



工程指示 / 要求簡箋 ENGINEER INSTRUCTIONS(E.I.)

工程指示編號:	EI- 9394	修改版本:	G
	HK- 0134		
工程編號:	J 861	工程名稱:	己連拿利
收件人:	生統/技術部	發件人:	細佬
工程項目:	平台位置後加鋁板和隔柵需要製作加工圖	日期:	24/03/2026

<input type="checkbox"/> 原合約工程包	<input type="checkbox"/> 原合約工程加 / 減賬 QT-	<input type="checkbox"/> 新工程報價 QT-
---------------------------------	--	------------------------------------

信件批核號碼/圖紙參考編號:	批核模具圖紙編號:
客戶指示附件:	管理內部批簽署:

<input type="checkbox"/> 初步鋁料 B.M.	<input type="checkbox"/> 加工拆圖, 然後生產	<input type="checkbox"/> 尺寸表
<input type="checkbox"/> 正式鋁料 B.M.	<input type="checkbox"/> 技術上資料/指示	<input type="checkbox"/> 報價
<input type="checkbox"/> 配件 B.M.	<input type="checkbox"/> 樣辦或貨品說明書	<input type="checkbox"/> 分判合約
<input type="checkbox"/> 其他:		

內容: 給技術部: 請按附頁資料製作有關的加工圖, 計算配件和鋁型材BM。 備注: 大明3月12日通知 CAD文件在以下位置 J:\midi_sharepoint\Public\to_china\謝永林\J861\EI9394G_HK0134_CAD
完成上列要求日期: 19/03/2026

國內

<input type="checkbox"/> 生產技術總監	<input type="checkbox"/> 連附件	<input checked="" type="checkbox"/> 技術部	<input checked="" type="checkbox"/> 連附件	<input type="checkbox"/> 生產部	<input type="checkbox"/> 連附件
<input type="checkbox"/> 採購部	<input type="checkbox"/> 連附件	<input type="checkbox"/> 生產統籌部	<input type="checkbox"/> 連附件	<input type="checkbox"/> 報關組	<input type="checkbox"/> 連附件
<input type="checkbox"/> 質檢部	<input type="checkbox"/> 連附件	<input type="checkbox"/> 會計部	<input type="checkbox"/> 連附件	<input type="checkbox"/> 機械設計部	<input type="checkbox"/> 連附件
<input type="checkbox"/> 香港辦	<input type="checkbox"/> 連附件	<input type="checkbox"/> 其他:			

香港

<input type="checkbox"/> 行政部	<input type="checkbox"/> 連附件	<input type="checkbox"/> 會計部	<input type="checkbox"/> 連附件	<input type="checkbox"/> 統籌部	<input type="checkbox"/> 連附件	<input type="checkbox"/> 工程部	<input type="checkbox"/> 連附件
<input type="checkbox"/> 採購部	<input type="checkbox"/> 連附件	<input type="checkbox"/> QS部	<input type="checkbox"/> 連附件	<input type="checkbox"/> 地盤管理	<input type="checkbox"/> 連附件	<input type="checkbox"/> 維修部	<input type="checkbox"/> 連附件

*發件人簽署:	*組別成員批核簽署:
傳遞編號:	項目經理簽署: 

DRAWING SUBMISSION REGISTER

PROJECT : PROPOSED DEVELOPMENT AT NOS. 3-6 GLENEALY, CENTRAL, HONG KONG TITLE : SHOPDRAWING FOR PARTIAL ELEVATION CLADDING AND FINS AT PODIUM HORIZONTAL DETAIL FOR Pipe Duct Cladding	DATE OF ISSUE								SUBMISSION STATE <small>(FOR B.D / A.S.D)</small>			SUBMISSION STATE <small>(FOR CLIENT / CONSULTANT)</small>			SUBMISSION STATE <small>(FOR ARCHITECT)</small>			FABRICATION / CONSTRUCTION STATE							
	ISSUE	01	2	4	6	08	09				AP - APPROVED			AP - APPROVED			AP - APPROVED			ISSUE TO CHINA OFFICE		ISSUE TO SITE		ISSUE TO SUB-CONTRACTOR	
	DAY	10	15	09	19	16	12				AC - APPROVED SUB. TO CONDITION			AC - APPROVED SUB. TO CONDITION			AC - APPROVED SUB. TO CONDITION								
	MONTH	08	05	09	12	02	03				NA - NOT APPROVED			NA - NOT APPROVED			NA - NOT APPROVED								
	YEAR	25	25	25	25	26	26																		

DRAWING TITLE	DWG. NO.	REVISIONS								COMMENT DATE	REV.	STATE	COMMENT DATE	REV.	STATE	COMMENT DATE	REV.	STATE	REV.	DATE	REV.	DATE	REV.	DATE
COVERPAGE	J861-AF-000																							
DRAWING LIST	J861-AF-001																							
PARTIAL ELEVATION CLADDING AND FINS AT PODIUM	J861-AF-EL103																							
PARTIAL SECTION CLADDING AND FINS AT PODIUM	J861-AF-SE103																							
PARTIAL SECTION CLADDING AND FINS AT PODIUM	J861-AF-SE104																							
PARTIAL SECTION CLADDING AND FINS AT PODIUM	J861-AF-SE105																							
SECTION DETAILS	J861-AF-DT136	/	/	/	/	/	/	/	/															
SECTION DETAILS	J861-AF-DT137	/	/	/	/	/	/	/	/															
SECTION DETAILS	J861-AF-DT138	/	/	/	/	/	/	/	/															
SECTION DETAILS	J861-AF-DT139	/	/	/	/	/	/	/	/															
SECTION DETAILS	J861-AF-DT140	/	/	/	/	/	/	/	/															
SECTION DETAILS	J861-AF-DT141	/	/	/	/	/	/	/	/															
SECTION DETAILS	J861-AF-DT142	/	/	/	/	/	/	/	/															
SECTION DETAILS	J861-AF-DT143	/	/	/	/	/	/	/	/															
SECTION DETAILS	J861-AF-DT144	/	/	/	/	/	/	/	/															
SECTION DETAILS	J861-AF-DT145	/	/	/	/	/	/	/	/															
SECTION DETAILS	J861-AF-DT146	/	/	/	/	/	/	/	/															

B.D. REF :

CLIENT :


 Pacific Century
 Premium Developments
 盈科大衍地產發展

ARCHITECT :

 WONG TUNG & PARTNERS LIMITED
 ARCHITECTS & PLANNERS

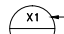
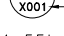
MAIN CONTRACTOR :

 顯利工程有限公司
 HIEN LEE ENGINEERING CO., LTD.

STRUCTURAL ENGINEER :

 SYW & ASSOCIATES LTD.
 CHARITISED ENGINEERS & AUTHORIZED PERSONS
 邵賢偉建築工程師

FACADE CONSULTANT:

NOTE :
 1. ALL DIMENSIONS ARE IN mm.
 2. ALL ELEVATIONS ARE VIEWED FROM OUTSIDE.
 3. ALL DIMENSIONS TO BE VERIFIED ON SITE BEFORE FABRICATION.

LEGEND :
 x1 --- DETAIL MARK NO.
 X001 --- REFER SHEET NO.

1. F.F.L. --- FINISHED FLOOR LEVEL
 2. S.F.L. --- STRUCTURAL FLOOR LEVEL
 3. (R) --- REVERSED DETAIL

NO.	DATE	REVISED	BY
-----	------	---------	----

JOB NO. : J-861

PROJECT : PROPOSED RESIDENTIAL DEVELOPMENT AT NOS. 3-6 GLENEALY, CENTRAL, HONG KONG

TITLE : DRAWING LIST 2

DATE : 26-03-2025 SCALE : 1:***

DRAWN BY : CHECKED BY :


美特鋁質有限公司
 MIDI ALUMINIUM FABRICATOR LTD.
 Units 6-8, Sunroy Industrial Centre, 1/F
 610 Cha Kwo Ling Road, Kowloon
 Tel:23489211-4 Fax:(852)27727666

DWG NO. : J861-AF-003 REV. : -

PROJECT :

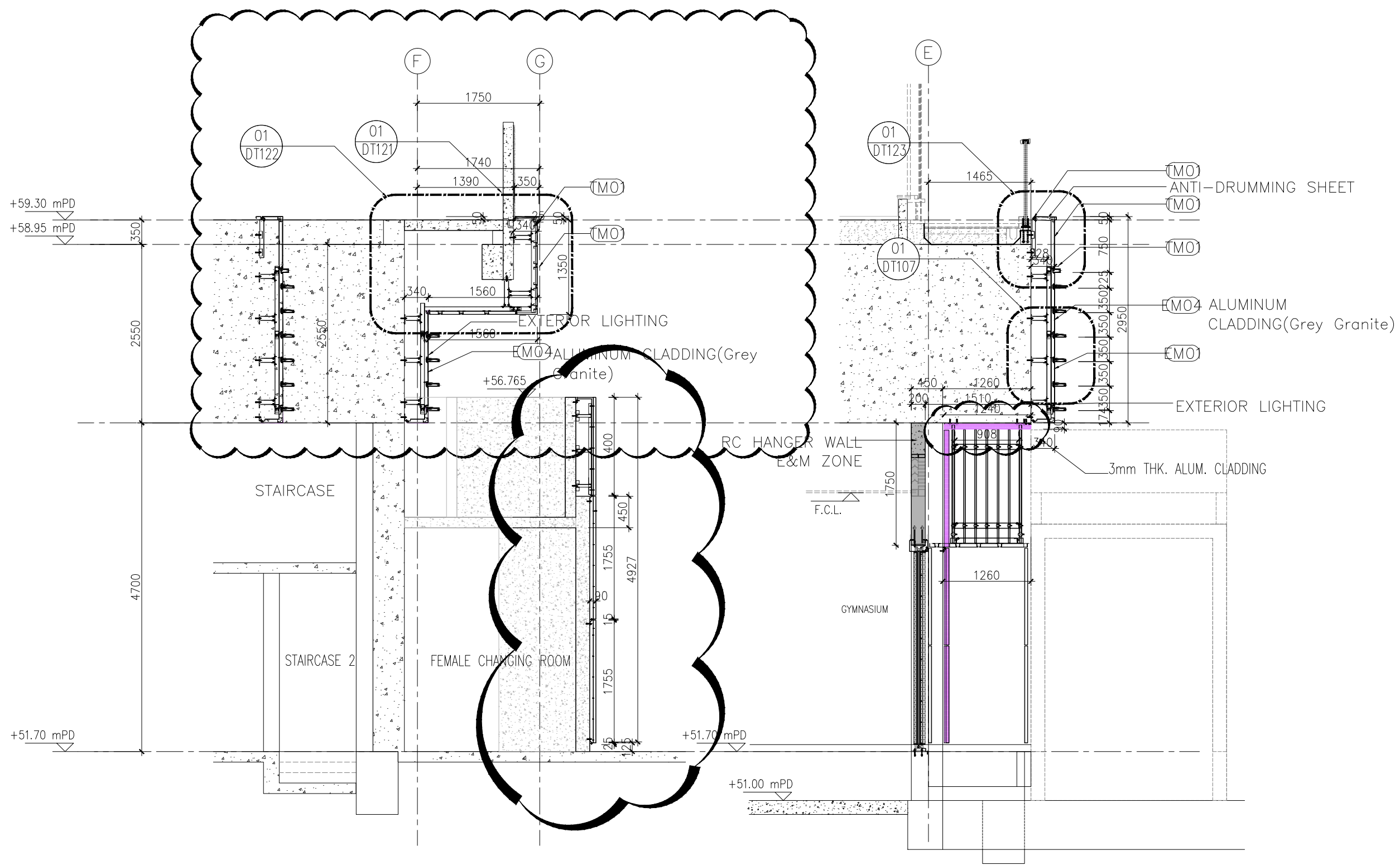
PROPOSED DEVELOPMENT AT NOS. 3-6 GLENEALY, CENTRAL, HONG KONG

SHOP DRAWING FOR
ALUM. FEATURE AND CLADDING
AT PODIUM (ALUM .A/C GRILLES)

DATE : 12 - March - 2026



Units 6-8, Sunray Industrial Centre, 1/F
610 Cha Kwo Ling Road, Kowloon
Tel:23489211-4 Fax:(852)27727666



01 PODIUM SECTION 7
1:60@A3

02 PODIUM SECTION 8
1:60@A3

B.D. REF :

WONG TUNG & PARTNERS LTD.	
APPROVED	
APPROVED AS NOTED	
APPROVED AS NOTED & RESUBMIT	
RESUBMIT	
NO COMMENT	
REFER OTHER CONSULTANT'S COMMENTS	
Reviewed for compliance with the design intent. Comments made shall apply to all similar conditions & details, not just the ones cited.	
The approval shall not be construed as relieving the contractor for compliance with the contract documents & requirements.	
Reviewed By	Date

CLIENT :
 Pacific Century Premium Developments
 盈科大衍地產發展

ARCHITECT :
 WONG TUNG & PARTNERS LIMITED
 ARCHITECTS & PLANNERS

MAIN CONTRACTOR :
 顯利工程有限公司
 HIEN LEE ENGINEERING CO., LTD.

STRUCTURAL ENGINEER :
 SYW & ASSOCIATES LTD.
 蘇賢偉建築工程師

FAÇADE CONSULTANT:

NOTE :

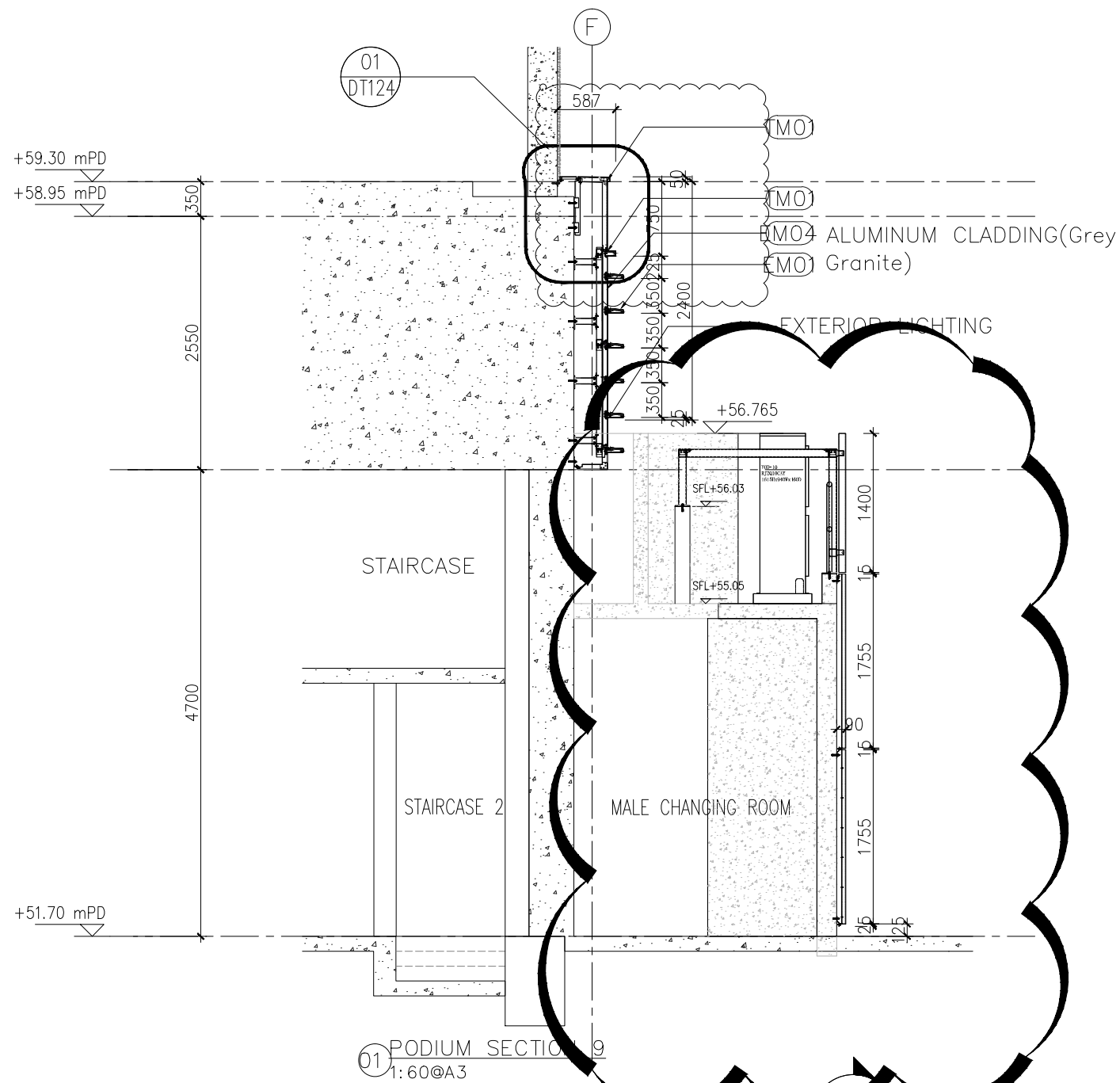
1. ALL DIMENSIONS ARE IN mm.
2. ALL ELEVATIONS ARE VIEWED FROM OUTSIDE.
3. ALL DIMENSIONS TO BE VERIFIED ON SITE BEFORE FABRICATION.

LEGEND :

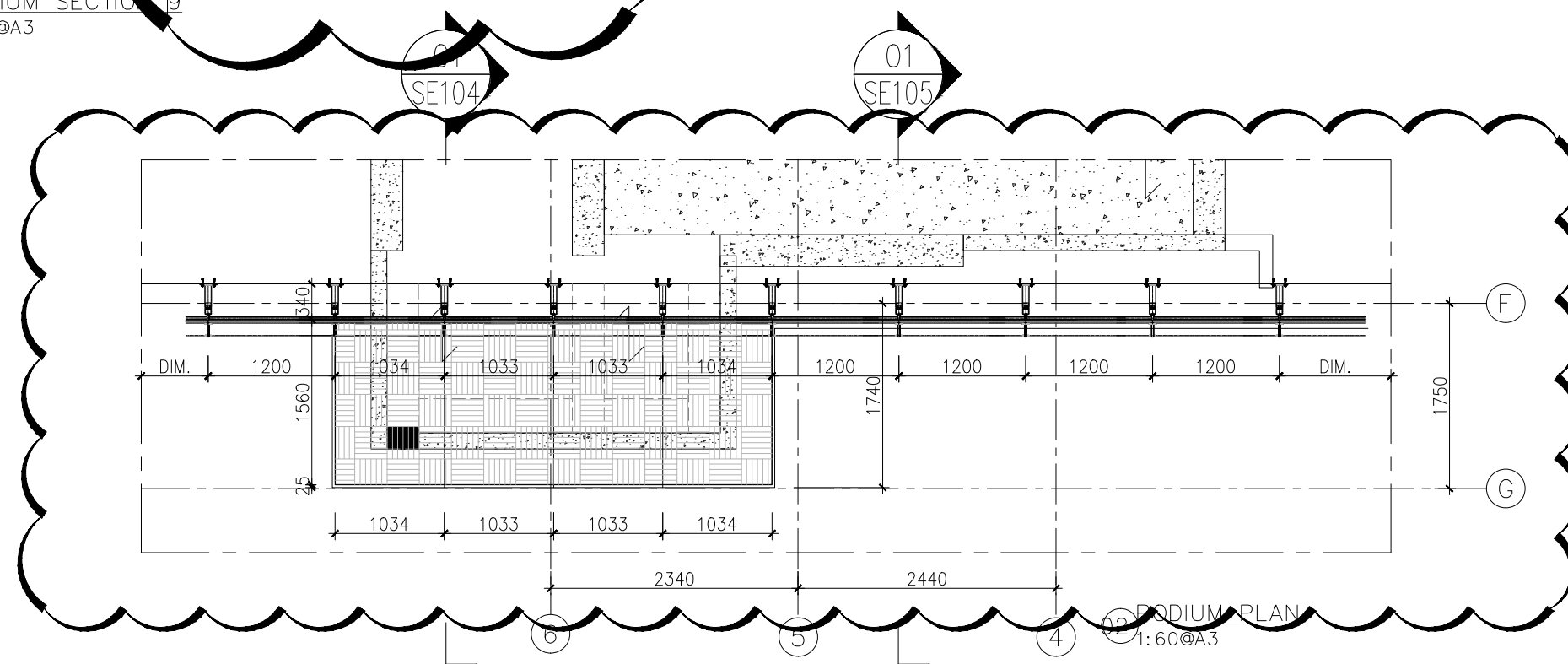
(X1) — DETAIL MARK NO.
 (X001) — REFER SHEET NO.

1. F.F.L. — FINISHED FLOOR LEVEL
2. S.F.L. — STRUCTURAL FLOOR LEVEL
3. (R) — REVERSED DETAIL

NO.	DATE	REVISED	BY
JOB NO. : J-861			
PROJECT : PROPOSED RESIDENTIAL DEVELOPMENT AT NOS. 3-6 GLENEALY, CENTRAL, HONG KONG			
TITLE : PARTIAL SECTION CLADDING AND FINS AT PODIUM			
DATE : 26-03-2025	SCALE : 1:60@A3		
DRAWN BY :	CHECKED BY :		
美特鋁質有限公司 MIDI ALUMINIUM FABRICATOR LTD. Units 6-8, Sunray Industrial Centre, 1/F 610 Cha Kwo Ling Road, Kowloon Tel:23489211-4 Fax:(852)2727666			
DWG NO. : J861-AF-SE104	REV. :		



01 PODIUM SECTION 9
1:60@A3



02 PODIUM PLAN
1:60@A3

B.D. REF :

WONG TUNG & PARTNERS LTD.	
APPROVED	
APPROVED AS NOTED	
APPROVED AS NOTED & RESUBMIT	
RESUBMIT	
NO COMMENT	
REFER OTHER CONSULTANT'S COMMENTS	
Reviewed for compliance with the design intent. Comments made shall apply to all similar conditions & details, not just the ones cited. The approval shall not be construed as relieving the contractor for compliance with the contract documents & requirements.	
Reviewed By	Date

CLIENT :
 Pacific Century Premium Developments
 盈科大衍地產發展

ARCHITECT :
 WONG TUNG & PARTNERS LIMITED
 ARCHITECTS & PLANNERS

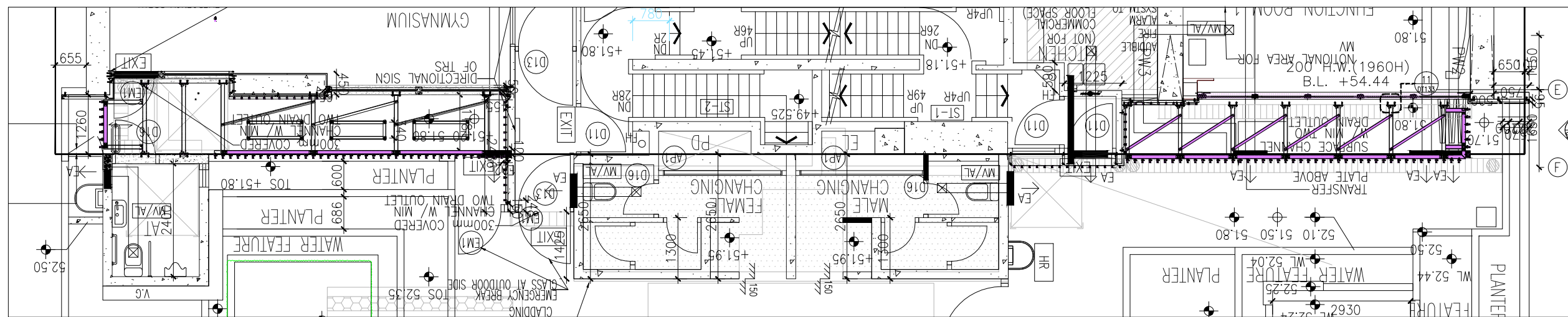
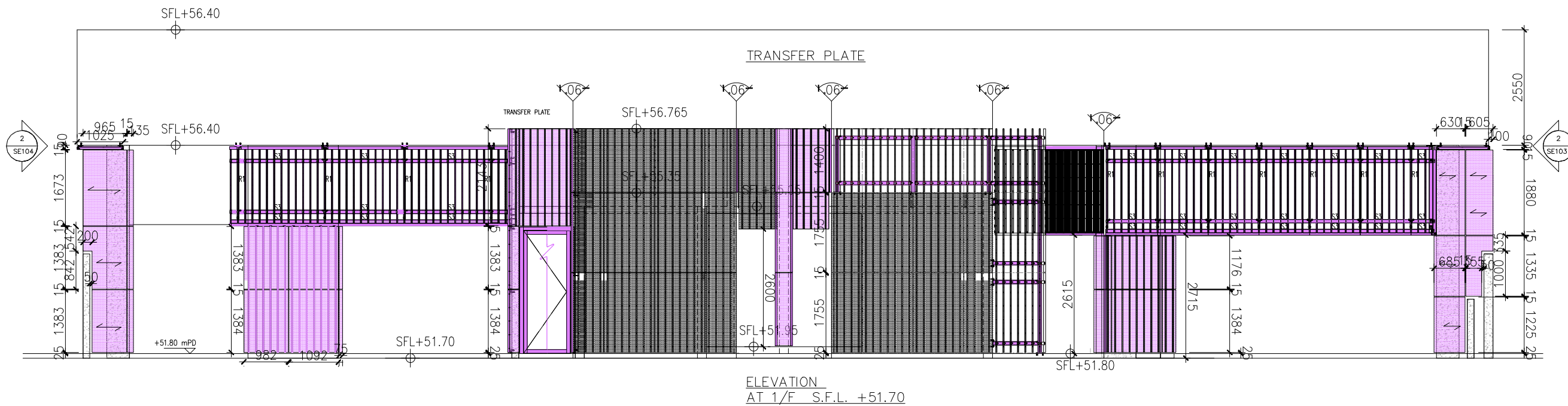
MAIN CONTRACTOR :
 顯利工程有限公司
 HIEN LEE ENGINEERING CO., LTD.

STRUCTURAL ENGINEER :
 SYW & ASSOCIATES LTD.
 蘇賢偉建築工程顧問有限公司

FACADE CONSULTANT:

- NOTE :
1. ALL DIMENSIONS ARE IN mm.
 2. ALL ELEVATIONS ARE VIEWED FROM OUTSIDE.
 3. ALL DIMENSIONS TO BE VERIFIED ON SITE BEFORE FABRICATION.
- LEGEND :
- (X1) — DETAIL MARK NO.
 - (X001) — REFER SHEET NO.
 - 1. F.F.L. — FINISHED FLOOR LEVEL
 - 2. S.F.L. — STRUCTURAL FLOOR LEVEL
 - 3. (R) — REVERSED DETAIL

NO.	DATE	REVISED	BY
JOB NO. : J-861			
PROJECT : PROPOSED RESIDENTIAL DEVELOPMENT AT NOS. 3-6 GLENEALY, CENTRAL, HONG KONG			
TITLE : PARTIAL SECTION CLADDING AND FINS AT PODIUM			
DATE : 26-03-2025		SCALE : 1:60@A3	
DRAWN BY :		CHECKED BY :	
美特鋁質有限公司 MIDI ALUMINIUM FABRICATOR LTD. Units 6-8, Sunray Industrial Centre, 1/F 610 Cha Kwo Ling Road, Kowloon Tel:23489211-4 Fax:(852)2727666			
DWG NO. : J861-AF-SE105			REV. :



B.D. REF :

WONG TUNG & PARTNERS LTD.	
APPROVED	
APPROVED AS NOTED	
APPROVED AS NOTED & RESUBMIT	
RESUBMIT	
NO COMMENT	
REFER OTHER CONSULTANT'S COMMENTS	
Reviewed for compliance with the design intent. Comments made shall apply to all similar conditions & details, not just the ones cited. The approval shall not be construed as relieving the contractor for compliance with the contract documents & requirements.	
Reviewed By	Date

CLIENT : Pacific Century Premium Developments
盈科大衍地產發展

ARCHITECT : WONG TUNG & PARTNERS LIMITED ARCHITECTS & PLANNERS

MAIN CONTRACTOR : 顯利工程有限公司
HIEN LEE ENGINEERING CO., LTD.

STRUCTURAL ENGINEER : SYW & ASSOCIATES LTD.
SYW & ASSOCIATES LTD. 蘇賢偉建築工程顧問

FAÇADE CONSULTANT:

- NOTE :
1. ALL DIMENSIONS ARE IN mm.
 2. ALL ELEVATIONS ARE VIEWED FROM OUTSIDE.
 3. ALL DIMENSIONS TO BE VERIFIED ON SITE BEFORE FABRICATION.
- LEGEND :
- (X1) --- DETAIL MARK NO.
 - (X001) --- REFER SHEET NO.
1. F.F.L. --- FINISHED FLOOR LEVEL
 2. S.F.L. --- STRUCTURAL FLOOR LEVEL
 3. (R) --- REVERSED DETAIL

NO.	DATE	REVISED	BY

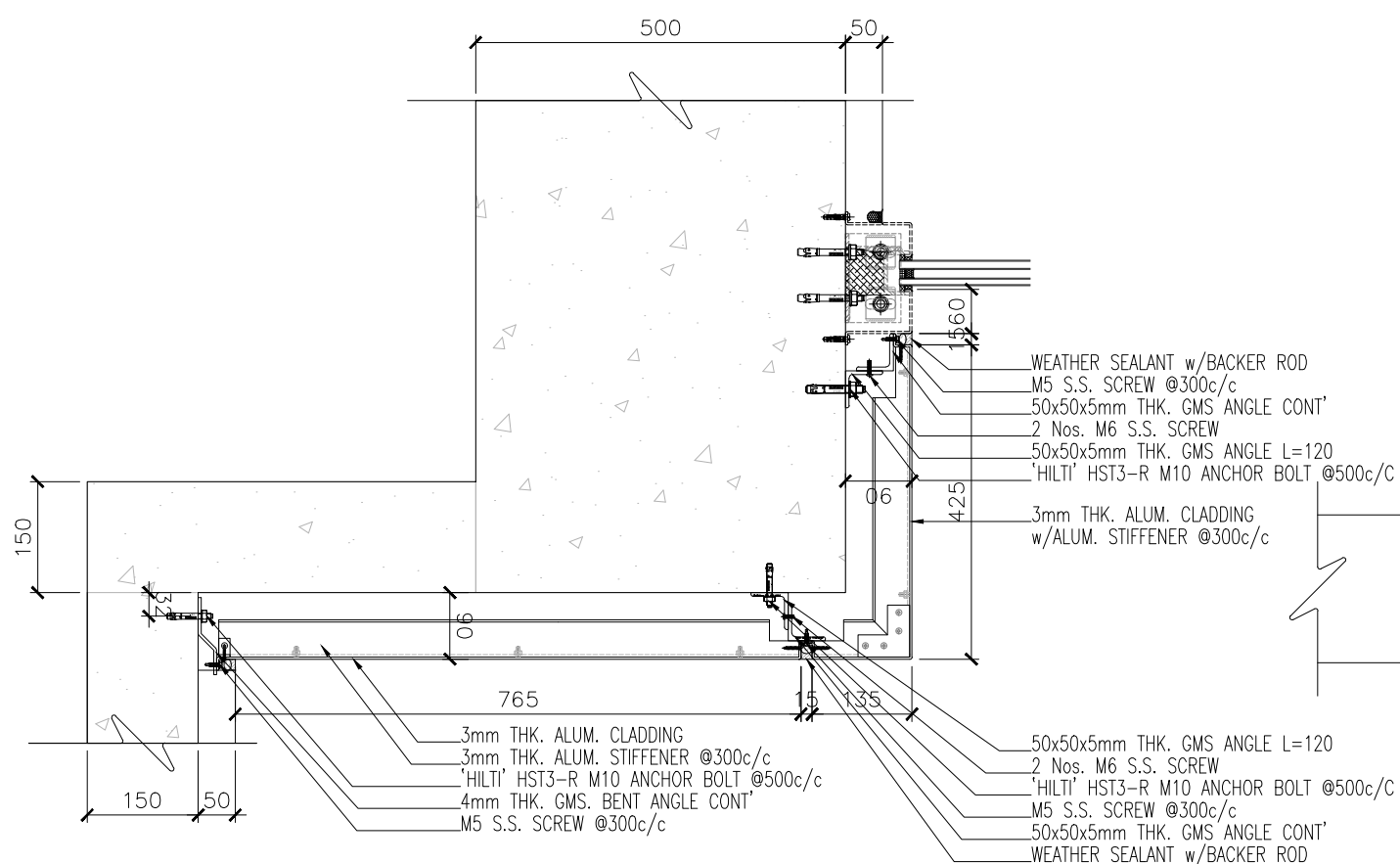
JOB NO. : J-861
PROJECT : PROPOSED RESIDENTIAL DEVELOPMENT AT NOS. 3-6 GLENEALY, CENTRAL, HONG KONG

TITLE : SECTION DETAILS

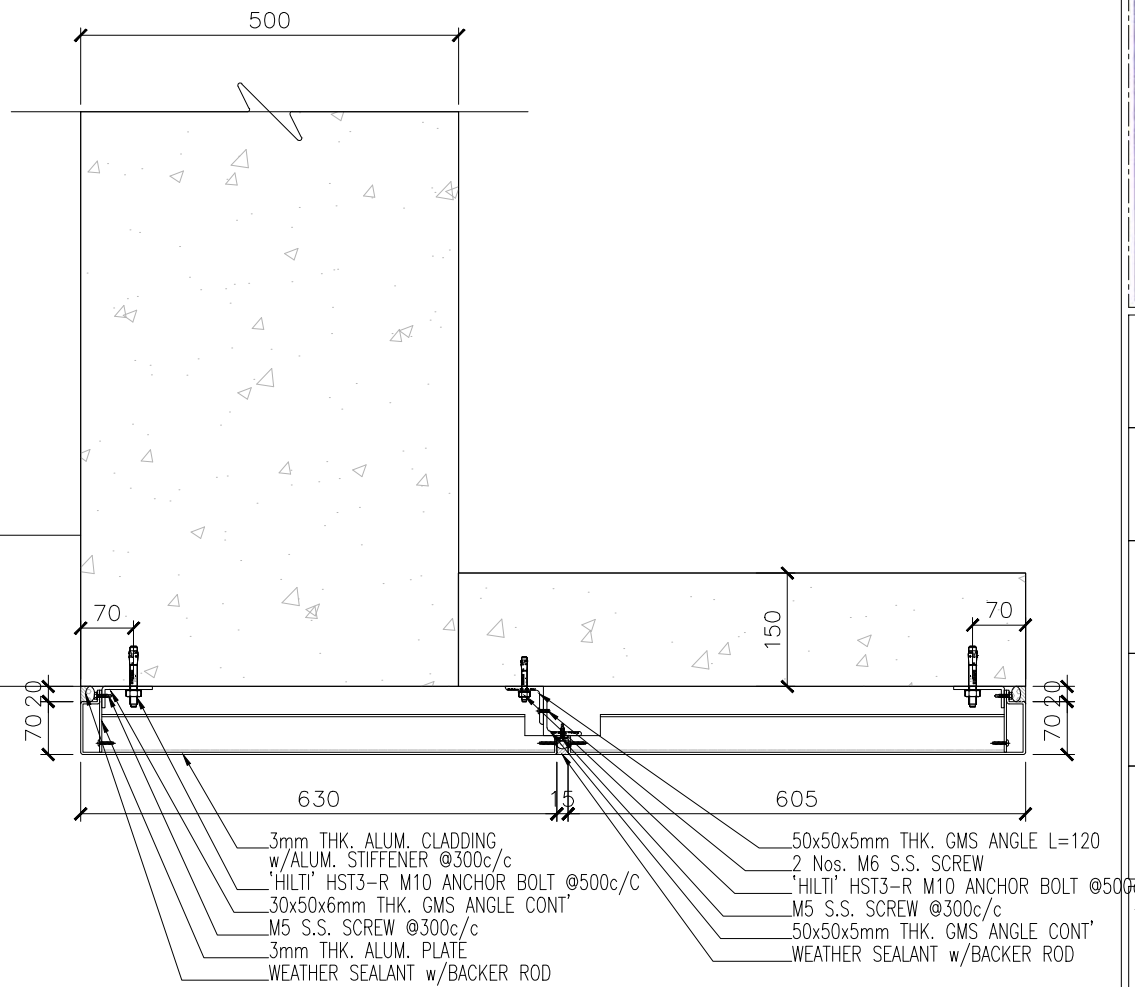
DATE : 26-03-2025 SCALE : 1:60@A3
DRAWN BY : CHECKED BY :

MIDI ALUMINIUM FABRICATOR LTD.
Units 6-8, Sunray Industrial Centre, 1/F
610 Cha Kwo Ling Road, Kowloon
Tel:23489211-4 Fax:(852)2727666

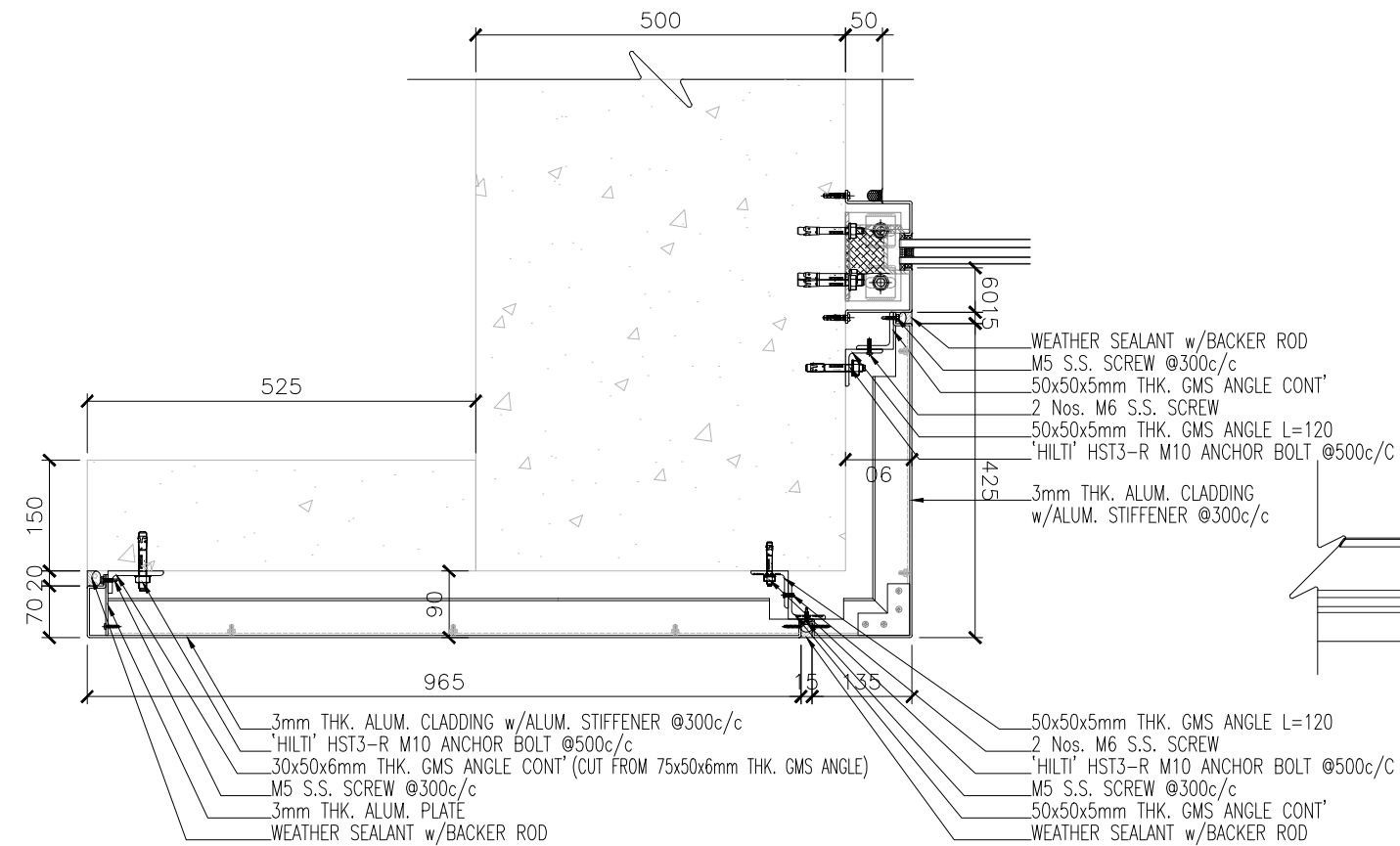
DWG NO. : JB61-AF-DT135 REV. :



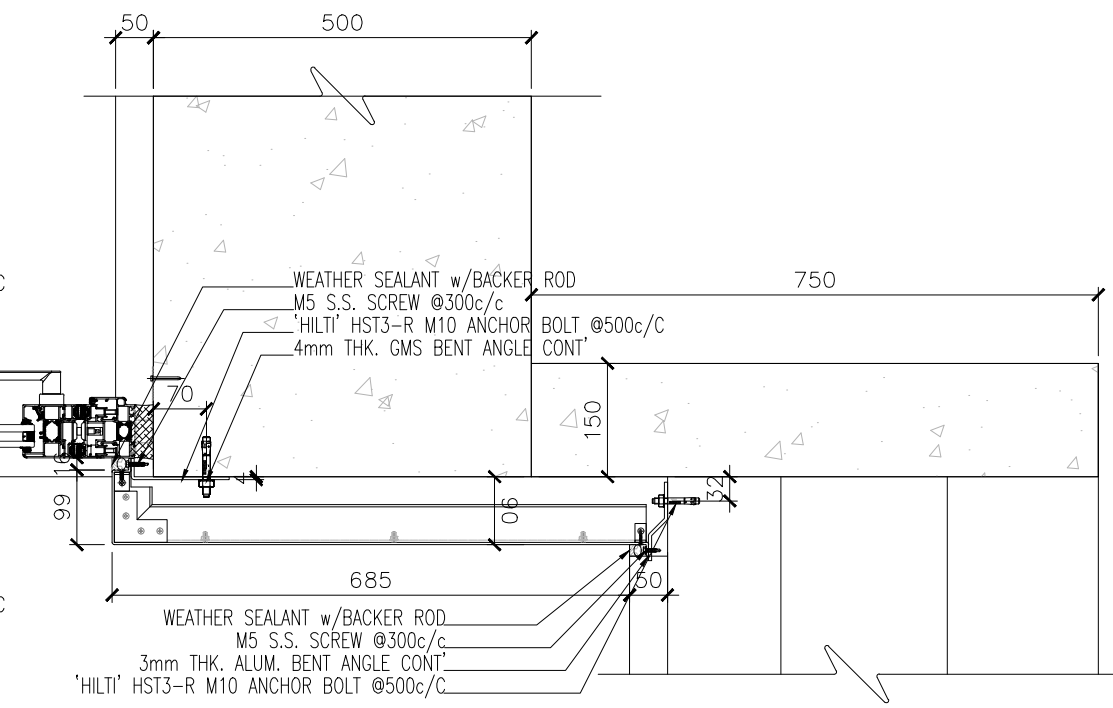
1 TYPICAL DETAILS



3 TYPICAL DETAILS



2 TYPICAL DETAILS



4 TYPICAL DETAILS

B.D. REF :

WONG TUNG & PARTNERS LTD.	
APPROVED	
APPROVED AS NOTED	
APPROVED AS NOTED & RESUBMIT	
RESUBMIT	
NO COMMENT	
REFER OTHER CONSULTANT'S COMMENTS	
Reviewed for compliance with the design intent. Comments made shall apply to all similar conditions & details, not just the ones cited. The approval shall not be construed as relieving the contractor for compliance with the contract documents & requirements.	
Reviewed By	Date

CLIENT : Pacific Century Premium Developments
盈科大衍地產發展

ARCHITECT : WONG TUNG & PARTNERS LIMITED
ARCHITECTS & PLANNERS

MAIN CONTRACTOR : 顯利工程有限公司
HIEN LEE ENGINEERING CO., LTD.

STRUCTURAL ENGINEER : SYW & ASSOCIATES LTD.
SYW & ASSOCIATES LTD.

FAÇADE CONSULTANT :

NOTE :

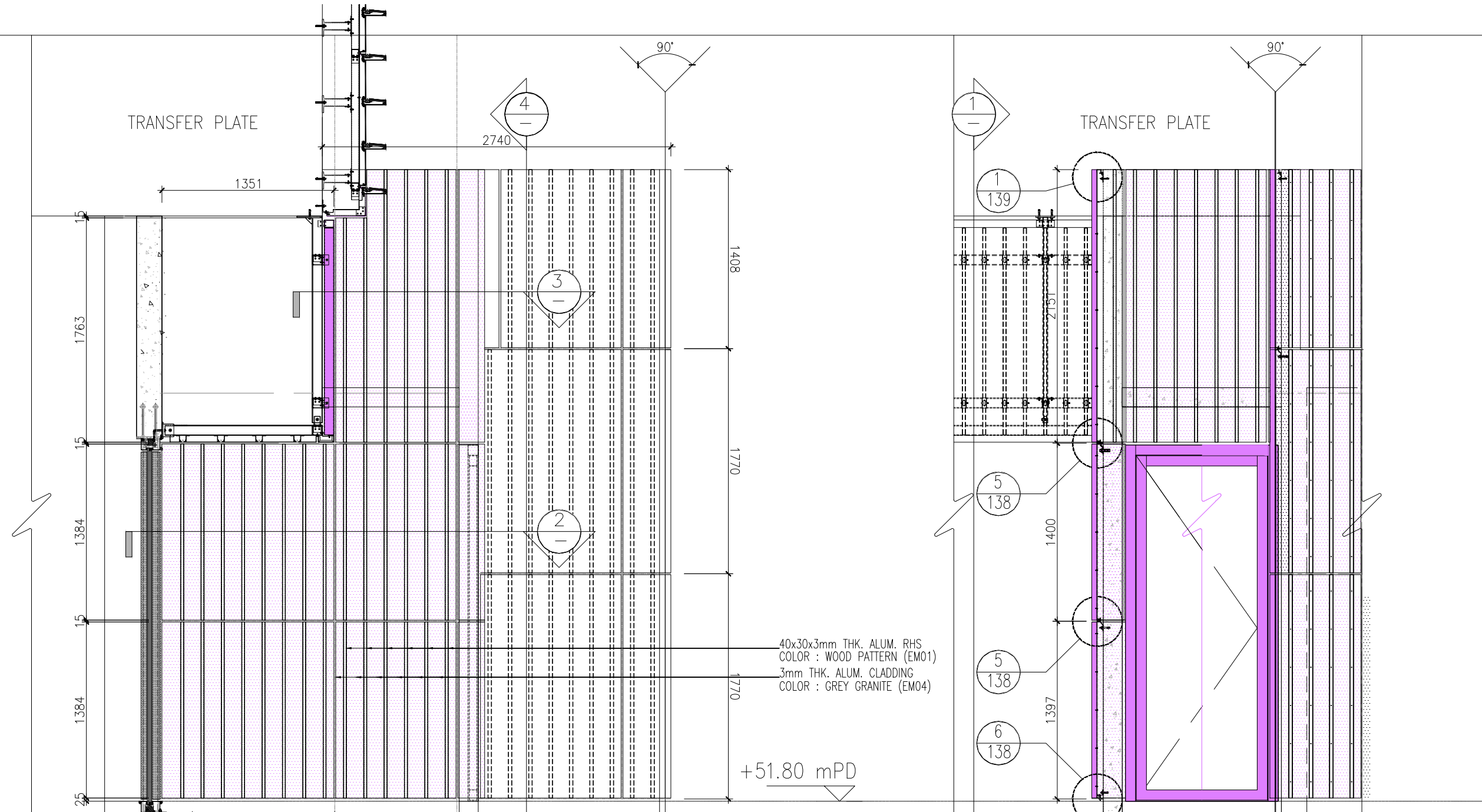
- ALL DIMENSIONS ARE IN mm.
- ALL ELEVATIONS ARE VIEWED FROM OUTSIDE.
- ALL DIMENSIONS TO BE VERIFIED ON SITE BEFORE FABRICATION.

LEGEND :

x1 - DETAIL MARK NO.
X001 - REFER SHEET NO.

- F.F.L. -- FINISHED FLOOR LEVEL
- S.F.L. -- STRUCTURAL FLOOR LEVEL
- (R) -- REVERSED DETAIL

NO.	DATE	REVISED	BY
JOB NO. : J-861			
PROJECT : PROPOSED RESIDENTIAL DEVELOPMENT AT NOS. 3-6 GLENEALY, CENTRAL, HONG KONG			
TITLE : SECTION DETAILS			
DATE : 26-03-2025		SCALE : 1:60@A3	
DRAWN BY :		CHECKED BY :	
<p>MIDI ALUMINIUM FABRICATOR LTD. Units 6-8, Sunray Industrial Centre, 1/F 610 Cha Kwo Ling Road, Kowloon Tel:23489211-4 Fax:(852)2727666</p>			
DWG NO. : J861-AF-DT136			REV. :



1 TYPICAL DETAILS

2 TYPICAL DETAILS

3 TYPICAL DETAILS

4 TYPICAL DETAILS

B.D. REF :

WONG TUNG & PARTNERS LTD.	
APPROVED	
APPROVED AS NOTED	
APPROVED AS NOTED & RESUBMIT	
RESUBMIT	
NO COMMENT	
REFER OTHER CONSULTANT'S COMMENTS	
Reviewed for compliance with the design intent, Comments made shall apply to all similar conditions & details, not just the ones cited. The approval shall not be construed as relieving the contractor for compliance with the contract documents & requirements.	
Reviewed By	Date

CLIENT :
 Pacific Century Premium Developments
 盈科大衍地產發展

ARCHITECT :
 WONG TUNG & PARTNERS LIMITED
 ARCHITECTS & PLANNERS

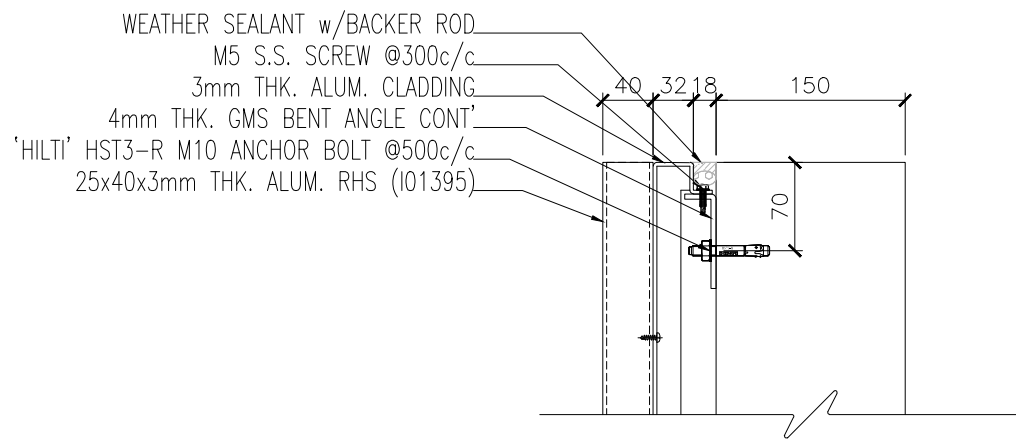
MAIN CONTRACTOR :
 顯利工程有限公司
 HIEN LEE ENGINEERING CO., LTD.

STRUCTURAL ENGINEER :
 SYW & ASSOCIATES LTD.
 邵賢偉建築工程師

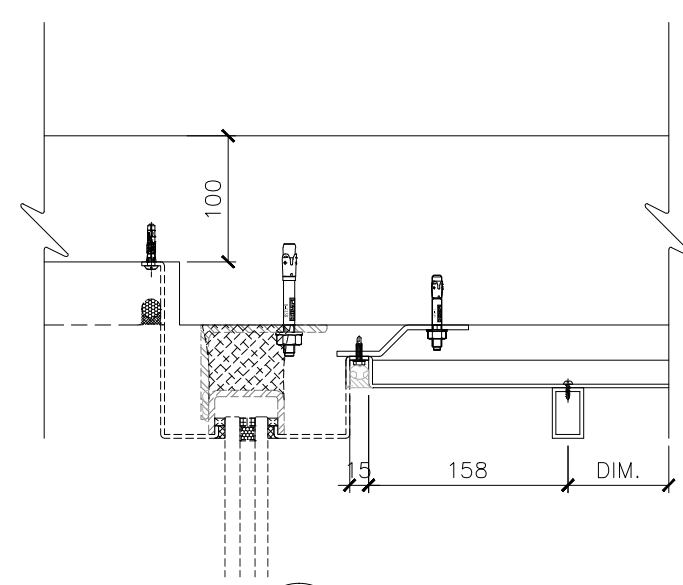
FACADE CONSULTANT:

- NOTE :
1. ALL DIMENSIONS ARE IN mm.
 2. ALL ELEVATIONS ARE VIEWED FROM OUTSIDE.
 3. ALL DIMENSIONS TO BE VERIFIED ON SITE BEFORE FABRICATION.
- LEGEND :
- (X1) — DETAIL MARK NO.
 - (X001) — REFER SHEET NO.
1. F.F.L. — FINISHED FLOOR LEVEL
 2. S.F.L. — STRUCTURAL FLOOR LEVEL
 3. (R) — REVERSED DETAIL

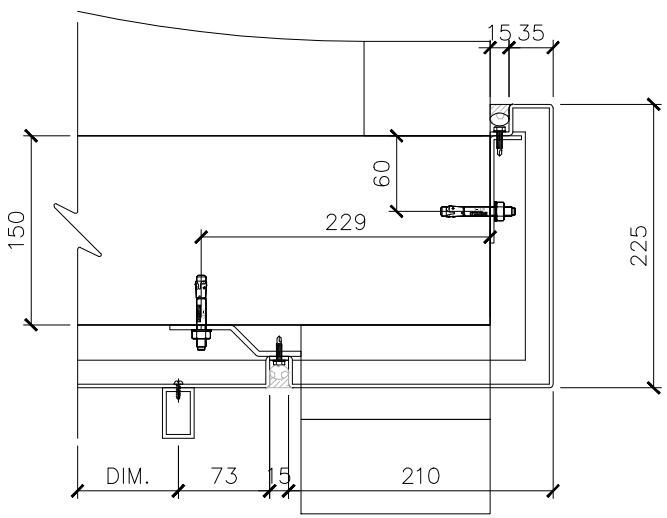
NO.	DATE	REVISED	BY
JOB NO. : J-861			
PROJECT : PROPOSED RESIDENTIAL DEVELOPMENT AT NOS. 3-6 GLENEALY, CENTRAL, HONG KONG			
TITLE : SECTION DETAILS			
DATE : 26-03-2025		SCALE : 1:60@A3	
DRAWN BY :		CHECKED BY :	
美特鋁質有限公司 MIDI ALUMINIUM FABRICATOR LTD. Units 6-8, Sunray Industrial Centre, 1/F 610 Cha Kwo Ling Road, Kowloon Tel:23489211-4 Fax:(852)2727666			
DWG NO. : J861-AF-DT137			REV. :



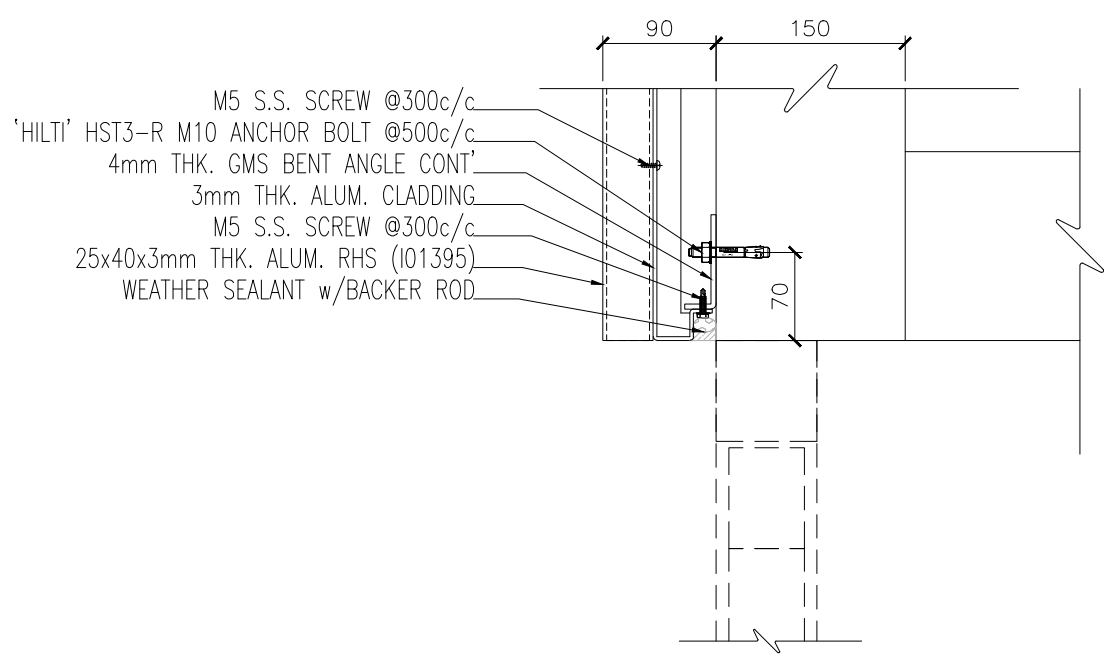
1 TYPICAL DETAILS



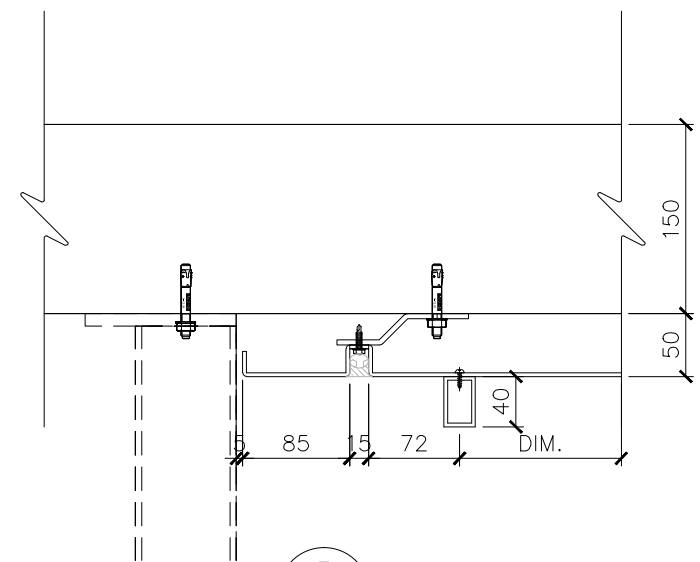
3 TYPICAL DETAILS



4 TYPICAL DETAILS



2 TYPICAL DETAILS



5 TYPICAL DETAILS

B.D. REF :

WONG TUNG & PARTNERS LTD.	
APPROVED	
APPROVED AS NOTED	
APPROVED AS NOTED & RESUBMIT	
RESUBMIT	
NO COMMENT	
REFER OTHER CONSULTANT'S COMMENTS	
Reviewed for compliance with the design intent. Comments made shall apply to all similar conditions & details, not just the ones cited. The approval shall not be construed as relieving the contractor for compliance with the contract documents & requirements.	
Reviewed By	Date

CLIENT :
 Pacific Century Premium Developments
 盈科大衍地產發展

ARCHITECT :
 WONG TUNG & PARTNERS LIMITED
 ARCHITECTS & PLANNERS

MAIN CONTRACTOR :
 顯利工程有限公司
 HIEN LEE ENGINEERING CO., LTD.

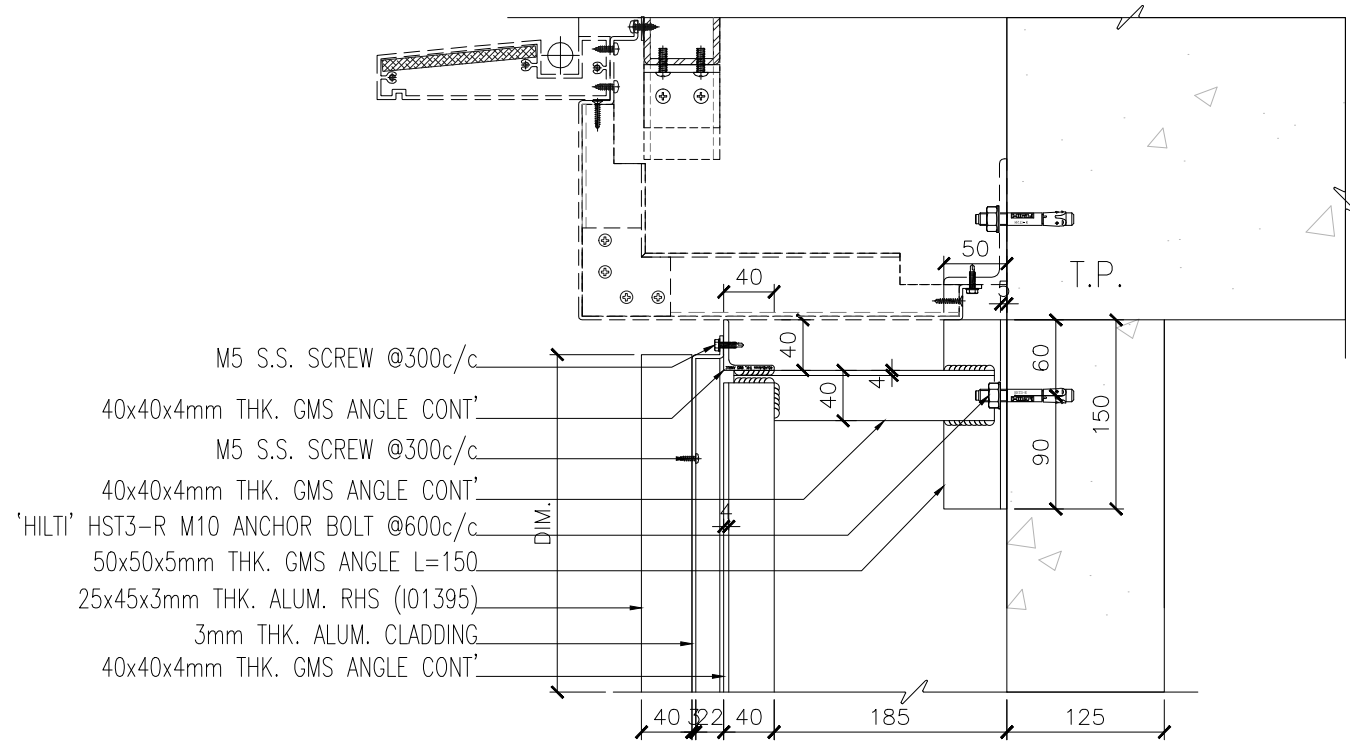
STRUCTURAL ENGINEER :
 SYW & ASSOCIATES LTD.
 邵賢偉建築工程顧問

FACADE CONSULTANT:

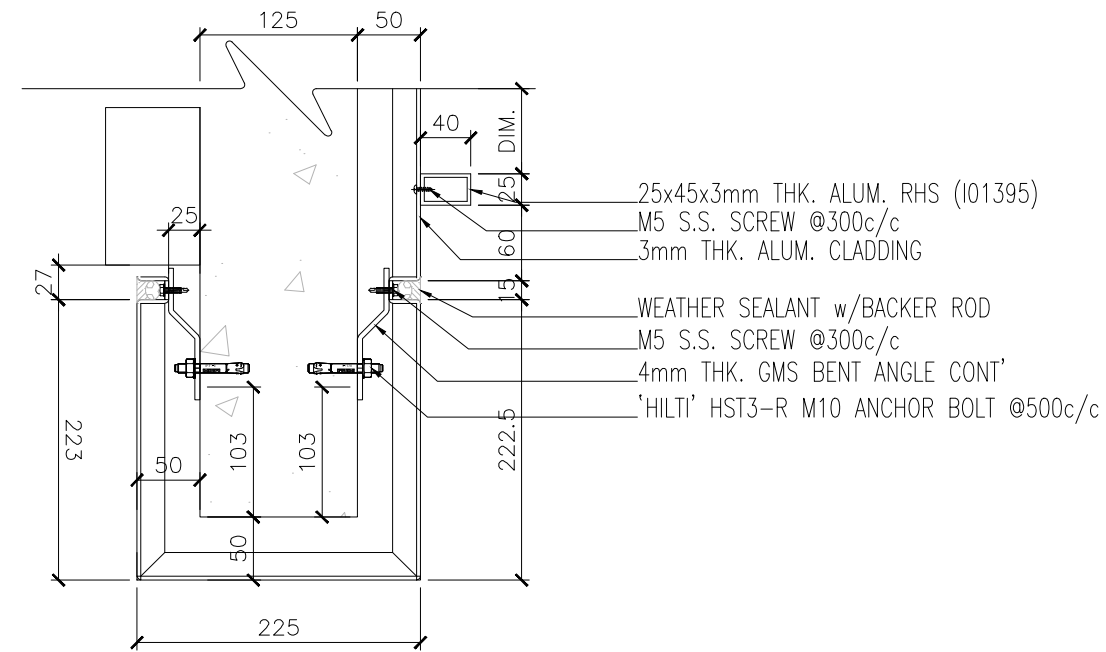
NOTE :
 1. ALL DIMENSIONS ARE IN mm.
 2. ALL ELEVATIONS ARE VIEWED FROM OUTSIDE.
 3. ALL DIMENSIONS TO BE VERIFIED ON SITE BEFORE FABRICATION.

LEGEND :
 x1 — DETAIL MARK NO.
 X001 — REFER SHEET NO.
 1. F.F.L. -- FINISHED FLOOR LEVEL
 2. S.F.L. -- STRUCTURAL FLOOR LEVEL
 3. (R) -- REVERSED DETAIL

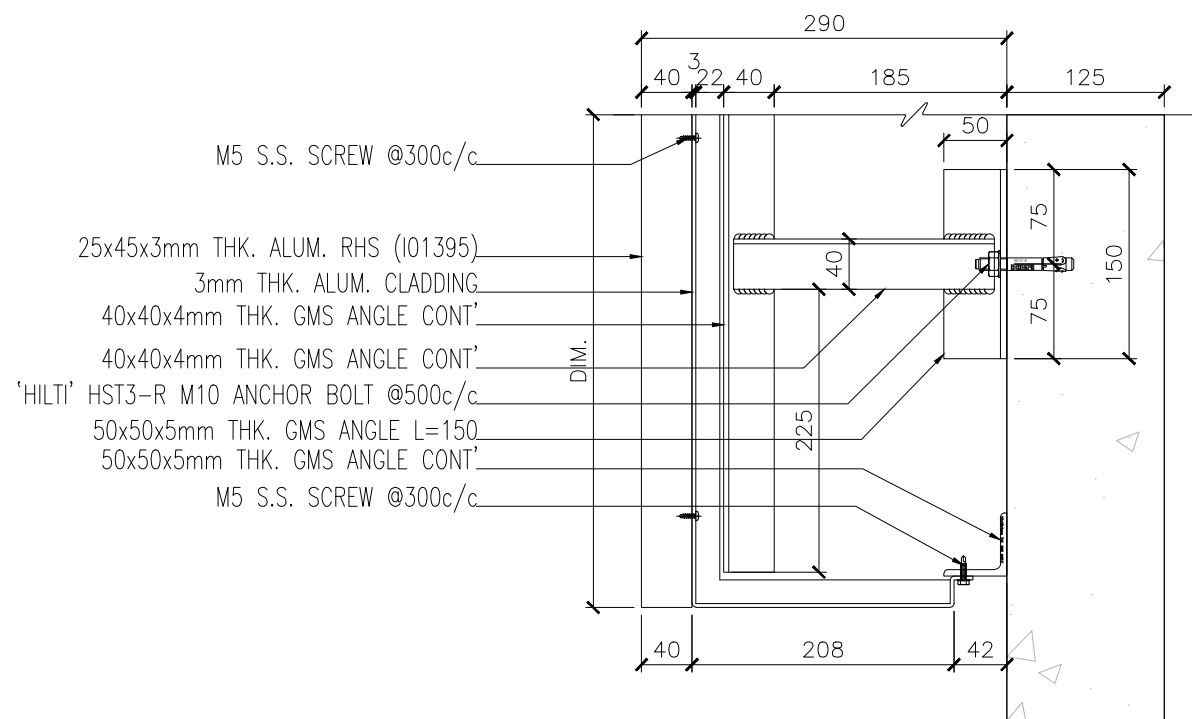
NO.	DATE	REVISED	BY
JOB NO. : J-861			
PROJECT : PROPOSED RESIDENTIAL DEVELOPMENT AT NOS. 3-6 GLENEALY, CENTRAL, HONG KONG			
TITLE : SECTION DETAILS			
DATE : 26-03-2025		SCALE : 1:60@A3	
DRAWN BY :		CHECKED BY :	
美特鋁質有限公司 MIDI ALUMINIUM FABRICATOR LTD. Units 6-8, Sunroy Industrial Centre, 1/F 610 Cha Kwo Ling Road, Kowloon Tel:23489211-4 Fax:(852)27727666			
DWG NO. : J861-AF-DT139			REV. :



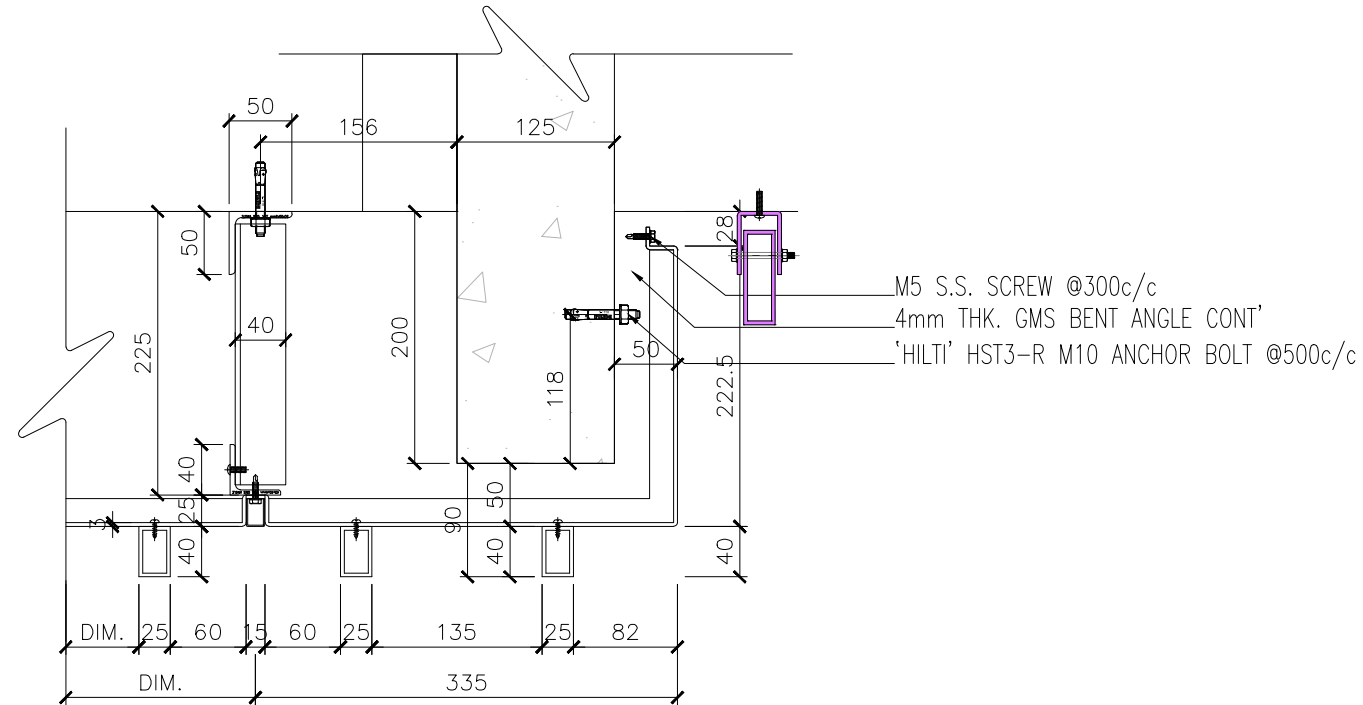
1 TYPICAL DETAILS



3 TYPICAL DETAILS



2 TYPICAL DETAILS



4 TYPICAL DETAILS

3mm THK. ALUM. CLADDING = COLOR : GREY GRANITE (EM04)
 25x45x3mm THK. ALUM. RHS (I01395) COLOR : WOOD PATTERN (EM01)

B.D. REF :

WONG TUNG & PARTNERS LTD.	
APPROVED	
APPROVED AS NOTED	
APPROVED AS NOTED & RESUBMIT	
RESUBMIT	
NO COMMENT	
REFER OTHER CONSULTANT'S COMMENTS	
Reviewed for compliance with the design intent. Comments made shall apply to all similar conditions & details, not just the ones cited.	
The approval shall not be construed as relieving the contractor for compliance with the contract documents & requirements.	
Reviewed By	Date

CLIENT : Pacific Century Premium Developments 盈科大衍地產發展

ARCHITECT : WONG TUNG & PARTNERS LIMITED ARCHITECTS & PLANNERS

MAIN CONTRACTOR : 顯利工程有限公司 HIEN LEE ENGINEERING CO., LTD.

STRUCTURAL ENGINEER : SYW & ASSOCIATES LTD. 蘇賢偉建築工程顧問

FAÇADE CONSULTANT:

- NOTE :
1. ALL DIMENSIONS ARE IN mm.
 2. ALL ELEVATIONS ARE VIEWED FROM OUTSIDE.
 3. ALL DIMENSIONS TO BE VERIFIED ON SITE BEFORE FABRICATION.
- LEGEND :
- (X1) — DETAIL MARK NO.
 - (X001) — REFER SHEET NO.
1. F.F.L. — FINISHED FLOOR LEVEL
 2. S.F.L. — STRUCTURAL FLOOR LEVEL
 3. (R) — REVERSED DETAIL

NO.	DATE	REVISED	BY

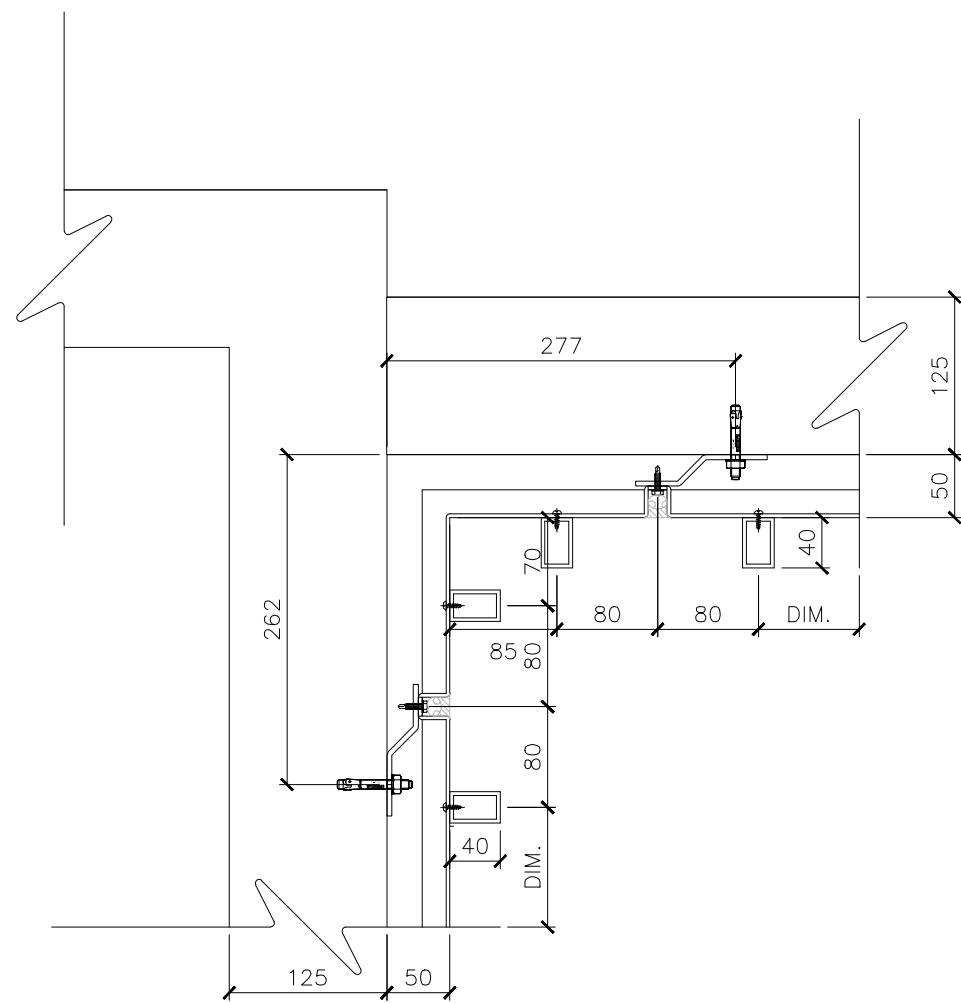
JOB NO. : J-861
 PROJECT : PROPOSED RESIDENTIAL DEVELOPMENT AT NOS. 3-6 GLENEALY, CENTRAL, HONG KONG

TITLE : SECTION DETAILS

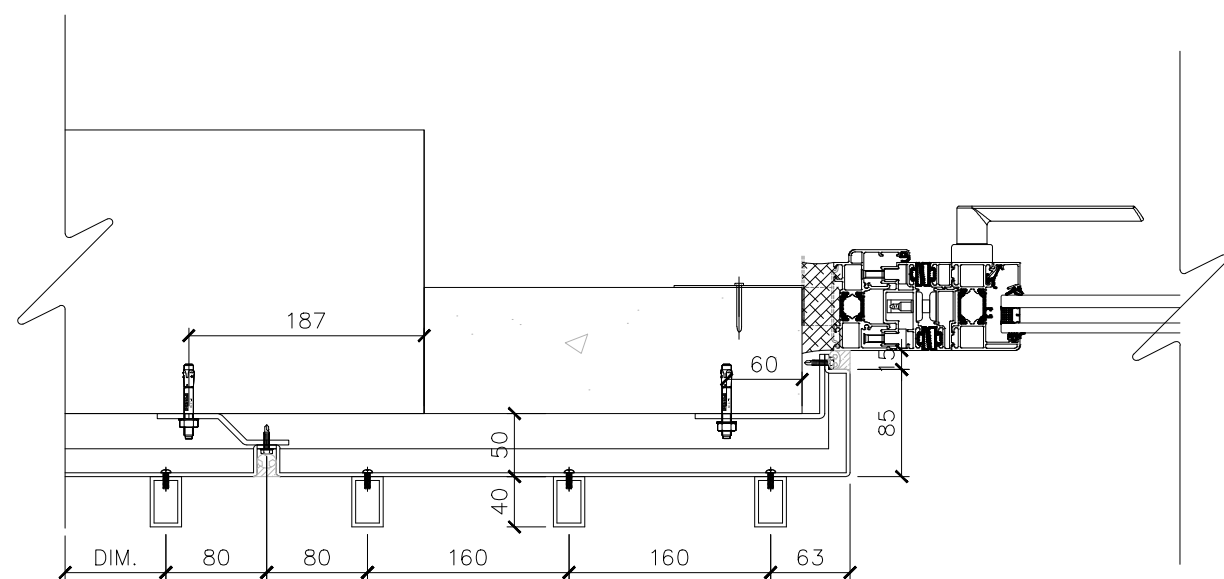
DATE : 26-03-2025 SCALE : 1:60@A3
 DRAWN BY : CHECKED BY :

MIDI ALUMINIUM FABRICATOR LTD.
 Units 6-8, Sunray Industrial Centre, 1/F
 610 Cha Kwo Ling Road, Kowloon
 Tel:23489211-4 Fax:(852)2727666

DWG NO. : JB61-AF-DT141 REV. :



1 TYPICAL DETAILS



2 TYPICAL DETAILS

3mm THK. ALUM. CLADDING = COLOR : GREY GRANITE (EM04)
 25x45x3mm THK. ALUM. RHS (I01395) COLOR : WOOD PATTERN (EM01)

B.D. REF :

WONG TUNG & PARTNERS LTD.	
APPROVED	
APPROVED AS NOTED	
APPROVED AS NOTED & RESUBMIT	
RESUBMIT	
NO COMMENT	
REFER OTHER CONSULTANT'S COMMENTS	
Reviewed for compliance with the design intent. Comments made shall apply to all similar conditions & details, not just the ones cited. The approval shall not be construed as relieving the contractor for compliance with the contract documents & requirements.	
Reviewed By	Date
()	()

CLIENT :

Pacific Century
 Premium Developments
 盈科大衍地產發展

ARCHITECT :

WONG TUNG & PARTNERS LIMITED
 ARCHITECTS & PLANNERS
WT

MAIN CONTRACTOR :

顯利工程有限公司
 HIEN LEE ENGINEERING CO., LTD.

STRUCTURAL ENGINEER :

SYW **SYW & ASSOCIATES LTD.**
 邵賢偉建築工程師

FACADE CONSULTANT:

NOTE :

1. ALL DIMENSIONS ARE IN mm.
2. ALL ELEVATIONS ARE VIEWED FROM OUTSIDE.
3. ALL DIMENSIONS TO BE VERIFIED ON SITE BEFORE FABRICATION.

LEGEND :

- (X1) — DETAIL MARK NO.
- (X001) — REFER SHEET NO.

1. F.F.L. -- FINISHED FLOOR LEVEL
2. S.F.L. -- STRUCTURAL FLOOR LEVEL
3. (R) -- REVERSED DETAIL

NO.	DATE	REVISED	BY
-----	------	---------	----

JOB NO. : J-861

PROJECT : PROPOSED RESIDENTIAL
 DEVELOPMENT AT NOS. 3-6
 GLENEALY, CENTRAL, HONG KONG

TITLE : SECTION DETAILS

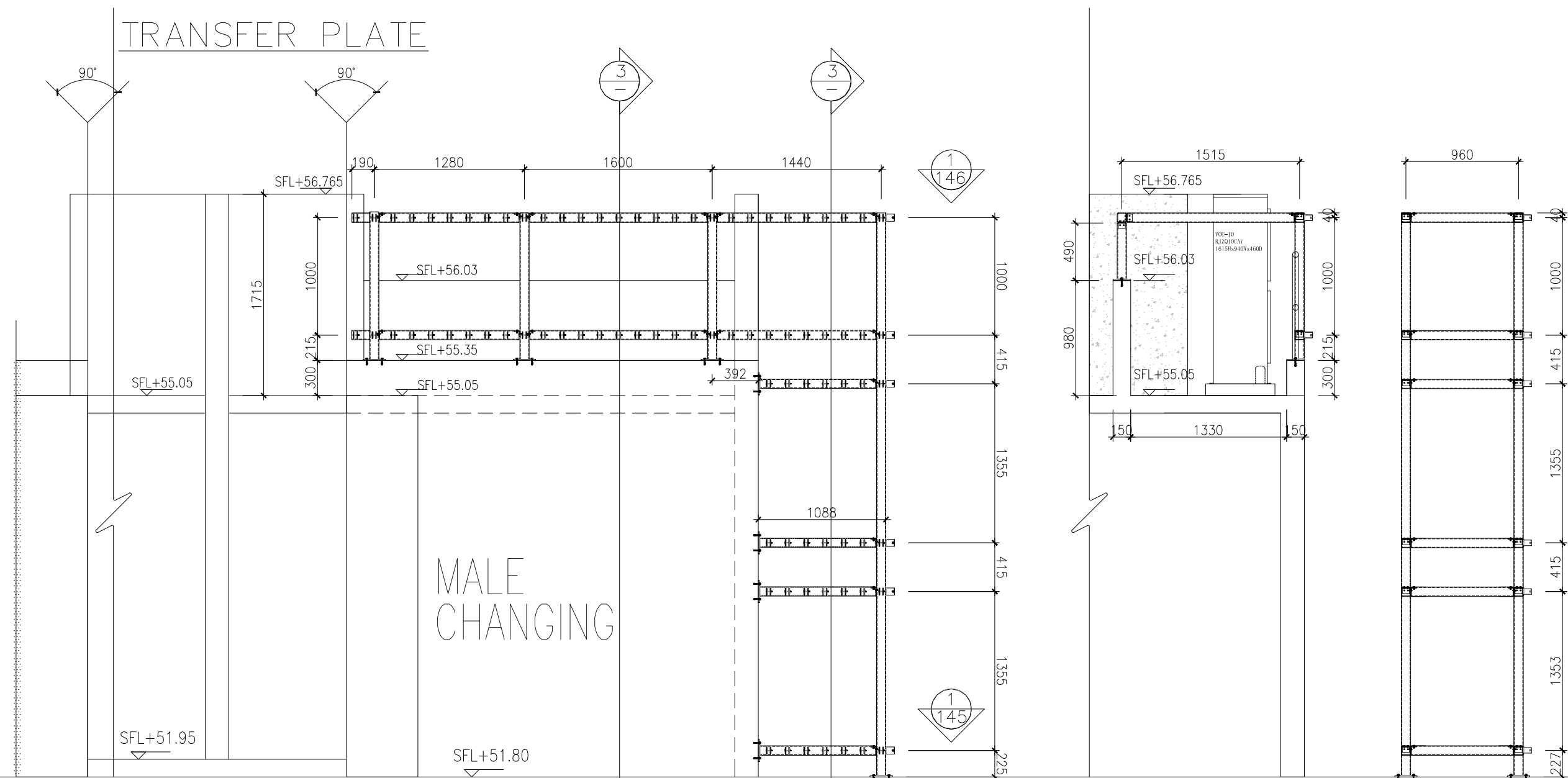
DATE : 26-03-2025 SCALE : 1:60@A3

DRAWN BY : CHECKED BY :

美特鋁質有限公司
MIDI ALUMINIUM FABRICATOR LTD.
 Units 6-8, Sunroy Industrial Centre, 1/F
 610 Cha Kwo Ling Road, Kowloon
 Tel:23489211-4 Fax:(852)2727666

DWG NO. : J861-AF-DT142

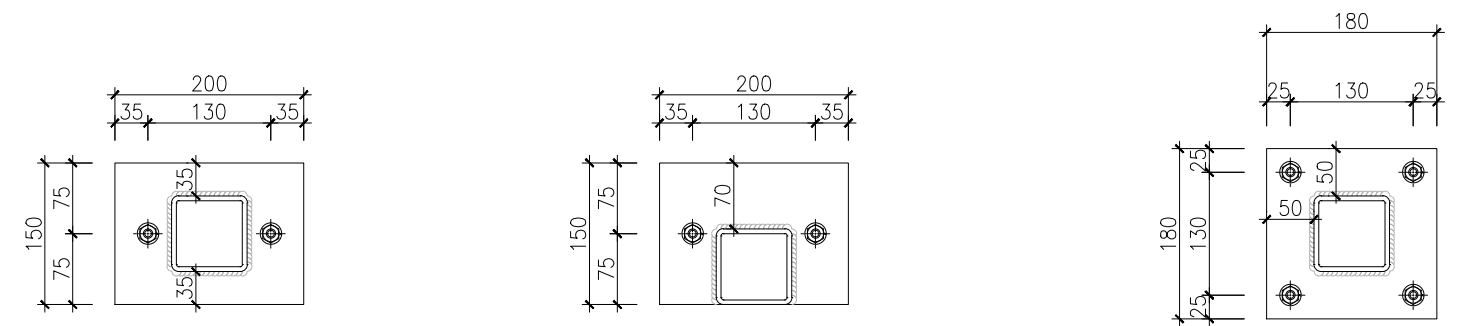
REV. :



1 TYPICAL DETAILS
- STEEL MEMBER ONLY

3 TYPICAL DETAILS
- STEEL MEMBER ONLY

4 TYPICAL DETAILS
- STEEL MEMBER ONLY



B.D. REF :

WONG TUNG & PARTNERS LTD.	
APPROVED	
APPROVED AS NOTED	
APPROVED AS NOTED & RESUBMIT	
RESUBMIT	
NO COMMENT	
REFER OTHER CONSULTANT'S COMMENTS	
Reviewed for compliance with the design intent. Comments made shall apply to all similar conditions & details, not just the ones cited. The approval shall not be construed as relieving the contractor for compliance with the contract documents & requirements.	
Reviewed By	Date

CLIENT :

Pacific Century
Premium Developments
盈科大衍地產發展

ARCHITECT :

WONG TUNG & PARTNERS LIMITED
ARCHITECTS & PLANNERS

MAIN CONTRACTOR :

顯利工程有限公司
HIEN LEE ENGINEERING CO., LTD.

STRUCTURAL ENGINEER :

SYW & ASSOCIATES LTD.
STRUCTURAL ENGINEERS & ARCHITECTS

FAÇADE CONSULTANT:

NOTE :

1. ALL DIMENSIONS ARE IN mm.
2. ALL ELEVATIONS ARE VIEWED FROM OUTSIDE.
3. ALL DIMENSIONS TO BE VERIFIED ON SITE BEFORE FABRICATION.

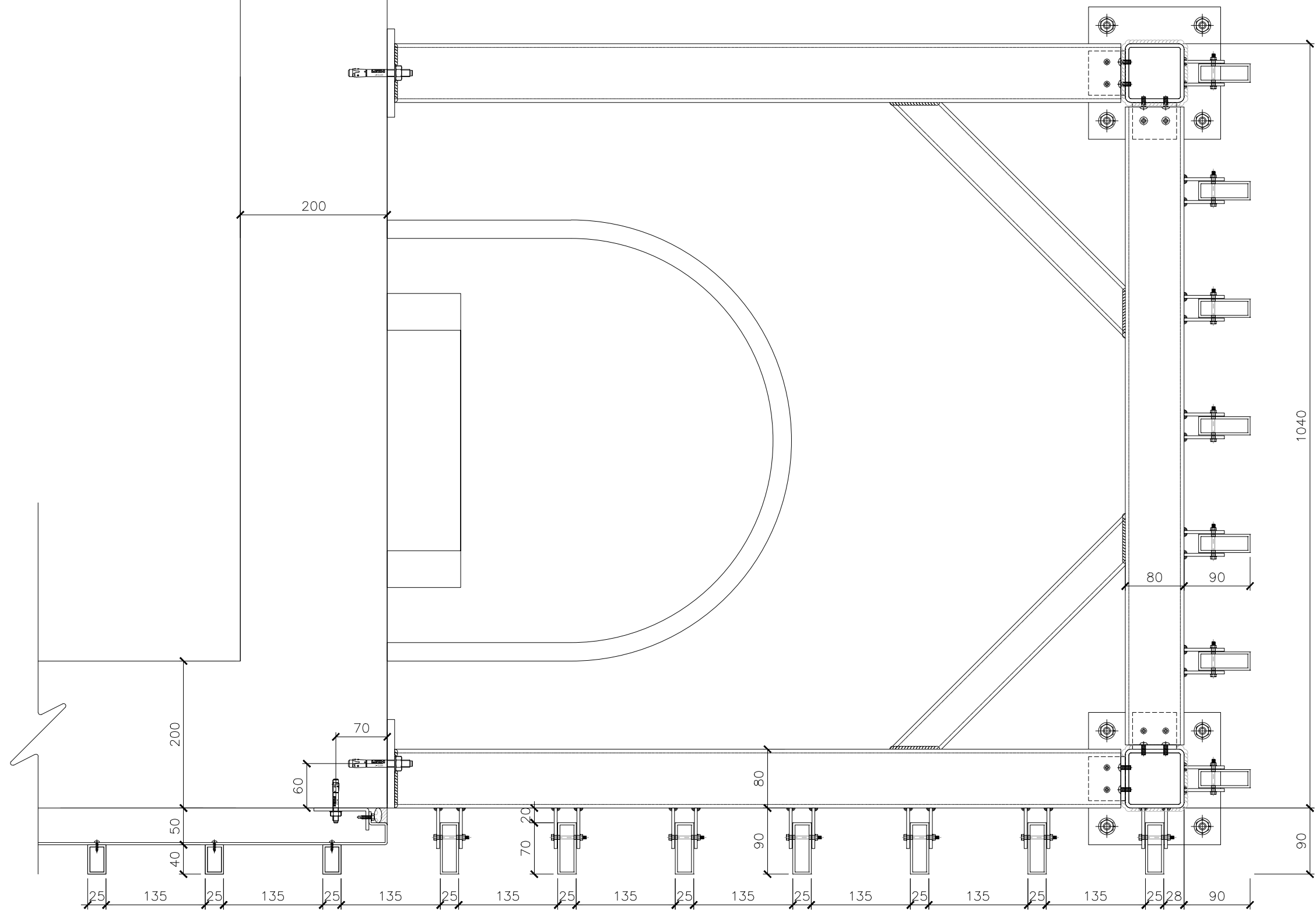
LEGEND :

x1 — DETAIL MARK NO.
X001 — REFER SHEET NO.

1. F.F.L. -- FINISHED FLOOR LEVEL
2. S.F.L. -- STRUCTURAL FLOOR LEVEL
3. (R) -- REVERSED DETAIL


NO.	DATE	REVISED	BY
JOB NO. : J-861			
PROJECT : PROPOSED RESIDENTIAL DEVELOPMENT AT NOS. 3-6 GLENEALY, CENTRAL, HONG KONG			
TITLE : SECTION DETAILS			
DATE : 26-03-2025		SCALE : 1:60@A3	
DRAWN BY :		CHECKED BY :	
<p>美特鋁質有限公司 MIDI ALUMINIUM FABRICATOR LTD. Units 6-8, Sunroy Industrial Centre, 1/F 610 Cha Kwo Ling Road, Kowloon Tel:23489211-4 Fax:(852)2727666</p>			
DWG NO. : J861-AF-DT144			REV. :


3mm THK. ALUM. CLADDING = COLOR : GREY GRANITE (EM04)
 25x45x3mm THK. ALUM. RHS (I01395) COLOR : WOOD PATTERN (EM01)
 25x70x3mm THK. ALUM. RHS (H34926) COLOR : WOOD PATTERN (EM01)

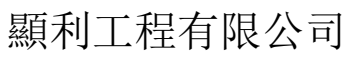



B.D. REF :

WONG TUNG & PARTNERS LTD.	
APPROVED	
APPROVED AS NOTED	
APPROVED AS NOTED & RESUBMIT	
RESUBMIT	
NO COMMENT	
REFER OTHER CONSULTANT'S COMMENTS	
Reviewed for compliance with the design intent. Comments made shall apply to all similar conditions & details, not just the ones cited.	
The approval shall not be construed as relieving the contractor for compliance with the contract documents & requirements.	
Reviewed By	Date
()	()

CLIENT :
 Pacific Century Premium Developments
 盈科大衍地產發展

ARCHITECT :
 WONG TUNG & PARTNERS LIMITED
 ARCHITECTS & PLANNERS

MAIN CONTRACTOR :
 顯利工程有限公司
 HIEN LEE ENGINEERING CO., LTD.

STRUCTURAL ENGINEER :
 SYW & ASSOCIATES LTD.
 邵賢偉建築工程師

FACADE CONSULTANT:

NOTE :

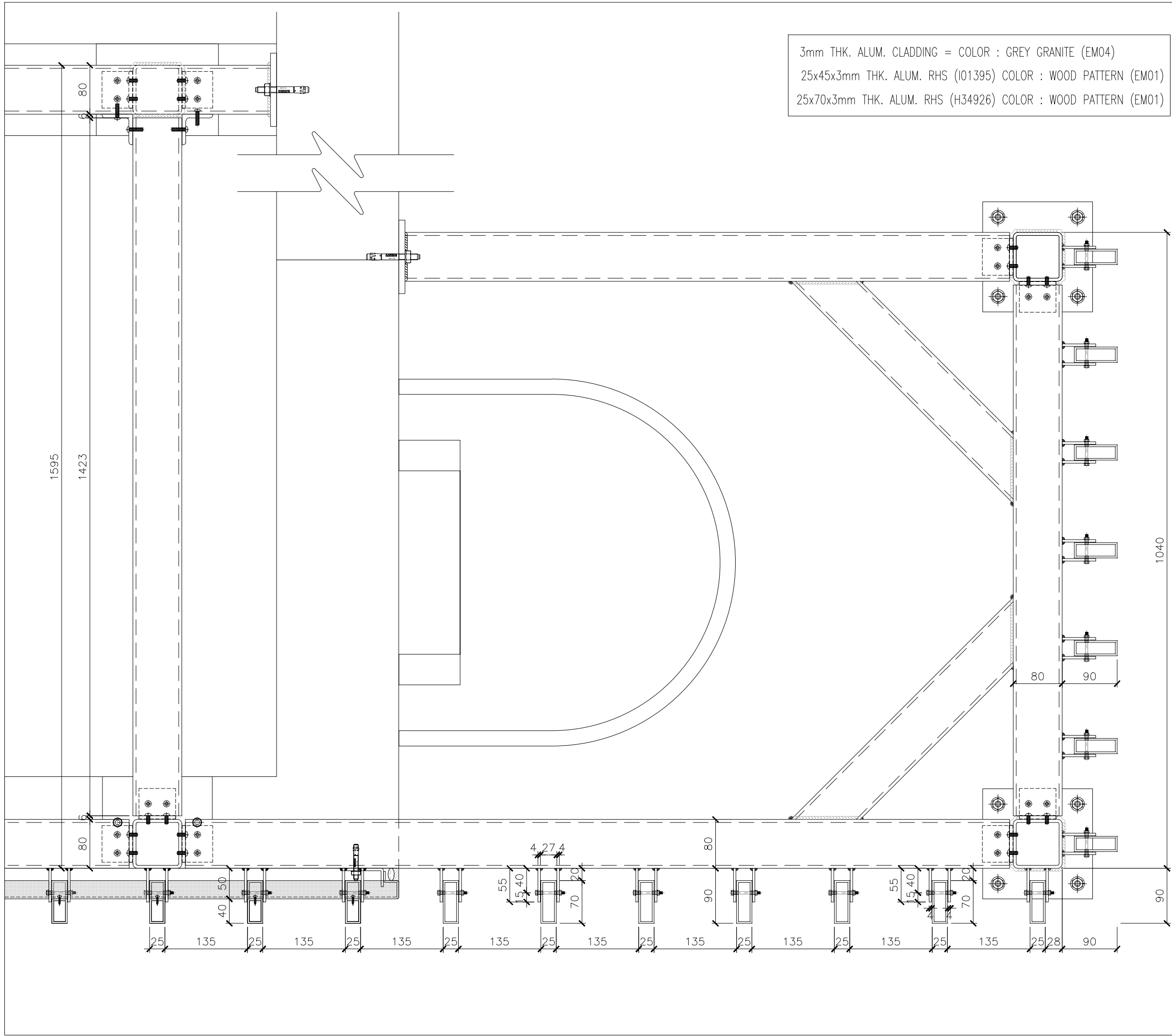
1. ALL DIMENSIONS ARE IN mm.
2. ALL ELEVATIONS ARE VIEWED FROM OUTSIDE.
3. ALL DIMENSIONS TO BE VERIFIED ON SITE BEFORE FABRICATION.

LEGEND :

(X1) — DETAIL MARK NO.
 (X001) — REFER SHEET NO.

1. F.F.L. -- FINISHED FLOOR LEVEL
2. S.F.L. -- STRUCTURAL FLOOR LEVEL
3. (R) -- REVERSED DETAIL

NO.	DATE	REVISED	BY
JOB NO. : J-861			
PROJECT : PROPOSED RESIDENTIAL DEVELOPMENT AT NOS. 3-6 GLENEALY, CENTRAL, HONG KONG			
TITLE : SECTION DETAILS			
DATE : 26-03-2025		SCALE : 1:60@A3	
DRAWN BY :		CHECKED BY :	
 美特鋁質有限公司 MIDI ALUMINIUM FABRICATOR LTD. Units 6-8, Sunroy Industrial Centre, 1/F 610 Cha Kwo Ling Road, Kowloon Tel:23489211-4 Fax:(852)2727666			
DWG NO. : J861-AF-DT145			REV. :



B.D. REF :

WONG TUNG & PARTNERS LTD.	
APPROVED	
APPROVED AS NOTED	
APPROVED AS NOTED & RESUBMIT	
RESUBMIT	
NO COMMENT	
REFER OTHER CONSULTANT'S COMMENTS	
Reviewed for compliance with the design intent. Comments made shall apply to all similar conditions & details, not just the ones cited.	
The approval shall not be construed as relieving the contractor for compliance with the contract documents & requirements.	
Reviewed By	Date
()	()

CLIENT :
 Pacific Century Premium Developments
 盈科大衍地產發展

ARCHITECT :
 WONG TUNG & PARTNERS LIMITED
 ARCHITECTS & PLANNERS

MAIN CONTRACTOR :
 顯利工程有限公司
 HIEN LEE ENGINEERING CO., LTD.

STRUCTURAL ENGINEER :
 SYW & ASSOCIATES LTD.
 蘇賢偉建築工程師

FACADE CONSULTANT:

NOTE :

1. ALL DIMENSIONS ARE IN mm.
2. ALL ELEVATIONS ARE VIEWED FROM OUTSIDE.
3. ALL DIMENSIONS TO BE VERIFIED ON SITE BEFORE FABRICATION.

LEGEND :

(X1) — DETAIL MARK NO.
 (X001) — REFER SHEET NO.

1. F.F.L. -- FINISHED FLOOR LEVEL
2. S.F.L. -- STRUCTURAL FLOOR LEVEL
3. (R) -- REVERSED DETAIL

NO.	DATE	REVISED	BY
JOB NO. : J-861			
PROJECT : PROPOSED RESIDENTIAL DEVELOPMENT AT NOS. 3-6 GLENEALY, CENTRAL, HONG KONG			
TITLE : SECTION DETAILS			
DATE : 26-03-2025		SCALE : 1:60@A3	
DRAWN BY :		CHECKED BY :	
美特鋁質有限公司 MIDI ALUMINIUM FABRICATOR LTD. Units 6-8, Sunroy Industrial Centre, 1/F 610 Cha Kwo Ling Road, Kowloon Tel:23489211-4 Fax:(852)2727666			
DWG NO. : J861-AF-DT146			REV. :

_20160220.dwg, 03/11/26, 16:23:49, DWG To PDF, p3
 2025.10.04.
 K:\05\178176_Submission\1_Shop Drawing\9_Cladding\861Aluminium Façade