



工程指示 / 要求簡箋 ENGINEER INSTRUCTIONS(E.I.)

工程指示編號:	EI- 9394	修改版本:	E
	HK- 0088		
工程編號:	J 861	工程名稱:	己連拿利
收件人:	生統/技術部	發件人:	細佬
工程項目:	幕牆設計(百葉背增加背板)	日期:	04/03/2026

<input type="checkbox"/> 原合約工程包	<input type="checkbox"/> 原合約工程加 / 減賬 QT-	<input type="checkbox"/> 新工程報價 QT-
---------------------------------	--	------------------------------------

信件批核號碼/圖紙參考編號:	批核模具圖紙編號:
客戶指示附件:	管理內部批簽署:

<input type="checkbox"/> 初步鋁料 B.M.	<input type="checkbox"/> 加工拆圖, 然後生產	<input type="checkbox"/> 尺寸表
<input type="checkbox"/> 正式鋁料 B.M.	<input type="checkbox"/> 技術上資料/指示	<input type="checkbox"/> 報價
<input type="checkbox"/> 配件 B.M.	<input type="checkbox"/> 樣辦或貨品說明書	<input type="checkbox"/> 分判合約
<input type="checkbox"/> 其他:		

內容: 給技術部: 請按附頁的資料制作加工圖。 藍圈位置百葉背增加背板 顏色是: UCT206165XLA-3 備注: 3月3日地盤通知
完成上列要求日期: 18/03/2026

國內

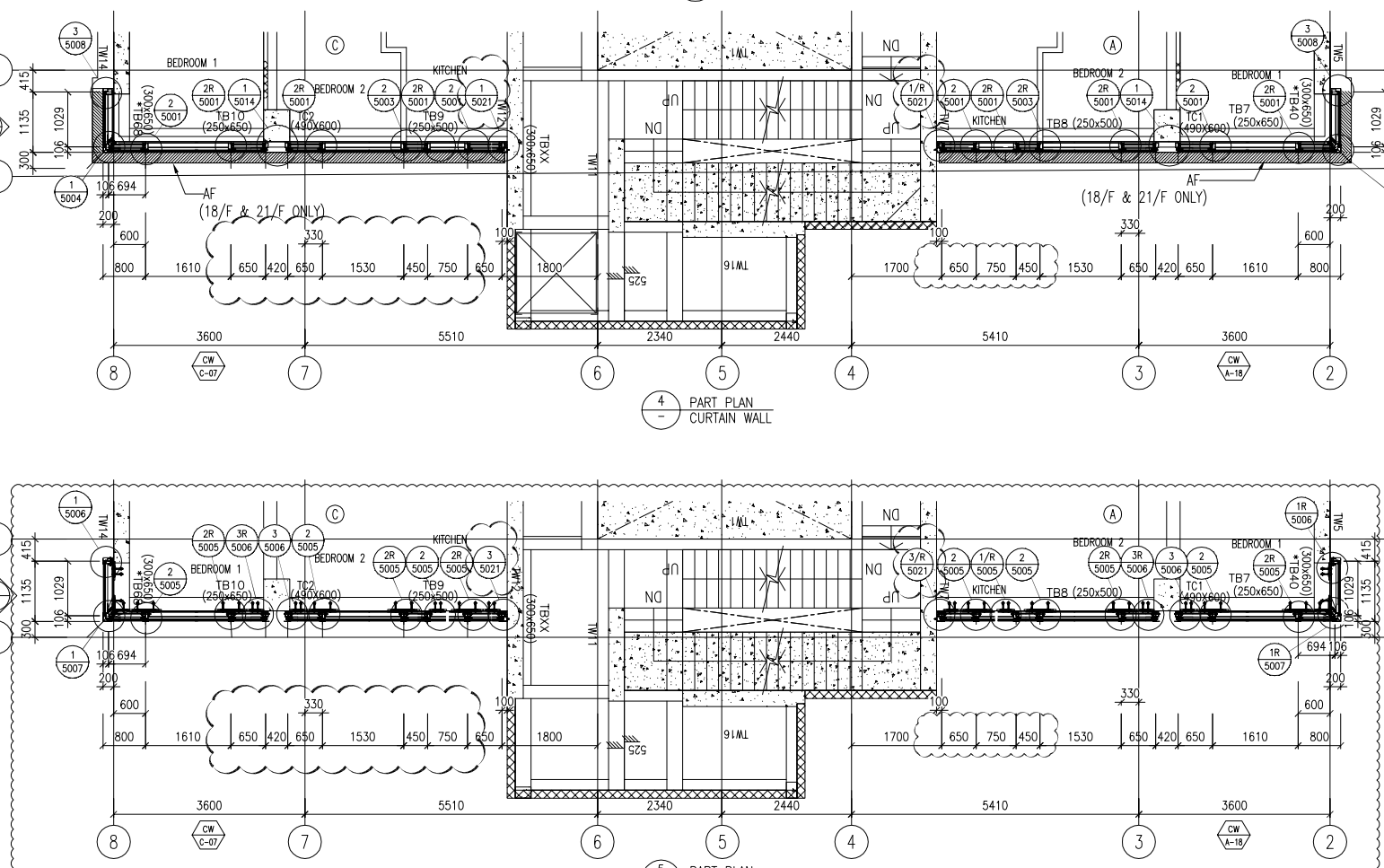
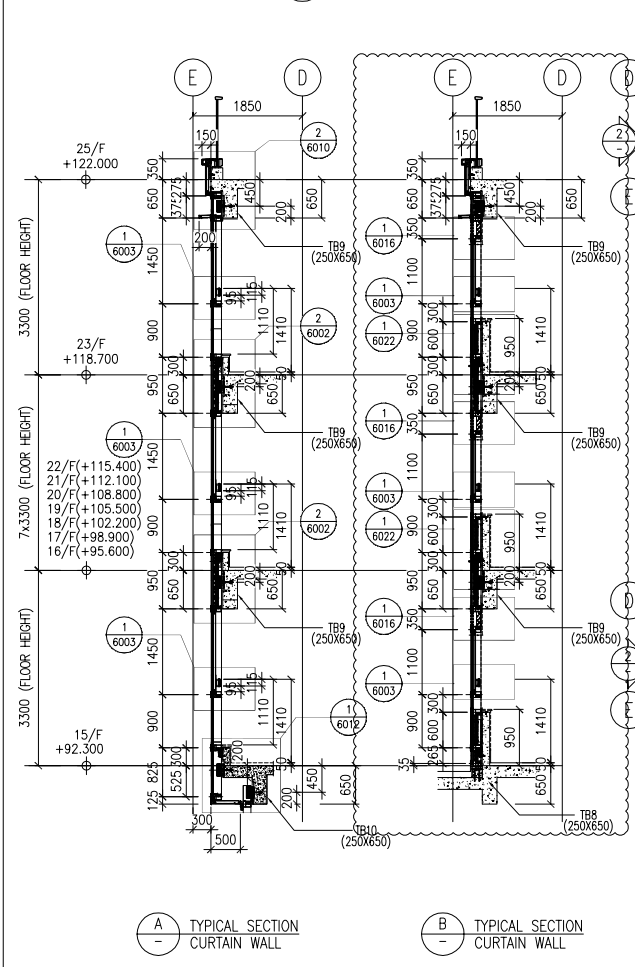
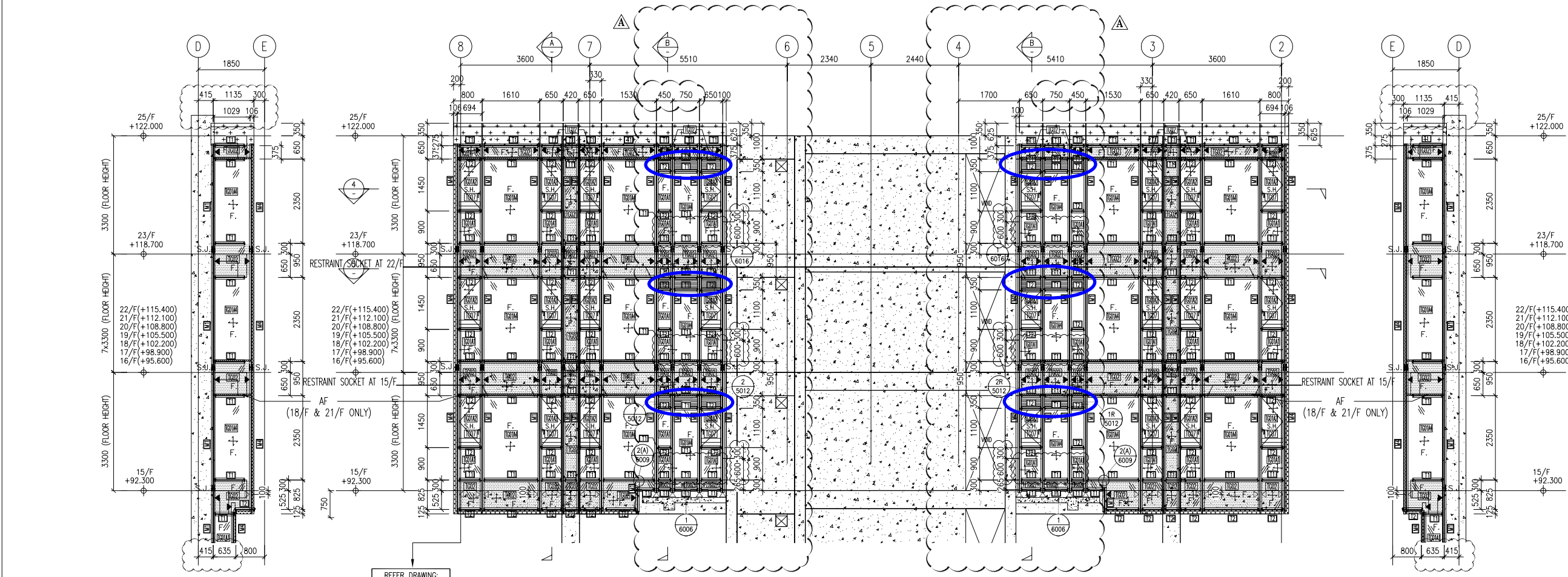
<input type="checkbox"/> 生產技術總監	<input type="checkbox"/> 連附件	<input checked="" type="checkbox"/> 技術部	<input checked="" type="checkbox"/> 連附件	<input type="checkbox"/> 生產部	<input type="checkbox"/> 連附件
<input type="checkbox"/> 採購部	<input type="checkbox"/> 連附件	<input type="checkbox"/> 生產統籌部	<input type="checkbox"/> 連附件	<input type="checkbox"/> 報關組	<input type="checkbox"/> 連附件
<input type="checkbox"/> 質檢部	<input type="checkbox"/> 連附件	<input type="checkbox"/> 會計部	<input type="checkbox"/> 連附件	<input type="checkbox"/> 機械設計部	<input type="checkbox"/> 連附件
<input type="checkbox"/> 香港辦	<input type="checkbox"/> 連附件	<input type="checkbox"/> 其他:			

香港

<input type="checkbox"/> 行政部	<input type="checkbox"/> 連附件	<input type="checkbox"/> 會計部	<input type="checkbox"/> 連附件	<input type="checkbox"/> 統籌部	<input type="checkbox"/> 連附件	<input type="checkbox"/> 工程部	<input type="checkbox"/> 連附件
<input type="checkbox"/> 採購部	<input type="checkbox"/> 連附件	<input type="checkbox"/> QS部	<input type="checkbox"/> 連附件	<input type="checkbox"/> 地盤管理	<input type="checkbox"/> 連附件	<input type="checkbox"/> 維修部	<input type="checkbox"/> 連附件

*發件人簽署:	*組別成員批核簽署:
傳遞編號:	項目經理簽署: 

* ♦ = RESTRAINT SOCKET



- LEGEND :**
- [TG01A1] 8mm HEAT STRENGTHENED GLASS + 12mm AIR SPACE + 10mm TEMPERED GLASS (IGU)
 - [TG01A2] 8mm HEAT STRENGTHENED GLASS + 12mm AIR SPACE + 8mm TEMPERED GLASS (IGU)
 - [TG01A3] 8mm HEAT STRENGTHENED GLASS WITH (FROSTED) AT SURFACE #3 + 12mm AIR SPACE + 10mm TEMPERED GLASS (IGU)
 - [TG01A4] 8mm HEAT STRENGTHENED GLASS + 12mm AIR SPACE + 12mm TEMPERED GLASS (IGU)
 - [TG02] 12mm HEAT STRENGTHENED GLASS W/2mm THK. ALUM. BACK PANEL
 - [TG07] 10mm CLEAR TEMPERED GLASS
 - [TM05] 3mm THK ALUM. CLADDING DARK GREY COLOUR CODE: KM3E97023C (*ALL CURTAIN WALL MULLION & TRANSOM FRAME IN DARK GREY COLOUR)
- F. - FIXED GLASS
 S.H. - SIDE HUNG OPENABLE WINDOW
 ◀ - SUPPORT POINT (WIND LOAD + DEAD LOAD)
 ◁ - SUPPORT POINT (WIND LOAD)
 S.J. - STACK JOINT REF TO J861-SD-CW-5016

NOTE :

- ALL DIMENSIONS ARE IN mm.
- ALL ELEVATIONS ARE VIEWED FROM OUTSIDE.
- ALL DIMENSIONS TO BE VERIFIED ON SITE BEFORE FABRICATION.

LEGEND :

- (X1) - DETAIL MARK NO.
- (X001) - REFER SHEET NO.

- F.F.L. -- FINISHED FLOOR LEVEL
- S.F.L. -- STRUCTURAL FLOOR LEVEL
- (R) -- REVERSED DETAIL

B	8/11/2024	GENERAL REVISED	
A	16/9/2024	GENERAL REVISED	
NO.	DATE	REVISED	BY

CLIENT :
MILLION BASE PROPERTIES LIMITED

ARCHITECT :
WONG TUNG & PARTNERS LIMITED
 ARCHITECTS & PLANNERS

STRUCTURAL ENGINEER :
SYW SYW & ASSOCIATES LTD.
 邵智偉建築工程師

MAIN CONTRACTOR :
顯利工程有限公司
 HIEN LEE ENGINEERING CO., LTD.

美特鋁質有限公司
MIDI ALUMINIUM FABRICATOR LTD.
 Units 6-8, Sunray Industrial Centre, 1/F
 610 Cha Kwo Ling Road, Kowloon
 Tel:23489211-4 Fax:(852)2727666

JOB NO. : J-861

PROJECT :
 PROPOSED RESIDENTIAL DEVELOPMENT AT NOS. 3-6 GLENEALY, CENTRAL, HONG KONG

TITLE :
 PART ELEVATION FOR CURTAIN WALL

DATE : 06-Sep.-24	SCALE : 1:60(A1)
DRAWN BY : Asing	CHECKED BY :
DWG NO. : J861-SD-CW-3008	REV. : B

WONG TUNG & PARTNERS LTD.

APPROVED

APPROVED AS NOTED

APPROVED AS NOTED & RESUBMIT

RESUBMIT

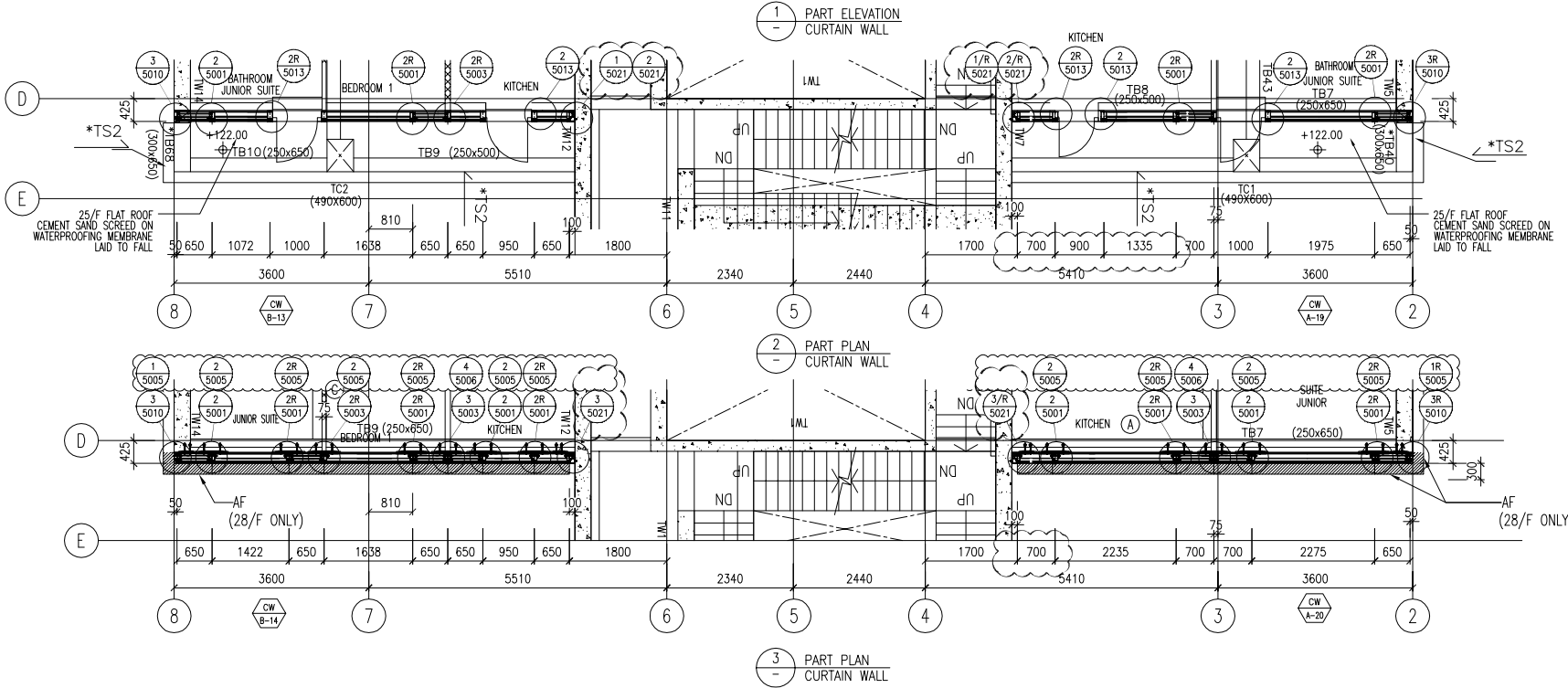
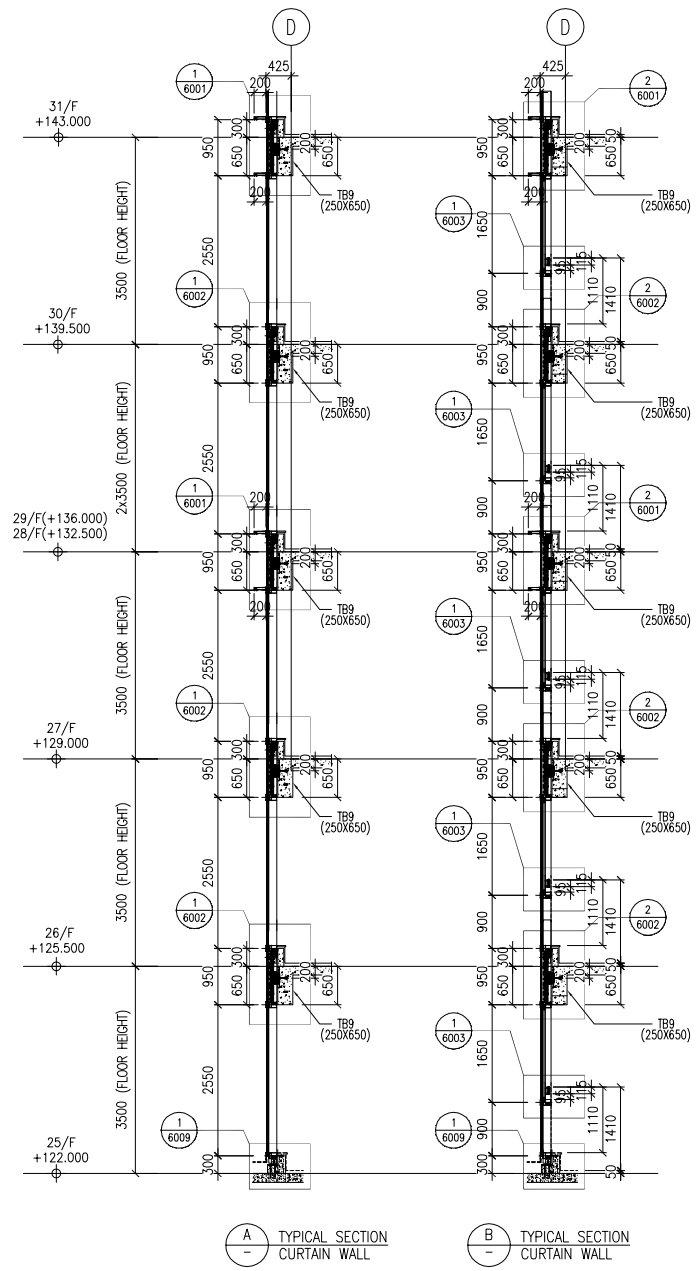
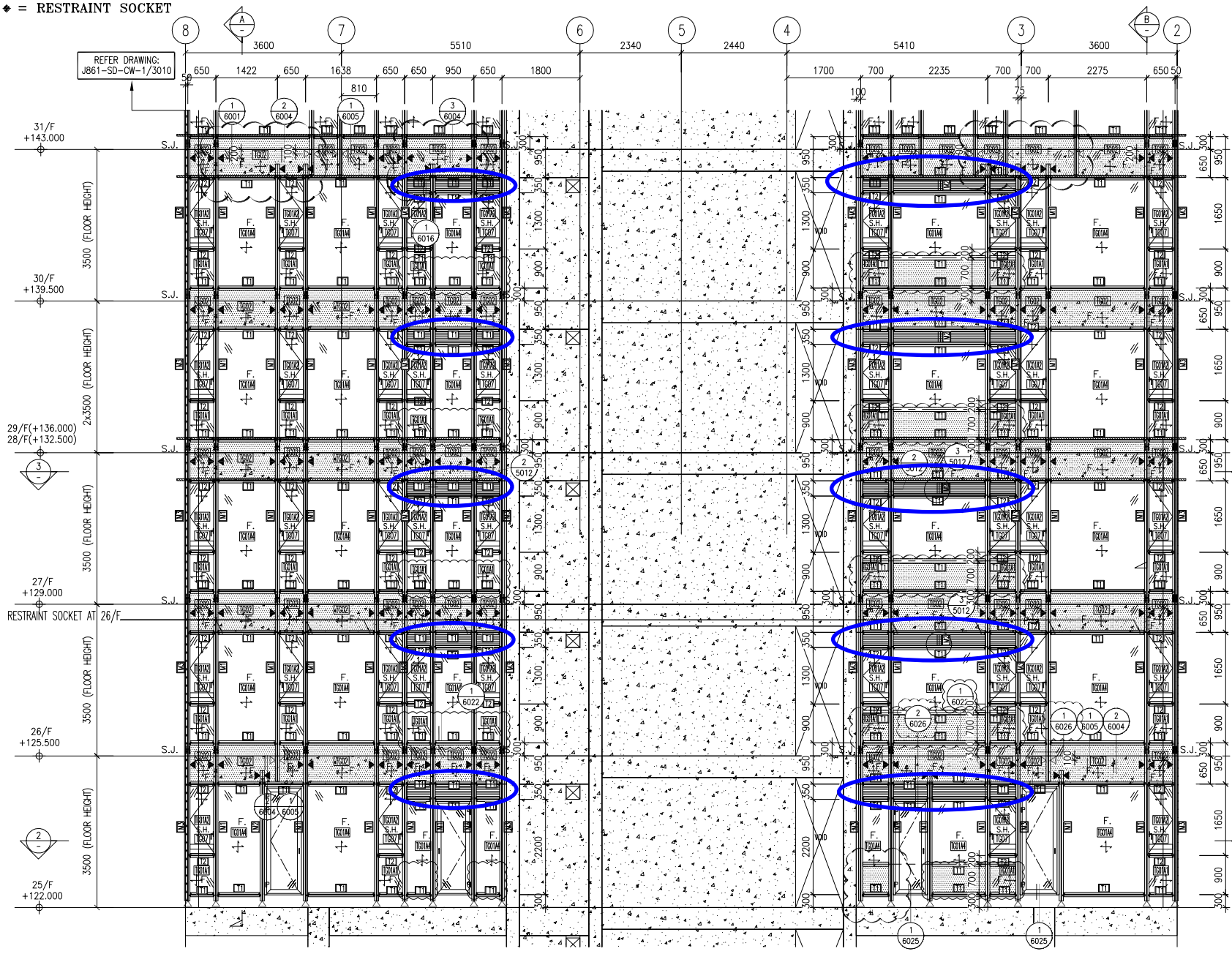
NO COMMENT

REFER OTHER CONSULTANT'S COMMENTS

Reviewed for compliance with the design intent. Comments made shall apply to all similar conditions & details, not just the ones cited. The approval shall not be construed as relieving the contractor for compliance with the contract documents & requirements.

Reviewed By: _____ Date: _____

◆ = RESTRAINT SOCKET



NOTE :
 1. ALL DIMENSIONS ARE IN mm.
 2. ALL ELEVATIONS ARE VIEWED FROM OUTSIDE.
 3. ALL DIMENSIONS TO BE VERIFIED ON SITE BEFORE FABRICATION.

LEGEND :
 (X1) --- DETAIL MARK NO.
 (X001) --- REFER SHEET NO.

1. F.F.L. --- FINISHED FLOOR LEVEL
 2. S.F.L. --- STRUCTURAL FLOOR LEVEL
 3. (R) --- REVERSED DETAIL

B	8/11/2024	GENERAL REVISED	
A	16/9/2024	GENERAL REVISED	
NO.	DATE	REVISED	BY

CLIENT :
MILLION BASE PROPERTIES LIMITED

ARCHITECT :
WONG TUNG & PARTNERS LIMITED
 ARCHITECTS & PLANNERS

STRUCTURAL ENGINEER :
SYW SYW & ASSOCIATES LTD.
 邵賢偉建築工程師

MAIN CONTRACTOR :
顯利工程有限公司
 HIEN LEE ENGINEERING CO., LTD.

美特鋁質有限公司
 MIDI ALUMINIUM FABRICATOR LTD.
 Units 6-8, Sunray Industrial Centre, 1/F
 610 Cha Kwo Ling Road, Kowloon
 Tel:23489211-4 Fax:(852)2727666

JOB NO. : J-861

PROJECT :
 PROPOSED RESIDENTIAL
 DEVELOPMENT AT NOS. 3-6
 GLENEALY, CENTRAL, HONG KONG

TITLE :
 PART ELEVATION
 FOR CURTAIN WALL

DATE : 06-Sep.-24 SCALE : 1:60(A1)

DRAWN BY : Asing CHECKED BY :

DWG NO. : J861-SD-CW-3009 REV. : B

LEGEND :

TG01A1 8mm HEAT STRENGTHENED GLASS
 + 12mm AIR SPACE + 10mm TEMPERED GLASS (IGU)

TG01A2 8mm HEAT STRENGTHENED GLASS
 + 12mm AIR SPACE + 8mm TEMPERED GLASS (IGU)

TG01A3 8mm HEAT STRENGTHENED GLASS
 WITH (FROSTED) AT SURFACE #3
 + 12mm AIR SPACE + 10mm TEMPERED GLASS (IGU)

TG01A4 8mm HEAT STRENGTHENED GLASS
 + 12mm AIR SPACE + 12mm TEMPERED GLASS (IGU)

TG02 12mm HEAT STRENGTHENED GLASS
 W/2mm THK. ALUM. BACK PANEL

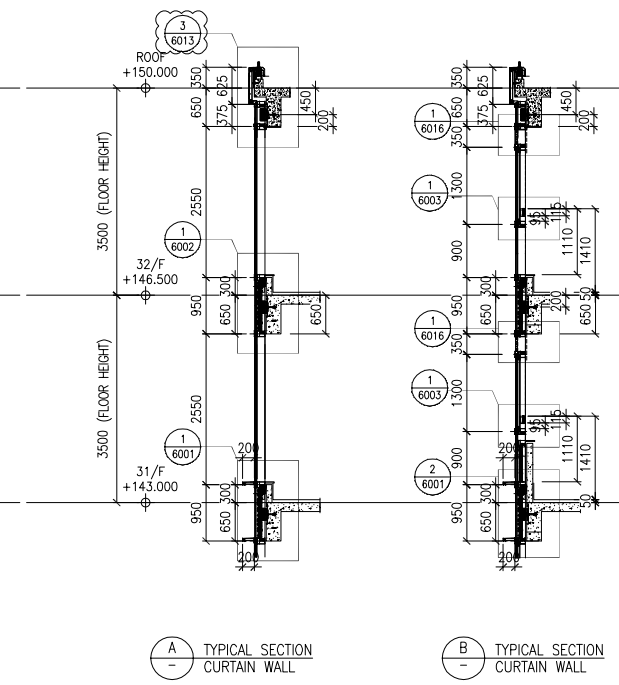
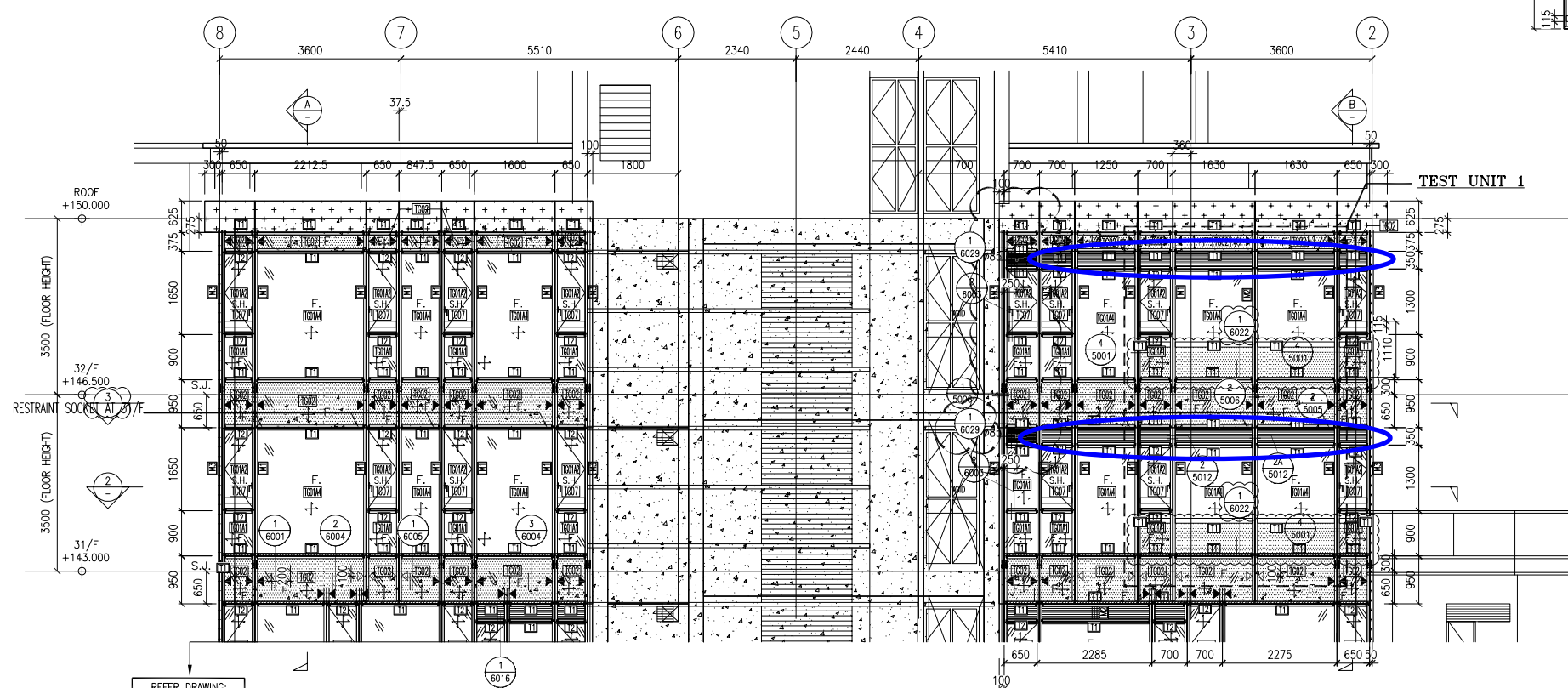
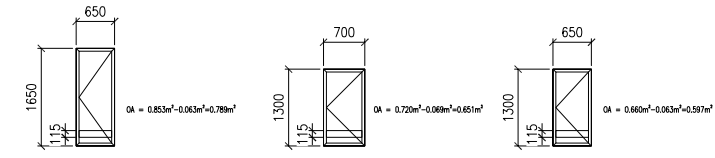
TG07 10mm CLEAR TEMPERED GLASS

TM05 3mm THK ALUM. CLADDING
 DARK GREY COLOUR CODE: KM3E97023C
 (*ALL CURTAIN WALL MULLION
 & TRANSOM FRAME IN DARK GREY COLOUR)

F. - FIXED GLASS
 S.H. - SIDE HUNG OPENABLE WINDOW
 ◀ - SUPPORT POINT (WIND LOAD + DEAD LOAD)
 ◁ - SUPPORT POINT (WIND LOAD)
 S.J. - STACK JOINT REF TO J861-SD-CW-5016

WONG TUNG & PARTNERS LTD.	
APPROVED	
APPROVED AS NOTED	
APPROVED AS NOTED & RESUBMIT	
RESUBMIT	
NO COMMENT	
REFER OTHER CONSULTANT'S COMMENTS	
Reviewed for compliance with the design intent. Comments made shall apply to all similar conditions & details, not just the ones cited. The approval shall not be construed as relieving the contractor for compliance with the contract documents & requirements.	
Reviewed By	Date

* ♦ = RESTRAINT SOCKET

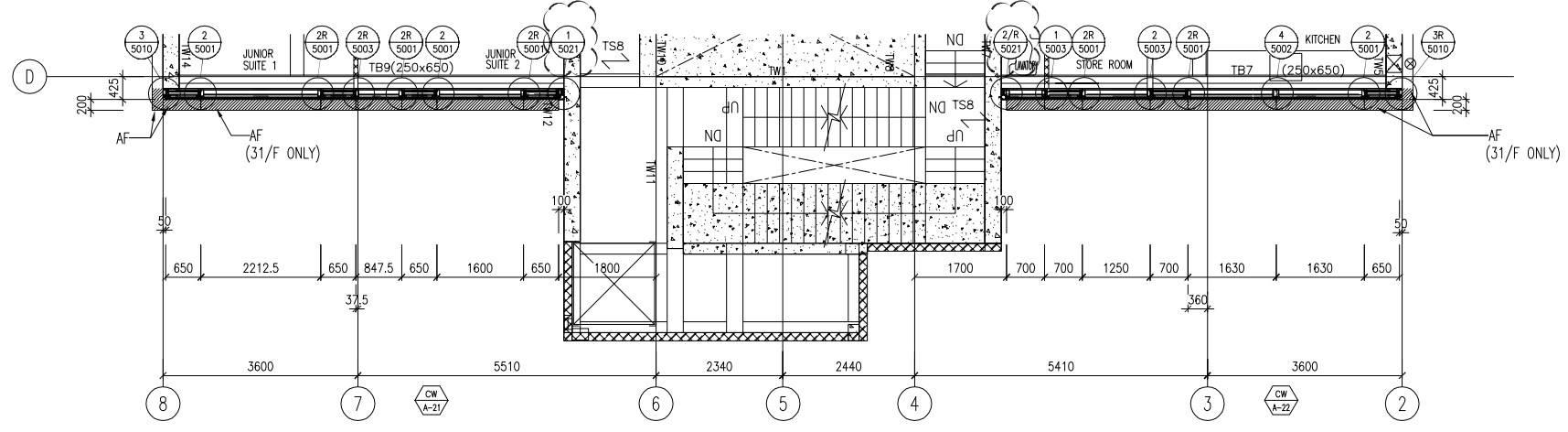


REFER DRAWING: J861-SD-CW-1/3009

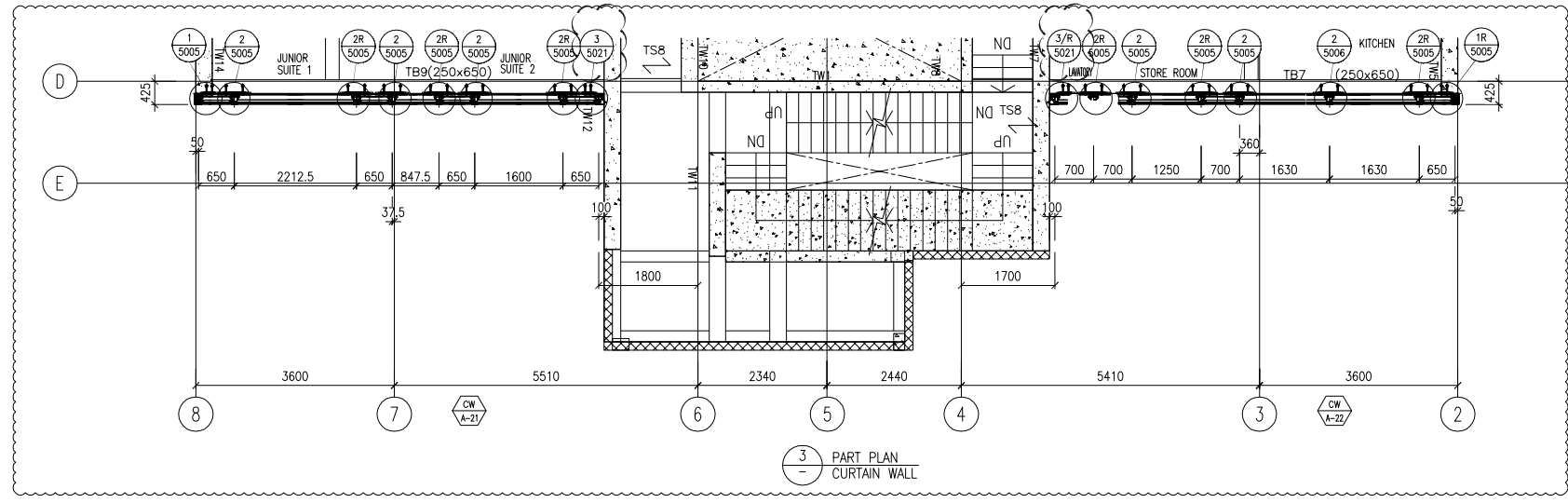
1 PART ELEVATION CURTAIN WALL

A TYPICAL SECTION CURTAIN WALL

B TYPICAL SECTION CURTAIN WALL



2 PART PLAN CURTAIN WALL



3 PART PLAN CURTAIN WALL

- LEGEND :**
- TG01A1 8mm HEAT STRENGTHENED GLASS + 12mm AIR SPACE + 10mm TEMPERED GLASS (IGU)
 - TG01A2 8mm HEAT STRENGTHENED GLASS + 12mm AIR SPACE + 8mm TEMPERED GLASS (IGU)
 - TG01A3 8mm HEAT STRENGTHENED GLASS WITH (FROSTED) AT SURFACE #3 + 12mm AIR SPACE + 10mm TEMPERED GLASS (IGU)
 - TG01A4 8mm HEAT STRENGTHENED GLASS + 12mm AIR SPACE + 12mm TEMPERED GLASS (IGU)
 - TG02 12mm HEAT STRENGTHENED GLASS W/2mm THK. ALUM. BACK PANEL
 - TG07 10mm CLEAR TEMPERED GLASS
 - TM05 3mm THK ALUM. CLADDING DARK GREY COLOUR CODE: KM3E97023C (*ALL CURTAIN WALL MULLION & TRANSOM FRAME IN DARK GREY COLOUR)
- F. - FIXED GLASS
 S.H. - SIDE HUNG OPENABLE WINDOW
 ◀ - SUPPORT POINT (WIND LOAD + DEAD LOAD)
 ◁ - SUPPORT POINT (WIND LOAD)
 S.J. - STACK JOINT REF TO J861-SD-CW-5016

NOTE :
 1. ALL DIMENSIONS ARE IN mm.
 2. ALL ELEVATIONS ARE VIEWED FROM OUTSIDE.
 3. ALL DIMENSIONS TO BE VERIFIED ON SITE BEFORE FABRICATION.

LEGEND :
 X1 - DETAIL MARK NO.
 X001 - REFER SHEET NO.

1. F.F.L. -- FINISHED FLOOR LEVEL
 2. S.F.L. -- STRUCTURAL FLOOR LEVEL
 3. (R) -- REVERSED DETAIL

B	8/11/2024	GENERAL REVISED	
A	16/9/2024	GENERAL REVISED	
NO.	DATE	REVISED	BY

CLIENT :
MILLION BASE PROPERTIES LIMITED

ARCHITECT :
WONG TUNG & PARTNERS LIMITED
 ARCHITECTS & PLANNERS

STRUCTURAL ENGINEER :
SYW SYW & ASSOCIATES LTD.
 邵賢偉建築工程師

MAIN CONTRACTOR :
顯利工程有限公司
 HIEN LEE ENGINEERING CO., LTD.

美特鋁質有限公司
MIDI ALUMINIUM FABRICATOR LTD.
 Units 6-8, Sunray Industrial Centre, 1/F
 610 Cha Kwo Ling Road, Kowloon
 Tel:23489211-4 Fax:(852)2727666

JOB NO. : J-861

PROJECT :
 PROPOSED RESIDENTIAL DEVELOPMENT AT NOS. 3-6 GLENEALY, CENTRAL, HONG KONG

TITLE :
 PART ELEVATION FOR CURTAIN WALL

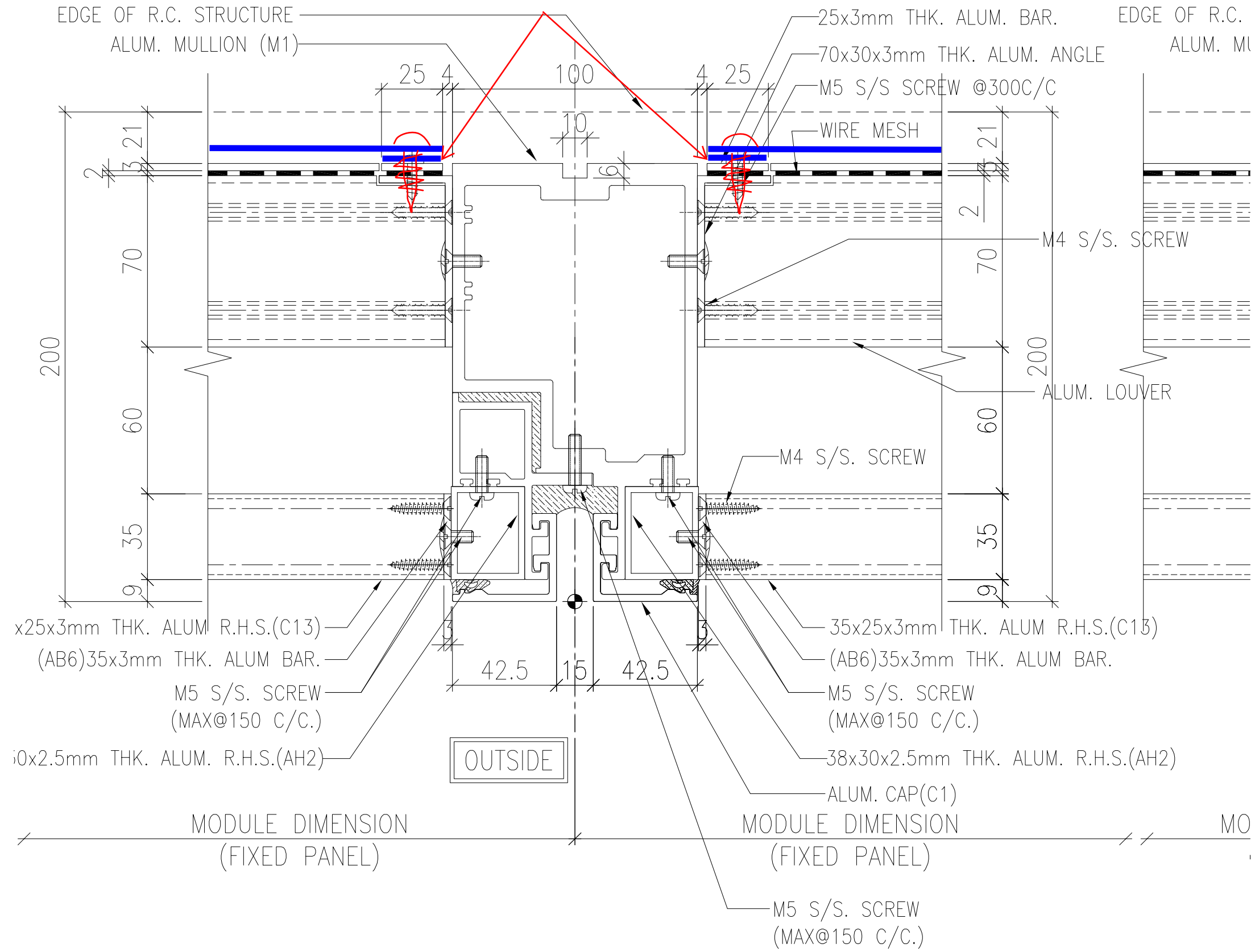
DATE : 06-Sep.-24 SCALE : 1:60(A1)

DRAWN BY : Asing CHECKED BY :

DWG NO. : J861-SD-CW-3010 REV. : B

WONG TUNG & PARTNERS LTD.	
APPROVED	
APPROVED AS NOTED	
APPROVED AS NOTED & RESUBMIT	
RESUBMIT	
NO COMMENT	
REFER OTHER CONSULTANT'S COMMENTS	
Reviewed for compliance with the design intent. Comments made shall apply to all similar conditions & details, not just the ones cited. The approval shall not be construed as relieving the contractor for compliance with the contract documents & requirements.	
Reviewed By	Date

加3mm鋁巴 (一小段，在頂部和底部)



2 TYPICAL MULLION DETAIL
5012 CURTAIN WALL

