



工程指示 / 要求簡箋 ENGINEER INSTRUCTIONS(E.I.)

工程指示編號:	EI- 9394	修改版本:	D
	HK- 0065		
工程編號:	J 861	工程名稱:	己連拿利
收件人:	生統/技術部	發件人:	細佬
工程項目:	幕牆設計修改	日期:	30/01/2026

<input type="checkbox"/> 原合約工程包	<input type="checkbox"/> 原合約工程加 / 減賬 QT-	<input type="checkbox"/> 新工程報價 QT-
---------------------------------	--	------------------------------------

信件批核號碼/圖紙參考編號:	批核模具圖紙編號:
客戶指示附件:	管理內部批簽署:

<input type="checkbox"/> 初步鋁料 B.M.	<input type="checkbox"/> 加工拆圖, 然後生產	<input type="checkbox"/> 尺寸表
<input type="checkbox"/> 正式鋁料 B.M.	<input type="checkbox"/> 技術上資料/指示	<input type="checkbox"/> 報價
<input type="checkbox"/> 配件 B.M.	<input type="checkbox"/> 樣辦或貨品說明書	<input type="checkbox"/> 分判合約
<input type="checkbox"/> 其他:		

內容: 給技術部: 請按附頁的資料制作加工圖。 EI9394C版不用看 備注: 1月30日大明通知 CAD文件在以下位置 J:\midi_sharepoint\Public\to_china\謝永林\J861\EI9394D_HK0065_CAD
完成上列要求日期: 10/02/2026

國內

<input type="checkbox"/> 生產技術總監	<input type="checkbox"/> 連附件	<input checked="" type="checkbox"/> 技術部	<input checked="" type="checkbox"/> 連附件	<input type="checkbox"/> 生產部	<input type="checkbox"/> 連附件
<input type="checkbox"/> 採購部	<input type="checkbox"/> 連附件	<input type="checkbox"/> 生產統籌部	<input type="checkbox"/> 連附件	<input type="checkbox"/> 報關組	<input type="checkbox"/> 連附件
<input type="checkbox"/> 質檢部	<input type="checkbox"/> 連附件	<input type="checkbox"/> 會計部	<input type="checkbox"/> 連附件	<input type="checkbox"/> 機械設計部	<input type="checkbox"/> 連附件
<input type="checkbox"/> 香港辦	<input type="checkbox"/> 連附件	<input type="checkbox"/> 其他:			

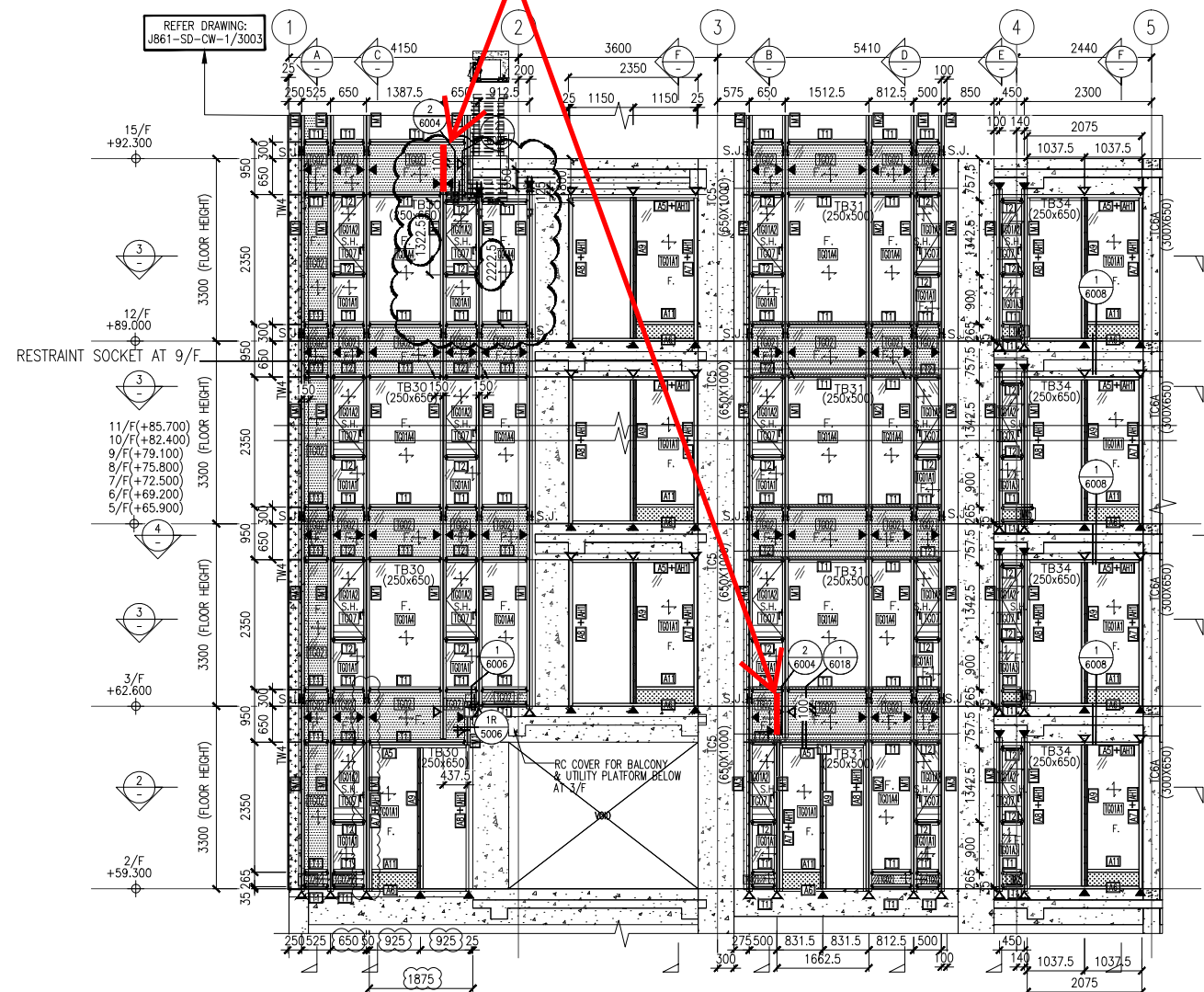
香港

<input type="checkbox"/> 行政部	<input type="checkbox"/> 連附件	<input type="checkbox"/> 會計部	<input type="checkbox"/> 連附件	<input type="checkbox"/> 統籌部	<input type="checkbox"/> 連附件	<input type="checkbox"/> 工程部	<input type="checkbox"/> 連附件
<input type="checkbox"/> 採購部	<input type="checkbox"/> 連附件	<input type="checkbox"/> QS部	<input type="checkbox"/> 連附件	<input type="checkbox"/> 地盤管理	<input type="checkbox"/> 連附件	<input type="checkbox"/> 維修部	<input type="checkbox"/> 連附件

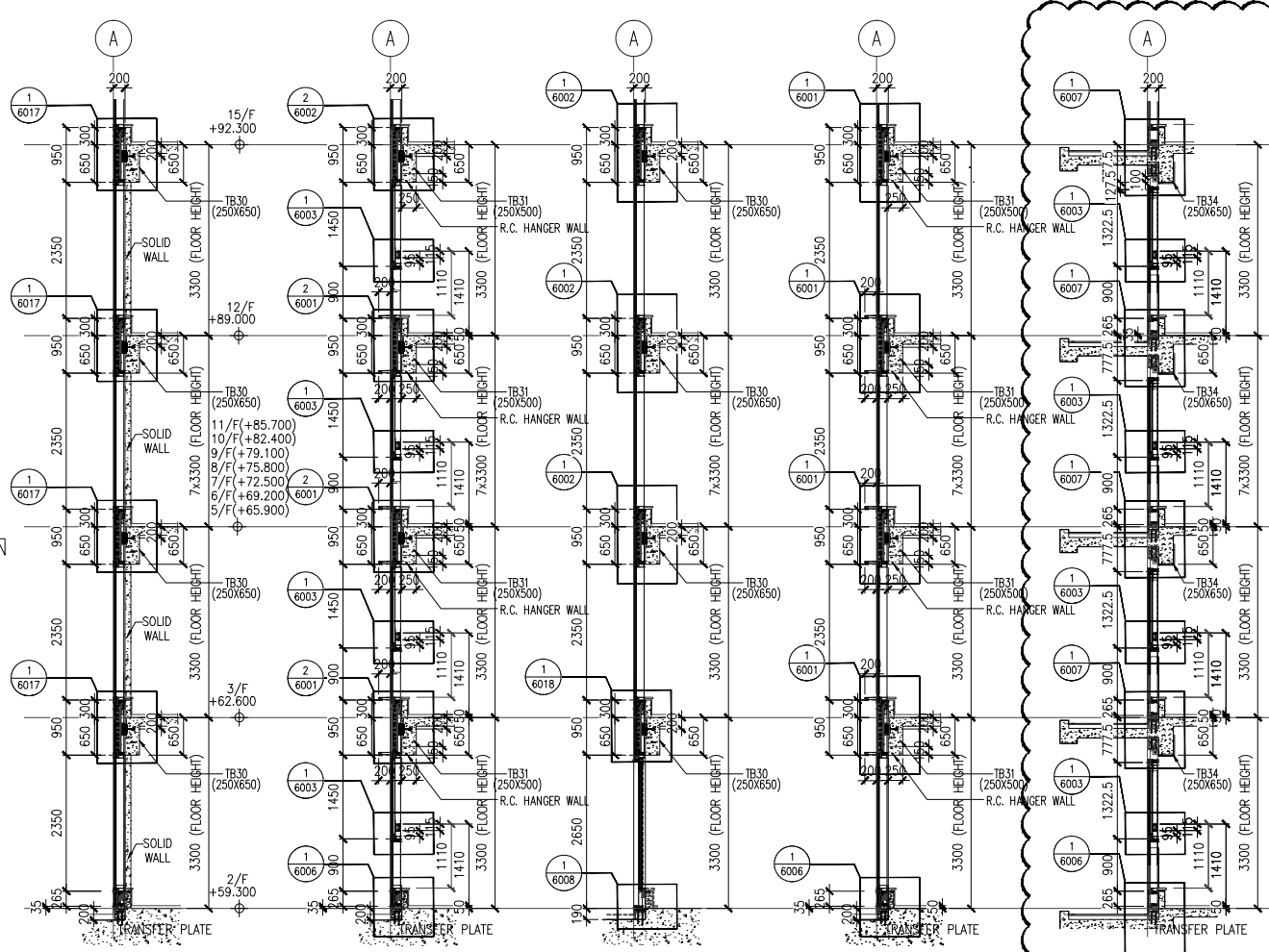
*發件人簽署:	*組別成員批核簽署:
傳遞編號:	項目經理簽署: 

大明在1月30日修改設計, 加鋁板

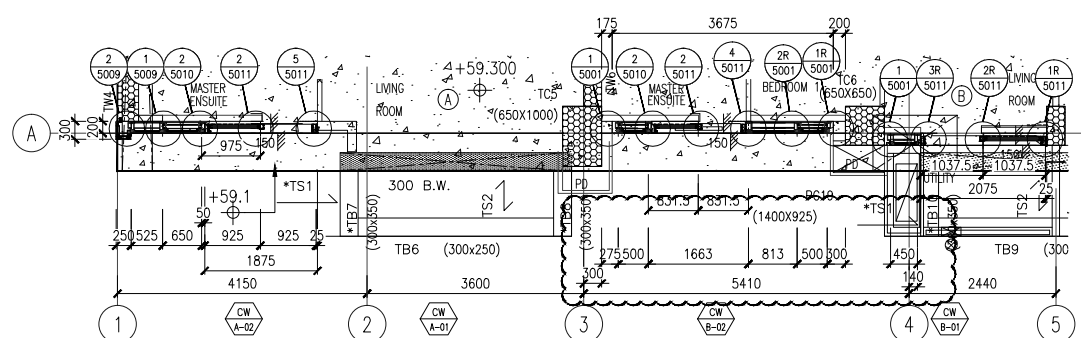
● = RESTRAINT SOCKET



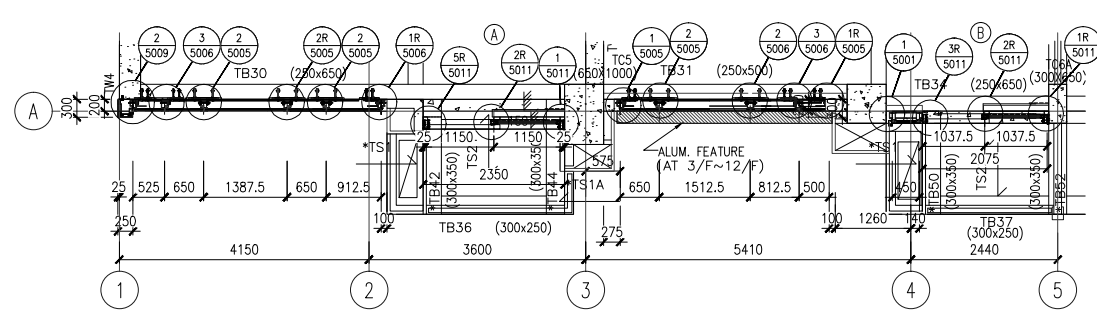
1 PART ELEVATION CURTAIN WALL



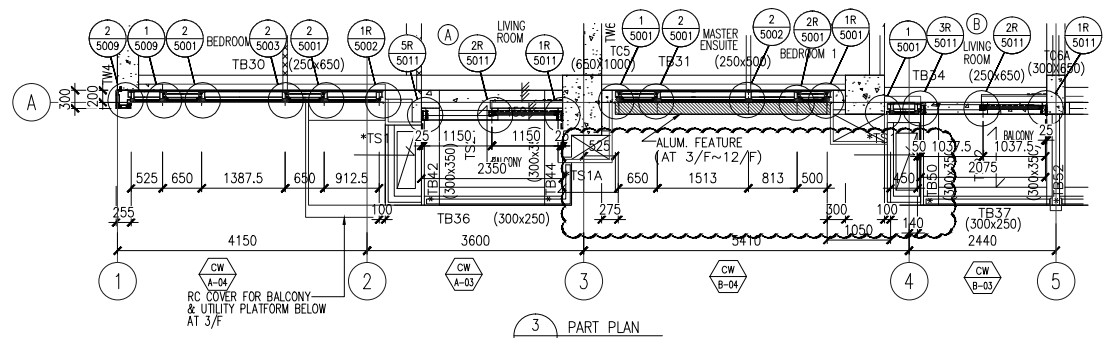
A TYPICAL SECTION CURTAIN WALL  
B TYPICAL SECTION CURTAIN WALL  
C TYPICAL SECTION CURTAIN WALL  
D TYPICAL SECTION CURTAIN WALL  
E TYPICAL SECTION CURTAIN WALL



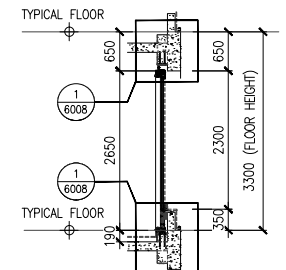
2 PART PLAN (2/F) CURTAIN WALL



4 PART PLAN CURTAIN WALL



3 PART PLAN CURTAIN WALL



F TYPICAL SECTION CURTAIN WALL

- LEGEND :
- TG01A1 8mm HEAT STRENGTHENED GLASS + 12mm AIR SPACE + 10mm TEMPERED GLASS (IGU)
  - TG01A2 8mm HEAT STRENGTHENED GLASS + 12mm AIR SPACE + 8mm TEMPERED GLASS (IGU)
  - TG01A3 8mm HEAT STRENGTHENED GLASS WITH (FROSTED) AT SURFACE #3 + 12mm AIR SPACE + 10mm TEMPERED GLASS (IGU)
  - TG01A4 8mm HEAT STRENGTHENED GLASS + 12mm AIR SPACE + 12mm TEMPERED GLASS (IGU)
  - TG02 12mm HEAT STRENGTHENED GLASS W/2mm THK. ALUM. BACK PANEL
  - TG07 10mm CLEAR TEMPERED GLASS
  - TM05 3mm THK ALUM. CLADDING DARK GREY COLOUR CODE: KM3E97023C (ALL CURTAIN WALL MULLION & TRANSOM FRAME IN DARK GREY COLOUR)
- F. - FIXED GLASS  
S.H. - SIDE HUNG OPENABLE WINDOW  
▲ - SUPPORT POINT (WIND LOAD + DEAD LOAD)  
▲ - SUPPORT POINT (WIND LOAD)  
S.J. - STACK JOINT REF TO J861-SD-CW-5016

NOTE :  
1. ALL DIMENSIONS ARE IN mm.  
2. ALL ELEVATIONS ARE VIEWED FROM OUTSIDE.  
3. ALL DIMENSIONS TO BE VERIFIED ON SITE BEFORE FABRICATION.

LEGEND :  
X1 - DETAIL MARK NO.  
X001 - REFER SHEET NO.  
1. F.F.L. --- FINISHED FLOOR LEVEL  
2. S.F.L. --- STRUCTURAL FLOOR LEVEL  
3. (R) --- REVERSED DETAIL

B	8/11/2024	GENERAL REVISED	
A	16/9/2024	GENERAL REVISED	
No.	DATE	REVISED	BY

CLIENT :  
MILLION BASE PROPERTIES LIMITED

ARCHITECT :  
WONG TUNG & PARTNERS LIMITED  
ARCHITECTS & PLANNERS

STRUCTURAL ENGINEER :  
SWW & ASSOCIATES LTD.  
STRUCTURAL ENGINEERS & ARCHITECTS

MAIN CONTRACTOR :  
顯利工程有限公司  
HIEN LEE ENGINEERING CO., LTD.

美特鋁質有限公司  
MIDI ALUMINIUM FABRICATOR LTD.  
Units 6-8, Sunray Industrial Centre, 1/F  
610 Cha Kwo Ling Road, Kowloon  
Tel: 23489211-4 Fax: (852) 2727666

JOB NO. : J-861

PROJECT :  
PROPOSED RESIDENTIAL DEVELOPMENT AT NOS. 3-6 GLENEALY, CENTRAL, HONG KONG

TITLE :  
PART ELEVATION FOR CURTAIN WALL

DATE : 06-Sep.-24 SCALE : 1:60(A1)

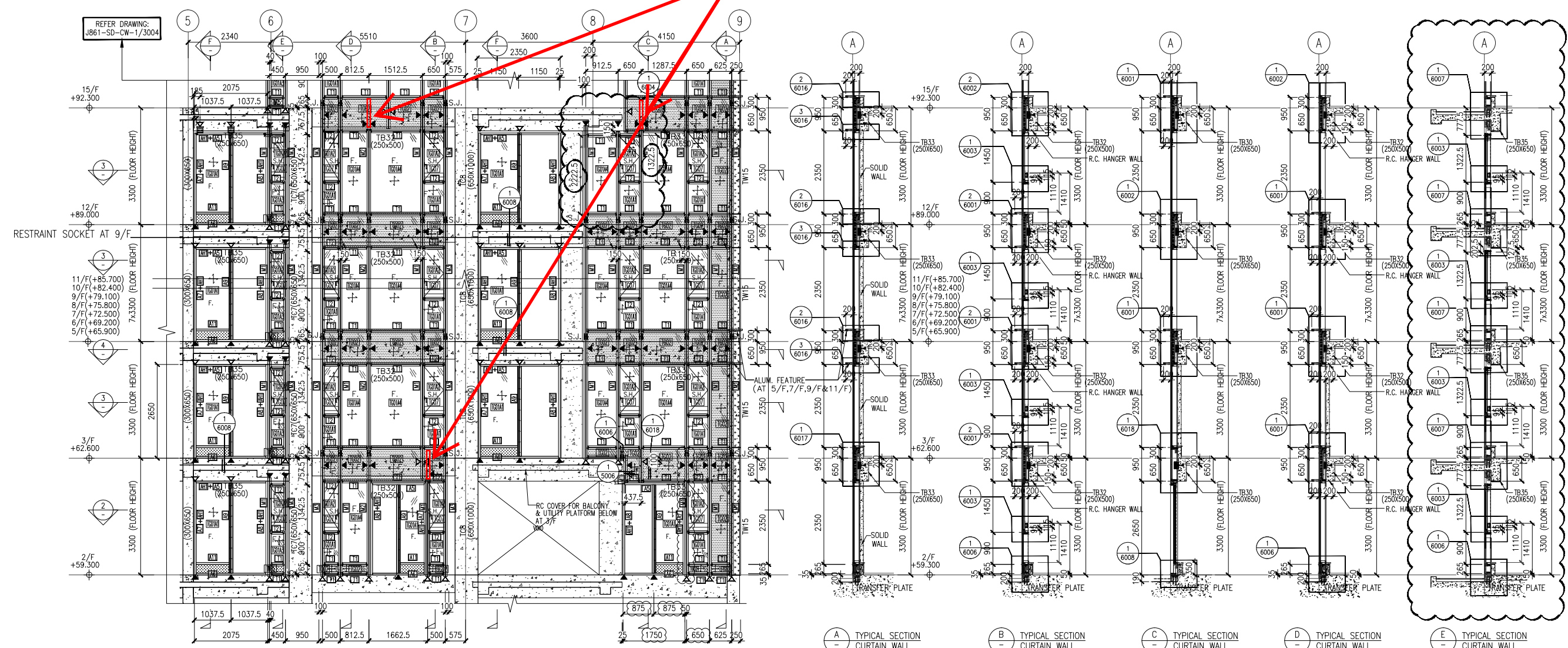
DRAWN BY : Asing CHECKED BY :

DWG NO. : J861-SD-CW-3001 REV. : B

WONG TUNG & PARTNERS LTD.	
APPROVED	
APPROVED AS NOTED	
APPROVED AS NOTED & RESUBMIT	
RESUBMIT	
NO COMMENT	
REFER OTHER CONSULTANT'S COMMENTS	
Reviewed for compliance with the design intent. Comments made shall apply to all similar conditions & details, not just the ones cited. The approval shall not be construed as relieving the contractor for compliance with the contract documents & requirements.	
Reviewed By	Date

大明在1月30日修改設計, 加鋁板

● = RESTRAINT SOCKET



1 PART ELEVATION CURTAIN WALL

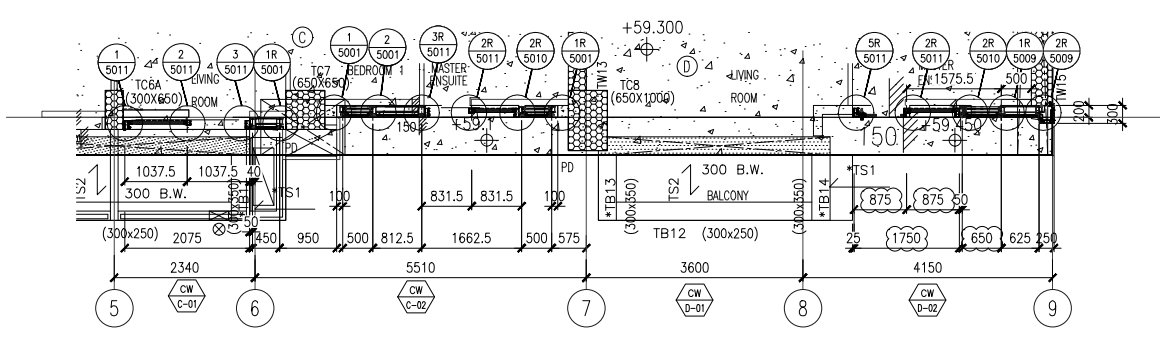
A TYPICAL SECTION CURTAIN WALL

B TYPICAL SECTION CURTAIN WALL

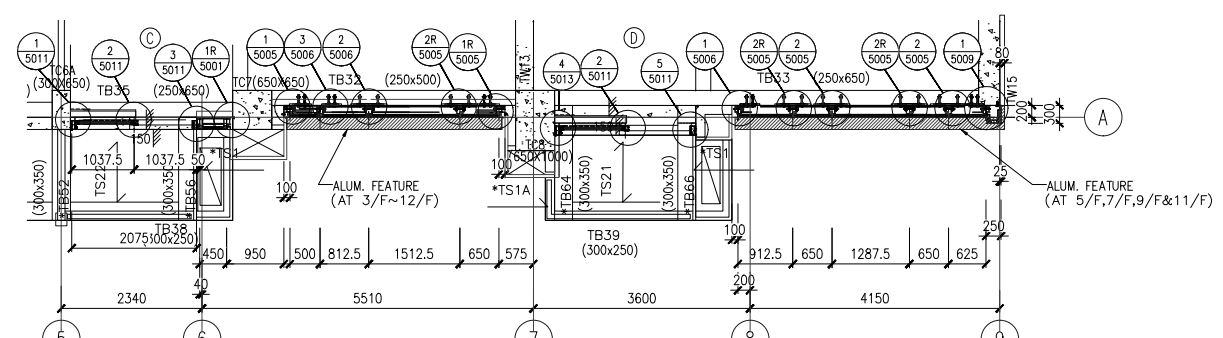
C TYPICAL SECTION CURTAIN WALL

D TYPICAL SECTION CURTAIN WALL

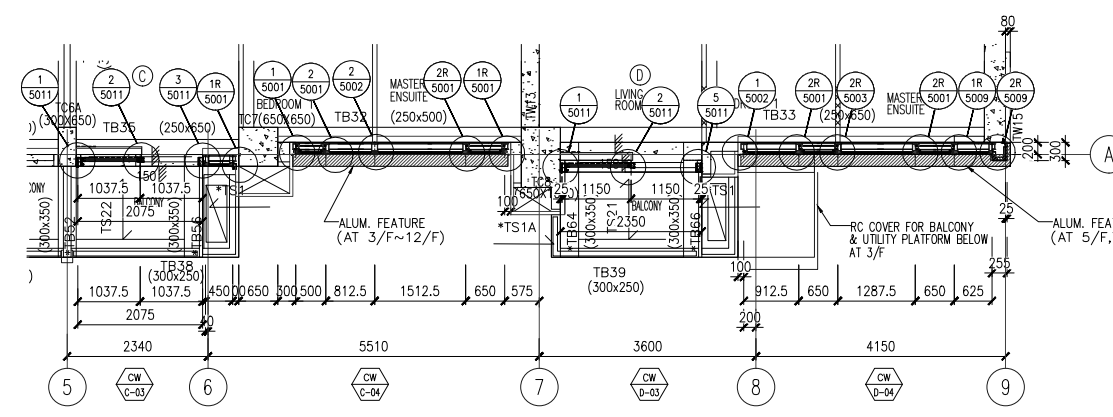
E TYPICAL SECTION CURTAIN WALL



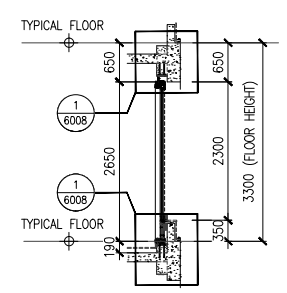
2 PART PLAN (2/F) CURTAIN WALL



4 PART PLAN CURTAIN WALL



3 PART PLAN CURTAIN WALL



F TYPICAL SECTION CURTAIN WALL

- LEGEND :
- TG01A1 8mm HEAT STRENGTHENED GLASS + 12mm AIR SPACE + 10mm TEMPERED GLASS (IGU)
  - TG01A2 8mm HEAT STRENGTHENED GLASS + 12mm AIR SPACE + 8mm TEMPERED GLASS (IGU)
  - TG01A3 8mm HEAT STRENGTHENED GLASS WITH (FROSTED) AT SURFACE #3 + 12mm AIR SPACE + 10mm TEMPERED GLASS (IGU)
  - TG01A4 8mm HEAT STRENGTHENED GLASS + 12mm AIR SPACE + 12mm TEMPERED GLASS (IGU)
  - TG02 12mm HEAT STRENGTHENED GLASS W/2mm THK. ALUM. BACK PANEL
  - TG07 10mm CLEAR TEMPERED GLASS
  - TM05 3mm THK ALUM. CLADDING DARK GREY COLOUR CODE: KM3E97023C (ALL CURTAIN WALL MULLION & TRANSOM FRAME IN DARK GREY COLOUR)
  - F. - FIXED GLASS
  - S.H. - SIDE HUNG OPENABLE WINDOW
  - ▲ - SUPPORT POINT (WIND LOAD + DEAD LOAD)
  - ▲ - SUPPORT POINT (WIND LOAD)
  - S.J. - STACK JOINT REF TO J861-SD-CW-5016

NOTE :

- ALL DIMENSIONS ARE IN mm.
- ALL ELEVATIONS ARE VIEWED FROM OUTSIDE.
- ALL DIMENSIONS TO BE VERIFIED ON SITE BEFORE FABRICATION.

LEGEND :

X1 - DETAIL MARK NO.  
X001 - REFER SHEET NO.

- F.F.L. --- FINISHED FLOOR LEVEL
- S.F.L. --- STRUCTURAL FLOOR LEVEL
- ↔ --- REVERSED DETAIL

B	8/11/2024	GENERAL REVISED	
A	16/9/2024	GENERAL REVISED	
NO.	DATE	REVISED	BY

CLIENT :  
MILLION BASE PROPERTIES LIMITED

ARCHITECT :  
WONG TUNG & PARTNERS LIMITED  
ARCHITECTS & PLANNERS

STRUCTURAL ENGINEER :  
SWW & ASSOCIATES LTD.  
STRUCTURAL ENGINEERS & ARCHITECTURAL ENGINEERS

MAIN CONTRACTOR :  
顯利工程有限公司  
HIEN LEE ENGINEERING CO., LTD.

美特鋁質有限公司  
MIDI ALUMINIUM FABRICATOR LTD.  
Units 6-8, Sunray Industrial Centre, 1/F  
610 Cha Kwo Ling Road, Kowloon  
Tel: 23489211-4 Fax: (852) 2727666

JOB NO. : J-861

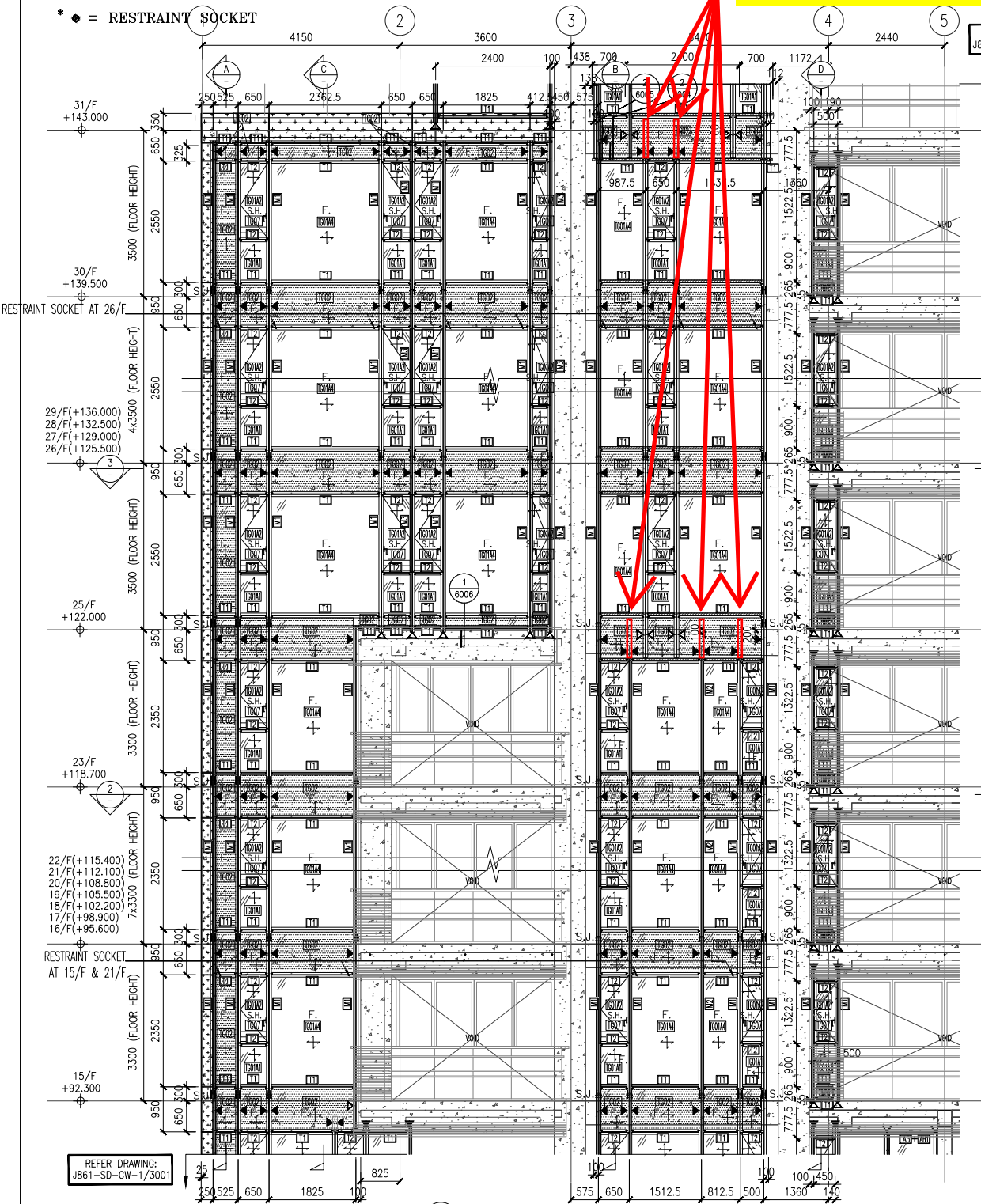
PROJECT :  
PROPOSED RESIDENTIAL DEVELOPMENT AT NOS. 3-6 GLENEALY, CENTRAL, HONG KONG

TITLE :  
PART ELEVATION FOR CURTAIN WALL

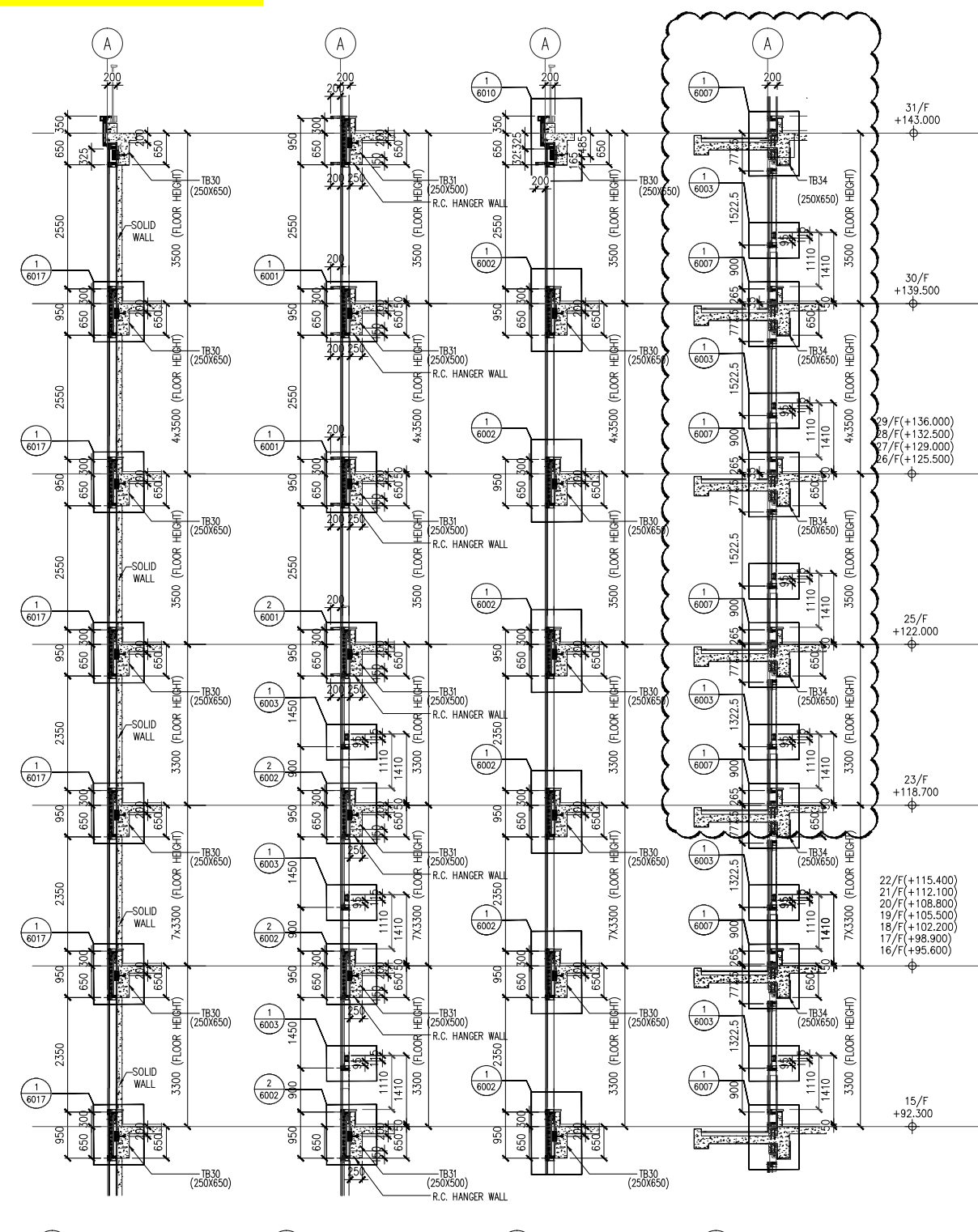
DATE : 06-Sep.-24	SCALE : 1:60(A1)
DRAWN BY : Asing	CHECKED BY :
DWG NO. : J861-SD-CW-3002	REV. : B

WONG TUNG & PARTNERS LTD.	
APPROVED	
APPROVED AS NOTED	
APPROVED AS NOTED & RESUBMIT	
RESUBMIT	
NO COMMENT	
REFER OTHER CONSULTANT'S COMMENTS	
Reviewed for compliance with the design intent. Comments made shall apply to all similar conditions & details, not just the ones cited.	
The approval shall not be construed as relieving the contractor for compliance with the contract documents & requirements.	
Reviewed By	Date

大明在1月30日修改設計,加鋁板



1 PART ELEVATION CURTAIN WALL

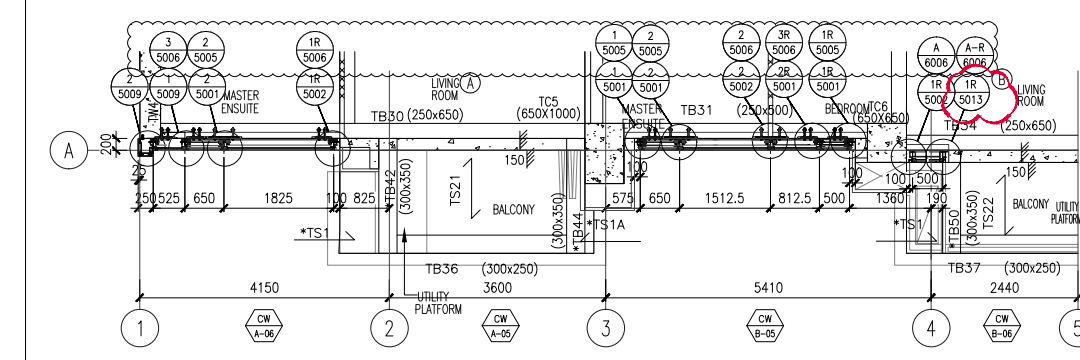


A TYPICAL SECTION CURTAIN WALL

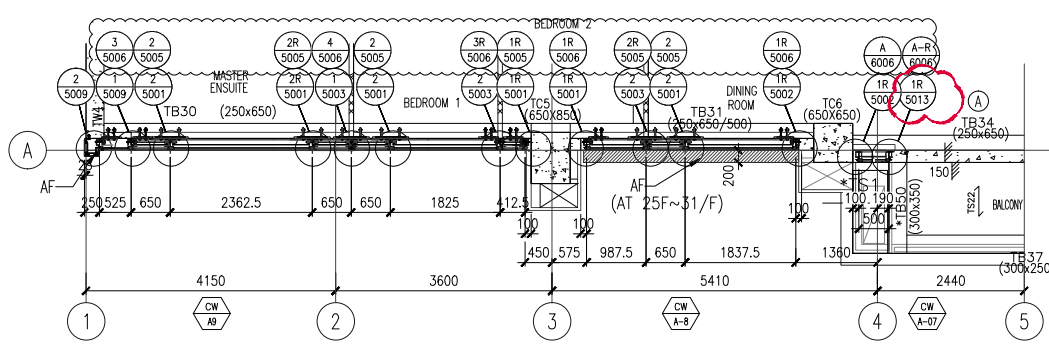
B TYPICAL SECTION CURTAIN WALL

C TYPICAL SECTION CURTAIN WALL

D TYPICAL SECTION CURTAIN WALL



2 PART PLAN CURTAIN WALL



3 PART PLAN CURTAIN WALL

- LEGEND :
- TG01A1 8mm HEAT STRENGTHENED GLASS + 12mm AIR SPACE + 10mm TEMPERED GLASS (IGU)
  - TG01A2 8mm HEAT STRENGTHENED GLASS + 12mm AIR SPACE + 8mm TEMPERED GLASS (IGU)
  - TG01A3 8mm HEAT STRENGTHENED GLASS WITH (FROSTED) AT SURFACE #3 + 12mm AIR SPACE + 10mm TEMPERED GLASS (IGU)
  - TG01A4 8mm HEAT STRENGTHENED GLASS + 12mm AIR SPACE + 12mm TEMPERED GLASS (IGU)
  - TG02 12mm HEAT STRENGTHENED GLASS W/2mm THK. ALUM. BACK PANEL
  - TG07 10mm CLEAR TEMPERED GLASS
  - TM05 3mm THK ALUM. CLADDING DARK GREY COLOUR CODE: KM3E97023C (\*ALL CURTAIN WALL MULLION & TRANSOM FRAME IN DARK GREY COLOUR)
- F. - FIXED GLASS  
 S.H. - SIDE HUNG OPENABLE WINDOW  
 ▲ - SUPPORT POINT (WIND LOAD + DEAD LOAD)  
 ◀ - SUPPORT POINT (WIND LOAD)  
 S.J. - STACK JOINT REF TO J861-SD-CW-5016

NOTE :

- ALL DIMENSIONS ARE IN mm.
- ALL ELEVATIONS ARE VIEWED FROM OUTSIDE.
- ALL DIMENSIONS TO BE VERIFIED ON SITE BEFORE FABRICATION.

LEGEND :

X1 - DETAIL MARK NO.  
 X001 - REFER SHEET NO.

- F.F.L. --- FINISHED FLOOR LEVEL
- S.F.L. --- STRUCTURAL FLOOR LEVEL
- ⊗ --- REVERSED DETAIL

B	8/11/2024	GENERAL REVISED	
A	16/9/2024	GENERAL REVISED	
NO.	DATE	REVISED	BY

CLIENT :  
MILLION BASE PROPERTIES LIMITED

ARCHITECT :  
**WONG TUNG & PARTNERS LIMITED**  
ARCHITECTS & PLANNERS

STRUCTURAL ENGINEER :  
**SWW SYW & ASSOCIATES LTD.**  
邵賢偉建築工程師

MAIN CONTRACTOR :  
**顯利工程有限公司**  
HIEN LEE ENGINEERING CO., LTD.

**美特鋁質有限公司**  
MIDI ALUMINIUM FABRICATOR LTD.  
Units 6-8, Sunray Industrial Centre, 1/F  
610 Cha Kwo Ling Road, Kowloon  
Tel: 23489211-4 Fax: (852) 2727666

JOB NO. : J-861

PROJECT :  
PROPOSED RESIDENTIAL DEVELOPMENT AT NOS. 3-6 GLENEALY, CENTRAL, HONG KONG

TITLE :  
PART ELEVATION FOR CURTAIN WALL

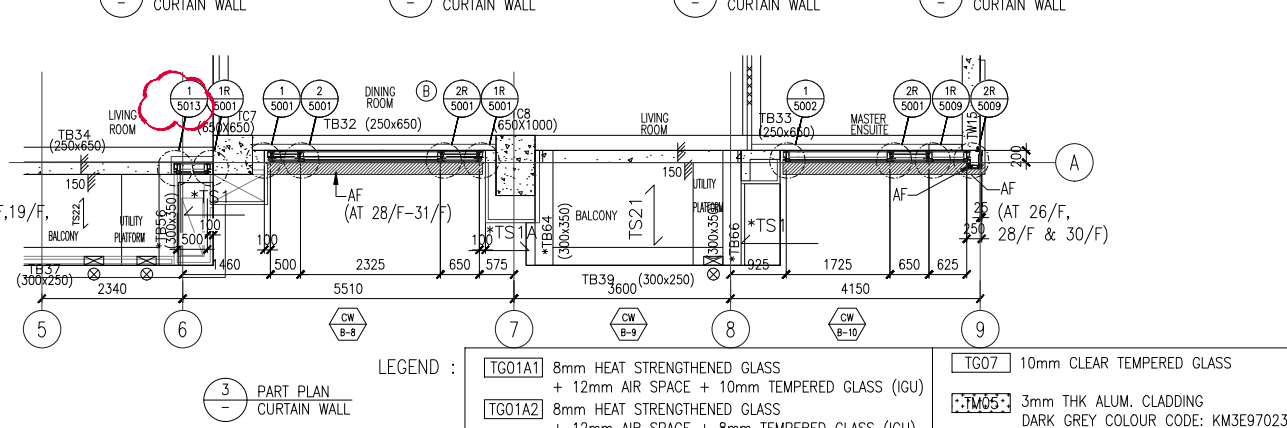
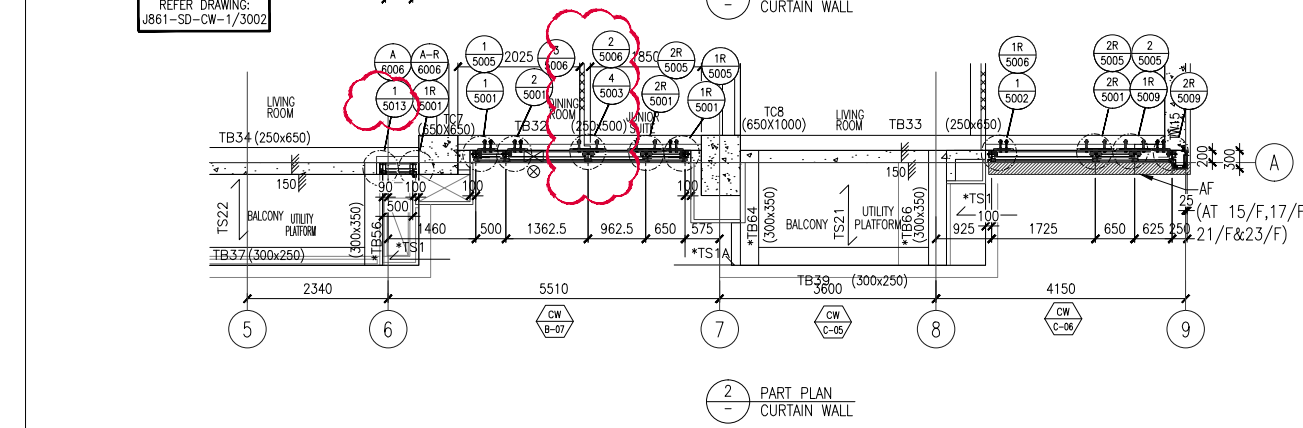
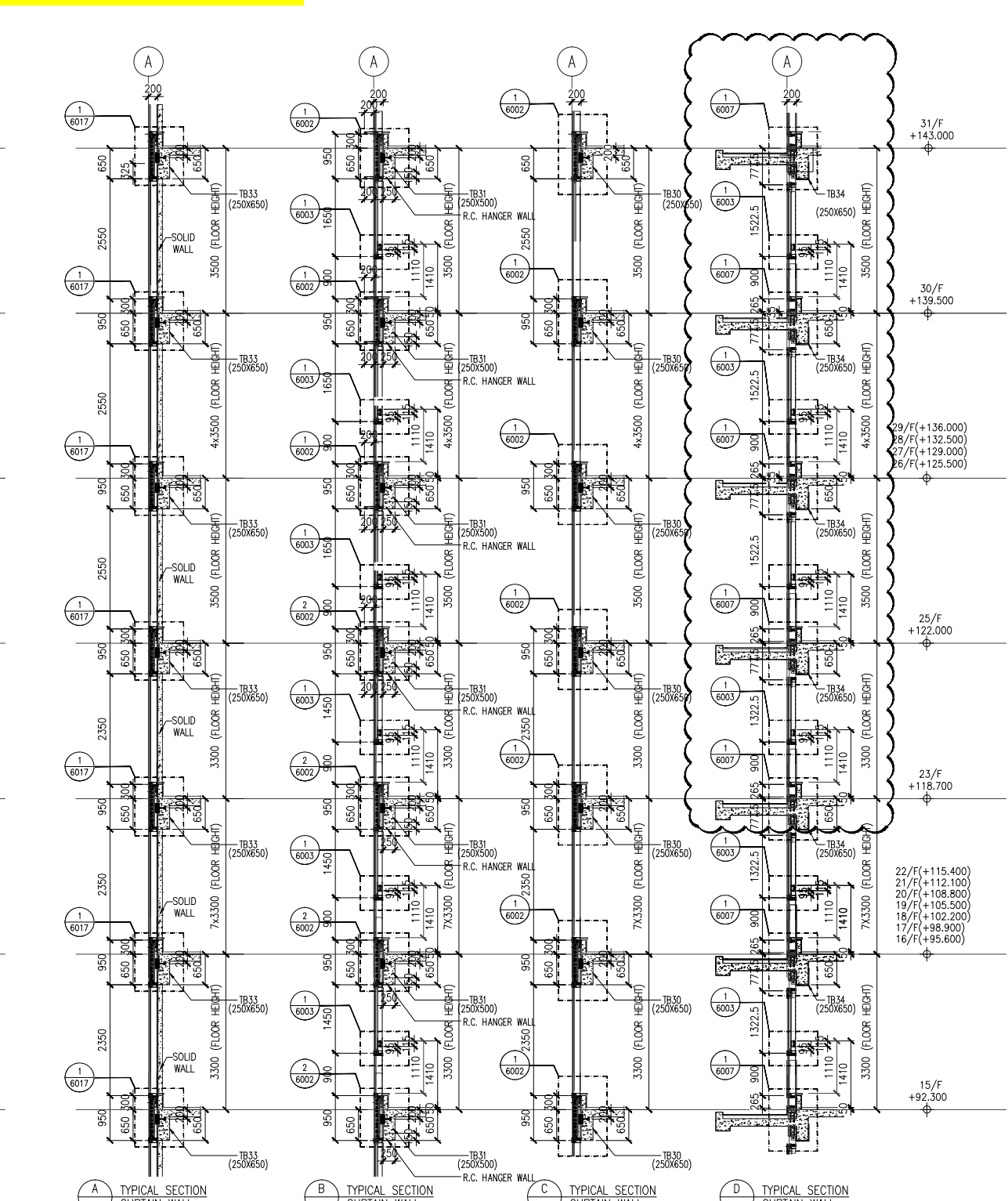
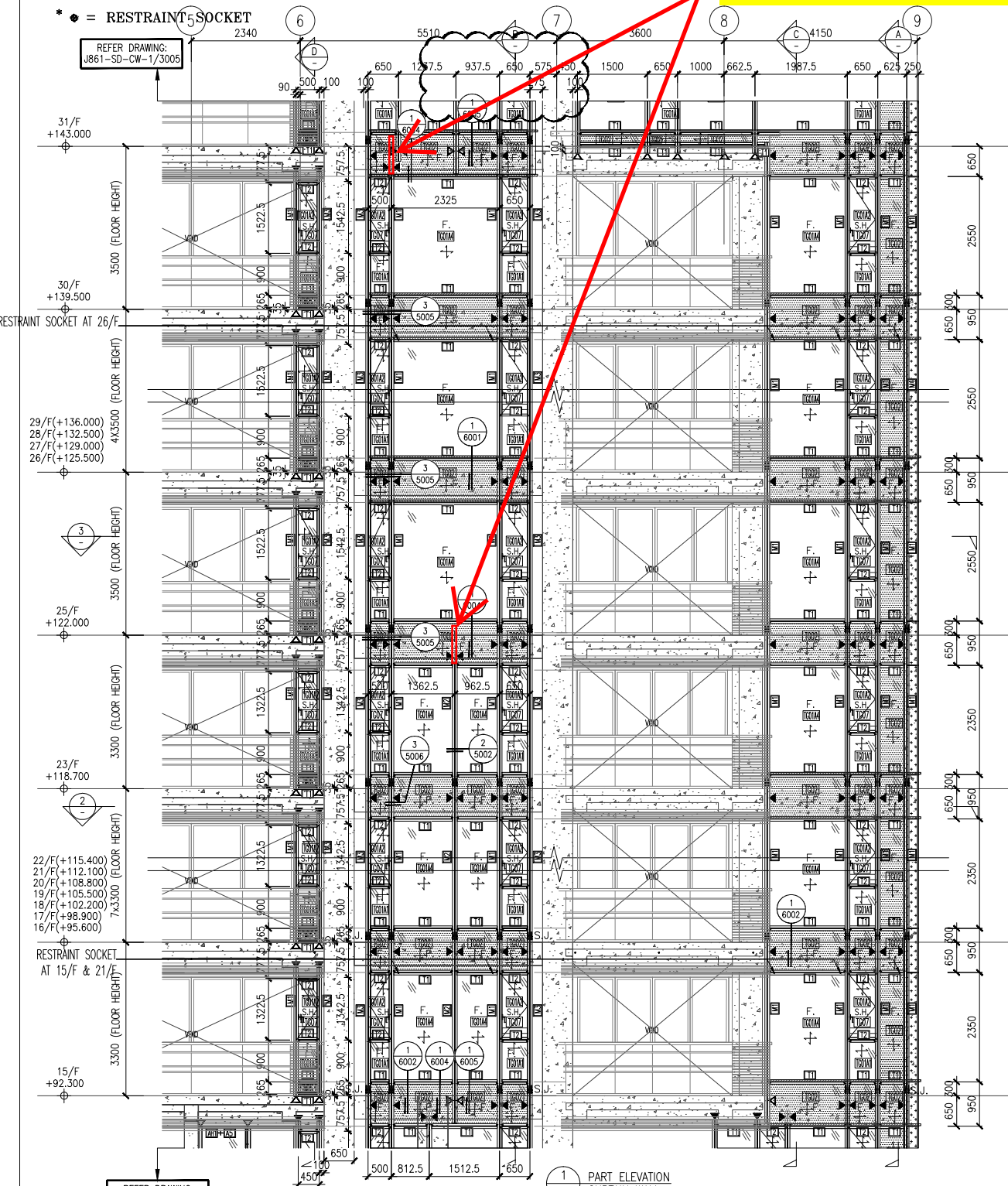
DATE : 06-Sep.-24 SCALE : 1:60(A1)

DRAWN BY : Asing CHECKED BY :

DWG NO. : J861-SD-CW-3003 REV. : B

WONG TUNG & PARTNERS LTD.	
APPROVED	
APPROVED AS NOTED	
APPROVED AS NOTED & RESUBMIT	
RESUBMIT	
NO COMMENT	
REFER OTHER CONSULTANT'S COMMENTS	
Reviewed for compliance with the design intent. Comments made shall apply to all similar conditions & details, not just the ones cited. The approval shall not be construed as relieving the contractor for compliance with the contract documents & requirements.	
Reviewed By	Date

大明在1月30日修改設計,加鋁板



- LEGEND :
- TG01A1 8mm HEAT STRENGTHENED GLASS + 12mm AIR SPACE + 10mm TEMPERED GLASS (IGU)
  - TG01A2 8mm HEAT STRENGTHENED GLASS + 12mm AIR SPACE + 8mm TEMPERED GLASS (IGU)
  - TG01A3 8mm HEAT STRENGTHENED GLASS WITH (FROSTED) AT SURFACE #3 + 12mm AIR SPACE + 10mm TEMPERED GLASS (IGU)
  - TG01A4 8mm HEAT STRENGTHENED GLASS + 12mm AIR SPACE + 12mm TEMPERED GLASS (IGU)
  - TG02 12mm HEAT STRENGTHENED GLASS W/2mm THK. ALUM. BACK PANEL
  - TG07 10mm CLEAR TEMPERED GLASS
  - FM05 3mm THK ALUM. CLADDING DARK GREY COLOUR CODE: KM3E97023C (ALL CURTAIN WALL MULLION & TRANSOM FRAME IN DARK GREY COLOUR)
- F. - FIXED GLASS  
 S.H. - SIDE HUNG OPENABLE WINDOW  
 ▲ - SUPPORT POINT (WIND LOAD + DEAD LOAD)  
 ◀ - SUPPORT POINT (WIND LOAD)  
 S.J. - STACK JOINT REF TO J861-SD-CW-5016

NOTE :

- ALL DIMENSIONS ARE IN mm.
- ALL ELEVATIONS ARE VIEWED FROM OUTSIDE.
- ALL DIMENSIONS TO BE VERIFIED ON SITE BEFORE FABRICATION.

LEGEND :

⊗1 - DETAIL MARK NO.  
 ⊗001 - REFER SHEET NO.

- F.F.L. --- FINISHED FLOOR LEVEL
- S.F.L. --- STRUCTURAL FLOOR LEVEL
- ⊗ --- REVERSED DETAIL

B	8/11/2024	GENERAL REVISED	
A	16/9/2024	GENERAL REVISED	
NO.	DATE	REVISED	BY

CLIENT :  
**MILLION BASE PROPERTIES LIMITED**

ARCHITECT :  
**WONG TUNG & PARTNERS LIMITED**  
 ARCHITECTS & PLANNERS

STRUCTURAL ENGINEER :  
**SWW | SYW & ASSOCIATES LTD.**  
 邵賢偉建築工程師

MAIN CONTRACTOR :  
**顯利工程有限公司**  
 HIEN LEE ENGINEERING CO., LTD.

**美特鋁質有限公司**  
 MIDI ALUMINIUM FABRICATOR LTD.  
 Units 6-8, Sunray Industrial Centre, 1/F  
 610 Cha Kwo Ling Road, Kowloon  
 Tel: 23489211-4 Fax: (852) 2727666

JOB NO. : J-861

PROJECT :  
 PROPOSED RESIDENTIAL DEVELOPMENT AT NOS. 3-6 GLENEALY, CENTRAL, HONG KONG

TITLE :  
 PART ELEVATION FOR CURTAIN WALL

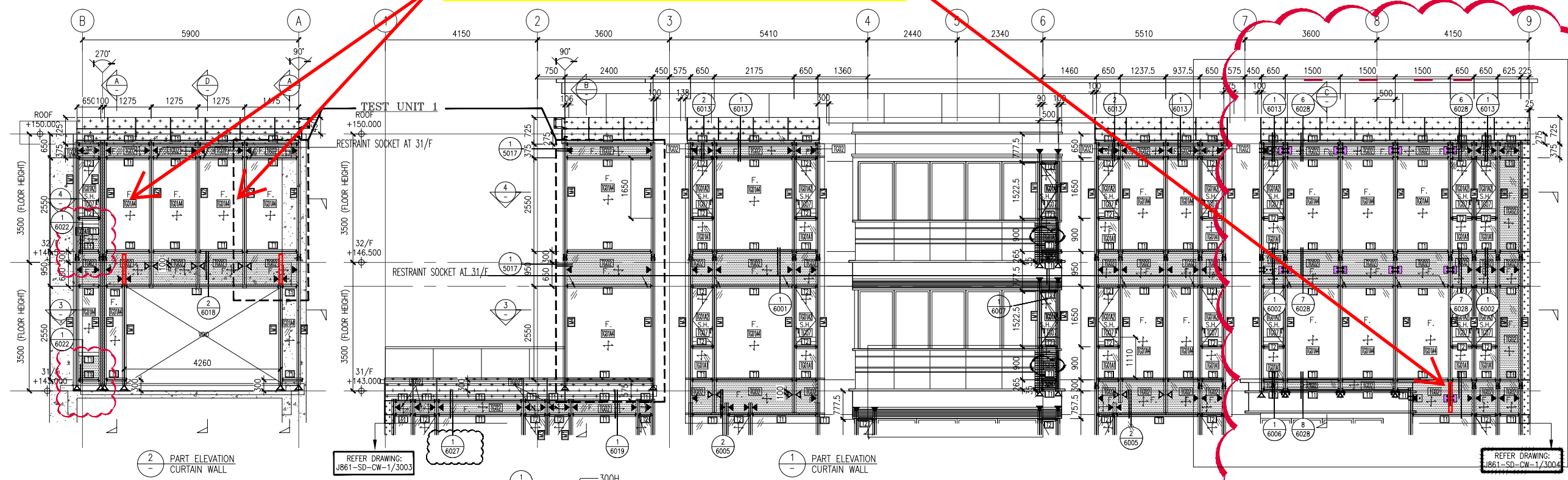
DATE : 06-Sep.-24 SCALE : 1:60(A1)

DRAWN BY : Asing CHECKED BY :

DWG NO. : J861-SD-CW-3004 REV. : C

WONG TUNG & PARTNERS LTD.	
APPROVED	
APPROVED AS NOTED	
APPROVED AS NOTED & RESUBMIT	
RESUBMIT	
NO COMMENT	
REFER OTHER CONSULTANT'S COMMENTS	
Reviewed for compliance with the design intent. Comments made shall apply to all similar conditions & details, not just the ones cited. The approval shall not be construed as relieving the contractor for compliance with the contract documents & requirements.	
Reviewed By	Date

大明在1月30日修改設計,加鋁板



NOTE:  
 1. ALL DIMENSIONS ARE IN mm.  
 2. ALL ELEVATIONS ARE VIEWED FROM OUTSIDE.  
 3. ALL DIMENSIONS TO BE VERIFIED ON SITE BEFORE FABRICATION.

LEGEND:  
 (X1) --- DETAIL MARK NO.  
 (X001) --- REFER SHEET NO.

1. F.F.L. --- FINISHED FLOOR LEVEL  
 2. S.F.L. --- STRUCTURAL FLOOR LEVEL  
 3. (R) --- REVERSED DETAIL

B	8/11/2024	GENERAL REVISED	
A	16/9/2024	GENERAL REVISED	
NO.	DATE	REVISED	BY

CLIENT :  
 MILLION BASE PROPERTIES LIMITED

ARCHITECT :  
**WONG TUNG & PARTNERS LIMITED**  
 ARCHITECTS & PLANNERS

STRUCTURAL ENGINEER :  
**SWW | SYW & ASSOCIATES LTD.**  
 邵賢偉建築工程師

MAIN CONTRACTOR :  
**顯利工程有限公司**  
 HIEN LEE ENGINEERING CO., LTD.

**美特鋁質有限公司**  
 MIDI ALUMINIUM FABRICATOR LTD.  
 Units 6-8, Sunray Industrial Centre, 1/F  
 610 Cha Kwo Ling Road, Kowloon  
 Tel:23489211-4 Fax:(852)2727666

JOB NO. : J-861

PROJECT :  
 PROPOSED RESIDENTIAL DEVELOPMENT AT NOS. 3-6 GLENEALY, CENTRAL, HONG KONG

TITLE :  
 PART ELEVATION FOR CURTAIN WALL

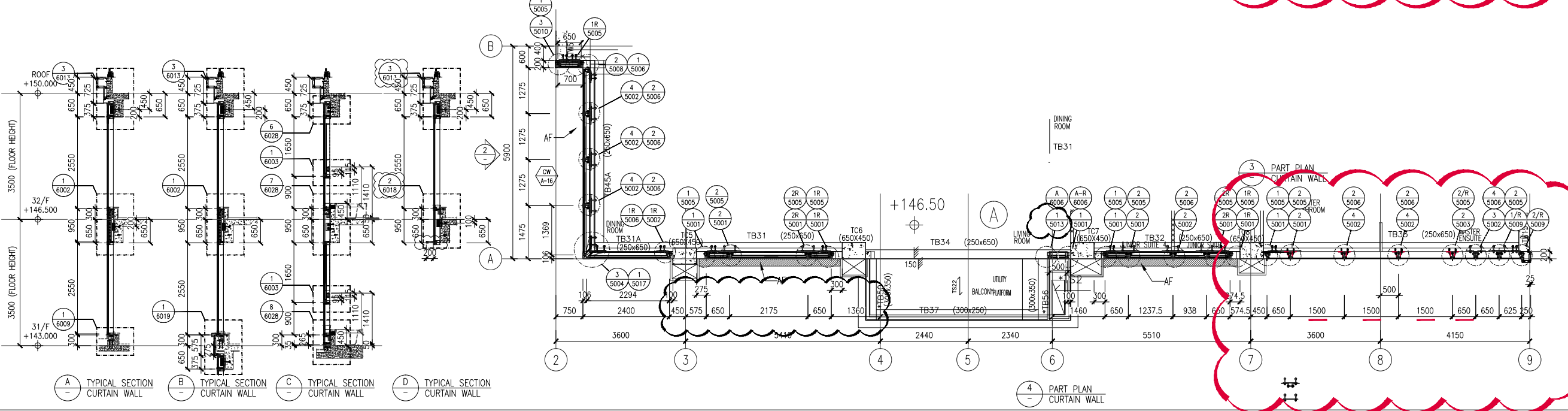
DATE : 06-Sep.-24	SCALE : 1:60(A1)
DRAWN BY : Asing	CHECKED BY :
DWG NO. : JB61-SD-CW-3005	REV. : C

LEGEND :

TG01A1 8mm HEAT STRENGTHENED GLASS + 12mm AIR SPACE + 10mm TEMPERED GLASS (IGU)  
 TG01A2 8mm HEAT STRENGTHENED GLASS + 12mm AIR SPACE + 8mm TEMPERED GLASS (IGU)  
 TG01A3 8mm HEAT STRENGTHENED GLASS WITH (FROSTED) AT SURFACE #3 + 12mm AIR SPACE + 10mm TEMPERED GLASS (IGU)  
 TG01A4 8mm HEAT STRENGTHENED GLASS + 12mm AIR SPACE + 12mm TEMPERED GLASS (IGU)  
 TG02 12mm HEAT STRENGTHENED GLASS W/2mm THK. ALUM. BACK PANEL  
 TG07 10mm CLEAR TEMPERED GLASS

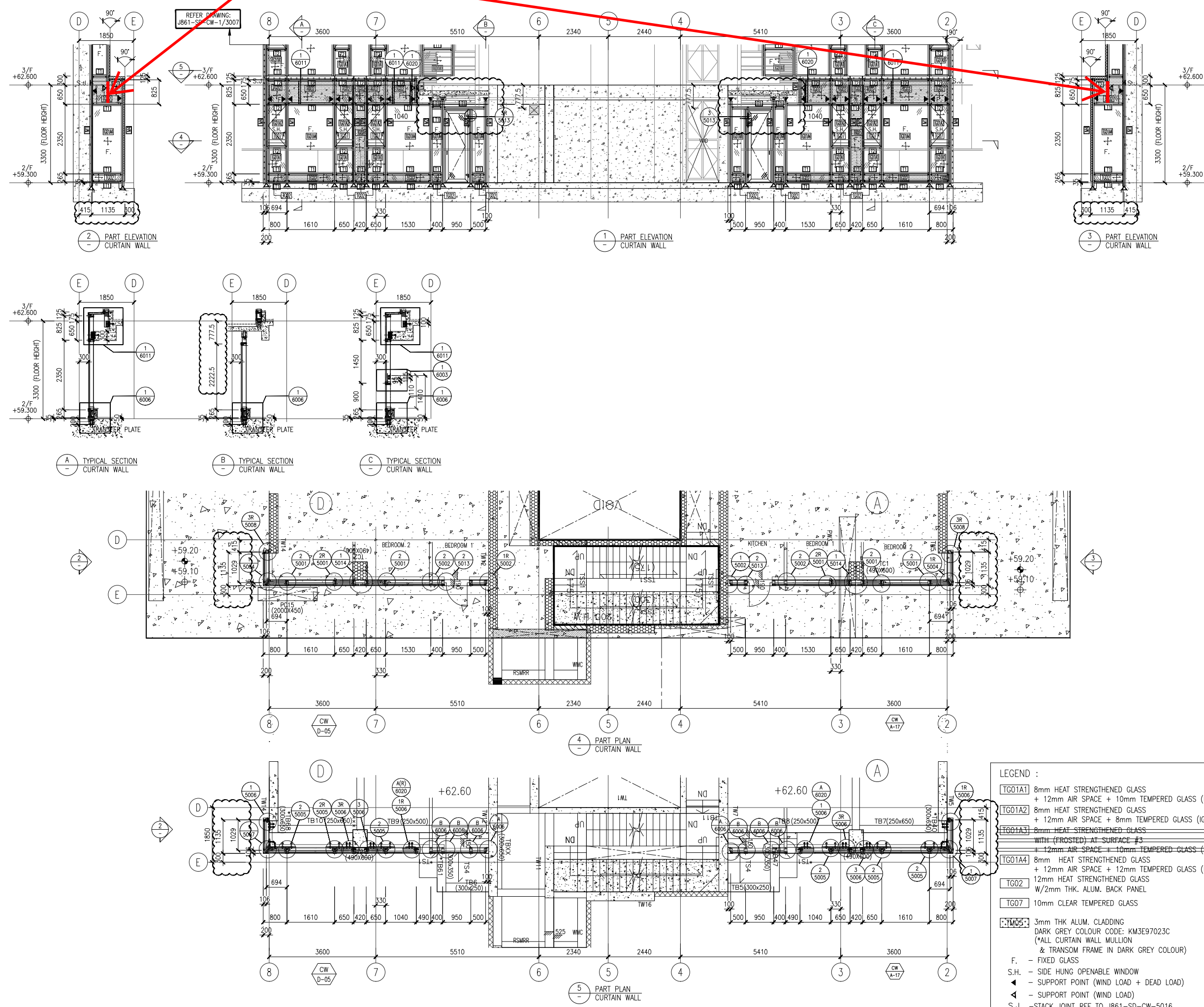
TM05 3mm THK ALUM. CLADDING DARK GREY COLOUR CODE: KM3E97023C (\*ALL CURTAIN WALL MULLION & TRANSOM FRAME IN DARK GREY COLOUR)

F. --- FIXED GLASS  
 S.H. --- SIDE HUNG OPENABLE WINDOW  
 - --- SUPPORT POINT (WIND LOAD + DEAD LOAD)  
 ▲ --- SUPPORT POINT (WIND LOAD)  
 S.J. --- STACK JOINT REF TO JB61-SD-CW-5016



WONG TUNG & PARTNERS LTD.	
APPROVED	
APPROVED AS NOTED	
APPROVED AS NOTED & RESUBMIT	
RESUBMIT	
NO COMMENT	
REFER OTHER CONSULTANT'S COMMENTS	
Reviewed for compliance with the design intent. Comments made shall apply to all similar conditions & details, not just the ones cited. The approval shall not be construed as relieving the contractor for compliance with the contract documents & requirements.	
Reviewed By	Date

大明在1月30日修改設計,加鋁板



**NOTE :**  
 1. ALL DIMENSIONS ARE IN mm.  
 2. ALL ELEVATIONS ARE VIEWED FROM OUTSIDE.  
 3. ALL DIMENSIONS TO BE VERIFIED ON SITE BEFORE FABRICATION.

**LEGEND :**  
 (X1) --- DETAIL MARK NO.  
 (X001) --- REFER SHEET NO.

1. F.F.L. --- FINISHED FLOOR LEVEL  
 2. S.F.L. --- STRUCTURAL FLOOR LEVEL  
 3. (↔) --- REVERSED DETAIL

B	8/11/2024	GENERAL REVISED	
A	16/9/2024	GENERAL REVISED	
NO.	DATE	REVISED	BY

CLIENT :  
 MILLION BASE PROPERTIES LIMITED

ARCHITECT :  
**WONG TUNG & PARTNERS LIMITED**  
 ARCHITECTS & PLANNERS

STRUCTURAL ENGINEER :  
**SYW & ASSOCIATES LTD.**  
 邵賢偉建築工程師

MAIN CONTRACTOR :  
**顯利工程有限公司**  
 HIEN LEE ENGINEERING CO., LTD.

**美特鋁質有限公司**  
 MIDI ALUMINIUM FABRICATOR LTD.  
 Units 6-8, Sunray Industrial Centre, 1/F  
 610 Cha Kwo Ling Road, Kowloon  
 Tel:23489211-4 Fax:(852)2727666

JOB NO. : J-861

PROJECT :  
 PROPOSED RESIDENTIAL DEVELOPMENT AT NOS. 3-6 GLENEALY, CENTRAL, HONG KONG

TITLE :  
 PART ELEVATION FOR CURTAIN WALL

DATE : 06-Sep.-24 SCALE : 1:60(A1)

DRAWN BY : Asing CHECKED BY :

DWG NO. : J861-SD-CW-3006 REV. : B

**LEGEND :**

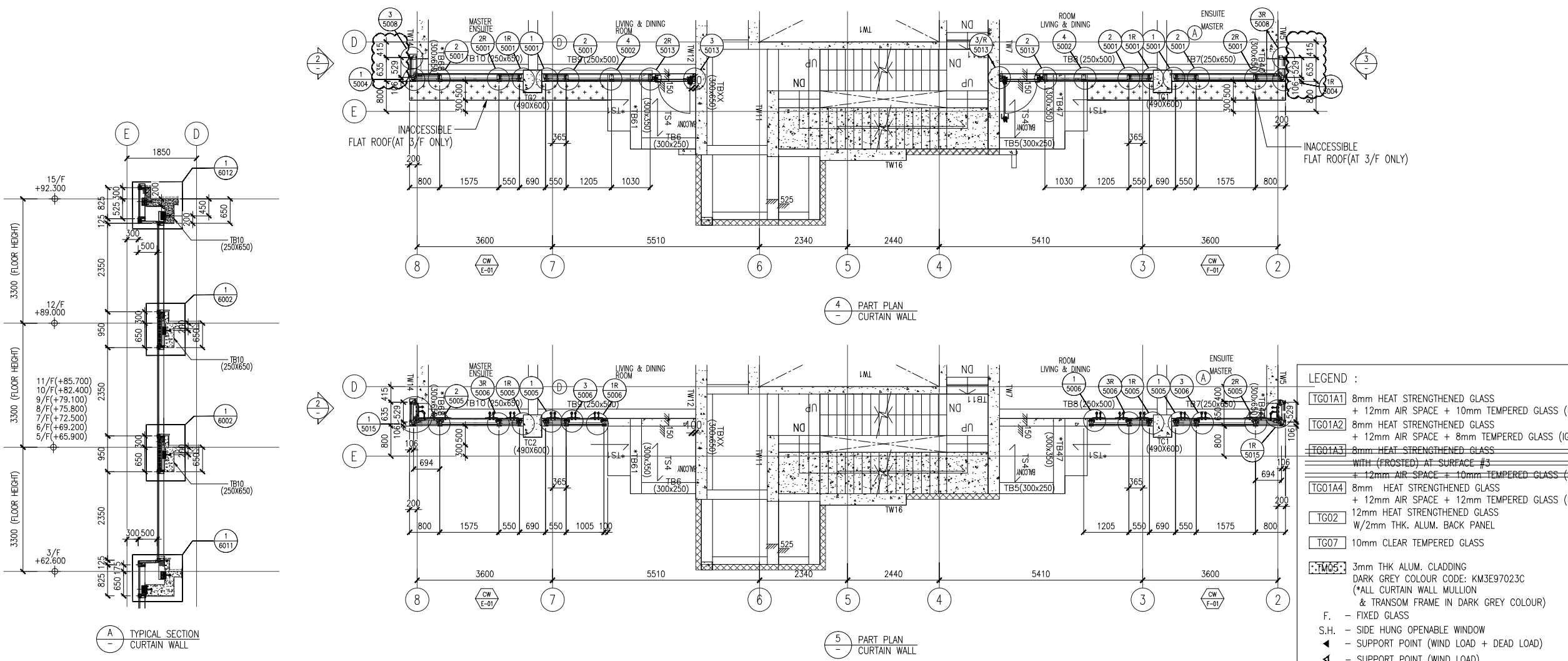
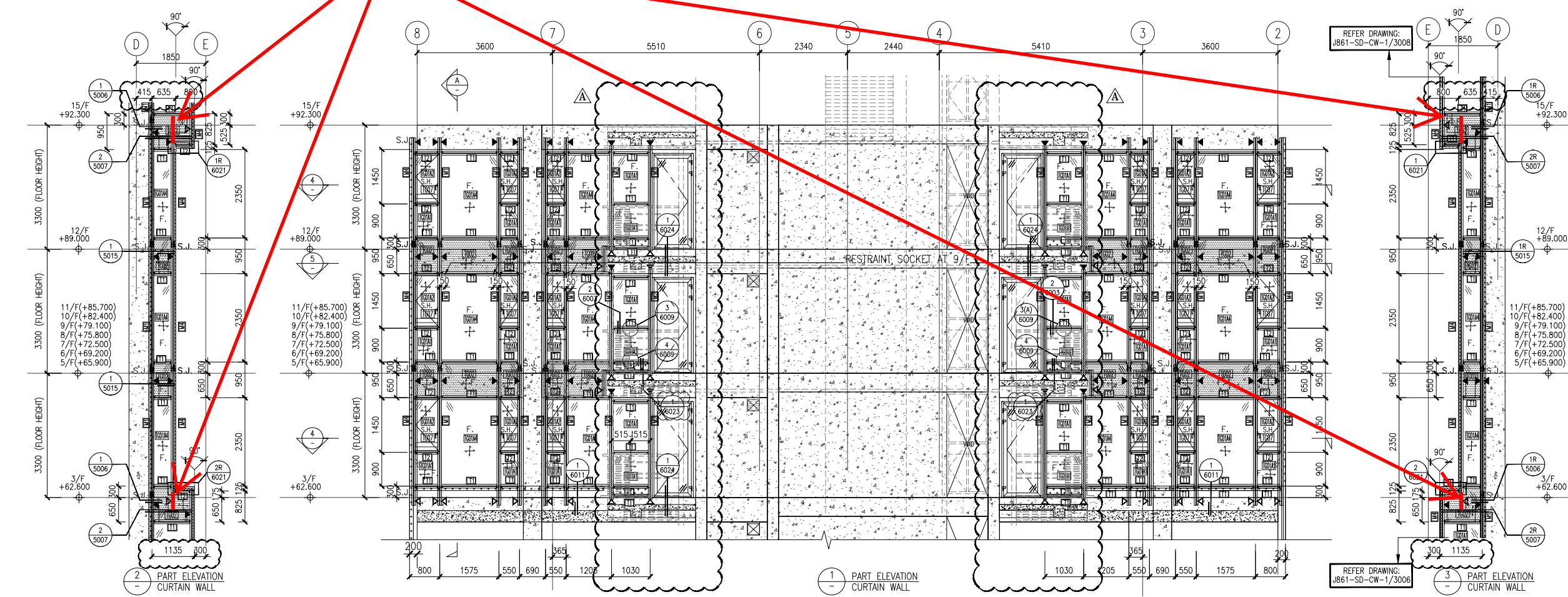
- TG01A1 8mm HEAT STRENGTHENED GLASS + 12mm AIR SPACE + 10mm TEMPERED GLASS (IGU)
- TG01A2 8mm HEAT STRENGTHENED GLASS + 12mm AIR SPACE + 8mm TEMPERED GLASS (IGU)
- TG01A3 8mm HEAT STRENGTHENED GLASS WITH (FROSTED) AT SURFACE #3 + 12mm AIR SPACE + 10mm TEMPERED GLASS (IGU)
- TG01A4 8mm HEAT STRENGTHENED GLASS + 12mm AIR SPACE + 12mm TEMPERED GLASS (IGU)
- TG02 12mm HEAT STRENGTHENED GLASS W/2mm THK. ALUM. BACK PANEL
- TG07 10mm CLEAR TEMPERED GLASS
- TM05 3mm THK ALUM. CLADDING DARK GREY COLOUR CODE: KM3E97023C (ALL CURTAIN WALL MULLION & TRANSOM FRAME IN DARK GREY COLOUR)

F. - FIXED GLASS  
 S.H. - SIDE HUNG OPENABLE WINDOW  
 ▲ - SUPPORT POINT (WIND LOAD + DEAD LOAD)  
 ◀ - SUPPORT POINT (WIND LOAD)  
 S.J. - STACK JOINT REF TO J861-SD-CW-5016

<b>WONG TUNG &amp; PARTNERS LTD.</b>	
APPROVED	
APPROVED AS NOTED	
APPROVED AS NOTED & RESUBMIT	
RESUBMIT	
NO COMMENT	
REFER OTHER CONSULTANT'S COMMENTS	
Reviewed for compliance with the design intent. Comments made shall apply to all similar conditions & details, not just the ones cited. The approval shall not be construed as relieving the contractor for compliance with the contract documents & requirements.	
Reviewed By	Date

C:\Users\381376\OneDrive\Desktop\20250225-861 CURTAIN WALL SHOPDRAWING 3rd SUBMISSION\7-861-SD-CW-3001-3014-PRAT E.L. 20250224.dwg, 06/09/25 16:23:46, DWG To PDF.pc3

大明在1月30日修改設計,加鋁板



NOTE :  
 1. ALL DIMENSIONS ARE IN mm.  
 2. ALL ELEVATIONS ARE VIEWED FROM OUTSIDE.  
 3. ALL DIMENSIONS TO BE VERIFIED ON SITE BEFORE FABRICATION.

LEGEND :  
 X1 - DETAIL MARK NO.  
 X001 - REFER SHEET NO.

1. F.F.L. --- FINISHED FLOOR LEVEL  
 2. S.F.L. --- STRUCTURAL FLOOR LEVEL  
 3. (R) --- REVERSED DETAIL

B	8/11/2024	GENERAL REVISED	
A	16/9/2024	GENERAL REVISED	
NO.	DATE	REVISED	BY

CLIENT :  
 MILLION BASE PROPERTIES LIMITED

ARCHITECT :  
**WONG TUNG & PARTNERS LIMITED**  
 ARCHITECTS & PLANNERS

STRUCTURAL ENGINEER :  
**SWW & ASSOCIATES LTD.**  
 邵登偉建築工程師

MAIN CONTRACTOR :  
**顯利工程有限公司**  
 HIEN LEE ENGINEERING CO., LTD.

**美特鋁質有限公司**  
 MIDI ALUMINIUM FABRICATOR LTD.  
 Units 6-8, Sunray Industrial Centre, 1/F  
 610 Cha Kwo Ling Road, Kowloon  
 Tel: 23489211-4 Fax: (852) 2727666

JOB NO. : J-861

PROJECT :  
 PROPOSED RESIDENTIAL DEVELOPMENT AT NOS. 3-6 GLENEALY, CENTRAL, HONG KONG

TITLE :  
 PART ELEVATION FOR CURTAIN WALL

DATE : 06-Sep.-24 SCALE : 1:60(A1)

DRAWN BY : Asing CHECKED BY :

DWG NO. : J861-SD-CW-3007 REV. : B

LEGEND :

- TG01A1 8mm HEAT STRENGTHENED GLASS + 12mm AIR SPACE + 10mm TEMPERED GLASS (IGU)
- TG01A2 8mm HEAT STRENGTHENED GLASS + 12mm AIR SPACE + 8mm TEMPERED GLASS (IGU)
- TG01A3 8mm HEAT STRENGTHENED GLASS WITH (FROSTED) AT SURFACE #3 + 12mm AIR SPACE + 10mm TEMPERED GLASS (IGU)
- TG01A4 8mm HEAT STRENGTHENED GLASS + 12mm AIR SPACE + 12mm TEMPERED GLASS (IGU)
- TG02 12mm HEAT STRENGTHENED GLASS W/2mm THK. ALUM. BACK PANEL
- TG07 10mm CLEAR TEMPERED GLASS
- TM05 3mm THK ALUM. CLADDING DARK GREY COLOUR CODE: KM3E97023C (\*ALL CURTAIN WALL MULLION & TRANSOM FRAME IN DARK GREY COLOUR)

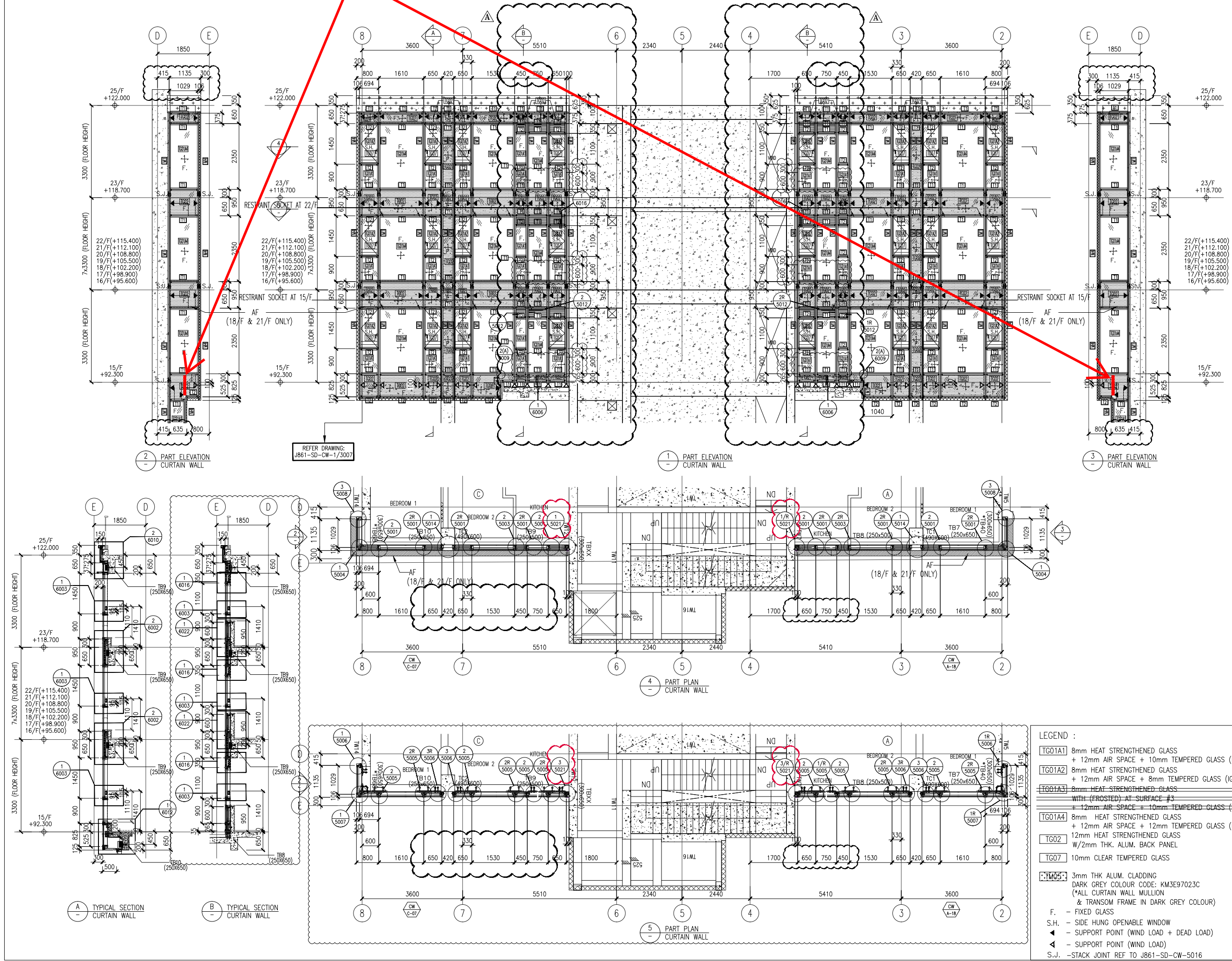
F. - FIXED GLASS  
 S.H. - SIDE HUNG OPENABLE WINDOW  
 ▲ - SUPPORT POINT (WIND LOAD + DEAD LOAD)  
 ▲ - SUPPORT POINT (WIND LOAD)  
 S.J. - STACK JOINT REF TO J861-SD-CW-5016

WONG TUNG & PARTNERS LTD.	
APPROVED	
APPROVED AS NOTED	
APPROVED AS NOTED & RESUBMIT	
RESUBMIT	
NO COMMENT	
REFER OTHER CONSULTANT'S COMMENTS	
Reviewed for compliance with the design intent. Comments made shall apply to all similar conditions & details, not just the ones cited. The approval shall not be construed as relieving the contractor for compliance with the contract documents & requirements.	
Reviewed By	Date

C:\Users\38176\OneDrive\Desktop\20250225\20250225-861 CURTAIN WALL SHOPDRAWING 3d SUBMISSION\DWG-861-SD-CW-300-3014-PRAT E.L. 20250424.dwg, 05/06/25 16:30:59, DWG TO PDF.ppt

大明在1月30日修改設計,加鋁板

● = RESTRAINT SOCKET



**NOTE :**  
 1. ALL DIMENSIONS ARE IN mm.  
 2. ALL ELEVATIONS ARE VIEWED FROM OUTSIDE.  
 3. ALL DIMENSIONS TO BE VERIFIED ON SITE BEFORE FABRICATION.

**LEGEND :**  
 X1 - DETAIL MARK NO.  
 X001 - REFER SHEET NO.

1. F.F.L. --- FINISHED FLOOR LEVEL  
 2. S.F.L. --- STRUCTURAL FLOOR LEVEL  
 3. (R) --- REVERSED DETAIL

B	8/11/2024	GENERAL REVISED	
A	16/9/2024	GENERAL REVISED	
NO.	DATE	REVISED	BY

CLIENT :  
**MILLION BASE PROPERTIES LIMITED**

ARCHITECT :  
**WONG TUNG & PARTNERS LIMITED**  
 ARCHITECTS & PLANNERS

STRUCTURAL ENGINEER :  
**SWW SYW & ASSOCIATES LTD.**  
 邵賢偉建築工程師

MAIN CONTRACTOR :  
**顯利工程有限公司**  
 HIEN LEE ENGINEERING CO., LTD.

**美特鋁質有限公司**  
**MIDI ALUMINIUM FABRICATOR LTD.**  
 Units 6-8, Sunray Industrial Centre, 1/F  
 610 Cha Kwo Ling Road, Kowloon  
 Tel: 23489211-4 Fax: (852) 2727666

JOB NO. : J-861

PROJECT :  
 PROPOSED RESIDENTIAL DEVELOPMENT AT NOS. 3-6 GLENEALY, CENTRAL, HONG KONG

TITLE :  
 PART ELEVATION FOR CURTAIN WALL

DATE : 06-Sep.-24 SCALE : 1:60(A1)

DRAWN BY : Asing CHECKED BY :

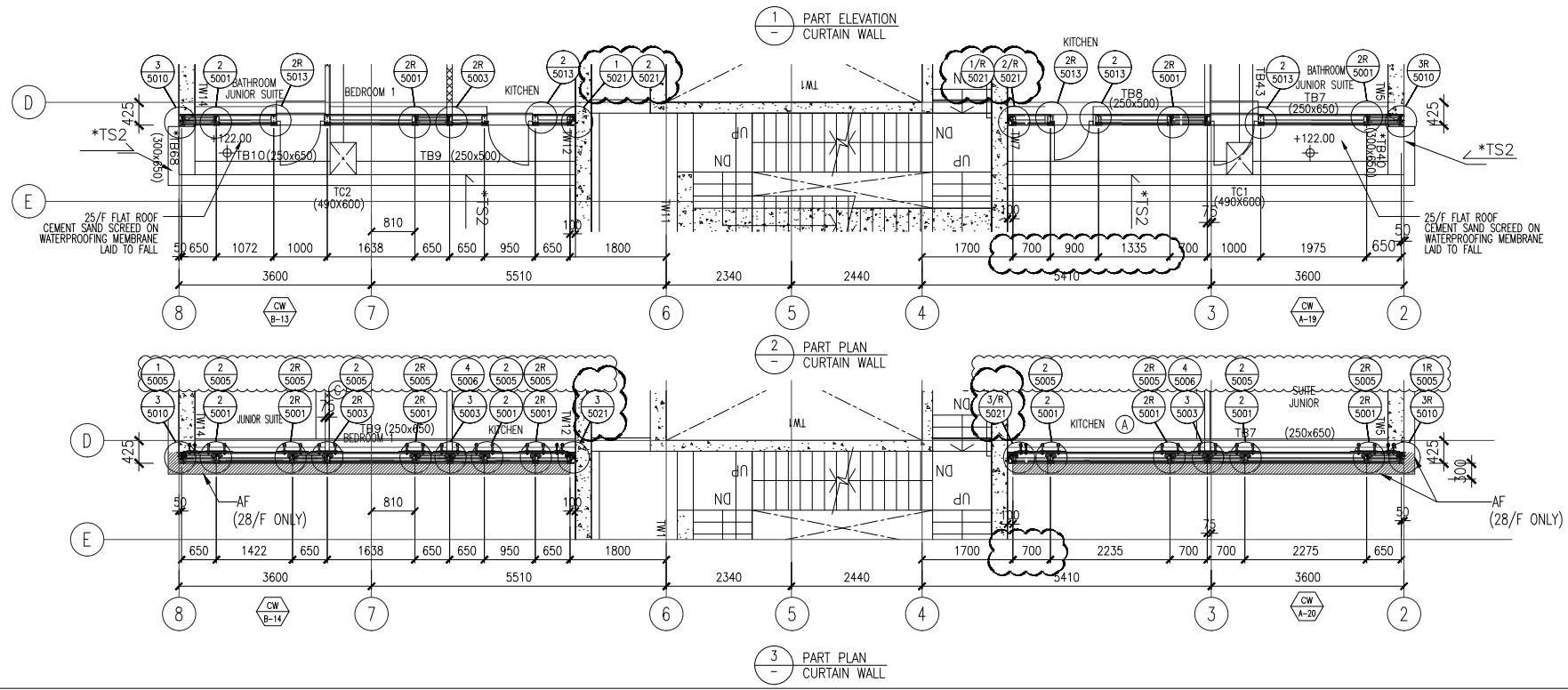
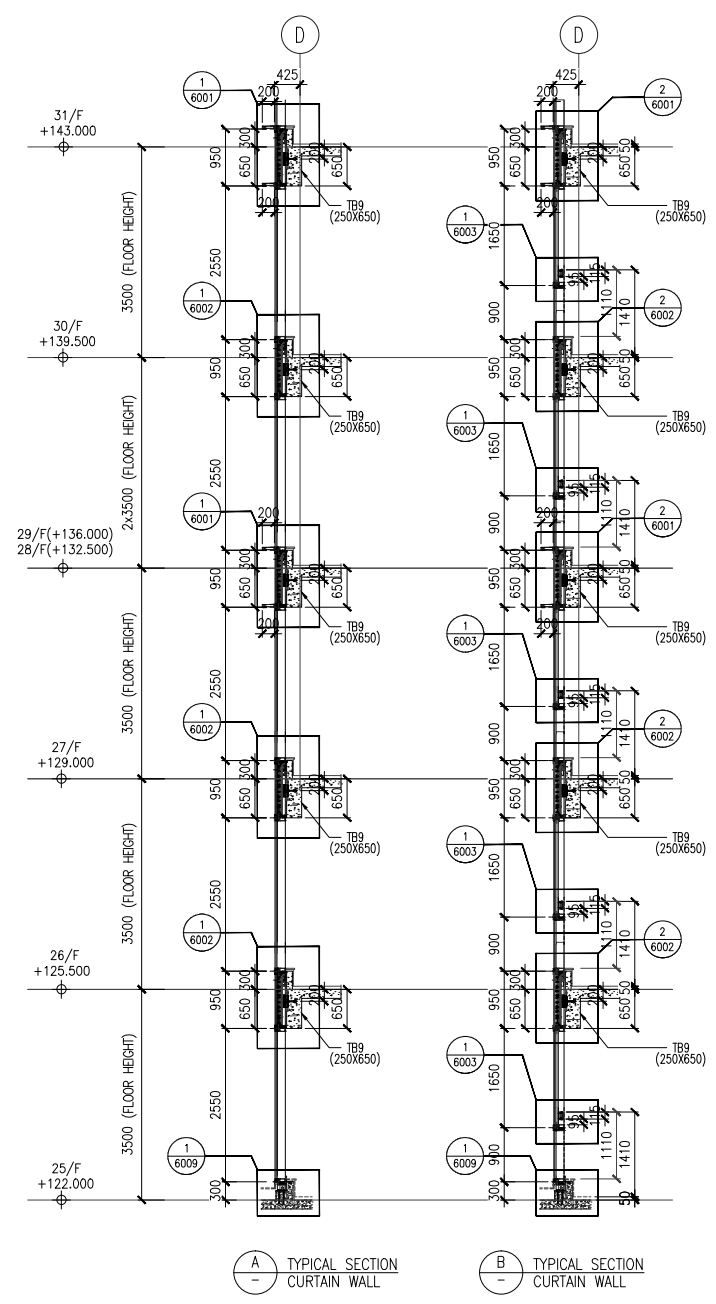
DWG NO. : J861-SD-CW-3008 REV. : B

- LEGEND :**
- TG01A1 8mm HEAT STRENGTHENED GLASS + 12mm AIR SPACE + 10mm TEMPERED GLASS (IGU)
  - TG01A2 8mm HEAT STRENGTHENED GLASS + 12mm AIR SPACE + 8mm TEMPERED GLASS (IGU)
  - TG01A3 8mm HEAT STRENGTHENED GLASS WITH (FROSTED) AT SURFACE #3 + 12mm AIR SPACE + 10mm TEMPERED GLASS (IGU)
  - TG01A4 8mm HEAT STRENGTHENED GLASS + 12mm AIR SPACE + 12mm TEMPERED GLASS (IGU)
  - TG02 12mm HEAT STRENGTHENED GLASS W/2mm THK. ALUM. BACK PANEL
  - TG07 10mm CLEAR TEMPERED GLASS
  - TM05 3mm THK ALUM. CLADDING DARK GREY COLOUR CODE: KM3E97023C (ALL CURTAIN WALL MULLION & TRANSOM FRAME IN DARK GREY COLOUR)
- F. - FIXED GLASS  
 S.H. - SIDE HUNG OPENABLE WINDOW  
 ▲ - SUPPORT POINT (WIND LOAD + DEAD LOAD)  
 ◀ - SUPPORT POINT (WIND LOAD)  
 S.J. - STACK JOINT REF TO J861-SD-CW-5016

<b>WONG TUNG &amp; PARTNERS LTD.</b>	
APPROVED	
APPROVED AS NOTED	
APPROVED AS NOTED & RESUBMIT	
RESUBMIT	
NO COMMENT	
REFER OTHER CONSULTANT'S COMMENTS	
Reviewed for compliance with the design intent. Comments made shall apply to all similar conditions & details, not just the ones cited. The approval shall not be construed as relieving the contractor for compliance with the contract documents & requirements.	
Reviewed By	Date

大明在1月30日修改設計,加鋁板

● = RESTRAINT SOCKET



NOTE:  
 1. ALL DIMENSIONS ARE IN mm.  
 2. ALL ELEVATIONS ARE VIEWED FROM OUTSIDE.  
 3. ALL DIMENSIONS TO BE VERIFIED ON SITE BEFORE FABRICATION.

LEGEND:  
 X1 - DETAIL MARK NO.  
 X001 - REFER SHEET NO.

1. F.F.L. --- FINISHED FLOOR LEVEL  
 2. S.F.L. --- STRUCTURAL FLOOR LEVEL  
 3. (↔) --- REVERSED DETAIL

B	8/11/2024	GENERAL REVISED	
A	16/9/2024	GENERAL REVISED	
NO.	DATE	REVISED	BY

CLIENT :  
 MILLION BASE PROPERTIES LIMITED

ARCHITECT :  
**WONG TUNG & PARTNERS LIMITED**  
 ARCHITECTS & PLANNERS

STRUCTURAL ENGINEER :  
**SWW | SYW & ASSOCIATES LTD.**  
 邵賢偉建築工程師

MAIN CONTRACTOR :  
**顯利工程有限公司**  
 HIEN LEE ENGINEERING CO., LTD.

**美特鋁質有限公司**  
 MIDI ALUMINIUM FABRICATOR LTD.  
 Units 6-8, Sunray Industrial Centre, 1/F  
 610 Cha Kwo Ling Road, Kowloon  
 Tel:23489211-4 Fax:(852)2727666

JOB NO. : J-861

PROJECT :  
 PROPOSED RESIDENTIAL DEVELOPMENT AT NOS. 3-6 GLENEALY, CENTRAL, HONG KONG

TITLE :  
 PART ELEVATION FOR CURTAIN WALL

DATE : 06-Sep.-24 SCALE : 1:60(A1)  
 DRAWN BY : Asing CHECKED BY :  
 DWG NO. : J861-SD-CW-3009 REV. : B

LEGEND :

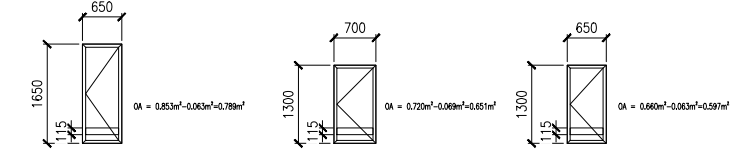
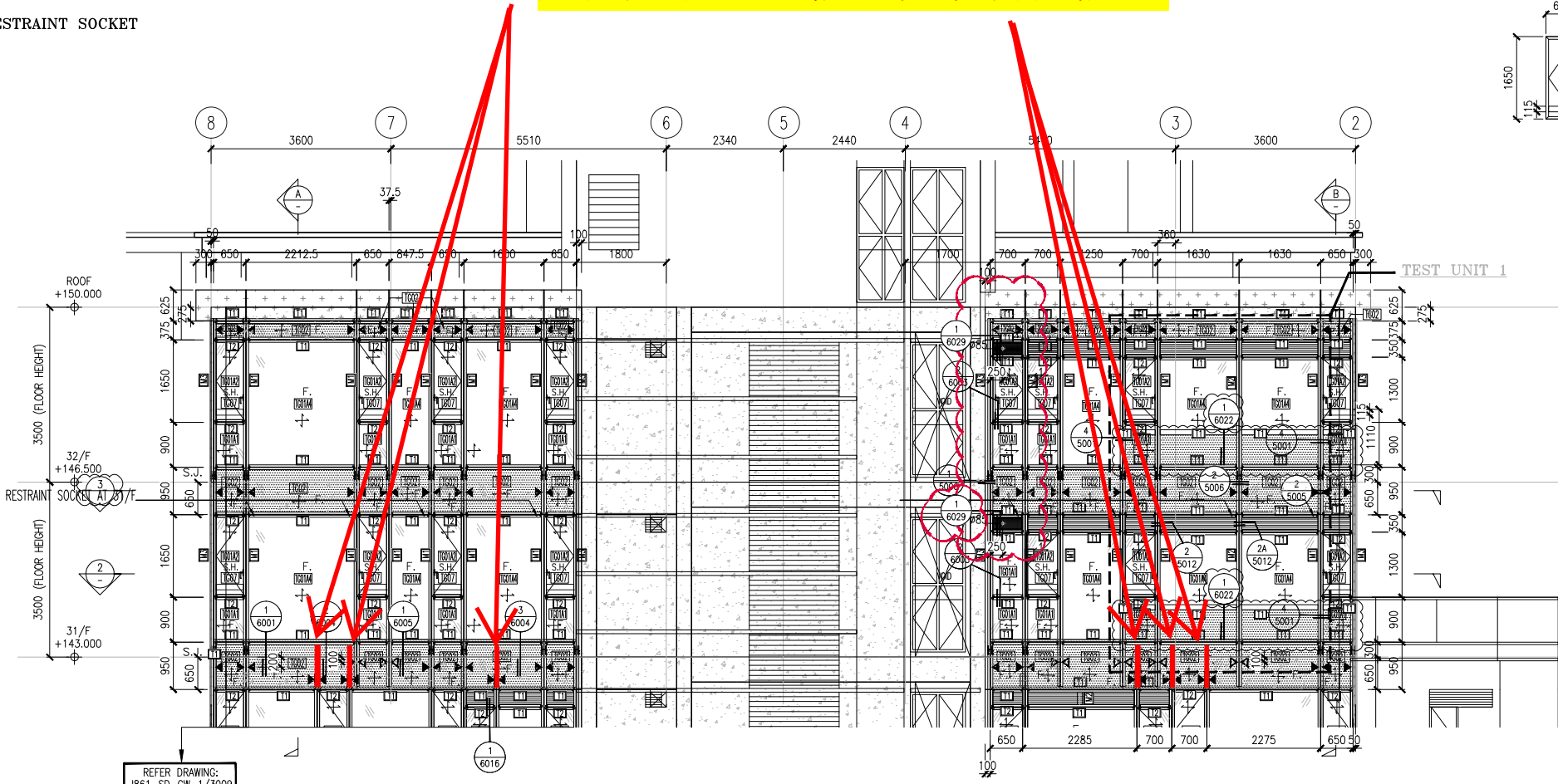
- TG01A1 8mm HEAT STRENGTHENED GLASS + 12mm AIR SPACE + 10mm TEMPERED GLASS (IGU)
- TG01A2 8mm HEAT STRENGTHENED GLASS + 12mm AIR SPACE + 8mm TEMPERED GLASS (IGU)
- TG01A3 8mm HEAT STRENGTHENED GLASS WITH (FROSTED) AT SURFACE #3 + 12mm AIR SPACE + 10mm TEMPERED GLASS (IGU)
- TG01A4 8mm HEAT STRENGTHENED GLASS + 12mm AIR SPACE + 12mm TEMPERED GLASS (IGU)
- TG02 12mm HEAT STRENGTHENED GLASS W/2mm THK. ALUM. BACK PANEL
- TG07 10mm CLEAR TEMPERED GLASS
- TM05 3mm THK ALUM. CLADDING DARK GREY COLOUR CODE: KM3E97023C (\*ALL CURTAIN WALL MULLION & TRANSOM FRAME IN DARK GREY COLOUR)

F. - FIXED GLASS  
 S.H. - SIDE HUNG OPENABLE WINDOW  
 ▲ - SUPPORT POINT (WIND LOAD + DEAD LOAD)  
 ◀ - SUPPORT POINT (WIND LOAD)  
 S.J. - STACK JOINT REF TO J861-SD-CW-5016

WONG TUNG & PARTNERS LTD.	
APPROVED	
APPROVED AS NOTED	
APPROVED AS NOTED & RESUBMIT	
RESUBMIT	
NO COMMENT	
REFER OTHER CONSULTANT'S COMMENTS	
Reviewed for compliance with the design intent. Comments made shall apply to all similar conditions & details, not just the ones cited. The approval shall not be construed as relieving the contractor for compliance with the contract documents & requirements.	
Reviewed By	Date

大明在1月30日修改設計,加鋁板

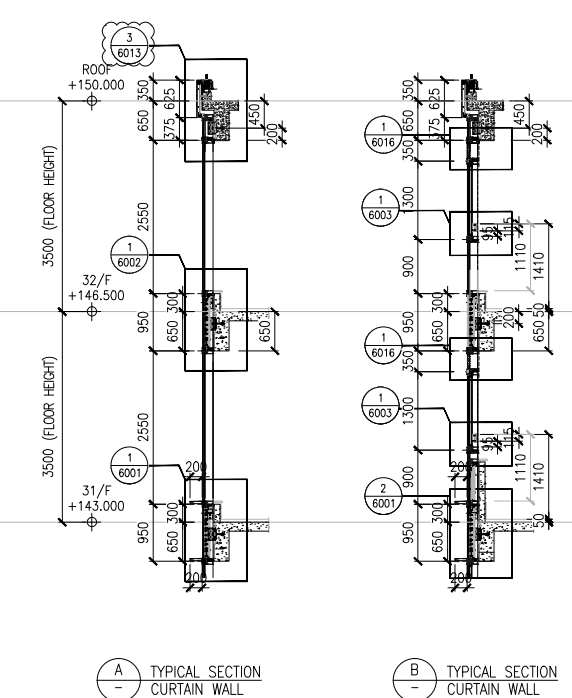
● = RESTRAINT SOCKET



**NOTE :**  
 1. ALL DIMENSIONS ARE IN mm.  
 2. ALL ELEVATIONS ARE VIEWED FROM OUTSIDE.  
 3. ALL DIMENSIONS TO BE VERIFIED ON SITE BEFORE FABRICATION.

**LEGEND :**  
 X1 - DETAIL MARK NO.  
 X001 - REFER SHEET NO.

1. F.F.L. --- FINISHED FLOOR LEVEL  
 2. S.F.L. --- STRUCTURAL FLOOR LEVEL  
 3. (R) --- REVERSED DETAIL

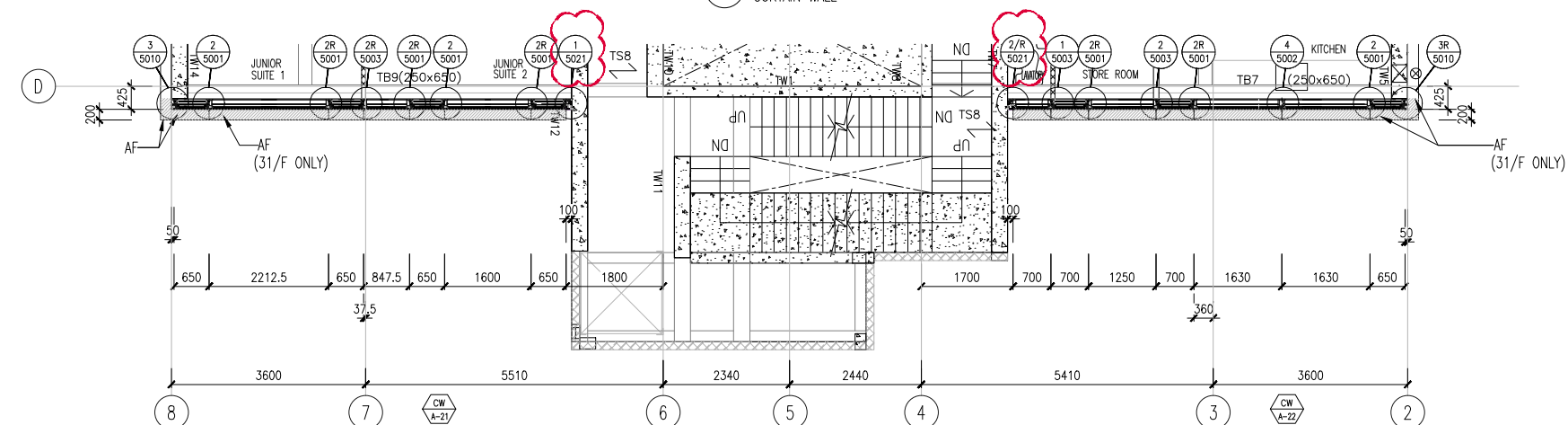


REFER DRAWING:  
 J861-SD-CW-1/3009

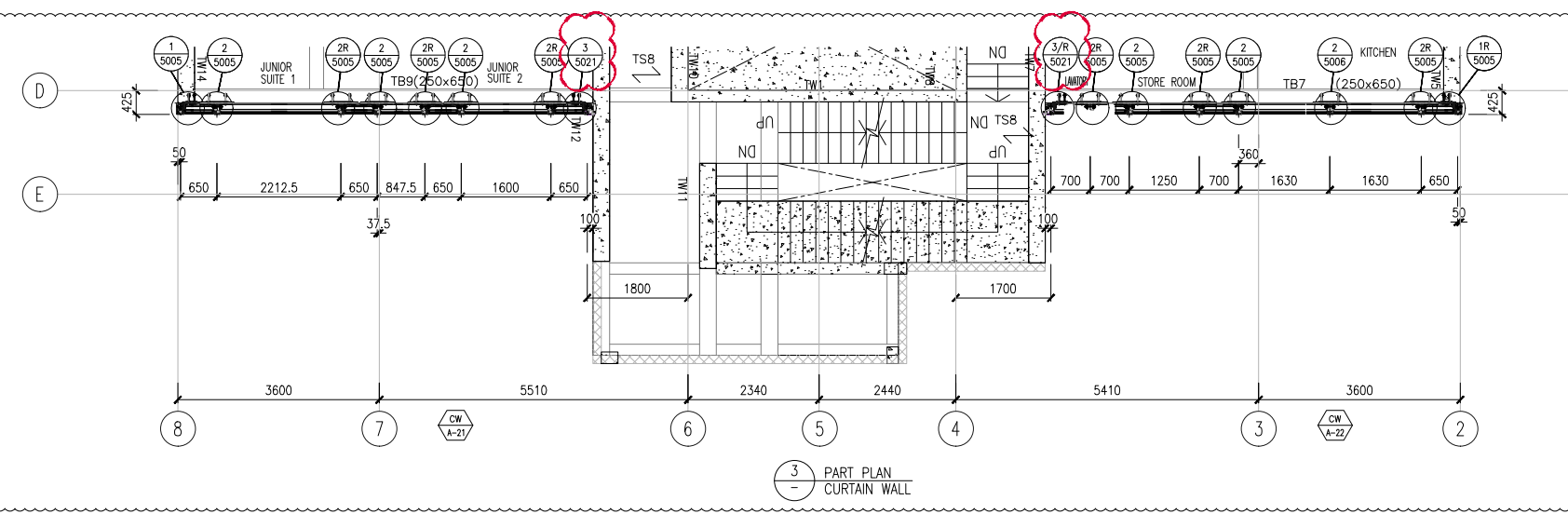
1 - PART ELEVATION CURTAIN WALL

A - TYPICAL SECTION CURTAIN WALL

B - TYPICAL SECTION CURTAIN WALL



2 - PART PLAN CURTAIN WALL



3 - PART PLAN CURTAIN WALL

- LEGEND :**
- TG01A1 8mm HEAT STRENGTHENED GLASS + 12mm AIR SPACE + 10mm TEMPERED GLASS (IGU)
  - TG01A2 8mm HEAT STRENGTHENED GLASS + 12mm AIR SPACE + 8mm TEMPERED GLASS (IGU)
  - TG01A3 8mm HEAT STRENGTHENED GLASS WITH (FROSTED) AT SURFACE #3 + 12mm AIR SPACE + 10mm TEMPERED GLASS (IGU)
  - TG01A4 8mm HEAT STRENGTHENED GLASS + 12mm AIR SPACE + 12mm TEMPERED GLASS (IGU)
  - TG02 12mm HEAT STRENGTHENED GLASS W/2mm THK. ALUM. BACK PANEL
  - TG07 10mm CLEAR TEMPERED GLASS
  - TM05 3mm THK ALUM. CLADDING DARK GREY COLOUR CODE: KM3E97023C (\*ALL CURTAIN WALL MULLION & TRANSOM FRAME IN DARK GREY COLOUR)
- F. - FIXED GLASS  
 S.H. - SIDE HUNG OPENABLE WINDOW  
 ▲ - SUPPORT POINT (WIND LOAD + DEAD LOAD)  
 ◀ - SUPPORT POINT (WIND LOAD)  
 S.J. - STACK JOINT REF TO J861-SD-CW-5016

B	8/11/2024	GENERAL REVISED	
A	16/9/2024	GENERAL REVISED	
NO.	DATE	REVISED	BY

CLIENT :  
 MILLION BASE PROPERTIES LIMITED

ARCHITECT :  
**WONG TUNG & PARTNERS LIMITED**  
 ARCHITECTS & PLANNERS

STRUCTURAL ENGINEER :  
**SWW SYW & ASSOCIATES LTD.**  
 邵賢偉建築工程師

MAIN CONTRACTOR :  
**顯利工程有限公司**  
 HIEN LEE ENGINEERING CO., LTD.

**美特鋁質有限公司**  
 MIDI ALUMINIUM FABRICATOR LTD.  
 Units 6-8, Sunray Industrial Centre, 1/F  
 610 Cha Kwo Ling Road, Kowloon  
 Tel:23489211-4 Fax:(852)2727666

JOB NO. : J-861

PROJECT :  
 PROPOSED RESIDENTIAL DEVELOPMENT AT NOS. 3-6 GLENEALY, CENTRAL, HONG KONG

TITLE :  
 PART ELEVATION FOR CURTAIN WALL

DATE : 06-Sep.-24 SCALE : 1:60(A1)

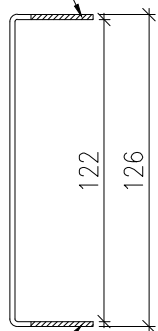
DRAWN BY : Asing CHECKED BY :

DWG NO. : J861-SD-CW-3010 REV. : B

<b>WONG TUNG &amp; PARTNERS LTD.</b>	
APPROVED	
APPROVED AS NOTED	
APPROVED AS NOTED & RESUBMIT	
RESUBMIT	
NO COMMENT	
REFER OTHER CONSULTANT'S COMMENTS	
Reviewed for compliance with the design intent. Comments made shall apply to all similar conditions & details, not just the ones cited. The approval shall not be construed as relieving the contractor for compliance with the contract documents & requirements.	
Reviewed By	Date
( )	( )

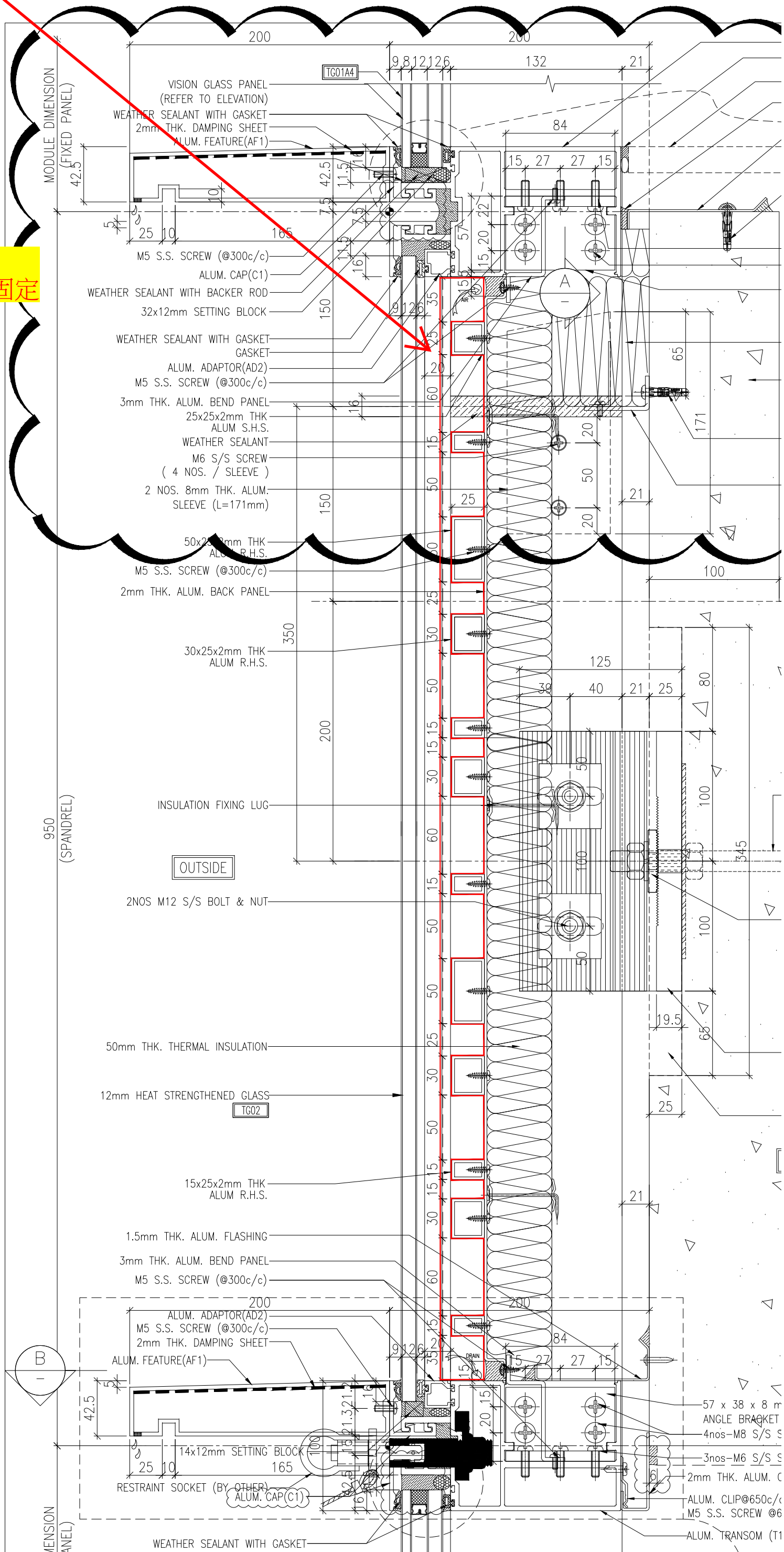
加鋁板

陰影部份開避位



陰影部份開避位

加工做法  
現場在地盤用膠固定



- VISION GLASS PANEL (REFER TO ELEVATION)
- WEATHER SEALANT WITH GASKET
- 2mm THK. DAMPING SHEET
- ALUM. FEATURE(AF1)
- M5 S.S. SCREW (@300c/c)
- ALUM. CAP(C1)
- WEATHER SEALANT WITH BACKER ROD
- 32x12mm SETTING BLOCK
- WEATHER SEALANT WITH GASKET
- GASKET
- ALUM. ADAPTOR(AD2)
- M5 S.S. SCREW (@300c/c)
- 3mm THK. ALUM. BEND PANEL
- 25x25x2mm THK ALUM S.H.S.
- WEATHER SEALANT
- M6 S/S SCREW ( 4 NOS. / SLEEVE )
- 2 NOS. 8mm THK. ALUM. SLEEVE (L=171mm)
- 50x25x3mm THK ALUM R.H.S.
- M5 S.S. SCREW (@300c/c)
- 2mm THK. ALUM. BACK PANEL

- 30x25x2mm THK ALUM R.H.S.
- INSULATION FIXING LUG
- 2NOS M12 S/S BOLT & NUT
- 50mm THK. THERMAL INSULATION
- 12mm HEAT STRENGTHENED GLASS (TG02)
- 15x25x2mm THK ALUM R.H.S.
- 1.5mm THK. ALUM. FLASHING
- 3mm THK. ALUM. BEND PANEL
- M5 S.S. SCREW (@300c/c)

- ALUM. ADAPTOR(AD2)
- M5 S.S. SCREW (@300c/c)
- 2mm THK. DAMPING SHEET
- ALUM. FEATURE(AF1)
- 14x12mm SETTING BLOCK
- RESTRAINT SOCKET (BY OTHER)
- ALUM. CAP(C1)
- WEATHER SEALANT WITH GASKET

- 57 x 38 x 8 mm ANGLE BRACKET
- 4nos-M8 S/S SCREW
- 3nos-M6 S/S SCREW
- 2mm THK. ALUM. CLIP
- ALUM. CLIP@650c/c
- M5 S.S. SCREW @6
- ALUM. TRANSOM (T1)