



工程指示 / 要求簡箋 ENGINEER INSTRUCTIONS(E.I.)

工程指示編號:	EI- 9168	修改版本:	G
	HK- 0934		
工程編號:	J 861	工程名稱:	己連拿利
收件人:	生統/技術部	發件人:	細佬
工程項目:	幕牆/後裝窗施工圖更新	日期:	28/11/2025

<input type="checkbox"/> 原合約工程包	<input type="checkbox"/> 原合約工程加 / 減賬 QT-	<input type="checkbox"/> 新工程報價 QT-
---------------------------------	--	------------------------------------

信件批核號碼/圖紙參考編號:	批核模具圖紙編號:
客戶指示附件:	管理內部批簽署:

<input type="checkbox"/> 初步鋁料 B.M.	<input type="checkbox"/> 加工拆圖, 然後生產	<input type="checkbox"/> 尺寸表
<input type="checkbox"/> 正式鋁料 B.M.	<input type="checkbox"/> 技術上資料/指示	<input type="checkbox"/> 報價
<input type="checkbox"/> 配件 B.M.	<input type="checkbox"/> 樣辦或貨品說明書	<input type="checkbox"/> 分判合約
<input type="checkbox"/> 其他:		

內容:	給技術部: 幕牆/後裝窗施工圖更新, 請製作相關的加工圖。
	備注: 大明/米高11月27日更新
	CAD文件在以下位置 J:\midi_sharepoint\Public\to_china\謝永林\J861\EI9168G_HK0934_CAD
完成上列要求日期: 16/12/2025	

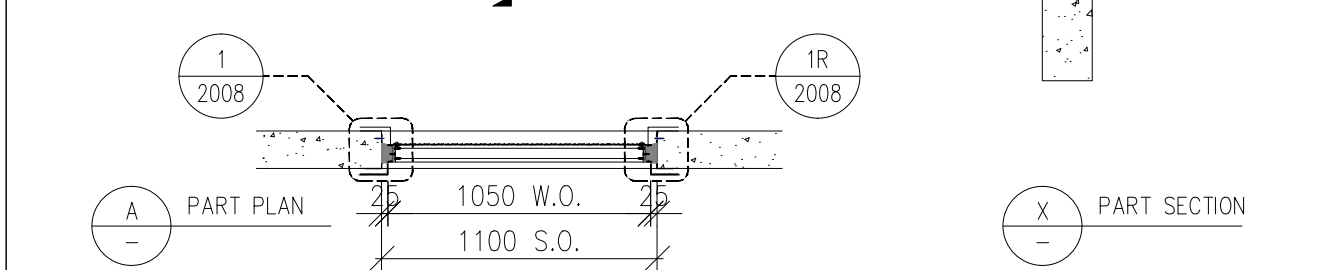
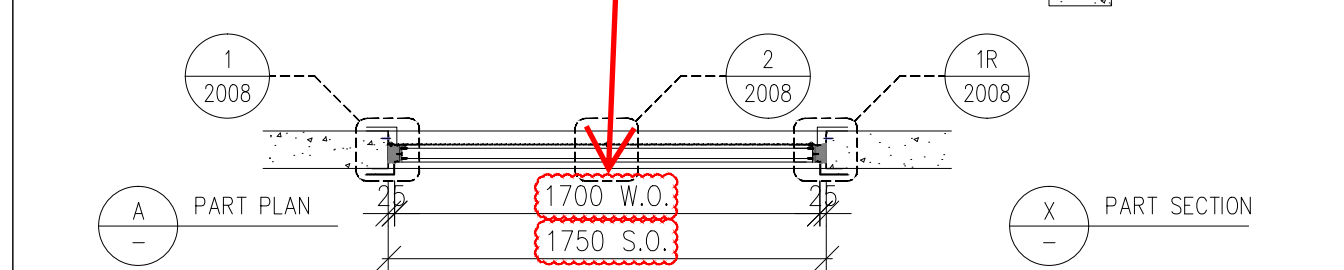
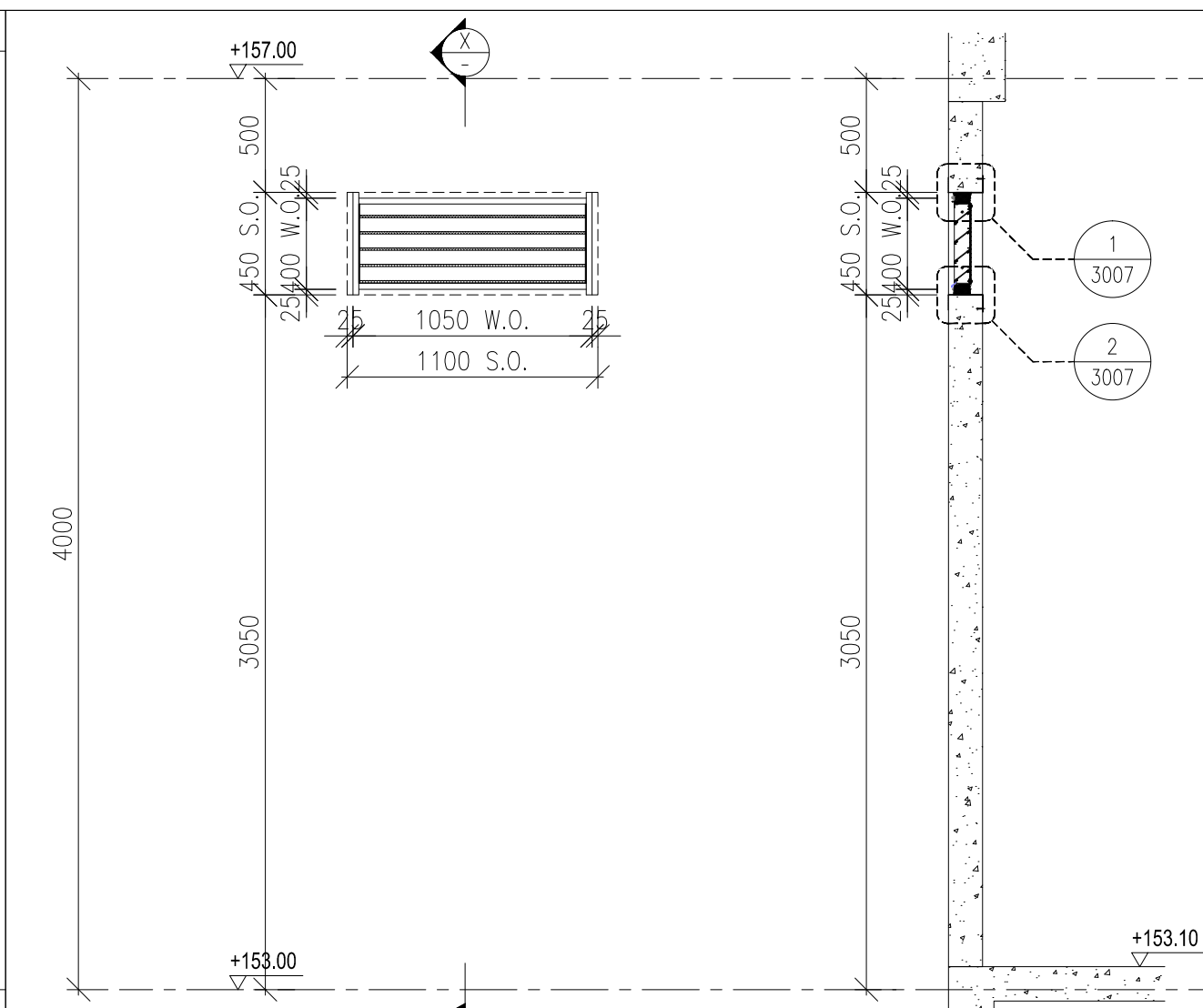
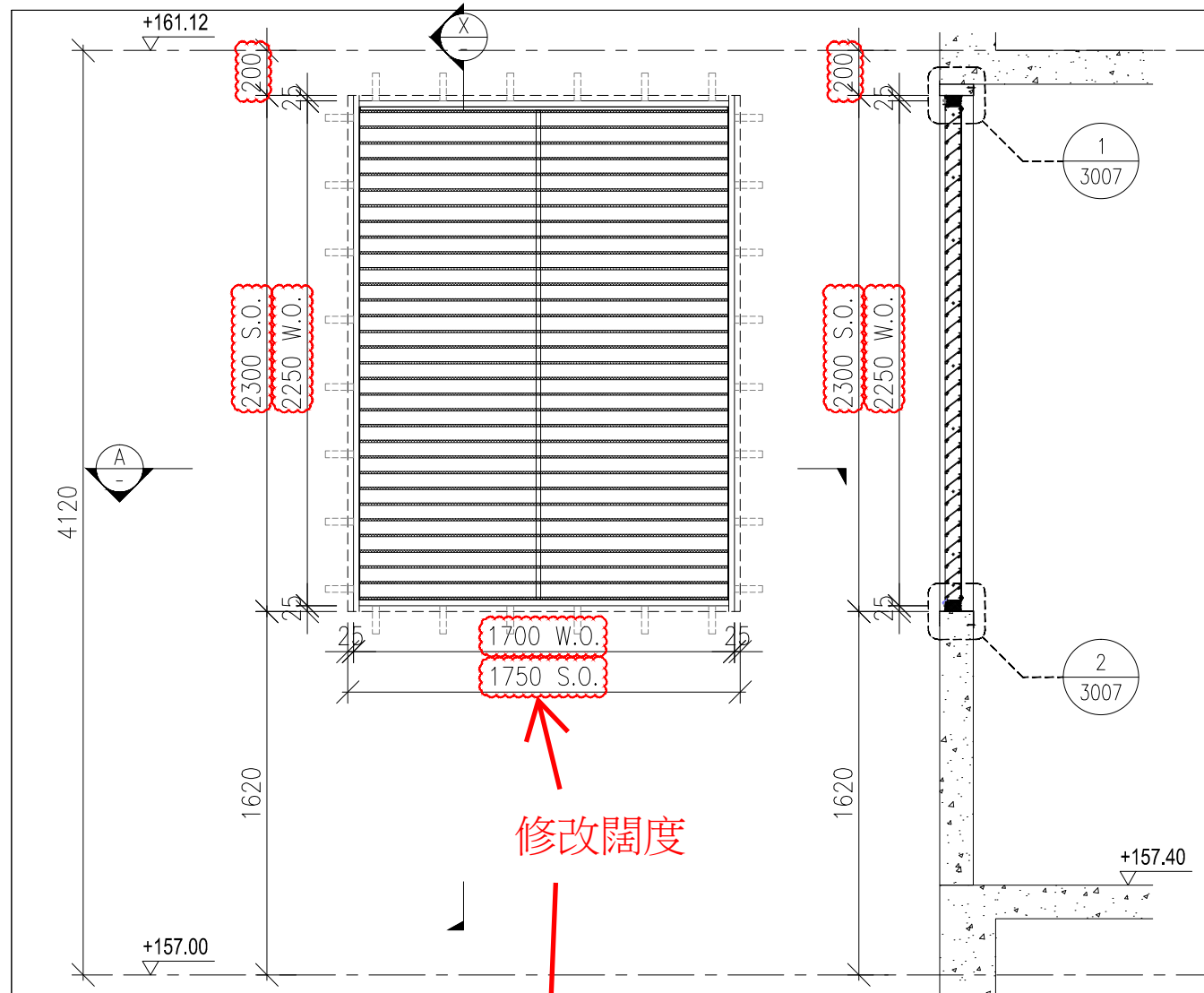
國內

<input type="checkbox"/> 生產技術總監	<input type="checkbox"/> 連附件	<input checked="" type="checkbox"/> 技術部	<input checked="" type="checkbox"/> 連附件	<input type="checkbox"/> 生產部	<input type="checkbox"/> 連附件
<input type="checkbox"/> 採購部	<input type="checkbox"/> 連附件	<input type="checkbox"/> 生產統籌部	<input type="checkbox"/> 連附件	<input type="checkbox"/> 報關組	<input type="checkbox"/> 連附件
<input type="checkbox"/> 質檢部	<input type="checkbox"/> 連附件	<input type="checkbox"/> 會計部	<input type="checkbox"/> 連附件	<input type="checkbox"/> 機械設計部	<input type="checkbox"/> 連附件
<input type="checkbox"/> 香港辦	<input type="checkbox"/> 連附件	<input type="checkbox"/> 其他:			

香港

<input type="checkbox"/> 行政部	<input type="checkbox"/> 連附件	<input type="checkbox"/> 會計部	<input type="checkbox"/> 連附件	<input type="checkbox"/> 統籌部	<input type="checkbox"/> 連附件	<input type="checkbox"/> 工程部	<input type="checkbox"/> 連附件
<input type="checkbox"/> 採購部	<input type="checkbox"/> 連附件	<input type="checkbox"/> QS部	<input type="checkbox"/> 連附件	<input type="checkbox"/> 地盤管理	<input type="checkbox"/> 連附件	<input type="checkbox"/> 維修部	<input type="checkbox"/> 連附件

*發件人簽署:	*組別成員批核簽署:
傳遞編號:	項目經理簽署: 



FREE AREA  $35.6/49.6 \times 100\% = 71.77\%$

FREE AREA  $46.2/60.2 \times 100\% = 76.74\%$

WINDOW MARK  $\begin{matrix} T \\ W-13 \end{matrix}$  2 nos.

WINDOW MARK  $\begin{matrix} T \\ W-13 \end{matrix}$  1 no.

LOCATION (EMERGENCY GENERATOR ROOM AT IR/F)

LOCATION (LIFT MACHINE ROOM STAIRCASE AT LR/F)

GLAZING N/A

WINDOW FRAME 70mm LOUVER SECTION

B.D. REF :

WONG TUNG & PARTNERS LTD.	
APPROVED	
APPROVED AS NOTED	
APPROVED AS NOTED & RESUBMIT	
RESUBMIT	
NO COMMENT	
REFER OTHER CONSULTANT'S COMMENTS	
Reviewed for compliance with the design intent. Comments made shall apply to all similar conditions & details, not just the ones cited.	
The approval shall not be construed as relieving the contractor for compliance with the contract documents & requirements.	
Reviewed By	Date

CLIENT : Pacific Century Premium Developments  
盈科大衍地產發展

ARCHITECT : WONG TUNG & PARTNERS LIMITED  
ARCHITECTS & PLANNERS

MAIN CONTRACTOR : 顯利工程有限公司  
HIEN LEE ENGINEERING CO., LTD.

STRUCTURAL ENGINEER : SYW & ASSOCIATES LTD.  
REGISTERED ENGINEERS & AUTHORIZED PERSONS  
專業註冊建築師

FACADE CONSULTANT:

NOTE :  
1. ALL DIMENSIONS ARE IN mm.  
2. ALL ELEVATIONS ARE VIEWED FROM OUTSIDE.  
3. ALL DIMENSIONS TO BE VERIFIED ON SITE BEFORE FABRICATION.

LEGEND :  
x1 - DETAIL MARK NO.  
x001 - REFER SHEET NO.

- F.F.L. -- FINISHED FLOOR LEVEL
- S.F.L. -- STRUCTURAL FLOOR LEVEL
- (R) -- REVERSED DETAIL
- F. -- FIXED WINDOW
- SH. -- TOP HUNG WINDOW
- (L) -- LOUVER
- GLASS LEGEND  
TG01A2--SOUTH-EAST FACADE: LOW-E IGU-YKED160J (#2)  
8mmHS CLEAR GLASS+12A+8mmT CLEAR GLASS  
TG03--10mmT LIGHT GREY TINTED GLASS  
TG04--8mmHS LIGHT GREY TINTED GLASS  
TG05--8mmHS LIGHT GREY TINTED FROSTED GLASS

GLAZING AREA  
OPENABLE AREA

A	27/05/2025	GENERAL REVISION	MN
No.	DATE	REVISED	BY

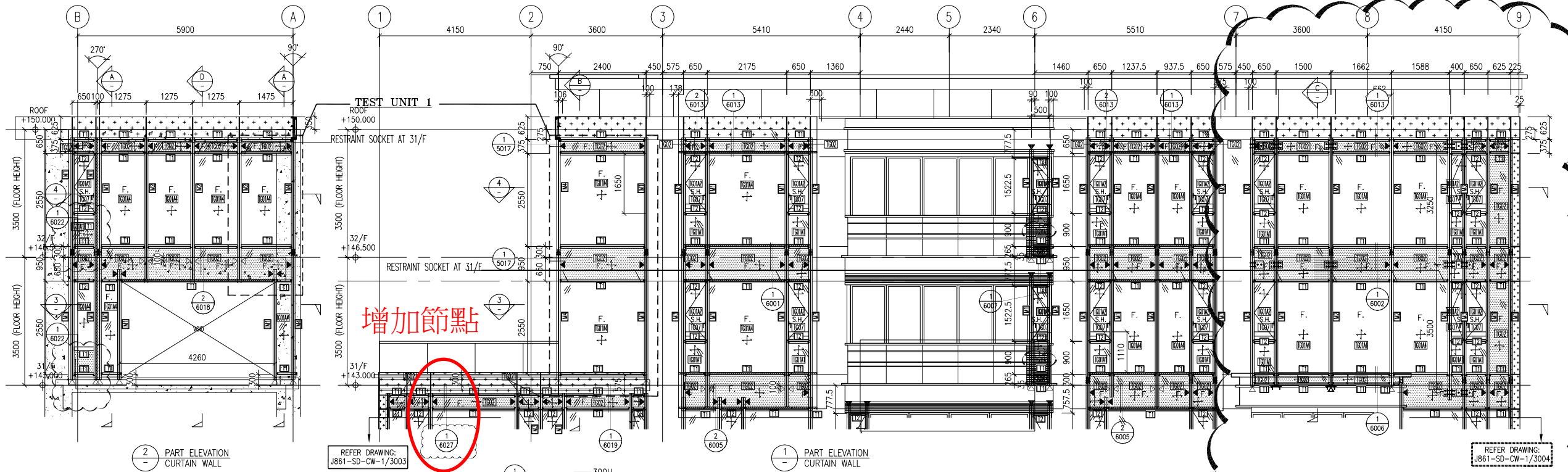
JOB NO. : J-861  
PROJECT : PROPOSED RESIDENTIAL DEVELOPMENT AT NOS. 3-6 GLENEALY, CENTRAL, HONG KONG

TITLE : WINDOW SCHEDULE FOR IN-SITU WINDOW

DATE : 26-06-24 SCALE : 1:30 @A3  
DRAWN BY : IVAN CHECKED BY :

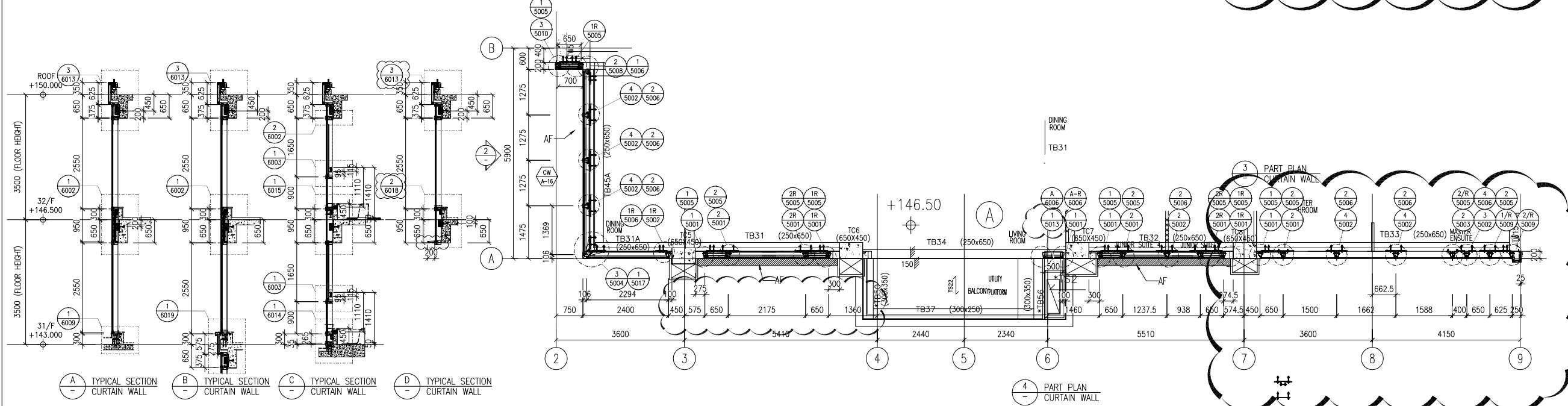
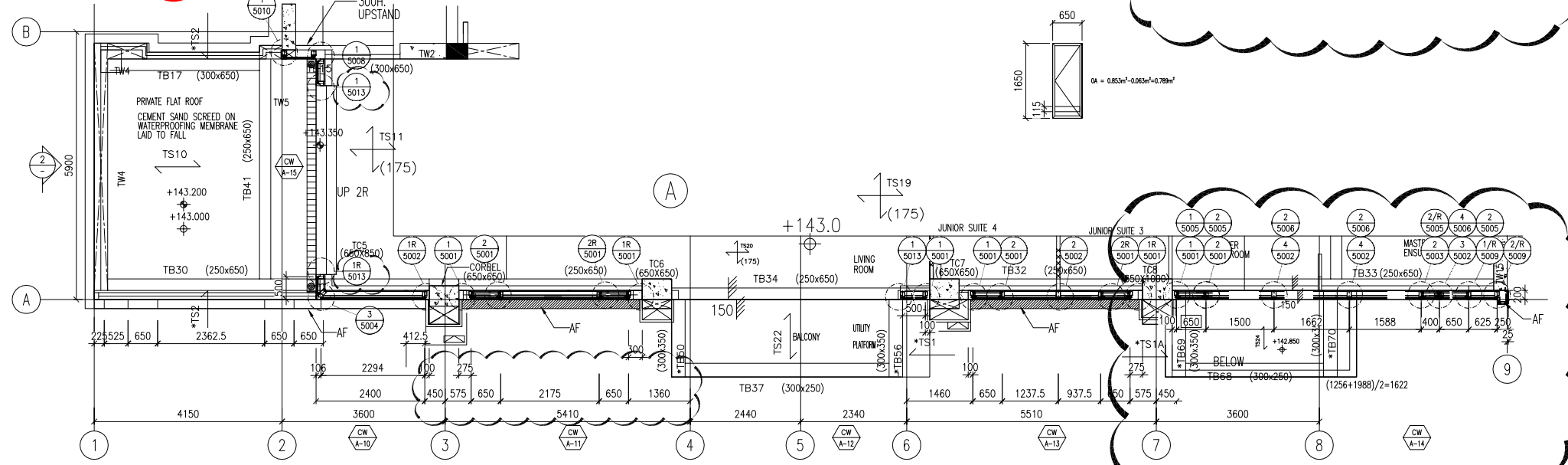
美特鋁質有限公司  
MIDI ALUMINIUM FABRICATOR LTD.  
Units 6-8, Sunray Industrial Centre, 1/F  
610 Cha Kwo Ling Road, Kowloon  
Tel:23489211-4 Fax:(852)27727666

DWG NO. : J861-SD-IW-1011 REV. : A



增加節點

- LEGEND :
- TG01A1 8mm HEAT STRENGTHENED GLASS + 12mm AIR SPACE + 10mm TEMPERED GLASS (IGU)
  - TG01A2 8mm HEAT STRENGTHENED GLASS + 12mm AIR SPACE + 8mm TEMPERED GLASS (IGU)
  - TG01A3 8mm HEAT STRENGTHENED GLASS WITH (FROSTED) AT SURFACE #3 + 12mm AIR SPACE + 10mm TEMPERED GLASS (IGU)
  - TG01A4 8mm HEAT STRENGTHENED GLASS + 12mm AIR SPACE + 12mm TEMPERED GLASS (IGU)
  - TG02 12mm HEAT STRENGTHENED GLASS W/2mm THK. ALUM. BACK PANEL
  - TG07 10mm CLEAR TEMPERED GLASS
  - TC65 3mm THK ALUM. CLADDING DARK GREY COLOUR CODE: KM3E97023C (\*ALL CURTAIN WALL MULLION & TRANSOM FRAME IN DARK GREY COLOUR)
  - F. - FIXED GLASS
  - S.H. - SIDE HUNG OPENABLE WINDOW
  - ▲ - SUPPORT POINT (WIND LOAD + DEAD LOAD)
  - ◁ - SUPPORT POINT (WIND LOAD)
  - S.J. -STACK JOINT REF TO J861-SD-CW-5016



NOTE :

1. ALL DIMENSIONS ARE IN mm.
2. ALL ELEVATIONS ARE VIEWED FROM OUTSIDE.
3. ALL DIMENSIONS TO BE VERIFIED ON SITE BEFORE FABRICATION.

LEGEND :

- X1 - DETAIL MARK NO.
- X001 - REFER SHEET NO.

1. F.F.L. --- FINISHED FLOOR LEVEL
2. S.F.L. --- STRUCTURAL FLOOR LEVEL
3. (R) --- REVERSED DETAIL

B	8/11/2024	GENERAL REVISED	
A	16/9/2024	GENERAL REVISED	
No.	DATE	REVISED	BY

CLIENT :  
MILLION BASE PROPERTIES LIMITED

ARCHITECT :  
WONG TUNG & PARTNERS LIMITED  
ARCHITECTS & PLANNERS

STRUCTURAL ENGINEER :  
SYW & ASSOCIATES LTD.  
SYW 邵賢偉建築工程師

MAIN CONTRACTOR :  
顯利工程有限公司  
HIEN LEE ENGINEERING CO., LTD.

MIDI ALUMINIUM FABRICATOR LTD.  
Units 6-8, Sunray Industrial Centre, 1/F  
610 Cha Kwo Ling Road, Kowloon  
Tel:23489211-4 Fax:(852)27727666

JOB NO. : J-861

PROJECT :  
PROPOSED RESIDENTIAL DEVELOPMENT AT NOS. 3-6 GLENEALY, CENTRAL, HONG KONG

TITLE :  
PART ELEVATION FOR CURTAIN WALL

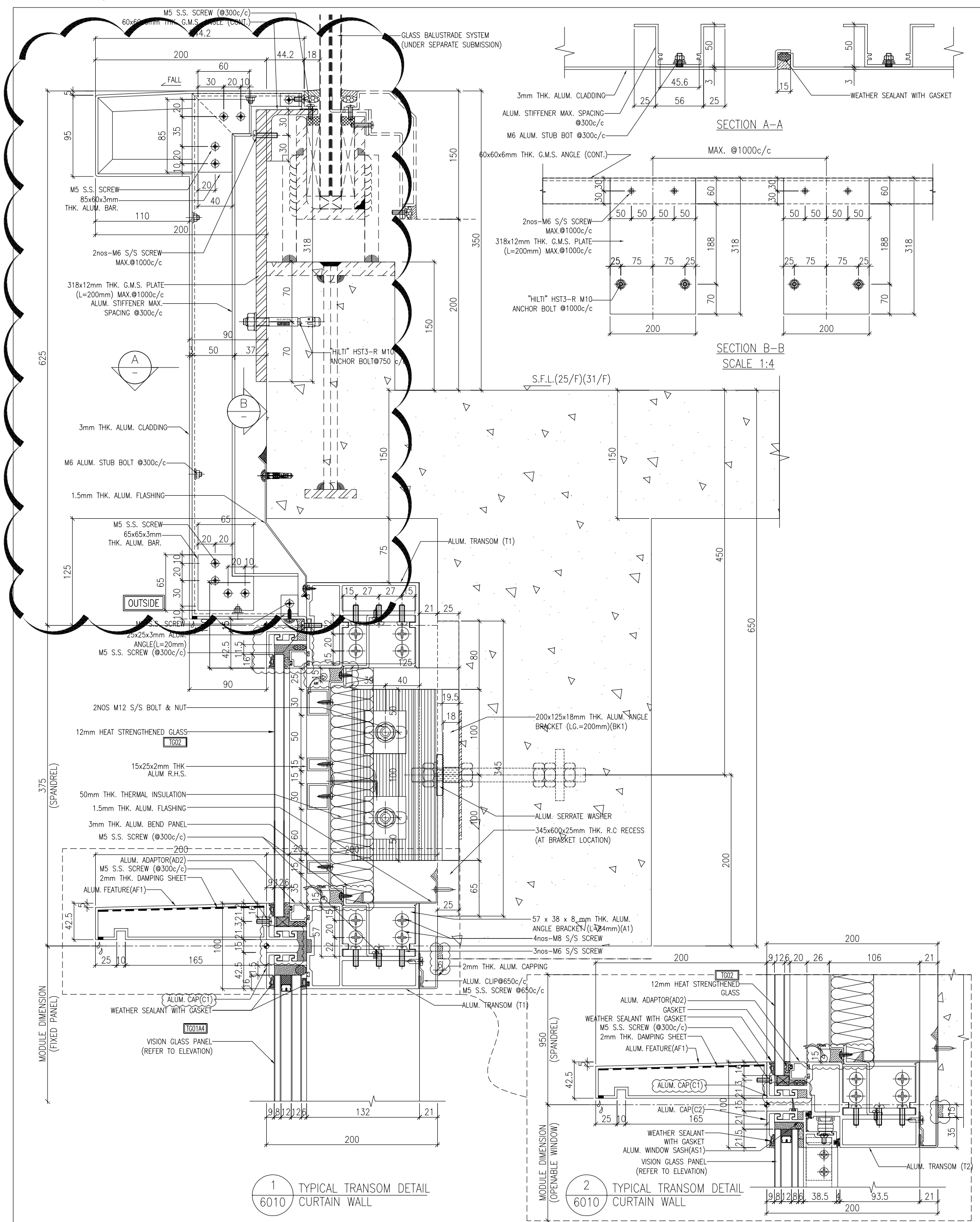
DATE : 06-Sep.-24 SCALE : 1:60(A1)

DRAWN BY : Asing CHECKED BY :

DWG NO. : J861-SD-CW-3005 REV. : C

WT stamp\_1.bmp

# 25F節點



1 TYPICAL TRANSOM DETAIL 6010 CURTAIN WALL

2 TYPICAL TRANSOM DETAIL 6010 CURTAIN WALL

- NOTE:
1. ALL DIMENSIONS ARE IN mm.
  2. ALL ELEVATIONS ARE VIEWED FROM OUTSIDE.
  3. ALL DIMENSIONS TO BE VERIFIED ON SITE BEFORE FABRICATION.
- LEGEND:
- (X1) -- DETAIL MARK NO.  
 (X00) -- REFER SHEET NO.
1. F.F.L. -- FINISHED FLOOR LEVEL
  2. S.F.L. -- STRUCTURAL FLOOR LEVEL
  3. (R) -- REVERSED DETAIL

NO.	DATE	REVISION	BY
B	18/10/2024	GENERAL REVISED	
A	20/9/2024	GENERAL REVISED	

CLIENT: MILLION BASE PROPERTIES LIMITED

ARCHITECT: WONG TUNG & PARTNERS LIMITED ARCHITECTS & PLANNERS

STRUCTURAL ENGINEER: SYW & ASSOCIATES LTD. 謝文輝建築師事務所

MAIN CONTRACTOR: 顯利工程有限公司 HEN LEE ENGINEERING CO., LTD.

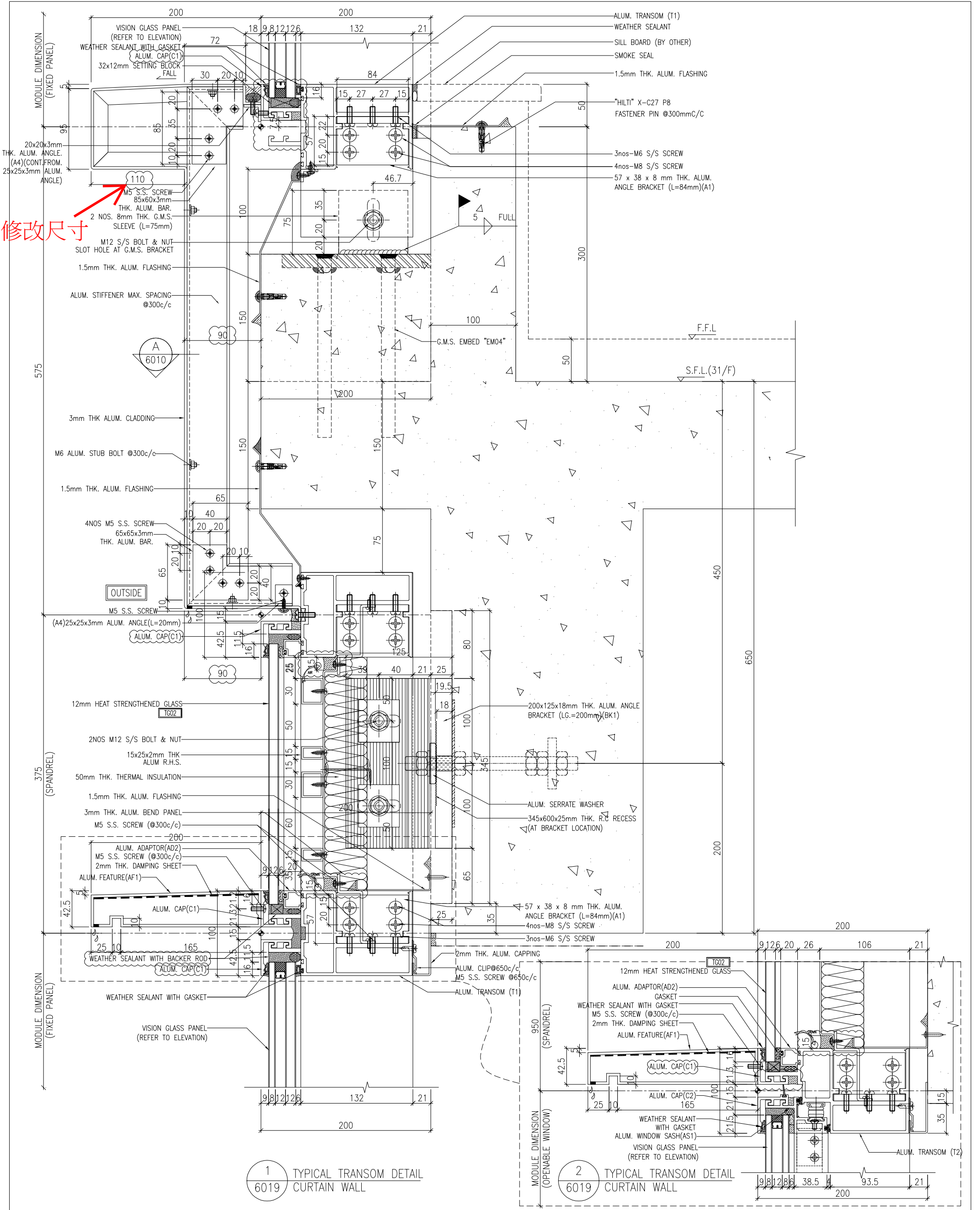
UNITED ALUMINIUM FABRICATOR LTD. 美特鋁業有限公司

PROJECT: PROPOSED RESIDENTIAL DEVELOPMENT AT NOS. 3-6 GLENVALE, CENTRAL, HONG KONG

TITLE: TYPICAL TRANSOM DETAIL FOR CURTAIN WALL

DATE: 18-Jun-24 SCALE: 1:2 (A1)  
 DRAWN BY: asing CHECKED BY:  
 DWG NO.: J861-SD-CW-6010 REV.: B

WT stamp\_1.bmp



修改尺寸

1 TYPICAL TRANSOM DETAIL  
6019 CURTAIN WALL

2 TYPICAL TRANSOM DETAIL  
6019 CURTAIN WALL

- NOTE:
1. ALL DIMENSIONS ARE IN mm.
  2. ALL ELEVATIONS ARE VIEWED FROM OUTSIDE.
  3. ALL DIMENSIONS TO BE VERIFIED ON SITE BEFORE FABRICATION.
- LEGEND:
- (X1) -- DETAIL MARK NO.
  - (X00) -- REFER SHEET NO.
1. F.F.L. -- FINISHED FLOOR LEVEL
  2. S.F.L. -- STRUCTURAL FLOOR LEVEL
  3. (R) -- REVERSED DETAIL

NO.	DATE	REVISION
B	18/10/2024	GENERAL REVISED
A	20/9/2024	GENERAL REVISED

CLIENT: MILLION BASE PROPERTIES LIMITED

ARCHITECT: WONG TUNG & PARTNERS LIMITED



STRUCTURAL ENGINEER: SYW & ASSOCIATES LTD.

MAIN CONTRACTOR: 顯利工程有限公司  
HIEN LEE ENGINEERING CO., LTD.

UNITED ALUMINIUM FABRICATOR LTD.  
MIDI ALUMINIUM FABRICATOR LTD.

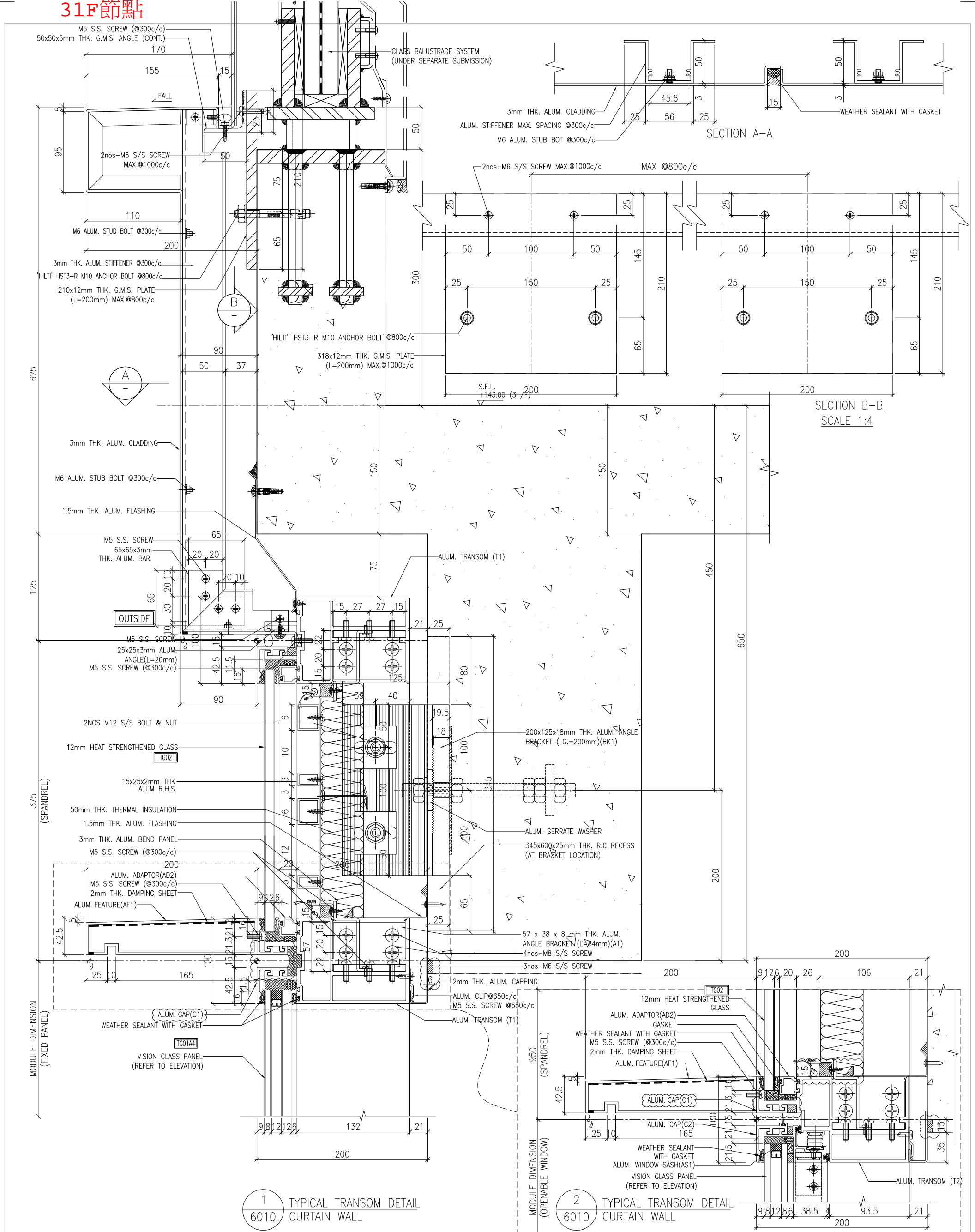
PROJECT: PROPOSED RESIDENTIAL DEVELOPMENT AT NOS. 3-6 GLEANEALY, CENTRAL, HONG KONG

TITLE: TYPICAL TRANSOM DETAIL FOR CURTAIN WALL

DATE: 18-Jun-24	SCALE: 1:2 (A1)
DRAWN BY: asing	CHECKED BY:
DWG NO.: J861-SD-CW-6019	REV.: B

WT stamp\_1.bmp

# 31F節點



1 TYPICAL TRANSOM DETAIL  
6010 CURTAIN WALL

2 TYPICAL TRANSOM DETAIL  
6010 CURTAIN WALL

- NOTE:
1. ALL DIMENSIONS ARE IN mm.
  2. ALL ELEVATIONS ARE VIEWED FROM OUTSIDE.
  3. ALL DIMENSIONS TO BE VERIFIED ON SITE BEFORE FABRICATION.
- LEGEND:
- (X1) -- DETAIL MARK NO.
  - (X00) -- REFER SHEET NO.
  - 1. F.F.L. -- FINISHED FLOOR LEVEL
  - 2. S.F.L. -- STRUCTURAL FLOOR LEVEL
  - 3. (R) -- REVERSED DETAIL

NO.	DATE	REVISION
B	18/10/2024	GENERAL REVISED
A	20/9/2024	GENERAL REVISED

CLIENT: MILLION BASE PROPERTIES LIMITED

ARCHITECT: WONG TUNG & PARTNERS LIMITED  
ARCHITECTS & PLANNERS

STRUCTURAL ENGINEER: SYW & ASSOCIATES LTD.  
SYW 邵賢偉建築工程

MAIN CONTRACTOR: 顯利工程有限公司  
HIEN LEE ENGINEERING CO., LTD.

UNITED ALUMINIUM FABRICATOR LTD.  
美特鋁業有限公司

PROJECT: PROPOSED RESIDENTIAL DEVELOPMENT AT NOS. 3-6 GLENVALE, CENTRAL, HONG KONG

TITLE: TYPICAL TRANSOM DETAIL FOR CURTAIN WALL

DATE: 18-Jun-24 SCALE: 1:2 (A1)  
DRAWN BY: asing CHECKED BY:  
DWG NO.: J861-SD-CW-6027 REV.: -

WT stamp\_1.bmp