



工程指示 / 要求簡箋 ENGINEER INSTRUCTIONS(E.I.)

工程指示編號:	EI- 8957	修改版本:	B
	HK-		
工程編號:	J 861	工程名稱:	己連拿利
收件人:	羅小姐	發件人:	細佬
工程項目:	Pull out Test	日期:	07/01/2026

<input type="checkbox"/> 原合約工程包	<input type="checkbox"/> 原合約工程加 / 減賬 QT-	<input type="checkbox"/> 新工程報價 QT-
---------------------------------	--	------------------------------------

信件批核號碼/圖紙參考編號:	批核模具圖紙編號:
客戶指示附件:	管理內部批簽署:

<input type="checkbox"/> 初步鋁料 B.M.	<input type="checkbox"/> 加工拆圖, 然後生產	<input type="checkbox"/> 尺寸表
<input type="checkbox"/> 正式鋁料 B.M.	<input type="checkbox"/> 技術上資料/指示	<input type="checkbox"/> 報價
<input type="checkbox"/> 配件 B.M.	<input type="checkbox"/> 樣辦或貨品說明書	<input type="checkbox"/> 分判合約
<input type="checkbox"/> 其他:		

內容:
更新數量表和B D圖
新增幕牆M16拉爆修補方案, 和鋁板項目之前沒有入BD的位置

時間會由地盤呀明打電話回公司約時間

完成上列要求日期: 20/01/2026

國內

<input type="checkbox"/> 生產技術總監	<input type="checkbox"/> 連附件	<input type="checkbox"/> 技術部	<input type="checkbox"/> 連附件	<input type="checkbox"/> 生產部	<input type="checkbox"/> 連附件
<input type="checkbox"/> 採購部	<input type="checkbox"/> 連附件	<input type="checkbox"/> 生產統籌部	<input type="checkbox"/> 連附件	<input type="checkbox"/> 報關組	<input type="checkbox"/> 連附件
<input type="checkbox"/> 質檢部	<input type="checkbox"/> 連附件	<input type="checkbox"/> 會計部	<input type="checkbox"/> 連附件	<input type="checkbox"/> 機械設計部	<input type="checkbox"/> 連附件
<input type="checkbox"/> 香港辦	<input type="checkbox"/> 連附件	<input type="checkbox"/> 其他:			

香港

<input type="checkbox"/> 行政部	<input type="checkbox"/> 連附件	<input type="checkbox"/> 會計部	<input type="checkbox"/> 連附件	<input type="checkbox"/> 統籌部	<input type="checkbox"/> 連附件	<input type="checkbox"/> 工程部	<input type="checkbox"/> 連附件
<input type="checkbox"/> 採購部	<input type="checkbox"/> 連附件	<input type="checkbox"/> QS部	<input type="checkbox"/> 連附件	<input type="checkbox"/> 地盤管理	<input type="checkbox"/> 連附件	<input type="checkbox"/> 維修部	<input type="checkbox"/> 連附件

*發件人簽署:	*組別成員批核簽署:
傳遞編號:	項目經理簽署:

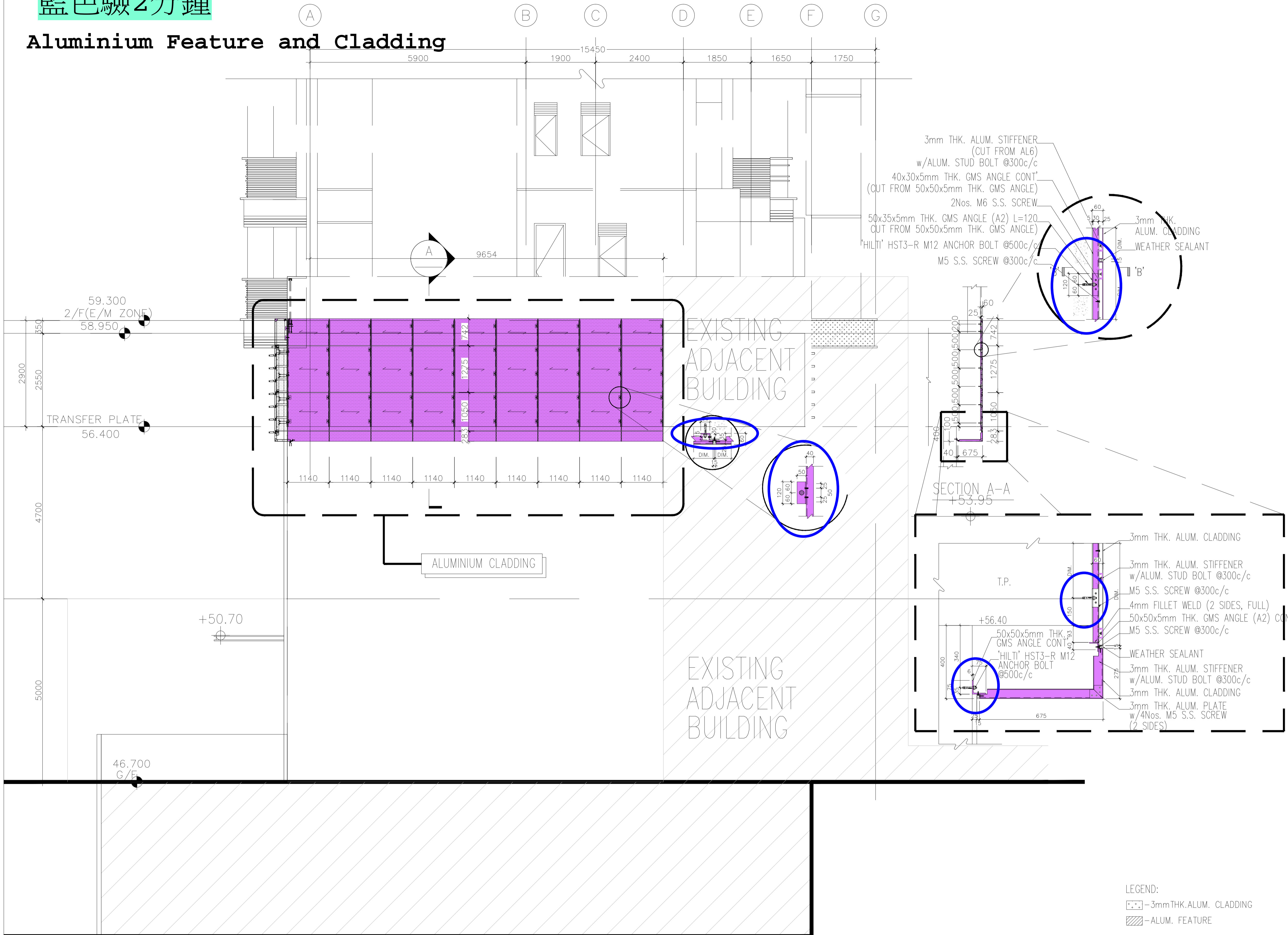
[Handwritten signature]
20/1/2026

Updated: 2026/1/7

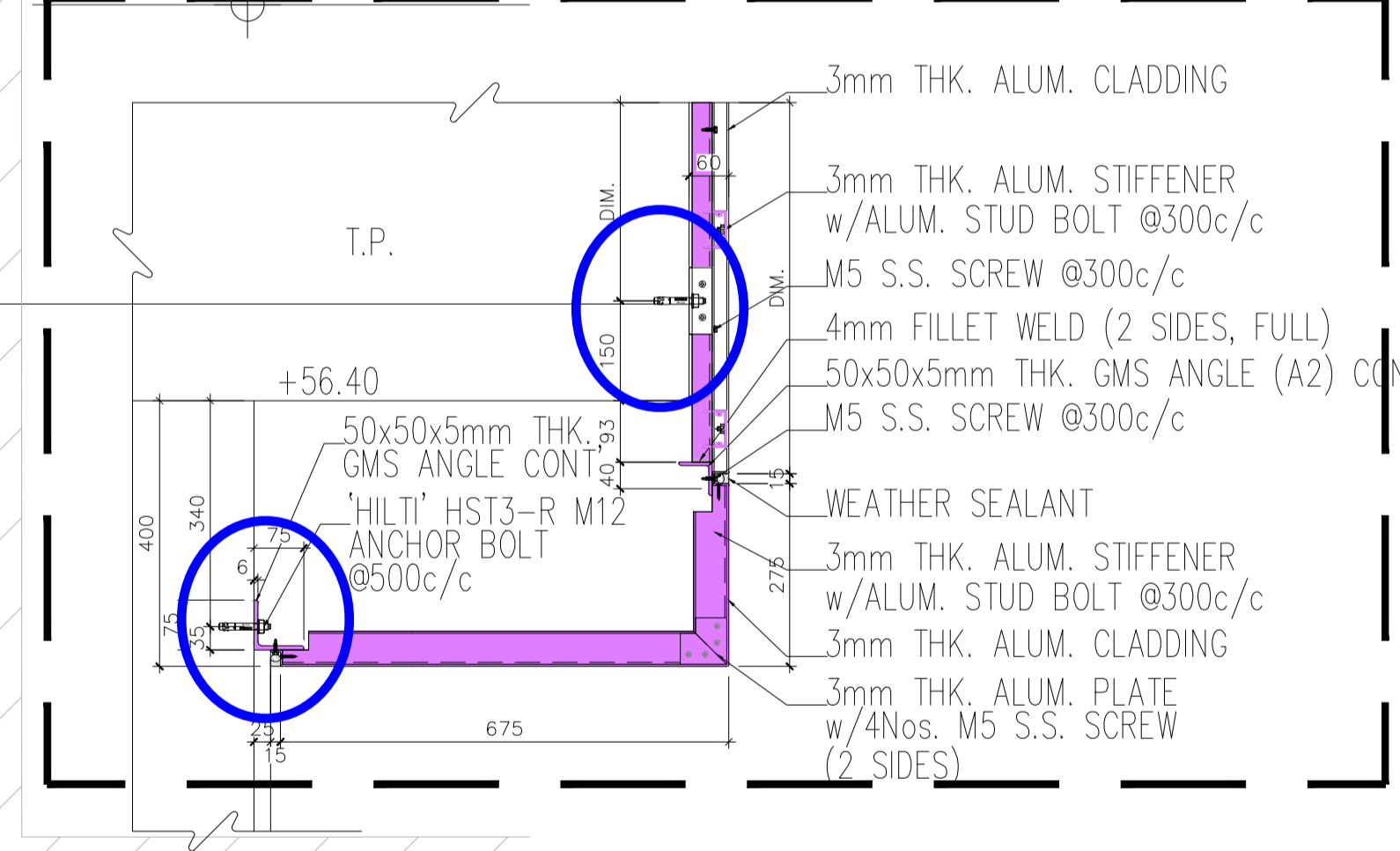
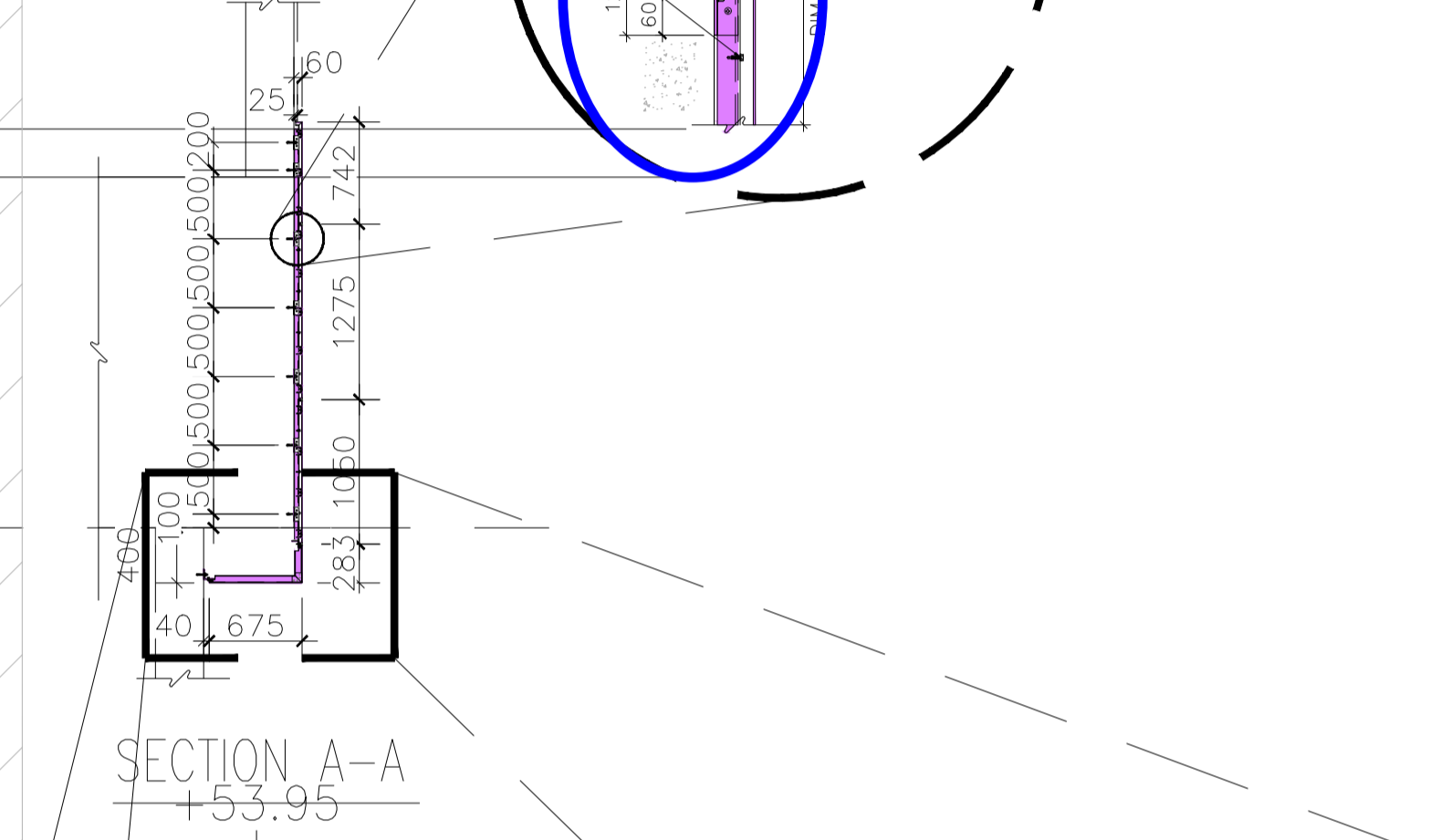
項目	Type of Anchor	Test Load	Holding Time	Total number used	BD required	proposed test QTY 要驗的數量
curtain wall	HILT HST3-R M10	10.07kN	2min	850	1%或最少五粒	10
	HILT HST3-R M16	18.92kN	1hour	48	5%或最少五粒	5
alum feature and cladding	HILT HST3-R M8	5.64kN	2min	200	1%或最少五粒	5
	HILT HST3-R M10	10.07kN	2min	1450	1%或最少五粒	15
	HILT HST3-R M12	13.49kN	2min	650	1%或最少五粒	7
	HILT HST3-R M8	5.64kN	1hour	300	5%或最少五粒	15
	HILT HST3-R M10	10.07kN	1hour	2600	5%或最少五粒	130
	HILT HST3-R M16	18.92kN	2min	104	1%或最少五粒	5
Glass Balustrade, Al AC grille, Al Feature & Ceiling (on the Balcony)	HILT HST3-R M10	10.07kN	2min	2800	1%或最少五粒	28
	HILT HST3-R M12	13.49kN	2min	3400	1%或最少五粒	34
Glass Wall	HILT HST3-R M10	10.07kN	2min	200	1%或最少五粒	5
	HILT HST3-R M12	13.49kN	2min	300	1%或最少五粒	5
Metal Canopy	HILT HST3-R M8	5.64kN	2min	50	1%或最少五粒	5

藍色驗2分鐘

Aluminium Feature and Cladding



3mm THK. ALUM. STIFFENER (CUT FROM AL6)
w/ALUM. STUD BOLT @300c/c
40x30x5mm THK. GMS ANGLE CONT' (CUT FROM 50x50x5mm THK. GMS ANGLE)
2Nos. M6 S.S. SCREW
50x35x5mm THK. GMS ANGLE (A2) L=120 (CUT FROM 50x50x5mm THK. GMS ANGLE)
'HILTI' HST3-R M12 ANCHOR BOLT @500c/c
M5 S.S. SCREW @300c/c



B.D. REF : 3 / 2024 / 18

NOTE :
1. ALL DIMENSIONS ARE IN mm.
2. ALL ELEVATIONS ARE VIEWED FROM OUTSIDE.
3. ALL DIMENSIONS TO BE VERIFIED ON SITE BEFORE FABRICATION.

LEGEND :
X1 -- DETAIL MARK NO.
X001 -- REFER SHEET NO.
1. F.F.L. -- FINISHED FLOOR LEVEL
2. S.F.L. -- STRUCTURAL FLOOR LEVEL
3. /R -- REVERSED DETAIL

NO.	DATE	REVISED	BY
-----	------	---------	----

CLIENT :
MILLION BASE PROPERTIES LIMITED

ARCHITECT :
WONG TUNG & PARTNERS LIMITED
ARCHITECTS & PLANNERS

STRUCTURAL ENGINEER :
SYW & ASSOCIATES LTD.
STRUCTURAL ENGINEERS & AUTHORIZED PERSONS

MAIN CONTRACTOR :
顯利工程有限公司
HIEN LEE ENGINEERING CO., LTD.

美特鋁質有限公司
MIDI ALUMINIUM FABRICATOR LTD.
Units 6-8, Sunray Industrial Centre, 1/F
610 Cha Kwo Ling Road, Kowloon
Tel:23489211-4 Fax:(852)27727666

JOB NO. : J-861
PROJECT : PROPOSED RESIDENTIAL DEVELOPMENT AT NOS. 3-6 GLENEALY, CENTRAL, HONG KONG

TITLE : PARTIAL ELEVATION CLADDING AND FEATURE AT PODIUM

DATE : 13-10-2025 SCALE : 1 : 50
DRAWN BY : MK CHECKED BY : MK
DWG NO. : J861-BDAF-EL-2005 REV. : -

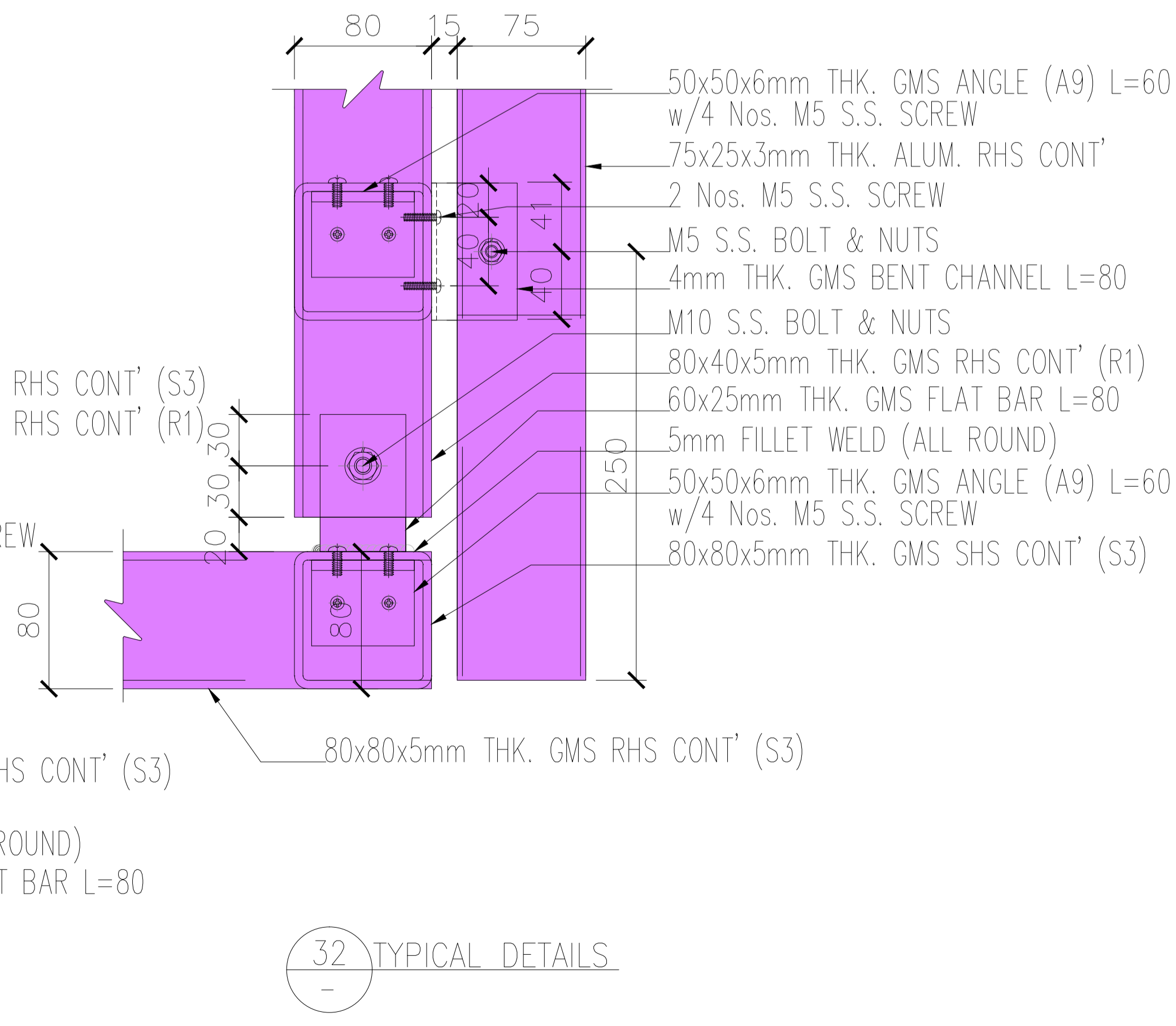
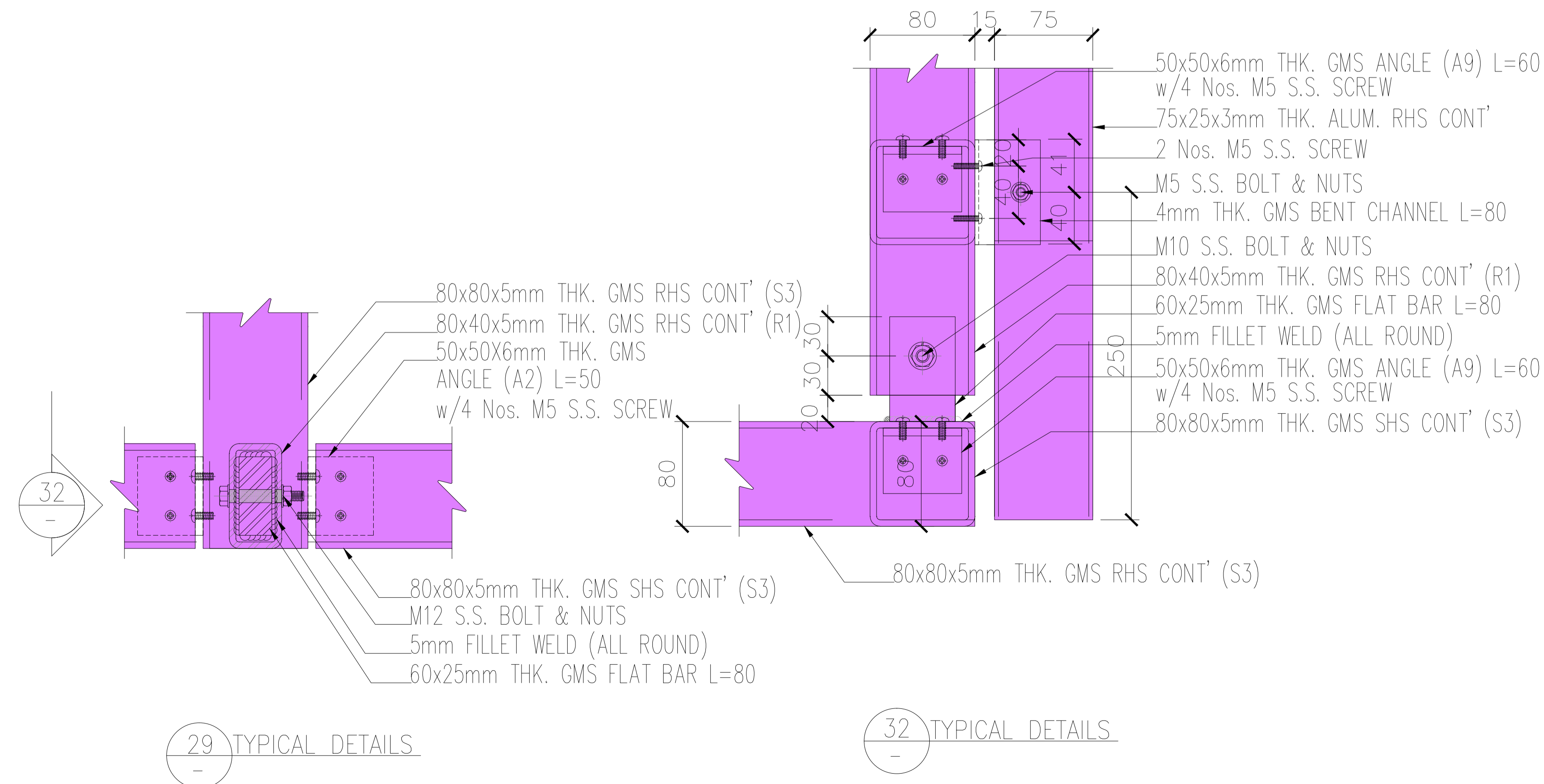
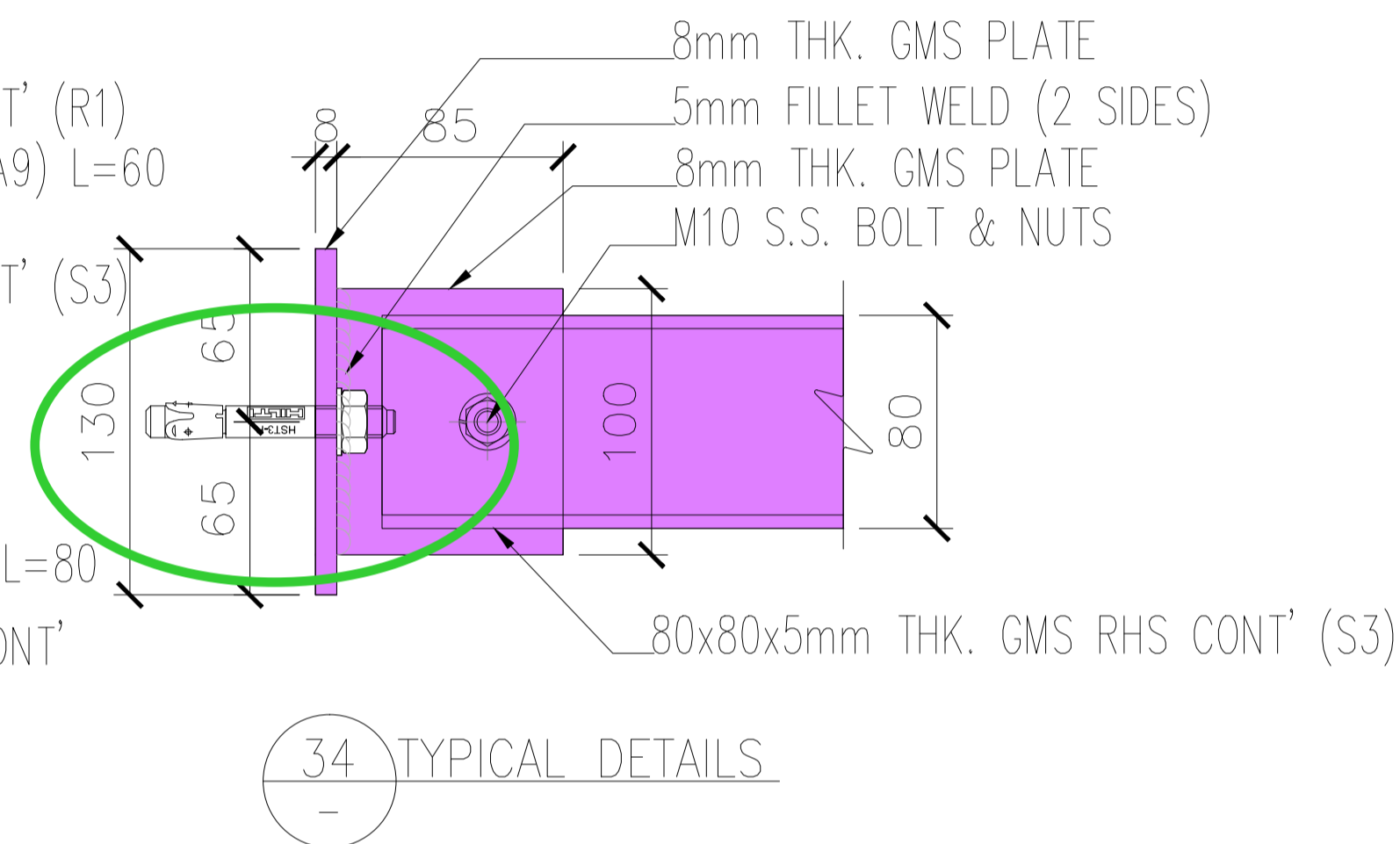
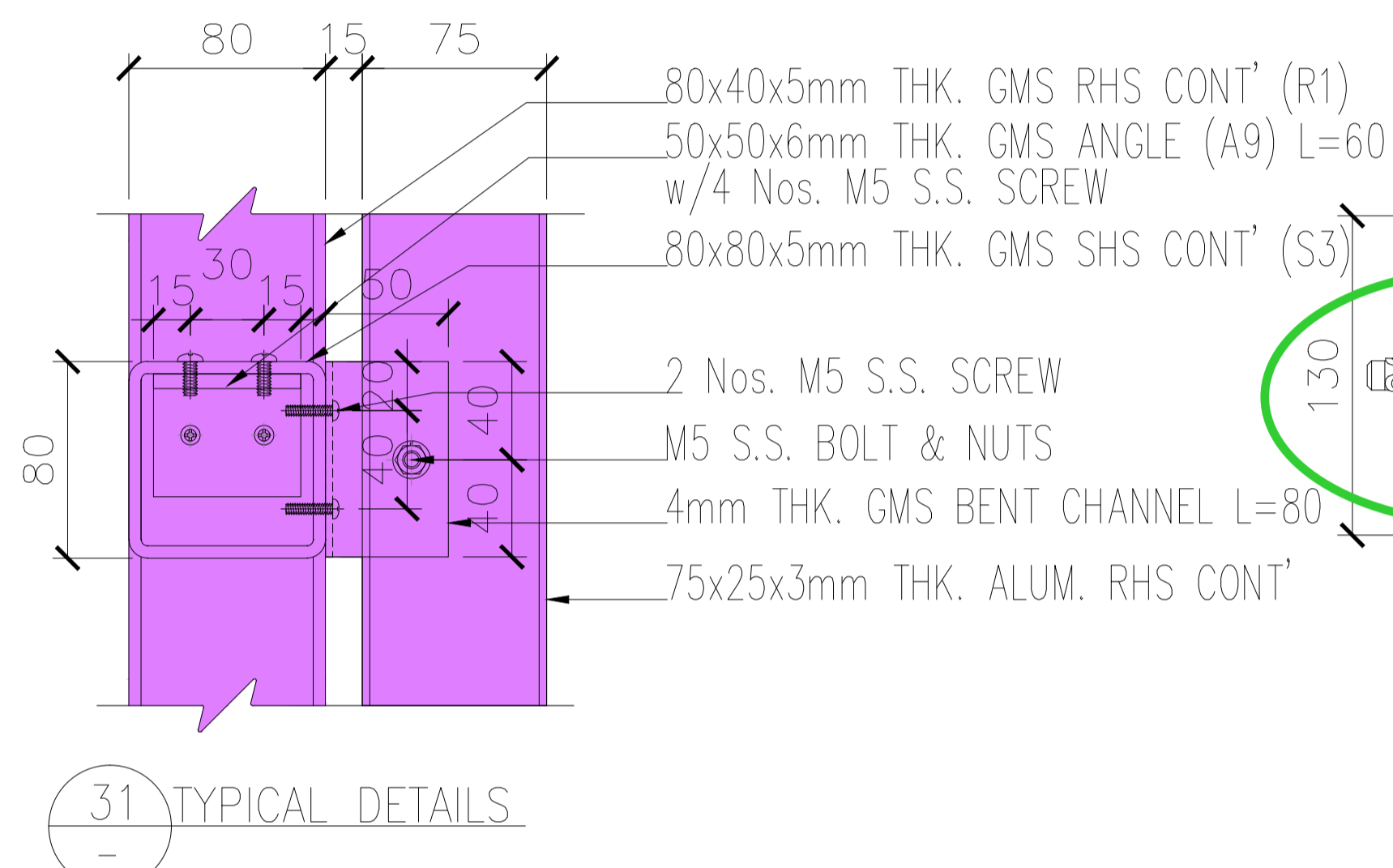
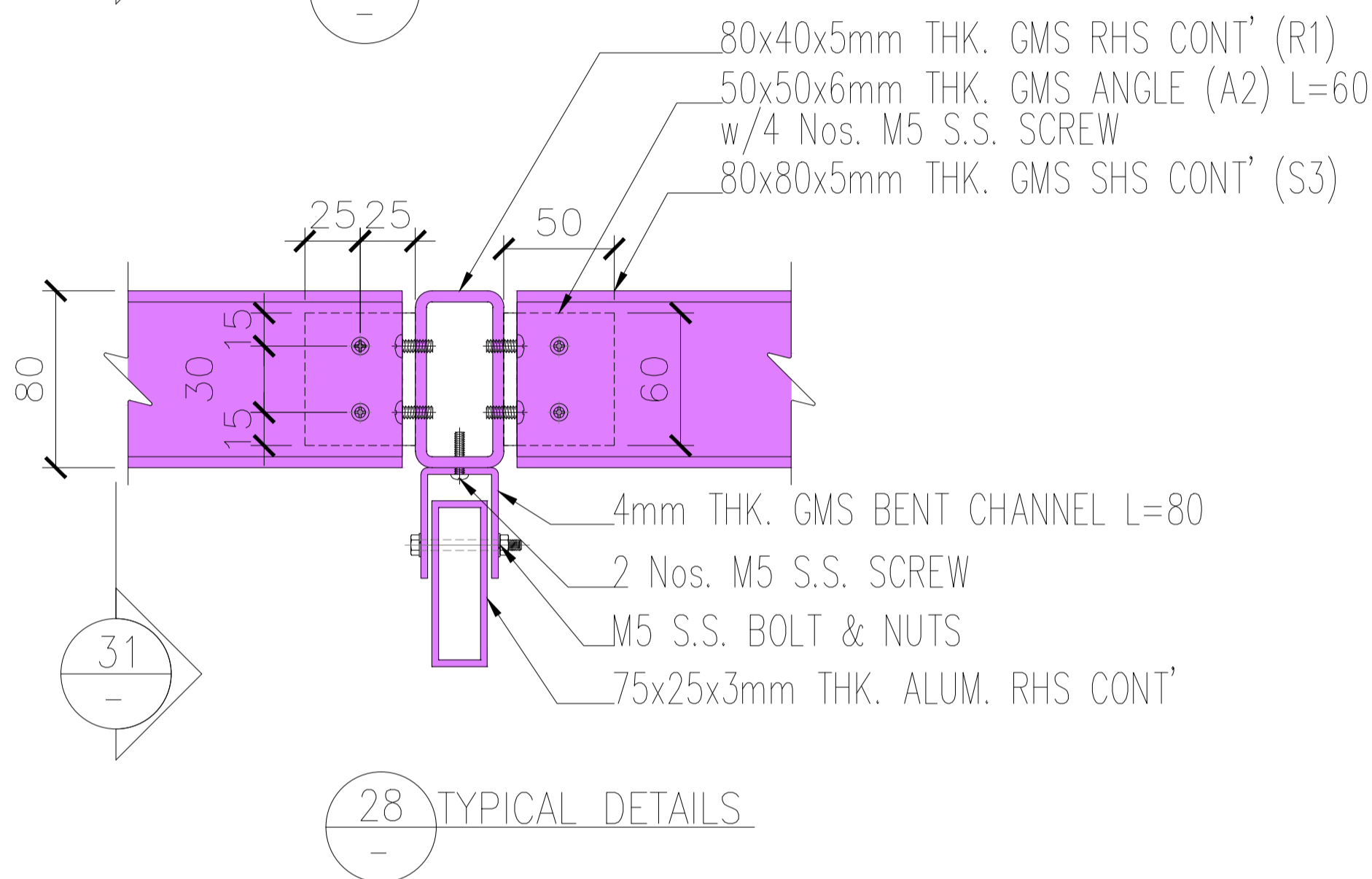
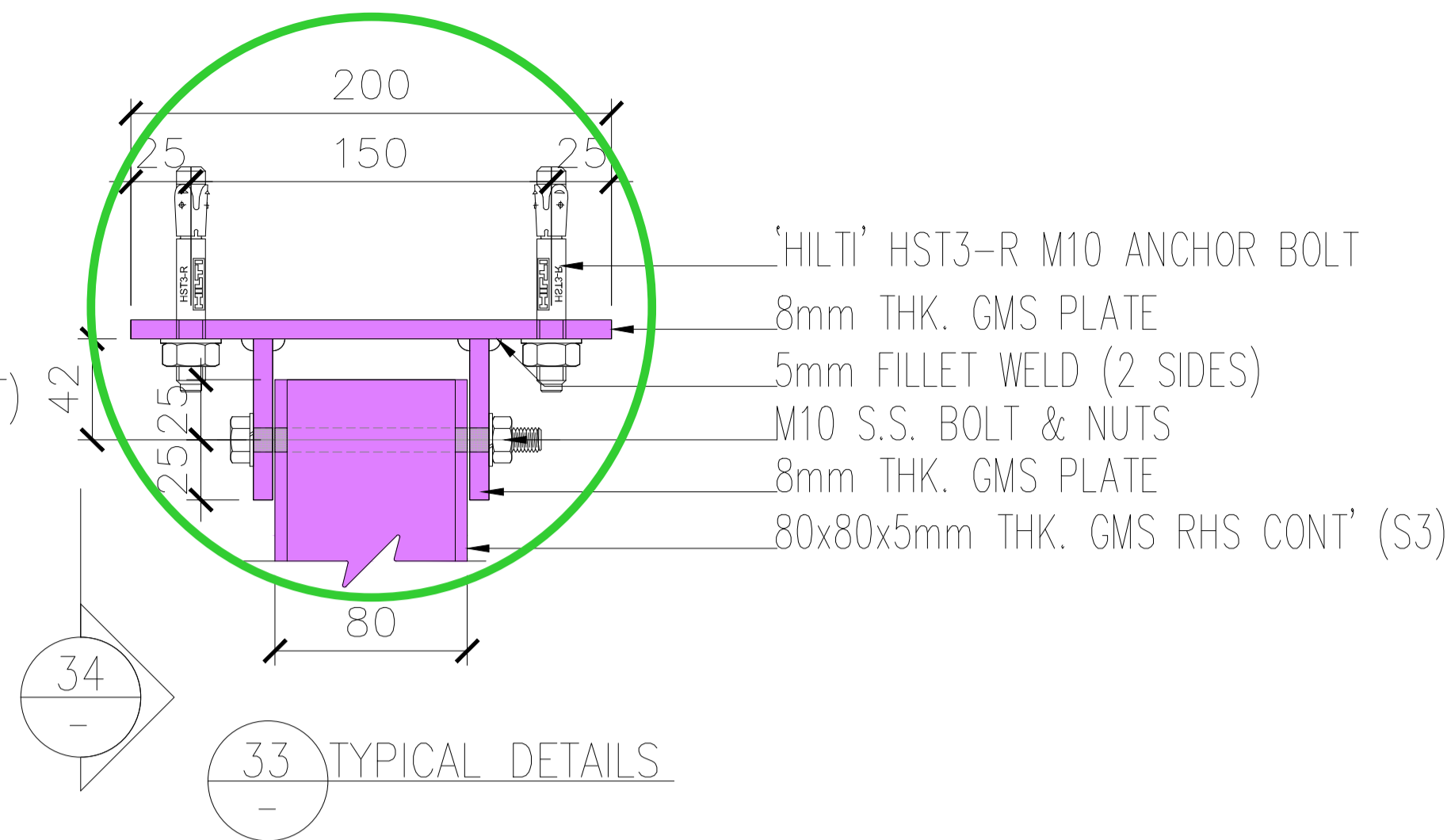
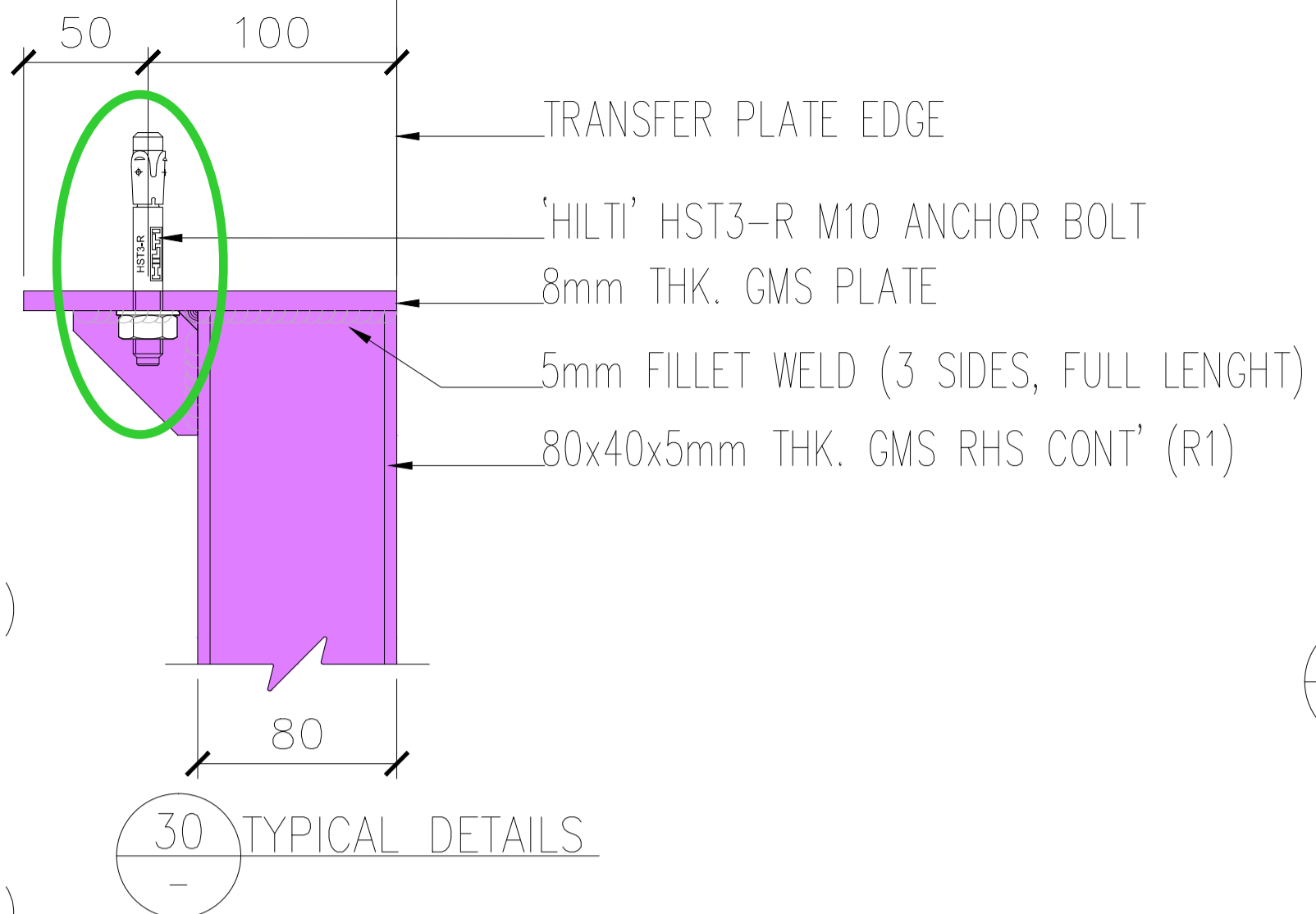
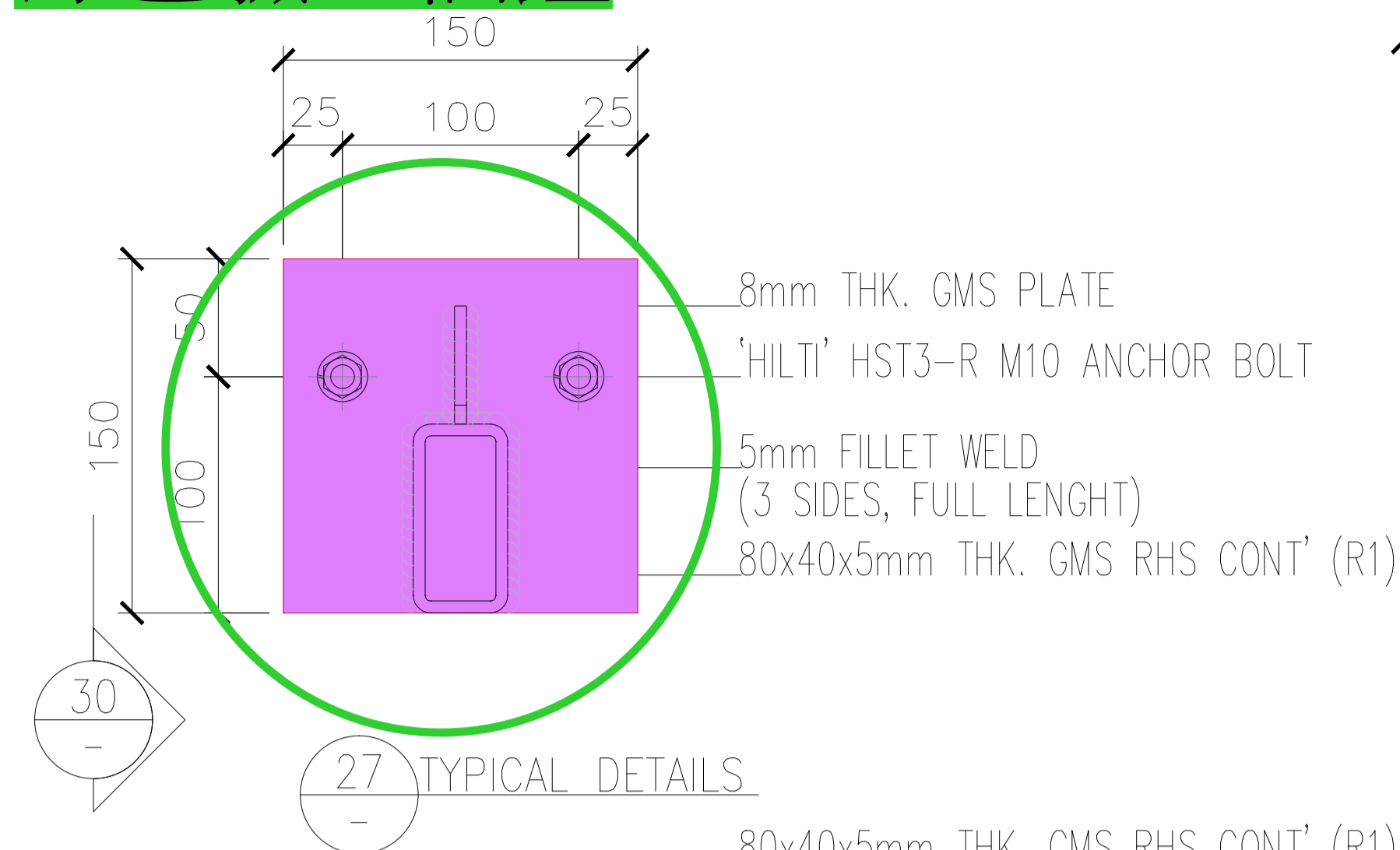
FOR R.S.E. OFFICIAL USE

FOR B.D. OFFICIAL USE

LEGEND:
[Pattern] - 3mm THK. ALUM. CLADDING
[Pattern] - ALUM. FEATURE

01 ELEVATION 2
1:100@A3

NEW DRAWING



PROPERTIES	
SECTION	75x25x3mm THK. ALUM. RHS (A7)
Area (mm ²)	564
Lxx (mm ⁴)	358767
Lyy (mm ⁴)	58217
Zxx (mm ³)	9567
Zyy (mm ³)	4657
REMARK	6063-T5

NOTE :
 1. ALL DIMENSIONS ARE IN mm.
 2. ALL ELEVATIONS ARE VIEWED FROM OUTSIDE.
 3. ALL DIMENSIONS TO BE VERIFIED ON SITE BEFORE FABRICATION.

LEGEND :
 X1 -- DETAIL MARK NO.
 X001 -- REFER SHEET NO.
 1. F.F.L. -- FINISHED FLOOR LEVEL
 2. S.F.L. -- STRUCTURAL FLOOR LEVEL
 3. (R) -- REVERSED DETAIL

CLIENT :
 MILLION BASE PROPERTIES LIMITED

ARCHITECT :
 WONG TUNG & PARTNERS LIMITED
 ARCHITECTS & PLANNERS

STRUCTURAL ENGINEER :
 SYW & ASSOCIATES LTD.
 邵賢偉建築工程師

MAIN CONTRACTOR :
 顯利工程有限公司
 HIEN LEE ENGINEERING CO., LTD.

美特鋁質有限公司
 MIDI ALUMINIUM FABRICATOR LTD.
 Units 6-8, Sunray Industrial Centre, 1/F
 610 Cha Kwo Ling Road, Kowloon
 Tel:23489211-4 Fax:(852)2727666

JOB NO. : J-861
 PROJECT : PROPOSED RESIDENTIAL DEVELOPMENT AT NOS. 3-6 GLENEALY, CENTRAL, HONG KONG

TITLE : SECTION DETAIL

DATE : 13-10-2025 SCALE : 1:2.5

DRAWN BY : MK CHECKED BY : MK

DWG NO. : J861-BDAF-5011 REV. : -

FOR R.S.E. OFFICIAL USE

FOR B.D. OFFICIAL USE

藍色驗2分鐘 Aluminium Feature and Cladding

B.D. REF : 3 / 2024 / 18

NOTE :
 1. ALL DIMENSIONS ARE IN mm.
 2. ALL ELEVATIONS ARE VIEWED FROM OUTSIDE.
 3. ALL DIMENSIONS TO BE VERIFIED ON SITE BEFORE FABRICATION.

LEGEND :
 (X1) --- DETAIL MARK NO.
 X001 --- REFER SHEET NO.
 1. F.F.L. --- FINISHED FLOOR LEVEL
 2. S.F.L. --- STRUCTURAL FLOOR LEVEL
 3. (R) --- REVERSED DETAIL

NO.	DATE	REVISED	BY

CLIENT :
MILLION BASE PROPERTIES LIMITED

ARCHITECT :
WONG TUNG & PARTNERS LIMITED
 ARCHITECTS & PLANNERS

STRUCTURAL ENGINEER :
SYW & ASSOCIATES LTD.
 邵賢偉建築工程師

MAIN CONTRACTOR :
顯利工程有限公司
 HIEN LEE ENGINEERING CO., LTD.

美特鋁質有限公司
 MIDI ALUMINIUM FABRICATOR LTD.
 Units 6-8, Sunray Industrial Centre, 1/F
 610 Cha Kwo Ling Road, Kowloon
 Tel: 23489211-4 Fax: (852) 2727666

JOB NO. : J-861

PROJECT :
 PROPOSED RESIDENTIAL DEVELOPMENT AT NOS. 3-6 GLENEALY, CENTRAL, HONG KONG

TITLE :
 SECTION DETAIL

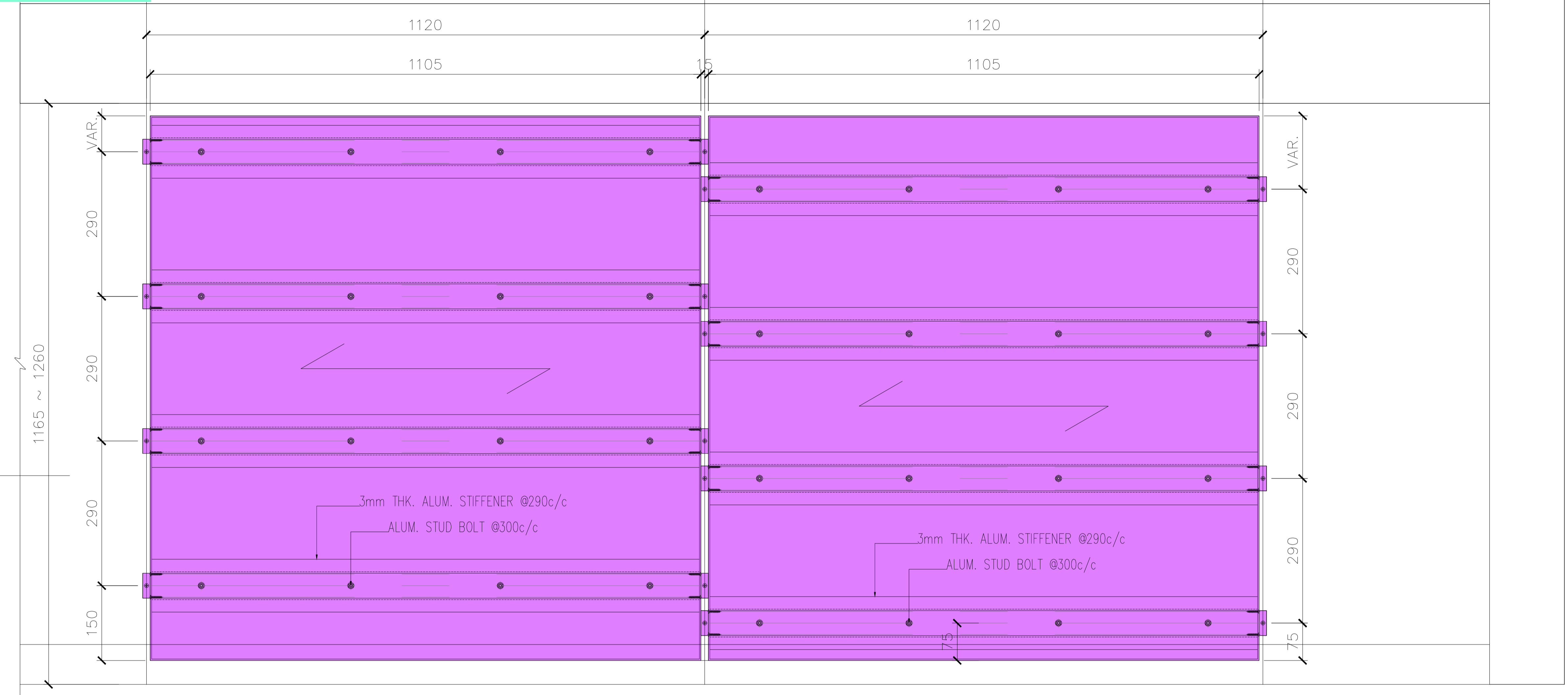
DATE : 13-10-2025 SCALE : 1:5

DRAWN BY : MK CHECKED BY : MK

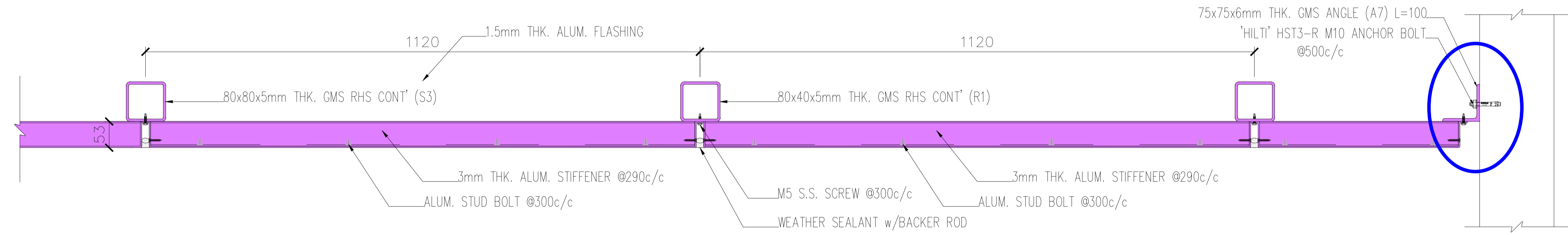
DWG NO. : J861-BDAF-5012 REV. : -

FOR R.S.E. OFFICIAL USE

FOR B.D. OFFICIAL USE



37 TYPICAL DETAILS
 5012 FOR ALUM. CLADDING

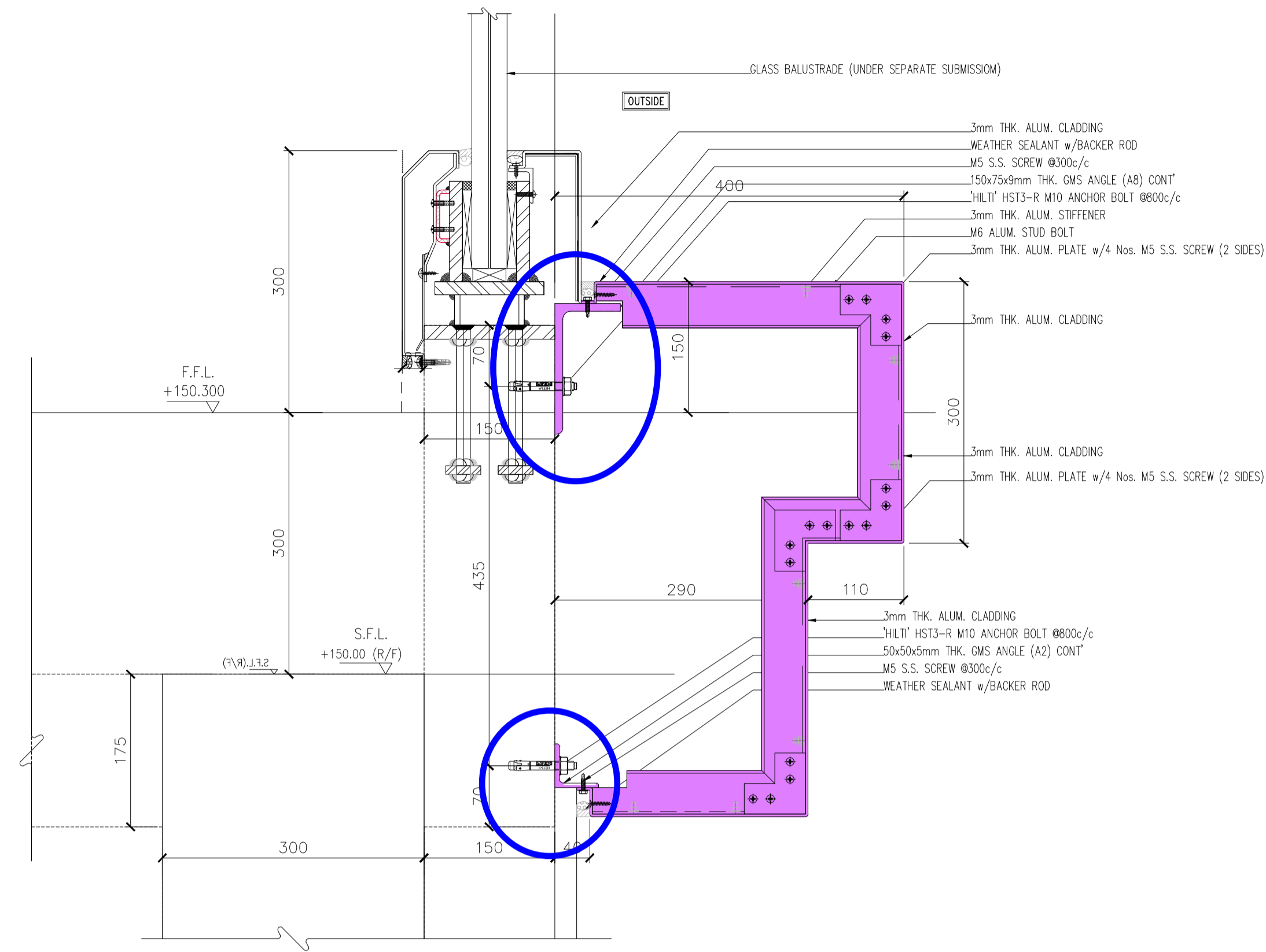


38 TYPICAL DETAILS
 5012 FOR ALUM. CLADDING

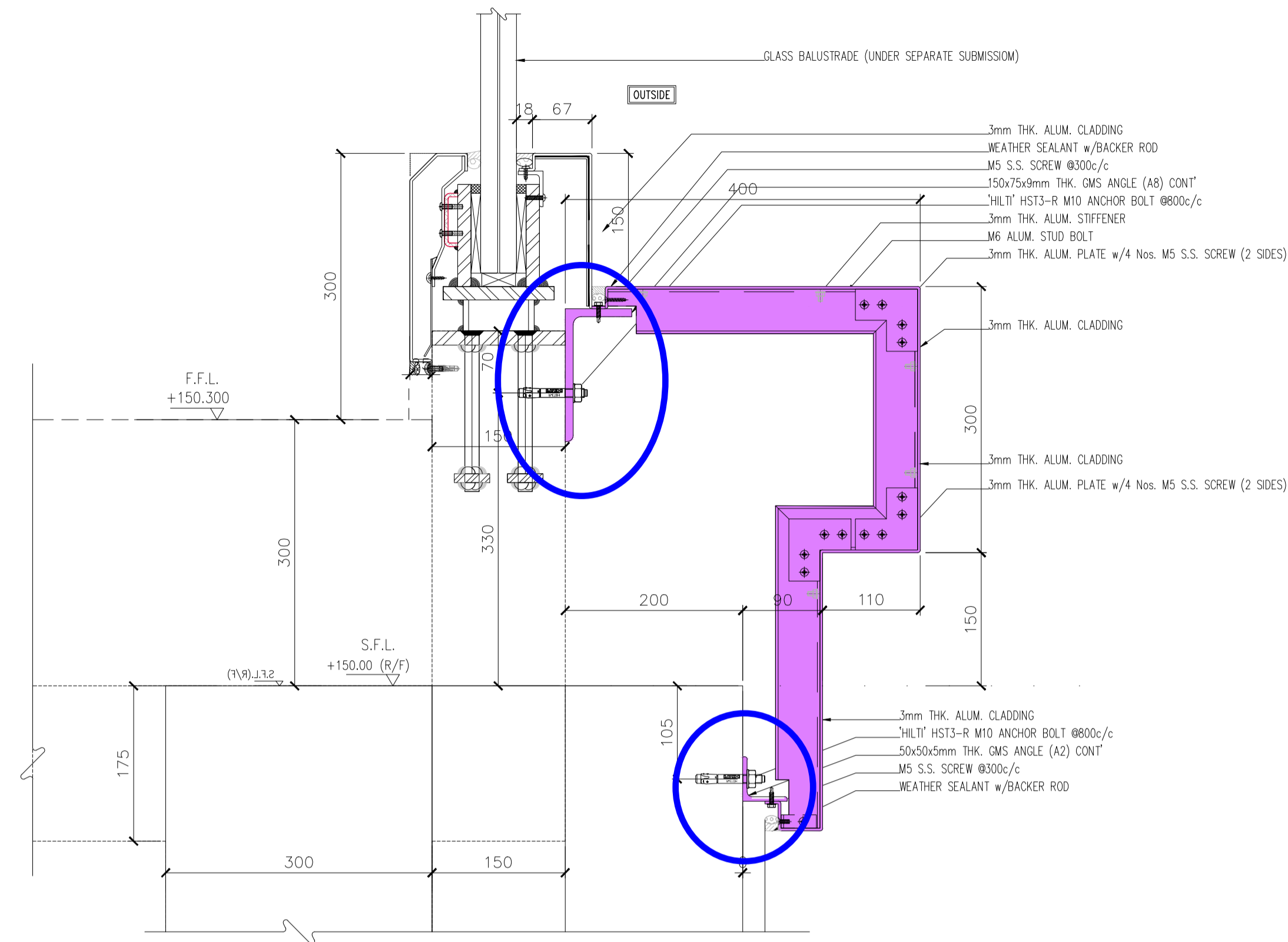
NEW DRAWING

藍色驗2分鐘

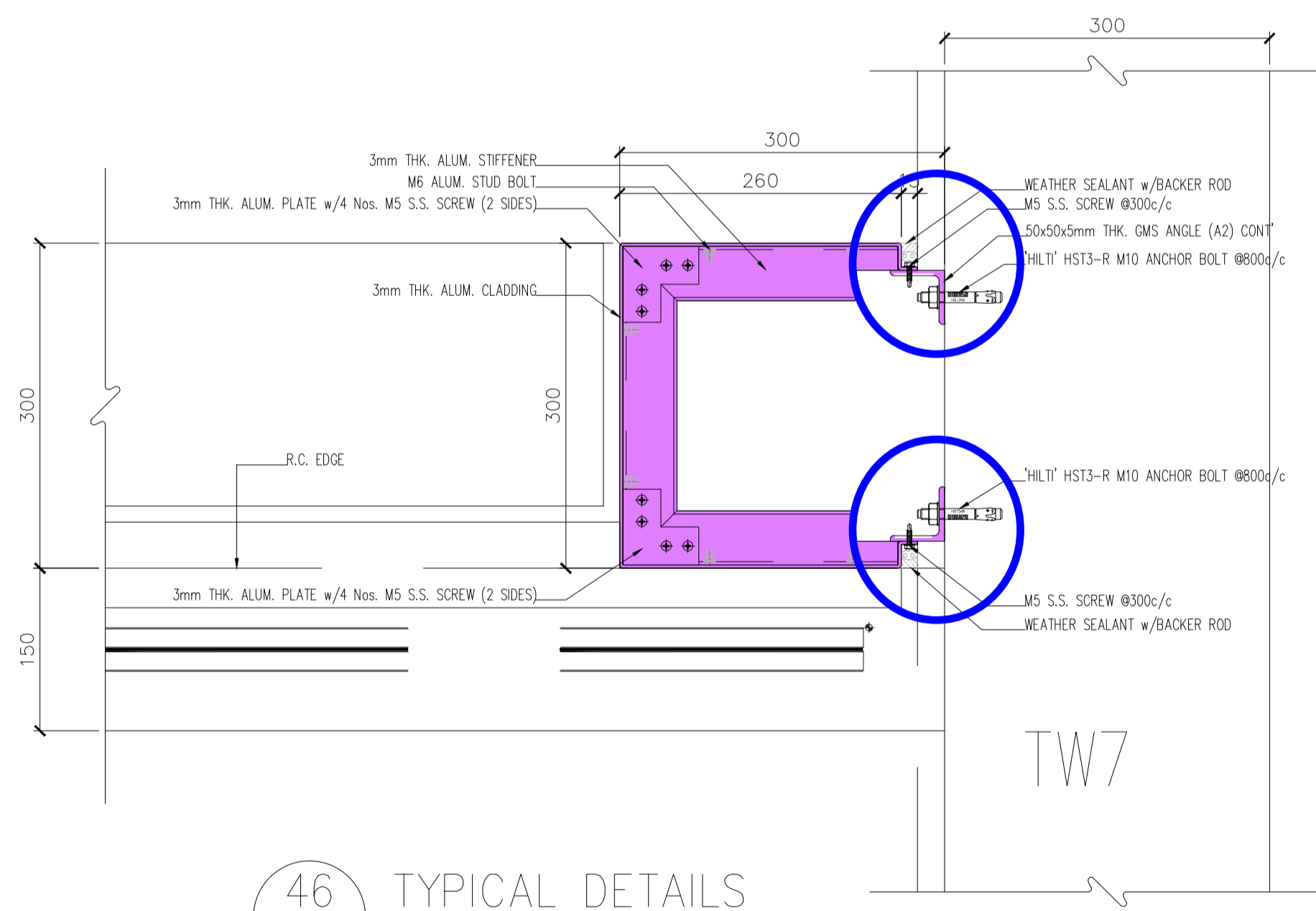
Aluminium Feature and Cladding



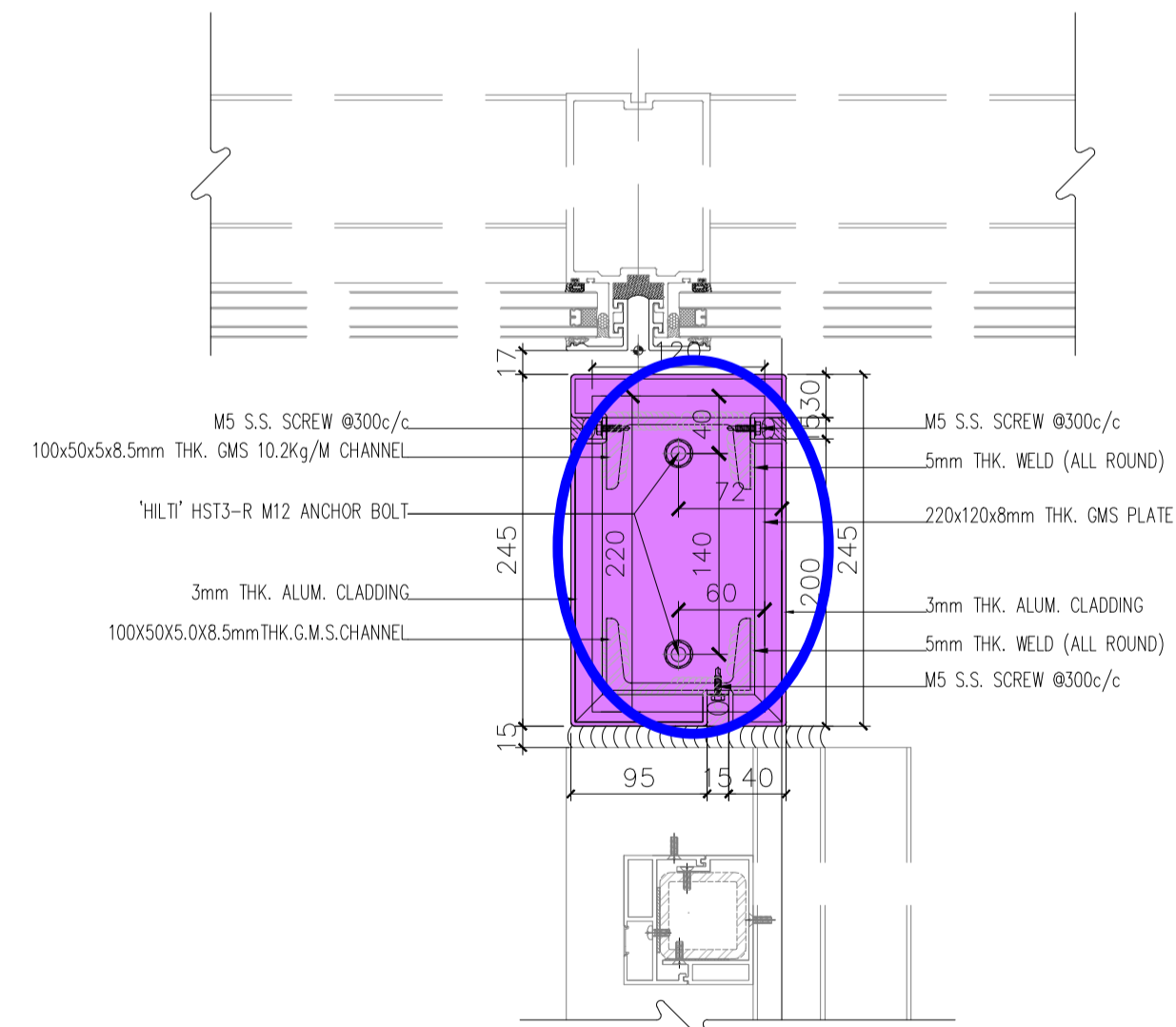
44 TYPICAL DETAILS



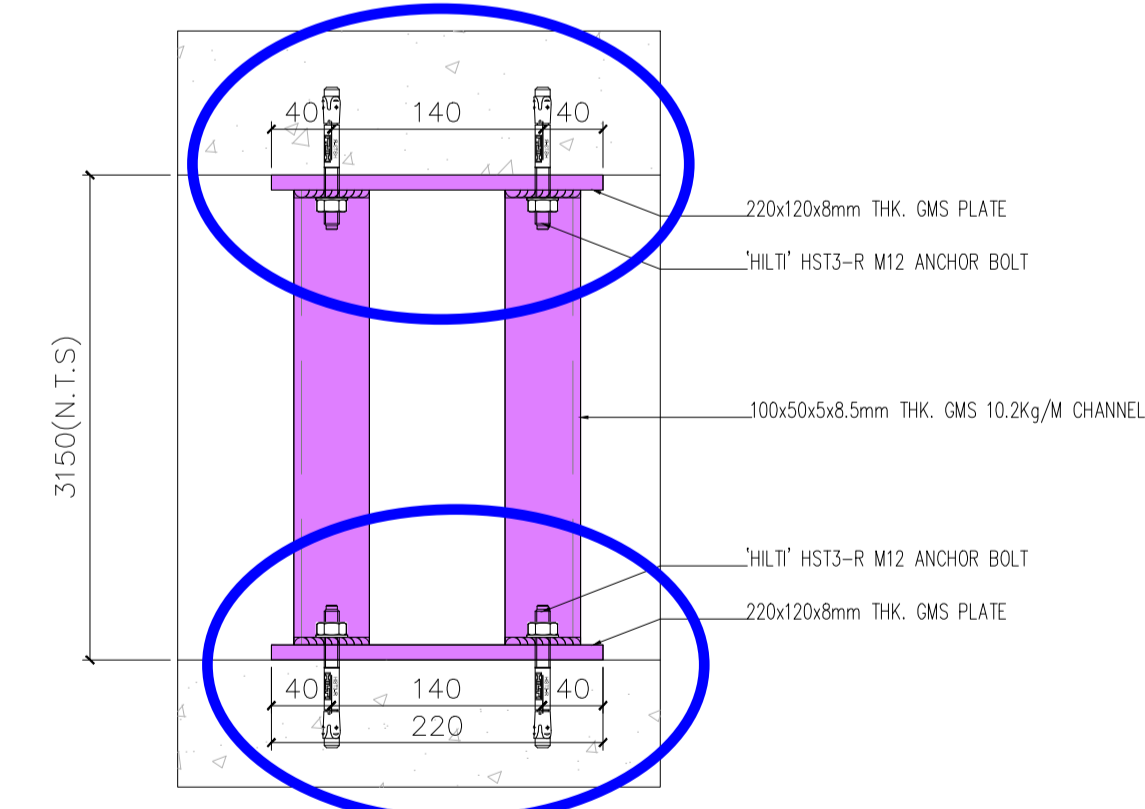
45 TYPICAL DETAILS



46 TYPICAL DETAILS



47 TYPICAL DETAILS
3/F ~ 12/F ONLY



48 TYPICAL DETAILS
3/F ~ 12/F ONLY

- NOTE :
1. ALL DIMENSIONS ARE IN mm.
 2. ALL ELEVATIONS ARE VIEWED FROM OUTSIDE.
 3. ALL DIMENSIONS TO BE VERIFIED ON SITE BEFORE FABRICATION.

- LEGEND :
- (X1) --- DETAIL MARK NO.
 - (X001) --- REFER SHEET NO.

1. F.F.L. --- FINISHED FLOOR LEVEL
2. S.F.L. --- STRUCTURAL FLOOR LEVEL
3. (R) --- REVERSED DETAIL

NO.	DATE	REVISED	BY

CLIENT :
MILLION BASE PROPERTIES LIMITED

ARCHITECT :
WONG TUNG & PARTNERS LIMITED
ARCHITECTS & PLANNERS

STRUCTURAL ENGINEER :
SYW | SYW & ASSOCIATES LTD.
REGISTERED ENGINEERS & AUTHORIZED PERSONNEL
邵賢偉建築工程師

MAIN CONTRACTOR :
HIEN LEE ENGINEERING CO., LTD.

美特鋁質有限公司
MIDI ALUMINIUM FABRICATOR LTD.
Units 6-8, Sunray Industrial Centre, 1/F
610 Cha Kwo Ling Road, Kowloon
Tel:23489211-4 Fax:(852)2727666

JOB NO. : J-861

PROJECT :
PROPOSED RESIDENTIAL
DEVELOPMENT AT NOS. 3-6
GLENEALY, CENTRAL, HONG KONG

TITLE :
SECTION DETAIL

DATE : 13-10-2025 SCALE : 1:5

DRAWN BY : MK CHECKED BY : MK

DWG NO. : J861-BDAF-5014 REV. : -

FOR R.S.E. OFFICIAL USE

FOR B.D. OFFICIAL USE

藍色驗2分鐘

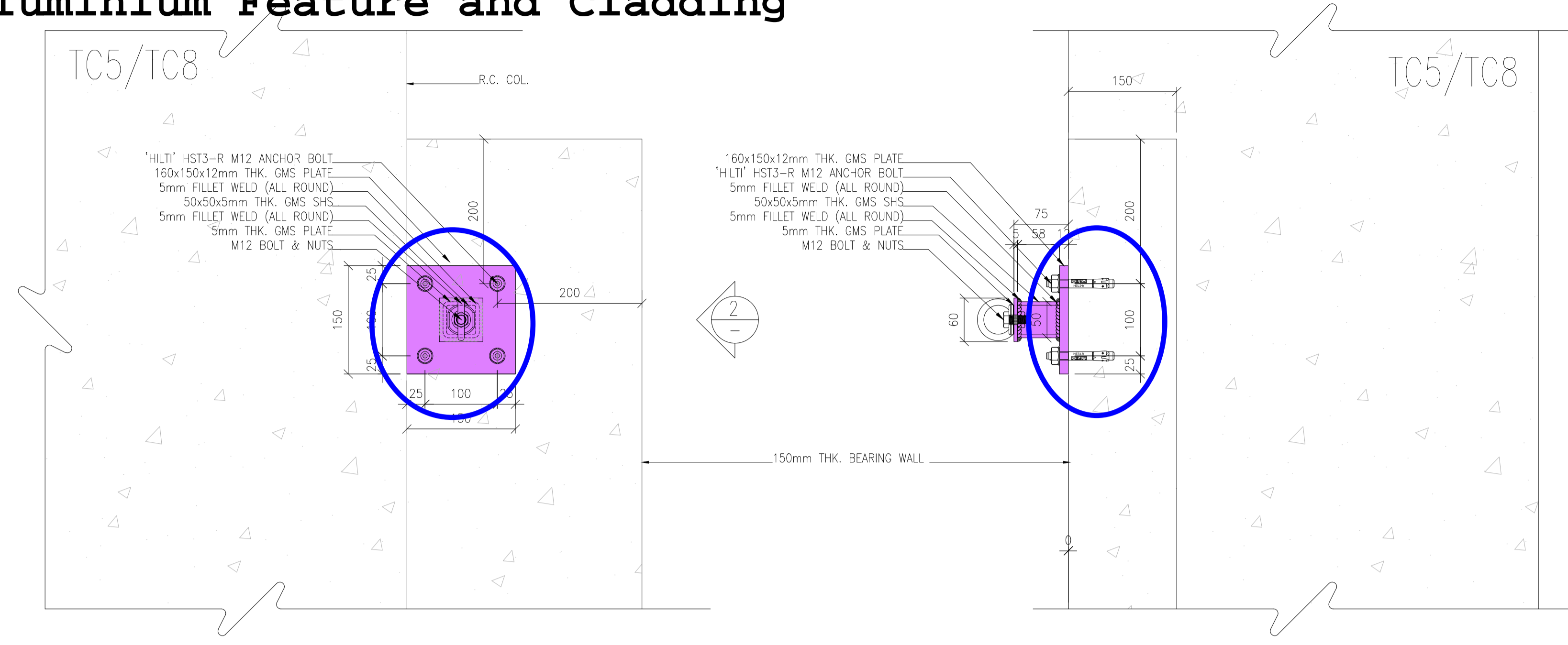
Aluminium Feature and Cladding

R.C. STRUCTURAL ELEMENT
COL. / BEAM / SLAB
IS (UNDER SEPARATED SUBMISSION)

B.D. REF : 3 / 2024 / 18

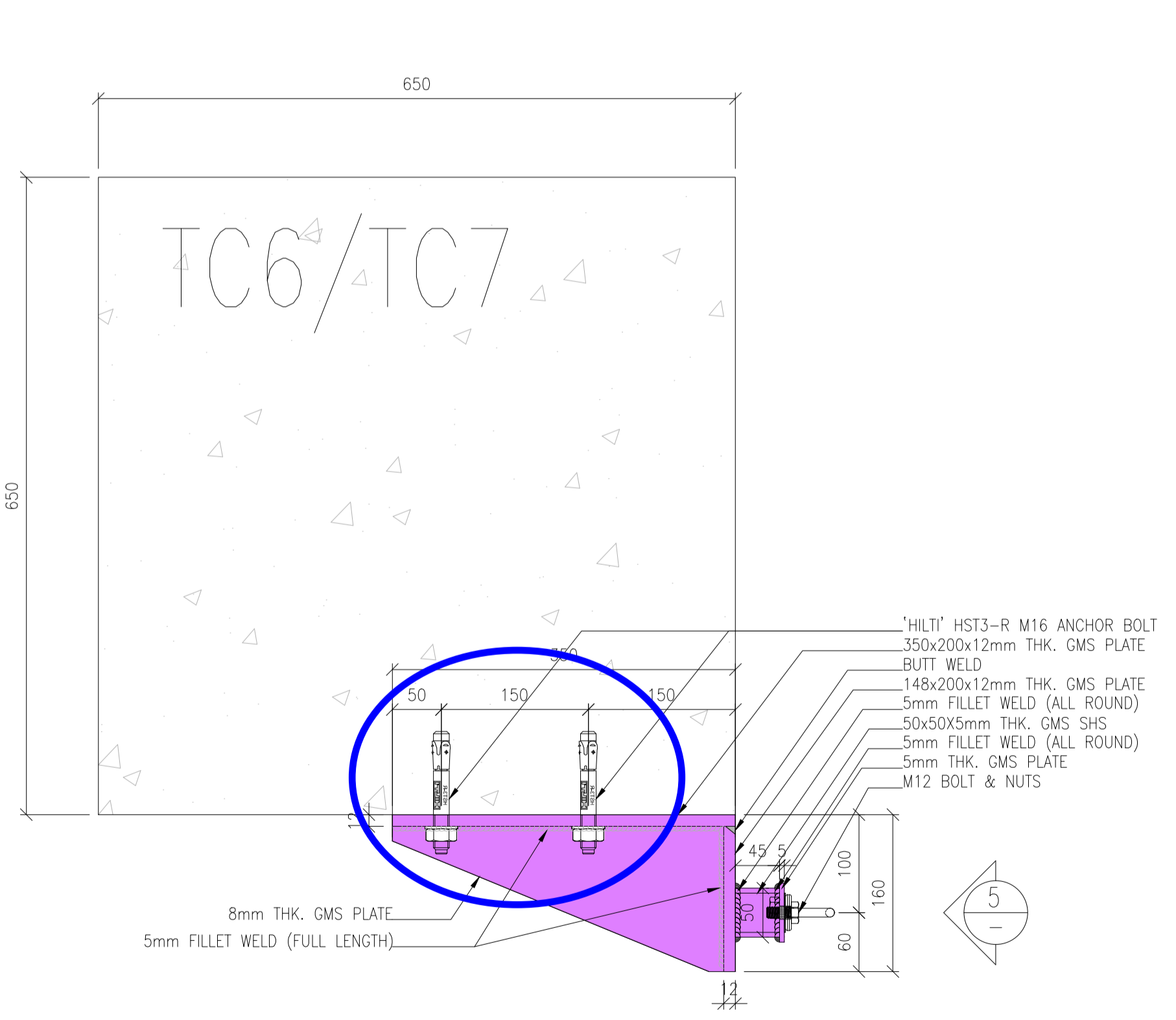
NOTE :
1. ALL DIMENSIONS ARE IN mm.
2. ALL ELEVATIONS ARE VIEWED FROM OUTSIDE.
3. ALL DIMENSIONS TO BE VERIFIED ON SITE BEFORE FABRICATION.

LEGEND :
X1 -- DETAIL MARK NO.
X001 -- REFER SHEET NO.
1. F.F.L. -- FINISHED FLOOR LEVEL
2. S.F.L. -- STRUCTURAL FLOOR LEVEL
3. (R) -- REVERSED DETAIL



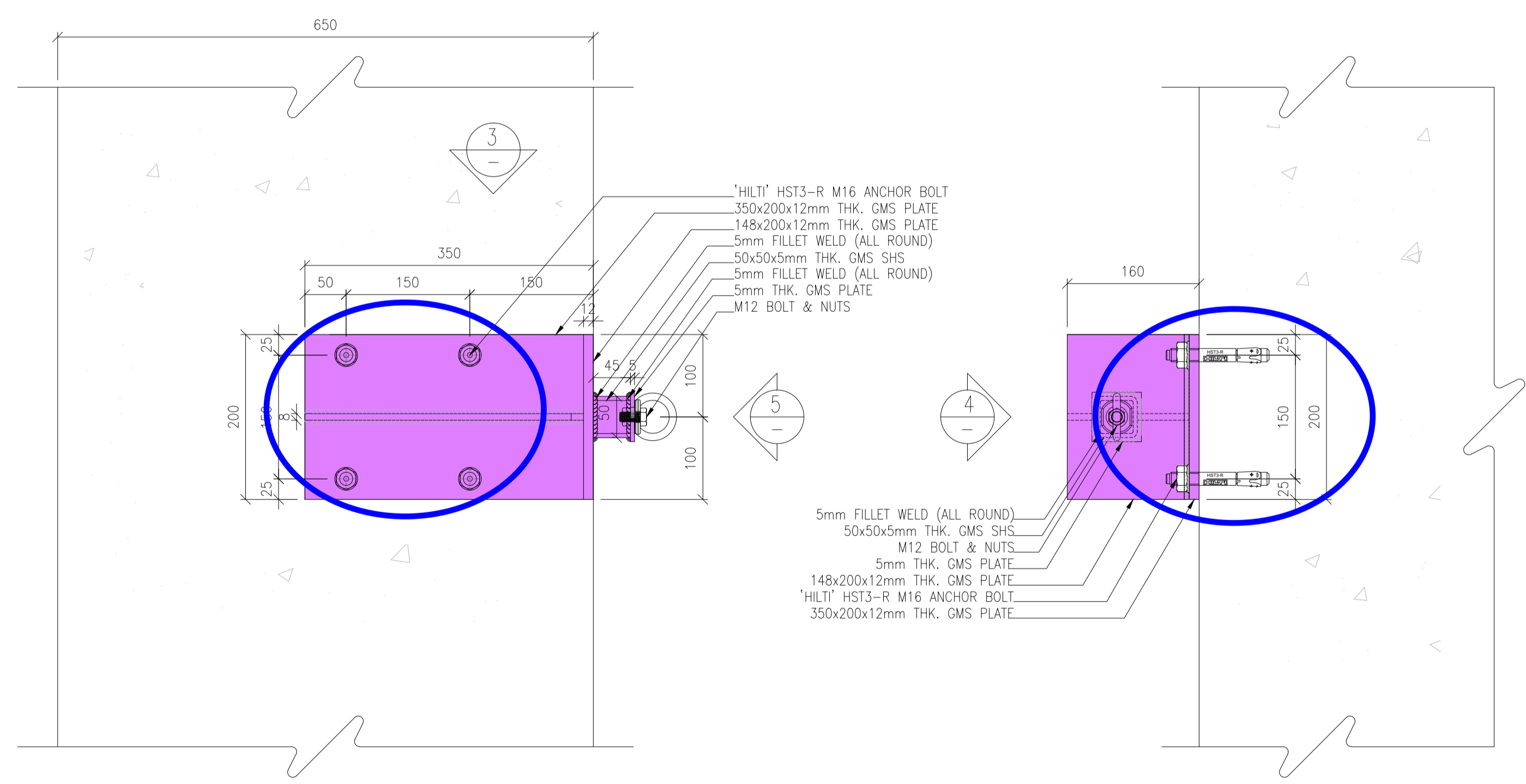
1 TYPICAL DETAIL
- CASE 1

2 TYPICAL DETAIL
- CASE 1



3 TYPICAL DETAIL
- CASE 1

4



4 TYPICAL DETAIL
- CASE 1

5 TYPICAL DETAIL
- CASE 1

NO.	DATE	REVISED	BY

CLIENT :
MILLION BASE PROPERTIES LIMITED

ARCHITECT :
WONG TUNG & PARTNERS LIMITED
ARCHITECTS & PLANNERS

STRUCTURAL ENGINEER :
SYW & ASSOCIATES LTD.
REGISTERED ENGINEERS & AUTHORIZED PERSONS
邵賢偉建築工程師

MAIN CONTRACTOR :
顯利工程有限公司
HIEN LEE ENGINEERING CO., LTD.

美特鋁質有限公司
MIDI ALUMINIUM FABRICATOR LTD.
Units 6-8, Sunray Industrial Centre, 1/F
610 Cha Kwo Ling Road, Kowloon
Tel:23489211-4 Fax:(852)27727666

JOB NO. : J-861

PROJECT :
PROPOSED RESIDENTIAL
DEVELOPMENT AT NOS. 3-6
GLENEALY, CENTRAL, HONG KONG

TITLE :
SECTION DETAILS
FOR FALL ARREST

DATE : 13-10-2025 SCALE : 1:30

DRAWN BY : CHECKED BY :

DWG NO. : J861-BDAF-5018 REV. :-

FOR R.S.E. OFFICIAL USE

FOR B.D. OFFICIAL USE

NEW DRAWING