



工程指示 / 要求簡箋 ENGINEER INSTRUCTIONS(E.I.)

工程指示編號:	EI- 8934	修改版本:	G
	HK- 0495		
工程編號:	J 861	工程名稱:	己連拿利
收件人:	生統/技術部	發件人:	細佬
工程項目:	幕牆	日期:	09/06/2025

<input type="checkbox"/> 原合約工程包	<input type="checkbox"/> 原合約工程加 / 減賬 QT-	<input type="checkbox"/> 新工程報價 QT-
---------------------------------	--	------------------------------------

信件批核號碼/圖紙參考編號:	批核模具圖紙編號:
客戶指示附件:	管理內部批簽署:

<input type="checkbox"/> 初步鋁料 B.M.	<input type="checkbox"/> 加工拆圖, 然後生產	<input type="checkbox"/> 尺寸表
<input type="checkbox"/> 正式鋁料 B.M.	<input type="checkbox"/> 技術上資料/指示	<input type="checkbox"/> 報價
<input type="checkbox"/> 配件 B.M.	<input type="checkbox"/> 樣辦或貨品說明書	<input type="checkbox"/> 分判合約
<input type="checkbox"/> 其他:		

內容:	給技術部: 附頁1至6是設計修改, 附頁7是尺寸修改回覆技術部的問題
	CAD文件在以下位置 J:\midi_sharepoint\Public\to_china\謝永林\J861\EI8934G_HK0495_CAD
	備注: 6月9日大明通知
完成上列要求日期:	13/06/2025

國內

<input type="checkbox"/> 生產技術總監	<input type="checkbox"/> 連附件	<input checked="" type="checkbox"/> 技術部	<input checked="" type="checkbox"/> 連附件	<input type="checkbox"/> 生產部	<input type="checkbox"/> 連附件
<input type="checkbox"/> 採購部	<input type="checkbox"/> 連附件	<input type="checkbox"/> 生產統籌部	<input type="checkbox"/> 連附件	<input type="checkbox"/> 報關組	<input type="checkbox"/> 連附件
<input type="checkbox"/> 質檢部	<input type="checkbox"/> 連附件	<input type="checkbox"/> 會計部	<input type="checkbox"/> 連附件	<input type="checkbox"/> 機械設計部	<input type="checkbox"/> 連附件
<input type="checkbox"/> 香港辦	<input type="checkbox"/> 連附件	<input type="checkbox"/> 其他:			

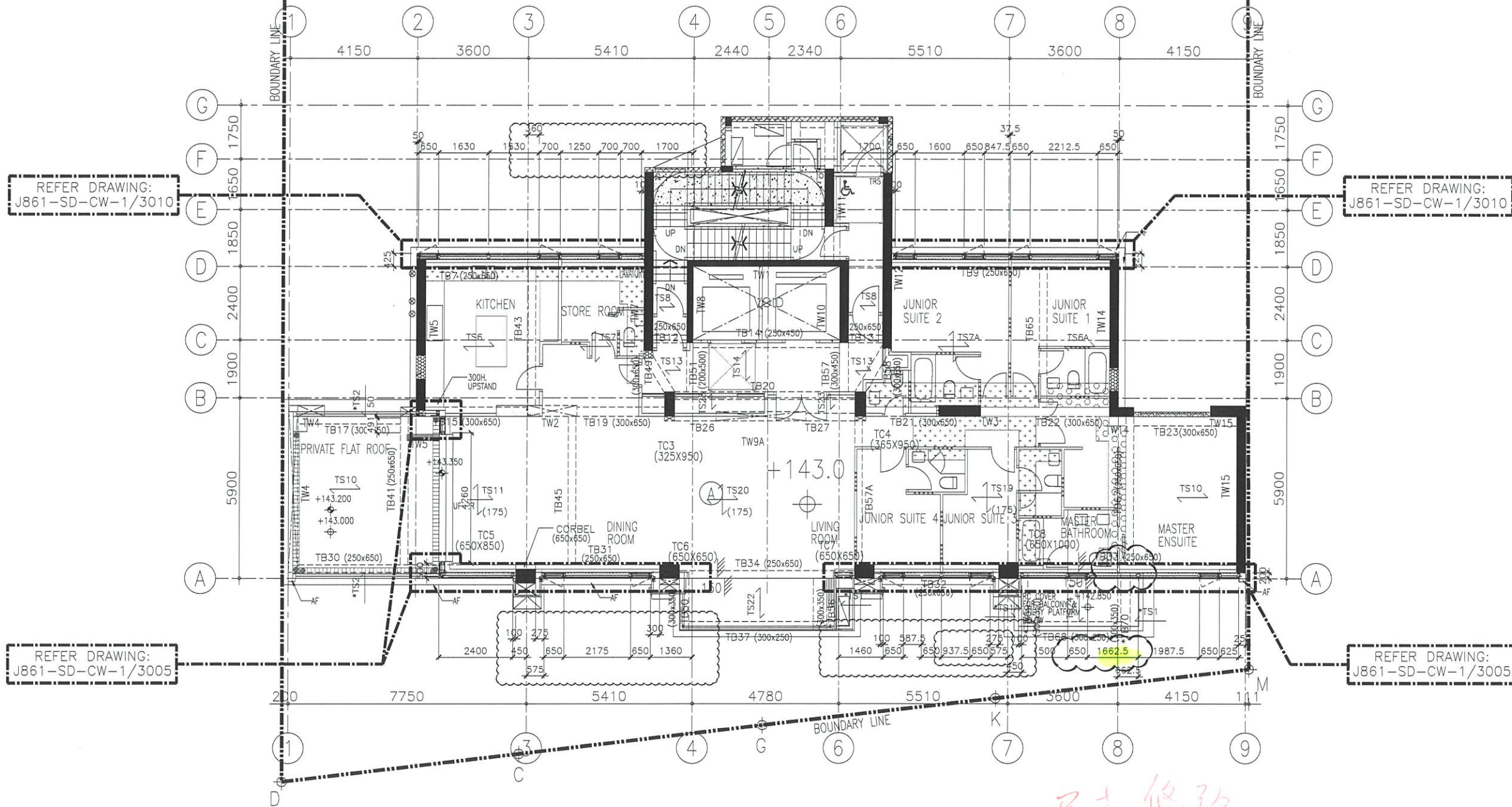
香港

<input type="checkbox"/> 行政部	<input type="checkbox"/> 連附件	<input type="checkbox"/> 會計部	<input type="checkbox"/> 連附件	<input type="checkbox"/> 統籌部	<input type="checkbox"/> 連附件	<input type="checkbox"/> 工程部	<input type="checkbox"/> 連附件
<input type="checkbox"/> 採購部	<input type="checkbox"/> 連附件	<input type="checkbox"/> QS部	<input type="checkbox"/> 連附件	<input type="checkbox"/> 地盤管理	<input type="checkbox"/> 連附件	<input type="checkbox"/> 維修部	<input type="checkbox"/> 連附件

*發件人簽署:	*組別成員批核簽署:
傳遞編號:	項目經理簽署: 

附頁1

黃色螢光筆是修改的地方



1 TOWER 31/F PLAN
- CURTAIN WALL

NOTE:
1. ALL DIMENSIONS ARE IN mm.
2. ALL ELEVATIONS ARE VIEWED FROM OUTSIDE.
3. ALL DIMENSIONS TO BE VERIFIED ON SITE BEFORE FABRICATION.

LEGEND:
X1 - DETAIL MARK NO.
X001 - REFER SHEET NO.

1. F.F.L. -- FINISHED FLOOR LEVEL
2. S.F.L. -- STRUCTURAL FLOOR LEVEL
3. /R -- REVERSED DETAIL

A	20/9/2024	GENERAL REVISED	
NO.	DATE	REVISED	BY

CLIENT:
MILLION BASE PROPERTIES LIMITED

ARCHITECT:
WONG TUNG & PARTNERS LIMITED
ARCHITECTS & PLANNERS

STRUCTURAL ENGINEER:
SYW & ASSOCIATES LTD.
CHARTERED ENGINEERS & AUTHORIZED PERSONS
邵賢偉建築工程師

MAIN CONTRACTOR:
顯利工程有限公司
HIEN LEE ENGINEERING CO., LTD.

MIDI ALUMINIUM FABRICATOR LTD.
Units 6-8, Sunray Industrial Centre, 1/F
610 Cha Kwo Ling Road, Kowloon
Tel: 23489211-4 Fax: (852) 27272666

JOB NO.: J-861

PROJECT:
PROPOSED RESIDENTIAL DEVELOPMENT AT NOS. 3-6 GLENEALY, CENTRAL, HONG KONG

TITLE:
TOWER 31/F PLAN FOR CURTAIN WALL

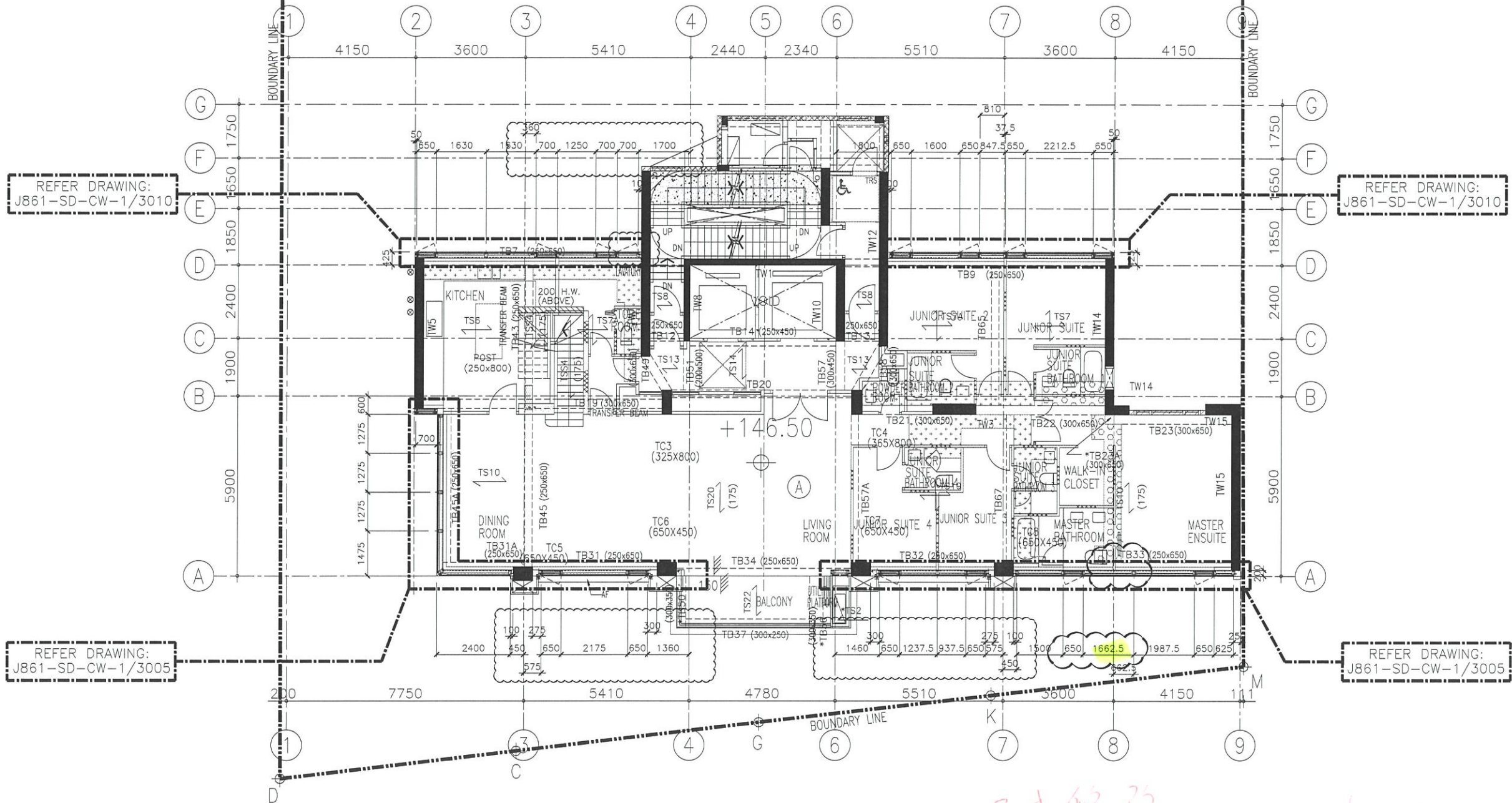
DATE: 18-Jun.-24 SCALE: 1:75 (A1)

DRAWN BY: Asing CHECKED BY:

DWG NO.: J861-SD-CW-1007 REV.: C

WONG TUNG & PARTNERS LTD.	
APPROVED	
APPROVED AS NOTED	
APPROVED AS NOTED & RESUBMIT	
RESUBMIT	
NO COMMENT	
REFER OTHER CONSULTANTS' COMMENTS	
Reviewed for compliance with the design intent. Comments made shall apply to all similar conditions & details, not just the ones cited.	
The approval shall not be construed as relieving the contractor of compliance with the contract documents & requirements.	
Reviewed By:	Date:
()	()

尺寸修改
26/12/2025 from WT



1 TOWER 32/F PLAN
CURTAIN WALL

尺寸修改
26/05/2024
from WT

NOTE:
1. ALL DIMENSIONS ARE IN mm.
2. ALL ELEVATIONS ARE VIEWED FROM OUTSIDE.
3. ALL DIMENSIONS TO BE VERIFIED ON SITE BEFORE FABRICATION.

LEGEND:
X1 - DETAIL MARK NO.
X001 - REFER SHEET NO.
1. F.F.L. -- FINISHED FLOOR LEVEL
2. S.F.L. -- STRUCTURAL FLOOR LEVEL
3. /R -- REVERSED DETAIL

A	20/9/2024	GENERAL REVISED	
NO.	DATE	REVISED	BY

CLIENT:
MILLION BASE PROPERTIES LIMITED

ARCHITECT:
WONG TUNG & PARTNERS LIMITED
ARCHITECTS & PLANNERS
WT

STRUCTURAL ENGINEER:
SYW SYW & ASSOCIATES LTD.
CHARTERED ENGINEERS & AUTHORIZED PERSONS
都賢偉建築工程師

MAIN CONTRACTOR:
顯利工程有限公司
HIEN LEE ENGINEERING CO., LTD.

美特鋁質有限公司
MIDI ALUMINIUM FABRICATOR LTD.
Units 6-8, Sunray Industrial Centre, 1/F
610 Cha Kwo Ling Road, Kowloon
Tel: 23489211-4 Fax: (852) 27727666

JOB NO.: J-861

PROJECT:
PROPOSED RESIDENTIAL
DEVELOPMENT AT NOS. 3-6
GLENEALY, CENTRAL, HONG KONG

TITLE:
TOWER 32/F PLAN
FOR CURTAIN WALL

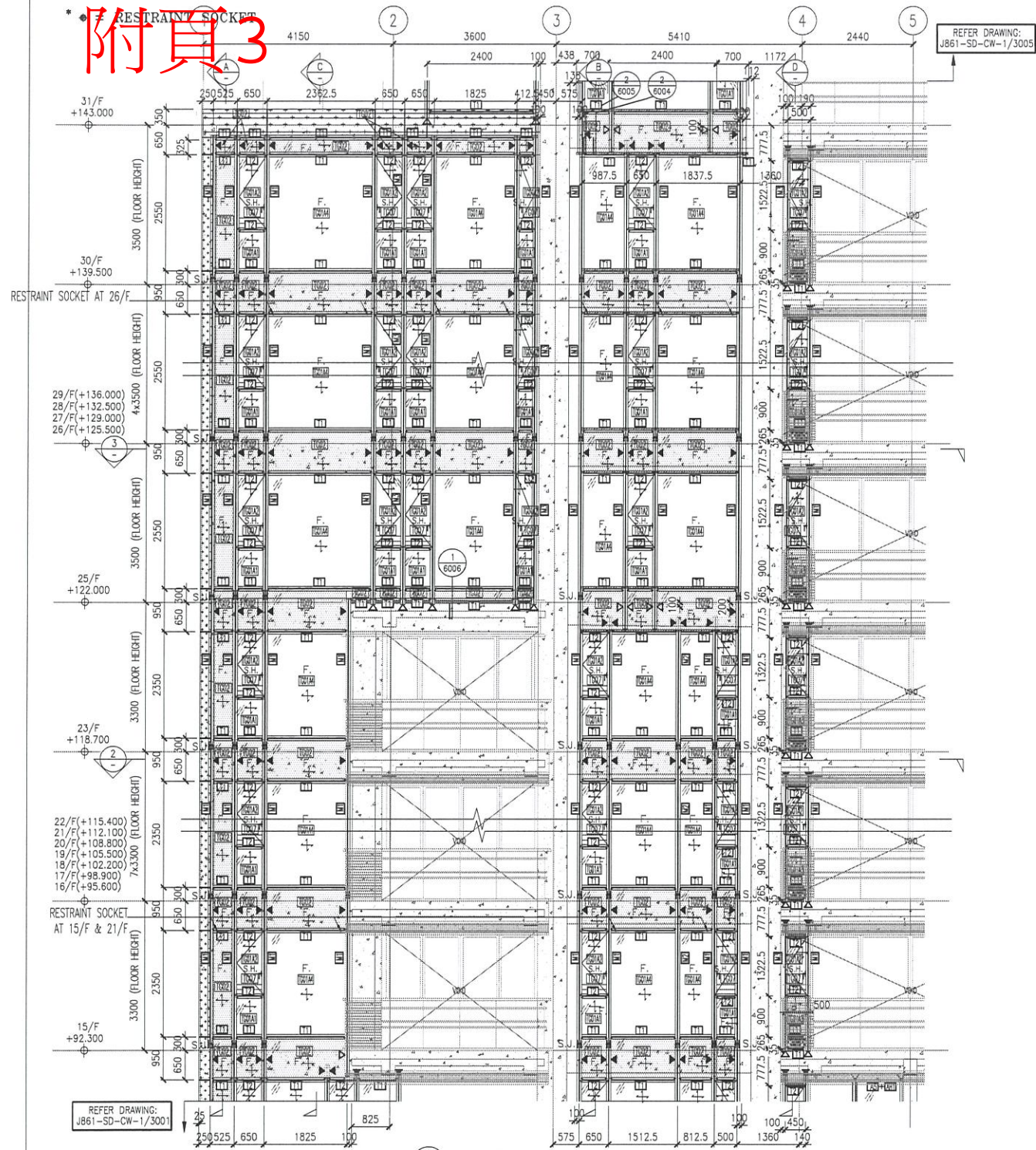
DATE: 18-Jun-24 SCALE: 1:75 (A1)

DRAWN BY: Asing CHECKED BY:

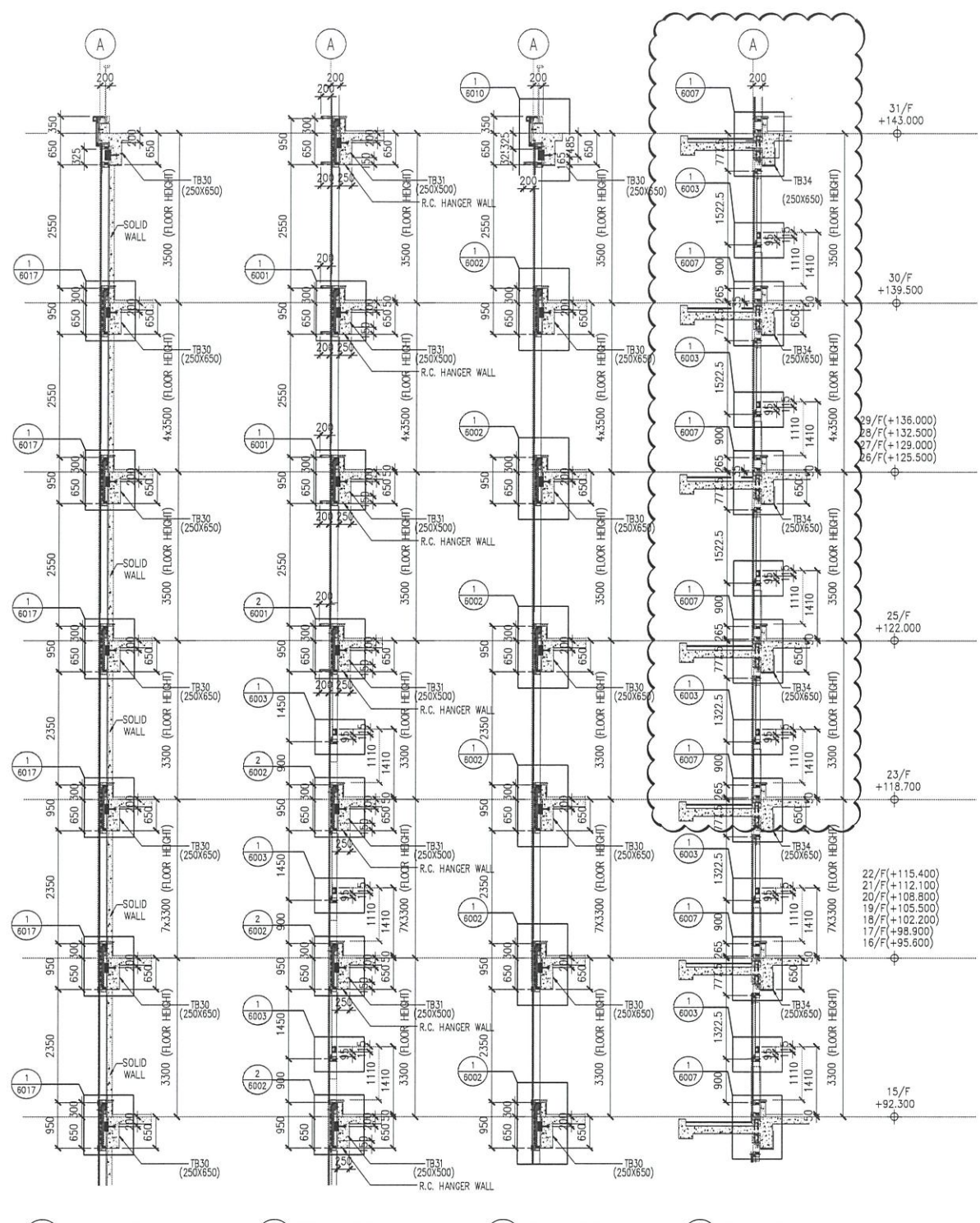
DWG NO.: J861-SD-CW-1008 REV.: A

WONG TUNG & PARTNERS LTD.	
APPROVED	
APPROVED AS NOTED	
APPROVED AS NOTED & RESUBMIT	
RESUBMIT	
NO COMMENT	
REFER OTHER CONSULTANT'S COMMENTS	
Reviewed for compliance with the design intent. Comments made shall apply to all similar conditions & details, not just the ones cited. The approval shall not be construed as relieving the contractor of compliance with the contract documents & requirements.	
Reviewed By	Date

附頁3



1 PART ELEVATION CURTAIN WALL

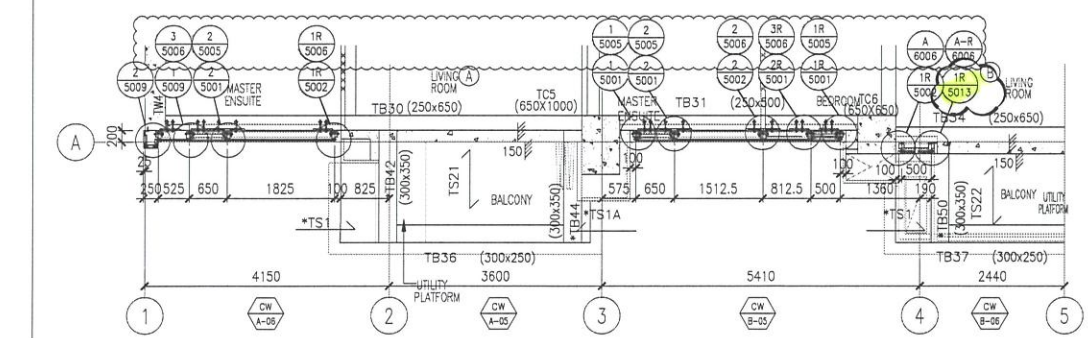


A TYPICAL SECTION CURTAIN WALL

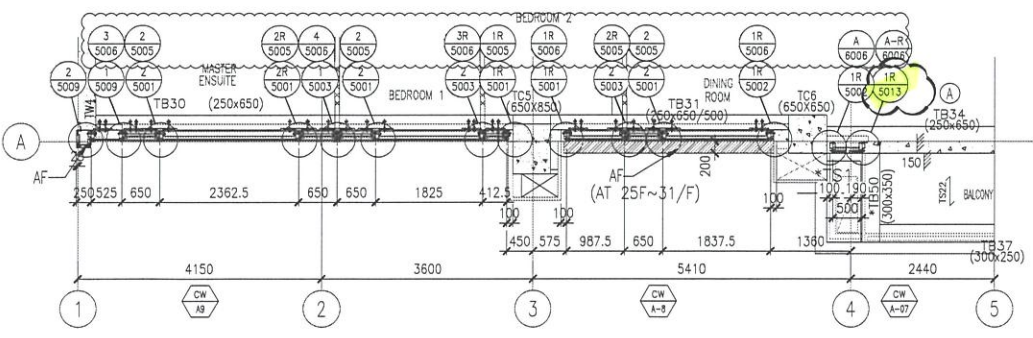
B TYPICAL SECTION CURTAIN WALL

C TYPICAL SECTION CURTAIN WALL

D TYPICAL SECTION CURTAIN WALL



2 PART PLAN CURTAIN WALL



3 PART PLAN CURTAIN WALL

- LEGEND :
- TG01A1 8mm HEAT STRENGTHENED GLASS + 12mm AIR SPACE + 10mm TEMPERED GLASS (IGU)
 - TG01A2 8mm HEAT STRENGTHENED GLASS + 12mm AIR SPACE + 8mm TEMPERED GLASS (IGU)
 - TG01A3 8mm HEAT STRENGTHENED GLASS WITH (FROSTED) AT SURFACE #3 + 12mm AIR SPACE + 10mm TEMPERED GLASS (IGU)
 - TG01A4 8mm HEAT STRENGTHENED GLASS + 12mm AIR SPACE + 12mm TEMPERED GLASS (IGU)
 - TG02 12mm HEAT STRENGTHENED GLASS W/2mm THK. ALUM. BACK PANEL
 - TG07 10mm CLEAR TEMPERED GLASS
 - FM05 3mm THK ALUM. CLADDING DARK GREY COLOUR CODE: KM3E97023C (*ALL CURTAIN WALL MULLION & TRANSOM FRAME IN DARK GREY COLOUR)
- F. - FIXED GLASS
 S.H. - SIDE HUNG OPENABLE WINDOW
 ▲ - SUPPORT POINT (WIND LOAD + DEAD LOAD)
 ◀ - SUPPORT POINT (WIND LOAD)
 S.J. - STACK JOINT REF TO J861-SD-CW-5016

NOTE :

- ALL DIMENSIONS ARE IN mm.
- ALL ELEVATIONS ARE VIEWED FROM OUTSIDE.
- ALL DIMENSIONS TO BE VERIFIED ON SITE BEFORE FABRICATION.

LEGEND :

X1 - DETAIL MARK NO.
 X001 - REFER SHEET NO.

- F.F.L. --- FINISHED FLOOR LEVEL
- S.F.L. --- STRUCTURAL FLOOR LEVEL
- (R) --- REVERSED DETAIL

B	8/11/2024	GENERAL REVISED	
A	16/9/2024	GENERAL REVISED	
NO.	DATE	REVISED	BY

CLIENT :
MILLION BASE PROPERTIES LIMITED

ARCHITECT :
WONG TUNG & PARTNERS LIMITED
 ARCHITECTS & PLANNERS

STRUCTURAL ENGINEER :
SYW & ASSOCIATES LTD.
 邵賢偉建築工程師

MAIN CONTRACTOR :
顯利工程有限公司
 HIEN LEE ENGINEERING CO., LTD.

美特鋁質有限公司
 MIDI ALUMINIUM FABRICATOR LTD.
 Units 6-8, Sunray Industrial Centre, 1/F
 610 Cha Kwo Ling Road, Kowloon
 Tel: 23489211-4 Fax: (852) 2727666

JOB NO. : J-861

PROJECT :
 PROPOSED RESIDENTIAL DEVELOPMENT AT NOS. 3-6 GLENEALY, CENTRAL, HONG KONG

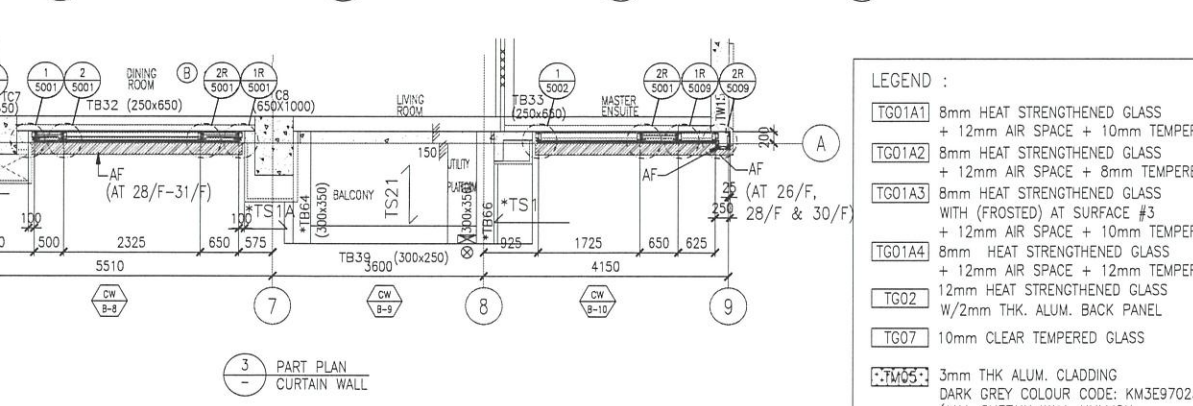
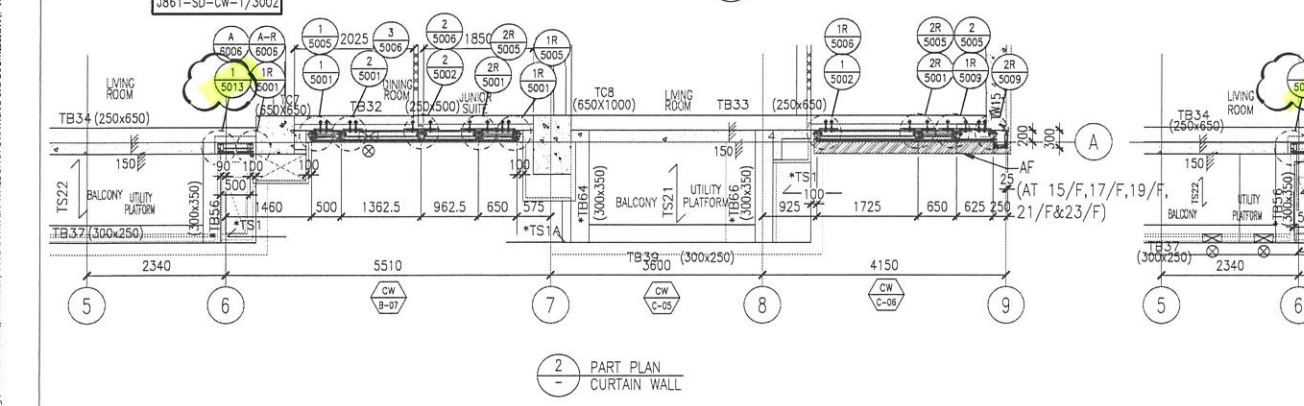
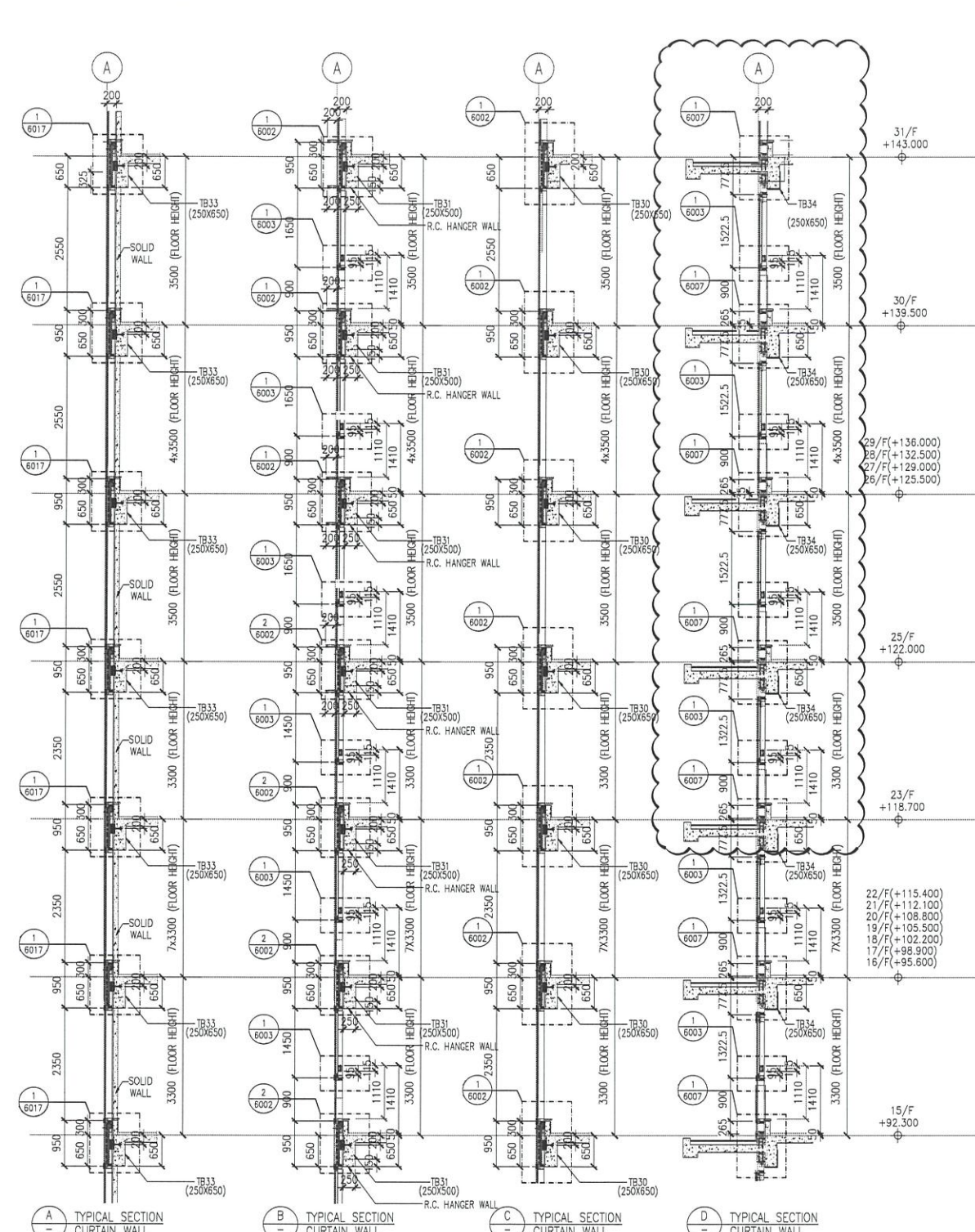
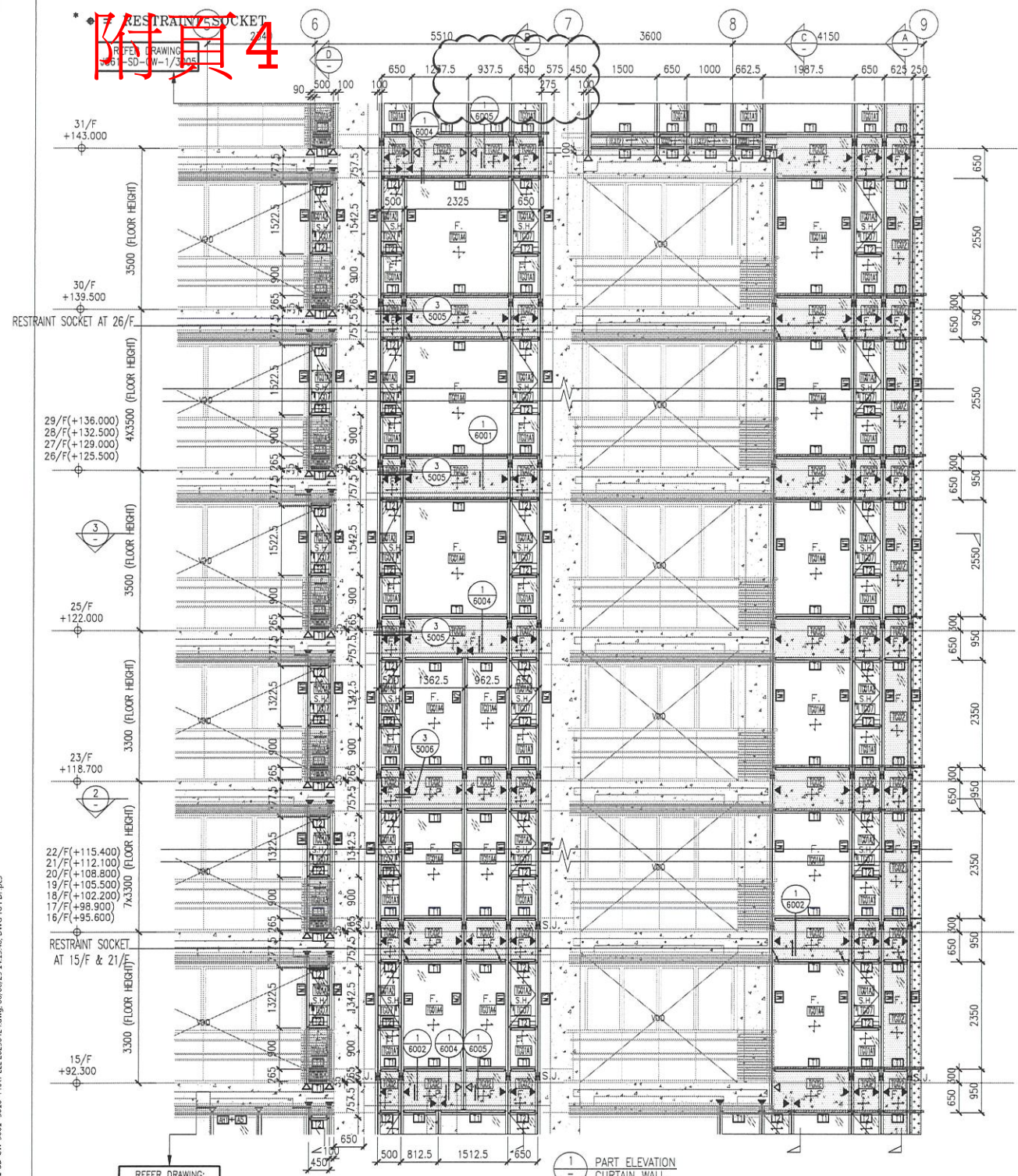
TITLE :
 PART ELEVATION FOR CURTAIN WALL

DATE : 06-Sep-24 SCALE : 1:60(A1)

DRAWN BY : Asing CHECKED BY :

DWG NO. : J861-SD-CW-3003 REV. : B

WONG TUNG & PARTNERS LTD.	
APPROVED	
APPROVED AS NOTED	
APPROVED AS NOTED & RESUBMIT	
RESUBMIT	
NO COMMENT	
REFER OTHER CONSULTANT'S COMMENTS	
Review for compliance with the design intent. Comments made shall apply to all similar conditions & details, not just the ones cited.	
The approval shall not be construed as relieving the contractor of compliance with the contract documents & requirements.	
Reviewed By	Date
()	()



NOTE:
 1. ALL DIMENSIONS ARE IN mm.
 2. ALL ELEVATIONS ARE VIEWED FROM OUTSIDE.
 3. ALL DIMENSIONS TO BE VERIFIED ON SITE BEFORE FABRICATION.

LEGEND:
 X1 - DETAIL MARK NO.
 X001 - REFER SHEET NO.

1. F.F.L. -- FINISHED FLOOR LEVEL
 2. S.F.L. -- STRUCTURAL FLOOR LEVEL
 3. (R) -- REVERSED DETAIL

B	8/11/2024	GENERAL REVISED	
A	16/9/2024	GENERAL REVISED	
NO.	DATE	REVISED	BY

CLIENT:
 MILLION BASE PROPERTIES LIMITED

ARCHITECT:
 WONG TUNG & PARTNERS LIMITED
 ARCHITECTS & PLANNERS

STRUCTURAL ENGINEER:
 SYW & ASSOCIATES LTD.
 邵賢偉建築工程師

MAIN CONTRACTOR:
 顯利工程有限公司
 HIEN LEE ENGINEERING CO., LTD.

美特鋁質有限公司
 MIDI ALUMINIUM FABRICATOR LTD.
 Units 6-8, Sunray Industrial Centre, 1/F
 610 Cha Kwo Ling Road, Kowloon
 Tel: 23489211-4 Fax: (852) 27727666

JOB NO.: J-861
 PROJECT: PROPOSED RESIDENTIAL DEVELOPMENT AT NOS. 3-6 GLENEALY, CENTRAL, HONG KONG

TITLE:
 PART ELEVATION FOR CURTAIN WALL

DATE: 06-Sep-24 SCALE: 1:60(A1)

DRAWN BY: Asing CHECKED BY:

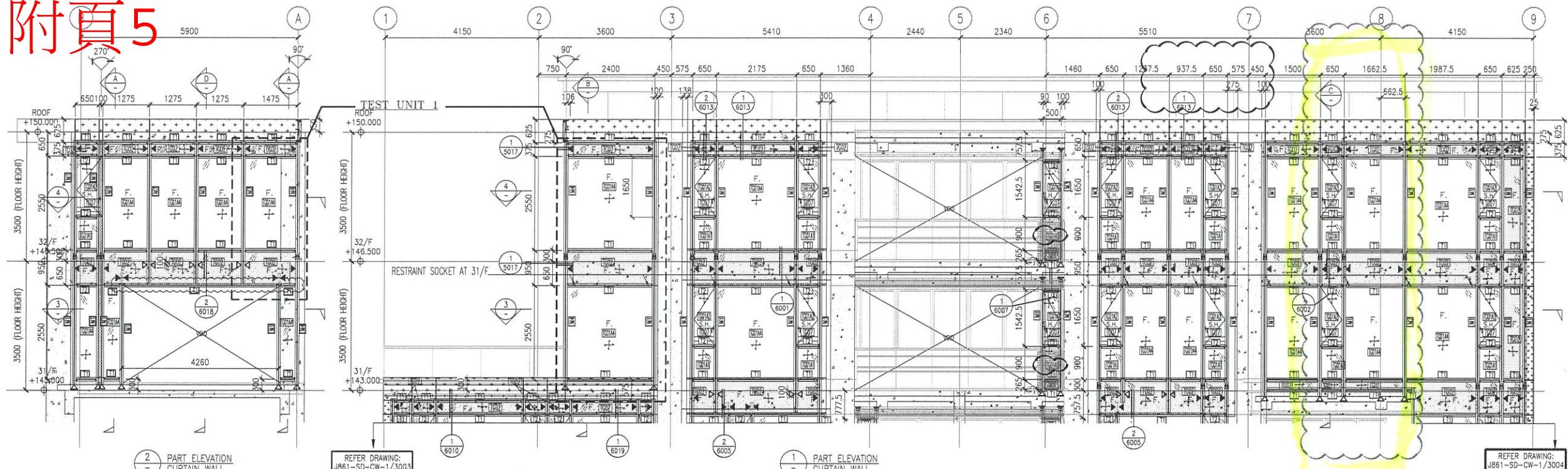
DWG NO.: J861-SD-CW-3004 REV.: C

LEGEND:

- TG01A1 8mm HEAT STRENGTHENED GLASS + 12mm AIR SPACE + 10mm TEMPERED GLASS (IGU)
- TG01A2 8mm HEAT STRENGTHENED GLASS + 12mm AIR SPACE + 8mm TEMPERED GLASS (IGU)
- TG01A3 8mm HEAT STRENGTHENED GLASS WITH (FROSTED) AT SURFACE #3 + 12mm AIR SPACE + 10mm TEMPERED GLASS (IGU)
- TG01A4 8mm HEAT STRENGTHENED GLASS + 12mm AIR SPACE + 12mm TEMPERED GLASS (IGU)
- TG02 12mm HEAT STRENGTHENED GLASS W/2mm THK. ALUM. BACK PANEL
- TG07 10mm CLEAR TEMPERED GLASS
- FM05 3mm THK ALUM. CLADDING DARK GREY COLOUR CODE: KM3E97023C (*ALL CURTAIN WALL MULLION & TRANSOM FRAME IN DARK GREY COLOUR)

F. - FIXED GLASS
 S.H. - SIDE HUNG OPENABLE WINDOW
 ▲ - SUPPORT POINT (WIND LOAD + DEAD LOAD)
 ◀ - SUPPORT POINT (WIND LOAD)
 S.J. - STACK JOINT REF TO J861-SD-CW-5016

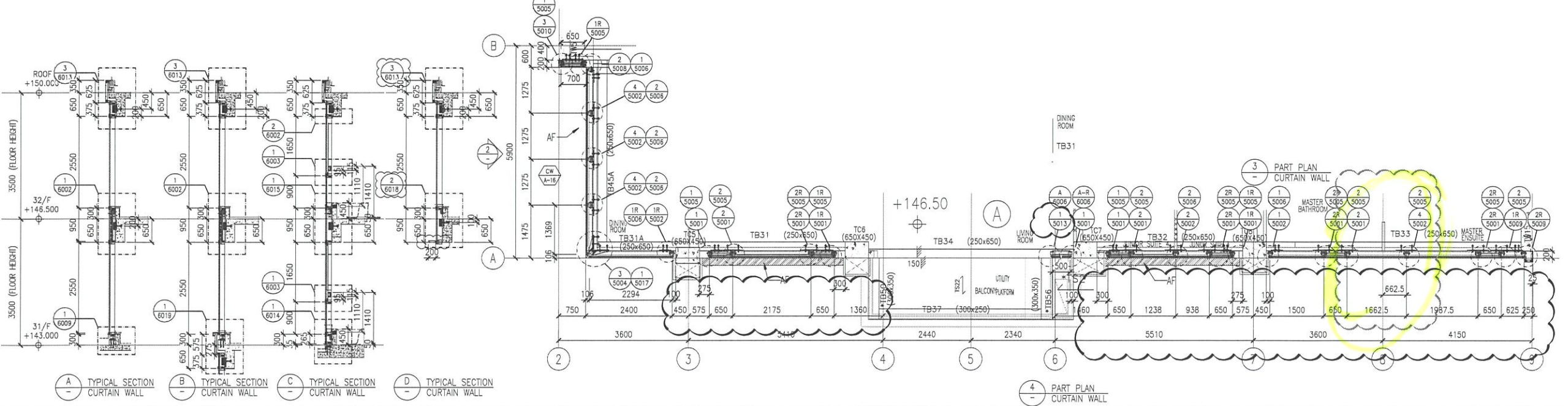
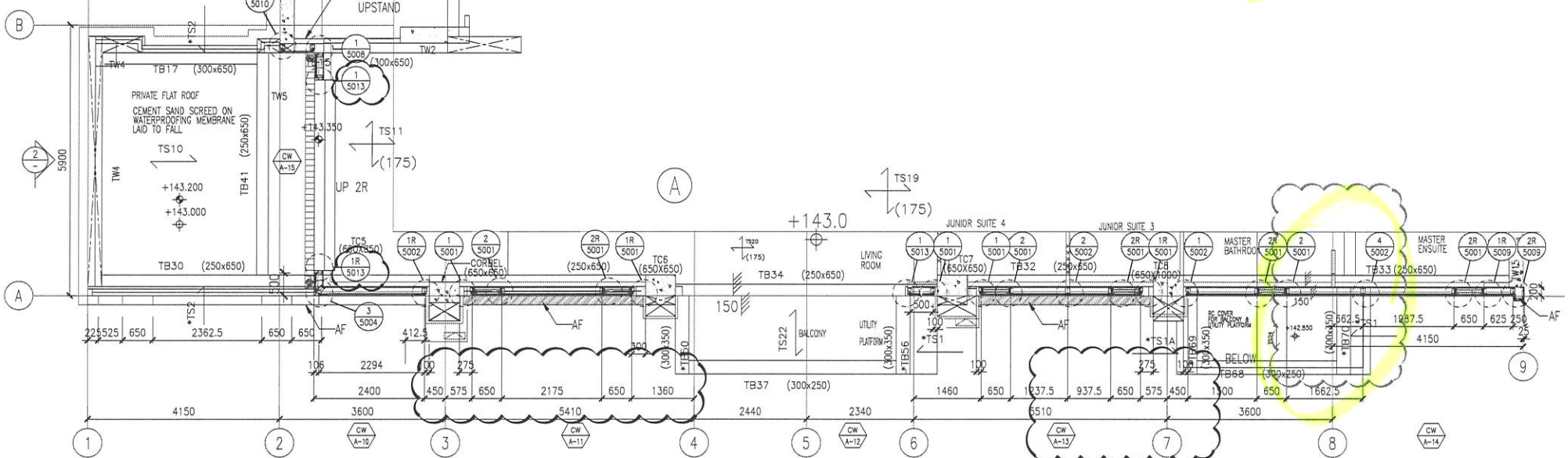
WONG TUNG & PARTNERS LTD.	
APPROVED	
APPROVED AS NOTED	
APPROVED AS NOTED & RESUBMIT	
RESUBMIT	
NO COMMENT	
REFER OTHER CONSULTANTS' COMMENTS	
Reviewed for compliance with the design intent. Comments made shall apply to all similar conditions & details, not just the ones cited. The approval shall not be construed as relieving the contractor of compliance with the contract documents & requirements.	
Reviewed By:	Date



REFER DRAWING: J861-SD-CW-1/3003

REFER DRAWING: J861-SD-CW-1/3004

- LEGEND :**
- TCG01A1 8mm HEAT STRENGTHENED GLASS + 12mm AIR SPACE + 10mm TEMPERED GLASS (IGU)
 - TCG01A2 8mm HEAT STRENGTHENED GLASS + 12mm AIR SPACE + 8mm TEMPERED GLASS (IGU)
 - TCG01A3 8mm HEAT STRENGTHENED GLASS WITH (FROSTED) AT SURFACE #3 + 12mm AIR SPACE + 10mm TEMPERED GLASS (IGU)
 - TCG01A4 8mm HEAT STRENGTHENED GLASS + 12mm AIR SPACE + 12mm TEMPERED GLASS (IGU)
 - TCG02 12mm HEAT STRENGTHENED GLASS W/2mm THK. ALUM. BACK PANEL
 - TCG07 10mm CLEAR TEMPERED GLASS
 - TM05 3mm THK ALUM. CLADDING DARK GREY COLOUR CODE: KM3E97023C (*ALL CURTAIN WALL MULLION & TRANSOM FRAME IN DARK GREY COLOUR)
- F. - FIXED GLASS
 S.H. - SIDE HUNG OPENABLE WINDOW
 - SUPPORT POINT (WIND LOAD + DEAD LOAD)
 ▲ - SUPPORT POINT (WIND LOAD)
 S.J. - STACK JOINT REF TO J861-SD-CW-5016



- NOTE :**
- ALL DIMENSIONS ARE IN mm.
 - ALL ELEVATIONS ARE VIEWED FROM OUTSIDE.
 - ALL DIMENSIONS TO BE VERIFIED ON SITE BEFORE FABRICATION.

- LEGEND :**
- X1 - DETAIL MARK NO.
 - X001 - REFER SHEET NO.
- F.F.L. --- FINISHED FLOOR LEVEL
 - S.F.L. --- STRUCTURAL FLOOR LEVEL
 - (/R) --- REVERSED DETAIL

B	8/11/2024	GENERAL REVISED	
A	16/9/2024	GENERAL REVISED	
NO.	DATE	REVISED	BY

CLIENT :
MILLION BASE PROPERTIES LIMITED

ARCHITECT :
WONG TUNG & PARTNERS LIMITED
ARCHITECTS & PLANNERS

STRUCTURAL ENGINEER :
SYW & ASSOCIATES LTD.
邵賢偉建築工程師

MAIN CONTRACTOR :
顯利工程有限公司
HIEN LEE ENGINEERING CO., LTD.

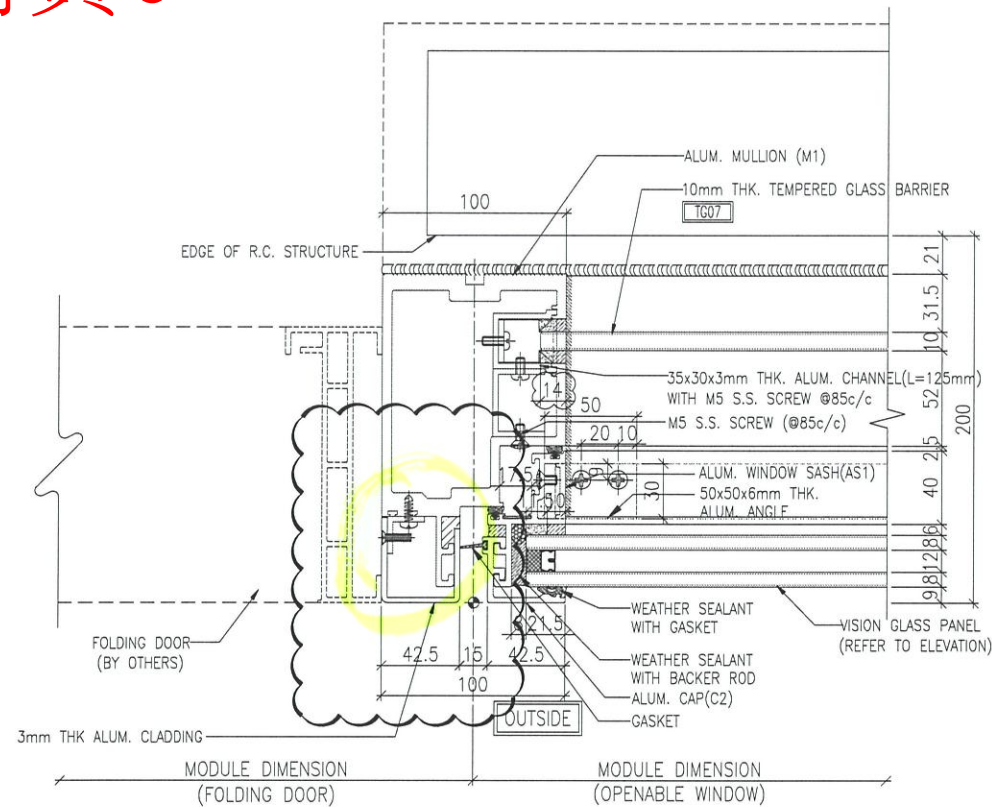
美特鋁質有限公司
MIDI ALUMINIUM FABRICATOR LTD.
Units 6-8, Sunray Industrial Centre, 1/F
610 Cha Kwo Ling Road, Kowloon
Tel: 23489211-4 Fax: (852) 2727666

JOB NO. : J-861
PROJECT : PROPOSED RESIDENTIAL DEVELOPMENT AT NOS. 3-6 GLENEALY, CENTRAL, HONG KONG

TITLE :
PART ELEVATION FOR CURTAIN WALL

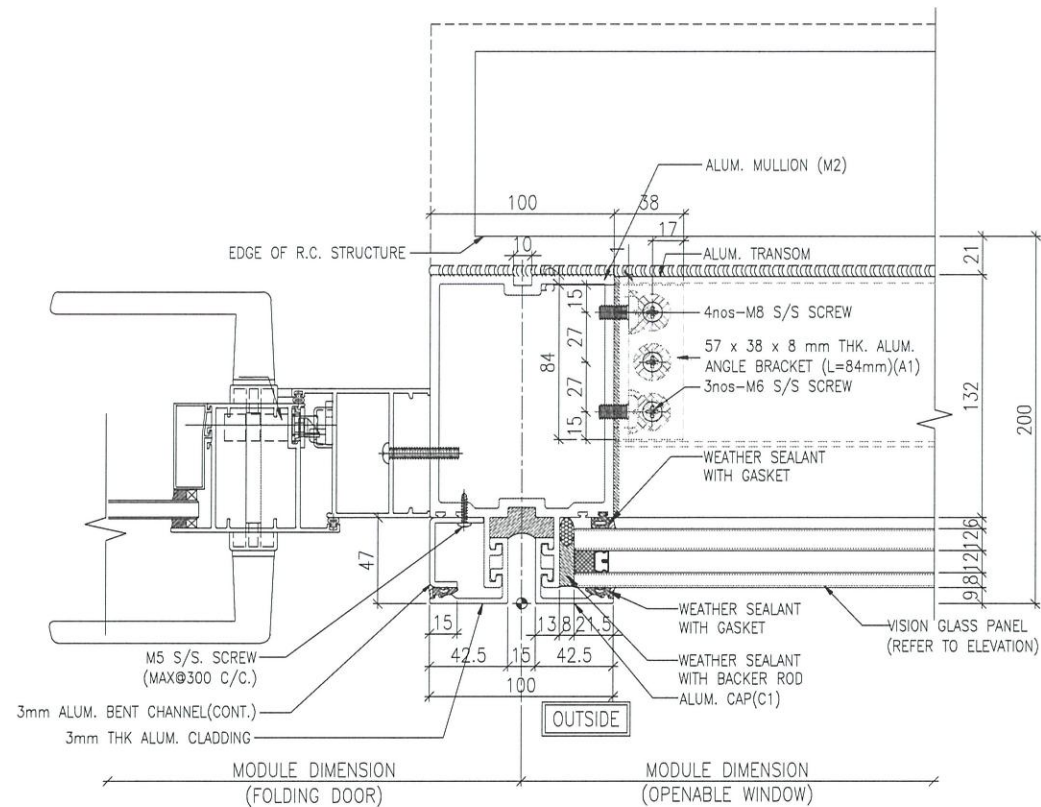
DATE : 06-Sep-24 SCALE : 1:60(A1)
DRAWN BY : Asing CHECKED BY :
DWG NO. : J861-SD-CW-3005 REV. : C

WONG TUNG & PARTNERS LTD.	
APPROVED	
APPROVED AS NOTED	
APPROVED AS NOTED & RESUBMIT	
RESUBMIT	
NO COMMENT	
REFER OTHER CONSULTANT'S COMMENTS	
Reviewed for compliance with the design intent. Comments made shall apply to all similar conditions & details, not just the ones cited.	
The approval shall not be construed as relieving the contractor of compliance with the contract documents & requirements.	
Reviewed By	Date

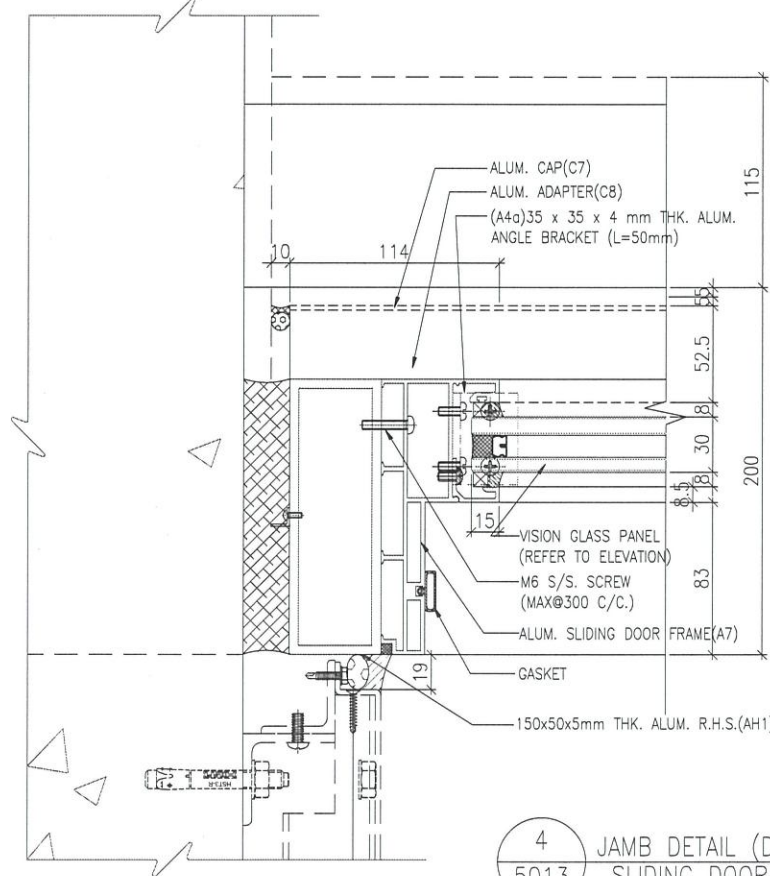


1 TYPICAL MULLION DETAIL
5013 CURTAIN WALL

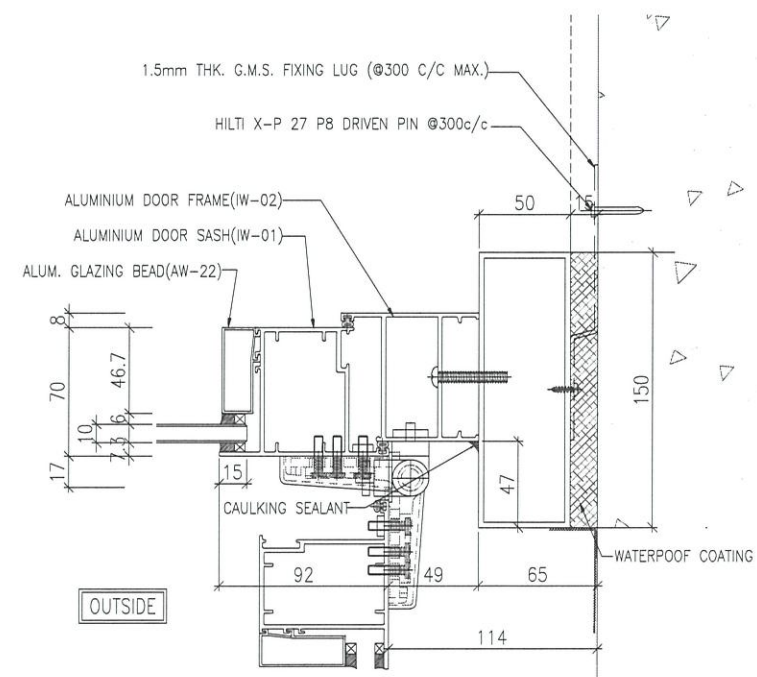
修改
CAPING



2 TYPICAL MULLION DETAIL
5013 CURTAIN WALL



4 JAMB DETAIL (DOOR SASH)
5013 SLIDING DOOR



3 TYPICAL MULLION DETAIL
5013 CURTAIN WALL
70 SECTION FRENCH DOOR

- NOTE :
1. ALL DIMENSIONS ARE IN mm.
 2. ALL ELEVATIONS ARE VIEWED FROM OUTSIDE.
 3. ALL DIMENSIONS TO BE VERIFIED ON SITE BEFORE FABRICATION.

- LEGEND :
- X1 - DETAIL MARK NO.
 - X001 - REFER SHEET NO.

1. F.F.L. -- FINISHED FLOOR LEVEL
2. S.F.L. -- STRUCTURAL FLOOR LEVEL
3. (R) -- REVERSED DETAIL

B	18/10/2024	GENERAL REVISED	
A	20/9/2024	GENERAL REVISED	
NO.	DATE	REVISED	BY

CLIENT :
MILLION BASE PROPERTIES LIMITED

ARCHITECT :
WONG TUNG & PARTNERS LIMITED
ARCHITECTS & PLANNERS

STRUCTURAL ENGINEER :
SYW & ASSOCIATES LTD.
STRUCTURAL ENGINEERS & AUTHORIZED PERSONS
邵賢偉建築工程師

MAIN CONTRACTOR :
HIEN LEE ENGINEERING CO., LTD.

MIDI ALUMINIUM FABRICATOR LTD.
Units 6-8, Sunray Industrial Centre, 1/F
610 Cha Kwo Ling Road, Kowloon
Tel:23489211-4 Fax:(852)2727666

JOB NO. : J-861
PROJECT : PROPOSED RESIDENTIAL DEVELOPMENT AT NOS. 3-6 GLENEALY, CENTRAL, HONG KONG

TITLE :
TYPICAL MULLION DETAIL FOR CURTAIN WALL

DATE : 18-Jun-24 SCALE : 1:2 (A1)

DRAWN BY : Asing CHECKED BY :

DWG NO. : J861-SD-CW-5013 REV. : B

WONG TUNG & PARTNERS LTD.	
APPROVED	
APPROVED AS NOTED	
APPROVED AS NOTED & RESUBMIT	
RESUBMIT	
NO COMMENT	
REFER OTHER CONSULTANT'S COMMENTS	
Reviewed for compliance with the design intent. Comments made shall apply to all similar conditions & details, not just the ones cited. The approval shall not be construed as relieving the contractor for compliance with the contract documents & requirements.	
Reviewed By	Date

