



工程指示 / 要求簡箋 ENGINEER INSTRUCTIONS(E.I.)

工程指示編號:	EI- 8934	修改版本:	A
	HK- 0443		
工程編號:	J 861	工程名稱:	己連拿利
收件人:	生統/技術部	發件人:	細佬
工程項目:	幕牆	日期:	20/05/2025

<input type="checkbox"/> 原合約工程包	<input type="checkbox"/> 原合約工程加 / 減賬 QT-	<input type="checkbox"/> 新工程報價 QT-
---------------------------------	--	------------------------------------

信件批核號碼/圖紙參考編號:	批核模具圖紙編號:
客戶指示附件:	管理內部批簽署:

<input type="checkbox"/> 初步鋁料 B.M.	<input type="checkbox"/> 加工拆圖, 然後生產	<input type="checkbox"/> 尺寸表
<input type="checkbox"/> 正式鋁料 B.M.	<input type="checkbox"/> 技術上資料/指示	<input type="checkbox"/> 報價
<input type="checkbox"/> 配件 B.M.	<input type="checkbox"/> 樣辦或貨品說明書	<input type="checkbox"/> 分判合約
<input type="checkbox"/> 其他:		

內容: 給技術部: 看附頁補充資料給技術部(圖號: J861-SD-CW-6024)和 百業尺寸有改(看A-A) 部份位置改用J851-JT05膠條(看B-B) CAD文件在以下位置 J:\midi_sharepoint\Public\to_china\謝永林\J861\EI8934A_HK0443_CAD
完成上列要求日期: 15/05/2025

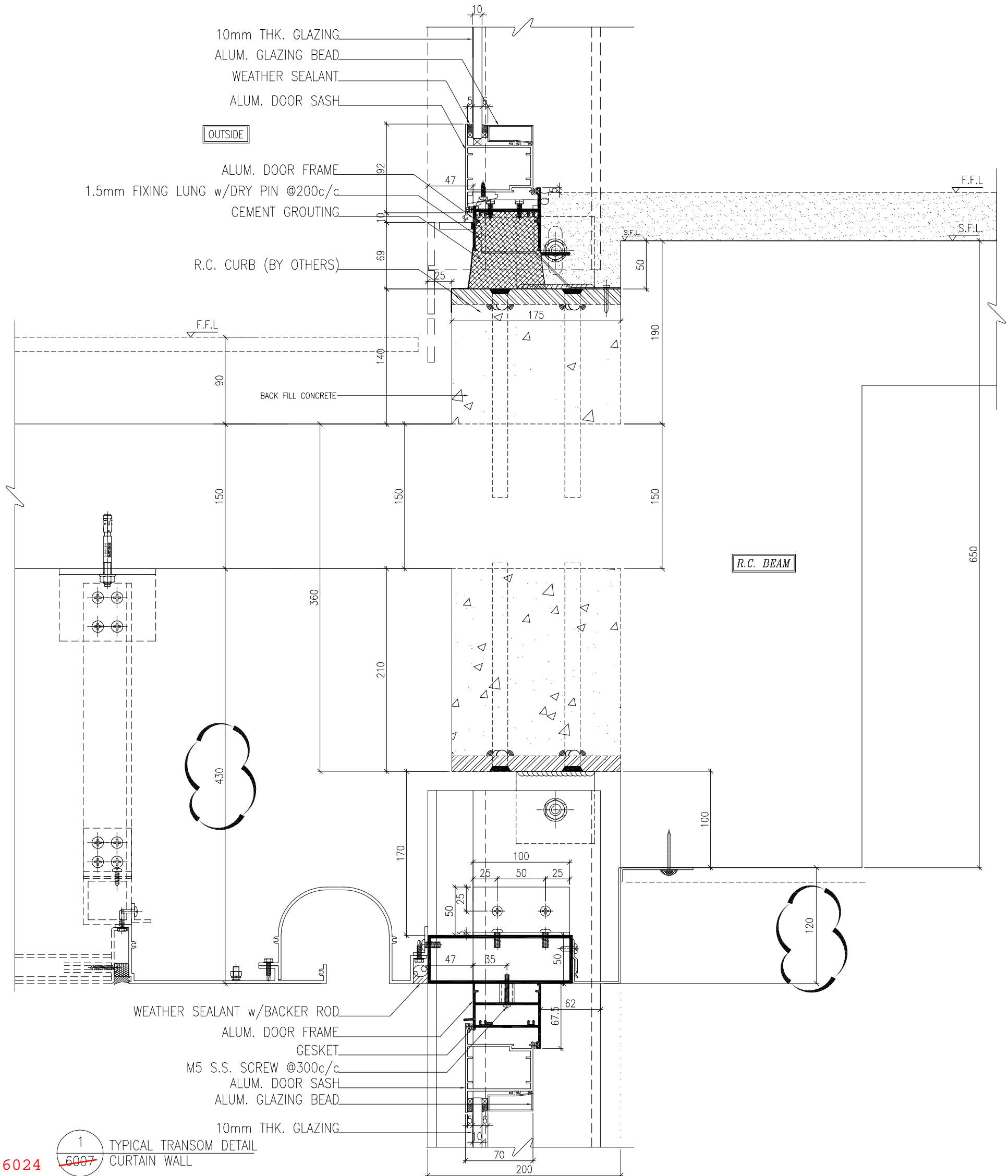
國內

<input type="checkbox"/> 生產技術總監	<input type="checkbox"/> 連附件	<input checked="" type="checkbox"/> 技術部	<input checked="" type="checkbox"/> 連附件	<input type="checkbox"/> 生產部	<input type="checkbox"/> 連附件
<input type="checkbox"/> 採購部	<input type="checkbox"/> 連附件	<input checked="" type="checkbox"/> 生產統籌部	<input type="checkbox"/> 連附件	<input type="checkbox"/> 報關組	<input type="checkbox"/> 連附件
<input type="checkbox"/> 質檢部	<input type="checkbox"/> 連附件	<input type="checkbox"/> 會計部	<input type="checkbox"/> 連附件	<input type="checkbox"/> 機械設計部	<input type="checkbox"/> 連附件
<input type="checkbox"/> 香港辦	<input type="checkbox"/> 連附件	<input type="checkbox"/> 其他:			

香港

<input type="checkbox"/> 行政部	<input type="checkbox"/> 連附件	<input type="checkbox"/> 會計部	<input type="checkbox"/> 連附件	<input type="checkbox"/> 統籌部	<input type="checkbox"/> 連附件	<input type="checkbox"/> 工程部	<input type="checkbox"/> 連附件
<input type="checkbox"/> 採購部	<input type="checkbox"/> 連附件	<input type="checkbox"/> QS部	<input type="checkbox"/> 連附件	<input type="checkbox"/> 地盤管理	<input type="checkbox"/> 連附件	<input type="checkbox"/> 維修部	<input type="checkbox"/> 連附件

*發件人簽署:	*組別成員批核簽署:
傳遞編號:	項目經理簽署: 



1 TYPICAL TRANSOM DETAIL
CURTAIN WALL

6024 ~~6007~~

- NOTE:
1. ALL DIMENSIONS ARE IN mm.
 2. ALL ELEVATIONS ARE VIEWED FROM OUTSIDE.
 3. ALL DIMENSIONS TO BE VERIFIED ON SITE BEFORE FABRICATION.
- LEGEND:
- (X1) DETAIL MARK NO.
 - (X009) REFER SHEET NO.
1. F.F.L. -- FINISHED FLOOR LEVEL
 2. S.F.L. -- STRUCTURAL FLOOR LEVEL
 3. (R) -- REVERSED DETAIL

NO.	DATE	REVISED	BY
B	18/10/2024	GENERAL REVISED	
A	20/9/2024	GENERAL REVISED	

CLIENT : MILLION BASE PROPERTIES LIMITED

ARCHITECT : WONG TUNG & PARTNERS LIMITED
ARCHITECTS & PLANNERS

STRUCTURAL ENGINEER : SYW & ASSOCIATES LTD.
SYW 郭寶榮建築師有限公司

MAIN CONTRACTOR :

顯利工程有限公司
HEN LEE ENGINEERING CO., LTD.

美特鋁業有限公司
MIDI ALUMINIUM FABRICATOR LTD.
Units 6-8, Sunny Industrial Centre, 1/F
610 Ono Kwong Road, Kowloon
Tel: 23489211-4 Fax: (852) 27277666

JOB NO. : J-861

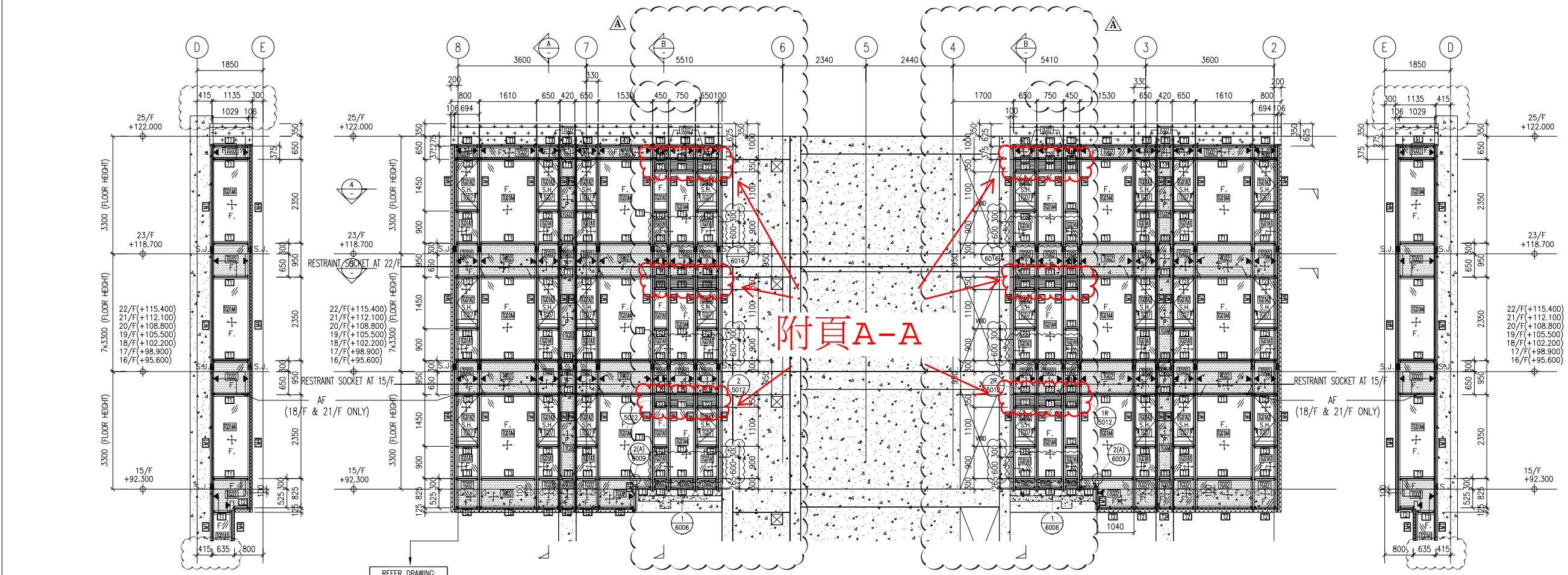
PROJECT : PROPOSED RESIDENTIAL DEVELOPMENT AT NOS. 3-6 GLENEALY, CENTRAL, HONG KONG

TITLE : TYPICAL TRANSOM DETAIL FOR CURTAIN WALL

DATE : 18-Jun-24	SCALE : 1:2 (A1)
DRAWN BY : Asing	CHECKED BY :
DWG NO. : J861-SD-CW-6024	REV. : -

WONG TUNG & PARTNERS LTD.	
APPROVED	APPROVED AS NOTED
APPROVED AS NOTED	APPROVED AS NOTED & RESUBMIT
RESUBMIT	NO COMMENT
REFER OTHER CONSULTANTS COMMENTS	
Make final study on all minor conditions & submit the contractor for compliance with the contract documents & regulations.	
Reviewed By	Date
()	()

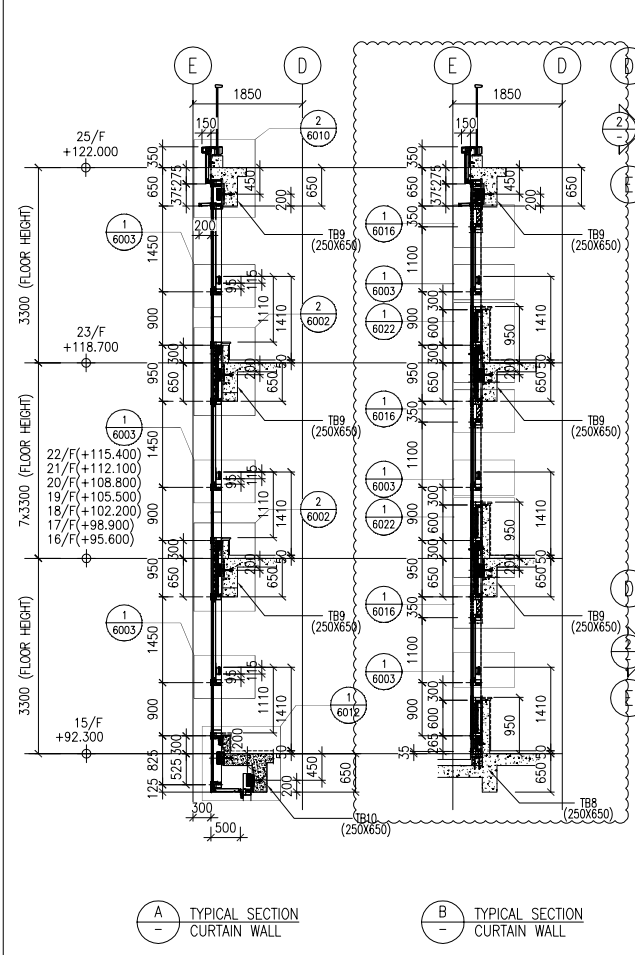
◆ = RESTRAINT SOCKET



2 - PART ELEVATION CURTAIN WALL

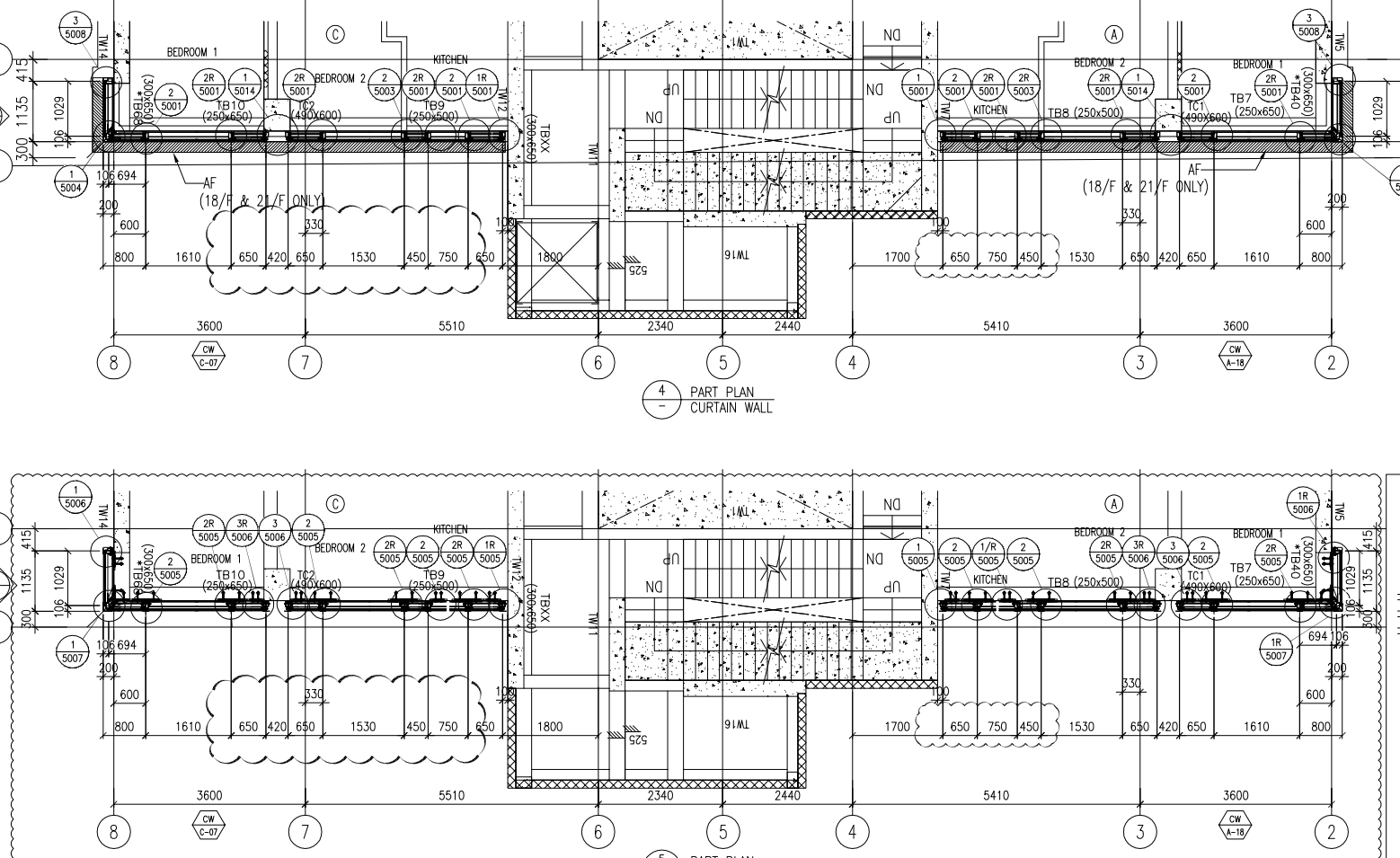
1 - PART ELEVATION CURTAIN WALL

3 - PART ELEVATION CURTAIN WALL



A - TYPICAL SECTION CURTAIN WALL

B - TYPICAL SECTION CURTAIN WALL



4 - PART PLAN CURTAIN WALL

5 - PART PLAN CURTAIN WALL

NOTE :
 1. ALL DIMENSIONS ARE IN mm.
 2. ALL ELEVATIONS ARE VIEWED FROM OUTSIDE.
 3. ALL DIMENSIONS TO BE VERIFIED ON SITE BEFORE FABRICATION.

LEGEND :
 X1 - DETAIL MARK NO.
 X001 - REFER SHEET NO.

1. F.F.L. -- FINISHED FLOOR LEVEL
 2. S.F.L. -- STRUCTURAL FLOOR LEVEL
 3. (R) -- REVERSED DETAIL

B	8/11/2024	GENERAL REVISED	
A	16/9/2024	GENERAL REVISED	
NO.	DATE	REVISED	BY

CLIENT :
MILLION BASE PROPERTIES LIMITED

ARCHITECT :
WONG TUNG & PARTNERS LIMITED
 ARCHITECTS & PLANNERS

STRUCTURAL ENGINEER :
SYW & ASSOCIATES LTD.
 邵賢偉建築工程師

MAIN CONTRACTOR :
顯利工程有限公司
 HIEN LEE ENGINEERING CO., LTD.

美特鋁質有限公司
MIDI ALUMINIUM FABRICATOR LTD.
 Units 6-8, Sunray Industrial Centre, 1/F
 610 Cha Kwo Ling Road, Kowloon
 Tel:23489211-4 Fax:(852)2727666

JOB NO. : J-861

PROJECT :
 PROPOSED RESIDENTIAL
 DEVELOPMENT AT NOS. 3-6
 GLENEALY, CENTRAL, HONG KONG

TITLE :
 PART ELEVATION
 FOR CURTAIN WALL

DATE : 06-Sep.-24 SCALE : 1:60(A1)

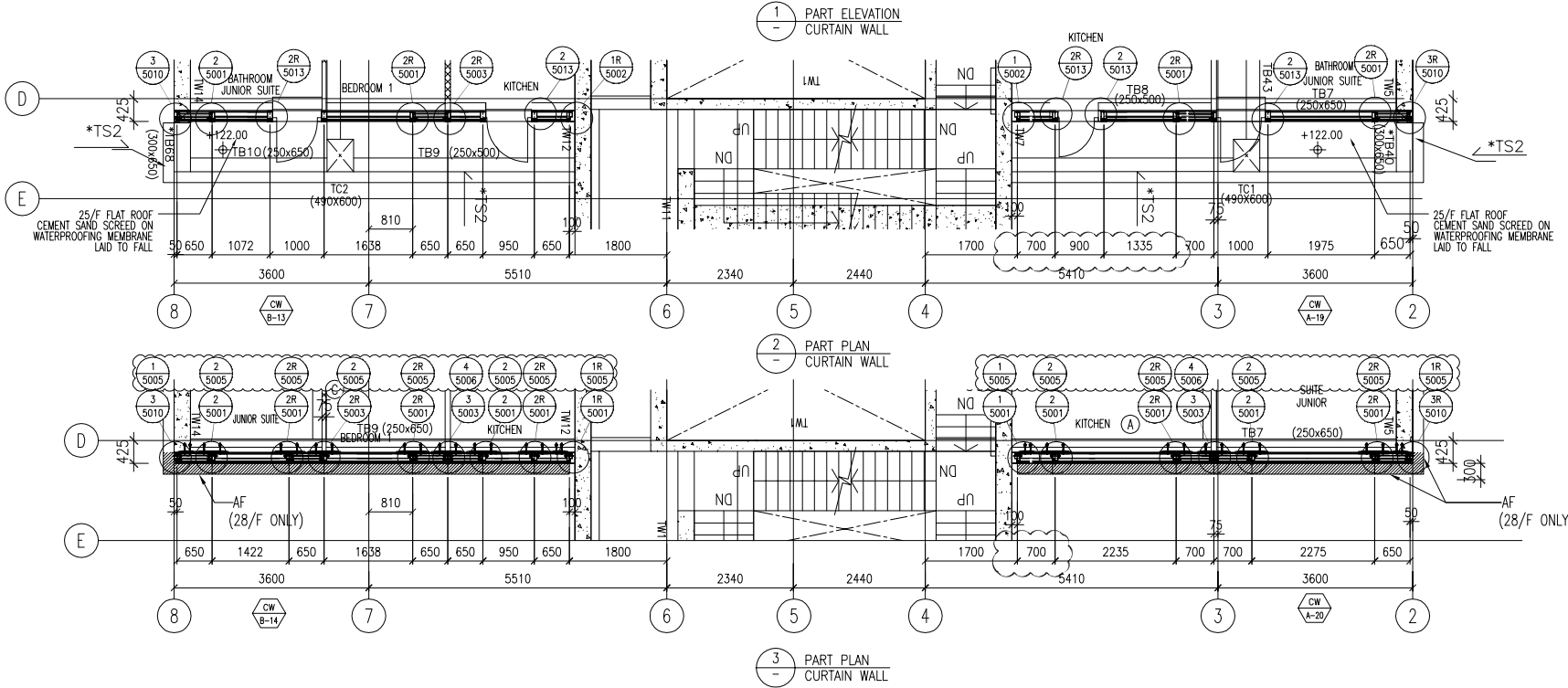
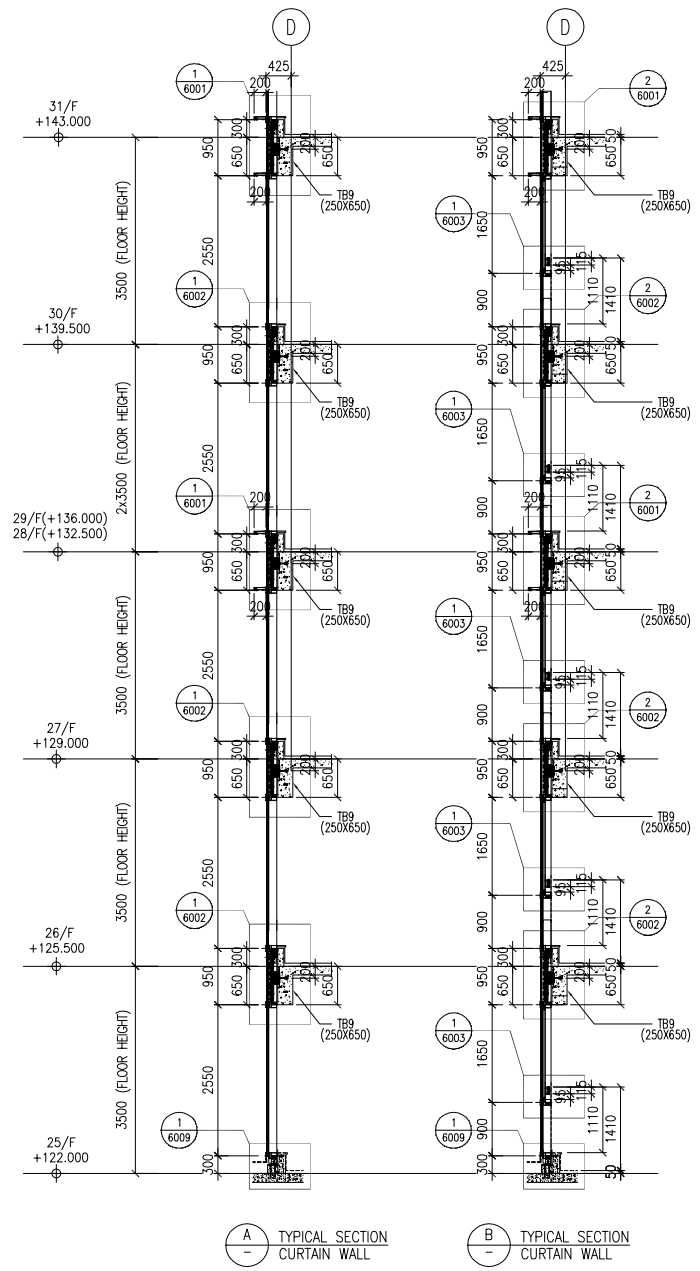
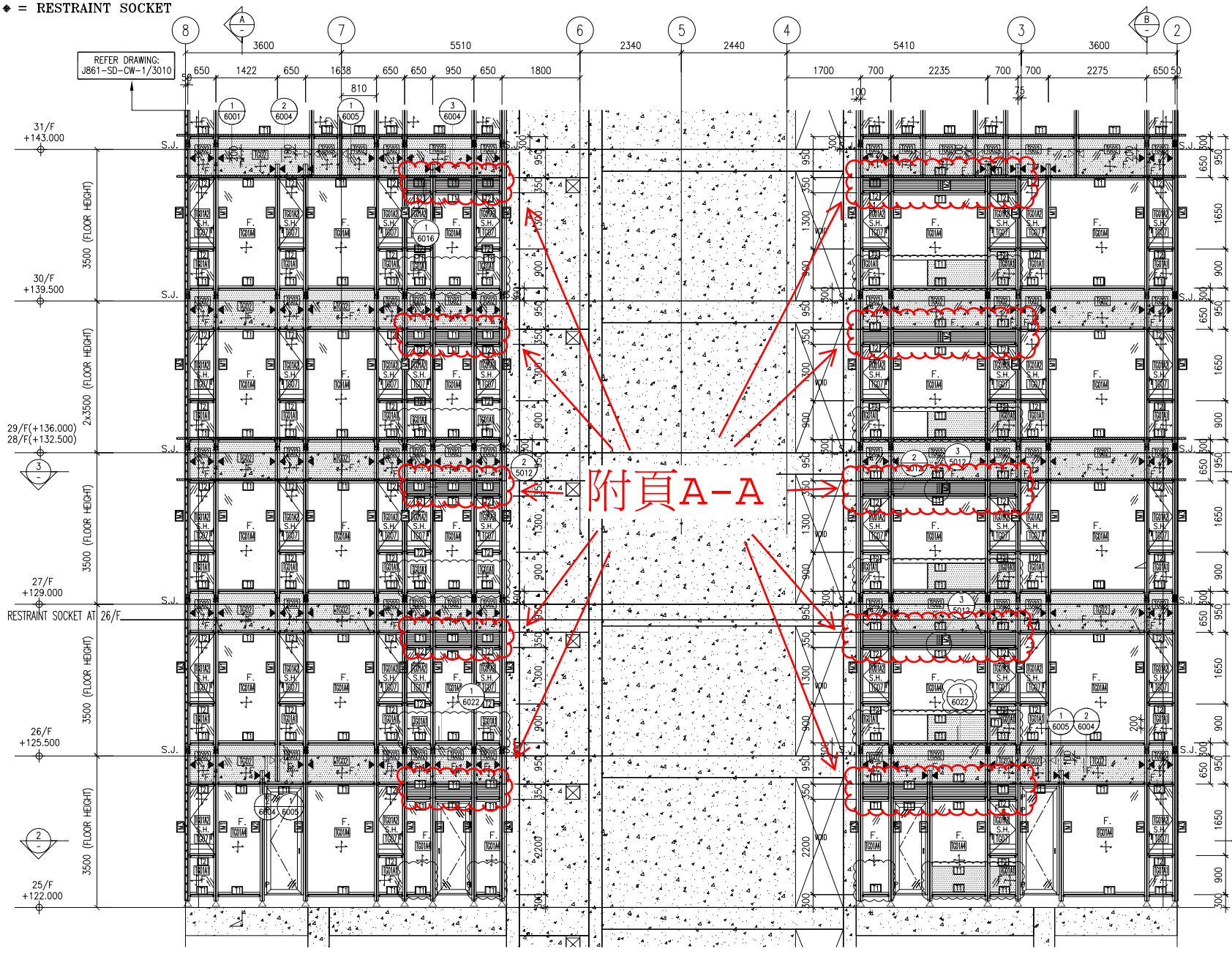
DRAWN BY : Asing CHECKED BY :

DWG NO. : J861-SD-CW-3008 REV. : B

- LEGEND :
- 1. TG01A1 8mm HEAT STRENGTHENED GLASS + 12mm AIR SPACE + 10mm TEMPERED GLASS (IGU)
 - 2. TG01A2 8mm HEAT STRENGTHENED GLASS + 12mm AIR SPACE + 8mm TEMPERED GLASS (IGU)
 - 3. TG01A3 8mm HEAT STRENGTHENED GLASS WITH (FROSTED) AT SURFACE #3 + 12mm AIR SPACE + 10mm TEMPERED GLASS (IGU)
 - 4. TG01A4 8mm HEAT STRENGTHENED GLASS + 12mm AIR SPACE + 12mm TEMPERED GLASS (IGU)
 - 5. TG02 12mm HEAT STRENGTHENED GLASS W/2mm THK. ALUM. BACK PANEL
 - 6. TG07 10mm CLEAR TEMPERED GLASS
 - 7. TM05 3mm THK ALUM. CLADDING DARK GREY COLOUR CODE: KM3E97023C (*ALL CURTAIN WALL MULLION & TRANSOM FRAME IN DARK GREY COLOUR)
- F. - FIXED GLASS
 S.H. - SIDE HUNG OPENABLE WINDOW
 ◀ - SUPPORT POINT (WIND LOAD + DEAD LOAD)
 ◁ - SUPPORT POINT (WIND LOAD)
 S.J. - STACK JOINT REF TO J861-SD-CW-5016

WONG TUNG & PARTNERS LTD.	
APPROVED	
APPROVED AS NOTED	
APPROVED AS NOTED & RESUBMIT	
RESUBMIT	
NO COMMENT	
REFER OTHER CONSULTANT'S COMMENTS	
Reviewed for compliance with the design intent. Comments made shall apply to all similar conditions & details, not just the ones cited. The approval shall not be construed as relieving the contractor for compliance with the contract documents & requirements.	
Reviewed By	Date

◆ = RESTRAINT SOCKET



NOTE:
 1. ALL DIMENSIONS ARE IN mm.
 2. ALL ELEVATIONS ARE VIEWED FROM OUTSIDE.
 3. ALL DIMENSIONS TO BE VERIFIED ON SITE BEFORE FABRICATION.

LEGEND:
 (X1) --- DETAIL MARK NO.
 (X001) --- REFER SHEET NO.

1. F.F.L. --- FINISHED FLOOR LEVEL
 2. S.F.L. --- STRUCTURAL FLOOR LEVEL
 3. (R) --- REVERSED DETAIL

B	8/11/2024	GENERAL REVISED	
A	16/9/2024	GENERAL REVISED	
NO.	DATE	REVISED	BY

CLIENT :
MILLION BASE PROPERTIES LIMITED

ARCHITECT :
WONG TUNG & PARTNERS LIMITED
 ARCHITECTS & PLANNERS

STRUCTURAL ENGINEER :
SYW & ASSOCIATES LTD.
 邵賢偉建築工程師

MAIN CONTRACTOR :
顯利工程有限公司
HIEEN LEE ENGINEERING CO., LTD.

美特鋁質有限公司
MIDI ALUMINIUM FABRICATOR LTD.
 Units 6-8, Sunray Industrial Centre, 1/F
 610 Cha Kwo Ling Road, Kowloon
 Tel:23489211-4 Fax:(852)2727666

JOB NO. : J-861

PROJECT :
 PROPOSED RESIDENTIAL
 DEVELOPMENT AT NOS. 3-6
 GLENEALY, CENTRAL, HONG KONG

TITLE :
 PART ELEVATION
 FOR CURTAIN WALL

DATE : 06-Sep.-24 SCALE : 1:60(A1)

DRAWN BY : Asing CHECKED BY :

DWG NO. : J861-SD-CW-3009 REV. : B

LEGEND :

TG01A1 8mm HEAT STRENGTHENED GLASS
 + 12mm AIR SPACE + 10mm TEMPERED GLASS (IGU)

TG01A2 8mm HEAT STRENGTHENED GLASS
 + 12mm AIR SPACE + 8mm TEMPERED GLASS (IGU)

TG01A3 8mm HEAT STRENGTHENED GLASS
 WITH (FROSTED) AT SURFACE #3
 + 12mm AIR SPACE + 10mm TEMPERED GLASS (IGU)

TG01A4 8mm HEAT STRENGTHENED GLASS
 + 12mm AIR SPACE + 12mm TEMPERED GLASS (IGU)

TG02 12mm HEAT STRENGTHENED GLASS
 W/2mm THK. ALUM. BACK PANEL

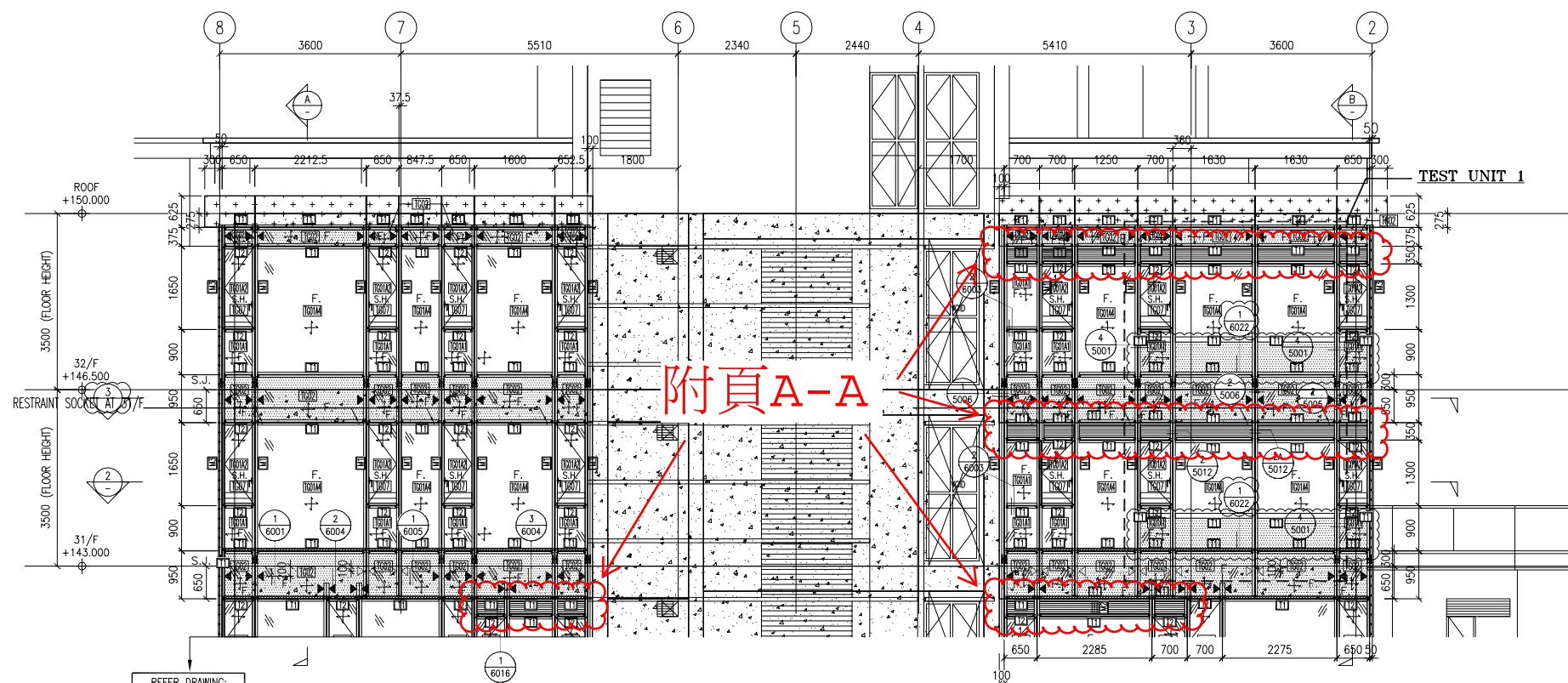
TG07 10mm CLEAR TEMPERED GLASS

TW05 3mm THK ALUM. CLADDING
 DARK GREY COLOUR CODE: KM3E97023C
 (*ALL CURTAIN WALL MULLION
 & TRANSOM FRAME IN DARK GREY COLOUR)

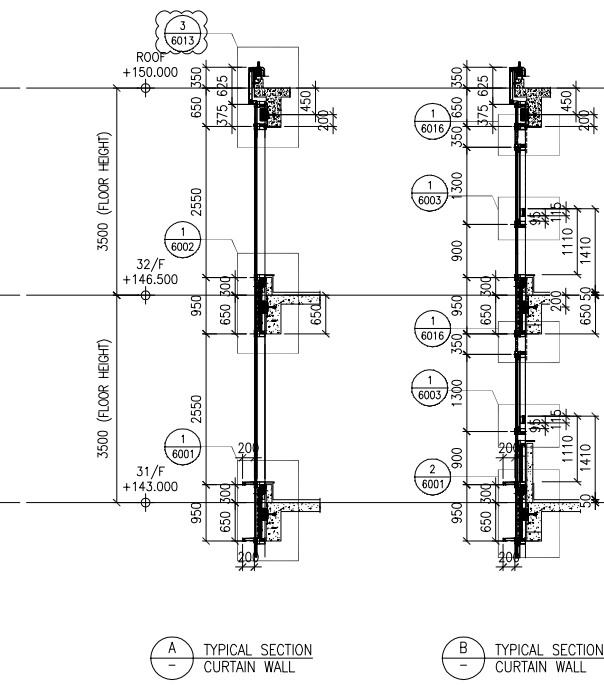
F. - FIXED GLASS
 S.H. - SIDE HUNG OPENABLE WINDOW
 ◀ - SUPPORT POINT (WIND LOAD + DEAD LOAD)
 ◁ - SUPPORT POINT (WIND LOAD)
 S.J. - STACK JOINT REF TO J861-SD-CW-5016

WONG TUNG & PARTNERS LTD.	
APPROVED	
APPROVED AS NOTED	
APPROVED AS NOTED & RESUBMIT	
RESUBMIT	
NO COMMENT	
REFER OTHER CONSULTANT'S COMMENTS	
Reviewed for compliance with the design intent. Comments made shall apply to all similar conditions & details, not just the ones cited. The approval shall not be construed as relieving the contractor for compliance with the contract documents & requirements.	
Reviewed By	Date

* ♦ = RESTRAINT SOCKET



附頁A-A

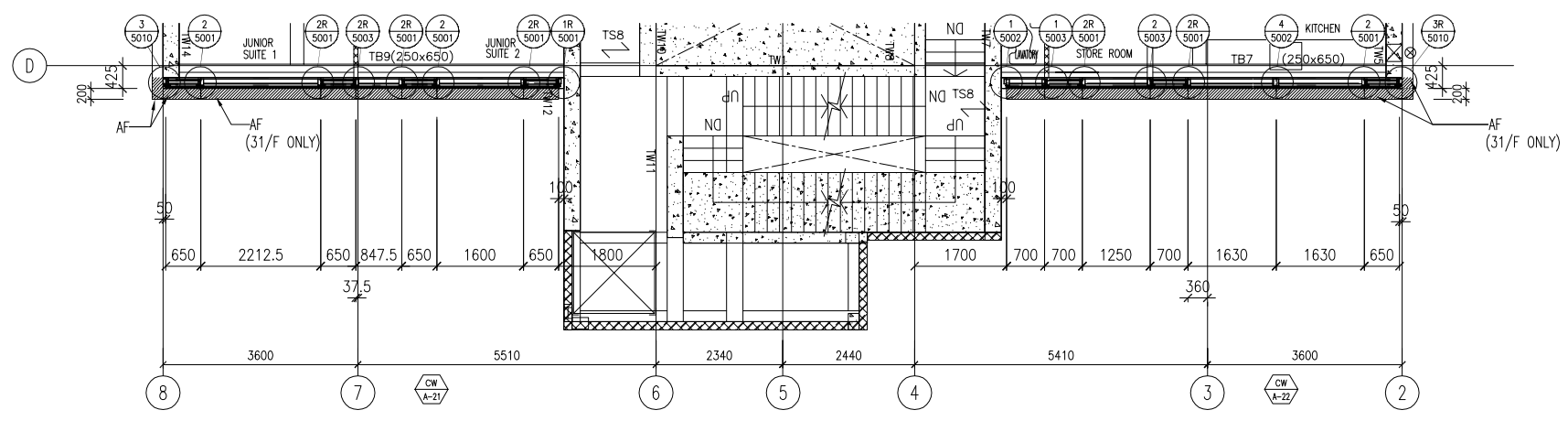


REFER DRAWING:
J861-SD-CW-1/3009

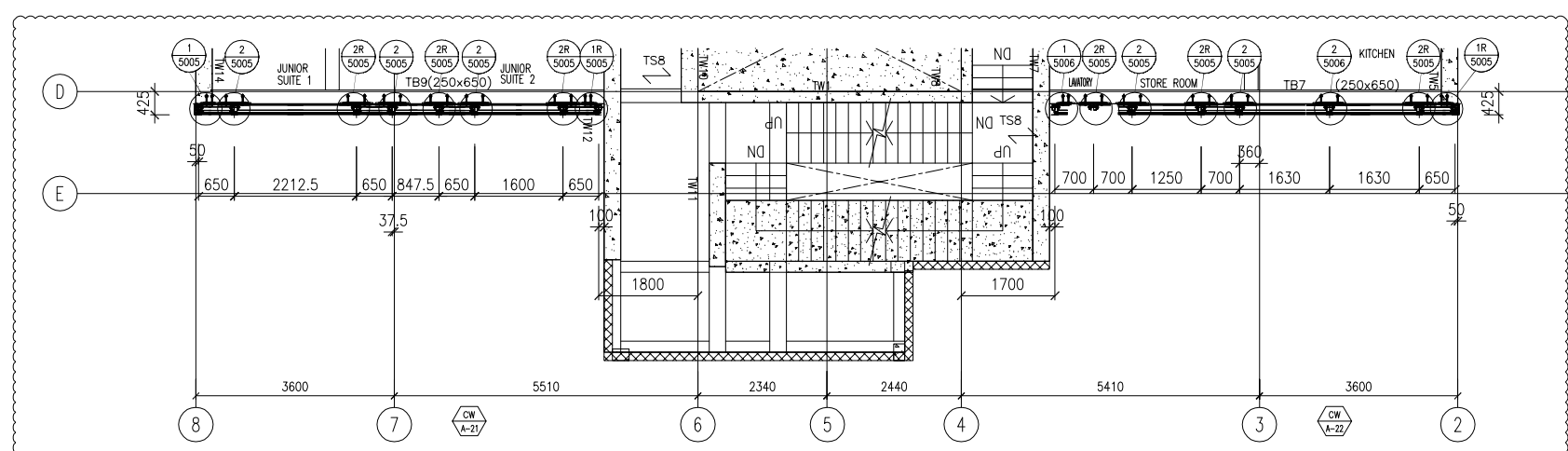
1 - PART ELEVATION CURTAIN WALL

A - TYPICAL SECTION CURTAIN WALL

B - TYPICAL SECTION CURTAIN WALL



2 - PART PLAN CURTAIN WALL



3 - PART PLAN CURTAIN WALL

- LEGEND :
- TG01A1 8mm HEAT STRENGTHENED GLASS + 12mm AIR SPACE + 10mm TEMPERED GLASS (IGU)
 - TG01A2 8mm HEAT STRENGTHENED GLASS + 12mm AIR SPACE + 8mm TEMPERED GLASS (IGU)
 - TG01A3 8mm HEAT STRENGTHENED GLASS WITH (FROSTED) AT SURFACE #3 + 12mm AIR SPACE + 10mm TEMPERED GLASS (IGU)
 - TG01A4 8mm HEAT STRENGTHENED GLASS + 12mm AIR SPACE + 12mm TEMPERED GLASS (IGU)
 - TG02 12mm HEAT STRENGTHENED GLASS W/2mm THK. ALUM. BACK PANEL
 - TG07 10mm CLEAR TEMPERED GLASS
 - TM05 3mm THK ALUM. CLADDING DARK GREY COLOUR CODE: KM3E97023C (*ALL CURTAIN WALL MULLION & TRANSOM FRAME IN DARK GREY COLOUR)
- F. - FIXED GLASS
 S.H. - SIDE HUNG OPENABLE WINDOW
 ◀ - SUPPORT POINT (WIND LOAD + DEAD LOAD)
 ◁ - SUPPORT POINT (WIND LOAD)
 S.J. - STACK JOINT REF TO J861-SD-CW-5016

NOTE :

- ALL DIMENSIONS ARE IN mm.
- ALL ELEVATIONS ARE VIEWED FROM OUTSIDE.
- ALL DIMENSIONS TO BE VERIFIED ON SITE BEFORE FABRICATION.

LEGEND :

- X1 - DETAIL MARK NO.
- X001 - REFER SHEET NO.

- F.F.L. -- FINISHED FLOOR LEVEL
- S.F.L. -- STRUCTURAL FLOOR LEVEL
- ⊖ -- REVERSED DETAIL

B	8/11/2024	GENERAL REVISED	
A	16/9/2024	GENERAL REVISED	
NO.	DATE	REVISED	BY

CLIENT :
MILLION BASE PROPERTIES LIMITED

ARCHITECT :
WONG TUNG & PARTNERS LIMITED
ARCHITECTS & PLANNERS

STRUCTURAL ENGINEER :
SYW & ASSOCIATES LTD.
REGISTERED STRUCTURAL ENGINEER & AUTHORIZED PERSONNEL
邵賢偉建築工程師

MAIN CONTRACTOR :
顯利工程有限公司
HIEN LEE ENGINEERING CO., LTD.

MIDI ALUMINIUM FABRICATOR LTD.
Units 6-8, Sunray Industrial Centre, 1/F
610 Cha Kwo Ling Road, Kowloon
Tel:23489211-4 Fax:(852)2727666

JOB NO. : J-861

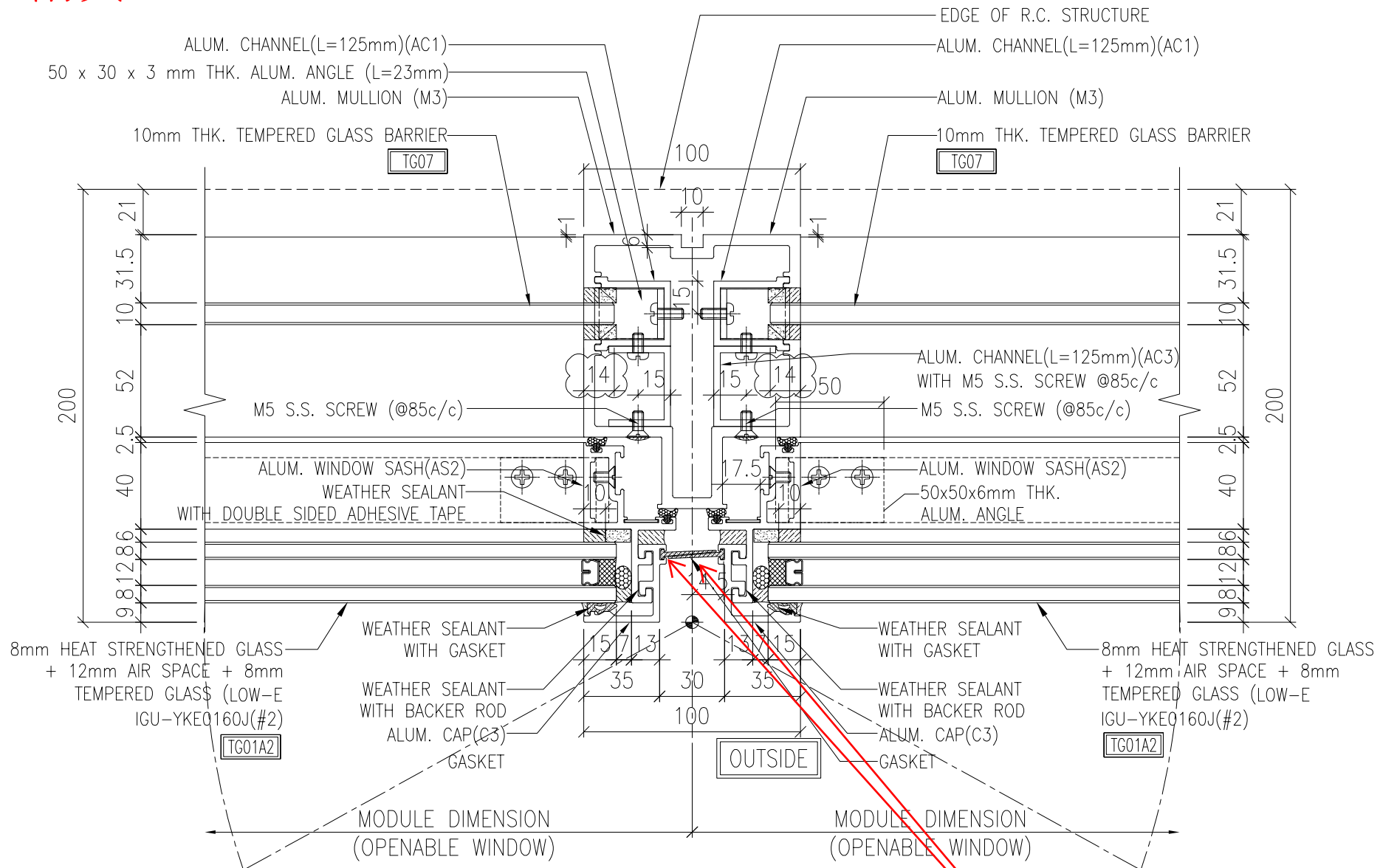
PROJECT :
PROPOSED RESIDENTIAL DEVELOPMENT AT NOS. 3-6 GLENEALY, CENTRAL, HONG KONG

TITLE :
PART ELEVATION FOR CURTAIN WALL

DATE : 06-Sep.-24	SCALE : 1:60(A1)
DRAWN BY : Asing	CHECKED BY :
DWG NO. : J861-SD-CW-3010	REV. : B

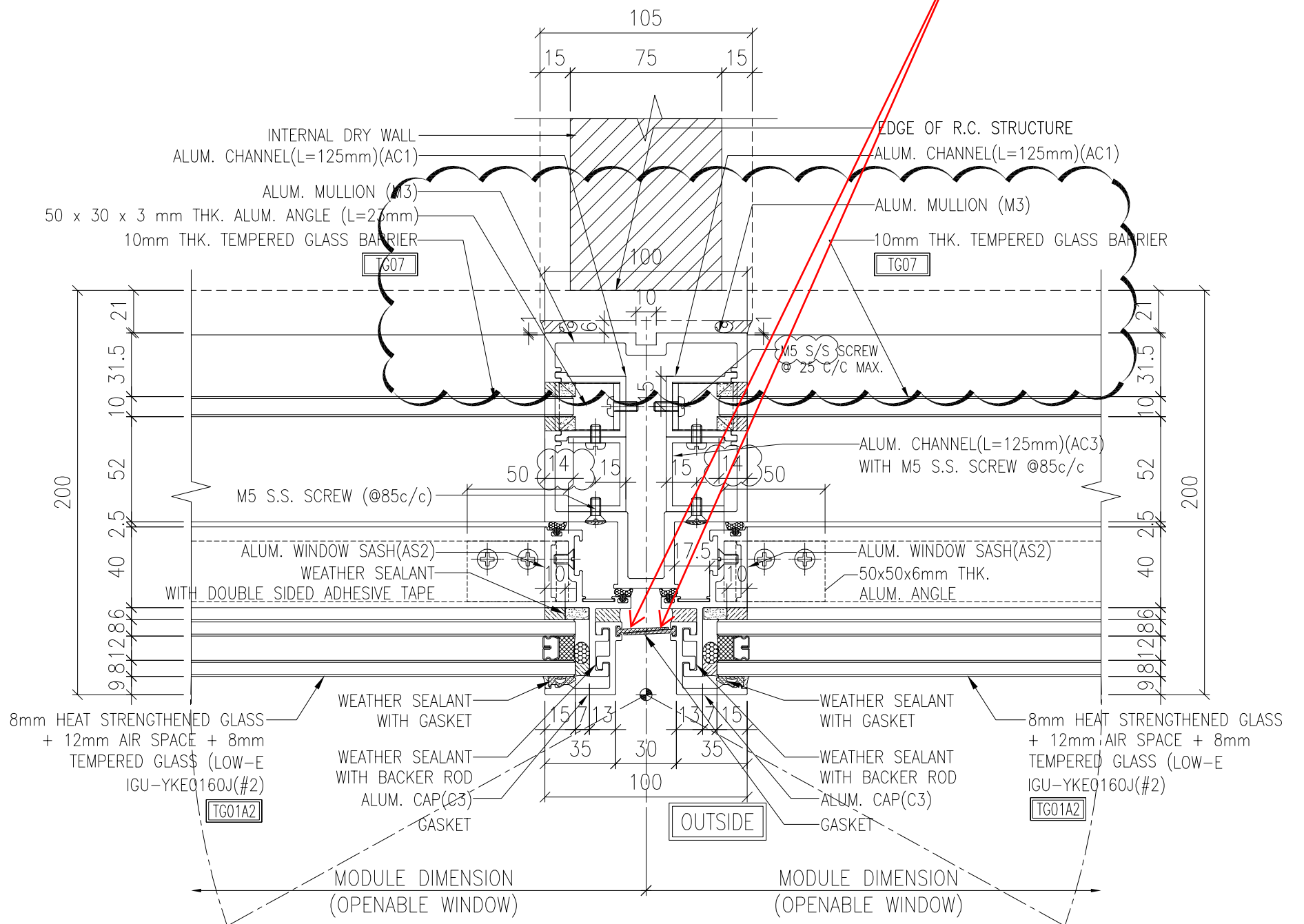
WONG TUNG & PARTNERS LTD.	
APPROVED	
APPROVED AS NOTED	
APPROVED AS NOTED & RESUBMIT	
RESUBMIT	
NO COMMENT	
REFER OTHER CONSULTANT'S COMMENTS	
Reviewed for compliance with the design intent. Comments made shall apply to all similar conditions & details, not just the ones cited. The approval shall not be construed as relieving the contractor for compliance with the contract documents & requirements.	
Reviewed By	Date

附頁B-B



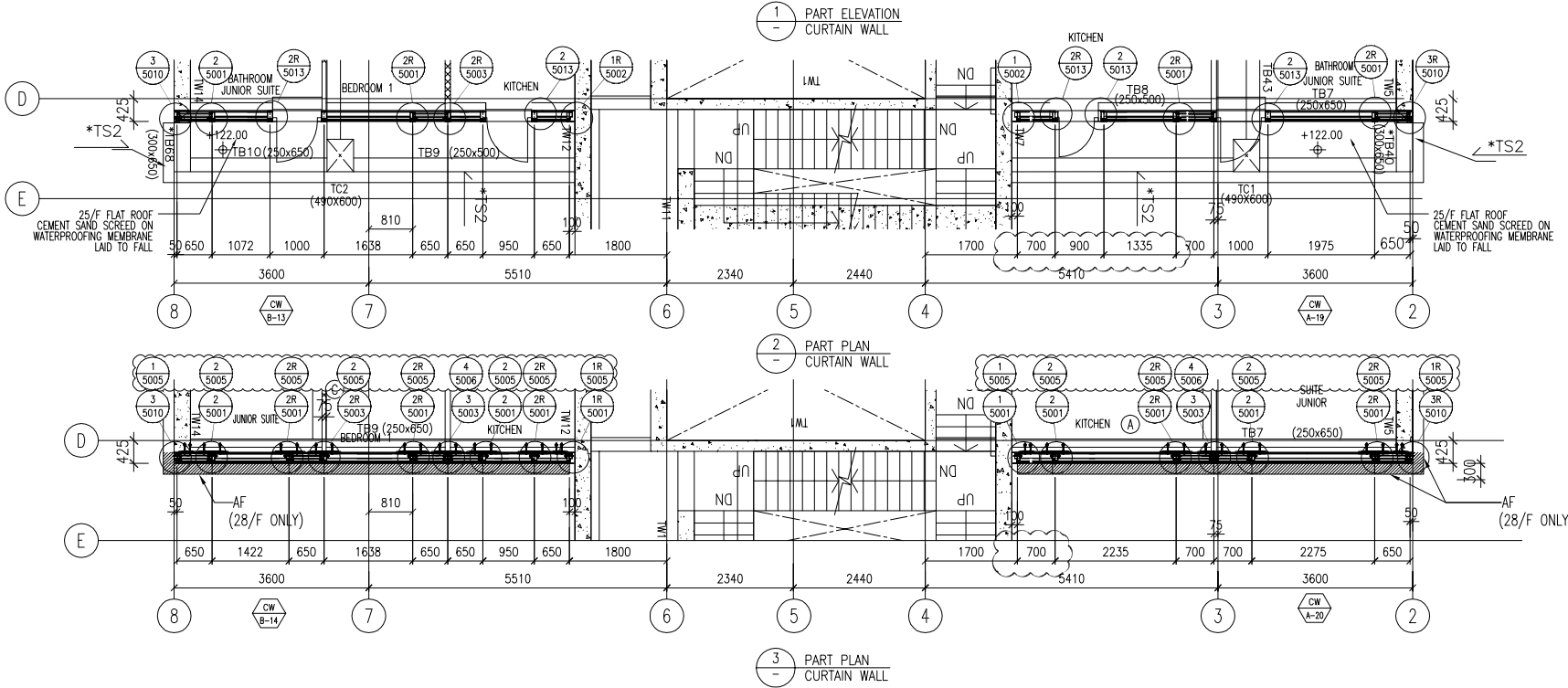
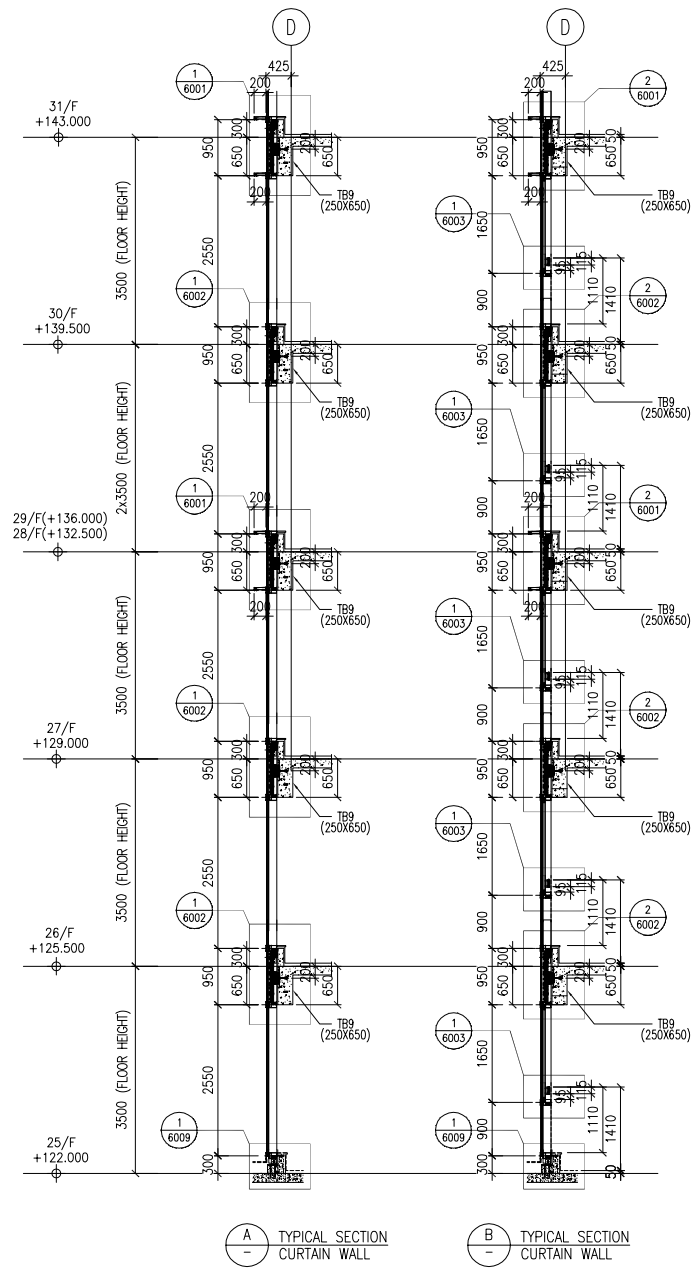
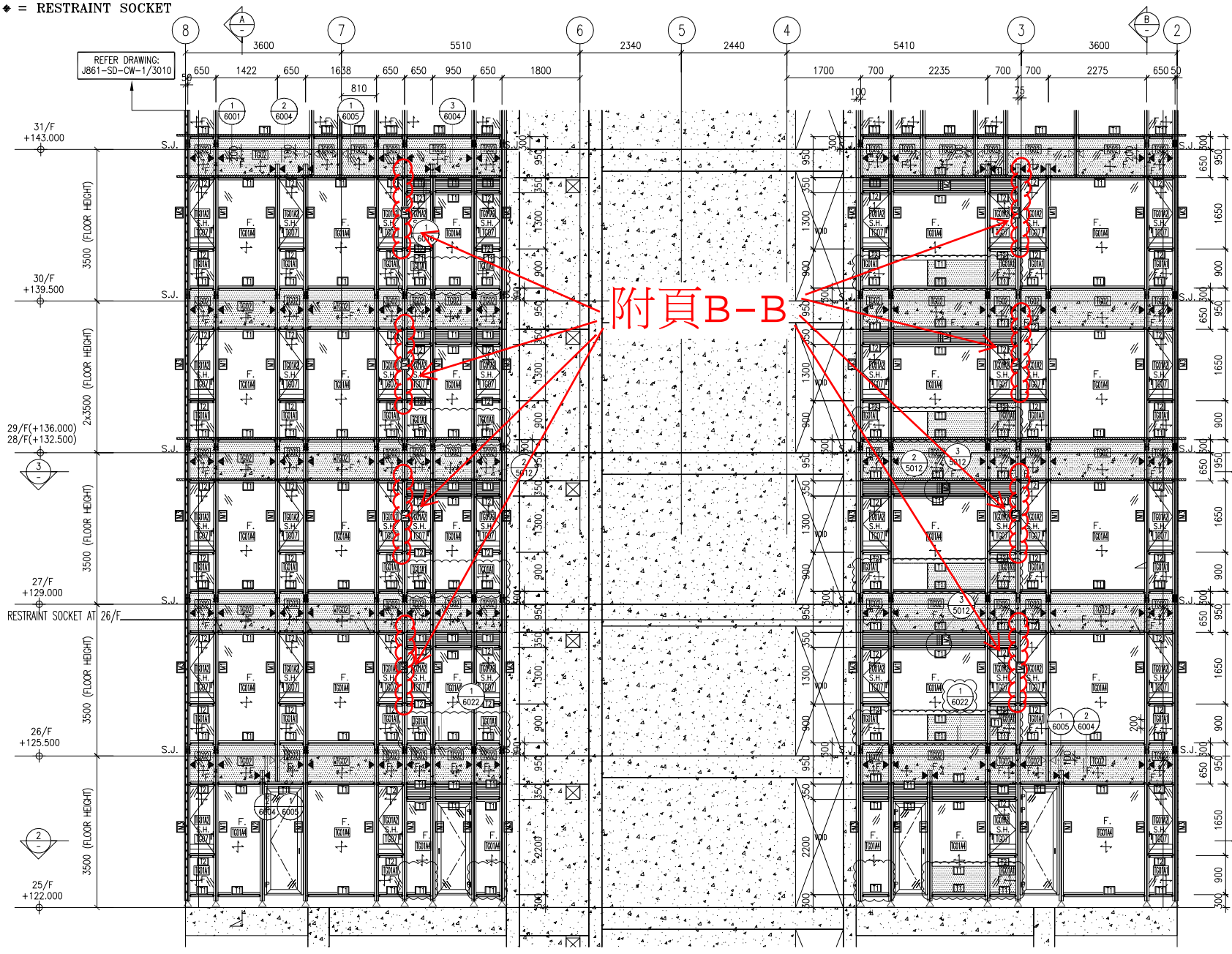
1 TYPICAL MULLION DETAIL
5003 CURTAIN WALL

改用J851-JT05膠條



3 TYPICAL MULLION DETAIL
5003 CURTAIN WALL

◆ = RESTRAINT SOCKET



NOTE:
 1. ALL DIMENSIONS ARE IN mm.
 2. ALL ELEVATIONS ARE VIEWED FROM OUTSIDE.
 3. ALL DIMENSIONS TO BE VERIFIED ON SITE BEFORE FABRICATION.

LEGEND:
 (X1) --- DETAIL MARK NO.
 (X001) --- REFER SHEET NO.

1. F.F.L. --- FINISHED FLOOR LEVEL
 2. S.F.L. --- STRUCTURAL FLOOR LEVEL
 3. (R) --- REVERSED DETAIL

B	8/11/2024	GENERAL REVISED	
A	16/9/2024	GENERAL REVISED	
NO.	DATE	REVISED	BY

CLIENT :
 MILLION BASE PROPERTIES LIMITED

ARCHITECT :
 WONG TUNG & PARTNERS LIMITED
 ARCHITECTS & PLANNERS

STRUCTURAL ENGINEER :
 SYW & ASSOCIATES LTD.
 邵賢偉建築工程師

MAIN CONTRACTOR :
 顯利工程有限公司
 HIEN LEE ENGINEERING CO., LTD.

MIDI ALUMINIUM FABRICATOR LTD.
 Units 6-8, Sunray Industrial Centre, 1/F
 610 Cha Kwo Ling Road, Kowloon
 Tel:23489211-4 Fax:(852)27727666

JOB NO. : J-861
 PROJECT :
 PROPOSED RESIDENTIAL
 DEVELOPMENT AT NOS. 3-6
 GLENEALY, CENTRAL, HONG KONG

TITLE :
 PART ELEVATION
 FOR CURTAIN WALL

DATE : 06-Sep.-24 SCALE : 1:60(A1)
 DRAWN BY : Asing CHECKED BY :
 DWG NO. : J861-SD-CW-3009 REV. : B

LEGEND :

TG01A1 8mm HEAT STRENGTHENED GLASS
 + 12mm AIR SPACE + 10mm TEMPERED GLASS (IGU)

TG01A2 8mm HEAT STRENGTHENED GLASS
 + 12mm AIR SPACE + 8mm TEMPERED GLASS (IGU)

TG01A3 8mm HEAT STRENGTHENED GLASS
 WITH (FROSTED) AT SURFACE #3
 + 12mm AIR SPACE + 10mm TEMPERED GLASS (IGU)

TG01A4 8mm HEAT STRENGTHENED GLASS
 + 12mm AIR SPACE + 12mm TEMPERED GLASS (IGU)

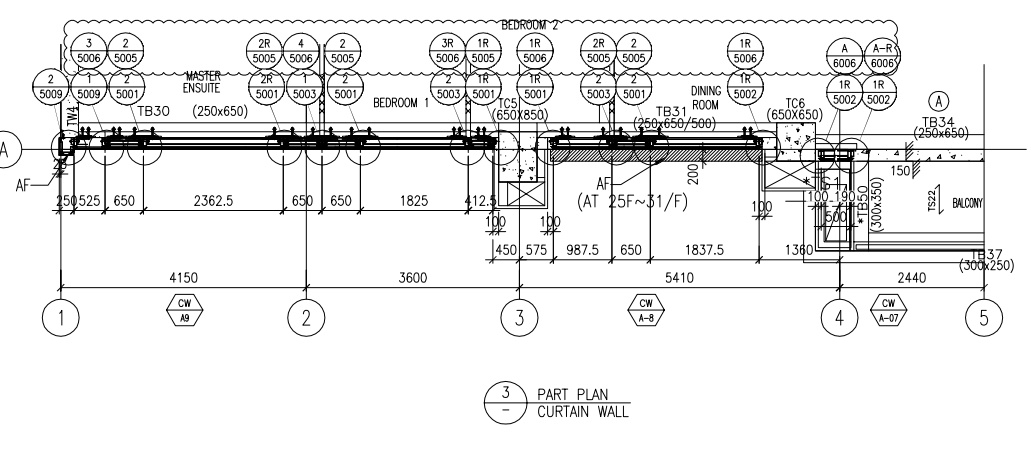
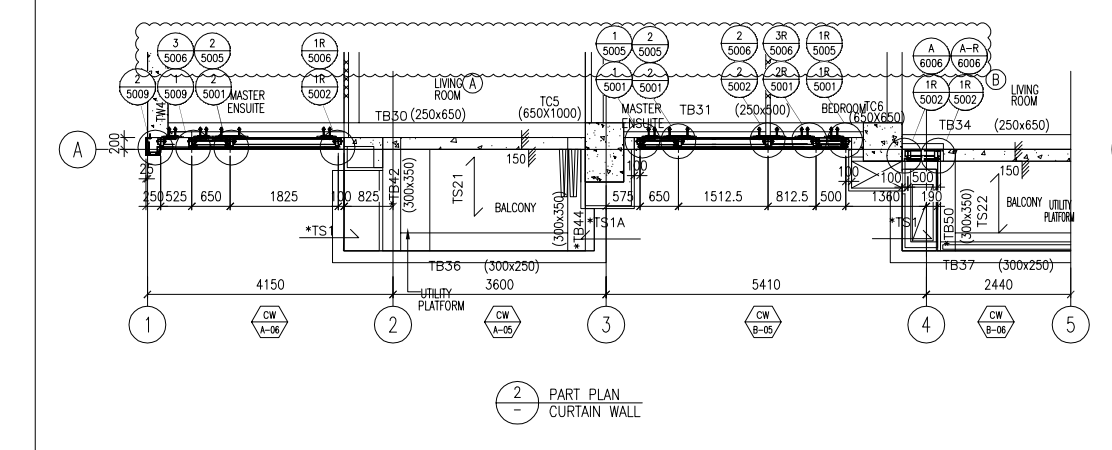
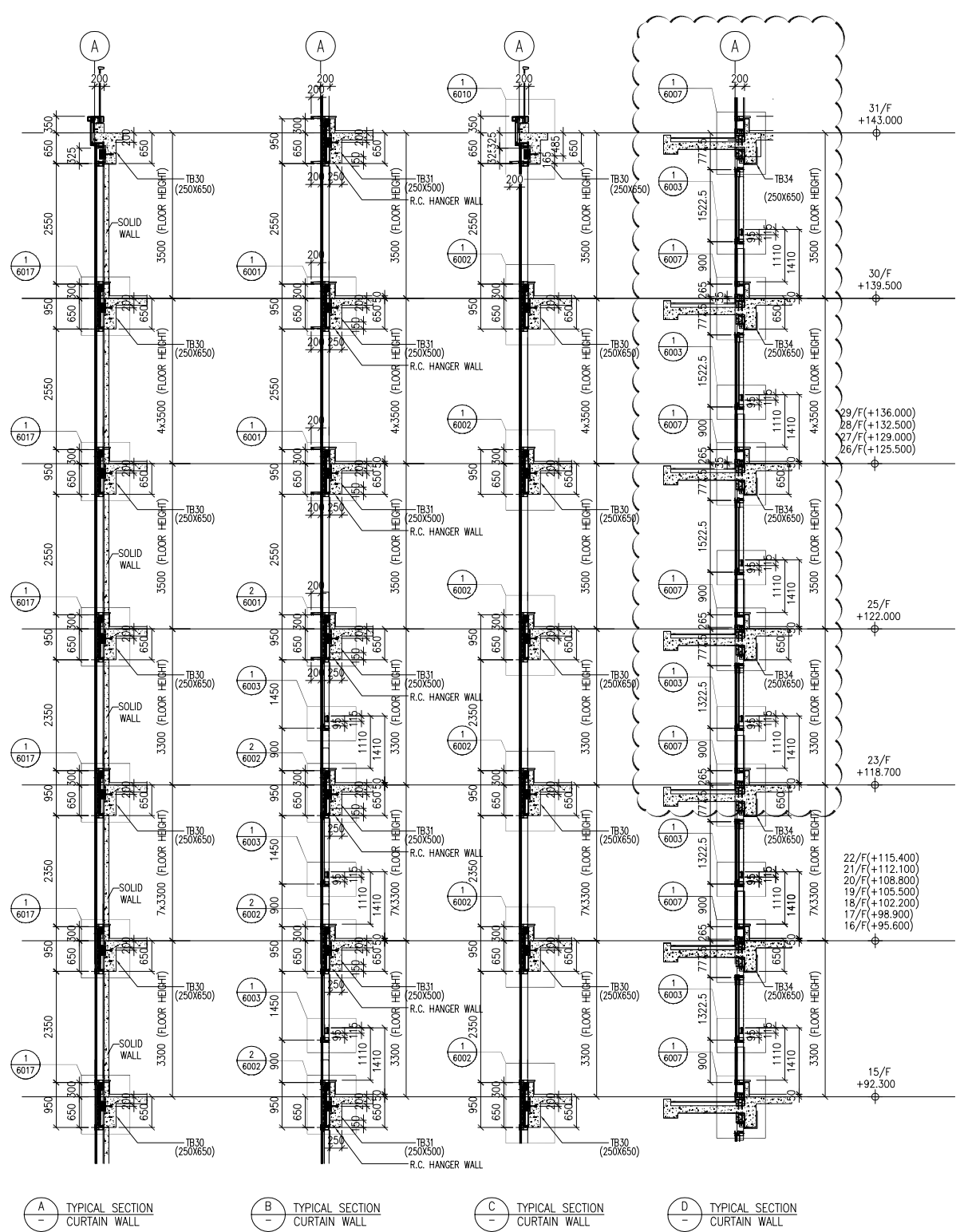
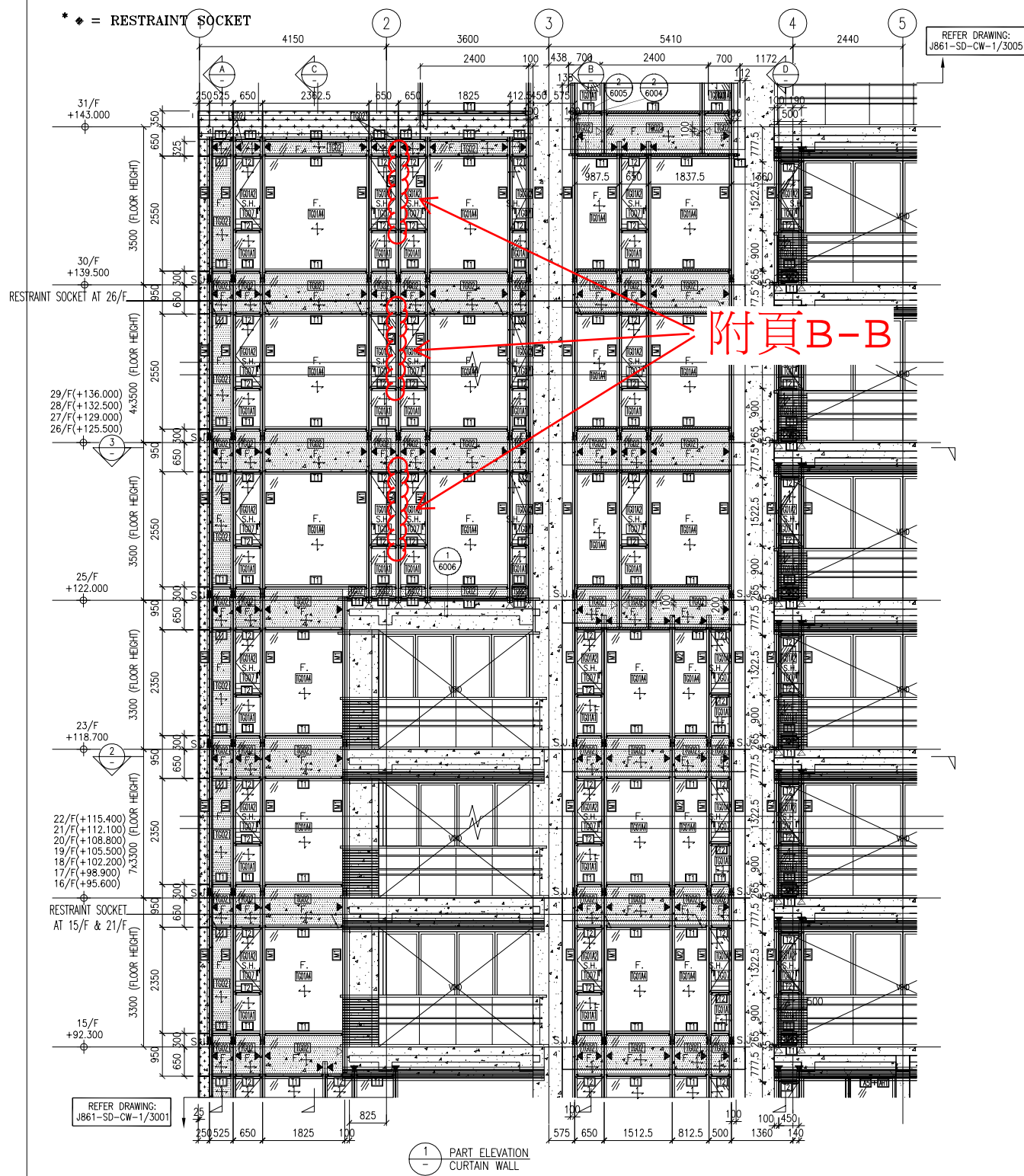
TG02 12mm HEAT STRENGTHENED GLASS
 W/2mm THK. ALUM. BACK PANEL

TG07 10mm CLEAR TEMPERED GLASS

TM05 3mm THK ALUM. CLADDING
 DARK GREY COLOUR CODE: KM3E97023C
 (*ALL CURTAIN WALL MULLION
 & TRANSOM FRAME IN DARK GREY COLOUR)

F. - FIXED GLASS
 S.H. - SIDE HUNG OPENABLE WINDOW
 ◀ - SUPPORT POINT (WIND LOAD + DEAD LOAD)
 ◁ - SUPPORT POINT (WIND LOAD)
 S.J. - STACK JOINT REF TO J861-SD-CW-5016

WONG TUNG & PARTNERS LTD.	
APPROVED	
APPROVED AS NOTED	
APPROVED AS NOTED & RESUBMIT	
RESUBMIT	
NO COMMENT	
REFER OTHER CONSULTANT'S COMMENTS	
Reviewed for compliance with the design intent. Comments made shall apply to all similar conditions & details, not just the ones cited. The approval shall not be construed as relieving the contractor for compliance with the contract documents & requirements.	
Reviewed By	Date



- LEGEND :
- TG01A1 8mm HEAT STRENGTHENED GLASS + 12mm AIR SPACE + 10mm TEMPERED GLASS (IGU)
 - TG01A2 8mm HEAT STRENGTHENED GLASS + 12mm AIR SPACE + 8mm TEMPERED GLASS (IGU)
 - TG01A3 8mm HEAT STRENGTHENED GLASS WITH (FROSTED) AT SURFACE #3 + 12mm AIR SPACE + 10mm TEMPERED GLASS (IGU)
 - TG01A4 8mm HEAT STRENGTHENED GLASS + 12mm AIR SPACE + 12mm TEMPERED GLASS (IGU)
 - TG02 12mm HEAT STRENGTHENED GLASS W/2mm THK. ALUM. BACK PANEL
 - TG07 10mm CLEAR TEMPERED GLASS
 - TW05 3mm THK ALUM. CLADDING DARK GREY COLOUR CODE: KM3E97023C (*ALL CURTAIN WALL MULLION & TRANSOM FRAME IN DARK GREY COLOUR)
- F. - FIXED GLASS
 S.H. - SIDE HUNG OPENABLE WINDOW
 ◀ - SUPPORT POINT (WIND LOAD + DEAD LOAD)
 ◀ - SUPPORT POINT (WIND LOAD)
 S.J. - STACK JOINT REF TO J861-SD-CW-5016

NOTE :

- ALL DIMENSIONS ARE IN mm.
- ALL ELEVATIONS ARE VIEWED FROM OUTSIDE.
- ALL DIMENSIONS TO BE VERIFIED ON SITE BEFORE FABRICATION.

LEGEND :

(X1) - DETAIL MARK NO.
 (X001) - REFER SHEET NO.

- F.F.L. --- FINISHED FLOOR LEVEL
- S.F.L. --- STRUCTURAL FLOOR LEVEL
- (R) --- REVERSED DETAIL

B	8/11/2024	GENERAL REVISED	
A	16/9/2024	GENERAL REVISED	
NO.	DATE	REVISED	BY

CLIENT :
MILLION BASE PROPERTIES LIMITED

ARCHITECT :
WONG TUNG & PARTNERS LIMITED
ARCHITECTS & PLANNERS

STRUCTURAL ENGINEER :
SYW & ASSOCIATES LTD.
SYW 邵賢偉建築工程師

MAIN CONTRACTOR :
顯利工程有限公司
HIEN LEE ENGINEERING CO., LTD.

MIDI ALUMINIUM FABRICATOR LTD.
Units 6-8, Sunray Industrial Centre, 1/F
610 Cha Kwo Ling Road, Kowloon
Tel:23489211-4 Fax:(852)27727666

JOB NO. : J-861

PROJECT :
PROPOSED RESIDENTIAL DEVELOPMENT AT NOS. 3-6 GLENEALY, CENTRAL, HONG KONG

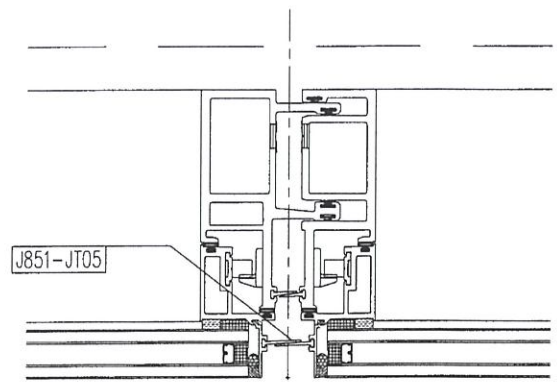
TITLE :
PART ELEVATION FOR CURTAIN WALL

DATE : 06-Sep.-24 SCALE : 1:60(A1)

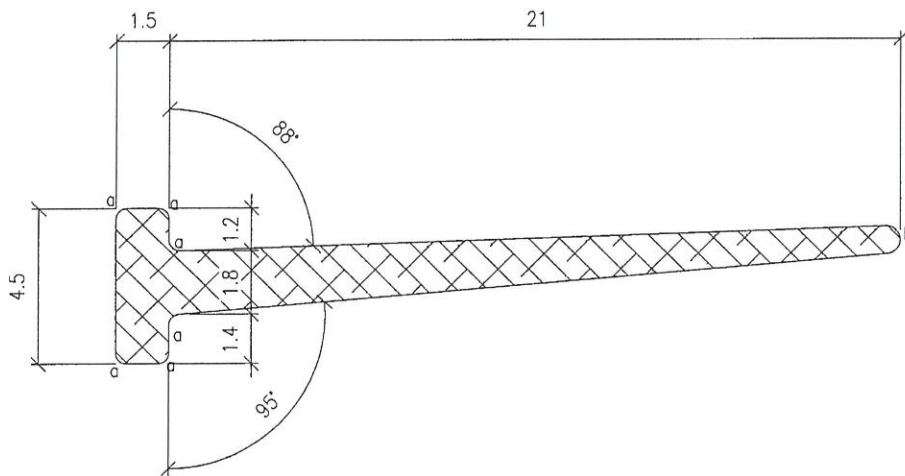
DRAWN BY : Asing CHECKED BY :

DWG NO. : J861-SD-CW-3003 REV. : B

WONG TUNG & PARTNERS LTD.
 APPROVED
 APPROVED AS NOTED
 APPROVED AS NOTED & RESUBMIT
 RESUBMIT
 NO COMMENT
 REFER OTHER CONSULTANT'S COMMENTS
 Reviewed By: _____ Date: _____



SCALE 1:4



a=R0.3
b=R0.4


胡蝶宮



SCALE 1:1

NOTES:

1. UNSPECIFIED RADIUS : 0.3
2. MATERIAL : EPDM ✓
3. HARDNESS: 65±5 DURO. ✓
4. AREA = 34.23 SQ. MM

PROJECT / 工程名稱: J851		DRAWING TITLE / 圖紙名稱: GASKET DRAWING	
GASKET DIE SCHEDULE		SCALE / 比例: 5:1	 美特鋁質有限公司 MIDI Aluminium Fabricator Ltd.
JOB NO. / 工程編號: J851	DWG. NO. / 圖紙編號: J851-JT05	DATE / 日期: 2020-03-27	
REV / 版次: A	CHKD / 核對人: -	DRAWN / 繪製人: kin	

預量 4000米