



工程指示 / 要求簡箋 ENGINEER INSTRUCTIONS(E.I.)

工程指示編號:	EI- 8899	修改版本:	A
	HK- 0361		
工程編號:	J 861	工程名稱:	己連拿利
收件人:	生統/技術部	發件人:	細佬
工程項目:	幕牆	日期:	24/04/2025

<input type="checkbox"/> 原合約工程包	<input type="checkbox"/> 原合約工程加 / 減賬 QT-	<input type="checkbox"/> 新工程報價 QT-
---------------------------------	--	------------------------------------

信件批核號碼/圖紙參考編號:	批核模具圖紙編號:
客戶指示附件:	管理內部批簽署:

<input type="checkbox"/> 初步鋁料 B.M.	<input type="checkbox"/> 加工拆圖, 然後生產	<input type="checkbox"/> 尺寸表
<input type="checkbox"/> 正式鋁料 B.M.	<input type="checkbox"/> 技術上資料/指示	<input type="checkbox"/> 報價
<input type="checkbox"/> 配件 B.M.	<input type="checkbox"/> 樣辦或貨品說明書	<input type="checkbox"/> 分判合約
<input type="checkbox"/> 其他:		


內容:	給技術部: 看附頁修改的地方
1. 紅色雲線玻璃改成磨砂玻璃, 玻璃編號TG01A3:8MMHS+12MMA+10MMTP	Description: low-E, IGU, with frosted frit (#3) Sample Code:R20240716047
2. 藍色雲線取消企料	
3. 綠色雲線取消百葉	
請跟進有關的加工圖	
完成上列要求日期:	13/05/2025

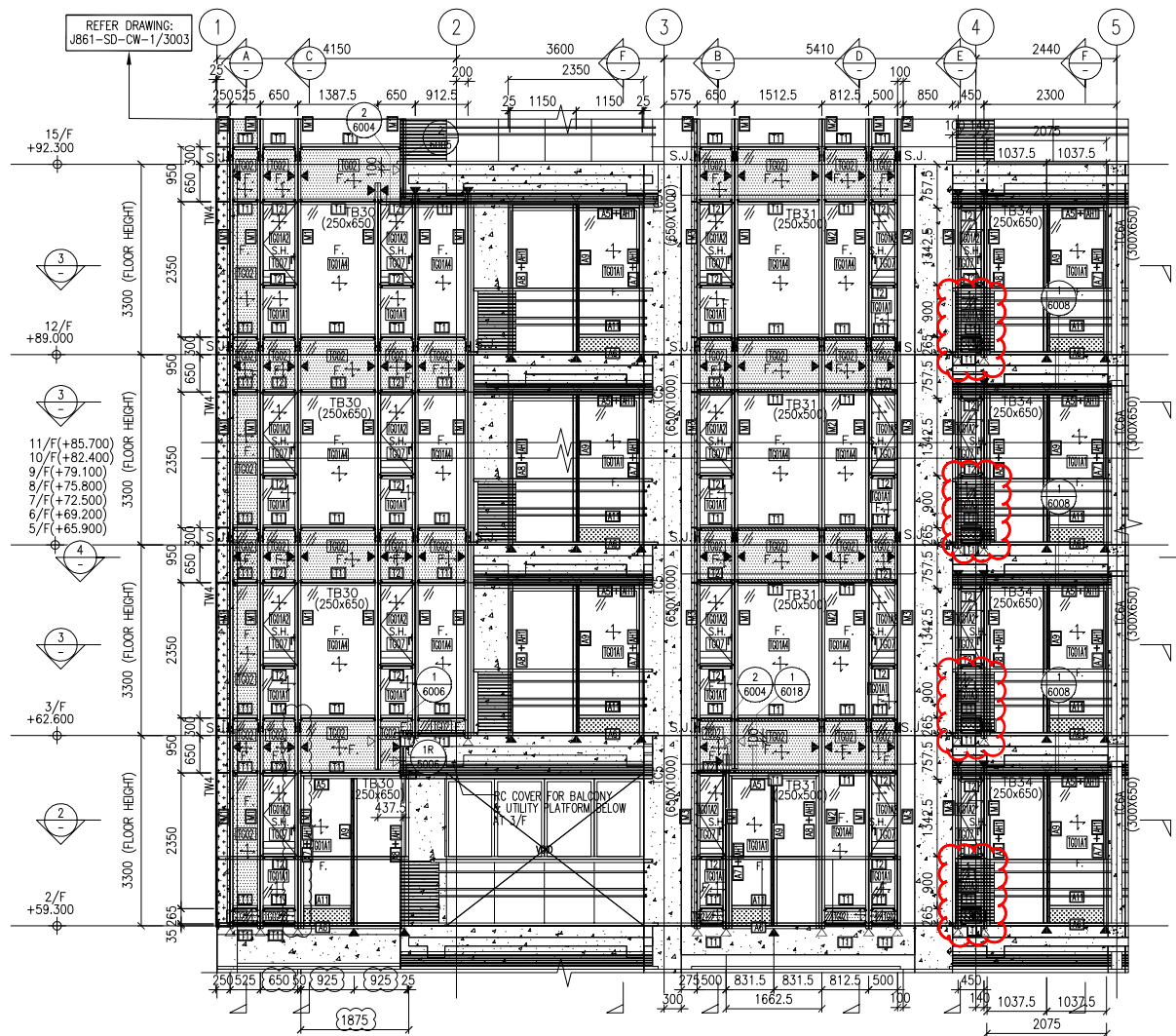
國內

<input type="checkbox"/> 生產技術總監	<input type="checkbox"/> 連附件	<input checked="" type="checkbox"/> 技術部	<input checked="" type="checkbox"/> 連附件	<input type="checkbox"/> 生產部	<input type="checkbox"/> 連附件
<input type="checkbox"/> 採購部	<input type="checkbox"/> 連附件	<input type="checkbox"/> 生產統籌部	<input type="checkbox"/> 連附件	<input type="checkbox"/> 報關組	<input type="checkbox"/> 連附件
<input type="checkbox"/> 質檢部	<input type="checkbox"/> 連附件	<input type="checkbox"/> 會計部	<input type="checkbox"/> 連附件	<input type="checkbox"/> 機械設計部	<input type="checkbox"/> 連附件
<input type="checkbox"/> 香港辦	<input type="checkbox"/> 連附件	<input type="checkbox"/> 其他:			

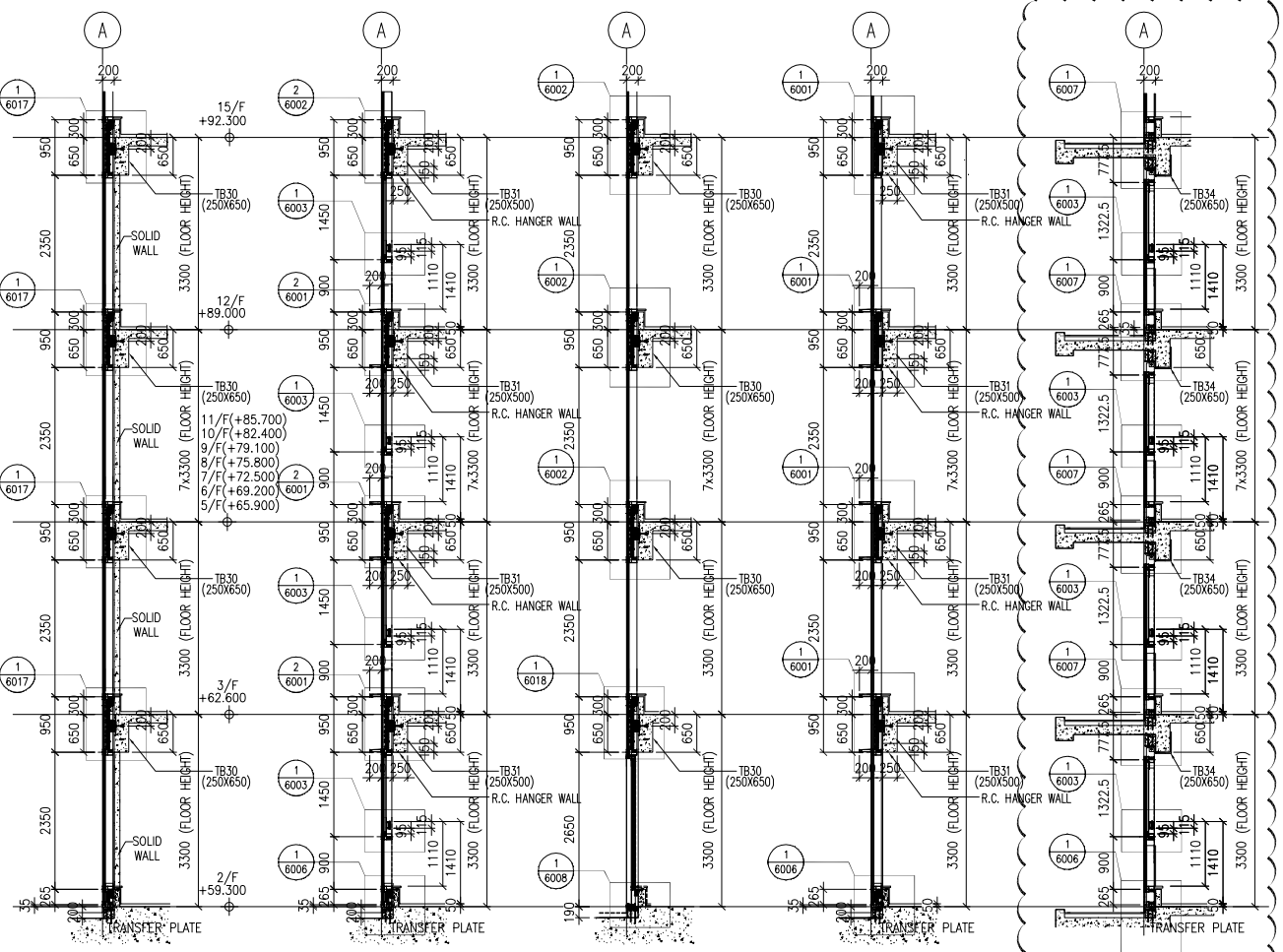
香港

<input type="checkbox"/> 行政部	<input type="checkbox"/> 連附件	<input type="checkbox"/> 會計部	<input type="checkbox"/> 連附件	<input type="checkbox"/> 統籌部	<input type="checkbox"/> 連附件	<input type="checkbox"/> 工程部	<input type="checkbox"/> 連附件
<input type="checkbox"/> 採購部	<input type="checkbox"/> 連附件	<input type="checkbox"/> QS部	<input type="checkbox"/> 連附件	<input type="checkbox"/> 地盤管理	<input type="checkbox"/> 連附件	<input type="checkbox"/> 維修部	<input type="checkbox"/> 連附件

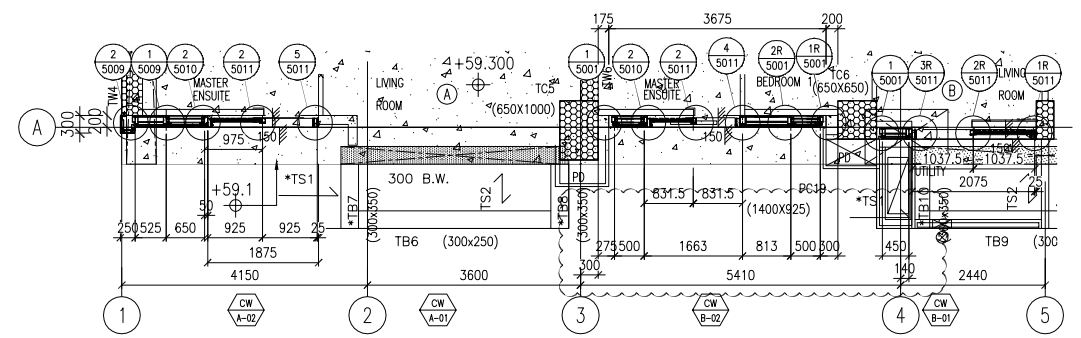
*發件人簽署:	*組別成員批核簽署:
傳遞編號: HK-0361	項目經理簽署: 



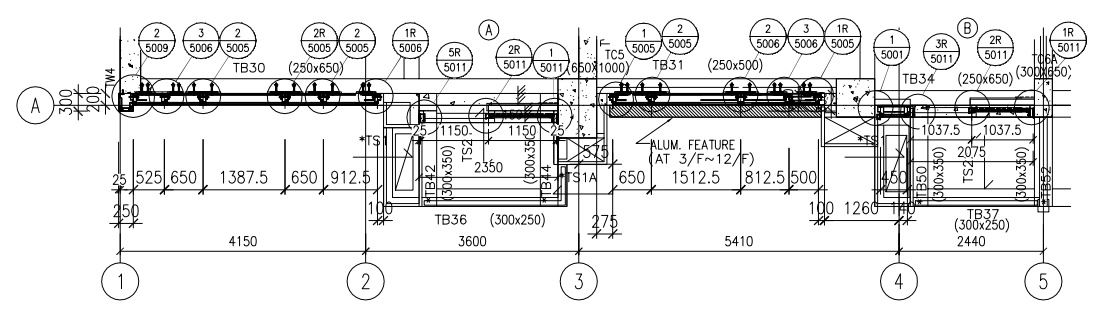
1 PART ELEVATION CURTAIN WALL



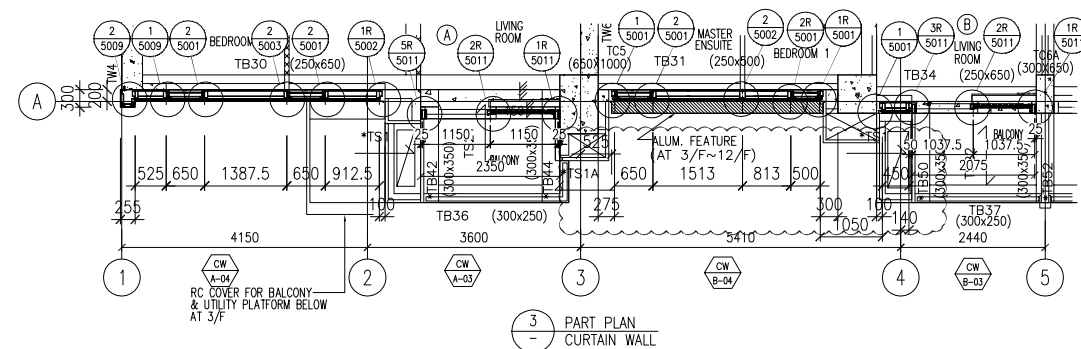
A TYPICAL SECTION CURTAIN WALL B TYPICAL SECTION CURTAIN WALL C TYPICAL SECTION CURTAIN WALL D TYPICAL SECTION CURTAIN WALL E TYPICAL SECTION CURTAIN WALL



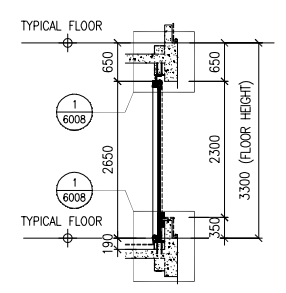
2 PART PLAN (2/F) CURTAIN WALL



4 PART PLAN CURTAIN WALL



3 PART PLAN CURTAIN WALL



F TYPICAL SECTION CURTAIN WALL

- LEGEND :**
- TG01A1 8mm HEAT STRENGTHENED GLASS + 12mm AIR SPACE + 10mm TEMPERED GLASS (IGU)
 - TG01A2 8mm HEAT STRENGTHENED GLASS + 12mm AIR SPACE + 8mm TEMPERED GLASS (IGU)
 - TG01A3 8mm HEAT STRENGTHENED GLASS WITH (FROSTED) AT SURFACE #3 + 12mm AIR SPACE + 10mm TEMPERED GLASS (IGU)
 - TG01A4 8mm HEAT STRENGTHENED GLASS + 12mm AIR SPACE + 12mm TEMPERED GLASS (IGU)
 - TG02 12mm HEAT STRENGTHENED GLASS W/2mm THK. ALUM. BACK PANEL
 - TG07 10mm CLEAR TEMPERED GLASS
 - TM05 3mm THK ALUM. CLADDING DARK GREY COLOUR CODE: KM3E97023C (*ALL CURTAIN WALL MULLION & TRANSOM FRAME IN DARK GREY COLOUR)
- F. - FIXED GLASS
 S.H. - SIDE HUNG OPENABLE WINDOW
 ◀ - SUPPORT POINT (WIND LOAD + DEAD LOAD)
 ◁ - SUPPORT POINT (WIND LOAD)
 S.J. - STACK JOINT REF TO J861-SD-CW-5016

NOTE :

- ALL DIMENSIONS ARE IN mm.
- ALL ELEVATIONS ARE VIEWED FROM OUTSIDE.
- ALL DIMENSIONS TO BE VERIFIED ON SITE BEFORE FABRICATION.

LEGEND :

(X1) - DETAIL MARK NO.
 (X001) - REFER SHEET NO.

- F.F.L. --- FINISHED FLOOR LEVEL
- S.F.L. --- STRUCTURAL FLOOR LEVEL
- (R) --- REVERSED DETAIL

B	8/11/2024	GENERAL REVISED	
A	16/9/2024	GENERAL REVISED	
NO.	DATE	REVISED	BY

CLIENT :
MILLION BASE PROPERTIES LIMITED

ARCHITECT :
WONG TUNG & PARTNERS LIMITED
 ARCHITECTS & PLANNERS

STRUCTURAL ENGINEER :
SYW & ASSOCIATES LTD.
 鄧賢偉建築工程師

MAIN CONTRACTOR :
顯利工程有限公司
HIEEN LEE ENGINEERING CO., LTD.

美特鋁質有限公司
MIDI ALUMINIUM FABRICATOR LTD.
 Units 6-8, Sunray Industrial Centre, 1/F
 610 Cha Kwo Ling Road, Kowloon
 Tel:23489211-4 Fax:(852)2727666

JOB NO. : J-861

PROJECT :
 PROPOSED RESIDENDIAL DEVELOPMENT AT NOS. 3-6 GLENEALY, CENTRAL, HONG KONG

TITLE :
 PART ELEVATION FOR CURTAIN WALL

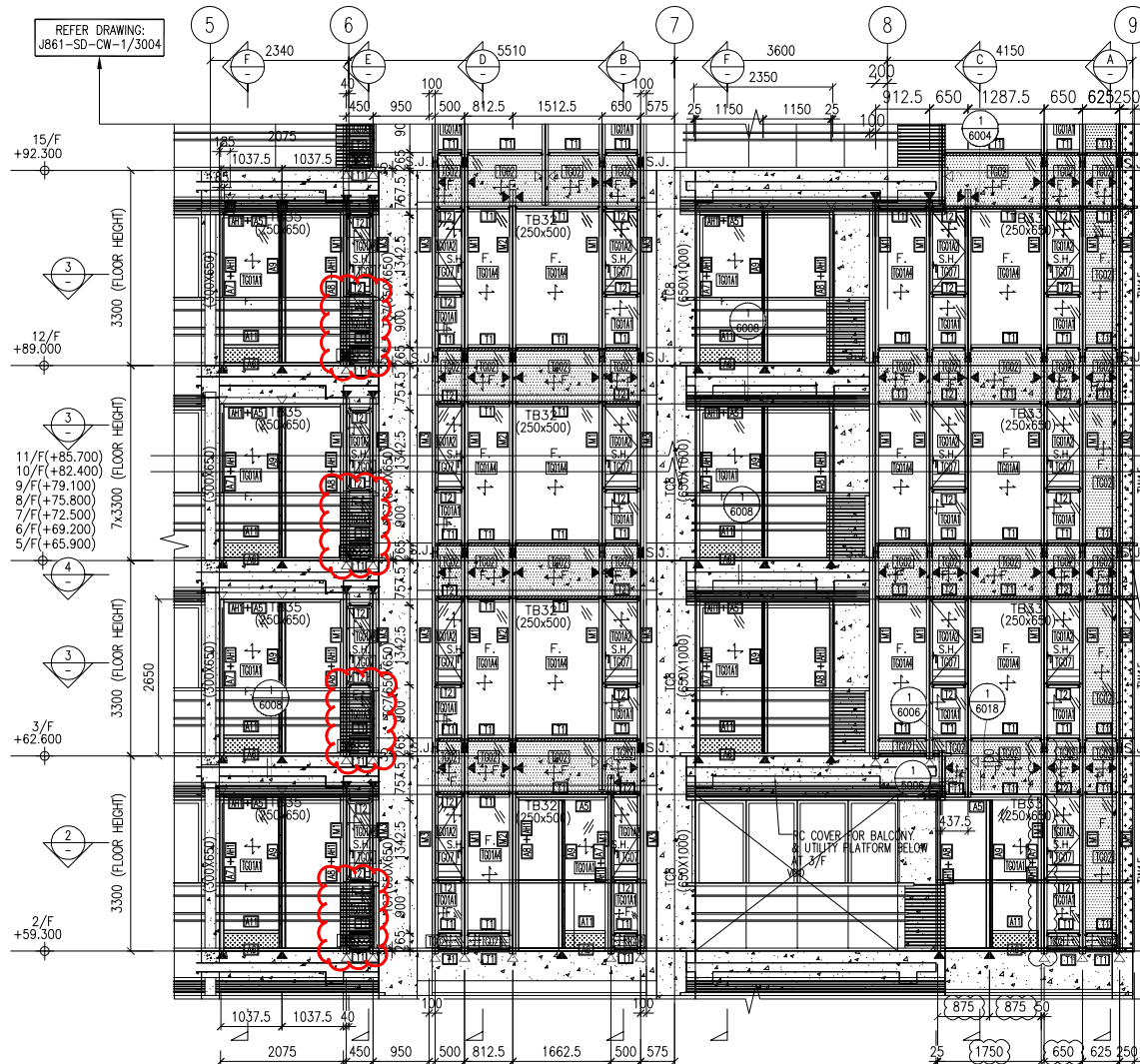
DATE : 06-Sep.-24	SCALE : 1:60(A1)
DRAWN BY : Asing	CHECKED BY :
DWG NO. : J861-SD-CW-3001	REV. : B

WONG TUNG & PARTNERS LTD.

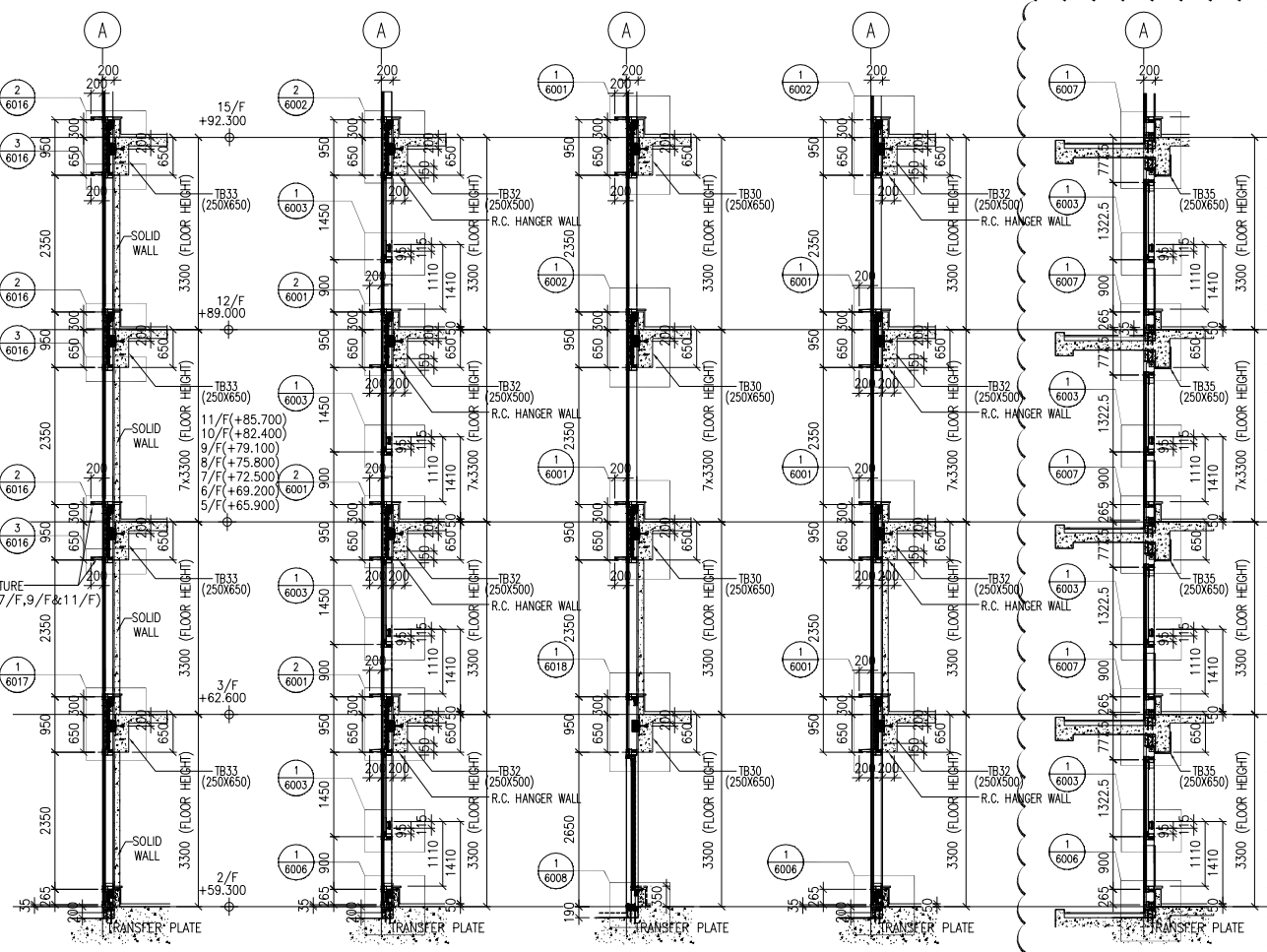
APPROVED
 APPROVED AS NOTED
 APPROVED AS NOTED & RESUBMIT
 RESUBMIT
 NO COMMENT
 REFER OTHER CONSULTANT'S COMMENTS

Reviewed for compliance with the design intent. Comments made shall apply to all similar conditions & details, not just the ones cited.
 The approval shall not be construed as relieving the contractor for compliance with the contract documents & requirements.

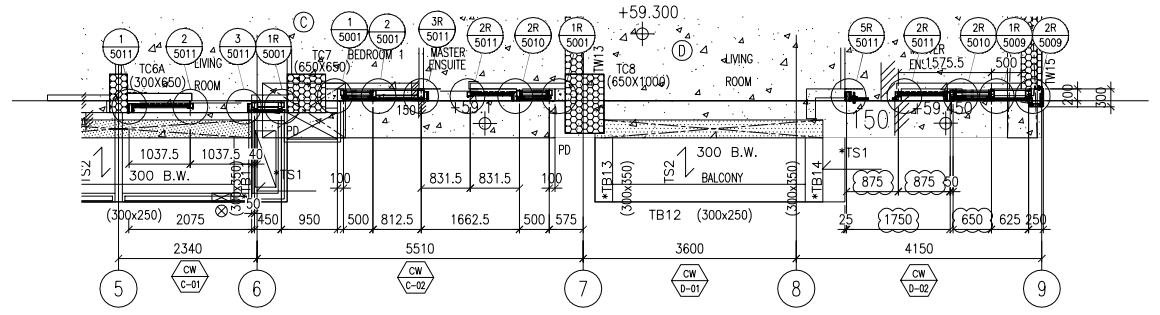
Reviewed By _____ Date _____



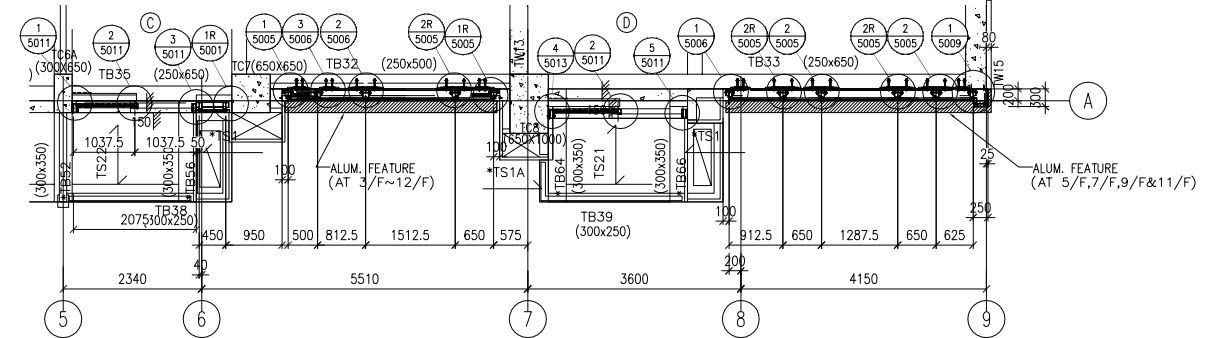
1 PART ELEVATION CURTAIN WALL



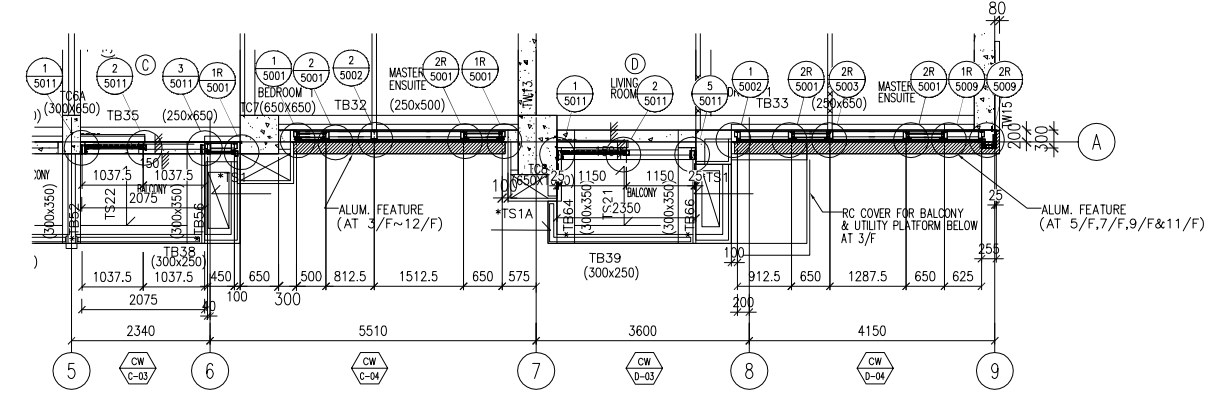
A TYPICAL SECTION CURTAIN WALL
B TYPICAL SECTION CURTAIN WALL
C TYPICAL SECTION CURTAIN WALL
D TYPICAL SECTION CURTAIN WALL
E TYPICAL SECTION CURTAIN WALL



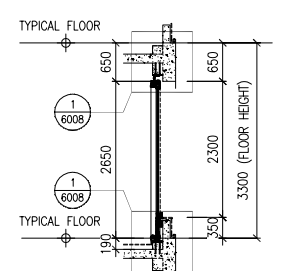
2 PART PLAN (2/F) CURTAIN WALL



4 PART PLAN CURTAIN WALL



3 PART PLAN CURTAIN WALL



F TYPICAL SECTION CURTAIN WALL

- LEGEND :
- TG01A1 8mm HEAT STRENGTHENED GLASS + 12mm AIR SPACE + 10mm TEMPERED GLASS (IGU)
 - TG01A2 8mm HEAT STRENGTHENED GLASS + 12mm AIR SPACE + 8mm TEMPERED GLASS (IGU)
 - TG01A3 8mm HEAT STRENGTHENED GLASS WITH (FROSTED) AT SURFACE #3 + 12mm AIR SPACE + 10mm TEMPERED GLASS (IGU)
 - TG01A4 8mm HEAT STRENGTHENED GLASS + 12mm AIR SPACE + 12mm TEMPERED GLASS (IGU)
 - TG02 12mm HEAT STRENGTHENED GLASS W/2mm THK. ALUM. BACK PANEL
 - TG07 10mm CLEAR TEMPERED GLASS
 - TW05 3mm THK ALUM. CLADDING DARK GREY COLOUR CODE: KM3E7023C (*ALL CURTAIN WALL MULLION & TRANSOM FRAME IN DARK GREY COLOUR)
- F. - FIXED GLASS
S.H. - SIDE HUNG OPENABLE WINDOW
▲ - SUPPORT POINT (WIND LOAD + DEAD LOAD)
◁ - SUPPORT POINT (WIND LOAD)
S.J. - STACK JOINT REF TO J861-SD-CW-5016

NOTE :

- ALL DIMENSIONS ARE IN mm.
- ALL ELEVATIONS ARE VIEWED FROM OUTSIDE.
- ALL DIMENSIONS TO BE VERIFIED ON SITE BEFORE FABRICATION.

LEGEND :

(X1) - DETAIL MARK NO.
(X001) - REFER SHEET NO.

1. F.F.L. --- FINISHED FLOOR LEVEL
2. S.F.L. --- STRUCTURAL FLOOR LEVEL
3. (R) --- REVERSED DETAIL

B	8/11/2024	GENERAL REVISED	
A	16/9/2024	GENERAL REVISED	
NO.	DATE	REVISED	BY

CLIENT :
MILLION BASE PROPERTIES LIMITED

ARCHITECT :
WONG TUNG & PARTNERS LIMITED
ARCHITECTS & PLANNERS

STRUCTURAL ENGINEER :
SYW & ASSOCIATES LTD.
註冊專業工程師 專業建築工程師

MAIN CONTRACTOR :
顯利工程有限公司
HIEN LEE ENGINEERING CO., LTD.

美特鋁質有限公司
MIDI ALUMINIUM FABRICATOR LTD.
Units 6-8, Sunray Industrial Centre, 1/F
610 Cha Kwo Ling Road, Kowloon
Tel:23489211-4 Fax:(852)2727666

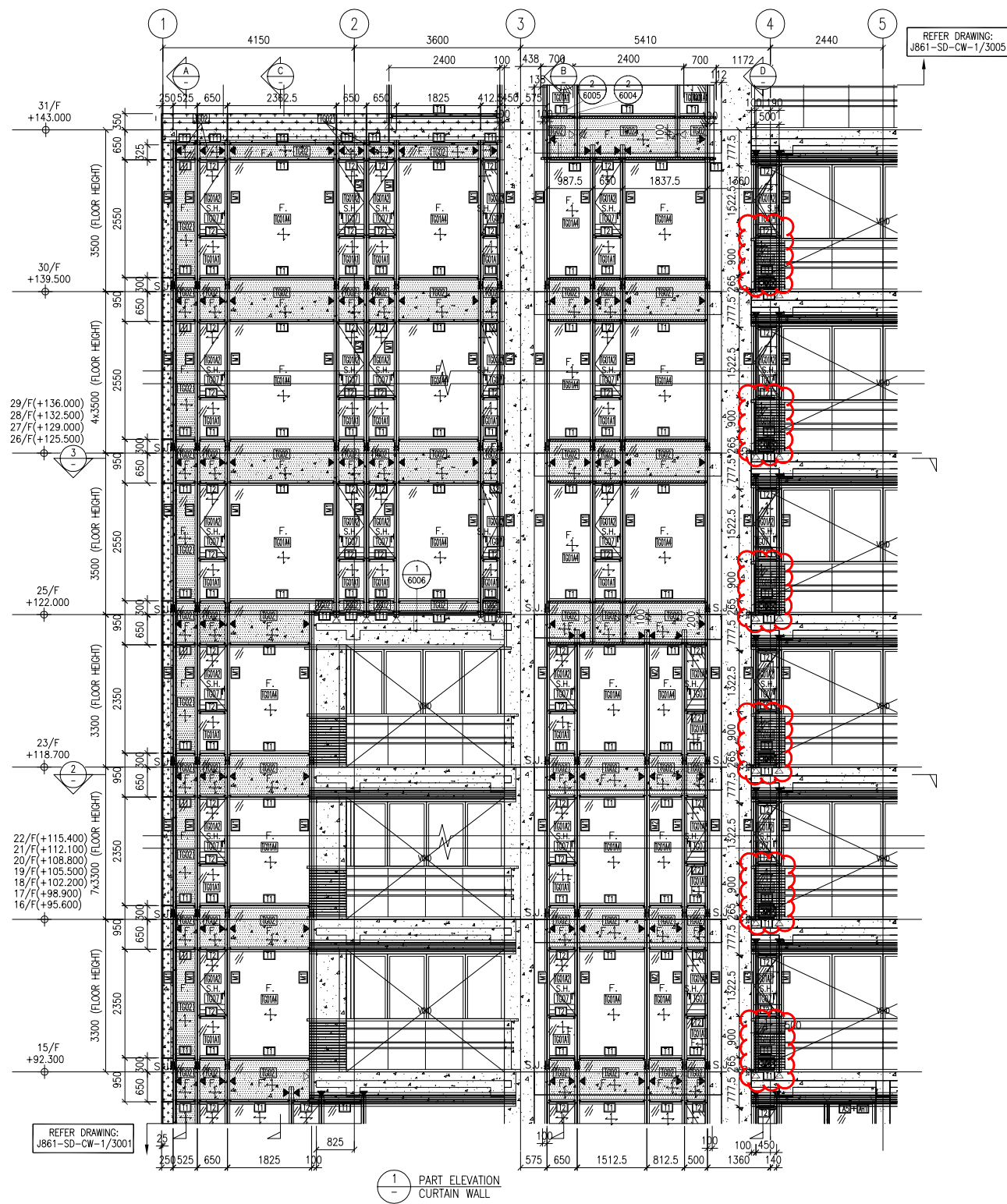
JOB NO. : J-861

PROJECT :
PROPOSED RESIDENTIAL DEVELOPMENT AT NOS. 3-6 GLENEALY, CENTRAL, HONG KONG

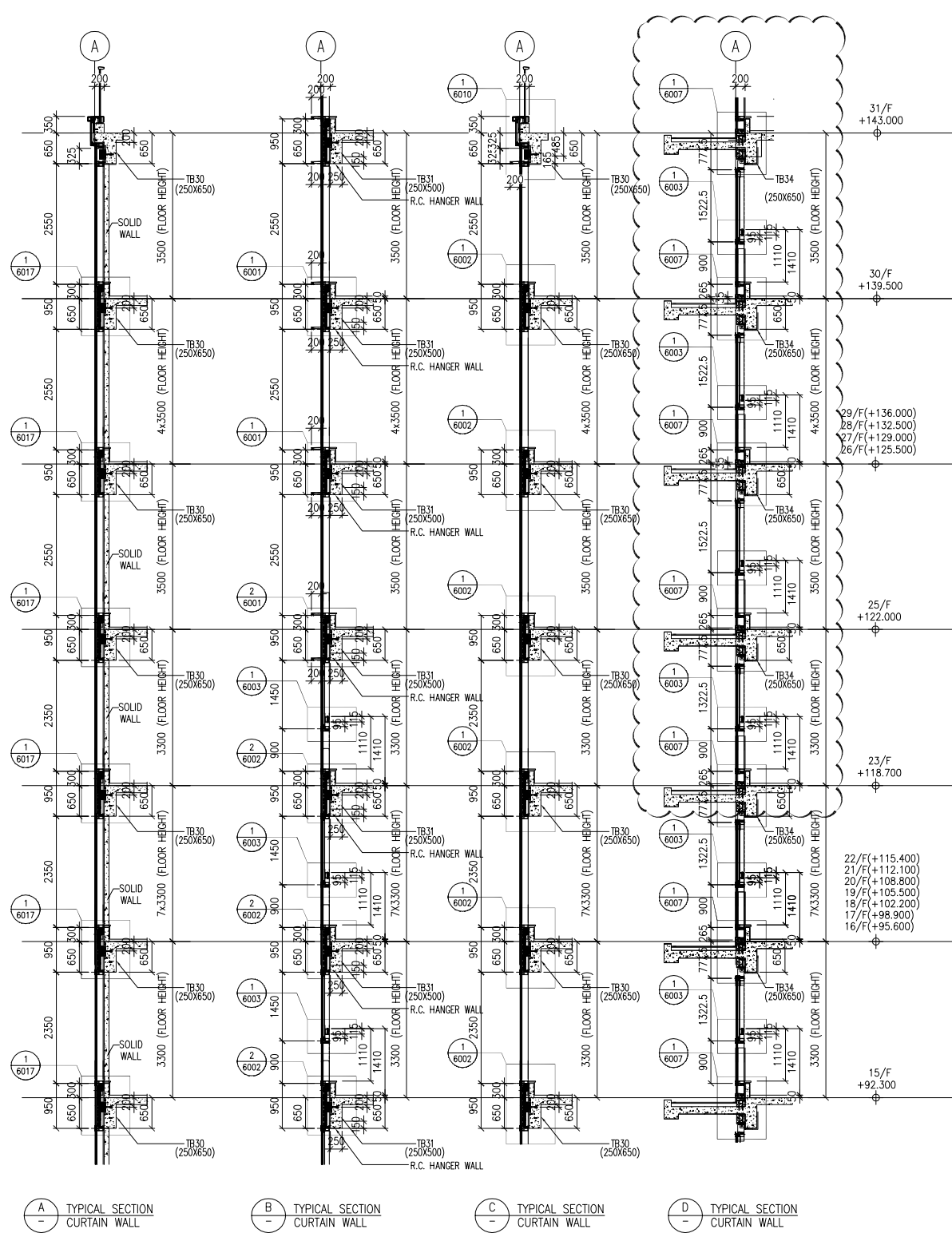
TITLE :
PART ELEVATION FOR CURTAIN WALL

DATE : 06-Sep.-24	SCALE : 1:60(A1)
DRAWN BY : Asing	CHECKED BY :
DWG NO. : J861-SD-CW-3002	REV. : B

WONG TUNG & PARTNERS LTD.
APPROVED
APPROVED AS NOTED
APPROVED AS NOTED & RESUBMIT
RESUBMIT
NO COMMENT
REFER OTHER CONSULTANT'S COMMENTS
Reviewed for compliance with the design intent. Comments made shall apply to all similar conditions & details, not just the ones cited.
The approval shall not be construed as relieving the contractor for compliance with the contract documents & requirements.
Reviewed By: _____ Date: _____



1 PART ELEVATION CURTAIN WALL

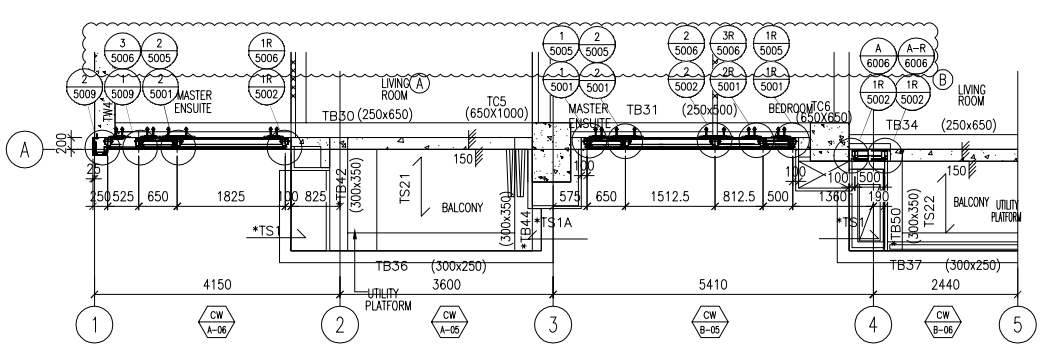


A TYPICAL SECTION CURTAIN WALL

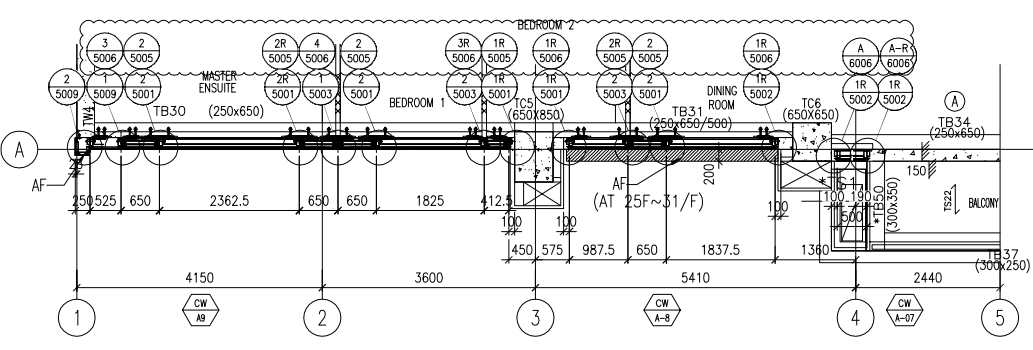
B TYPICAL SECTION CURTAIN WALL

C TYPICAL SECTION CURTAIN WALL

D TYPICAL SECTION CURTAIN WALL



2 PART PLAN CURTAIN WALL



3 PART PLAN CURTAIN WALL

- LEGEND :**
- TG01A1 8mm HEAT STRENGTHENED GLASS + 12mm AIR SPACE + 10mm TEMPERED GLASS (IGU)
 - TG01A2 8mm HEAT STRENGTHENED GLASS + 12mm AIR SPACE + 8mm TEMPERED GLASS (IGU)
 - TG01A3 8mm HEAT STRENGTHENED GLASS WITH (FROSTED) AT SURFACE #3 + 12mm AIR SPACE + 10mm TEMPERED GLASS (IGU)
 - TG01A4 8mm HEAT STRENGTHENED GLASS + 12mm AIR SPACE + 12mm TEMPERED GLASS (IGU)
 - TG02 12mm HEAT STRENGTHENED GLASS W/2mm THK. ALUM. BACK PANEL
 - TG07 10mm CLEAR TEMPERED GLASS
 - :TW05: 3mm THK ALUM. CLADDING DARK GREY COLOUR CODE: KM3E97023C (*ALL CURTAIN WALL MULLION & TRANSOM FRAME IN DARK GREY COLOUR)
- F. - FIXED GLASS
 S.H. - SIDE HUNG OPENABLE WINDOW
 ◀ - SUPPORT POINT (WIND LOAD + DEAD LOAD)
 ◁ - SUPPORT POINT (WIND LOAD)
 S.J. - STACK JOINT REF TO J861-SD-CW-5016

NOTE :

- ALL DIMENSIONS ARE IN mm.
- ALL ELEVATIONS ARE VIEWED FROM OUTSIDE.
- ALL DIMENSIONS TO BE VERIFIED ON SITE BEFORE FABRICATION.

LEGEND :

- (X1) - DETAIL MARK NO.
- (X001) - REFER SHEET NO.

- F.F.L. --- FINISHED FLOOR LEVEL
- S.F.L. --- STRUCTURAL FLOOR LEVEL
- (R) --- REVERSED DETAIL

NO.	DATE	REVISION	BY
B	8/11/2024	GENERAL REVISED	
A	16/9/2024	GENERAL REVISED	

CLIENT :
MILLION BASE PROPERTIES LIMITED

ARCHITECT :
WONG TUNG & PARTNERS LIMITED
ARCHITECTS & PLANNERS

STRUCTURAL ENGINEER :
SYW & ASSOCIATES LTD.
SYW 謝偉業建築工程師

MAIN CONTRACTOR :
顯利工程有限公司
HIEN LEE ENGINEERING CO., LTD.

美特鋁質有限公司
MIDI ALUMINIUM FABRICATOR LTD.
Units 6-8, Sunray Industrial Centre, 1/F
610 Cha Kwo Ling Road, Kowloon
Tel: 23489211-4 Fax: (852) 27727666

JOB NO. : J-861

PROJECT :
PROPOSED RESIDENTIAL DEVELOPMENT AT NOS. 3-6 GLENEALY, CENTRAL, HONG KONG

TITLE :
PART ELEVATION FOR CURTAIN WALL

DATE : 06-Sep.-24	SCALE : 1:60(A1)
DRAWN BY : Asing	CHECKED BY :
DWG NO. : J861-SD-CW-3003	REV. : B

WONG TUNG & PARTNERS LTD.

APPROVED

APPROVED AS NOTED

APPROVED AS NOTED & RESUBMIT

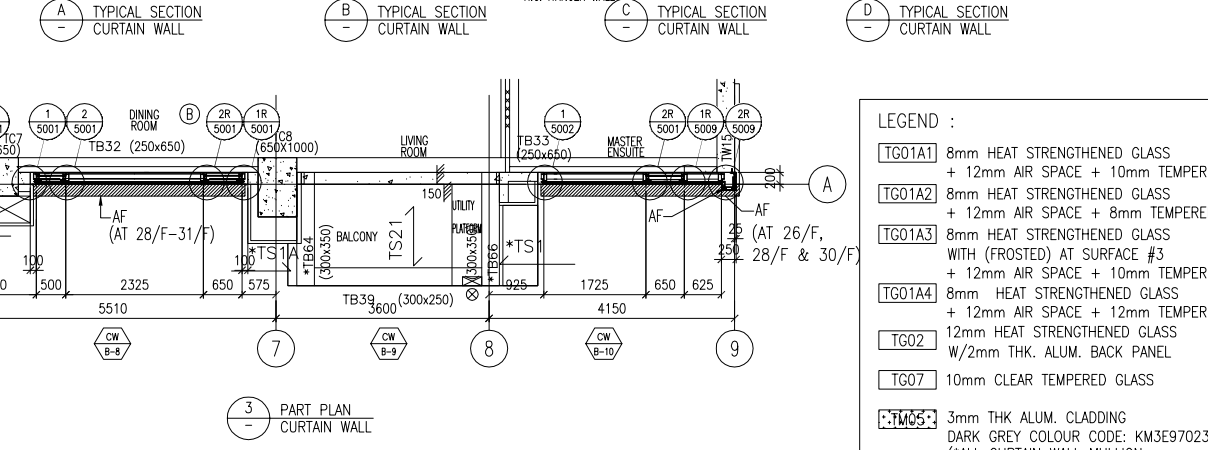
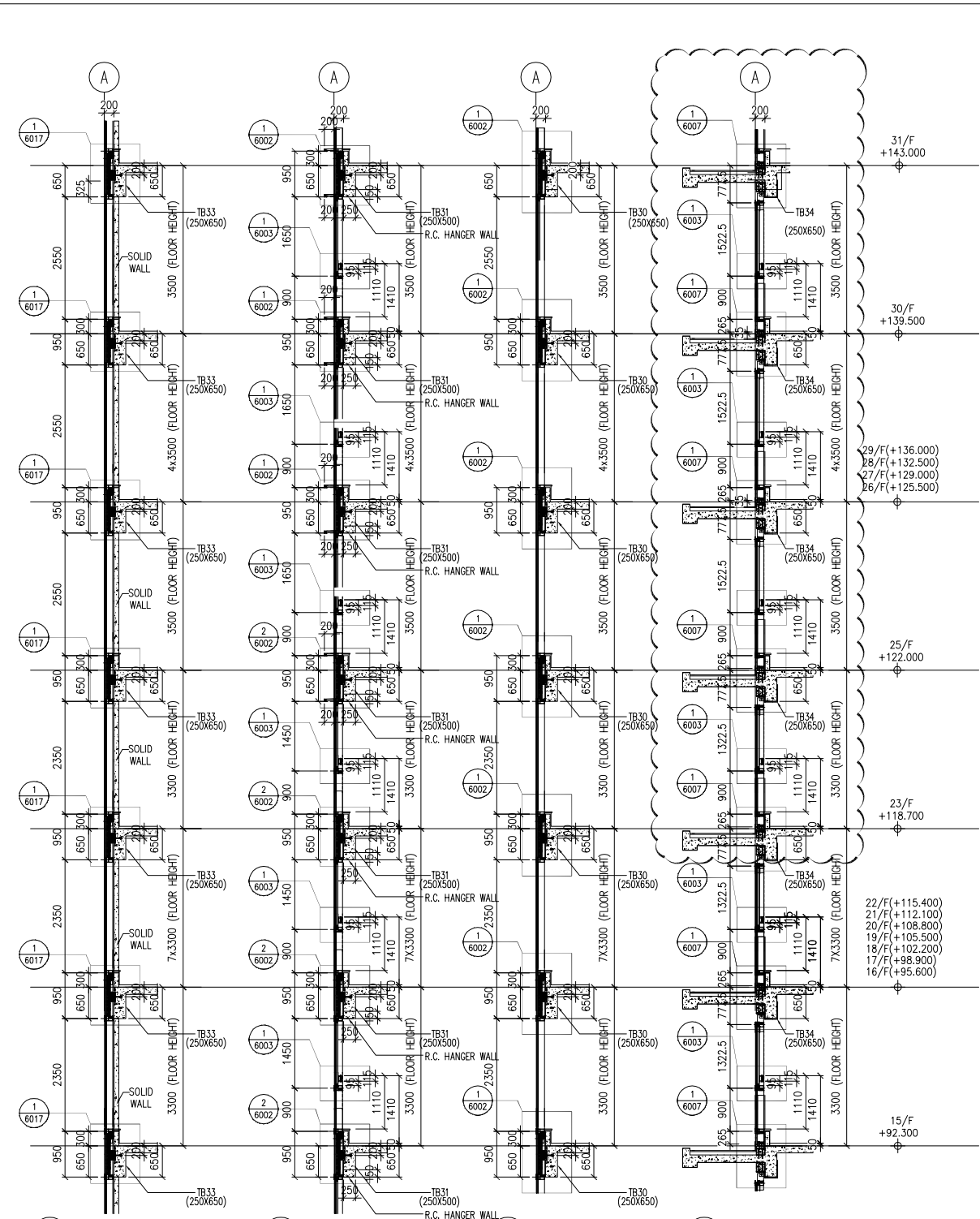
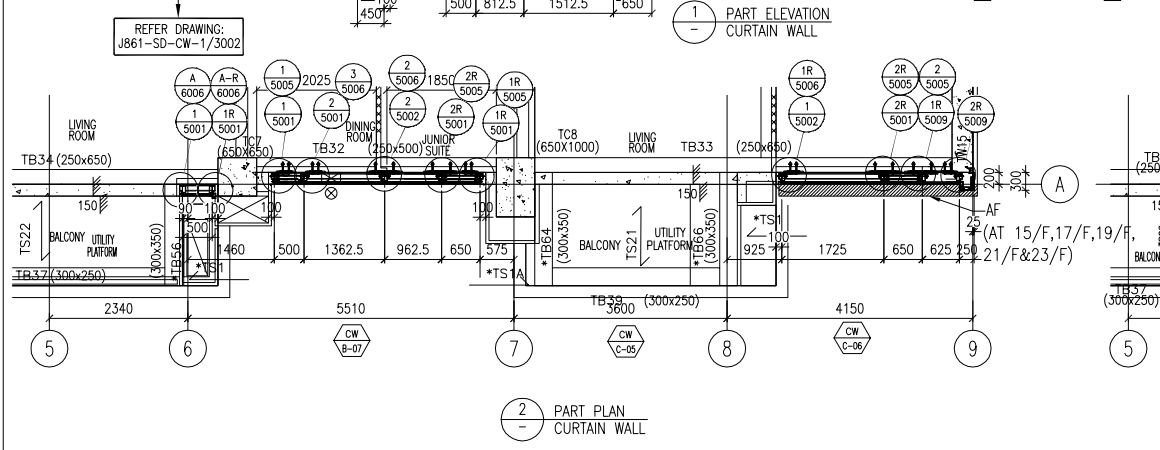
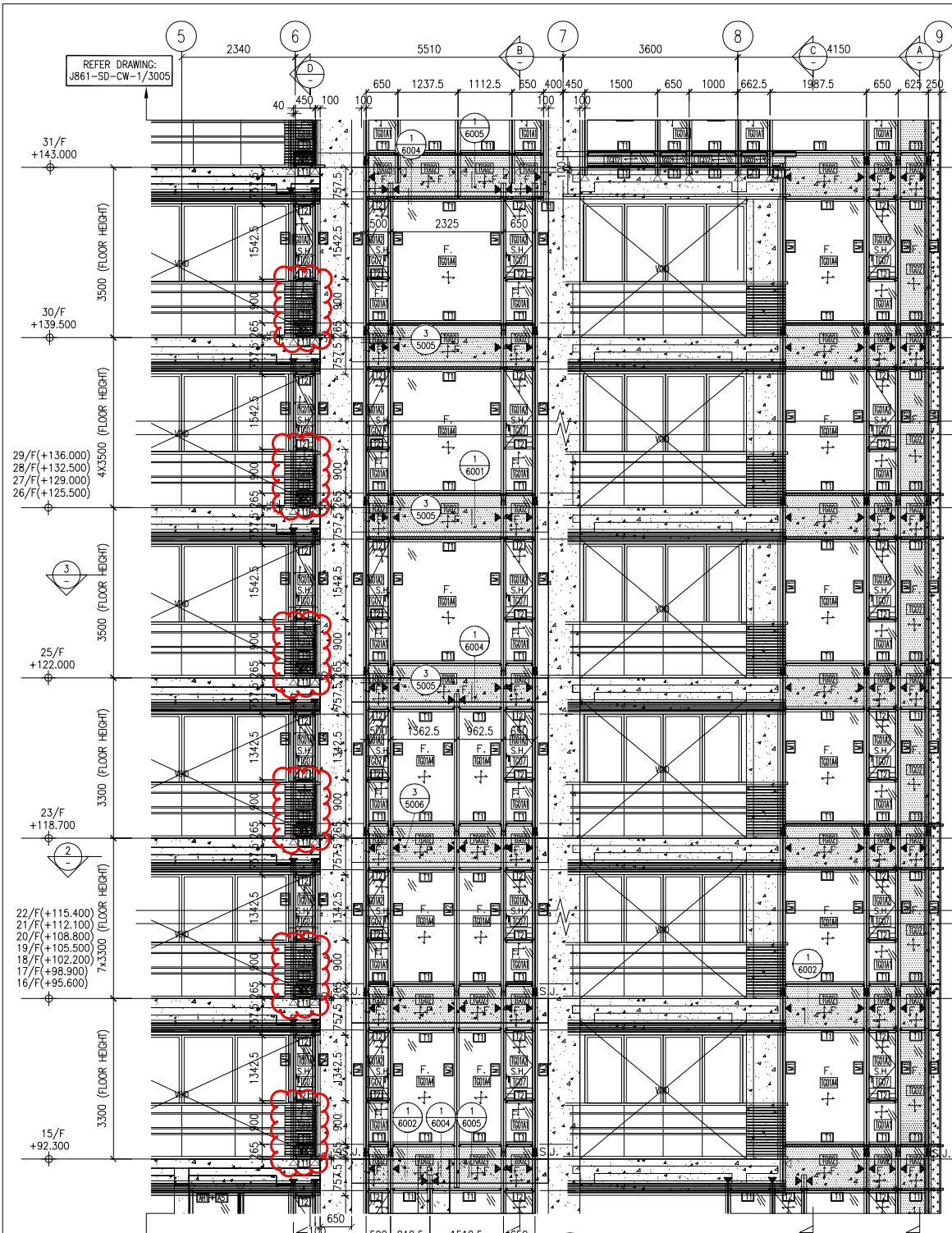
RESUBMIT

NO COMMENT

REFER OTHER CONSULTANT'S COMMENTS

Reviewed for compliance with the design intent. Comments made shall apply to all similar conditions & details, not just the ones cited. The approval shall not be construed as relieving the contractor for compliance with the contract documents & requirements.

Reviewed By: _____ Date: _____



- LEGEND :**
- TG01A1 8mm HEAT STRENGTHENED GLASS + 12mm AIR SPACE + 10mm TEMPERED GLASS (IGU)
 - TG01A2 8mm HEAT STRENGTHENED GLASS + 12mm AIR SPACE + 8mm TEMPERED GLASS (IGU)
 - TG01A3 8mm HEAT STRENGTHENED GLASS WITH (FROSTED) AT SURFACE #3 + 12mm AIR SPACE + 10mm TEMPERED GLASS (IGU)
 - TG01A4 8mm HEAT STRENGTHENED GLASS + 12mm AIR SPACE + 12mm TEMPERED GLASS (IGU)
 - TG02 12mm HEAT STRENGTHENED GLASS W/2mm THK. ALUM. BACK PANEL
 - TG07 10mm CLEAR TEMPERED GLASS
 - TW05 3mm THK ALUM. CLADDING DARK GREY COLOUR CODE: KM3E97023C (*ALL CURTAIN WALL MULLION & TRANSOM FRAME IN DARK GREY COLOUR)
- F. - FIXED GLASS
 S.H. - SIDE HUNG OPENABLE WINDOW
 ◀ - SUPPORT POINT (WIND LOAD + DEAD LOAD)
 ◁ - SUPPORT POINT (WIND LOAD)
 S.J. - STACK JOINT REF TO J861-SD-CW-5016

NOTE :

- ALL DIMENSIONS ARE IN mm.
- ALL ELEVATIONS ARE VIEWED FROM OUTSIDE.
- ALL DIMENSIONS TO BE VERIFIED ON SITE BEFORE FABRICATION.

LEGEND :

(X1) - DETAIL MARK NO.
 (X001) - REFER SHEET NO.

- F.F.L. --- FINISHED FLOOR LEVEL
- S.F.L. --- STRUCTURAL FLOOR LEVEL
- (R) --- REVERSED DETAIL

B	8/11/2024	GENERAL REVISED	
A	16/9/2024	GENERAL REVISED	
NO.	DATE	REVISED	BY

CLIENT : MILLION BASE PROPERTIES LIMITED

ARCHITECT : WONG TUNG & PARTNERS LIMITED ARCHITECTS & PLANNERS

STRUCTURAL ENGINEER : SYW & ASSOCIATES LTD. 鄧賢偉建築工程師

MAIN CONTRACTOR : 顯利工程有限公司 HIEN LEE ENGINEERING CO., LTD.

MIDI ALUMINIUM FABRICATOR LTD. Units 6-8, Sunray Industrial Centre, 1/F 610 Cha Kwo Ling Road, Kowloon Tel:23489211-4 Fax:(852)27727666

JOB NO. : J-861

PROJECT : PROPOSED RESIDENTIAL DEVELOPMENT AT NOS. 3-6 GLENEALY, CENTRAL, HONG KONG

TITLE : PART ELEVATION FOR CURTAIN WALL

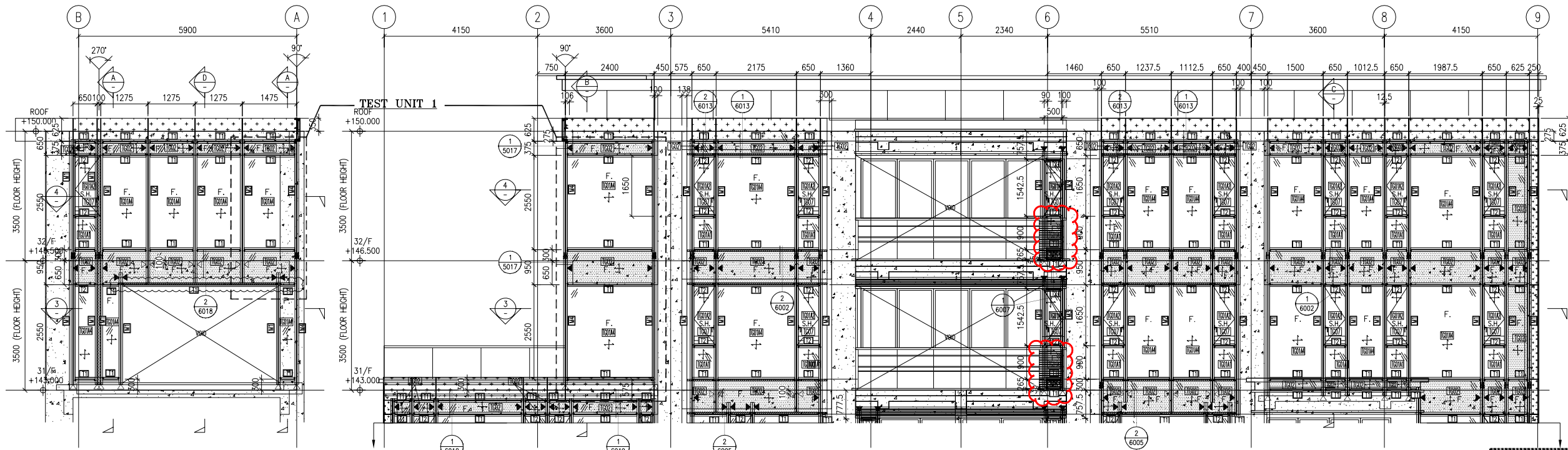
DATE : 06-Sep.-24	SCALE : 1:60(A1)
DRAWN BY : Asing	CHECKED BY :
DWG NO. : J861-SD-CW-3004	REV. : B

WONG TUNG & PARTNERS LTD.

APPROVED
 APPROVED AS NOTED
 APPROVED AS NOTED & RESUBMIT
 RESUBMIT
 NO COMMENT
 REFER OTHER CONSULTANT'S COMMENTS

Reviewed for compliance with the design intent. Comments made shall apply to all similar conditions & details, not just the ones cited. The approval shall not be construed as relieving the contractor for compliance with the contract documents & requirements.

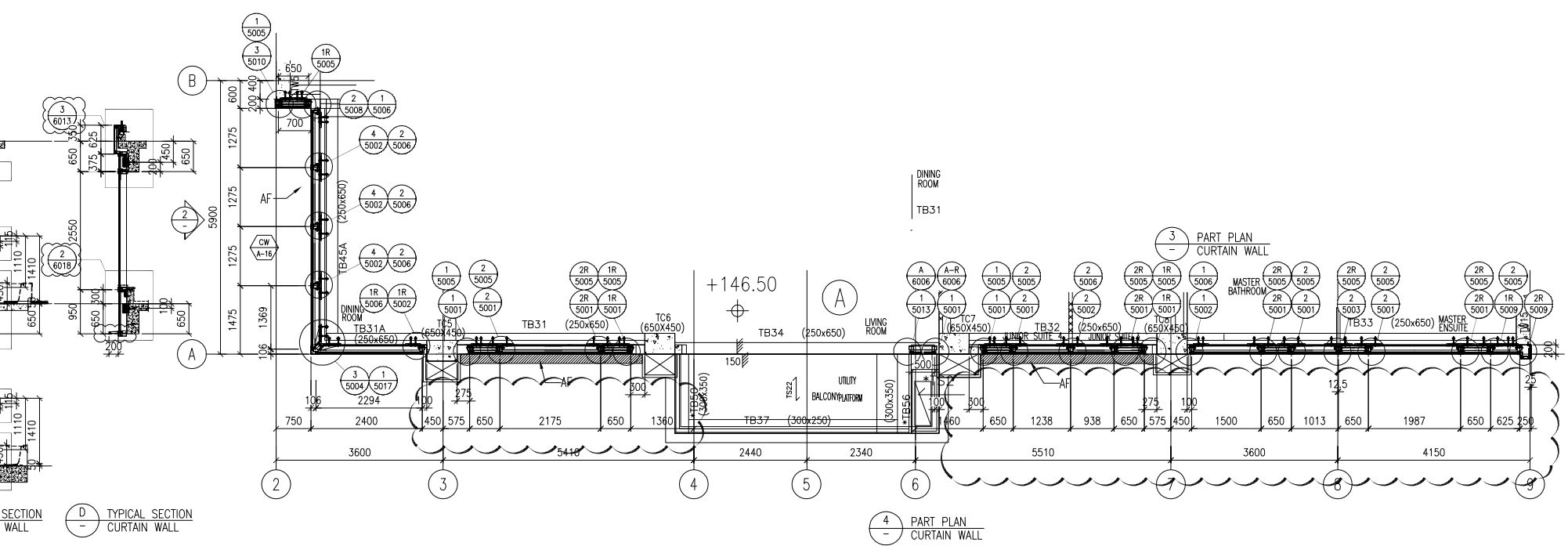
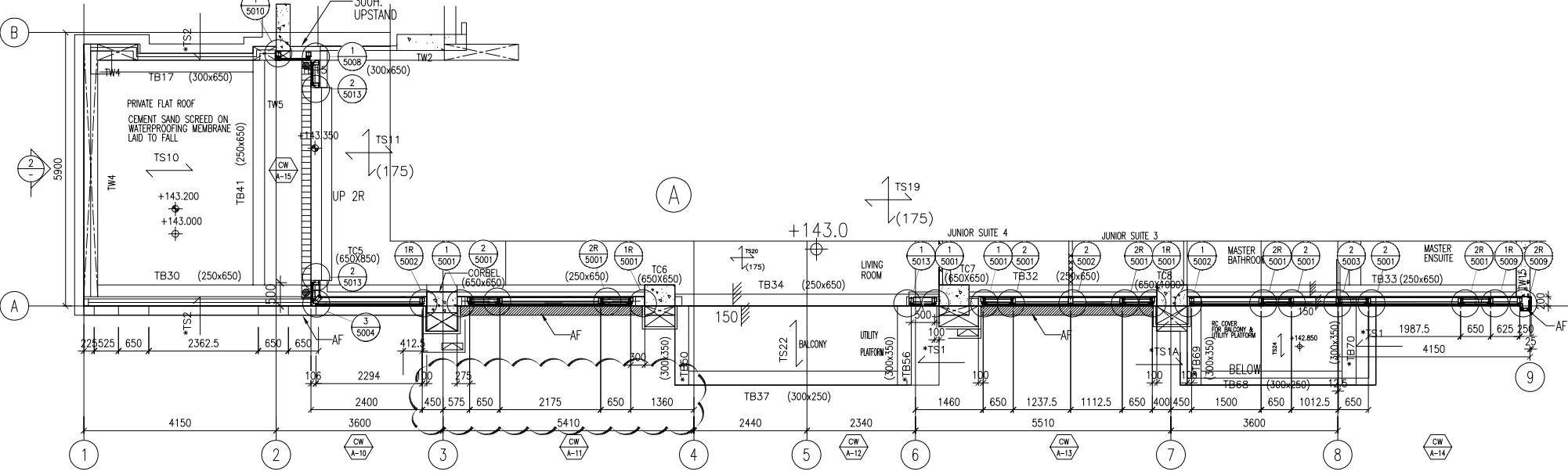
Reviewed By: _____ Date: _____



2 PART ELEVATION CURTAIN WALL

1 PART ELEVATION CURTAIN WALL

REFER DRAWING: J861-SD-CW-1/3004



A TYPICAL SECTION CURTAIN WALL

B TYPICAL SECTION CURTAIN WALL

C TYPICAL SECTION CURTAIN WALL

D TYPICAL SECTION CURTAIN WALL

3 PART PLAN CURTAIN WALL

4 PART PLAN CURTAIN WALL

- LEGEND :**
- TG01A1 8mm HEAT STRENGTHENED GLASS + 12mm AIR SPACE + 10mm TEMPERED GLASS (IGU)
 - TG01A2 8mm HEAT STRENGTHENED GLASS + 12mm AIR SPACE + 8mm TEMPERED GLASS (IGU)
 - TG01A3 8mm HEAT STRENGTHENED GLASS WITH (FROSTED) AT SURFACE #3 + 12mm AIR SPACE + 10mm TEMPERED GLASS (IGU)
 - TG01A4 8mm HEAT STRENGTHENED GLASS + 12mm AIR SPACE + 12mm TEMPERED GLASS (IGU)
 - TG02 12mm HEAT STRENGTHENED GLASS W/2mm THK. ALUM. BACK PANEL
 - TG07 10mm CLEAR TEMPERED GLASS
 - TM05 3mm THK ALUM. CLADDING DARK GREY COLOUR CODE: KM3E97023C (*ALL CURTAIN WALL MULLION & TRANSOM FRAME IN DARK GREY COLOUR)
 - F. - FIXED GLASS
 - S.H. - SIDE HUNG OPENABLE WINDOW
 - ▲ - SUPPORT POINT (WIND LOAD + DEAD LOAD)
 - ◁ - SUPPORT POINT (WIND LOAD)
 - S.J. -STACK JOINT REF TO J861-SD-CW-5016

NOTE :

- ALL DIMENSIONS ARE IN mm.
- ALL ELEVATIONS ARE VIEWED FROM OUTSIDE.
- ALL DIMENSIONS TO BE VERIFIED ON SITE BEFORE FABRICATION.

LEGEND :

- X1 - DETAIL MARK NO.
- X001 - REFER SHEET NO.
- 1. F.F.L. --- FINISHED FLOOR LEVEL
- 2. S.F.L. --- STRUCTURAL FLOOR LEVEL
- 3. (R) --- REVERSED DETAIL

B	8/11/2024	GENERAL REVISED
A	16/9/2024	GENERAL REVISED
NO.	DATE	REVISED
		BY

CLIENT :
MILLION BASE PROPERTIES LIMITED

ARCHITECT :
WONG TUNG & PARTNERS LIMITED
ARCHITECTS & PLANNERS

STRUCTURAL ENGINEER :
SYW & ASSOCIATES LTD.
CORPORATE ENGINEERING & MULTIDISCIPLINARY
鄧賢偉建築工程師

MAIN CONTRACTOR :
顯利工程有限公司
HIEN LEE ENGINEERING CO., LTD.

美特鋁質有限公司
MIDI ALUMINIUM FABRICATOR LTD.
Units 6-8, Sunray Industrial Centre, 1/F
610 Cha Kwo Ling Road, Kowloon
Tel:23489211-4 Fax:(852)27727666

JOB NO. : J-861

PROJECT :
PROPOSED RESIDENDIAL DEVELOPMENT AT NOS. 3-6 GLENEALY, CENTRAL, HONG KONG

TITLE :
PART ELEVATION FOR CURTAIN WALL

DATE : 06-Sep.-24	SCALE : 1:60(A1)
DRAWN BY : Asing	CHECKED BY :
DWG NO. : J861-SD-CW-3005	REV. : B

WONG TUNG & PARTNERS LTD.

APPROVED

APPROVED AS NOTED

APPROVED AS NOTED & RESUBMIT

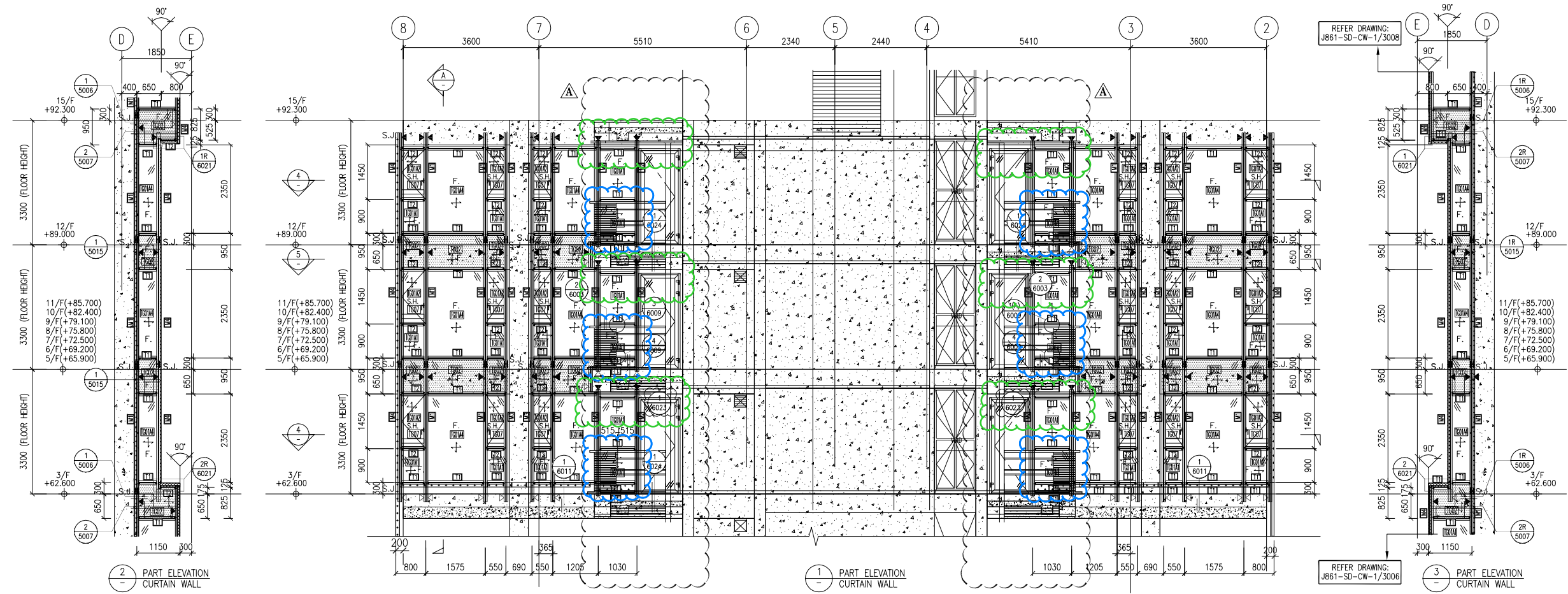
RESUBMIT

NO COMMENT

REFER OTHER CONSULTANT'S COMMENTS

Reviewed for compliance with the design intent. Comments made shall apply to all similar conditions & details, not just the ones cited. The approval shall not be construed as relieving the contractor for compliance with the contract documents & requirements.

Reviewed By: _____ Date: _____



NOTE :
 1. ALL DIMENSIONS ARE IN mm.
 2. ALL ELEVATIONS ARE VIEWED FROM OUTSIDE.
 3. ALL DIMENSIONS TO BE VERIFIED ON SITE BEFORE FABRICATION.

LEGEND :
 X1 — DETAIL MARK NO.
 X001 — REFER SHEET NO.

1. F.F.L. — FINISHED FLOOR LEVEL
 2. S.F.L. — STRUCTURAL FLOOR LEVEL
 3. (R) — REVERSED DETAIL

B	8/11/2024	GENERAL REVISED	
A	16/9/2024	GENERAL REVISED	
NO.	DATE	REVISED	BY

CLIENT :
 MILLION BASE PROPERTIES LIMITED

ARCHITECT :
 WONG TUNG & PARTNERS LIMITED
 ARCHITECTS & PLANNERS

STRUCTURAL ENGINEER :
 SYW & ASSOCIATES LTD.
 鄧賢偉建築工程師

MAIN CONTRACTOR :
 顯利工程有限公司
 HIEN LEE ENGINEERING CO., LTD.

美特鋁質有限公司
 MIDI ALUMINIUM FABRICATOR LTD.
 Units 6-8, Sunray Industrial Centre, 1/F
 610 Cha Kwo Ling Road, Kowloon
 Tel:23489211-4 Fax:(852)2727666

JOB NO. : J-861

PROJECT :
 PROPOSED RESIDENTIAL
 DEVELOPMENT AT NOS. 3-6
 GLENEALY, CENTRAL, HONG KONG

TITLE :
 PART ELEVATION
 FOR CURTAIN WALL

DATE : 06-Sep.-24 **SCALE :** 1:60(A1)

DRAWN BY : Asing **CHECKED BY :**

DWG NO. : J861-SD-CW-3007 **REV. :** B

LEGEND :

- TCG01A1 8mm HEAT STRENGTHENED GLASS + 12mm AIR SPACE + 10mm TEMPERED GLASS (IGU)
- TCG01A2 8mm HEAT STRENGTHENED GLASS + 12mm AIR SPACE + 8mm TEMPERED GLASS (IGU)
- TCG01A3 8mm HEAT STRENGTHENED GLASS WITH (FROSTED) AT SURFACE #3 + 12mm AIR SPACE + 10mm TEMPERED GLASS (IGU)
- TCG01A4 8mm HEAT STRENGTHENED GLASS + 12mm AIR SPACE + 12mm TEMPERED GLASS (IGU)
- TCG02 12mm HEAT STRENGTHENED GLASS W/2mm THK. ALUM. BACK PANEL
- TCG07 10mm CLEAR TEMPERED GLASS
- TCM05 3mm THK ALUM. CLADDING DARK GREY COLOUR CODE: KM3E97023C (*ALL CURTAIN WALL MULLION & TRANSOM FRAME IN DARK GREY COLOUR)

F. — FIXED GLASS
 S.H. — SIDE HUNG OPENABLE WINDOW
 ▲ — SUPPORT POINT (WIND LOAD + DEAD LOAD)
 ◀ — SUPPORT POINT (WIND LOAD)
 S.J. — STACK JOINT REF TO J861-SD-CW-5016

WONG TUNG & PARTNERS LTD.	
APPROVED	
APPROVED AS NOTED	
APPROVED AS NOTED & RESUBMIT	
RESUBMIT	
NO COMMENT	
REFER OTHER CONSULTANT'S COMMENTS	
Reviewed for compliance with the design intent. Comments made shall apply to all similar conditions & details, not just the ones cited. The approval shall not be construed as relieving the contractor for compliance with the contract documents & requirements.	
Reviewed By	Date