



工程指示 / 要求簡箋 ENGINEER INSTRUCTIONS(E.I.)

工程指示編號:	EI- 8777	修改版本:	1
	HK- 0275		
工程編號:	J 861	工程名稱:	己連拿利
收件人:	生統/技術部	發件人:	細佬
工程項目:	幕牆吊船扣	日期:	02/04/2025

<input type="checkbox"/> 原合約工程包	<input type="checkbox"/> 原合約工程加 / 減賬 QT-	<input type="checkbox"/> 新工程報價 QT-
---------------------------------	--	------------------------------------

信件批核號碼/圖紙參考編號:	批核模具圖紙編號:
客戶指示附件:	管理內部批簽署:

<input type="checkbox"/> 初步鋁料 B.M.	<input type="checkbox"/> 加工拆圖, 然後生產	<input type="checkbox"/> 尺寸表
<input type="checkbox"/> 正式鋁料 B.M.	<input type="checkbox"/> 技術上資料/指示	<input type="checkbox"/> 報價
<input type="checkbox"/> 配件 B.M.	<input type="checkbox"/> 樣辦或貨品說明書	<input type="checkbox"/> 分判合約
<input type="checkbox"/> 其他:		


內容:	給技術部: 請看附頁幕牆吊船扣的資料, 並修改有關的加工圖。 CAD文件在以下位置 J:\midi_sharepoint\Public\to_china\謝永林\J861\EI8777I_HK0275
完成上列要求日期:	09/04/2025

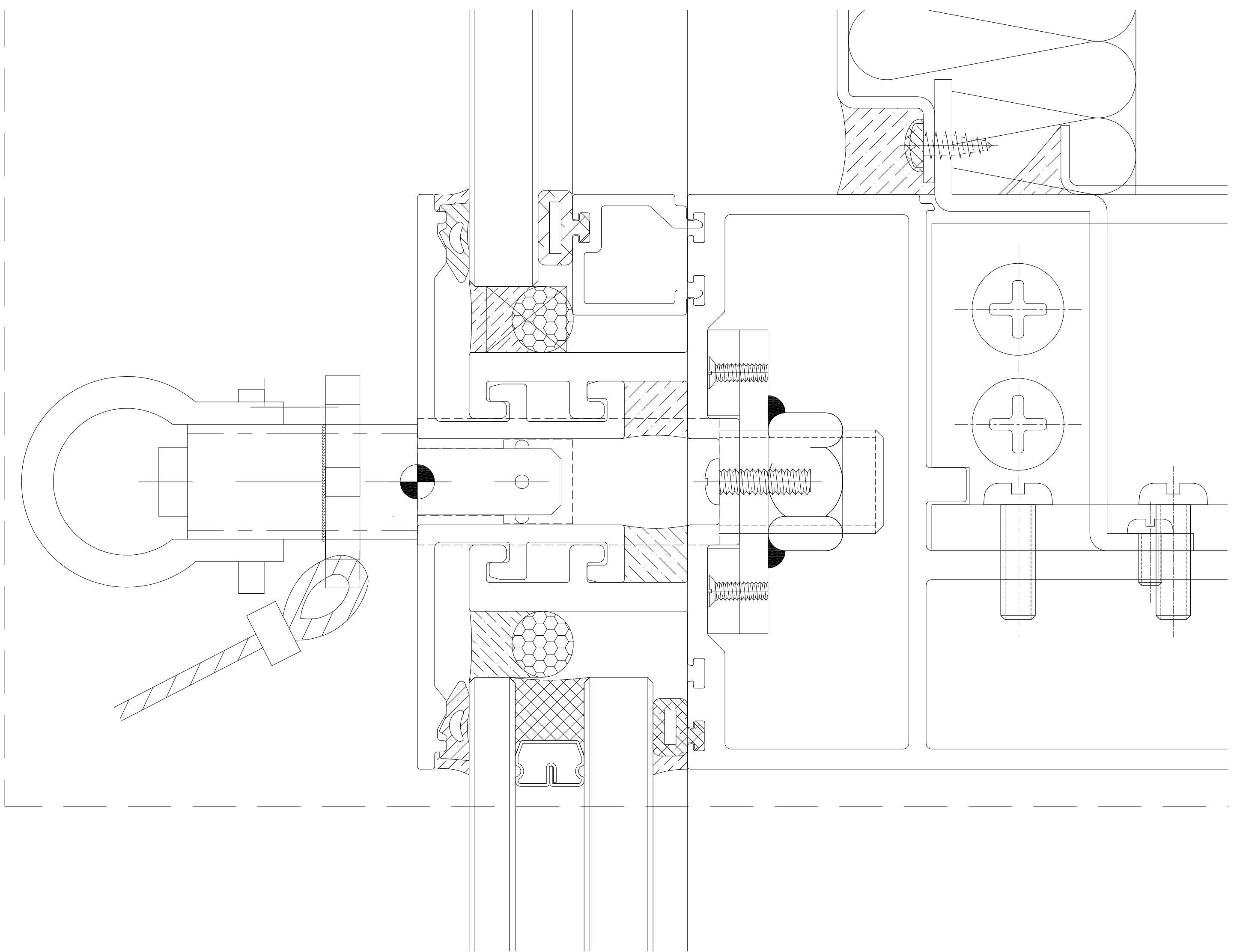
國內

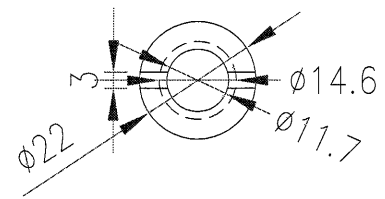
<input type="checkbox"/> 生產技術總監	<input type="checkbox"/> 連附件	<input checked="" type="checkbox"/> 技術部	<input checked="" type="checkbox"/> 連附件	<input type="checkbox"/> 生產部	<input type="checkbox"/> 連附件
<input type="checkbox"/> 採購部	<input type="checkbox"/> 連附件	<input checked="" type="checkbox"/> 生產統籌部	<input checked="" type="checkbox"/> 連附件	<input type="checkbox"/> 報關組	<input type="checkbox"/> 連附件
<input type="checkbox"/> 質檢部	<input type="checkbox"/> 連附件	<input type="checkbox"/> 會計部	<input type="checkbox"/> 連附件	<input type="checkbox"/> 機械設計部	<input type="checkbox"/> 連附件
<input type="checkbox"/> 香港辦	<input type="checkbox"/> 連附件	<input type="checkbox"/> 其他:			

香港

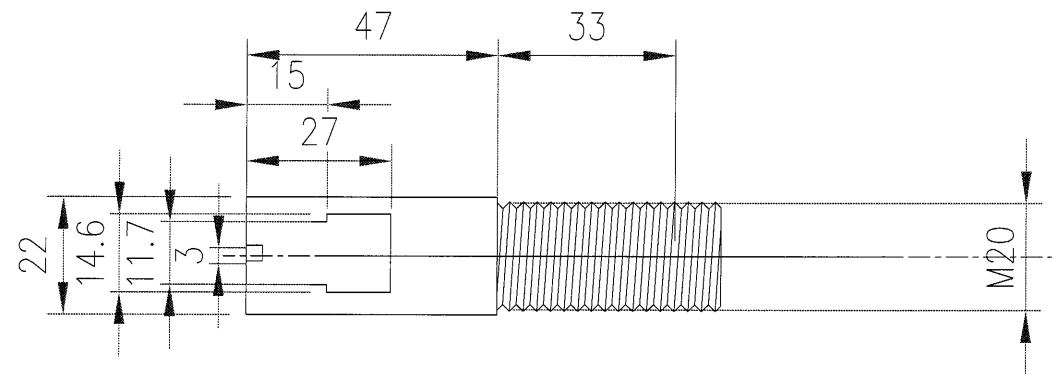
<input type="checkbox"/> 行政部	<input type="checkbox"/> 連附件	<input type="checkbox"/> 會計部	<input type="checkbox"/> 連附件	<input type="checkbox"/> 統籌部	<input type="checkbox"/> 連附件	<input type="checkbox"/> 工程部	<input type="checkbox"/> 連附件
<input type="checkbox"/> 採購部	<input type="checkbox"/> 連附件	<input type="checkbox"/> QS部	<input type="checkbox"/> 連附件	<input type="checkbox"/> 地盤管理	<input type="checkbox"/> 連附件	<input type="checkbox"/> 維修部	<input type="checkbox"/> 連附件

*發件人簽署:	*組別成員批核簽署:
傳遞編號: HK-0275	項目經理簽署: 

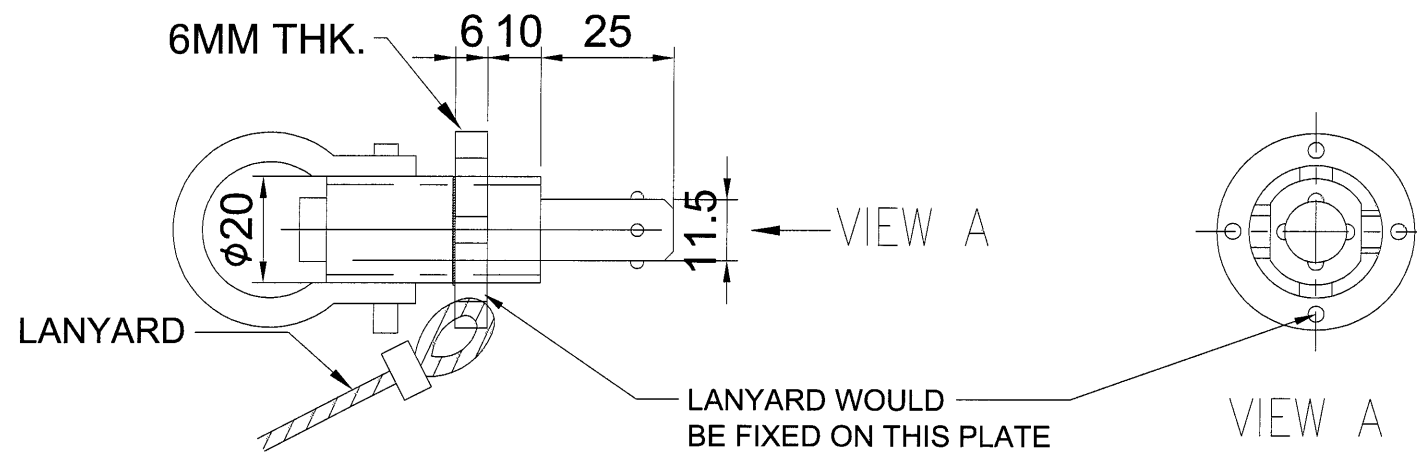




FRONT VIEW



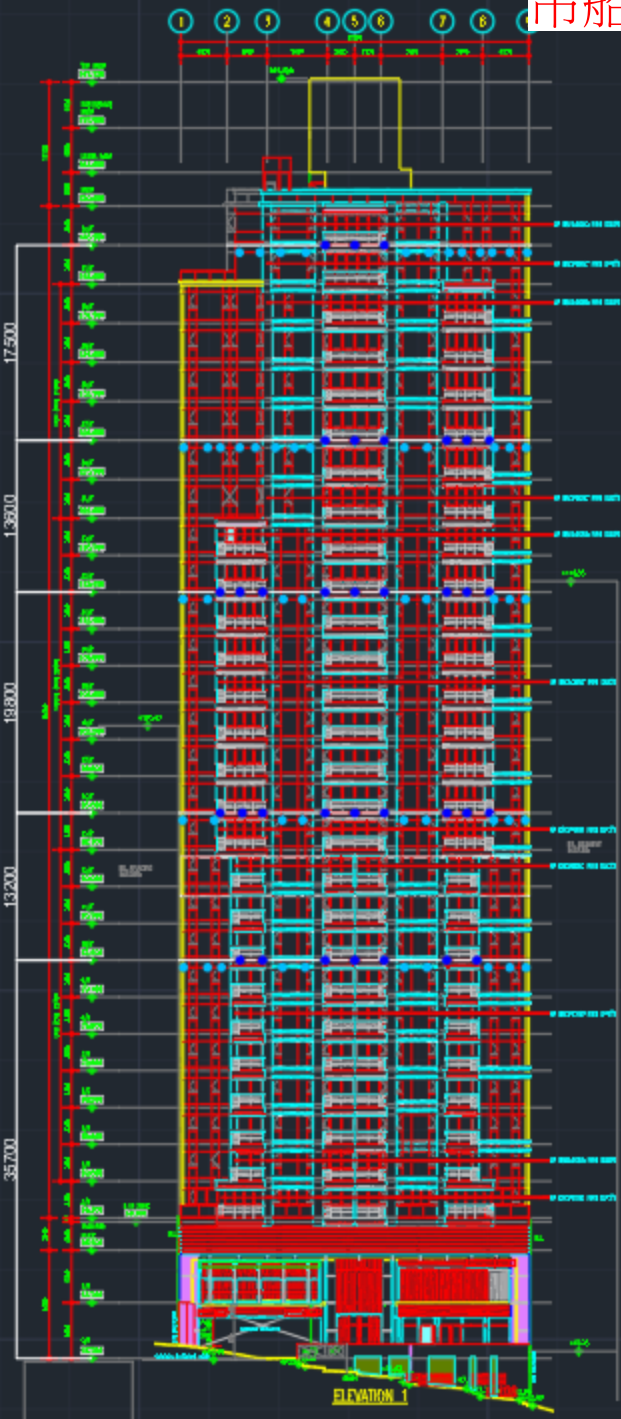
SIDE VIEW



SIDE VIEW

FRONT VIEW

吊船扣在幕牆藍點位置



ELEVATION 1

FOR CURTAIN WALL



ELEVATION 2

FOR CURTAIN WALL

NOTES:
 THE INFORMATION IN THIS PUBLICATION IS OFFERED SOLELY TO PROVIDE A SERVICE. ACME CONTROL SYSTEMS LIMITED SUPPLIES THIS INFORMATION IN GOOD FAITH AND ACCEPTS NO RESPONSIBILITY IN ANY OR HOW EVER ACTED UPON.
 THIS DRAWING IS ONLY INTENDS, HERETOBE WE RESERVE THE RIGHTS, TO AMEND AND CHANGE THE DETAILS SHOWN IN THIS PROPOSAL.
 PAUL, SPECIFICATIONS AND PROPOSALS, WILL BE SOLE UPON APPROVAL OF PURCHASER ORDER. THIS DRAWING REMAINS THE PROPERTY OF ACME CONTROL SYSTEMS LIMITED AND REPRODUCTION IN WHOLE OR PART IS PROHIBITED WITHOUT WRITTEN PERMISSION.
 DRAWING THICKNESS: MIN. 20MM, MAX. 50MM
 ALL DIM IN MM, UNLESS OTHERWISE STATED
 P.C. PAULIN SUPPORT DESIGN TO BE BY OTHER, HOUSE SETTING-OUT SHOULD NOT CLASH WITH CON- IN SLOTTED LOCATION.

REVISIONS:

DATE	REV.	DESCRIPTION
09/02/2024	0	GENERAL DRAWING
03/02/2024	1	REVISED DRAWING
09/02/2024	2	REVISED DRAWING

CLIENT:

PROJECT:

WT
 STRONG TOWER & SERVICE LIMITED
 4/F, 100, Queen's Road, Hong Kong
 Tel: +852 2521 1111
 Fax: +852 2521 1112
 www.wt.com.hk

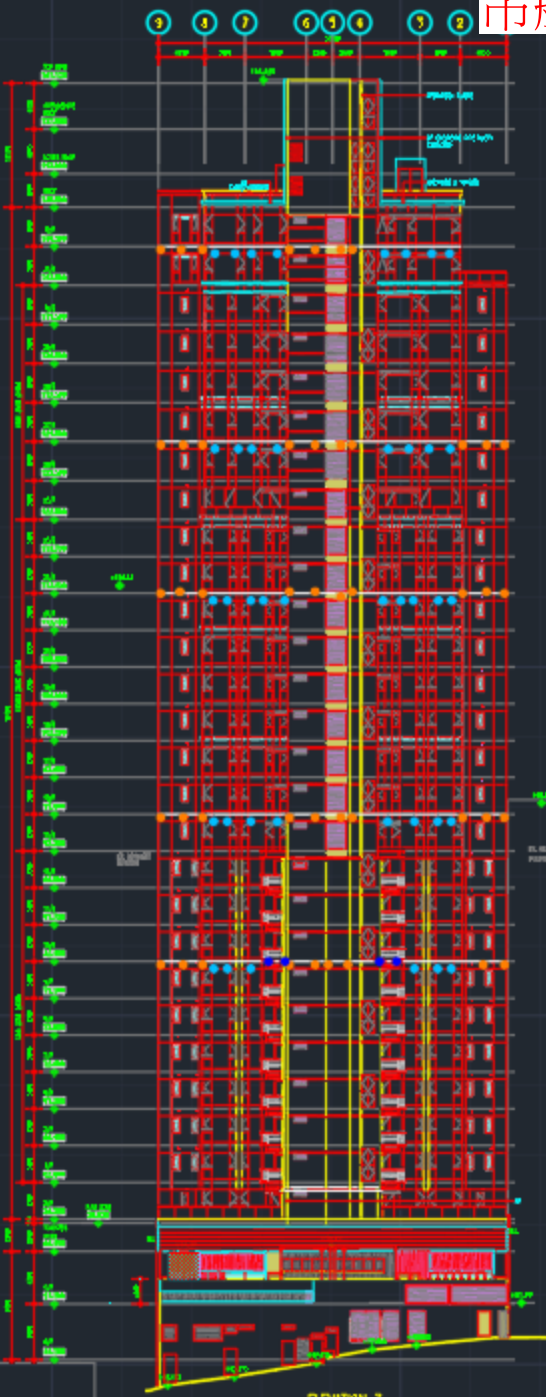
PROJECT:
PROPOSED RESIDENTIAL DEVELOPMENT AT NOS. 3-6 QUEENSLY, HONG KONG

TITLE:
RESISTANT SOCKET ELEVATION (1x2)

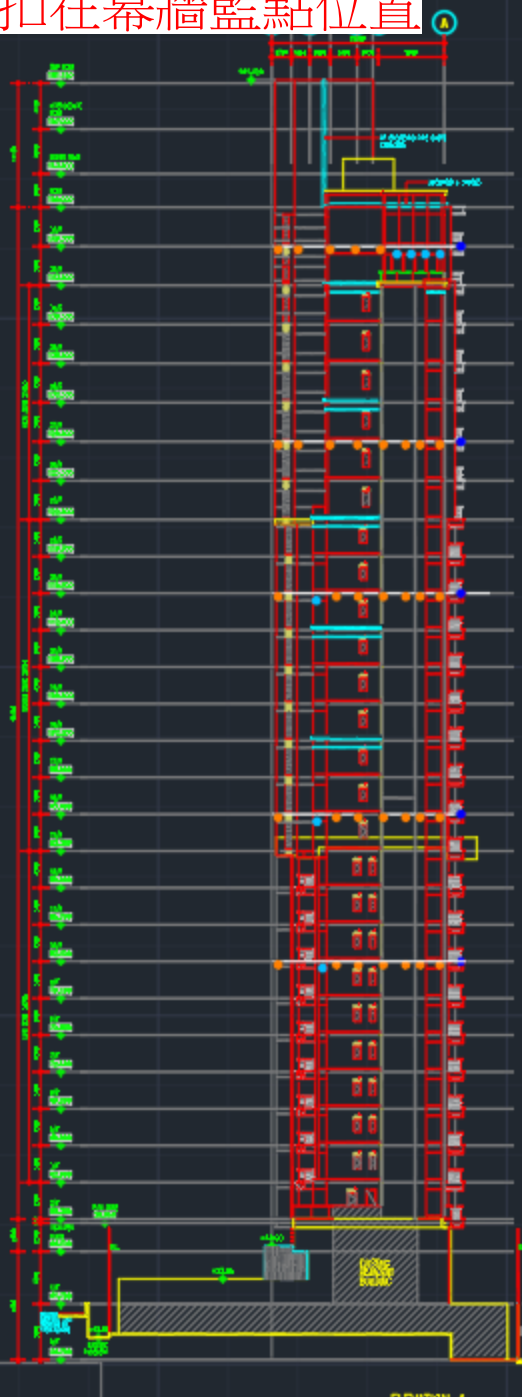
ACME CONTROL SYSTEMS LIMITED
 榮華有限公司
 ACME CONTROL SYSTEMS LIMITED

DATE	21.10.2024
SCALE	1:100
NO.	ACME-1-0419-21-10

吊船扣在幕牆藍點位置



ELEVATION 3
ELEVATION 3
FOR CURTAIN WALL



ELEVATION 4
ELEVATION 4
FOR CURTAIN WALL

NOTES

THE INFORMATION IN THIS PUBLICATION IS OFFERED SOLELY TO PROVIDE A SERVICE. AIGI CONSULTANTS LIMITED SUPPLIES THIS INFORMATION IN GOOD FAITH AND ACCEPTS NO RESPONSIBILITY TO ANY OF THEM WHEN ACTED UPON.

THIS DRAWING IS ONLY INDICATIVE. THEREFORE THE CLIENT SHOULD CHECK THE DESIGN AND CHANGE THE DETAILS SHOWN IN THIS DRAWING.

FINAL SPECIFICATIONS AND DETAILS WILL BE SENT UPON APPROVAL OF PRELIMINARY ORDER.

THIS DRAWING BEHAVES THE PROPERTY OF AIGI CONSULTANTS LIMITED AND REPRODUCTION IN WHOLE OR PART IS PROHIBITED WITHOUT WRITTEN PERMISSION.

COORDINATE THICKNESS: MIN. 20MM, MAX. 50MM

ALL DIM IN MM UNLESS OTHERWISE STATED

R.I. PLUMB SUPPORT SHALL TO BE BY OTHER. REQUIRE SETTING-OUT SHOULD NOT CLASH WITH CRG-IN BOLTS LOCATION.

REVISIONS

DATE	REV.	DESCRIPTION
08/01/2024	0	GENERAL DRAWING
08/01/2024	1	REVISED DRAWING
08/01/2024	2	REVISED DRAWING

CLIENT

ADDRESS:

WT

WING TAI & ASSOCIATES LIMITED
 10/F, 100, Queen's Road East, Hong Kong
 Tel: (852) 2522 8888
 Fax: (852) 2522 8889
 www.wingtai.com.hk

PROJECT:
 PROPOSED RESIDENTIAL DEVELOPMENT
 AT NOS. 3-6 GLENWAY, HONG KONG

TITLE:
 RESISTANT SOCKET ELEVATION
 (3x4)

AIGI CONSULTANTS LIMITED

DATE	23.8.
SCALE	1:100
FILE NO.	WT/24-0419-25-11