



工程指示 / 要求簡箋 ENGINEER INSTRUCTIONS(E.I.)

工程指示編號:	EI- 8555	修改版本:	F
	HK- 2162		
工程編號:	J 861	工程名稱:	己連拿利
收件人:	生統	發件人:	細佬
工程項目:	預制窗施工圖更新	日期:	05/12/2024

<input type="checkbox"/> 原合約工程包	<input type="checkbox"/> 原合約工程加 / 減賬 QT-	<input type="checkbox"/> 新工程報價 QT-
---------------------------------	--	------------------------------------

信件批核號碼/圖紙參考編號:	批核模具圖紙編號:
客戶指示附件:	管理內部批簽署:

<input type="checkbox"/> 初步鋁料 B.M.	<input type="checkbox"/> 加工拆圖, 然後生產	<input type="checkbox"/> 尺寸表
<input type="checkbox"/> 正式鋁料 B.M.	<input type="checkbox"/> 技術上資料/指示	<input type="checkbox"/> 報價
<input type="checkbox"/> 配件 B.M.	<input type="checkbox"/> 樣辦或貨品說明書	<input type="checkbox"/> 分判合約
<input type="checkbox"/> 其他:		

內容: 給技術部: 現附上預制窗施工圖更新, 請按此修改加工圖
完成上列要求日期: 19/12/2024

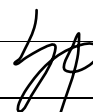
國內

<input type="checkbox"/> 生產技術總監	<input type="checkbox"/> 連附件	<input checked="" type="checkbox"/> 技術部	<input checked="" type="checkbox"/> 連附件	<input type="checkbox"/> 生產部	<input type="checkbox"/> 連附件
<input type="checkbox"/> 採購部	<input type="checkbox"/> 連附件	<input checked="" type="checkbox"/> 生產統籌部	<input checked="" type="checkbox"/> 連附件	<input type="checkbox"/> 報關組	<input type="checkbox"/> 連附件
<input type="checkbox"/> 質檢部	<input type="checkbox"/> 連附件	<input type="checkbox"/> 會計部	<input type="checkbox"/> 連附件	<input type="checkbox"/> 機械設計部	<input type="checkbox"/> 連附件
<input type="checkbox"/> 香港辦	<input type="checkbox"/> 連附件	<input type="checkbox"/> 其他:			

香港

<input type="checkbox"/> 行政部	<input type="checkbox"/> 連附件	<input type="checkbox"/> 會計部	<input type="checkbox"/> 連附件	<input type="checkbox"/> 統籌部	<input type="checkbox"/> 連附件	<input type="checkbox"/> 工程部	<input type="checkbox"/> 連附件
<input type="checkbox"/> 採購部	<input type="checkbox"/> 連附件	<input type="checkbox"/> QS部	<input type="checkbox"/> 連附件	<input type="checkbox"/> 地盤管理	<input type="checkbox"/> 連附件	<input type="checkbox"/> 維修部	<input type="checkbox"/> 連附件

*發件人簽署: 傳遞編號: HK-2162	*組別成員批核簽署: 項目經理簽署:
--------------------------	-----------------------



Date forwarded: Tue, 3 Dec 2024 14:50:27 +0800
Forwarded by: <j861@midiltd.com.hk>
From: Lee Wing Yee Alice <alicewylee@wongtung.com>
To: "j861@midiltd.com.hk" <j861@midiltd.com.hk>,
"sip.hlej372@gmail.com"
<sip.hlej372@gmail.com>
Copies to: WTPL - Glenealy No 3-6 <glenealy3-6@wongtung.com>,
"patrickfok@hienlee.com.hk" <patrickfok@hienlee.com.hk>,
"pf.hlej372@gmail.com" <pf.hlej372@gmail.com>,
"patrick.kw.lam@pcpd.com"
<patrick.kw.lam@pcpd.com>,
"albert.hh.chan@pcpd.com"
<albert.hh.chan@pcpd.com>,
"alice.sk.lo@pcpd.com" <alice.sk.lo@pcpd.com>,
Leong Yat Chen Ally <allyycleong@wongtung.com>,
"michael.kkm.midi@gmail.com"
<michael.kkm.midi@gmail.com>,
"sze@midiltd.com.hk" <sze@midiltd.com.hk>,
"andy.lhw.midi@gmail.com" <andy.lhw.midi@gmail.com>,
"marcotam@midiltd.com.hk" <marcotam@midiltd.com.hk>,
"Chan, David LC"
<David.LC.Chan@pcpd.com>,
"Ferre.YH.Chan@pcpd.com" <Ferre.YH.Chan@pcpd.com>
Subject: RE: Project No.3-6 Glenealy_MC/43139/861 : 6th Shop Drawing
Submission of the Precast Aluminium Window & Louvre
Date sent: Tue, 3 Dec 2024 06:50:02 +0000

Dear HLE,

Please find attached reply to captioned submission.

Best regards,
Alice Lee

WONG TUNG & PARTNERS LIMITED

T +852 2803 9888 D +852 2803 9341 F +852 2513 1728 W <http://www.wongtung.com>
18/F, 14 Taikoo Wan Road, Taikoo Shing, Hong Kong

Please consider the environment before printing this email

Important Notice

This email and any attachments to it may be confidential and are intended solely for the use of the individual(s) to whom it is addressed. If you are not the intended recipient of this email, you must neither take any action based upon its contents, nor copy or show it to anyone. Please contact the sender if you believe you have received this email in error.

From: j861@midiltd.com.hk <j861@midiltd.com.hk>
Sent: Monday, 2 December 2024 4:29 pm
To: sip.hlej372@gmail.com
Cc: WTPL - Glenealy No 3-6 <glenealy3-6@wongtung.com>; patrickfok@hienlee.com.hk;
pf.hlej372@gmail.com; patrick.kw.lam@pcpd.com; albert.hh.chan@pcpd.com;
alice.sk.lo@pcpd.com; Leong Yat Chen Ally <allyycleong@wongtung.com>;
michael.kkm.midi@gmail.com; sze@midiltd.com.hk; andy.lhw.midi@gmail.com;
marcotam@midiltd.com.hk
Subject: Project No.3-6 Glenealy_MC/43139/861 : 6th Shop Drawing Submission of the
Precast Aluminium Window & Louvre

Dear HienLee, Dear Ally,

Please find the 1st Performance Test Shop Drawing Submission of the Curtain Wall at below path for your further action. The CAD are also attached for your reference.

Uploaded:

<https://mch.midiltd.com.hk/public.php?service=files&t=888f9d821e3b80a37d8bdb2e45978def>

password: 8bef29d113

expiration date: 2025-01-02

1) CAD 7 MB

2) PDF 2.3 MB

3) MC43139(F).pdf 207 kB

4) MC43139.pdf 21 kB

Please note that the uploaded files shall be available for 30days only.

Best Regards,

KKW Kung

MIDI Aluminium Fabricator Ltd.

MIDI Aluminium Fabricator Ltd., [Tel:\(852\) 2348 9211](tel:85223489211), Fax:(852) 2772 7666

Disclaimer: The information contained in this e-mail is confidential and is intended solely for the addressee. If you are not the intended recipient, please notify the sender immediately and delete this e-mail from your system. Any unauthorised use, disclosure, copying, printing, forwarding or dissemination of any part of this information is prohibited. MIDI does not accept responsibility for the content of any e-mail transmitted by its staff for any reason other than bona fide business purposes. Any information that is not transmitted via secure tamper-proof technology should not be relied upon, unless advised or agreed otherwise in writing by an authorised representative of MIDI

PROJECT :

PROPOSED RESIDENTIAL DEVELOPMENT AT NOS. 3-6 GLENEALY, CENTRAL, HONG KONG

6

General comments:

- Subject to architectural/statutory compliance;
- This set of drawings shall tally with precast facade shopdrawing;
- exact dimension should be verified on site;

SHOPDRAWING SUBMISSION
PRE-CAST ALUM. WINDOW & LOUVRE

DATE: 29-Nov-2024

 美特鋁質有限公司
MIDI ALUMINIUM FABRICATOR LTD.

Units 6-8, Sunray Industrial Centre, 1/F
610 Cha Kwo Ling Road, Kowloon
Tel:23489211-4 Fax:(852)27727666

DWG NO. : J861-SD-PW-0000 REV. : D

DRAWING SUBMISSION REGISTER

PROJECT: PROPOSED RESIDENTIAL DEVELOPMENT AT NOS. 3-6 GLENEALY, CENTRAL, HONG KONG TITLE: SHOPDRAWING SUBMISSION FOR PRE-CAST ALUM. WINDOW & LOUVER	DATE OF ISSUE							SUBMISSION STATE (FOR B.D / A.S.D)			SUBMISSION STATE (FOR CLIENT / CONSULTANT)			SUBMISSION STATE (FOR ARCHITECT)			FABRICATION / CONSTRUCTION STATE							
	ISSUE	1	2	3	4	5				AP - APPROVED			AP - APPROVED			AP - APPROVED			ISSUE TO CHINA OFFICE		ISSUE TO SITE		ISSUE TO SUB-CONTRACTOR	
	DAY	15	5	9	15	29				AC - APPROVED SUB. TO CONDITION			AC - APPROVED SUB. TO CONDITION			AC - APPROVED SUB. TO CONDITION								
	MONTH	7	9	10	11	11				NA - NOT APPROVED			NA - NOT APPROVED			NA - NOT APPROVED								
	YEAR	24	24	24	24	24																		
DRAWING TITLE	DWG. NO.	REVISIONS							COMMENT DATE	REV.	STATE	COMMENT DATE	REV.	STATE	COMMENT DATE	REV.	STATE	REV.	DATE	REV.	DATE	REV.	DATE	
COVER PAGE	J861-SD-PW-0000	-	A	B	C	D																		
DRAWING REGISTER	J861-SD-PW-0001	-	A	B	C	D																		
GENERAL NOTES FOR PRECAST WINDOW	J861-SD-PW-0011	-	-	-	-	-																		
DIE LIST FOR PRECAST WINDOW 50 SECTION	J861-SD-PW-0021	-	A	A	A	A																		
DIE LIST FOR PRECAST WINDOW 70 SECTION	J861-SD-PW-0022	-	A	A	A	A																		
WINDOW LOCATION PLAN FOR PRECAST FAÇADE AT TOWER (2F)	J861-SD-PW-0101	-	A	A	A	B																		
WINDOW LOCATION PLAN FOR PRECAST FAÇADE AT TOWER (3F-12F)	J861-SD-PW-0102	-	A	A	A	B																		
WINDOW LOCATION PLAN FOR PRECAST FAÇADE AT TOWER (15F-21F)	J861-SD-PW-0103	-	A	A	A	A																		
WINDOW LOCATION PLAN FOR PRECAST FAÇADE AT TOWER (22F-23F)	J861-SD-PW-0104	-	A	A	A	A																		
WINDOW LOCATION PLAN FOR PRECAST FAÇADE AT TOWER (25F)	J861-SD-PW-0105	-	A	A	A	B																		
WINDOW LOCATION PLAN FOR PRECAST FAÇADE AT TOWER (26F-30F)	J861-SD-PW-0106	-	A	A	A	B																		
WINDOW LOCATION PLAN FOR PRECAST FAÇADE AT TOWER (31F)	J861-SD-PW-0107	-	A	A	A	A																		
WINDOW LOCATION PLAN FOR PRECAST FAÇADE AT TOWER (32F)	J861-SD-PW-0108	-	A	A	A	A																		
WINDOW SCHEDULE FOR PRECAST WINDOW	J861-SD-PW-1001	-	A	B	B	C																		
WINDOW SCHEDULE FOR PRECAST WINDOW	J861-SD-PW-1001A					-				NEW DRAWING														
WINDOW SCHEDULE FOR PRECAST WINDOW	J861-SD-PW-1002	-	A	B	B	C																		
WINDOW SCHEDULE FOR PRECAST WINDOW	J861-SD-PW-1003	-	A	B	B	B																		
WINDOW SCHEDULE FOR PRECAST WINDOW	J861-SD-PW-1004	-	A	B	B	B																		
WINDOW SCHEDULE FOR PRECAST WINDOW	J861-SD-PW-1005	-	A	B	B	B																		
WINDOW SCHEDULE FOR PRECAST WINDOW	J861-SD-PW-1006	-	A	A	A	A																		
WINDOW SCHEDULE FOR PRECAST WINDOW	J861-SD-PW-1006A	/	-	A	A	A																		
WINDOW SCHEDULE FOR PRECAST WINDOW	J861-SD-PW-1007	-	A	B	C	C																		
WINDOW SCHEDULE FOR PRECAST WINDOW	J861-SD-PW-1008	-	A	B	B	B																		
TYPICAL DETAILS FOR PRECAST WINDOW	J861-SD-PW-2001	-	A	A	A	A																		
TYPICAL DETAILS FOR PRECAST WINDOW	J861-SD-PW-2002	-	A	A	A	A																		
TYPICAL DETAILS FOR PRECAST WINDOW	J861-SD-PW-2003	-	A	B	B	B																		
TYPICAL DETAILS FOR PRECAST WINDOW	J861-SD-PW-2004	-	A	B	B	B																		
TYPICAL DETAILS FOR PRECAST WINDOW	J861-SD-PW-2005	-	A	A	A	A																		
TYPICAL DETAILS FOR PRECAST WINDOW	J861-SD-PW-3001	-	A	A	A	A																		
TYPICAL DETAILS FOR PRECAST WINDOW	J861-SD-PW-3002	-	A	A	A	A																		
TYPICAL DETAILS FOR PRECAST WINDOW	J861-SD-PW-3003	-	A	A	A	A																		
TYPICAL DETAILS FOR PRECAST WINDOW	J861-SD-PW-3004	-	A	A	A	A																		
TYPICAL DETAILS FOR PRECAST WINDOW	J861-SD-PW-3005	-	A	B	B	B																		
TYPICAL DETAILS FOR PRECAST WINDOW	J861-SD-PW-4001	-	-	-	-	-																		
TYPICAL DETAILS FOR PRECAST WINDOW	J861-SD-PW-4002	/	-	-	-	-																		
TYPICAL DETAILS FOR PRECAST WINDOW	J861-SD-PW-4003	/	-	-	-	-																		

IN-HOUSE DESIGN CHECKER



MIDI ALUMINIUM FABRICATOR LTD.
 Units 6-8, Sunray Industrial Centre, 1/F
 610 Cha Kwo Ling Road, Kowloon
 Tel:23489211-4 Fax:(852)27727666

DWG NO. : J861-SD-PW-0001 REV. : D

B.D. REF :	
WONG TUNG & PARTNERS LTD.	
APPROVED	
APPROVED AS NOTED	
APPROVED AS NOTED & RESUBMIT	
RESUBMIT	
NO COMMENT	
REFER OTHER CONSULTANT'S COMMENTS	
Reviewed for compliance with the design intent. Comments made shall apply to all similar conditions & details, not just the ones cited. The approval shall not be construed as relieving the contractor for compliance with the contract documents & requirements.	
Reviewed By Alice Lee	Date 3 dec 2024

CLIENT :
 Pacific Century Premium Developments
 盈科大衍地產發展

ARCHITECT :
 WONG TUNG & PARTNERS LIMITED
 ARCHITECTS & PLANNERS


MAIN CONTRACTOR :
 顯利工程有限公司
 HIEN LEE ENGINEERING CO., LTD.

STRUCTURAL ENGINEER :
 SYW & ASSOCIATES LTD.
 註冊專業工程師
 鄧賢偉建築師事務所

FACADE CONSULTANT:

- NOTE :
1. ALL DIMENSIONS ARE IN mm.
 2. ALL ELEVATIONS ARE VIEWED FROM OUTSIDE.
 3. ALL DIMENSIONS TO BE VERIFIED ON SITE BEFORE FABRICATION.
- LEGEND :
- W-XX WINDOW MARK NO.
 - XXXX REFER SHEET NO.
1. F.F.L. -- FINISHED FLOOR LEVEL
 2. S.F.L. -- STRUCTURAL FLOOR LEVEL
 3. (R) -- REVERSED DETAIL

A	26/08/2024	REVISION SUBJECT TO ARCH.COMMENT	MIN
NO.	DATE	REVISED	BY

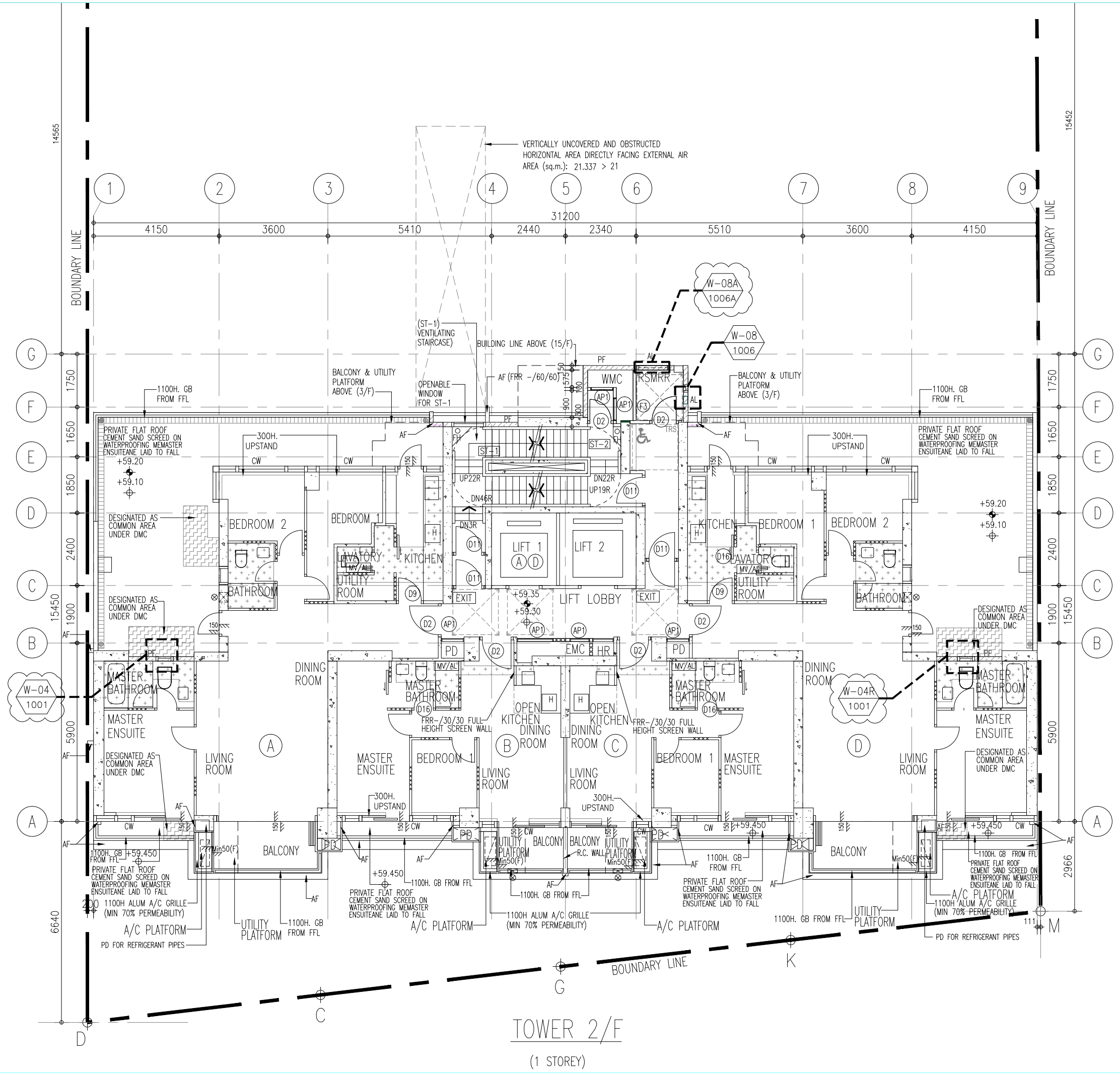
JOB NO. : J-861
 PROJECT : PROPOSED RESIDENTIAL DEVELOPMENT AT NOS. 3-6 GLENEALY, CENTRAL, HONG KONG

TITLE : WINDOW LOCATION PLAN FOR PRECAST FACADE AT TOWER (2F)

DATE : 26-06-24 SCALE : 1:125 @A3
 DRAWN BY : IVAN CHECKED BY :

 美特鋁質有限公司
 MIDI ALUMINIUM FABRICATOR LTD.
 Units 6-8, Sunray Industrial Centre, 1/F
 610 Cha Kwo Ling Road, Kowloon
 Tel:23489211-4 Fax:(852)2727666

DWG NO. : J861-SD-PW-0101 REV. : A




B.D. REF :	
WONG TUNG & PARTNERS LTD.	
APPROVED	<input checked="" type="checkbox"/>
APPROVED AS NOTED	<input type="checkbox"/>
APPROVED AS NOTED & RESUBMIT	<input type="checkbox"/>
RESUBMIT	<input type="checkbox"/>
NO COMMENT	<input type="checkbox"/>
REFER OTHER CONSULTANT'S COMMENTS	
Reviewed for compliance with the design intent. Comments made shall apply to all similar conditions & details, not just the ones cited.	
The approval shall not be construed as relieving the contractor for compliance with the contract documents & requirements.	
Reviewed By Alice Lee	Date 3 dec 2024

CLIENT :
 Pacific Century Premium Developments
 盈科大衍地產發展

ARCHITECT :
 WONG TUNG & PARTNERS LIMITED
 ARCHITECTS & PLANNERS


MAIN CONTRACTOR :
 顯利工程有限公司
 HIEN LEE ENGINEERING CO., LTD.

STRUCTURAL ENGINEER :
 SYW & ASSOCIATES LTD.
 謝賢雲建築師事務所

FAÇADE CONSULTANT :

- NOTE :
1. ALL DIMENSIONS ARE IN mm.
 2. ALL ELEVATIONS ARE VIEWED FROM OUTSIDE.
 3. ALL DIMENSIONS TO BE VERIFIED ON SITE BEFORE FABRICATION.
- LEGEND :
- W-XX -- WINDOW MARK NO.
 - XXXX -- REFER SHEET NO.
1. F.F.L. -- FINISHED FLOOR LEVEL
 2. S.F.L. -- STRUCTURAL FLOOR LEVEL
 3. (R) -- REVERSED DETAIL

A	26/08/2024	REVISION SUBJECT TO ARCH.COMMENT	MM
NO.	DATE	REVISED	BY

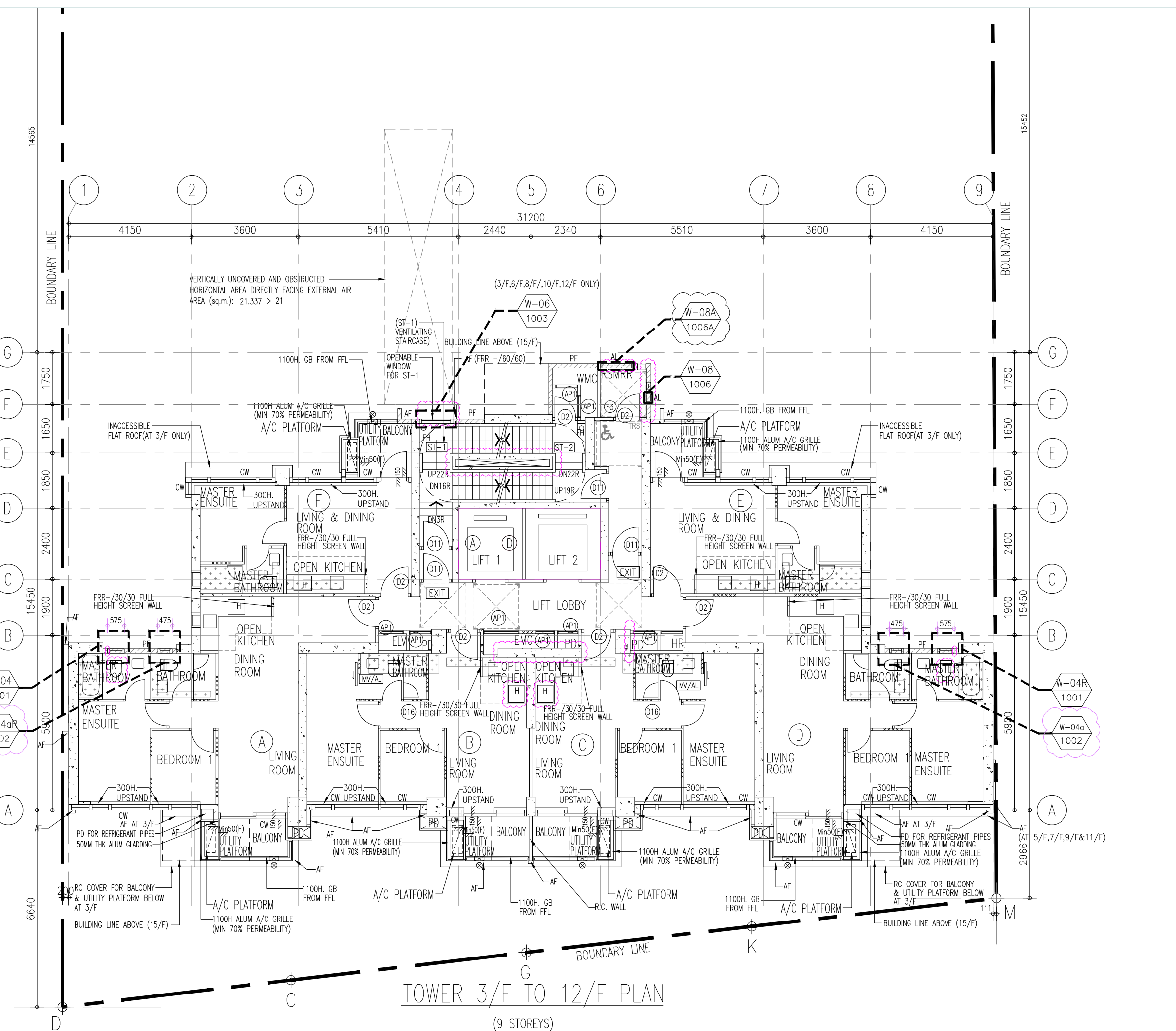
JOB NO. : J-861
 PROJECT : PROPOSED RESIDENTIAL DEVELOPMENT AT NOS. 3-6 GLENEALY, CENTRAL, HONG KONG

TITLE : WINDOW LOCATION PLAN FOR PRECAST FAÇADE AT TOWER (3F-12F)

DATE : 26-06-24 SCALE : 1:125 @A3
 DRAWN BY : IVAN CHECKED BY :

 美特鋁質有限公司
 MIDI ALUMINIUM FABRICATOR LTD.
 Units 6-8, Sunray Industrial Centre, 1/F
 610 Cha Kwo Ling Road, Kowloon
 Tel:23489211-4 Fax:(852)2727666

DWG NO. : J861-SD-PW-0102 REV. : A




TOWER 3/F TO 12/F PLAN
 (9 STOREYS)
 (FLOOR No. 4, 13, 14 NOT USED.)

B.D. REF :

WONG TUNG & PARTNERS LTD.	
APPROVED	<input checked="" type="checkbox"/>
APPROVED AS NOTED	<input type="checkbox"/>
APPROVED AS NOTED & RESUBMIT	<input type="checkbox"/>
RESUBMIT	<input type="checkbox"/>
NO COMMENT	<input type="checkbox"/>
REFER OTHER CONSULTANT'S COMMENTS	
Reviewed for compliance with the design intent. Comments made shall apply to all similar conditions & details, not just the ones cited. The approval shall not be construed as relieving the contractor for compliance with the contract documents & requirements.	
Reviewed By Alice Lee	Date 3 dec 2024

CLIENT :
 Pacific Century Premium Developments
 盈科大衍地產發展

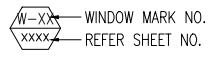
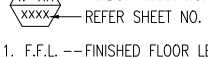
ARCHITECT :
 WONG TUNG & PARTNERS LIMITED
 ARCHITECTS & PLANNERS

MAIN CONTRACTOR :
 顯利工程有限公司
 HIEN LEE ENGINEERING CO., LTD.

STRUCTURAL ENGINEER :
 SYW & ASSOCIATES LTD.
 邵賢偉建築工程師

FAÇADE CONSULTANT:

NOTE :
 1. ALL DIMENSIONS ARE IN mm.
 2. ALL ELEVATIONS ARE VIEWED FROM OUTSIDE.
 3. ALL DIMENSIONS TO BE VERIFIED ON SITE BEFORE FABRICATION.

LEGEND :
 WINDOW MARK NO.
 REFER SHEET NO.
 1. F.F.L. -- FINISHED FLOOR LEVEL
 2. S.F.L. -- STRUCTURAL FLOOR LEVEL
 3. (R) -- REVERSED DETAIL

A	26/08/2024	REVISION SUBJECT TO ARCH.COMMENT	MN
NO.	DATE	REVISED	BY

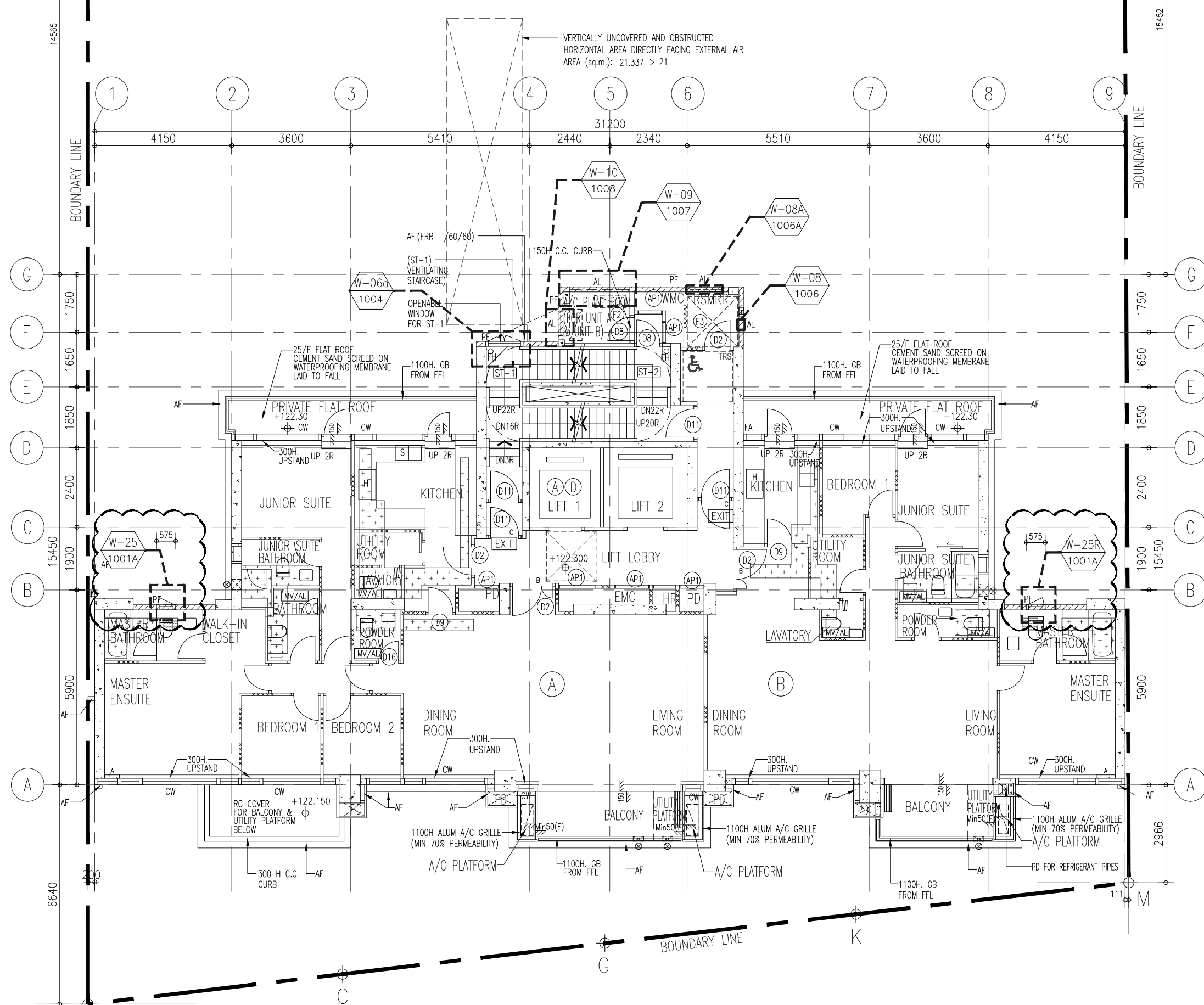
JOB NO. : J-861
 PROJECT : PROPOSED RESIDENTIAL DEVELOPMENT AT NOS. 3-6 GLENEALY, CENTRAL, HONG KONG

TITLE : WINDOW LOCATION PLAN FOR PRECAST FAÇADE AT TOWER (25F)

DATE : 26-06-24 SCALE : 1:125 @A3
 DRAWN BY : IVAN CHECKED BY :

 美特鋁質有限公司
 MIDI ALUMINIUM FABRICATOR LTD.
 Units 6-8, Sunray Industrial Centre, 1/F
 610 Cha Kwo Ling Road, Kowloon
 Tel:23489211-4 Fax:(852)2727666

DWG NO. : J861-SD-PW-0105 REV. : B



TOWER 25/F PLAN
 (1 STOREYS)


K:\03\178613\178613_1 Shop Drawing\1. Precast Window\3rd SUB\20240918\FLOOR PLAN - HIGH_ZONE 25F.dwg, 11/29/24 17:02:55, DWG To PDF.ppt

B.D. REF :	
WONG TUNG & PARTNERS LTD.	
APPROVED	<input checked="" type="checkbox"/>
APPROVED AS NOTED	<input type="checkbox"/>
APPROVED AS NOTED & RESUBMIT	<input type="checkbox"/>
RESUBMIT	<input type="checkbox"/>
NO COMMENT	<input type="checkbox"/>
REFER OTHER CONSULTANT'S COMMENTS	
Reviewed for compliance with the design intent. Comments made shall apply to all similar conditions & details, not just the ones cited. The approval shall not be construed as relieving the contractor for compliance with the contract documents & requirements.	
Reviewed By Alice Lee	Date 3 dec 2024

CLIENT :
 Pacific Century Premium Developments
 盈科大衍地產發展

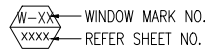
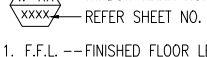
ARCHITECT :
 WONG TUNG & PARTNERS LIMITED
 ARCHITECTS & PLANNERS

MAIN CONTRACTOR :
 顯利工程有限公司
 HIEN LEE ENGINEERING CO., LTD.

STRUCTURAL ENGINEER :
 SYW & ASSOCIATES LTD.
 邵賢偉建築工程師

FAÇADE CONSULTANT:

NOTE :
 1. ALL DIMENSIONS ARE IN mm.
 2. ALL ELEVATIONS ARE VIEWED FROM OUTSIDE.
 3. ALL DIMENSIONS TO BE VERIFIED ON SITE BEFORE FABRICATION.

LEGEND :
 WINDOW MARK NO.
 REFER SHEET NO.

1. F.F.L. -- FINISHED FLOOR LEVEL
 2. S.F.L. -- STRUCTURAL FLOOR LEVEL
 3. (R) -- REVERSED DETAIL

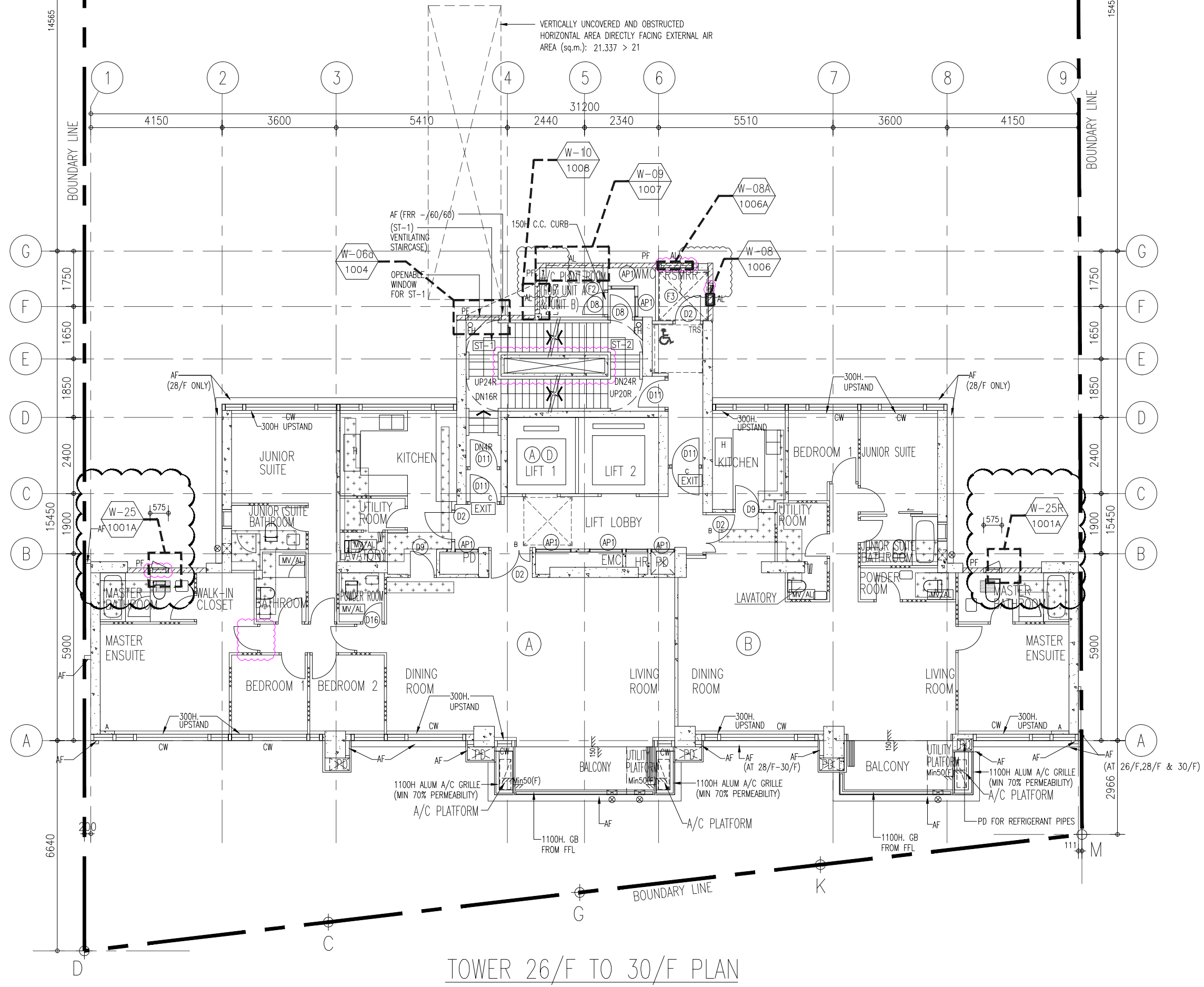
A	26/08/2024	REVISION SUBJECT TO ARCH.COMMENT	MN
NO.	DATE	REVISED	BY

JOB NO. : J-861
 PROJECT : PROPOSED RESIDENTIAL DEVELOPMENT AT NOS. 3-6 GLENEALY, CENTRAL, HONG KONG

TITLE : WINDOW LOCATION PLAN FOR PRECAST FAÇADE AT TOWER (26/F-30/F)

DATE : 26-06-24 SCALE : 1:125 @A3
 DRAWN BY : IVAN CHECKED BY :

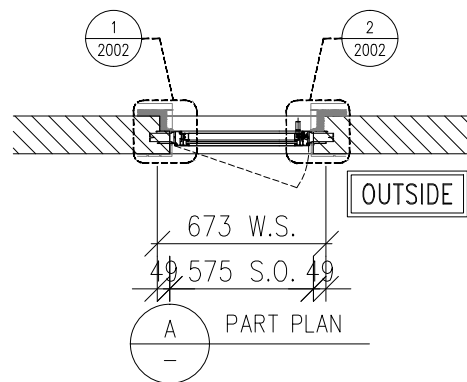
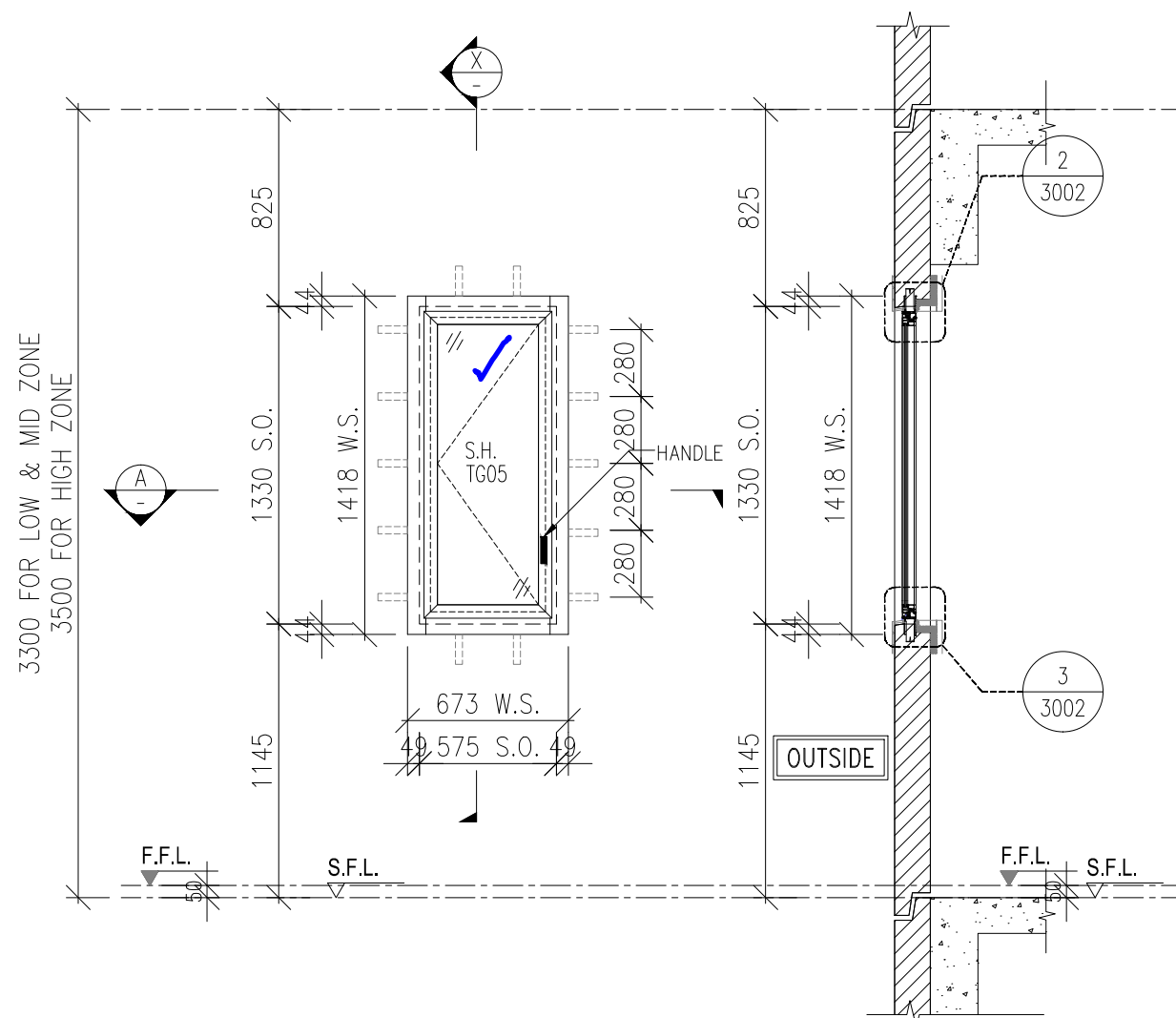
 美特鋁質有限公司
 MIDI ALUMINIUM FABRICATOR LTD.
 Units 6-8, Sunray Industrial Centre, 1/F
 610 Cha Kwo Ling Road, Kowloon
 Tel:23489211-4 Fax:(852)2727666
 DWG NO. : J861-SD-PW-0106 REV. : B



TOWER 26/F TO 30/F PLAN
 (5 STOREYS)

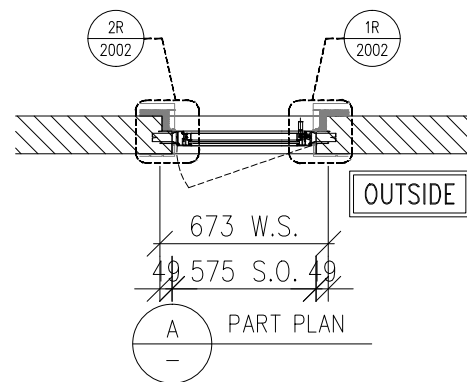
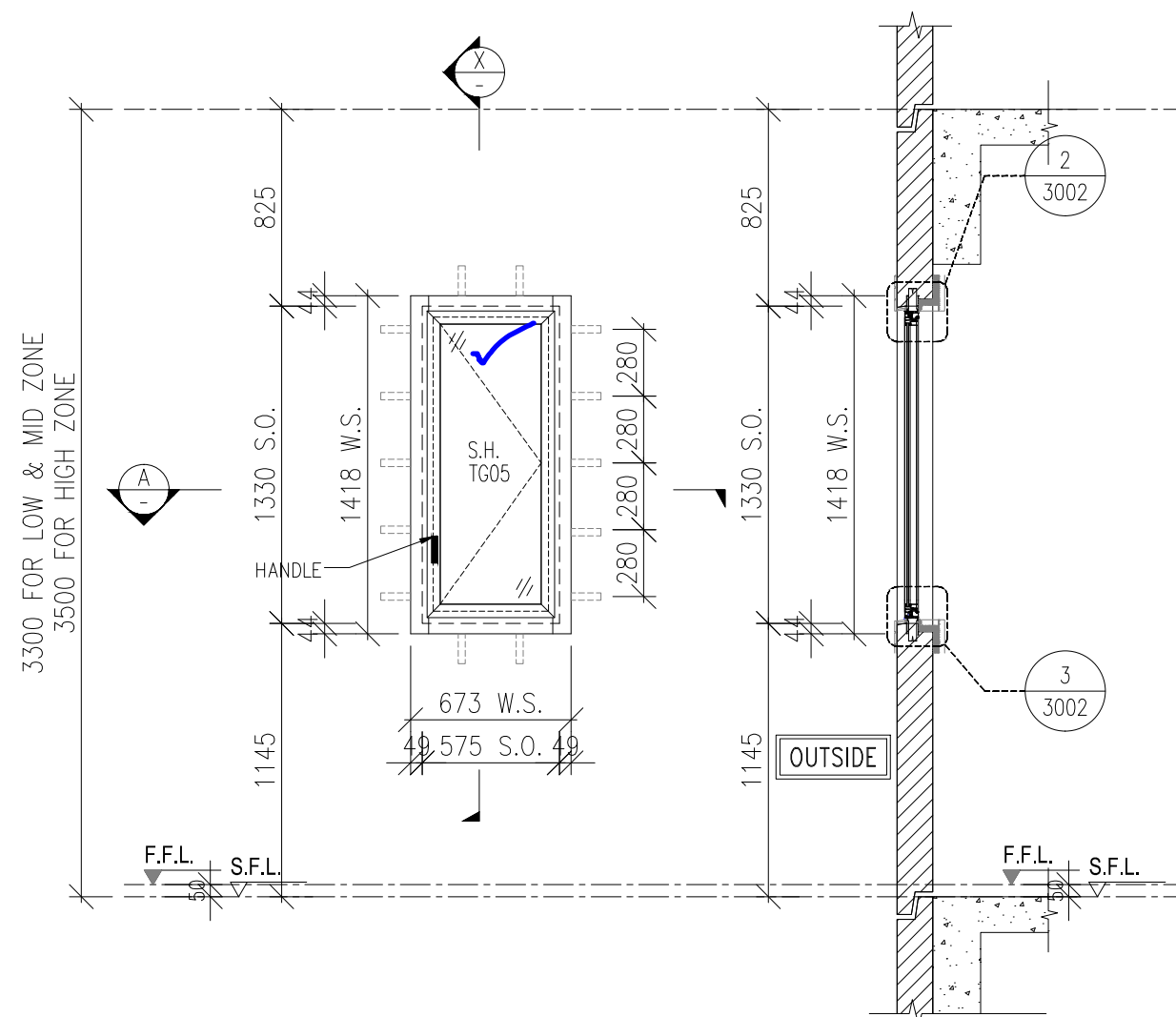
K:\03\178176\178176_Submission\1_Shop_Drawing\1_Precast_Window\3rd SUB 20240918\FLOOR PLAN - HIGH_ZONE 26-30/F.dwg, 11/29/24 17:02:37, DWG TO PDF.pcf

REQUIRE		PROVIDED	
OPENABLE AREA	GLAZING AREA	OPENABLE AREA	GLAZING AREA
0.461	—	0.593	0.496



X PART SECTION

PRECAST FACADE
 FOR 2/F : PF-01A
 FOR 3/F~11/F : PF-01
 FOR 12/F : PF-01B
 FOR 15/F~22/F : PF-01C
 FOR 23/F : PF-01D
 FOR 25/F : PF-01E
 FOR 26/F~29/F : PF-01F
 FOR 30/F : PF-01G



X PART SECTION

PRECAST FACADE
 FOR 2/F : PF-04A
 FOR 3/F~11/F : PF-04
 FOR 12/F : PF-04B
 FOR 15/F~22/F : PF-04C
 FOR 23/F : PF-04D
 FOR 25/F : PF-04E
 FOR 26/F~29/F : PF-04F
 FOR 30/F : PF-04G

B.D. REF :

WONG TUNG & PARTNERS LTD.	
APPROVED	✓
APPROVED AS NOTED	
APPROVED AS NOTED & RESUBMIT	
RESUBMIT	
NO COMMENT	
REFER OTHER CONSULTANT'S COMMENTS	
Reviewed for compliance with the design intent. Comments made shall apply to all similar conditions & details, not just the ones cited. The approval shall not be construed as relieving the contractor for compliance with the contract documents & requirements.	
Reviewed By Alice Lee	Date 3 dec 2024

CLIENT :

Pacific Century Premium Developments
 盈科大衍地產發展

ARCHITECT :

WONG TUNG & PARTNERS LIMITED
 ARCHITECTS & PLANNERS

MAIN CONTRACTOR :

顯利工程有限公司
 HIEN LEE ENGINEERING CO., LTD.

STRUCTURAL ENGINEER :

SYW & ASSOCIATES LTD.
 STRUCTURAL ENGINEERS & AUTHORIZED PERSONS
 鄧賢偉建築工程師

FACADE CONSULTANT:

- NOTE :
- ALL DIMENSIONS ARE IN mm.
 - ALL ELEVATIONS ARE VIEWED FROM OUTSIDE.
 - ALL DIMENSIONS TO BE VERIFIED ON SITE BEFORE FABRICATION.

- LEGEND :
- x1 — DETAIL MARK NO.
 - x001 — REFER SHEET NO.
 - F.F.L. — FINISHED FLOOR LEVEL
 - S.F.L. — STRUCTURAL FLOOR LEVEL
 - (R) — REVERSED DETAIL
 - F. — FIXED WINDOW
 - SH. — TOP HUNG WINDOW
 - — LOUVER
 - GLASS LEGEND
 - TG01A1 — SOUTH-EAST FACADE: LOW-E IGU-YKED160J (#2) 8mmHS CLEAR GLASS+12A+10mmT CLEAR GLASS
 - TG01A2 — SOUTH-EAST FACADE: LOW-E IGU-YKED160J (#2) 8mmHS CLEAR GLASS+12A+8mmT CLEAR GLASS
 - TG03 — 10mmT LIGHT GREY TINTED GLASS
 - TG04 — 8mmHS LIGHT GREY TINTED GLASS
 - TG05 — 8mmHS LIGHT GREY TINTED FROSTED GLASS

GLAZING AREA
OPENABLE AREA

B	16/09/2024	REVISION SUBJECT TO ARCH.COMMENT	MIN
A	26/08/2024	REVISION SUBJECT TO ARCH.COMMENT	MIN
NO.	DATE	REVISED	BY

JOB NO. : J-861

PROJECT : PROPOSED RESIDENTIAL DEVELOPMENT AT NOS. 3-6 GLENEALY, CENTRAL, HONG KONG

TITLE : WINDOW SCHEDULE FOR PRECAST WINDOW

WINDOW MARK	W-04 1001 19 nos.
LOCATION	(FLAT A M.BATH AT 2/F, 3/F TO 12/F) (FLAT A M.BATH AT 15/F TO 23/F)
GLAZING	TG05
WINDOW FRAME	50mm ALUM. WINDOW SECTION , 4 BAR HINGE

WINDOW MARK	W-04R 1001 19 nos.
LOCATION	(FLAT D M.BATH AT 2/F, 3/F TO 12/F) (FLAT C M.BATH AT 15/F TO 23/F)
GLAZING	TG05
WINDOW FRAME	50mm ALUM. WINDOW SECTION , 4 BAR HINGE

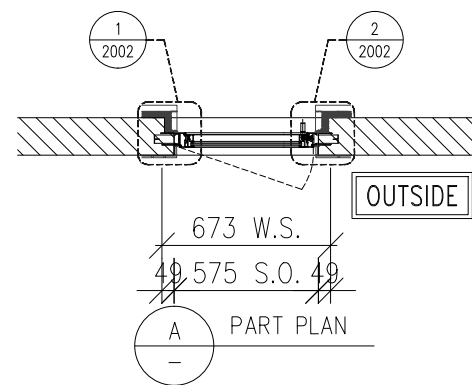
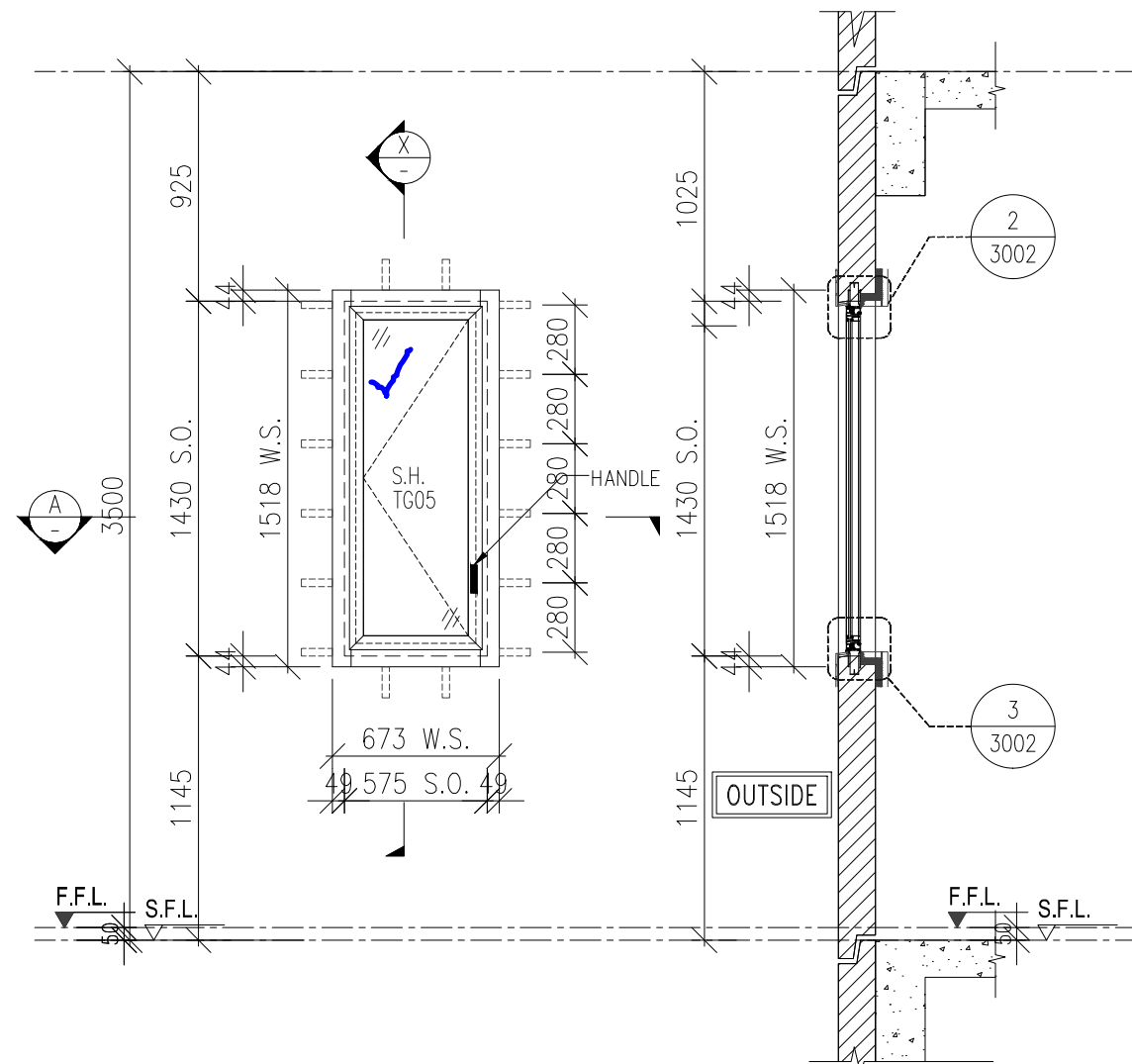
DATE : 26-06-24 SCALE : 1:30 @A3

DRAWN BY : IVAN CHECKED BY :

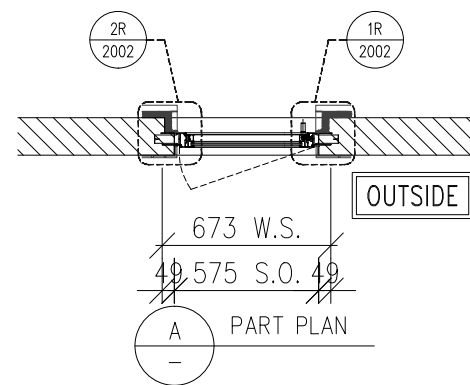
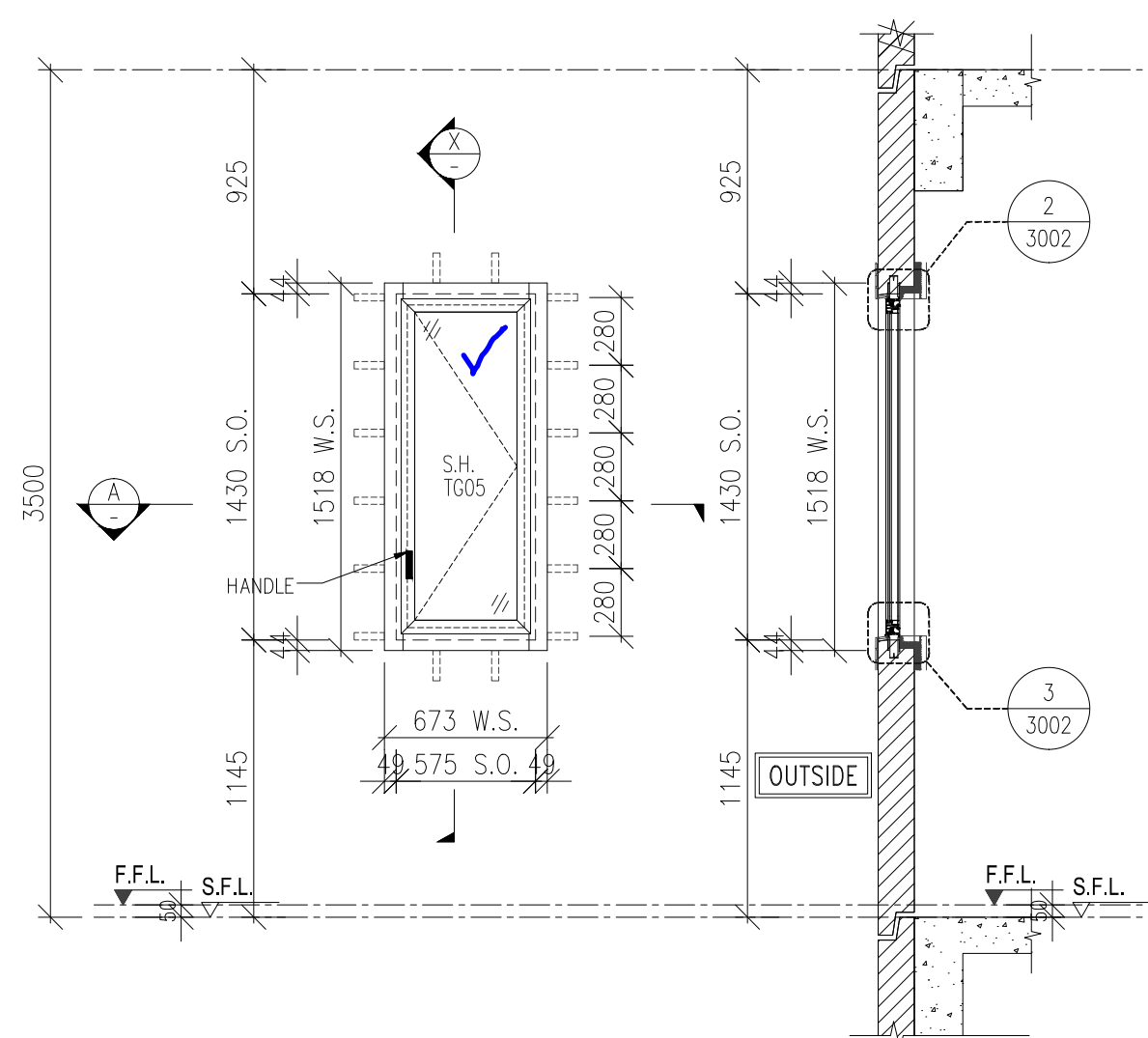
美特鋁質有限公司
 MIDI ALUMINIUM FABRICATOR LTD.
 Units 6-8, Sunray Industrial Centre, 1/F
 610 Cha Kwo Ling Road, Kowloon
 Tel:23489211-4 Fax:(852)2727666

DWG NO. : J861-SD-PW-1001 REV. : C

REQUIRE		PROVIDED	
OPENABLE AREA	GLAZING AREA	OPENABLE AREA	GLAZING AREA
0.461	-	0.641	0.536



SEC:A-A
X PART SECTION
PRECAST FACADE
FOR 25/F : PF-01E
FOR 26/F~29/F : PF-01F
FOR 30/F : PF-01G



SEC:A-A
X PART SECTION
PRECAST FACADE
FOR 25/F : PF-04E
FOR 26/F~29/F : PF-04F
FOR 30/F : PF-04G

B.D. REF :

WONG TUNG & PARTNERS LTD.	
APPROVED	✓
APPROVED AS NOTED	
APPROVED AS NOTED & RESUBMIT	
RESUBMIT	
NO COMMENT	
REFER OTHER CONSULTANT'S COMMENTS	
Reviewed for compliance with the design intent. Comments made shall apply to all similar conditions & details, not just the ones cited. The approval shall not be construed as relieving the contractor for compliance with the contract documents & requirements.	
Reviewed By Alice Lee	Date 3 dec 2024

CLIENT :

Pacific Century
Premium Developments
盈科大衍地產發展

ARCHITECT :

WONG TUNG & PARTNERS LIMITED
ARCHITECTS & PLANNERS

MAIN CONTRACTOR :

顯利工程有限公司
HIEN LEE ENGINEERING CO., LTD.

STRUCTURAL ENGINEER :

SYW & ASSOCIATES LTD.
STRUCTURAL ENGINEERS & AUTHORIZED PERSONNEL

FACADE CONSULTANT :

NOTE :

- ALL DIMENSIONS ARE IN mm.
- ALL ELEVATIONS ARE VIEWED FROM OUTSIDE.
- ALL DIMENSIONS TO BE VERIFIED ON SITE BEFORE FABRICATION.

LEGEND :

X1 - DETAIL MARK NO.
X001 - REFER SHEET NO.

- F.F.L. -- FINISHED FLOOR LEVEL
- S.F.L. -- STRUCTURAL FLOOR LEVEL
- (R) -- REVERSED DETAIL
- F. -- FIXED WINDOW
- SH. -- TOP HUNG WINDOW
- LOUVER
- GLASS LEGEND

TG01A1--SOUTH-EAST FACADE: LOW-E IGU-YKED160J (#2)
8mmHS CLEAR GLASS+12A+10mmT CLEAR GLASS
TG01A2--SOUTH-EAST FACADE: LOW-E IGU-YKED160J (#2)
8mmHS CLEAR GLASS+12A+8mmT CLEAR GLASS
TG03--10mmT LIGHT GREY TINTED GLASS
TG04--8mmHS LIGHT GREY TINTED GLASS
TG05--8mmHS LIGHT GREY TINTED FROSTED GLASS

GLAZING AREA
OPENABLE AREA

B	16/09/2024	REVISION SUBJECT TO ARCH.COMMENT	MN
A	26/08/2024	REVISION SUBJECT TO ARCH.COMMENT	MN
NO.	DATE	REVISED	BY

WINDOW MARK	W-25 1001A 6 nos.
LOCATION	FLAT A M.BATH AT 25/F TO 30/F
GLAZING	TG05
WINDOW FRAME	50mm ALUM. WINDOW SECTION , 4 BAR HINGE

WINDOW MARK	W-25R 1001A 6 nos.
LOCATION	FLAT B M.BATH AT 25/F TO 30/F
GLAZING	TG05
WINDOW FRAME	50mm ALUM. WINDOW SECTION , 4 BAR HINGE

JOB NO. : J-861

PROJECT : PROPOSED RESIDENTIAL DEVELOPMENT AT NOS. 3-6 GLENEALY, CENTRAL, HONG KONG

TITLE : WINDOW SCHEDULE FOR PRECAST WINDOW

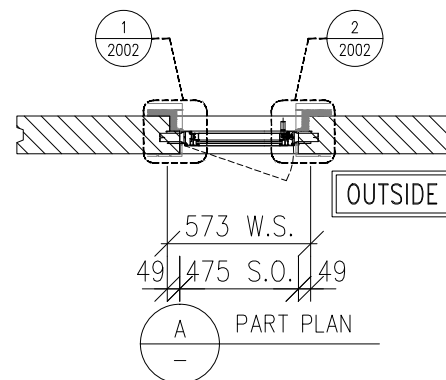
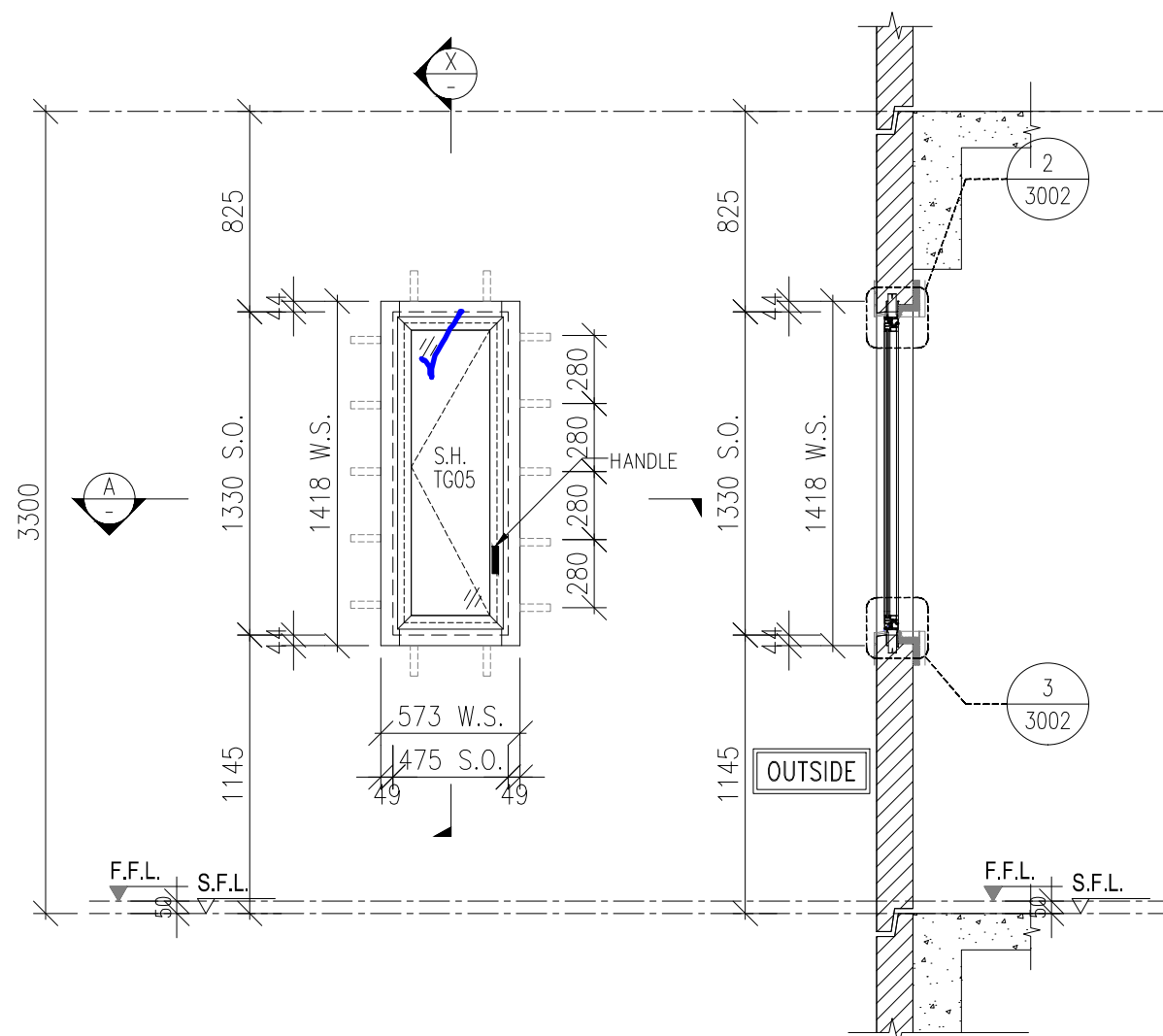
DATE : 26-06-24 SCALE : 1:30 @A3

DRAWN BY : IVAN CHECKED BY :

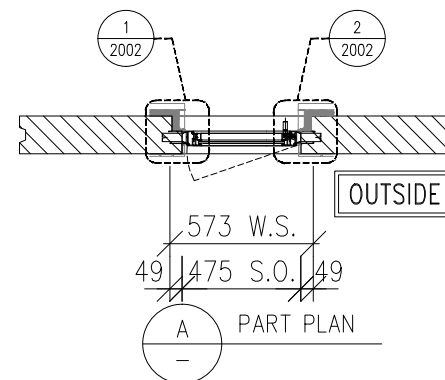
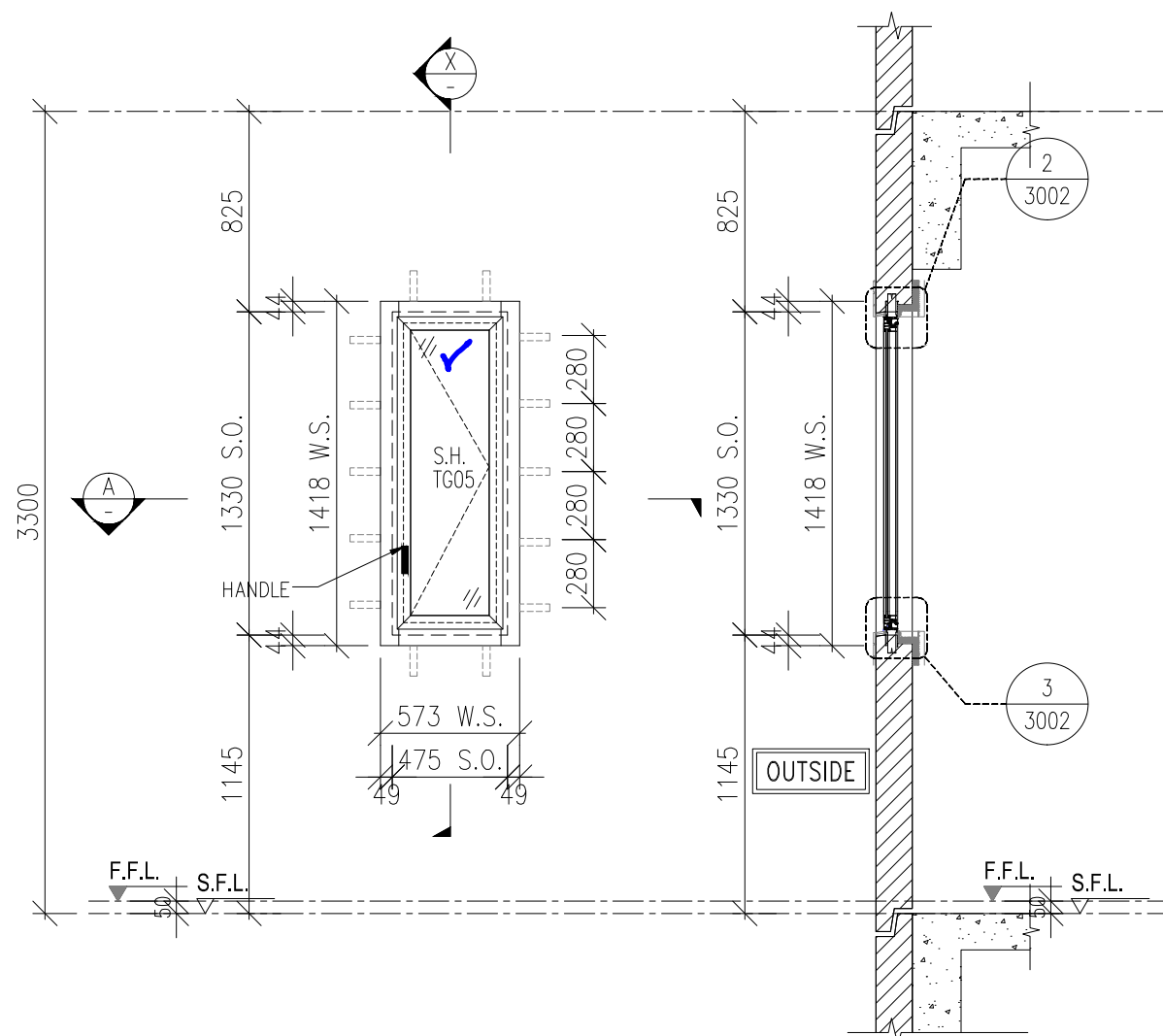
美特鋁質有限公司
MIDI ALUMINIUM FABRICATOR LTD.
Units 6-8, Sunray Industrial Centre, 1/F
610 Cha Kwo Ling Road, Kowloon
Tel:23489211-4 Fax:(852)2727666

DWG NO. : J861-SD-PW-1001A REV. : -

REQUIRE		PROVIDED	
OPENABLE AREA	GLAZING AREA	OPENABLE AREA	GLAZING AREA
0.333	—	0.470	0.379



PRECAST FACADE
FOR 3/F~11/F : PF-04
FOR 12/F : PF-04B



PRECAST FACADE
FOR 3/F~11/F : PF-01
FOR 12/F : PF-01B

B.D. REF :

WONG TUNG & PARTNERS LTD.	
APPROVED	✓
APPROVED AS NOTED	
APPROVED AS NOTED & RESUBMIT	
RESUBMIT	
NO COMMENT	
REFER OTHER CONSULTANT'S COMMENTS	
Reviewed for compliance with the design intent. Comments made shall apply to all similar conditions & details, not just the ones cited. The approval shall not be construed as relieving the contractor for compliance with the contract documents & requirements.	
Reviewed By Alice Lee	Date 3 dec 2024

CLIENT :

Pacific Century Premium Developments
盈科大衍地產發展

ARCHITECT :

WONG TUNG & PARTNERS LIMITED
ARCHITECTS & PLANNERS

MAIN CONTRACTOR :

顯利工程有限公司
HIEN LEE ENGINEERING CO., LTD.

STRUCTURAL ENGINEER :

SYW & ASSOCIATES LTD.
STRUCTURAL ENGINEERS & AUTHORIZED PERSONNEL
御豐建築工程師

FACADE CONSULTANT:

- NOTE :
- ALL DIMENSIONS ARE IN mm.
 - ALL ELEVATIONS ARE VIEWED FROM OUTSIDE.
 - ALL DIMENSIONS TO BE VERIFIED ON SITE BEFORE FABRICATION.

- LEGEND :
- x1 — DETAIL MARK NO.
 - x001 — REFER SHEET NO.
 - 1. F.F.L. — FINISHED FLOOR LEVEL
 - 2. S.F.L. — STRUCTURAL FLOOR LEVEL
 - 3. (R) — REVERSED DETAIL
 - 4. F. — FIXED WINDOW
 - 4. SH. — TOP HUNG WINDOW
 - 5. — LOUVER
 - 6. GLASS LEGEND
- TG01A1 — SOUTH-EAST FACADE: LOW-E IGU-YKED160J (#2)
8mmHS CLEAR GLASS+12A+10mmT CLEAR GLASS
- TG01A2 — SOUTH-EAST FACADE: LOW-E IGU-YKED160J (#2)
8mmHS CLEAR GLASS+12A+8mmT CLEAR GLASS
- TG03 — 10mmT LIGHT GREY TINTED GLASS
- TG04 — 8mmHS LIGHT GREY TINTED GLASS
- TG05 — 8mmHS LIGHT GREY TINTED FROSTED GLASS

GLAZING AREA
OPENABLE AREA

B	16/09/2024	REVISION SUBJECT TO ARCH.COMMENT	WN
A	26/08/2024	REVISION SUBJECT TO ARCH.COMMENT	WN
NO.	DATE	REVISED	BY

JOB NO. : J-861

PROJECT : PROPOSED RESIDENTIAL DEVELOPMENT AT NOS. 3-6 GLENEALY, CENTRAL, HONG KONG

TITLE : WINDOW SCHEDULE FOR PRECAST WINDOW

DATE : 26-06-24 SCALE : 1:30 @A3

DRAWN BY : IVAN CHECKED BY :

美特鋁質有限公司
MIDI ALUMINIUM FABRICATOR LTD.
Units 6-8, Sunray Industrial Centre, 1/F
610 Cha Kwo Ling Road, Kowloon
Tel:23489211-4 Fax:(852)2727666

DWG NO. : J861-SD-PW-1002 REV. : B

WINDOW MARK	W-04d 1002 9 nos.	W-04dR 1002 9 nos.
LOCATION	FLAT D BATHROOM AT 3/F TO 12/F	FLAT A BATHROOM AT 3/F TO 12/F
GLAZING	TG05	TG05
WINDOW FRAME	50mm ALUM. WINDOW SECTION , 4 BAR HINGE	50mm ALUM. WINDOW SECTION , 4 BAR HINGE

WINDOW MARK	W-04dR 1002 9 nos.	W-04d 1002 9 nos.
LOCATION	FLAT A BATHROOM AT 3/F TO 12/F	FLAT D BATHROOM AT 3/F TO 12/F
GLAZING	TG05	TG05
WINDOW FRAME	50mm ALUM. WINDOW SECTION , 4 BAR HINGE	50mm ALUM. WINDOW SECTION , 4 BAR HINGE

Hien Lee Engineering Co., Ltd

Project : Proposed Residential Development at No. 3-6 Glenealy, Central, Hong Kong

Shop Drawing Submission for Approval

Our Submission ref : J372/DS/CW-003D

To : SYW & Associates Ltd.

Attn Mr. Arnold Ebrahim

Re: 6th Shop Drawing Submission(Rev. B) of the Precast Aluminium Window & Louvre

Submission Date: 02/12/2024 Anticipated Approval Date: _____

Accordance with Contract Drawings and Specifications

Alternative Proposal Complying with Contract Specifications

Others

Dwg. No.	Description	Revision	Remarks
J856-SD-PW-0000-0001, J861-SD-PW-0011, J861-SD-PW-0021-0022, J861-SD-PW-0101-0108, J861-SD-PW-1001, 1001A, 1002-1006, 1006A J861-SD-PW-1007-1008, J861-SD-PW-2001-2005, J861-SD-PW-3001-3005, J861-SD-PW-4001-4003	6 th Shop Drawing of the Precast Aluminium Window & Louvre	D	

REPLY

Approved (A) Approved with Comment (B) Re-Submission Required (C)

Rejected (D) Others (E)

Comment: **General comments:**

- **Subject to architectural/statutory compliance;**
- **This set of drawings shall tally with precast facade shopdrawing;**
- **exact dimension should be verified on site;**

Signed by ~~WTPL /SYW~~

Date: 3 dec 2024

~~/TME/EAL/Others:~~

Alice Lee

Yours faithfully,
For and behalf of
HIEN LEE ENGINEERING CO., LTD.

Mr. Stephen Ip
(Project Manager)

Encl.

c.c. PCPD# WTPL* SYW* TME*
 RLB* RE/COW* H/O*

* - sent by email

- sent by email with cover only