



工程指示 / 要求簡箋 ENGINEER INSTRUCTIONS(E.I.)

工程指示編號:	EI- 8555	修改版本:	E
	HK- 2144		
工程編號:	J 861	工程名稱:	己連拿利
收件人:	生統	發件人:	細佬
工程項目:	預制窗施工圖更新	日期:	03/12/2024

<input type="checkbox"/> 原合約工程包	<input type="checkbox"/> 原合約工程加 / 減賬 QT-	<input type="checkbox"/> 新工程報價 QT-
---------------------------------	--	------------------------------------

信件批核號碼/圖紙參考編號:	批核模具圖紙編號:
客戶指示附件:	管理內部批簽署:

<input type="checkbox"/> 初步鋁料 B.M.	<input type="checkbox"/> 加工拆圖, 然後生產	<input type="checkbox"/> 尺寸表
<input type="checkbox"/> 正式鋁料 B.M.	<input type="checkbox"/> 技術上資料/指示	<input type="checkbox"/> 報價
<input type="checkbox"/> 配件 B.M.	<input type="checkbox"/> 樣辦或貨品說明書	<input type="checkbox"/> 分判合約
<input type="checkbox"/> 其他:		


內容: 請收預制窗施工圖更新
完成上列要求日期: 12/12/2024

國內

<input type="checkbox"/> 生產技術總監	<input type="checkbox"/> 連附件	<input checked="" type="checkbox"/> 技術部	<input checked="" type="checkbox"/> 連附件	<input type="checkbox"/> 生產部	<input type="checkbox"/> 連附件
<input type="checkbox"/> 採購部	<input type="checkbox"/> 連附件	<input checked="" type="checkbox"/> 生產統籌部	<input checked="" type="checkbox"/> 連附件	<input type="checkbox"/> 報關組	<input type="checkbox"/> 連附件
<input checked="" type="checkbox"/> 質檢部	<input checked="" type="checkbox"/> 連附件	<input type="checkbox"/> 會計部	<input type="checkbox"/> 連附件	<input type="checkbox"/> 機械設計部	<input type="checkbox"/> 連附件
<input type="checkbox"/> 香港辦	<input type="checkbox"/> 連附件	<input type="checkbox"/> 其他:			

香港

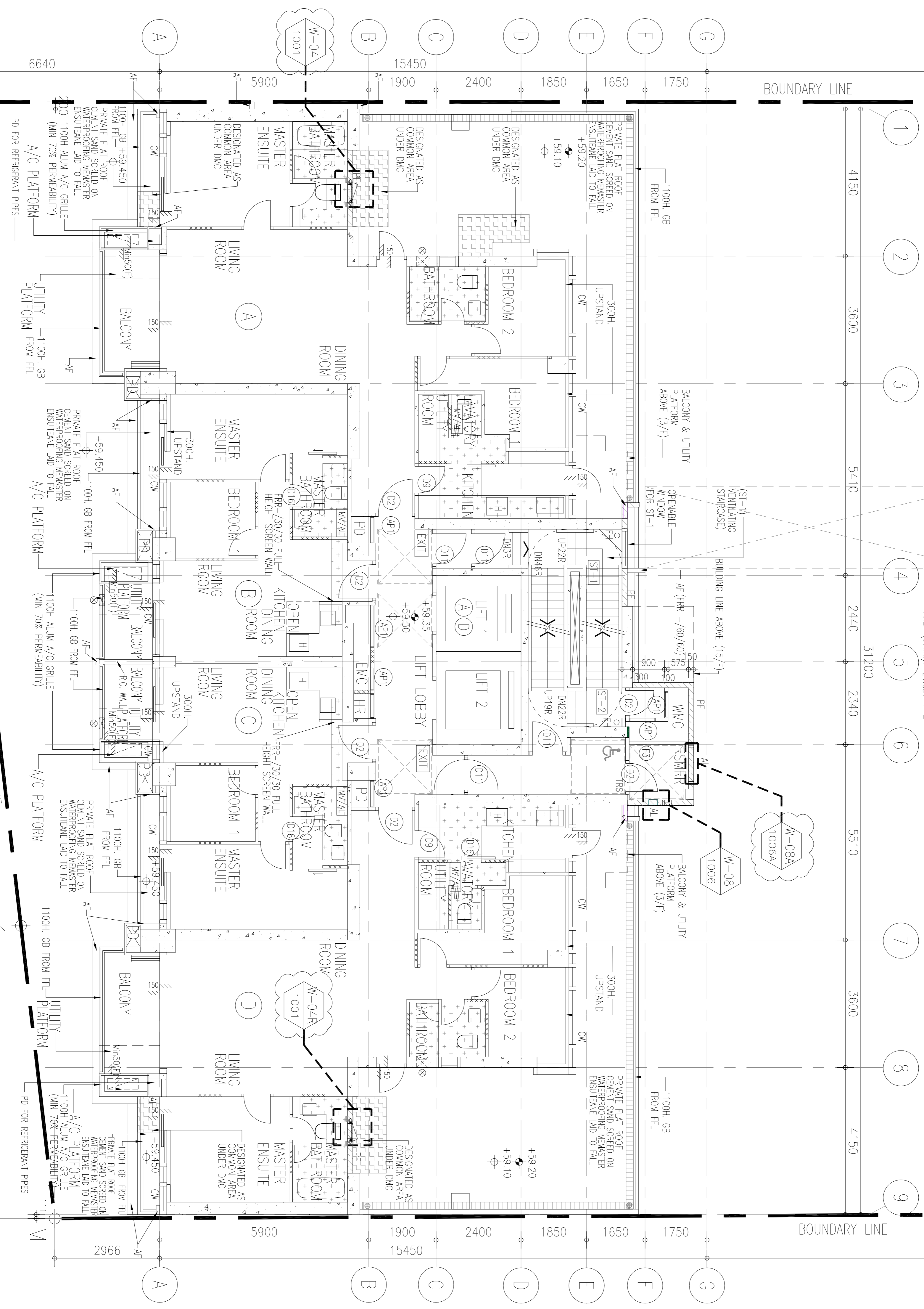
<input type="checkbox"/> 行政部	<input type="checkbox"/> 連附件	<input type="checkbox"/> 會計部	<input type="checkbox"/> 連附件	<input type="checkbox"/> 統籌部	<input type="checkbox"/> 連附件	<input type="checkbox"/> 工程部	<input type="checkbox"/> 連附件
<input type="checkbox"/> 採購部	<input type="checkbox"/> 連附件	<input type="checkbox"/> QS部	<input type="checkbox"/> 連附件	<input type="checkbox"/> 地盤管理	<input type="checkbox"/> 連附件	<input type="checkbox"/> 維修部	<input type="checkbox"/> 連附件

*發件人簽署:	*組別成員批核簽署:
傳遞編號: HK-2144	項目經理簽署: 

14565

15452

VERTICALLY UNCOVERED AND OBSTRUCTED  
HORIZONTAL AREA DIRECTLY FACING EXTERNAL AIR  
AREA (sq.m.): 21.337 > 21



# TOWER 2/F

(1 STOREY)

B.D. REF. :	
WONG TUNG & PARTNERS LTD.	
APPROVED	
APPROVED AS NOTED	
APPROVED AS NOTED & RESUBMIT	
RESUBMIT	
NO COMMENT	
REFER OTHER CONSULTANTS' COMMENTS	
Reviewed for compliance with the Design Intent. Comments made shall apply to all similar conditions & details, not just the one noted. The approval shall not be construed as relieving the contractor of compliance with the contract documents & requirements.	
Reviewed by	Date

CLIENT :  
**Pacific Century**  
 Premium Developments  
 盈科大衍地產發展

ARCHITECT :  
**WONG TUNG & PARTNERS LIMITED**  
 ARCHITECTS & PLANNERS

MAIN CONTRACTOR :  
**顯利工程有限公司**  
 HIEN LEE ENGINEERING CO., LTD.

STRUCTURAL ENGINEER :  
**SYW | SYW & ASSOCIATES LTD.**  
 邵賢偉建築工程師

FAÇADE CONSULTANT:

NOTE :  
 1. ALL DIMENSIONS ARE IN mm.  
 2. ALL ELEVATIONS ARE VIEWED FROM OUTSIDE.  
 3. ALL DIMENSIONS TO BE VERIFIED ON SITE BEFORE FABRICATION.

LEGEND:  
 W-XX WINDOW MARK NO.  
 XXXX REFER SHEET NO.

NO.	DATE	REVISION	BY
A	26/06/2024	REVISION SUBJECT TO APPROVEMENT	IAN

JOB NO. : J-861

PROJECT : PROPOSED RESIDENTIAL DEVELOPMENT AT NOS. 3-6 GLENALY, CENTRAL, HONG KONG

TITLE : WINDOW LOCATION PLAN FOR PRECAST FAÇADE AT TOWER (2F)

DATE : 26-06-24 SCALE : 1:125 @A3

DRAWN BY : IVAN CHECKED BY :

**美特鋁質有限公司**  
 MIDALUMINIUM FABRICATOR LTD.  
 Units 6-8, Sunray Industrial Centre, 1/F  
 610 Cha Kwo Ling Road, Kowloon  
 Tel:23489211-4 Fax:(852)27272666


DWG NO. : J861-SD-PW-0101 REV. : A

B.D. REF :	
WONG TUNG & PARTNERS LTD.	
APPROVED	
APPROVED AS NOTED	
APPROVED AS NOTED & RESUBMIT	
RESUBMIT	
NO COMMENT	
REFER OTHER CONSULTANT'S COMMENTS	
Reviewed for compliance with the design intent. Comments made shall apply to all similar conditions & details, not just the ones cited.	
The approval shall not be construed as relieving the contractor for compliance with the contract documents & requirements.	
Reviewed By	Date
( )	( )

CLIENT :  
 Pacific Century Premium Developments  
 盈科大衍地產發展

ARCHITECT :  
 WONG TUNG & PARTNERS LIMITED  
 ARCHITECTS & PLANNERS  


MAIN CONTRACTOR :  
 顯利工程有限公司  
 HIEN LEE ENGINEERING CO., LTD.

STRUCTURAL ENGINEER :  
 SYW & ASSOCIATES LTD.  
 謝賢雲建築工程師

FAÇADE CONSULTANT :

- NOTE :
1. ALL DIMENSIONS ARE IN mm.
  2. ALL ELEVATIONS ARE VIEWED FROM OUTSIDE.
  3. ALL DIMENSIONS TO BE VERIFIED ON SITE BEFORE FABRICATION.
- LEGEND :
- W-XX WINDOW MARK NO.
  - XXXX REFER SHEET NO.
1. F.F.L. -- FINISHED FLOOR LEVEL
  2. S.F.L. -- STRUCTURAL FLOOR LEVEL
  3. (R) -- REVERSED DETAIL

A	26/08/2024	REVISION SUBJECT TO ARCH.COMMENT	MM
NO.	DATE	REVISED	BY

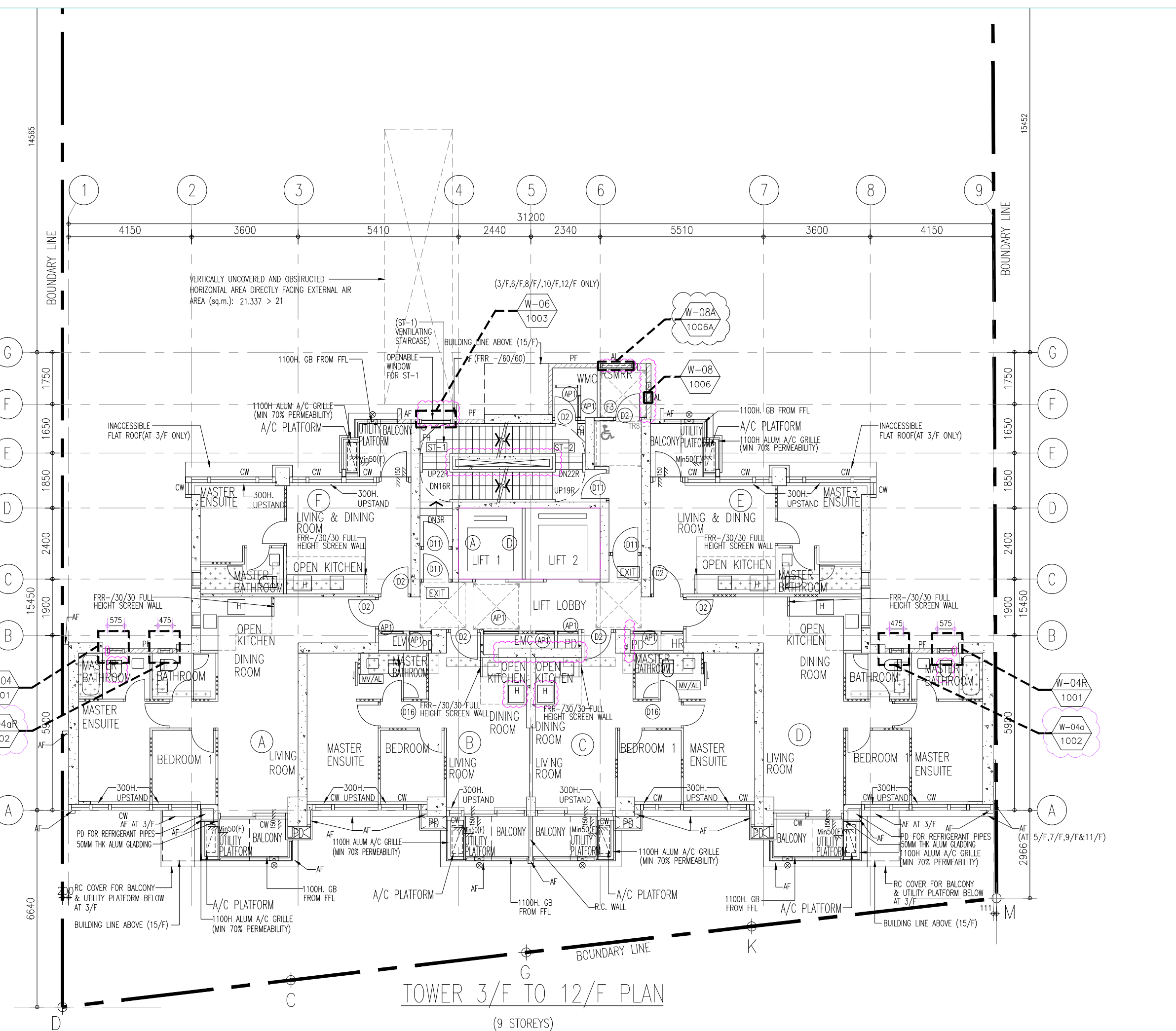
JOB NO. : J-861  
 PROJECT : PROPOSED RESIDENTIAL DEVELOPMENT AT NOS. 3-6 GLENEALY, CENTRAL, HONG KONG

TITLE : WINDOW LOCATION PLAN FOR PRECAST FAÇADE AT TOWER (3F-12F)

DATE : 26-06-24 SCALE : 1:125 @A3  
 DRAWN BY : IVAN CHECKED BY :

 美特鋁質有限公司  
 MIDI ALUMINIUM FABRICATOR LTD.  
 Units 6-8, Sunray Industrial Centre, 1/F  
 610 Cha Kwo Ling Road, Kowloon  
 Tel:23489211-4 Fax:(852)2727666

DWG NO. : J861-SD-PW-0102 REV. : A



TOWER 3/F TO 12/F PLAN  
 (9 STOREYS)  
 (FLOOR No. 4, 13, 14 NOT USED.)


B.D. REF :

WONG TUNG & PARTNERS LTD.	
APPROVED	
APPROVED AS NOTED	
APPROVED AS NOTED & RESUBMIT	
RESUBMIT	
NO COMMENT	
REFER OTHER CONSULTANT'S COMMENTS	
Reviewed for compliance with the design intent. Comments made shall apply to all similar conditions & details, not just the ones cited. The approval shall not be construed as relieving the contractor for compliance with the contract documents & requirements.	
Reviewed By	Date
( )	( )

CLIENT :  
 Pacific Century Premium Developments  
 盈科大衍地產發展

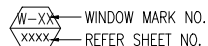
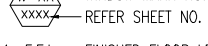
ARCHITECT :  
 WONG TUNG & PARTNERS LIMITED  
 ARCHITECTS & PLANNERS

MAIN CONTRACTOR :  
 顯利工程有限公司  
 HIEN LEE ENGINEERING CO., LTD.

STRUCTURAL ENGINEER :  
 SYW & ASSOCIATES LTD.  
 邵賢偉建築工程師

FAÇADE CONSULTANT:

NOTE :  
 1. ALL DIMENSIONS ARE IN mm.  
 2. ALL ELEVATIONS ARE VIEWED FROM OUTSIDE.  
 3. ALL DIMENSIONS TO BE VERIFIED ON SITE BEFORE FABRICATION.

LEGEND :  
 WINDOW MARK NO.  
 REFER SHEET NO.  
 1. F.F.L. -- FINISHED FLOOR LEVEL  
 2. S.F.L. -- STRUCTURAL FLOOR LEVEL  
 3. (R) -- REVERSED DETAIL

A	26/08/2024	REVISION SUBJECT TO ARCH.COMMENT	MN
NO.	DATE	REVISED	BY

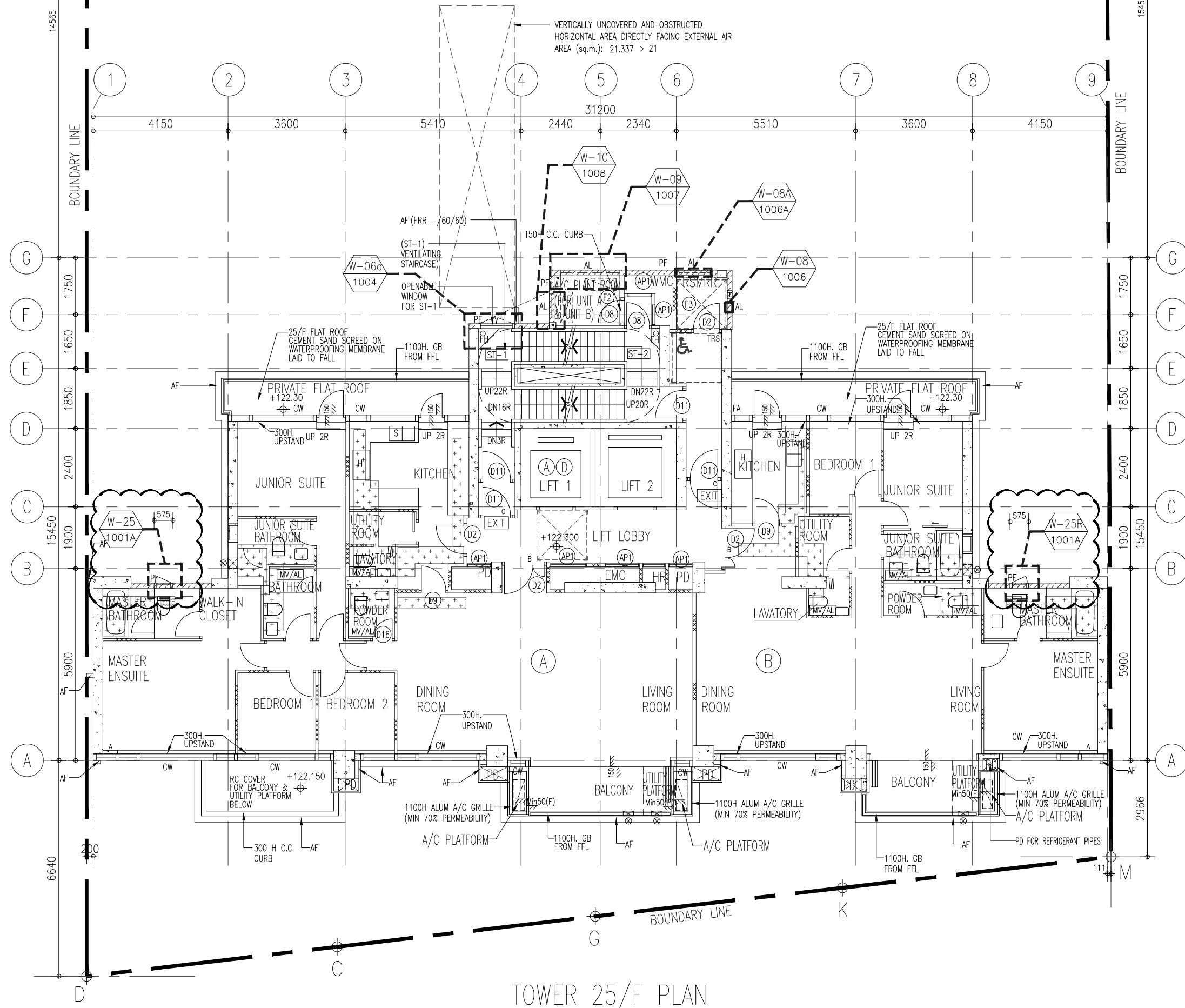
JOB NO. : J-861  
 PROJECT : PROPOSED RESIDENTIAL DEVELOPMENT AT NOS. 3-6 GLENEALY, CENTRAL, HONG KONG

TITLE : WINDOW LOCATION PLAN FOR PRECAST FAÇADE AT TOWER (25F)

DATE : 26-06-24 SCALE : 1:125 @A3  
 DRAWN BY : IVAN CHECKED BY :

 美特鋁質有限公司  
 MIDI ALUMINIUM FABRICATOR LTD.  
 Units 6-8, Sunray Industrial Centre, 1/F  
 610 Cha Kwo Ling Road, Kowloon  
 Tel:23489211-4 Fax:(852)2727666

DWG NO. : J861-SD-PW-0105 REV. : B



TOWER 25/F PLAN  
 (1 STOREYS)


K:\03\1786176 Submission\1\_Shop Drawing\1\_Precast Window\3rd SUB\20240918\FLOOR PLAN - HIGH\_ZONE 25F.dwg - 11/29/24 17:02:55, DWG To PDF.ppt

B.D. REF :	
WONG TUNG & PARTNERS LTD.	
APPROVED	
APPROVED AS NOTED	
APPROVED AS NOTED & RESUBMIT	
RESUBMIT	
NO COMMENT	
REFER OTHER CONSULTANT'S COMMENTS	
Reviewed for compliance with the design intent. Comments made shall apply to all similar conditions & details, not just the ones cited. The approval shall not be construed as relieving the contractor for compliance with the contract documents & requirements.	
Reviewed By	Date
( )	( )

CLIENT :  
 Pacific Century Premium Developments  
 盈科大衍地產發展

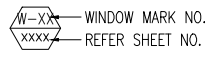
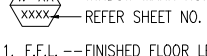
ARCHITECT :  
 WONG TUNG & PARTNERS LIMITED  
 ARCHITECTS & PLANNERS

MAIN CONTRACTOR :  
 顯利工程有限公司  
 HIEN LEE ENGINEERING CO., LTD.

STRUCTURAL ENGINEER :  
 SYW & ASSOCIATES LTD.  
 邵賢偉建築工程師

FAÇADE CONSULTANT:

NOTE :  
 1. ALL DIMENSIONS ARE IN mm.  
 2. ALL ELEVATIONS ARE VIEWED FROM OUTSIDE.  
 3. ALL DIMENSIONS TO BE VERIFIED ON SITE BEFORE FABRICATION.

LEGEND :  
 WINDOW MARK NO.  
 REFER SHEET NO.

1. F.F.L. -- FINISHED FLOOR LEVEL  
 2. S.F.L. -- STRUCTURAL FLOOR LEVEL  
 3. (R) -- REVERSED DETAIL

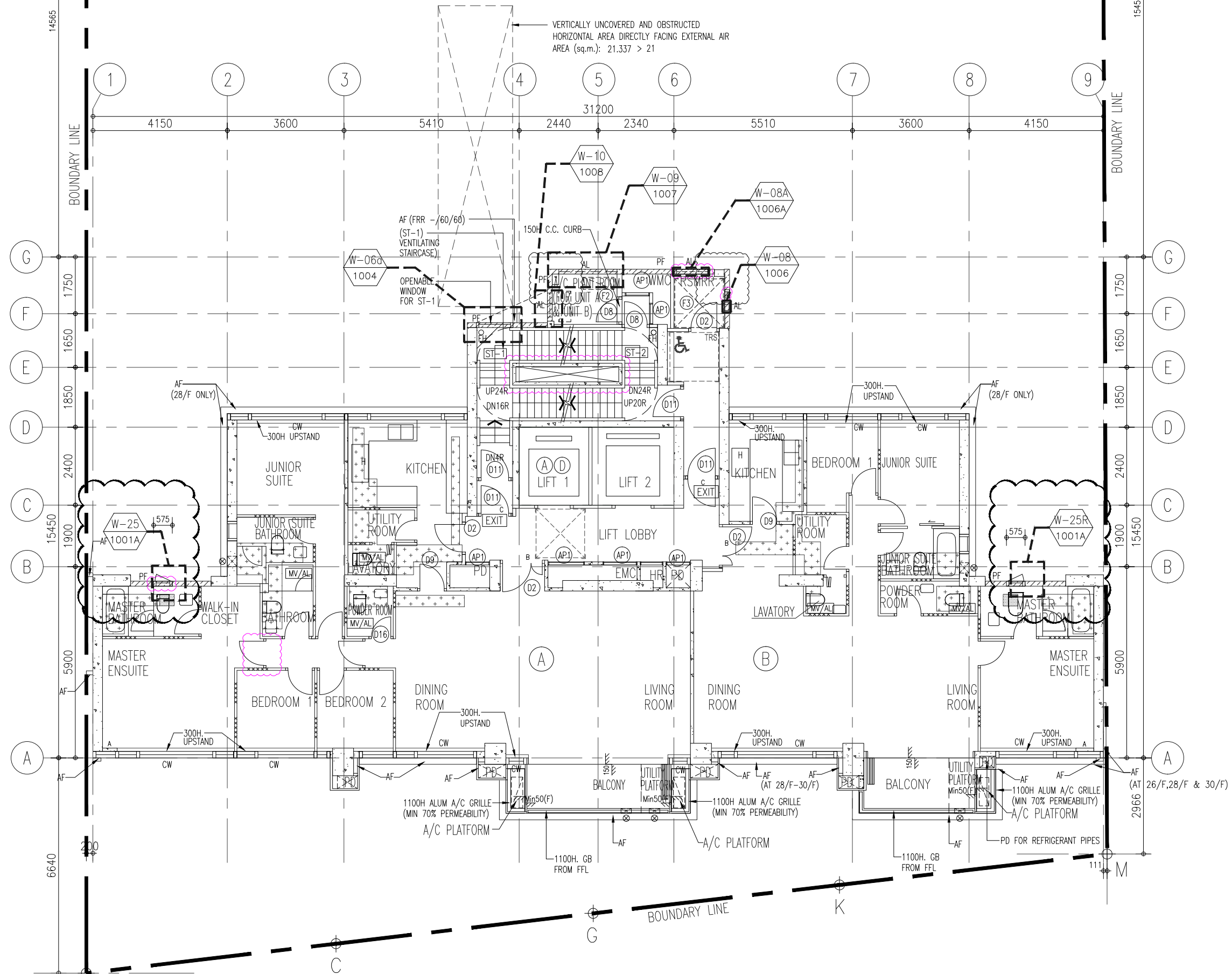
A	26/08/2024	REVISION SUBJECT TO ARCH.COMMENT	MN
NO.	DATE	REVISED	BY

JOB NO. : J-861  
 PROJECT : PROPOSED RESIDENTIAL DEVELOPMENT AT NOS. 3-6 GLENEALY, CENTRAL, HONG KONG

TITLE : WINDOW LOCATION PLAN FOR PRECAST FAÇADE AT TOWER (26F-30F)

DATE : 26-06-24 SCALE : 1:125 @A3  
 DRAWN BY : IVAN CHECKED BY :

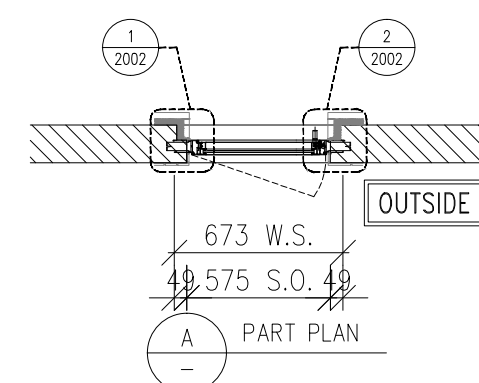
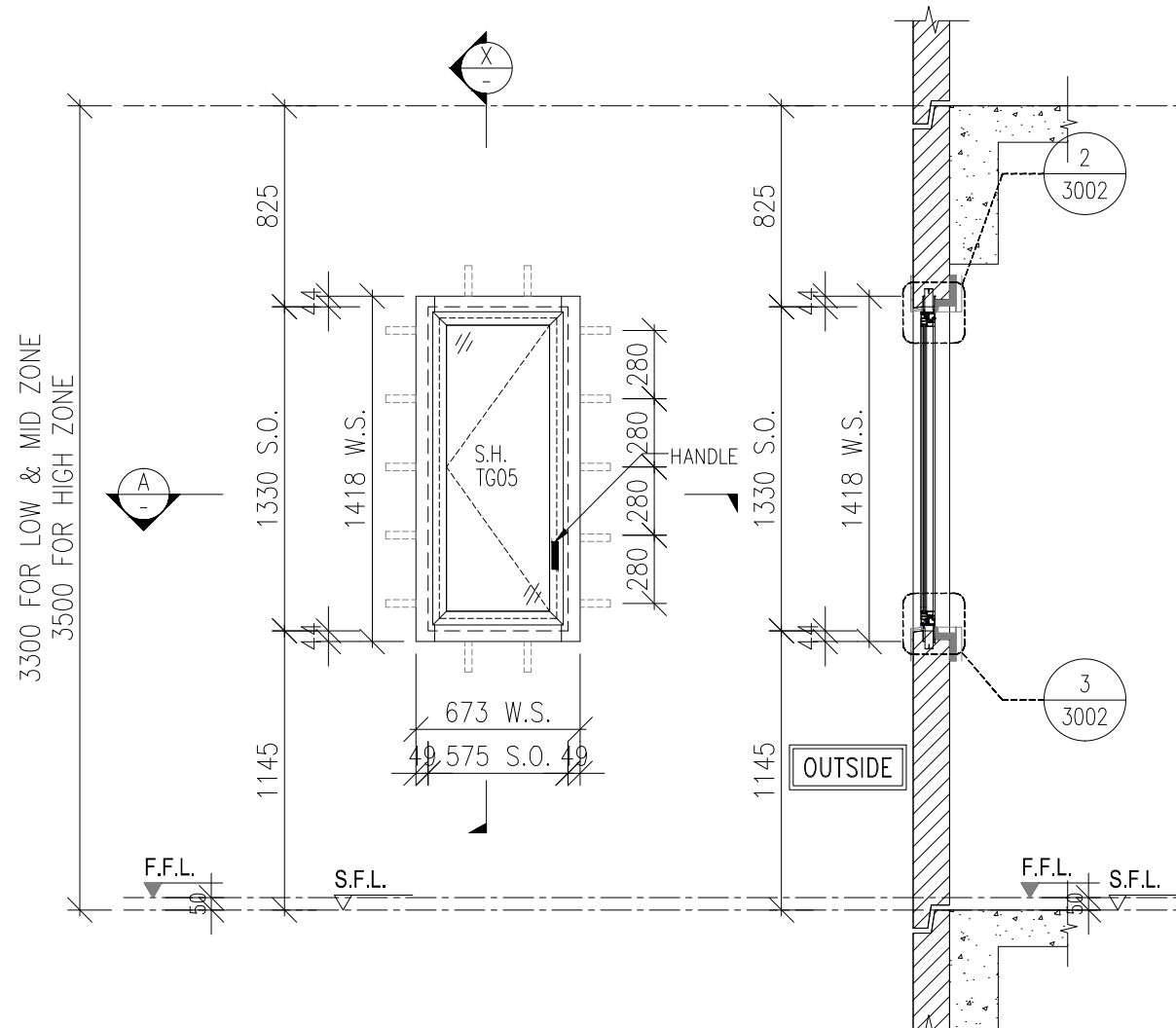
 美特鋁質有限公司  
 MIDI ALUMINIUM FABRICATOR LTD.  
 Units 6-8, Sunray Industrial Centre, 1/F  
 610 Cha Kwo Ling Road, Kowloon  
 Tel:23489211-4 Fax:(852)2727666  
 DWG NO. : J861-SD-PW-0106 REV. : B



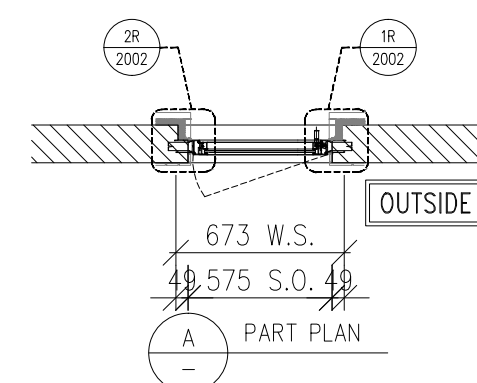
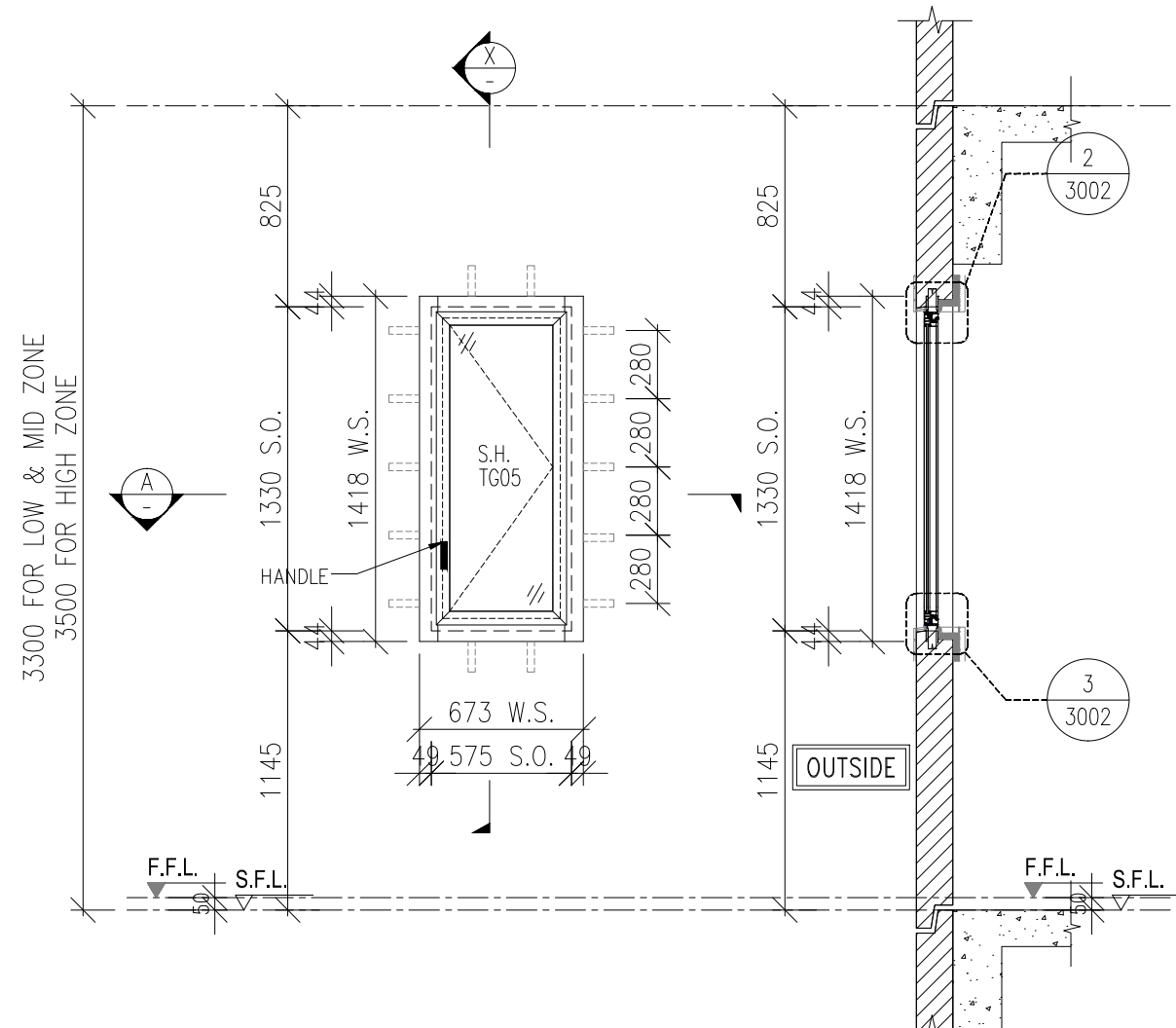
TOWER 26/F TO 30/F PLAN  
 (5 STOREYS)

K:\05\178176\178176\_Submission\1\_Shop\_Drawing\1\_Precast\_Window\3rd SUB 20240918\FLOOR PLAN - HIGH\_ZONE 26-30F.dwg, 11/29/24 17:02:37, DWG TO PDF.pcf

REQUIRE		PROVIDED	
OPENABLE AREA	GLAZING AREA	OPENABLE AREA	GLAZING AREA
0.461	—	0.593	0.496



**PRECAST FACADE**  
 FOR 2/F : PF-01A  
 FOR 3/F~11/F : PF-01  
 FOR 12/F : PF-01B  
 FOR 15/F~22/F : PF-01C  
 FOR 23/F : PF-01D  
 FOR 25/F : PF-01E  
 FOR 26/F~29/F : PF-01F  
 FOR 30/F : PF-01G



**PRECAST FACADE**  
 FOR 2/F : PF-04A  
 FOR 3/F~11/F : PF-04  
 FOR 12/F : PF-04B  
 FOR 15/F~22/F : PF-04C  
 FOR 23/F : PF-04D  
 FOR 25/F : PF-04E  
 FOR 26/F~29/F : PF-04F  
 FOR 30/F : PF-04G

B.D. REF :

WONG TUNG & PARTNERS LTD.	
APPROVED	
APPROVED AS NOTED	
APPROVED AS NOTED & RESUBMIT	
RESUBMIT	
NO COMMENT	
REFER OTHER CONSULTANT'S COMMENTS	
Reviewed for compliance with the design intent. Comments made shall apply to all similar conditions & details, not just the ones cited. The approval shall not be construed as relieving the contractor for compliance with the contract documents & requirements.	
Reviewed By	Date

CLIENT :

**Pacific Century**  
 Premium Developments  
 盈科大衍地產發展

ARCHITECT :

**WONG TUNG & PARTNERS LIMITED**  
 ARCHITECTS & PLANNERS

MAIN CONTRACTOR :

**顯利工程有限公司**  
 HIEN LEE ENGINEERING CO., LTD.

STRUCTURAL ENGINEER :

**SYW & ASSOCIATES LTD.**  
 CHARTERED ENGINEERS & AUTHORIZED PERSONS  
 鄧賢偉建築工程師

FACADE CONSULTANT:

- NOTE :**
- ALL DIMENSIONS ARE IN mm.
  - ALL ELEVATIONS ARE VIEWED FROM OUTSIDE.
  - ALL DIMENSIONS TO BE VERIFIED ON SITE BEFORE FABRICATION.

- LEGEND :**
- x1 — DETAIL MARK NO.
  - x001 — REFER SHEET NO.
- F.F.L. — FINISHED FLOOR LEVEL
  - S.F.L. — STRUCTURAL FLOOR LEVEL
  - (R) — REVERSED DETAIL
  - F. — FIXED WINDOW
  - SH. — TOP HUNG WINDOW
  - LOUVER
  - GLASS LEGEND
- TG01A1 — SOUTH-EAST FACADE: LOW-E IGU-YKED160J (#2)  
 8mmHS CLEAR GLASS+12A+10mmT CLEAR GLASS  
 TG01A2 — SOUTH-EAST FACADE: LOW-E IGU-YKED160J (#2)  
 8mmHS CLEAR GLASS+12A+8mmT CLEAR GLASS  
 TG03 — 10mmT LIGHT GREY TINTED GLASS  
 TG04 — 8mmHS LIGHT GREY TINTED GLASS  
 TG05 — 8mmHS LIGHT GREY TINTED FROSTED GLASS

	GLAZING AREA
	OPENABLE AREA

B	16/09/2024	REVISION SUBJECT TO ARCH.COMMENT	WN
A	26/08/2024	REVISION SUBJECT TO ARCH.COMMENT	WN
NO.	DATE	REVISED	BY

JOB NO. : J-861

PROJECT :  
 PROPOSED RESIDENTIAL  
 DEVELOPMENT AT NOS. 3-6  
 GLENEALY, CENTRAL, HONG KONG

TITLE :  
 WINDOW SCHEDULE FOR  
 PRECAST WINDOW

WINDOW MARK	W-04 1001 19 nos.
LOCATION	(FLAT A M.BATH AT 2/F, 3/F TO 12/F) (FLAT A M.BATH AT 15/F TO 23/F)
GLAZING	TG05
WINDOW FRAME	50mm ALUM. WINDOW SECTION , 4 BAR HINGE

WINDOW MARK	W-04R 1001 19 nos.
LOCATION	(FLAT D M.BATH AT 2/F, 3/F TO 12/F) (FLAT C M.BATH AT 15/F TO 23/F)
GLAZING	TG05
WINDOW FRAME	50mm ALUM. WINDOW SECTION , 4 BAR HINGE

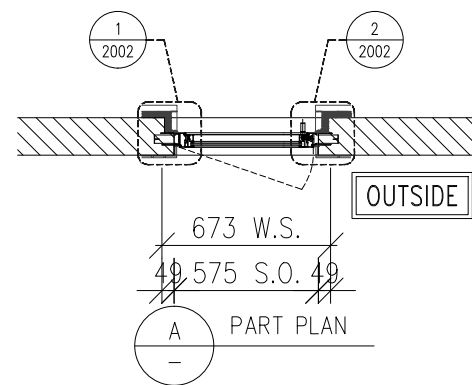
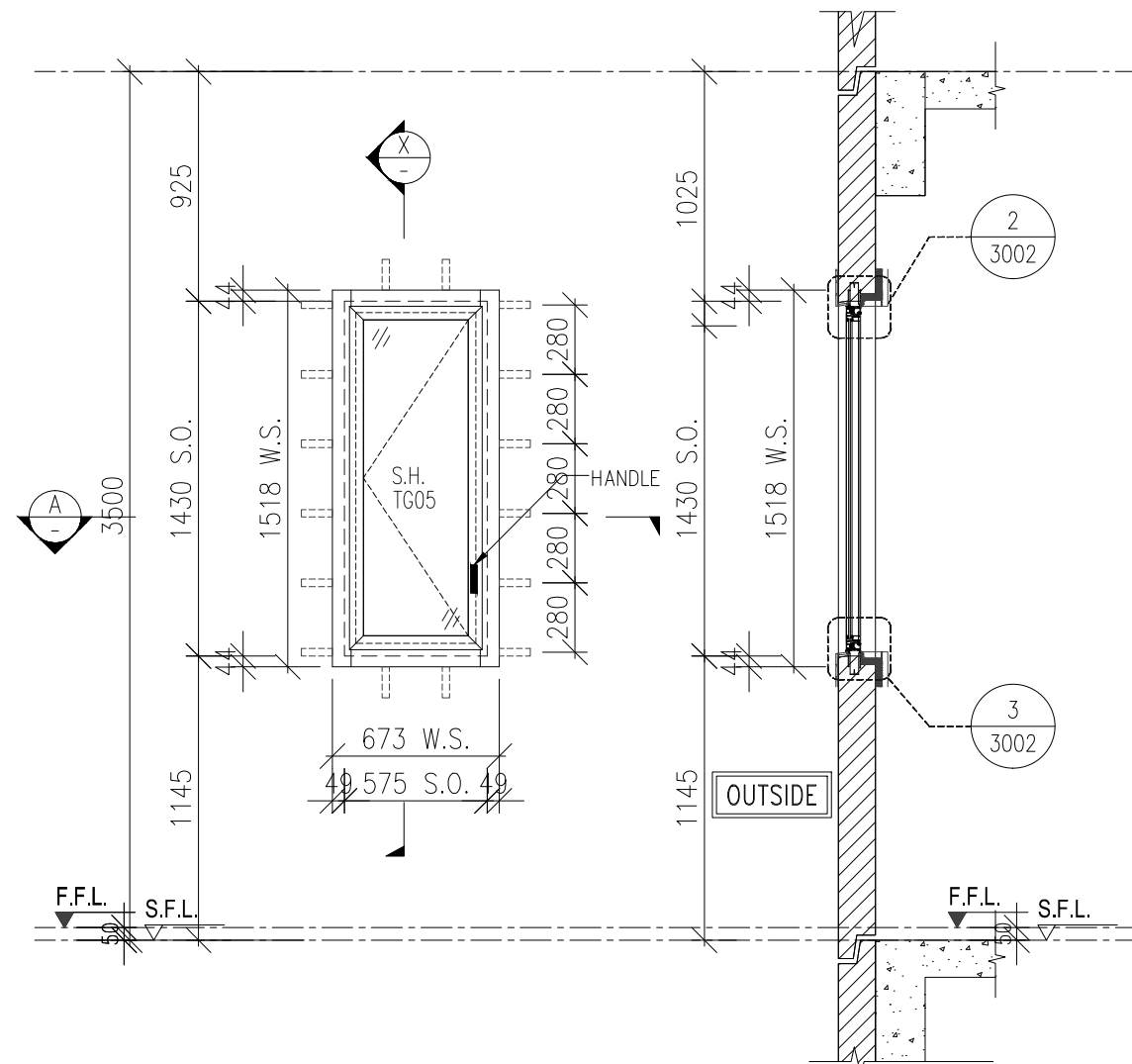
DATE : 26-06-24 SCALE : 1:30 @A3

DRAWN BY : IVAN CHECKED BY :

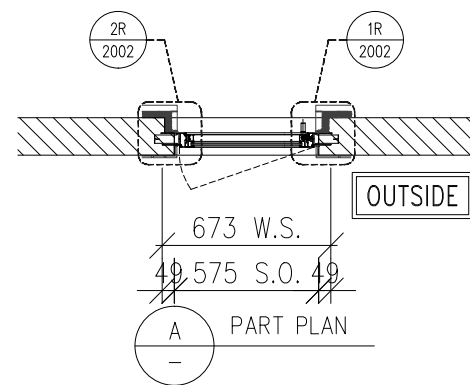
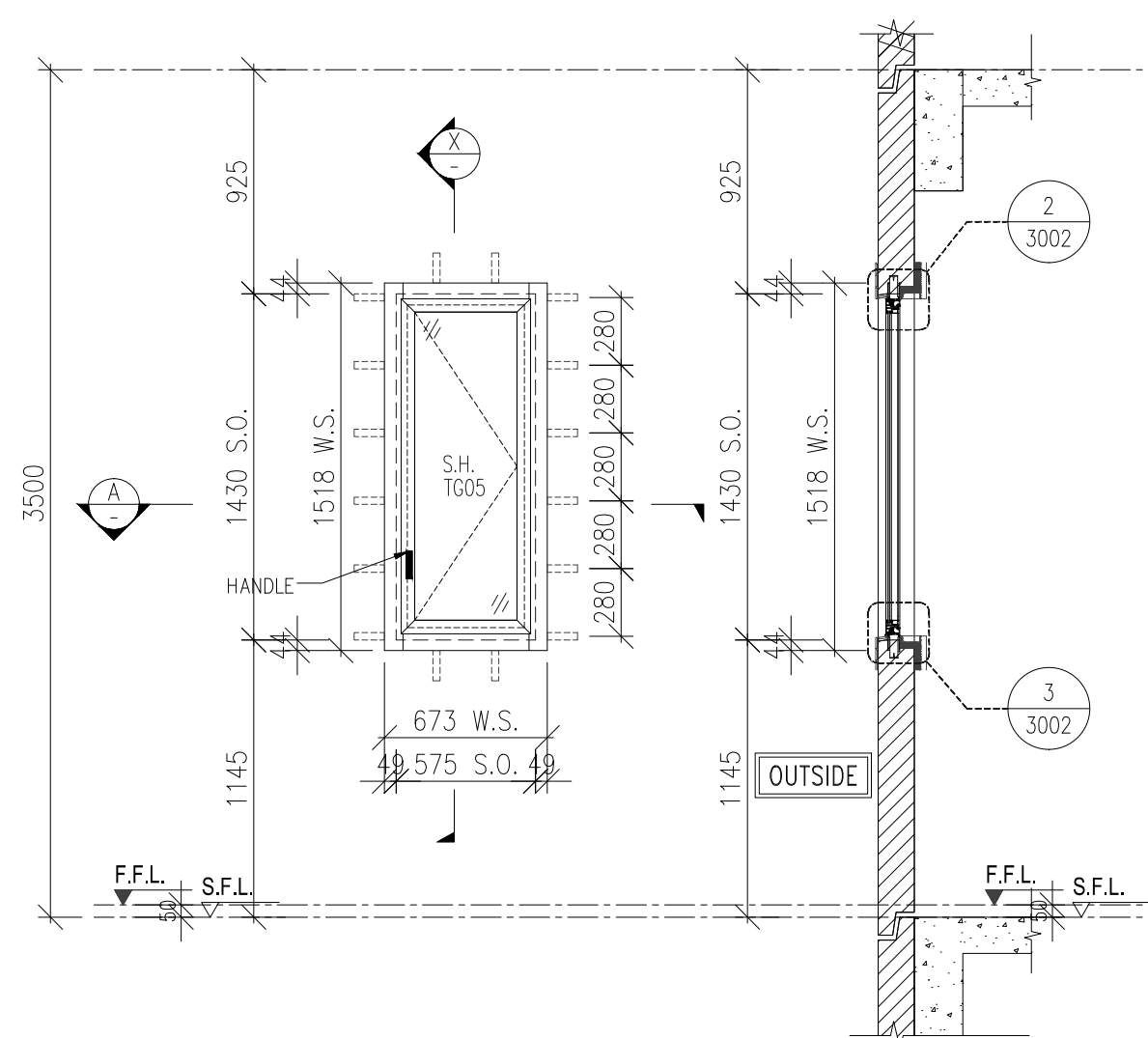
**美特鋁質有限公司**  
 MIDI ALUMINIUM FABRICATOR LTD.  
 Units 6-8, Sunray Industrial Centre, 1/F  
 610 Cha Kwo Ling Road, Kowloon  
 Tel:23489211-4 Fax:(852)2727666

DWG NO. : J861-SD-PW-1001 REV. : C

REQUIRE		PROVIDED	
OPENABLE AREA	GLAZING AREA	OPENABLE AREA	GLAZING AREA
0.461	-	0.641	0.536



SEC:A-A  
 X PART SECTION  
 PRECAST FACADE  
 FOR 25/F : PF-01E  
 FOR 26/F~29/F : PF-01F  
 FOR 30/F : PF-01G



SEC:A-A  
 X PART SECTION  
 PRECAST FACADE  
 FOR 25/F : PF-04E  
 FOR 26/F~29/F : PF-04F  
 FOR 30/F : PF-04G

B.D. REF :

WONG TUNG & PARTNERS LTD.	
APPROVED	
APPROVED AS NOTED	
APPROVED AS NOTED & RESUBMIT	
RESUBMIT	
NO COMMENT	
REFER OTHER CONSULTANT'S COMMENTS	
Reviewed for compliance with the design intent. Comments made shall apply to all similar conditions & details, not just the ones cited. The approval shall not be construed as relieving the contractor for compliance with the contract documents & requirements.	
Reviewed By	Date

CLIENT :

**Pacific Century**  
 Premium Developments  
 盈科大衍地產發展

ARCHITECT :

**WONG TUNG & PARTNERS LIMITED**  
 ARCHITECTS & PLANNERS

MAIN CONTRACTOR :

**顯利工程有限公司**  
 HIEN LEE ENGINEERING CO., LTD.

STRUCTURAL ENGINEER :

**SYW & ASSOCIATES LTD.**  
 STRUCTURAL ENGINEERS & AUTHORIZED PERSONNEL

FACADE CONSULTANT :

NOTE :

- ALL DIMENSIONS ARE IN mm.
- ALL ELEVATIONS ARE VIEWED FROM OUTSIDE.
- ALL DIMENSIONS TO BE VERIFIED ON SITE BEFORE FABRICATION.

LEGEND :

X1 - DETAIL MARK NO.  
 X001 - REFER SHEET NO.

- F.F.L. -- FINISHED FLOOR LEVEL
- S.F.L. -- STRUCTURAL FLOOR LEVEL
- (R) -- REVERSED DETAIL
- F. -- FIXED WINDOW
- SH. -- TOP HUNG WINDOW
- LOUVER
- GLASS LEGEND

TG01A1--SOUTH-EAST FACADE: LOW-E IGU-YKED160J (#2)  
 8mmHS CLEAR GLASS+12A+10mmT CLEAR GLASS  
 TG01A2--SOUTH-EAST FACADE: LOW-E IGU-YKED160J (#2)  
 8mmHS CLEAR GLASS+12A+8mmT CLEAR GLASS  
 TG03--10mmT LIGHT GREY TINTED GLASS  
 TG04--8mmHS LIGHT GREY TINTED GLASS  
 TG05--8mmHS LIGHT GREY TINTED FROSTED GLASS

GLAZING AREA  
 OPENABLE AREA

B	16/09/2024	REVISION SUBJECT TO ARCH.COMMENT	MN
A	26/08/2024	REVISION SUBJECT TO ARCH.COMMENT	MN
NO.	DATE	REVISED	BY

WINDOW MARK	W-25 1001A 6 nos.
LOCATION	FLAT A M.BATH AT 25/F TO 30/F
GLAZING	TG05
WINDOW FRAME	50mm ALUM. WINDOW SECTION , 4 BAR HINGE

WINDOW MARK	W-25R 1001A 6 nos.
LOCATION	FLAT B M.BATH AT 25/F TO 30/F
GLAZING	TG05
WINDOW FRAME	50mm ALUM. WINDOW SECTION , 4 BAR HINGE

JOB NO. : J-861

PROJECT : PROPOSED RESIDENTIAL DEVELOPMENT AT NOS. 3-6 GLENEALY, CENTRAL, HONG KONG

TITLE : WINDOW SCHEDULE FOR PRECAST WINDOW

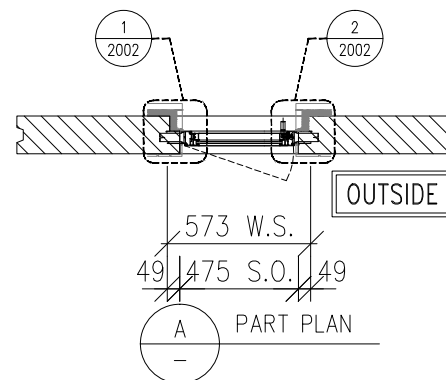
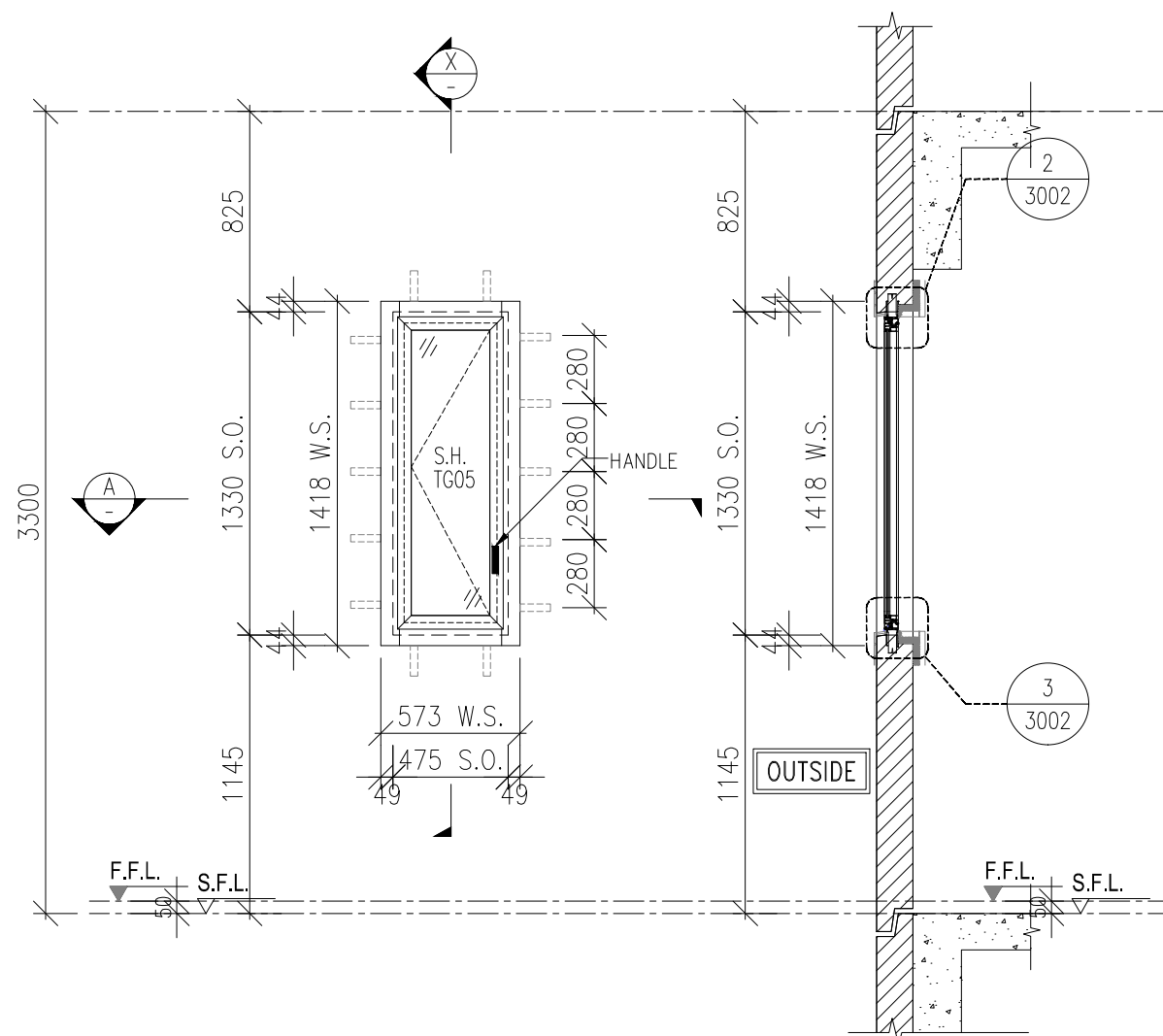
DATE : 26-06-24 SCALE : 1:30 @A3

DRAWN BY : IVAN CHECKED BY :

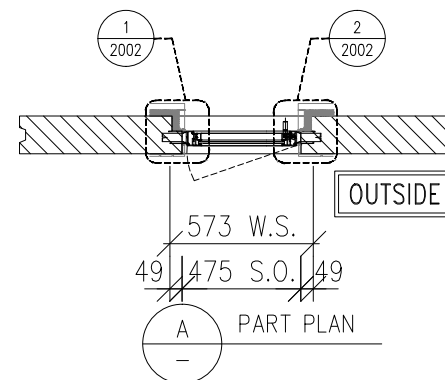
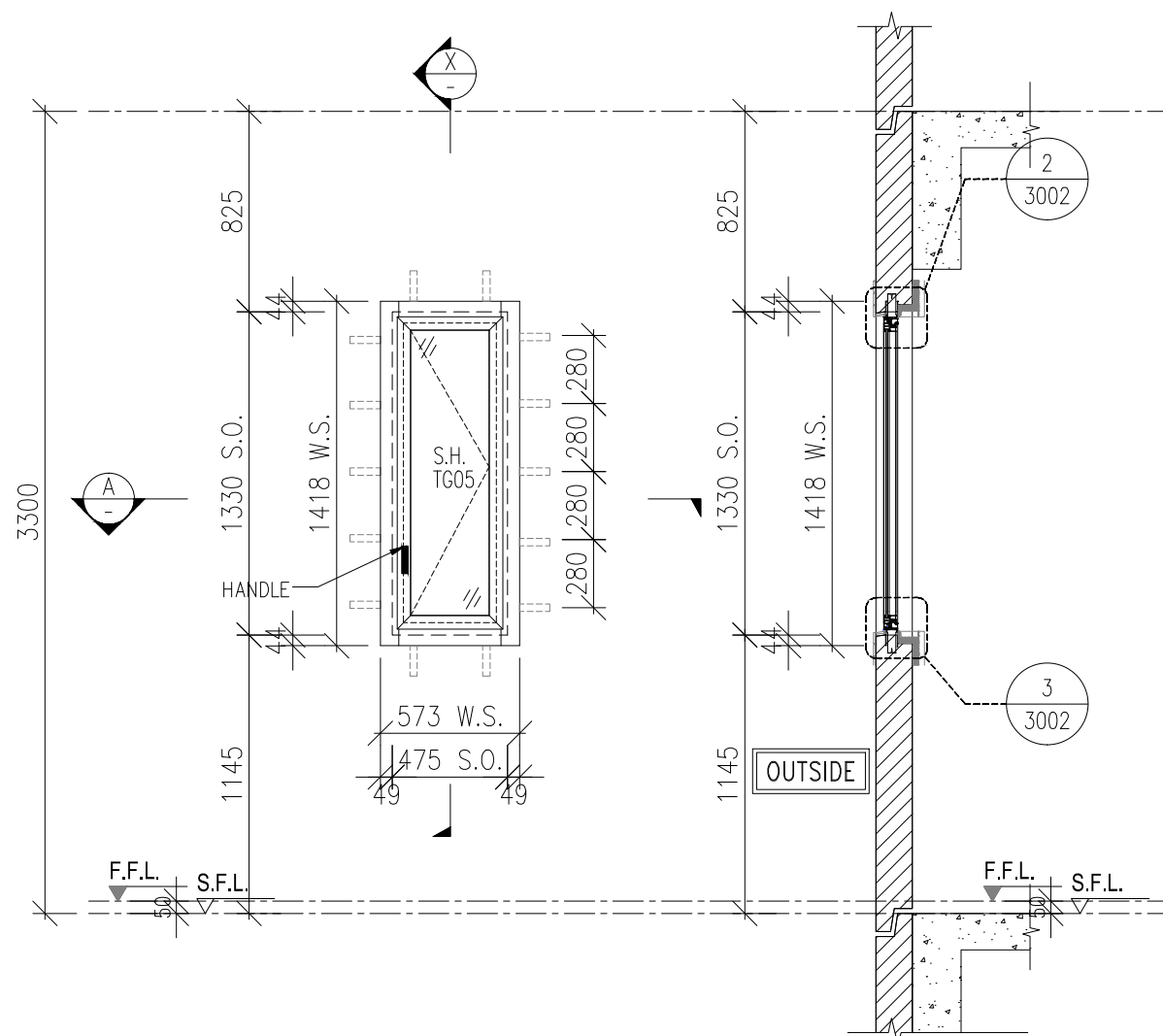
**美特鋁質有限公司**  
 ALUMINIUM FABRICATOR LTD.  
 Units 6-8, Sunray Industrial Centre, 1/F  
 610 Cha Kwo Ling Road, Kowloon  
 Tel:23489211-4 Fax:(852)2727666

DWG NO. : J861-SD-PW-1001A REV. : -

REQUIRE		PROVIDED	
OPENABLE AREA	GLAZING AREA	OPENABLE AREA	GLAZING AREA
0.333	—	0.470	0.379



SEC:A-A  
PART SECTION  
X  
PRECAST FACADE  
FOR 3/F~11/F : PF-04  
FOR 12/F : PF-04B



SEC:A-A  
PART SECTION  
X  
PRECAST FACADE  
FOR 3/F~11/F : PF-01  
FOR 12/F : PF-01B

B.D. REF :

WONG TUNG & PARTNERS LTD.	
APPROVED	
APPROVED AS NOTED	
APPROVED AS NOTED & RESUBMIT	
RESUBMIT	
NO COMMENT	
REFER OTHER CONSULTANT'S COMMENTS	
Reviewed for compliance with the design intent. Comments made shall apply to all similar conditions & details, not just the ones cited. The approval shall not be construed as relieving the contractor for compliance with the contract documents & requirements.	
Reviewed By	Date

CLIENT :

**Pacific Century Premium Developments**  
盈科大衍地產發展

ARCHITECT :

**WONG TUNG & PARTNERS LIMITED**  
ARCHITECTS & PLANNERS

MAIN CONTRACTOR :

**顯利工程有限公司**  
HIEN LEE ENGINEERING CO., LTD.

STRUCTURAL ENGINEER :

**SYW & ASSOCIATES LTD.**  
STRUCTURAL ENGINEERS & AUTHORIZED PERSONNEL  
御豐建築工程師

FACADE CONSULTANT:

- NOTE :
- ALL DIMENSIONS ARE IN mm.
  - ALL ELEVATIONS ARE VIEWED FROM OUTSIDE.
  - ALL DIMENSIONS TO BE VERIFIED ON SITE BEFORE FABRICATION.

- LEGEND :
- x1 — DETAIL MARK NO.
  - x001 — REFER SHEET NO.
  - 1. F.F.L. — FINISHED FLOOR LEVEL
  - 2. S.F.L. — STRUCTURAL FLOOR LEVEL
  - 3. (R) — REVERSED DETAIL
  - 4. F. — FIXED WINDOW
  - 4. SH. — TOP HUNG WINDOW
  - 5. — LOUVER
  - 6. GLASS LEGEND
- TG01A1 — SOUTH-EAST FACADE: LOW-E IGU-YKED160J (#2)  
8mmHS CLEAR GLASS+12A+10mmT CLEAR GLASS
- TG01A2 — SOUTH-EAST FACADE: LOW-E IGU-YKED160J (#2)  
8mmHS CLEAR GLASS+12A+8mmT CLEAR GLASS
- TG03 — 10mmT LIGHT GREY TINTED GLASS
- TG04 — 8mmHS LIGHT GREY TINTED GLASS
- TG05 — 8mmHS LIGHT GREY TINTED FROSTED GLASS

GLAZING AREA
OPENABLE AREA

B	16/09/2024	REVISION SUBJECT TO ARCH.COMMENT	WN
A	26/08/2024	REVISION SUBJECT TO ARCH.COMMENT	WN
NO.	DATE	REVISED	BY

JOB NO. : J-861

PROJECT : PROPOSED RESIDENTIAL DEVELOPMENT AT NOS. 3-6 GLENEALY, CENTRAL, HONG KONG

TITLE : WINDOW SCHEDULE FOR PRECAST WINDOW

DATE : 26-06-24 SCALE : 1:30 @A3

DRAWN BY : IVAN CHECKED BY :

**美特鋁質有限公司**  
MIDI ALUMINIUM FABRICATOR LTD.  
Units 6-8, Sunray Industrial Centre, 1/F  
610 Cha Kwo Ling Road, Kowloon  
Tel:23489211-4 Fax:(852)2727666

DWG NO. : J861-SD-PW-1002 REV. : B

WINDOW MARK	W-04d 1002 9 nos.	W-04dR 1002 REVERSE WINDOW 9 nos.
LOCATION	FLAT D BATHROOM AT 3/F TO 12/F	FLAT A BATHROOM AT 3/F TO 12/F
GLAZING	TG05	TG05
WINDOW FRAME	50mm ALUM. WINDOW SECTION , 4 BAR HINGE	50mm ALUM. WINDOW SECTION , 4 BAR HINGE

WINDOW MARK	W-04dR 1002 REVERSE WINDOW 9 nos.	W-04d 1002 9 nos.
LOCATION	FLAT A BATHROOM AT 3/F TO 12/F	FLAT D BATHROOM AT 3/F TO 12/F
GLAZING	TG05	TG05
WINDOW FRAME	50mm ALUM. WINDOW SECTION , 4 BAR HINGE	50mm ALUM. WINDOW SECTION , 4 BAR HINGE