



工程指示 / 要求簡箋 ENGINEER INSTRUCTIONS(E.I.)

工程指示編號:	EI- 8330	修改版本:	-
	HK- 1688		
工程編號:	J 861	工程名稱:	己連拿利
收件人:	Maggie	發件人:	細佬
工程項目:	繪畫模圖 - 阳台及裙樓	日期:	16/09/2024

<input type="checkbox"/> 原合約工程包	<input type="checkbox"/> 原合約工程加 / 減賬 QT-	<input type="checkbox"/> 新工程報價 QT-
---------------------------------	--	------------------------------------

信件批核號碼/圖紙參考編號:	批核模具圖紙編號:
客戶指示附件:	管理內部批簽署:

<input type="checkbox"/> 初步鋁料 B.M.	<input type="checkbox"/> 加工拆圖, 然後生產	<input type="checkbox"/> 尺寸表
<input type="checkbox"/> 正式鋁料 B.M.	<input type="checkbox"/> 技術上資料/指示	<input type="checkbox"/> 報價
<input type="checkbox"/> 配件 B.M.	<input type="checkbox"/> 樣辦或貨品說明書	<input type="checkbox"/> 分判合約
<input type="checkbox"/> 其他:		


內容:	請按附頁圖紙, 安排繪畫模圖; 圖紙的CAD檔, 請見如下連結:  J:\midi_sharepoint\Public\to_hk\maggie\J861\EI8330_HK1688_C20240930-模圖CAD
完成上列要求日期:	30/09/2024

國內

<input type="checkbox"/> 生產技術總監	<input type="checkbox"/> 連附件	<input checked="" type="checkbox"/> 技術部	<input checked="" type="checkbox"/> 連附件	<input type="checkbox"/> 生產部	<input type="checkbox"/> 連附件
<input type="checkbox"/> 採購部	<input type="checkbox"/> 連附件	<input checked="" type="checkbox"/> 生產統籌部	<input checked="" type="checkbox"/> 連附件	<input type="checkbox"/> 報關組	<input type="checkbox"/> 連附件
<input checked="" type="checkbox"/> 質檢部	<input checked="" type="checkbox"/> 連附件	<input type="checkbox"/> 會計部	<input type="checkbox"/> 連附件	<input type="checkbox"/> 機械設計部	<input type="checkbox"/> 連附件
<input type="checkbox"/> 香港辦	<input type="checkbox"/> 連附件	<input type="checkbox"/> 其他:			

香港

<input type="checkbox"/> 行政部	<input type="checkbox"/> 連附件	<input type="checkbox"/> 會計部	<input type="checkbox"/> 連附件	<input type="checkbox"/> 統籌部	<input type="checkbox"/> 連附件	<input type="checkbox"/> 工程部	<input type="checkbox"/> 連附件
<input type="checkbox"/> 採購部	<input type="checkbox"/> 連附件	<input type="checkbox"/> QS部	<input type="checkbox"/> 連附件	<input type="checkbox"/> 地盤管理	<input type="checkbox"/> 連附件	<input type="checkbox"/> 維修部	<input type="checkbox"/> 連附件

*發件人簽署: 細佬	*組別成員批核簽署:
傳遞編號: HK-1688	項目經理簽署: 

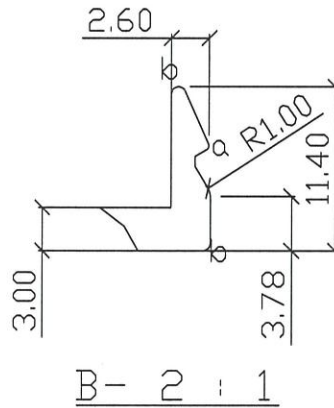
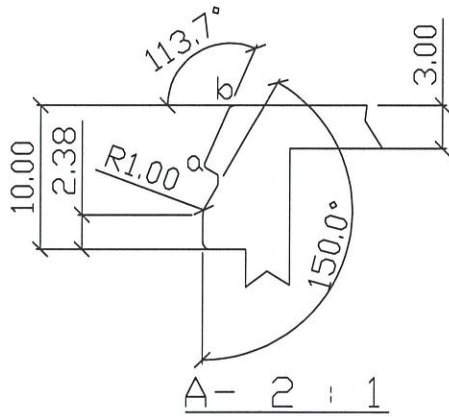
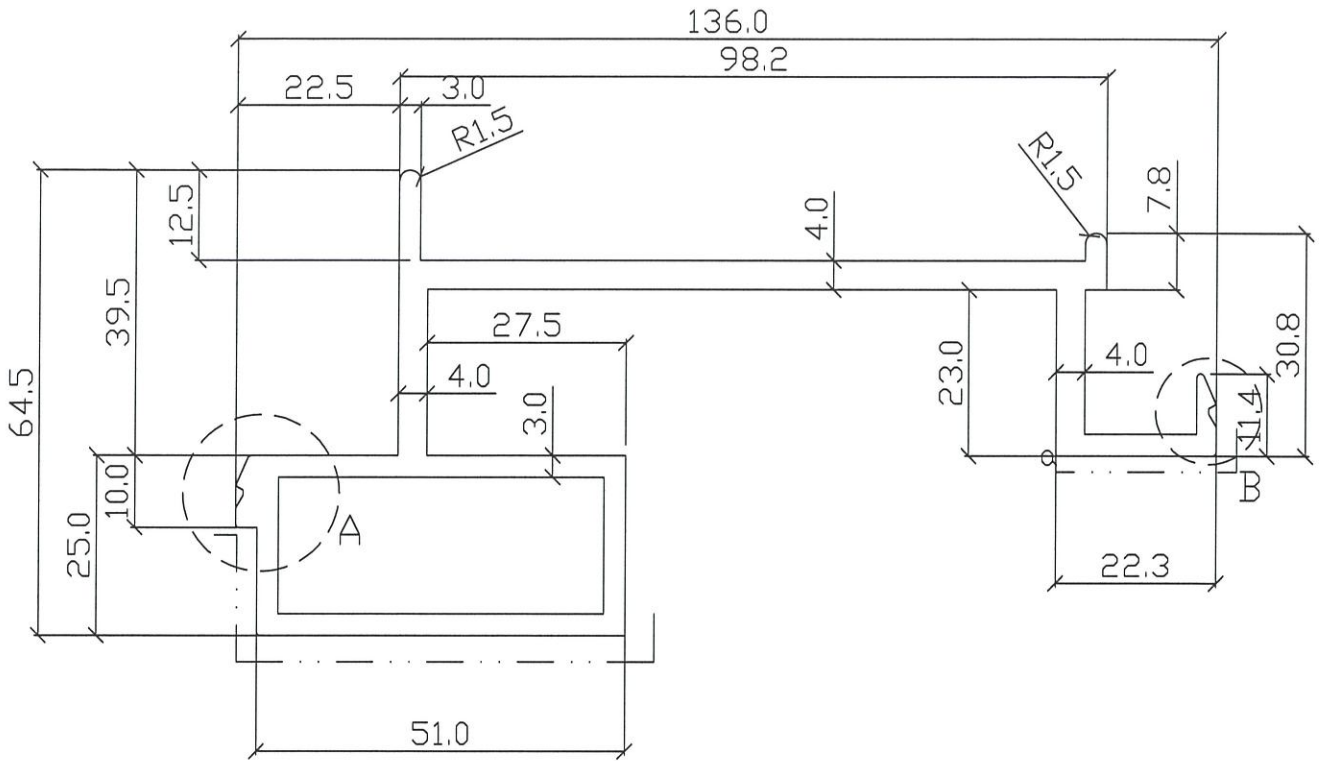


MIDI ALUMINIUM FABRICATOR LTD.

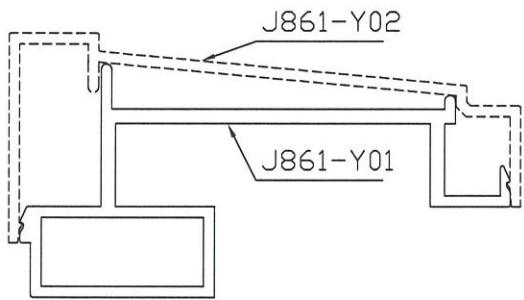
DRAWING NO.  
J861-Y01

REV.

TITLE  
X86584



美特鋁質有限公司  
承認圖面  
日期 16/9



aa=R0.3  
bb=R0.5

APPROVED :  
  
6063-T6

V.F

SECTIONAL AREA	mm <sup>2</sup>	ADDITIONAL TOLERANCE	DATE	REVISION			
				NO.	DATE	NAME	DESCRIPTION
1139.1		Thickness ± 0.1 mm	04/09/2024				
WEIGHT	KG/M	Flatness 0.1 /25mm width	SCALE				
3.806		Straightness 0.3 /300mm	1 : 1				
PERIMETER	mm	Twist 0.5° /300 mm max	DRAWN				
655.4		Angularity ± 1.0 degree	-				
V.F.	mm		CHECK				
90							



MIDI ALUMINIUM FABRICATOR LTD.

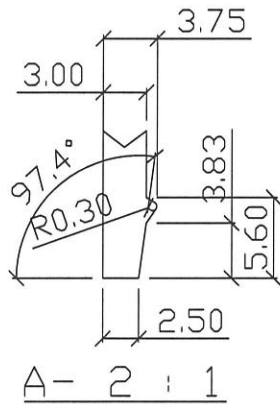
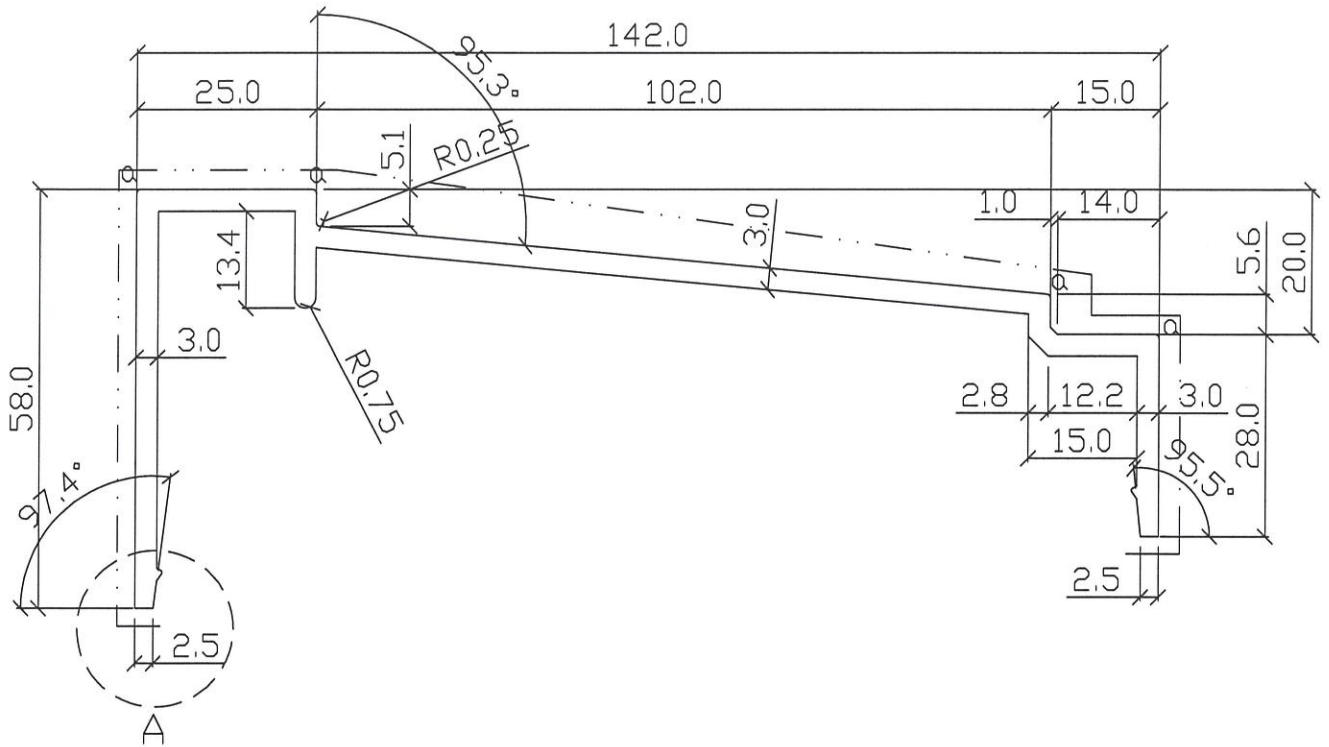
DRAWING NO.

J861-Y02

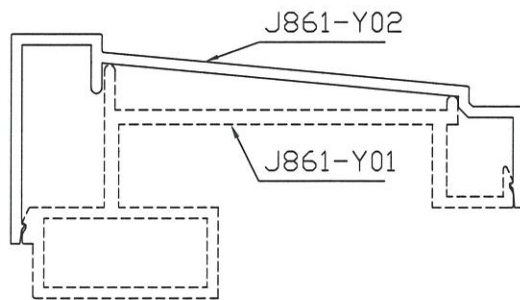
REV.

TITLE

X86585



美特鋁質有限公司  
承認圖面  
日期 16/9



aa=R0.3  
bb=R0.5

APPROVED :  
  
6063-T6

SECTIONAL AREA	mm <sup>2</sup>	ADDITIONAL TOLERANCE	DATE	REVISION			
				NO.	DATE	NAME	DESCRIPTION
719.36		Thickness ± 0.1 mm	04/09/2024				
WEIGHT	KG/M	Flatness 0.1 /25mm width	SCALE				
1.949		Straightness 0.3 /300mm	1 : 1				
PERIMETER	mm	Twist 0.5° /300 mm max	DRAWN				
484.6		Angularity ± 1.0 degree	-				
V.F.	mm		CHECK				
243							



MIDI ALUMINIUM FABRICATOR LTD.

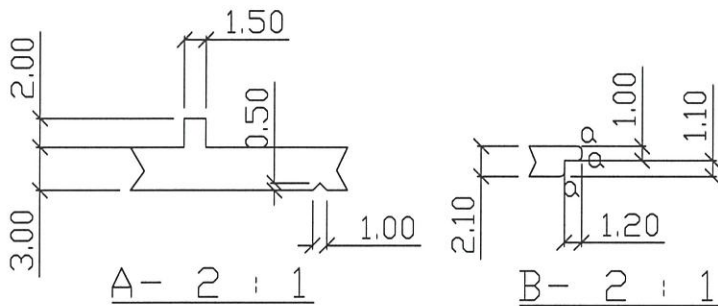
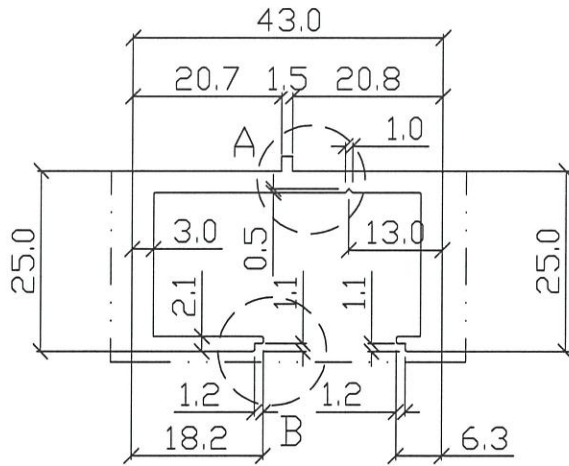
DRAWING NO.

J861-Y03

REV.

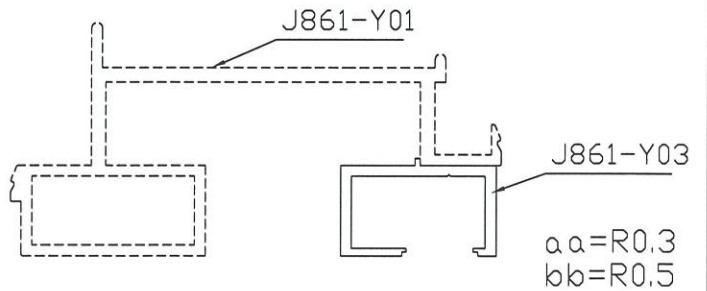
TITLE

X86586



美特鋁質有限公司  
承認圖面  
日期 16/9

V.F.



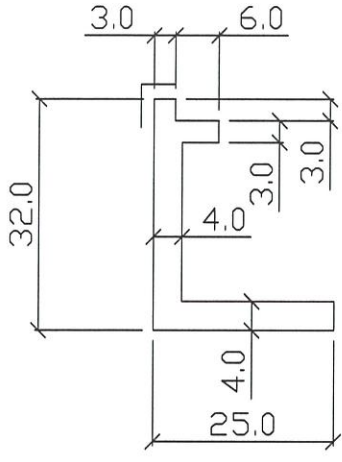
APPROVED :

6063-T6

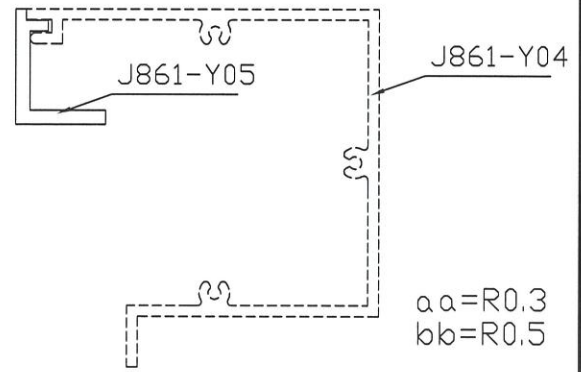
SECTIONAL AREA	mm <sup>2</sup>	ADDITIONAL TOLERANCE	DATE	REVISION			
				NO.	DATE	NAME	DESCRIPTION
299.8		Thickness ± 0.1 mm	04/09/2024				
WEIGHT	KG/M	Flatness 0.1 /25mm width	SCALE				
0.812		Straightness 0.3 /300mm	1 : 1				
PERIMETER	mm	Twist 0.5° /300 mm max	DRAWN				
220.4		Angularity ± 1.0 degree	-				
V.F.	mm		CHECK				
93							



 <b>MIDI ALUMINIUM FABRICATOR LTD.</b>	<b>DRAWING NO.</b> J861-Y05	<b>REV.</b>	<b>TITLE</b> X86588
--	--------------------------------	-------------	------------------------



**美特鋁質有限公司**  
 承認圖面 *AP*  
 日期 16/9



--- V.F. ---

APPROVED :

6063-T6

SECTIONAL AREA mm <sup>2</sup> 223.9	ADDITIONAL TOLERANCE Thickness ± 0.1 mm Flatness 0.1 /25mm width	DATE 04/09/2024	REVISION			
WEIGHT KG/M 0.606	Straightness 0.3 /300mm Twist 0.5° /300 mm max	SCALE 1 : 1	NO.	DATE	NAME	DESCRIPTION
PERIMETER mm 123.9	Angularity ± 1.0 degree	DRAWN -				
V.F. 20		CHECK				



MIDI ALUMINIUM FABRICATOR LTD.

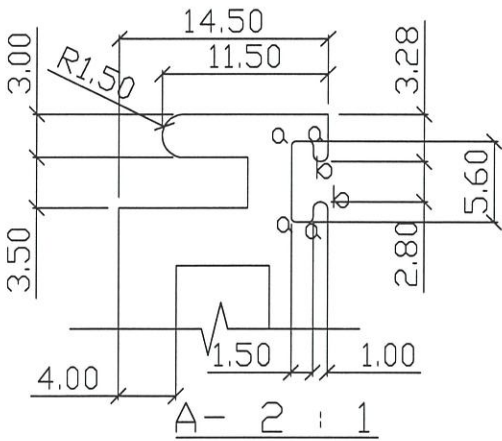
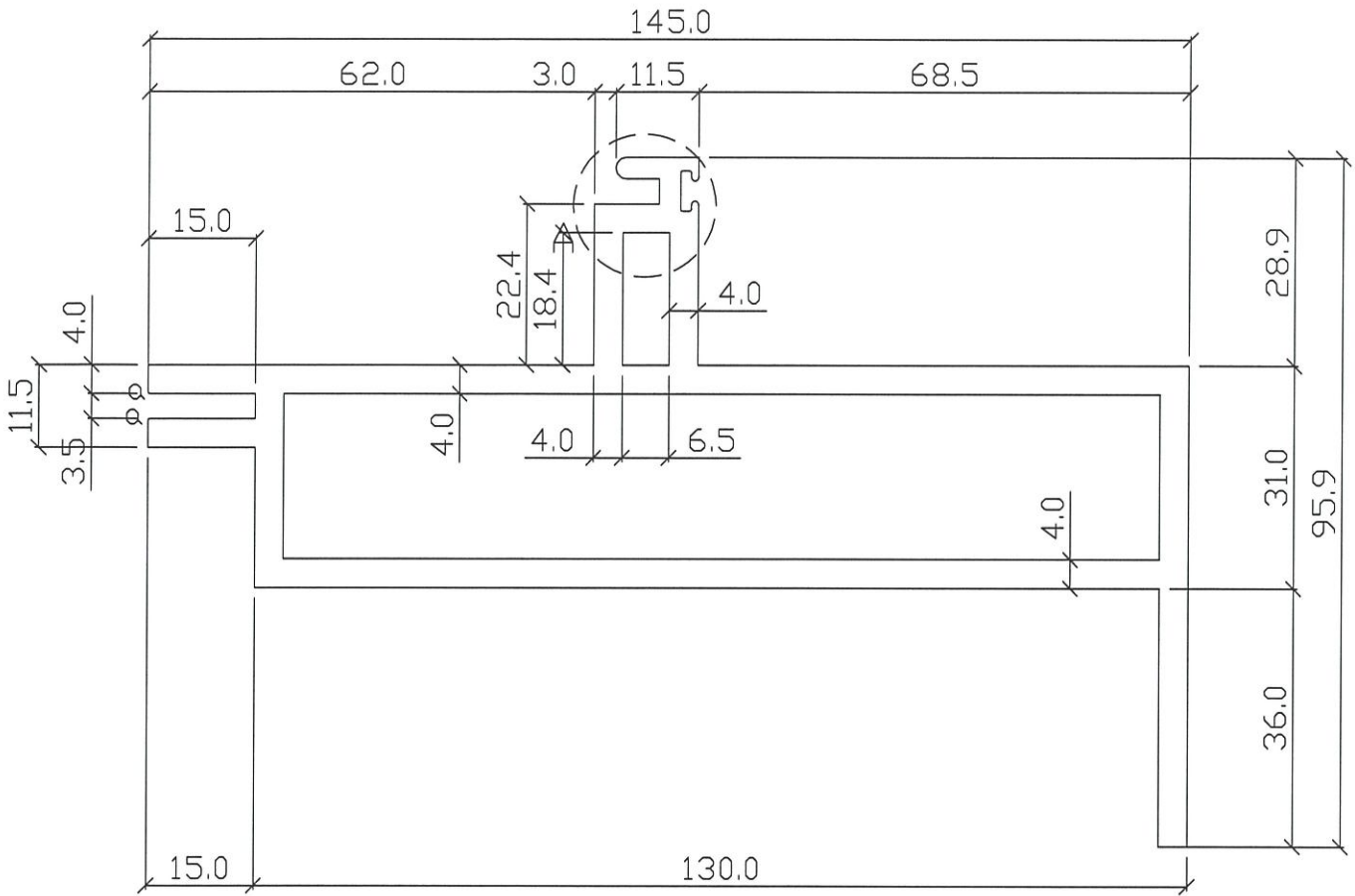
DRAWING NO.

J861-Y06

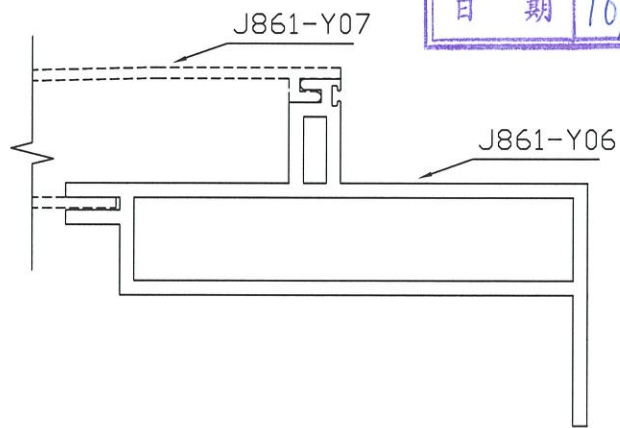
REV.

TITLE

X86589



V.F

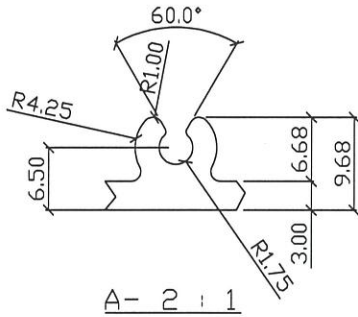
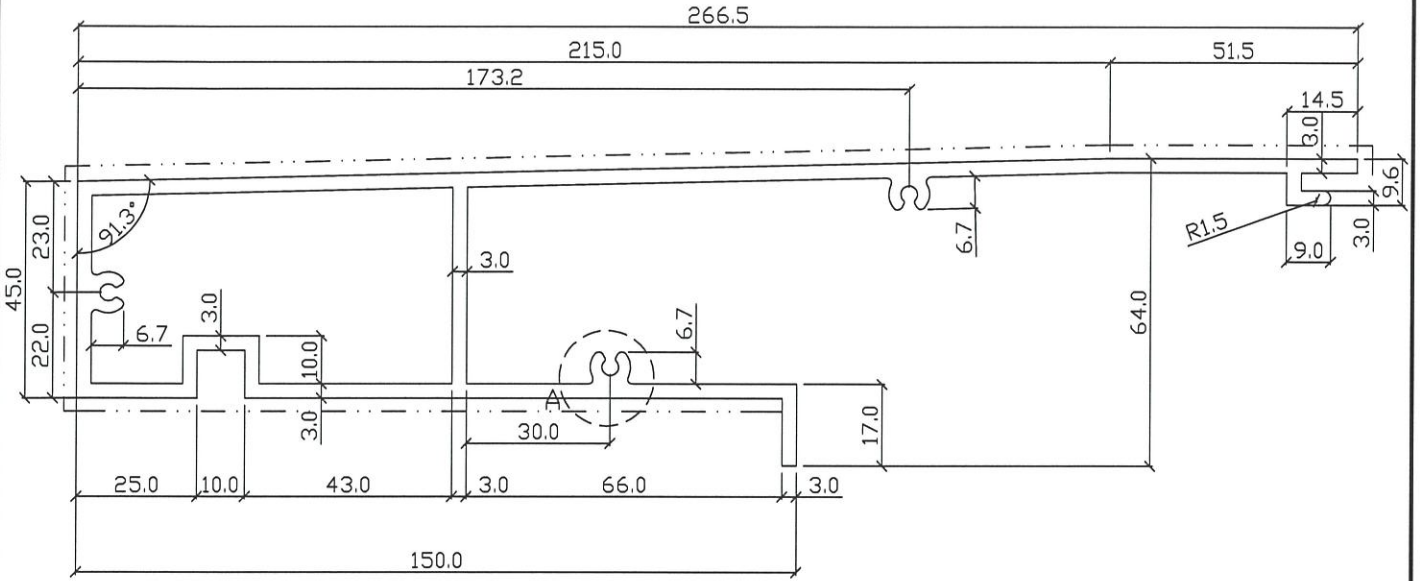


aa=R0.3  
bb=R0.5

APPROVED :

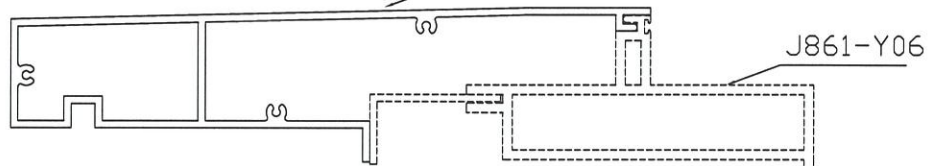
6063-T6

SECTIONAL AREA	mm <sup>2</sup>	ADDITIONAL TOLERANCE	DATE	REVISION			
				NO.	DATE	NAME	DESCRIPTION
1734		Thickness ± 0.1 mm	04/09/2024				
WEIGHT	KG/M	Flatness 0.1 /25mm width	SCALE				
4.699		Straightness 0.3 /300mm	1 : 1				
PERIMETER	mm	Twist 0.5° /300 mm max	DRAWN				
871.3		Angularity ± 1.0 degree	-				
V.F.	mm		CHECK				
0							



美特鋁質有限公司  
承認圖面  
日期 16/9

J861-Y07



V.F.

APPROVED :  
  
6063-T6

aa=R0.3  
bb=R0.5

SECTIONAL AREA	mm <sup>2</sup>	ADDITIONAL TOLERANCE	DATE	REVISION			
				NO.	DATE	NAME	DESCRIPTION
1742		Thickness ± 0.1 mm	04/09/2024				
WEIGHT	KG/M	Flatness 0.1 /25mm width	SCALE				
4.721		Straightness 0.3 /300mm	1 : 1				
PERIMETER	mm	Twist 0.5° /300 mm max	DRAWN				
1146		Angularity ± 1.0 degree	-				
V.F.	mm		CHECK				
498.5							

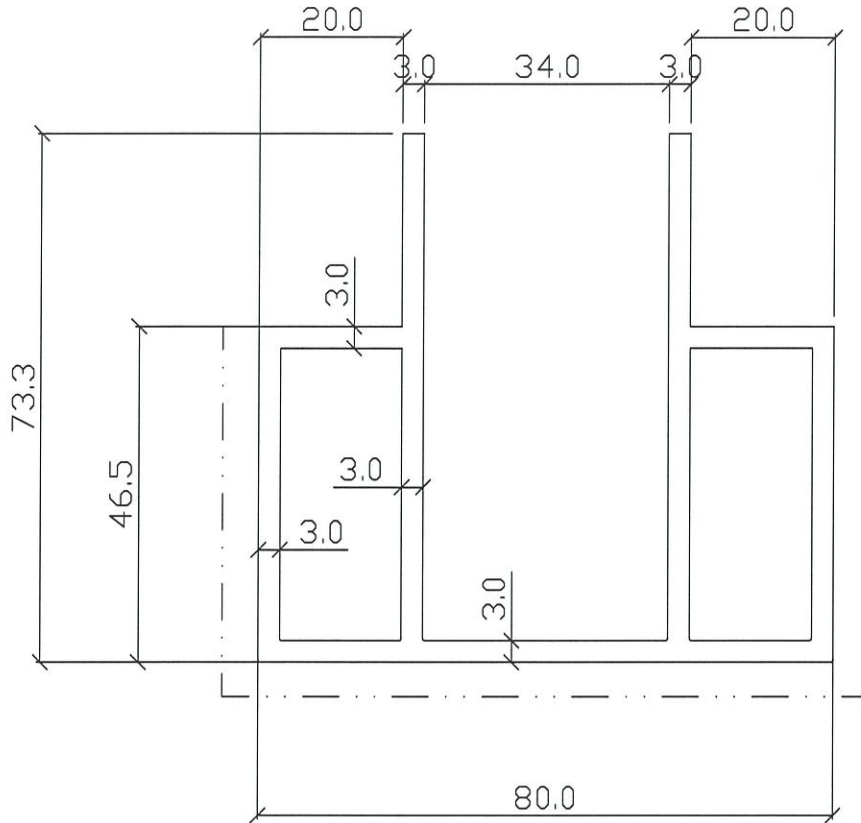


MIDI ALUMINIUM FABRICATOR LTD.

DRAWING NO.  
J861-Y08

REV.

TITLE  
X86591



美特鋁質有限公司  
 承認圖面  
 日期 16/9

V.F.

APPROVED :

6063-T6

aa=R0.3  
bb=R0.5

SECTIONAL AREA		ADDITIONAL TOLERANCE		DATE	REVISION			
1024.8	mm <sup>2</sup>	Thickness	± 0.1 mm	04/09/2024	NO.	DATE	NAME	DESCRIPTION
2.78	KG/M	Flatness	0.1 /25mm width	SCALE				
676.4	mm	Straightness	0.3 /300mm	1 : 1				
V.F.	mm	Twist	0.5° /300 mm max	DRAWN				
173	mm	Angularity	± 1.0 degree	CHECK				



MIDI ALUMINIUM FABRICATOR LTD.

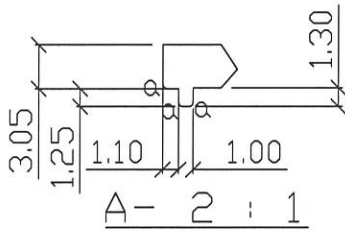
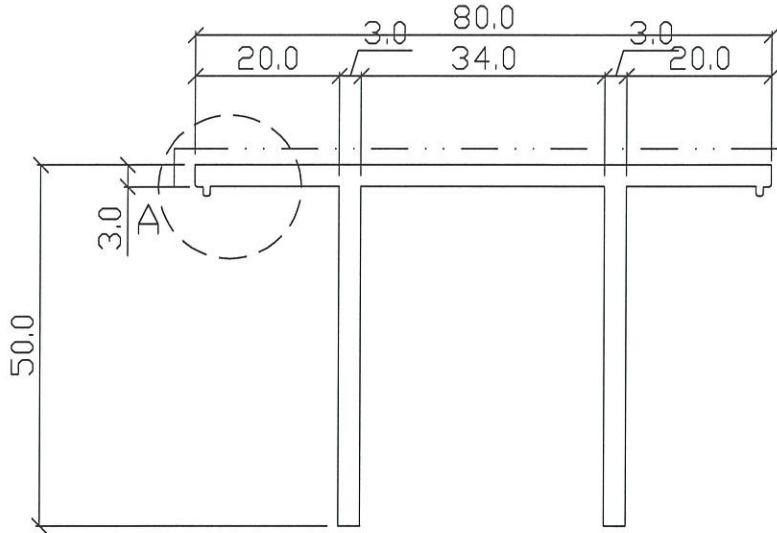
DRAWING NO.

J861-Y09

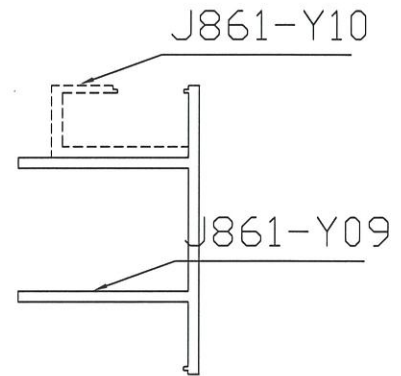
REV.

TITLE

X86592



美特鋁質有限公司	
承認圖面	<i>[Signature]</i>
日期	16/9



--- V.F. ---

APPROVED :

6063-T6

aa=R0.3  
bb=R0.5

SECTIONAL AREA	mm <sup>2</sup>	ADDITIONAL TOLERANCE	DATE	REVISION			
				NO.	DATE	NAME	DESCRIPTION
524.8		Thickness ± 0.1 mm	04/09/2024				
WEIGHT	KG/M	Flatness 0.1 /25mm width	SCALE				
1.422		Straightness 0.3 /300mm	1 : 1				
PERIMETER	mm	Twist 0.5° /300 mm max	DRAWN				
358.5		Angularity ± 1.0 degree	-				
V.F.	mm		CHECK				
86							



MIDI ALUMINIUM FABRICATOR LTD.

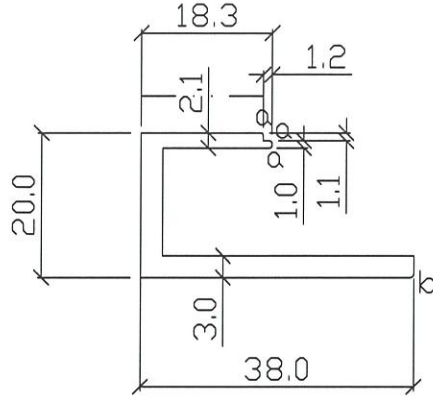
DRAWING NO.

J861-Y10

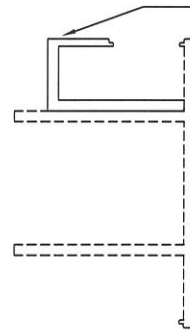
REV.

TITLE

X86593



J861-Y10



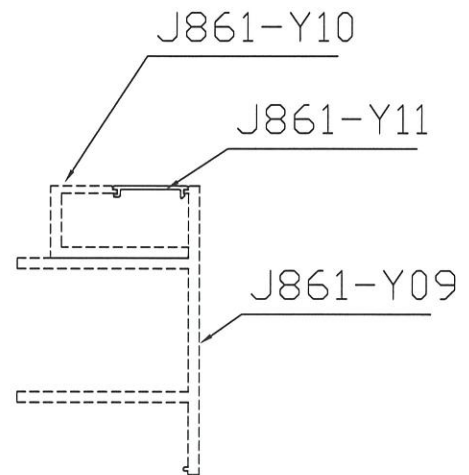
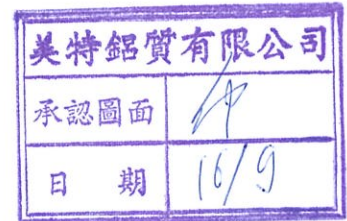
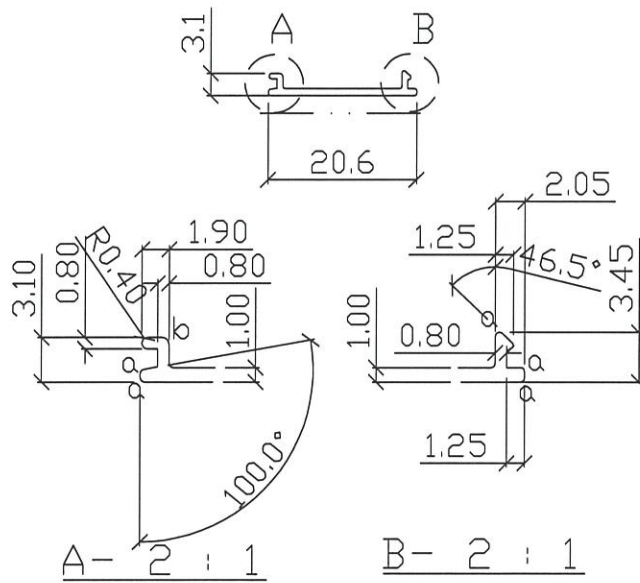
... V.F. ...

APPROVED :

6063-T6

aa=R0.3  
bb=R0.5

SECTIONAL AREA	mm <sup>2</sup>	ADDITIONAL TOLERANCE	DATE	REVISION			
				NO.	DATE	NAME	DESCRIPTION
195.5		Thickness ± 0.1 mm	04/09/2024				
WEIGHT	KG/M	Flatness 0.1 /25mm width	SCALE				
0.531		Straightness 0.3 /300mm	1 : 1				
PERIMETER	mm	Twist 0.5° /300 mm max	DRAWN				
145.8		Angularity ± 1.0 degree	-				
V.F.	mm		CHECK				
19							



V.F.

APPROVED :

6063-T5

aa=R0.3  
bb=R0.5

SECTIONAL AREA	mm <sup>2</sup>	ADDITIONAL TOLERANCE	DATE	REVISION			
				NO.	DATE	NAME	DESCRIPTION
25.1		Thickness ± 0.1 mm	04/09/2024				
WEIGHT	KG/M	Flatness 0.1 /25mm width	SCALE				
0.068		Straightness 0.3 /300mm	1 : 1				
PERIMETER	mm	Twist 0.5° /300 mm max	DRAWN				
53.1		Angularity ± 1.0 degree	-				
V.F.	mm		CHECK				
21							

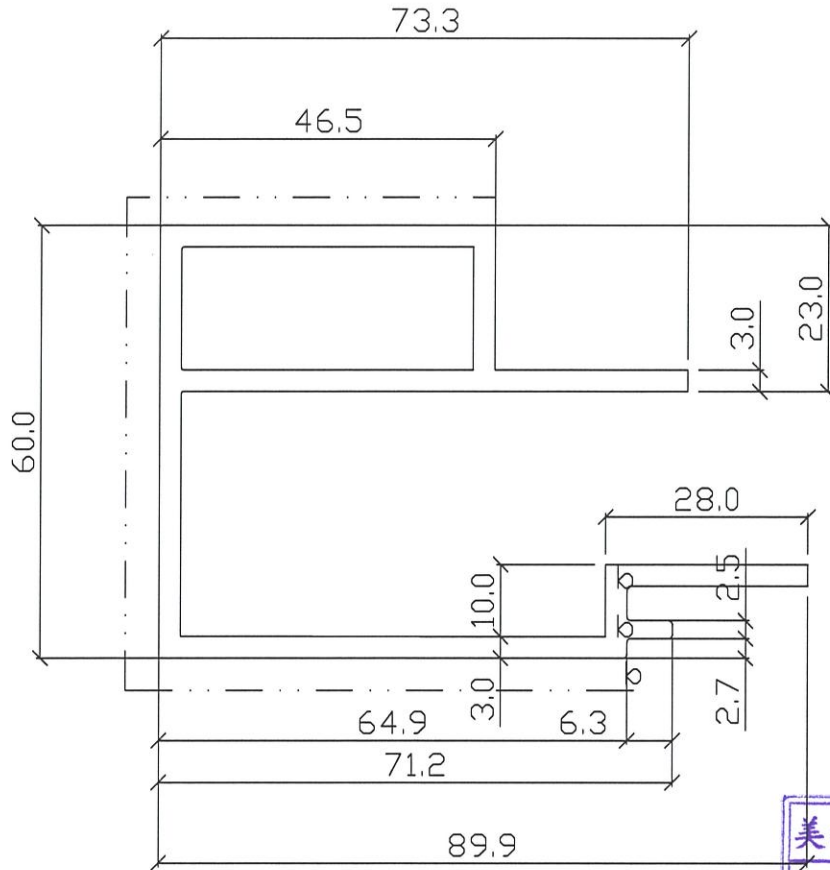


MIDI ALUMINIUM FABRICATOR LTD.

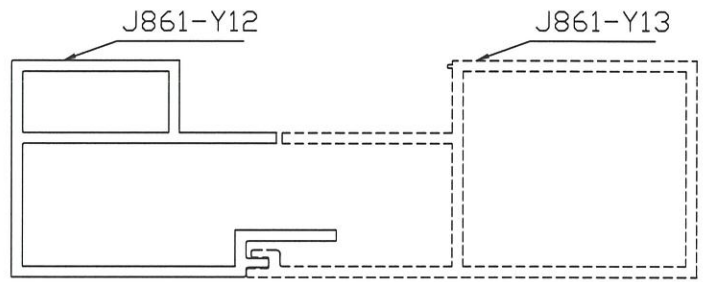
DRAWING NO.  
J861-Y12

REV.

TITLE  
X86595



美特鋁質有限公司  
承認圖面  
日期 16/9



... V.F. ...

APPROVED :

6063-T6

aa=R0.3  
bb=R0.5

SECTIONAL AREA	mm <sup>2</sup>	878.8	ADDITIONAL TOLERANCE	DATE	REVISION			
			Thickness ± 0.1 mm	04/09/2024	NO.	DATE	NAME	DESCRIPTION
WEIGHT	KG/M	2.382	Flatness 0.1 /25mm width	SCALE				
			Straightness 0.3 /300mm	1 : 1				
PERIMETER	mm	586.2	Twist 0.5° /300 mm max	DRAWN				
			Angularity ± 1.0 degree	-				
V.F.	mm	172		CHECK				





MIDI ALUMINIUM FABRICATOR LTD.

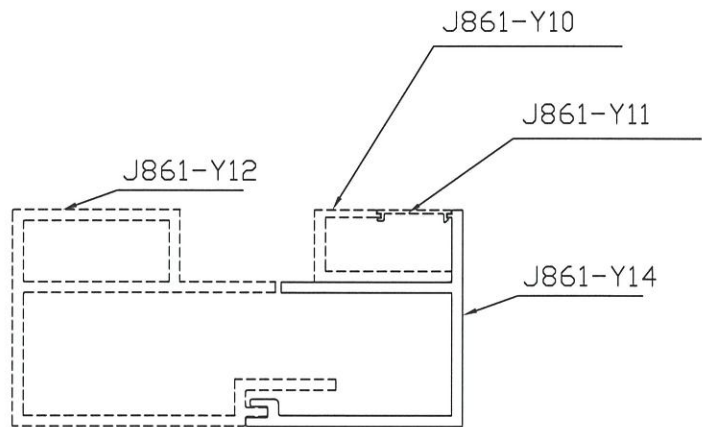
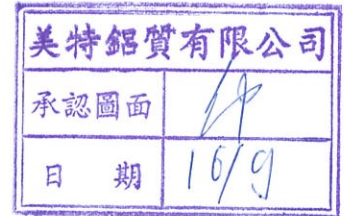
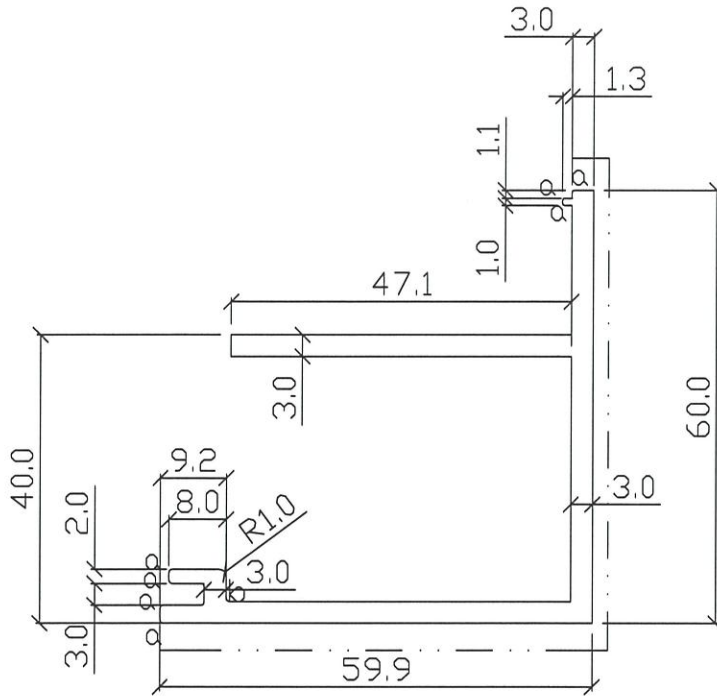
DRAWING NO.

J861-Y14

REV.

TITLE

X86597



V.F.

APPROVED :

6063-T6

aa=R0.3  
bb=R0.5

SECTIONAL AREA	mm <sup>2</sup>	513.5	ADDITIONAL TOLERANCE	DATE	REVISION						
		WEIGHT	KG/M	1.392	Thickness	± 0.1	mm	04/09/2024	NO.	DATE	NAME
PERIMETER	mm	353.5	Flatness	0.1	/25mm width	SCALE	1 : 1				
V.F.	mm	123	Straightness	0.3	/300mm	DRAWN	-				
			Twist	0.5°	/300 mm max	CHECK					
			Angularity	± 1.0	degree						



MIDI ALUMINIUM FABRICATOR LTD.

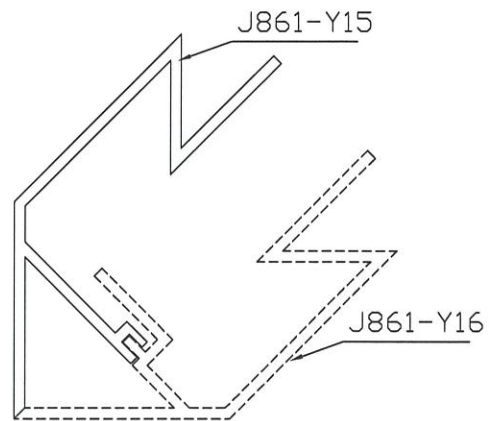
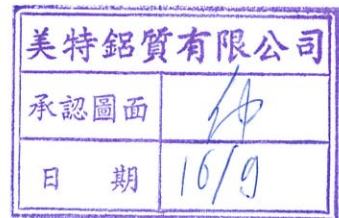
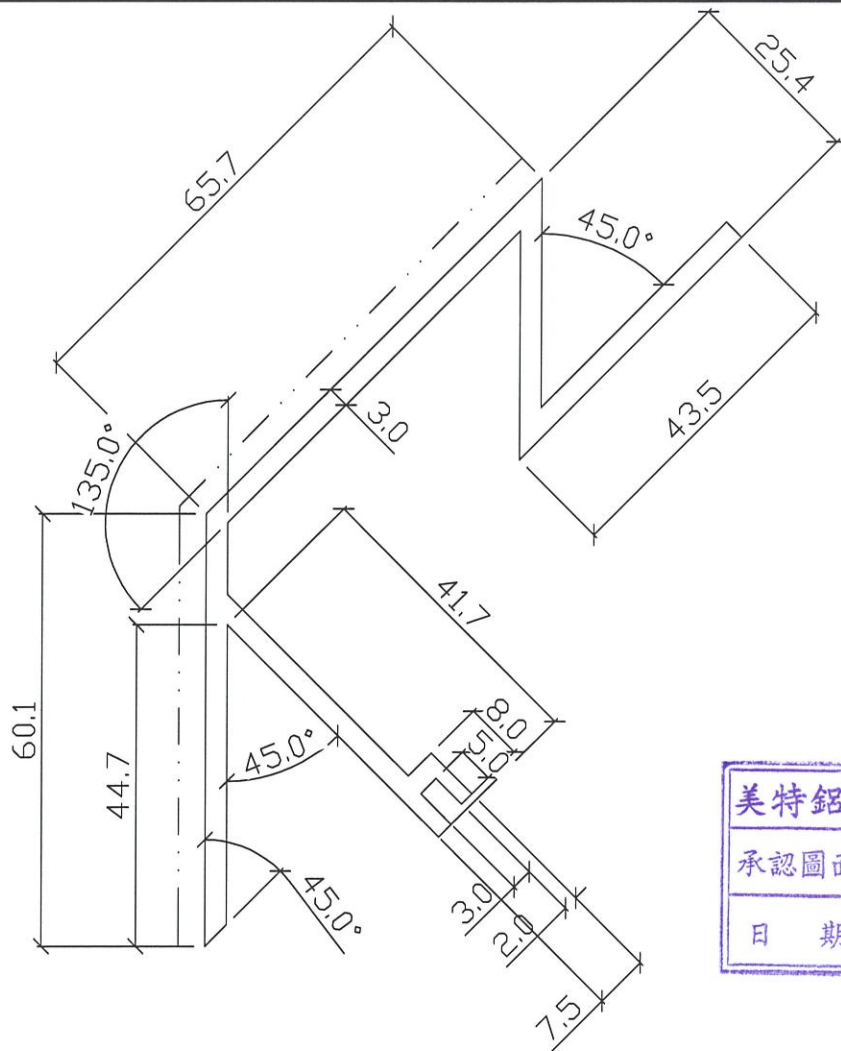
DRAWING NO.

J861-Y15

REV.

TITLE

X86598



--- V.F. ---

APPROVED :

6063-T6

aa=R0.3  
bb=R0.5

SECTIONAL AREA	mm <sup>2</sup>	ADDITIONAL TOLERANCE	DATE	REVISION			
				NO.	DATE	NAME	DESCRIPTION
723.3		Thickness ± 0.1 mm	04/09/2024				
WEIGHT	KG/M	Flatness 0.1 /25mm width	SCALE				
1.961		Straightness 0.3 /300mm	1 : 1				
PERIMETER	mm	Twist 0.5° /300 mm max	DRAWN				
493.5		Angularity ± 1.0 degree	-				
V.F.	mm		CHECK				
126							

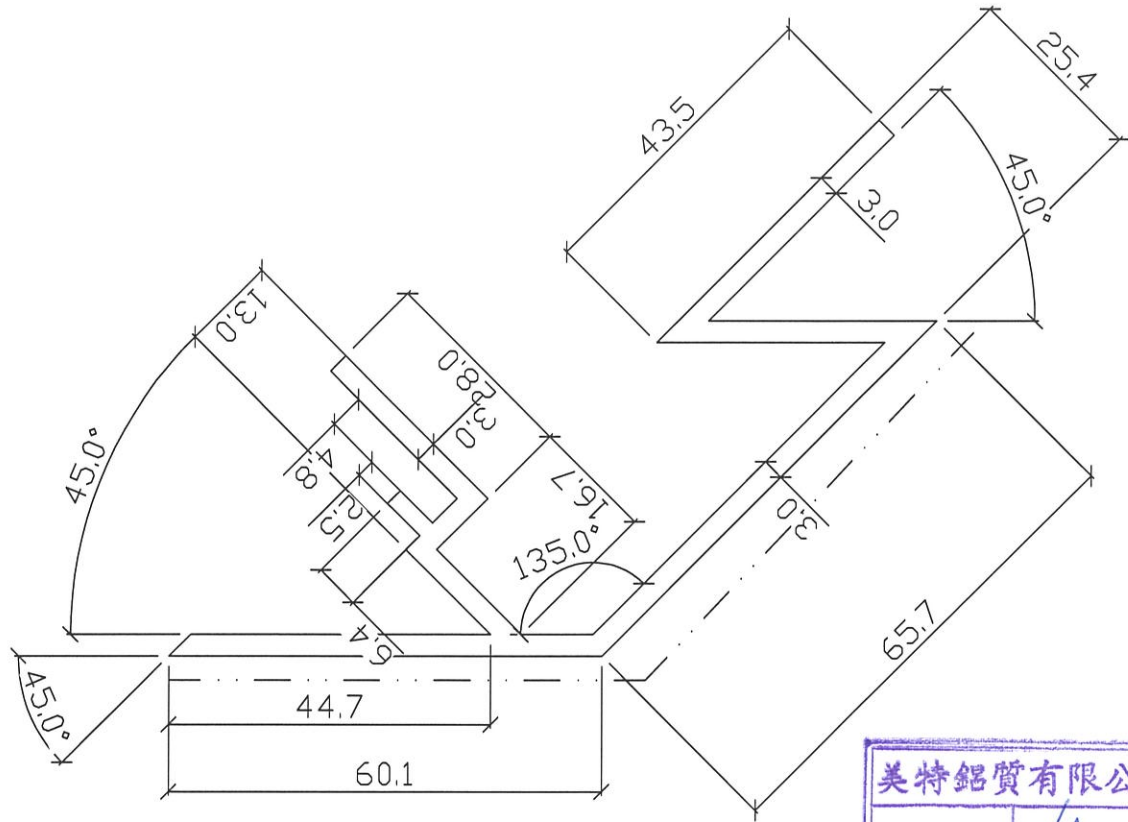


MIDI ALUMINIUM FABRICATOR LTD.

DRAWING NO.  
J861-Y16

REV.

TITLE  
X86599



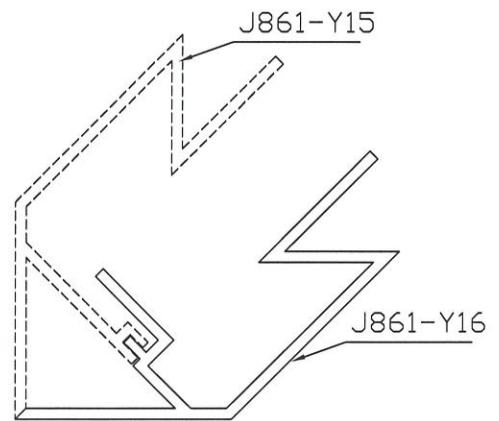
美特鋁質有限公司	
承認圖面	JP
日期	16/9

--- V.F. ---

APPROVED :

6063-T6

aa=R0.3  
bb=R0.5



SECTIONAL AREA	mm <sup>2</sup>	ADDITIONAL TOLERANCE	DATE	REVISION			
				NO.	DATE	NAME	DESCRIPTION
748.7		Thickness ± 0.1 mm	04/09/2024				
WEIGHT	KG/M	Flatness 0.1 /25mm width	SCALE				
2.029		Straightness 0.3 /300mm	1 : 1				
PERIMETER	mm	Twist 0.5° /300 mm max	DRAWN				
507.3		Angularity ± 1.0 degree	-				
V.F.	mm		CHECK				
126							

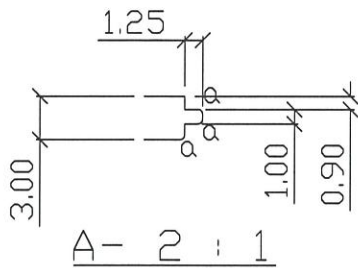
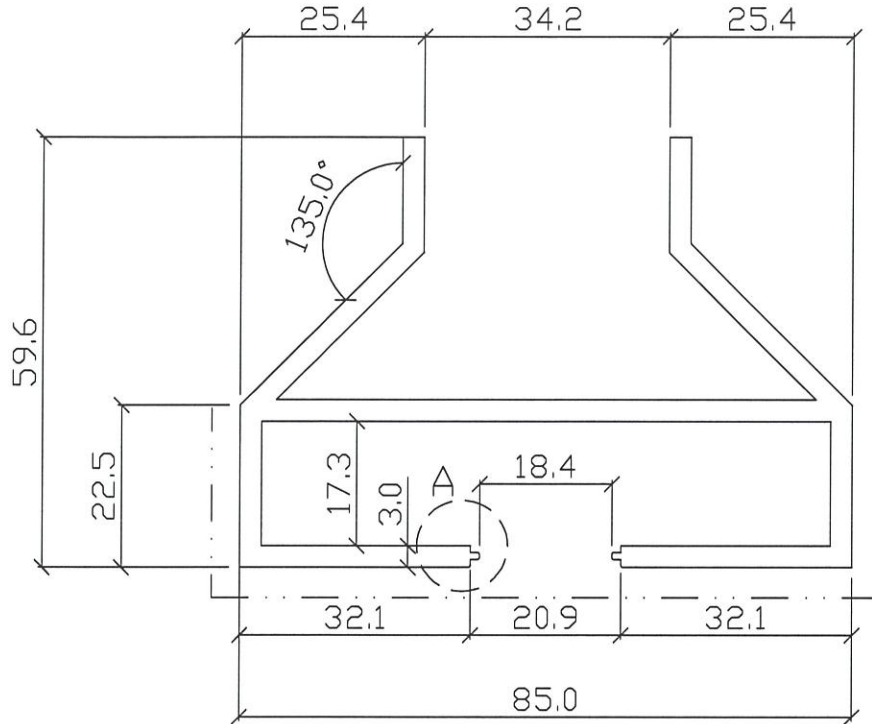


MIDI ALUMINIUM FABRICATOR LTD.

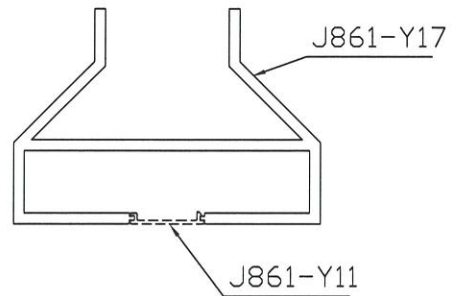
DRAWING NO.  
J861-Y17

REV.

TITLE  
X86600



美特鋁質有限公司  
承認圖面  
日期 16/9



V.F.

APPROVED :

6063-T6

aa=R0.3  
bb=R0.5

SECTIONAL AREA 823.2 mm <sup>2</sup>	ADDITIONAL TOLERANCE	DATE	REVISION			
	Thickness ± 0.1 mm	04/09/2024	NO.	DATE	NAME	DESCRIPTION
WEIGHT 2.231 KG/M	Flatness 0.1 /25mm width	SCALE 1 : 1				
PERIMETER 554.3 mm	Straightness 0.3 /300mm	DRAWN -				
V.F. 130 mm	Twist 0.5° /300 mm max	CHECK				
	Angularity ± 1.0 degree					

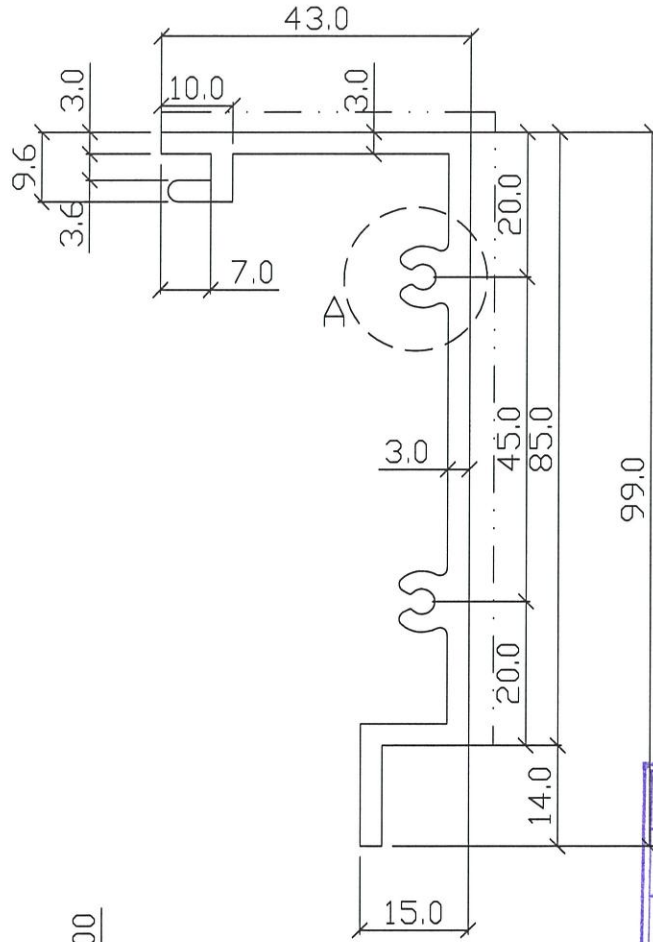


MIDI ALUMINIUM FABRICATOR LTD.

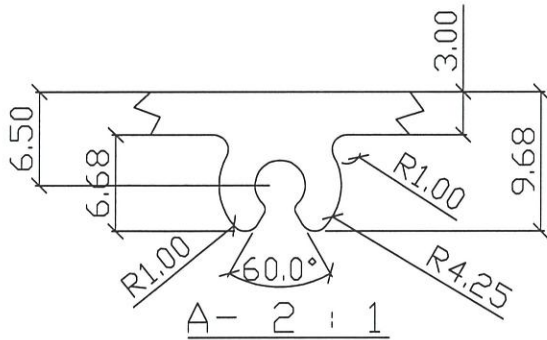
DRAWING NO.  
J861-Y18

REV.

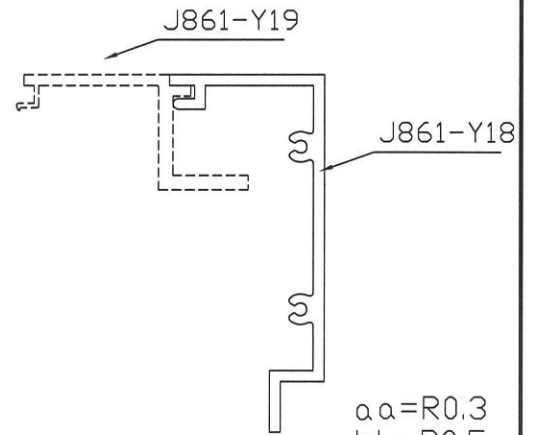
TITLE  
X86601



美特鋁質有限公司  
承認圖面  
日期 16/9



V.F.



APPROVED :

6063-T6

SECTIONAL AREA	mm <sup>2</sup>	565.5	ADDITIONAL TOLERANCE	DATE	REVISION			
			Thickness ± 0.1 mm	04/09/2024	NO.	DATE	NAME	DESCRIPTION
WEIGHT	KG/M	1.533	Flatness 0.1 /25mm width	SCALE				
			Straightness 0.3 /300mm	1 : 1				
PERIMETER	mm	373.3	Twist 0.5° /300 mm max	DRAWN				
			Angularity ± 1.0 degree	-				
V.F.	mm	142		CHECK				

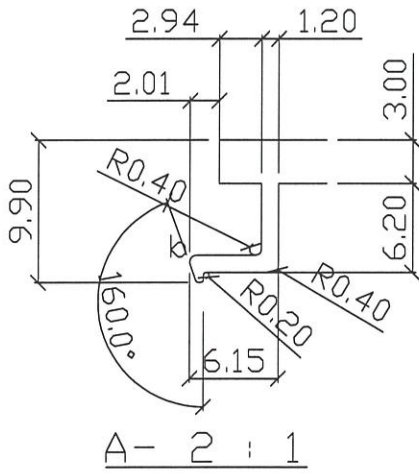
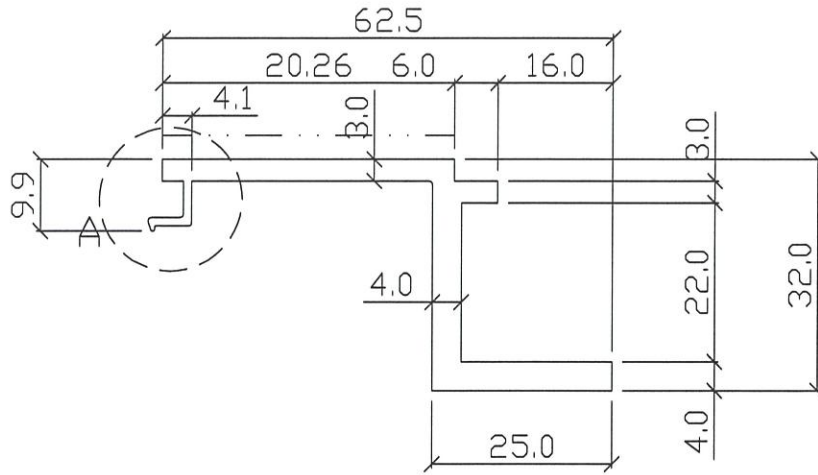


MIDI ALUMINIUM FABRICATOR LTD.

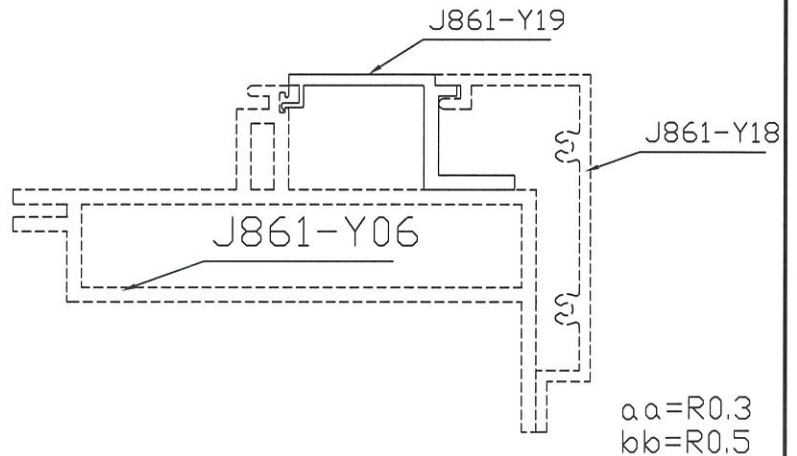
DRAWING NO.  
J861-Y19

REV.

TITLE  
X86602



美特鋁質有限公司	
承認圖面	fb
日期	16/9



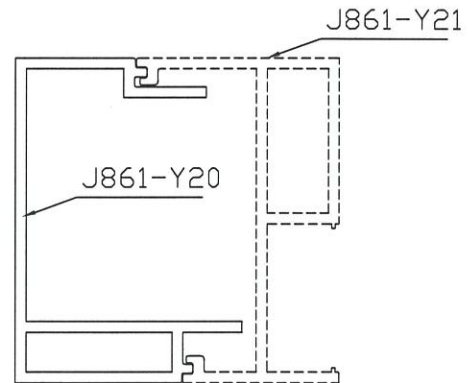
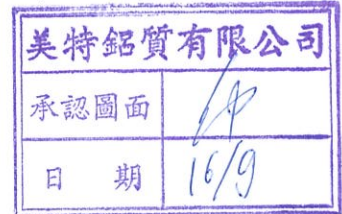
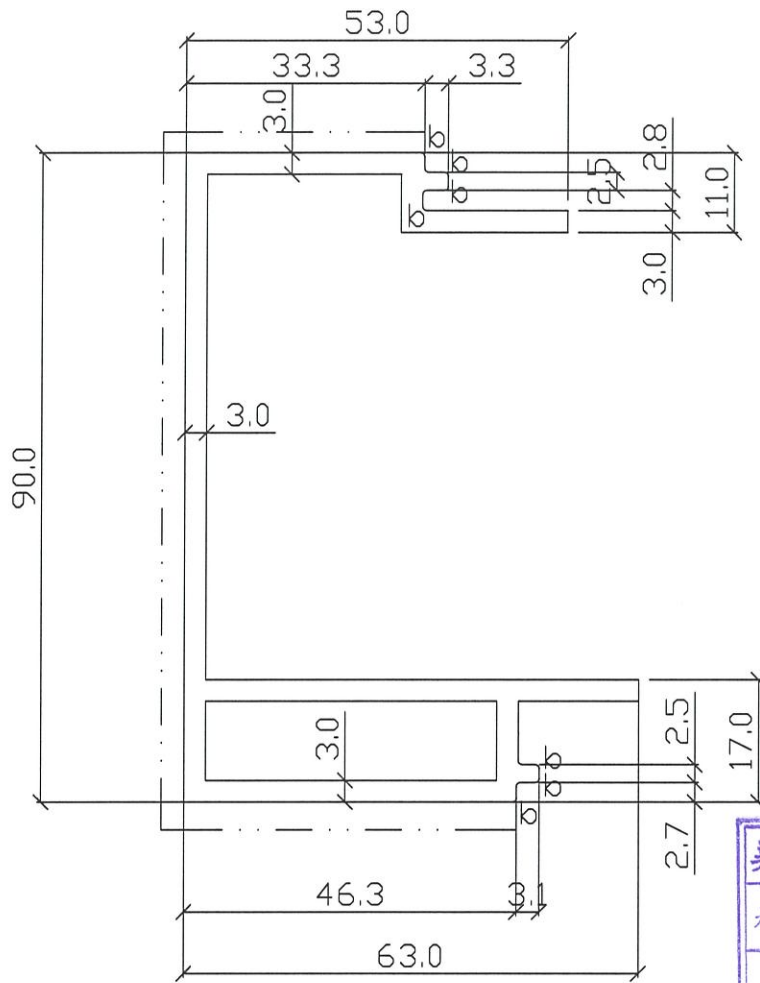
V.F.

APPROVED :

6063-T6

SECTIONAL AREA	mm <sup>2</sup>	ADDITIONAL TOLERANCE		DATE	REVISION				
		350.2	Thickness	± 0.1	mm	04/09/2024	NO.	DATE	NAME
WEIGHT	KG/M	0.949	Flatness	0.1	/25mm width	SCALE	1 : 1		
PERIMETER	mm	221.3	Straightness	0.3	/300mm	DRAWN	-		
V.F.	mm	20	Twist	0.5°	/300 mm max	CHECK			
			Angularity	± 1.0	degree				

 <b>MIDI ALUMINIUM FABRICATOR LTD.</b>	<b>DRAWING NO.</b> J861-Y20	<b>REV.</b>	<b>TITLE</b> X86603
--	--------------------------------	-------------	------------------------



aa=R0.3  
bb=R0.5

--- V.F. ---

APPROVED :

6063-T6

SECTIONAL AREA 803.3 mm <sup>2</sup>	ADDITIONAL TOLERANCE Thickness ± 0.1 mm	DATE 04/09/2024	REVISION			
WEIGHT 2.177 KG/M	Flatness 0.1 /25mm width	SCALE 1 : 1	NO.	DATE	NAME	DESCRIPTION
PERIMETER 535.4 mm	Straightness 0.3 /300mm	DRAWN -				
V.F. 170 mm	Twist 0.5° /300 mm max Angularity ± 1.0 degree	CHECK				

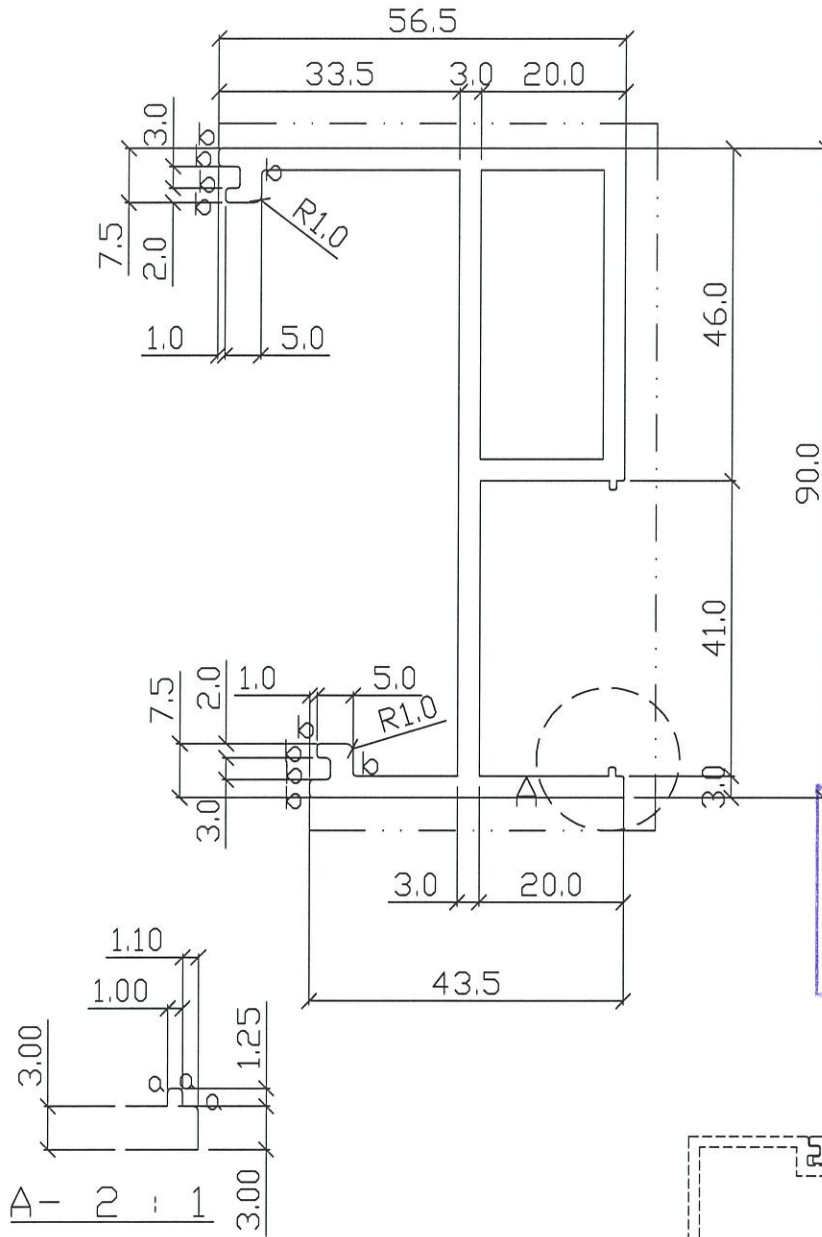


MIDI ALUMINIUM FABRICATOR LTD.

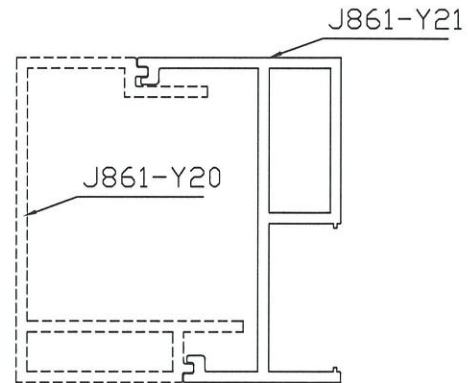
DRAWING NO.  
J861-Y20

REV.

TITLE  
X86604



美特鋁質有限公司	
承認圖面	<i>仲</i>
日期	16/9

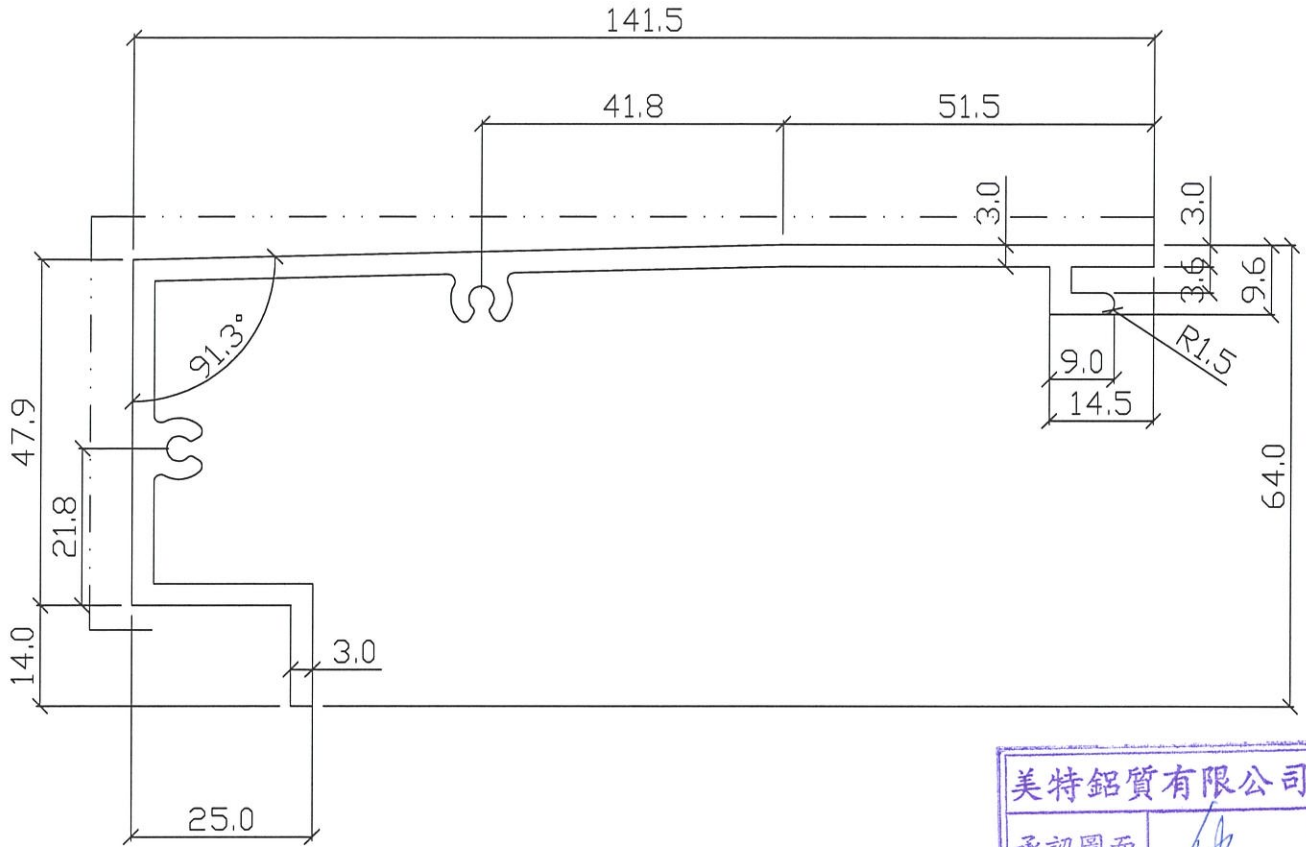



aa=R0.3  
bb=R0.5

APPROVED :  
  
6063-T6

SECTIONAL AREA	mm <sup>2</sup>	766.3	ADDITIONAL TOLERANCE	DATE	REVISION			
			Thickness ± 0.1 mm	04/09/2024	NO.	DATE	NAME	DESCRIPTION
WEIGHT	KG/M	2.077	Flatness 0.1 /25mm width	SCALE				
PERIMETER	mm	514.1	Straightness 0.3 /300mm	DRAWN				
V.F.	mm	190	Twist 0.5° /300 mm max	CHECK				
			Angularity ± 1.0 degree					

 <b>MIDI ALUMINIUM FABRICATOR LTD.</b>	<b>DRAWING NO.</b> J861-Y21	<b>REV.</b>	<b>TITLE</b> X86605
--	--------------------------------	-------------	------------------------



美特鋁質有限公司	
承認圖面	
日期	16/9

A- 2 : 1

J861-Y21

J861-Y06

--- V.F. ---

APPROVED :

6063-T6

aa=R0.3  
bb=R0.5

SECTIONAL AREA	mm <sup>2</sup>	779.9	ADDITIONAL TOLERANCE	DATE	REVISION			
			Thickness ± 0.1 mm	04/09/2024	NO.	DATE	NAME	DESCRIPTION
WEIGHT	KG/M	2.114	Flatness 0.1 /25mm width	SCALE				
			Straightness 0.3 /300mm	1 : 1				
PERIMETER	mm	516.2	Twist 0.5° /300 mm max	DRAWN				
			Angularity ± 1.0 degree	-				
V.F.	mm	189		CHECK				

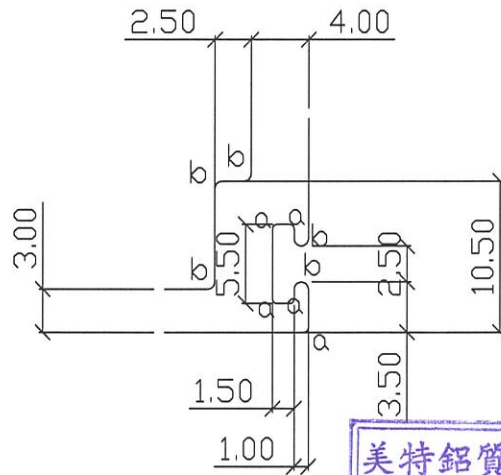
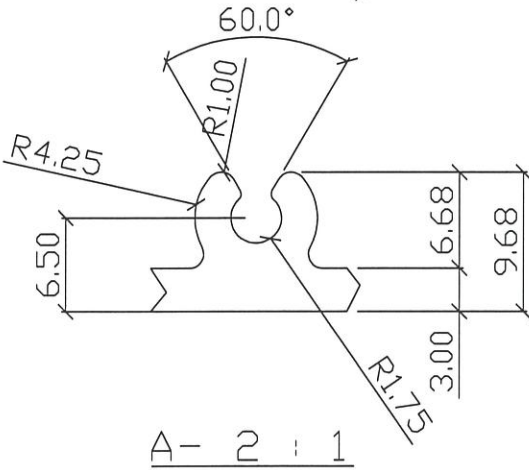
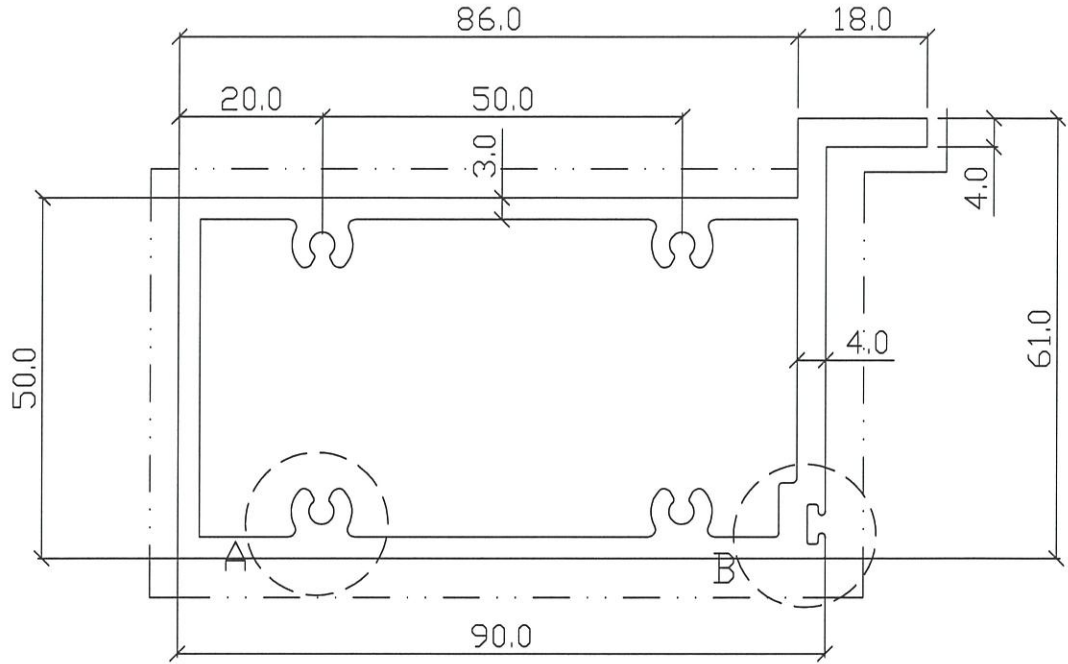


MIDI ALUMINIUM FABRICATOR LTD.

DRAWING NO.  
J861-Y22

REV.

TITLE  
X86606



美特鋁質有限公司  
承認圖面  
日期 16/9

V.F

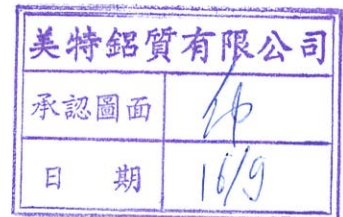
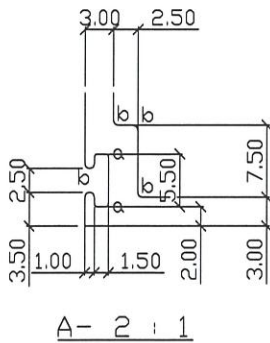
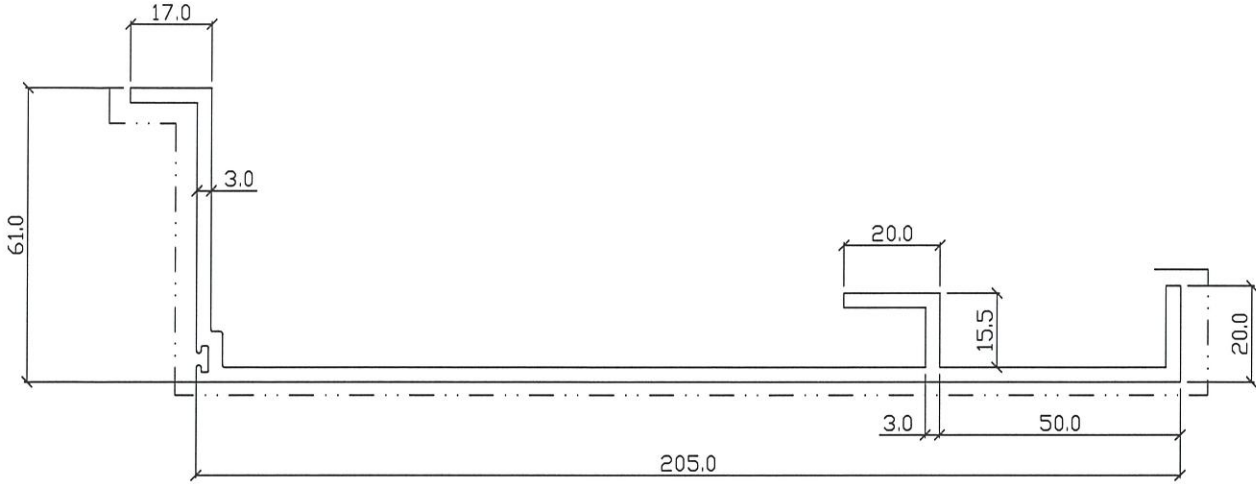
APPROVED :

6063-T6

aa=R0.3  
bb=R0.5

SECTIONAL AREA	mm <sup>2</sup>	ADDITIONAL TOLERANCE	DATE	REVISION			
1107.3		Thickness ± 0.1 mm	04/09/2024	NO.	DATE	NAME	DESCRIPTION
WEIGHT	KG/M	Flatness 0.1 /25mm width	SCALE				
3.0		Straightness 0.3 /300mm	1 : 1				
PERIMETER	mm	Twist 0.5° /300 mm max	DRAWN				
675.5		Angularity ± 1.0 degree	-				
V.F.	mm		CHECK				
312							

 <b>MIDI ALUMINIUM FABRICATOR LTD.</b>	<b>DRAWING NO.</b> J861-Y23	<b>REV.</b>	<b>TITLE</b> X86607
--	--------------------------------	-------------	------------------------



.....V.F.....

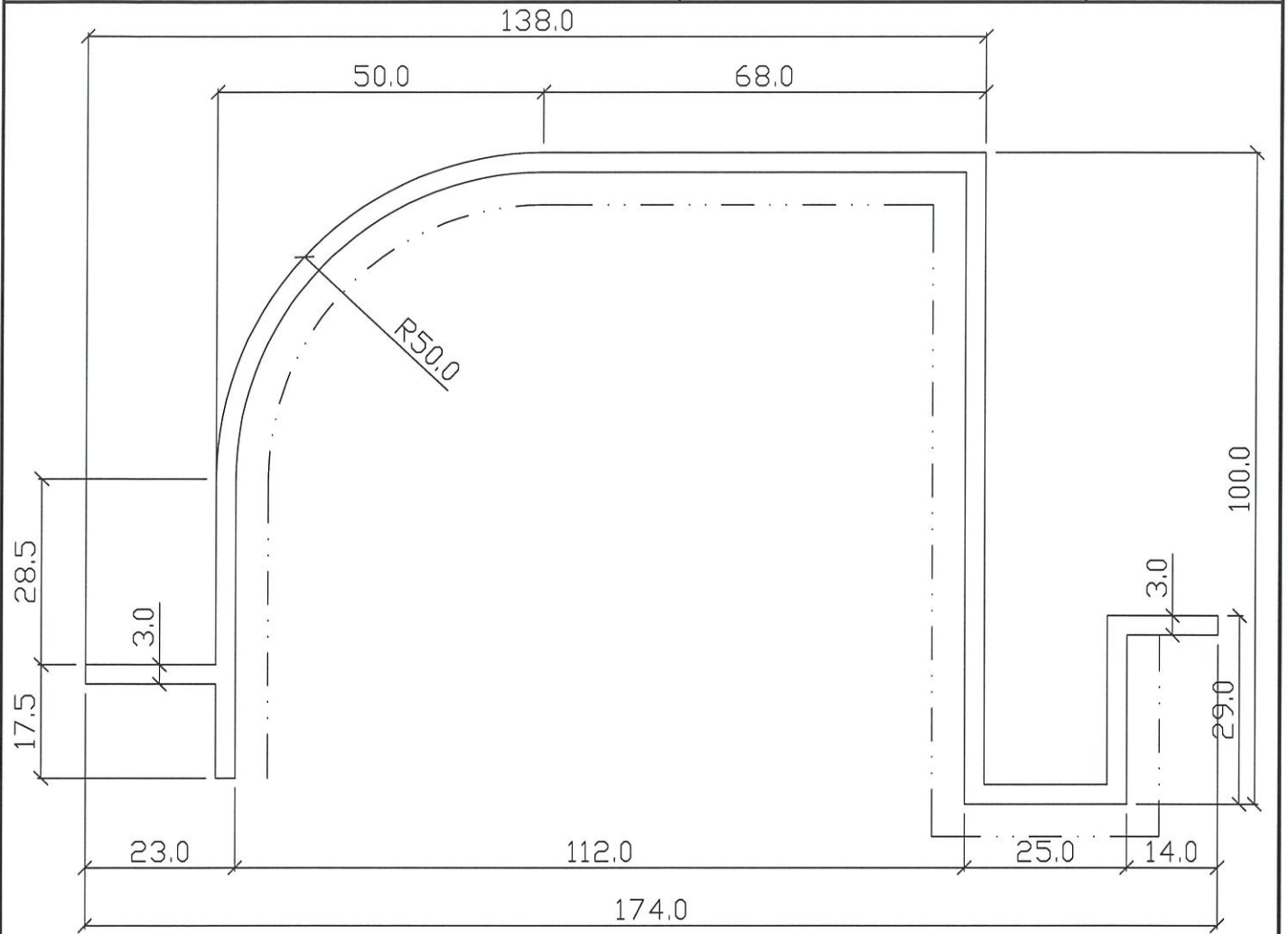
APPROVED :

6063-T6

aa=R0.3  
bb=R0.5

SECTIONAL AREA 987.4 mm <sup>2</sup>	ADDITIONAL TOLERANCE Thickness ± 0.1 mm Flatness 0.1 /25mm width	DATE 04/09/2024	REVISION			
WEIGHT 2.676 KG/M	Straightness 0.3 /300mm Twist 0.5° /300 mm max	SCALE 1 : 1	NO.	DATE	NAME	DESCRIPTION
PERIMETER 668 mm	Angularity ± 1.0 degree	DRAWN -				
V.F. 313 mm		CHECK				

 <b>MIDI ALUMINIUM FABRICATOR LTD.</b>	<b>DRAWING NO.</b> J861-Y24	<b>REV.</b>	<b>TITLE</b> X86608
--	--------------------------------	-------------	------------------------



**美特鋁質有限公司**  
 承認圖面 *sp*  
 日期 16/9

--- V.F. ---

APPROVED :

6063-T6

aa=R0.3  
bb=R0.5

SECTIONAL AREA mm <sup>2</sup> 1107.6	ADDITIONAL TOLERANCE Thickness ± 0.1 mm Flatness 0.1 /25mm width	DATE 04/09/2024	REVISION			
WEIGHT KG/M 3.0	Straightness 0.3 /300mm Twist 0.5° /300 mm max	SCALE 1 : 1	NO.	DATE	NAME	DESCRIPTION
PERIMETER mm 744.4	Angularity ± 1.0 degree	DRAWN -				
V.F. mm 335		CHECK				

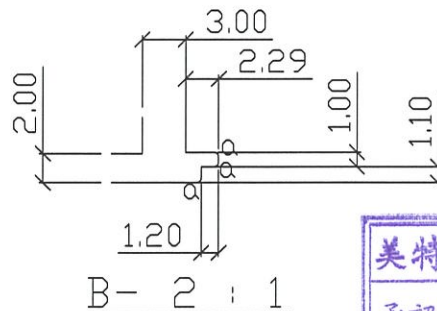
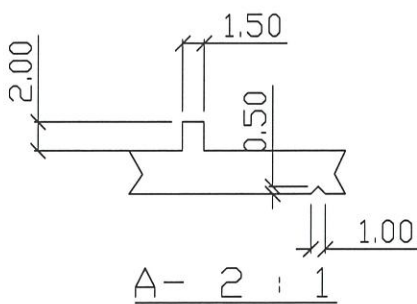
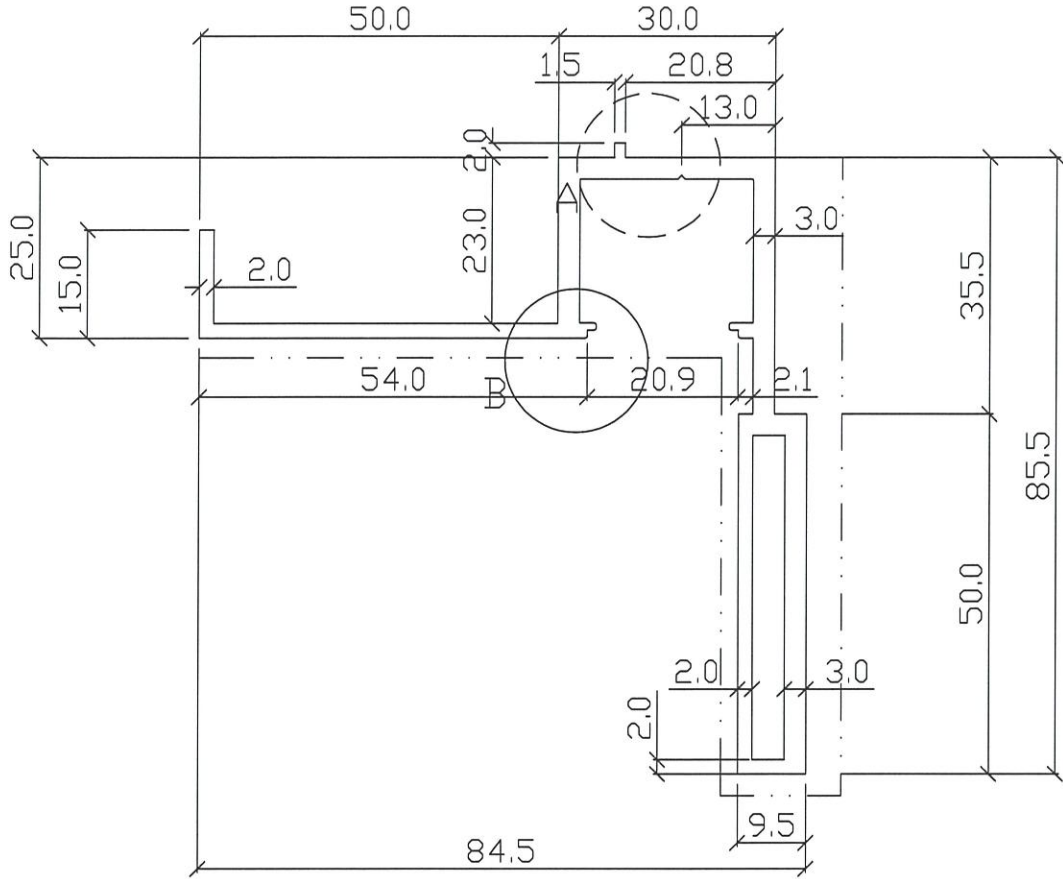


MIDI ALUMINIUM FABRICATOR LTD.

DRAWING NO.  
J861-Y25

REV.

TITLE  
X86609



... V.F. ...

美特鋁質有限公司	
承認圖面	<i>[Signature]</i>
日期	16/9

APPROVED :

6063-T6

aa=R0.3  
bb=R0.5

SECTIONAL AREA	mm <sup>2</sup>	ADDITIONAL TOLERANCE	DATE	REVISION			
				NO.	DATE	NAME	DESCRIPTION
663.6		Thickness ± 0.1 mm	04/09/2024				
WEIGHT	KG/M	Flatness 0.1 /25mm width	SCALE				
1.798		Straightness 0.3 /300mm	1 : 1				
PERIMETER	mm	Twist 0.5° /300 mm max	DRAWN				
527.5		Angularity ± 1.0 degree	-				
V.F.	mm		CHECK				
233							

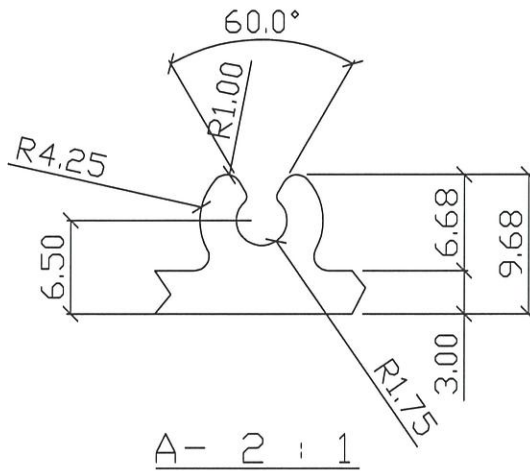
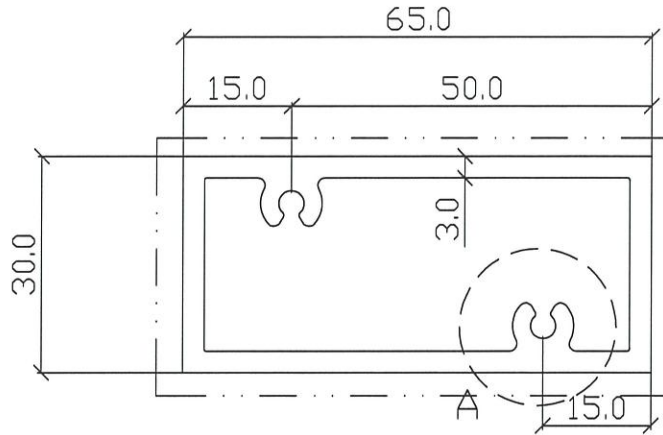


MIDI ALUMINIUM FABRICATOR LTD.

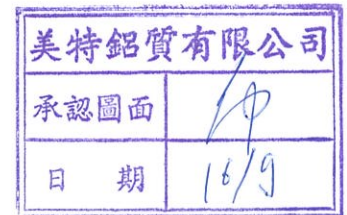
DRAWING NO.  
J861-Y26

REV.

TITLE  
X86610



A- 2 : 1



... V.F. ...

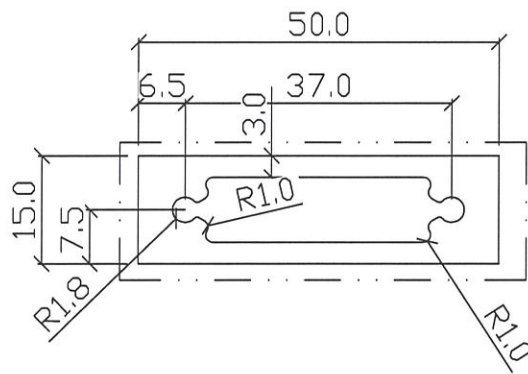
APPROVED :

6063-T6

aa=R0.3  
bb=R0.5

SECTIONAL AREA	mm <sup>2</sup>	ADDITIONAL TOLERANCE	DATE	REVISION			
				NO.	DATE	NAME	DESCRIPTION
609.7		Thickness ± 0.1 mm	04/09/2024				
WEIGHT	KG/M	Flatness 0.1 /25mm width	SCALE				
1.65		Straightness 0.3 /300mm	1 : 1				
PERIMETER	mm	Twist 0.5° /300 mm max	DRAWN				
396.7		Angularity ± 1.0 degree	-				
V.F.	mm		CHECK				
190							

 <b>MIDI ALUMINIUM FABRICATOR LTD.</b>	<b>DRAWING NO.</b> J861-Y27	<b>REV.</b> <b>TITLE</b> X86611
--	--------------------------------	---------------------------------------



... V.F. ...

美特鋁質有限公司	
承認圖面	<i>[Signature]</i>
日期	16/9

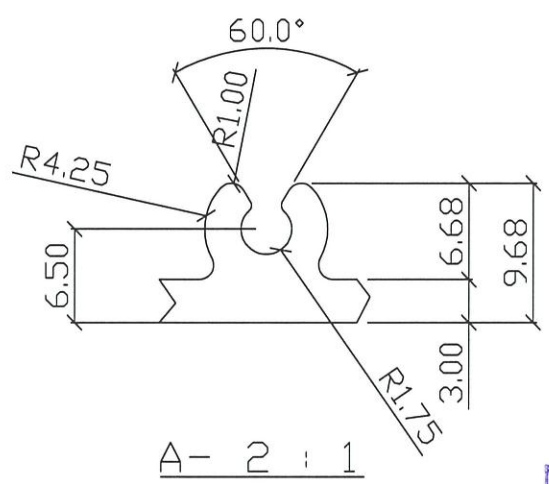
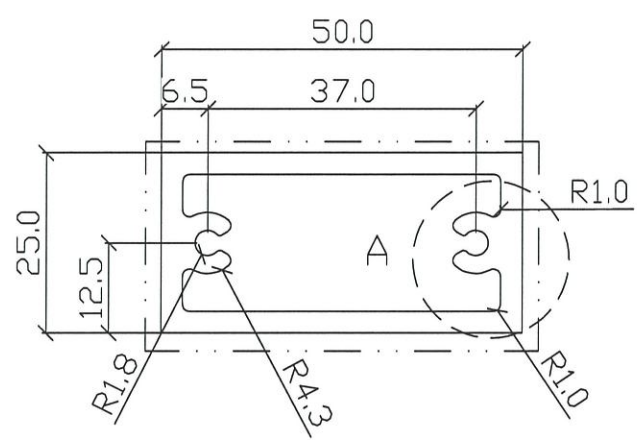
APPROVED :

6063-T6

aa=R0.3  
bb=R0.5

SECTIONAL AREA	mm <sup>2</sup>	ADDITIONAL TOLERANCE	DATE	REVISION			
				NO.	DATE	NAME	DESCRIPTION
445.1		Thickness ± 0.1 mm	04/09/2024				
WEIGHT	KG/M	Flatness 0.1 /25mm width	SCALE				
1.21		Straightness 0.3 /300mm	1 : 1				
PERIMETER	mm	Twist 0.5° /300 mm max	DRAWN				
V.F.	mm	Angularity ± 1.0 degree	-				
130			CHECK				

 <b>MIDI ALUMINIUM FABRICATOR LTD.</b>	<b>DRAWING NO.</b> J861-Y28	<b>REV.</b>	<b>TITLE</b> X86612
--	--------------------------------	-------------	------------------------



A- 2 : 1

美特鋁質有限公司	
承認圖面	<i>[Signature]</i>
日期	16/9

... V.F. ...

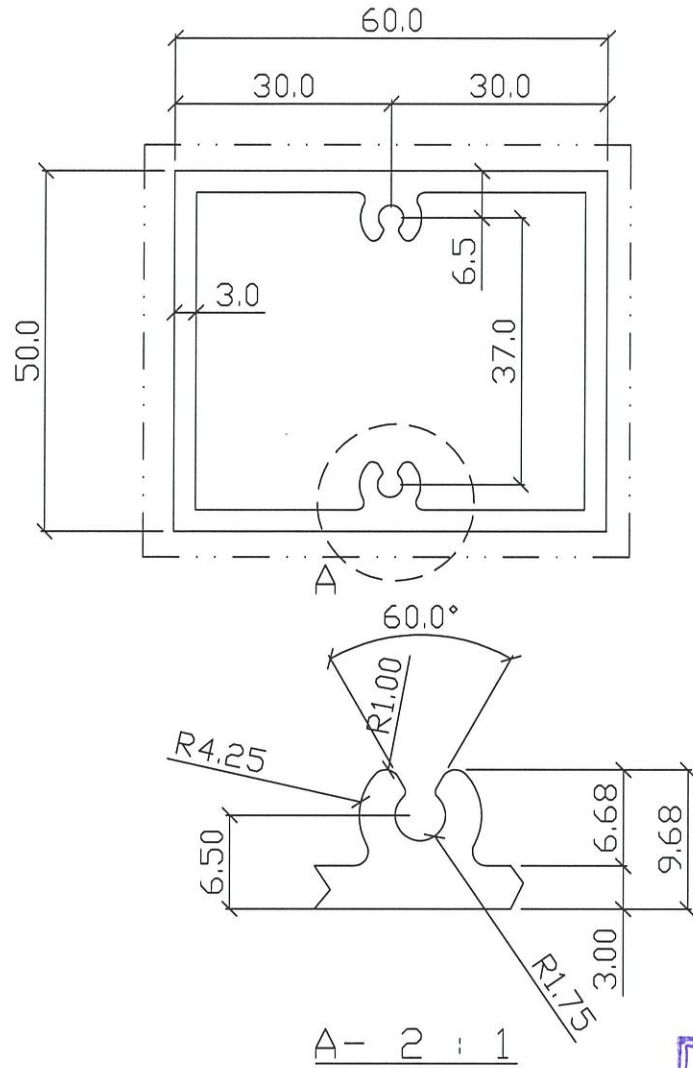
APPROVED :

6063-T6

aa=R0.3  
bb=R0.5

SECTIONAL AREA	mm <sup>2</sup>	490.5	ADDITIONAL TOLERANCE		DATE	REVISION			
			Thickness	± 0.1	mm	04/09/2024	NO.	DATE	NAME
WEIGHT	KG/M	1.329	Flatness	0.1	SCALE				
				/25mm width	1 : 1				
PERIMETER	mm	315.5	Straightness	0.3	DRAWN				
				/300mm	-				
V.F.	mm	150	Twist	0.5°	CHECK				
				/300 mm max					
			Angularity	± 1.0					
				degree					

 <b>MIDI ALUMINIUM FABRICATOR LTD.</b>	<b>DRAWING NO.</b> J861-Y29	<b>REV.</b>	<b>TITLE</b> X86613
--	--------------------------------	-------------	------------------------



V.F.

美特鋁質有限公司	
承認圖面	<i>[Signature]</i>
日期	16/9

APPROVED :

6063-T6

aa=R0.3  
bb=R0.5

SECTIONAL AREA	mm <sup>2</sup>	ADDITIONAL TOLERANCE	DATE	REVISION			
				NO.	DATE	NAME	DESCRIPTION
699.6		Thickness ± 0.1 mm	04/09/2024				
WEIGHT	KG/M	Flatness 0.1 /25mm width	SCALE				
1.896		Straightness 0.3 /300mm	1 : 1				
PERIMETER	mm	Twist 0.5° /300 mm max	DRAWN				
457.3		Angularity ± 1.0 degree	-				
V.F.	mm		CHECK				
220							

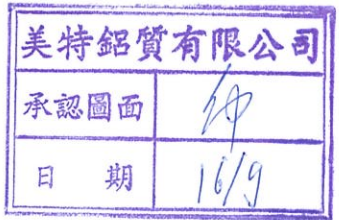
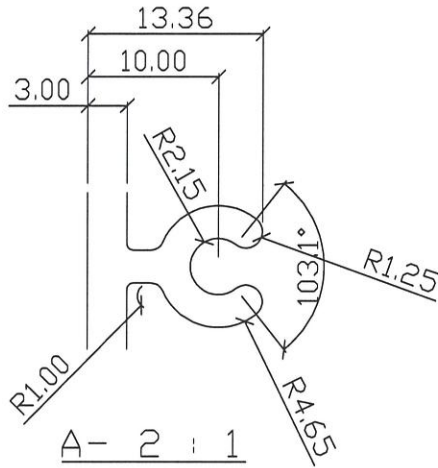
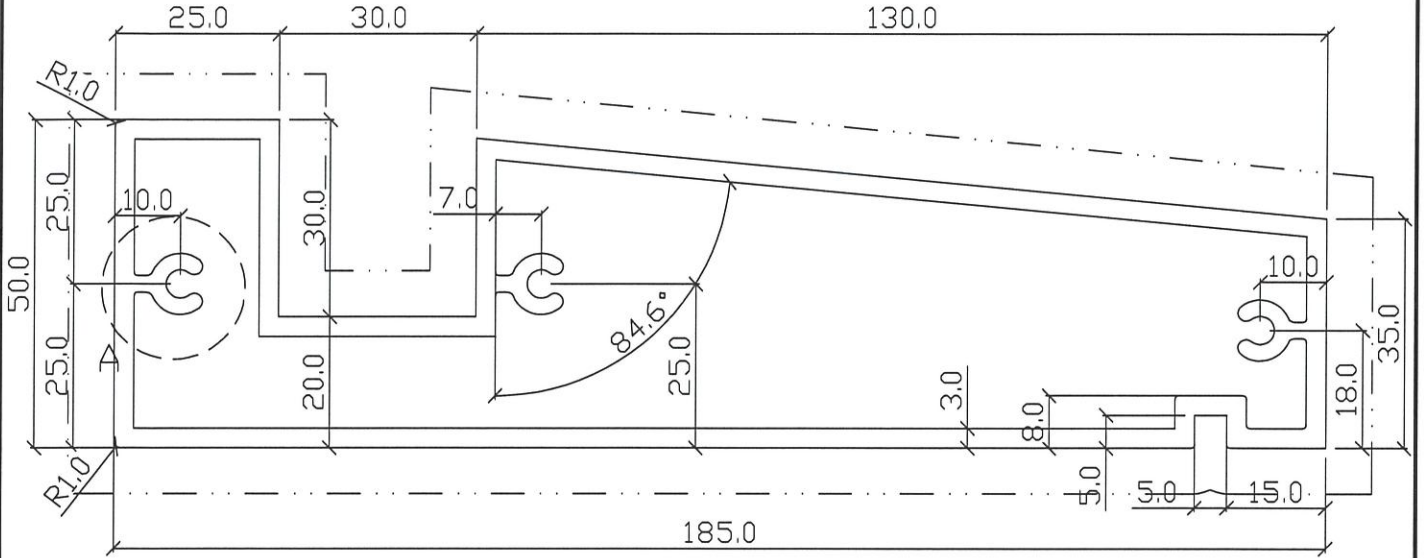


MIDI ALUMINIUM FABRICATOR LTD.

DRAWING NO.  
J861-Y30

REV.

TITLE  
X86614



V.F

APPROVED :

6063-T6

aa=R0.3  
bb=R0.5

SECTIONAL AREA	mm <sup>2</sup>	ADDITIONAL TOLERANCE	DATE	REVISION			
				NO.	DATE	NAME	DESCRIPTION
1680		Thickness ± 0.1 mm	04/09/2024				
WEIGHT	KG/M	Flatness 0.1 /25mm width	SCALE				
4.553		Straightness 0.3 /300mm	1 : 1				
PERIMETER	mm	Twist 0.5° /300 mm max	DRAWN				
1132.8		Angularity ± 1.0 degree	-				
V.F.	mm		CHECK				
522							

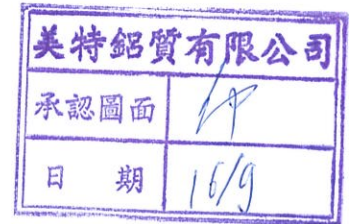
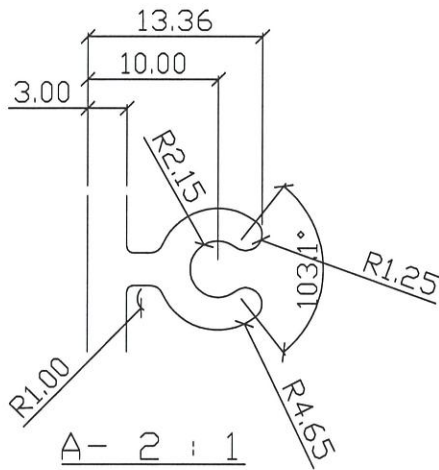
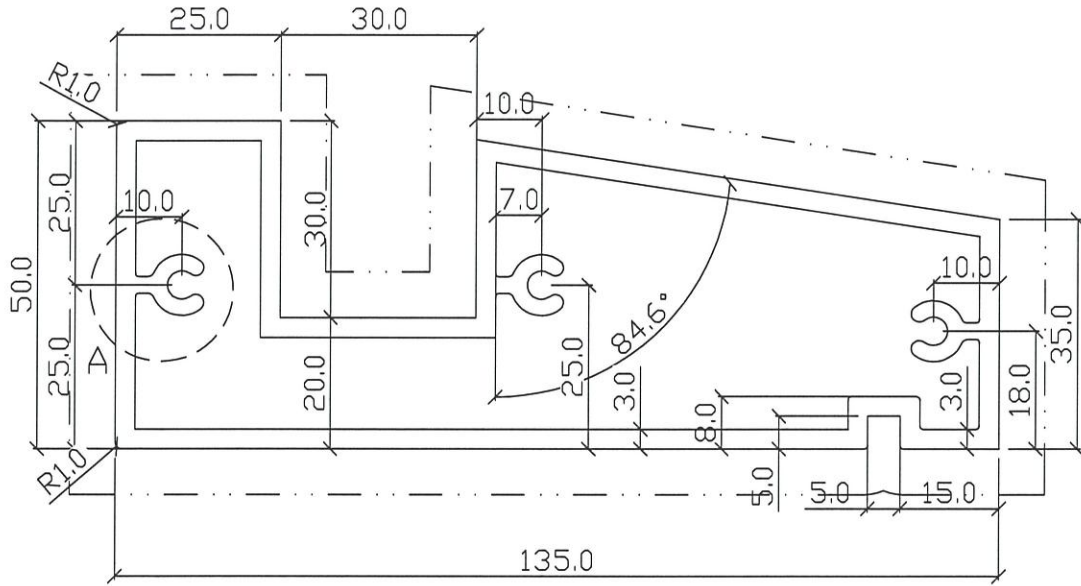


MIDI ALUMINIUM FABRICATOR LTD.

DRAWING NO.  
J861-Y31

REV.

TITLE  
X86615



..... V.F. ....

APPROVED :

6063-T6

aa=R0.3  
bb=R0.5

SECTIONAL AREA	mm <sup>2</sup>	1380.9	ADDITIONAL TOLERANCE	DATE	REVISION			
			Thickness	± 0.1 mm	04/09/2024	NO.	DATE	NAME
WEIGHT	KG/M	3.742	Flatness	SCALE				
			0.1 /25mm width	1 : 1				
PERIMETER	mm	933.5	Straightness	DRAWN				
			0.3 /300mm	-				
V.F.	mm	422.6	Twist	CHECK				
			0.5° /300 mm max					
			Angularity					
			± 1.0 degree					

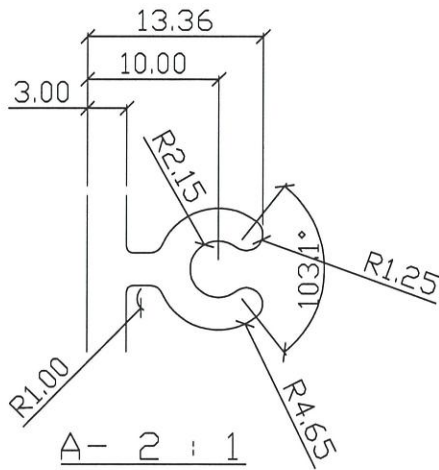
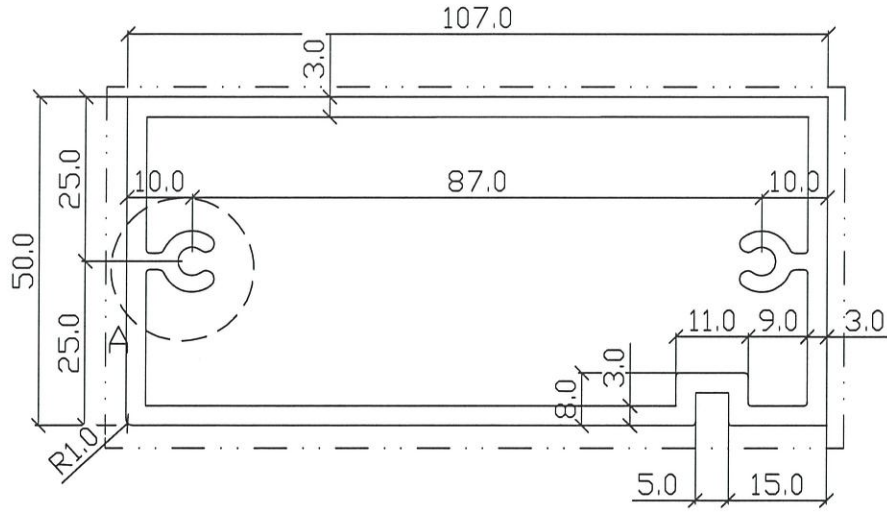


MIDI ALUMINIUM FABRICATOR LTD.

DRAWING NO.  
J861-Y32

REV.

TITLE  
X86616



..... V.F. ....

美特鋁質有限公司  
承認圖面  
日期 16/9

APPROVED :

6063-T6

aa=R0.3  
bb=R0.5

SECTIONAL AREA	mm <sup>2</sup>	ADDITIONAL TOLERANCE	DATE	REVISION			
				NO.	DATE	NAME	DESCRIPTION
1036		Thickness ± 0.1 mm	04/09/2024				
WEIGHT	KG/M	Flatness 0.1 /25mm width	SCALE				
2.808		Straightness 0.3 /300mm	1 : 1				
PERIMETER	mm	Twist 0.5° /300 mm max	DRAWN				
697.6		Angularity ± 1.0 degree	-				
V.F.	mm		CHECK				
323.6							

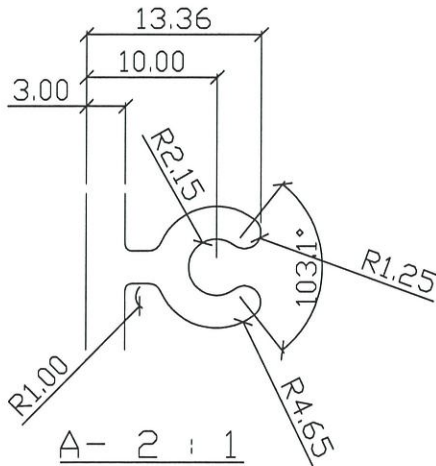
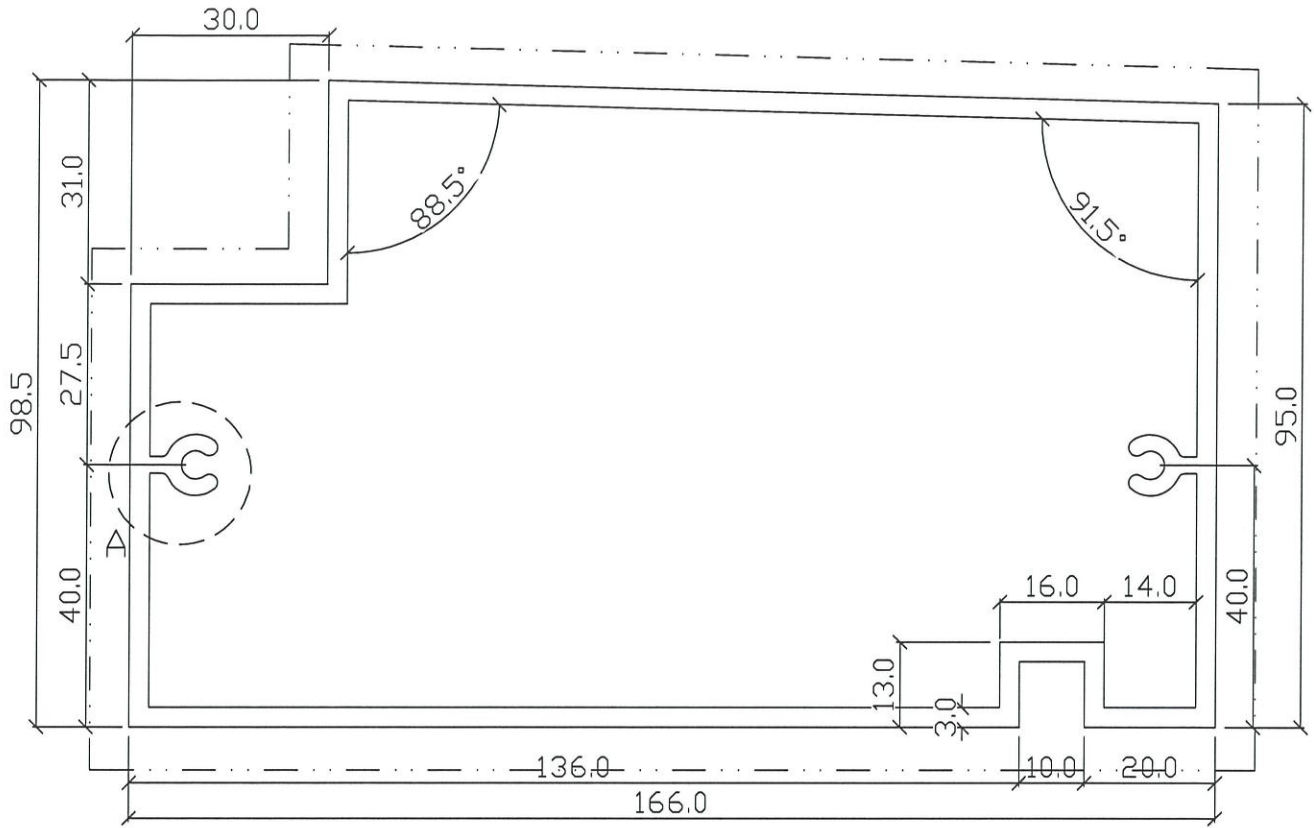


MIDI ALUMINIUM FABRICATOR LTD.

DRAWING NO.  
J861-Y33

REV.

TITLE  
X86617



美特鋁質有限公司  
承認圖面  
日期 16/9

V.F

APPROVED :

6063-T6

aa=R0.3  
bb=R0.5

SECTIONAL AREA	mm <sup>2</sup>	ADDITIONAL TOLERANCE	DATE	REVISION			
				NO.	DATE	NAME	DESCRIPTION
1699		Thickness ± 0.1 mm	04/09/2024				
WEIGHT	KG/M	Flatness 0.1 /25mm width	SCALE				
4.605		Straightness 0.3 /300mm	1 : 1				
PERIMETER	mm	Twist 0.5° /300 mm max	DRAWN				
1143		Angularity ± 1.0 degree	-				
V.F.	mm		CHECK				
545.5							

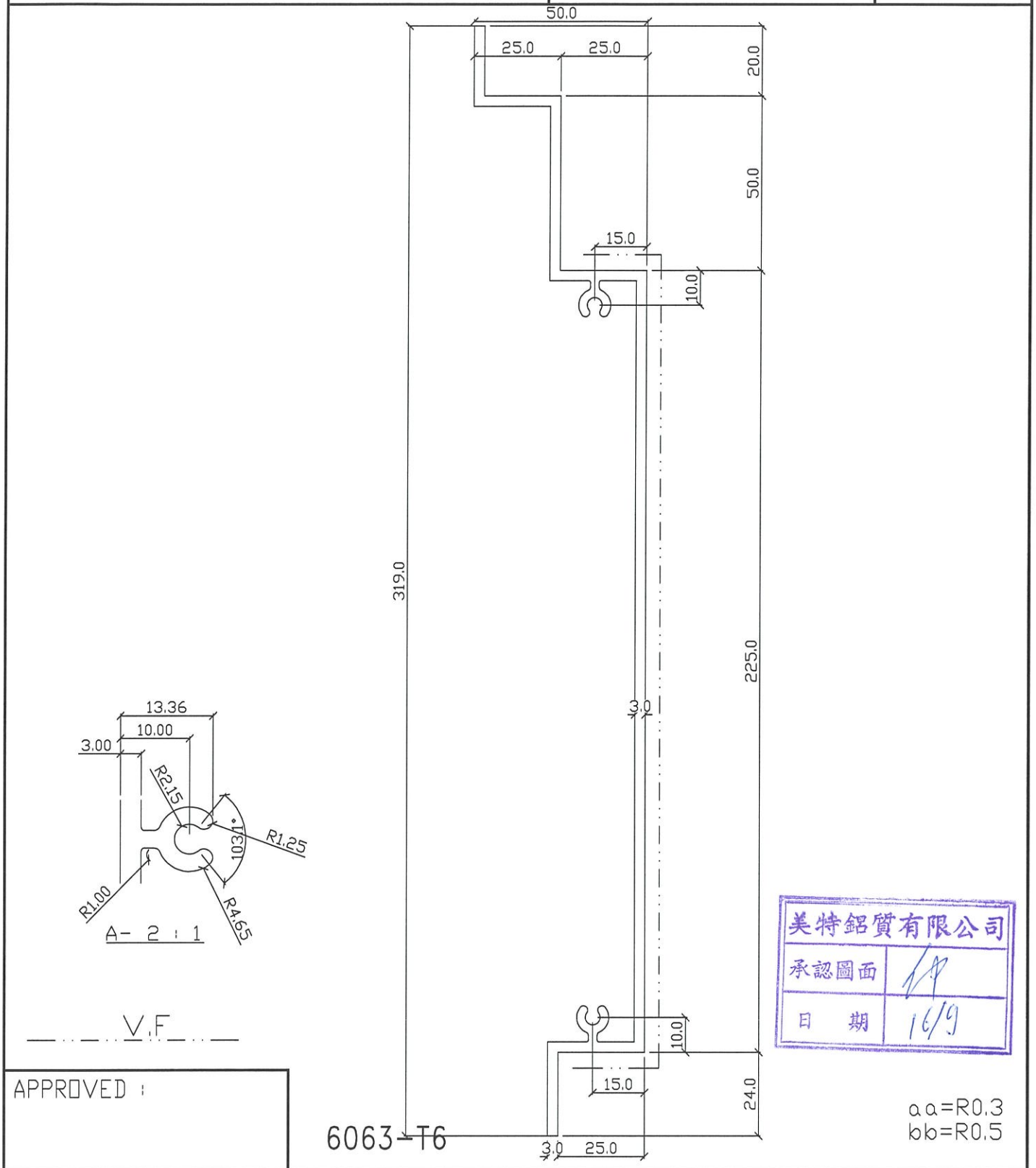


MIDI ALUMINIUM FABRICATOR LTD.

DRAWING NO.  
J861-Y34

REV.

TITLE  
X86618



美特鋁質有限公司  
承認圖面  
日期 16/9

aa=R0.3  
bb=R0.5

APPROVED :

6063-T6

SECTIONAL AREA	mm <sup>2</sup>	ADDITIONAL TOLERANCE	DATE	REVISION			
				NO.	DATE	NAME	DESCRIPTION
1271		Thickness ± 0.1 mm	04/09/2024				
WEIGHT	KG/M	Flatness 0.1 /25mm width	SCALE				
3.44		Straightness 0.3 /300mm	1 : 1				
PERIMETER	mm	Twist 0.5° /300 mm max	DRAWN				
863		Angularity ± 1.0 degree	-				
V.F.	mm		CHECK				
275							

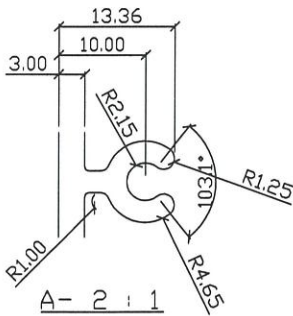
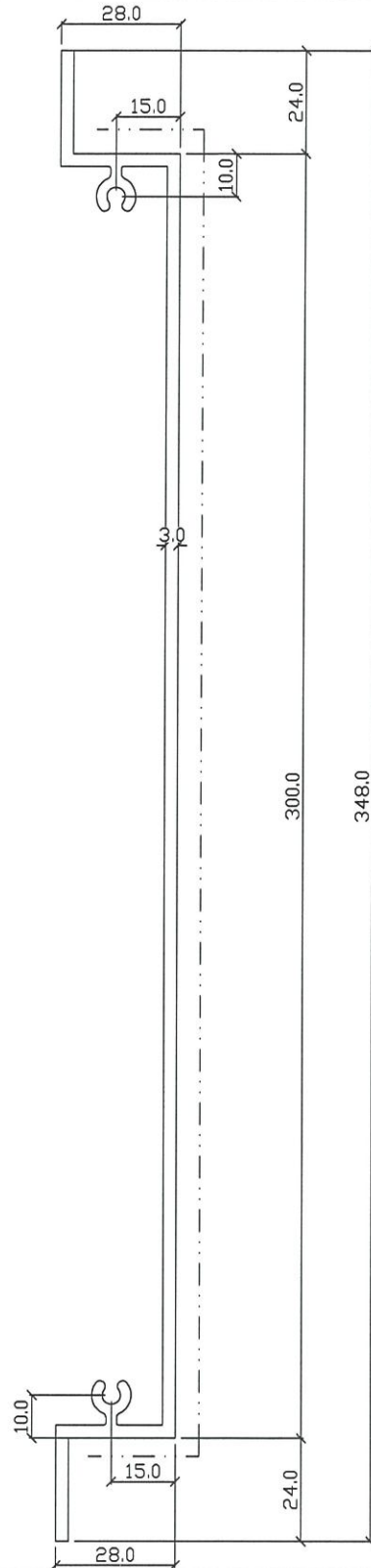


MIDI ALUMINIUM FABRICATOR LTD.

DRAWING NO.  
J861-Y35

REV.

TITLE  
X86619



V.F

APPROVED :

6063-T6

美特鋁質有限公司	
承認圖面	<i>[Signature]</i>
日期	16/9

aa=R0.3  
bb=R0.5

SECTIONAL AREA	mm <sup>2</sup>	ADDITIONAL TOLERANCE	DATE	REVISION			
				NO.	DATE	NAME	DESCRIPTION
1292.5		Thickness ± 0.1 mm	04/09/2024				
WEIGHT	KG/M	Flatness 0.1 /25mm width	SCALE				
3.503		Straightness 0.3 /300mm	1 : 1				
PERIMETER	mm	Twist 0.5° /300 mm max	DRAWN				
877		Angularity ± 1.0 degree	-				
V.F.	mm		CHECK				
350							



MIDI ALUMINIUM FABRICATOR LTD.

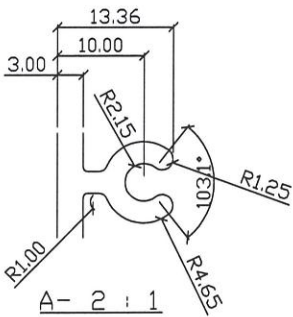
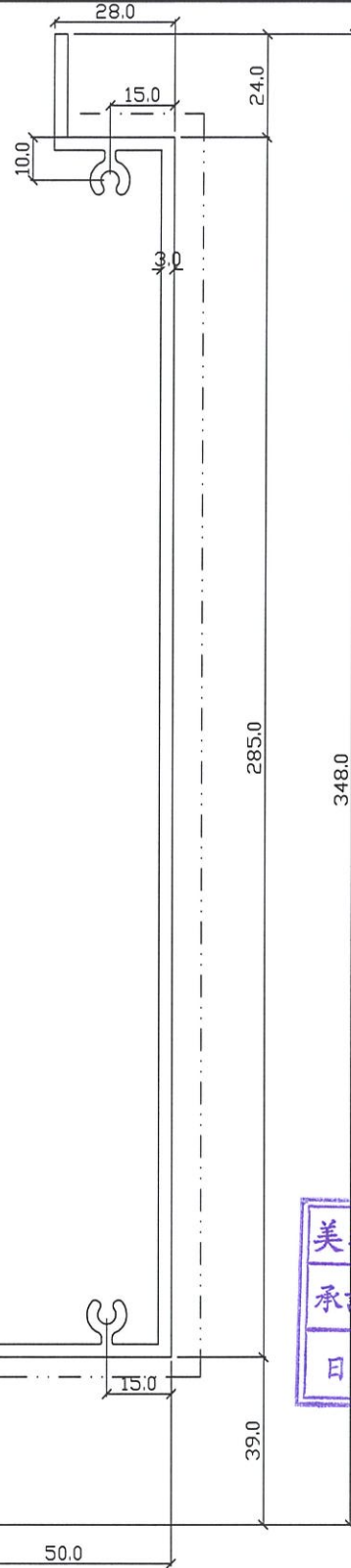
DRAWING NO.

J861-Y36

REV.

TITLE

X86620



V.F.

美特鋁質有限公司	
承認圖面	<i>[Signature]</i>
日期	16/9

APPROVED :

6063-T6

aa=R0.3  
bb=R0.5

SECTIONAL AREA	mm <sup>2</sup>	1359.8	ADDITIONAL TOLERANCE	Thickness	± 0.1 mm	DATE	04/09/2024	REVISION			
	WEIGHT	KG/M		3.685	Flatness		0.1 /25mm width	SCALE	1 : 1	NO.	DATE
PERIMETER	mm	921	Straightness	0.3 /300mm	DRAWN	-					
V.F.	mm	360	Twist	0.5° /300 mm max	CHECK						
			Angularity	± 1.0 degree							