



工程指示 / 要求簡箋 ENGINEER INSTRUCTIONS(E.I.)

工程指示編號:	EI- 8219	修改版本:	1
	HK- 1823		
工程編號:	J 861	工程名稱:	己連拿利
收件人:	生統	發件人:	細佬
工程項目:	預制窗施工圖更新	日期:	08/10/2024

<input type="checkbox"/> 原合約工程包	<input type="checkbox"/> 原合約工程加 / 減賬 QT-	<input type="checkbox"/> 新工程報價 QT-
---------------------------------	--	------------------------------------

信件批核號碼/圖紙參考編號:	批核模具圖紙編號:
客戶指示附件:	管理內部批簽署:

<input type="checkbox"/> 初步鋁料 B.M.	<input type="checkbox"/> 加工拆圖, 然後生產	<input type="checkbox"/> 尺寸表
<input type="checkbox"/> 正式鋁料 B.M.	<input type="checkbox"/> 技術上資料/指示	<input type="checkbox"/> 報價
<input type="checkbox"/> 配件 B.M.	<input type="checkbox"/> 樣辦或貨品說明書	<input type="checkbox"/> 分判合約
<input type="checkbox"/> 其他:		

內容: 給技術部: 現附上預制窗最新的施工圖, 請按此製作加工圖 提醒: 磨耳有更改,CAD檔案在以下位置 J:\midi_sharepoint\Public\to_china\謝永林\J861\EI8219I_HK1823_C20241030CAD	用GMS磨耳
完成上列要求日期: 30/10/2024	

國內

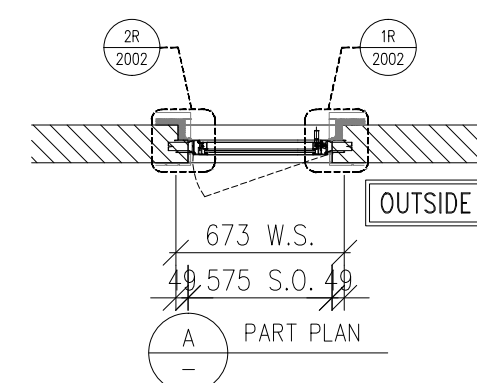
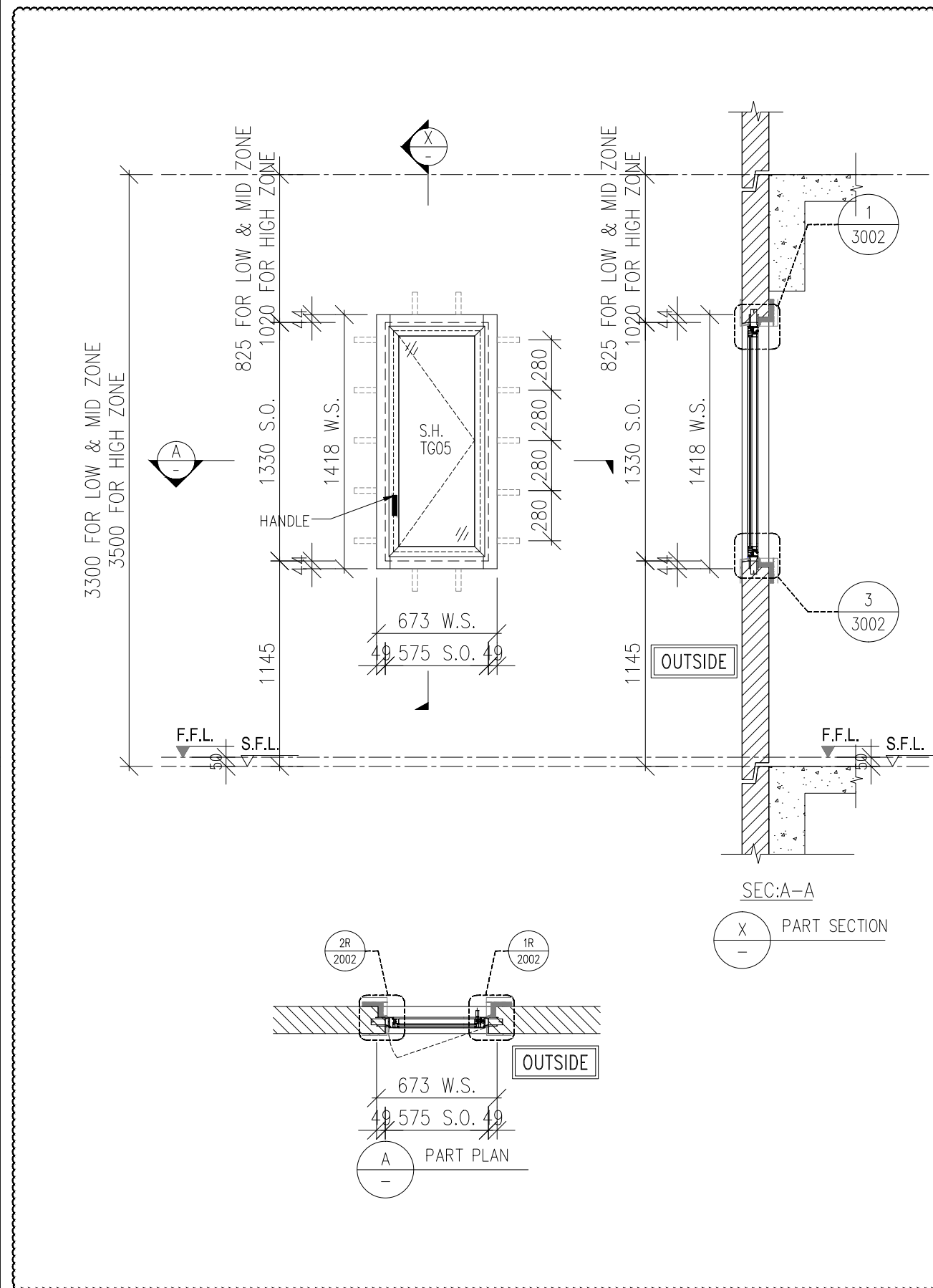
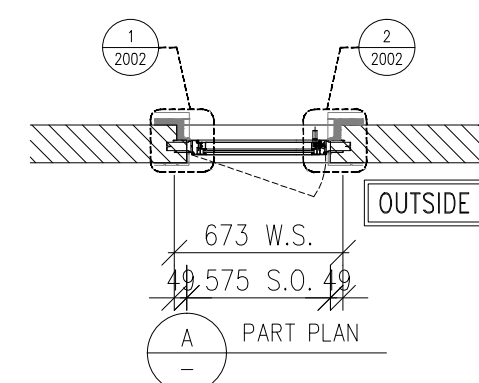
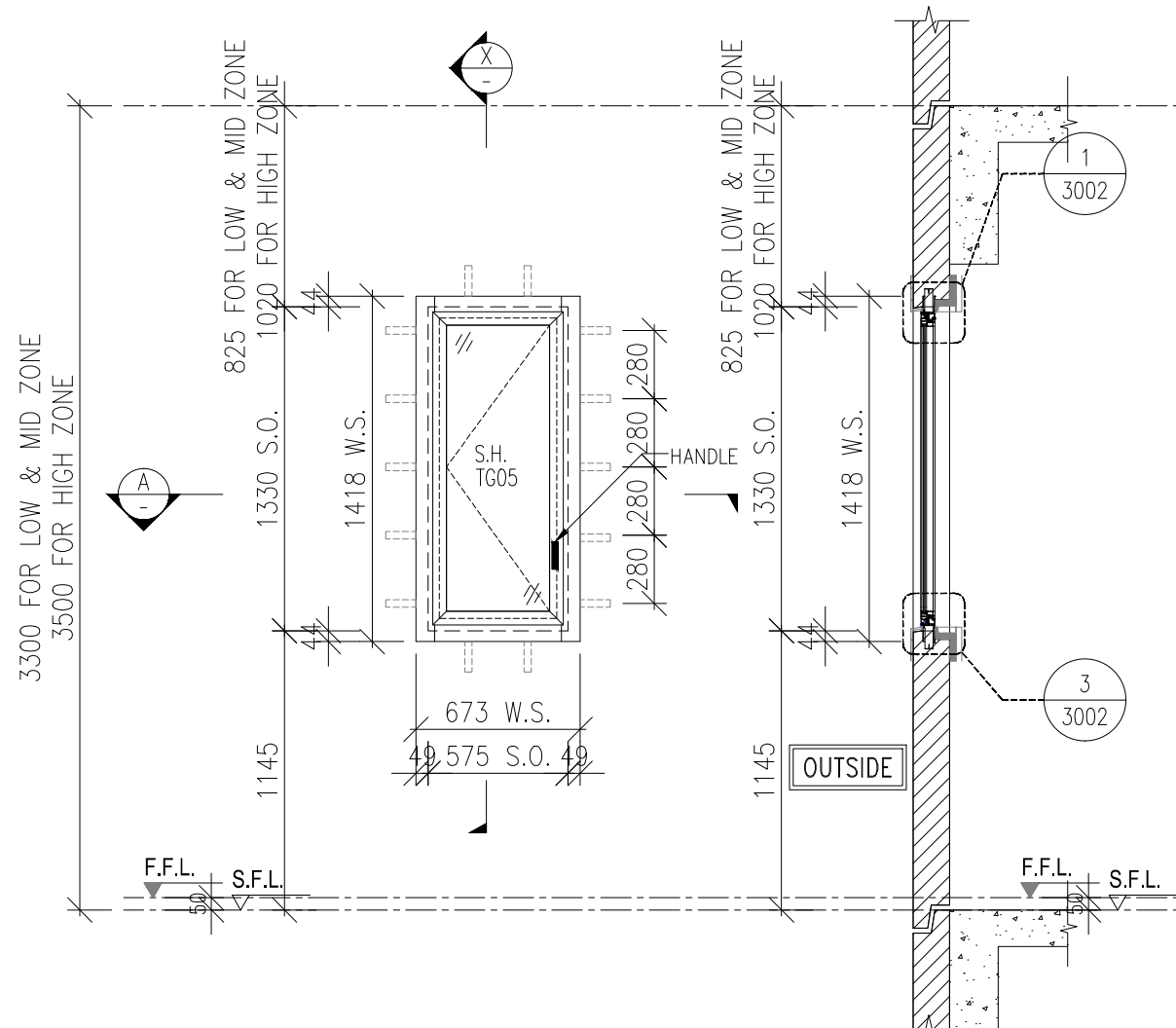
<input type="checkbox"/> 生產技術總監	<input type="checkbox"/> 連附件	<input checked="" type="checkbox"/> 技術部	<input checked="" type="checkbox"/> 連附件	<input type="checkbox"/> 生產部	<input type="checkbox"/> 連附件
<input type="checkbox"/> 採購部	<input type="checkbox"/> 連附件	<input type="checkbox"/> 生產統籌部	<input type="checkbox"/> 連附件	<input type="checkbox"/> 報關組	<input type="checkbox"/> 連附件
<input type="checkbox"/> 質檢部	<input type="checkbox"/> 連附件	<input type="checkbox"/> 會計部	<input type="checkbox"/> 連附件	<input type="checkbox"/> 機械設計部	<input type="checkbox"/> 連附件
<input type="checkbox"/> 香港辦	<input type="checkbox"/> 連附件	<input type="checkbox"/> 其他:			

香港

<input type="checkbox"/> 行政部	<input type="checkbox"/> 連附件	<input type="checkbox"/> 會計部	<input type="checkbox"/> 連附件	<input type="checkbox"/> 統籌部	<input type="checkbox"/> 連附件	<input type="checkbox"/> 工程部	<input type="checkbox"/> 連附件
<input type="checkbox"/> 採購部	<input type="checkbox"/> 連附件	<input type="checkbox"/> QS部	<input type="checkbox"/> 連附件	<input type="checkbox"/> 地盤管理	<input type="checkbox"/> 連附件	<input type="checkbox"/> 維修部	<input type="checkbox"/> 連附件

*發件人簽署: 傳遞編號: HK-1823	*組別成員批核簽署: 項目經理簽署:
--------------------------	-----------------------

REQUIRE		PROVIDED	
OPENABLE AREA	GLAZING AREA	OPENABLE AREA	GLAZING AREA
0.461	—	0.593	0.496



B.D. REF :

WONG TUNG & PARTNERS LTD.	
APPROVED	
APPROVED AS NOTED	
APPROVED AS NOTED & RESUBMIT	
RESUBMIT	
NO COMMENT	
REFER OTHER CONSULTANT'S COMMENTS	

Reviewed for compliance with the design intent. Comments made shall apply to all similar conditions & details, not just the ones cited. The approval shall not be construed as relieving the contractor for compliance with the contract documents & requirements.

Reviewed By _____ Date _____

CLIENT :

Pacific Century
Premium Developments
盈科大衍地產發展

ARCHITECT :

WONG TUNG & PARTNERS LIMITED
ARCHITECTS & PLANNERS

MAIN CONTRACTOR :

顯利工程有限公司
HIEN LEE ENGINEERING CO., LTD.

STRUCTURAL ENGINEER :

SYW & ASSOCIATES LTD.
REGISTERED ENGINEERS & AUTHORIZED PERSONS
鄧賢偉建築工程師

FACADE CONSULTANT:

- NOTE :
1. ALL DIMENSIONS ARE IN mm.
 2. ALL ELEVATIONS ARE VIEWED FROM OUTSIDE.
 3. ALL DIMENSIONS TO BE VERIFIED ON SITE BEFORE FABRICATION.
- LEGEND :
- (X1) — DETAIL MARK NO.
 - (X001) — REFER SHEET NO.
1. F.F.L. — FINISHED FLOOR LEVEL
 2. S.F.L. — STRUCTURAL FLOOR LEVEL
 3. (R) — REVERSED DETAIL
 4. F. — FIXED WINDOW
 4. SH. — TOP HUNG WINDOW
 5. — LOUVER
 6. GLASS LEGEND
- TG01A1 — SOUTH-EAST FACADE: LOW-E IGU-YKED160J (#2)
8mmHS CLEAR GLASS+12A+10mmT CLEAR GLASS
- TG01A2 — SOUTH-EAST FACADE: LOW-E IGU-YKED160J (#2)
8mmHS CLEAR GLASS+12A+8mmT CLEAR GLASS
- TG03 — 10mmT LIGHT GREY TINTED GLASS
- TG04 — 8mmHS LIGHT GREY TINTED GLASS
- TG05 — 8mmHS LIGHT GREY TINTED FROSTED GLASS

	GLAZING AREA
	OPENABLE AREA

B	16/09/2024	REVISION SUBJECT TO ARCH.COMMENT	WN
A	26/08/2024	REVISION SUBJECT TO ARCH.COMMENT	WN
NO.	DATE	REVISED	BY

JOB NO. : J-861

PROJECT : PROPOSED RESIDENTIAL DEVELOPMENT AT NOS. 3-6 GLENEALY, CENTRAL, HONG KONG

TITLE : WINDOW SCHEDULE FOR PRECAST WINDOW

DATE : 26-06-24 SCALE : 1:30 @A3

DRAWN BY : IVAN CHECKED BY :

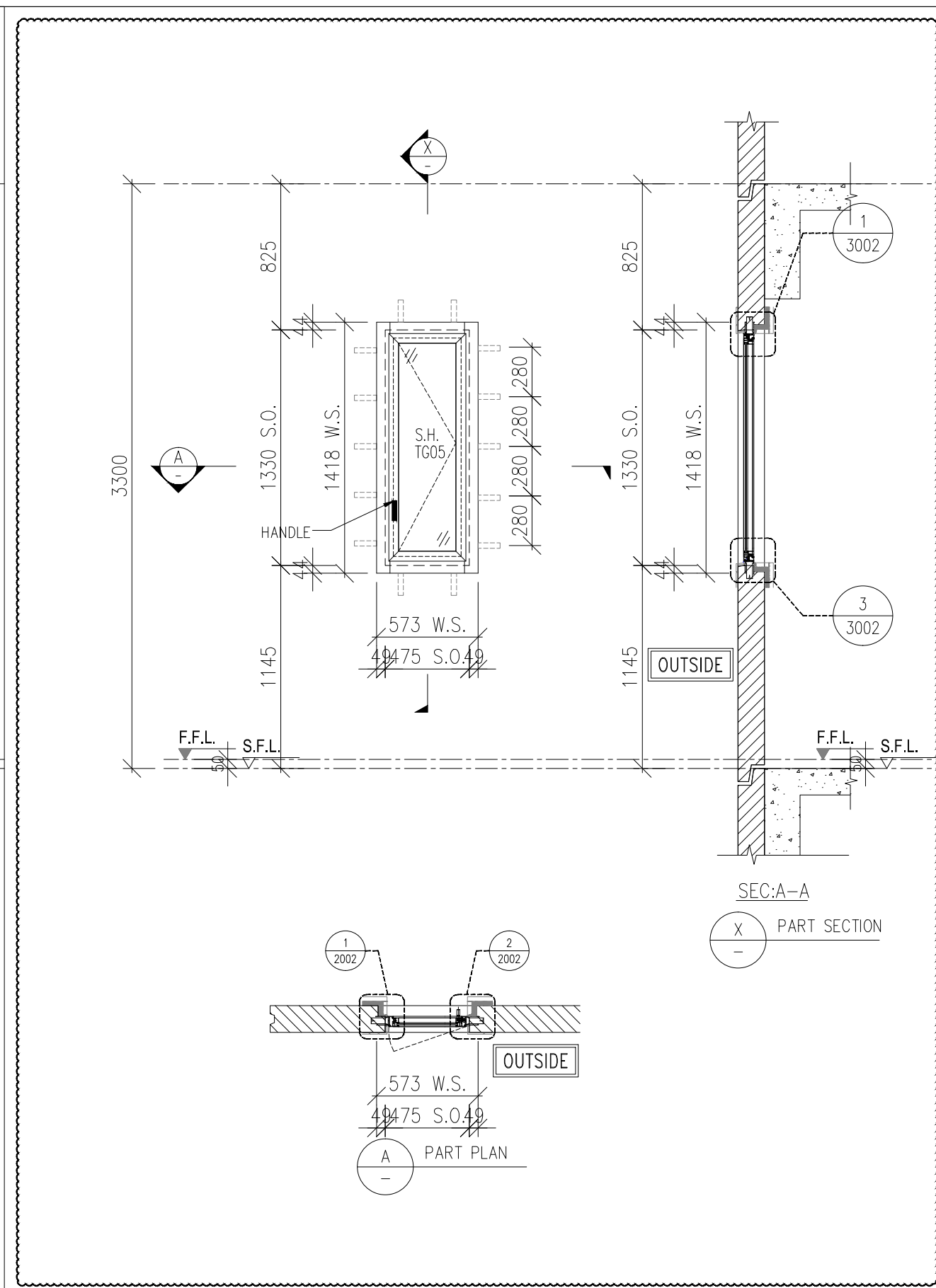
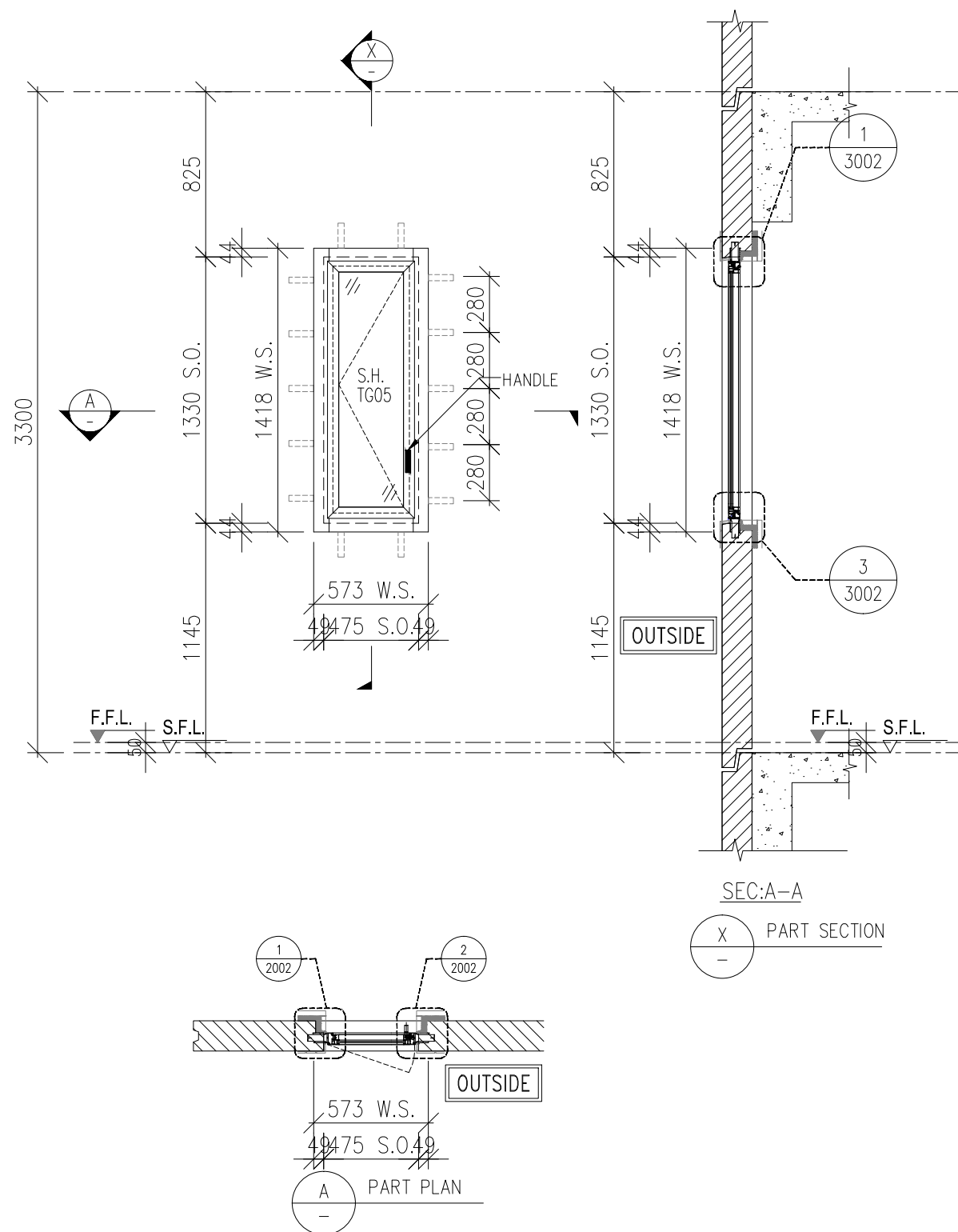
美特鋁質有限公司
MIDI ALUMINIUM FABRICATOR LTD.
Units 6-8, Sunray Industrial Centre, 1/F
610 Cha Kwo Ling Road, Kowloon
Tel:23489211-4 Fax:(852)2727666

DWG NO. : J861-SD-PW-1001 REV. : B

WINDOW MARK	25 nos.	REVERSE WINDOW 25 nos.
LOCATION	(FLAT A M.BATH AT 2/F, 3/F TO 12/F) (FLAT A M.BATH AT 15/F TO 31/F)	(FLAT D M.BATH AT 2/F, 3/F TO 12/F) (FLAT C M.BATH AT 15/F TO 23/F) (FLAT B M.BATH AT 25/F TO 30/F)
GLAZING	TG05	
WINDOW FRAME	50mm ALUM. WINDOW SECTION , 4 BAR HINGE	

WINDOW MARK	25 nos.	REVERSE WINDOW 25 nos.
LOCATION	(FLAT D M.BATH AT 2/F, 3/F TO 12/F) (FLAT C M.BATH AT 15/F TO 23/F) (FLAT B M.BATH AT 25/F TO 30/F)	
GLAZING		
WINDOW FRAME		

REQUIRE		PROVIDED	
OPENABLE AREA	GLAZING AREA	OPENABLE AREA	GLAZING AREA
0.333	—	0.470	0.379



B.D. REF :

WONG TUNG & PARTNERS LTD.	
APPROVED	
APPROVED AS NOTED	
APPROVED AS NOTED & RESUBMIT	
RESUBMIT	
NO COMMENT	
REFER OTHER CONSULTANT'S COMMENTS	
Reviewed for compliance with the design intent. Comments made shall apply to all similar conditions & details, not just the ones cited. The approval shall not be construed as relieving the contractor for compliance with the contract documents & requirements.	
Reviewed By	Date

CLIENT :

Pacific Century Premium Developments
盈科大衍地產發展

ARCHITECT :

WONG TUNG & PARTNERS LIMITED
ARCHITECTS & PLANNERS

MAIN CONTRACTOR :

顯利工程有限公司
HIEN LEE ENGINEERING CO., LTD.

STRUCTURAL ENGINEER :

SYW & ASSOCIATES LTD.
REGISTERED ENGINEERS & AUTHORIZED PERSONS
鄧賢偉建築工程師

FACADE CONSULTANT:

NOTE :

- ALL DIMENSIONS ARE IN mm.
- ALL ELEVATIONS ARE VIEWED FROM OUTSIDE.
- ALL DIMENSIONS TO BE VERIFIED ON SITE BEFORE FABRICATION.

LEGEND :

x1 — DETAIL MARK NO.
x001 — REFER SHEET NO.

- F.F.L. — FINISHED FLOOR LEVEL
- S.F.L. — STRUCTURAL FLOOR LEVEL
- (R) — REVERSED DETAIL
- F. — FIXED WINDOW
- SH. — TOP HUNG WINDOW
- LOUVER
- GLASS LEGEND

TG01A1 — SOUTH-EAST FACADE: LOW-E IGU-YKED160J (#2)
8mmHS CLEAR GLASS+12A+10mmT CLEAR GLASS

TG01A2 — SOUTH-EAST FACADE: LOW-E IGU-YKED160J (#2)
8mmHS CLEAR GLASS+12A+8mmT CLEAR GLASS

TG03 — 10mmT LIGHT GREY TINTED GLASS

TG04 — 8mmHS LIGHT GREY TINTED GLASS

TG05 — 8mmHS LIGHT GREY TINTED FROSTED GLASS

GLAZING AREA

OPENABLE AREA

NO.	DATE	REVISION	BY
B	16/09/2024	REVISION SUBJECT TO ARCH.COMMENT	WN
A	26/08/2024	REVISION SUBJECT TO ARCH.COMMENT	WN

WINDOW MARK	9 nos.
LOCATION	(FLAT D) BATH AT 3/F TO 12/F
GLAZING	TG05
WINDOW FRAME	50mm ALUM. WINDOW SECTION , 4 BAR HINGE

REVERSE WINOW	9 nos.
(FLAT A) BATH AT 3/F TO 12/F	

JOB NO. : J-861

PROJECT :

PROPOSED RESIDENTIAL DEVELOPMENT AT NOS. 3-6 GLENEALY, CENTRAL, HONG KONG

TITLE :

WINDOW SCHEDULE FOR PRECAST WINDOW

DATE : 26-06-24 SCALE : 1:30 @A3

DRAWN BY : IVAN CHECKED BY :

美特鋁質有限公司
MIDI ALUMINIUM FABRICATOR LTD.
Units 6-8, Sunray Industrial Centre, 1/F
610 Cha Kwo Ling Road, Kowloon
Tel:23489211-4 Fax:(852)2727666

DWG NO. : J861-SD-PW-1002 REV. : B

REQUIRE		PROVIDED	
OPENABLE AREA	GLAZING AREA	OPENABLE AREA	GLAZING AREA
2.436	—	2.471	2.159

OPENABLE AREA CAL.

$$WS(H)2870-65-81-65=2659$$

$$WS(W)1180-65-81-65=969$$

$$2659 \times 969 = 2576571$$

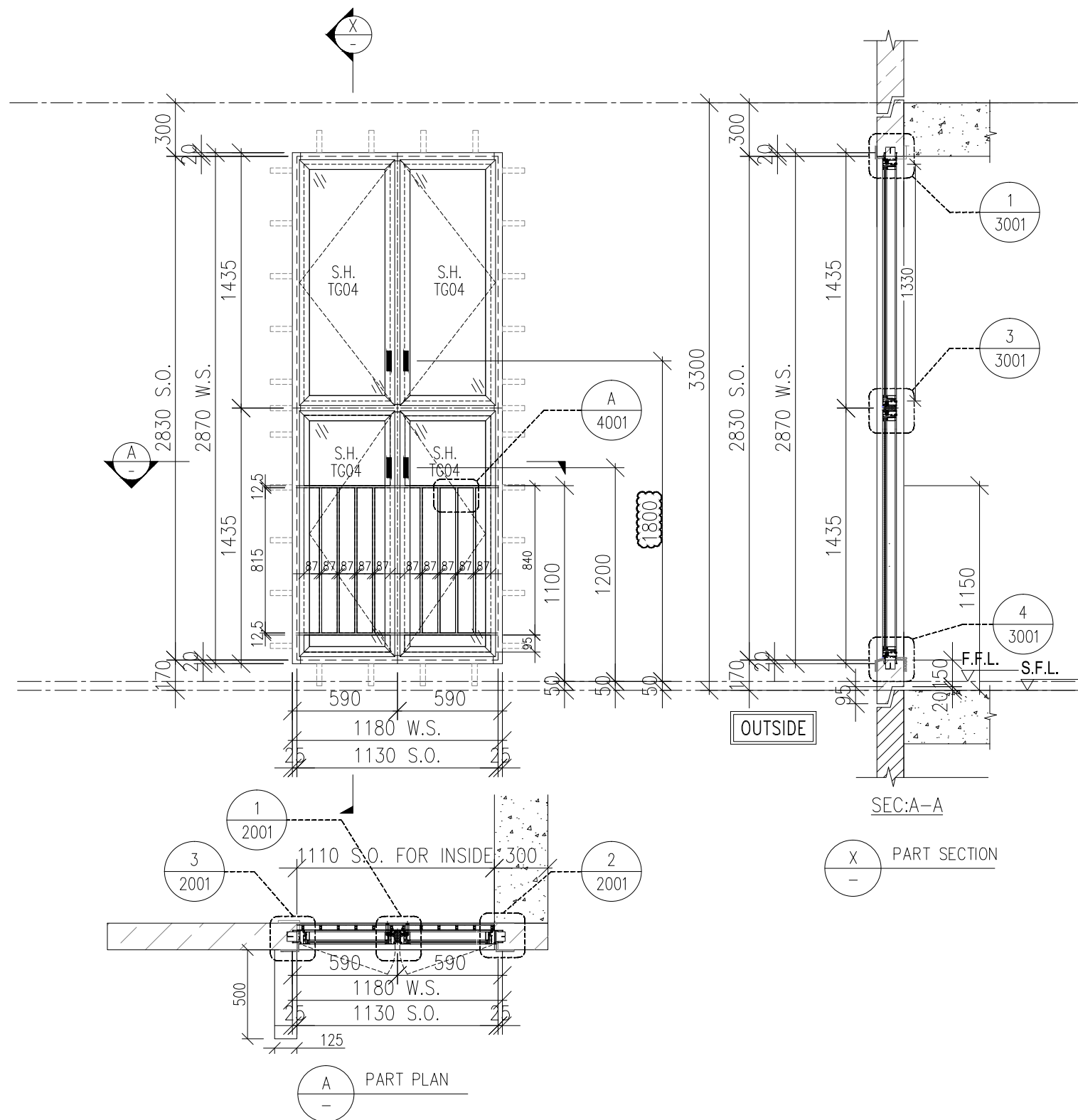
PROTECTED AREA CAL.

$$969 \times 12.5 \times 2 (\text{NOS.}) = 24225$$

$$815 \times 12.5 \times 8 (\text{NOS.}) = 81500$$

$$2576571 - 24225 - 81500 = 2470846 \text{mm}$$

$$= 2.471 \text{m}^2$$



B.D. REF :

WONG TUNG & PARTNERS LTD.	
APPROVED	
APPROVED AS NOTED	
APPROVED AS NOTED & RESUBMIT	
RESUBMIT	
NO COMMENT	
REFER OTHER CONSULTANT'S COMMENTS	
Reviewed for compliance with the design intent. Comments made shall apply to all similar conditions & details, not just the ones cited. The approval shall not be construed as relieving the contractor for compliance with the contract documents & requirements.	
Reviewed By	Date

CLIENT :

Pacific Century
Premium Developments
盈科大衍地產發展

ARCHITECT :

WONG TUNG & PARTNERS LIMITED
ARCHITECTS & PLANNERS

MAIN CONTRACTOR :

顯利工程有限公司
HIEN LEE ENGINEERING CO., LTD.

STRUCTURAL ENGINEER :

SYW & ASSOCIATES LTD.
STRUCTURAL ENGINEERS & AUTHORIZED PERSONS
邵賢偉建築工程師

FACADE CONSULTANT:

NOTE :

1. ALL DIMENSIONS ARE IN mm.
2. ALL ELEVATIONS ARE VIEWED FROM OUTSIDE.
3. ALL DIMENSIONS TO BE VERIFIED ON SITE BEFORE FABRICATION.

LEGEND :

- x1 — DETAIL MARK NO.
- x001 — REFER SHEET NO.

1. F.F.L. — FINISHED FLOOR LEVEL
2. S.F.L. — STRUCTURAL FLOOR LEVEL
3. (R) — REVERSED DETAIL
4. F. — FIXED WINDOW
4. SH. — TOP HUNG WINDOW
5. (L) — LOUVER
6. GLASS LEGEND

- TG01A1 — SOUTH-EAST FACADE: LOW-E IGU-YKED160J (#2) 8mmHS CLEAR GLASS+12A+10mmT CLEAR GLASS
- TG01A2 — SOUTH-EAST FACADE: LOW-E IGU-YKED160J (#2) 8mmHS CLEAR GLASS+12A+8mmT CLEAR GLASS
- TG03 — 10mmT LIGHT GREY TINTED GLASS
- TG04 — 8mmHS LIGHT GREY TINTED GLASS
- TG05 — 8mmHS LIGHT GREY TINTED FROSTED GLASS

- (Dotted pattern) GLAZING AREA
- (Hatched pattern) OPENABLE AREA

NO.	DATE	REVISION	BY
B	16/09/2024	REVISION SUBJECT TO ARCH.COMMENT	WN
A	26/08/2024	REVISION SUBJECT TO ARCH.COMMENT	WN

JOB NO. : J-861

PROJECT :
PROPOSED RESIDENTIAL
DEVELOPMENT AT NOS. 3-6
GLENEALY, CENTRAL, HONG KONG

TITLE :
WINDOW SCHEDULE FOR
PRECAST WINDOW

DATE : 26-06-24 SCALE : 1:30 @A3

DRAWN BY : IVAN CHECKED BY :

美特鋁質有限公司
MIDI ALUMINIUM FABRICATOR LTD.
Units 6-8, Sunray Industrial Centre, 1/F
610 Cha Kwo Ling Road, Kowloon
Tel:23489211-4 Fax:(852)2727666

DWG NO. : J861-SD-PW-1003 REV. : B

WINDOW MARK 9 nos.

LOCATION (STAIRCASE ST-1 3/F,6/F,8/F,10/F,12/F,16/F,18/F,20/F,22/F)

GLAZING TG04

WINDOW FRAME 70mm ALUM. WINDOW SECTION , 4 BAR HINGE

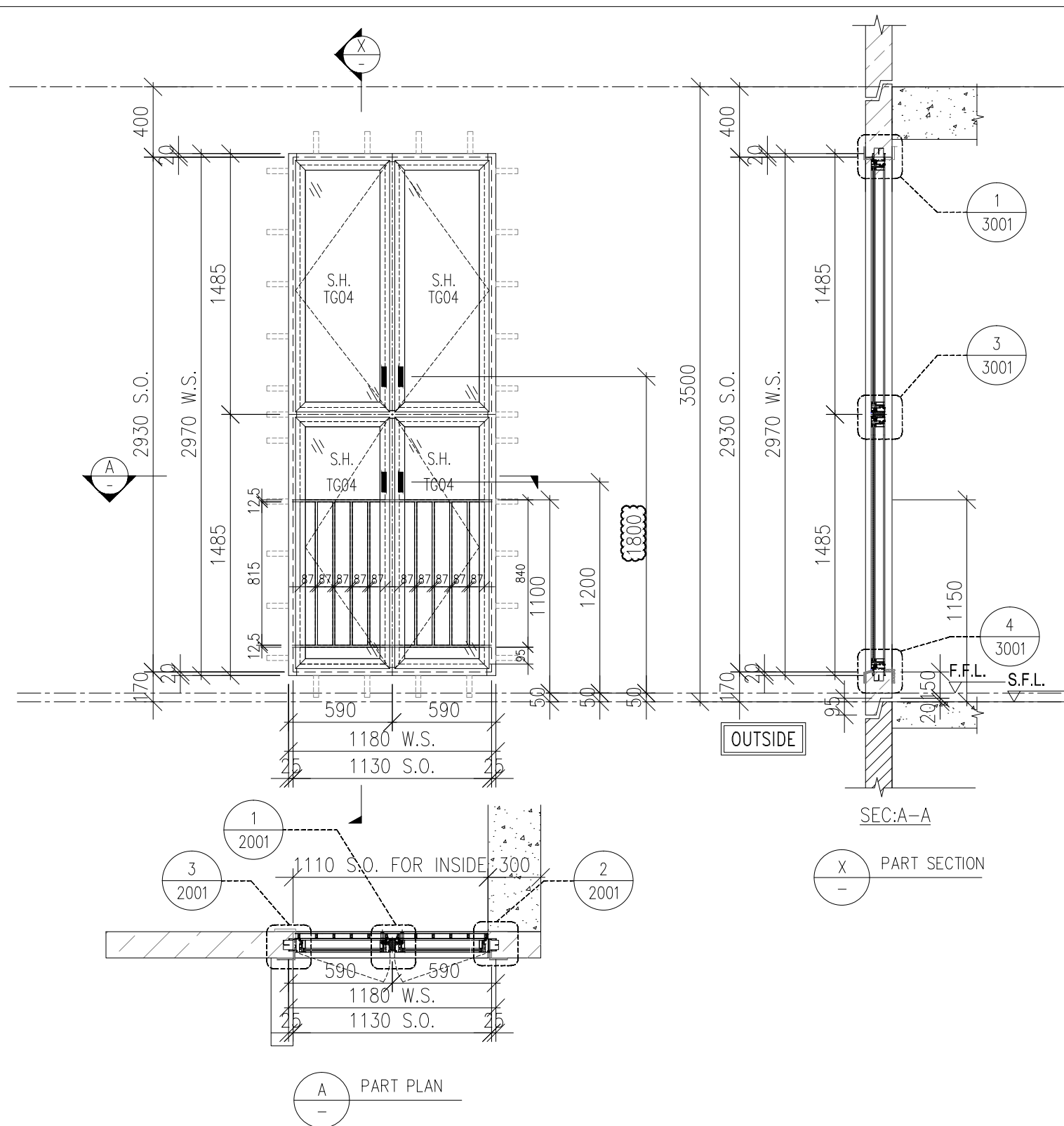
REQUIRE		PROVIDED	
OPENABLE AREA	GLAZING AREA	OPENABLE AREA	GLAZING AREA
2.468	—	2.540	2.112

OPENABLE AREA CAL.

WS(H)2970-65-81-65=2759
 WS(W)1170-65-81-65=959
 2759x959=2645881

PROTECTED AREA CAL. 959x12.5x2(NOS.)=23975
 815x12.5x8(NOS.)=81500

2645881-23975-81500=2540406mm
 =2.540m²



B.D. REF :

WONG TUNG & PARTNERS LTD.	
APPROVED	
APPROVED AS NOTED	
APPROVED AS NOTED & RESUBMIT	
RESUBMIT	
NO COMMENT	
REFER OTHER CONSULTANT'S COMMENTS	
Reviewed for compliance with the design intent. Comments made shall apply to all similar conditions & details, not just the ones cited. The approval shall not be construed as relieving the contractor for compliance with the contract documents & requirements.	
Reviewed By	Date

CLIENT :
 Pacific Century Premium Developments
 盈科大衍地產發展

ARCHITECT :
 WONG TUNG & PARTNERS LIMITED
 ARCHITECTS & PLANNERS

MAIN CONTRACTOR :
 顯利工程有限公司
 HIEN LEE ENGINEERING CO., LTD.

STRUCTURAL ENGINEER :
 SYW & ASSOCIATES LTD.
 STRUCTURAL ENGINEERS & AUTHORIZED PERSONS
 邵賢偉建築工程師

FAÇADE CONSULTANT:

NOTE :
 1. ALL DIMENSIONS ARE IN mm.
 2. ALL ELEVATIONS ARE VIEWED FROM OUTSIDE.
 3. ALL DIMENSIONS TO BE VERIFIED ON SITE BEFORE FABRICATION.

LEGEND :

x1 — DETAIL MARK NO.
 x001 — REFER SHEET NO.

1. F.F.L. — FINISHED FLOOR LEVEL
 2. S.F.L. — STRUCTURAL FLOOR LEVEL
 3. (R) — REVERSED DETAIL
 4. F. — FIXED WINDOW
 4. SH. — TOP HUNG WINDOW
 5. (L) — LOUVER
 6. GLASS LEGEND
 TG01A1 — SOUTH-EAST FAÇADE: LOW-E IGU-YKED160J (#2)
 8mmHS CLEAR GLASS+12A+10mmT CLEAR GLASS
 TG01A2 — SOUTH-EAST FAÇADE: LOW-E IGU-YKED160J (#2)
 8mmHS CLEAR GLASS+12A+8mmT CLEAR GLASS
 TG03 — 10mmT LIGHT GREY TINTED GLASS
 TG04 — 8mmHS LIGHT GREY TINTED GLASS
 TG05 — 8mmHS LIGHT GREY TINTED FROSTED GLASS

GLAZING AREA
 OPENABLE AREA

NO.	DATE	REVISION	BY
B	16/09/2024	REVISION SUBJECT TO ARCH.COMMENT	MN
A	26/08/2024	REVISION SUBJECT TO ARCH.COMMENT	MN

JOB NO. : J-861
 PROJECT : PROPOSED RESIDENTIAL DEVELOPMENT AT NOS. 3-6 GLENEALY, CENTRAL, HONG KONG

TITLE : WINDOW SCHEDULE FOR PRECAST WINDOW

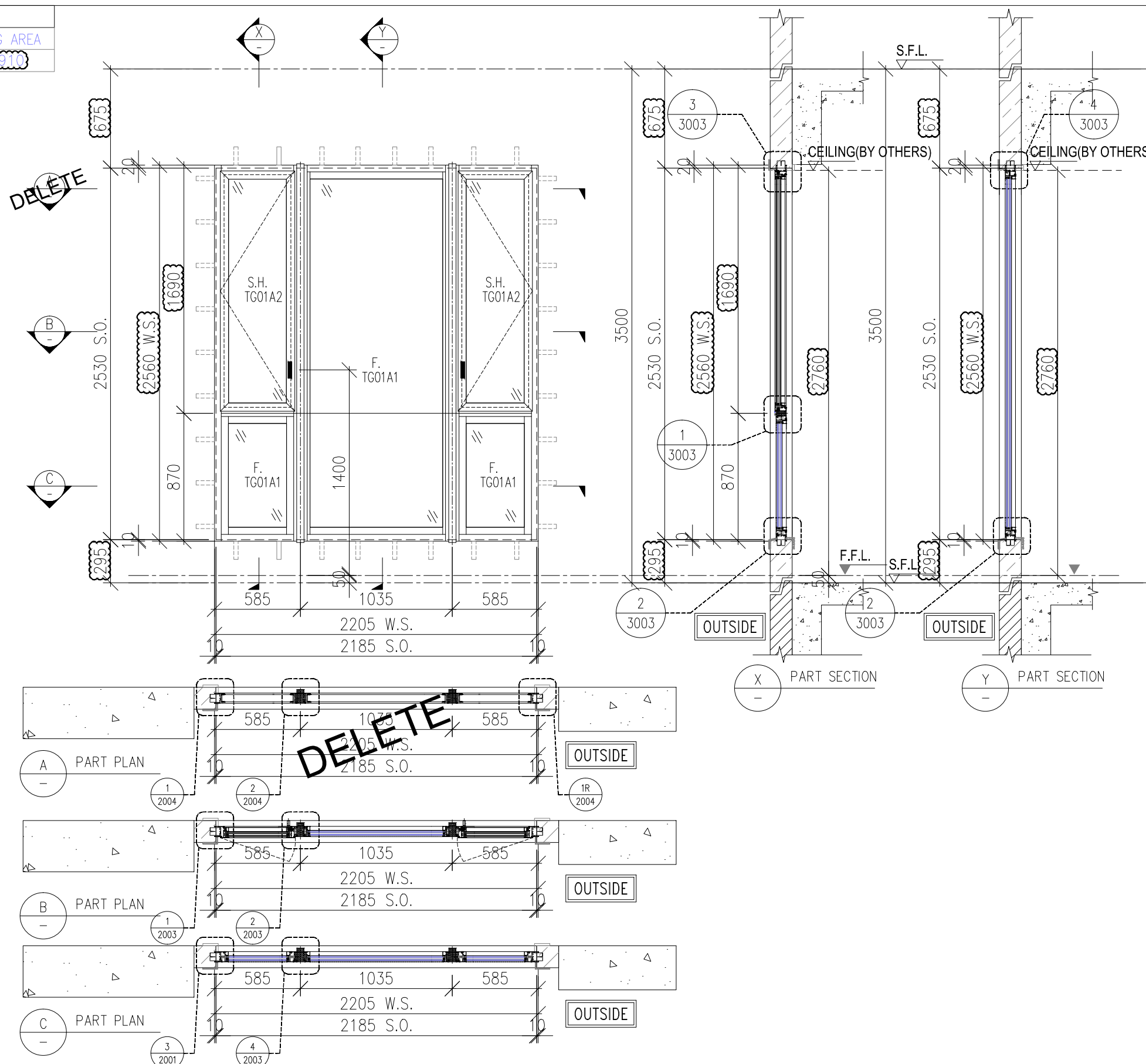
DATE : 26-06-24 SCALE : 1:30 @A3
 DRAWN BY : IVAN CHECKED BY :

美特鋁質有限公司
 MIDI ALUMINIUM FABRICATOR LTD.
 Units 6-8, Sunray Industrial Centre, 1/F
 610 Cha Kwo Ling Road, Kowloon
 Tel:23489211-4 Fax:(852)2727666

DWG NO. : J861-SD-PW-1004 REV. : B

WINDOW MARK	4 nos.
LOCATION	(STAIRCASE ST-1 25/F,27/F,29/F,31/F)
GLAZING	TG04
WINDOW FRAME	70mm ALUM. WINDOW SECTION , 4 BAR HINGE

REQUIRE		PROVIDED	
OPENABLE AREA	GLAZING AREA	OPENABLE AREA	GLAZING AREA
-	-	1.155	3.910



B.D. REF :

WONG TUNG & PARTNERS LTD.	
APPROVED	
APPROVED AS NOTED	
APPROVED AS NOTED & RESUBMIT	
RESUBMIT	
NO COMMENT	
REFER OTHER CONSULTANT'S COMMENTS	

Reviewed for compliance with the design intent. Comments made shall apply to all similar conditions & details, not just the ones cited. The approval shall not be construed as relieving the contractor for compliance with the contract documents & requirements.

Reviewed By _____ Date _____

CLIENT :
 Pacific Century Premium Developments
 盈科大衍地產發展

ARCHITECT :
 WONG TUNG & PARTNERS LIMITED
 ARCHITECTS & PLANNERS

MAIN CONTRACTOR :
 顯利工程有限公司
 HIEN LEE ENGINEERING CO., LTD.

STRUCTURAL ENGINEER :
 SYW & ASSOCIATES LTD.
 CHARTERED ENGINEERS & AUTHORIZED PERSONS
 鄧賢偉建築工程師

FAÇADE CONSULTANT:

- NOTE :
1. ALL DIMENSIONS ARE IN mm.
 2. ALL ELEVATIONS ARE VIEWED FROM OUTSIDE.
 3. ALL DIMENSIONS TO BE VERIFIED ON SITE BEFORE FABRICATION.
- LEGEND :
- (X1) --- DETAIL MARK NO.
 - (X001) --- REFER SHEET NO.
1. F.F.L. --- FINISHED FLOOR LEVEL
 2. S.F.L. --- STRUCTURAL FLOOR LEVEL
 3. (R) --- REVERSED DETAIL
 4. F. --- FIXED WINDOW
 4. SH. --- TOP HUNG WINDOW
 5. --- LOUVER
 6. GLASS LEGEND
- TG01A1---SOUTH-EAST FAÇADE: LOW-E IGU-YKED160J (#2)
 8mmHS CLEAR GLASS+12A+10mmT CLEAR GLASS
 TG01A2---SOUTH-EAST FAÇADE: LOW-E IGU-YKED160J (#2)
 8mmHS CLEAR GLASS+12A+8mmT CLEAR GLASS
 TG03---10mmT LIGHT GREY TINTED GLASS
 TG04---8mmHS LIGHT GREY TINTED GLASS
 TG05---8mmHS LIGHT GREY TINTED FROSTED GLASS

	GLAZING AREA
	OPENABLE AREA

B	16/09/2024	REVISION SUBJECT TO ARCH.COMMENT	MN
A	26/08/2024	REVISION SUBJECT TO ARCH.COMMENT	MN
NO.	DATE	REVISED	BY

JOB NO. : J-861

PROJECT :
 PROPOSED RESIDENTIAL DEVELOPMENT AT NOS. 3-6 GLENEALY, CENTRAL, HONG KONG

TITLE :
 WINDOW SCHEDULE FOR PRECAST WINDOW

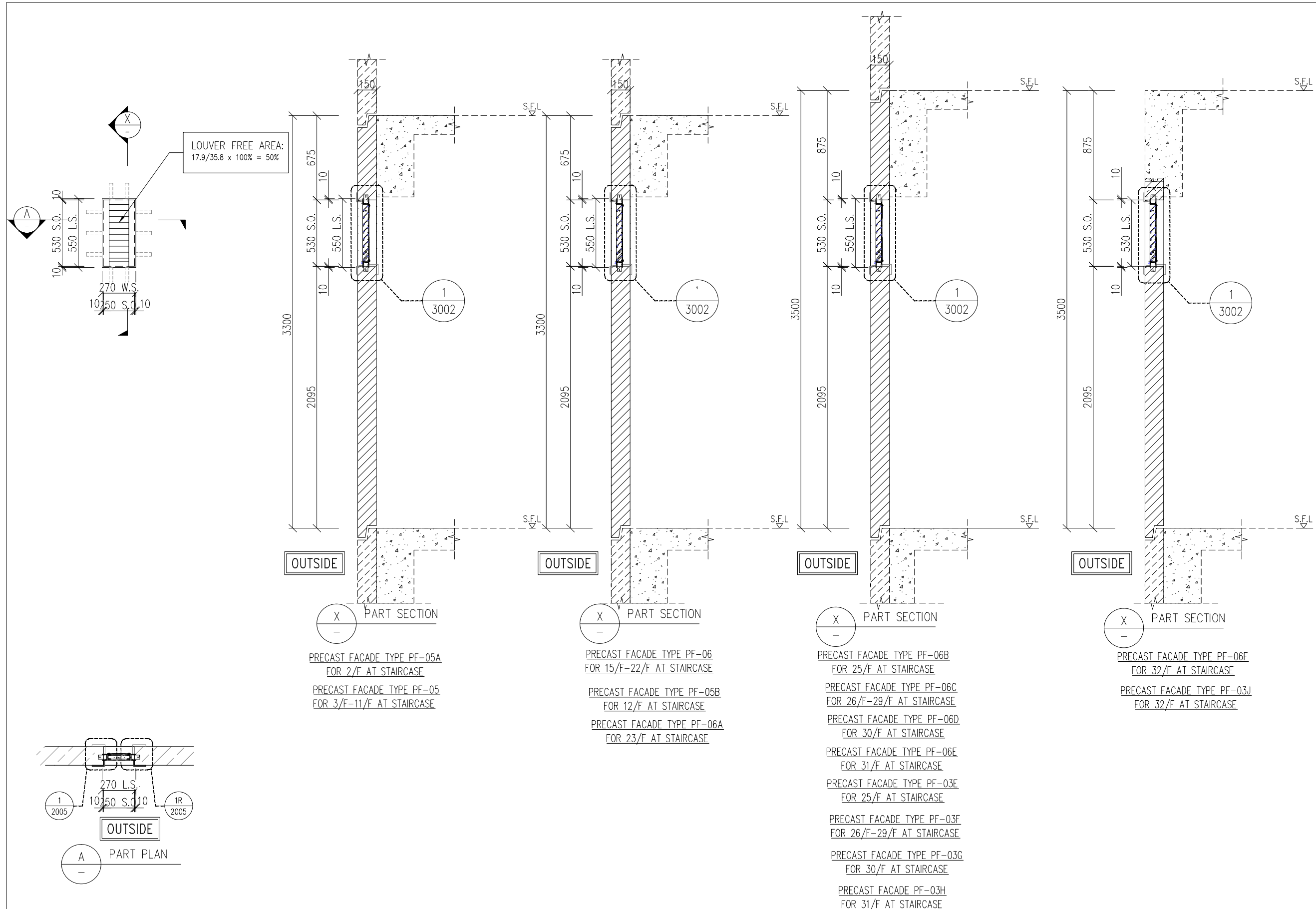
DATE : 26-06-24 SCALE : 1:30 @A3

DRAWN BY : IVAN CHECKED BY :

美特鋁質有限公司
 MIDI ALUMINIUM FABRICATOR LTD.
 Units 6-8, Sunray Industrial Centre, 1/F
 610 Cha Kwo Ling Road, Kowloon
 Tel:23489211-4 Fax:(852)2727666

DWG NO. : J861-SD-PW-1005 REV. : B

WINDOW MARK	2 nos.
LOCATION	(FLAT A MASTER ENSUITE 31/F , 32/F)
GLAZING	EG01
WINDOW FRAME	70mm ALUM. WINDOW SECTION , 4 BAR HINGE



WINDOW MARK	27 nos.
LOCATION	(RSMRR AT 2/F-32/F)
GLAZING	
WINDOW FRAME	50mm ALUM. LOUVER SECTION

B.D. REF :

WONG TUNG & PARTNERS LTD.	
APPROVED	
APPROVED AS NOTED	
APPROVED AS NOTED & RESUBMIT	
RESUBMIT	
NO COMMENT	
REFER OTHER CONSULTANT'S COMMENTS	
Reviewed for compliance with the design intent. Comments made shall apply to all similar conditions & details, not just the ones cited. The approval shall not be construed as relieving the contractor for compliance with the contract documents & requirements.	
Reviewed By	Date

CLIENT :

Pacific Century Premium Developments
盈科大衍地產發展

ARCHITECT :

WONG TUNG & PARTNERS LIMITED
ARCHITECTS & PLANNERS

MAIN CONTRACTOR :

顯利工程有限公司
HIEN LEE ENGINEERING CO., LTD.

STRUCTURAL ENGINEER :

SYW & ASSOCIATES LTD.
REGISTERED ENGINEERS & AUTHORIZED PERSONS
鄧賢偉建築工程師

FACADE CONSULTANT:

- NOTE :
1. ALL DIMENSIONS ARE IN mm.
 2. ALL ELEVATIONS ARE VIEWED FROM OUTSIDE.
 3. ALL DIMENSIONS TO BE VERIFIED ON SITE BEFORE FABRICATION.
- LEGEND :
- DETAIL MARK NO.
 - REFER SHEET NO.
 - 1. F.F.L. -- FINISHED FLOOR LEVEL
 - 2. S.F.L. -- STRUCTURAL FLOOR LEVEL
 - 3. -- REVERSED DETAIL
 - 4. F. -- FIXED WINDOW
 - 4. SH. -- TOP HUNG WINDOW
 - 5. -- LOUVER
 - 6. GLASS LEGEND
- TG01A1--SOUTH-EAST FACADE: LOW-E IGU-YKED160J (#2)
8mmHS CLEAR GLASS+12A+10mmT CLEAR GLASS
- TG01A2--SOUTH-EAST FACADE: LOW-E IGU-YKED160J (#2)
8mmHS CLEAR GLASS+12A+8mmT CLEAR GLASS
- TG03--10mmT LIGHT GREY TINTED GLASS
- TG04--8mmHS LIGHT GREY TINTED GLASS
- TG05--8mmHS LIGHT GREY TINTED FROSTED GLASS

	GLAZING AREA
	OPENABLE AREA

A	26/08/2024	REVISION SUBJECT TO ARCH.COMMENT	MN
NO.	DATE	REVISED	BY

JOB NO. : J-861

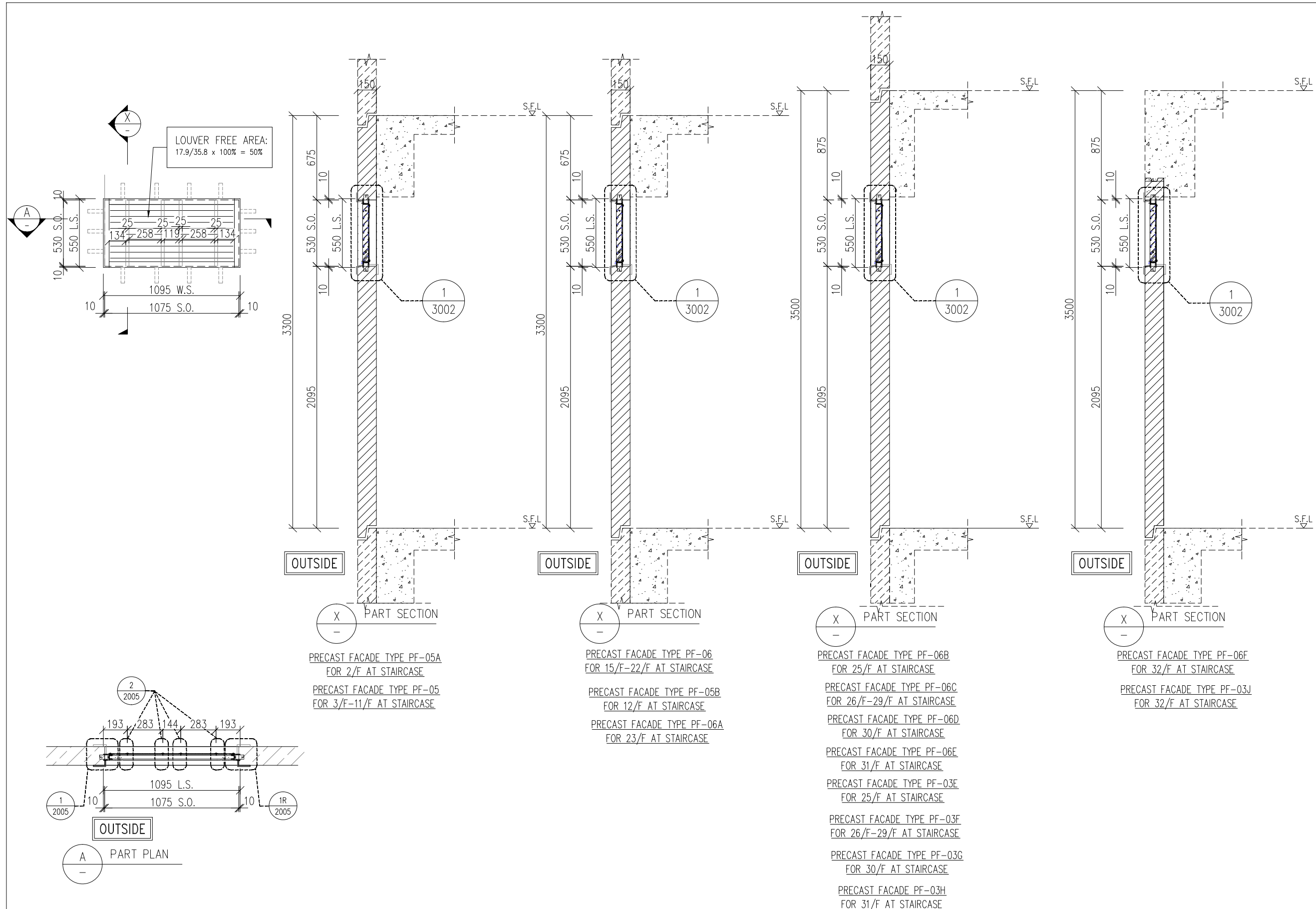
PROJECT : PROPOSED RESIDENTIAL DEVELOPMENT AT NOS. 3-6 GLENEALY, CENTRAL, HONG KONG

TITLE : WINDOW SCHEDULE FOR PRECAST WINDOW

DATE : 26-06-24	SCALE : 1:30 @A3
DRAWN BY : IVAN	CHECKED BY :

美特鋁質有限公司
MIDI ALUMINIUM FABRICATOR LTD.
Units 6-8, Sunray Industrial Centre, 1/F
610 Cha Kwo Ling Road, Kowloon
Tel:23489211-4 Fax:(852)2727666

DWG NO. : J861-SD-PW-1006 REV. : A



WINDOW MARK	27 nos.
LOCATION	(RSMRR AT 2/F-32/F)
GLAZING	
WINDOW FRAME	50mm ALUM. LOUVER SECTION

B.D. REF :

WONG TUNG & PARTNERS LTD.	
APPROVED	
APPROVED AS NOTED	
APPROVED AS NOTED & RESUBMIT	
RESUBMIT	
NO COMMENT	
REFER OTHER CONSULTANT'S COMMENTS	
Reviewed for compliance with the design intent. Comments made shall apply to all similar conditions & details, not just the ones cited. The approval shall not be construed as relieving the contractor for compliance with the contract documents & requirements.	
Reviewed By	Date

CLIENT :

Pacific Century Premium Developments
盈科大衍地產發展

ARCHITECT :

WONG TUNG & PARTNERS LIMITED
ARCHITECTS & PLANNERS

MAIN CONTRACTOR :

顯利工程有限公司
HIEN LEE ENGINEERING CO., LTD.

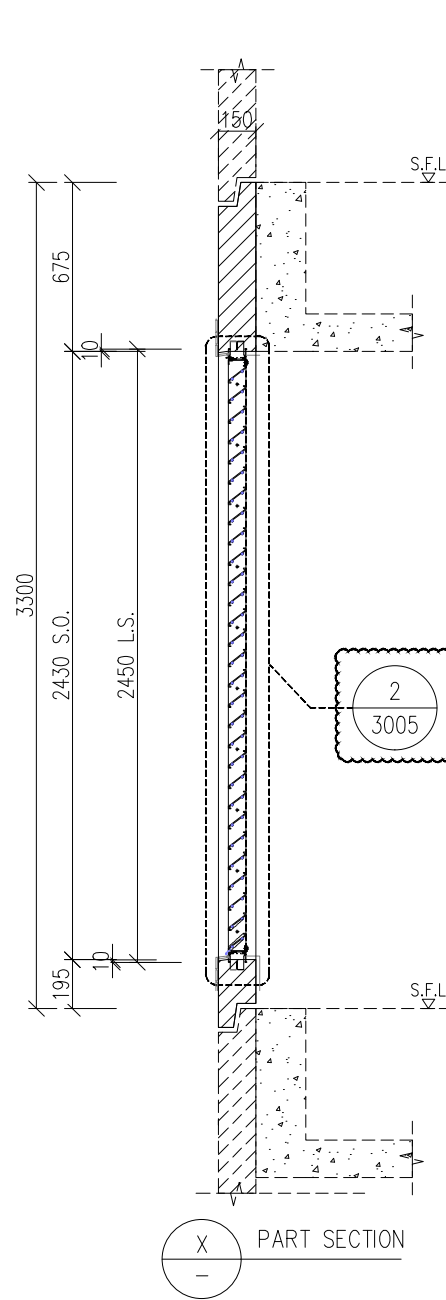
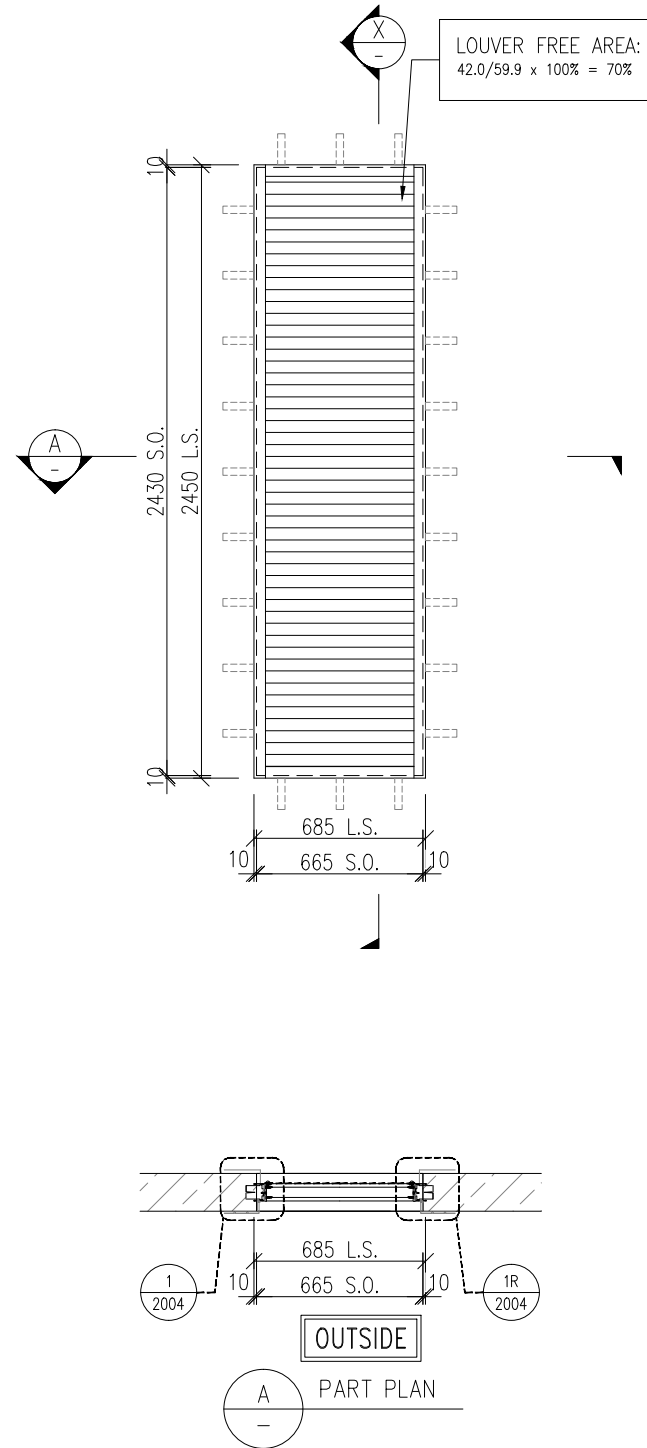
STRUCTURAL ENGINEER :

SYW & ASSOCIATES LTD.
REGISTERED ENGINEERS & AUTHORIZED PERSONS
專業建築工程師

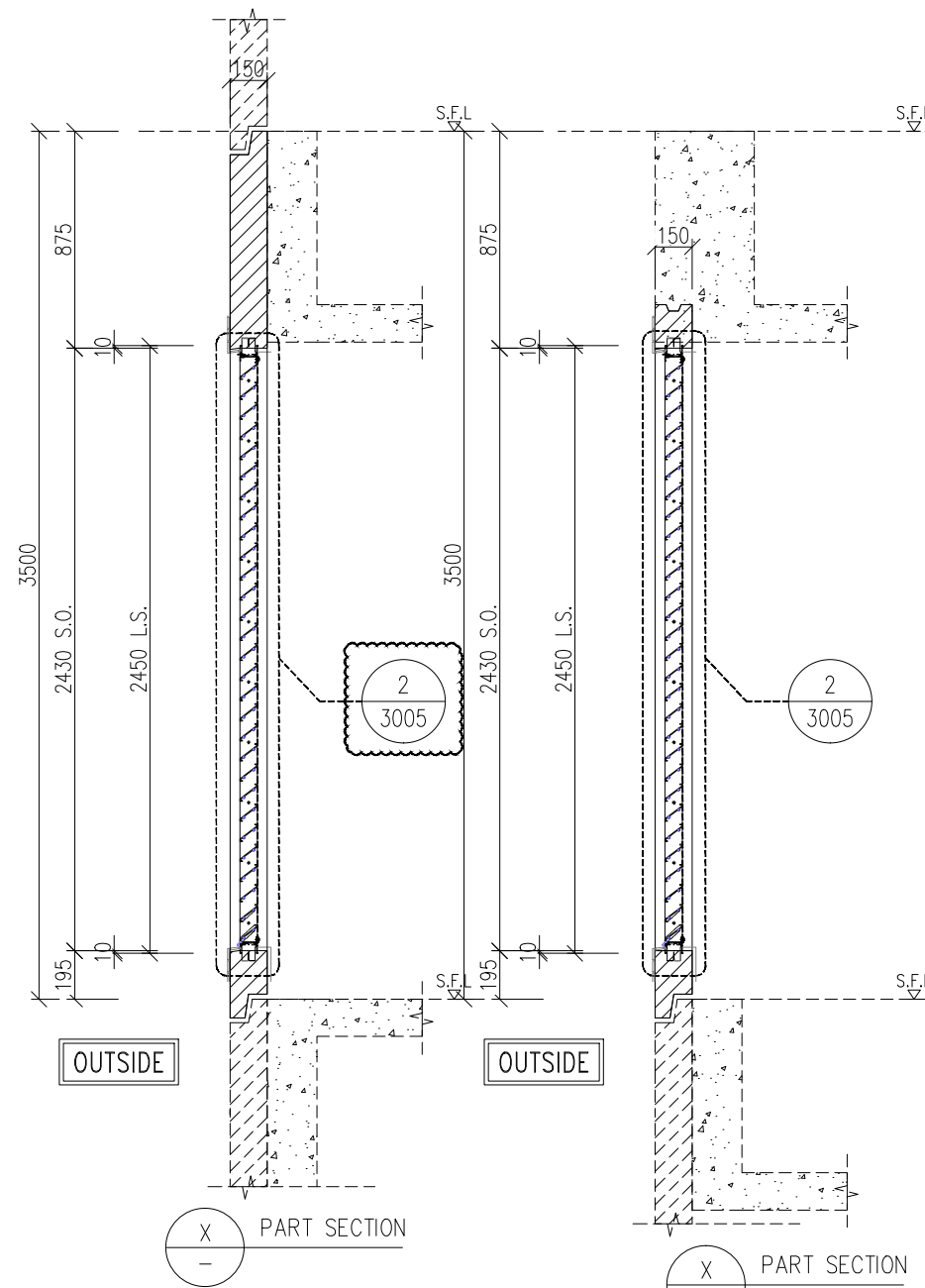
FACADE CONSULTANT:

- NOTE :
1. ALL DIMENSIONS ARE IN mm.
 2. ALL ELEVATIONS ARE VIEWED FROM OUTSIDE.
 3. ALL DIMENSIONS TO BE VERIFIED ON SITE BEFORE FABRICATION.
- LEGEND :
- x1 - DETAIL MARK NO.
 - x001 - REFER SHEET NO.
 - 1. F.F.L. -- FINISHED FLOOR LEVEL
 - 2. S.F.L. -- STRUCTURAL FLOOR LEVEL
 - 3. -- REVERSED DETAIL
 - 4. F. -- FIXED WINDOW
 - 4. SH. -- TOP HUNG WINDOW
 - 5. -- LOUVER
 - 6. GLASS LEGEND
- TG01A1--SOUTH-EAST FACADE: LOW-E IGU-YKED160J (#2)
8mmHS CLEAR GLASS+12A+10mmT CLEAR GLASS
- TG01A2--SOUTH-EAST FACADE: LOW-E IGU-YKED160J (#2)
8mmHS CLEAR GLASS+12A+8mmT CLEAR GLASS
- TG03--10mmT LIGHT GREY TINTED GLASS
- TG04--8mmHS LIGHT GREY TINTED GLASS
- TG05--8mmHS LIGHT GREY TINTED FROSTED GLASS
- GLAZING AREA
 - OPENABLE AREA

NO.	DATE	REVISED	BY
JOB NO. : J-861			
PROJECT : PROPOSED RESIDENTIAL DEVELOPMENT AT NOS. 3-6 GLENEALY, CENTRAL, HONG KONG			
TITLE : WINDOW SCHEDULE FOR PRECAST WINDOW			
DATE : 26-06-24	SCALE : 1:30 @A3		
DRAWN BY : IVAN	CHECKED BY :		
美特鋁質有限公司 MIDI ALUMINIUM FABRICATOR LTD. Units 6-8, Sunray Industrial Centre, 1/F 610 Cha Kwo Ling Road, Kowloon Tel:23489211-4 Fax:(852)2727666			
DWG NO. : J861-SD-PW-1006A	REV. :		



PRECAST FACADE TYPE PF-07
FOR 15/F-22/F AT STAIRCASE
PRECAST FACADE TYPE PF-07A
FOR 23/F AT STAIRCASE



PRECAST FACADE TYPE PF-07B
FOR 25/F AT STAIRCASE
PRECAST FACADE TYPE PF-07C
FOR 26/F-29/F AT STAIRCASE
PRECAST FACADE TYPE PF-07D
FOR 30/F AT STAIRCASE
PRECAST FACADE TYPE PF-07E
FOR 31/F AT STAIRCASE

PRECAST FACADE TYPE PF-07F
FOR 32/F AT STAIRCASE

B.D. REF :

WONG TUNG & PARTNERS LTD.	
APPROVED	
APPROVED AS NOTED	
APPROVED AS NOTED & RESUBMIT	
RESUBMIT	
NO COMMENT	
REFER OTHER CONSULTANT'S COMMENTS	
Reviewed for compliance with the design intent. Comments made shall apply to all similar conditions & details, not just the ones cited. The approval shall not be construed as relieving the contractor for compliance with the contract documents & requirements.	
Reviewed By	Date

CLIENT :
 Pacific Century Premium Developments
 盈科大衍地產發展

ARCHITECT :
 WONG TUNG & PARTNERS LIMITED
 ARCHITECTS & PLANNERS

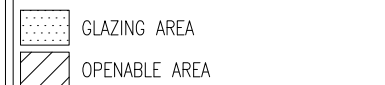
MAIN CONTRACTOR :
 顯利工程有限公司
 HIEN LEE ENGINEERING CO., LTD.

STRUCTURAL ENGINEER :
 SYW & ASSOCIATES LTD.
 CHARTERED ENGINEERS & AUTHORIZED PERSONS
 鄧賢偉建築工程師

FACADE CONSULTANT:

- NOTE :
1. ALL DIMENSIONS ARE IN mm.
 2. ALL ELEVATIONS ARE VIEWED FROM OUTSIDE.
 3. ALL DIMENSIONS TO BE VERIFIED ON SITE BEFORE FABRICATION.

- LEGEND :
- x1 - DETAIL MARK NO.
 - x001 - REFER SHEET NO.
1. F.F.L. -- FINISHED FLOOR LEVEL
 2. S.F.L. -- STRUCTURAL FLOOR LEVEL
 3. (R) -- REVERSED DETAIL
 4. F. -- FIXED WINDOW
 4. SH. -- TOP HUNG WINDOW
 5. (with louver symbol) -- LOUVER
 6. GLASS LEGEND
- TG01A1--SOUTH-EAST FACADE: LOW-E IGU-YKED160J (#2)
 8mmHS CLEAR GLASS+12A+10mmT CLEAR GLASS
 TG01A2--SOUTH-EAST FACADE: LOW-E IGU-YKED160J (#2)
 8mmHS CLEAR GLASS+12A+8mmT CLEAR GLASS
 TG03--10mmT LIGHT GREY TINTED GLASS
 TG04--8mmHS LIGHT GREY TINTED GLASS
 TG05--8mmHS LIGHT GREY TINTED FROSTED GLASS



B	16/09/2024	REVISION SUBJECT TO ARCH.COMMENT	WN
A	26/08/2024	REVISION SUBJECT TO ARCH.COMMENT	WN
NO.	DATE	REVISED	BY

JOB NO. : J-861
 PROJECT : PROPOSED RESIDENTIAL DEVELOPMENT AT NOS. 3-6 GLENEALY, CENTRAL, HONG KONG

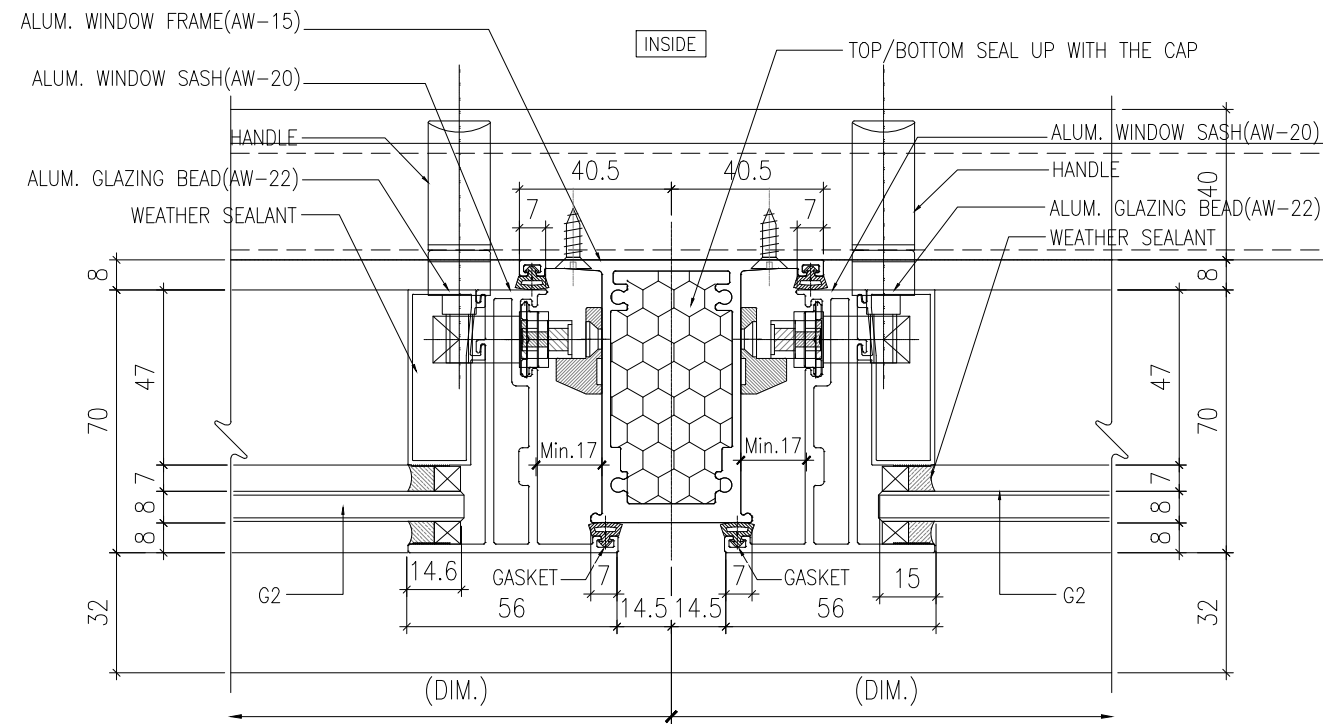
TITLE : WINDOW SCHEDULE FOR PRECAST WINDOW

DATE : 26-06-24 SCALE : 1:30 @A3
 DRAWN BY : IVAN CHECKED BY :

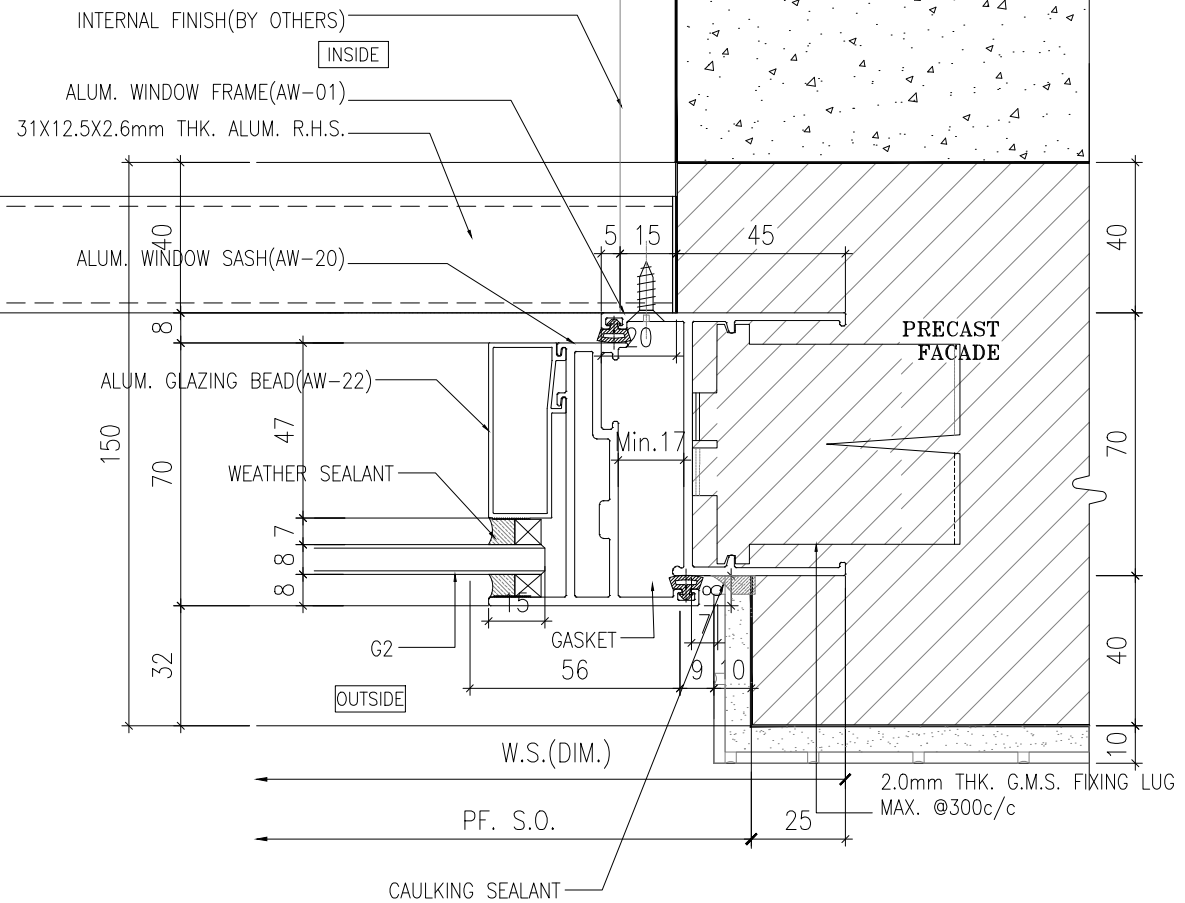
美特鋁質有限公司
 ALUMINIUM FABRICATOR LTD.
 Units 6-8, Sunray Industrial Centre, 1/F
 610 Cha Kwo Ling Road, Kowloon
 Tel:23489211-4 Fax:(852)2727666

DWG NO. : J861-SD-PW-1008 REV. : B

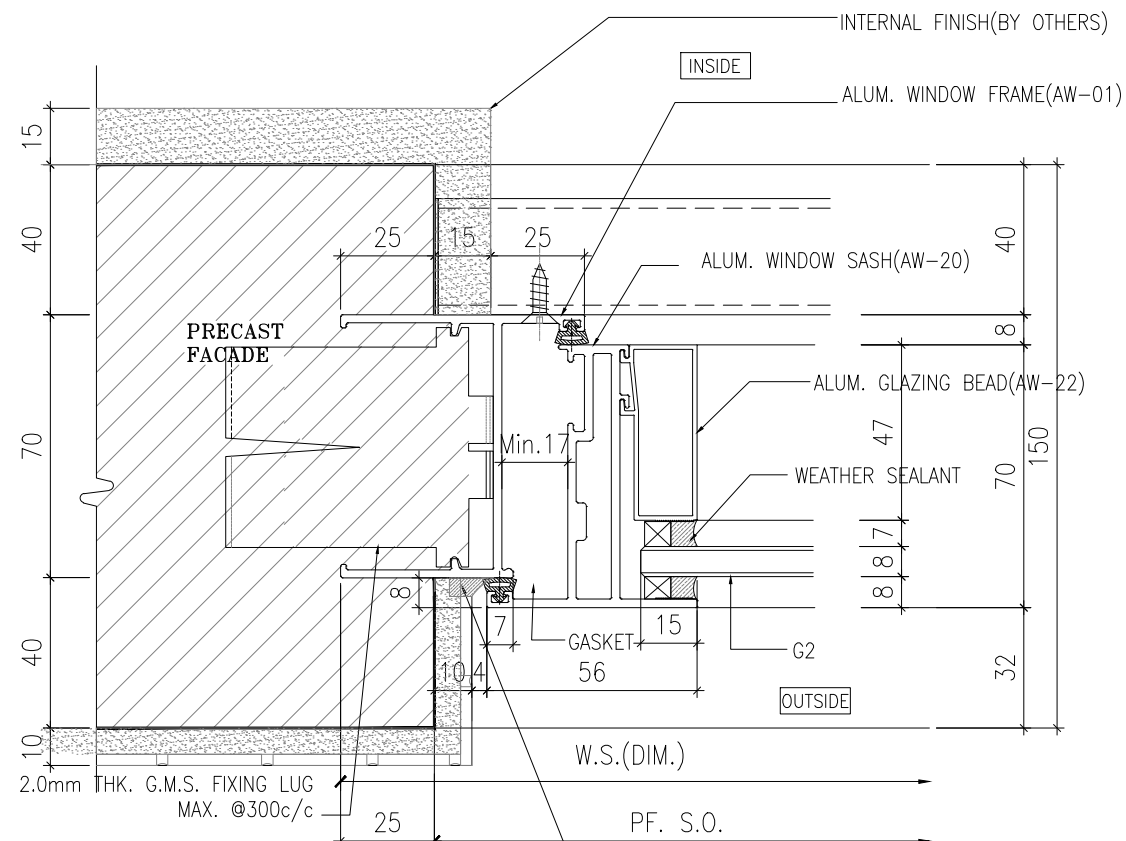
WINDOW MARK	17 nos.
LOCATION	(A/C PLANT ROOM AT 15/F-32/F)
GLAZING	
WINDOW FRAME	70mm ALUM. LOUVER SECTION



1 HORIZONTAL DETAIL
 70 SECTION



2 HORIZONTAL DETAIL
 70 SECTION



3 HORIZONTAL DETAIL
 70 SECTION

B.D. REF :

WONG TUNG & PARTNERS LTD.	
APPROVED	
APPROVED AS NOTED	
APPROVED AS NOTED & RESUBMIT	
RESUBMIT	
NO COMMENT	
REFER OTHER CONSULTANT'S COMMENTS	
Reviewed for compliance with the design intent. Comments made shall apply to all similar conditions & details, not just the ones cited.	
The approval shall not be construed as relieving the contractor for compliance with the contract documents & requirements.	
Reviewed By	Date

CLIENT :

Pacific Century
 Premium Developments
 盈科大衍地產發展

ARCHITECT :

WONG TUNG & PARTNERS LIMITED
 ARCHITECTS & PLANNERS

MAIN CONTRACTOR :

顯利工程有限公司
 HIEN LEE ENGINEERING CO., LTD.

STRUCTURAL ENGINEER :

SYW & ASSOCIATES LTD.
 REGISTERED ENGINEERS & AUTHORIZED PERSONS
 鄧賢偉建築工程師

FACADE CONSULTANT :

NOTE :

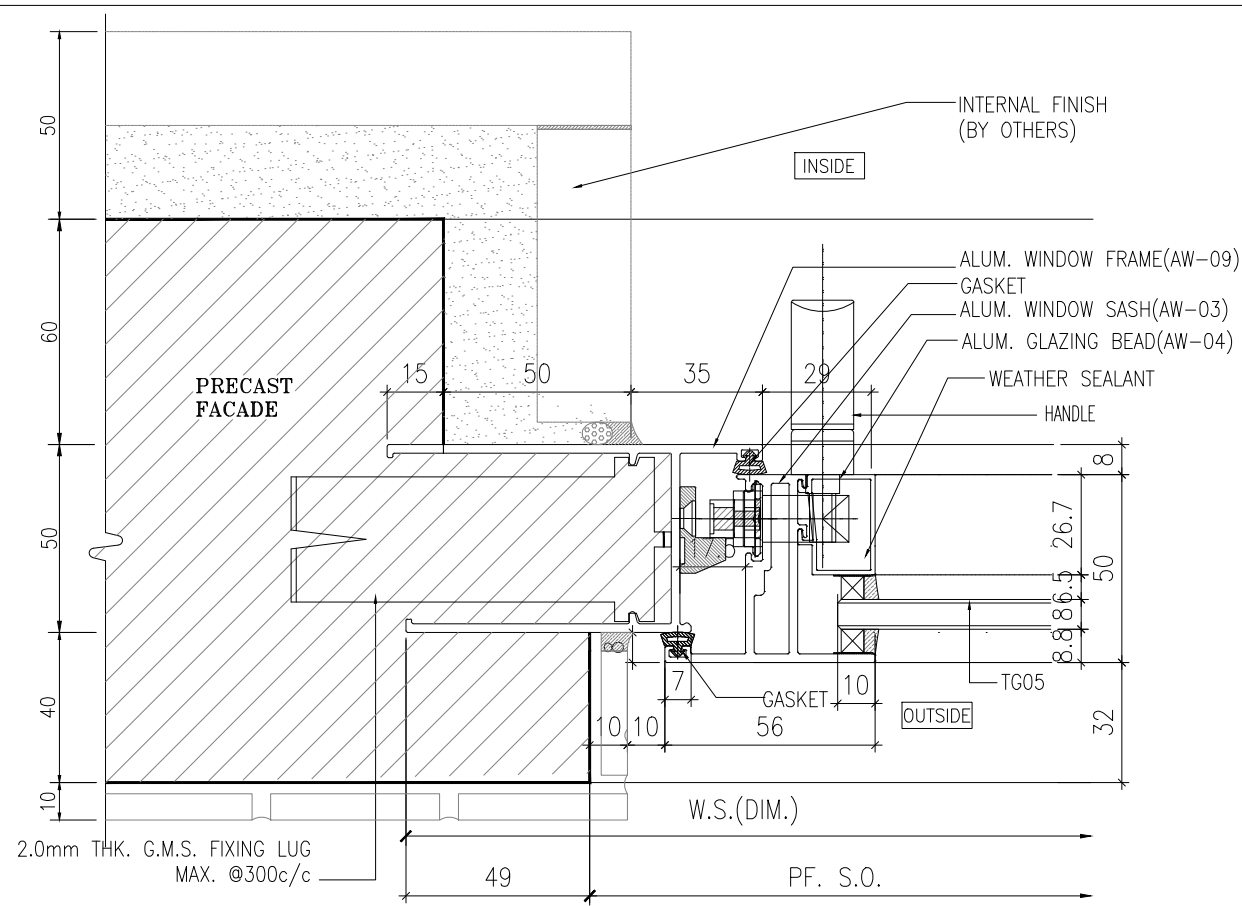
1. ALL DIMENSIONS ARE IN mm.
2. ALL ELEVATIONS ARE VIEWED FROM OUTSIDE.
3. ALL DIMENSIONS TO BE VERIFIED ON SITE BEFORE FABRICATION.

LEGEND :

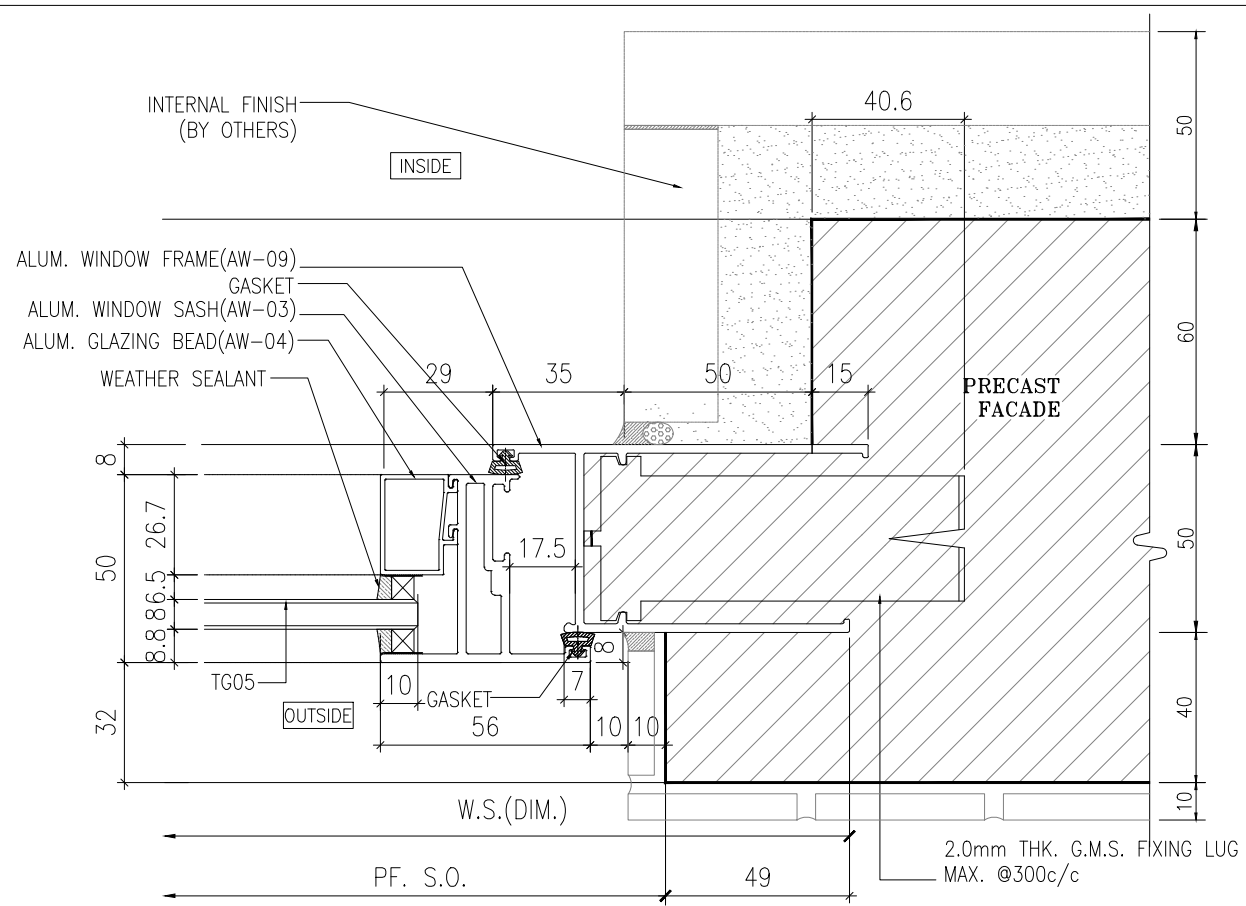
x1 - DETAIL MARK NO.
 x001 - REFER SHEET NO.

1. F.F.L. -- FINISHED FLOOR LEVEL
2. S.F.L. -- STRUCTURAL FLOOR LEVEL
3. (R) -- REVERSED DETAIL
4. GLASS LEGEND
 TG05 -- 8mmHS LIGHT BLUE TINTED GLASS
 EG01 -- 8mmHS CLEAR GLASS +12A
 +10mmHT CLEAR GLASS (IGU)
 BHS -- 8mmHS CLEAR GLASS

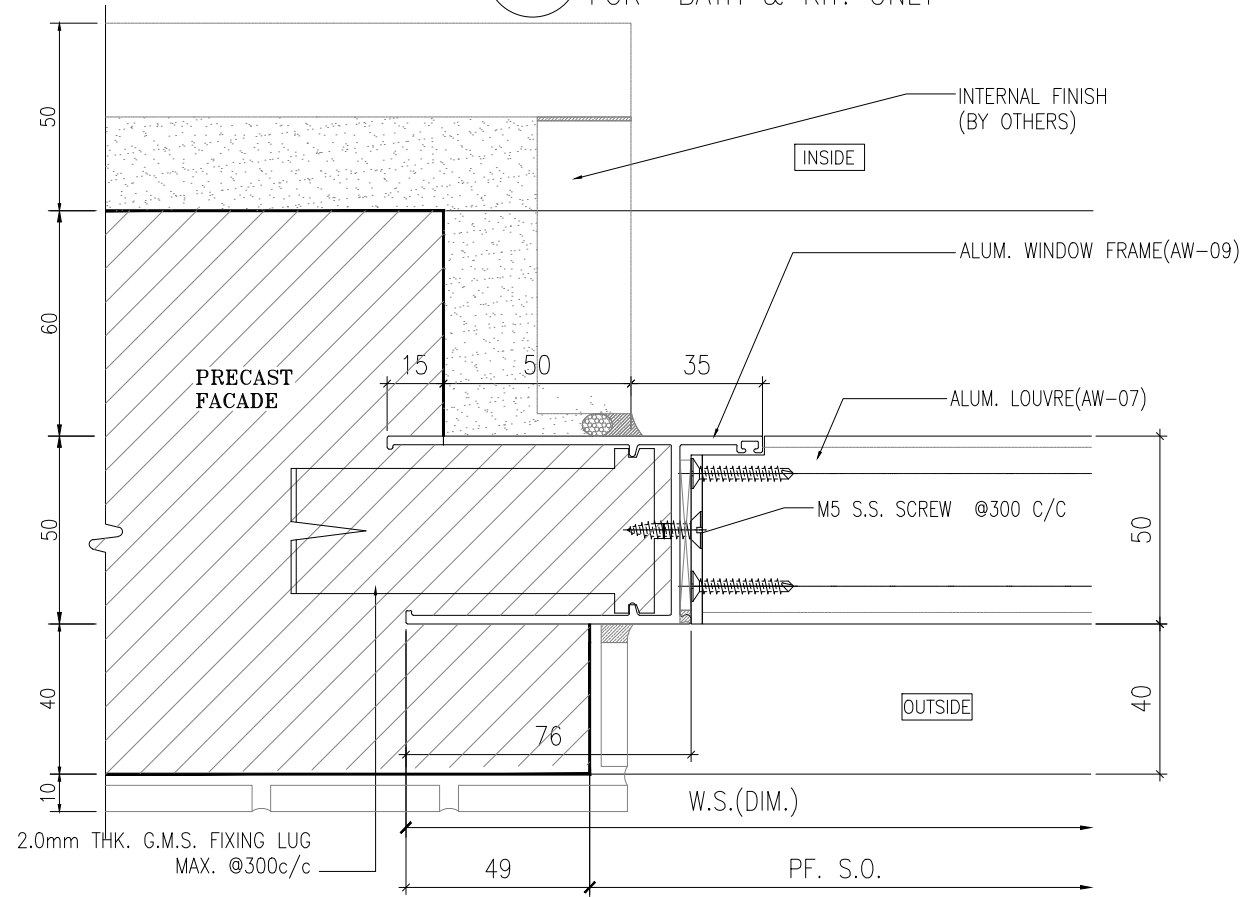
A	01/08/2024	GENERAL REVISION	Ivan
No.	DATE	REVISED	BY
JOB NO. : J-861			
PROJECT : PROPOSED RESIDENTIAL DEVELOPMENT AT NOS. 3-6 GLENEALY, CENTRAL, HONG KONG			
TITLE : TYPICAL DETAILS FOR PRECAST WINDOW			
DATE : 26-06-24	SCALE : 1:2 @A3		
DRAWN BY : IVAN	CHECKED BY :		
美特鋁質有限公司 MIDI ALUMINIUM FABRICATOR LTD. Units 6-8, Sunray Industrial Centre, 1/F 610 Cha Kwo Ling Road, Kowloon Tel:23489211-4 Fax:(852)2727666			
DWG NO. : J861-SD-PW-2001	REV. : A		



1 HORIZONTAL DETAIL FOR BATH & KIT. ONLY



2 HORIZONTAL DETAIL FOR BATH & KIT. ONLY



3 HORIZONTAL DETAIL FOR BATH & KIT. ONLY

B.D. REF :

WONG TUNG & PARTNERS LTD.	
APPROVED	
APPROVED AS NOTED	
APPROVED AS NOTED & RESUBMIT	
RESUBMIT	
NO COMMENT	
REFER OTHER CONSULTANT'S COMMENTS	
Reviewed for compliance with the design intent. Comments made shall apply to all similar conditions & details, not just the ones cited.	
The approval shall not be construed as relieving the contractor for compliance with the contract documents & requirements.	
Reviewed By	Date

CLIENT : Pacific Century Premium Developments 盈科大衍地產發展

ARCHITECT : WONG TUNG & PARTNERS LIMITED ARCHITECTS & PLANNERS

MAIN CONTRACTOR : 顯利工程有限公司 HIEN LEE ENGINEERING CO., LTD.

STRUCTURAL ENGINEER : SYW & ASSOCIATES LTD. 蘇賢偉建築工程師

FACADE CONSULTANT:

- NOTE :
1. ALL DIMENSIONS ARE IN mm.
 2. ALL ELEVATIONS ARE VIEWED FROM OUTSIDE.
 3. ALL DIMENSIONS TO BE VERIFIED ON SITE BEFORE FABRICATION.
- LEGEND :
- x1 - DETAIL MARK NO.
 - x001 - REFER SHEET NO.
 - 1. F.F.L. -- FINISHED FLOOR LEVEL
 - 2. S.F.L. -- STRUCTURAL FLOOR LEVEL
 - 3. (R) -- REVERSED DETAIL
 - 4. GLASS LEGEND
 - TG05 -- 8mmHS LIGHT BLUE TINTED GLASS
 - EG01 -- 8mmHS CLEAR GLASS +12A
 - +10mmHT CLEAR GLASS (IGU)
 - BHS -- 8mmHS CLEAR GLASS

A	01/08/2024	GENERAL REVISION	ivan
No.	DATE	REVISED	BY

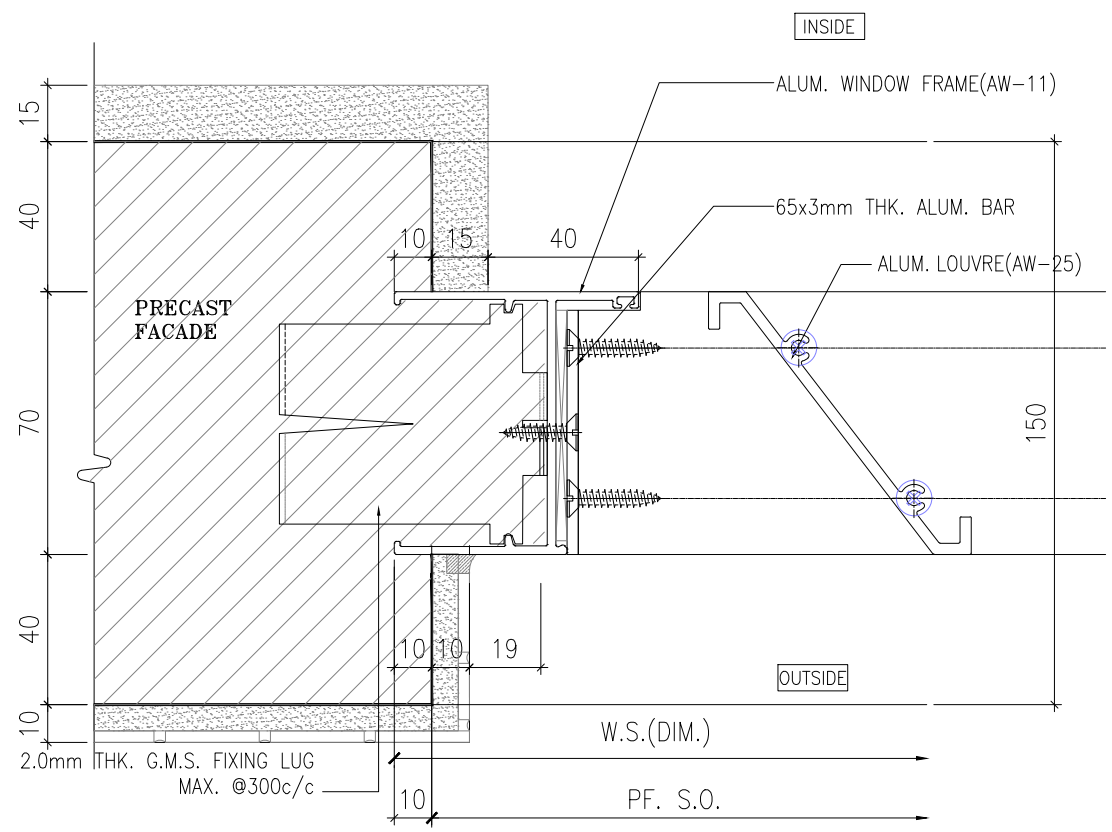
JOB NO. : J-861
 PROJECT : PROPOSED RESIDENTIAL DEVELOPMENT AT NOS. 3-6 GLENEALY, CENTRAL, HONG KONG

TITLE : TYPICAL DETAILS FOR PRECAST WINDOW

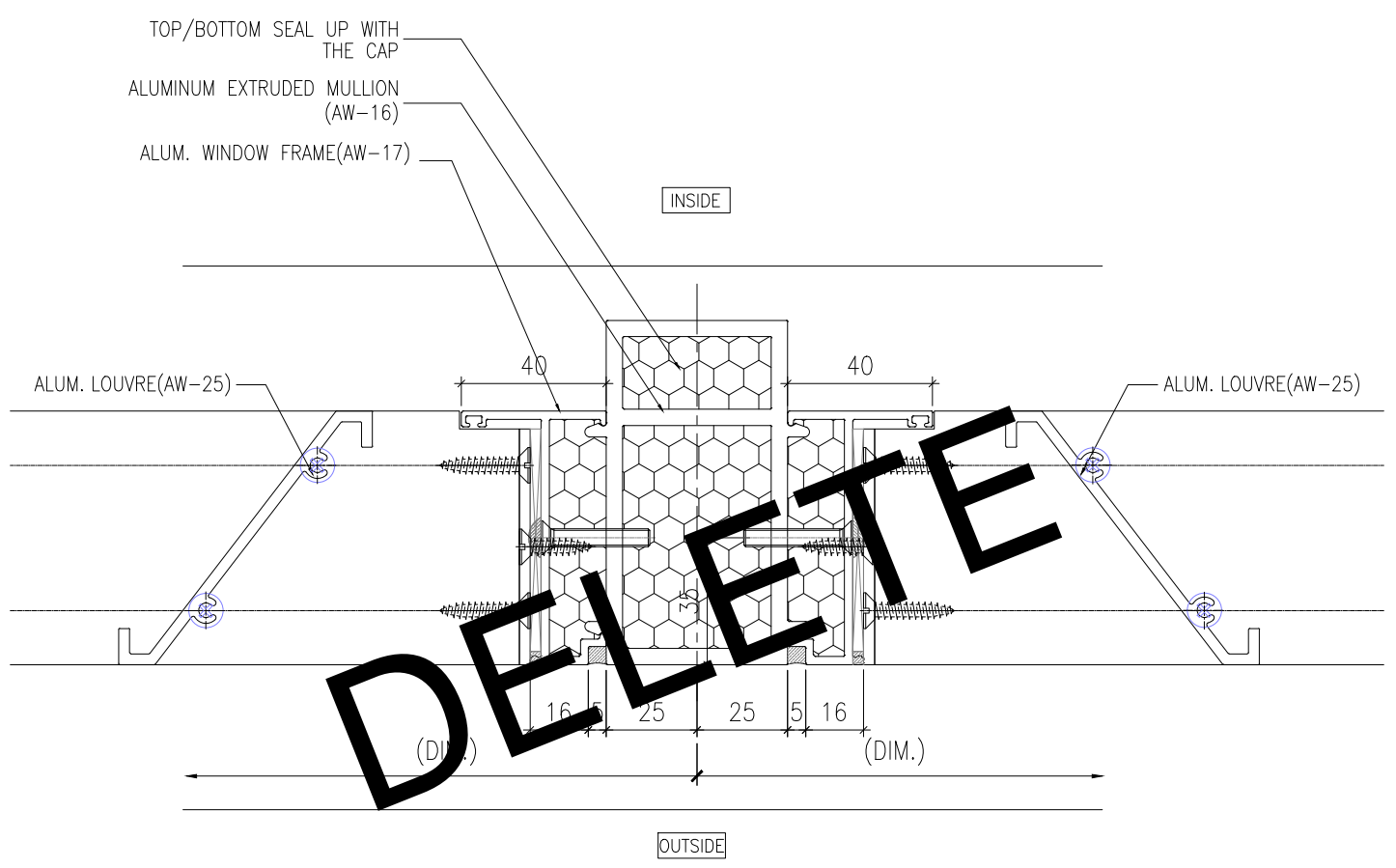
DATE : 26-06-24 SCALE : 1:2 @A3
 DRAWN BY : IVAN CHECKED BY :

美特鋁質有限公司
 MIDI ALUMINIUM FABRICATOR LTD.
 Units 6-8, Sunray Industrial Centre, 1/F
 610 Cha Kwo Ling Road, Kowloon
 Tel:23489211-4 Fax:(852)2727666

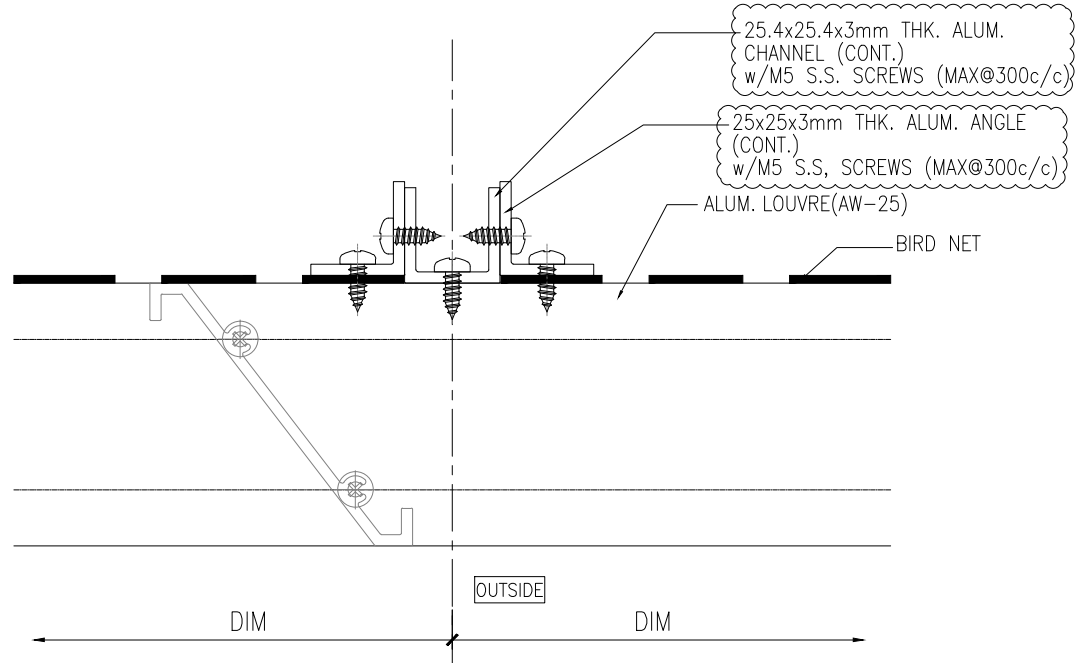
DWG NO. : J861-SD-PW-2002 REV. : A



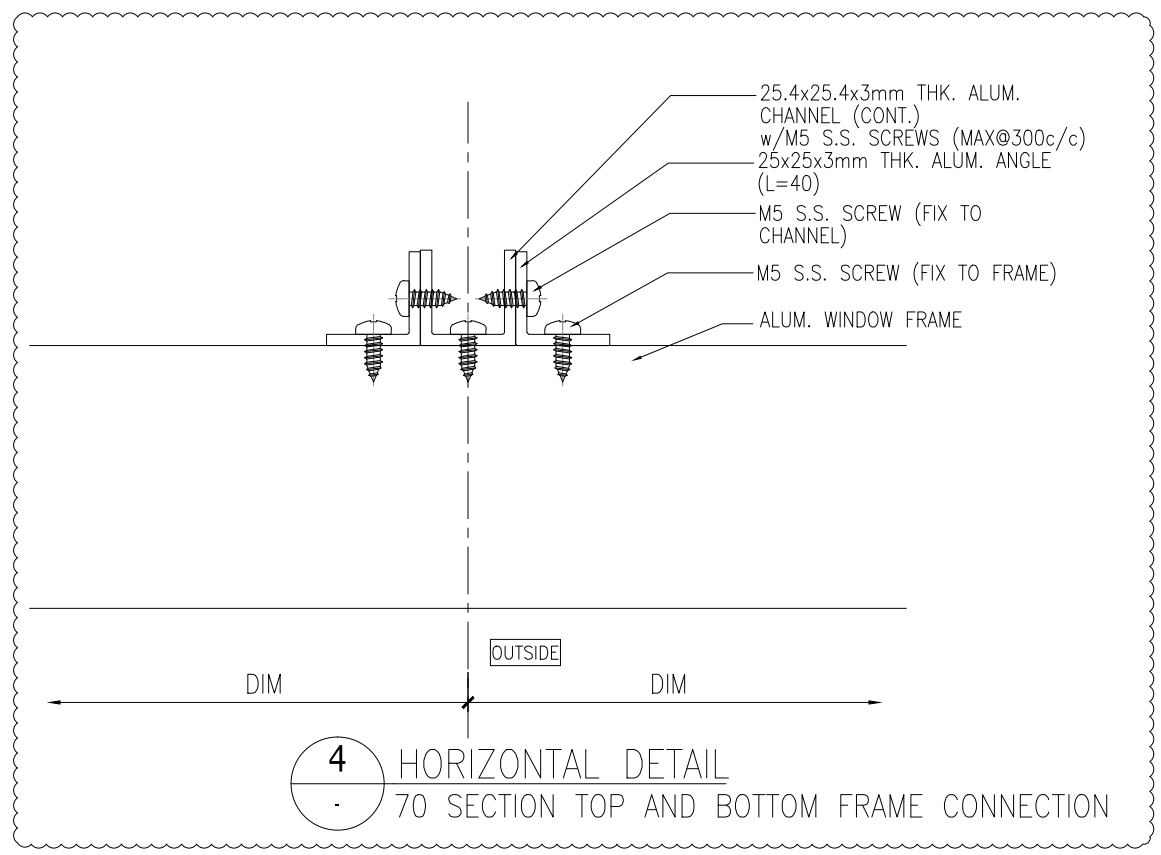
1 HORIZONTAL DETAIL
- 70 SECTION



2 HORIZONTAL DETAIL
- 70 SECTION



3 HORIZONTAL DETAIL
- 70 SECTION



4 HORIZONTAL DETAIL
- 70 SECTION TOP AND BOTTOM FRAME CONNECTION

B.D. REF :

WONG TUNG & PARTNERS LTD.	
APPROVED	
APPROVED AS NOTED	
APPROVED AS NOTED & RESUBMIT	
RESUBMIT	
NO COMMENT	
REFER OTHER CONSULTANT'S COMMENTS	
Reviewed for compliance with the design intent. Comments made shall apply to all similar conditions & details, not just the ones cited.	
The approval shall not be construed as relieving the contractor for compliance with the contract documents & requirements.	
Reviewed By	Date

CLIENT : Pacific Century Premium Developments 盈科大衍地產發展

ARCHITECT : WONG TUNG & PARTNERS LIMITED ARCHITECTS & PLANNERS

MAIN CONTRACTOR : 顯利工程有限公司 HIEN LEE ENGINEERING CO., LTD.

STRUCTURAL ENGINEER : SYW & ASSOCIATES LTD. 蘇賢偉建築工程師

FACADE CONSULTANT :

NOTE :

- ALL DIMENSIONS ARE IN mm.
- ALL ELEVATIONS ARE VIEWED FROM OUTSIDE.
- ALL DIMENSIONS TO BE VERIFIED ON SITE BEFORE FABRICATION.

LEGEND :

x1 - DETAIL MARK NO.
x001 - REFER SHEET NO.

- F.F.L. -- FINISHED FLOOR LEVEL
- S.F.L. -- STRUCTURAL FLOOR LEVEL
- ⊗ -- REVERSED DETAIL
- GLASS LEGEND
T605 -- 8mmHS LIGHT BLUE TINTED GLASS
EG01 -- 8mmHS CLEAR GLASS +12A
+10mmHT CLEAR GLASS (IGU)
BHS -- 8mmHS CLEAR GLASS

B	16/09/2024	GENERAL REVISION	MN
A	01/08/2024	GENERAL REVISION	Ivan
No.	DATE	REVISED	BY

JOB NO. : J-861

PROJECT : PROPOSED RESIDENTIAL DEVELOPMENT AT NOS. 3-6 GLENEALY, CENTRAL, HONG KONG

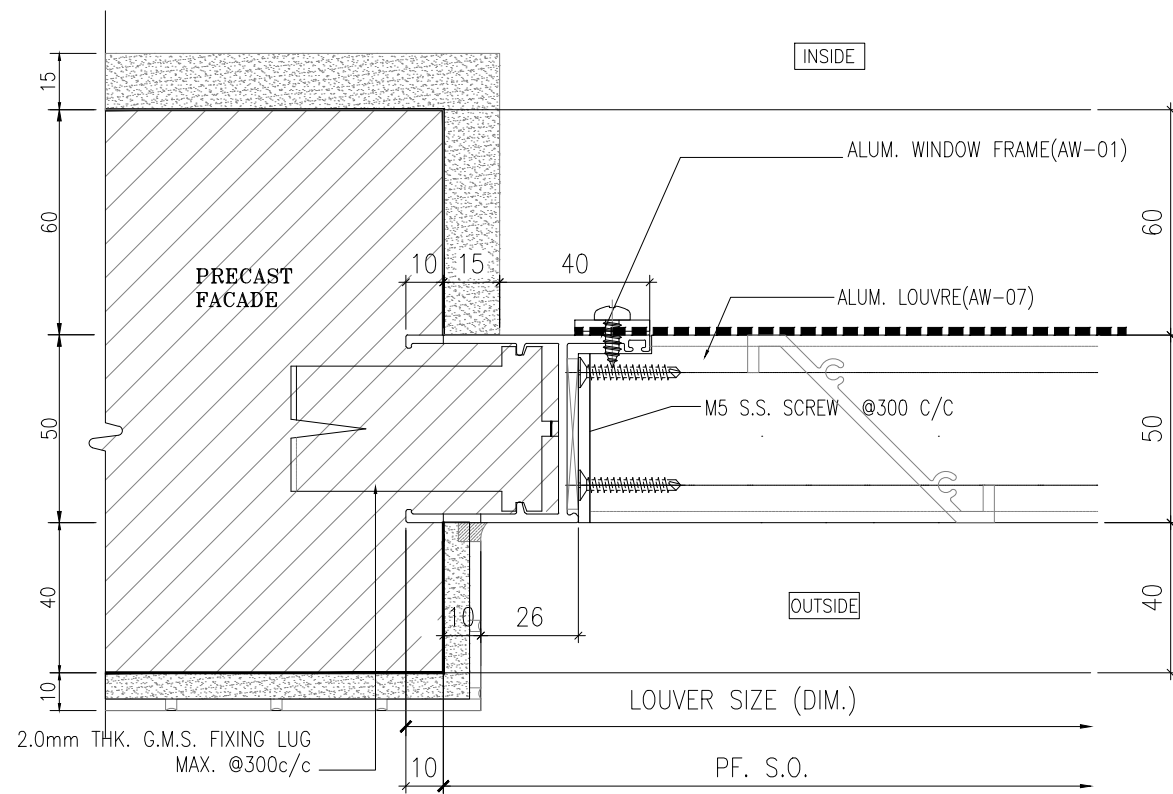
TITLE : TYPICAL DETAILS FOR PRECAST WINDOW

DATE : 26-06-24 SCALE : 1:2 @A3

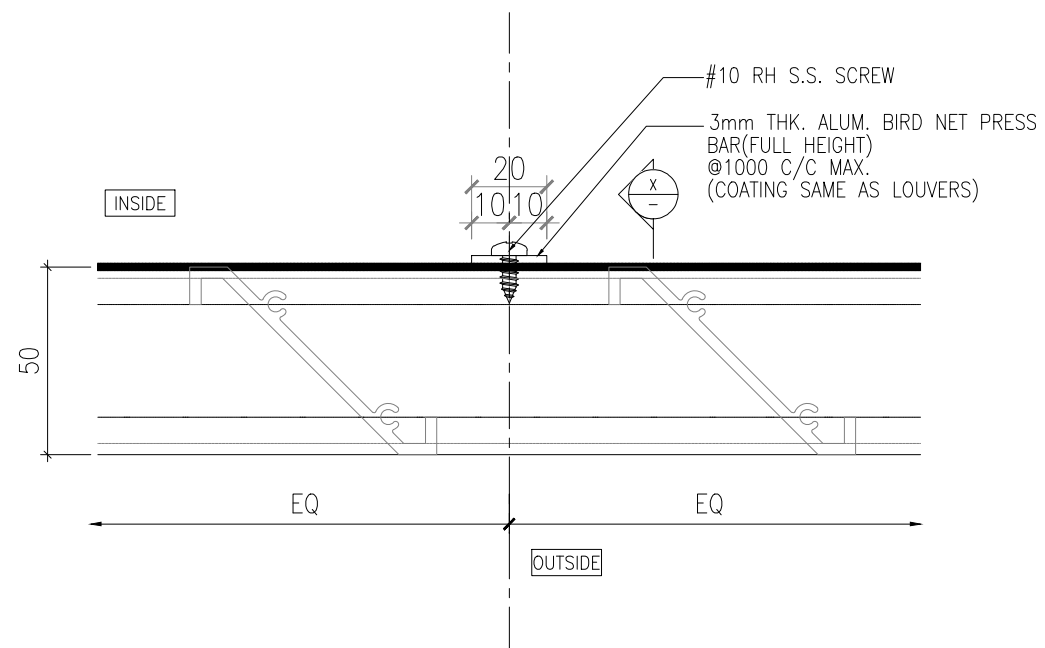
DRAWN BY : IVAN CHECKED BY :

MIDI ALUMINIUM FABRICATOR LTD.
Units 6-8, Sunray Industrial Centre, 1/F
610 Cha Kwo Ling Road, Kowloon
Tel:23489211-4 Fax:(852)2727666

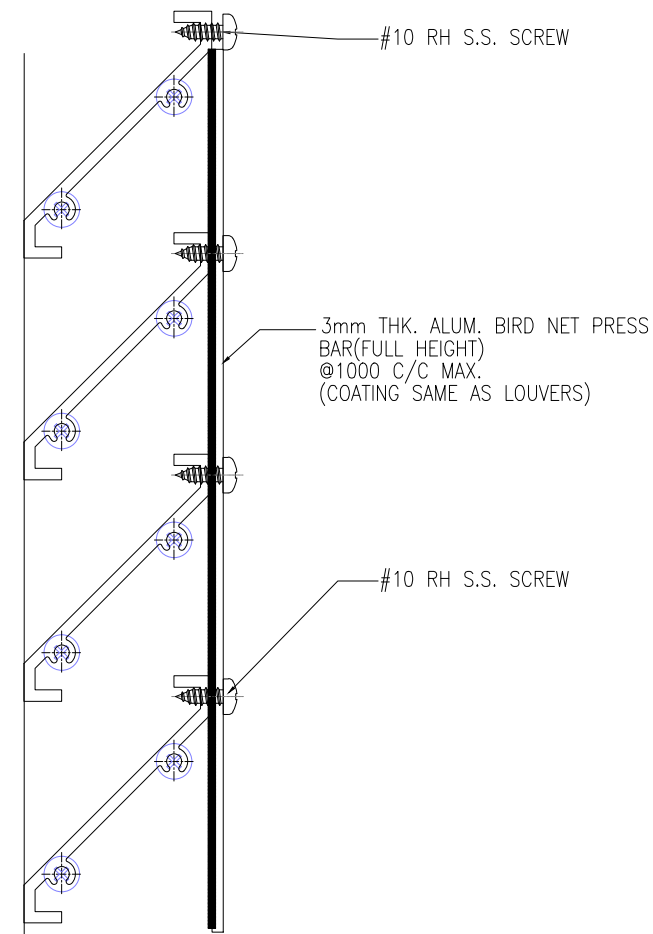
DWG NO. : J861-SD-PW-2004 REV. : B



1 HORIZONTAL DETAIL
50 SECTION



2 HORIZONTAL DETAIL
50 SECTION



X MESH CONNECT DETAIL

B.D. REF :

WONG TUNG & PARTNERS LTD.	
APPROVED	
APPROVED AS NOTED	
APPROVED AS NOTED & RESUBMIT	
RESUBMIT	
NO COMMENT	
REFER OTHER CONSULTANT'S COMMENTS	
Reviewed for compliance with the design intent. Comments made shall apply to all similar conditions & details, not just the ones cited.	
The approval shall not be construed as relieving the contractor for compliance with the contract documents & requirements.	
Reviewed By	Date

CLIENT :
 Pacific Century Premium Developments
 盈科大衍地產發展

ARCHITECT :
 WONG TUNG & PARTNERS LIMITED
 ARCHITECTS & PLANNERS


MAIN CONTRACTOR :
 顯利工程有限公司
 HIEN LEE ENGINEERING CO., LTD.

STRUCTURAL ENGINEER :
 SYW & ASSOCIATES LTD.
 REGISTERED ENGINEERS & AUTHORIZED PERSONS
 鄧賢偉建築工程師

FACADE CONSULTANT:

NOTE :
 1. ALL DIMENSIONS ARE IN mm.
 2. ALL ELEVATIONS ARE VIEWED FROM OUTSIDE.
 3. ALL DIMENSIONS TO BE VERIFIED ON SITE BEFORE FABRICATION.

LEGEND :
 x1 - DETAIL MARK NO.
 x001 - REFER SHEET NO.
 1. F.F.L. -- FINISHED FLOOR LEVEL
 2. S.F.L. -- STRUCTURAL FLOOR LEVEL
 3. (R) -- REVERSED DETAIL
 4. GLASS LEGEND
 TG05 -- 8mmHS LIGHT BLUE TINTED GLASS
 EG01 -- 8mmHS CLEAR GLASS +12A
 +10mmHT CLEAR GLASS (IGU)
 BHS -- 8mmHS CLEAR GLASS

A	01/08/2024	GENERAL REVISION	Ivan
No.	DATE	REVISED	BY

JOB NO. : J-861
 PROJECT : PROPOSED RESIDENTIAL DEVELOPMENT AT NOS. 3-6 GLENEALY, CENTRAL, HONG KONG

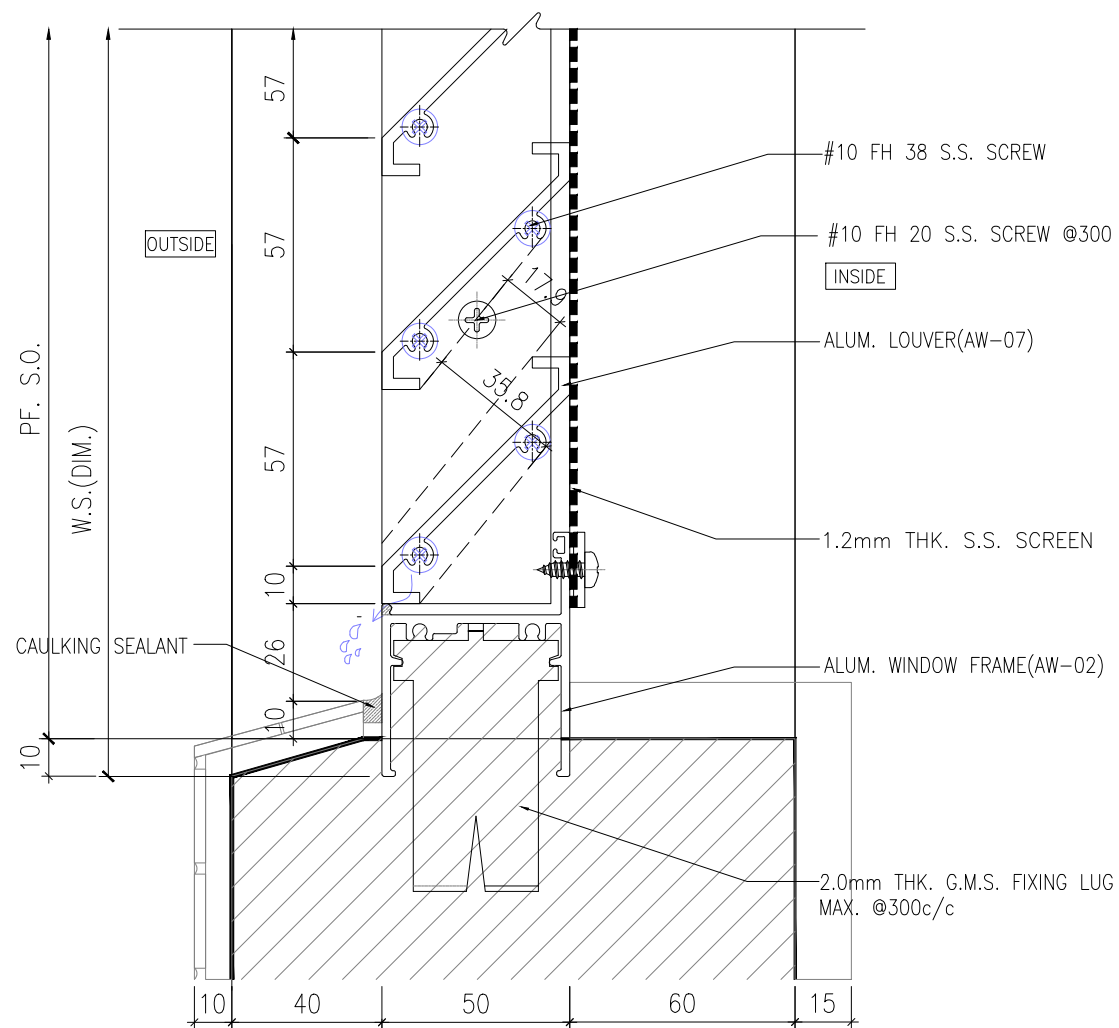
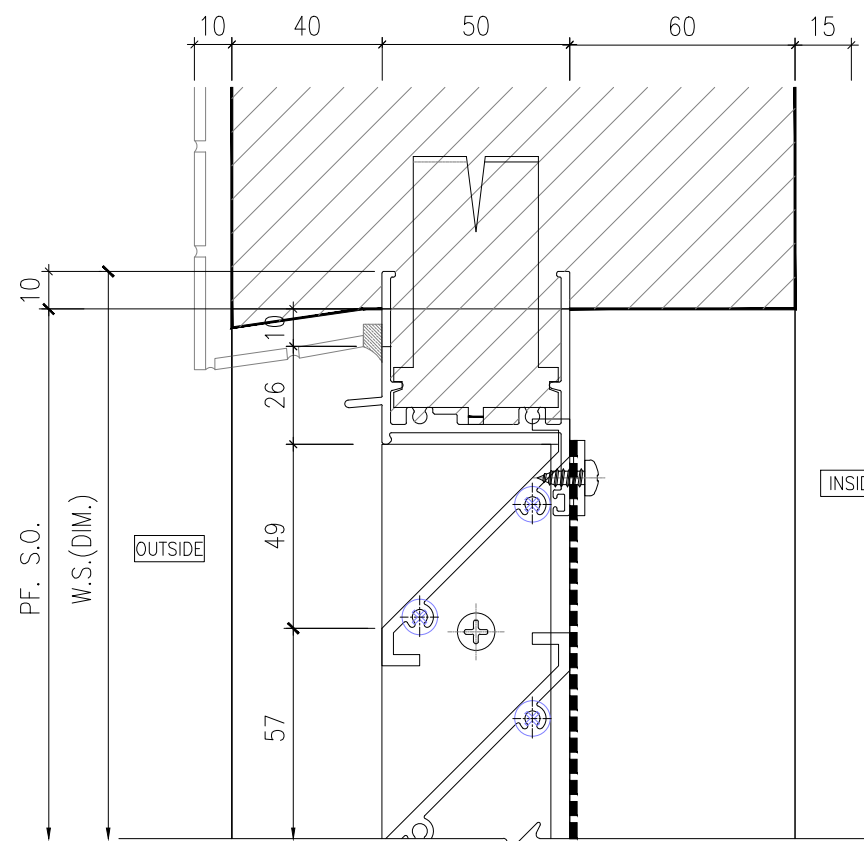
TITLE : TYPICAL DETAILS FOR PRECAST WINDOW

DATE : 26-06-24 SCALE : 1:2 @A3

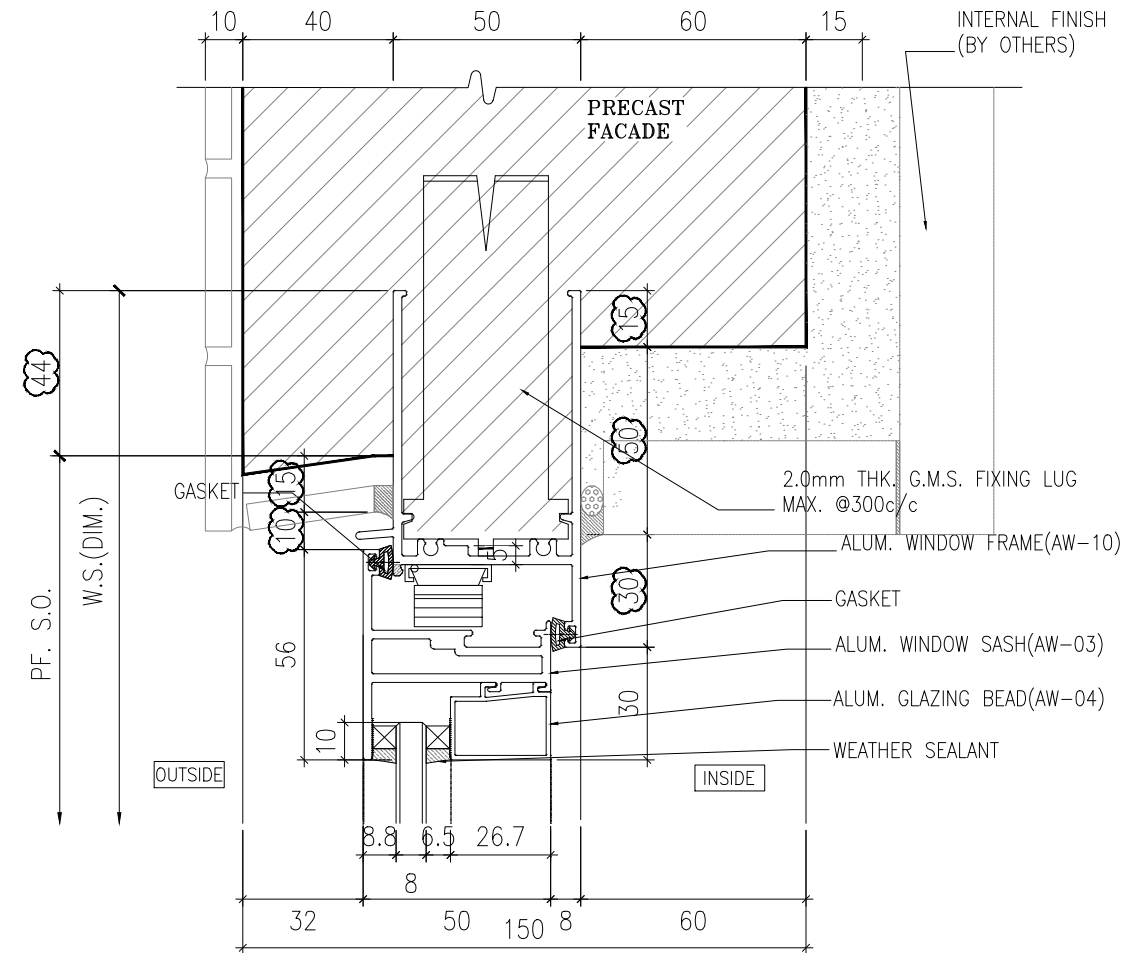
DRAWN BY : IVAN CHECKED BY :

 美特鋁質有限公司
 MIDI ALUMINIUM FABRICATOR LTD.
 Units 6-8, Sunray Industrial Centre, 1/F
 610 Cha Kwo Ling Road, Kowloon
 Tel:23489211-4 Fax:(852)2727666

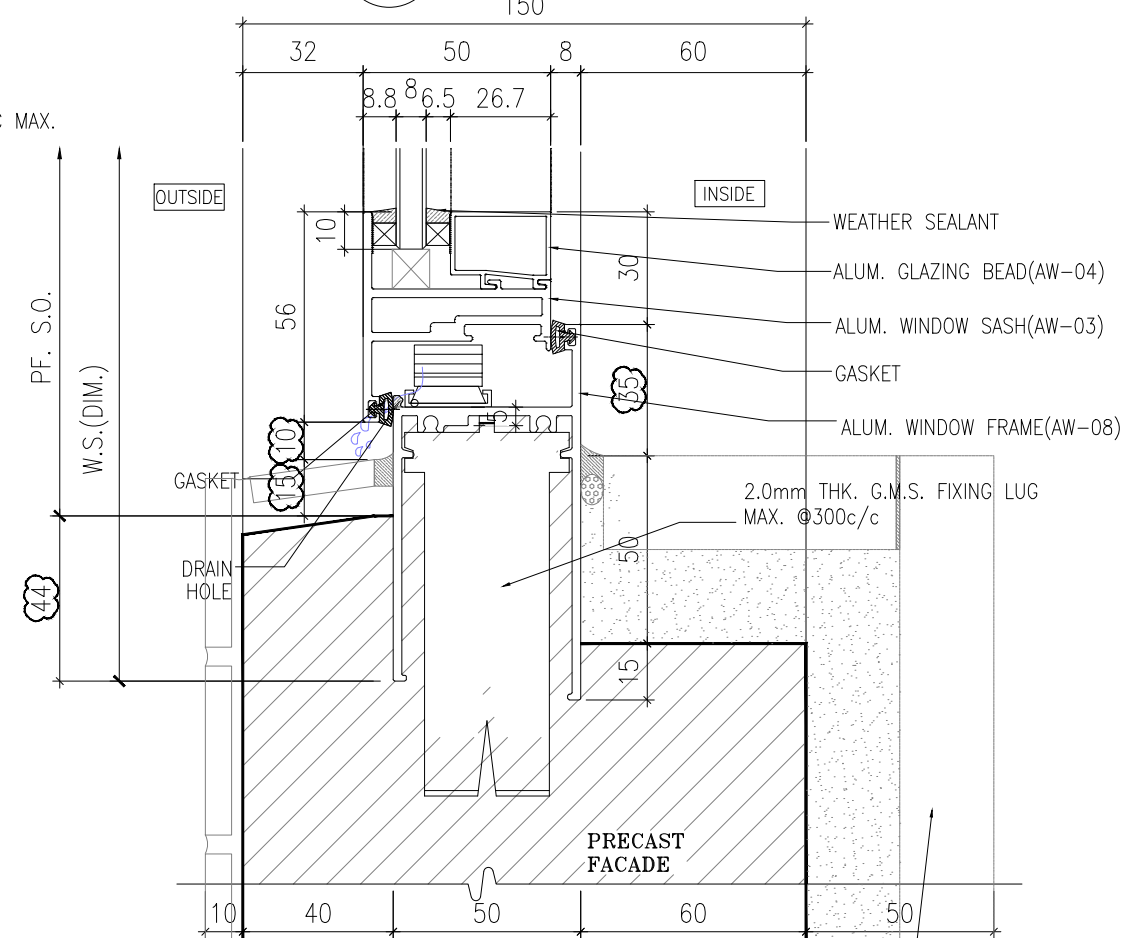
DWG NO. : J861-SD-PW-2005 REV. : A



1 VERTICAL DETAIL
50 SECTION



2 VERTICAL DETAIL
50 SECTION



3 VERTICAL DETAIL
50 SECTION

B.D. REF :

WONG TUNG & PARTNERS LTD.	
APPROVED	
APPROVED AS NOTED	
APPROVED AS NOTED & RESUBMIT	
RESUBMIT	
NO COMMENT	
REFER OTHER CONSULTANT'S COMMENTS	
Reviewed for compliance with the design intent. Comments made shall apply to all similar conditions & details, not just the ones cited.	
The approval shall not be construed as relieving the contractor for compliance with the contract documents & requirements.	
Reviewed By	Date

CLIENT :

Pacific Century
Premium Developments
盈科大衍地產發展

ARCHITECT :

WONG TUNG & PARTNERS LIMITED
ARCHITECTS & PLANNERS

MAIN CONTRACTOR :

顯利工程有限公司
HIEN LEE ENGINEERING CO., LTD.

STRUCTURAL ENGINEER :

SYW & ASSOCIATES LTD.
REGISTERED ENGINEERS & AUTHORIZED PERSONS
鄧賢偉建築工程師

FACADE CONSULTANT:

NOTE :

1. ALL DIMENSIONS ARE IN mm.
2. ALL ELEVATIONS ARE VIEWED FROM OUTSIDE.
3. ALL DIMENSIONS TO BE VERIFIED ON SITE BEFORE FABRICATION.

LEGEND :

x1 - DETAIL MARK NO.
x001 - REFER SHEET NO.

1. F.F.L. -- FINISHED FLOOR LEVEL
2. S.F.L. -- STRUCTURAL FLOOR LEVEL
3. (R) -- REVERSED DETAIL
4. GLASS LEGEND
T005 -- 8mmHS LIGHT BLUE TINTED GLASS
EG01 -- 8mmHS CLEAR GLASS +12A
+10mmHT CLEAR GLASS (GU)
BHS -- 8mmHS CLEAR GLASS

A	01/08/2024	GENERAL REVISION	Ivan
NO.	DATE	REVISED	BY

JOB NO. : J-861

PROJECT : PROPOSED RESIDENTIAL DEVELOPMENT AT NOS. 3-6 GLENEALY, CENTRAL, HONG KONG

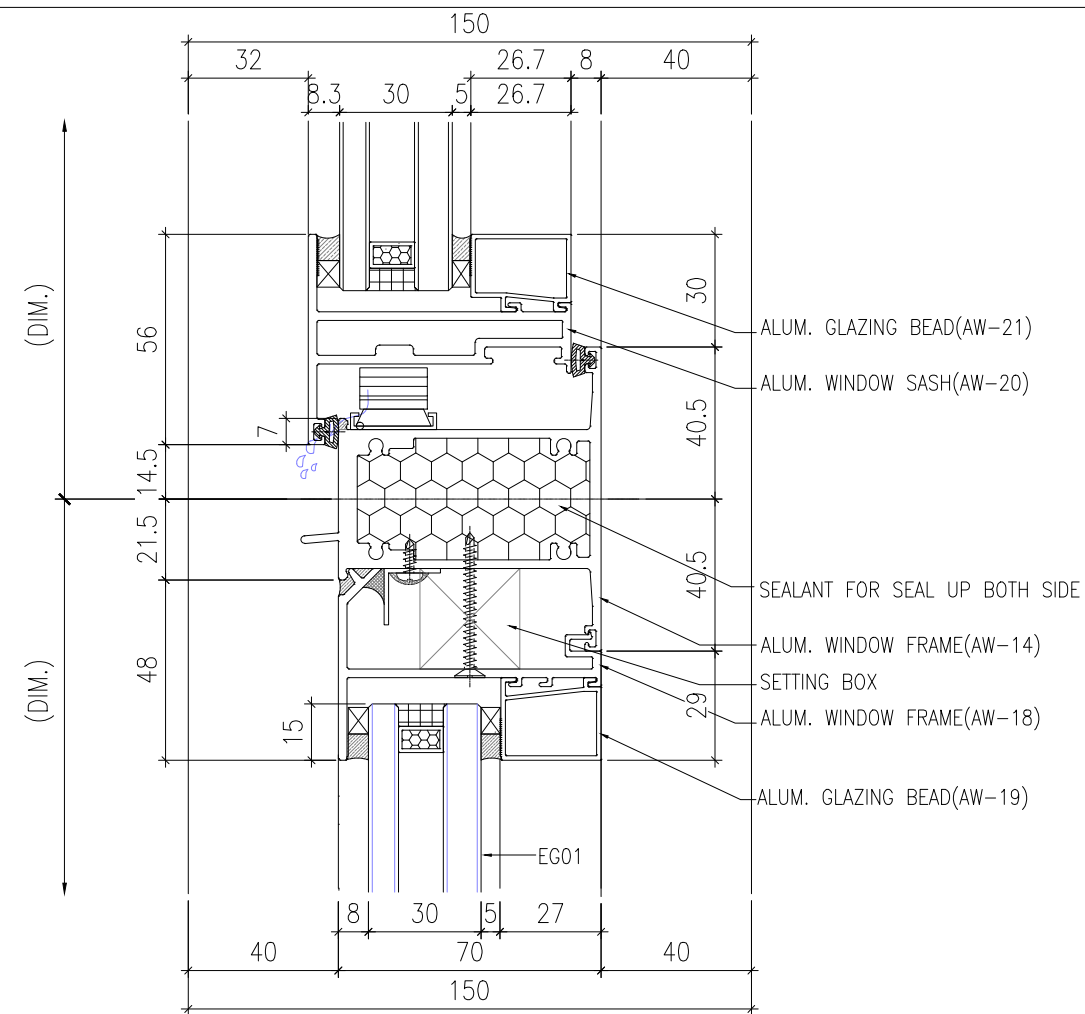
TITLE : TYPICAL DETAILS FOR PRECAST WINDOW

DATE : 26-06-24 SCALE : 1:2 @A3

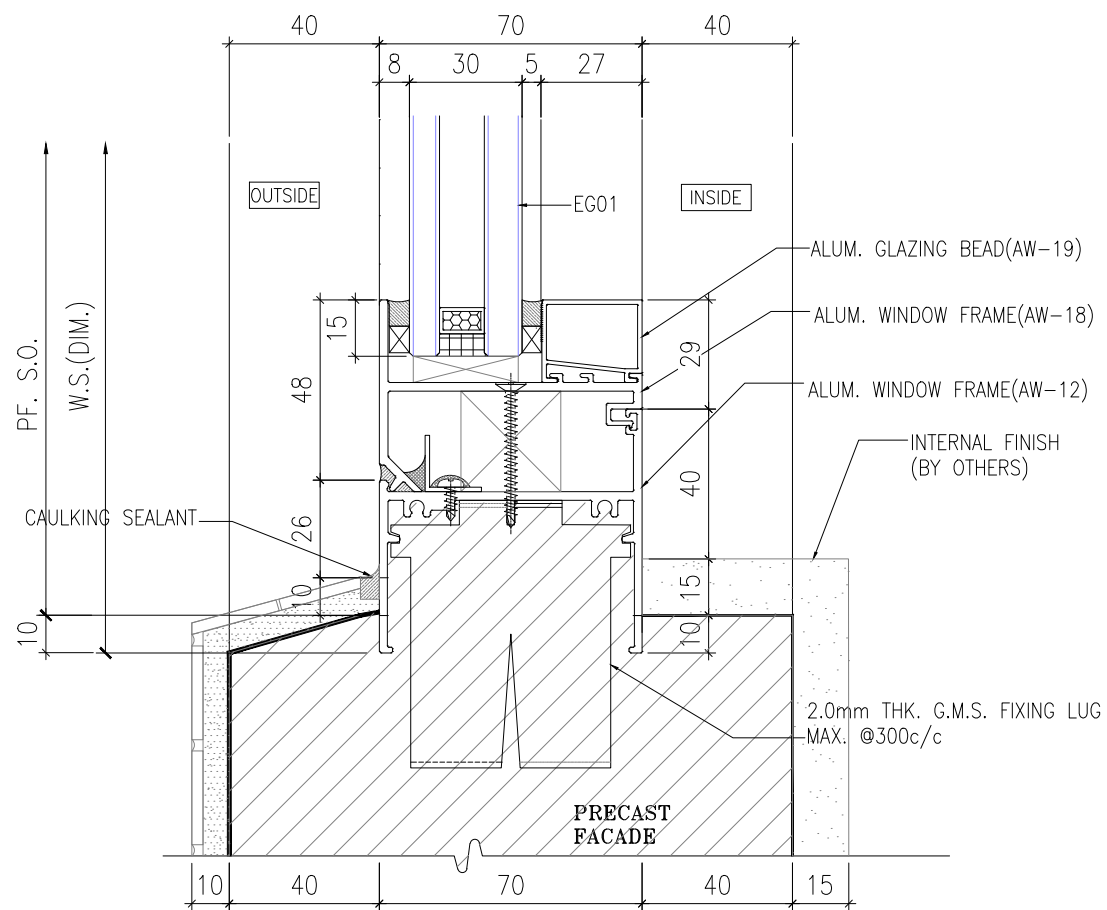
DRAWN BY : IVAN CHECKED BY :

美特鋁質有限公司
MIDI ALUMINIUM FABRICATOR LTD.
Units 6-8, Sunray Industrial Centre, 1/F
610 Cha Kwo Ling Road, Kowloon
Tel:23489211-4 Fax:(852)2727666

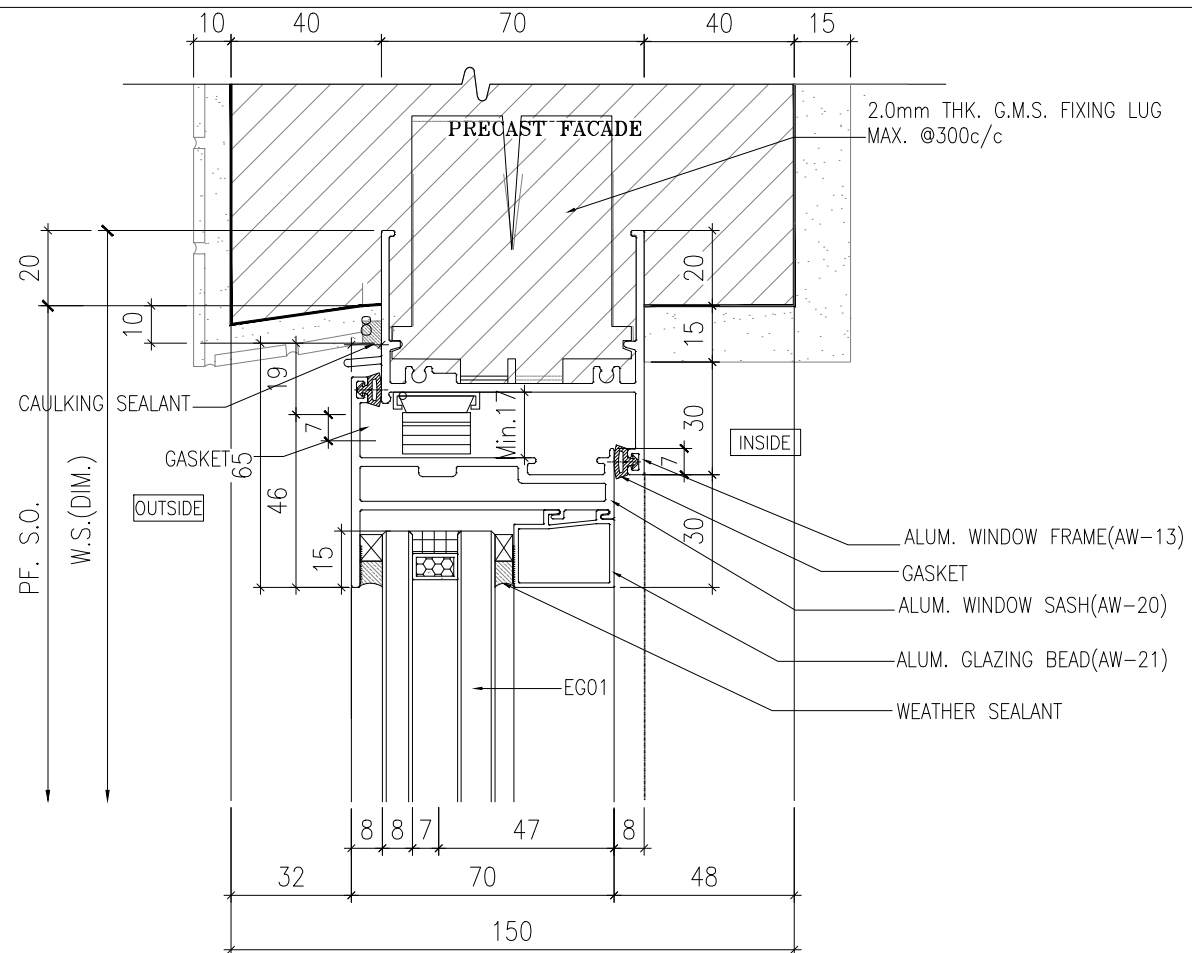
DWG NO. : J861-SD-PW-3002 REV. : A



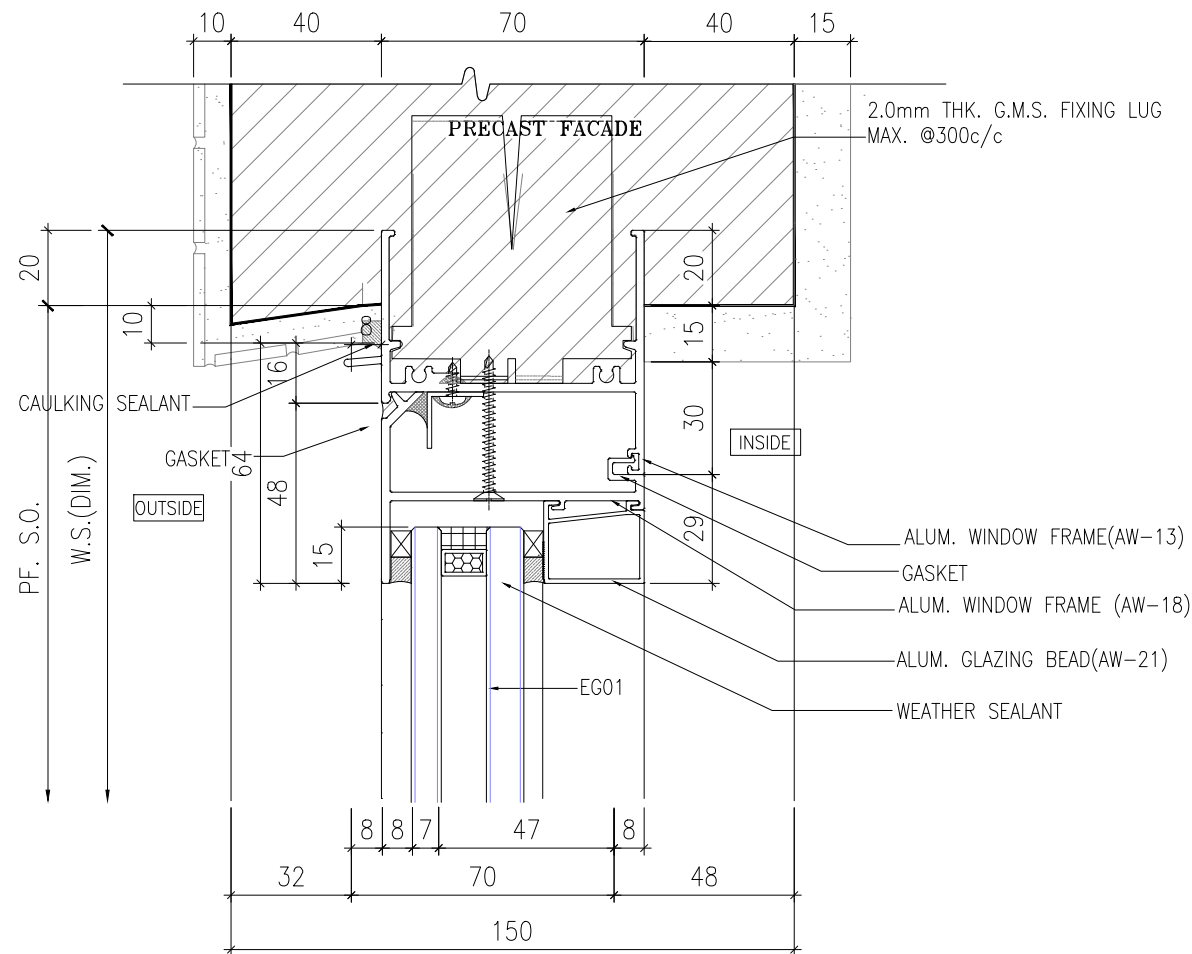
1 VERTICAL DETAIL
70 SECTION



2 VERTICAL DETAIL
70 SECTION



3 VERTICAL DETAIL
70 SECTION



4 VERTICAL DETAIL
70 SECTION

B.D. REF :

WONG TUNG & PARTNERS LTD.	
APPROVED	
APPROVED AS NOTED	
APPROVED AS NOTED & RESUBMIT	
RESUBMIT	
NO COMMENT	
REFER OTHER CONSULTANT'S COMMENTS	
Reviewed for compliance with the design intent. Comments made shall apply to all similar conditions & details, not just the ones cited. The approval shall not be construed as relieving the contractor for compliance with the contract documents & requirements.	
Reviewed By	Date

CLIENT :

Pacific Century
Premium Developments
盈科大衍地產發展

ARCHITECT :

WONG TUNG & PARTNERS LIMITED
ARCHITECTS & PLANNERS

MAIN CONTRACTOR :

顯利工程有限公司
HIEN LEE ENGINEERING CO., LTD.

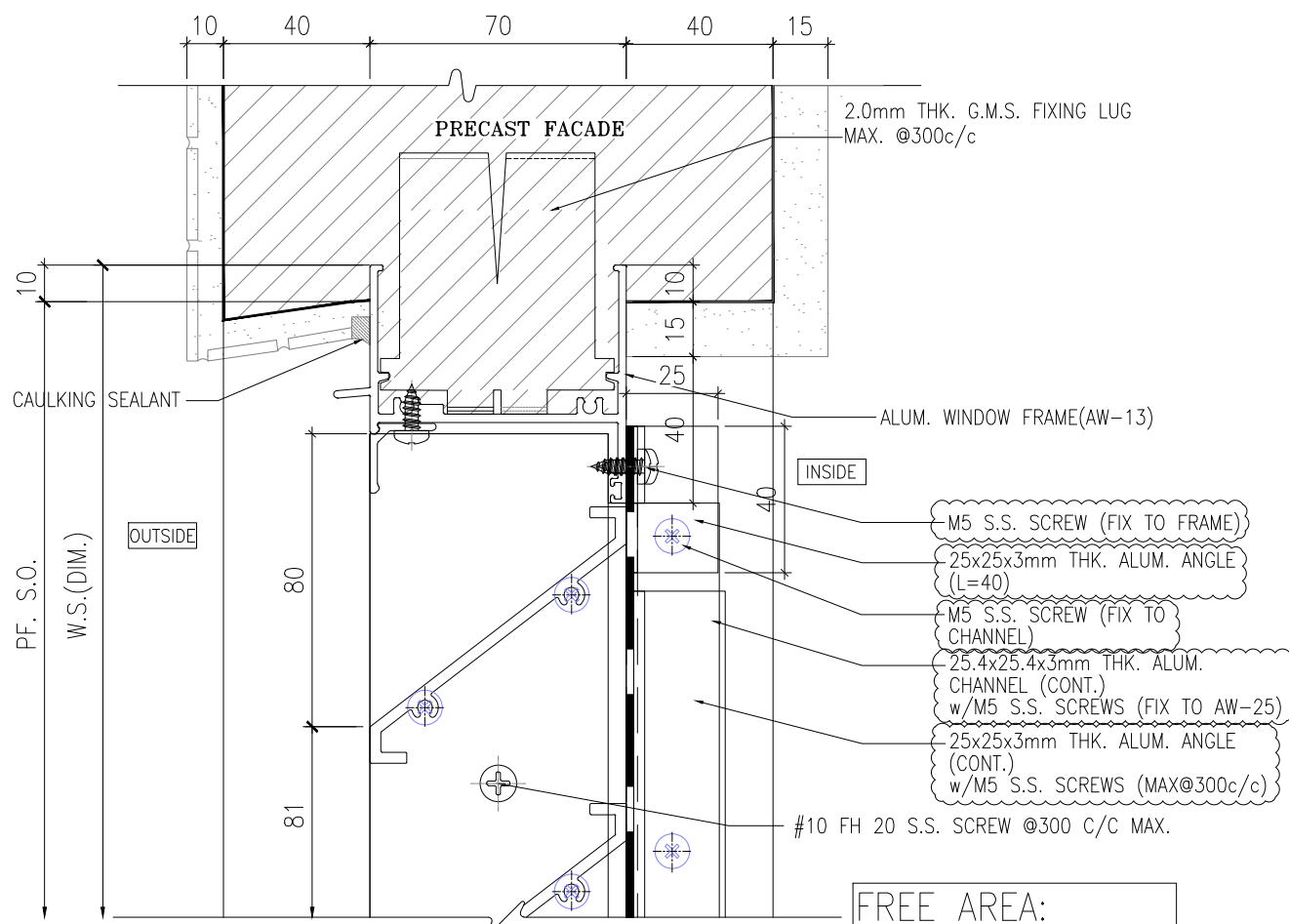
STRUCTURAL ENGINEER :

SYW & ASSOCIATES LTD.
REGISTERED ENGINEERS & AUTHORIZED PERSONS
鄧賢偉建築工程師

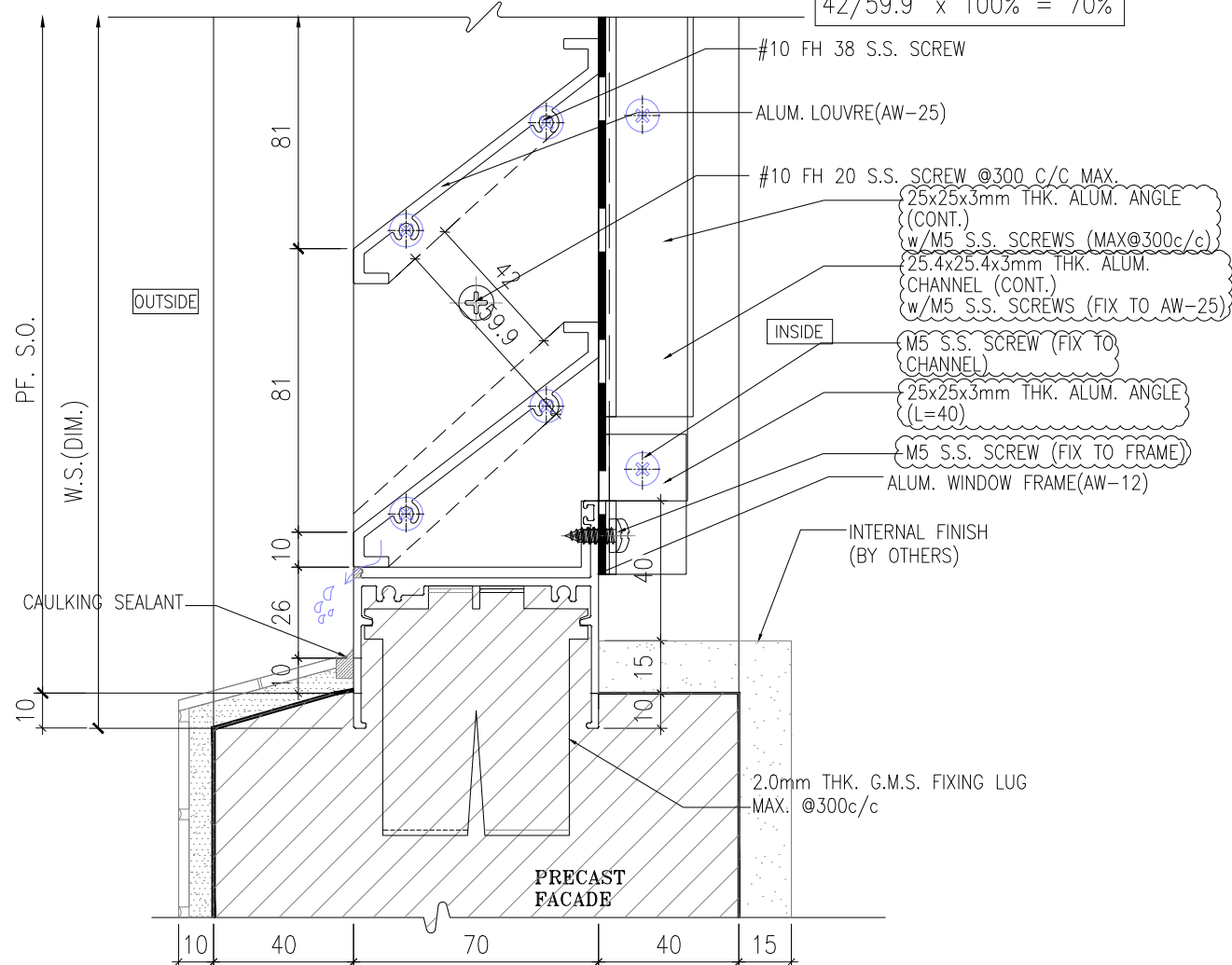
FAÇADE CONSULTANT :

- NOTE :
1. ALL DIMENSIONS ARE IN mm.
 2. ALL ELEVATIONS ARE VIEWED FROM OUTSIDE.
 3. ALL DIMENSIONS TO BE VERIFIED ON SITE BEFORE FABRICATION.
- LEGEND :
- x1 - DETAIL MARK NO.
x001 - REFER SHEET NO.
1. F.F.L. -- FINISHED FLOOR LEVEL
 2. S.F.L. -- STRUCTURAL FLOOR LEVEL
 3. (R) -- REVERSED DETAIL
 4. GLASS LEGEND
T605 -- 8mmHS LIGHT BLUE TINTED GLASS
EG01 -- 8mmHS CLEAR GLASS +12A
+10mmHT CLEAR GLASS (IGU)
BHS -- 8mmHS CLEAR GLASS

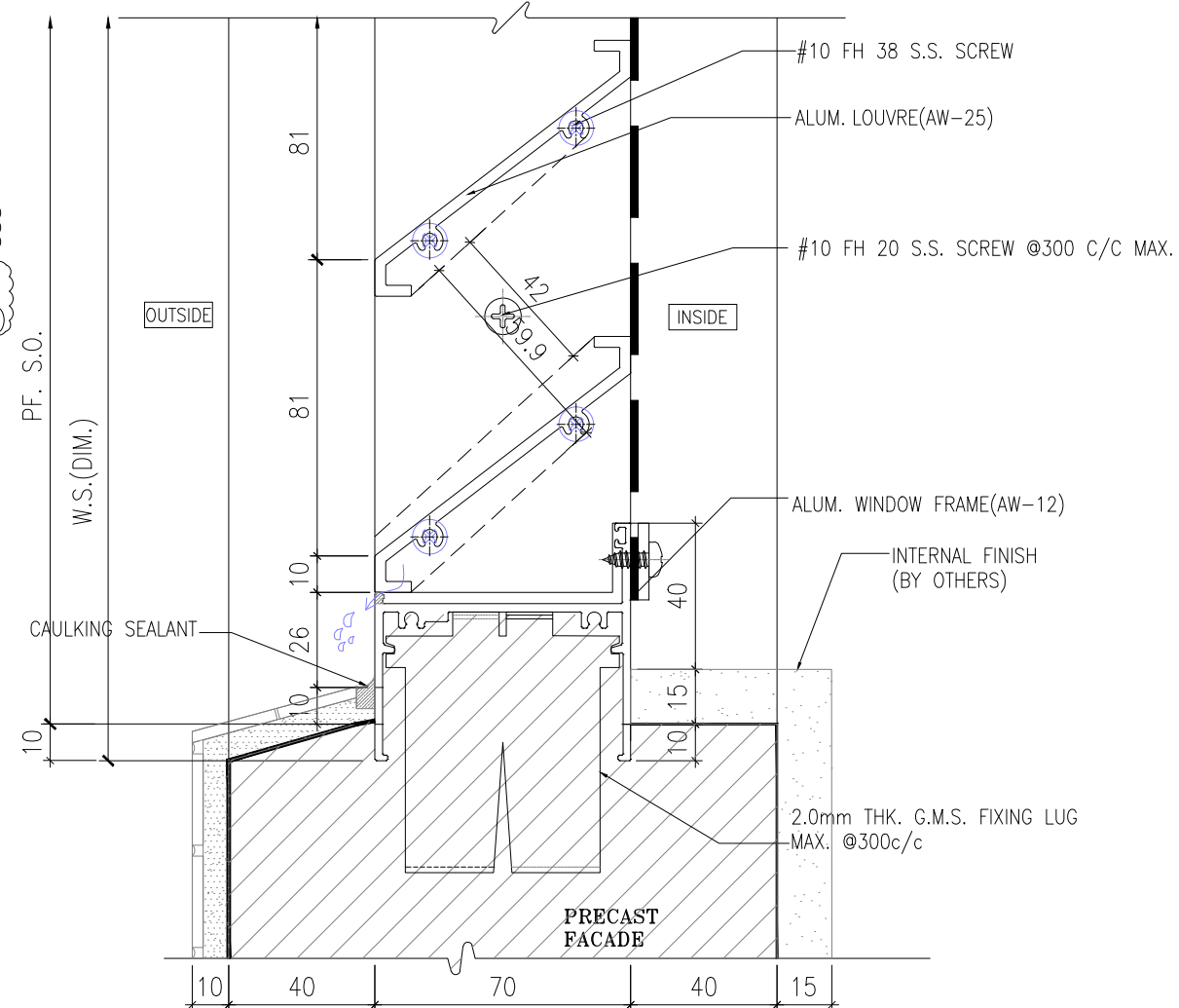
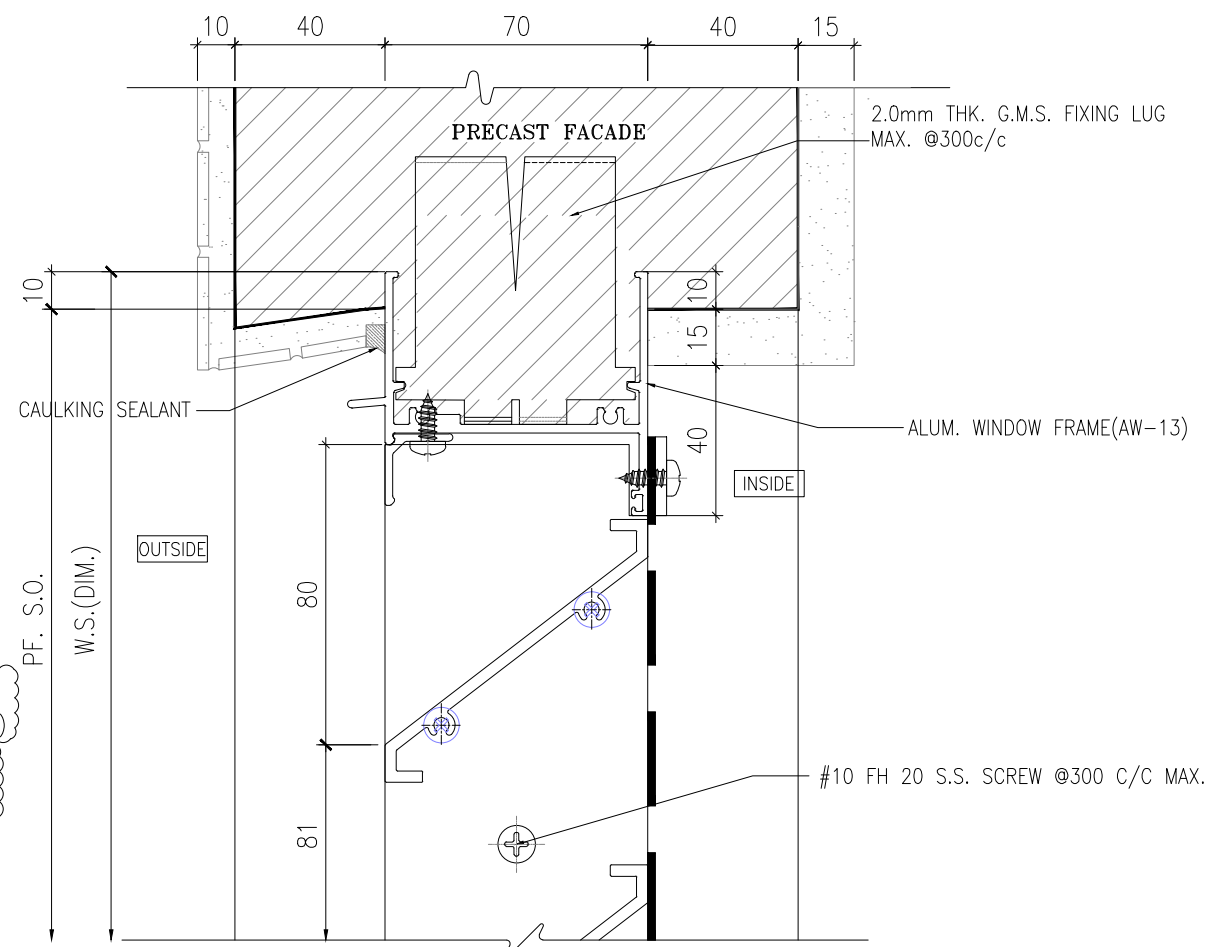
A	01/08/2024	GENERAL REVISION	Ivan
NO.	DATE	REVISED	BY
JOB NO. : J-861			
PROJECT : PROPOSED RESIDENTIAL DEVELOPMENT AT NOS. 3-6 GLENEALY, CENTRAL, HONG KONG			
TITLE : TYPICAL DETAILS FOR PRECAST WINDOW			
DATE : 26-06-24	SCALE : 1:2 @A3		
DRAWN BY : IVAN	CHECKED BY :		
<p>美特鋁質有限公司 MIDI ALUMINIUM FABRICATOR LTD. Units 6-8, Sunray Industrial Centre, 1/F 610 Cha Kwo Ling Road, Kowloon Tel:23489211-4 Fax:(852)2727666</p>			
DWG NO. : J861-SD-PW-3003	REV. : A		



FREE AREA:
42/59.9 x 100% = 70%



1 VERTICAL DETAIL
70 SECTION



2 VERTICAL DETAIL
70 SECTION

B.D. REF :

WONG TUNG & PARTNERS LTD.	
APPROVED	
APPROVED AS NOTED	
APPROVED AS NOTED & RESUBMIT	
RESUBMIT	
NO COMMENT	
REFER OTHER CONSULTANT'S COMMENTS	
Reviewed for compliance with the design intent. Comments made shall apply to all similar conditions & details, not just the ones cited.	
The approval shall not be construed as relieving the contractor for compliance with the contract documents & requirements.	
Reviewed By	Date

CLIENT :

Pacific Century
Premium Developments
盈科大衍地產發展

ARCHITECT :

WONG TUNG & PARTNERS LIMITED
ARCHITECTS & PLANNERS

MAIN CONTRACTOR :

顯利工程有限公司
HIEN LEE ENGINEERING CO., LTD.

STRUCTURAL ENGINEER :

SYW & ASSOCIATES LTD.
REGISTERED ENGINEERS & AUTHORIZED PERSONS
邵賢偉建築工程師

FACADE CONSULTANT:

- NOTE :
1. ALL DIMENSIONS ARE IN mm.
 2. ALL ELEVATIONS ARE VIEWED FROM OUTSIDE.
 3. ALL DIMENSIONS TO BE VERIFIED ON SITE BEFORE FABRICATION.
- LEGEND :
- x1 - DETAIL MARK NO.
x001 - REFER SHEET NO.
1. F.F.L. -- FINISHED FLOOR LEVEL
 2. S.F.L. -- STRUCTURAL FLOOR LEVEL
 3. (R) -- REVERSED DETAIL
 4. GLASS LEGEND
T005--8mmHS LIGHT BLUE TINTED GLASS
EG01--8mmHS CLEAR GLASS +12A
+10mmHT CLEAR GLASS (IGU)
BHS--8mmHS CLEAR GLASS

B	16/09/2024	GENERAL REVISION	MN
A	01/08/2024	GENERAL REVISION	Ivan
No.	DATE	REVISED	BY

JOB NO. : J-861

PROJECT : PROPOSED RESIDENTIAL DEVELOPMENT AT NOS. 3-6 GLENEALY, CENTRAL, HONG KONG

TITLE : TYPICAL DETAILS FOR PRECAST WINDOW

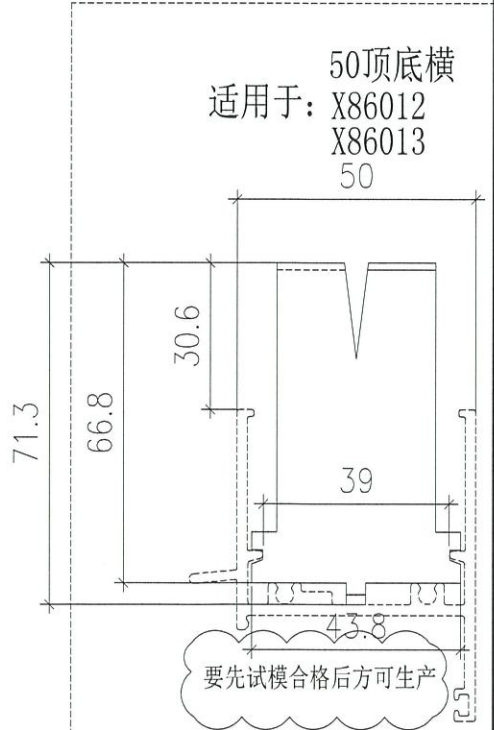
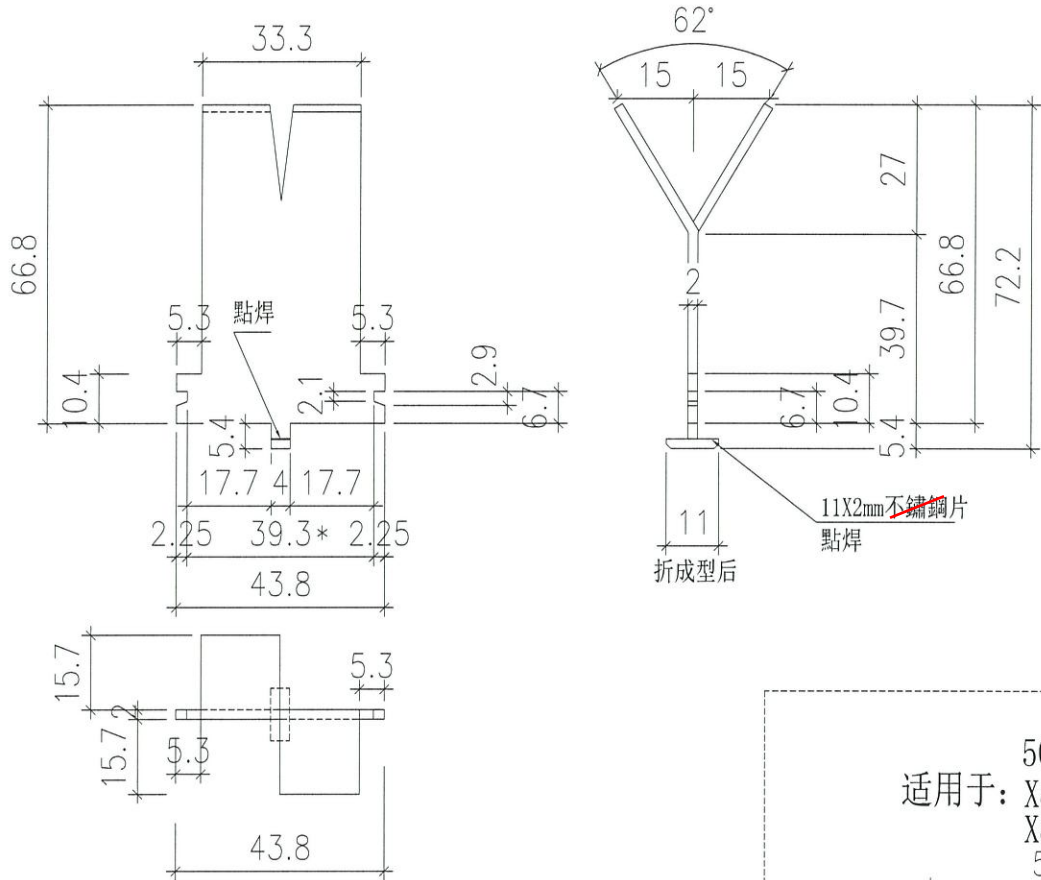
DATE : 26-06-24	SCALE : 1:2 @A3
DRAWN BY : IVAN	CHECKED BY :

美特鋁質有限公司
MIDI ALUMINIUM FABRICATOR LTD.
Units 6-8, Sunray Industrial Centre, 1/F
610 Cha Kwo Ling Road, Kowloon
Tel:23489211-4 Fax:(852)2727666

DWG NO. : J861-SD-PW-3005 REV. : B

 美特鋁質有限公司 MIDI Aluminium Fabricator Ltd.						類別		物料號	—		
修改						制圖	興? 傑	2022-09-17	圖號	J859-MR50-1	
日期	A	B	C	D	E	復核	—	—	供應商	—	
日期	2022.11.03	2022.11.17	2022.11.22	2022.11.23	2022.12.08	批准			描圖		

美特鋁質有限公司
 承認圖面 
 日期 19/12/2022

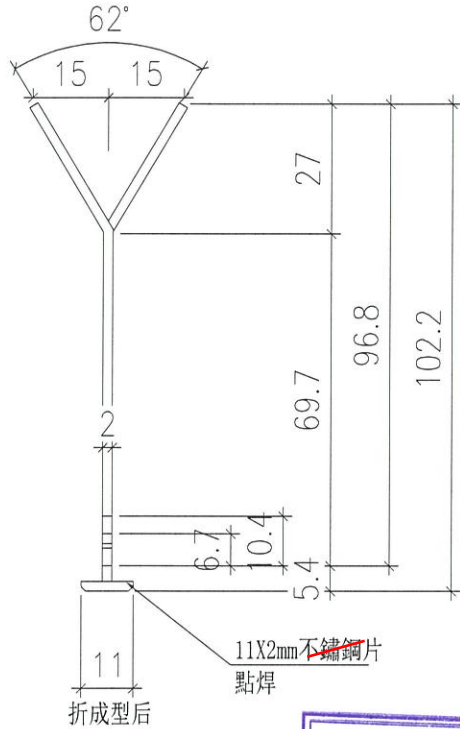
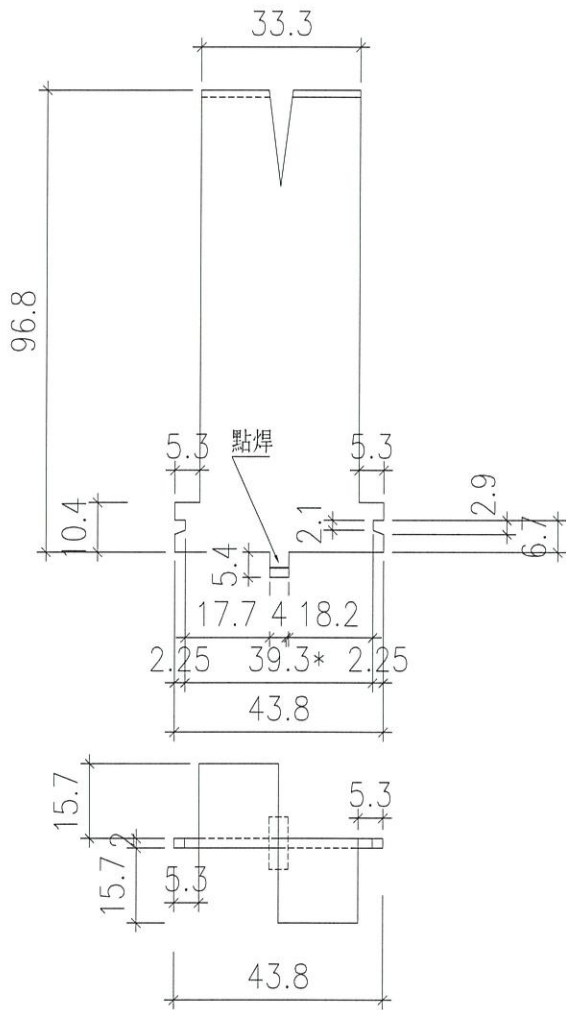


注：帶“*”號為重要尺寸

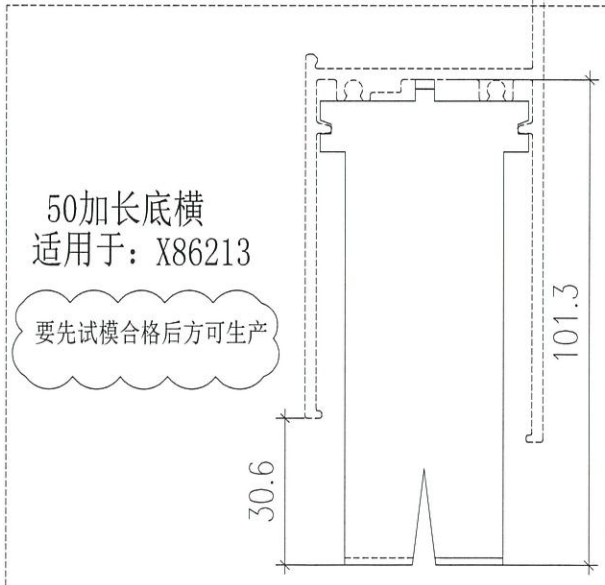
工程號	J-859	地盤	?	齋	附 件	
名稱	50窗頂底不鏽鋼磨耳			採		用
材料	2mm (304) G.M.S			地盤		✓
顏色	—			工廠		

EG-DWG4

 美特鋁質有限公司 MIDI Aluminium Fabricator Ltd.						類別		物料號	—	
修改	A	B	C	D	E	制圖	興? 傑	2022-09-17	圖號	J859-MR50-2
日期	2022.11.03	2022.11.17	2022.11.22	2022.11.23	2022.12.08	復核	—	—	供應商	—
						批准			描圖	



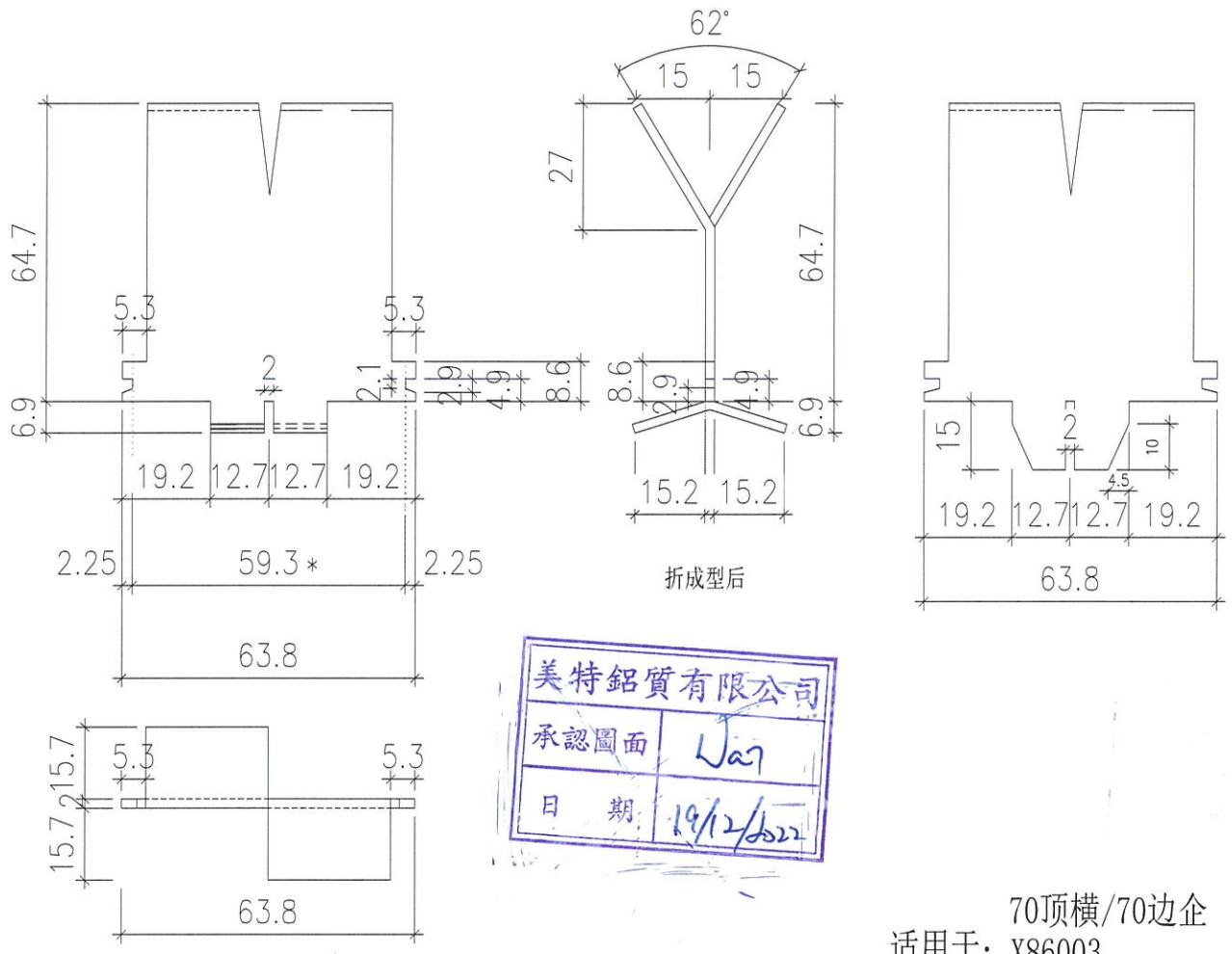
美特鋁質有限公司
 承認圖面 *Wsi*
 日期 19/12/2022



注：帶“*”號為重要尺寸

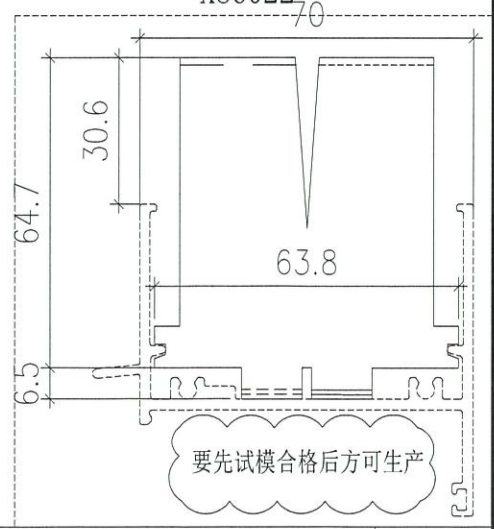
工程號	J-859	地盤	?	齋	附 件			
名稱	50預制窗磨耳加工圖			採		用		
材料	2mm(304) G.M.S			地盤		✓		
顏色	—			工廠				

 美特鋁質有限公司 MIDI Aluminium Fabricator Ltd.					類別		物料號	—	
修改	A	B	C	D	制圖	興? 傑	2022-09-17	圖號	J859-MR70-1
日期	2022.11.03	2022.11.17	2022.11.22	2022.12.12	復核	—	—	供應商	—
					批准			描圖	



美特鋁質有限公司
 承認圖面 *Ua7*
 日期 *19/12/2022*

70頂橫/70邊企
 适用于: X86003
 X86014
 X86022



注：帶“*”號為重要尺寸

工程號	J-859	地盤	?	齋	附 件		
名稱	50預制窗磨耳加工圖			採用			
材料	2mm(304) G.M.S			地盤		✓	
顏色	—			工廠			