



工程指示 / 要求簡箋 ENGINEER INSTRUCTIONS(E.I.)

工程指示編號:	EI- 8219	修改版本:	G
	HK- 1740		
工程編號:	J 861	工程名稱:	己連拿利
收件人:	生統	發件人:	細佬
工程項目:	做樣板窗	日期:	24/09/2024

<input type="checkbox"/> 原合約工程包	<input type="checkbox"/> 原合約工程加 / 減賬 QT-	<input type="checkbox"/> 新工程報價 QT-
---------------------------------	--	------------------------------------

信件批核號碼/圖紙參考編號:	批核模具圖紙編號:
客戶指示附件:	管理內部批簽署:

<input type="checkbox"/> 初步鋁料 B.M.	<input type="checkbox"/> 加工拆圖, 然後生產	<input type="checkbox"/> 尺寸表
<input type="checkbox"/> 正式鋁料 B.M.	<input type="checkbox"/> 技術上資料/指示	<input type="checkbox"/> 報價
<input type="checkbox"/> 配件 B.M.	<input type="checkbox"/> 樣辦或貨品說明書	<input type="checkbox"/> 分判合約
<input type="checkbox"/> 其他:		

內容: 給技術部: 附頁紅圈的窗要做樣板窗,窗號T/W-04aR 數量1幅, T/W-04 數量1幅 (留意要跟圖的開窗方向) 要有配件(拉手和扇撐等),請制作加工圖 由於急用,用舊工程的倉存加工 備注:用舊工程的顏色鋁料加工,然後送香港由師傅強噴成正確的顏色 <b>是送鴻輝廠用,所以要安排舊工程的倉存鋁料先送去噴色後加工</b>
完成上列要求日期: 25/09/2024

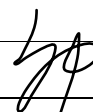
國內

<input type="checkbox"/> 生產技術總監	<input type="checkbox"/> 連附件	<input checked="" type="checkbox"/> 技術部	<input checked="" type="checkbox"/> 連附件	<input type="checkbox"/> 生產部	<input type="checkbox"/> 連附件
<input type="checkbox"/> 採購部	<input type="checkbox"/> 連附件	<input type="checkbox"/> 生產統籌部	<input type="checkbox"/> 連附件	<input type="checkbox"/> 報關組	<input type="checkbox"/> 連附件
<input type="checkbox"/> 質檢部	<input type="checkbox"/> 連附件	<input type="checkbox"/> 會計部	<input type="checkbox"/> 連附件	<input type="checkbox"/> 機械設計部	<input type="checkbox"/> 連附件
<input type="checkbox"/> 香港辦	<input type="checkbox"/> 連附件	<input type="checkbox"/> 其他:			

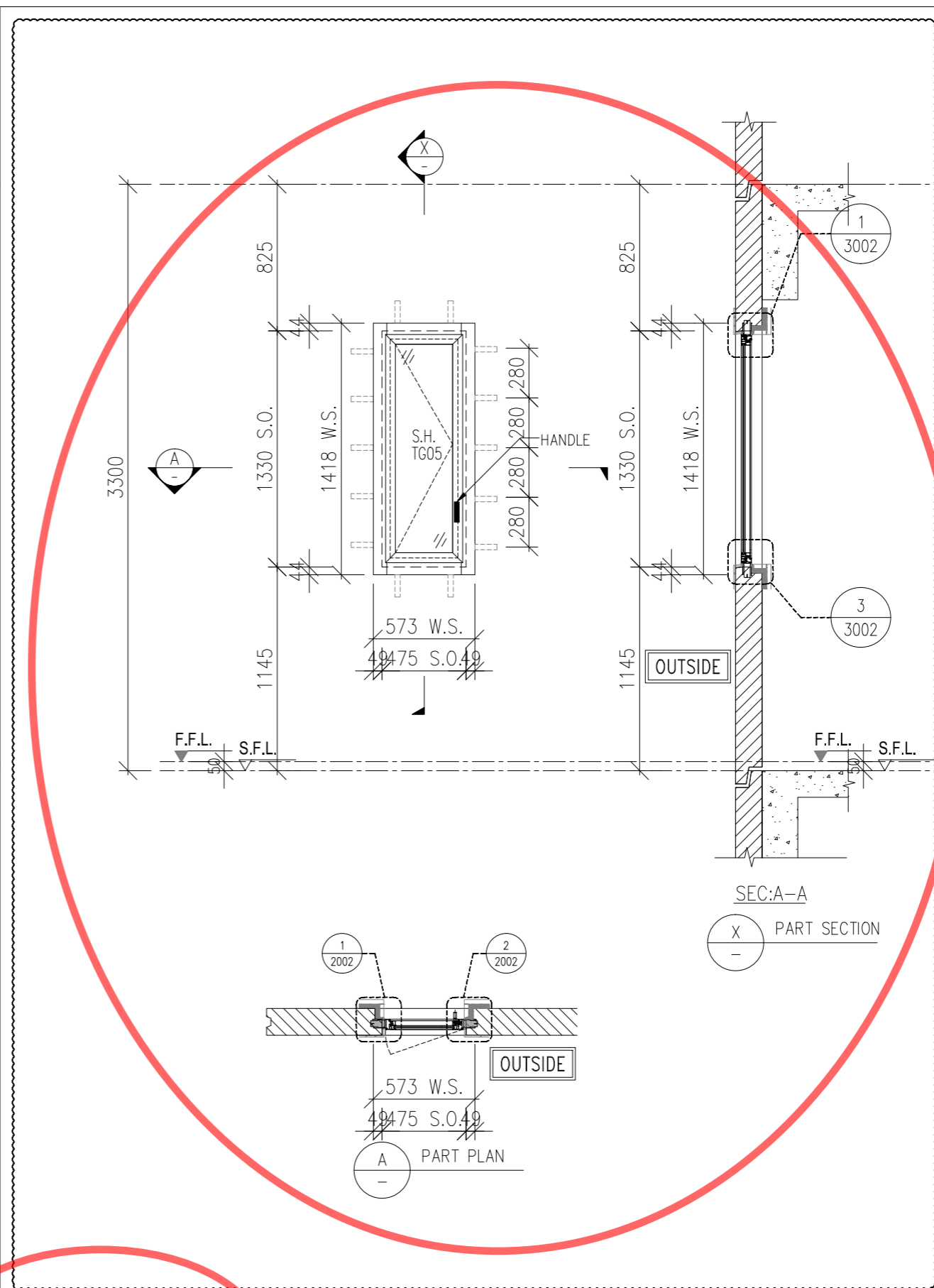
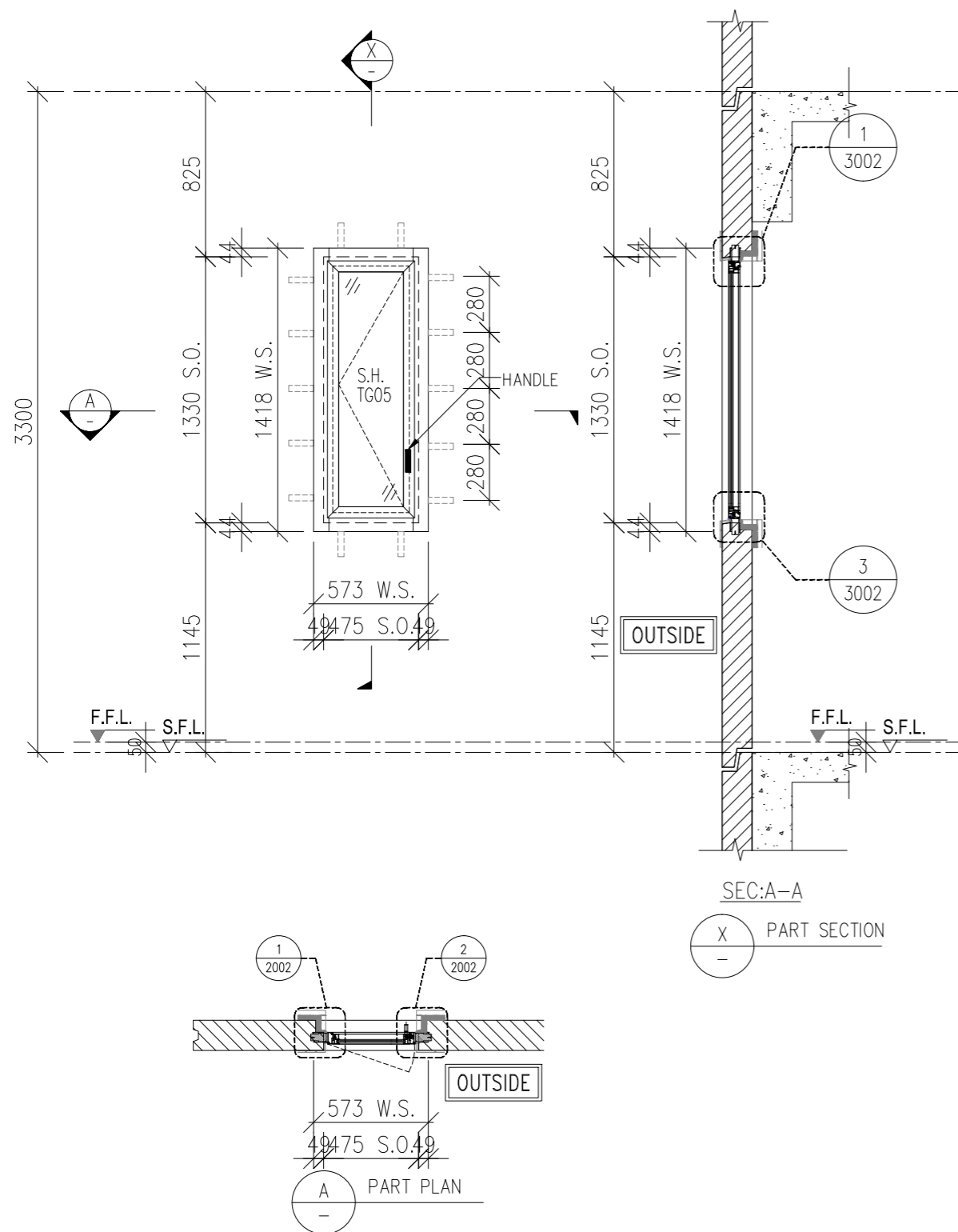
香港

<input type="checkbox"/> 行政部	<input type="checkbox"/> 連附件	<input type="checkbox"/> 會計部	<input type="checkbox"/> 連附件	<input type="checkbox"/> 統籌部	<input type="checkbox"/> 連附件	<input type="checkbox"/> 工程部	<input type="checkbox"/> 連附件
<input type="checkbox"/> 採購部	<input type="checkbox"/> 連附件	<input type="checkbox"/> QS部	<input type="checkbox"/> 連附件	<input type="checkbox"/> 地盤管理	<input type="checkbox"/> 連附件	<input type="checkbox"/> 維修部	<input type="checkbox"/> 連附件

*發件人簽署: 傳遞編號: HK-1740	*組別成員批核簽署: 項目經理簽署:
--------------------------	-----------------------



REQUIRE		PROVIDED	
OPENABLE AREA	GLAZING AREA	OPENABLE AREA	GLAZING AREA
0.333	—	0.470	0.379



WINDOW MARK	9 nos.
LOCATION	(FLAT D) BATH AT 3/F TO 12/F
GLAZING	TG05
WINDOW FRAME	50mm ALUM. WINDOW SECTION , 4 BAR HINGE

REVERSE WINOW 9 nos.
(FLAT A) BATH AT 3/F TO 12/F

B.D. REF :

WONG TUNG & PARTNERS LTD.	
APPROVED	
APPROVED AS NOTED	
APPROVED AS NOTED & RESUBMIT	
RESUBMIT	
NO COMMENT	
REFER OTHER CONSULTANT'S COMMENTS	
Reviewed for compliance with the design intent. Comments made shall apply to all similar conditions & details, not just the ones cited. The approval shall not be construed as relieving the contractor for compliance with the contract documents & requirements.	
Reviewed By	Date

CLIENT :

Pacific Century Premium Developments  
盈科大衍地產發展

ARCHITECT :

WONG TUNG & PARTNERS LIMITED  
ARCHITECTS & PLANNERS

MAIN CONTRACTOR :

顯利工程有限公司  
HIEN LEE ENGINEERING CO., LTD.

STRUCTURAL ENGINEER :

SYW & ASSOCIATES LTD.  
REGISTERED ENGINEERS & AUTHORIZED PERSONS  
鄧賢偉建築工程師

FAÇADE CONSULTANT:

- NOTE :
- ALL DIMENSIONS ARE IN mm.
  - ALL ELEVATIONS ARE VIEWED FROM OUTSIDE.
  - ALL DIMENSIONS TO BE VERIFIED ON SITE BEFORE FABRICATION.
- LEGEND :
- x1 -- DETAIL MARK NO.
  - x001 -- REFER SHEET NO.
  - 1. F.F.L. -- FINISHED FLOOR LEVEL
  - 2. S.F.L. -- STRUCTURAL FLOOR LEVEL
  - 3. (R) -- REVERSED DETAIL
  - 4. F. -- FIXED WINDOW
  - 4. SH. -- TOP HUNG WINDOW
  - 5. --- -- LOUVER
  - 6. GLASS LEGEND
- TG01A1--SOUTH-EAST FAÇADE: LOW-E IGU-YKED160J (#2)  
8mmHS CLEAR GLASS+12A+10mmT CLEAR GLASS
- TG01A2--SOUTH-EAST FAÇADE: LOW-E IGU-YKED160J (#2)  
8mmHS CLEAR GLASS+12A+8mmT CLEAR GLASS
- TG03--10mmT LIGHT GREY TINTED GLASS
- TG04--8mmHS LIGHT GREY TINTED GLASS
- TG05--8mmHS LIGHT GREY TINTED FROSTED GLASS

	GLAZING AREA
	OPENABLE AREA

A	26/08/2024	REVISION SUBJECT TO ARCH.COMMENT	MM
NO.	DATE	REVISED	BY

JOB NO. : J-861

PROJECT : PROPOSED RESIDENTIAL DEVELOPMENT AT NOS. 3-6 GLENEALY, CENTRAL, HONG KONG

TITLE : WINDOW SCHEDULE FOR PRECAST WINDOW

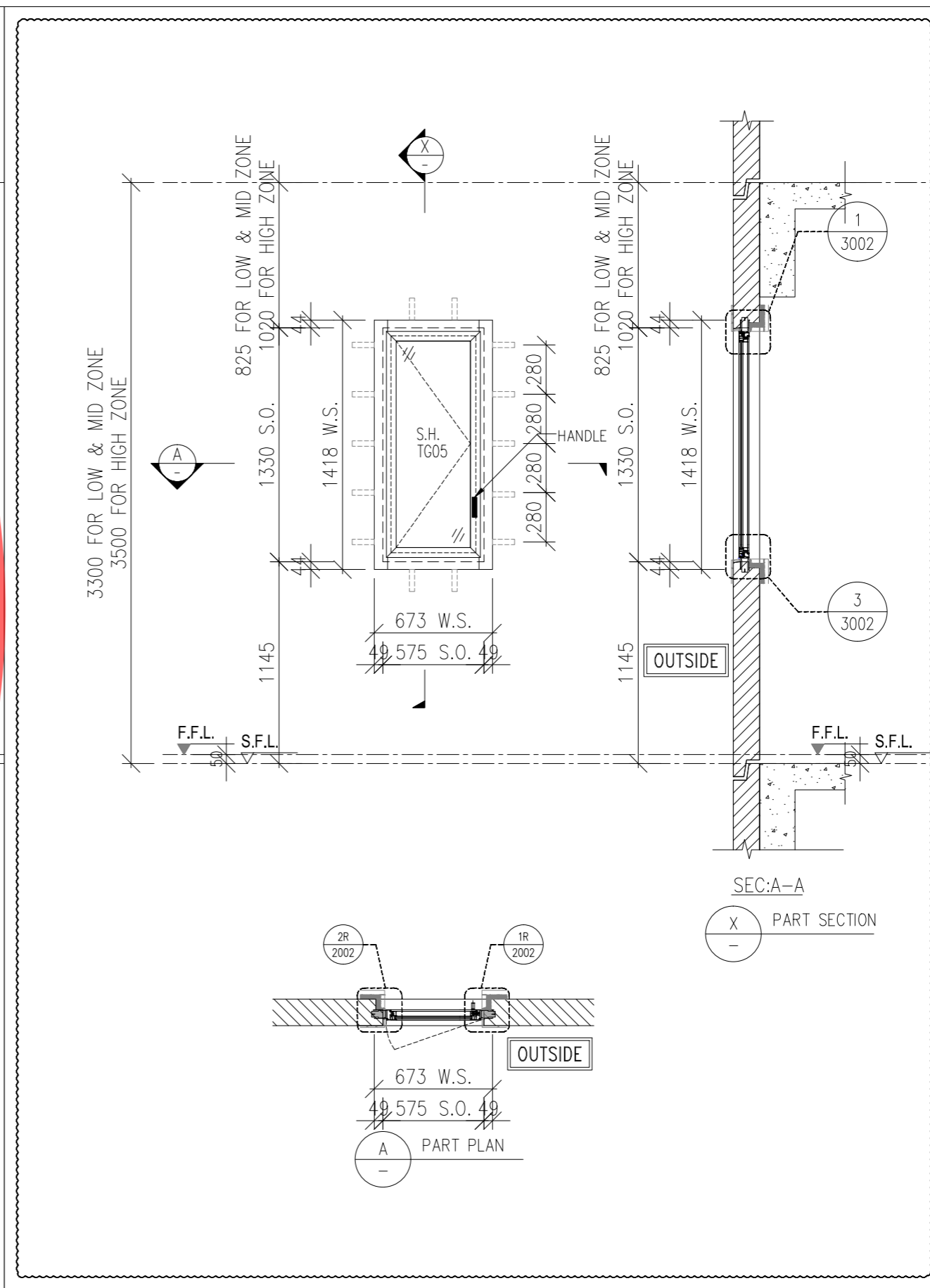
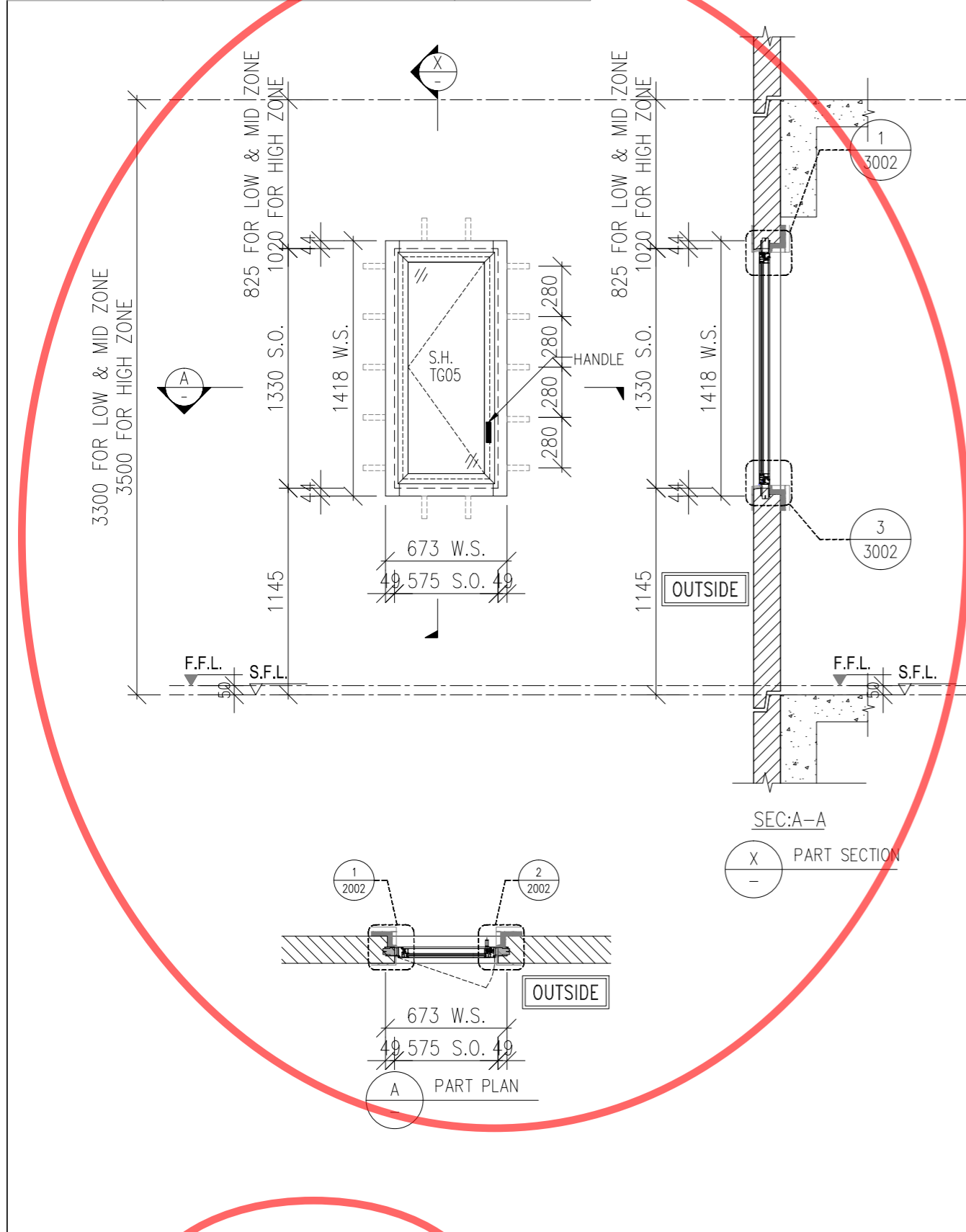
DATE : 26-06-24 SCALE : 1:30 @A3

DRAWN BY : IVAN CHECKED BY :

美特鋁質有限公司  
MIDI ALUMINIUM FABRICATOR LTD.  
Units 6-8, Sunray Industrial Centre, 1/F  
610 Cha Kwo Ling Road, Kowloon  
Tel:23489211-4 Fax:(852)2727666

DWG NO. : J861-SD-PW-1002 REV. : B

REQUIRE		PROVIDED	
OPENABLE AREA	GLAZING AREA	OPENABLE AREA	GLAZING AREA
0.461	—	0.593	0.496



WINDOW MARK	25 nos.
LOCATION	(FLAT A M.BATH AT 2/F, 3/F TO 12/F) (FLAT A M.BATH AT 15/F TO 31/F)
GLAZING	TG05
WINDOW FRAME	50mm ALUM. WINDOW SECTION , 4 BAR HINGE

REVERSE WINOW	25 nos.
(FLAT D M.BATH AT 2/F, 3/F TO 12/F) (FLAT C M.BATH AT 15/F TO 23/F) (FLAT B M.BATH AT 25/F TO 30/F)	

B.D. REF :

WONG TUNG & PARTNERS LTD.	
APPROVED	
APPROVED AS NOTED	
APPROVED AS NOTED & RESUBMIT	
RESUBMIT	
NO COMMENT	
REFER OTHER CONSULTANT'S COMMENTS	
Reviewed for compliance with the design intent. Comments made shall apply to all similar conditions & details, not just the ones cited. The approval shall not be construed as relieving the contractor for compliance with the contract documents & requirements.	
Reviewed By	Date

CLIENT :

Pacific Century Premium Developments  
盈科大衍地產發展

ARCHITECT :

WONG TUNG & PARTNERS LIMITED  
ARCHITECTS & PLANNERS

MAIN CONTRACTOR :

顯利工程有限公司  
HIEN LEE ENGINEERING CO., LTD.

STRUCTURAL ENGINEER :

SYW & ASSOCIATES LTD.  
REGISTERED ENGINEERS & AUTHORIZED PERSONS  
鄧賢偉建築工程師

FACADE CONSULTANT:

NOTE :

- ALL DIMENSIONS ARE IN mm.
- ALL ELEVATIONS ARE VIEWED FROM OUTSIDE.
- ALL DIMENSIONS TO BE VERIFIED ON SITE BEFORE FABRICATION.

LEGEND :

(X1) — DETAIL MARK NO.  
(X001) — REFER SHEET NO.

- F.F.L. — FINISHED FLOOR LEVEL
- S.F.L. — STRUCTURAL FLOOR LEVEL
- (R) — REVERSED DETAIL
- F. — FIXED WINDOW
- SH. — TOP HUNG WINDOW
- LOUVER
- GLASS LEGEND

TG01A1 — SOUTH-EAST FACADE: LOW-E IGU-YKED160J (#2)  
8mmHS CLEAR GLASS+12A+10mmT CLEAR GLASS

TG01A2 — SOUTH-EAST FACADE: LOW-E IGU-YKED160J (#2)  
8mmHS CLEAR GLASS+12A+8mmT CLEAR GLASS

TG03 — 10mmT LIGHT GREY TINTED GLASS

TG04 — 8mmHS LIGHT GREY TINTED GLASS

TG05 — 8mmHS LIGHT GREY TINTED FROSTED GLASS

GLAZING AREA  
 OPENABLE AREA

A	26/08/2024	REVISION SUBJECT TO ARCH.COMMENT	MM
NO.	DATE	REVISED	BY

JOB NO. : J-861

PROJECT :

PROPOSED RESIDENTIAL DEVELOPMENT AT NOS. 3-6 GLENEALY, CENTRAL, HONG KONG

TITLE :

WINDOW SCHEDULE FOR PRECAST WINDOW

DATE : 26-06-24 SCALE : 1:30 @A3

DRAWN BY : IVAN CHECKED BY :

美特鋁質有限公司  
MIDI ALUMINIUM FABRICATOR LTD.  
Units 6-8, Sanyo Industrial Centre, 1/F  
610 Sha Kwo Ling Road, Kowloon  
Tel:23489211-4 Fax:(852)2727666

DWG NO. : J861-SD-PW-1001 REV. : B