



工程指示 / 要求簡箋 ENGINEER INSTRUCTIONS(E.I.)

工程指示編號:	EI- 6670 / 23	修改版本:	-
	HK-		
工程編號:	J 860	工程名稱:	馬灣
收件人:	maggie	發件人:	nero
工程項目:	後裝窗、FD門、趟門 - 地盤用玻璃	日期:	23/08/2023

<input type="checkbox"/> 原合約工程包	<input type="checkbox"/> 原合約工程加 / 減脹 QT-	<input type="checkbox"/> 新工程報價 QT-
---------------------------------	--	------------------------------------

信件批核號碼/圖紙參考編號:	批核模具圖紙編號:
客戶指示附件:	管理內部批簽署:

<input type="checkbox"/> 初步鋁料 B.M.	<input type="checkbox"/> 加工拆圖, 然後生產	<input type="checkbox"/> 尺寸表
<input type="checkbox"/> 正式鋁料 B.M.	<input type="checkbox"/> 技術上資料/指示	<input type="checkbox"/> 報價
<input type="checkbox"/> 配件 B.M.	<input type="checkbox"/> 樣辦或貨品說明書	<input type="checkbox"/> 分判合約
<input type="checkbox"/> 其他:		

內容: 請按附件資料生產加工, 按BS EN 14179-1 : 2016做heat soak, 送地盤。  
 - 保護膠紙採用3M surface protective tape 331TBN  
 - 每塊強化玻璃角位離位100mm須加上一張印上承判人公司、生產商Logo及Heat Soak Tested字樣(見附件)

送貨地址: 馬灣珀欣路(消防局對出)  
 \*進入馬灣島之時間只限上午 10:00 至下午 4:00, 其他時間為禁區  
 聯絡人: 熙 聯絡電話: 6760 8798 (送貨前需提前數天聯絡收貨人)

完成上列要求日期: 12/10-2023

國內

<input type="checkbox"/> 生產技術總監	<input type="checkbox"/> 連附件	<input type="checkbox"/> 技術部	<input type="checkbox"/> 連附件	<input type="checkbox"/> 生產部	<input type="checkbox"/> 連附件
<input type="checkbox"/> 採購部	<input type="checkbox"/> 連附件	<input type="checkbox"/> 生產統籌部	<input type="checkbox"/> 連附件	<input type="checkbox"/> 報關組	<input type="checkbox"/> 連附件
<input type="checkbox"/> 質檢部	<input type="checkbox"/> 連附件	<input type="checkbox"/> 會計部	<input type="checkbox"/> 連附件	<input type="checkbox"/> 機械設計部	<input type="checkbox"/> 連附件
<input type="checkbox"/> 香港辦	<input type="checkbox"/> 連附件	<input type="checkbox"/> 其他:			

香港

<input type="checkbox"/> 行政部	<input type="checkbox"/> 連附件	<input type="checkbox"/> 會計部	<input type="checkbox"/> 連附件	<input type="checkbox"/> 統籌部	<input type="checkbox"/> 連附件	<input type="checkbox"/> 工程部	<input type="checkbox"/> 連附件
<input checked="" type="checkbox"/> 採購部	<input checked="" type="checkbox"/> 連附件	<input type="checkbox"/> QS部	<input type="checkbox"/> 連附件	<input checked="" type="checkbox"/> 地盤管理	<input checked="" type="checkbox"/> 連附件	<input type="checkbox"/> 維修部	<input type="checkbox"/> 連附件

*發件人簽署:		*組別成員批核簽署:	
傳遞編號:	/	項目經理簽署:	

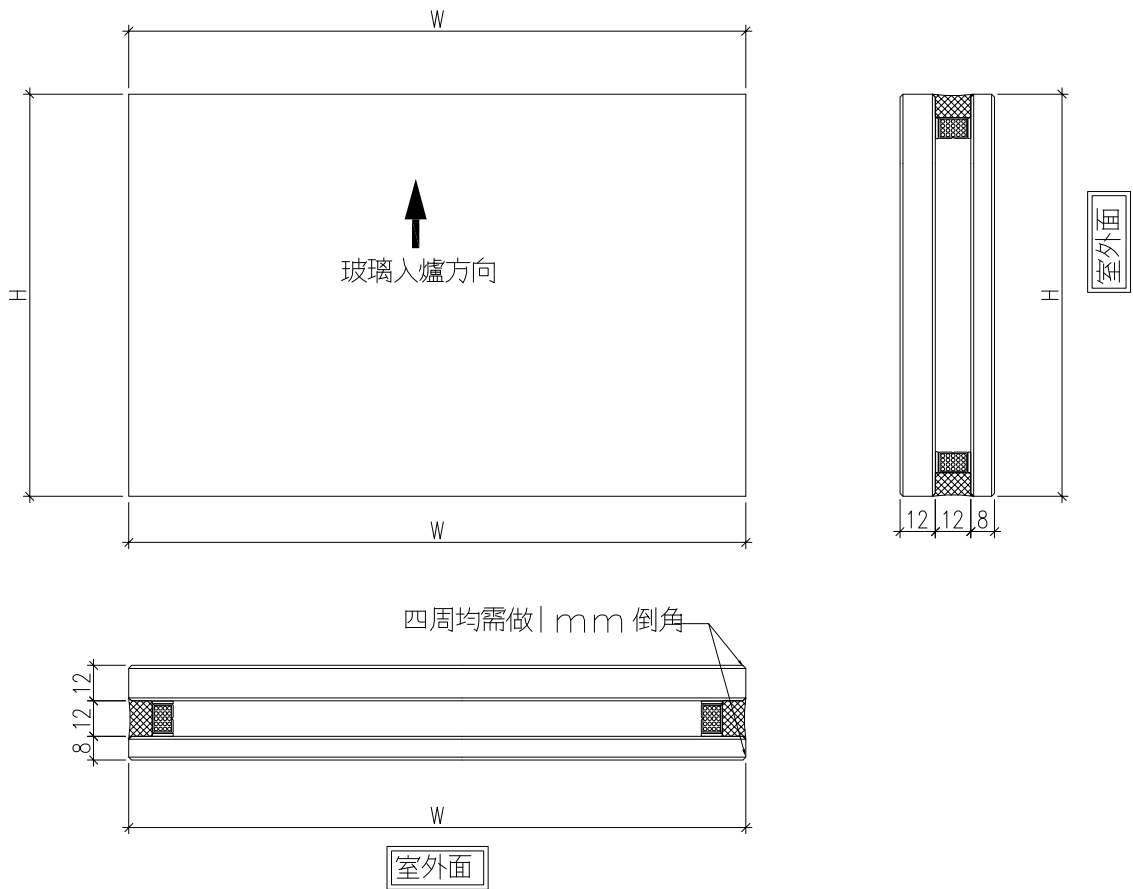
 <b>美特鋁質</b> 有限公司 MIDI Aluminium Fabricator Ltd.		工程號:	J-860	計算:	黃汉卿	日期:	8/15/2023	送呈:	施哥
		地盤名稱:	馬灣	核對:		日期:		副本:	
<b>地盤用玻璃B.M.表</b>		項目類別:	後裝窗, FD門, 趟門	批准:		日期:		A/C Code:	
BM編號:		修改版次:		總計玻璃面積 (平方米):		49.924	此BM依據		
序號	修改內容	玻璃圖號	顏色與類型	厚度 (mm)	玻璃尺寸		數量 (塊)	總面積 (平方米)	備注
					寬度 (mm)	高度 (mm)			
1		AW01-GL1	GL03 - 8mm Clear Annealed Glass with Translucent Ceramic Fritted on Surface#2	8.00	925.0	371.0	2	0.686	65窗
2		AW01-GL2		8.00	920.0	371.0	2	0.683	65窗
4		SD01-GL1	GL01 - 8mm Heat Strengthen Clear with Low-E at Surface#2 + 12Air Gap + 12mm Clear Tempered Glass	32.00	1228.5	2771.5	2	6.810	趟門用玻璃
5		SD01-GL2		32.00	1244.5	2771.5	2	6.898	趟門用玻璃
6		SD01a-GL1		32.00	1118.5	2771.5	2	6.200	趟門用玻璃
7		SD01a-GL2		32.00	1339.5	2771.5	2	7.425	趟門用玻璃
8		FD02-GL1		32.00	788.0	2617.0	1	2.062	FD門玻璃
9		FD02R-GL1		32.00	788.0	2617.0	1	2.062	FD門玻璃
10		FD03GL1		32.00	840.0	2197.0	1	1.845	FD門玻璃
11		FD03R-GL1		32.00	840.0	2197.0	1	1.845	FD門玻璃
12		FD01-GL1		32.00	849.0	2632.0	6	13.407	FD門玻璃
							小計	22	49.924
1).本表中所有玻璃對角線尺寸偏差要求不超過正負2mm。 2).本表中所有玻璃要求倒棱角。 3).本表中不同種類玻璃參照玻璃加工圖加工。 4).本表中所有強化玻璃均需HEAT SOAK TEST。 5).本表中所有強化玻璃之入爐方向均以寬度方向進入。 6).本表中所有玻璃成品送地盤。 7).本表中所有玻璃成品均需注明室內外面及其玻璃編號，以便識別。									



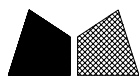
美特鋁質 有限公司  
MIDI Aluminium Fabricator Ltd.

類別		物料號		
制圖	HHQ	2023.8.16	圖號	J860-GL01
修改	-	-	數量	
日期	-	-	位置	
復核	WLQ	2023.8.16		
批准				

玻璃類型：  
GL01  
8mm Heat Strengthen Clear with Low-E at Surface#2  
+ 12Air Gap + 12mm Clear Tempered Glass



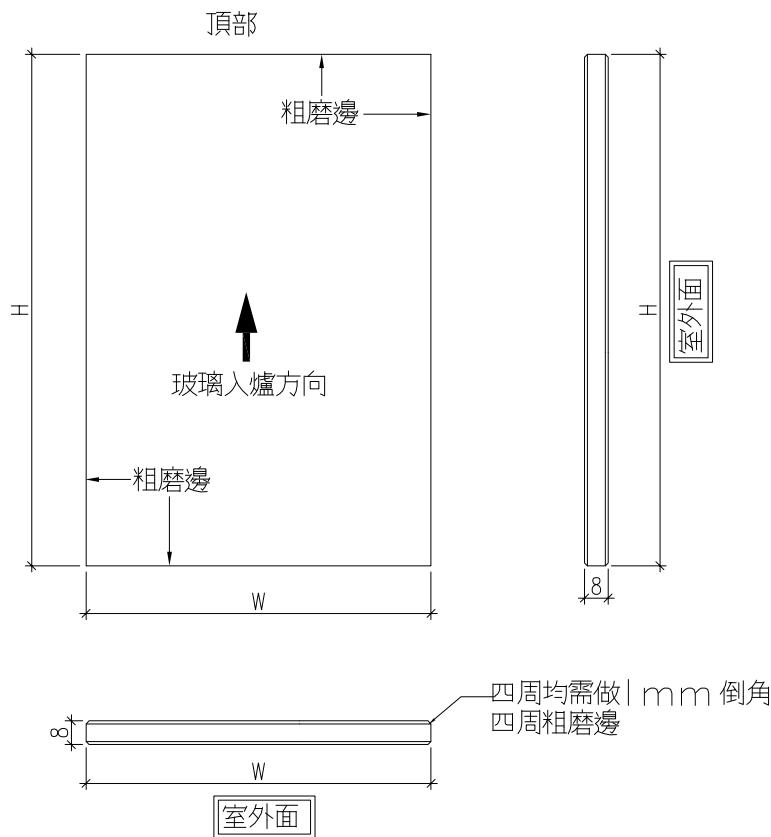
工程號	J-860	地盤	馬灣	附 件
名稱	玻璃加工圖		採用	
材料	-		地盤	
顏色	-		工廠	



美特鋁質 有限公司  
MIDI Aluminium Fabricator Ltd.

類別		物料號		
制圖	HHQ	2022.8.24	圖號	J860-GL03
修改	-	-	數量	
日期	-	-	位置	
復核	WLQ	2022.8.24		
批准				

玻璃類型：  
GL03  
8mm Clear Annealed Glass  
with Translucent Ceramic Fritted on Surface#2



工程號	J-860	地盤	馬灣	附 件
名稱	玻璃加工圖		採用	
材料	-		地盤	
顏色	-		工廠	

B.O. REF. :

CLIENT :

**SUN HUNG KAI**  
REAL ESTATE DEVELOP. LTD.  
227 SUN HANG MAI CENTRE, HONGKONG

**ARCHI+**  
ARCHITECTS AND ENGINEERS LTD.  
227 SUN HANG MAI CENTRE, HONGKONG

MAIN CONTRACTORS :

**S** Sanfield Building Construction Ltd.  
227 SUN HANG MAI CENTRE, HONGKONG

STRUCTURAL ENGINEERS :

**S** SUN HUNG KAI  
ARCHITECTS AND ENGINEERS LTD.  
227 SUN HANG MAI CENTRE, HONGKONG

FRAME CONSULTANT :

NOTE :

1. ALL DIMENSIONS ARE IN mm.
2. ALL ELEVATIONS ARE VIEWED FROM OUTSIDE.
3. ALL DIMENSIONS TO BE VERIFIED ON SITE BEFORE FABRICATION.

LEGEND :

- (A) DETAIL MARK NO.
- (X) REFER SHEET NO.
- 1. F.F.L. --- FINISHED FLOOR LEVEL
- 2. S.F.L. --- STRUCTURAL FLOOR LEVEL
- 3. (H) --- REINFORCED DETAIL

C	20/7/2023	GENERAL REVISED
B	15/3/2023	GENERAL REVISED
A	04/12/2022	GENERAL REVISED
NO.	DATE	REVISION
BY		

JOB NO. : J-860

PROJECT : PROPOSED DEVELOPMENT  
AT MA WAI PARK PHASE II, MA WAI  
(NOW KNOWN AS MA WAI LOT NO.684)  
NEW BUILDING

TITLE : ALUM. WINDOW SCHEDULE

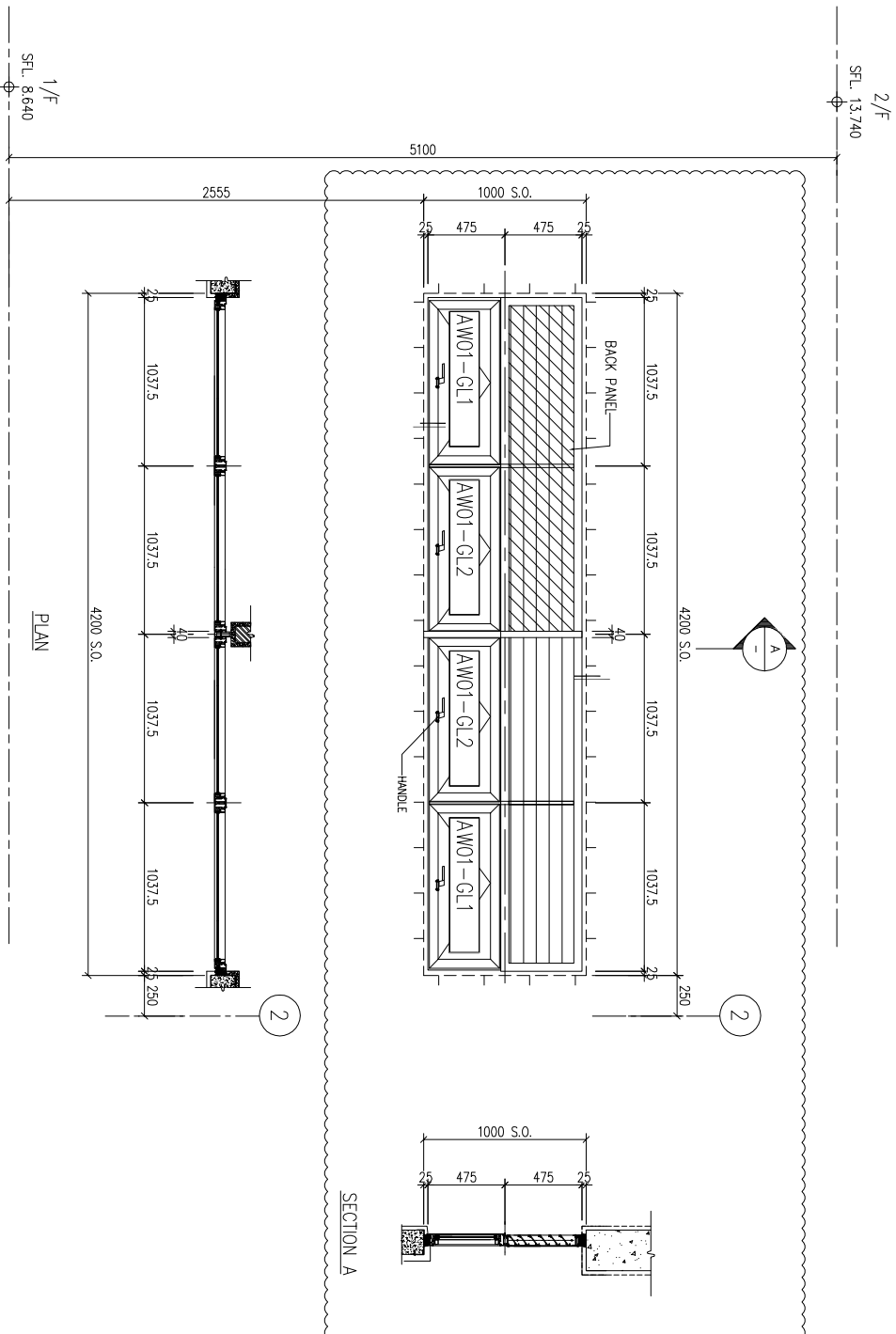
DATE : 8-10-22 SCALE : 1:30(A3)

DRAWN BY : Ashing

CHECKED BY :

**MIDI** 美特 鋁業有限公司  
ALUMINIUM PARTS MANUFACTURER LTD.  
Unit 6-8, Sunny Industrial Centre, 1/F  
610 Chee Kwo Ling Road, Kowloon  
Tel: (852)27272665 Fax: (852)27272665  
DWG NO. : JB60-W-2001

ELEVATIONS  
(VIEWED FROM  
THE OUTSIDE)



PLAN

SECTION A



WINDOW MARK :  
SECTION : 65mm ALUM. SECTION AL-07  
QTY. : 1 NO.

LOCATION : FEMALE TOILET & MALE TOILET NEW BUILDING (1/F)

GLAZING : GL-03 8mm THICK CLEAR ANNEALED GLASS WITH TRANSLUCENT CERAMIC FRITTED ON SURFACE NO. 2 OR APPROVED EQUIVALENT

REMARK : AL-07 ALUMINIUM EXTRUSION/ GLAZING, 3-COAT DARK GREY COLOUR FLUOROCARBON COATING METALLIC FINISH (PPE UC43352 OR APPROVED EQUIVALENT)

OPENABLE AREA	1.821
GLAZING AREA	1.165

B.D. REF. :

CLIENT :

**SUN HUNG KAI**  
REAL ESTATE DEVELOPMENT LTD.  
227 SUN HUNG KAI CENTRE, HONGKONG

ARCHITECT :

**ARCHI+**  
ARCHIPLUS INTERNATIONAL (HK) LIMITED

MAIN CONTRACTORS :

**Santfield** 22222222  
Santfield Building Construction Ltd.  
301-3133 Wong Shue Hei Road, Sheung Shui, New Territories, Hong Kong

STRUCTURAL ENGINEER :

**SUN HUNG KAI**  
ARCHITECTS AND ENGINEERS LTD.  
227 SUN HUNG KAI CENTRE, HONGKONG

FRAME CONSULTANT :

**SUN HUNG KAI**  
ARCHITECTS AND ENGINEERS LTD.  
227 SUN HUNG KAI CENTRE, HONGKONG

NOTE :  
1. ALL DIMENSIONS ARE IN MM.  
2. ALL ELEVATIONS ARE VIEWED FROM OUTSIDE.  
3. ALL DIMENSIONS TO BE VERIFIED ON SITE BEFORE FABRICATION.  
LEGEND :  
**ST** - DETAIL MARK NO.  
**X300** - REFER SHEET NO.

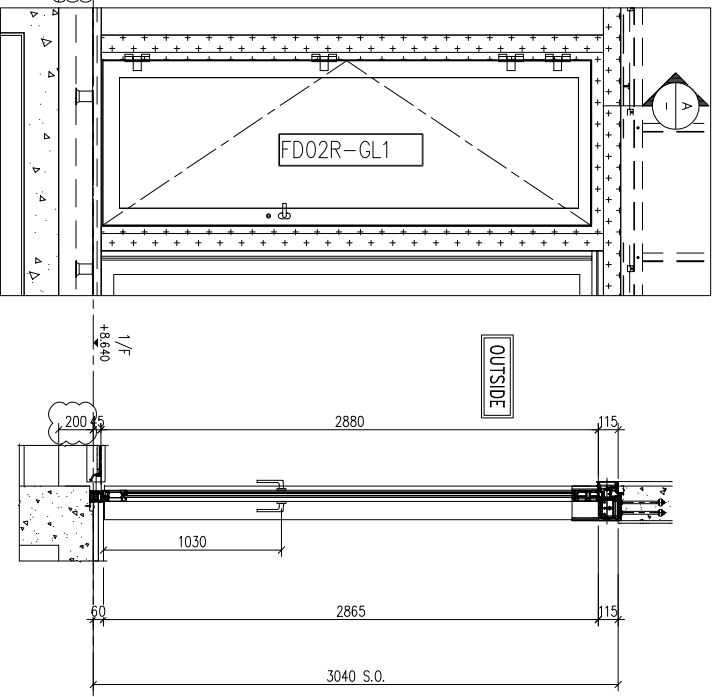
1. F.F.L. - FINISHED FLOOR LEVEL  
2. S.F.L. - STRUCTURAL FLOOR LEVEL  
3. R.F.L. - REFERRED DETAIL

NO.	DATE	REVISION
C	20/7/2023	GENERAL REVISED
B	15/3/2023	GENERAL REVISED
A	04/12/2022	GENERAL REVISED

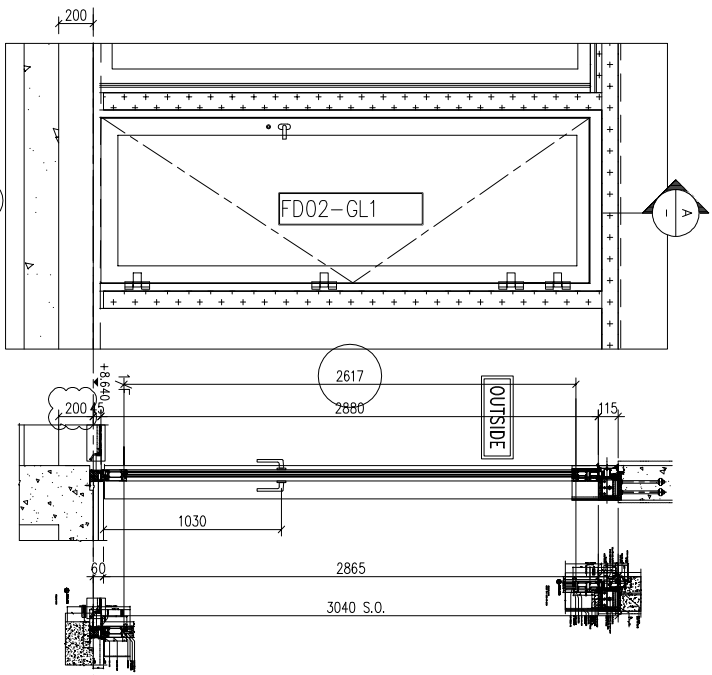
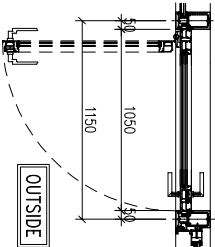
JOB NO. : J-860  
PROJECT : PROPOSED DEVELOPMENT AT WAH WAI PARK PHASE II, WA WAI (NOW KNOWN AS WA WAI LOT NO.684) NEW BUILDING  
TITLE : FOLDING DOOR SCHEDULE

DATE : 8-10-22  
SCALE : 1:30(A3)  
DRAWN BY : Ashing  
CHECKED BY :

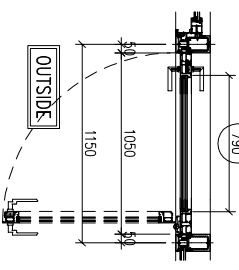
**中環建築有限公司**  
MIDI ARCHITECTURAL PRACTICES LTD.  
Unit 6-8, Suning Industrial Centre, 1/F  
610 Che Kwo Ling Road, Kowloon  
Tel: (852)27272665  
Fax: (852)27272665  
DWS NO. : J860-W-2008  
REV. : C



SECTION A



SECTION A



ELEVATIONS  
(VIEWED FROM  
THE OUTSIDE)

WINDOW MARK :  
FD  
02

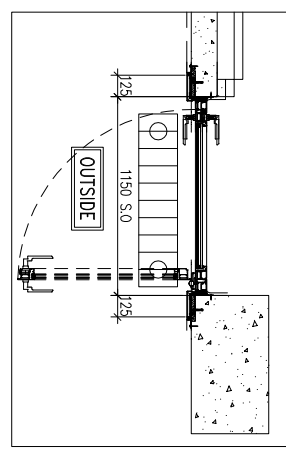
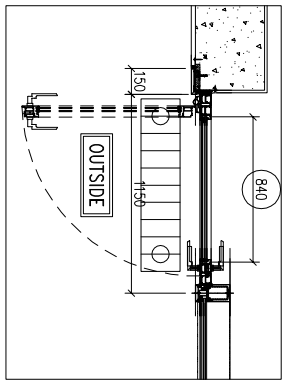
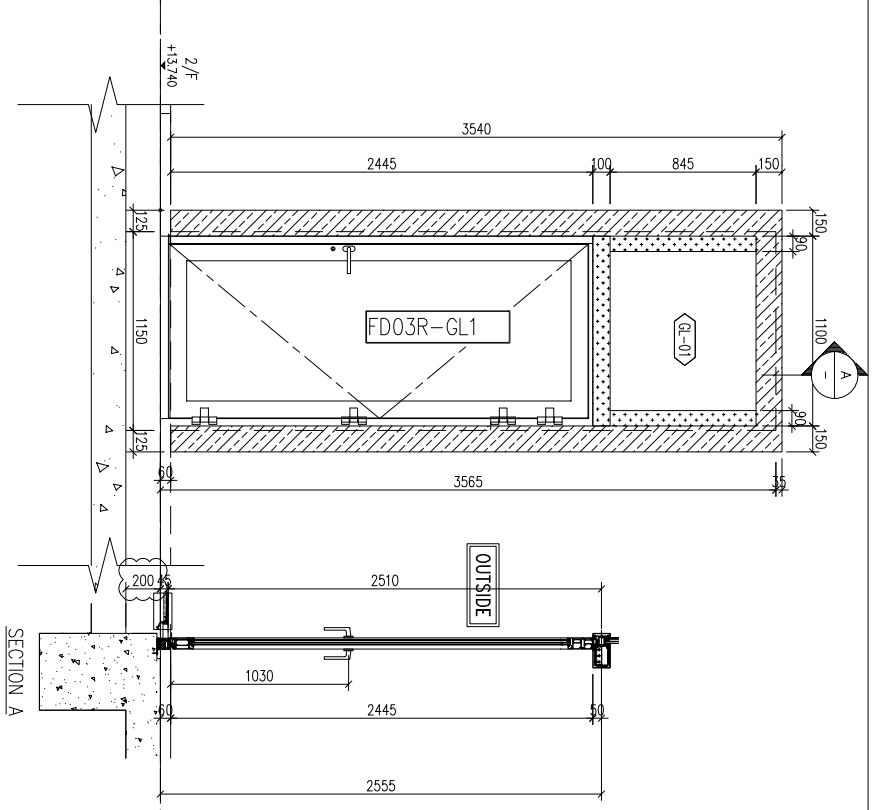
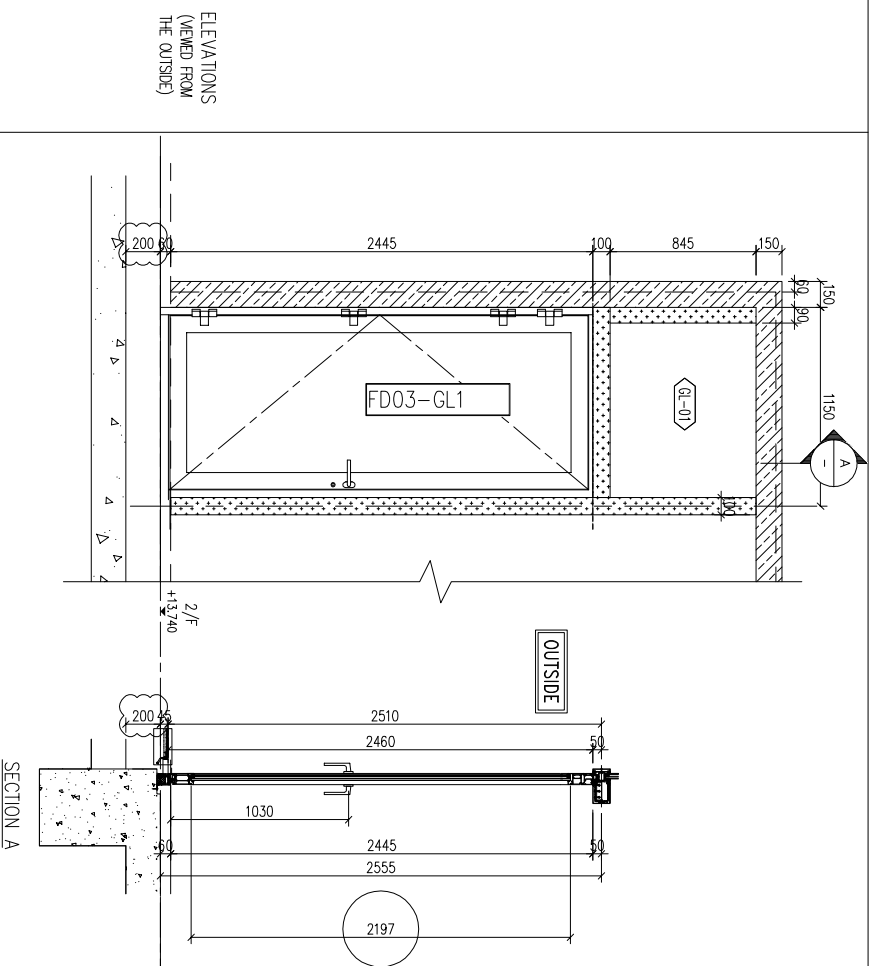
SECTION : 65mm ALUM. SECTION AL-06

QTY. : 1 NO.

LOCATION : RESTAURANT  
NEW BUILDING (1/F)

GLAZING : 8mm THICK HEAT STRENGTHENED CLEAR GLASS (LOW-E) COATING ON SURFACE NO. 2 "XONE0175-0" OR APPROVED EQUIVALENT + 12mm AIR GAP + 12mm THICK CLEAR TEMPERED GLASS INNER PANE INSULATED GLAZING UNIT (IGU)

REMARK : AL-06 ALUMINIUM EXTRUSION/ GLAZING, 3-COAT BRONZE COLOUR FLUOROCARBON COATING METALLIC FINISH (PFG KPP17179 OR APPROVED EQUIVALENT)



ELEVATIONS  
(VIEWED FROM  
THE OUTSIDE)

SECTION A

SECTION A

WINDOW MARK :  
FD  
03

WINDOW MARK :  
FD  
03R

SECTION : 65mm ALUM. SECTION AL-06

SECTION : 65mm ALUM. SECTION AL-06

QTY : 1 NO.

QTY : 1 NO.

LOCATION : SEATING AREA  
NEW BUILDING (2/F)

LOCATION : SEATING AREA  
NEW BUILDING (2/F)

GLAZING : GL-01 8mm THICK HEAT STRENGTHENED CLEAR GLASS (LOW-E) COATING ON SURFACE NO. 2 "XONE0175-0" OR APPROVED EQUIVALENT + 12mm AIR GAP + 12mm THICK CLEAR TEMPERED GLASS INNER PANE INSULATED GLAZING UNIT (IGU)

REMARK : AL-06 ALUMINIUM EXTRUSION/ GLAZING, 3-COAT BRONZE COLOUR FLUOROCARBON COATING METALLIC FINISH (PFG KPP17179 OR APPROVED EQUIVALENT)

B.O. REF :

CLIENT :  
**SUN HUNG KAI**  
REAL ESTATE DEVELOPMENT LTD.  
22/F SUN HUNG KAI CENTRAL, WINGLUN, HONGKONG

ARCHITECT :  
**ARCHI+**  
ARCHIPLUS INTERNATIONAL (HK) LIMITED

MAIN CONTRACTORS :  
**Sunfield** Building Construction Ltd.  
22/F SUN HUNG KAI CENTRAL, WINGLUN, HONGKONG

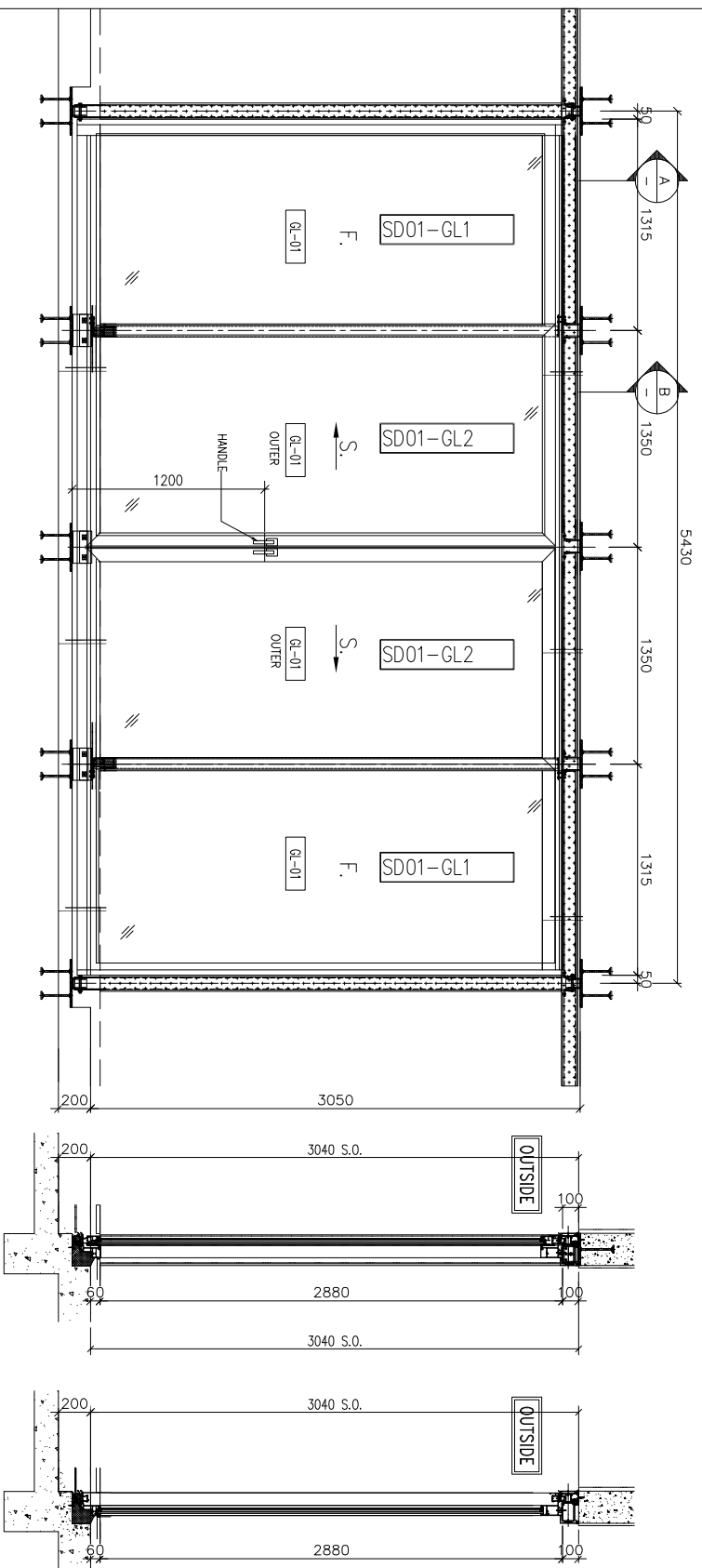
STRUCTURAL ENGINEER :  
**SUN HUNG KAI**  
ARCHITECTS AND ENGINEERS LTD.  
22/F SUN HUNG KAI CENTRAL, WINGLUN, HONGKONG

NOTE :  
1. ALL DIMENSIONS ARE IN mm.  
2. ALL ELEVATIONS ARE VIEWED FROM OUTSIDE.  
3. ALL DIMENSIONS TO BE CHECKED ON SITE BEFORE FABRICATION.  
LEGEND :  
① DETAIL MARK NO.  
② REFER SHEET NO.  
1. F.F.L. --- FINISHED FLOOR LEVEL  
2. S.F.L. --- STRUCTURAL FLOOR LEVEL  
3. --- REVERSED DETAIL

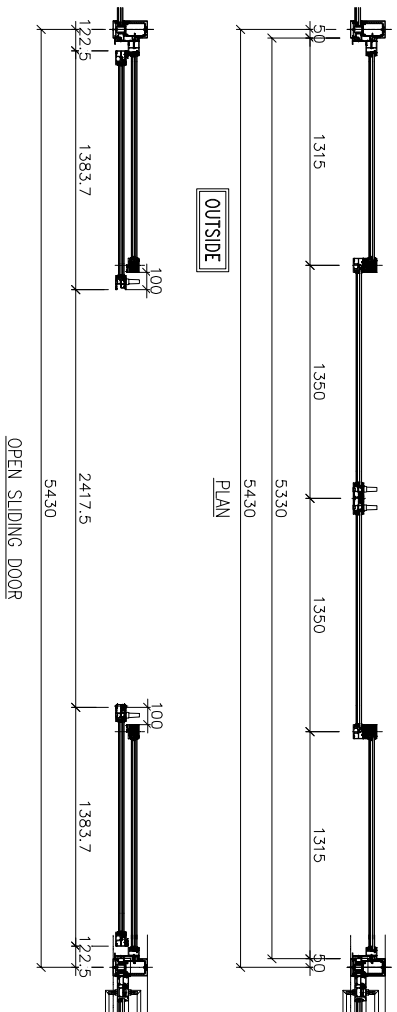
NO.	DATE	REVISION
C	20/7/2023	GENERAL REVISED
B	15/3/2023	GENERAL REVISED
A	04/12/2022	GENERAL REVISED

JOB NO. : J-860  
PROJECT : PROPOSED DEVELOPMENT AT WA WAI PARK PHASE II, WA WAI (NOW KNOWN AS WA WAI LOT NO.684) NEW BUILDING  
TITLE : FOLDING DOOR SCHEDULE

DATE : 8-10-22 SCALE : 1:30(A3)  
DRAWN BY : Ashing CHECKED BY :  
**美特堅有限公司**  
MIDI Architectural Resources Ltd.  
Unit 6-8, Sunny Industrial Centre, 1/F  
610 Che Kwo Ling Road, Kowloon  
Tel: (852) 27272665 Fax: (852) 27272665  
DWS NO. : J860-W-2009 REV. : C



ELEVATIONS  
(VIEWED FROM  
THE OUTSIDE)



50  
01

(G.W. ON THE LEFT AND F.D. ON THE RIGHT)

ALUM. SECTION AL-06

QTY: 1 NO.

RESTAURANT  
NEW BUILDING (1/F)

GL-01 8mm THICK HEAT STRENGTHENED CLEAR GLASS (LOW-E) COATING ON SURFACE NO. 2 "XONE0175-0" OR APPROVED EQUIVALENT + 12mm AIR GAP + 12mm THICK CLEAR TEMPERED GLASS INNER PANE INSULATED GLAZING UNIT (IGU)  
AL-06 ALUMINIUM EXTRUSION/ GLAZING, 3-COAT BRONZE COLOUR FLUOROCARBON COATING METALLIC FINISH (PPG KPR17179 OR APPROVED EQUIVALENT)

B.D. REF. :

CLIENT :  
**SUN HUNG KAI**  
REAL ESTATE AGENT LTD.  
257-261, Hulse Ave. CENTRE, HONGKONG, HONGKONG

ARCHITECT :  
**ARCHI+**  
ARCHIPLUS INTERNATIONAL (HK) LIMITED

MAIN CONTRACTORS :  
**Sanfield** 2222222222  
Sanfield Building Construction Ltd.  
36, 31-33 Hoi Yee Street & 35-37 Hoi Yee Street, All Star Building, Hong Kong

STRUCTURAL ENGINEERS :  
**SUN HUNG KAI**  
ARCHITECTS AND ENGINEERS LTD.  
22/F, SUN HUNG KAI CENTRE, WINGLAI, HONGKONG

FRAME CONSULTANT:

NOTE :  
1. ALL DIMENSIONS ARE IN MM.  
2. ALL ELEVATIONS ARE VIEWED FROM OUTSIDE.  
3. ALL DIMENSIONS TO BE VERIFIED ON SITE BEFORE FABRICATION.

LEGEND :  
① DETAIL MARK NO.  
② REFER SHEET NO.

1. F.F.L. --- FINISHED FLOOR LEVEL  
2. S.F.L. --- STRUCTURAL FLOOR LEVEL  
3. Ⓞ --- RETIRED DETAIL

NO.	DATE	REVISION
B	15/3/2023	GENERAL REVISED
A	04/12/2022	GENERAL REVISED
DR		

JOB NO. : J-860

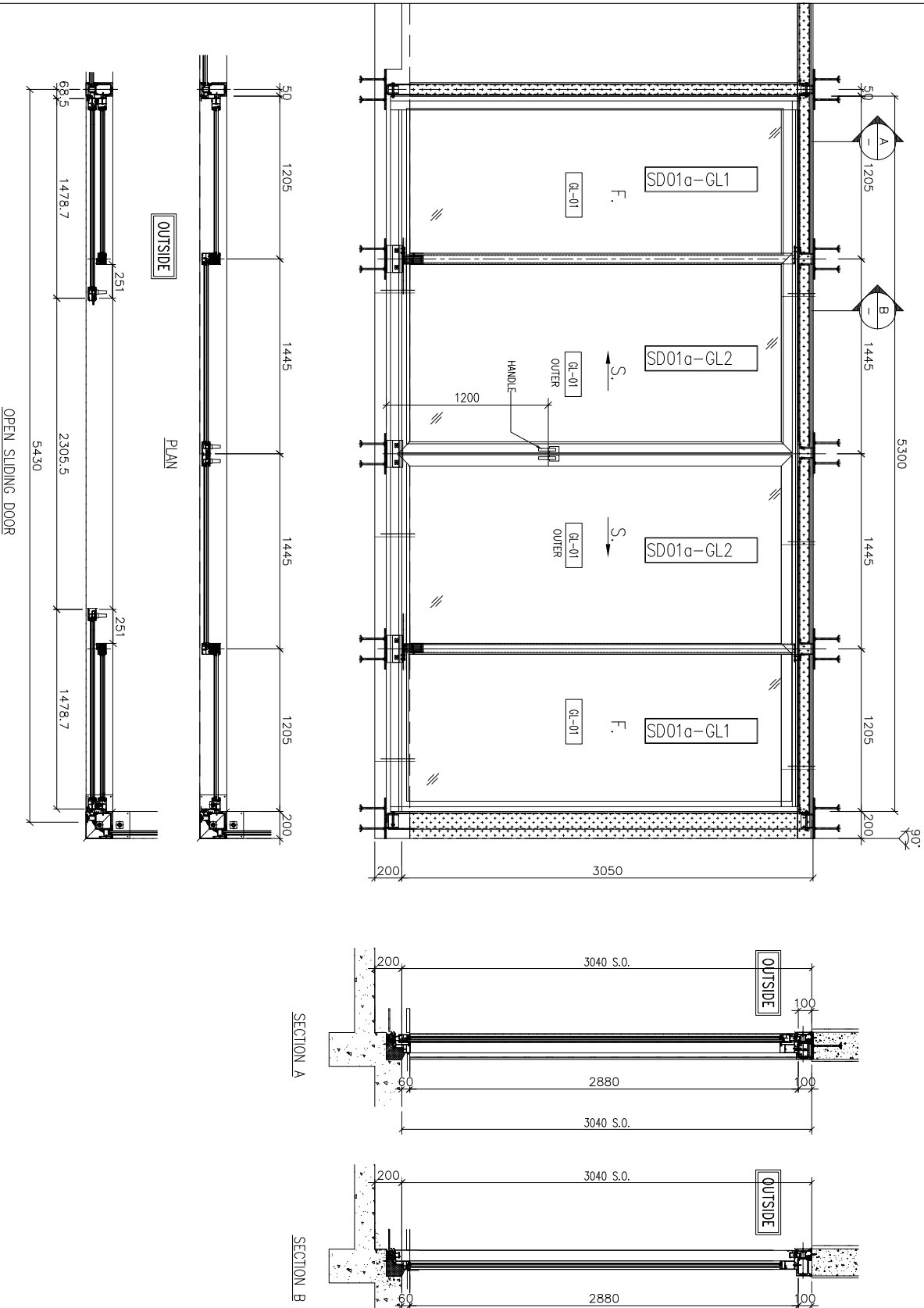
PROJECT : PROPOSED DEVELOPMENT  
AT WA WAI PARK PHASE II, WA WAI  
(NOW KNOWN AS WA WAI LOT NO.684)  
NEW BUILDING

TITLE : SLIDING DOOR SCHEDULE

DATE : 8-10-22 SCALE : 1:30(A3)  
DRAWN BY : Ashing CHECKED BY :

**美特堅有限公司**  
MIDI Architectural Resources Ltd.  
Unit 6-8, Suning Industrial Centre, 1/F  
610 Che Kwo Ling Road, Kowloon  
Tel: (852)27272665 Fax: (852)27272665  
DWG NO. : J860-W-2010 REV. : B

ELEVATIONS  
(VIEWED FROM  
THE OUTSIDE)



WINDOW MARK : (G.W. ON THE LEFT AND G.W. ON THE RIGHT)

SECTION : ALUM. SECTION AL-06

QTY. : 1 NO.

LOCATION : RESTAURANT NEW BUILDING (1/F)

GLAZING : 8mm THICK HEAT STRENGTHENED CLEAR GLASS (LOW-E) COATING ON SURFACE NO. 2 "XONE0175-0" OR APPROVED EQUIVALENT + 12mm AIR GAP + 12mm THICK CLEAR TEMPERED GLASS INNER PANE INSULATED GLAZING UNIT (IGU)

REMARK : ALUMINIUM EXTRUSION/ GLAZING, 3-COAT BRONZE COLOUR FLUOROCARBON COATING METALLIC FINISH (PPG KPR17179 OR APPROVED EQUIVALENT)

B.D. REF. :	
CLIENT :  SUN HUNG KAI REAL ESTATE AGENCY LTD. 42/F, SUN HUNG KAI CENTRE, HONGKONG	
ARCHITECT :  ARCHI+ ARCHITECTS INTERNATIONAL (HK) LIMITED	
MAIN CONTRACTORS :  Sanfield Building Contractors Ltd. 22/F, SUN HUNG KAI CENTRE, HONGKONG	
STRUCTURAL ENGINEERS :  SUN HUNG KAI ARCHITECTS AND ENGINEERS LTD. 22/F, SUN HUNG KAI CENTRE, HONGKONG	
FRAME CONSULTANT :	
NOTE : 1. ALL DIMENSIONS ARE IN MM. 2. ALL ELEVATIONS ARE VIEWED FROM OUTSIDE. 3. ALL DIMENSIONS TO BE CHECKED ON SITE BEFORE FABRICATION.	
LEGEND : DETAIL MARK NO. REFER SHEET NO.	
1. F.F.L. -- FINISHED FLOOR LEVEL 2. S.F.L. -- STRUCTURAL FLOOR LEVEL 3.  -- REINFORCED DETAIL	
NO.	REVISION
DATE	BY
JOB NO. : J-860	
PROJECT : PROPOSED DEVELOPMENT AT WA WAI PARK PHASE II, WA WAI (NOW KNOWN AS WA WAI LOT NO.684) NEW BUILDING	
TITLE : SLIDING DOOR SCHEDULE	
DATE : 8-10-22	SCALE : 1:30(A3)
DRAWN BY : Ashing	CHECKED BY :
MIDI 美地建築有限公司 Unit 6-8, Suning Industrial Centre, 1/F 610 Che Kwo Ling Road, Kowloon Tel: (852)27272665 Fax: (852)27272665	
DWG NO. : JB60-W-2011	REV. : -

B.D. REF. :

CLIENT :

**SUN HUNG KAI**  
REAL ESTATE AGENT LTD.  
22/F, SUN HUNG KAI CENTRE, WANGHAI, HONGKONG

ARCHITECT :  
**ARCHI+**  
ARCHIPLUS INTERNATIONAL (HK) LIMITED

MAIN CONTRACTORS :

**S** Sanfield Building Construction Ltd.  
22/F, SUN HUNG KAI CENTRE, WANGHAI, HONGKONG

STRUCTURAL ENGINEER :

**SUN HUNG KAI**  
ARCHITECTS AND ENGINEERS LTD.  
22/F, SUN HUNG KAI CENTRE, WANGHAI, HONGKONG

FRAME CONSULTANT:

NOTE :  
1. ALL DIMENSIONS ARE IN mm.  
2. ALL ELEVATIONS ARE VIEWED FROM OUTSIDE.  
3. ALL DIMENSIONS TO BE VERIFIED ON SITE BEFORE FABRICATION.

LEGEND :

- ① DETAIL MARK NO.
- X300 REFER SHEET NO.
- 1. F.F.L. --- FINISHED FLOOR LEVEL
- 2. S.F.L. --- STRUCTURAL FLOOR LEVEL
- 3. Ⓞ --- REINFORCED DETAIL

NO.	DATE	REVISION	BY

JOB NO. : J-860  
PROJECT : PROPOSED DEVELOPMENT AT MA WAI PARK PHASE II, MA WAI (NOW KNOWN AS MA WAI LOT NO.684) NEW BUILDING

TITLE : FOLDING DOOR SCHEDULE

DATE : 8-10-22

SCALE : 1:30(A3)

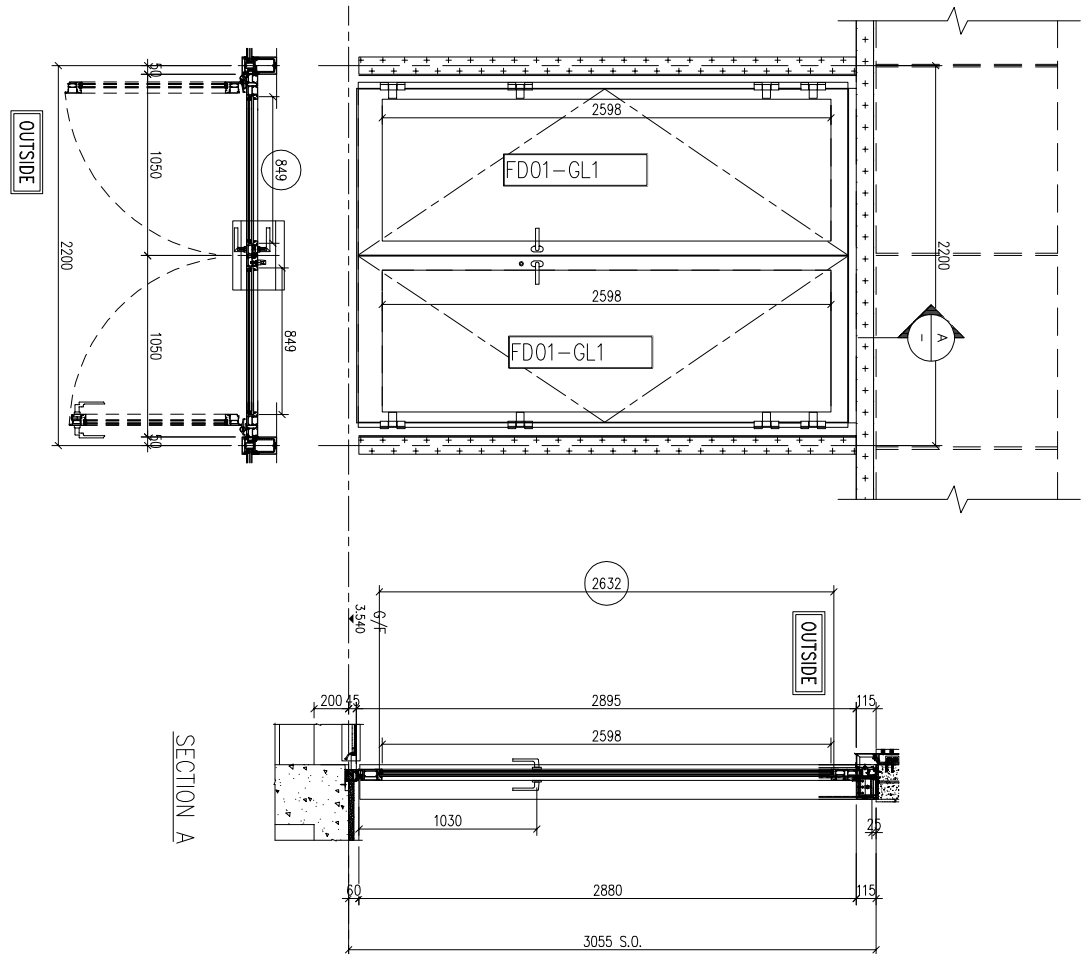
DRAWN BY : Ashing

CHECKED BY :

**美特堅有限公司**  
MIDI Architecture Associates Ltd.  
Unit 6-8, Sunny Industrial Centre, 1/F  
610 Che Kwo Ling Road, Kowloon  
62749821-4 Fax: (852) 2727065  
DWC NO. : J860-W-2012

REV. : B

ELEVATIONS  
(VIEWED FROM  
THE OUTSIDE)



WINDOW MARK :  
FD  
01

SECTION : 65mm ALUM. SECTION AL-06

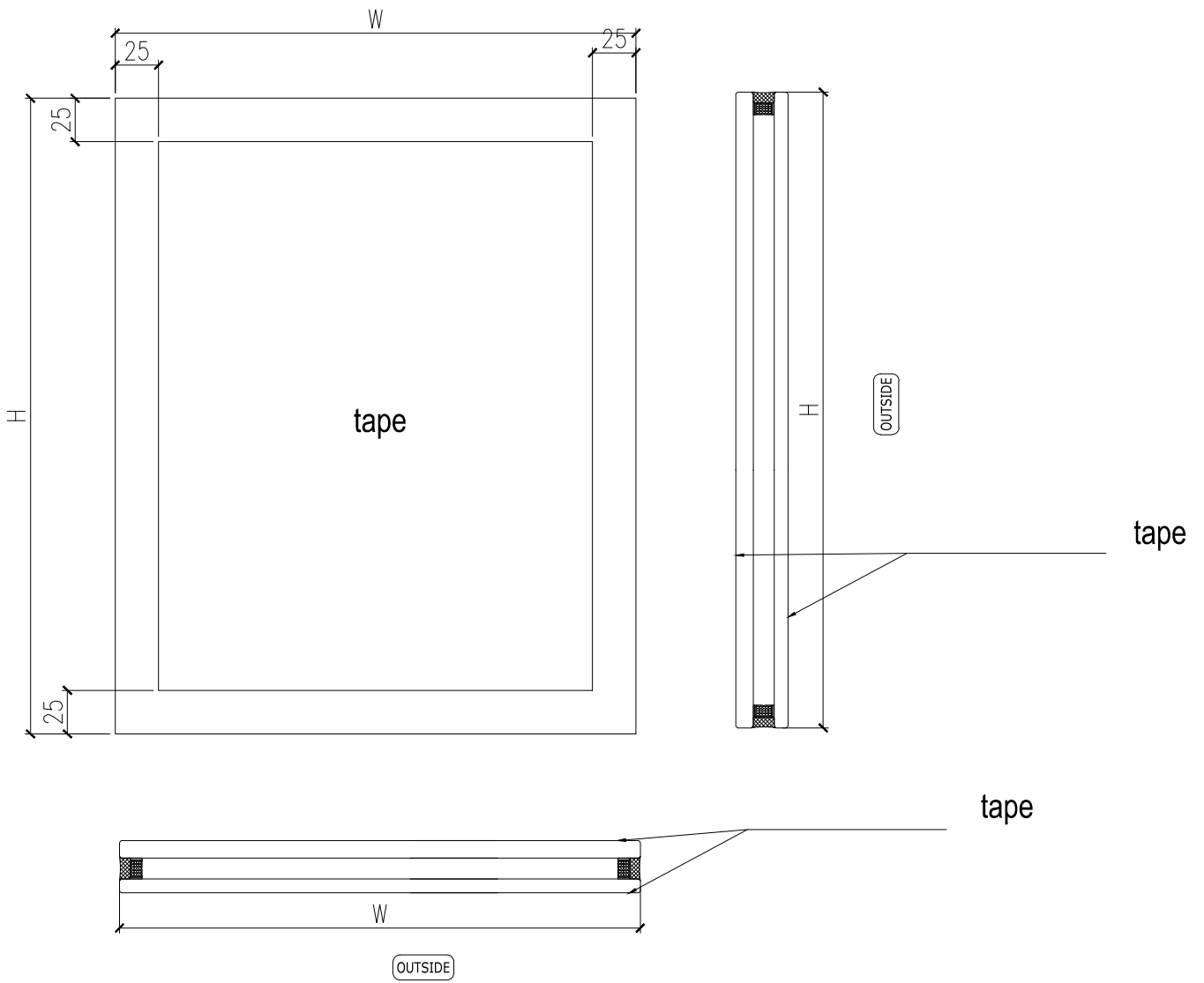
QTY. : 3 NOS.

LOCATION : RESTAURANT  
NEW BUILDING (G/F)

GLAZING : GL-01 8mm THICK HEAT STRENGTHENED CLEAR GLASS ( LOW-E) COATING ON SURFACE NO. 2 "XONE0175-0" OR APPROVED EQUIVALENT + 12mm AIR GAP + 12mm THICK CLEAR TEMPERED GLASS INNER PANE INSULATED GLAZING UNIT (IGU)

REMARK : AL-06 ALUMINIUM EXTRUSION/ GLAZING, 3-COAT BRONZE COLOUR FLUOROCARBON COATING METALLIC FINISH (PFG KPP17179 OR APPROVED EQUIVALENT)

保護膠紙示意圖



工程說明 (PTA)

10.8 Tempered Glass 品質監控：

10.8.1 所有強化玻璃 (Tempered Glass) 之生產及品質監控須按照 ASTM C1036、ASTM C1048 及 ISO 9001：2008，CoP Structural Use of Glass 2018，SHKP General Technical Specification for External Façade System 標準進行，而 Heat Soak Test 之要求及記錄須按照屋宇署最新作業備考 PNAP APP-37(BS EN 14179-1：2016)，CoP Structural Use of Glass 2018 標準進行測試及呈交所需文件；承判人須包工料 100%做妥所需 Heat Soak Test 並呈交有關報告。所有玻璃均須有產地來源証。此外，每批強化玻璃到貨地盤時，必須即時將有關之強化及熱浸的品質控制紀錄呈交予主判人核對。

10.8.2 Heat Soak Test 熱浸程序 Practice Note PNAP APP-37 (BS EN 14179-1：2016)，CoP Structural Use of Glass 2018)標準如下(不論玻璃厚度)：

10.8.3 每塊強化玻璃角位離邊位 100mm 須加上一張透明貼紙 (貼紙上印上承判人公司、生產商 Logo 及 Heat Soak Tested 字樣)。



10.8.4 分判商須提供儀器鏡 *gasp-surface-polarimeter* 於地盤進行- 玻璃表面應力量度 - 半鋼化玻璃 (每款厚度最少 5 件)，玻璃表面應力量度 - 全鋼化玻璃 (每款厚度最少 5 件) CoP Structural Use of Glass 2018 BD' s 標準抽驗玻璃表面應力量度。

10.8.5 玻璃之生產商需符合主判人指定之生產廠。

10.8.6 所有玻璃需符合 Code of Practice for Structural Use of Glass 2018 年玻璃結構作業守則。

10.8.7 承判商須委派具足夠經驗之人員 (TCP-T1) 全職駐廠，並須自備另外 1 個感應器及數據收集器(須做妥驗證” Calibration”，細節須依照 CoP Structural Use of Glass 2018 BD' s，Practice Note NPAP APP-37) 以監察整個玻璃強化及熱浸程序，並與承判商及廠方即時完成品質控制程序之核實工作，每次進行玻璃強化及熱浸程序皆須要通知主判人作聯合完成品質控制程序之核實工作 (100%進行)，主判人方面之隨行品質控制員可包括主判人代表、則師、顧問及業主均可，承判人須包費用及作上述安排：包括專車接送及膳食。另承判人亦須就代主判人聘請 100%監控 Heat Soak Test 過程之 T1 人員作個別報價 (暫定項目)。

10.9 承判人須計算窗表之 Aggregate Superficial Area of Glass 及 Openable Area of Window，提供適當鋁料 Section，以達屋宇署之要求，另需呈交有關計算結果予則樓覆核，包括百頁之實際通風面積。(若圖則沒有述明要求數據，承判人只需提供現時圖則與鋁窗設計相應數據供則師覆核)。



信義集團(玻璃)有限公司  
Xinyi Group (Glass) Company Limited  
香港九龍觀塘海濱道135號宏基資本大廈 21 樓  
21/F, Rykadan Capital Tower, No. 135 Hoi Bun Road,  
Kwun Tong, Kowloon, Hong Kong  
Tel.: 3919 2888 Fax.: 3919 2890

## QUOTATION

To: Midi Aluminium Fabrication Ltd.  
Attn: Jimmy Wong (Mobile: 6358 5361)

Tel No.: 2172 9639

Fax No.:

Project: **Ma Wan Park Phase 2 (restaurant)**

Fm.: Samantha Tsang

Tel No.: 94213000

Ref No.: XHK20221107-03

Date: 7-Nov-22

ITEM	DESCRIPTION	Unit	QTY (sqm)	UNIT PRICE (per sqm)	Total Amount (HKD \$)	Remark (W*H)
1	8mm 白玻半鋼化 (XDNE0175-D) #2 + 12A + 12mm 白玻鋼化均質	m2	300	HK\$535	HK\$160,500	常規矩形
2	8mm 白玻鋼化均質整面絲印半透明彩釉 #2	m2	2	HK\$209	HK\$418	常規矩形
option	精磨邊 (單片≤12mm)	m	-	HK\$6	-	-
option	精磨邊 (單片>12mm)	m	-	HK\$10	-	-
option	鑽孔費 (單片≤12mm)	個	-	HK\$15	-	-
option	鑽孔費 (單片>12mm)	個	-	HK\$20	-	-
option	鑽孔費 (夾膠)	個	-	HK\$20	-	-
option	鑽孔費 (中空)	個	-	HK\$35	-	-
option	鑽孔費 (中空夾膠)	個	-	HK\$45	-	-
option	額外膠深	mm/m2	-	HK\$10	-	-
option	黑色鋁條	m2	-	HK\$15	-	-
option	雙面貼保護膜	m2	-	HK\$25	-	-
option	網版費	m2/個	-	HK\$1,900	-	-
<b>TOTAL</b>			<b>302</b>	<b>-</b>	<b>HK\$160,918</b>	<b>-</b>

### Remarks:

- 1) 以上玻璃無備注為常規版面 (2440\*3660mm) 以內, 最小版面不小於 (300\*800); 若玻璃版面 < 300mm\*800mm, 則只能做非鋼化處理, 粗磨邊, 切裁率在 85% (PVB 切裁率 90%/SGP 切裁率 95%) 以上, 精磨邊、鑽孔費、挖角費、網版費另計, 鋼化玻璃含均質處理費; 若該工程中, 每個膜系的總量不超過 2000 平米, 單價上浮 30%; 相同膜系一次性下單不得小於 2000 平米, 低於 2000 平米將累計到 2000 平米以上生產, 供貨日期按照生產日期開始計算;
- 2) 玻璃面積不足 0.5 平方按 0.5 平方價格計算; 中空大小片在矩形單價基礎上增加 HKD15 元/m<sup>2</sup>/邊; 异形玻璃根據以下三類計費: A、常規异形 (即三角形、梯形、菱形、平行四邊形) 單價=矩形單價\*1.3, B、非常規异形 (即扇形、圓形、多邊不規則异形等) 單價=矩形單價\*1.5, C、异形玻璃無圖紙, 要求按模板生產的, 單價=矩形單價\*1.6; 异形 (含中空大小片) 按最小外接矩形面積計算, 貨期另議;
- 3) 熱浸按 BS EN14179-1:2016, 符合香港屋宇署新規執行《Code of Practice for Structural Use of Glass 2018》。
- 4) 以上中空玻璃採用優質進口結構膠, 標準膠深≤8mm; 銀色氧化鋁間隔條;
- 5) 以上夾膠玻璃採用進口優質透明 PVB;
- 6) 以上配置未注明產地者, 均採用國產優質原料;
- 7) 付款加工  
以上報價含包裝、運保費, 為珠三角車板整車運輸交貨價; 若需散貨零擔發貨運輸 (玻璃重量不足 10 噸), 運費另收, 送國內廣東省地區的運費 HKD2500/次。因香港海運和中港車運輸價格波動極大, 送香港工地運費另議。
- 8) 如需走保稅區, 則保稅區報關費由買方 (甲方) 承擔。
- 9) 分座分層/零散下單包裝不足 1.5 噸的, 需另收木箱費, 木箱費為 500 港元/個。
- 10) 以上玻璃按美標, 鋼化玻璃/中空玻璃質保 10 年, 夾層玻璃質保 5 年;
- 11) 由於原材料成本波動, 以上價格僅供參考!

# Letter of Transmittal

To : Sanfield Building Contractors Ltd.

Attention : Mr. Simon Chan

Reference : 1053/T/230628

Date : 30 June 2023

Project : Proposed Development at Ma Wan Park Phase II,  
Lot 684 in Ma Wan

COPY	DRAWING NO.	DATED	PAPER SIZE	DESCRIPTION
1	--	30 June 2023	A4	(2 <sup>nd</sup> ) Material Submission of Glass Sample (GL-01 & GL-03) for the New Building (Your ref.: MWP(P2)/TSF-258A)
Remarks:				

For your information  
 For your record  
 For your comments

For your approval & return  
 Please handle  
 At your request

Transmitted By:

Received By:



Eddie M.F. Li

Date

Distribution:

Ma Wan Park Ltd. - Mr. Angus Cheung/Mr. W. C. Wong] w/e (by email)  
SHKSP - Mr. P.W. Tse/Mr. Johnson Yau ] w/e (by email)



**新輝建築有限公司**  
**Sanfield Building Contractors Ltd.**

新鴻基地產集團成員  
 A MEMBER OF SUN HUNG KAI PROPERTIES GROUP



**Project : Ma Wan Park Phase 2**

**TECHNICAL SUBMISSION FORM**

From : Chan Yun Kan Simon To : Archiplus International (HK) Limited  
 Date : 25 April 2023  
 Our Ref : MWP(P2)/TSF-258A Attn.: Mr. Eddie Li

We would like to submit the following documents for your comment and approval.

<b>Subject: (2<sup>nd</sup>)Material Submission of Glass Sample (GL01 &amp; GL03) for the New Building</b>			
Submission Date	Expected Approval Date	Sub-contractor	Approval By
25 April 2023	8 <sup>th</sup> May 2023	MIDI	Archiplus
Remarks: GL01-8mm Heat Strengthen Clear with Low-E at Surface#2+12Air Gap + 12mm Clear Tempered Glass, GL03-8 mm Clear Annealed Glass with Translucent Ceramic Fritted on Surface #2			
Comment:		Reply:	
<ul style="list-style-type: none"> <li>- Option of Glass Origin and Fabrication by Xinyi for GL01 and GL03 are selected</li> <li>- No adverse comment on the performance data of glass</li> <li>- Glass sample has been reviewed with client and signed on-site on 29 Jun 2023</li> </ul>		<input checked="" type="checkbox"/> Archiplus <input type="checkbox"/> <input type="checkbox"/> <input type="checkbox"/> Other: _____	
Signature: <u>M.F.Li.</u> Name: <u>Eddie M.F. Li</u> Date: <u>30/6/2023</u>		Review Status <input type="checkbox"/> A (No Objection) <input checked="" type="checkbox"/> B (No Objection Subject To Comment As Noted) <input type="checkbox"/> C (Amend. & Resubmit) <input type="checkbox"/> D (Reject & Resubmit)	

Encl. 1+5 pages

c.c. MWPL – Mr. Angus Cheung / Mr. W C Wong )All w/e  
 QS – Mr. Charles Chui / Ms. Karen Tung / )by email  
 Ms. Priscilla Chow/Mr. Stephen Cheung )  
 Façade Team- Mr. Lai Yuen Wing )  
 Site Office )  
 MIDI )

Signed  
 For and on behalf of  
**Sanfield Building Contractors Ltd.**

Chan Yun Kan Simon  
 Project Director  
 SC/YSW/TC/IT



**XYG** 引領綠色新生活  
**信義玻璃** LEADING A GREEN NEW LIFE

信義玻璃工程(東莞)有限公司  
 XINYI GLASS ENGINEERING (DONGGUAN) CO., LTD

項目名稱: PROJECT: Ma Wan Park Phase 2 (restaurant)

產品結構: 8C (XDNE0175-D) #2 + 12A + 12C

GLASS MAKEUP.

可見光 Visible Light (%)		U值 U-Value (W/M <sup>2</sup> .k)		遮陽係數 SC	得熱係數 SHGC
透過率 (%)	反射率 (%)	冬季晚上	夏季白天	Shading Coefficient	Solar Heat Gain Coefficient
Transmittance	Reflectance	Winter Night	Summer Day		
64	11	1.64	1.60	0.88	0.39

此样板仅供颜色参考. 质量以批量产品为准

2022-11-17

**XYG** 引領綠色新生活  
**信義玻璃** LEADING A GREEN NEW LIFE

信義玻璃工程(東莞)有限公司  
 XINYI GLASS ENGINEERING (DONGGUAN) CO., LTD

項目名稱: PROJECT: Ma Wan Park Phase 2 (restaurant)

產品結構: 8C (XDNE0175-D) #2 + 12A + 12C

GLASS MAKEUP.

可見光 Visible Light (%)		U值 U-Value (W/M <sup>2</sup> .k)		遮陽係數 SC	得熱係數 SHGC
透過率 (%)	反射率 (%)	冬季晚上	夏季白天	Shading Coefficient	Solar Heat Gain Coefficient
Transmittance	Reflectance	Winter Night	Summer Day		
64	11	1.64	1.60	0.88	0.39

此样板仅供颜色参考. 质量以批量产品为准

MIDI ALUMINIUM FABRICATOR LTD.  
 Units 6, 7, 8 Sanye Industrial Centre, 1st Floor, 888 Chee Chee Ling Road, Kowloon.

Project: Ma Wan Park Phase 2

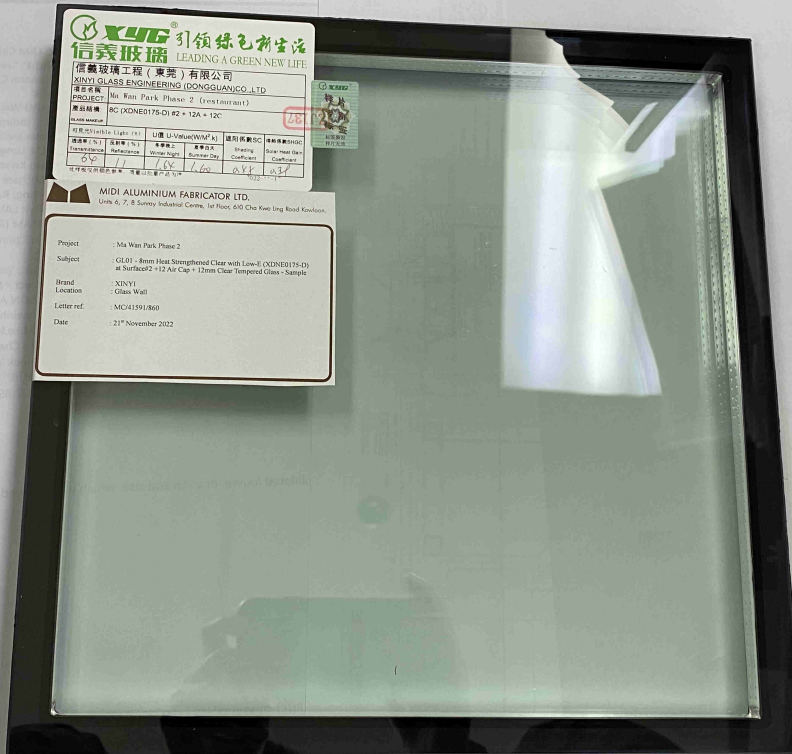
Subject: GLO1 - Room Heat Strengthened Clear with Low-E (XDNE0175-D) at Surface 2 - 12A + 12C + 12Cmm Clear Tempered Glass - Sample

Brand: XINYI

Location: Glass Wall

Letter ref: MC14191/860

Date: 21<sup>st</sup> November 2022



**XYG** 引領綠色新生活  
信義玻璃 LEADING A GREEN NEW LIFE

信義玻璃工程 (東莞) 有限公司

XINYI GLASS ENGINEERING (DONGGUAN) CO., LTD

項目名稱: PROJECT: Ma Wan Park Phase 2 (restaurant)

產品結構: 8C(XYG04)#2

GLASS MAKEUP

可見光Visible Light (%)		U值 U-Value(W/M <sup>2</sup> .k)		遮陽係數SC	得熱係數SHGC
透過率 (%)	反射率 (%)	冬季晚上	夏季白天	Shading Coefficient	Solar Heat Gain Coefficient
Transmittance	Reflectance	Winter Night	Summer Day		
/	/	5.78	5.19	/	/

此樣板僅供顏色參考 不作為產品質量驗收標準

2022-11-16

**XYG** 引領綠色新生活  
信義玻璃 LEADING A GREEN NEW LIFE  
信義玻璃工程 (東莞) 有限公司  
XINYI GLASS ENGINEERING (DONGGUAN) CO., LTD  
項目名稱: Ma Wan Park Phase 2 (restaurant)  
產品結構: 8C(XYG04)#2  
GLASS MAKEUP

透過率 (%)	反射率 (%)	冬季晚上	夏季白天	遮陽係數SC	得熱係數SHGC
Transmittance	Reflectance	Winter Night	Summer Day	Shading Coefficient	Solar Heat Gain Coefficient
/	/	5.78	5.19	/	/

2022-11-16

MIDI ALUMINIUM FABRICATOR LTD.  
Unit 6, 7, 8 Sunny Industrial Centre, 10 Fook, 610 Chu Kwoi Road Kowloon.

Project: Ma Wan Park Phase 2  
Subject: GL03 - 8mm Clear Annealed Glass with Translucent Ceramic Fritted on Surface 2 - Sample  
Brand: XINYI  
Location: Window  
Letter ref: MC/41591/060  
Date: 21<sup>st</sup> November 2022

信義玻璃工程 (東莞) 有限公司  
XINYI GLASS ENGINEERING (DONGGUAN) CO., LTD  
此樣板僅供顏色參考 不作為產品質量驗收標準  
This sample is only for color reference. It does not constitute a quality acceptance standard.