



美特鋁質有限公司

MIDI ALUMINIUM FABRICATOR LTD.



工程指示 / 要求簡箋 ENGINEER INSTRUCTIONS(E.I.)

工程指示編號:	EI- 5701/23	修改版本:	-
	HK- 0188/23		
工程編號:	J 860	工程名稱:	馬灣
收件人:	生統	發件人:	jimmy wong
工程項目:	French Door 旭格門 - 廠用備鋁料	日期:	08/02/2023

<input checked="" type="checkbox"/> 原合約工程包	<input type="checkbox"/> 原合約工程加 / 減賬 QT-	<input type="checkbox"/> 新工程報價 QT-
--	--	------------------------------------

信件批核號碼/圖紙參考編號:	批核模具圖紙編號:
客戶指示附件:	管理內部批簽署:

<input type="checkbox"/> 初步鋁料 B.M.	<input type="checkbox"/> 加工拆圖, 然後生產	<input type="checkbox"/> 尺寸表
<input type="checkbox"/> 正式鋁料 B.M.	<input type="checkbox"/> 技術上資料/指示	<input type="checkbox"/> 報價
<input type="checkbox"/> 配件 B.M.	<input type="checkbox"/> 樣辦或貨品說明書	<input type="checkbox"/> 分判合約
<input type="checkbox"/> 其他:		

內容: 請按附件圖紙訂購鋁料 (旭格 ADS65), 顏色待定. 高加 300mm, 寬度加 200mm.
1+7頁

完成上列要求日期: 15/04/2023

國內

<input type="checkbox"/> 生產技術總監	<input type="checkbox"/> 連附件	<input type="checkbox"/> 技術部	<input type="checkbox"/> 連附件	<input type="checkbox"/> 生產部	<input type="checkbox"/> 連附件
<input type="checkbox"/> 採購部	<input type="checkbox"/> 連附件	<input checked="" type="checkbox"/> 生產統籌部	<input checked="" type="checkbox"/> 連附件	<input type="checkbox"/> 報關組	<input type="checkbox"/> 連附件
<input type="checkbox"/> 質檢部	<input type="checkbox"/> 連附件	<input type="checkbox"/> 會計部	<input type="checkbox"/> 連附件	<input type="checkbox"/> 機械設計部	<input type="checkbox"/> 連附件
<input type="checkbox"/> 香港辦	<input type="checkbox"/> 連附件	<input type="checkbox"/> 其他:			

香港

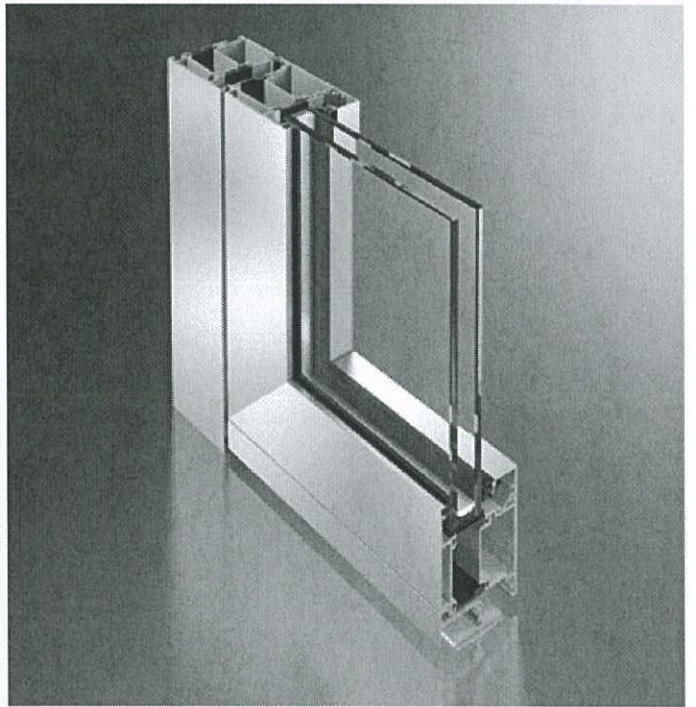
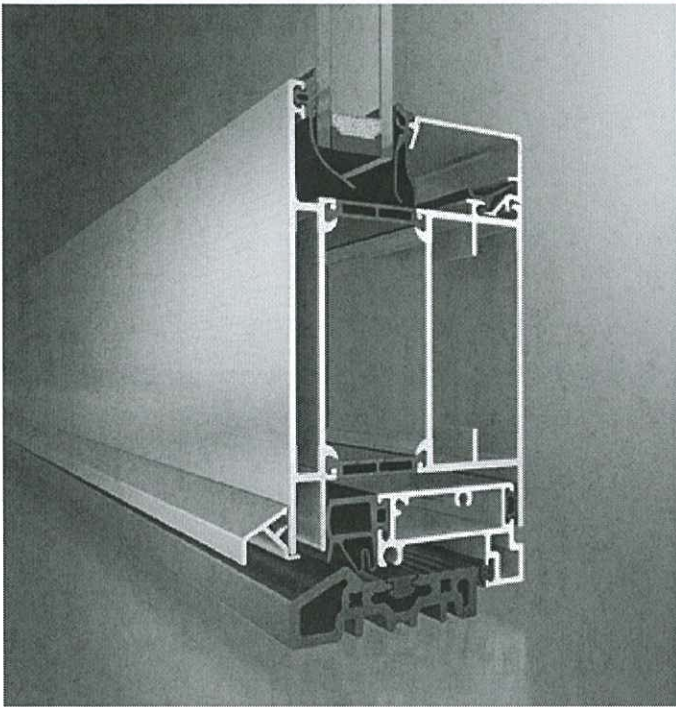
<input type="checkbox"/> 行政部	<input type="checkbox"/> 連附件	<input type="checkbox"/> 會計部	<input type="checkbox"/> 連附件	<input type="checkbox"/> 統籌部	<input type="checkbox"/> 連附件	<input type="checkbox"/> 工程部	<input type="checkbox"/> 連附件
<input type="checkbox"/> 採購部	<input type="checkbox"/> 連附件	<input type="checkbox"/> QS部	<input type="checkbox"/> 連附件	<input type="checkbox"/> 地盤管理	<input type="checkbox"/> 連附件	<input type="checkbox"/> 維修部	<input type="checkbox"/> 連附件

*發件人簽署:		*組別成員批核簽署:	
傳遞編號:		項目經理簽署:	

旭格ADS 65

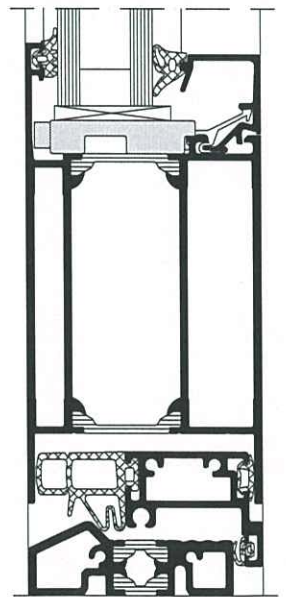


铝合金门系统
Aluminium Door System



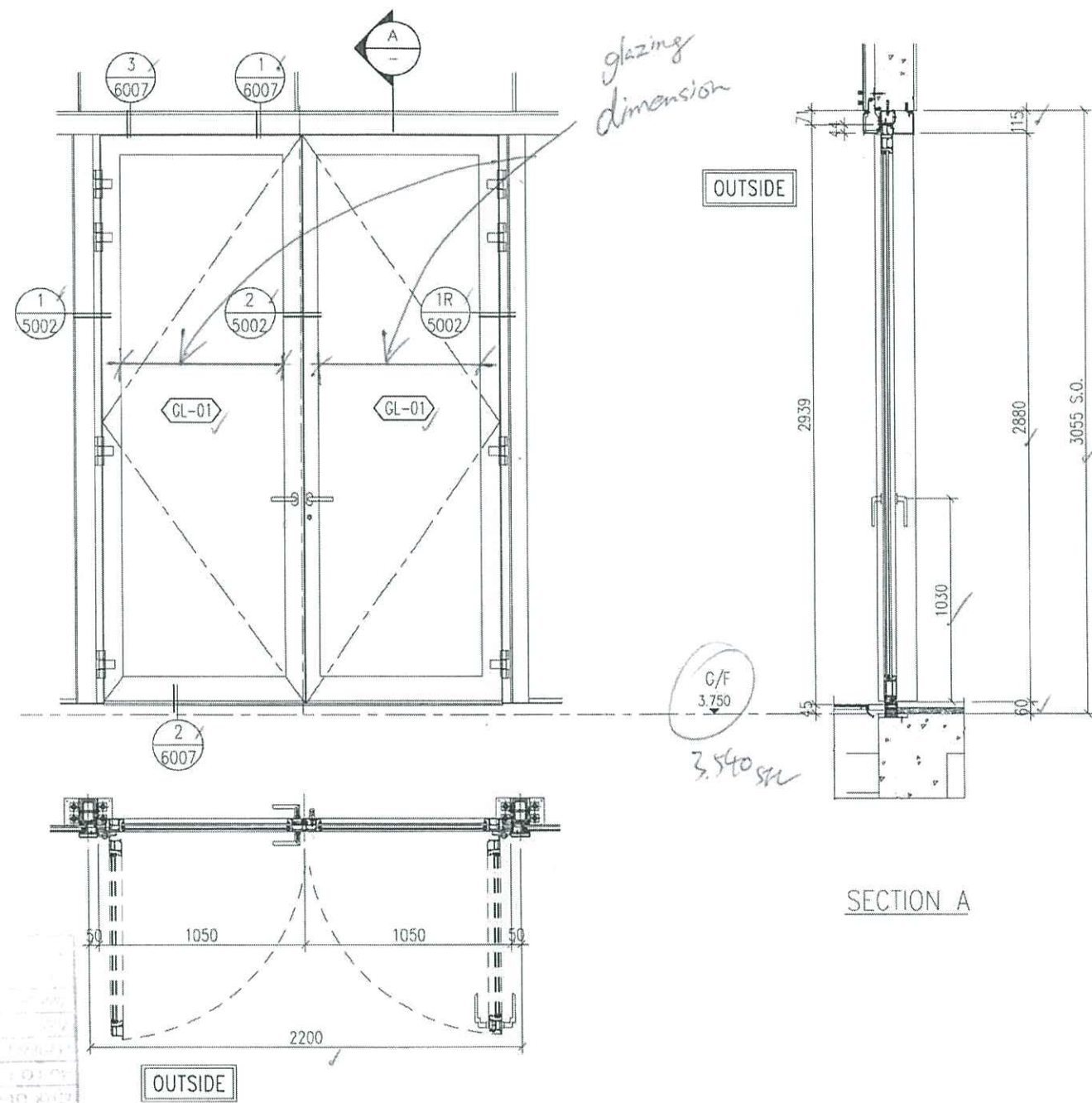
旭格ADS 65门系统提供经济型的入户门解决方案，并具有良好的隔热性能。凭借多样化的配置，系统还可作为多功能门使用，也可整合进建筑自动化安防管理系统。现代化的设计 – 如带有弧形扇轮廓的SL系列(弧线轮廓) – 为建筑外立面提供多种设计选择。

The Schüco Door ADS 65 is suitable for economical entrance solutions in conjunction with very good thermal insulation. Optional fittings allow it also to be used as a multi-purpose door and integrated in the building security and building management system. The modern design – for example, in the SL (Soft Line) version with rounded leaf contours – provides numerous design options for the building envelope.



旭格ADS 65门系统，比例1:2
Schüco Door ADS 65, scale 1:2

Schuco 門 ADS 65



双頁折道
 高 = 2880 + 300 = 3180 mm
 寬 = 2100 + 200 = 2300 mm

ELEVATIONS
(VIEWED FROM
THE OUTSIDE)

SECTION A

ARCHI+	
APPROVED	
APPROVED AS NOTED	
APPROVED AS NOTED & RESUBMIT	✓
RESUBMIT	
NO COMMENT	
REFER OTHER CONSULTANTS COMMENTS	
Reviewed for compliance with the design intent. Comments made shall apply to all similar conditions & details, not just the ones cited. The approval shall not be construed as relieving the contractor for compliance with the contract documents & requirements.	
Reviewed By	Date
SC	18/11/2022

WINDOW MARK :	FD 01
SECTION :	65mm ALUM. SECTION AL-06
QTY.	3 NOS.
LOCATION :	RESTAURANT NEW BUILDING (G/F)
GLAZING	GL-01 / 8mm THICK HEAT STRENGTHENED CLEAR GLASS (LOW-E) COATING ON SURFACE NO. 2 "XDNE0175-D" OR APPROVED EQUIVALENT + 12mm AIR GAP + 12mm THICK CLEAR TEMPERED GLASS INNER PANE INSULATED GLAZING UNIT (IGU)
REMARK :	AL-06 ALUMINIUM EXTRUSION/ CLADDING, 3-COAT BRONZE COLOUR FLUOROCARBON COATING METALLIC FINISH (PPG KPP17179 OR APPROVED EQUIVALENT)

B.D. REF :

CLIENT :
SUN HUNG KAI
 REAL ESTATE AGENCY LTD.
 42/F SUN HUNG KAI CENTRE, WANCHAI, HONGKONG

ARCHITECT :
ARCHI+
 ARCHIPLUS INTERNATIONAL (HK) LIMITED

MAIN CONTRACTOR :
Sanfield Building Contractors Ltd.
 Site : 11-29 Ashley Street & 303-308 Sheu Kei Wan Rd., Sheu Kei Wan, Hong Kong

STRUCTURAL ENGINEER :
SUN HUNG KAI
 ARCHITECTS AND ENGINEERS LTD.
 22/F SUN HUNG KAI CENTRAL, WANCHAI, HONGKONG

FACADE CONSULTANT :

NOTE :
 1. ALL DIMENSIONS ARE IN mm.
 2. ALL ELEVATIONS ARE VIEWED FROM OUTSIDE.
 3. ALL DIMENSIONS TO BE VERIFIED ON SITE BEFORE FABRICATION.

LEGEND :
 X1 --- DETAIL MARK NO.
 X001 --- REFER SHEET NO.
 1. F.F.L. --- FINISHED FLOOR LEVEL
 2. S.F.L. --- STRUCTURAL FLOOR LEVEL
 3. (R) --- REVERSED DETAIL

NO.	DATE	REVISED	BY

JOB NO. : J-860

PROJECT :
 PROPOSED DEVELOPMENT
 AT MA WAN PARK PHASE II, MA WAN
 (NOW KNOWN AS MA WAN LOT NO.684)
 TRANSFORMER ROOM

TITLE :
 FOLDING DOOR SCHEDULE

DATE : 8-10-22 SCALE : 1:30(A3)

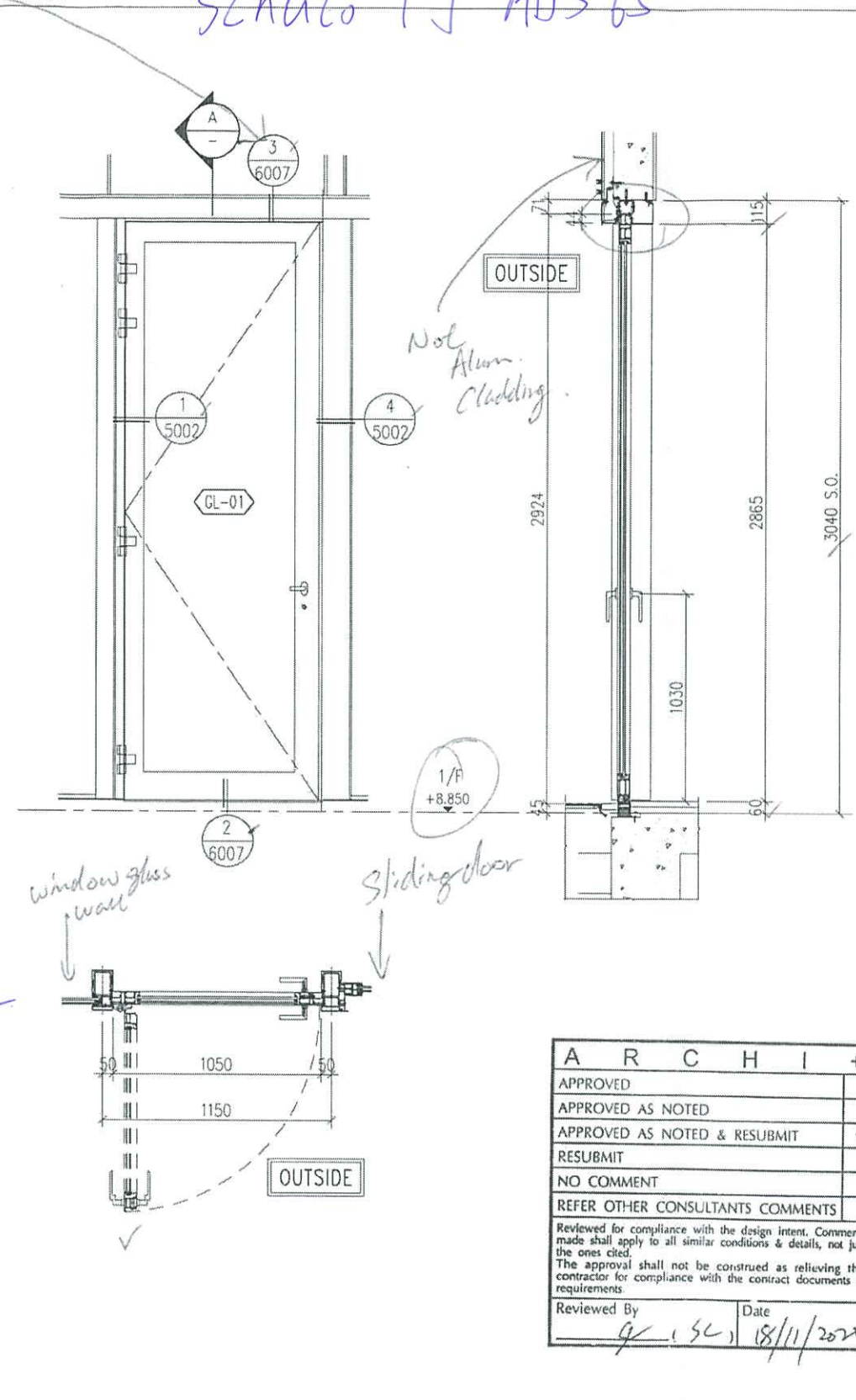
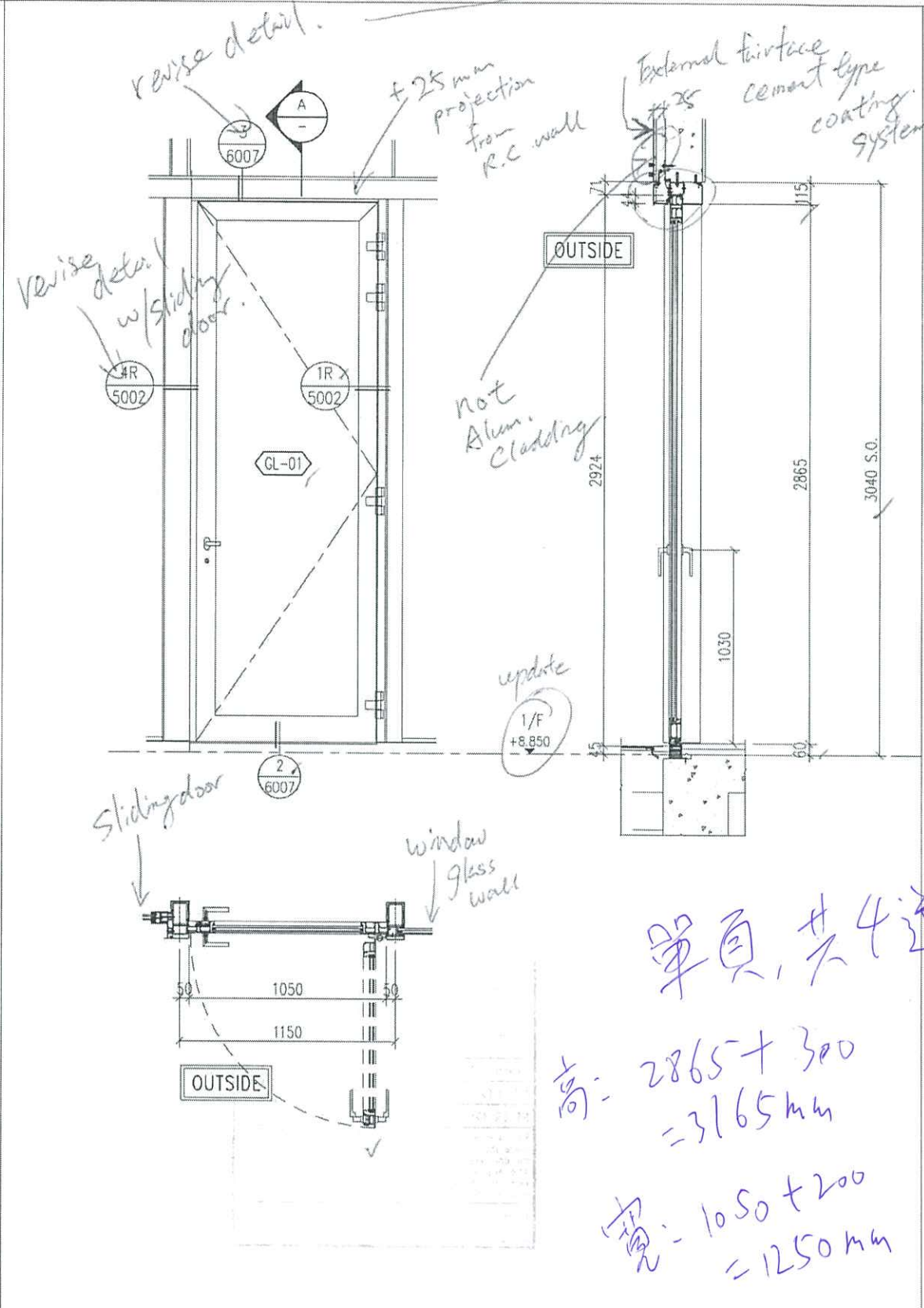
DRAWN BY : Asing CHECKED BY :

美時鋁質有限公司
MIDI ALUMINIUM FABRICATOR LTD.
 Units 6-8, Sunray Industrial Centre, 1/F
 610 Cha Kwo Ling Road, Kowloon
 Tel: 23489211-4 Fax: (852) 27727666

DWG NO. : J860-IW-2007 REV. : -

Schuco P9 ADS 65

ELEVATIONS
(VIEWED FROM
THE OUTSIDE)



單頁, 共4道
 高: $2865 + 300 = 3165 \text{ mm}$
 寬: $1050 + 200 = 1250 \text{ mm}$

A R C H I +	
APPROVED	
APPROVED AS NOTED	
APPROVED AS NOTED & RESUBMIT	✓
RESUBMIT	
NO COMMENT	
REFER OTHER CONSULTANTS COMMENTS	
Reviewed for compliance with the design intent. Comments made shall apply to all similar conditions & details, not just the ones cited. The approval shall not be construed as relieving the contractor for compliance with the contract documents & requirements.	
Reviewed By	Date
<i>(Signature)</i>	18/11/2022

WINDOW MARK :	FD 02	FD 02R
SECTION :	65mm ALUM. SECTION AL-05	65mm ALUM. SECTION AL-06
QTY.	1 NO.	1 NO.
LOCATION :	RESTAURANT NEW BUILDING (1/F)	RESTAURANT NEW BUILDING (1/F)
GLAZING	GL-01 8mm THICK HEAT STRENGTHENED CLEAR GLASS (LOW-E) COATING ON SURFACE NO. 2 "XDNE0175-D" OR APPROVED EQUIVALENT + 12mm AIR GAP + 12mm THICK CLEAR TEMPERED GLASS INNER PANE INSULATED GLAZING UNIT (IGU)	
REMARK :	AL-06 ALUMINIUM EXTRUSION/ CLADDING, 3-COAT BRONZE COLOUR FLUOROCARBON COATING METALLIC FINISH (PPG KPP17179 OR APPROVED EQUIVALENT)	

B.D. REF :

CLIENT : **SUN HUNG KAI REAL ESTATE AGENCY LTD.**
42/F SUN HUNG KAI CENTRE, WANCHAI, HONGKONG

ARCHITECT : **ARCHI+ ARCHIPLUS INTERNATIONAL (HK) LIMITED**

MAIN CONTRACTOR : **新輝建築有限公司 Sanfield Building Contractors Ltd.**
Site : 11-29 Factory Street & 303-309 Shek Koi Road, Sheu Koi Wan, Hong Kong

STRUCTURAL ENGINEER : **SUN HUNG KAI ARCHITECTS AND ENGINEERS LTD.**
22/F SUN HUNG KAI CENTRE, WANCHAI, HONGKONG

FAÇADE CONSULTANT :

NOTE :
 1. ALL DIMENSIONS ARE IN mm.
 2. ALL ELEVATIONS ARE VIEWED FROM OUTSIDE.
 3. ALL DIMENSIONS TO BE VERIFIED ON SITE BEFORE FABRICATION.

LEGEND :
 (X1) — DETAIL MARK NO.
 (X001) — REFER SHEET NO.
 1. F.F.L. — FINISHED FLOOR LEVEL
 2. S.F.L. — STRUCTURAL FLOOR LEVEL
 3. (R) — REVERSED DETAIL

NO.	DATE	REVISED	BY

JOB NO. : J-860

PROJECT : PROPOSED DEVELOPMENT AT MA WAN PARK PHASE II, MA WAN (NOW KNOWN AS MA WAN LOT NO.684) TRANSFORMER ROOM

TITLE : FOLDING DOOR SCHEDULE

DATE : 8-10-22 SCALE : 1:30(A3)

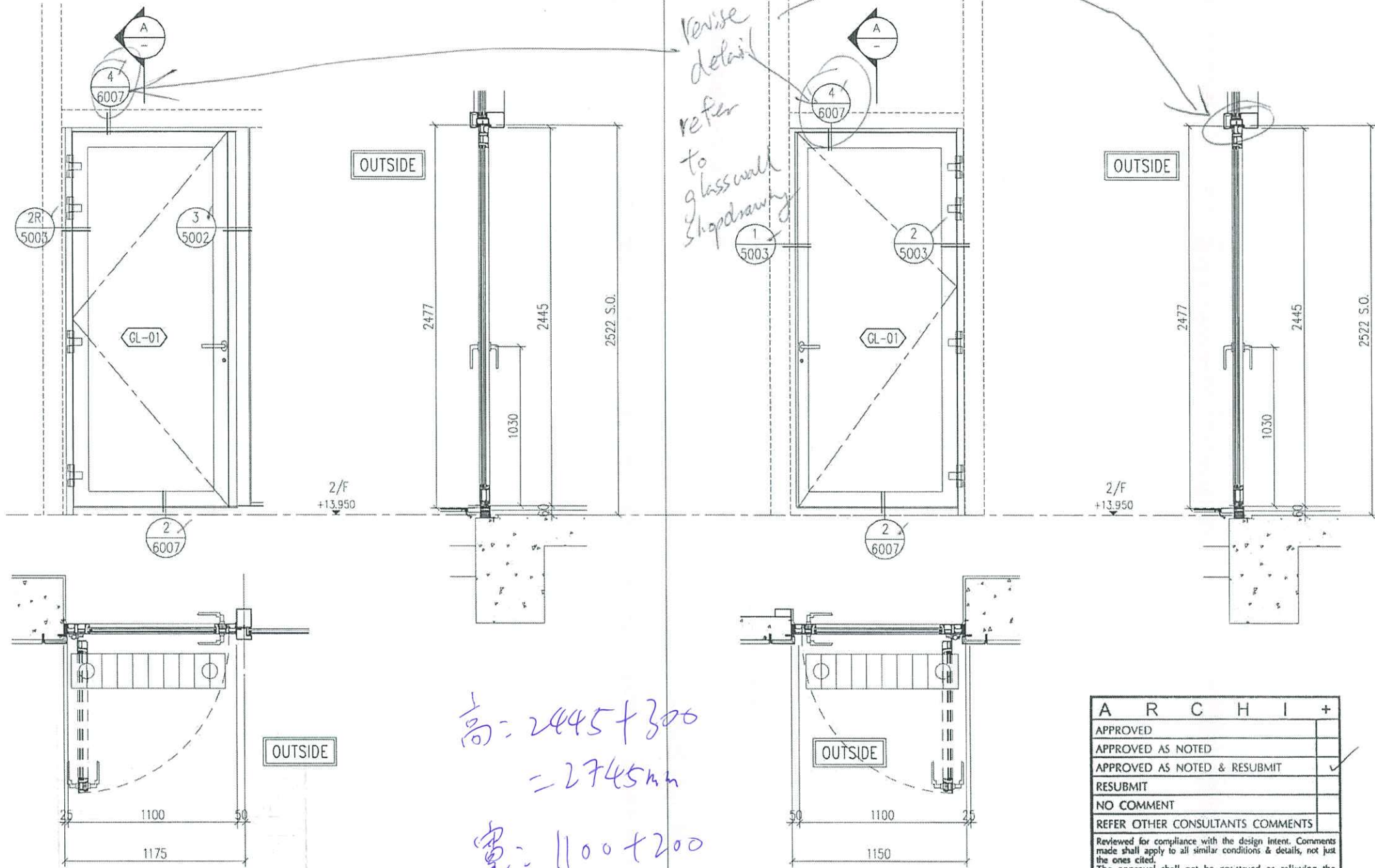
DRAWN BY : Asing CHECKED BY :

美特鋁質有限公司
MIDI ALUMINIUM FABRICATOR LTD.
 Units 6-8, Sunray Industrial Centre, 1/F
 610 Cha Kwo Ling Road, Kowloon
 Tel: 23489211-4 Fax: (852) 2727666

DWG NO. : JB60-IW-2008 REV. : -

Schuco PD ADS 65

ELEVATIONS
(VIEWED FROM
THE OUTSIDE)



高: 2445 + 300
= 2745mm
寬: 1100 + 200
= 1300mm

ARCHI+	
APPROVED	
APPROVED AS NOTED	
APPROVED AS NOTED & RESUBMIT	✓
RESUBMIT	
NO COMMENT	
REFER OTHER CONSULTANTS COMMENTS	
Reviewed for compliance with the design intent. Comments made shall apply to all similar conditions & details, not just the ones cited. The approval shall not be construed as relieving the contractor for compliance with the contract documents & requirements.	
Reviewed By: <i>[Signature]</i>	Date: 18/11/2022

B.D. REF :

CLIENT :

 SUN HUNG KAI REAL ESTATE AGENCY LTD.
 42/F SUN HUNG KAI CENTRE, WANCHAI, HONGKONG

ARCHITECT :

 ARCHIPLUS INTERNATIONAL (HK) LIMITED

MAIN CONTRACTOR :

 新輝建築有限公司
 Sanfield Building Contractors Ltd.
 5th / 11-25 Factory Street & 381-379 Shek Ai Wan Rd., Shek Ai Wan, Hong Kong

STRUCTURAL ENGINEER :

 SUN HUNG KAI ARCHITECTS AND ENGINEERS LTD.
 22/F SUN HUNG KAI CENTRE, WANCHAI, HONGKONG

FACADE CONSULTANT:

NOTE :
 1. ALL DIMENSIONS ARE IN mm.
 2. ALL ELEVATIONS ARE VIEWED FROM OUTSIDE.
 3. ALL DIMENSIONS TO BE VERIFIED ON SITE BEFORE FABRICATION.

LEGEND :
 XI — DETAIL MARK NO.
 X001 — REFER SHEET NO.
 1. F.F.L. -- FINISHED FLOOR LEVEL
 2. S.F.L. -- STRUCTURAL FLOOR LEVEL
 3. (R) -- REVERSED DETAIL

NO.	DATE	REVISED	BY

JOB NO. : J-860
 PROJECT : PROPOSED DEVELOPMENT AT MA WAN PARK PHASE II, MA WAN (NOW KNOWN AS MA WAN LOT NO.684) TRANSFORMER ROOM
 TITLE : FOLDING DOOR SCHEDULE

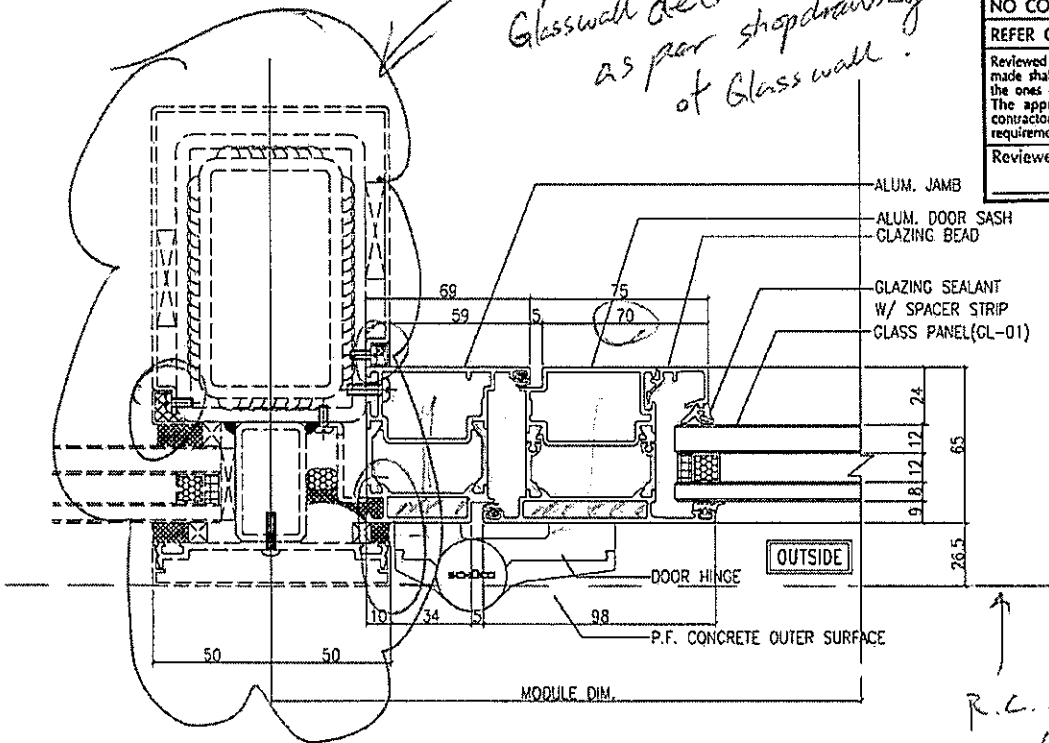
DATE : 8-10-22 SCALE : 1:30(A3)
 DRAWN BY : Asing CHECKED BY :

美特鋁質有限公司
 MIDI ALUMINIUM FABRICATOR LTD.
 Units 6-8, Sunray Industrial Centre, 1/F
 610 Cha Kwo Ling Road, Kowloon
 Tel: 23489211-4 Fax: (852) 27272666
 DWG NO. : J860-IW-2009 REV. : -

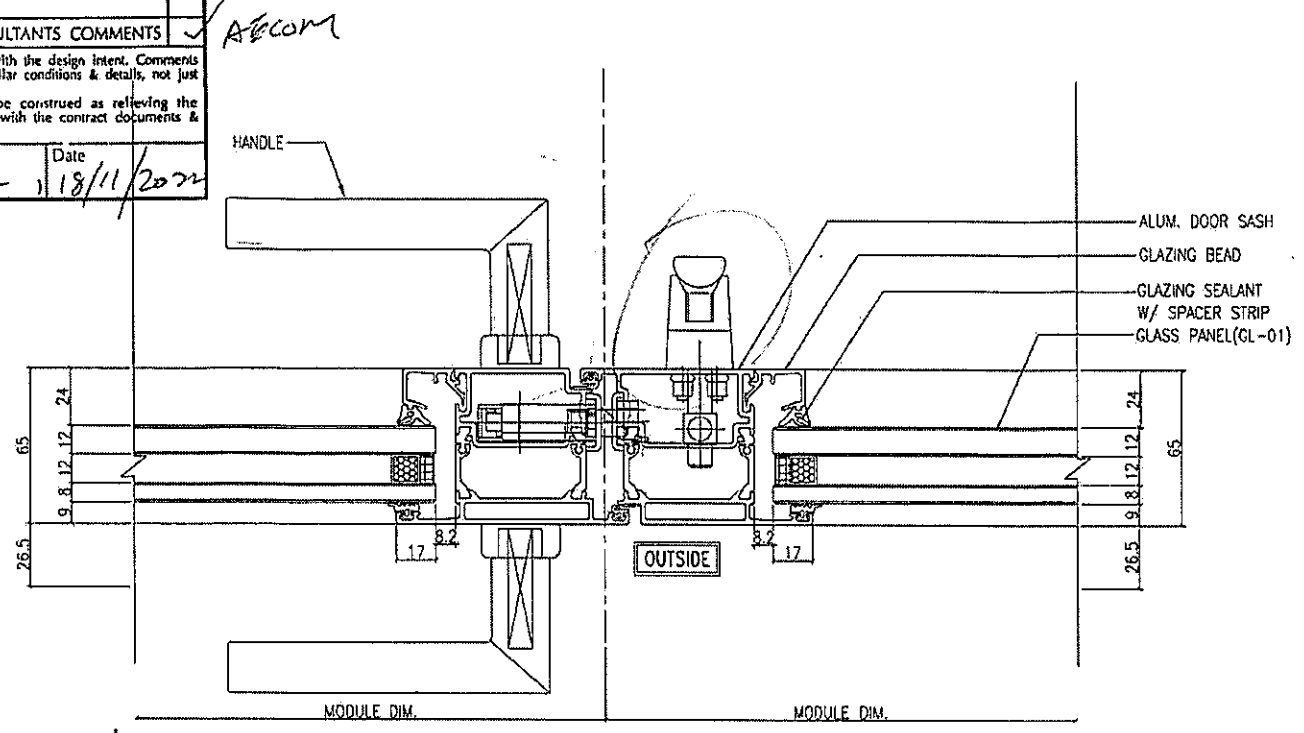
WINDOW MARK :		
SECTION :	65mm ALUM. SECTION AL-06 ✓	65mm ALUM. SECTION AL-06 ✓
QTY.	1 NO.	1 NO.
LOCATION :	SEATING AREA / NEW BUILDING (2/F)	SEATING AREA / NEW BUILDING (2/F)
GLAZING	GL-01 8mm THICK HEAT STRENGTHENED CLEAR GLASS (LOW-E) COATING ON SURFACE NO. 2 "XDNE0175-D" OR APPROVED EQUIVALENT + 12mm AIR GAP + 12mm THICK CLEAR TEMPERED GLASS INNER PANE INSULATED GLAZING UNIT (IGU)	
REMARK :	AL-06 ALUMINIUM EXTRUSION/ CLADDING, 3-COAT BRONZE COLOUR FLUOROCARBON COATING METALLIC FINISH (PPG KPP17179 OR APPROVED EQUIVALENT)	

Comment ①
 *detail not match.
 update/incorporate
 Glasswall detail
 as per shopdrawing
 of Glass wall.

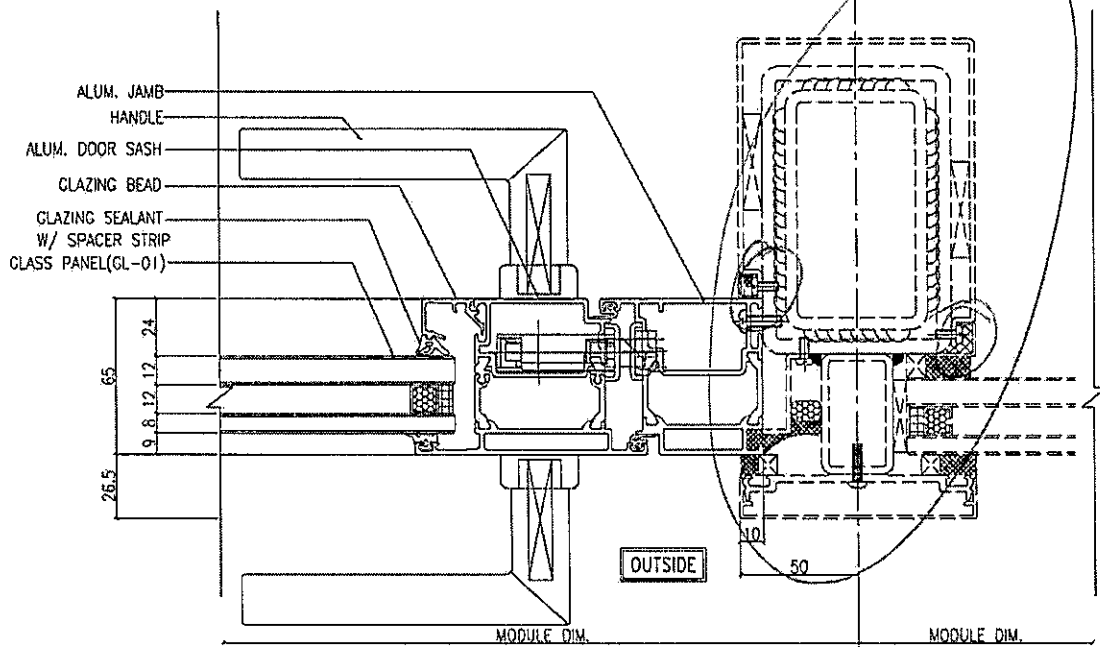
ARCHI+	
APPROVED	
APPROVED AS NOTED	
APPROVED AS NOTED & RESUBMIT	✓
RESUBMIT	
NO COMMENT	
REFER OTHER CONSULTANTS COMMENTS	✓
Reviewed for compliance with the design intent. Comments made shall apply to all similar conditions & details, not just the ones cited. The approval shall not be construed as relieving the contractor of compliance with the contract documents & requirements.	
Reviewed By	Date
GC	18/11/2024



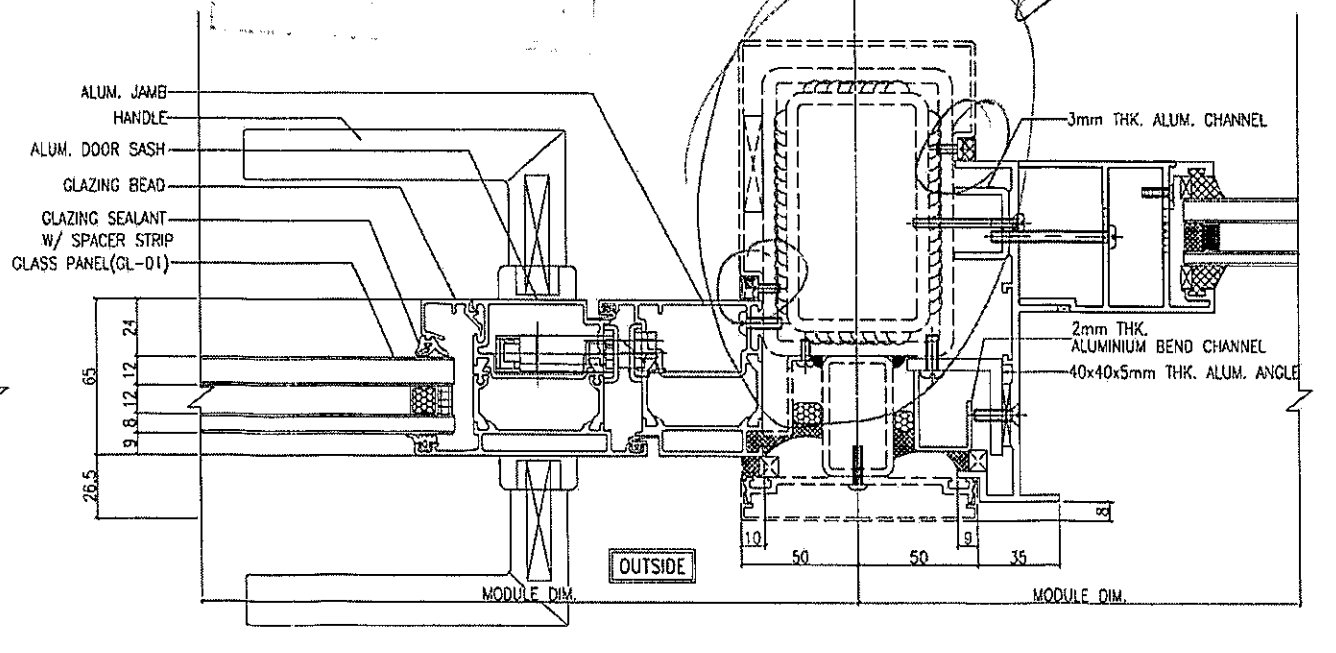
1 TYPICAL DETAIL FOR F.D. DOOR
 5002



2 TYPICAL DETAIL FOR F.D. DOOR
 5002



3 TYPICAL DETAIL FOR F.D. DOOR
 5002



4 TYPICAL DETAIL FOR F.D. DOOR
 5002

B.O. REF :

CLIENT :
SUN HUNG KAI
 REAL ESTATE AGENCY LTD.
 22/F SUN HUNG KAI CENTRE, WANCHAI, HONGKONG

ARCHITECT :
ARCHI+
 ARCHIPLUS INTERNATIONAL (HK) LIMITED

MAIN CONTRACTOR :
新輝建築有限公司
 Sanfield Building Contractors Ltd.
 201-11-20 Fooking Street A, 303-308 Shek Koi Road, Shek Koi Wai, Hong Kong

STRUCTURAL ENGINEER :
SUN HUNG KAI
 ARCHITECTS AND ENGINEERS LTD.
 22/F SUN HUNG KAI CENTRE, WANCHAI, HONGKONG

FAÇADE CONSULTANT:

NOTE:
 1. ALL DIMENSIONS ARE IN mm.
 2. ALL ELEVATIONS ARE VIEWED FROM OUTSIDE.
 3. ALL DIMENSIONS TO BE VERIFIED ON SITE BEFORE FABRICATION.

LEGEND:
 X1 — DETAIL MARK NO.
 X001 — REFER SHEET NO.

1. F.F.L. — FINISHED FLOOR LEVEL
 2. S.F.L. — STRUCTURAL FLOOR LEVEL
 3. (R) — REVERSED DETAIL

NO.	DATE	REVISED	BY
-----	------	---------	----

JOB NO. : J-860
 PROJECT : PROPOSED DEVELOPMENT
 AT MA WAN PARK PHASE II, MA WAN
 (NOW KNOWN AS MA WAN LOT NO.684)
 TRANSFORMER ROOM

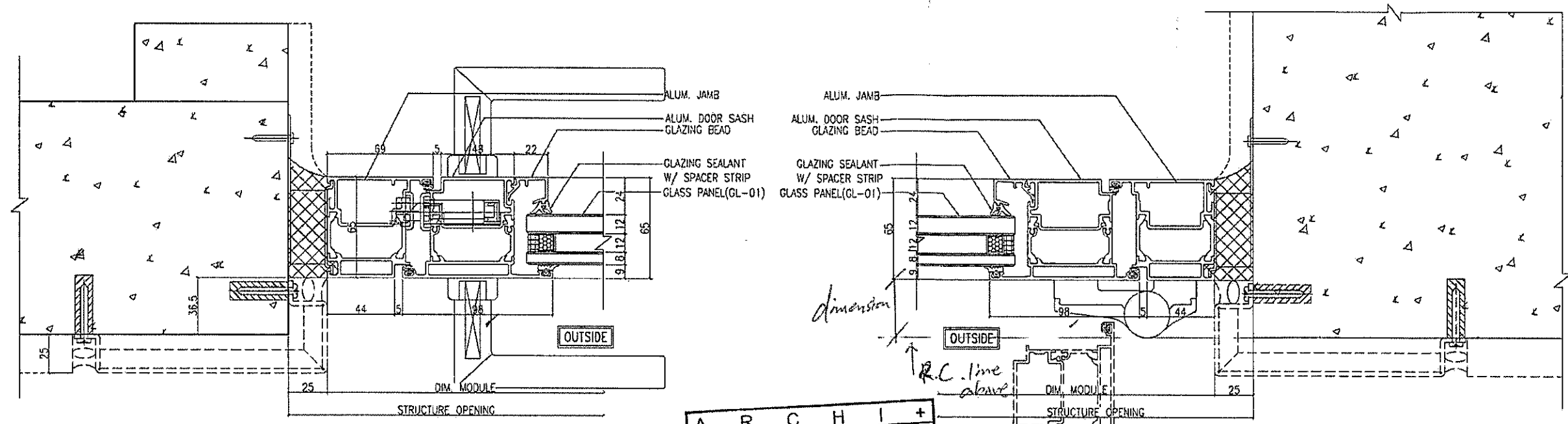
TITLE : TYPICAL DETAIL

DATE : 8-10-22 SCALE : 1:3(A3)

DRAWN BY : Asing CHECKED BY :

英特鋁質有限公司
 MIDI ALUMINIUM FABRICATOR LTD.
 Units 6-8, Sunray Industrial Centre, 1/F
 610 Cha Kwo Ling Road, Kowloon
 Tel:23489211-4 Fax:(852)27727886

DWG NO. : J860-W-5002 REV. : -



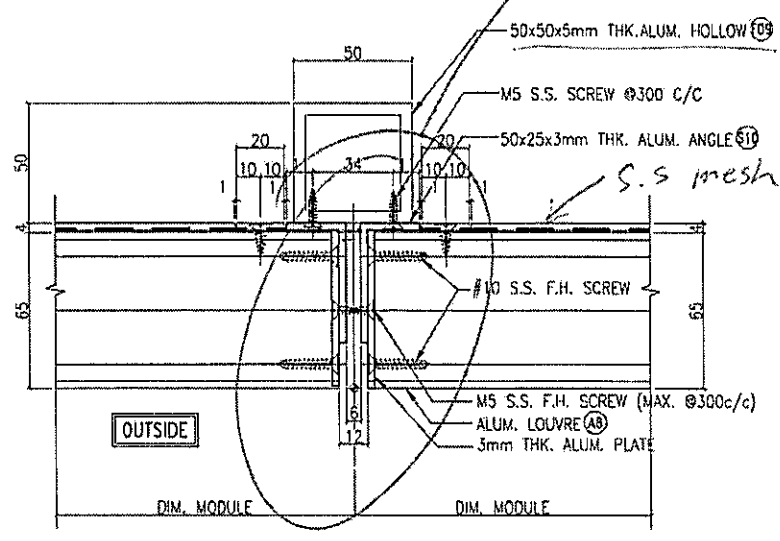
1 TYPICAL DETAIL FOR F.D. DOOR
5003

2 TYPICAL DETAIL FOR F.D. DOOR
5003

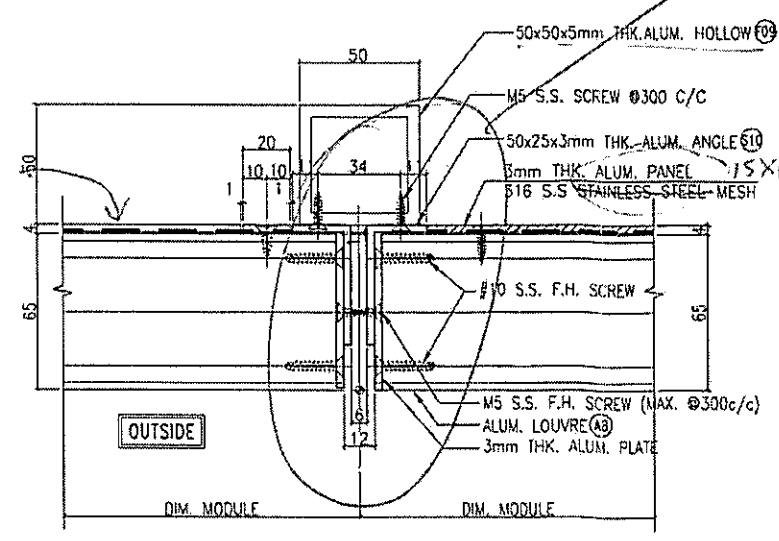
ARCHI+	
APPROVED	
APPROVED AS NOTED	
APPROVED AS NOTED & RESUBMIT	
RESUBMIT	
NO COMMENT	
REFER OTHER CONSULTANTS COMMENTS	
Reviewed for compliance with the design intent. Comments made shall apply to all similar conditions & details, not just the ones cited. The approval shall not be construed as relieving the contractor for compliance with the contract documents & requirements.	
Reviewed By	Date
<i>Y. S. C.</i>	18/11/2022

dimension
R.C. line above

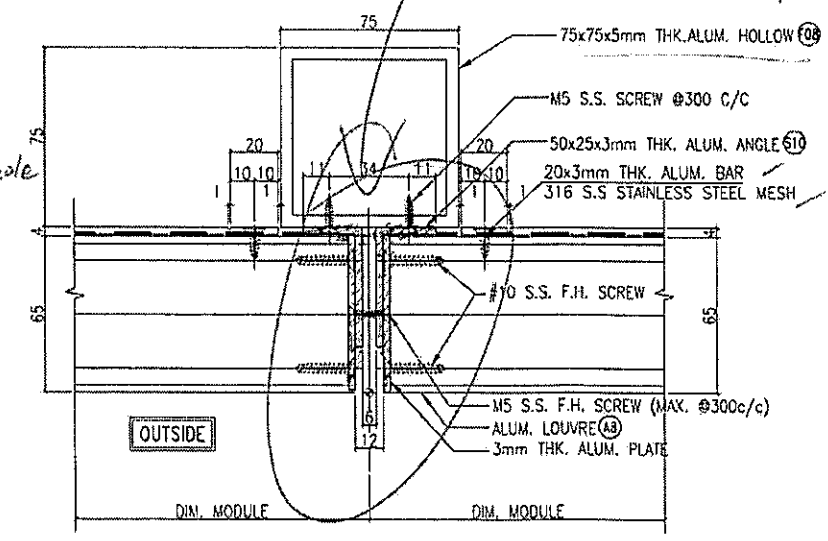
Comment Refer to (A) - use a single angle instead of two pieces.



3 TYPICAL DETAIL For Alum. Louvre
5003



4 TYPICAL DETAIL For Alum. Louvre
5003



5 TYPICAL DETAIL For Alum. Louvre
5003
(AW-07) / (AW-17)

B.D. REF :

CLIENT :
SUN HUNG KAI
REAL ESTATE AGENCY LTD.
42/F SUN HUNG KAI CENTRE, WANCHAI, HONGKONG

ARCHITECT :
ARCHI+
ARCHIPLUS INTERNATIONAL (HK) LIMITED

MAIN CONTRACTOR :
新輝建築有限公司
Sanfield Building Contractors Ltd.
Shek 11-22 Factory Street, & 303-305 Shek Kai Street, Shek Tai Wai, Hong Kong

STRUCTURAL ENGINEER :
SUN HUNG KAI
ARCHITECTS AND ENGINEERS LTD.
22/F SUN HUNG KAI CENTRE, WANCHAI, HONGKONG

FAÇADE CONSULTANT:

NOTE:
1. ALL DIMENSIONS ARE IN mm.
2. ALL ELEVATIONS ARE VIEWED FROM OUTSIDE.
3. ALL DIMENSIONS TO BE VERIFIED ON SITE BEFORE FABRICATION.

LEGEND:
X1 - DETAIL MARK NO.
X003 - REFER SHEET NO.

1. F.F.L. --- FINISHED FLOOR LEVEL
2. S.F.L. -- STRUCTURAL FLOOR LEVEL
3. (A) -- REVERSED DETAIL

NO.	DATE	REVISED	BY

JOB NO. : J-860

PROJECT : PROPOSED DEVELOPMENT AT MA WAN PARK PHASE II, MA WAN (NOW KNOWN AS MA WAN LOT NO.684) TRANSFORMER ROOM

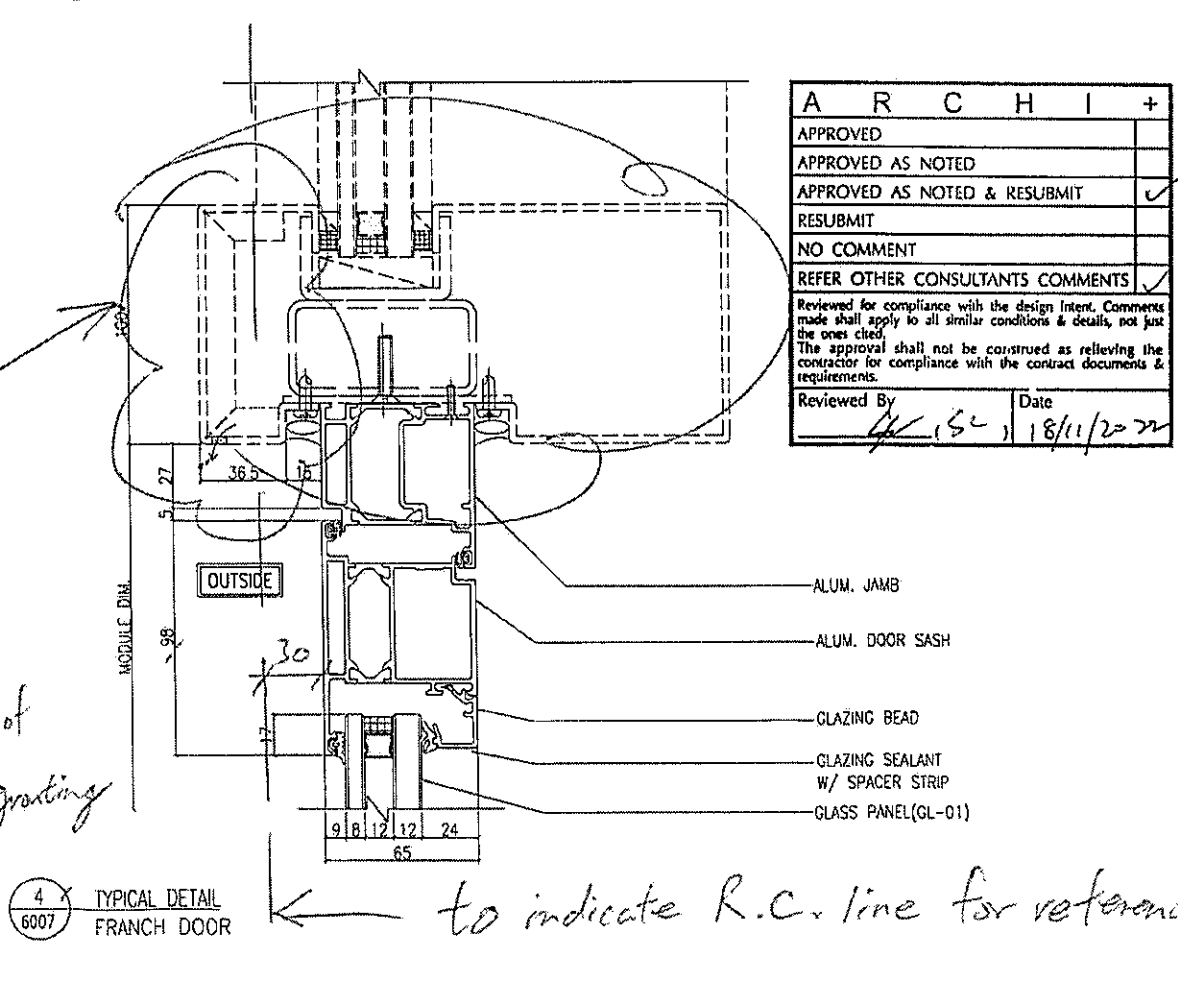
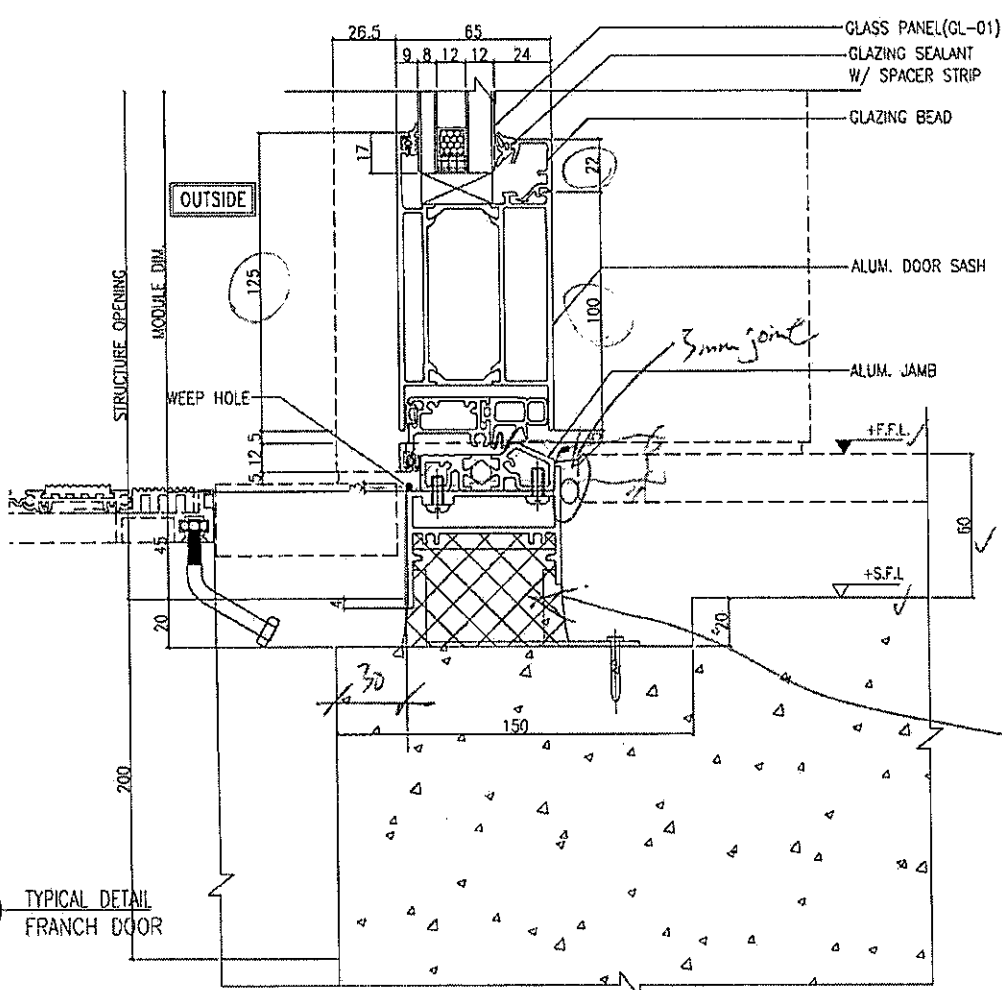
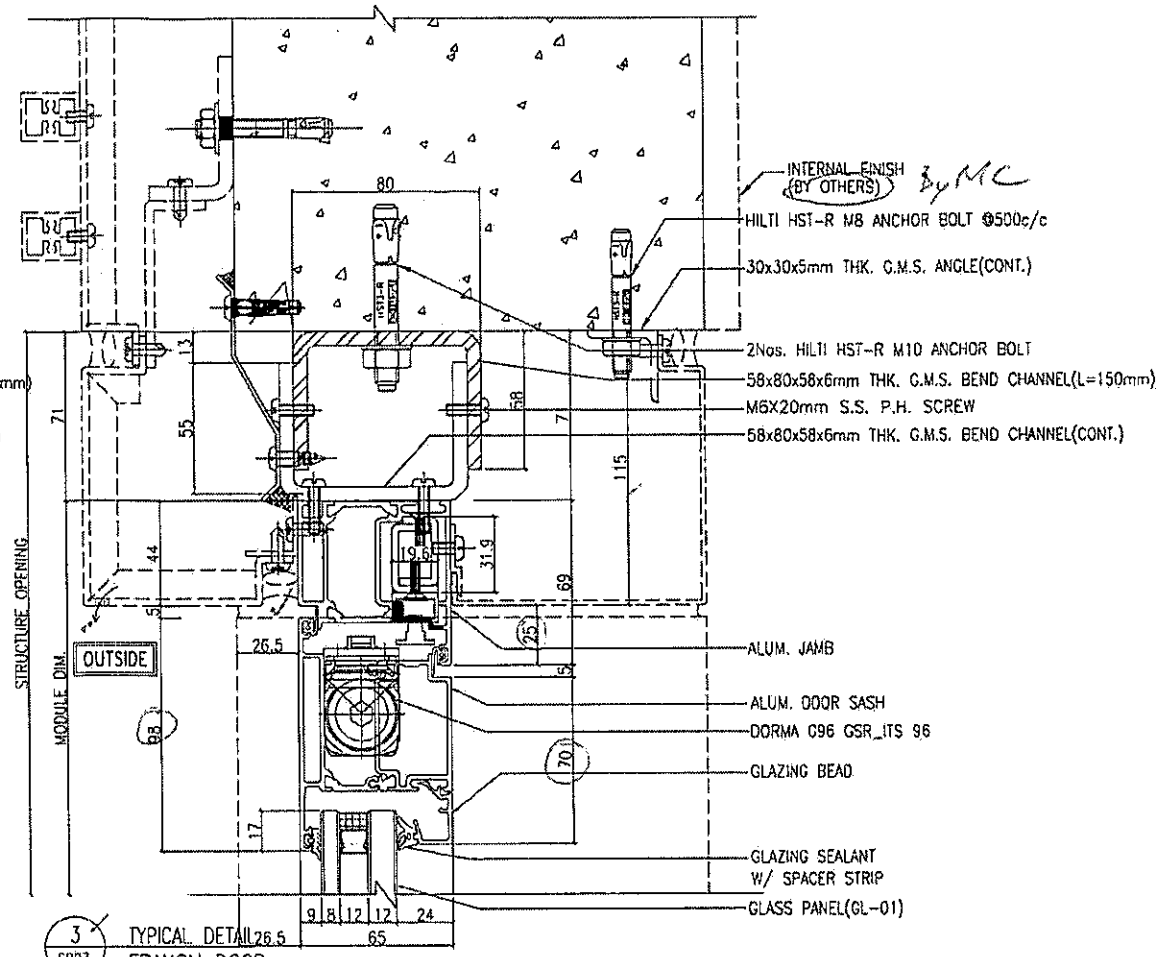
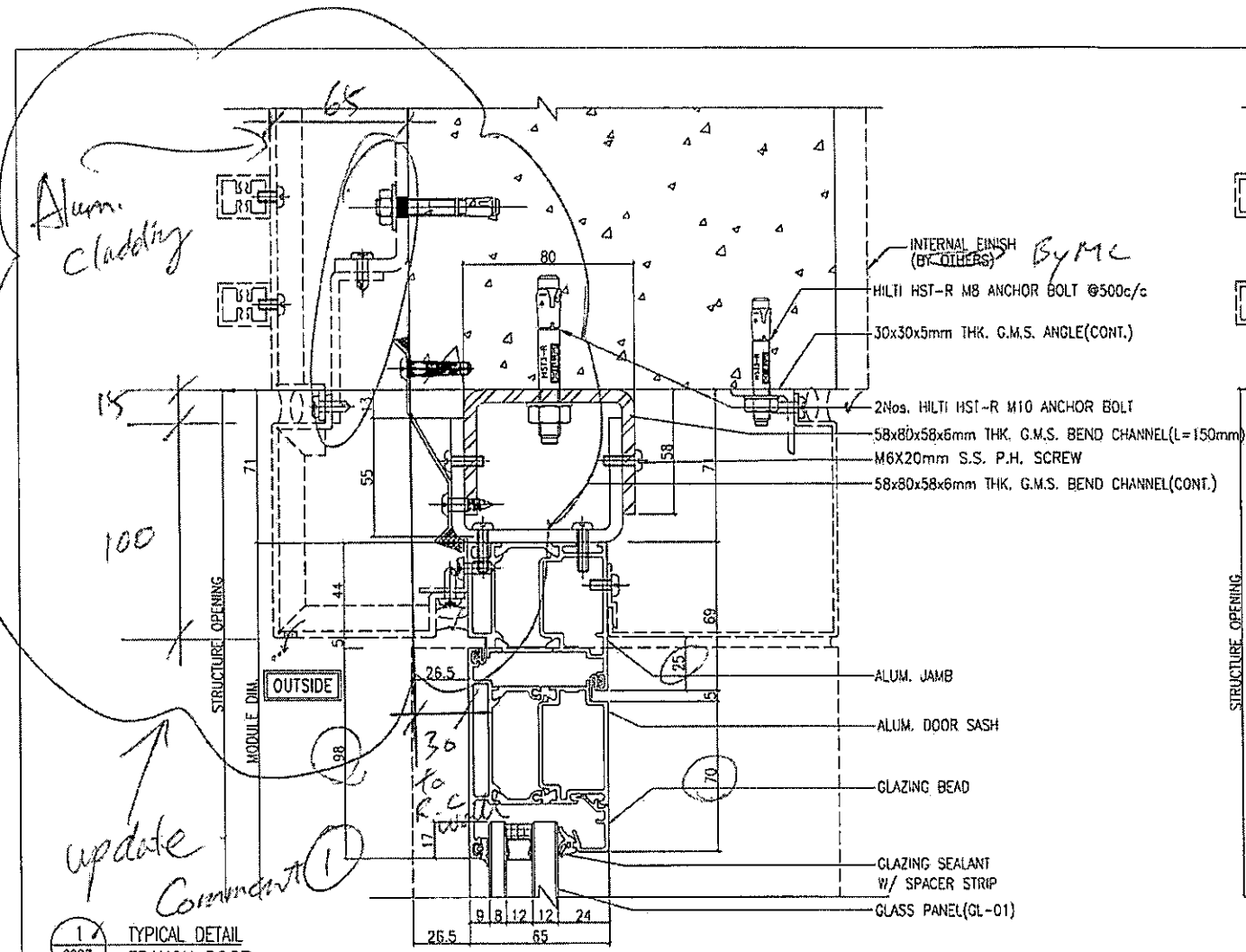
TITLE : TYPICAL DETAIL

DATE : 8-10-22 SCALE : 1:3(A3)

DRAWN BY : Asing CHECKED BY :

英特鋁質有限公司
MIDI ALUMINIUM FABRICATOR LTD.
Units 6-8, Sunray Industrial Centre, 1/F
610 Cha Kwo Ling Road, Kowloon
Tel: 23489211-4 Fax: (852) 27727556

DWG NO. : J860-IW-5003 REV. : -



ARCHI+	
APPROVED	
APPROVED AS NOTED	
APPROVED AS NOTED & RESUBMIT	✓
RESUBMIT	
NO COMMENT	
REFER OTHER CONSULTANTS COMMENTS	✓
Reviewed for compliance with the design intent. Comments made shall apply to all similar conditions & details, not just the ones cited. The approval shall not be construed as relieving the contractor for compliance with the contract documents & requirements.	
Reviewed By	Date
SL (SC)	18/11/2022

B.D. REF :

CLIENT :
SUN HUNG KAI REAL ESTATE AGENCY LTD.
 42/F SUN HUNG KAI CENTRE, WANCHAI, HONGKONG

ARCHITECT :
ARCHI+
 ARCHIPLUS INTERNATIONAL (HK) LIMITED

MAIN CONTRACTOR :
新輝建築有限公司
Sarfield Building Contractors Ltd.
 24-11-29 Locky Street & 33-39 Shek Tai Ave, Shek Tai Mo, Hong Kong

STRUCTURAL ENGINEER :
SUN HUNG KAI ARCHITECTS AND ENGINEERS LTD.
 22/F SUN HUNG KAI CENTRE, WANCHAI, HONGKONG

FAÇADE CONSULTANT :

NOTE :
 1. ALL DIMENSIONS ARE IN mm.
 2. ALL ELEVATIONS ARE VIEWED FROM OUTSIDE.
 3. ALL DIMENSIONS TO BE VERIFIED ON SITE BEFORE FABRICATION.

LEGEND :
 (X1) DETAIL MARK NO.
 (X001) REFER SHEET NO.

1. F.F.L. -- FINISHED FLOOR LEVEL
 2. S.F.L. -- STRUCTURAL FLOOR LEVEL
 3. (R) -- REVERSED DETAIL

NO.	DATE	REVISED	BY

JOB NO. : J-860
 PROJECT : PROPOSED DEVELOPMENT AT MA WAN PARK PHASE II, MA WAN (NOW KNOWN AS MA WAN LOT NO.684) TRANSFORMER ROOM
 TITLE : TYPICAL DETAIL

DATE : 8-10-22 SCALE : 1:5(A3)
 DRAWN BY : Asing CHECKED BY :

美特鋁質有限公司
MIDI ALUMINIUM FABRICATOR LTD.
 Units 6-8, Sunray Industrial Centre, 1/F
 810 Cho Kwo Ling Road, Kowloon
 Tel:23489211-4 Fax:(852)27727866

QWC NO. : J860-IW-6007 REV. : -