



工程指示 / 要求簡箋 ENGINEER INSTRUCTIONS(E.I.)

工程指示編號:	EI- 5534 / 22	修改版本:	-
	HK- 2361 / 22		
工程編號:	J 860	工程名稱:	馬灣
收件人:	生統	發件人:	jimmy wong
工程項目:	提供Siegenia門五金及色板	日期:	22/12/2022

<input checked="" type="checkbox"/> 原合約工程包	<input type="checkbox"/> 原合約工程加 / 減賬 QT-	<input type="checkbox"/> 新工程報價 QT-
--	--	------------------------------------

信件批核號碼/圖紙參考編號:	批核模具圖紙編號:
客戶指示附件:	管理內部批簽署:

<input type="checkbox"/> 初步鋁料 B.M.	<input type="checkbox"/> 加工拆圖, 然後生產	<input type="checkbox"/> 尺寸表
<input type="checkbox"/> 正式鋁料 B.M.	<input type="checkbox"/> 技術上資料/指示	<input type="checkbox"/> 報價
<input type="checkbox"/> 配件 B.M.	<input checked="" type="checkbox"/> 樣辦或貨品說明書	<input type="checkbox"/> 分判合約
<input type="checkbox"/> 其他:		

內容:

提供施吉利亞趟門 HS-Portal 300LM五金配件及色板作樣板用.

- 全部施吉利亞趟門 HS-Portal 300LM五金 X 1 (把手前後, 門轆, 門鎖盒/多點鎖,等) 不要門頂膠.
- 旭格調較色板. 啡色 提供4塊. (附寄色板供配色)
1+11頁

施吉利亞

完成上列要求日期: 10/01/2023

國內

<input type="checkbox"/> 生產技術總監	<input type="checkbox"/> 連附件	<input type="checkbox"/> 技術部	<input type="checkbox"/> 連附件	<input type="checkbox"/> 生產部	<input type="checkbox"/> 連附件
<input type="checkbox"/> 採購部	<input type="checkbox"/> 連附件	<input checked="" type="checkbox"/> 生產統籌部	<input checked="" type="checkbox"/> 連附件	<input type="checkbox"/> 報關組	<input type="checkbox"/> 連附件
<input type="checkbox"/> 質檢部	<input type="checkbox"/> 連附件	<input type="checkbox"/> 會計部	<input type="checkbox"/> 連附件	<input type="checkbox"/> 機械設計部	<input type="checkbox"/> 連附件
<input type="checkbox"/> 香港辦	<input type="checkbox"/> 連附件	<input type="checkbox"/> 其他: 連色板, 啡色			

香港

<input type="checkbox"/> 行政部	<input type="checkbox"/> 連附件	<input type="checkbox"/> 會計部	<input type="checkbox"/> 連附件	<input type="checkbox"/> 統籌部	<input type="checkbox"/> 連附件	<input type="checkbox"/> 工程部	<input type="checkbox"/> 連附件
<input type="checkbox"/> 採購部	<input type="checkbox"/> 連附件	<input type="checkbox"/> QS部	<input type="checkbox"/> 連附件	<input type="checkbox"/> 地盤管理	<input type="checkbox"/> 連附件	<input type="checkbox"/> 維修部	<input type="checkbox"/> 連附件

*發件人簽署:		*組別成員批核簽署:	
傳遞編號:		項目經理簽署:	



新輝建築有限公司
Sanfield Building Contractors Ltd.

新鴻基地產集團成員
A MEMBER OF SUN HUNG KAI PROPERTIES GROUP



Project : **Ma Wan Park Phase 2**

Midi JS60

TECHNICAL SUBMISSION FORM

"Siegenia" sliding door

From : Chan Yun Kan Simon To : Archiplus International (HK) Limited
Date : 13th October 2022
Our Ref : MWP(P2)/TSF-239 Attn.: Mr. Eddie Li / Mr. Samuel Lam

We would like to submit the following documents for your comment and approval.

Subject: Material Submission of Sliding Door Hardware for the New Building			
Submission Date	Expected Approval Date	Sub-contractor	Approval By
13 th October 2022	27 th October 2022	MIDI	Archiplus
Remarks:			
<p>Comment: Referring to the your submission which we received on 18 Nov 2022, we examined and comment as listed below:-</p> <ol style="list-style-type: none"> We have no adverse comment on your submitted proprietary product - 'Siegenia' HS-Portal 300LM for sliding door hardware; Please carry out the full set ironmongery (including handle, key lock, etc. as stated in tender drawings) sample submission for review; and To check together with sliding door shop drawing ensuring the ironmongery and the accessories are compatible with the door frame without protruding to the glass panel. <p>Please be noted that the principal comment as mentioned above was given to you/your office and your sub-contractor at the ad-hoc meeting on 28 Oct 2022 and the full set of ironmongery samples submission was requested to submit via whatapps on 29 Nov 2022.</p>		<p>Reply: <input checked="" type="checkbox"/> Archiplus <input type="checkbox"/> <input type="checkbox"/> <input type="checkbox"/> Other: _____</p> <p>Sample w/ ironmongery system should be submitted for comment.</p> <p>Review Status <input type="checkbox"/> A (No Objection) <input checked="" type="checkbox"/> B (No Objection Subject To Comment As Noted) <input type="checkbox"/> C (Amend. & Resubmit) <input type="checkbox"/> D (Reject & Resubmit)</p>	
Signature: <u>M.F. Li</u> Name: <u>Eddie M.F. Li</u> Date: <u>16/12/2022</u>			

Encl. 1+11 pages

c.c. MWPL – Mr. Angus Cheung / Mr. W C Wong) All w/e
QS – Mr. Charles Chui / Ms. Karen Tung /) by email
Ms. Priscilla Chow)
Façade Team- Mr. Lai Yuen Ming)
Site Office)
MIDI)

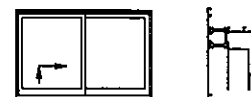
Signed
For and on behalf of
Sanfield Building Contractors Ltd.

Chan Yun Kan Simon
Project Director
SC/YSW/TC/lt



HS-PORTAL 300 LM

Lift and slide hardware for aluminium doors
Hardware information for profile manufacturers



... with the following benefits:

- with integrated night vent
- profile cylinder accessories
- secure due to 4 locking points on the drive gear
- fixed wheels allow simple and easy assembly
- smooth operation even on heavier sashes

Size range

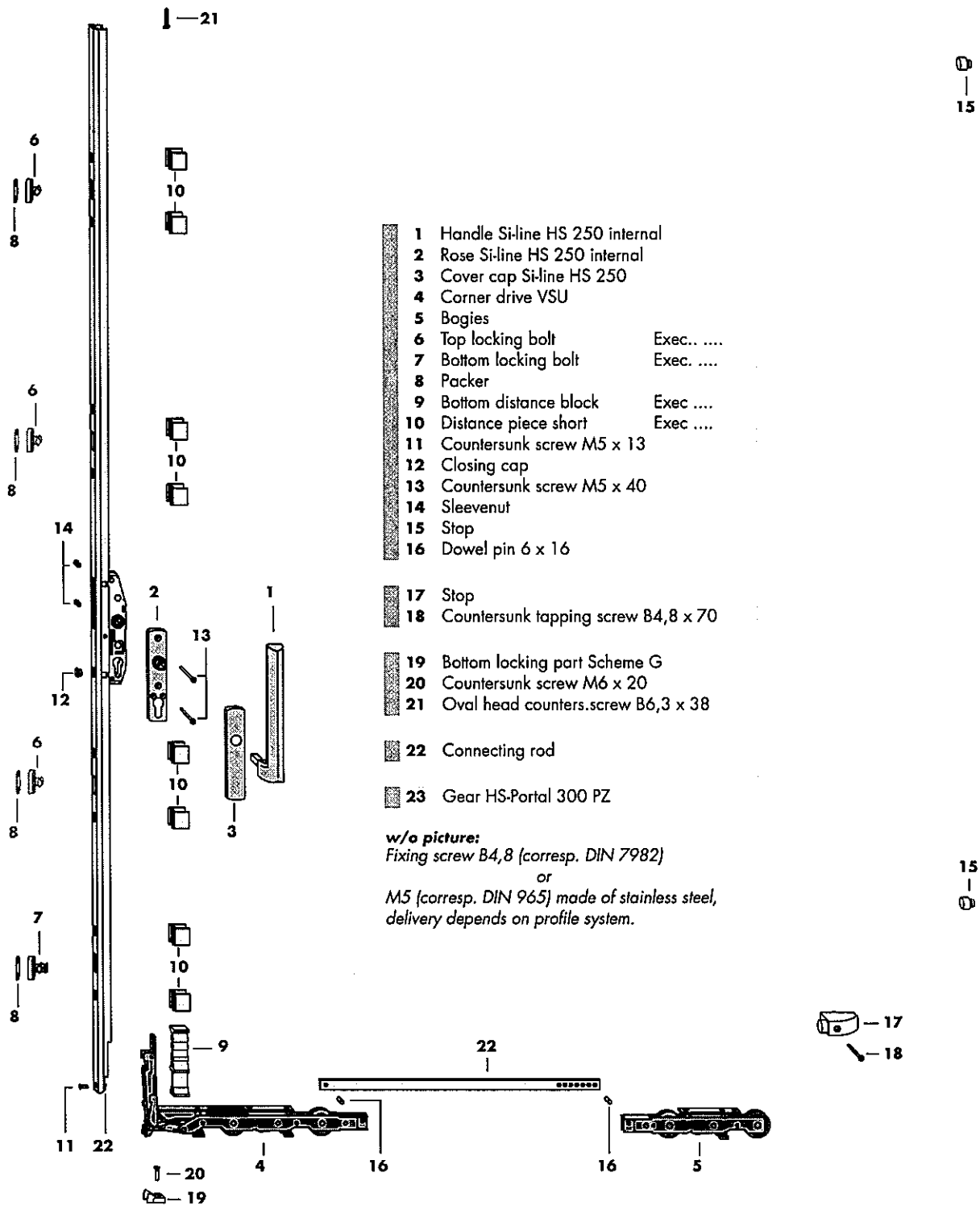
Sash width	(mm)	profile dependent max. 3350
Sash height (<i>Sliding sash</i>)	(mm)	profile dependent max. 2675
Frame width	(mm)	with scheme A max. 6700
Frame height	(mm)	depends on profile system
Sash weight	(kg)	max. 300
Backset (<i>Gear</i>)	(mm)	37,5
Handle position (<i>Window</i>)	(mm)	from top edge running rail 395
Handle position (<i>Door</i>)	(mm)	from top edge running rail 995

Contents

Size range.....	Page 1	Fitting detail(I).....	Page 6
Fittings layout.....	Page 2	Fitting detail(II).....	Page 7
Parts list.....	Page 3	Scheme Options.....	Page 8
Profile dependent measurements.....	Page 4	Specifics on scheme C.....	Page 9
Accessories.....	Page 5	Jigs.....	Page 10

Assembly instruction
HSgb7005

HS-PORTAL 300 LM Hardware Layout Fittings layout



Flexible by optimized packing units

- Handle Si-line HS 250 internal (1) and Cover cap Si-line HS 250(3) available in white RAL 9016 – silver – si-brown
- Basic parts (4 to 16) in Carton HS-Portal 300 LM (profile dependent)
- Sash width dependent connecting rod size 150 to 335 (22)
- Sash height dependent Gear HS-Portal 300 PZ size 170, 220 and 260 (23)

HS-PORTAL 300 LM Hardware Parts list



Pos.	Qty					Materialshorttext	Materialnumber		
	A	D	G	C	F		RAL9016 white	silver	Si-brown
	1	2	1	2	4	Carton Handle Si-line HS 250 internal A0156	267226	267219	267240
1	1	2	1	2	4	Handle Si-line HS 250 internal A0156			
2						Rose Si-line HS 250 internal			
3	1	2	1	2	4	Cover cap Si-line HS 250			
	1	2	1	2	4	Carton HS-PORTAL 300 LM A....		---	
						consisting of:			
4	1	2	1	2	4	Corner drive VSU HS		PEUB0010-100010	
5	1	2	1	2	4	Bogies HS		PLVW0020-100010	
	1	2	1	2	3	Bag Locking parts HSUM A....			
6	1	2	1	2	3	Top locking parts A.... air gap dependent		See page 7	
7	1	2	1	2	3	Bottom locking parts A.... air gap dependent		See page 7	
8						Packer 1 mm / 2 mm airgap dependent		See page 7	
	1	2	1	2	4	Bag sash parts HSUM A....			
9	1	2	1	2	4	Lower distance block A.... profile dependent		See page 7	
10	8	16	8	16	32	Distance piece short A.... profile dependent		See page 7	
11	1	2	1	2	4	Countersunk screw M5 x 13		800850	
12	1	2	1	2	4	Closing cap grey		819708	
	1	2	1	2	4	Closing cap brown		819869	
13	2	4	2	4	8	Countersunk screw M5 x 40		801048	
14	2	4	2	4	8	Sleeve nut		800287	
15	2	4	1	4	1	Stop		824412	
	1	2	1	2	4	Bag screws HSUM A....			
16	2	4	2	4	8	Dowel pin 6 x 16		823132	
						Screws profile dependent			
	-	1	1	-	2	Bag Stop 821237		860649	831922
						consisting of:			
17	-	1	1	-	2	Stop	800812	861004	855898
18	-	1	1	-	2	Countersunk top. screw B4,8 x70	844090	844090	844090
	-	-	1	1	1	Bag locking parts HS Scheme G		238691	
						consisting of:			
19	-	-	1	1	1	Locking part bottom Scheme G		848272	
20	-	-	1	1	1	Countersunk screw M6 x 20		848289	
21	-	-	1	1	1	Pan head top. screw B6,3 x 38		848296	
						Connecting rod			
						Size Length (in mm) FB (in mm)			
						150 898 720 to 1500		719282	
						200 1398 1501 to 2000		719480	
						250 1898 2001 to 2500		719497	
						335 2748 2501 to 3350		719725	
						Gear HS-PORTAL 300 PZ			
						Size Handle pos. (in mm) FH (in mm)			
						170 1190 to 1290	PGKB0010-524010	PGKB0010-524010	PGKB0010-532010
						220 1791 to 2290	PGKB0020-524010	PGKB0020-524010	PGKB0020-532010
						260 2291 to 2690	PGKB0030-524010	PGKB0030-524010	PGKB0030-532010

Accessories

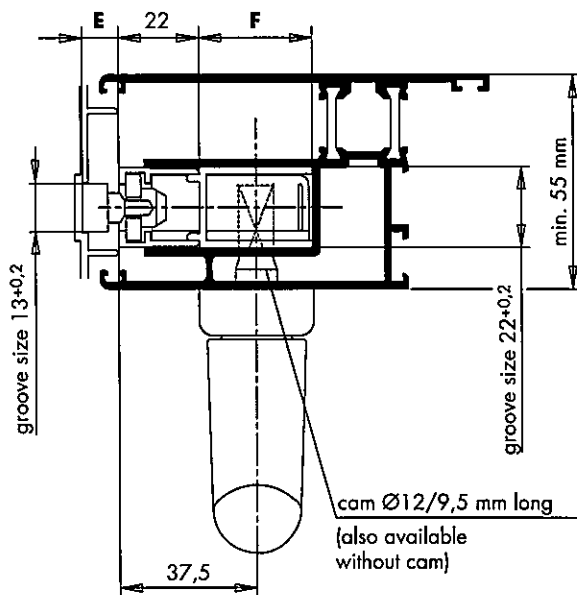
24	0..1	0..2	0..1	0..2	0..4	Finger pull Si-line lng	880869	880838	885239
25	0..1	0..2	0..1	0..2	0..4	Rose Si-line outwards brg	-	881569	-
26	0..1	0..2	0..1	0..2	0..4	Handle Si-line HS 250 detachable only in conn. with internal rose	891735 ²	-	-
27	0..1	0..2	0..1	0..2	0..4	Rose Si-line internal only in conn. with detachable handle	-	881613	-

1) Actual need; delivery contains further parts.
2) Color RAL 9003 white



Distance block (10) and Distance piece, short(11)

	DIM F (mm)	Execution	Distance block Part number	Distance pc. short Part number
	16	A0001	862711	PDZB0040-096010
	18	A0020	634.2341.5021.A0	PDZB0050-096010
	20	A0029	856000	PDZB0060-096010
10 - 	23	A0007	855997	PDZB0070-096010
	25	A0004	856161	PDZB0080-096010
	27	A0008	863282	PDZB0100-096010
	30	A0006	857465	PDZB0110-096010
11 - 	31	A0018	897577	PDZB0120-096010
	32	A0015	849200	PDZB0130-096010
	35	A0002	859049	PDZB0140-096010

Cross section A-B




Locking bolts (7 and 8)

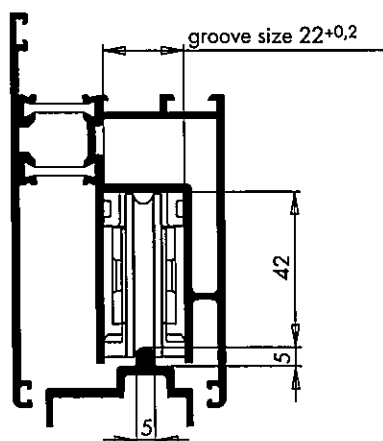
	DIM E ¹⁾ (mm)	Execution	Top locking bolt Part number	Bottom locking bolt Part number
	4	A0012	719398	719404
	7	A0020	719305	719312
	8	A0001	719190	634.2834.5004X60
7 - 	8,5	A0005	719206	719220
	9	A0006	719213	719237
	14	A0009	719329	719343
8 - 	16	A0013	719244	719268
	19,5	A0002	722220	719299
	20	A0004	719251	722534

1) intermediate sizes using packers of 1 mm and 2 mm possible

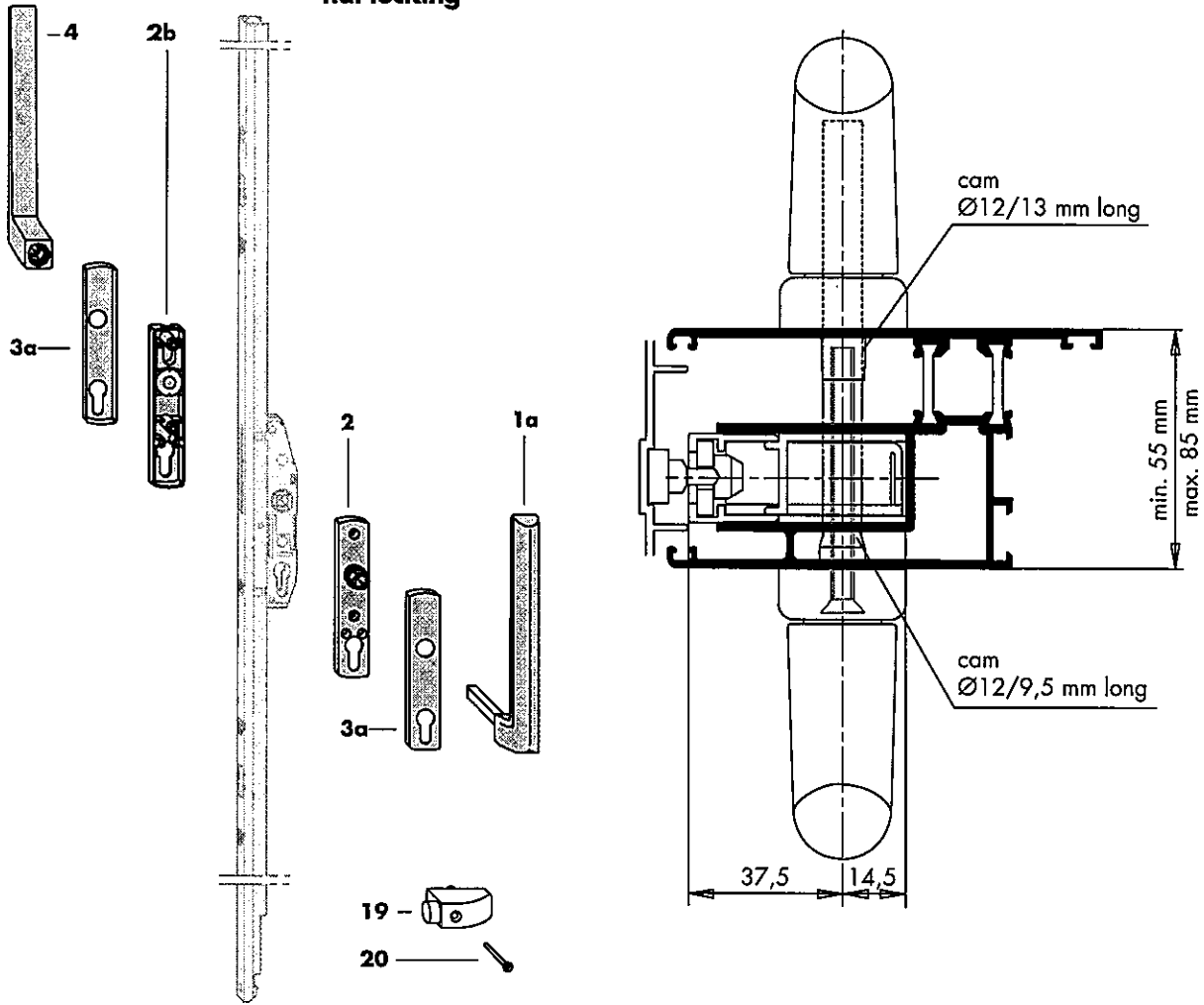
Packers (9) for locking bolts

		Part number
9 - 	1 mm	721285
	2 mm	721292

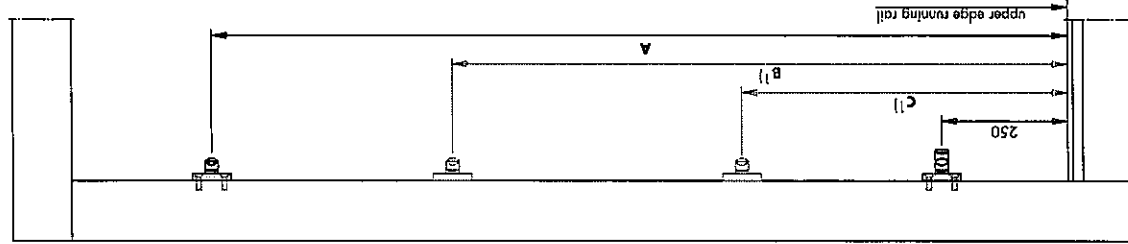
Cross section C-D



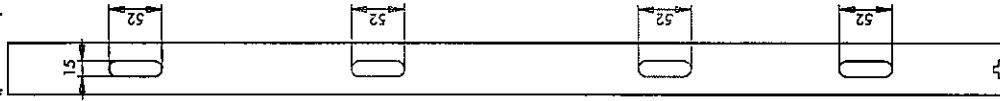
**Handle Si-line
HS 250 PZ A0156
internal and external
locking**



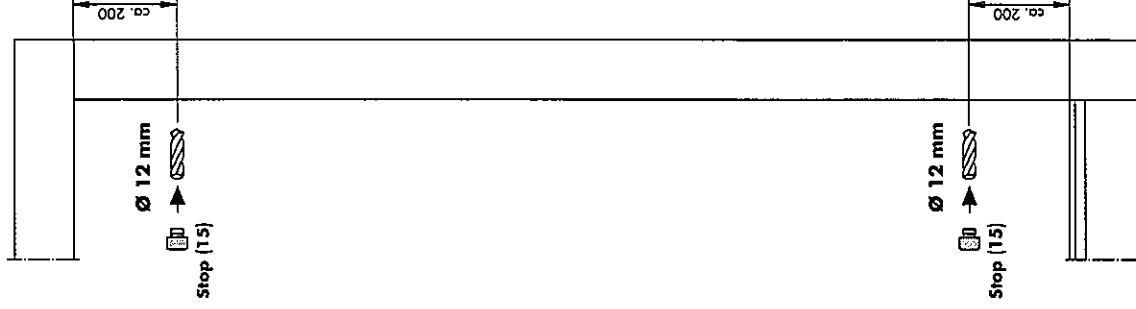
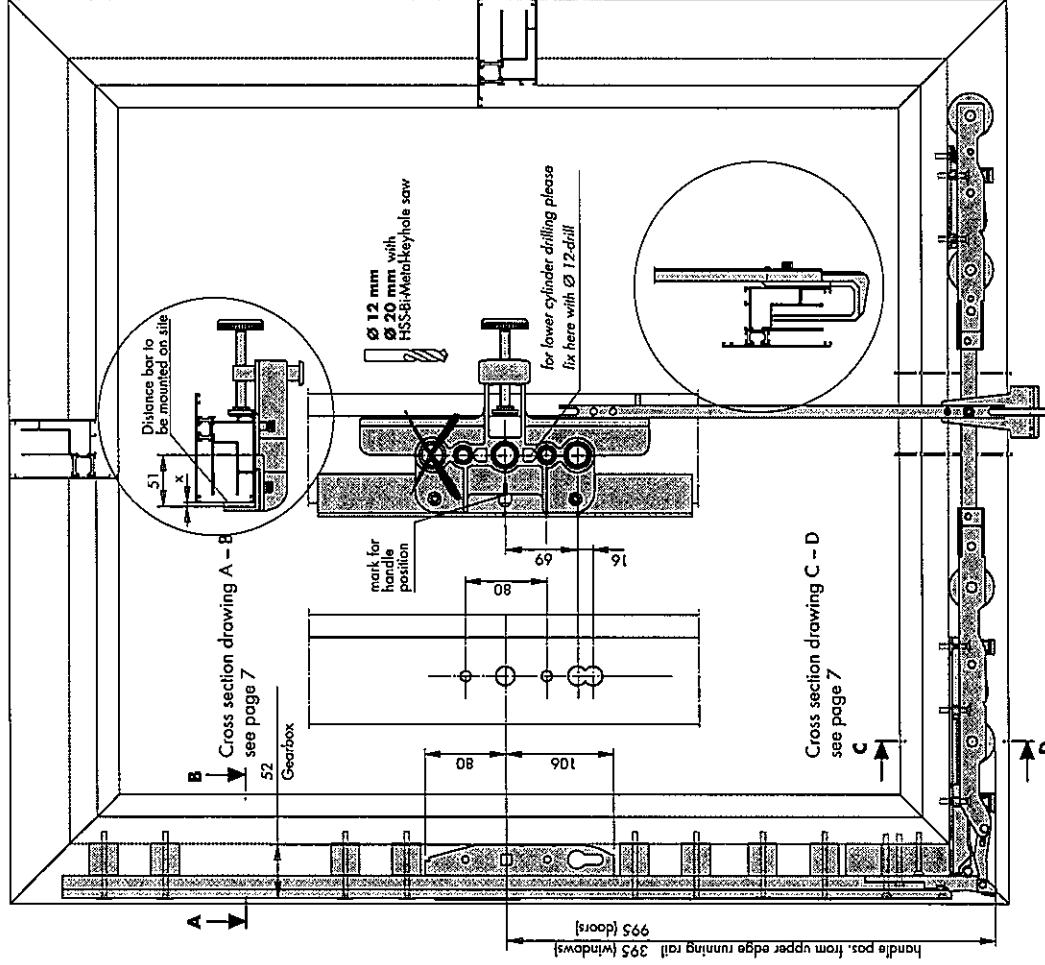
Pos.	Pcs per scheme					Description	Part number			
	A	D	G	C	F		RAL9016 white	silver	si-brown	
	1	2	-	1..2	3..4	Handle Si-line HS 250-PZ internal (only in conn. with Si-line HS 250-PZ external) consisting of	A0156	272725	267264	267271
							i. r. exc. locking			
1a	1	2	-	1..2	3..4	Handle Si-line HS 250 PZ internal	A0156			
2	1	2	-	1..2	3..4	Rose Si-line internal				
3a	2	2	-	2..4	6..8	Cover cap Si-line HS 250		884898	876602	876633
	1	2	-	1..2	3..4	Handle Si-line HS 250-PZ external (only in conn. with Si-line HS 250-PZ internal) consisting of	A0156	272749	272732	272756
							i. r. exc. locking			
4	1	2	-	1..2	3..4	Handle Si-line HS 250 PZ external	A0156			
2b	1	2	-	1..2	3..4	Rose Si-line external				
3a	2	2	-	2..4	6..8	Cover cap Si-line HS 250		884898	876602	876633
	1	2	-	1..2	3..4	Bag Stop		821237	860649	821244
19	1	2	-	1..2	3..4	Stop				
20	1	2	-	1..2	3..4	Countersunk tap. screw B4,8 x 70				



Sash cover plate
(profile dependent)



Size x = profile dependent



1) If requested 2 pins top locking bolt (6) can be used as additional centre lock. The locking points on Gear HS-Portal 300 LZ (2) must be opened.
2) Small deviations possible (profile dependent)

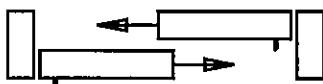
Gear	Size A	Size B (1)	Size C (1)	Sash height (2)
Sz 170	1000	600	-	1175 - 1175
Sz 220	1600	1200	750	1776 - 2275
Sz 260	2200	1800	750	2276 - 2675

left hand or *right hand*

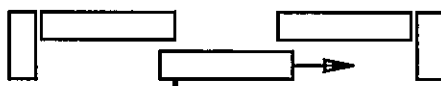
Scheme A



Scheme D



Scheme G



Scheme H



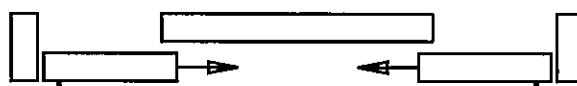
Scheme C

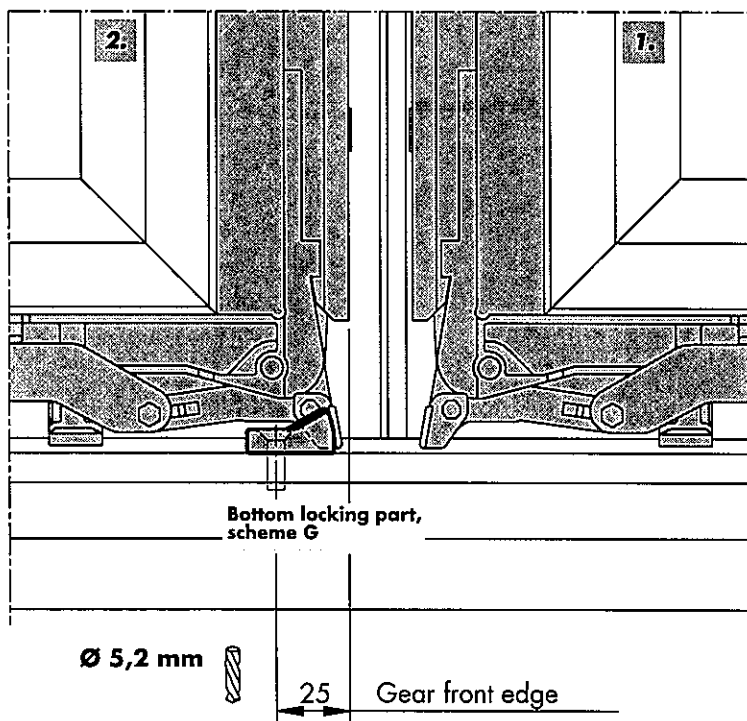
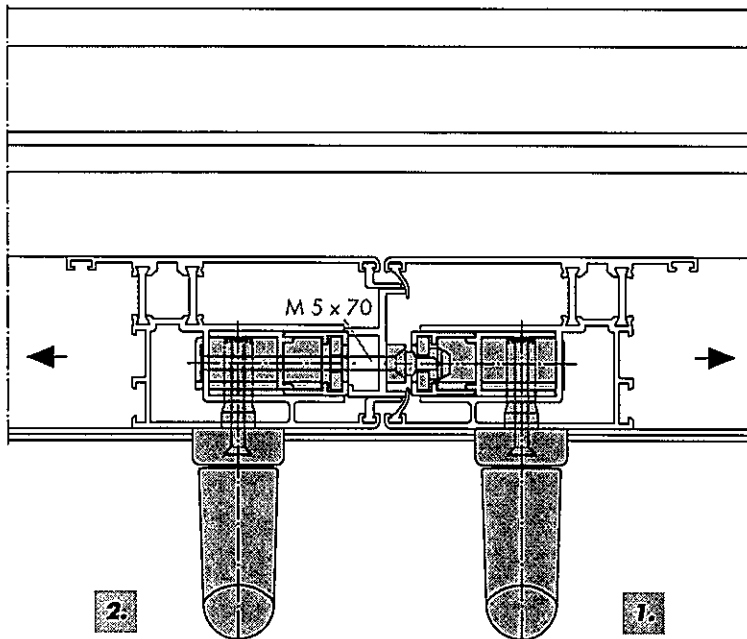


Scheme F



Scheme K





Notes for Scheme C:

- The locking points are lowered by 4mm
Reduce Dim A to C on page 14
by 4 mm
- screw a self tapping screw B6,3 x 38 (21)
into the frame ~ 50 mm from the sash leading
edge above the slave sash
[see also page 9]
- To avoid misoperation of the two leaves ,
the master and slave sashes should be clearly
identified.

The sliding doors should only be operated
in the following sequence !

Opening: first the master [1.],
then the slave sash [2.]

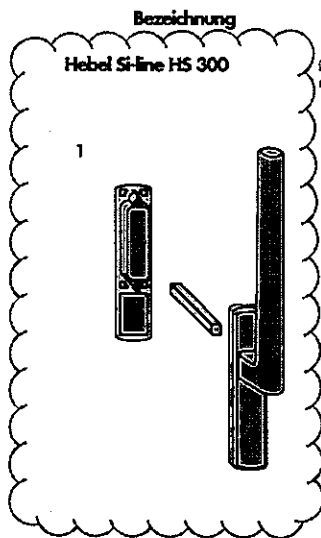
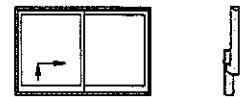
Closing: first the slave sash [2.],
and then the master [1.]

Fitting the locking parts , Scheme G

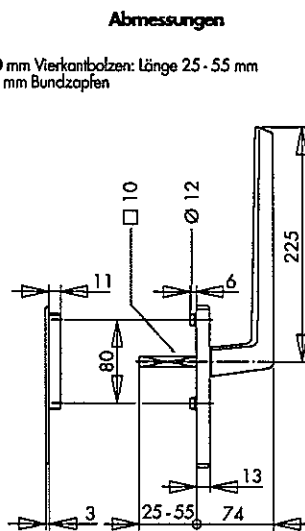
- A Mark the running rail 25 mm behind the gear front
edge
and ctr punch for a csk screw M6 x 20 (20).
- B Pre drill with a Ø 5,2 mm drill.
- C Screw in the locking part for Scheme G (19) .

Hebel-HS PORTAL 300

Hebel Si-line HS 300 Standard mit Griffmuschel
für HS PORTAL 200, 300 und 400 Holz-, Kunststoff- und Leichtmetallelemente

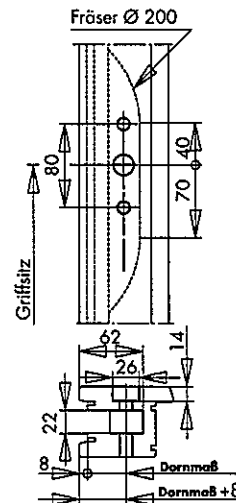


□ 10 mm Vierkantbolzen: Länge 25 - 55 mm
ø 12 mm Bundzapfen



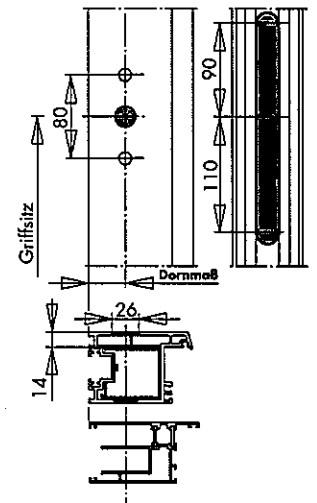
Bohrbild - Holz

Holzspiralbohrer Ø 12 mm
Holzspiralbohrer Ø 20 mm
Fräser Ø 200 mm



Bohrbild - KF/LM

Bohrer Ø 12 mm
Bohrer Ø 20 mm mit HSS-Bi-Metall-Lochsäge
Fräser Ø 22 mm



- Hebel Si-line HS 300 mit Rosette und Abdeckkappe
- Griffmuschel Si-line lang
- Befestigungsschrauben sind im Zusatzkarton HSH bzw. im Karton HSKF enthalten

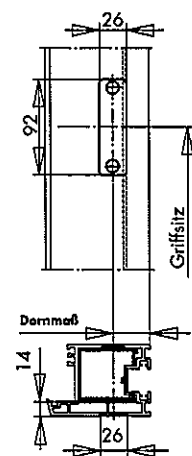
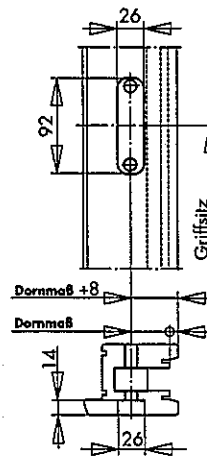
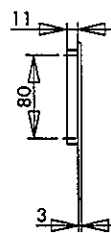
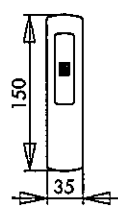
Griffmuschel Si-line lang

verwendbar mit Hebel HS-300
M 5 Gewinde für Befestigungsschrauben

Holzspiralbohrer Ø 12 mm
Fräser Ø 20 mm

Bohrer Ø 12 mm
Fräser Ø 8 mm

2



- Evtl. vorhandene Bohrung für Profilzylinder wird abgedeckt

Pos.	Materialkurztext	Farbe	Materialnummer
1,2	Karton Hebel Si-line HS 300 (mit Griffmuschel Si-line lang)	RAL 9001 cremeweiss	PMHB0010-501011
		RAL 9003 signalweiss	PMHB0010-502011
		RAL 9005 tiefschwarz	PMHB0010-523011
		RAL 8022 schwarzbraun	PMHB0010-512011
		RAL 8019 graubraun	PMHB0010-511011
		EV 1 silber	PMHB0010-524011
		EV 2 neusilber	PMHB0010-526011
		C 33 mittelbronze	PMHB0010-530011
		titan matt hell	PMHB0010-534011
		F 9 Aluminium-stahlfarben	PMHB0010-5H4011
		Si:Altgold	PMHB0010-5H0011
			Oberfläche unbeschichtet (roh)