



工程指示 / 要求簡箋 ENGINEER INSTRUCTIONS(E.I.)

工程指示編號:	EI- 6006 / 23	修改版本:	-
	HK- 0722 / 23		
工程編號:	J 859	工程名稱:	啟德6551
收件人:	Maggie Ior	發件人:	nero
工程項目:	後裝趟門 - 繪畫模圖	日期:	14/04/2023

<input type="checkbox"/> 原合約工程包	<input type="checkbox"/> 原合約工程加 / 減脹 QT-	<input type="checkbox"/> 新工程報價 QT-
---------------------------------	--	------------------------------------

信件批核號碼/圖紙參考編號:	批核模具圖紙編號:
客戶指示附件:	管理內部批簽署:

<input type="checkbox"/> 初步鋁料 B.M.	<input type="checkbox"/> 加工拆圖, 然後生產	<input type="checkbox"/> 尺寸表
<input type="checkbox"/> 正式鋁料 B.M.	<input type="checkbox"/> 技術上資料 / 指示	<input type="checkbox"/> 報價
<input type="checkbox"/> 配件 B.M.	<input type="checkbox"/> 樣辦或貨品說明書	<input type="checkbox"/> 分判合約
<input type="checkbox"/> 其他:		

內容: 請按附件資料繪畫以下模號模圖:		
1. X86428	8. X86435	15. X86442
2. X86429	9. X86436	16. X86443
3. X86430	10. X86437	17. X86444
4. X86431	11. X86438	18. X86445
5. X86432	12. X86439	19. X86446
6. X86433	13. X86440	20. X86447
7. X86434	14. X86441	
完成上列要求日期: 19/04/2023		

國內

<input type="checkbox"/> 生產技術總監	<input type="checkbox"/> 連附件	<input type="checkbox"/> 技術部	<input type="checkbox"/> 連附件	<input type="checkbox"/> 生產部	<input type="checkbox"/> 連附件
<input type="checkbox"/> 採購部	<input type="checkbox"/> 連附件	<input type="checkbox"/> 生產統籌部	<input type="checkbox"/> 連附件	<input type="checkbox"/> 報關組	<input type="checkbox"/> 連附件
<input checked="" type="checkbox"/> 質檢部	<input checked="" type="checkbox"/> 連附件	<input type="checkbox"/> 會計部	<input type="checkbox"/> 連附件	<input type="checkbox"/> 機械設計部	<input type="checkbox"/> 連附件
<input type="checkbox"/> 香港辦	<input type="checkbox"/> 連附件	<input type="checkbox"/> 其他:			

香港

<input type="checkbox"/> 行政部	<input type="checkbox"/> 連附件	<input type="checkbox"/> 會計部	<input type="checkbox"/> 連附件	<input type="checkbox"/> 統籌部	<input type="checkbox"/> 連附件	<input type="checkbox"/> 工程部	<input type="checkbox"/> 連附件
<input checked="" type="checkbox"/> 採購部	<input checked="" type="checkbox"/> 連附件	<input type="checkbox"/> QS部	<input type="checkbox"/> 連附件	<input type="checkbox"/> 地盤管理	<input type="checkbox"/> 連附件	<input type="checkbox"/> 維修部	<input type="checkbox"/> 連附件

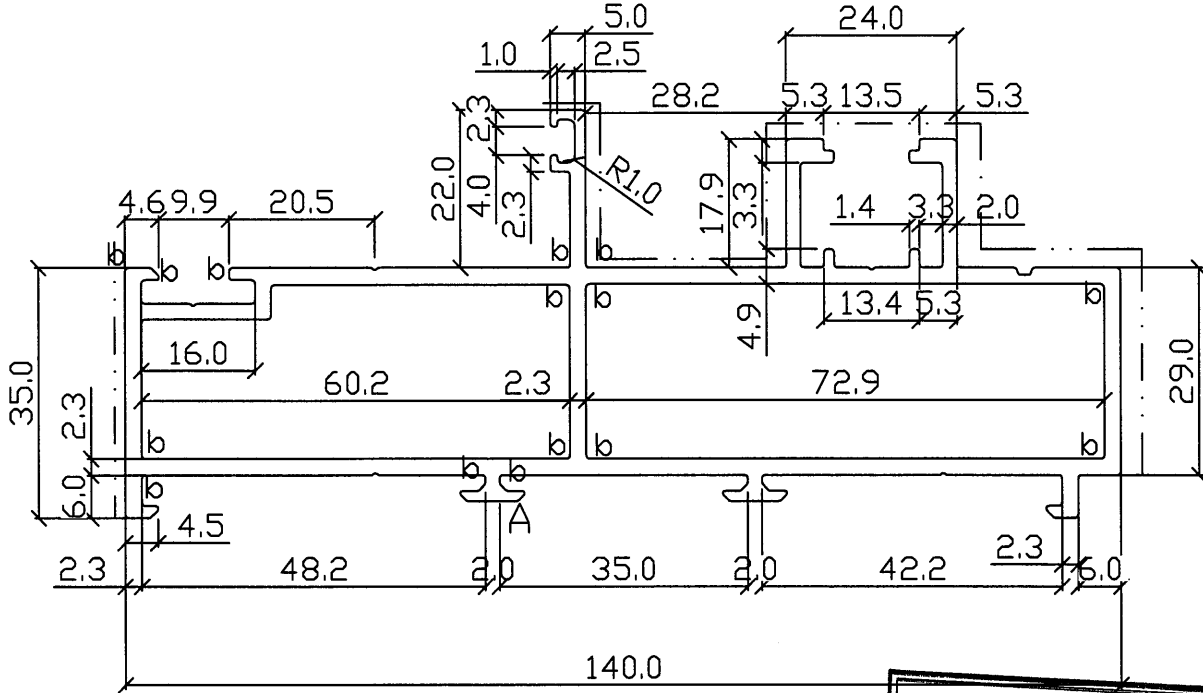
*發件人簽署:	<i>h.</i>	*組別成員批核簽署:	
傳遞編號:	HK-0722/23	項目經理簽署:	<i>[Signature]</i>

MIDI ALUMINIUM FABRICATOR LTD.

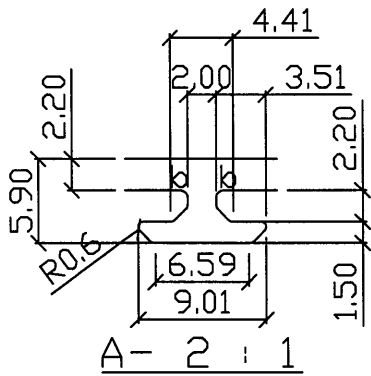
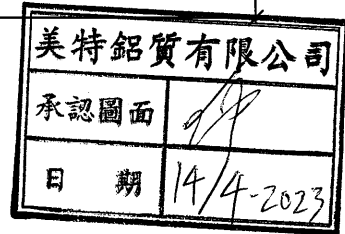
DRAWING NO. X86428

REV.

TITLE



SCALE 1:1

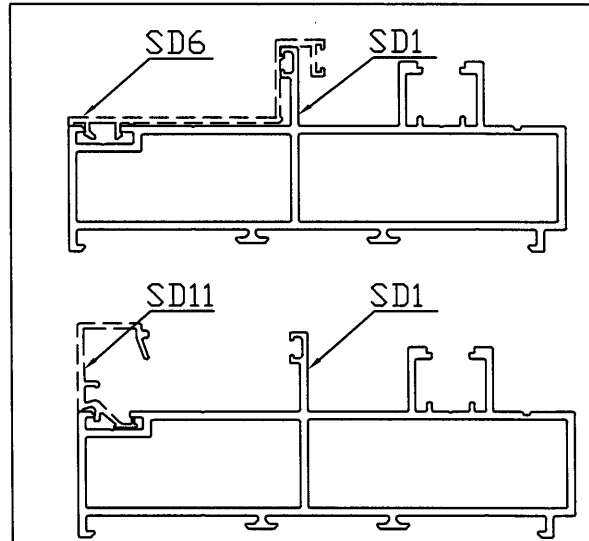


A-2:1

a=R0.4
b=R0.5

APPROVED :

6063-T6



SECTIONAL AREA	mm ²	1033.3	ADDITIONAL TOLERANCE	DATE	REVISION			
WEIGHT	KG/M	2.81	Thickness ± 0.1 mm	24/02/2023	NO.	DATE	NAME	DESCRIPTION
PERIMETER	mm	942.4	Flatness 0.1 /25mm width	SCALE				
V.F.	mm	211	Straightness 0.3 /300mm	1 : 1				
			Twist 0.5° /300 mm max	DRAWN				
			Angularity ± 1.0 degree	CHECK				

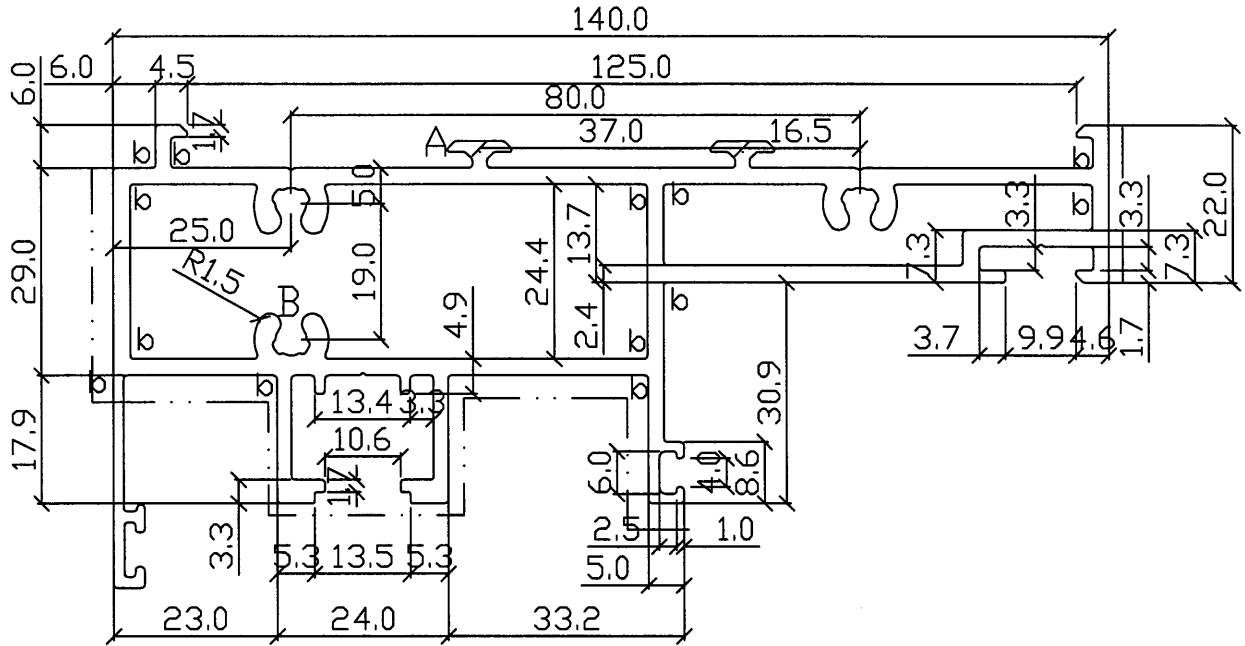


MIDI ALUMINIUM FABRICATOR LTD.

DRAWING NO.
X86429

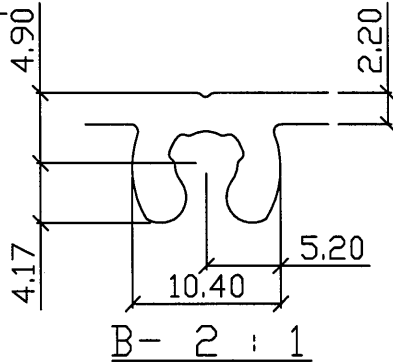
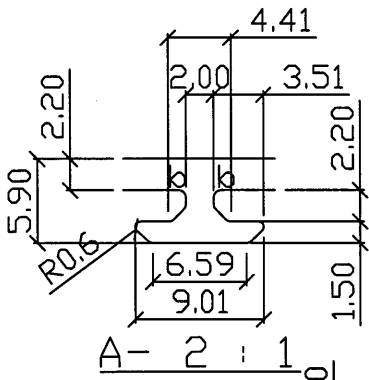
REV.

TITLE

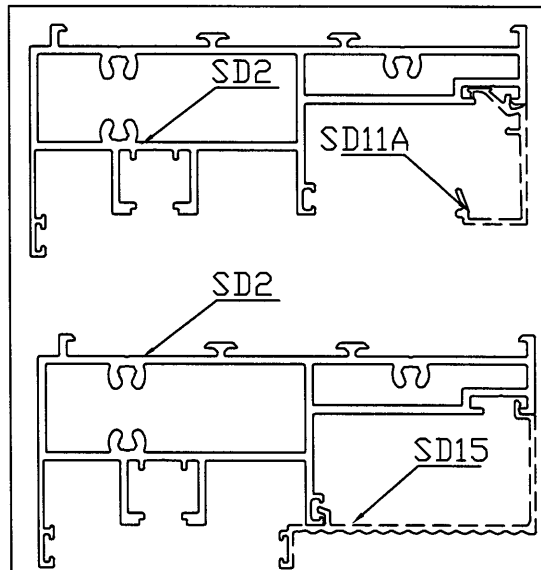


SCALE 1:1

美特鋁質有限公司	
承認圖面	<i>[Signature]</i>
日期	14/4-2023



a=R0.4
b=R0.5



APPROVED :

6063-T6

SECTIONAL AREA	mm ²	1115.5	ADDITIONAL TOLERANCE	Thickness	± 0.1	mm	DATE	24/02/2023	REVISION			
	WEIGHT	KG/M		3.02	Flatness	0.1 /25mm width			SCALE	1 : 1	NO.	DATE
PERIMETER	mm	978.7	Straightness	0.3 /300mm			DRAWN	-				
V.F.	mm	188	Twist	0.5° /300 mm max			CHECK					
			Angularity	± 1.0 degree								



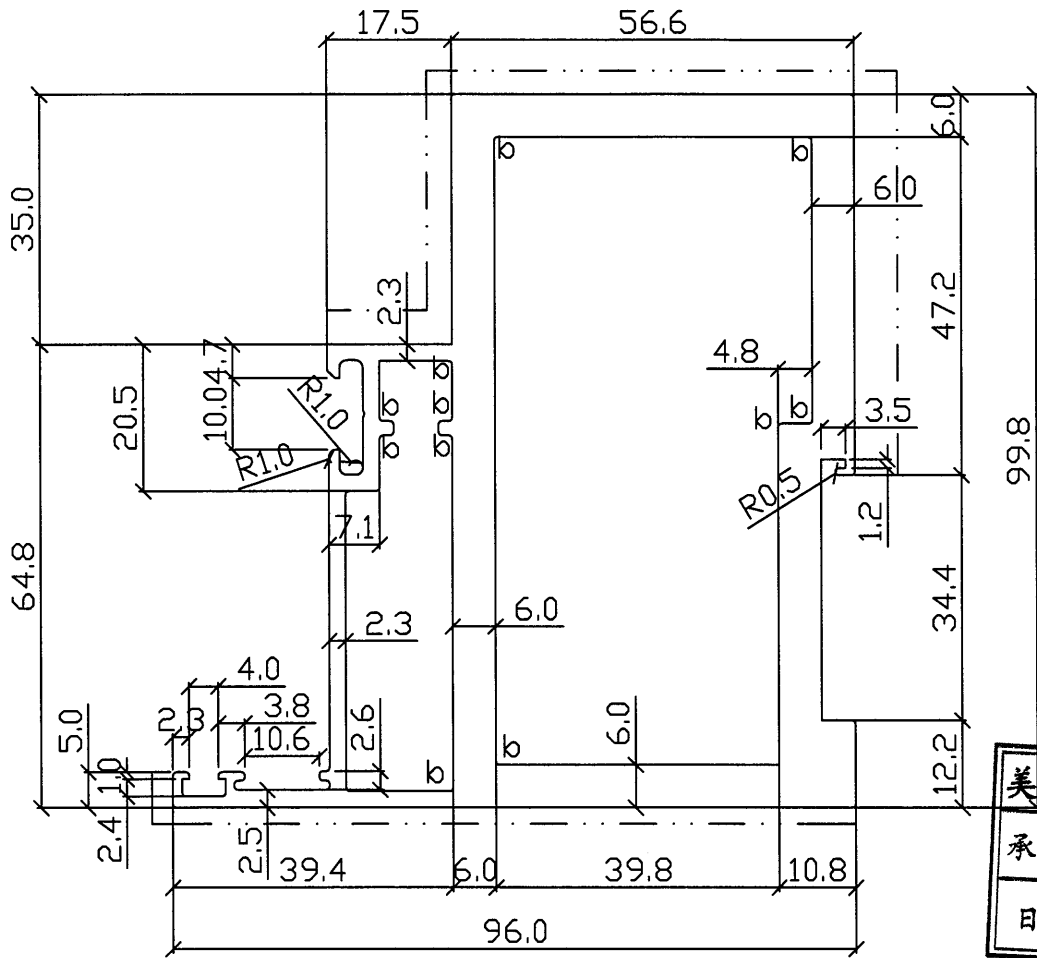
MIDI ALUMINIUM FABRICATOR LTD.

DRAWING NO.
X86430

REV.

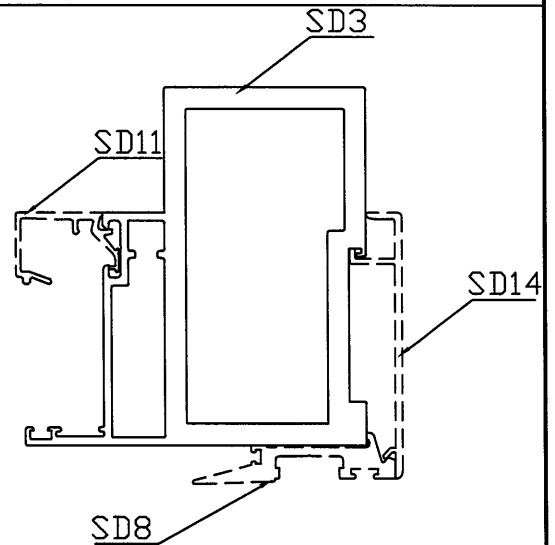
TITLE

-



美特鋁質有限公司	
承認圖面	
日期	14/4-2023

SCALE 1:1



a=R0.4
b=R0.5

APPROVED :

6063-T6

SECTIONAL AREA	mm ²	ADDITIONAL TOLERANCE	DATE	REVISION			
				NO.	DATE	NAME	DESCRIPTION
2090.2		Thickness ± 0.1 mm	24/02/2023				
WEIGHT	KG/M	Flatness 0.1 /25mm width	SCALE				
5.665		Straightness 0.3 /300mm	1 : 1				
PERIMETER	mm	Twist 0.5° /300 mm max	DRAWN				
864.6		Angularity ± 1.0 degree	-				
V.F.	mm		CHECK				
280							



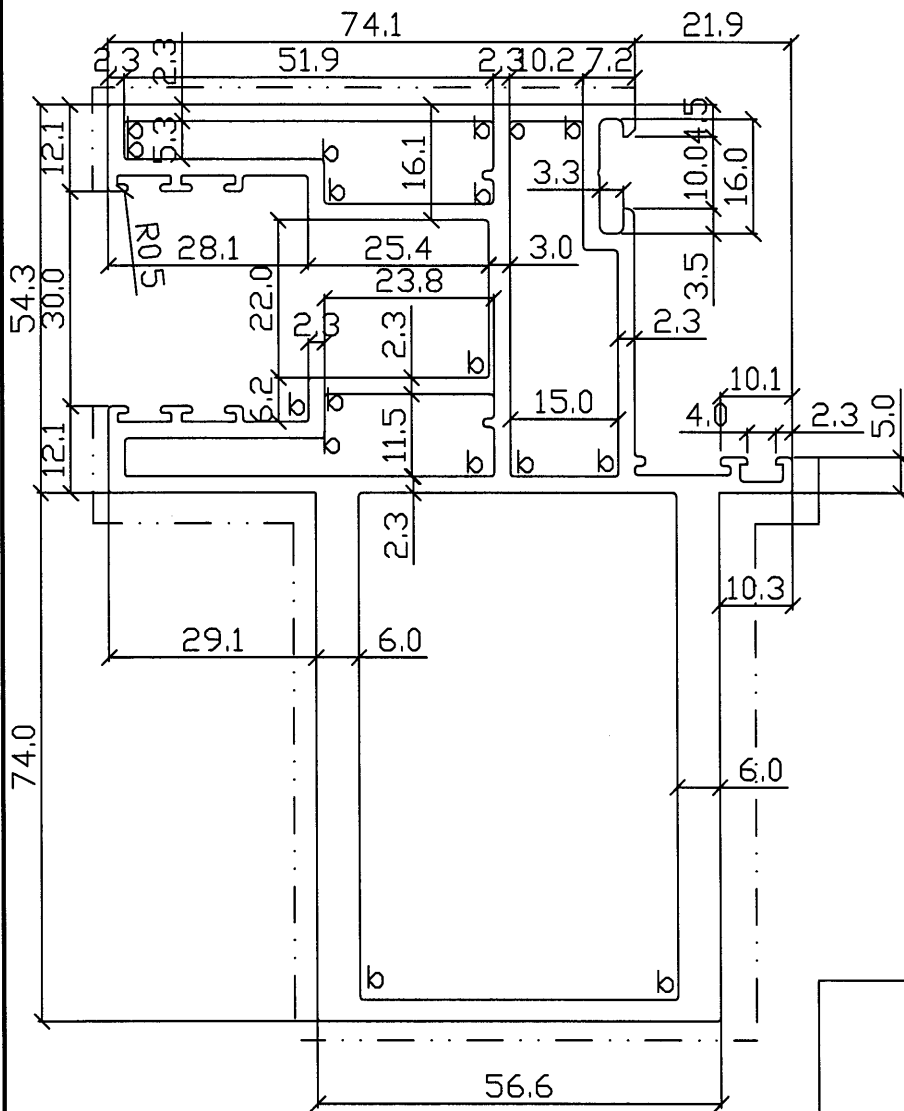
MIDI ALUMINIUM FABRICATOR LTD.

DRAWING NO.
X86431

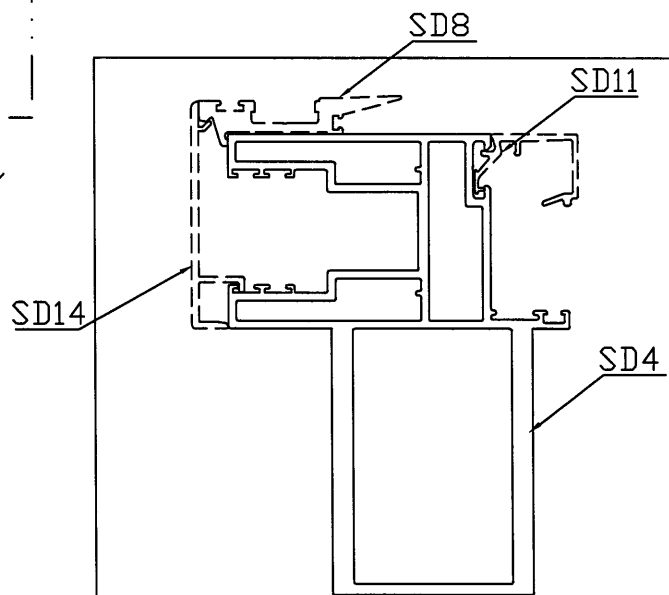
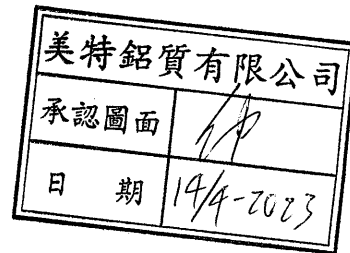
REV.

TITLE

-



SCALE 1:1



a=R0.4
b=R0.5

APPROVED :

6063-T6

SECTIONAL AREA	mm ²	ADDITIONAL TOLERANCE	DATE	REVISION			
				NO.	DATE	NAME	DESCRIPTION
1994.4		Thickness ± 0.1 mm	24/02/2023				
WEIGHT	KG/M	Flatness 0.1 /25mm width	SCALE				
5.41		Straightness 0.3 /300mm	1 : 1				
PERIMETER	mm	Twist 0.5° /300 mm max	DRAWN				
1255.9		Angularity ± 1.0 degree	-				
V.F.	mm		CHECK				
293							



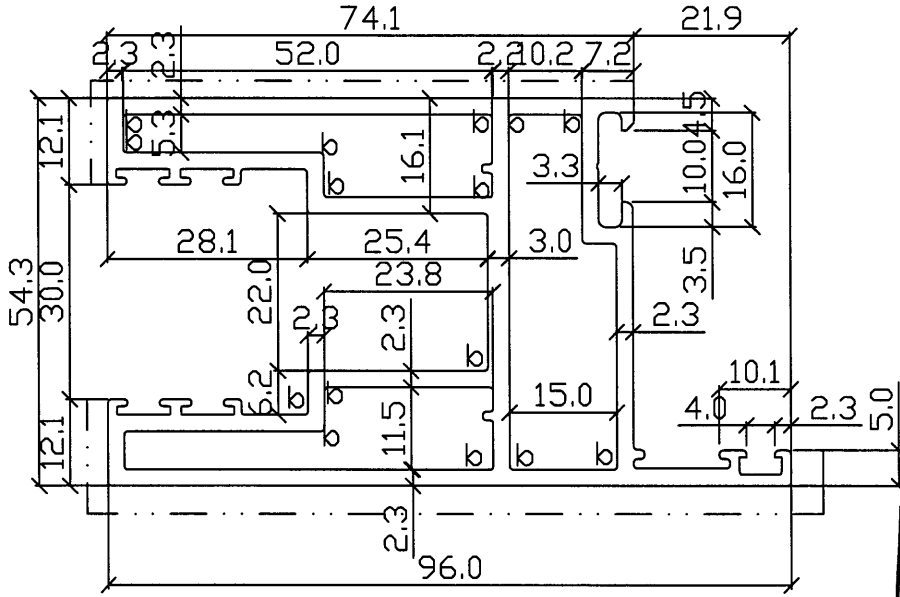
MIDI ALUMINIUM FABRICATOR LTD.

DRAWING NO.
X86432

REV.

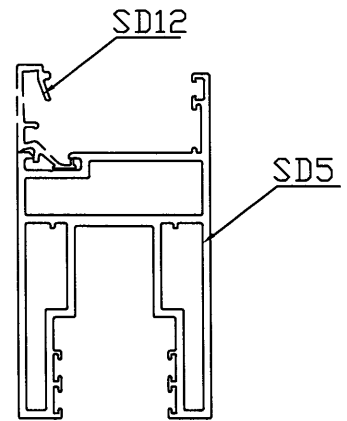
TITLE

-



SCALE 1:1

美特鋁質有限公司	
承認圖面	<i>[Signature]</i>
日期	14/9-2022



a=R0.4
b=R0.5

APPROVED :

6063-T6

SECTIONAL AREA	mm ²	ADDITIONAL TOLERANCE	DATE	REVISION			
				NO.	DATE	NAME	DESCRIPTION
966.2		Thickness ± 0.1 mm	24/02/2023				
WEIGHT	KG/M	Flatness 0.1 /25mm width	SCALE				
2.618		Straightness 0.3 /300mm	1 : 1				
PERIMETER	mm	Twist 0.5° /300 mm max	DRAWN				
873.6		Angularity ± 1.0 degree	-				
V.F.	mm		CHECK				
218							



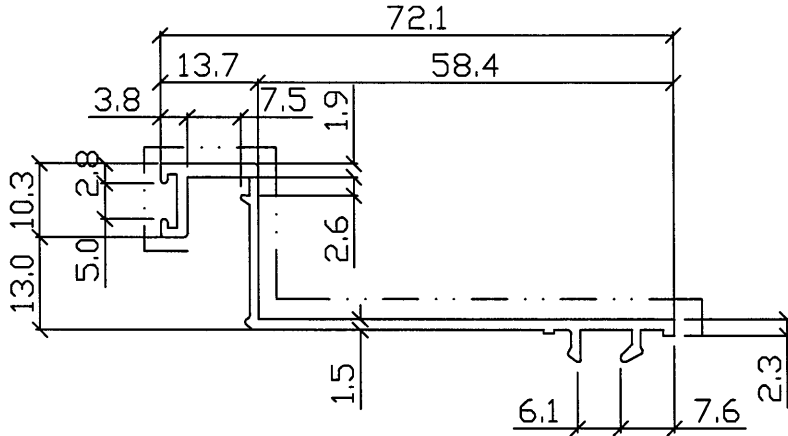
MIDI ALUMINIUM FABRICATOR LTD.

DRAWING NO.
X86433

REV.

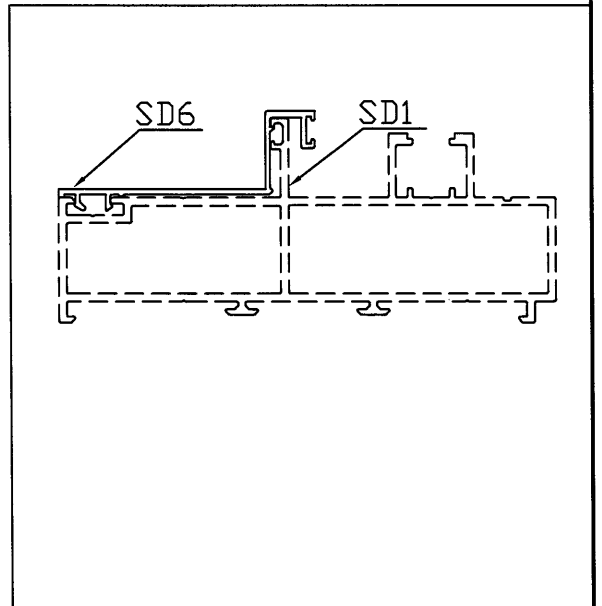
TITLE

-



SCALE 1:1

美特鋁質有限公司	
承認圖面	<i>[Signature]</i>
日期	14/4-2023



a=R0.4
b=R0.5

APPROVED :

6063-T5

SECTIONAL AREA	mm ²	ADDITIONAL TOLERANCE	DATE	REVISION			
				NO.	DATE	NAME	DESCRIPTION
172.6		Thickness ± 0.1 mm	24/02/2023				
WEIGHT	KG/M	Flatness 0.1 /25mm width	SCALE				
0.458		Straightness 0.3 /300mm	1 : 1				
PERIMETER	mm	Twist 0.5° /300 mm max	DRAWN				
239.3		Angularity ± 1.0 degree	-				
V.F.	mm		CHECK				
125							



MIDI ALUMINIUM FABRICATOR LTD.

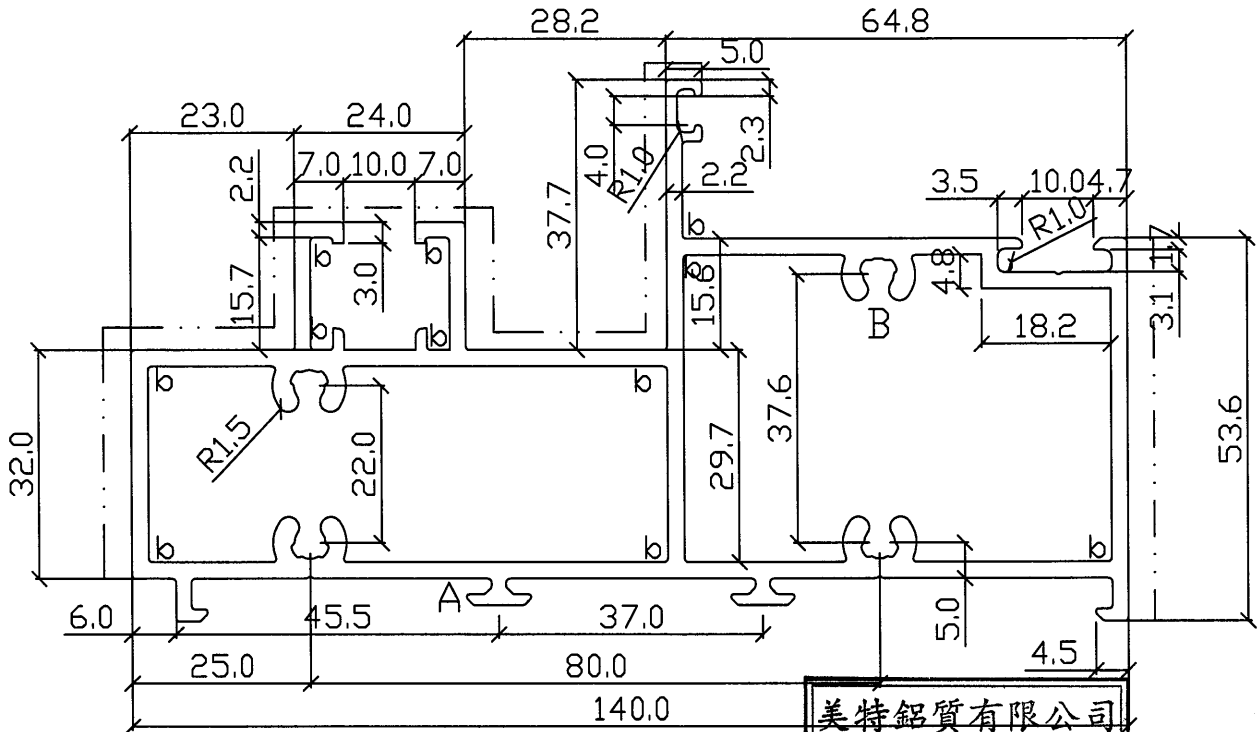
DRAWING NO.

X86434

REV.

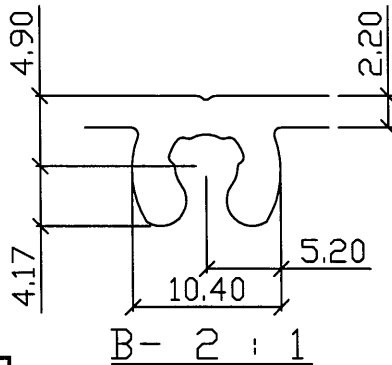
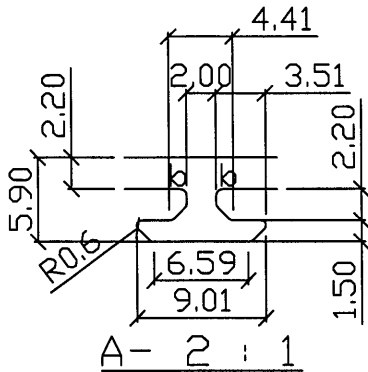
TITLE

-



美特鋁質有限公司	
承認圖面	<i>[Signature]</i>
日期	14/4-2023

SCALE 1:1

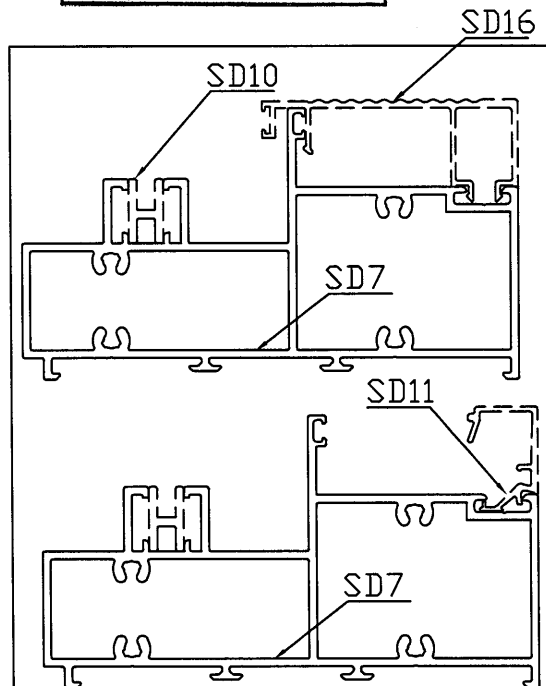


a=R0.4

b=R0.5

APPROVED :

6063-T6



SECTIONAL AREA	mm ²	1275.3	ADDITIONAL TOLERANCE	DATE	REVISION			
			Thickness ± 0.1 mm	24/02/2023	NO.	DATE	NAME	DESCRIPTION
WEIGHT	KG/M	3.456	Flatness 0.1 /25mm width	SCALE				
				1 : 1				
PERIMETER	mm	1118	Straightness 0.3 /300mm	DRAWN				
				-				
V.F.	mm	245	Twist 0.5° /300 mm max	CHECK				
				Angularity ± 1.0 degree				



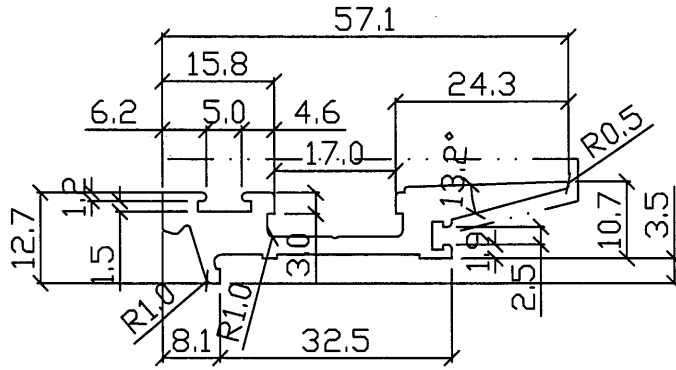
MIDI ALUMINIUM FABRICATOR LTD.

DRAWING NO.
X86435

REV.

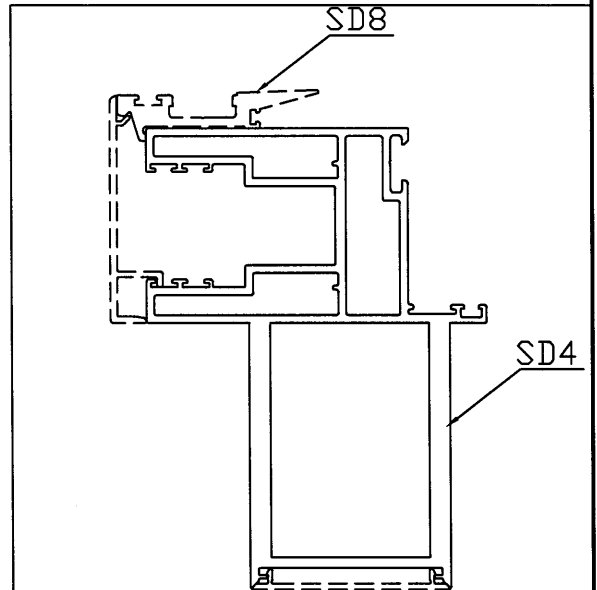
TITLE

-



SCALE 1:1

美特鋁質有限公司	
承認圖面	IP
日期	24/4-2023



a=R0.4
b=R0.5

APPROVED :

6063-T6

SECTIONAL AREA	mm ²	ADDITIONAL TOLERANCE	DATE	REVISION			
				NO.	DATE	NAME	DESCRIPTION
264.1		Thickness ± 0.1 mm	24/02/2023				
WEIGHT	KG/M	Flatness 0.1 /25mm width	SCALE				
0.716		Straightness 0.3 /300mm	1 : 1				
PERIMETER	mm	Twist 0.5° /300 mm max	DRAWN				
171.4		Angularity ± 1.0 degree	-				
V.F.	mm		CHECK				
80							



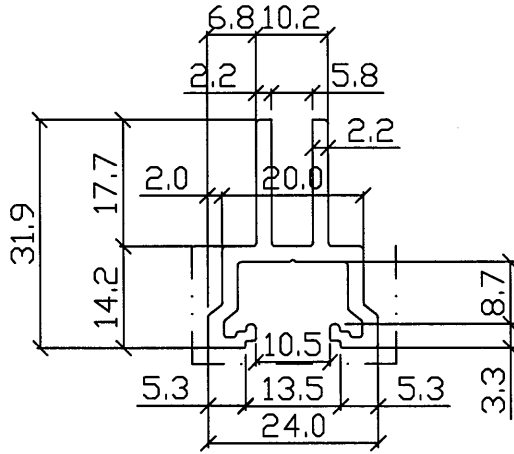
MIDI ALUMINIUM FABRICATOR LTD.

DRAWING NO.
X86436

REV.

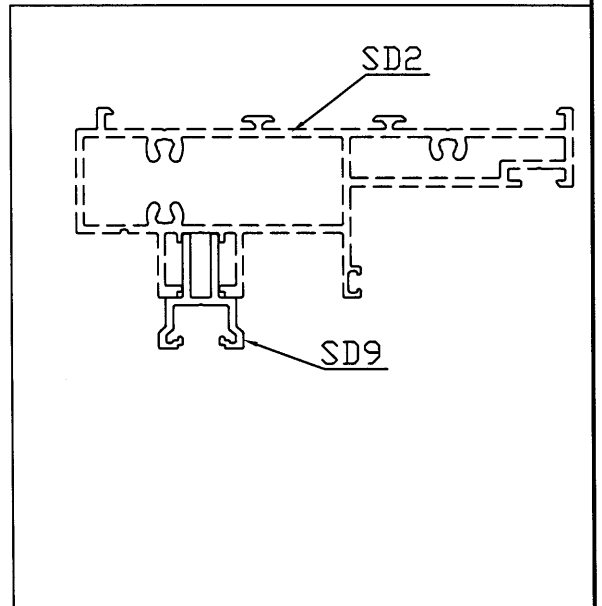
TITLE

-



SCALE 1:1

美特鋁質有限公司	
承認圖面	<i>[Signature]</i>
日期	14/4-2023



a=R0.4
b=R0.5

APPROVED :

6063-T6

SECTIONAL AREA	mm ²	ADDITIONAL TOLERANCE	DATE	REVISION			
				NO.	DATE	NAME	DESCRIPTION
195.2		Thickness ± 0.1 mm	24/02/2023				
WEIGHT	KG/M	Flatness 0.1 /25mm width	SCALE				
0.529		Straightness 0.3 /300mm	1 : 1				
PERIMETER	mm	Twist 0.5° /300 mm max	DRAWN				
186.8		Angularity ± 1.0 degree	-				
V.F.	mm		CHECK				
62							



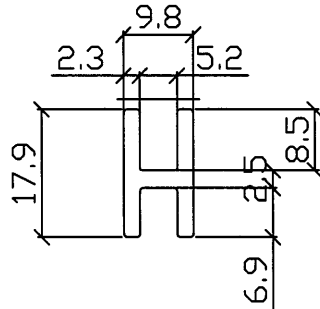
MIDI ALUMINIUM FABRICATOR LTD.

DRAWING NO.
X86437

REV.

TITLE

-

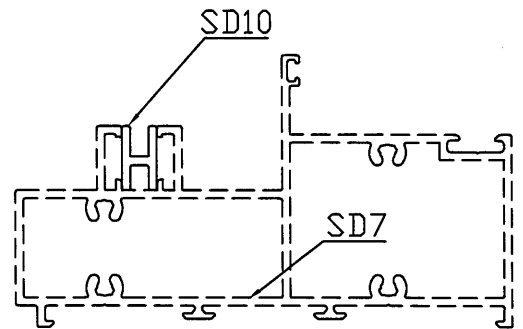


美特鋁質有限公司	
承認圖面	<i>仲</i>
日期	14/4-2023

a=R0.4
b=R0.5

APPROVED :

6063-T6



SECTIONAL AREA	mm ²	ADDITIONAL TOLERANCE	DATE	REVISION			
				NO.	DATE	NAME	DESCRIPTION
95		Thickness ± 0.1 mm	24/02/2023				
WEIGHT	KG/M	Flatness 0.1 /25mm width	SCALE				
0.257		Straightness 0.3 /300mm	1 : 1				
PERIMETER	mm	Twist 0.5° /300 mm max	DRAWN				
83.9		Angularity ± 1.0 degree	-				
V.F.	mm		CHECK				
10							



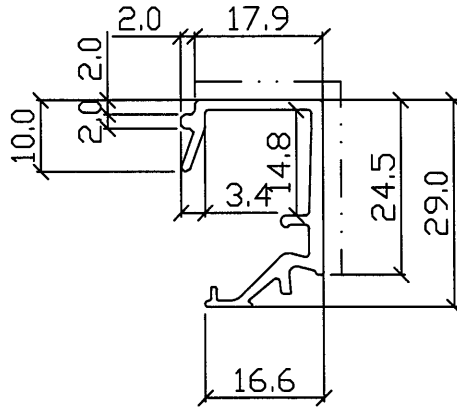
MIDI ALUMINIUM FABRICATOR LTD.

DRAWING NO.
X86438

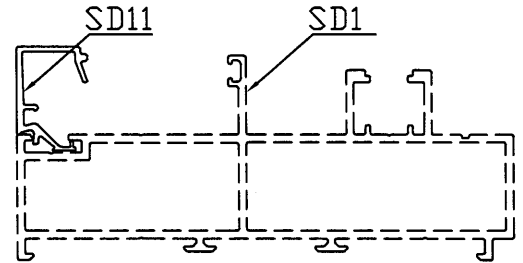
REV.

TITLE

-



美特鋁質有限公司	
承認圖面	<i>[Signature]</i>
日期	14/4-2023



a=R0.4
b=R0.5

APPROVED :

6063-T5

SECTIONAL AREA	mm ²	ADDITIONAL TOLERANCE	DATE	REVISION			
				NO.	DATE	NAME	DESCRIPTION
118.5		Thickness ± 0.1 mm	24/02/2023				
WEIGHT	KG/M	Flatness 0.1 /25mm width	SCALE				
0.321		Straightness 0.3 /300mm	1 : 1				
PERIMETER	mm	Twist 0.5° /300 mm max	DRAWN				
152.5		Angularity ± 1.0 degree	-				
V.F.	mm		CHECK				
48							



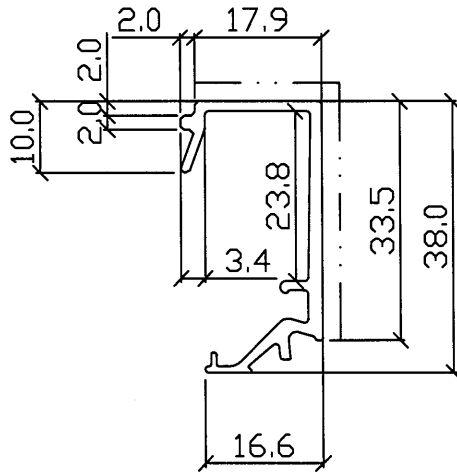
MIDI ALUMINIUM FABRICATOR LTD.

DRAWING NO.
X86439

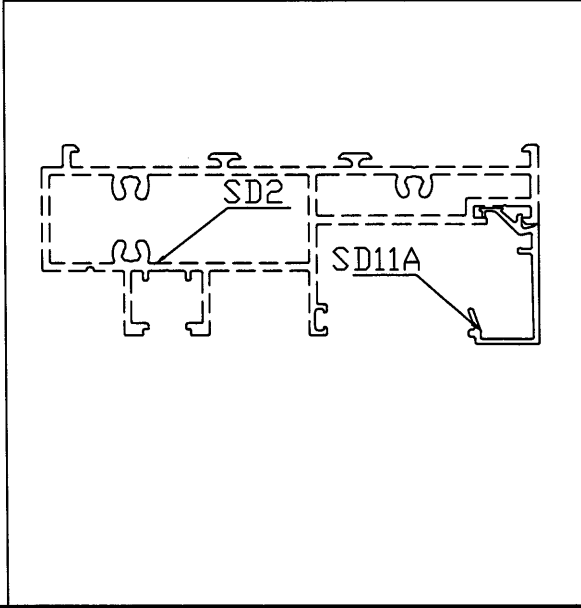
REV.

TITLE

-



美特鋁質有限公司	
承認圖面	<i>JA</i>
日期	19/4-2023



$a=R0.4$
 $b=R0.5$

APPROVED :

6063-T5

SECTIONAL AREA	mm ²	ADDITIONAL TOLERANCE	DATE	REVISION			
				NO.	DATE	NAME	DESCRIPTION
134.6		Thickness ± 0.1 mm	24/02/2023				
WEIGHT	KG/M	Flatness 0.1 /25mm width	SCALE				
0.364		Straightness 0.3 /300mm	1 : 1				
PERIMETER	mm	Twist 0.5° /300 mm max	DRAWN				
170.5		Angularity ± 1.0 degree	-				
V.F.	mm		CHECK				
57							



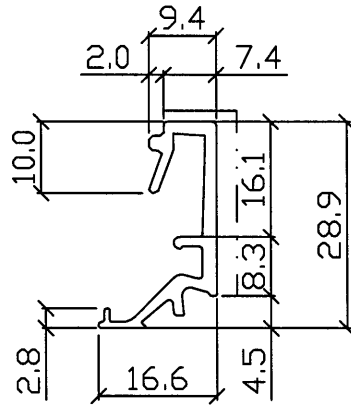
MIDI ALUMINIUM FABRICATOR LTD.

DRAWING NO.
X86440

REV.

TITLE

-

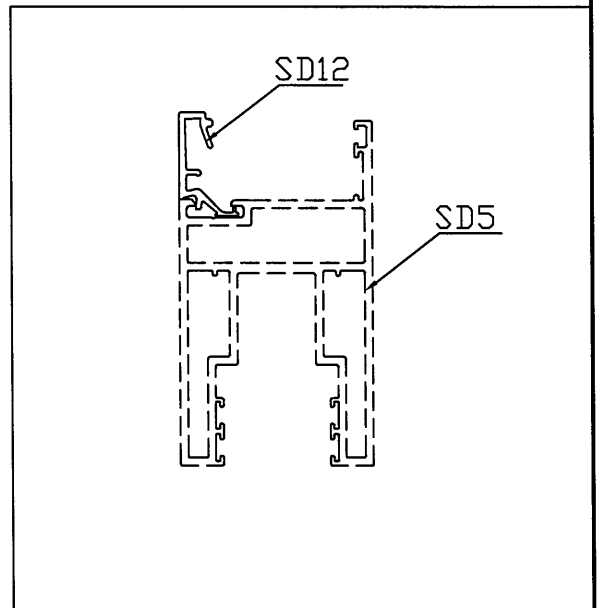


美特鋁質有限公司	
承認圖面	<i>[Signature]</i>
日期	14/4-2023

a=R0.4
b=R0.5

APPROVED :

6063-T5



SECTIONAL AREA	mm ²	ADDITIONAL TOLERANCE	DATE	REVISION			
				NO.	DATE	NAME	DESCRIPTION
105.2		Thickness ± 0.1 mm	24/02/2023				
WEIGHT	KG/M	Flatness 0.1 /25mm width	SCALE				
0.285		Straightness 0.3 /300mm	1 : 1				
PERIMETER	mm	Twist 0.5° /300 mm max	DRAWN				
131.1		Angularity ± 1.0 degree	-				
V.F.	mm		CHECK				
36							



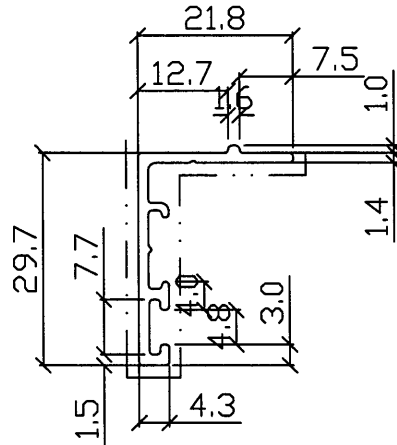
MIDI ALUMINIUM FABRICATOR LTD.

DRAWING NO.
X86441

REV.

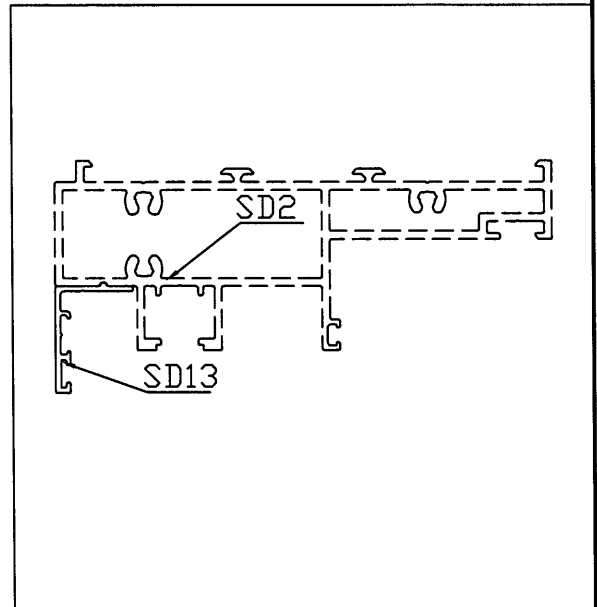
TITLE

-



SCALE 1:1

美特鋁質有限公司	
承認圖面	<i>[Signature]</i>
日期	14/4-2023




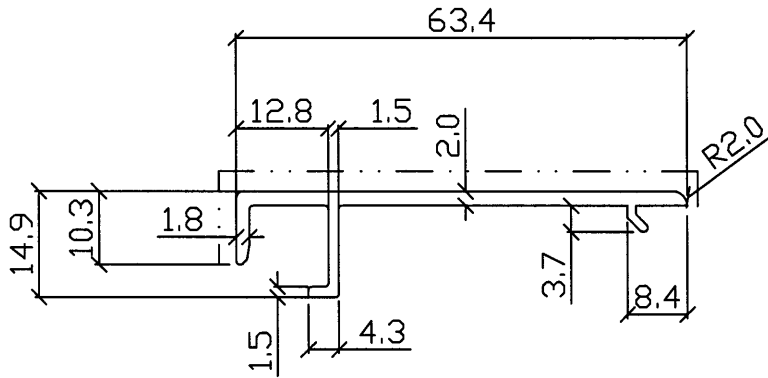
a=R0.4
b=R0.5

APPROVED :

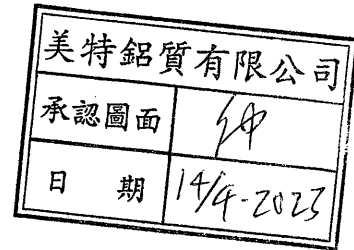
6063-T6

SECTIONAL AREA	mm ²	ADDITIONAL TOLERANCE	DATE	REVISION			
				NO.	DATE	NAME	DESCRIPTION
89.5		Thickness ± 0.1 mm	24/02/2023				
WEIGHT	KG/M	Flatness 0.1 /25mm width	SCALE				
0.245		Straightness 0.3 /300mm	1 : 1				
PERIMETER	mm	Twist 0.5° /300 mm max	DRAWN				
125.8		Angularity ± 1.0 degree	-				
V.F.	mm		CHECK				
100							

 MIDI ALUMINIUM FABRICATOR LTD.	DRAWING NO. X86442	REV. -	TITLE -
--	------------------------------	------------------	-------------------



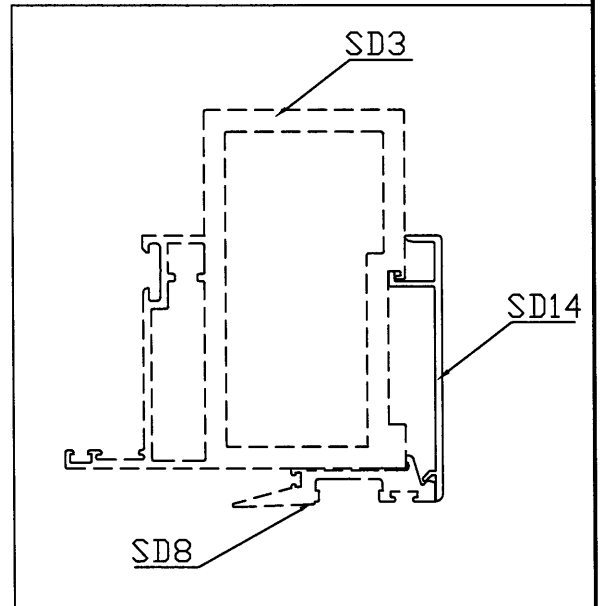
SCALE 1:1



a=R0.4
b=R0.5

APPROVED :

6063-T5



SECTIONAL AREA 168.4 mm ²	ADDITIONAL TOLERANCE Thickness ± 0.1 mm Flatness 0.1 /25mm width	DATE 24/02/2023	REVISION			
WEIGHT 0.456 KG/M	Straightness 0.3 /300mm Twist 0.5° /300 mm max	SCALE 1 : 1	NO.	DATE	NAME	DESCRIPTION
PERIMETER 183.4 mm	Angularity ± 1.0 degree	DRAWN -				
V.F. 85 mm		CHECK				



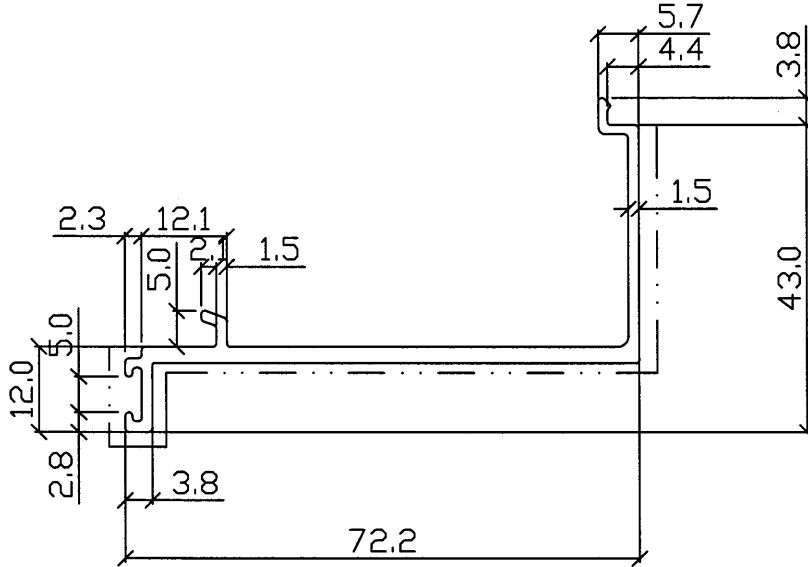
MIDI ALUMINIUM FABRICATOR LTD.

DRAWING NO.
X86443

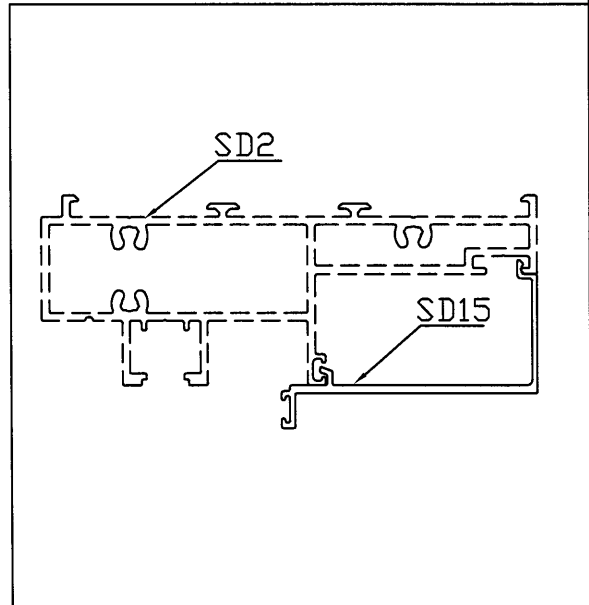
REV.

TITLE

-



美特鋁質有限公司
承認圖面
日期 19/4-2022



a=R0.4
b=R0.5

APPROVED :

6063-T5

SECTIONAL AREA	mm ²	ADDITIONAL TOLERANCE	DATE	REVISION			
				NO.	DATE	NAME	DESCRIPTION
224.2		Thickness ± 0.1 mm	24/02/2023				
WEIGHT	KG/M	Flatness 0.1 /25mm width	SCALE				
0.607		Straightness 0.3 /300mm	1 : 1				
PERIMETER	mm	Twist 0.5° /300 mm max	DRAWN				
268		Angularity ± 1.0 degree	-				
V.F.	mm		CHECK				
136							



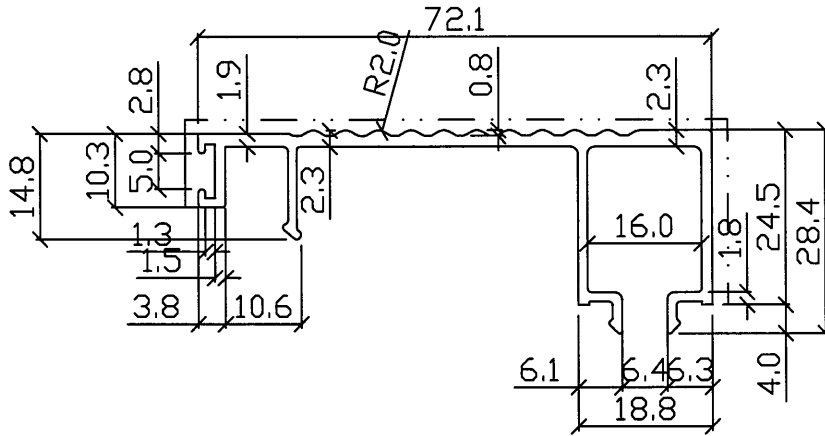
MIDI ALUMINIUM FABRICATOR LTD.

DRAWING NO.
X86444

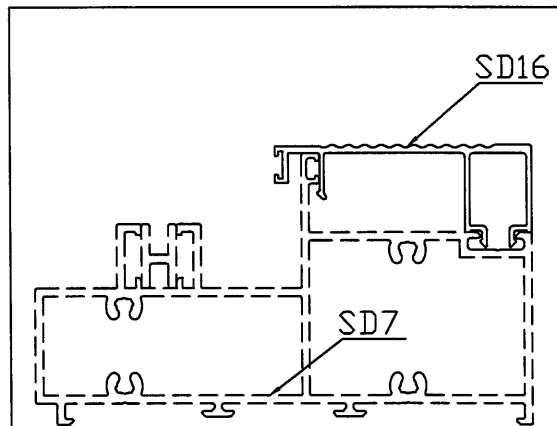
REV.

TITLE

-



美特鋁質有限公司
承認圖面
日期 14/4-2023




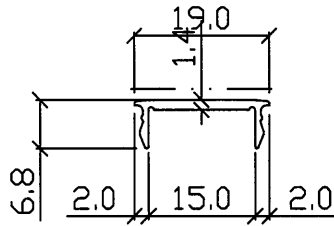
a=R0.4
b=R0.5


APPROVED :

6063-T5

SECTIONAL AREA	mm ²	ADDITIONAL TOLERANCE	DATE	REVISION			
				NO.	DATE	NAME	DESCRIPTION
261		Thickness ± 0.1 mm	24/02/2023				
WEIGHT	KG/M	Flatness 0.1 /25mm width	SCALE				
0.707		Straightness 0.3 /300mm	1 : 1				
PERIMETER	mm	Twist 0.5° /300 mm max	DRAWN				
325.6		Angularity ± 1.0 degree	-				
V.F.	mm		CHECK				
114							

 MIDI ALUMINIUM FABRICATOR LTD.	DRAWING NO. X86445	REV. -	TITLE -
--	------------------------------	------------------	-------------------

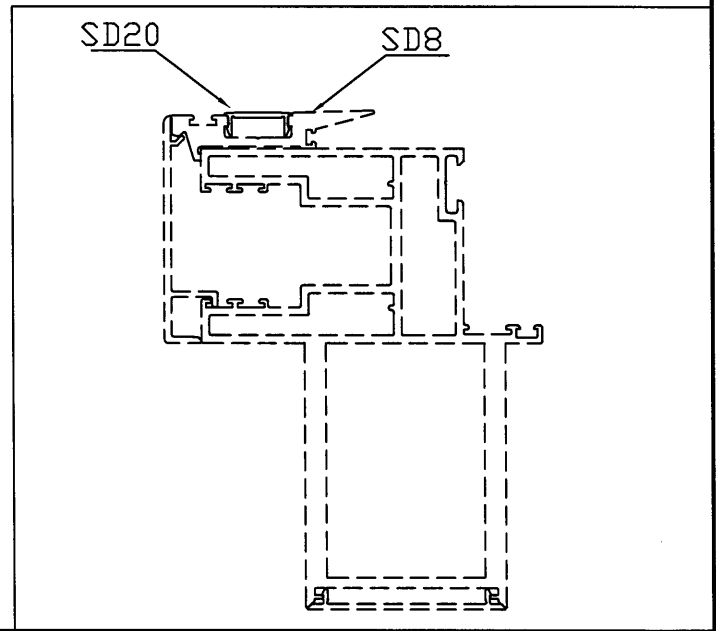


美特鋁質有限公司	
承認圖面	
日期	14/4-2023

a=R0.4
b=R0.5

APPROVED :

6063-T5



SECTIONAL AREA	mm ²	ADDITIONAL TOLERANCE	DATE	REVISION			
				NO.	DATE	NAME	DESCRIPTION
34		Thickness ± 0.1 mm	24/02/2023				
WEIGHT	KG/M	Flatness 0.1 /25mm width	SCALE				
0.091		Straightness 0.3 /300mm	1 : 1				
PERIMETER	mm	Twist 0.5° /300 mm max	DRAWN				
19.2		Angularity ± 1.0 degree	-				
V.F.	mm		CHECK				
55							



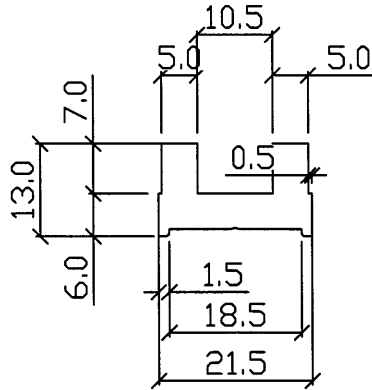
MIDI ALUMINIUM FABRICATOR LTD.

DRAWING NO.
X86446

REV.

TITLE

-

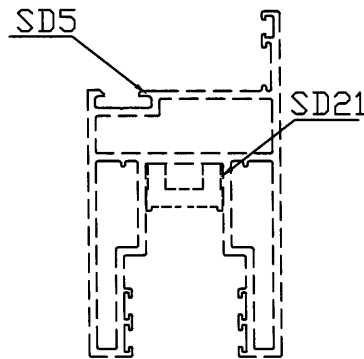


美特鋁質有限公司	
承認圖面	<i>[Signature]</i>
日期	19/4-2023

$a=R0.4$
 $b=R0.5$

APPROVED :

6063-T5



SECTIONAL AREA	mm ²	ADDITIONAL TOLERANCE	DATE	REVISION			
				NO.	DATE	NAME	DESCRIPTION
180		Thickness ± 0.1 mm	24/02/2023				
WEIGHT	KG/M	Flatness 0.1 /25mm width	SCALE				
0.487		Straightness 0.3 /300mm	1 : 1				
PERIMETER	mm	Twist 0.5° /300 mm max	DRAWN				
86.4		Angularity ± 1.0 degree	-				
V.F.	mm		CHECK				
0							



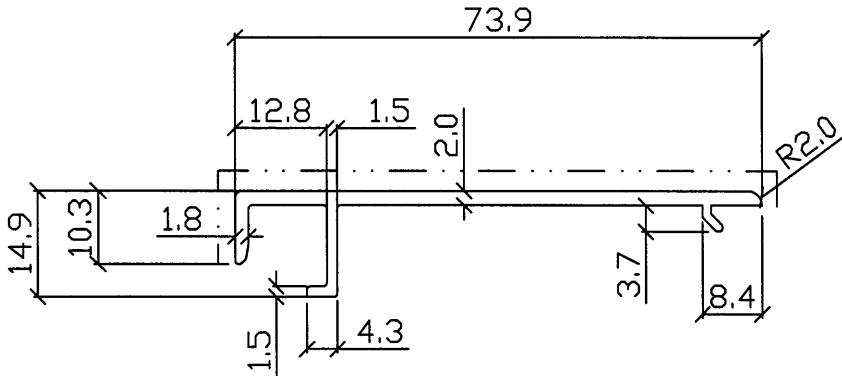
MIDI ALUMINIUM FABRICATOR LTD.

DRAWING NO.
X86447

REV.

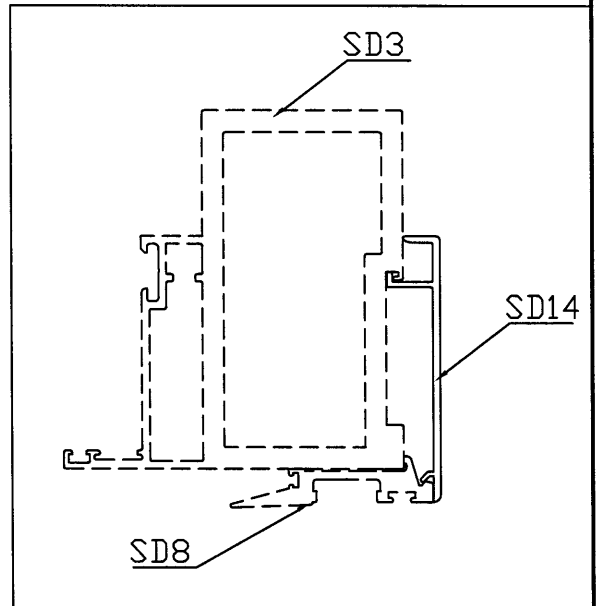
TITLE

-



SCALE 1:1

美特鋁質有限公司	
承認圖面	<i>[Signature]</i>
日期	14/4-2023



a=R0.4
b=R0.5

APPROVED :

6063-T5

SECTIONAL AREA	mm ²	ADDITIONAL TOLERANCE	DATE	REVISION			
				NO.	DATE	NAME	DESCRIPTION
168.4		Thickness ± 0.1 mm	24/02/2023				
WEIGHT	KG/M	Flatness 0.1 /25mm width	SCALE				
0.456		Straightness 0.3 /300mm	1 : 1				
PERIMETER	mm	Twist 0.5° /300 mm max	DRAWN				
183.4		Angularity ± 1.0 degree	-				
V.F.	mm		CHECK				
85							