

工程指示 / 要求簡箋(E.I.)

工程指示編號：EI / 431 / 21 修改版次：-
 工程編號：J - 859 工程名稱：啟德 6551
 工程項目：VMU 窗拆圖
 收件人：生統/謝永林/胡東雲 發件人：Bear Lam 日期：30/12/2021

要求提供 / 確認 事項：

- | | | |
|------------------------------------|-------------------------------------|-------------------------------|
| <input type="checkbox"/> 初步鋁料 B.M. | <input type="checkbox"/> 加工拆圖，然後生產 | <input type="checkbox"/> 尺寸表 |
| <input type="checkbox"/> 正式鋁料 B.M. | <input type="checkbox"/> 技術上資料 / 指示 | <input type="checkbox"/> 報價 |
| <input type="checkbox"/> 配件 B.M. | <input type="checkbox"/> 樣辦或貨品說明書 | <input type="checkbox"/> 分判合約 |

內容：

現提供 J859 VMU 資料，請依照圖紙進行拆圖

1) VMU T6-W1, T9a-W4&W5

2) 鋁料使用與 J856 天榮項目同樣模具，配件同樣為立興配件

謝謝

請在 ASAP 前完成上列要求。

附：

176

以上項目為：

- 原合約工程包 原合約工程加 / 減賬 新工程報價

原因：-

分發東莞各部門：

- () 生產技術總監 連附件 (/) 技術部 連附件 () 生產部 連附件 () 機械設計部 連附件
 () 採購部 連附件 (/) 生產統籌部 連附件 梅 () 小羅&清 連附件
 () 質檢部 連附件 () 會計部 連附件 () 報關組 連附件 (/) 其他 謝永林

連附件

分發其他分判：

- (v) 水洪 連附件

分發香港各部門：

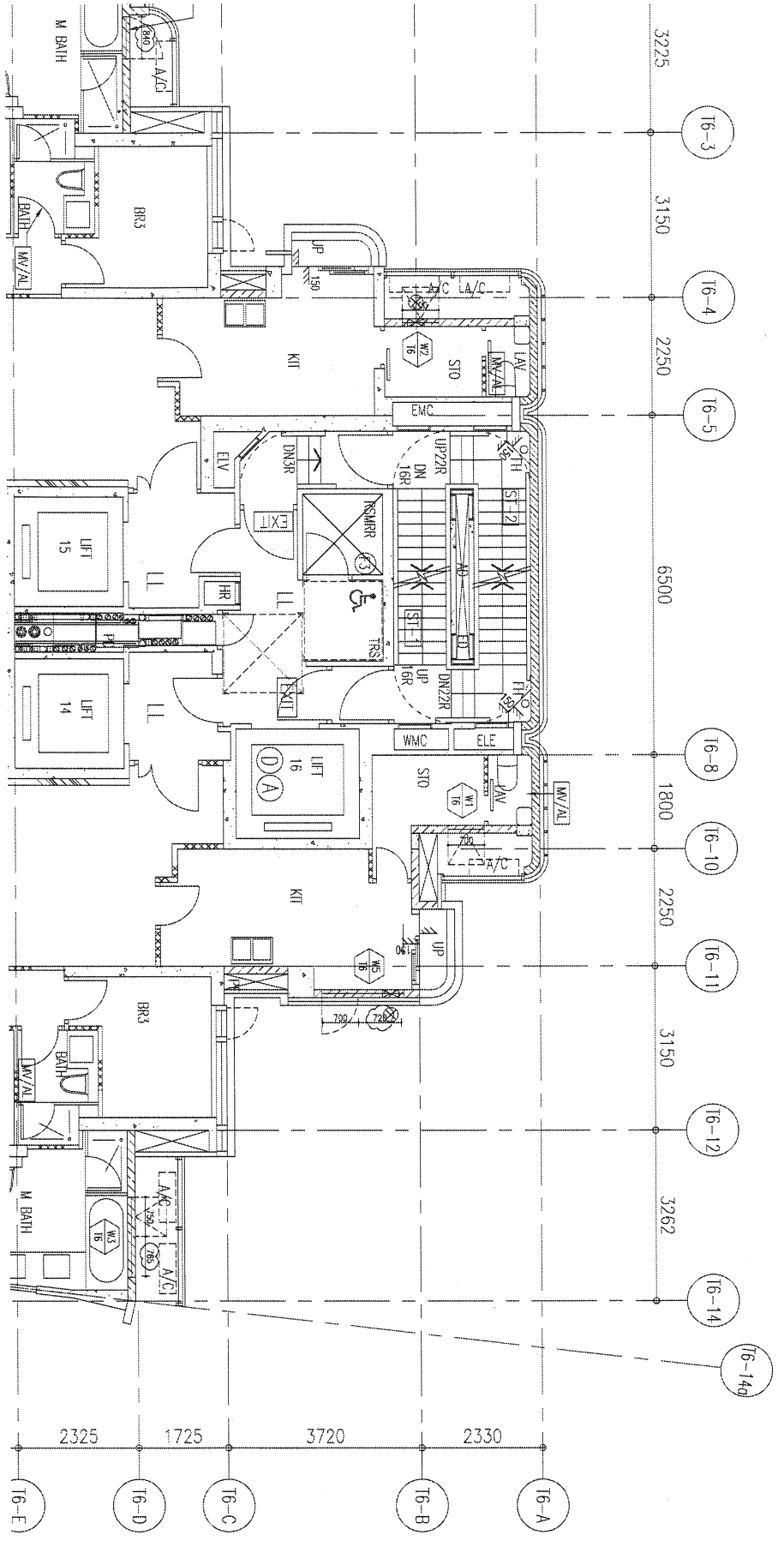
- () 行政部 連附件 () 會計部 連附件 () 統籌部 連附件 () 工程部地盤科文 連附件
 () 採購部 連附件 () QS 部 連附件 () 維修部 連附件 () 其他 _____ 連附件

傳遞編號：

HK/2425/21

發件人簽署：

項目經理簽署：

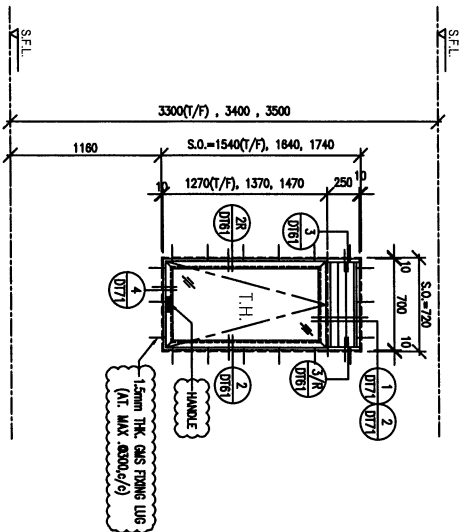


J859

T6

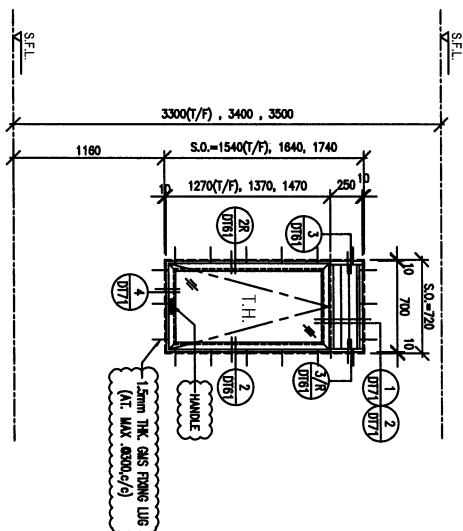
TYPE 1 - 1270H WINDOW + 250H LOUVRE (PF WINDOW)

P/S CHECK GLAZING AND OPENABLE AREA			
FREE AREA(S)	S.O.	OPENABLE AREA	GLAZING AREA
50K	1540	0.72	0.62
	1640	0.78	0.67
	1740	0.84	0.73



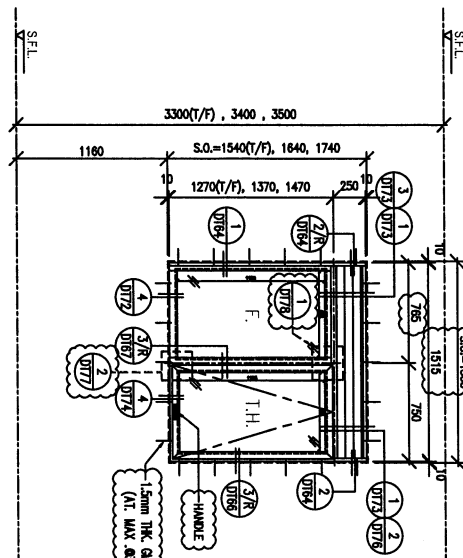
TYPE 1 - 1270H WINDOW + 250H LOUVRE (PF WINDOW)

P/S CHECK GLAZING AND OPENABLE AREA			
FREE AREA(S)	S.O.	OPENABLE AREA	GLAZING AREA
50K	1540	0.72	0.62
	1640	0.78	0.67
	1740	0.84	0.73



TYPE 3 - 1270H FIXED WINDOW + OPENABLE WINDOW (PF WINDOW)

P/S CHECK GLAZING AND OPENABLE AREA			
FREE AREA(S)	S.O.	OPENABLE AREA	GLAZING AREA
50K	1540	0.72	0.62
	1640	0.78	0.67
	1740	0.84	0.73



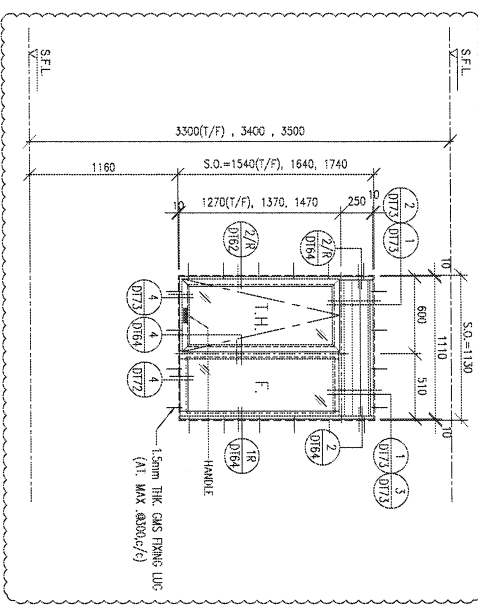
WINDOW MARK	WINDOW MARK	WINDOW MARK												
W1 T6 21 nos.	W2 T6 21 nos.	W3 T6 21 nos.												
LOCATION FLAT A STO AT 2/F TO 26/F FLOOR (16) (4,13,14,24/F OMITTED)	LOCATION FLAT B STO AT 2/F TO 26/F FLOOR (16) (4,13,14,24/F OMITTED)	LOCATION FLAT A M.BATH AT 2/F TO 26/F FLOOR (16) (4,13,14,24/F OMITTED)												
GLAZING G8	GLAZING G8	GLAZING G1, G2a												
WINDOW FRAME 50mm ALUM. WINDOW SECTION	WINDOW FRAME 50mm ALUM. WINDOW SECTION	WINDOW FRAME 70mm ALUM. WINDOW SECTION												
<table border="1"> <thead> <tr> <th colspan="4">P/S CHECK GLAZING AND OPENABLE AREA</th> </tr> <tr> <th>FREE AREA(S)</th> <th>S.O.</th> <th>OPENABLE AREA</th> <th>GLAZING AREA</th> </tr> </thead> <tbody> <tr> <td>50.1K</td> <td>1540</td> <td>0.89</td> <td>0.78</td> </tr> </tbody> </table>			P/S CHECK GLAZING AND OPENABLE AREA				FREE AREA(S)	S.O.	OPENABLE AREA	GLAZING AREA	50.1K	1540	0.89	0.78
P/S CHECK GLAZING AND OPENABLE AREA														
FREE AREA(S)	S.O.	OPENABLE AREA	GLAZING AREA											
50.1K	1540	0.89	0.78											
<table border="1"> <thead> <tr> <th colspan="4">P/S CHECK GLAZING AND OPENABLE AREA</th> </tr> <tr> <th>FREE AREA(S)</th> <th>S.O.</th> <th>OPENABLE AREA</th> <th>GLAZING AREA</th> </tr> </thead> <tbody> <tr> <td>50.1K</td> <td>1540</td> <td>0.89</td> <td>0.78</td> </tr> </tbody> </table>			P/S CHECK GLAZING AND OPENABLE AREA				FREE AREA(S)	S.O.	OPENABLE AREA	GLAZING AREA	50.1K	1540	0.89	0.78
P/S CHECK GLAZING AND OPENABLE AREA														
FREE AREA(S)	S.O.	OPENABLE AREA	GLAZING AREA											
50.1K	1540	0.89	0.78											
<table border="1"> <thead> <tr> <th colspan="4">P/S CHECK GLAZING AND OPENABLE AREA</th> </tr> <tr> <th>FREE AREA(S)</th> <th>S.O.</th> <th>OPENABLE AREA</th> <th>GLAZING AREA</th> </tr> </thead> <tbody> <tr> <td>50K</td> <td>1540</td> <td>0.78</td> <td>2.19</td> </tr> </tbody> </table>			P/S CHECK GLAZING AND OPENABLE AREA				FREE AREA(S)	S.O.	OPENABLE AREA	GLAZING AREA	50K	1540	0.78	2.19
P/S CHECK GLAZING AND OPENABLE AREA														
FREE AREA(S)	S.O.	OPENABLE AREA	GLAZING AREA											
50K	1540	0.78	2.19											

WINDOW FRAME 70mm ALUM. WINDOW SECTION WINDOW FRAME 70mm ALUM. WINDOW SECTION WINDOW FRAME 70mm ALUM. WINDOW SECTION

TYPE 3 - 1270H FIXED WINDOW + OPENABLE WINDOW (PF WINDOW)

PLS CHECK GLAZING AND OPENABLE AREA

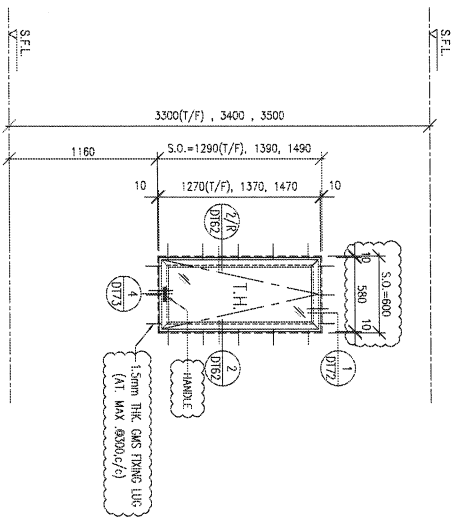
FREE AREA(%)	S.O.	OPENABLE AREA	GLAZING AREA
58.1%	1540	0.61	0.96
	S.O.	OPENABLE AREA	GLAZING AREA
	1640	0.56	1.04
	S.O.	OPENABLE AREA	GLAZING AREA
	1740	0.71	1.09



TYPE 4 - 1270H WINDOW (PF WINDOW)

PLS CHECK GLAZING AND OPENABLE AREA

FREE AREA(%)	S.O.	OPENABLE AREA	GLAZING AREA
58.1%	1390	0.58	0.48
	S.O.	OPENABLE AREA <td>GLAZING AREA</td>	GLAZING AREA
	1490	0.63	0.52
	S.O.	OPENABLE AREA <td>GLAZING AREA</td>	GLAZING AREA
	1590	0.69	0.57



WINDOW MARK	W4 19A 21 nos.	WINDOW MARK	W5 19A 6 nos.	WINDOW MARK	
LOCATION	UNIT A KIT AT 2/F TO 26/F FLOOR (19A) (4,13,14,24/F OMITTED)	LOCATION	UNIT A BR2 2/F TO 8/F FLOOR (19A) (4/F OMITTED)	LOCATION	
GLAZING	G2	GLAZING	G2	GLAZING	
WINDOW FRAME	70mm ALUM. WINDOW SECTION	WINDOW FRAME	70mm ALUM. WINDOW SECTION	WINDOW FRAME	