

工程指示 / 要求簡箋 ENGINEER INSTRUCTIONS(E.I.)

工程指示編號:	EI- 4151	修改版本:	D
	HK- 0550		
工程編號:	J 859	工程名稱:	NKIL6551
收件人:	生統/謝永林/林仁安	發件人:	Bear Lam
工程項目:	試模窗拆圖(更新圖紙)	日期:	04/04/2022

<input type="checkbox"/> 原合約工程包	<input type="checkbox"/> 原合約工程加 / 減賬 QT-	<input type="checkbox"/> 新工程報價 QT-
---------------------------------	--	------------------------------------

信件批核號碼/圖紙參考編號:	批核模具圖紙編號:
客戶指示附件:	管理內部批簽署:

<input type="checkbox"/> 初步鋁料 B.M.	<input type="checkbox"/> 加工拆圖, 然後生產	<input type="checkbox"/> 尺寸表
<input type="checkbox"/> 正式鋁料 B.M.	<input type="checkbox"/> 技術上資料/指示	<input type="checkbox"/> 報價
<input type="checkbox"/> 配件 B.M.	<input type="checkbox"/> 樣辦或貨品說明書	<input type="checkbox"/> 分判合約
<input type="checkbox"/> 其他:		

內容: D版:提供最新圖紙, 請按此拆圖
現提供J859項目大圖, 請依照圖紙進行拆圖
1) 佛沙窗圖T1-T9 已合併為一份
2) 各款窗撐型號, 注:T1-W12 是暫時唯一用HYLS的平開窗, 當平開窗重量超出54KG時, 需要由HHMS轉為HYLS
3) 如模具尚未確定的或處於欠料狀態的, 請使用拼夾料替代

完成上列要求日期: 09/04/2022

國內

<input type="checkbox"/> 生產技術總監	<input type="checkbox"/> 連附件	<input checked="" type="checkbox"/> 技術部	<input checked="" type="checkbox"/> 連附件	<input type="checkbox"/> 生產部	<input type="checkbox"/> 連附件
<input type="checkbox"/> 採購部	<input type="checkbox"/> 連附件	<input checked="" type="checkbox"/> 生產統籌部	<input checked="" type="checkbox"/> 連附件	<input type="checkbox"/> 報關組	<input type="checkbox"/> 連附件
<input type="checkbox"/> 質檢部	<input type="checkbox"/> 連附件	<input type="checkbox"/> 會計部	<input type="checkbox"/> 連附件	<input type="checkbox"/> 機械設計部	<input type="checkbox"/> 連附件
<input type="checkbox"/> 其他:					

香港

<input type="checkbox"/> 行政部	<input type="checkbox"/> 連附件	<input type="checkbox"/> 會計部	<input type="checkbox"/> 連附件	<input type="checkbox"/> 統籌部	<input type="checkbox"/> 連附件	<input type="checkbox"/> 工程部	<input type="checkbox"/> 連附件
<input type="checkbox"/> 採購部	<input type="checkbox"/> 連附件	<input type="checkbox"/> QS部	<input type="checkbox"/> 連附件	<input type="checkbox"/> 地盤管理	<input type="checkbox"/> 連附件	<input checked="" type="checkbox"/> 維修部	<input type="checkbox"/> 連附件

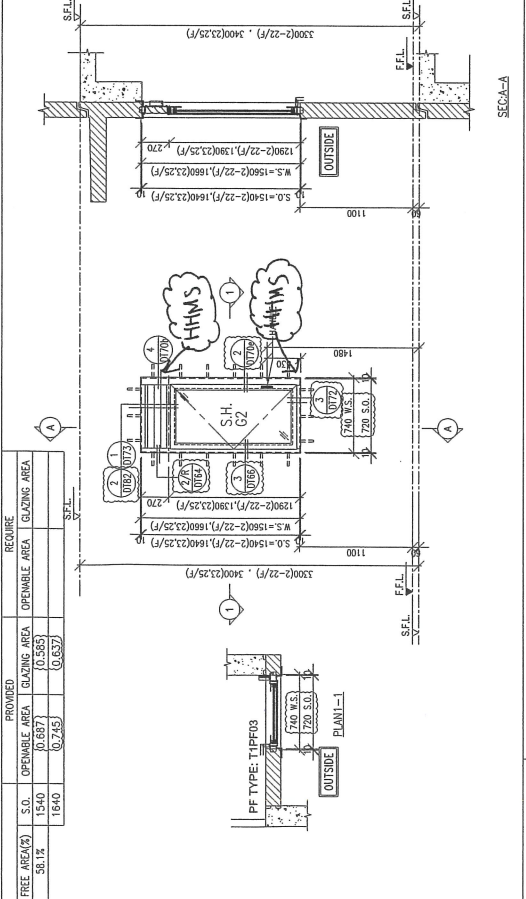
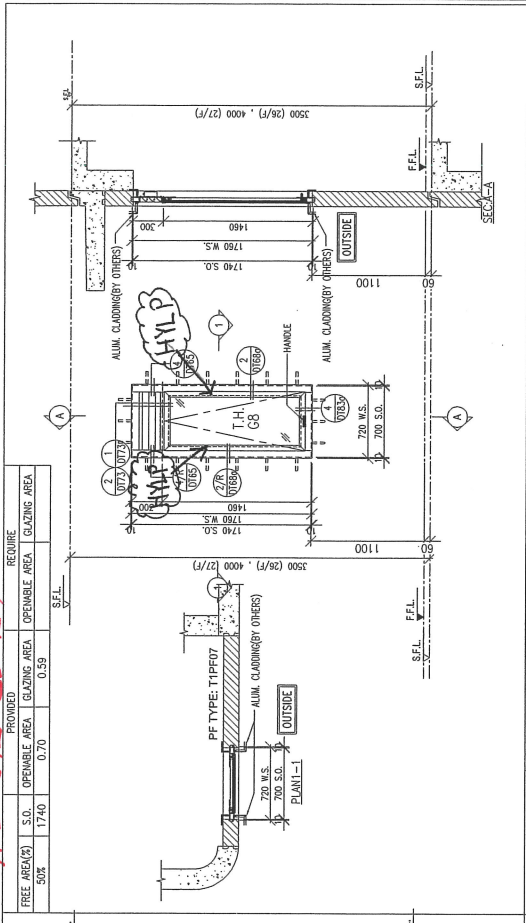
*發件人簽署: <i>Bear Lam</i>	*組別成員批核簽署: <i>Don</i>
傳遞編號:	項目經理簽署: <i>Don</i>

石記心窗採型意思 (文庫)

B.D. REF :
WONG TUNG & PARTNERS LIMITED
 ARCHITECTS & PLANNERS
SUN HUNG KAI
 STRUCTURAL ENGINEER
 SUN HUNG KAI CENTRE, WANCHAI, HONGKONG
 FACADE CONSULTANT
ALPHA CONSULTING LIMITED
 Steel Structure & Facade Specialist
Sanfield Engineering
 Construction Ltd.
 CLIENT :
SUN HUNG KAI
 REAL ESTATE AGENCY LTD.
 427 SHIP HARBOR CENTRE, WANCHAI, HONGKONG

PROJECT :
 PROPOSED RESIDENTIAL / COMMERCIAL
 DEVELOPMENT AT NO.1 AND 85/1 KAI
 TAK AREA, PHASE 3
 KAI TAK, KOWLOON
 TITLE :
 WINDOW SCHEDULE
 FOR PRECAST FACADE
 AT TOWER 1
 JOB NO. :
 J-859
 REVISION SUBJECT TO APPROVEMENT
 BY
 DATE
 REVISION

DATE : 23-Nov-21
 SCALE : 1:50 (A3)
 DRAWN BY : IVAN
 CHECKED BY :
 美特鋁質有限公司
 MIDDI ALUMINIUM FABRICATOR LTD.
 Units 5-8, Sunny Industrial Centre, 1/F
 810 Chee Kwo Ling Road, Kowloon
 TEL:2489211-4 Fax:(852)2727866
 DWG NO. :J859-S0-PW-1102 REV. : A



FREE AREA (%)	S.O.	OPENABLE AREA	GLAZING AREA	GLAZING AREA
58.1%	1740	0.70	0.59	

WINDOW MARK: $\frac{W8}{T1}$ 2 nos.

LOCATION: FLAT B STO AT 26/F TO 27/F FLOOR (T1)

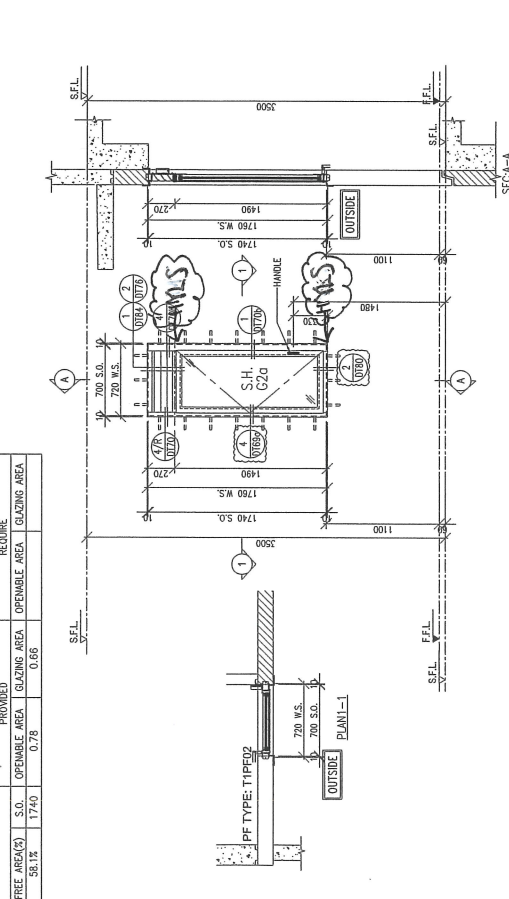
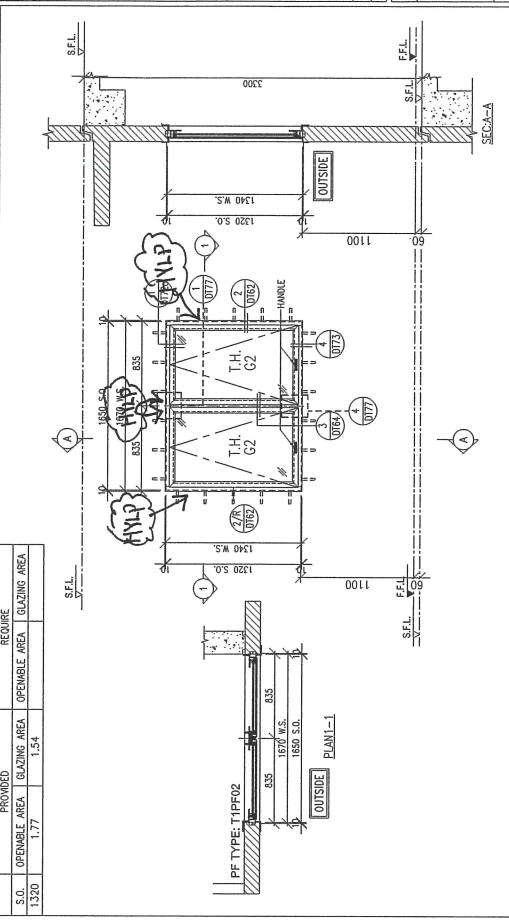
GLAZING: G8

FREE AREA (%)	S.O.	OPENABLE AREA	GLAZING AREA	GLAZING AREA
58.1%	1740	0.78	0.66	

WINDOW MARK: $\frac{W6}{T1}$ 23/F, 25/F 18 nos. 2 nos.

LOCATION: FLAT A KIT AT 2/F TO 25/F FLOOR (T1) (4,13,14,24/F OMITTED)

GLAZING: G2



FREE AREA (%)	S.O.	OPENABLE AREA	GLAZING AREA	GLAZING AREA
58.1%	1740	0.78	0.66	

WINDOW MARK: $\frac{W12}{T1}$ 1 no.

LOCATION: Victoria Manor Bath 1 AT 26/F FLOOR (T1)

GLAZING: G2a

FREE AREA (%)	S.O.	OPENABLE AREA	GLAZING AREA	GLAZING AREA
58.1%	1740	0.78	0.66	

WINDOW MARK: $\frac{W6}{T1}$ 2 nos.

LOCATION: FLAT B STO AT 26/F TO 27/F FLOOR (T1)

GLAZING: G2

WINDOW FRAME: 70mm ALUM. WINDOW SECTION

WINDOW FRAME: 50mm ALUM. WINDOW SECTION

WINDOW FRAME: 70mm ALUM. WINDOW SECTION

WINDOW FRAME: 70mm ALUM. WINDOW SECTION

WINDOW FRAME: 70mm ALUM. WINDOW SECTION

WINDOW FRAME: 70mm ALUM. WINDOW SECTION

NOTE :
 1. ALL DIMENSIONS ARE IN mm.
 2. ALL ELEVATIONS ARE VIEWED FROM OUTSIDE.
 3. ALL DIMENSIONS TO BE VERIFIED ON SITE BEFORE FABRICATION.
 LEGEND :
 (X) DETAIL MARK NO.
 (Y) REFER SHEET NO.
 1. F.F.L. -- FINISHED FLOOR LEVEL
 2. S.F.L. -- STRUCTURAL FLOOR LEVEL
 3. (A) -- REVERSED DETAIL
 4. GLASS LEGEND
 G1-6mmHS+12mm AIR GAP+10mmTP I.G.U.
 G2-6mmHS+12mm AIR GAP+8mmTP I.G.U.
 G2a-6mmHS+12mm AIR GAP+8mmTP I.G.U.
 G2b-6mmHS+12mm AIR GAP+8mmTP I.G.U.
 4mm FEATURED GLASS (IGU) TP+1,LS2PB
 68-6mm GREY HS+1,LS2PB+6mm CLEAR IS

WINDOW MARK: $\frac{W6}{T1}$ 1 nos.

LOCATION: 22/F FLOOR (T1)

GLAZING: G2

WINDOW FRAME: 70mm ALUM. WINDOW SECTION

立興(楊氏)有限公司

LIP HING (YEUNG'S) COMPANY LIMITED

HYLS系列平開窗不鏽鋼窗較

"HYLS" SERIES STAINLESS STEEL FRICTION HINGE FOR SIDE HUNG WINDOW

特徵

物料: 304不鏽鋼

50,000次嚴格開關測試後仍能操作正常, 確保

恒久耐用

質量符合英國BS6375-2:2019和新加坡

SS212:2007標準

必須跟不鏽鋼墊片一起使用為達致理想效果

Features

Material: Grade 304 stainless steel

Durability proven by opening and closing test

50,000 times

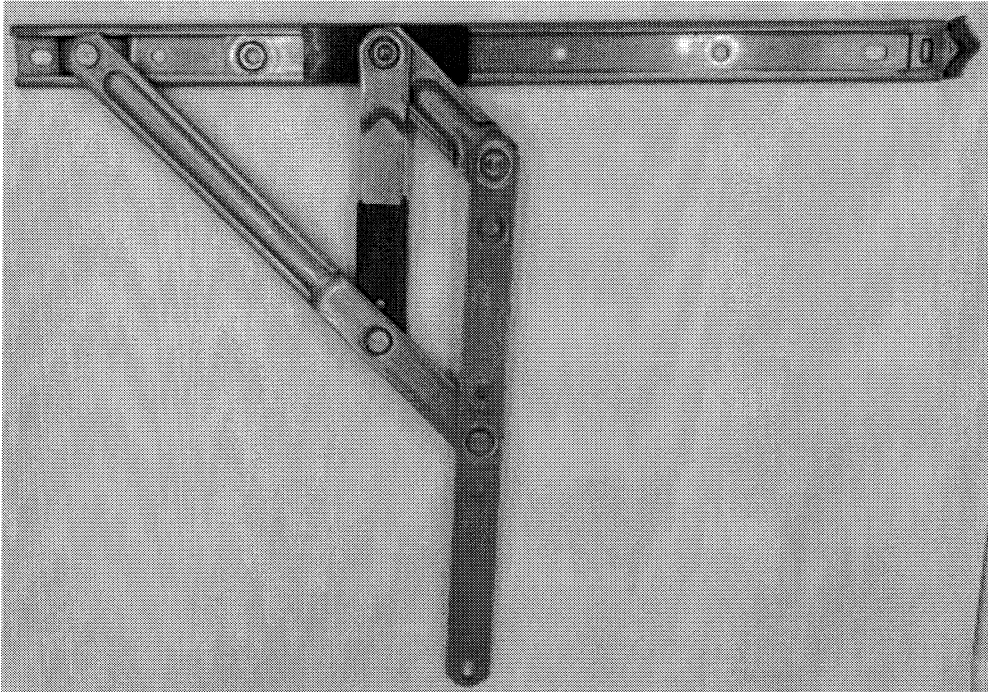
Satisfied the requirements of British Standard

BS6375-2:2009 and Singaporean Standard

SS212:2007.

To maximize the functionality of the hinges, must

install with stainless steel plate



建議鋁窗規格

SUGGESTED WINDOW SPECIFICATION

(Window sash size is for reference only while window loading is the main determinant)
(窗扇高及寬只作參考用, 以窗重量為準)

Model No. 型號	窗扇最高 Max. Sash Height (mm)	窗扇最寬 Max. Sash Width (mm)	窗最重 Max. Loading (KG)	窗開角度 Opening (+0/-5°)
HYLS18	1700	695	82	90°
HYLS16	1700	682	83	90°
HYLS14	1700	582	68	90°
HYLS12	1700	522	60	90°

立興(楊氏)有限公司

香港葵涌 葵昌路26-38號
豪華工業大廈8字樓D座

中國廣東深圳市 光明新區

玉塘街道 田寮社區田益一街10號

立興楊氏實業(深圳)有限公司

電話 (852) 2412 2288 / 2423 8620 / 2412 2490 | 傳真 (852) 2489 2766
電郵 main@liphingyeungs.com.hk | 網址 sz-liphingyeungs.com

立興(楊氏)有限公司

LIP HING (YEUNG'S) COMPANY LIMITED

HLP 系列不鏽鋼窗較 (頂懸窗)

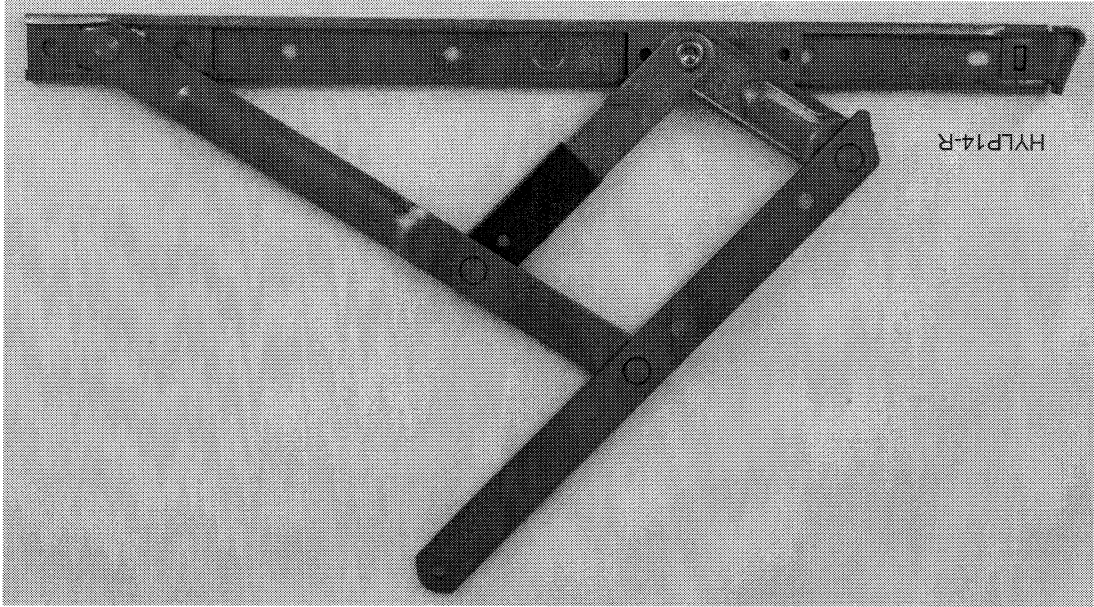
HLP SERIES STAINLESS STEEL HINGE (FOR TOP HUNG WINDOW)

特徵

- ✦ 物料: 304不鏽鋼
- ✦ 50,000次嚴格開關測試後仍能操作正常, 確保恆久耐用
- ✦ 質量符合英國BS6375-2:2009
- ✦ 必須安裝不鏽鋼墊片為達致理想效果

Features

- ✦ Durability proven by opening and closing test 50,000 times
- ✦ Satisfied the requirements of British Standard BS6375-2:2009
- ✦ To maximize the functionality of the hinges, must install with stainless steel plate



建議鋁窗規格 SUGGESTED WINDOW SPECIFICATION

(Window sash size is for reference only while window loading is the main determinant)
(窗扇高及寬只作參考用, 以窗重量為準)

Model No.	頂窗扇最高 Sash Height (mm)	頂窗扇最寬 Sash Width (mm)	頂窗扇最重 Max. Top Hung Loading (KG)	頂窗開角度 Top Hung Opening (+0°/-5°)
HYP14-L	1000	1500	92	90°
HYP16-R	1300	1500	120	90°
HYP18-L	1600	1500	147	90°

窗會因不同小重量而影響導致窗會下滑或急速下滑, 敬請注意。

Please be notified that size and loading of the window might cause chances of sliding down or hastening the descent.



立興(楊氏)有限公司

香港葵涌 葵昌路26-38號

豪華工業大廈8字樓D座

立興楊氏實業(深圳)有限公司

中國廣東深圳市 光明新區

玉塘街道 田寮社區田益一街10號

電郵 main@liphingyeungs.com.hk | 網址 sz-liphingyeungs.com

電話 (852) 2412 2288 / 2423 8620 / 2412 2490 | 傳真 (852) 2489 2766

立興(楊氏)有限公司

LIP HING (YEUNG'S) COMPANY LIMITED

HHMS-N系列平開窗不銹鋼窗較

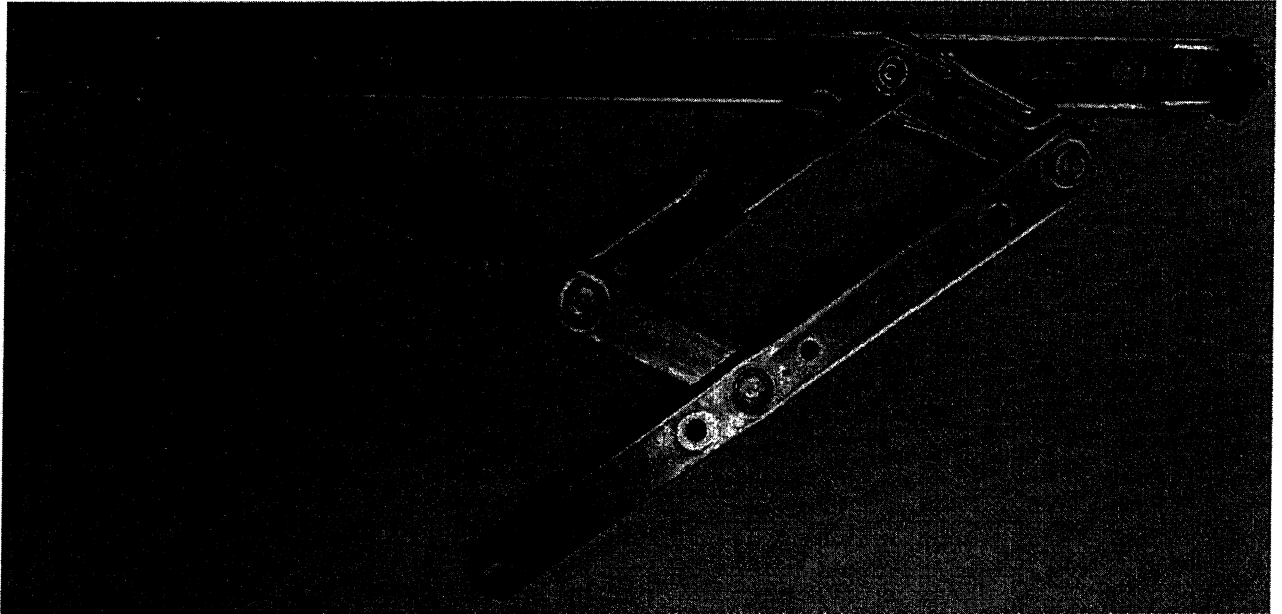
"HHMS-N" SERIES STAINLESS STEEL FRICTION HINGE FOR SIDE HUNG WINDOW

特徵

- ❖ 物料: 304不銹鋼
- ❖ 50,000次嚴格開關測驗後仍能操作正常, 確保永久耐用
- ❖ 質量符合英國BS6375-2:2019和新加坡SS212:2007標準

Features

- Material: Grade 304 stainless steel
- ❖ Durability proven by opening and closing test 50,000 times
- ❖ Satisfied the requirements of British Standard BS6375-2:2009 and Singaporean Standard SS212:2007.



建議鋁窗規格 SUGGESTED WINDOW SPECIFICATION

(Window sash size is for reference only while window loading is the main determinant)
(窗扇高及寬只作參考用, 以窗重量為準)

Model No. 型號	Max. Sash Height (mm) 窗扇最高	Max. Sash Width (mm) 窗扇最寬	Max. Loading (KG) 窗最重	Opening Angle (+0°/-5°) 窗開角度
HHMS-N18	1700	700	54 = 48 x 0.85	35°/45°/90°
HHMS-N16	1700	685	53 = 45 x 0.85	40°/45°/90°
HHMS-N14	1700	585	47 = 39 x 0.85	90°
HHMS-N12	1700	525	41 = 34 x 0.85	90°

立興(楊氏)有限公司

香港葵涌葵昌路26-38號
豪華工業大廈8字樓D座

中國廣東深圳市光明新區

玉塘街道田寮社區田益一街10號

立興楊氏實業(深圳)有限公司

電話 (852) 2412 2289 / 2423 8620 / 2412 2490 | 傳真 (852) 2489 2766

電郵 main@liphingyeungs.com.hk | 網址 sz-liphingyeungs.com

PROJECT :

2

**PROPOSED RESIDENTIAL / COMMERCIAL
DEVELOPMENT AT NKIL NO.6551 KAI
TAK AREA 4C, SITE 3
KAI TAK, KOWLOON**

**SHOPDRAWING SUBMISSION FOR
PRE-CAST ALUM. WINDOW & LOUVRE
(TOWER 1, TOWER 2, TOWER 3
(TOWER 5, TOWER 6, TOWER 7
(TOWER 8, TOWER 9, TOWER 9A)**

DATE : 28 - Mar - 2022

 **美特鋁質有限公司**
MIDI ALUMINIUM FABRICATOR LTD.

Units 6-8, Sunray Industrial Centre, 1/F
610 Cha Kwo Ling Road, Kowloon
Tel:23489211-4 Fax:(852)27727666

DWG NO. : J859-SD-PW-0000

REV. : 0

DRAWING SUBMISSION REGISTER

NO.	DRAWING TITLE	DWG. NO.	DATE OF ISSUE							SUBMISSION STATE (FOR B.D / A.S.D)			SUBMISSION STATE (FOR CLIENT / CONSULTANT)			SUBMISSION STATE (FOR ARCHITECT)			FABRICATION / CONSTRUCTION STATE					
			ISSUE	1	2								AP - APPROVED			AP - APPROVED			AP - APPROVED			ISSUE TO CHINA OFFICE	ISSUE TO SITE	ISSUE TO SUB-CONTRACTOR
			DAY	04	28								AC - APPROVED SUB. TO CONDITION			AC - APPROVED SUB. TO CONDITION			AC - APPROVED SUB. TO CONDITION					
			MONTH	03	03								NA - NOT APPROVED			NA - NOT APPROVED			NA - NOT APPROVED					
			YEAR	22	22																			
COMMENT DATE	REV.	STATE	COMMENT DATE	REV.	STATE	COMMENT DATE	REV.	STATE	COMMENT DATE	REV.	STATE	COMMENT DATE	REV.	STATE	REV.	DATE	REV.	DATE	REV.	DATE				
01	COVER PAGE	J859-SD-PW-0000	1	2																				
02	DRAWING REGISTER	J859-SD-PW-0001	-	A																				
03	DRAWING REGISTER	J859-SD-PW-0002	-	A																				
04	GENERAL NOTES FOR ALUM. WINDOW (TOWER 1 - TOWER 9)	J859-SD-GN-0005	-	-																				
05	DIE LIST FOR ALUM. WINDOW (TOWER 1 - TOWER 9)	J859-SD-PW-0011	-	-																				
06	DIE LIST FOR ALUM. WINDOW (TOWER 1 - TOWER 9)	J859-SD-PW-0012	-	-																				
07	DIE LIST FOR ALUM. WINDOW (TOWER 1 - TOWER 9)	J859-SD-PW-0013	-	-																				
08	2-6/F WINDOW LOCATION PLAN FOR PRECAST FACADE AT TOWER 1	J859-SD-PL-101	-	-																				
09	7-25/F WINDOW LOCATION PLAN FOR PRECAST FACADE AT TOWER 1	J859-SD-PL-102	-	-																				
10	26/F WINDOW LOCATION PLAN FOR PRECAST FACADE AT TOWER 1	J859-SD-PL-103	-	-																				
11	27/F WINDOW LOCATION PLAN FOR PRECAST FACADE AT TOWER 1	J859-SD-PL-104	-	-																				
12	2-19/F WINDOW LOCATION PLAN FOR PRECAST FACADE AT TOWER 2	J859-SD-PL-201	-	-																				
13	20/F WINDOW LOCATION PLAN FOR PRECAST FACADE AT TOWER 2	J859-SD-PL-202	-	-																				
14	21/F WINDOW LOCATION PLAN FOR PRECAST FACADE AT TOWER 2	J859-SD-PL-203	-	-																				
15	22/F WINDOW LOCATION PLAN FOR PRECAST FACADE AT TOWER 2	J859-SD-PL-204	-	-																				
16	23-25/F WINDOW LOCATION PLAN FOR PRECAST FACADE AT TOWER 2	J859-SD-PL-205	-	-																				
17	26/F WINDOW LOCATION PLAN FOR PRECAST FACADE AT TOWER 2	J859-SD-PL-206	-	-																				
18	2-26/F WINDOW LOCATION PLAN FOR PRECAST FACADE AT TOWER 3	J859-SD-PL-301	-	-																				
19	27/F WINDOW LOCATION PLAN FOR PRECAST FACADE AT TOWER 3	J859-SD-PL-302	-	-																				
20	28/F WINDOW LOCATION PLAN FOR PRECAST FACADE AT TOWER 3	J859-SD-PL-303	-	-																				
21	2-26/F WINDOW LOCATION PLAN FOR PRECAST FACADE AT TOWER 5	J859-SD-PL-501	-	-																				
22	27/F WINDOW LOCATION PLAN FOR PRECAST FACADE AT TOWER 5	J859-SD-PL-502	-	-																				
23	2-26/F WINDOW LOCATION PLAN FOR PRECAST FACADE AT TOWER 6	J859-SD-PL-601	-	-																				
24	27/F WINDOW LOCATION PLAN FOR PRECAST FACADE AT TOWER 6	J859-SD-PL-602	-	-																				
25	2-26/F WINDOW LOCATION PLAN FOR PRECAST FACADE AT TOWER 7	J859-SD-PL-701	-	-																				
26	27/F WINDOW LOCATION PLAN FOR PRECAST FACADE AT TOWER 7	J859-SD-PL-702	-	-																				
27	28/F WINDOW LOCATION PLAN FOR PRECAST FACADE AT TOWER 7	J859-SD-PL-703	-	-																				
28	2-8/F WINDOW LOCATION PLAN FOR PRECAST FACADE AT TOWER 8	J859-SD-PL-801	-	-																				
29	9-26/F WINDOW LOCATION PLAN FOR PRECAST FACADE AT TOWER 8	J859-SD-PL-802	-	-																				
30	27/F WINDOW LOCATION PLAN FOR PRECAST FACADE AT TOWER 8	J859-SD-PL-803	-	-																				
31	28/F WINDOW LOCATION PLAN FOR PRECAST FACADE AT TOWER 8	J859-SD-PL-804	-	-																				
32	2-8/F WINDOW LOCATION PLAN FOR PRECAST FACADE AT TOWER 9 / 9A	J859-SD-PL-901	-	-																				
33	9-25/F WINDOW LOCATION PLAN FOR PRECAST FACADE AT TOWER 9 / 9A	J859-SD-PL-902	-	-																				
34	26/F WINDOW LOCATION PLAN FOR PRECAST FACADE AT TOWER 9 / 9A	J859-SD-PL-903	-	-																				
35	27/F WINDOW LOCATION PLAN FOR PRECAST FACADE AT TOWER 9 / 9A	J859-SD-PL-904	-	-																				
36	WINDOW SCHEDULE FOR PRECAST FACADE AT TOWER 1	J859-SD-PW-1101	-	A																				
37	WINDOW SCHEDULE FOR PRECAST FACADE AT TOWER 1	J859-SD-PW-1102	-	A																				
38	WINDOW SCHEDULE FOR PRECAST FACADE AT TOWER 2	J859-SD-PW-2101	-	A																				
39	WINDOW SCHEDULE FOR PRECAST FACADE AT TOWER 2	J859-SD-PW-2102	-	A																				
40	WINDOW SCHEDULE FOR PRECAST FACADE AT TOWER 3	J859-SD-PW-3101	-	A																				
41	WINDOW SCHEDULE FOR PRECAST FACADE AT TOWER 5	J859-SD-PW-5101	-	A																				
42	WINDOW SCHEDULE FOR PRECAST FACADE AT TOWER 5	J859-SD-PW-5102	-	A																				
43	WINDOW SCHEDULE FOR PRECAST FACADE AT TOWER 6	J859-SD-PW-6101	-	A																				
44	WINDOW SCHEDULE FOR PRECAST FACADE AT TOWER 6	J859-SD-PW-6102	-	A																				
45	WINDOW SCHEDULE FOR PRECAST FACADE AT TOWER 7	J859-SD-PW-7101	-	A																				
46	WINDOW SCHEDULE FOR PRECAST FACADE AT TOWER 8	J859-SD-PW-8101	-	A																				
47	WINDOW SCHEDULE FOR PRECAST FACADE AT TOWER 9	J859-SD-PW-9101	-	A																				
48	WINDOW SCHEDULE FOR PRECAST FACADE AT TOWER 9	J859-SD-PW-9102	-	A																				

B.D. REF :

ARCHITECT :
WONG TUNG & PARTNERS LIMITED
 ARCHITECTS & PLANNERS

STRUCTURAL ENGINEER :
SUN HUNG KAI
 ARCHITECTS AND ENGINEERS LTD.
SUN HUNG KAI CENTRE, WANCHAI, HONGKONG
 TEL: 28278111 FAX: 28272884

FACADE CONSULTANT:
ALPHA CONSULTING LIMITED
 Steel Structure & Facade Specialist

MAIN CONTRACTOR :
Sanfield Engineering Construction Ltd.

CLIENT :
SUN HUNG KAI
 REAL ESTATE AGENCY LTD.
42/F SUN HUNG KAI CENTRE, WANCHAI, HONGKONG

NOTE :
 1. ALL DIMENSIONS ARE IN mm.
 2. ALL ELEVATIONS ARE VIEWED FROM OUTSIDE.
 3. ALL DIMENSIONS TO BE VERIFIED ON SITE BEFORE FABRICATION.

LEGEND :
 -- DETAIL MARK NO.
 -- REFER SHEET NO.

1. F.F.L. -- FINISHED FLOOR LEVEL
 2. S.F.L. -- STRUCTURAL FLOOR LEVEL
 3. /R -- REVERSED DETAIL

A	28-03-2022	REVISION SUBJECT TO ARCH. COMMENT	IVAN
NO.	DATE	REVISION	BY

JOB NO. : J-859

PROJECT : PROPOSED RESIDENTIAL / COMMERCIAL DEVELOPMENT AT NKIL NO.6551 KAI TAK AREA 4C, SITE 3 KAI TAK, KOWLOON

TITLE : DRAWING LIST OF PRE-CAST ALUM. WINDOW (TOWER 7, TOWER 8, TOWER 9 / 9A)

DATE : 15-Nov-21 SCALE : 1:2 (A3)

DRAWN BY : IVAN CHECKED BY :

美特鋁質有限公司
MIDI ALUMINIUM FABRICATOR LTD.
Units 6-8, Sunray Industrial Centre, 1/F
 610 Cha Kwo Ling Road, Kowloon
 Tel: 23489211-4 Fax: (852) 27727666

DWG NO. : J859-SD-PW-0001 REV. : A

DRAWING SUBMISSION REGISTER

NO.	DRAWING TITLE	DWG. NO.	DATE OF ISSUE							SUBMISSION STATE (FOR B.D / A.S.D)			SUBMISSION STATE (FOR CLIENT / CONSULTANT)			SUBMISSION STATE (FOR ARCHITECT)			FABRICATION / CONSTRUCTION STATE					
			ISSUE	1	2	3	4	5	6	7	AP - APPROVED			AP - APPROVED			AP - APPROVED			ISSUE TO CHINA OFFICE	ISSUE TO SITE	ISSUE TO SUB-CONTRACTOR		
			DAY	04							AC - APPROVED SUB. TO CONDITION			AC - APPROVED SUB. TO CONDITION			AC - APPROVED SUB. TO CONDITION							
			MONTH	03							NA - NOT APPROVED			NA - NOT APPROVED			NA - NOT APPROVED							
YEAR	22																							
			REVISIONS							COMMENT DATE	REV.	STATE	COMMENT DATE	REV.	STATE	COMMENT DATE	REV.	STATE	REV.	DATE	REV.	DATE	REV.	DATE
01	WINDOW SCHEDULE FOR PRECAST FACADE AT TOWER 9	J859-SD-PW-9103	-	A																				
02	WINDOW SCHEDULE FOR PRECAST FACADE AT TOWER 9	J859-SD-PW-9104	-	A																				
03	WINDOW SCHEDULE FOR PRECAST FACADE AT TOWER 9	J859-SD-PW-9105	-	A																				
04	TYPICAL DETAILS FOR ALUM. WINDOW	J859-SD-PW-DT61	-	A																				
05	TYPICAL DETAILS FOR ALUM. WINDOW	J859-SD-PW-DT62	-	A																				
06	TYPICAL DETAILS FOR ALUM. WINDOW	J859-SD-PW-DT63	-	A																				
07	TYPICAL DETAILS FOR ALUM. WINDOW	J859-SD-PW-DT63a	-	A																				
08	TYPICAL DETAILS FOR ALUM. WINDOW	J859-SD-PW-DT63b	-	A																				
09	TYPICAL DETAILS FOR ALUM. WINDOW	J859-SD-PW-DT64	-	A																				
10	TYPICAL DETAILS FOR ALUM. WINDOW	J859-SD-PW-DT65	-	A																				
11	TYPICAL DETAILS FOR ALUM. WINDOW	J859-SD-PW-DT66	-	A																				
12	TYPICAL DETAILS FOR ALUM. WINDOW	J859-SD-PW-DT67	-	A																				
13	TYPICAL DETAILS FOR ALUM. WINDOW	J859-SD-PW-DT68	-	A																				
14	TYPICAL DETAILS FOR ALUM. WINDOW	J859-SD-PW-DT68a	-	A																				
15	TYPICAL DETAILS FOR ALUM. WINDOW	J859-SD-PW-DT68b	-	A																				
16	TYPICAL DETAILS FOR ALUM. WINDOW	J859-SD-PW-DT69	-	A																				
17	TYPICAL DETAILS FOR ALUM. WINDOW	J859-SD-PW-DT69a	-	A																				
18	TYPICAL DETAILS FOR ALUM. WINDOW	J859-SD-PW-DT69b	-	A																				
19	TYPICAL DETAILS FOR ALUM. WINDOW	J859-SD-PW-DT70	-	A																				
20	TYPICAL DETAILS FOR ALUM. WINDOW	J859-SD-PW-DT70a	-	A																				
21	TYPICAL DETAILS FOR ALUM. WINDOW	J859-SD-PW-DT70b	-	A																				
22	TYPICAL DETAILS FOR ALUM. WINDOW	J859-SD-PW-DT70c	-	A																				
23	TYPICAL DETAILS FOR ALUM. WINDOW	J859-SD-PW-DT70d	-	A																				
24	TYPICAL DETAILS FOR ALUM. WINDOW	J859-SD-PW-DT70e	-																					
25	TYPICAL DETAILS FOR ALUM. WINDOW	J859-SD-PW-DT71	-	A																				
26	TYPICAL DETAILS FOR ALUM. WINDOW	J859-SD-PW-DT72	-	A																				
27	TYPICAL DETAILS FOR ALUM. WINDOW	J859-SD-PW-DT72a	-	A																				
28	TYPICAL DETAILS FOR ALUM. WINDOW	J859-SD-PW-DT72b	-																					
29	TYPICAL DETAILS FOR ALUM. WINDOW	J859-SD-PW-DT73	-	A																				
30	TYPICAL DETAILS FOR ALUM. WINDOW	J859-SD-PW-DT74	-	A																				
31	TYPICAL DETAILS FOR ALUM. WINDOW	J859-SD-PW-DT75	-	A																				
32	TYPICAL DETAILS FOR ALUM. WINDOW	J859-SD-PW-DT76	-	A																				
33	TYPICAL DETAILS FOR ALUM. WINDOW	J859-SD-PW-DT77	-																					
34	TYPICAL DETAILS FOR ALUM. WINDOW	J859-SD-PW-DT78	-	A																				
35	TYPICAL DETAILS FOR ALUM. WINDOW	J859-SD-PW-DT79	-	A																				
36	TYPICAL DETAILS FOR ALUM. WINDOW	J859-SD-PW-DT80	-	A																				
37	TYPICAL DETAILS FOR ALUM. WINDOW	J859-SD-PW-DT80a	-																					
38	TYPICAL DETAILS FOR ALUM. WINDOW	J859-SD-PW-DT81	-	A																				
39	TYPICAL DETAILS FOR ALUM. WINDOW	J859-SD-PW-DT82	-	A																				
40	TYPICAL EARTHING BONDING DETAILS OF PRECAST	J859-SD-PW-DT83	-																					
41	TYPICAL DETAILS FOR ALUM. WINDOW	J859-SD-PW-DT83a	-	A																				
42	TYPICAL DETAILS FOR ALUM. WINDOW	J859-SD-PW-DT84	-	A																				
43	G.M.S FIXING LUG TYPICAL DETAIL FOR ALUM. WINDOW	J859-SD-PW-DT84a	-																					
44	TYPICAL DETAILS FOR ALUM. WINDOW	J859-SD-PW-DT85	-	A																				
45	TYPICAL ASSEMBLY DETAILS FOR ALUM. WINDOW	J859-SD-PW-DT85a	-																					
46	TYPICAL ASSEMBLY DETAILS FOR ALUM. WINDOW	J859-SD-PW-DT86	-																					
47	TYPICAL DETAILS FOR ALUM. WINDOW	J859-SD-PW-DT87	-	A																				
48	TYPICAL DETAILS FOR ALUM. WINDOW	J859-SD-PW-DT88	-																					

B.D. REF :

ARCHITECT :



WONG TUNG & PARTNERS LIMITED
ARCHITECTS & PLANNERS


STRUCTURAL ENGINEER :



SUN HUNG KAI
ARCHITECTS AND ENGINEERS LTD.

SUN HUNG KAI CENTRE, WANCHAI, HONGKONG
TEL: 28278111 FAX: 28272884

FACADE CONSULTANT:



ALPHA CONSULTING LIMITED
Steel Structure & Facade Specialist

MAIN CONTRACTOR :

Sanfield Engineering Construction Ltd.

CLIENT :



SUN HUNG KAI
REAL ESTATE AGENCY LTD.
42/F SUN HUNG KAI CENTRE, WANCHAI, HONGKONG

- NOTE :
- ALL DIMENSIONS ARE IN mm.
 - ALL ELEVATIONS ARE VIEWED FROM OUTSIDE.
 - ALL DIMENSIONS TO BE VERIFIED ON SITE BEFORE FABRICATION.

- LEGEND :
- (X1) --- DETAIL MARK NO.
 - (0001) --- REFER SHEET NO.
 - 1. F.F.L. --- FINISHED FLOOR LEVEL
 - 2. S.F.L. --- STRUCTURAL FLOOR LEVEL
 - 3. (/A) --- REVERSED DETAIL

A	28-03-2022	REVISION SUBJECT TO ARCH. COMMENT	IVAN
NO.	DATE	REVISED	BY

JOB NO. : J-859

PROJECT : PROPOSED RESIDENTIAL / COMMERCIAL DEVELOPMENT AT NKIL NO.6551 KAI TAK AREA 4C, SITE 3 KAI TAK, KOWLOON

TITLE : DRAWING LIST OF PRE-CAST ALUM. WINDOW (TOWER 7, TOWER 8, TOWER 9 / 9A)

DATE : 15-Nov-21 SCALE : 1:2 (A3)

DRAWN BY : IVAN CHECKED BY :



MIDI ALUMINIUM FABRICATOR LTD.
Units 6-8, Sunray Industrial Centre, 1/F
610 Cha Kwo Ling Road, Kowloon
Tel: 23489211-4 Fax: (852) 2727666

DWG NO. : J859-SD-PW-0002 REV. : A

GENERAL NOTES FOR PRECAST ALUM. WINDOW

CODES AND STANDARDS

1. CODE OF PRACTICE ON WIND EFFECTS IN HONG KONG 2004.
2. CODE OF PRACTICE FOR DEAD AND IMPOSED LOADS 2011.
3. CODE OF PRACTICE FOR STRUCTURAL USE OF CONCRETE 2013.
4. CODE OF PRACTICE FOR THE STRUCTURAL USE OF STEEL 2011.
5. CODE OF PRACTICE FOR STRUCTURAL USE OF GLASS 2018.
6. STRUCTURAL USE OF ALUMINIUM, BS 8118-1:1991. (WIND LOAD FACTOR OF 1.4 FOR ALUMINIUM DESIGN TO PNP APP53)
7. BUILDING (CONSTRUCTION) REGULATIONS CAP 123.
8. APP37 CURTAIN WALL, WINDOW AND WINDOW WALL SYSTEM.
9. APP110 PROTECTIVE BARRIERS.
10. APP116 ALUMINIUM WINDOW.

DESIGN WIND LOAD

CODE OF PRACTICE ON WIND EFFECTS IN HONG KONG 2004.

	VERTICAL SURFACE
HEIGHT ABOVE GROUND LEVEL	<100m
BASIC WIND PRESSURE	2.86kPa
TOPOGRAPHY FACTOR (So)	1.00
PRESSURE COEFFICIENT (Cp)	+1.0/-1.4
DESIGN WIND PRESSURE	+2.86/-4.00kPa

IMPOSED LOAD ON PROTECTIVE BARRIERS (FOR DOMESTIC USE)

LINE LOADS TO BE APPLIED	UNIFORMLY APPLIED AT A HEIGHT OF 1.1m ABOVE THE FLOOR LEVEL	CONCENTRATED LOAD DISTRIBUTED LOAD TO BE APPLIED ON THE INFILL BETWEEN FLOOR AND TOP RAIL	TO BE APPLIED ON ANY PART OF THE INFILL BETWEEN FLOOR AND TOP RAIL
AREAS WHERE CONGREGATION OF PEOPLE IS NOT EXPECTED	0.75 (kN/m)	1.0 (kPa)	0.5 (kN)

STEEL

ALL STRUCTURAL STEEL SECTIONS SHALL BE OF GRADE S275 JO CLASS 1 WELDABLE STRUCTURAL STEEL AND COMPLYING WITH BS EN 10210-1 FOR HOLLOW SECTIONS AND BS EN 10025 FOR OTHER SECTIONS.

ALL STRUCTURAL STEEL TO BE HOT-DIP GALVANIZED TO BS EN ISO 1461 WITH MIN 85 μm COATING THICKNESS.

ALL CUT/WELDED AREAS IN GALVANIZED STEEL TO BE MAKE GOOD BY AT LEAST TWO COATS OF ZINC RICH PRIMER TO BS 4652.

DENSITY	77kN/m ³
YOUNG'S MODULUS	205,000MPa
YIELD STRENGTH	275MPa
MINIMUM TENSILE STRENGTH	430MPa
DESIGN STRENGTH (≤16mm)	275MPa
DESIGN STRENGTH (≤40mm)	265MPa

ALUMINIUM EXTRUSION

ALL ALUMINIUM EXTRUSIONS TO BE GRADE 6063-T6/6061-T6 TO BS EN 755-2 AND BS EN 573-3.

	6063-T6	6061-T6	6063-T5
DENSITY	27.2kN/m ³		
YOUNG'S MODULUS	70,000MPa		
0.2% PROOF STRESS	170MPa	240MPa	110MPa
MINIMUM TENSILE STRENGTH	215MPa	280MPa	150MPa
LIMITING BENDING STRENGTH	160MPa	240MPa	110MPa
LIMITING TENSILE STRENGTH	175MPa	260MPa	130MPa
LIMITING SHEAR STRENGTH	95MPa	145MPa	65MPa

ALL EXTRUSIONS TO BE GRADE 6063-T6 UNLESS OTHERWISE STATED.

FASTENERS

ALL STAINLESS STEEL SCREW AND BOLT TO BE GRADE A4-70 TO BS EN ISO 3506.

0.2% PROOF STRESS	450MPa
MINIMUM TENSILE STRENGTH	700MPa
DESIGN TENSILE STRENGTH	450MPa
DESIGN SHEAR STRENGTH	311MPa
DESIGN BEARING STRENGTH	828MPa

PROTECTION OF BI-METALLIC CORROSION (BITAMEN PAINT ECT.)

ALL EXPOSED SURFACE OF ALUM. EXTRUSION TO BE FINISHED WITH PVF2 COATING ≥ 40 MICRONS
ALL SCREWS SHOULD BE M5 S.S. SCREW SPACING @300c/c MAX. UNLESS OTHERWISE STATED.

GLASS

ALL GLASS PANELS SHALL BE COMPLIED WITH BS 952 AND DESIGN TO CODE OF PRACTICE FOR STRUCTURAL USE OF GLASS 2018.

IMPACT TEST TO BE COMPLIED WITH BS EN 12600(CLASS 1)

DENSITY	26kN/m ³
YOUNG'S MODULUS	70,000MPa

ULTIMATE DESIGN STRENGTH OF GLASS

	LOAD DURATION
HEAT STRENGTHENED GLASS	SHORT
TEMPERED GLASS	40MPa
	80MPa

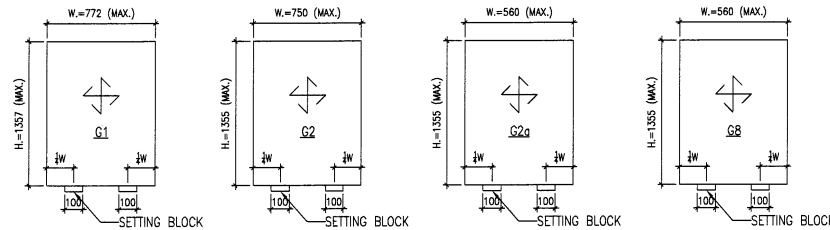
ALL TEMPERED GLASS TO BE HEAT-SOAK TESTED TO CODE OF PRACTICE FOR STRUCTURAL USE OF GLASS 2018 AND EN 14179-1:2016.

G1-8mmHS+12mm AIR GAP+10mmTP THK. I.G.U.

G2-8mmHS+12mm AIR GAP+8mmTP THK. I.G.U.

G2a-8mmHS+12mm AIR GAP+8mmTP+1.52PVB +6mm FEATURED GLASS (I.G.U.)

G8-6mm GREY HS+1.52PVB+6mm CLEAR HS

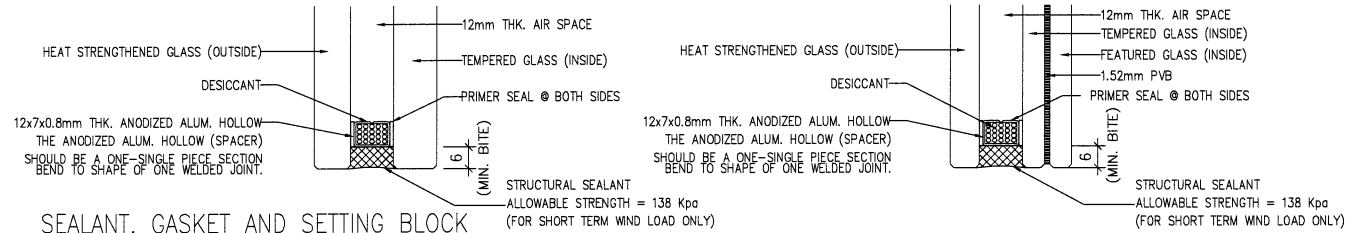


TYPICAL GLASS DETAIL

FOR DOUBLE GLAZING GLASS UNIT (I.G.U.)

QUALITY ASSURANCE DOCUMENT SUCH AS TEST REPORT / CERTIFICATES INDICATING COMPLIES WITH ASTM E2190 OR EQUIVALENT WITH RESPECT TO THE SEAL PERFORMANCE.

FOR INSTALLING GLASS UNIT SHALL BE SUBMITTED TO BD TO COMMENCE OF WORKS.



SEALANT, GASKET AND SETTING BLOCK

ALL STRUCTURAL SEALANT TO BE 'DOWSIL 983' (BD-SS001), ALLOWABLE STRESS = 138kPa.

ALL WEATHER SEALANT TO BE 'DOWSIL 791'.

ALL SETTING BLOCK SHALL BE SILICONE RUBBER WITH HARDNESS OF 85±5 SHORE A, MINIMUM 100mm IN LENGTH AT 1/4 SPAN UNLESS OTHERWISE STATED

ALL GASKET SHALL BE NEOPRENE OR SILICONE RUBBER WHEN IN CONTACT WITH SEALANT, WITH HARDNESS OF 65±5 SHORE A.

ISOLATOR

PVC TAPE TO BE APPLIED BETWEEN DISSIMILAR METAL TO PREVENT BIMETALLIC CORROSION TO PD6484.

CONCRETE

ALL CONCRETE STRUCTURES SHOWN IN THIS SUBMISSION ARE FOR INFORMATION ONLY.

CONCRETE ELEMENTS TO BE MINIMUM GRADE 45MPa.

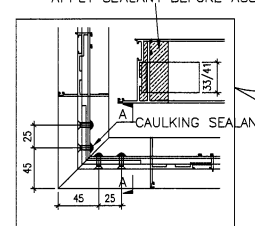
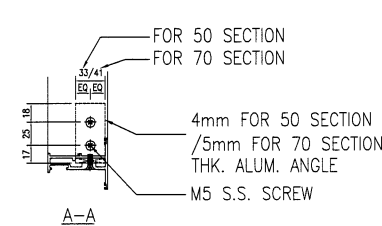
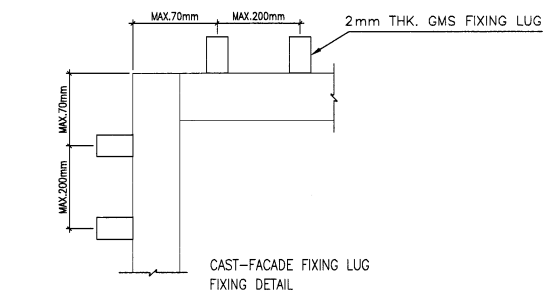
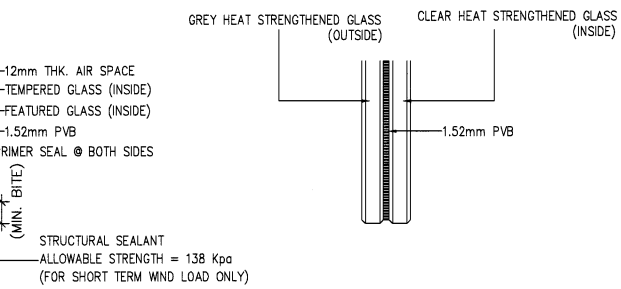
70 ALUM. S. H. WINDOW

W(W.O)	H(W.O)	W1(mm)	H1(mm)	GLAZING	WEIGHT(kg)	BAR HINGE	Window NO.
700	1270	667	1237	G2	34.18	HHMS-N16	W5/P11
700	1370	667	1337	G2	36.92	HHMS-N16	
700	1470	667	1437	G2	39.66	HHMS-N16	
680	1470	642	1437	G2a	48.76	HHMS-N16	W12/P11
815	1300	782	1262	G2	40.82	HHMS-N20	W8a/P11
680	1270	642	1237	G2	32.91	HHMS-N16	W3/P12
680	1370	642	1337	G2	35.55	HHMS-N16	
680	1470	642	1437	G2	35.19	HHMS-N16	
700	1270	667	1237	G2	34.18	HHMS-N16	W4/P12
700	1370	667	1337	G2	36.92	HHMS-N16	
700	1470	667	1437	G2	39.66	HHMS-N16	
700	1270	667	1237	G2	34.18	HHMS-N16	W13/P12

50 ALUM. S. H. WINDOW

W(W.O)	H(W.O)	W1(mm)	H1(mm)	GLAZING	WEIGHT(kg)	BAR HINGE	Window NO.
680	1270	642	1237	G8	27.20	HHMS-N16	W1/P11
680	1370	642	1337	G8	29.40	HHMS-N16	
680	1470	642	1437	G8	31.60	HHMS-N16	

W=MODULE DIMENSION
H=MODULE DIMENSION
W1=WINDOW SASH
H1=WINDOW SASH



B.D. REF :

ARCHITECT :



STRUCTURAL ENGINEER :



SUN HUNG KAI CENTRE, WANCHAI, HONGKONG
TEL: 28278111 FAX: 28272884

FAÇADE CONSULTANT:



MAIN CONTRACTOR :



CLIENT :



42/F SUN HUNG KAI CENTRE, WANCHAI, HONGKONG

NOTE :

1. ALL DIMENSIONS ARE IN mm.
2. ALL ELEVATIONS ARE VIEWED FROM OUTSIDE.
3. ALL DIMENSIONS TO BE VERIFIED ON SITE BEFORE FABRICATION.

LEGEND :

- x1 --- DETAIL MARK NO.
- x001 --- REFER SHEET NO.

1. F.F.L. --- FINISHED FLOOR LEVEL
2. S.F.L. --- STRUCTURAL FLOOR LEVEL
3. (R) --- REVERSED DETAIL

A	07/03/2022	REVISION SUBJECT TO ARCH.COMMENT	IWAN
NO.	DATE	REVISED	BY

JOB NO. : J-859

PROJECT : PROPOSED RESIDENTIAL / COMMERCIAL DEVELOPMENT AT NKIL NO.6551 KAI TAK AREA 4C, SITE 3 KAI TAK, KOWLOON

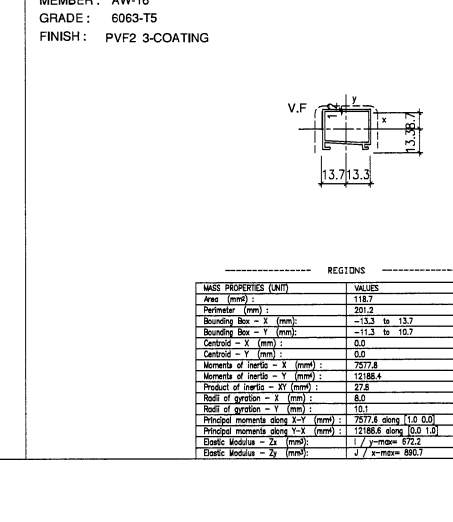
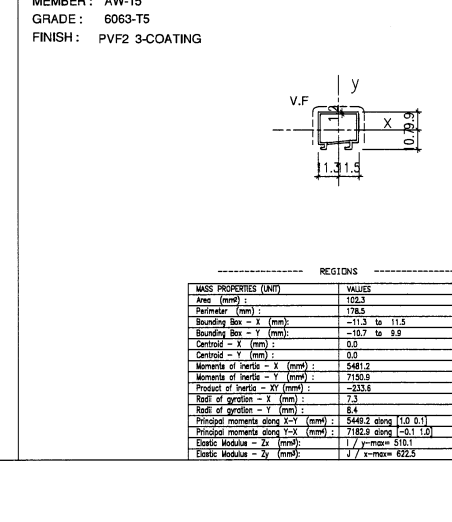
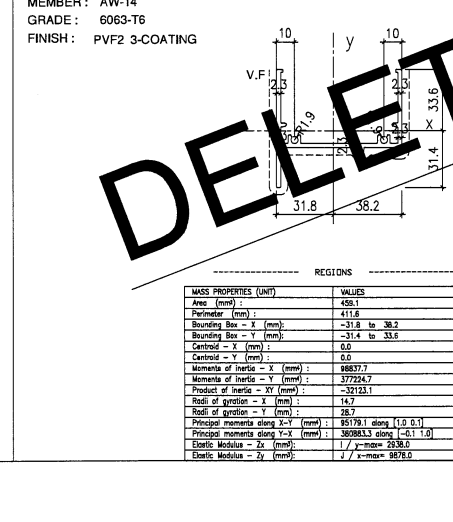
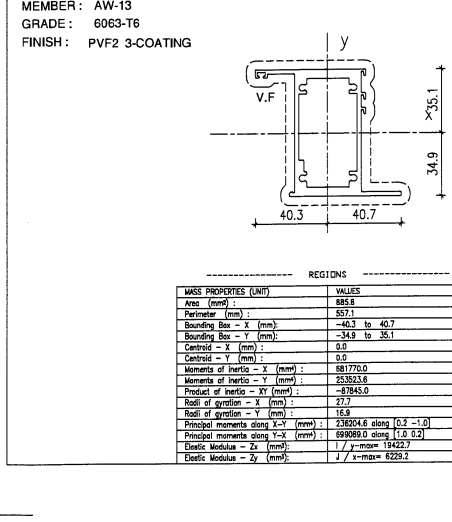
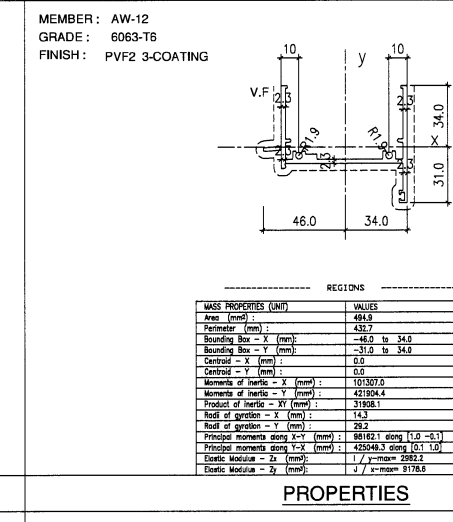
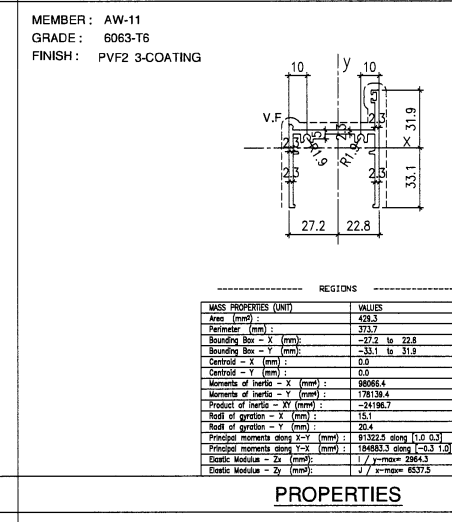
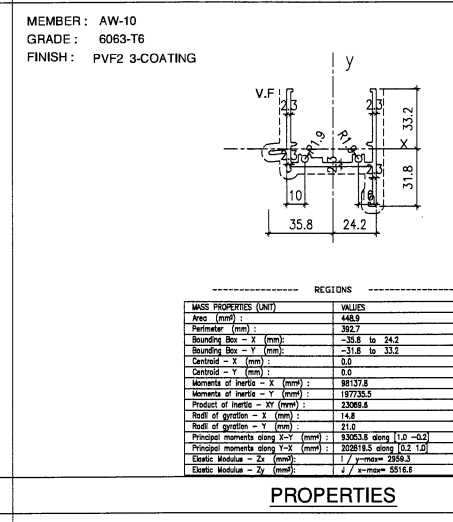
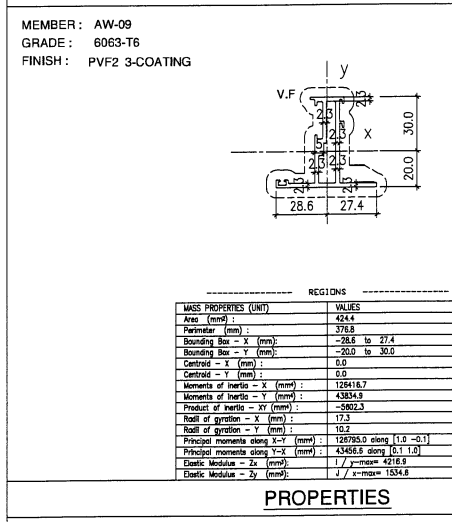
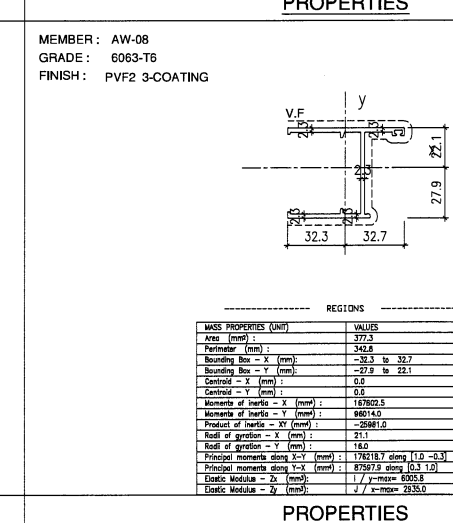
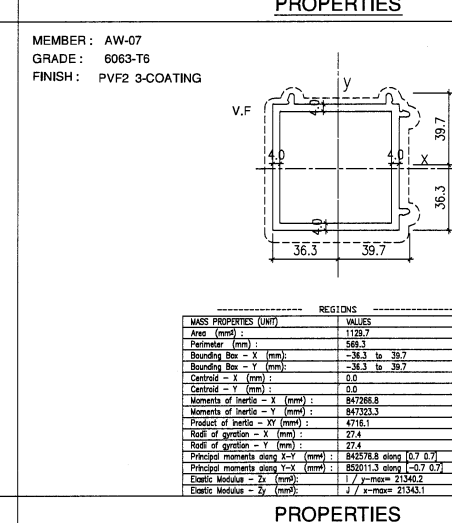
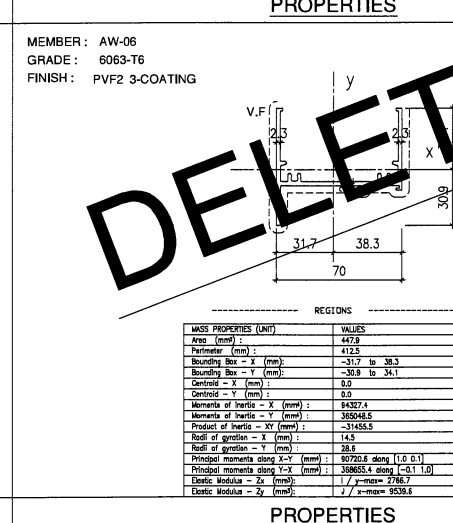
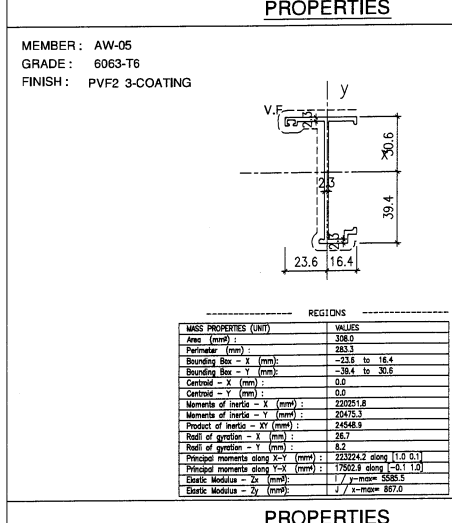
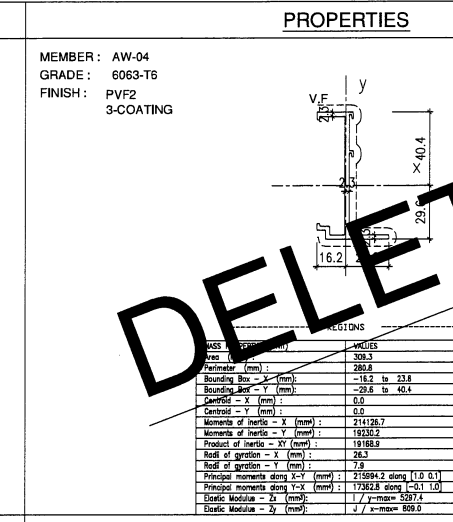
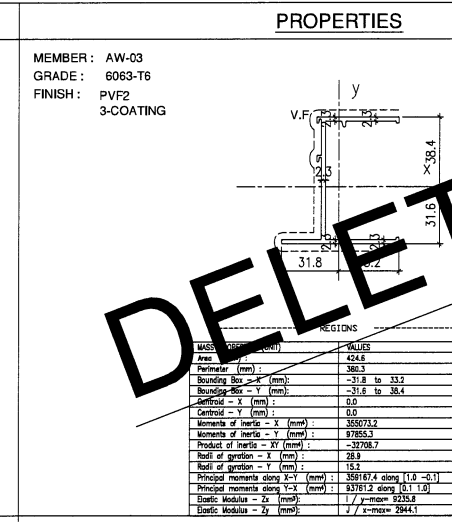
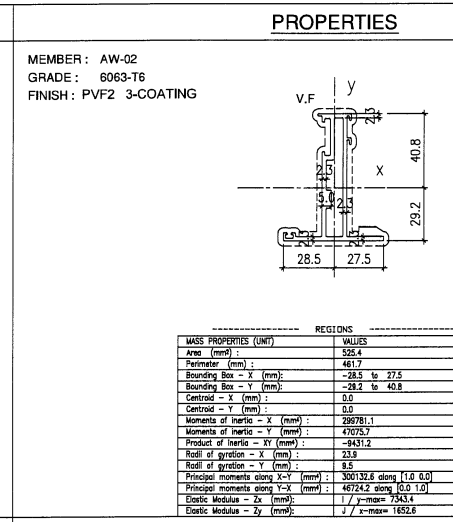
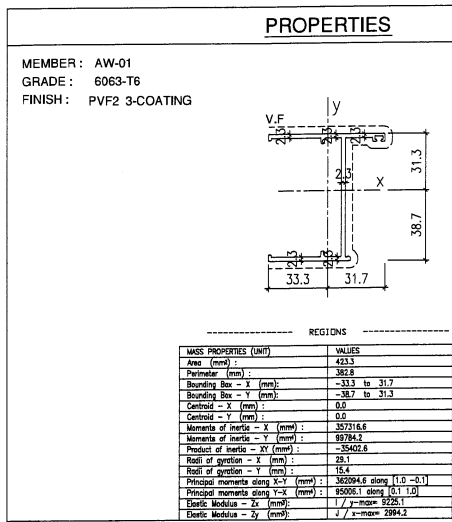
TITLE : GENERAL NOTES FOR ALUM. WINDOW AT TOWER 9A

DATE : 13-Nov-21 SCALE : 1:50 (A3)

DRAWN BY : IWAN CHECKED BY :



DWG NO. : J859-SD-GN-0005 REV. : A



B.D. REF :
ARCHITECT :
WONG TUNG & PARTNERS LIMITED
ARCHITECTS & PLANNERS

STRUCTURAL ENGINEER :
SUN HUNG KAI
ARCHITECTS AND ENGINEERS LTD.
SUN HUNG KAI CENTRE, WANCHAI, HONGKONG
TEL: 28278111 FAX: 28272884

FAÇADE CONSULTANT:
ALPHA CONSULTING LIMITED
Steel Structure & Façade Specialist

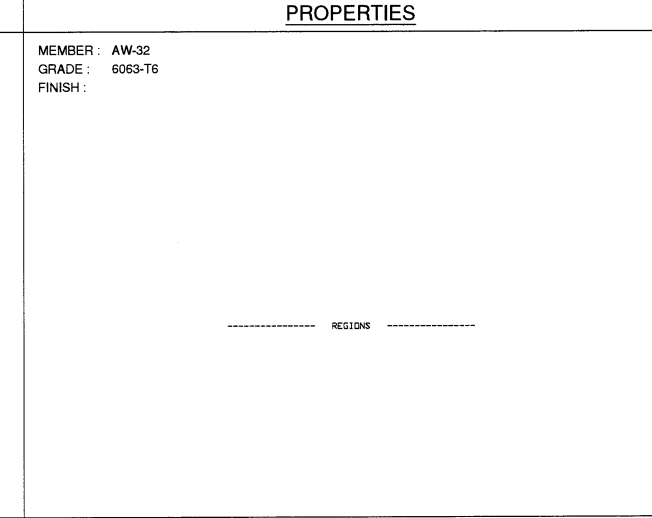
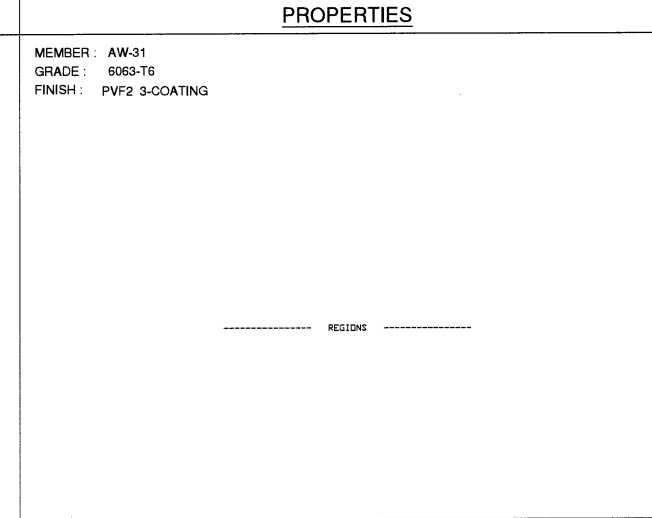
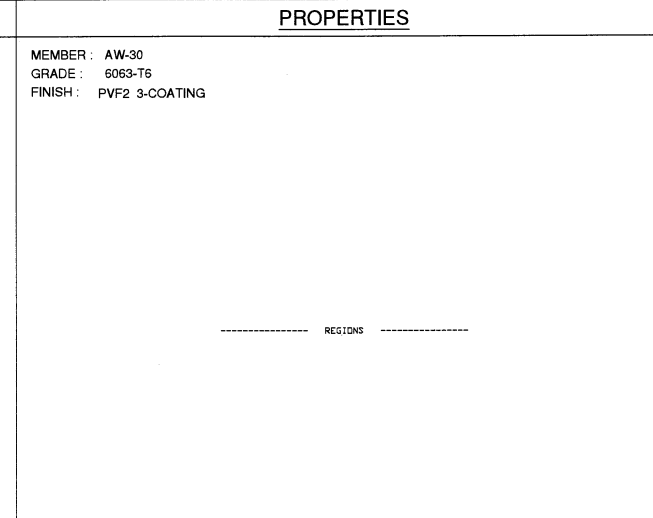
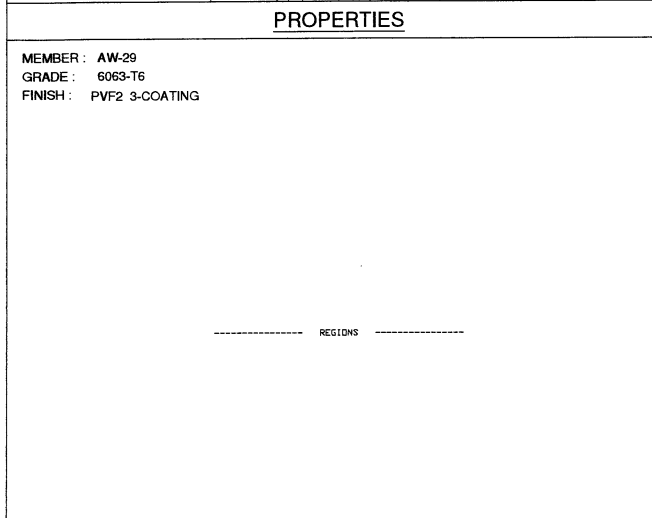
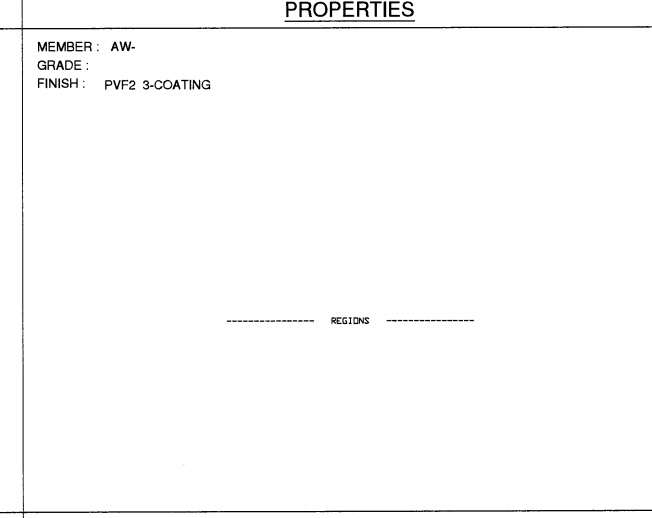
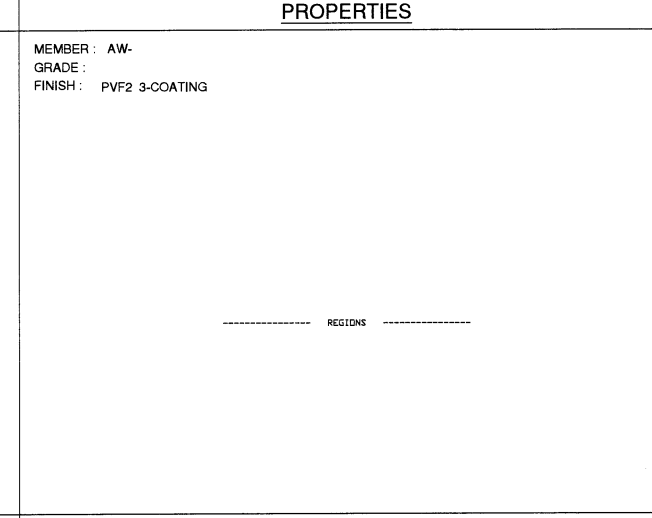
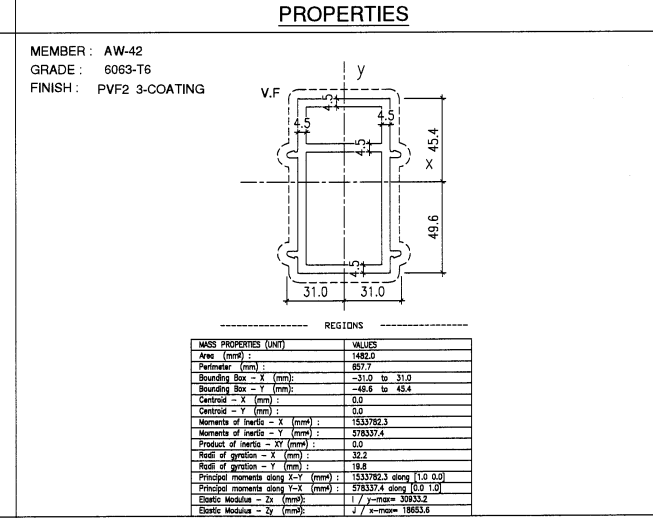
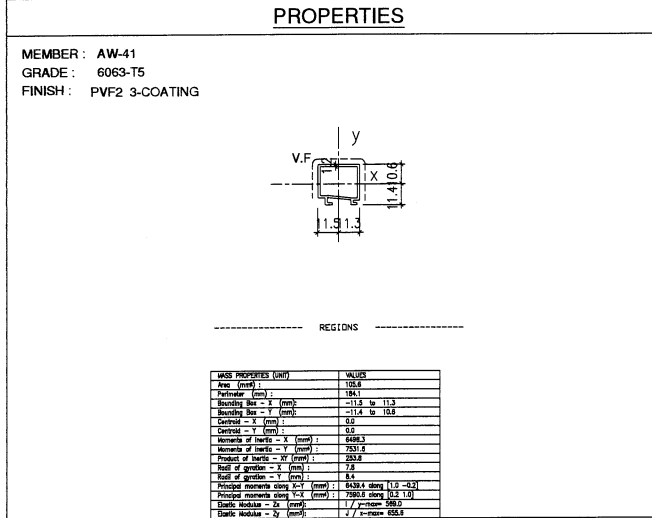
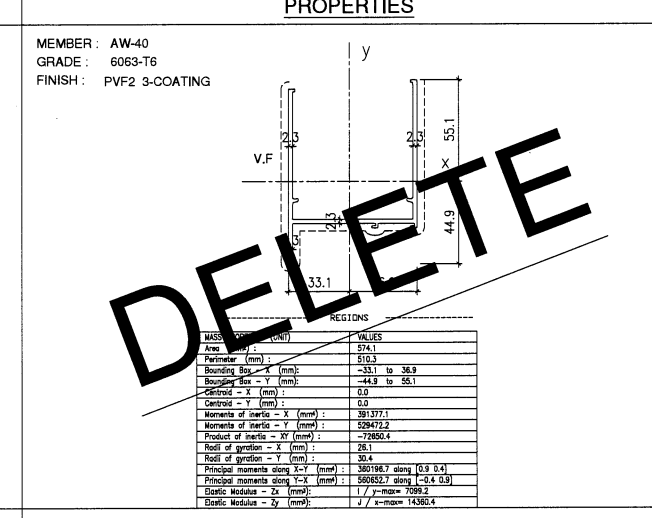
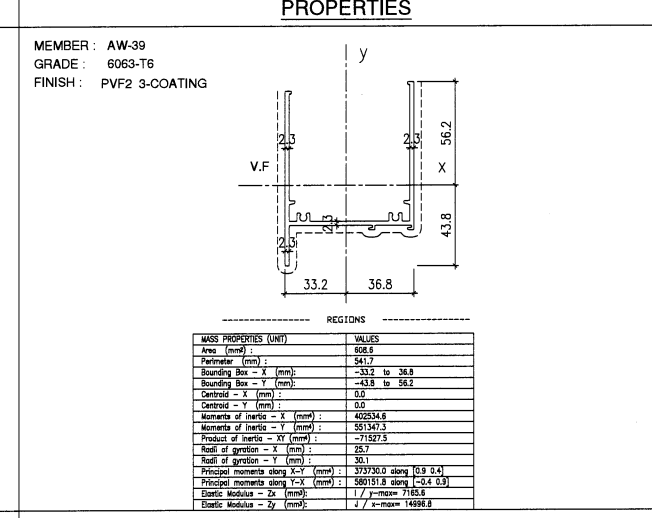
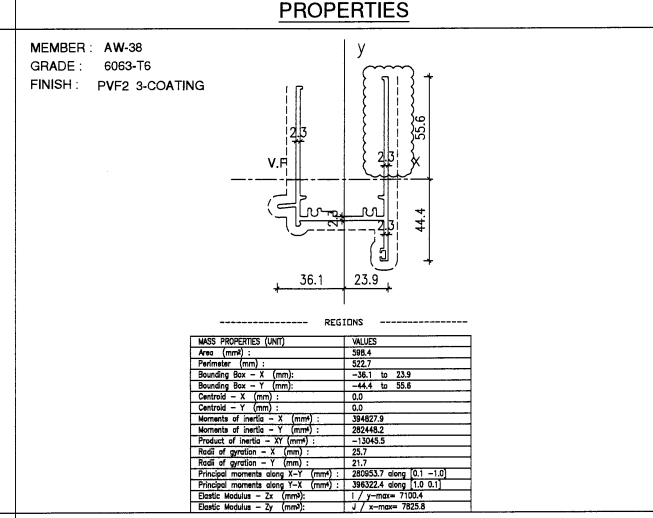
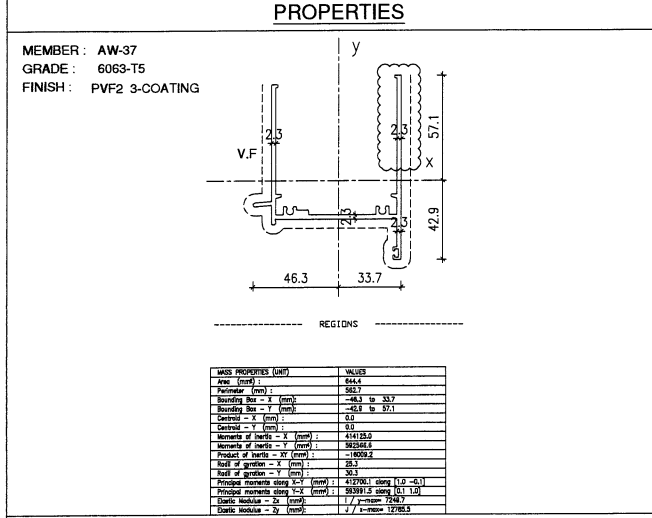
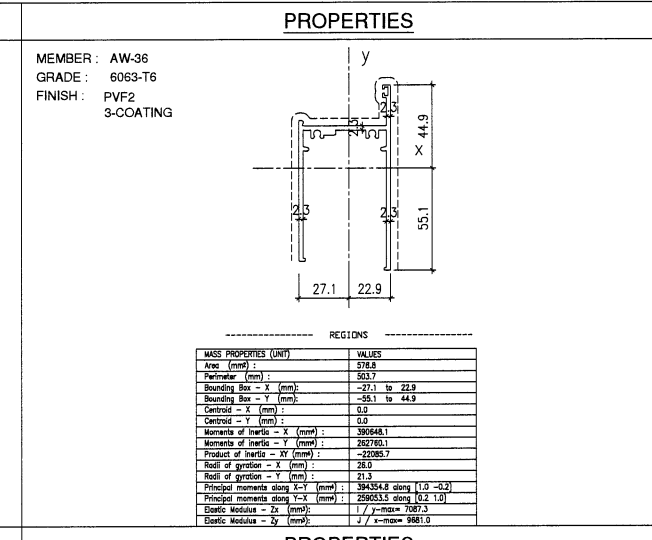
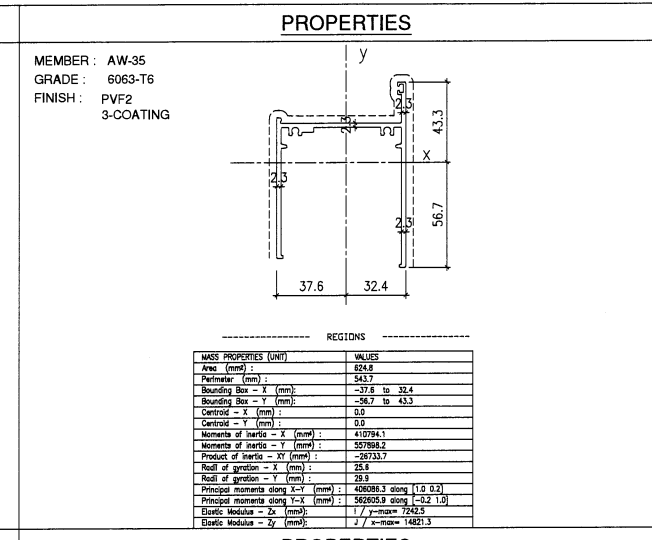
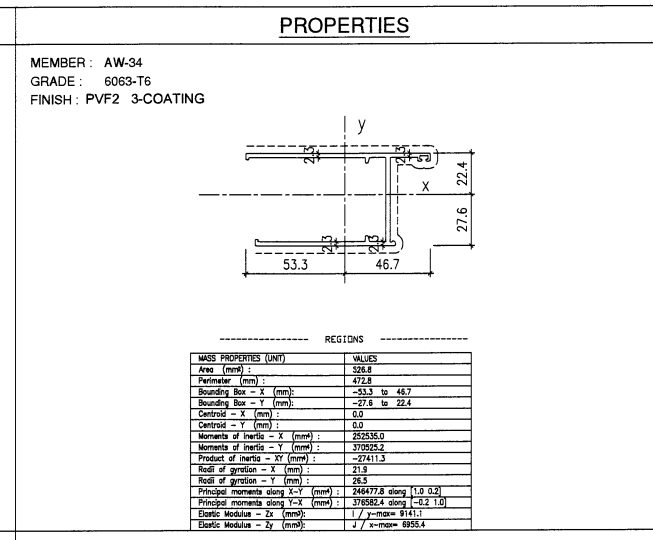
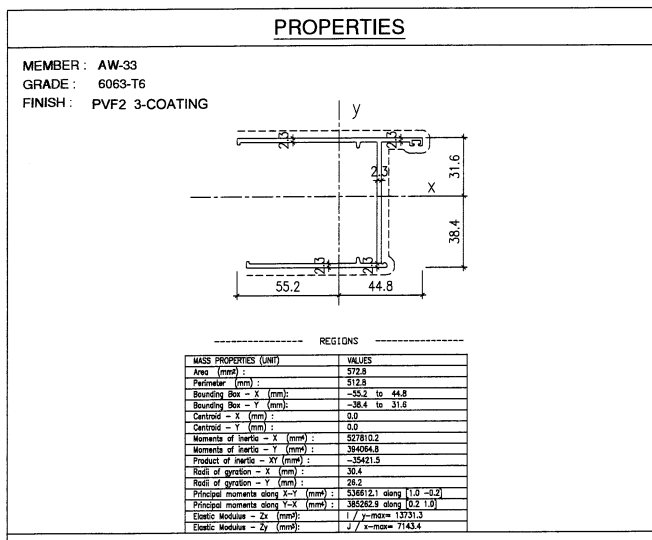
MAIN CONTRACTOR :
Sanfield Engineering Construction Ltd.

CLIENT :
SUN HUNG KAI
REAL ESTATE AGENCY LTD.
42/F SUN HUNG KAI CENTRE, WANCHAI, HONGKONG

NOTE :
1. ALL DIMENSIONS ARE IN MM.
2. ALL ELEVATIONS ARE VIEWED FROM OUTSIDE.
3. ALL DIMENSIONS TO BE VERIFIED ON SITE BEFORE FABRICATION.

LEGEND :
X1 --- DETAIL MARK NO.
X001 --- REFER SHEET NO.
1. F.F.L. --- FINISHED FLOOR LEVEL
2. S.F.L. --- STRUCTURAL FLOOR LEVEL
3. (R) --- REVERSED DETAIL

NO.	DATE	REVISED	BY
JOB NO. : J-859			
PROJECT : PROPOSED RESIDENTIAL / COMMERCIAL DEVELOPMENT AT NKIL NO.6551 KAI TAK AREA 4C, SITE 3 KAI TAK, KOWLOON			
TITLE : DIE LIST FOR ALUM. WINDOW (TOWER 1 - TOWER 9)			
DATE : 10-Nov-21		SCALE : 1:4 (A3)	
DRAWN BY : IVAN		CHECKED BY :	
美特鋁質有限公司 MIDI ALUMINIUM FABRICATOR LTD. Units 6-8, Sunray Industrial Centre, 1/F 610 Cho Kwo Ling Road, Kowloon Tel:23489211-4 Fax:(852)2772666			
DWG NO. : J859-SD-PW-0011		REV. : -	



B.D. REF :

ARCHITECT :
WT WONG TUNG & PARTNERS LIMITED
ARCHITECTS & PLANNERS

STRUCTURAL ENGINEER :
SUN HUNG KAI
ARCHITECTS AND ENGINEERS LTD.
SUN HUNG KAI CENTRE, WANCHAI, HONGKONG
TEL: 28278111 FAX: 28272884

FAÇADE CONSULTANT:
ALPHA CONSULTING LIMITED
Steel Structure & Façade Specialist

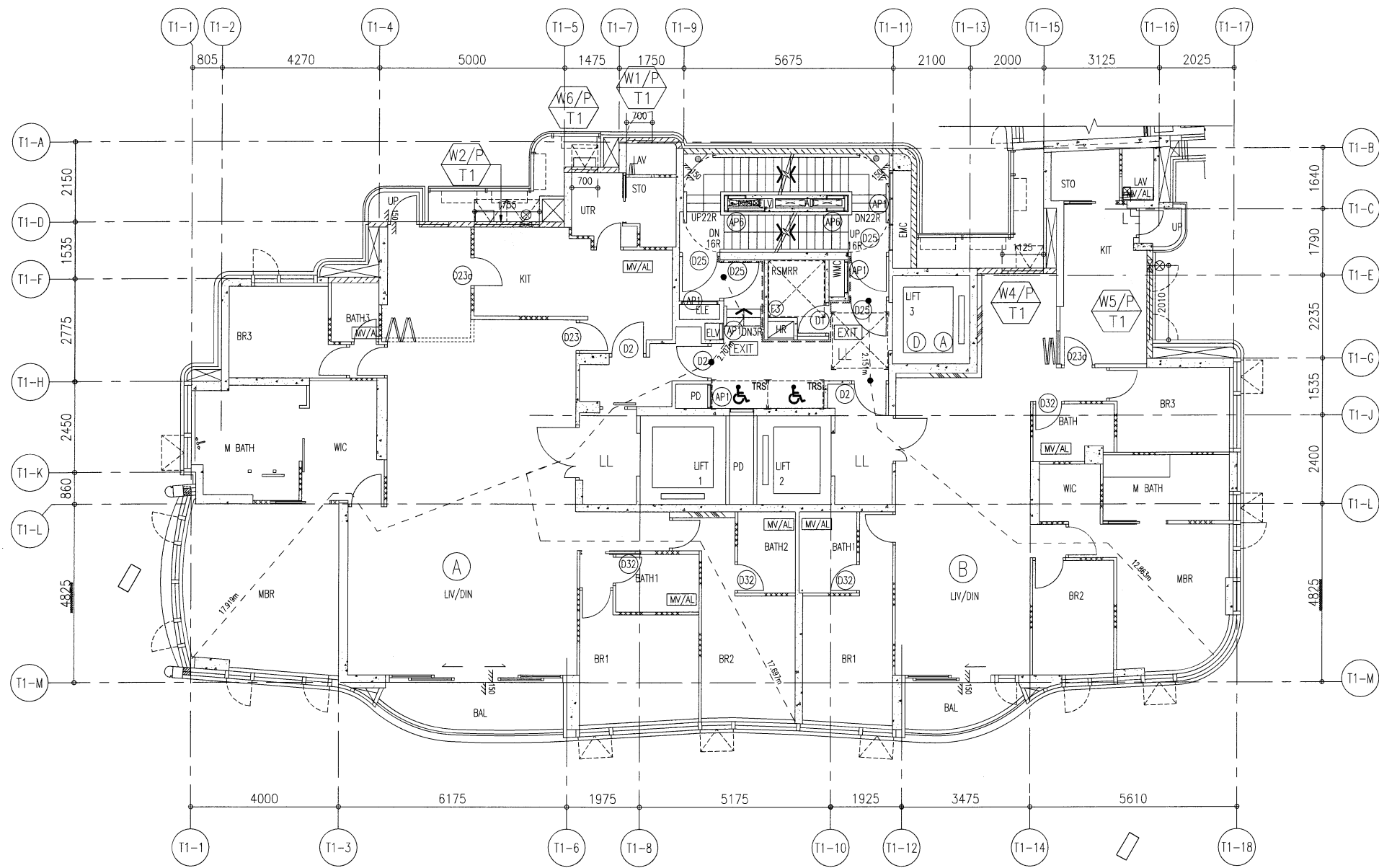
MAIN CONTRACTOR :
Sanfield Engineering Construction Ltd.

CLIENT :
SUN HUNG KAI
REAL ESTATE AGENCY LTD.
42/F SUN HUNG KAI CENTRE, WANCHAI, HONGKONG

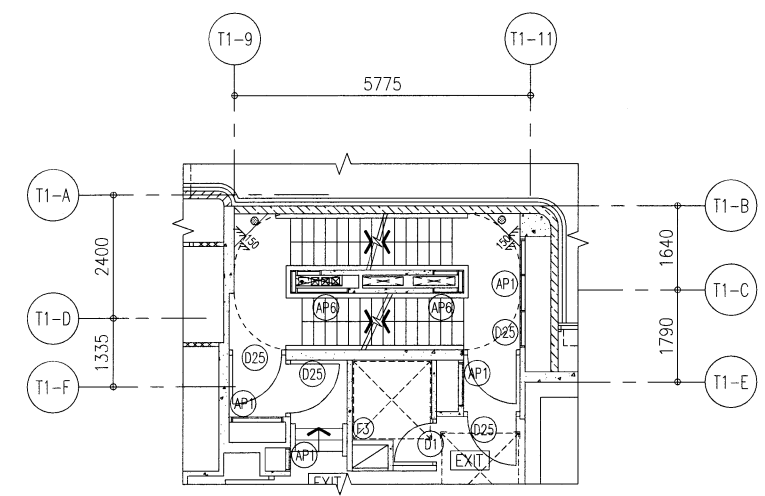
NOTE :
1. ALL DIMENSIONS ARE IN MM.
2. ALL ELEVATIONS ARE VIEWED FROM OUTSIDE.
3. ALL DIMENSIONS TO BE VERIFIED ON SITE BEFORE FABRICATION.

LEGEND :
X1 --- DETAIL MARK NO.
X001 --- REFER SHEET NO.
1. F.F.L. --- FINISHED FLOOR LEVEL
2. S.F.L. --- STRUCTURAL FLOOR LEVEL
3. (R) --- REVERSED DETAIL

NO.	DATE	REVISED	BY
JOB NO. :	J-859		
PROJECT :	PROPOSED RESIDENTIAL / COMMERCIAL DEVELOPMENT AT NKIL NO.6551 KAI TAK AREA 4C, SITE 3 KAI TAK, KOWLOON		
TITLE :	DIE LIST FOR ALUM. WINDOW (TOWER 1 - TOWER 9)		
DATE :	10-Nov-21	SCALE :	1:4 (A3)
DRAWN BY :	IVAN	CHECKED BY :	
美特鋁質有限公司 MIDI ALUMINIUM FABRICATOR LTD. Units 6-8, Sunray Industrial Centre, 1/F 610 Cha Kwo Ling Road, Kowloon Tel:23489211-4 Fax:(852)2727666			
DWG NO. :	J859-SD-PW-0013	REV. :	-



2/F TO 6/F WINDOW LOCATION PLAN FOR PRECAST FACADE
AT TOWER 1 (4 STOREYS, 4/F OMITTED)



2/F PART PLAN OF TOWER 1

B.D. REF :

ARCHITECT :
WT WONG TUNG & PARTNERS LIMITED
ARCHITECTS & PLANNERS

STRUCTURAL ENGINEER :
SUN HUNG KAI
ARCHITECTS AND ENGINEERS LTD.
SUN HUNG KAI CENTRE, WANCHAI, HONGKONG
TEL: 28278111 FAX: 28272864

FAÇADE CONSULTANT:
α ALPHA CONSULTING LIMITED
Steel Structure & Façade Specialist

MAIN CONTRACTOR :
Sanfield Engineering Construction Ltd.

CLIENT :
SUN HUNG KAI
REAL ESTATE AGENCY LTD.
42/F SUN HUNG KAI CENTRE, WANCHAI, HONGKONG

NOTE :
1. ALL DIMENSIONS ARE IN mm.
2. ALL ELEVATIONS ARE VIEWED FROM OUTSIDE.
3. ALL DIMENSIONS TO BE VERIFIED ON SITE BEFORE FABRICATION.

LEGEND :
X1 --- DETAIL MARK NO.
X001 --- REFER SHEET NO.
1. F.F.L. --- FINISHED FLOOR LEVEL
2. S.F.L. --- STRUCTURAL FLOOR LEVEL
3. (R) --- REVERSED DETAIL

NO.	DATE	REVISED	BY

JOB NO. : J-859
PROJECT : PROPOSED RESIDENTIAL / COMMERCIAL DEVELOPMENT AT NKIL NO.6551 KAI TAK AREA 4C, SITE 3 KAI TAK, KOWLOON

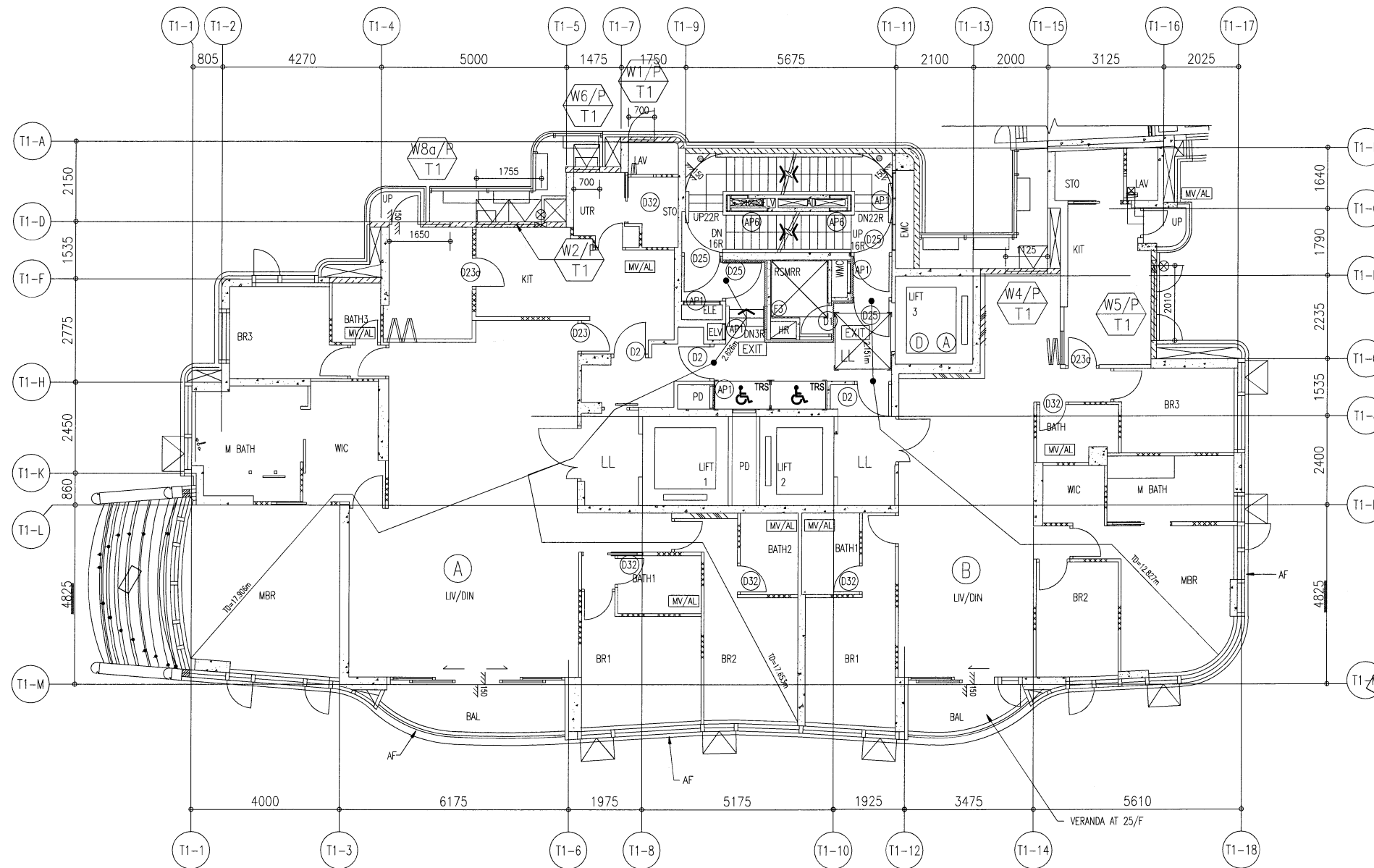
TITLE : 2~6/F WINDOW LOCATION PLAN FOR PRECAST FACADE AT TOWER 1

DATE : 21-Nov-21 SCALE : 1:70 (A3)

DRAWN BY : IVAN CHECKED BY :

美特鋁質有限公司
MIDI ALUMINIUM FABRICATOR LTD.
Units 6-8, Sunray Industrial Centre, 1/F
610 Cha Kwo Ling Road, Kowloon
Tel:23489211-4 Fax:(852)2727666

DWG NO. : J859-SD-PL-101 REV. : -



7/F TO 25/F WINDOW LOCATION PLAN FOR PRECAST FACADE
AT TOWER 1 (16 STOREYS, 13/F,14/F,24/F OMITTED)

B.D. REF :

ARCHITECT :



STRUCTURAL ENGINEER :



SUN HUNG KAI CENTRE, WANCHAI, HONGKONG
TEL: 28278111 FAX: 28272884

FACADE CONSULTANT :



MAIN CONTRACTOR :

Sanfield Engineering
Construction Ltd.

CLIENT :



NOTE :

1. ALL DIMENSIONS ARE IN mm.
2. ALL ELEVATIONS ARE VIEWED FROM OUTSIDE.
3. ALL DIMENSIONS TO BE VERIFIED ON SITE BEFORE FABRICATION.

LEGEND :

- X1 - DETAIL MARK NO.
- X001 - REFER SHEET NO.

1. F.F.L. -- FINISHED FLOOR LEVEL
2. S.F.L. -- STRUCTURAL FLOOR LEVEL
3. (R) -- REVERSED DETAIL

NO.	DATE	REVISED	BY
-----	------	---------	----

JOB NO. : J-859

PROJECT :
PROPOSED RESIDENTIAL / COMMERCIAL
DEVELOPMENT AT NKIL NO.6551 KAI
TAK AREA 4C, SITE 3
KAI TAK, KOWLOON

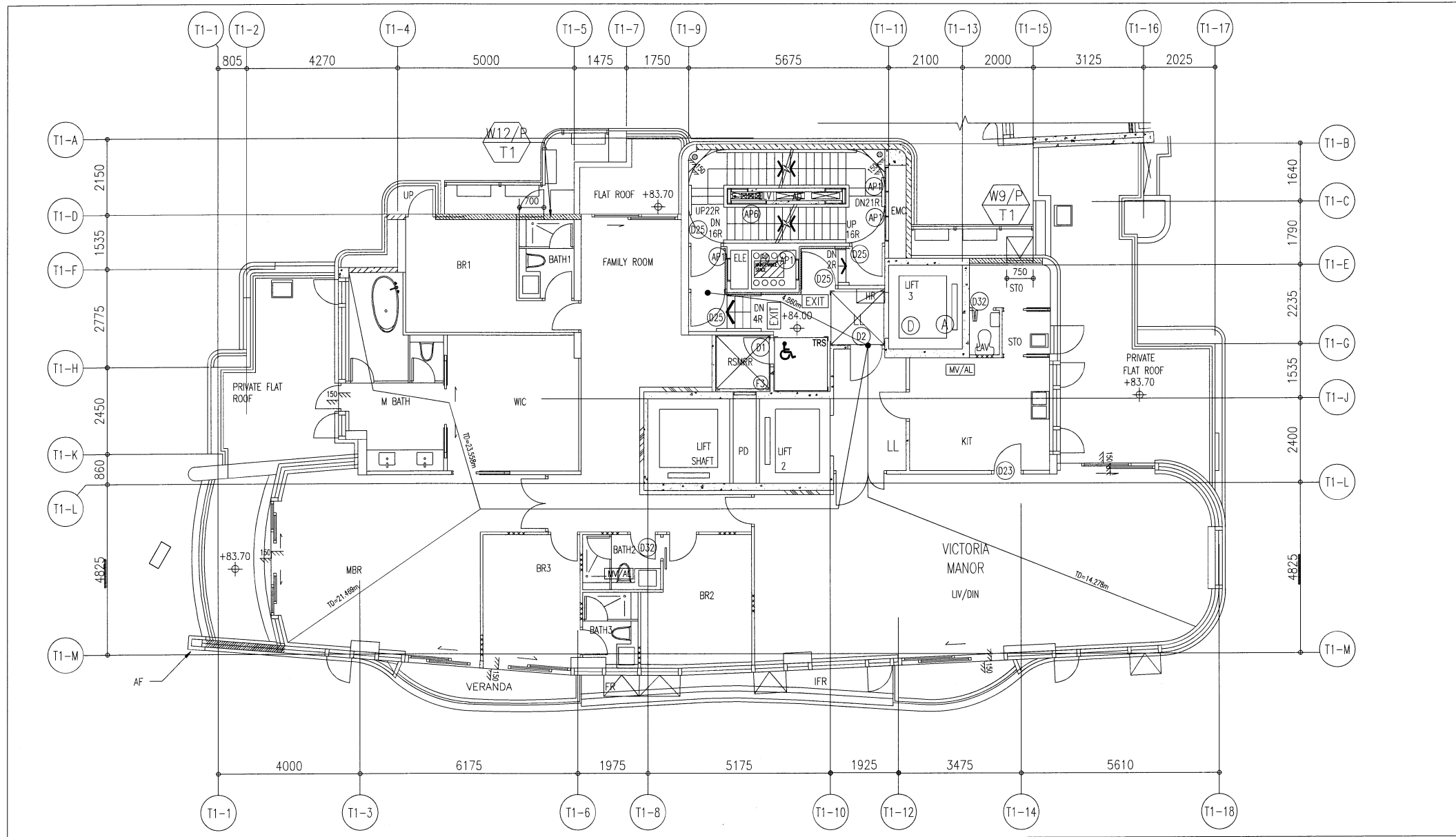
TITLE :
7~25/F WINDOW LOCATION PLAN
FOR PRECAST FACADE
AT TOWER 1

DATE : 21-Nov-21 SCALE : 1:60 (A3)

DRAWN BY : IVAN CHECKED BY :

美特鋁質有限公司
MIDI ALUMINIUM FABRICATOR LTD.
Units 6-8, Sunray Industrial Centre, 1/F
610 Cha Kwo Ling Road, Kowloon
Tel: 23489211-4 Fax: (852) 2727666

DWG NO. : J859-SD-PL-102 REV. : -



26/F WINDOW LOCATION PLAN
FOR PRECAST FACADE AT TOWER 1

B.D. REF :

ARCHITECT :



STRUCTURAL ENGINEER :



SUN HUNG KAI CENTRE, WANCHAI, HONGKONG
TEL: 28278111 FAX: 28272884

FACADE CONSULTANT:



MAIN CONTRACTOR :

Sanfield Engineering
Construction Ltd.

CLIENT :



NOTE :

1. ALL DIMENSIONS ARE IN mm.
2. ALL ELEVATIONS ARE VIEWED FROM OUTSIDE.
3. ALL DIMENSIONS TO BE VERIFIED ON SITE BEFORE FABRICATION.

LEGEND :

- X1 --- DETAIL MARK NO.
- X00 --- REFER SHEET NO.

1. F.F.L. --- FINISHED FLOOR LEVEL
2. S.F.L. --- STRUCTURAL FLOOR LEVEL
3. (R) --- REVERSED DETAIL

NO.	DATE	REVISED	BY

JOB NO. : J-859

PROJECT :
PROPOSED RESIDENTIAL / COMMERCIAL
DEVELOPMENT AT NKIL NO.6551 KAI
TAK AREA 4C, SITE 3
KAI TAK, KOWLOON

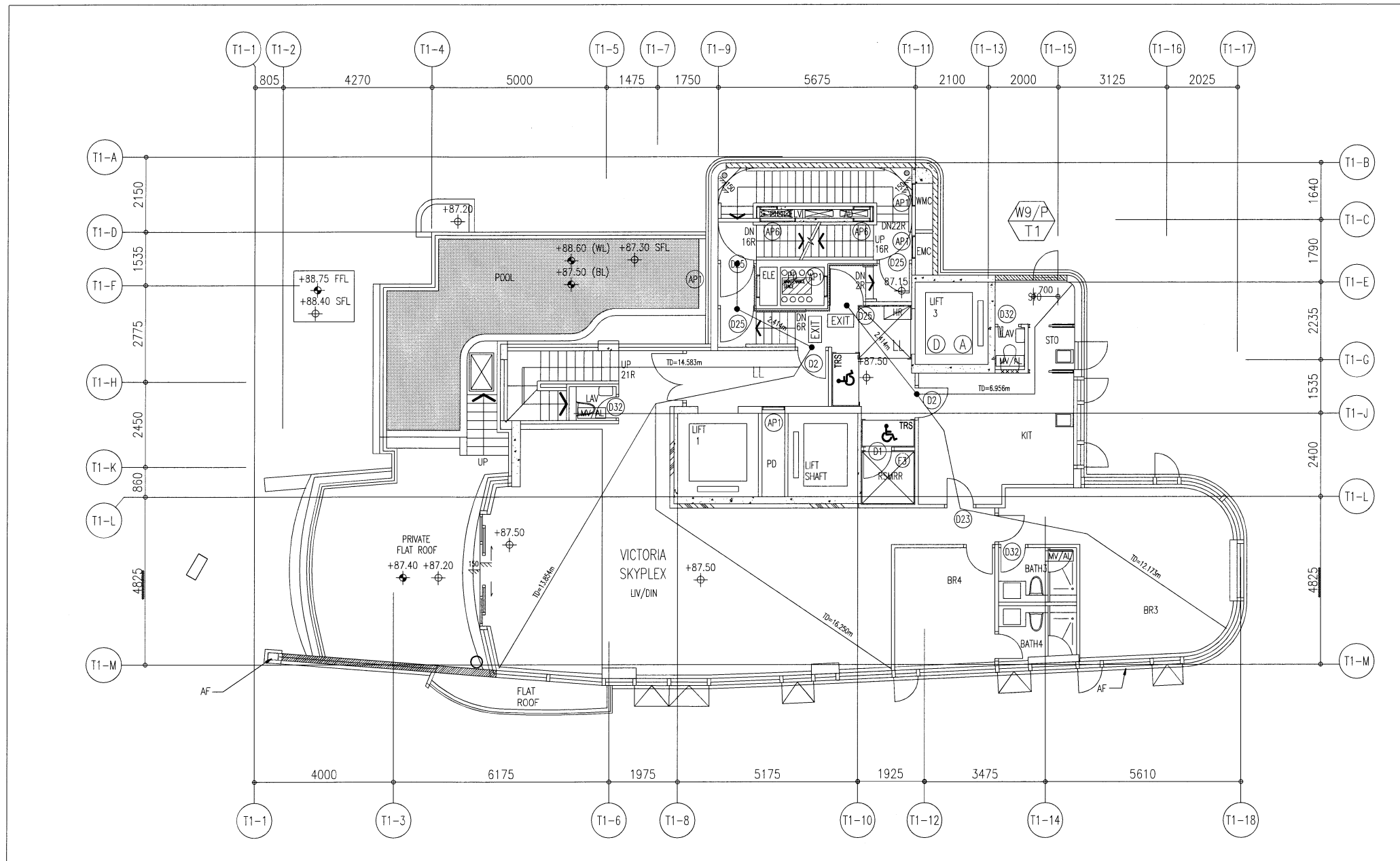
TITLE :
26/F WINDOW LOCATION PLAN
FOR PRECAST FACADE
AT TOWER 1

DATE : 21-Nov-21 SCALE : 1:60 (A3)

DRAWN BY : IVAN CHECKED BY :

美特鋁質有限公司
MIDI ALUMINIUM FABRICATOR LTD.
Units 6-8, Sunray Industrial Centre, 1/F
610 Cha Kwo Ling Road, Kowloon
Tel: 23489211-4 Fax: (852) 27727666

DWG NO. : J859-SD-PL-103 REV. : -



27/F WINDOW LOCATION PLAN
FOR PRECAST FACADE AT TOWER 1

B.D. REF :

ARCHITECT :



STRUCTURAL ENGINEER :



SUN HUNG KAI CENTRE, WANCHAI, HONGKONG
TEL. 28278111 FAX. 28272884

FACADE CONSULTANT:



MAIN CONTRACTOR :

Sanfield Engineering
Construction Ltd.

CLIENT :



42/F SUN HUNG KAI CENTRE, WANCHAI, HONGKONG

NOTE :

1. ALL DIMENSIONS ARE IN mm.
2. ALL ELEVATIONS ARE VIEWED FROM OUTSIDE.
3. ALL DIMENSIONS TO BE VERIFIED ON SITE BEFORE FABRICATION.

LEGEND :

- X1 --- DETAIL MARK NO.
- X001 --- REFER SHEET NO.

1. F.F.L. --- FINISHED FLOOR LEVEL
2. S.F.L. --- STRUCTURAL FLOOR LEVEL
3. (R) --- REVERSED DETAIL

NO.	DATE	REVISED	BY

JOB NO. : J-859

PROJECT :
PROPOSED RESIDENTIAL / COMMERCIAL
DEVELOPMENT AT NKIL NO.6551 KAI
TAK AREA 4C, SITE 3
KAI TAK, KOWLOON

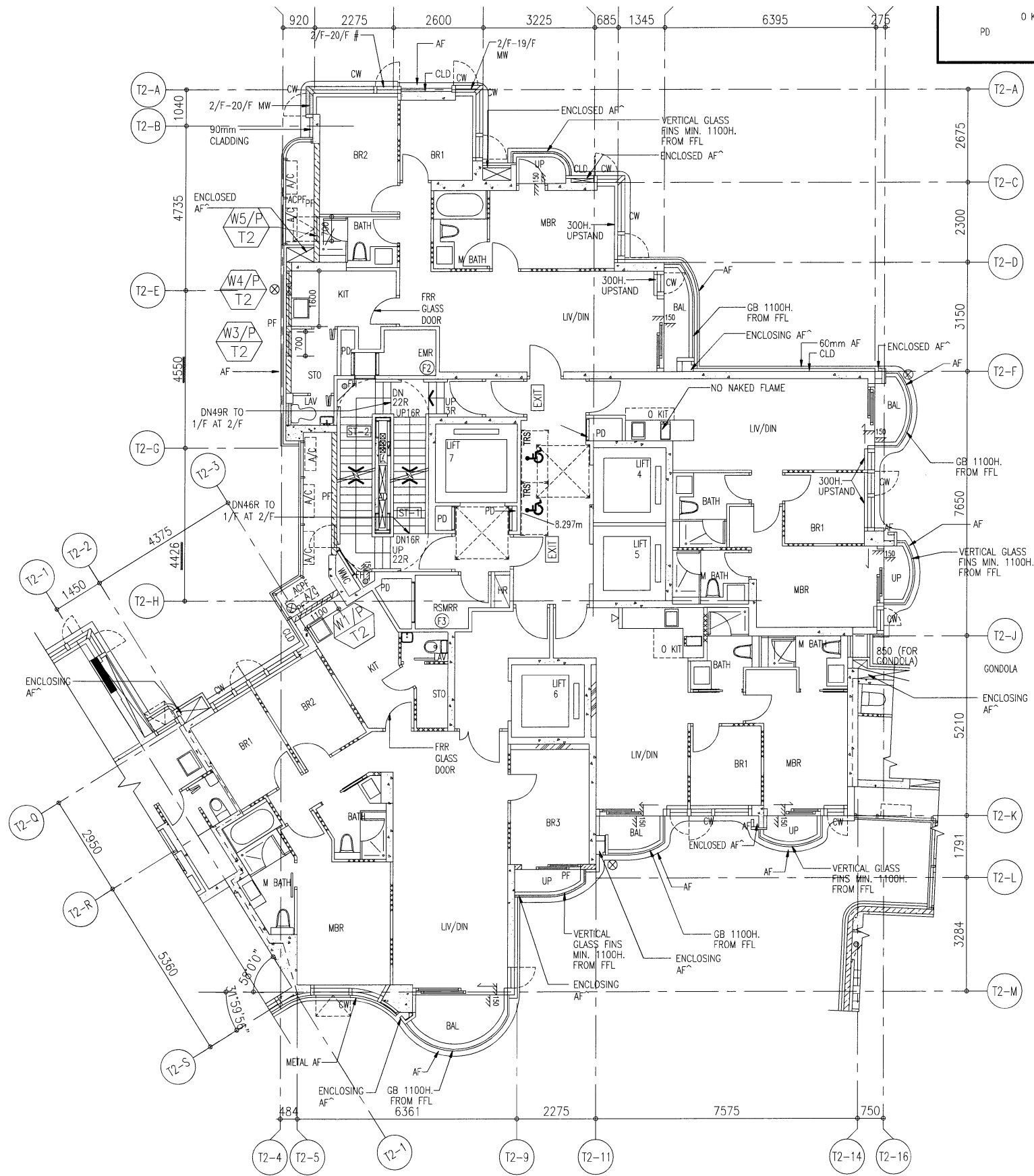
TITLE :
27/F WINDOW LOCATION PLAN
FOR PRECAST FACADE
AT TOWER 1

DATE : 21-Nov-21 SCALE : 1:60 (A3)

DRAWN BY : IVAN CHECKED BY :


美特鋁質有限公司
MIDI ALUMINIUM FABRICATOR LTD.
Units 6-8, Sunray Industrial Centre, 1/F
610 Cha Kwo Ling Road, Kowloon
Tel:23489211-4 Fax:(852)27727666


DWG NO. : J859-SD-PL-104 REV. : -




**TOWER 2 2/F TO 19/F
WINDOW LOCATION PLAN FOR PRECAST FACADE**


B.D. REF :

ARCHITECT :
 **WONG TUNG & PARTNERS LIMITED**
 ARCHITECTS & PLANNERS

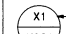
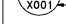
STRUCTURAL ENGINEER :
 **SUN HUNG KAI**
 ARCHITECTS AND ENGINEERS LTD.
 SUN HUNG KAI CENTRE, WANCHAI, HONGKONG
 TEL: 28278111 FAX: 28272864

FAÇADE CONSULTANT:
 **ALPHA CONSULTING LIMITED**
 Steel Structure & Façade Specialist

MAIN CONTRACTOR :
Sanfield Engineering Construction Ltd.

CLIENT :
 **SUN HUNG KAI**
 REAL ESTATE AGENCY LTD.
 42/F SUN HUNG KAI CENTRE, WANCHAI, HONGKONG

NOTE :
 1. ALL DIMENSIONS ARE IN mm.
 2. ALL ELEVATIONS ARE VIEWED FROM OUTSIDE.
 3. ALL DIMENSIONS TO BE VERIFIED ON SITE BEFORE FABRICATION.

LEGEND :
 X1 --- DETAIL MARK NO.
 X001 --- REFER SHEET NO.
 1. F.F.L. --- FINISHED FLOOR LEVEL
 2. S.F.L. --- STRUCTURAL FLOOR LEVEL
 3. (R) --- REVERSED DETAIL

NO.	DATE	REVISED	BY


JOB NO. : J-859

PROJECT : PROPOSED RESIDENTIAL / COMMERCIAL DEVELOPMENT AT NKIL NO.6551 KAI TAK AREA 4C, SITE 3 KAI TAK, KOWLOON

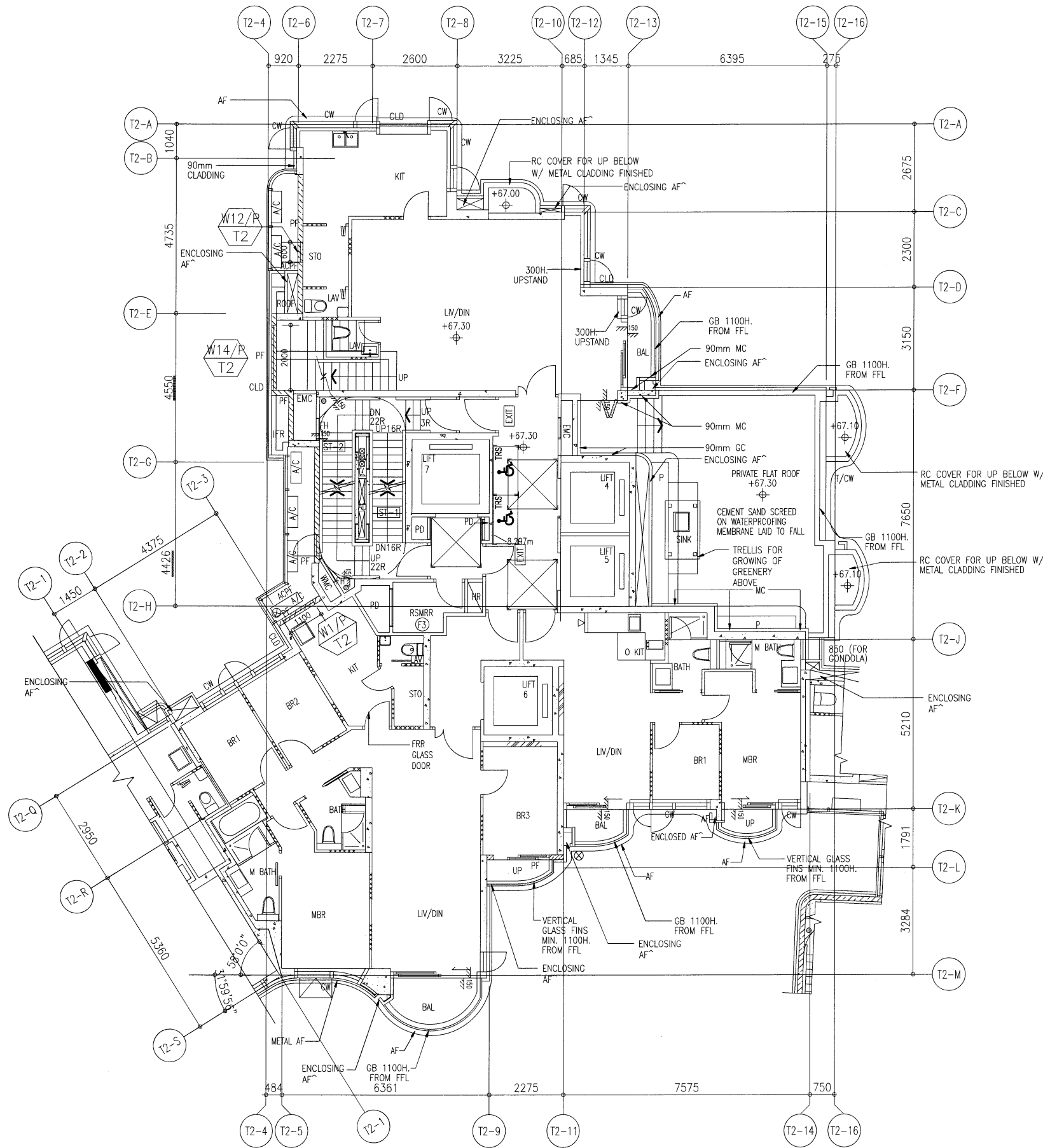
TITLE : 2~19/F WINDOW LOCATION PLAN FOR PRECAST FACADE AT TOWER 2

DATE : 21-Nov-21 SCALE : 1:70 (A3)

DRAWN BY : IVAN CHECKED BY :

 **美特鋁質有限公司**
 MIDI ALUMINIUM FABRICATOR LTD.
 Units 6-8, Sunray Industrial Centre, 1/F
 610 Cha Kwo Ling Road, Kowloon
 Tel:23489211-4 Fax:(852)2727666

DWG NO. : J859-SD-PL-201 REV. : -



TOWER 2 20/F
WINDOW LOCATION PLAN FOR PRECAST FACADE

B.D. REF :

ARCHITECT :



STRUCTURAL ENGINEER :



SUN HUNG KAI CENTRE, WANCHAI, HONGKONG
 TEL: 28278111

FACADE CONSULTANT:



MAIN CONTRACTOR :

Sanfield Engineering Construction Ltd.

CLIENT :



42/F SUN HUNG KAI CENTRE, WANCHAI, HONGKONG

NOTE :

1. ALL DIMENSIONS ARE IN mm.
2. ALL ELEVATIONS ARE VIEWED FROM OUTSIDE.
3. ALL DIMENSIONS TO BE VERIFIED ON SITE BEFORE FABRICATION.

LEGEND :

- X1 --- DETAIL MARK NO.
- X001 --- REFER SHEET NO.

1. F.F.L. --- FINISHED FLOOR LEVEL
2. S.F.L. --- STRUCTURAL FLOOR LEVEL
3. (R) --- REVERSED DETAIL

NO.	DATE	REVISED	BY

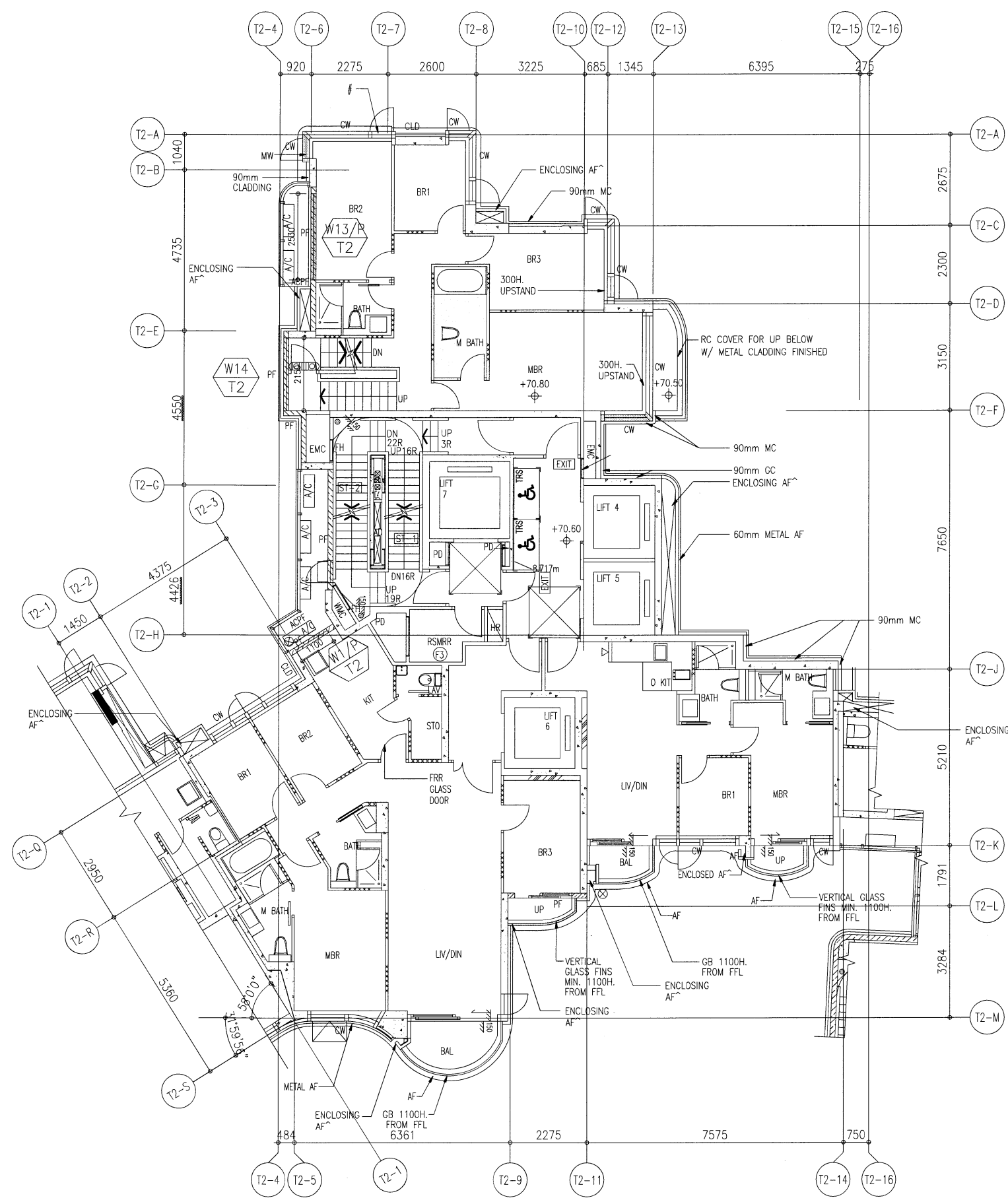
JOB NO. : J-859
 PROJECT : PROPOSED RESIDENTIAL / COMMERCIAL DEVELOPMENT AT NKIL NO.6551 KAI TAK AREA 4C, SITE 3 KAI TAK, KOWLOON
 TITLE : 20/F WINDOW LOCATION PLAN FOR PRECAST FACADE AT TOWER 2

DATE : 21-Nov-21 SCALE : 1:70 (A3)

DRAWN BY : IVAN CHECKED BY :

美特鋁質有限公司
 MIDI ALUMINIUM FABRICATOR LTD.
 Units 6-8, Sunray Industrial Centre, 1/F
 610 Cha Kwo Ling Road, Kowloon
 Tel: 23489211-4 Fax: (852) 2727666

DWG NO. : J859-SD-PL-202 REV. : -



**TOWER 2 21/F
WINDOW LOCATION PLAN FOR PRECAST FACADE**

B.D. REF :

ARCHITECT :

WONG TUNG & PARTNERS LIMITED
 ARCHITECTS & PLANNERS

STRUCTURAL ENGINEER :

SUN HUNG KAI
 ARCHITECTS AND ENGINEERS LTD.
 SUN HUNG KAI CENTRE, WANCHAI, HONGKONG
 TEL: 28278111 FAX: 28272884

FAÇADE CONSULTANT:

ALPHA CONSULTING LIMITED
 Steel Structure & Façade Specialist

MAIN CONTRACTOR :
Sanfield Engineering Construction Ltd.

CLIENT :

SUN HUNG KAI
 REAL ESTATE AGENCY LTD.
 42/F SUN HUNG KAI CENTRE, WANCHAI, HONGKONG

NOTE :
 1. ALL DIMENSIONS ARE IN mm.
 2. ALL ELEVATIONS ARE VIEWED FROM OUTSIDE.
 3. ALL DIMENSIONS TO BE VERIFIED ON SITE BEFORE FABRICATION.

LEGEND :
 (X1) — DETAIL MARK NO.
 (X001) — REFER SHEET NO.
 1. F.F.L. — FINISHED FLOOR LEVEL
 2. S.F.L. — STRUCTURAL FLOOR LEVEL
 3. (R) — REVERSED DETAIL

NO.	DATE	REVISED	BY

JOB NO. : J-859

PROJECT :
 PROPOSED RESIDENTIAL / COMMERCIAL DEVELOPMENT AT NKIL NO.6551 KAI TAK AREA 4C, SITE 3 KAI TAK, KOWLOON

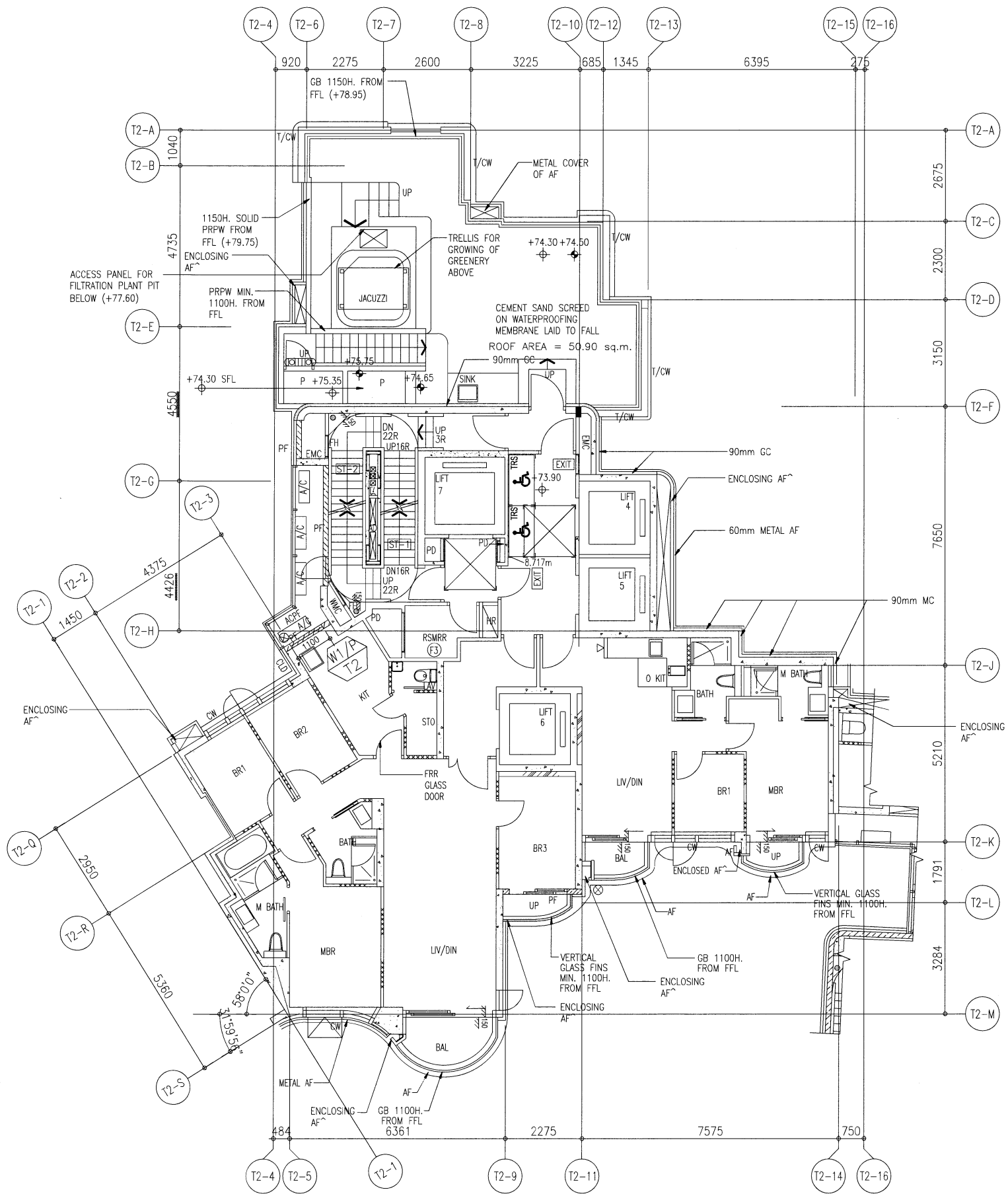
TITLE :
 21/F WINDOW LOCATION PLAN FOR PRECAST FACADE AT TOWER 2

DATE : 21-Nov-21 SCALE : 1:70 (A3)

DRAWN BY : IVAN CHECKED BY :


美特铝质有限公司
MIDI ALUMINIUM FABRICATOR LTD.
 Units 6-8, Sunray Industrial Centre, 1/F
 610 Cha Kwo Ling Road, Kowloon
 Tel: 23489211-4 Fax: (852) 27276666

DWG NO. : J859-SD-PL-203 REV. : -



TOWER 2 22/F
WINDOW LOCATION PLAN FOR PRECAST FACADE

B.D. REF :

ARCHITECT :
WONG TUNG & PARTNERS LIMITED
 ARCHITECTS & PLANNERS

STRUCTURAL ENGINEER :
SUN HUNG KAI
 ARCHITECTS AND ENGINEERS LTD.
 SUN HUNG KAI CENTRE, WANCHAI, HONGKONG
 TEL. 28278111 FAX. 28272864

FACADE CONSULTANT:
ALPHA CONSULTING LIMITED
 Steel Structure & Facade Specialist

MAIN CONTRACTOR :
Sanfield Engineering Construction Ltd.

CLIENT :
SUN HUNG KAI
 REAL ESTATE AGENCY LTD.
 42/F SUN HUNG KAI CENTRE, WANCHAI, HONGKONG

NOTE :
 1. ALL DIMENSIONS ARE IN mm.
 2. ALL ELEVATIONS ARE VIEWED FROM OUTSIDE.
 3. ALL DIMENSIONS TO BE VERIFIED ON SITE BEFORE FABRICATION.

LEGEND :
 X1 --- DETAIL MARK NO.
 X001 --- REFER SHEET NO.
 1. F.F.L. --- FINISHED FLOOR LEVEL
 2. S.F.L. --- STRUCTURAL FLOOR LEVEL
 3. (R) --- REVERSED DETAIL

NO.	DATE	REVISED	BY

JOB NO. : J-859
 PROJECT : PROPOSED RESIDENTIAL / COMMERCIAL DEVELOPMENT AT NKIL NO.6551 KAI TAK AREA 4C, SITE 3 KAI TAK, KOWLOON

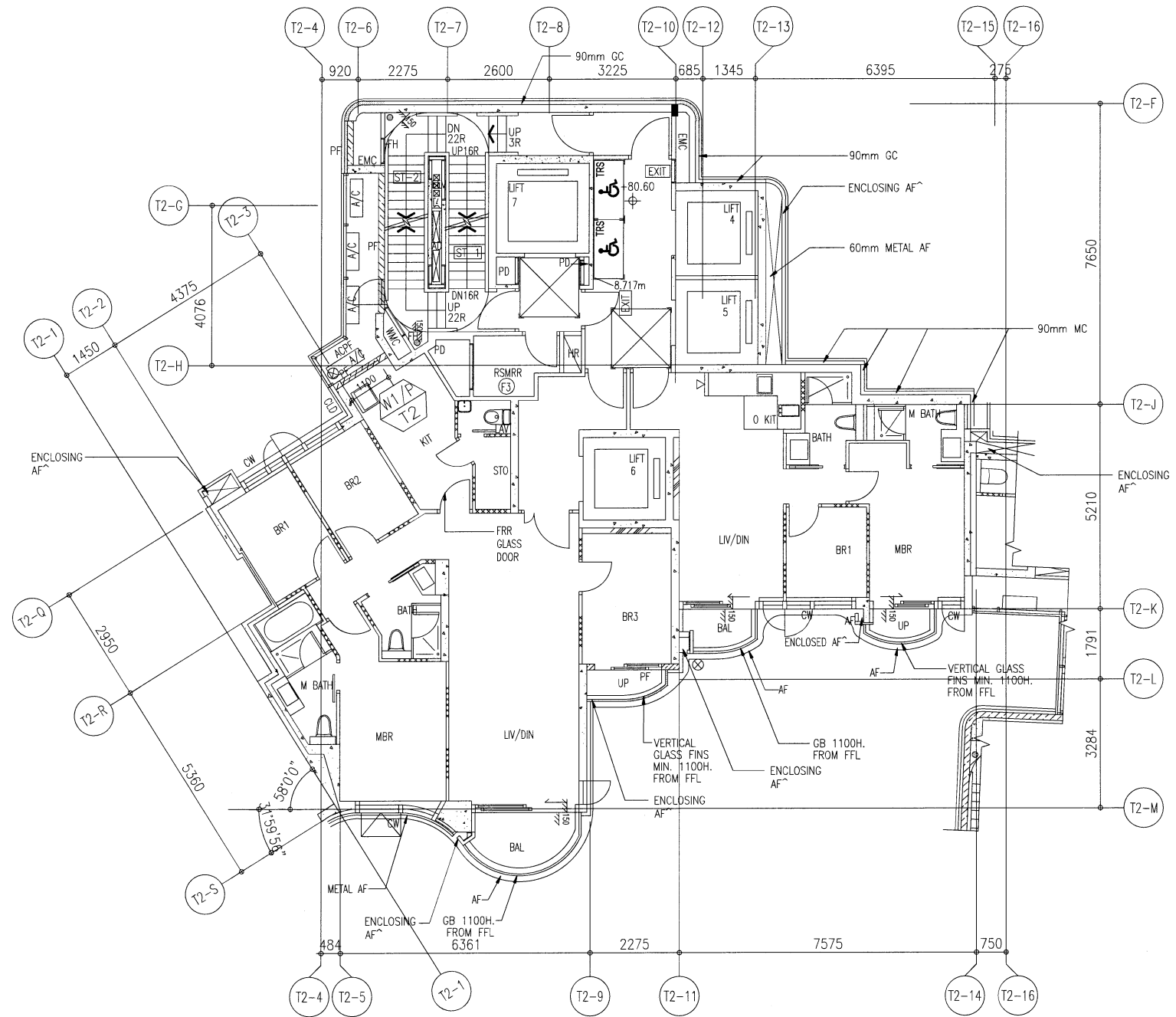
TITLE : 22/F WINDOW LOCATION PLAN FOR PRECAST FACADE AT TOWER 2

DATE : 21-Nov-21 SCALE : 1:70 (A3)

DRAWN BY : IVAN CHECKED BY :

美特鋁質有限公司
MIDI ALUMINIUM FABRICATOR LTD.
 Units 6-8, Sunray Industrial Centre, 1/F
 610 Cha Kwo Ling Road, Kowloon
 Tel:23489211-4 Fax:(852)2727666

DWG NO. : J859-SD-PL-204 REV. : -



**TOWER 2 23/F TO 25/F
WINDOW LOCATION PLAN FOR PRECAST FACADE**

B.D. REF :

ARCHITECT :
 **WONG TUNG & PARTNERS LIMITED**
 ARCHITECTS & PLANNERS

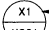
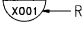
STRUCTURAL ENGINEER :
 **SUN HUNG KAI**
 ARCHITECTS AND ENGINEERS LTD.
 SUN HUNG KAI CENTRE, WANCHAI, HONGKONG
 TEL. 28278111 FAX. 28272864

FACADE CONSULTANT:
 **ALPHA CONSULTING LIMITED**
 Steel Structure & Facade Specialist

MAIN CONTRACTOR :
Sanfield Engineering Construction Ltd.

CLIENT :
 **SUN HUNG KAI**
 REAL ESTATE AGENCY LTD.
 42/F SUN HUNG KAI CENTRE, WANCHAI, HONGKONG

NOTE :
 1. ALL DIMENSIONS ARE IN mm.
 2. ALL ELEVATIONS ARE VIEWED FROM OUTSIDE.
 3. ALL DIMENSIONS TO BE VERIFIED ON SITE BEFORE FABRICATION.

LEGEND :
 -- DETAIL MARK NO.
 -- REFER SHEET NO.
 1. F.F.L. -- FINISHED FLOOR LEVEL
 2. S.F.L. -- STRUCTURAL FLOOR LEVEL
 3. (R) -- REVERSED DETAIL

NO.	DATE	REVISED	BY

JOB NO. : J-859

PROJECT :
 PROPOSED RESIDENTIAL / COMMERCIAL
 DEVELOPMENT AT NKIL NO.6551 KAI
 TAK AREA 4C, SITE 3
 KAI TAK, KOWLOON

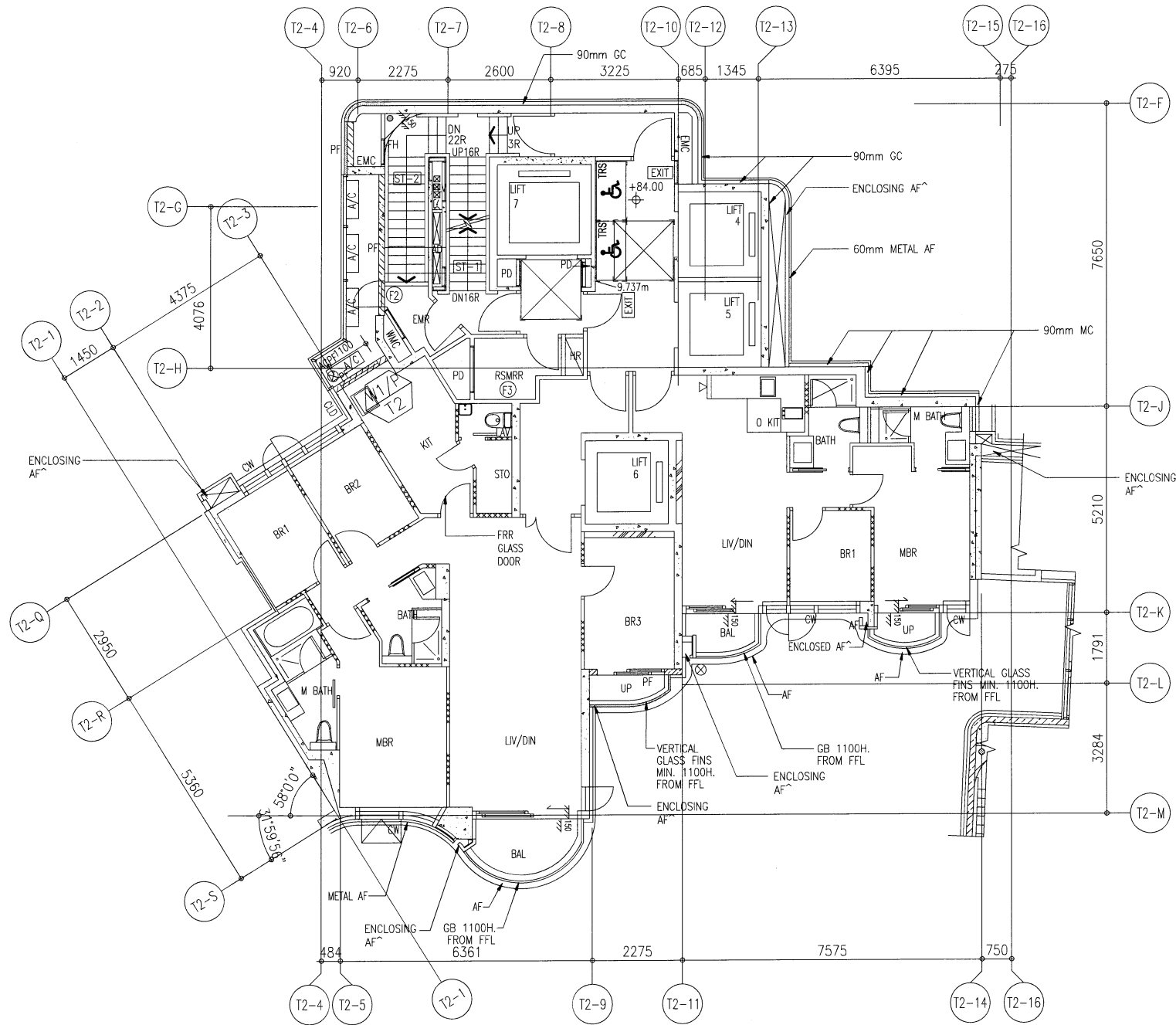
TITLE :
 23~25/F WINDOW LOCATION PLAN
 FOR PRECAST FACADE
 AT TOWER 2

DATE : 21-Nov-21 SCALE : 1:60 (A3)

DRAWN BY : IVAN CHECKED BY :

 **美特鋁質有限公司**
 MIDI ALUMINIUM FABRICATOR LTD.
 Units 6-8, Sunray Industrial Centre, 1/F
 610 Cha Kwo Ling Road, Kowloon
 Tel:23489211-4 Fax:(852)27727666

DWG NO. : J859-SD-PL-205 REV. : -



**TOWER 2 26/F
WINDOW LOCATION PLAN FOR PRECAST FACADE**

B.D. REF :

ARCHITECT :
WONG TUNG & PARTNERS LIMITED
ARCHITECTS & PLANNERS

STRUCTURAL ENGINEER :
SUN HUNG KAI
ARCHITECTS AND ENGINEERS LTD.
SUN HUNG KAI CENTRE, WANCHAI, HONGKONG
TEL: 28278111 FAX: 28272884

FACADE CONSULTANT:
ALPHA CONSULTING LIMITED
Steel Structure & Facade Specialist

MAIN CONTRACTOR :
Sanfield Engineering Construction Ltd.

CLIENT :
SUN HUNG KAI
REAL ESTATE AGENCY LTD.
42/F SUN HUNG KAI CENTRE, WANCHAI, HONGKONG

NOTE :
1. ALL DIMENSIONS ARE IN mm.
2. ALL ELEVATIONS ARE VIEWED FROM OUTSIDE.
3. ALL DIMENSIONS TO BE VERIFIED ON SITE BEFORE FABRICATION.

LEGEND :
X1 --- DETAIL MARK NO.
X001 --- REFER SHEET NO.
1. F.F.L. --- FINISHED FLOOR LEVEL
2. S.F.L. --- STRUCTURAL FLOOR LEVEL
3. (R) --- REVERSED DETAIL

NO.	DATE	REVISED	BY

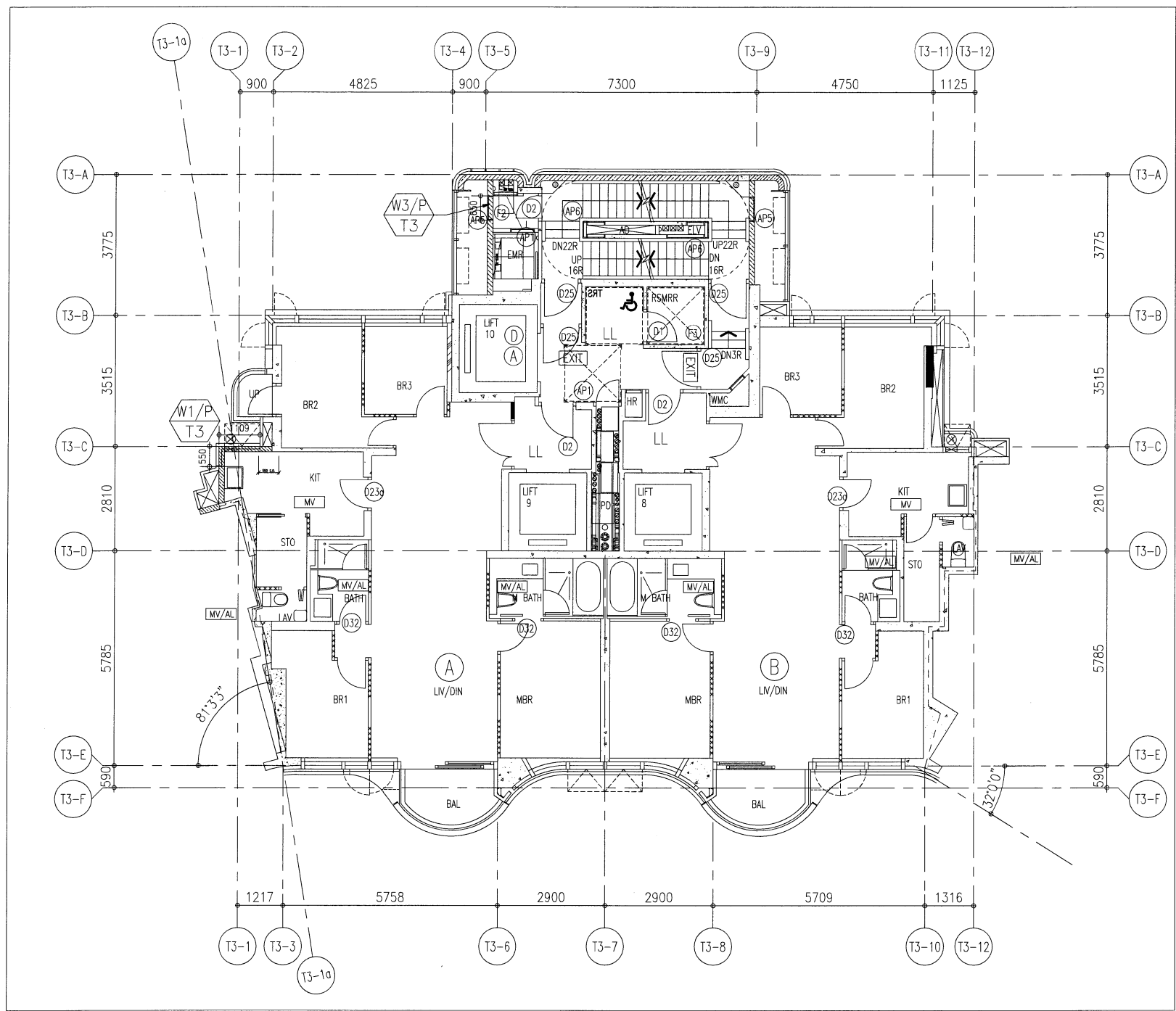
JOB NO. : J-859
PROJECT : PROPOSED RESIDENTIAL / COMMERCIAL DEVELOPMENT AT NKIL NO.6551 KAI TAK AREA 4C, SITE 3 KAI TAK, KOWLOON

TITLE : 26/F WINDOW LOCATION PLAN FOR PRECAST FACADE AT TOWER 2

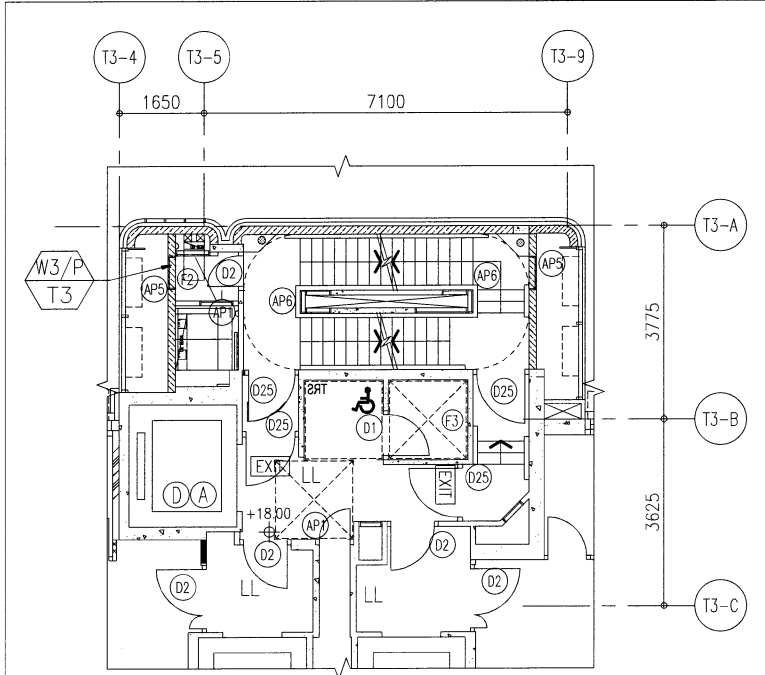
DATE : 21-Nov-21 SCALE : 1:60 (A3)

DRAWN BY : IVAN CHECKED BY :

美特鋁質有限公司
MIDI ALUMINIUM FABRICATOR LTD.
Units 6-8, Sunray Industrial Centre, 1/F
610 Cha Kwo Ling Road, Kowloon
Tel:23489211-4 Fax:(852)2727666
DWG NO. : J859-SD-PL-206 REV. : -



2/F TO 26/F WINDOW LOCATION PLAN FOR PRECAST FACADE
AT TOWER 3 (21 STOREYS, 4/F,13/F,14/F,24/F OMITTED)



2/F PART PLAN OF TOWER 3

B.D. REF :

ARCHITECT :
WT WONG TUNG & PARTNERS LIMITED
ARCHITECTS & PLANNERS

STRUCTURAL ENGINEER :
SK SUN HUNG KAI
ARCHITECTS AND ENGINEERS LTD.
SUN HUNG KAI CENTRE, WANCHAI, HONGKONG
TEL: 28278111 FAX: 28272884

FACADE CONSULTANT:
α ALPHA CONSULTING LIMITED
Steel Structure & Facade Specialist

MAIN CONTRACTOR :
Sanfield Engineering
Construction Ltd.

CLIENT :
SK SUN HUNG KAI
REAL ESTATE AGENCY LTD.
42/F SUN HUNG KAI CENTRE, WANCHAI, HONGKONG

NOTE :
1. ALL DIMENSIONS ARE IN mm.
2. ALL ELEVATIONS ARE VIEWED FROM OUTSIDE.
3. ALL DIMENSIONS TO BE VERIFIED ON SITE BEFORE FABRICATION.

LEGEND :
X1 --- DETAIL MARK NO.
X001 --- REFER SHEET NO.
1. F.F.L. --- FINISHED FLOOR LEVEL
2. S.F.L. --- STRUCTURAL FLOOR LEVEL
3. (R) --- REVERSED DETAIL

NO.	DATE	REVISED	BY

JOB NO. : J-859

PROJECT :
PROPOSED RESIDENTIAL / COMMERCIAL
DEVELOPMENT AT NKIL NO.6551 KAI
TAK AREA 4C, SITE 3
KAI TAK, KOWLOON

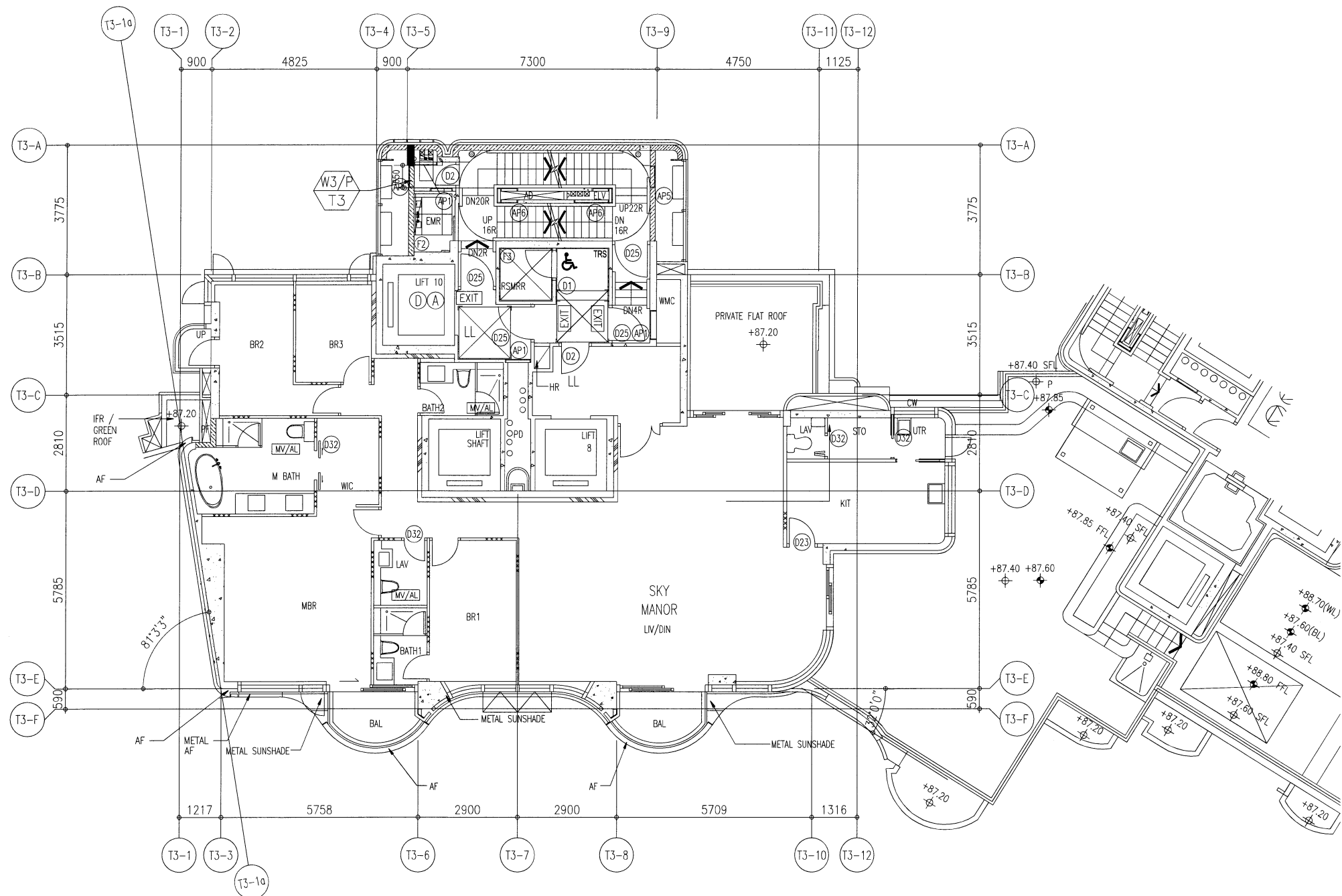
TITLE :
2~26/F WINDOW LOCATION PLAN
FOR PRECAST FACADE
AT TOWER 3

DATE : 17-Nov-21 SCALE : 1:60 (A3)

DRAWN BY : IVAN CHECKED BY :

美特鋁質有限公司
MIDI ALUMINIUM FABRICATOR LTD.
Units 6-8, Sunray Industrial Centre, 1/F
610 Cha Kwo Ling Road, Kowloon
Tel: 23489211-4 Fax: (852) 27727666

DWG NO. : J859-SD-PL-301 REV. : -



27/F WINDOW LOCATION PLAN
FOR PRECAST FACADE AT TOWER 3

B.D. REF :

ARCHITECT :
WT WONG TUNG & PARTNERS LIMITED
ARCHITECTS & PLANNERS

STRUCTURAL ENGINEER :
SUN HUNG KAI
ARCHITECTS AND ENGINEERS LTD.
SUN HUNG KAI CENTRE, WANCHAI, HONGKONG
TEL. 28278111 FAX. 28272864

FACADE CONSULTANT:
α ALPHA CONSULTING LIMITED
Steel Structure & Facade Specialist

MAIN CONTRACTOR :
Sanfield Engineering Construction Ltd.

CLIENT :
SUN HUNG KAI
REAL ESTATE AGENCY LTD.
42/F SUN HUNG KAI CENTRE, WANCHAI, HONGKONG

NOTE :
1. ALL DIMENSIONS ARE IN mm.
2. ALL ELEVATIONS ARE VIEWED FROM OUTSIDE.
3. ALL DIMENSIONS TO BE VERIFIED ON SITE BEFORE FABRICATION.

LEGEND :
X1 --- DETAIL MARK NO.
X001 --- REFER SHEET NO.
1. F.F.L. --- FINISHED FLOOR LEVEL
2. S.F.L. --- STRUCTURAL FLOOR LEVEL
3. (R) --- REVERSED DETAIL

NO.	DATE	REVISED	BY

JOB NO. : J-859

PROJECT :
PROPOSED RESIDENTIAL / COMMERCIAL
DEVELOPMENT AT NKIL NO.6551 KAI
TAK AREA 4C, SITE 3
KAI TAK, KOWLOON

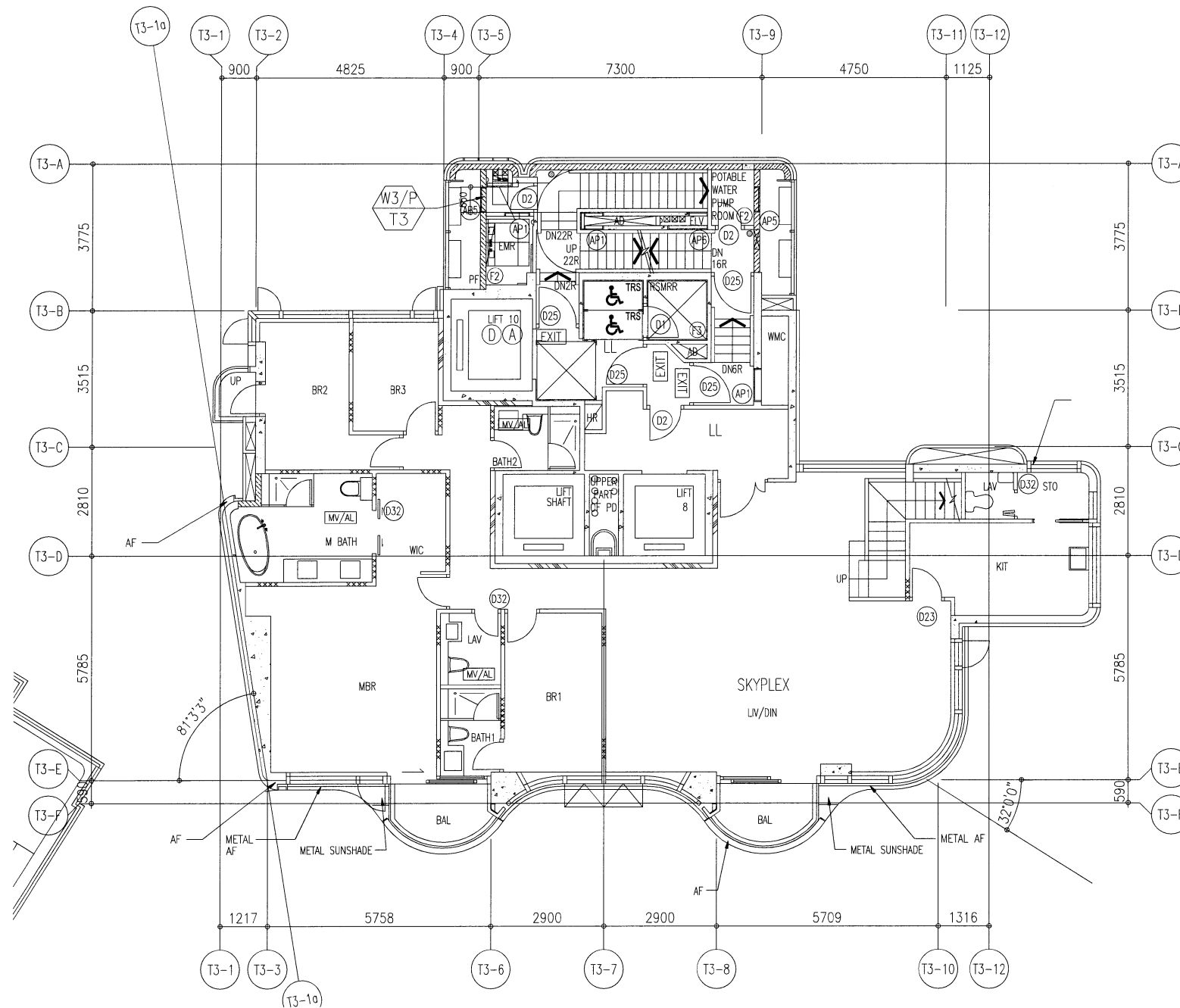
TITLE :
27/F WINDOW LOCATION PLAN
FOR PRECAST FACADE
AT TOWER 3

DATE : 17-Nov-21 SCALE : 1:60 (A3)

DRAWN BY : IVAN CHECKED BY :

美特鋁質有限公司
MIDI ALUMINIUM FABRICATOR LTD.
Units 6-8, Sunray Industrial Centre, 1/F
610 Cha Kwo Ling Road, Kowloon
Tel:23489211-4 Fax:(852)2727666

DWG NO. : J859-SD-PL-302 REV. : -



28/F WINDOW LOCATION PLAN
FOR PRECAST FACADE AT TOWER 3

B.D. REF :

ARCHITECT :
WONG TUNG & PARTNERS LIMITED
ARCHITECTS & PLANNERS

STRUCTURAL ENGINEER :
SUN HUNG KAI
ARCHITECTS AND ENGINEERS LTD.
SUN HUNG KAI CENTRE, WANCHAI, HONGKONG
TEL. 28278111 FAX. 28272864

FACADE CONSULTANT:
ALPHA CONSULTING LIMITED
Steel Structure & Facade Specialist

MAIN CONTRACTOR :
Sanfield Engineering Construction Ltd.

CLIENT :
SUN HUNG KAI
REAL ESTATE AGENCY LTD.
42/F SUN HUNG KAI CENTRE, WANCHAI, HONGKONG

NOTE :
1. ALL DIMENSIONS ARE IN mm.
2. ALL ELEVATIONS ARE VIEWED FROM OUTSIDE.
3. ALL DIMENSIONS TO BE VERIFIED ON SITE BEFORE FABRICATION.

LEGEND :
X1 — DETAIL MARK NO.
X001 — REFER SHEET NO.
1. F.F.L. -- FINISHED FLOOR LEVEL
2. S.F.L. -- STRUCTURAL FLOOR LEVEL
3. (R) -- REVERSED DETAIL

NO.	DATE	REVISED	BY

JOB NO. : J-859

PROJECT :
PROPOSED RESIDENTIAL / COMMERCIAL
DEVELOPMENT AT NKIL NO.6551 KAI
TAK AREA 4C, SITE 3
KAI TAK, KOWLOON

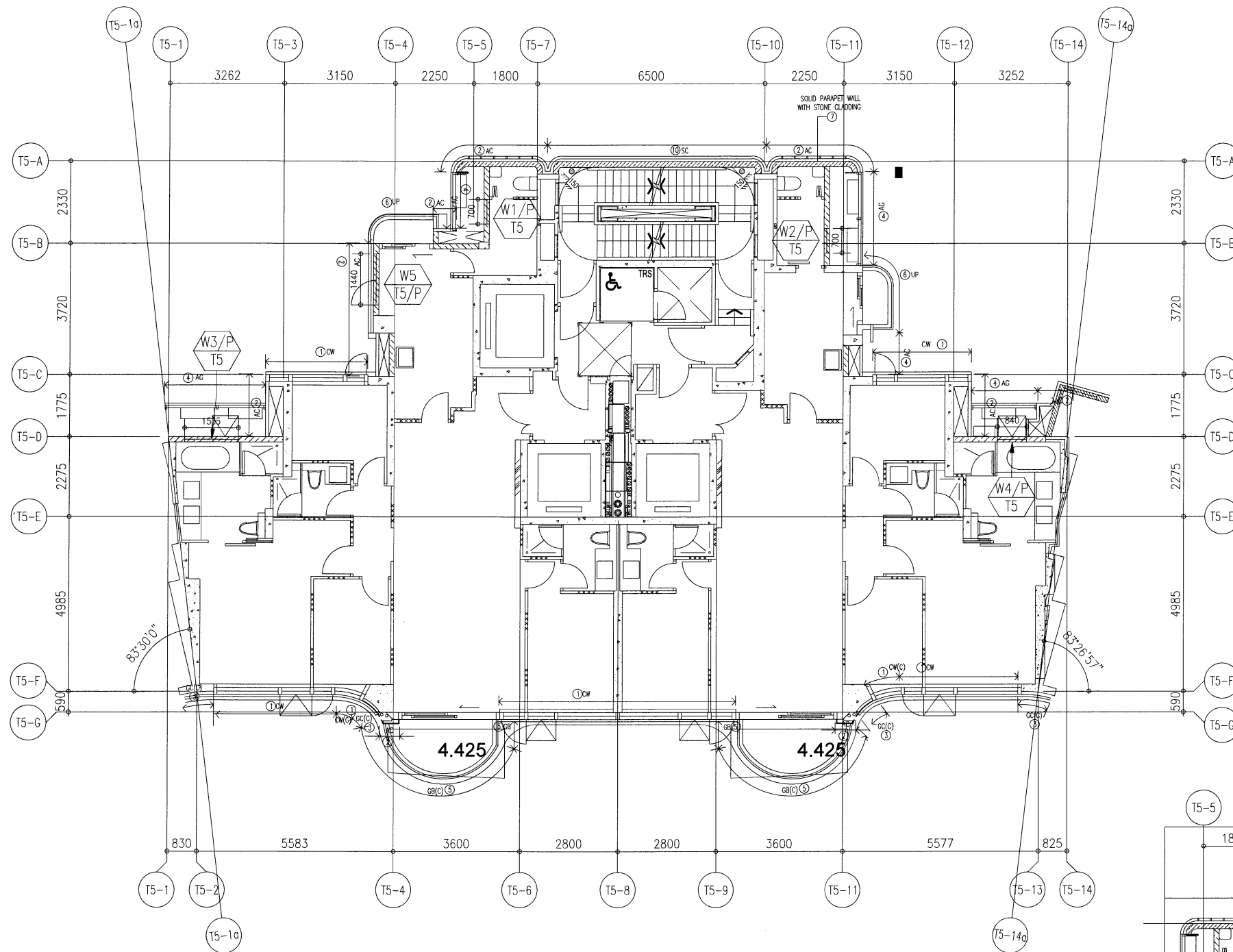
TITLE :
28/F WINDOW LOCATION PLAN
FOR PRECAST FACADE
AT TOWER 3

DATE : 17-Nov-21 SCALE : 1:60 (A3)

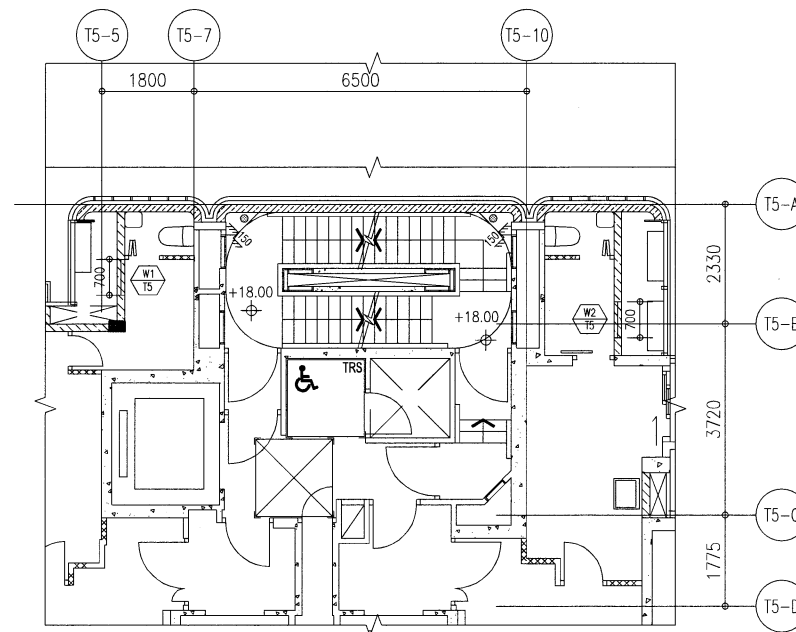
DRAWN BY : IVAN CHECKED BY :

美特鋁質有限公司
MIDI ALUMINIUM FABRICATOR LTD.
Units 6-8, Sunray Industrial Centre, 1/F
610 Cha Kwo Ling Road, Kowloon
Tel:23489211-4 Fax:(852)27727666

DWG NO. : J859-SD-PL-303 REV. : -



2/F TO 26/F WINDOW LOCATION PLAN FOR PRECAST FACADE
AT TOWER 5 (21 STOREYS, 4/F,13/F,14/F,24/F OMITTED)



2/F PART PLAN OF TOWER 5

B.D. REF :

ARCHITECT :
WT WONG TUNG & PARTNERS LIMITED
ARCHITECTS & PLANNERS

STRUCTURAL ENGINEER :
SUN HUNG KAI
ARCHITECTS AND ENGINEERS LTD.
SUN HUNG KAI CENTRE, WANCHAI, HONGKONG
TEL: 28278111 FAX: 28272884

FACADE CONSULTANT:
α ALPHA CONSULTING LIMITED
Steel Structure & Facade Specialist

MAIN CONTRACTOR :
Sanfield Engineering Construction Ltd.

CLIENT :
SUN HUNG KAI
REAL ESTATE AGENCY LTD.
42/F SUN HUNG KAI CENTRE, WANCHAI, HONGKONG

NOTE :
1. ALL DIMENSIONS ARE IN mm.
2. ALL ELEVATIONS ARE VIEWED FROM OUTSIDE.
3. ALL DIMENSIONS TO BE VERIFIED ON SITE BEFORE FABRICATION.

LEGEND :
X1 --- DETAIL MARK NO.
X001 --- REFER SHEET NO.
1. F.F.L. -- FINISHED FLOOR LEVEL
2. S.F.L. -- STRUCTURAL FLOOR LEVEL
3. (R) -- REVERSED DETAIL

NO.	DATE	REVISED	BY

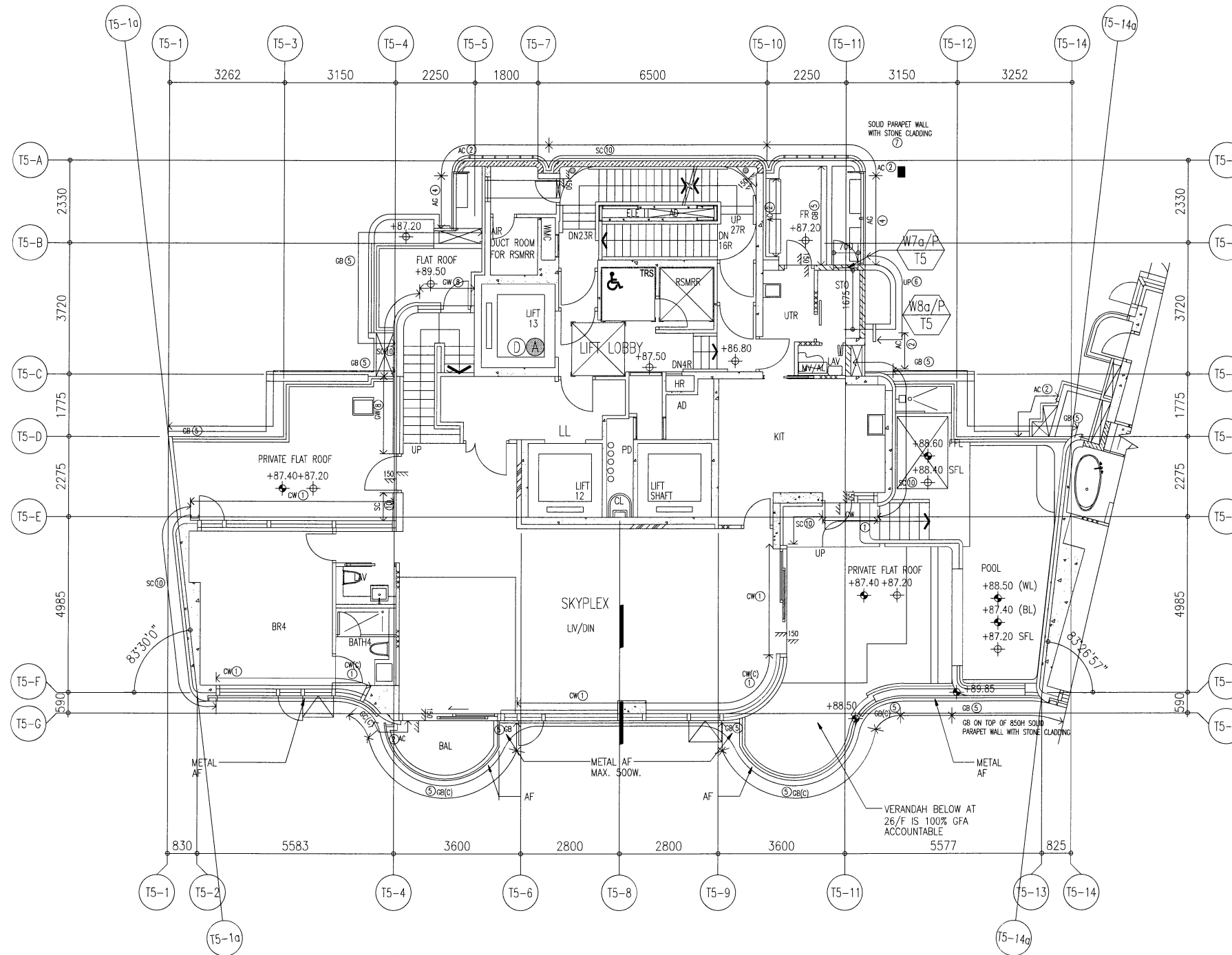
JOB NO. : J-859
PROJECT : PROPOSED RESIDENTIAL / COMMERCIAL DEVELOPMENT AT NKIL NO.6551 KAI TAK AREA 4C, SITE 3 KAI TAK, KOWLOON
TITLE : 2~26/F WINDOW LOCATION PLAN FOR PRECAST FACADE AT TOWER 5

DATE : 17-Nov-21 SCALE : 1:70 (A3)

DRAWN BY : IVAN CHECKED BY :

美特鋁質有限公司
MIDI ALUMINIUM FABRICATOR LTD.
Units 6-8, Sunray Industrial Centre, 1/F
610 Cha Kwo Ling Road, Kowloon
Tel:23489211-4 Fax:(852)2727666

DWG NO. : J859-SD-PL-501 REV. : B



27/F WINDOW LOCATION PLAN
FOR PRECAST FACADE AT TOWER 5

B.D. REF :

ARCHITECT :
WT WONG TUNG & PARTNERS LIMITED
ARCHITECTS & PLANNERS

STRUCTURAL ENGINEER :
SUN HUNG KAI
ARCHITECTS AND ENGINEERS LTD.
SUN HUNG KAI CENTRE, WANCHAI, HONGKONG
TEL: 28278111 FAX: 28272884

FACADE CONSULTANT:
α ALPHA CONSULTING LIMITED
Steel Structure & Facade Specialist

MAIN CONTRACTOR :
Sanfield Engineering Construction Ltd.

CLIENT :
SUN HUNG KAI
REAL ESTATE AGENCY LTD.
42/F SUN HUNG KAI CENTRE, WANCHAI, HONGKONG

NOTE:
1. ALL DIMENSIONS ARE IN mm.
2. ALL ELEVATIONS ARE VIEWED FROM OUTSIDE.
3. ALL DIMENSIONS TO BE VERIFIED ON SITE BEFORE FABRICATION.

LEGEND:
X1 --- DETAIL MARK NO.
X001 --- REFER SHEET NO.
1. F.F.L. --- FINISHED FLOOR LEVEL
2. S.F.L. --- STRUCTURAL FLOOR LEVEL
3. (R) --- REVERSED DETAIL

NO.	DATE	REVISED	BY

JOB NO. : J-859
PROJECT : PROPOSED RESIDENTIAL / COMMERCIAL DEVELOPMENT AT NKIL NO.6551 KAI TAK AREA 4C, SITE 3 KAI TAK, KOWLOON

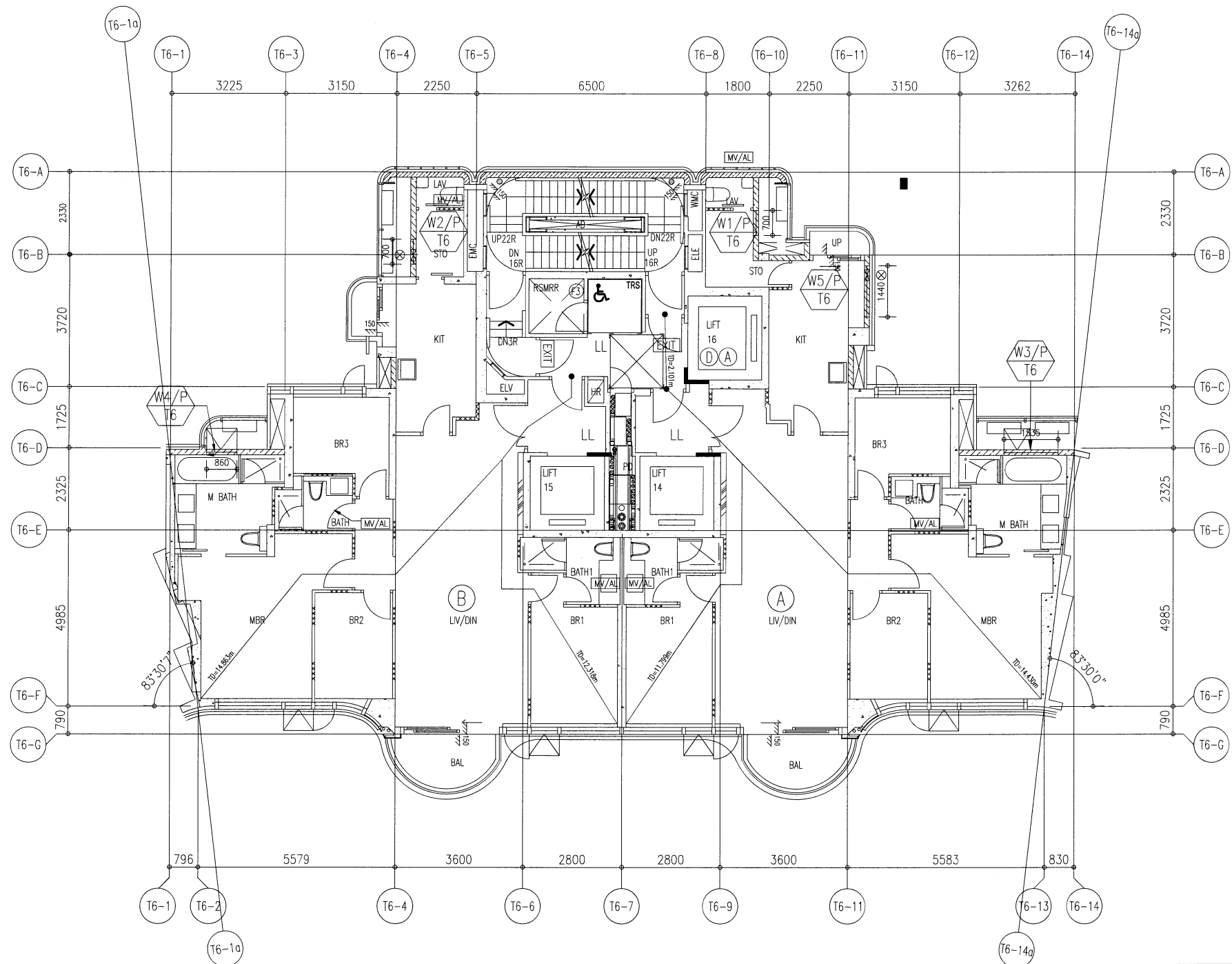
TITLE : 27/F WINDOW LOCATION PLAN FOR PRECAST FACADE AT TOWER 5

DATE : 17-Nov-21 SCALE : 1:60 (A3)

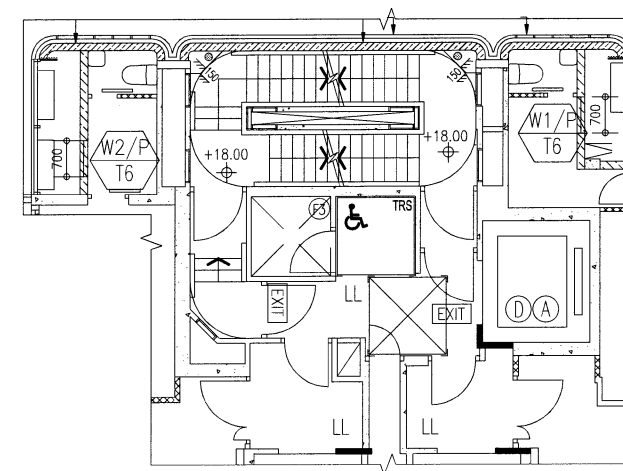
DRAWN BY : IVAN CHECKED BY :

美特鋁質有限公司
MIDI ALUMINIUM FABRICATOR LTD.
Units 6-8, Sunray Industrial Centre, 1/F
610 Cha Kwo Ling Road, Kowloon
Tel: 23489211-4 Fax: (852) 2727666

DWG NO. : J859-SD-PL-502 REV. : -



2/F TO 26/F WINDOW LOCATION PLAN FOR PRECAST FACADE
AT TOWER 6 (21 STOREYS, 4/F,13/F,14/F,24/F OMITTED)



2/F PART PLAN OF TOWER 6

B.D. REF :

ARCHITECT :



STRUCTURAL ENGINEER :



SUN HUNG KAI CENTRE, WANCHAI, HONGKONG
TEL: 28278111 FAX: 28272884

FACADE CONSULTANT :



MAIN CONTRACTOR :

Sanfield Engineering
Construction Ltd.

CLIENT :



42/F SUN HUNG KAI CENTRE, WANCHAI, HONGKONG

NOTE :

1. ALL DIMENSIONS ARE IN mm.
2. ALL ELEVATIONS ARE VIEWED FROM OUTSIDE.
3. ALL DIMENSIONS TO BE VERIFIED ON SITE BEFORE FABRICATION.

LEGEND :

- X1 --- DETAIL MARK NO.
- X001 --- REFER SHEET NO.

1. F.F.L. --- FINISHED FLOOR LEVEL
2. S.F.L. --- STRUCTURAL FLOOR LEVEL
3. (R) --- REVERSED DETAIL

NO.	DATE	REVISED	BY

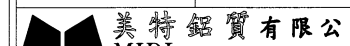
JOB NO. : J-859

PROJECT :
PROPOSED RESIDENTIAL / COMMERCIAL
DEVELOPMENT AT NKIL NO.6551 KAI
TAK AREA 4C, SITE 3
KAI TAK, KOWLOON

TITLE :
2~26/F WINDOW LOCATION PLAN
FOR PRECAST FACADE
AT TOWER 6

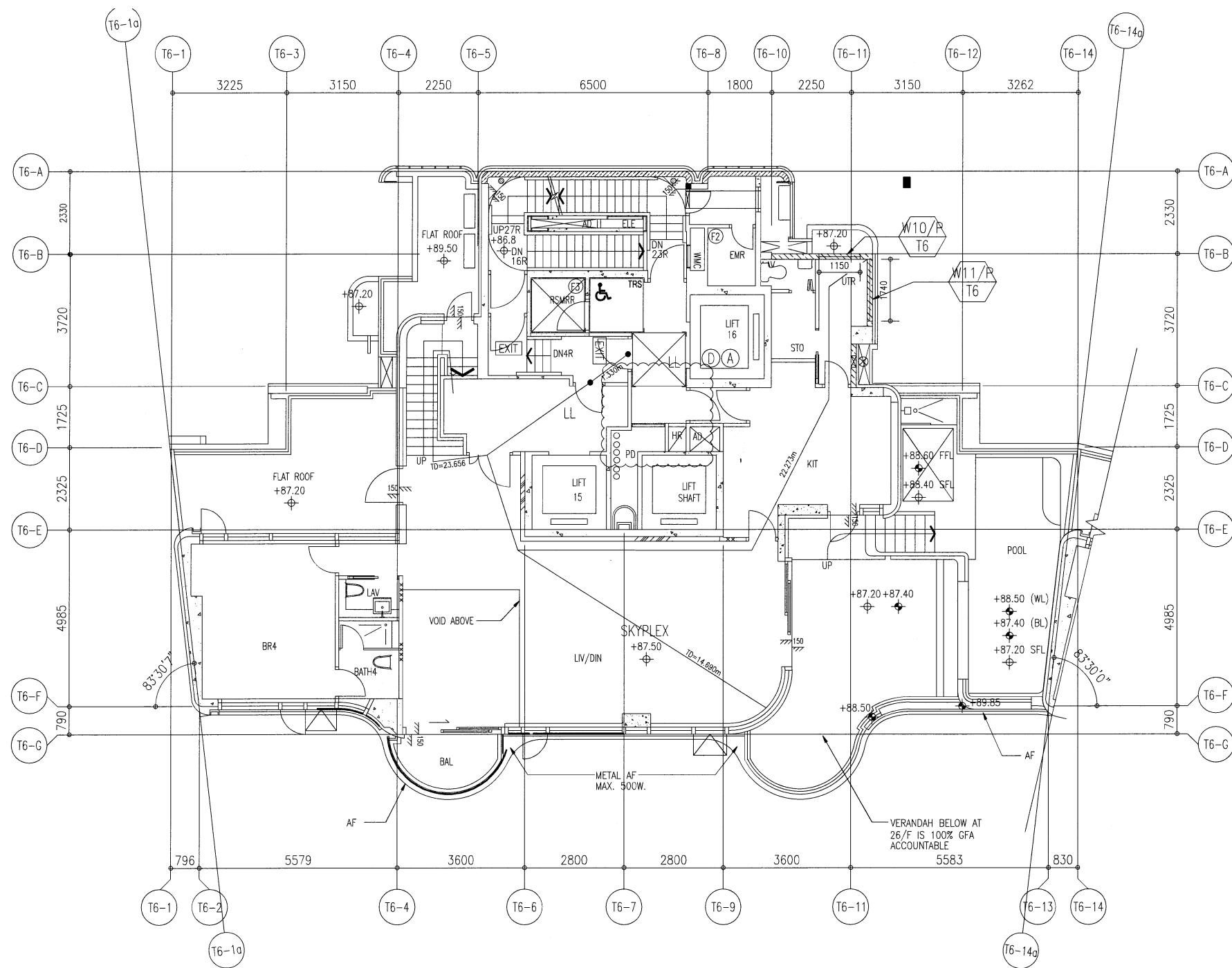
DATE : 17-Nov-21 SCALE : 1:70 (A3)

DRAWN BY : IVAN CHECKED BY :



Units 6-8, Sunray Industrial Centre, 1/F
610 Cha Kwo Ling Road, Kowloon
Tel: 23489211-4 Fax: (852) 27727666

DWG NO. : J859-SD-PL-601 REV. : -



27/F WINDOW LOCATION PLAN
FOR PRECAST FACADE AT TOWER 6

B.D. REF :

ARCHITECT :
WT WONG TUNG & PARTNERS LIMITED
ARCHITECTS & PLANNERS

STRUCTURAL ENGINEER :
SUN HUNG KAI
ARCHITECTS AND ENGINEERS LTD.
SUN HUNG KAI CENTRE, WANCHAI, HONGKONG
TEL. 28278111 FAX. 28272884

FACADE CONSULTANT:
α ALPHA CONSULTING LIMITED
Steel Structure & Facade Specialist

MAIN CONTRACTOR :
Sanfield Engineering Construction Ltd.

CLIENT :
SUN HUNG KAI
REAL ESTATE AGENCY LTD.
42/F SUN HUNG KAI CENTRE, WANCHAI, HONGKONG

NOTE :
1. ALL DIMENSIONS ARE IN mm.
2. ALL ELEVATIONS ARE VIEWED FROM OUTSIDE.
3. ALL DIMENSIONS TO BE VERIFIED ON SITE BEFORE FABRICATION.

LEGEND :
X1 --- DETAIL MARK NO.
X001 --- REFER SHEET NO.
1. F.F.L. --- FINISHED FLOOR LEVEL
2. S.F.L. --- STRUCTURAL FLOOR LEVEL
3. (R) --- REVERSED DETAIL

NO.	DATE	REVISED	BY

JOB NO. : J-859
PROJECT : PROPOSED RESIDENTIAL / COMMERCIAL DEVELOPMENT AT NKIL NO.6551 KAI TAK AREA 4C, SITE 3 KAI TAK, KOWLOON

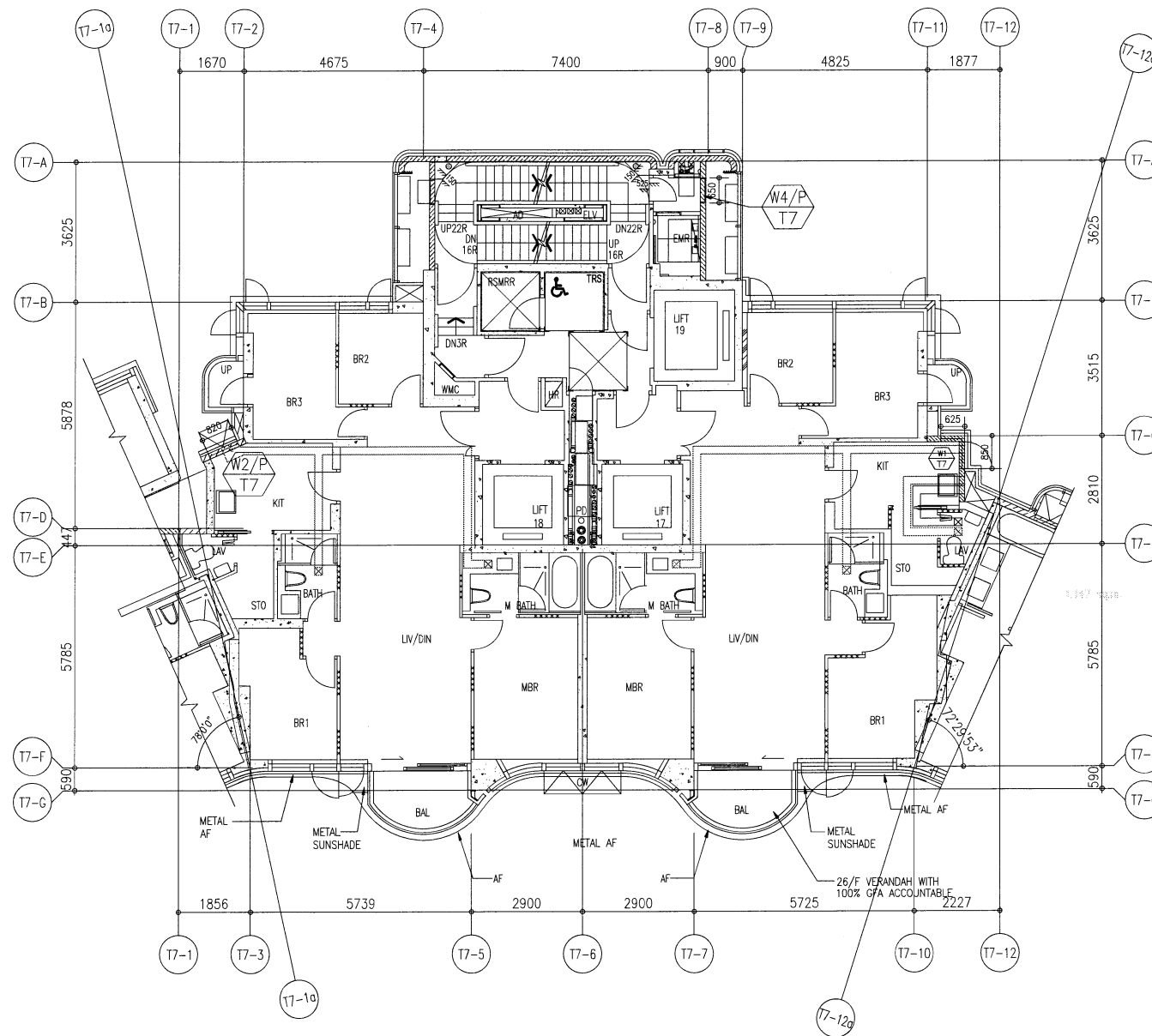
TITLE : 27/F WINDOW LOCATION PLAN FOR PRECAST FACADE AT TOWER 6

DATE : 17-Nov-21 SCALE : 1:60 (A3)

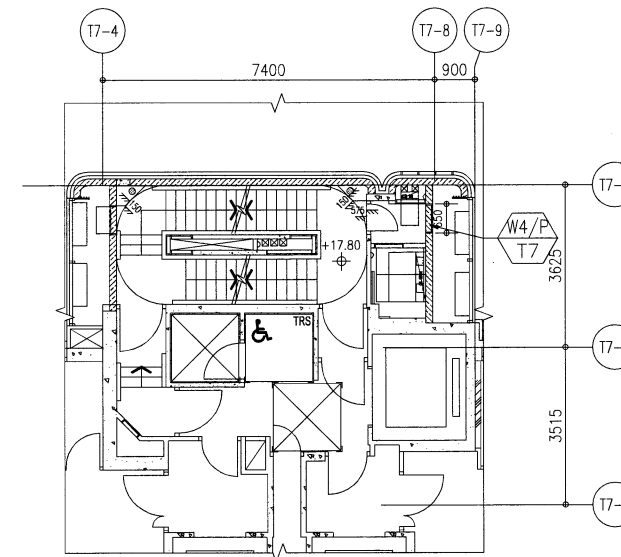
DRAWN BY : IVAN CHECKED BY :

美特鋁質有限公司
MIDI ALUMINIUM FABRICATOR LTD.
Units 6-8, Sunray Industrial Centre, 1/F
610 Cha Kwo Ling Road, Kowloon
Tel:23489211-4 Fax:(852)2727666

DWG NO. : J859-SD-PL-602 REV. : -



2/F TO 26/F WINDOW LOCATION PLAN FOR PRECAST FACADE
AT TOWER 7 (21 STOREYS, 4/F,13/F,14/F,24/F OMITTED)



2/F PART PLAN OF TOWER 7

B.D. REF :

ARCHITECT :



STRUCTURAL ENGINEER :



SUN HUNG KAI CENTRE, WANCHAI, HONGKONG
TEL. 28278111 FAX. 28272864

FACADE CONSULTANT :



MAIN CONTRACTOR :

Sanfield Engineering
Construction Ltd.

CLIENT :



NOTE :

1. ALL DIMENSIONS ARE IN mm.
2. ALL ELEVATIONS ARE VIEWED FROM OUTSIDE.
3. ALL DIMENSIONS TO BE VERIFIED ON SITE BEFORE FABRICATION.

LEGEND :

- X1 --- DETAIL MARK NO.
- X001 --- REFER SHEET NO.

1. F.F.L. --- FINISHED FLOOR LEVEL
2. S.F.L. --- STRUCTURAL FLOOR LEVEL
3. (R) --- REVERSED DETAIL

NO.	DATE	REVISED	BY

JOB NO. : J-859

PROJECT :
PROPOSED RESIDENTIAL / COMMERCIAL
DEVELOPMENT AT NKIL NO.6551 KAI
TAK AREA 4C, SITE 3
KAI TAK, KOWLOON

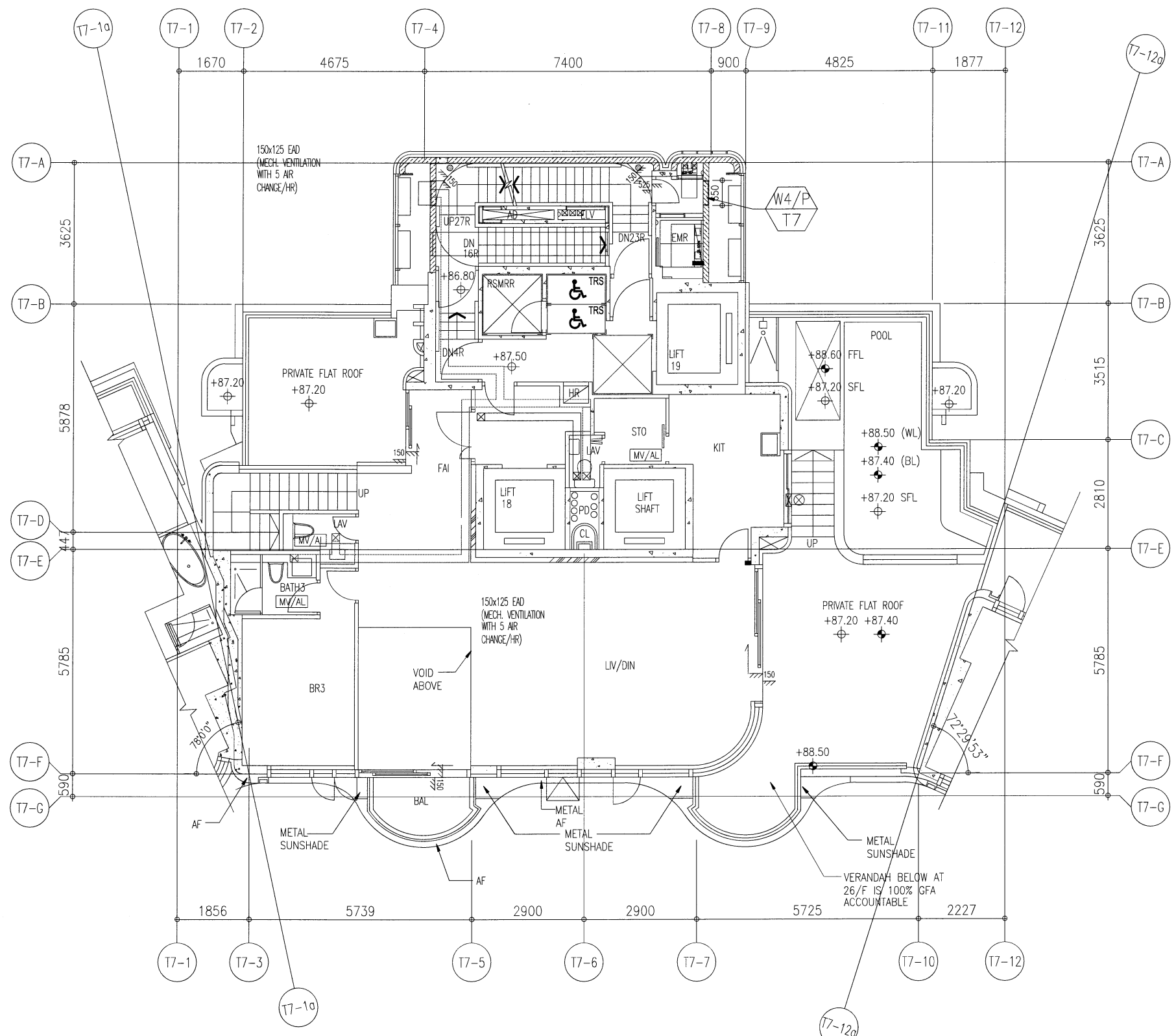
TITLE :
2~26/F WINDOW LOCATION PLAN
FOR PRECAST FACADE
AT TOWER 7

DATE : 14-Nov-21 SCALE : 1:80 (A3)

DRAWN BY : IVAN CHECKED BY :

美特鋁質有限公司
MIDI ALUMINIUM FABRICATOR LTD.
Units 6-8, Sunray Industrial Centre, 1/F
610 Cha Kwo Ling Road, Kowloon
Tel:23489211-4 Fax:(852)27727666

DWG NO. : J859-SD-PL-701 REV. : -



27/F WINDOW LOCATION PLAN
FOR PRECAST FACADE AT TOWER 7

B.D. REF :

ARCHITECT :
WT WONG TUNG & PARTNERS LIMITED
ARCHITECTS & PLANNERS

STRUCTURAL ENGINEER :
SUN HUNG KAI
ARCHITECTS AND ENGINEERS LTD.
SUN HUNG KAI CENTRE, WANCHAI, HONGKONG
TEL: 28278111 FAX: 28272884

FACADE CONSULTANT:
α ALPHA CONSULTING LIMITED
Steel Structure & Facade Specialist

MAIN CONTRACTOR :
Sanfield Engineering Construction Ltd.

CLIENT :
SUN HUNG KAI
REAL ESTATE AGENCY LTD.
42/F SUN HUNG KAI CENTRE, WANCHAI, HONGKONG

NOTE :
1. ALL DIMENSIONS ARE IN mm.
2. ALL ELEVATIONS ARE VIEWED FROM OUTSIDE.
3. ALL DIMENSIONS TO BE VERIFIED ON SITE BEFORE FABRICATION.

LEGEND :
X1 --- DETAIL MARK NO.
X001 --- REFER SHEET NO.
1. F.F.L. --- FINISHED FLOOR LEVEL
2. S.F.L. --- STRUCTURAL FLOOR LEVEL
3. /R --- REVERSED DETAIL

NO.	DATE	REVISED	BY

JOB NO. : J-859
PROJECT : PROPOSED RESIDENTIAL / COMMERCIAL DEVELOPMENT AT NKIL NO.6551 KAI TAK AREA 4C, SITE 3 KAI TAK, KOWLOON

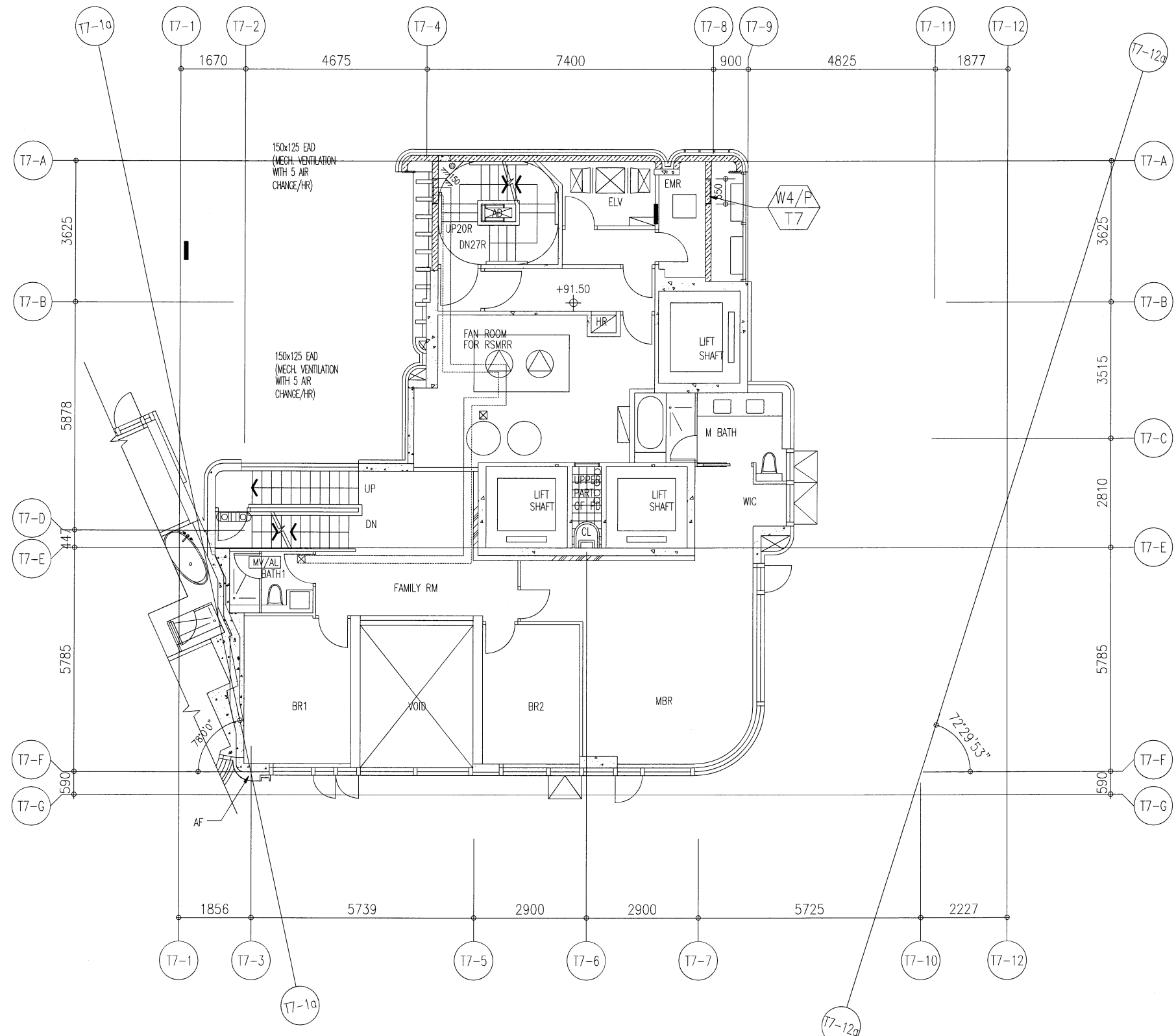
TITLE : 27/F WINDOW LOCATION PLAN FOR PRECAST FACADE AT TOWER 7

DATE : 14-Nov-21 SCALE : 1:60 (A3)

DRAWN BY : IVAN CHECKED BY :

美特鋁質有限公司
MIDI ALUMINIUM FABRICATOR LTD.
Units 6-8, Sunray Industrial Centre, 1/F
610 Cha Kwo Ling Road, Kowloon
Tel:23489211-4 Fax:(852)2727666

DWG NO. : J859-SD-PL-702 REV. : -



28/F WINDOW LOCATION PLAN
FOR PRECAST FACADE AT TOWER 7

B.D. REF :

ARCHITECT :
WT WONG TUNG & PARTNERS LIMITED
ARCHITECTS & PLANNERS

STRUCTURAL ENGINEER :
SUN HUNG KAI
ARCHITECTS AND ENGINEERS LTD.
SUN HUNG KAI CENTRE, WANCHAI, HONGKONG
TEL: 28278111 FAX: 28272884

FACADE CONSULTANT:
α ALPHA CONSULTING LIMITED
Steel Structure & Facade Specialist

MAIN CONTRACTOR :
Sanfield Engineering Construction Ltd.

CLIENT :
SUN HUNG KAI
REAL ESTATE AGENCY LTD.
42/F SUN HUNG KAI CENTRE, WANCHAI, HONGKONG

NOTE:
1. ALL DIMENSIONS ARE IN mm.
2. ALL ELEVATIONS ARE VIEWED FROM OUTSIDE.
3. ALL DIMENSIONS TO BE VERIFIED ON SITE BEFORE FABRICATION.

LEGEND:
X1 --- DETAIL MARK NO.
X001 --- REFER SHEET NO.
1. F.F.L. --- FINISHED FLOOR LEVEL
2. S.F.L. --- STRUCTURAL FLOOR LEVEL
3. (R) --- REVERSED DETAIL

NO.	DATE	REVISED	BY

JOB NO. : J-859

PROJECT :
PROPOSED RESIDENTIAL / COMMERCIAL
DEVELOPMENT AT NKIL NO.6551 KAI
TAK AREA 4C, SITE 3
KAI TAK, KOWLOON

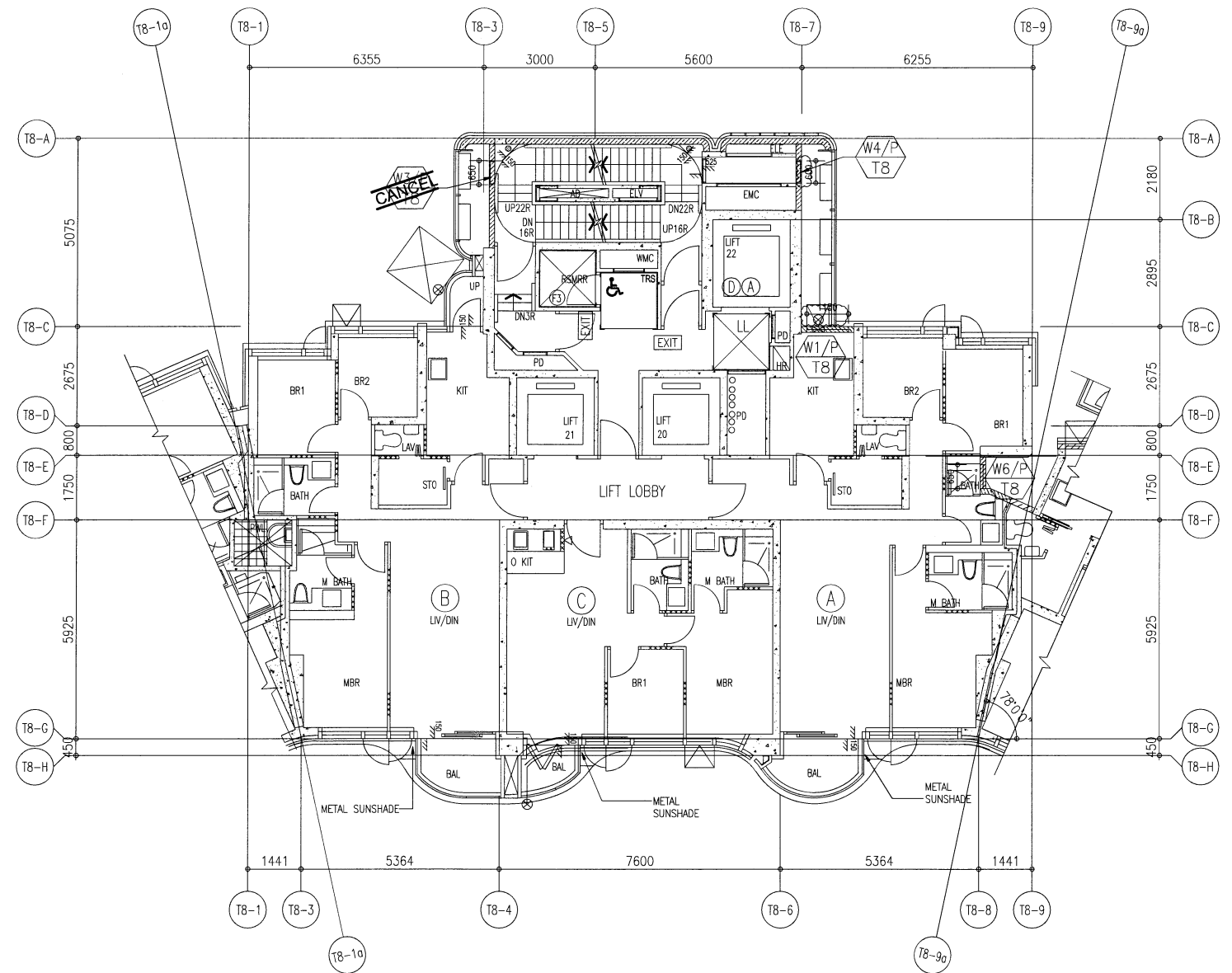
TITLE :
28/F WINDOW LOCATION PLAN
FOR PRECAST FACADE
AT TOWER 7

DATE : 14-Nov-21 SCALE : 1:60 (A3)

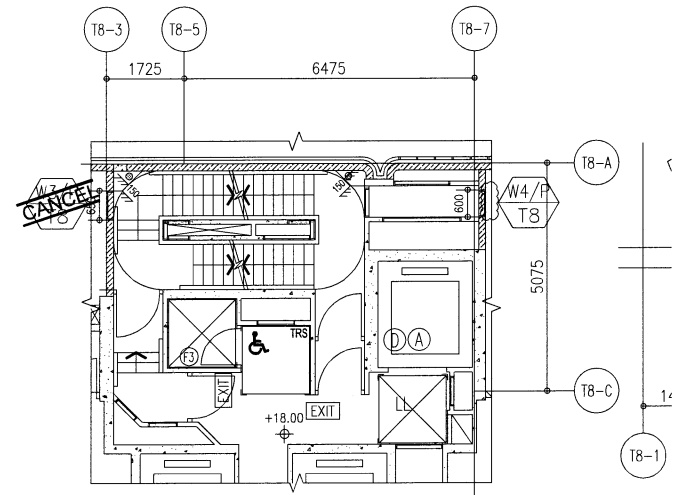
DRAWN BY : IVAN CHECKED BY :

MIDI 美特鋁質有限公司
ALUMINIUM FABRICATOR LTD.
Units 6-8, Sunray Industrial Centre, 1/F
610 Cha Kwo Ling Road, Kowloon
Tel: 23489211-4 Fax: (852) 2727666

DWG NO. : J859-SD-PL-703 REV. : -



2/F TO 8/F WINDOW LOCATION PLAN FOR PRECAST FACADE
AT TOWER 8 (6 STOREYS, 4/F OMITTED)



2/F PART PLAN OF TOWER 8

B.D. REF :

ARCHITECT :



STRUCTURAL ENGINEER :



SUN HUNG KAI CENTRE, WANCHAI, HONGKONG
TEL. 28278111 FAX. 28272884

FACADE CONSULTANT :



MAIN CONTRACTOR :

Sanfield Engineering Construction Ltd.

CLIENT :



42/F SUN HUNG KAI CENTRE, WANCHAI, HONGKONG

NOTE :

1. ALL DIMENSIONS ARE IN mm.
2. ALL ELEVATIONS ARE VIEWED FROM OUTSIDE.
3. ALL DIMENSIONS TO BE VERIFIED ON SITE BEFORE FABRICATION.

LEGEND :

- X1 --- DETAIL MARK NO.
- X001 --- REFER SHEET NO.

1. F.F.L. --- FINISHED FLOOR LEVEL
2. S.F.L. --- STRUCTURAL FLOOR LEVEL
3. (R) --- REVERSED DETAIL

NO.	DATE	REVISED	BY

JOB NO. : J-859

PROJECT :
PROPOSED RESIDENTIAL / COMMERCIAL
DEVELOPMENT AT NKIL NO.6551 KAI
TAK AREA 4C, SITE 3
KAI TAK, KOWLOON

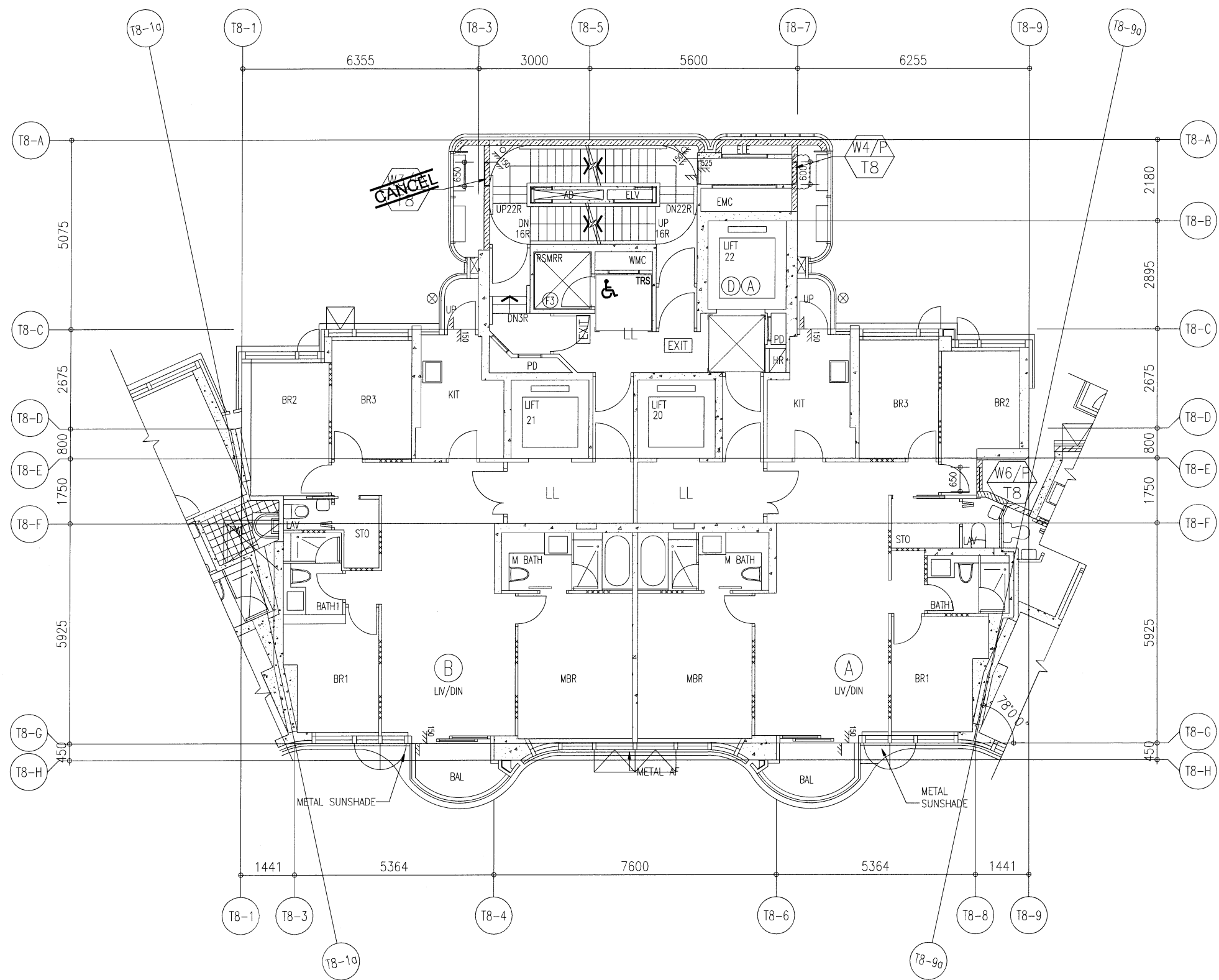
TITLE :
2~8/F WINDOW LOCATION PLAN
FOR PRECAST FACADE
AT TOWER 8

DATE : 14-Nov-21 SCALE : 1:80 (A3)

DRAWN BY : IVAN CHECKED BY :

美特鋁質有限公司
MIDI ALUMINIUM FABRICATOR LTD.
Units 6-8, Sunray Industrial Centre, 1/F
610 Cha Kwo Ling Road, Kowloon
Tel:23489211-4 Fax:(852)2727666

DWG NO. : J859-SD-PL-801 REV. : -



9/F TO 26/F WINDOW LOCATION PLAN FOR PRECAST FACADE
AT TOWER 8 (15 STOREYS, 13/F,14/F,24/F OMITTED)

B.D. REF :

ARCHITECT :



STRUCTURAL ENGINEER :



SUN HUNG KAI CENTRE, WANCHAI, HONGKONG
TEL. 28278111 FAX. 28272884

FACADE CONSULTANT :



MAIN CONTRACTOR :

Sanfield Engineering Construction Ltd.

CLIENT :



42/F SUN HUNG KAI CENTRE, WANCHAI, HONGKONG

NOTE :

1. ALL DIMENSIONS ARE IN mm.
2. ALL ELEVATIONS ARE VIEWED FROM OUTSIDE.
3. ALL DIMENSIONS TO BE VERIFIED ON SITE BEFORE FABRICATION.

LEGEND :

- X1 --- DETAIL MARK NO.
- X001 --- REFER SHEET NO.

1. F.F.L. --- FINISHED FLOOR LEVEL
2. S.F.L. --- STRUCTURAL FLOOR LEVEL
3. (R) --- REVERSED DETAIL

NO.	DATE	REVISED	BY

JOB NO. : J-859

PROJECT :
PROPOSED RESIDENTIAL / COMMERCIAL
DEVELOPMENT AT NKIL NO.6551 KAI
TAK AREA 4C, SITE 3
KAI TAK, KOWLOON

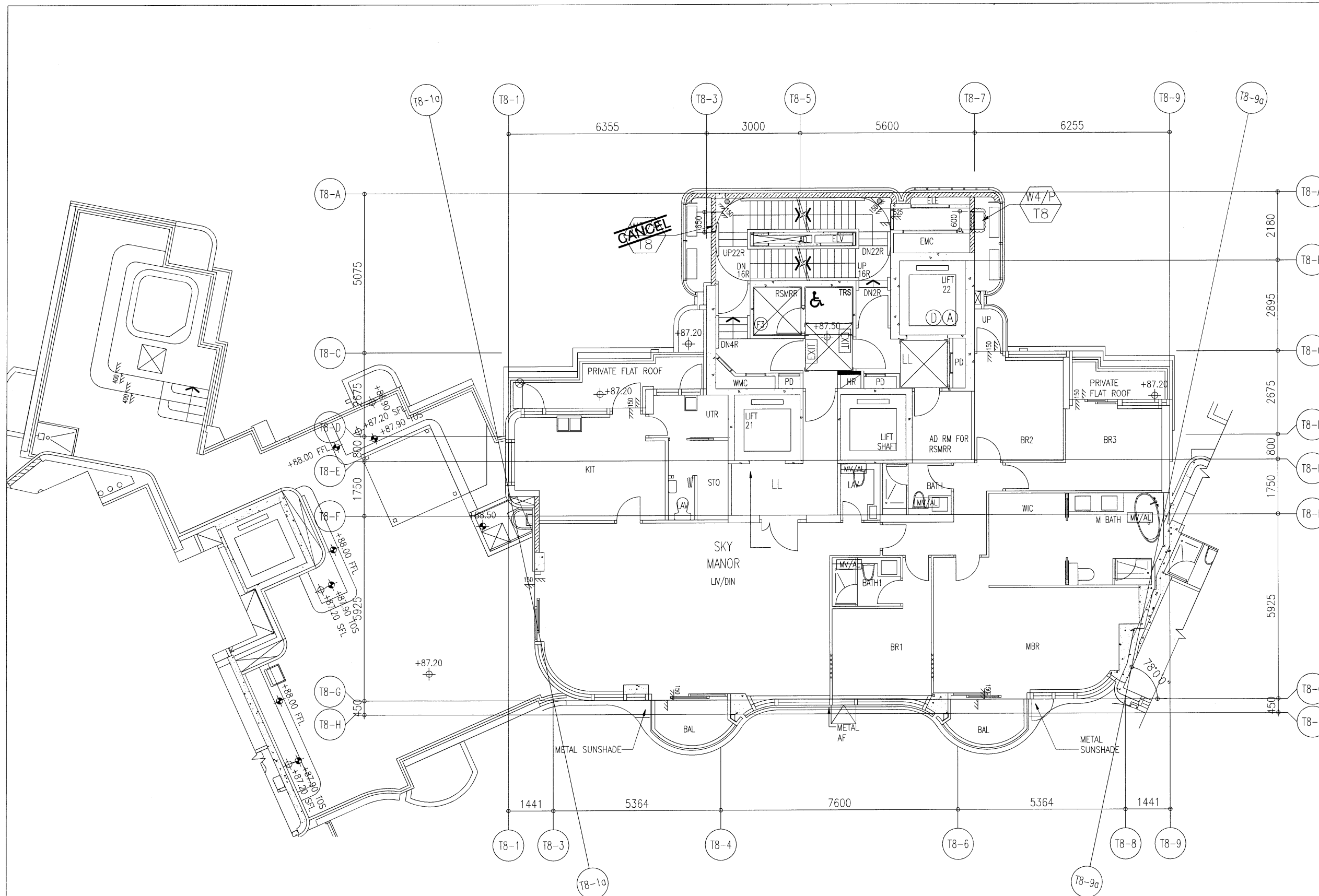
TITLE :
9~26/F WINDOW LOCATION PLAN
FOR PRECAST FACADE
AT TOWER 8

DATE : 14-Nov-21 SCALE : 1:60 (A3)

DRAWN BY : IVAN CHECKED BY :

美特鋁質有限公司
MIDI ALUMINIUM FABRICATOR LTD.
Units 6-8, Sunray Industrial Centre, 1/F
610 Cha Kwo Ling Road, Kowloon
Tel:23489211-4 Fax:(852)2727666

DWG NO. : J859-SD-PL-802 REV. : -



27/F WINDOW LOCATION PLAN
FOR PRECAST FACADE AT TOWER 8

B.D. REF :

ARCHITECT :
WT WONG TUNG & PARTNERS LIMITED
 ARCHITECTS & PLANNERS

STRUCTURAL ENGINEER :
SUN HUNG KAI
 ARCHITECTS AND ENGINEERS LTD.
 SUN HUNG KAI CENTRE, WANCHAI, HONGKONG
 TEL: 28278111 FAX: 28272884

FACADE CONSULTANT:
α ALPHA CONSULTING LIMITED
 Steel Structure & Facade Specialist

MAIN CONTRACTOR :
Sanfield Engineering Construction Ltd.

CLIENT :
SUN HUNG KAI
 REAL ESTATE AGENCY LTD.
 42/F SUN HUNG KAI CENTRE, WANCHAI, HONGKONG

NOTE :

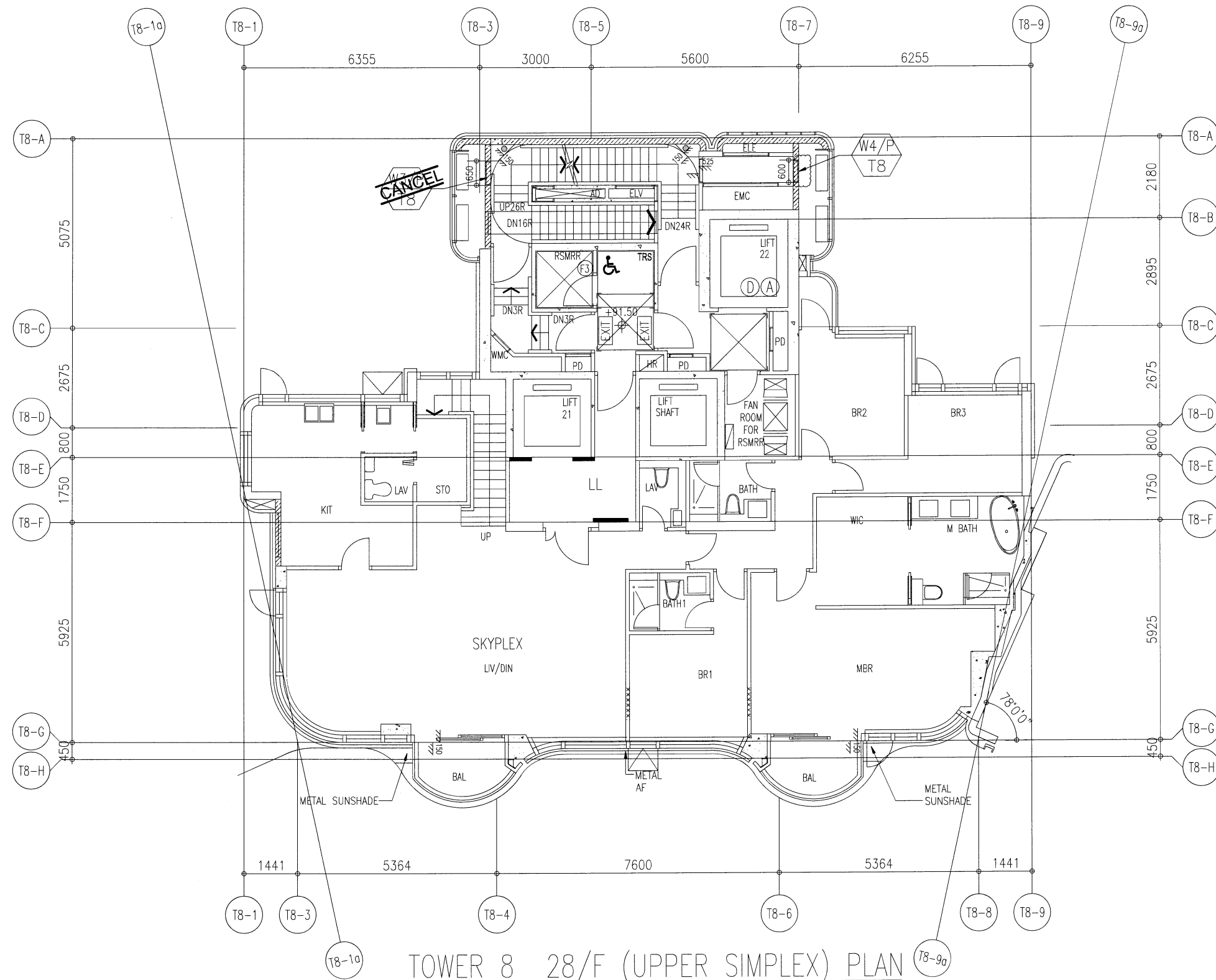
1. ALL DIMENSIONS ARE IN mm.
2. ALL ELEVATIONS ARE VIEWED FROM OUTSIDE.
3. ALL DIMENSIONS TO BE VERIFIED ON SITE BEFORE FABRICATION.

LEGEND :

X1 --- DETAIL MARK NO.
 X001 --- REFER SHEET NO.

1. F.F.L. --- FINISHED FLOOR LEVEL
2. S.F.L. --- STRUCTURAL FLOOR LEVEL
3. (R) --- REVERSED DETAIL

NO.	DATE	REVISED	BY
JOB NO. : J-859			
PROJECT : PROPOSED RESIDENTIAL / COMMERCIAL DEVELOPMENT AT NKIL NO.6551 KAI TAK AREA 4C, SITE 3 KAI TAK, KOWLOON			
TITLE : 27/F WINDOW LOCATION PLAN FOR PRECAST FACADE AT TOWER 8			
DATE : 14-Nov-21	SCALE : 1:60 (A3)		
DRAWN BY : IVAN	CHECKED BY :		
美特鋁質有限公司 MIDI ALUMINIUM FABRICATOR LTD. Units 6-8, Sunray Industrial Centre, 1/F 610 Cha Kwo Ling Road, Kowloon Tel:23489211-4 Fax:(852)2727666			
DWG NO. : J859-SD-PL-803	REV. : -		



TOWER 8 28/F (UPPER SIMPLEX) PLAN
 28/F WINDOW LOCATION PLAN
 FOR PRECAST FACADE AT TOWER 8

B.D. REF :

ARCHITECT :
WT WONG TUNG & PARTNERS LIMITED
 ARCHITECTS & PLANNERS

STRUCTURAL ENGINEER :
SK SUN HUNG KAI
 ARCHITECTS AND ENGINEERS LTD.
 SUN HUNG KAI CENTRE, WANCHAI, HONGKONG
 TEL. 28278111 FAX. 28272884

FACADE CONSULTANT:
α ALPHA CONSULTING LIMITED
 Steel Structure & Facade Specialist

MAIN CONTRACTOR :
Sanfield Engineering Construction Ltd.

CLIENT :
S SUN HUNG KAI
 REAL ESTATE AGENCY LTD.
 42/F SUN HUNG KAI CENTRE, WANCHAI, HONGKONG

NOTE :
 1. ALL DIMENSIONS ARE IN mm.
 2. ALL ELEVATIONS ARE VIEWED FROM OUTSIDE.
 3. ALL DIMENSIONS TO BE VERIFIED ON SITE BEFORE FABRICATION.

LEGEND :
 (X1) --- DETAIL MARK NO.
 (X00) --- REFER SHEET NO.
 1. F.F.L. --- FINISHED FLOOR LEVEL
 2. S.F.L. --- STRUCTURAL FLOOR LEVEL
 3. (R) --- REVERSED DETAIL

NO.	DATE	REVISED	BY

JOB NO. : J-859
 PROJECT : PROPOSED RESIDENTIAL / COMMERCIAL DEVELOPMENT AT NKIL NO.6551 KAI TAK AREA 4C, SITE 3 KAI TAK, KOWLOON

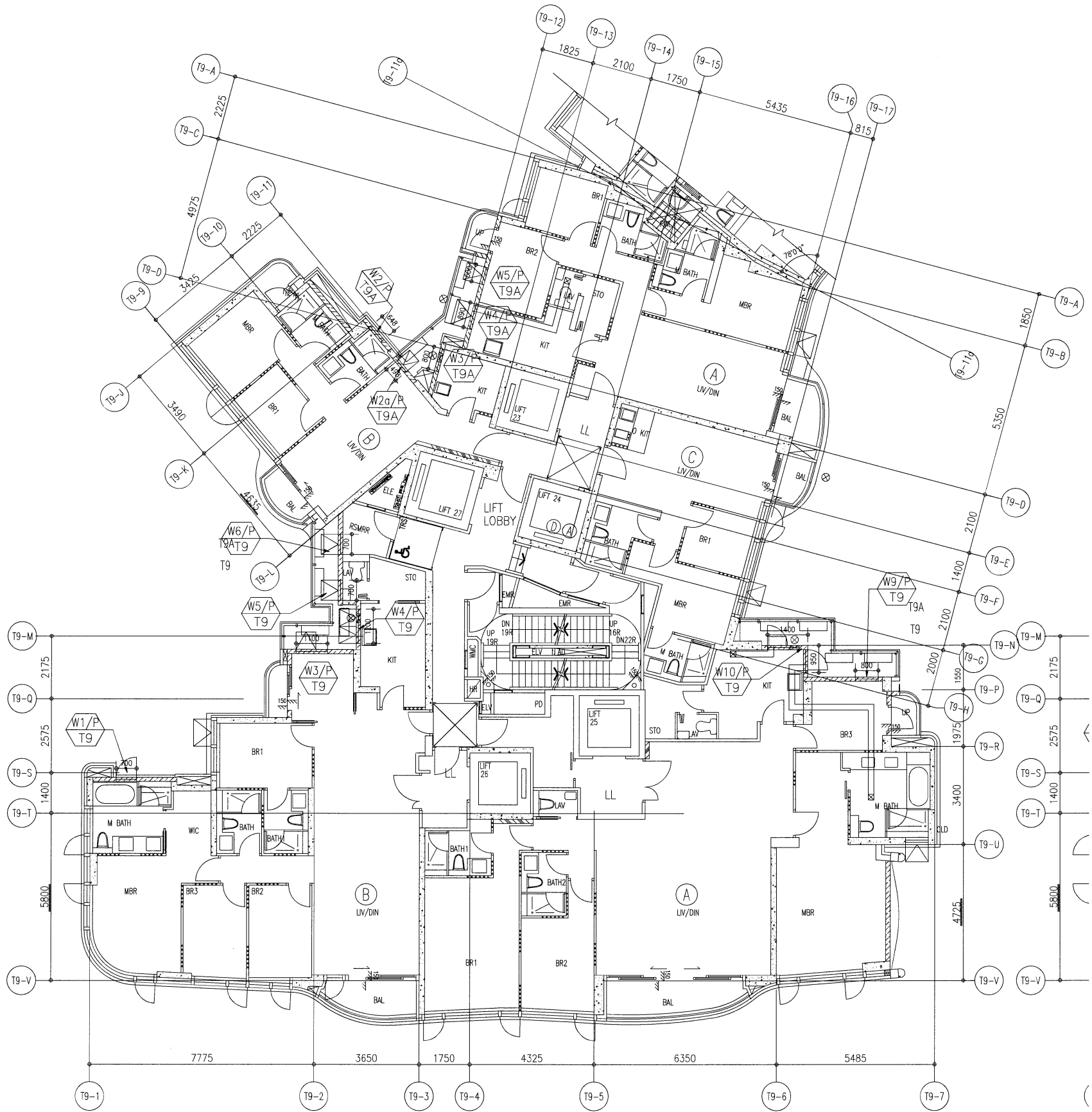
TITLE : 28/F WINDOW LOCATION PLAN FOR PRECAST FACADE AT TOWER 8

DATE : 14-Nov-21 SCALE : 1:60 (A3)

DRAWN BY : IVAN CHECKED BY :

美特鋁質有限公司
MIDI ALUMINIUM FABRICATOR LTD.
 Units 6-8, Sunray Industrial Centre, 1/F
 610 Cha Kwo Ling Road, Kowloon
 Tel:23489211-4 Fax:(852)27727666

DWG NO. : J859-SD-PL-804 REV. : -



2/F TO 8/F WINDOW LOCATION PLAN FOR PRECAST FACADE
AT TOWER 9 / 9A (6 STOREYS, 4/F OMITTED)

B.D. REF :

ARCHITECT :
WT WONG TUNG & PARTNERS LIMITED
ARCHITECTS & PLANNERS

STRUCTURAL ENGINEER :
SK SUN HUNG KAI
ARCHITECTS AND ENGINEERS LTD.
SUN HUNG KAI CENTRE, WANCHAI, HONGKONG
TEL: 28278111 FAX: 28272884

FACADE CONSULTANT:
α ALPHA CONSULTING LIMITED
Steel Structure & Facade Specialist

MAIN CONTRACTOR :
Sanfield Engineering Construction Ltd.

CLIENT :
SK SUN HUNG KAI
REAL ESTATE AGENCY LTD.
42/F SUN HUNG KAI CENTRE, WANCHAI, HONGKONG

NOTE :
1. ALL DIMENSIONS ARE IN mm.
2. ALL ELEVATIONS ARE VIEWED FROM OUTSIDE.
3. ALL DIMENSIONS TO BE VERIFIED ON SITE BEFORE FABRICATION.

LEGEND :
X1 --- DETAIL MARK NO.
X001 --- REFER SHEET NO.
1. F.F.L. --- FINISHED FLOOR LEVEL
2. S.F.L. --- STRUCTURAL FLOOR LEVEL
3. (R) --- REVERSED DETAIL

NO.	DATE	REVISED	BY

JOB NO. : J-859

PROJECT :
PROPOSED RESIDENTIAL / COMMERCIAL
DEVELOPMENT AT NKIL NO.6551 KAI
TAK AREA 4C, SITE 3
KAI TAK, KOWLOON

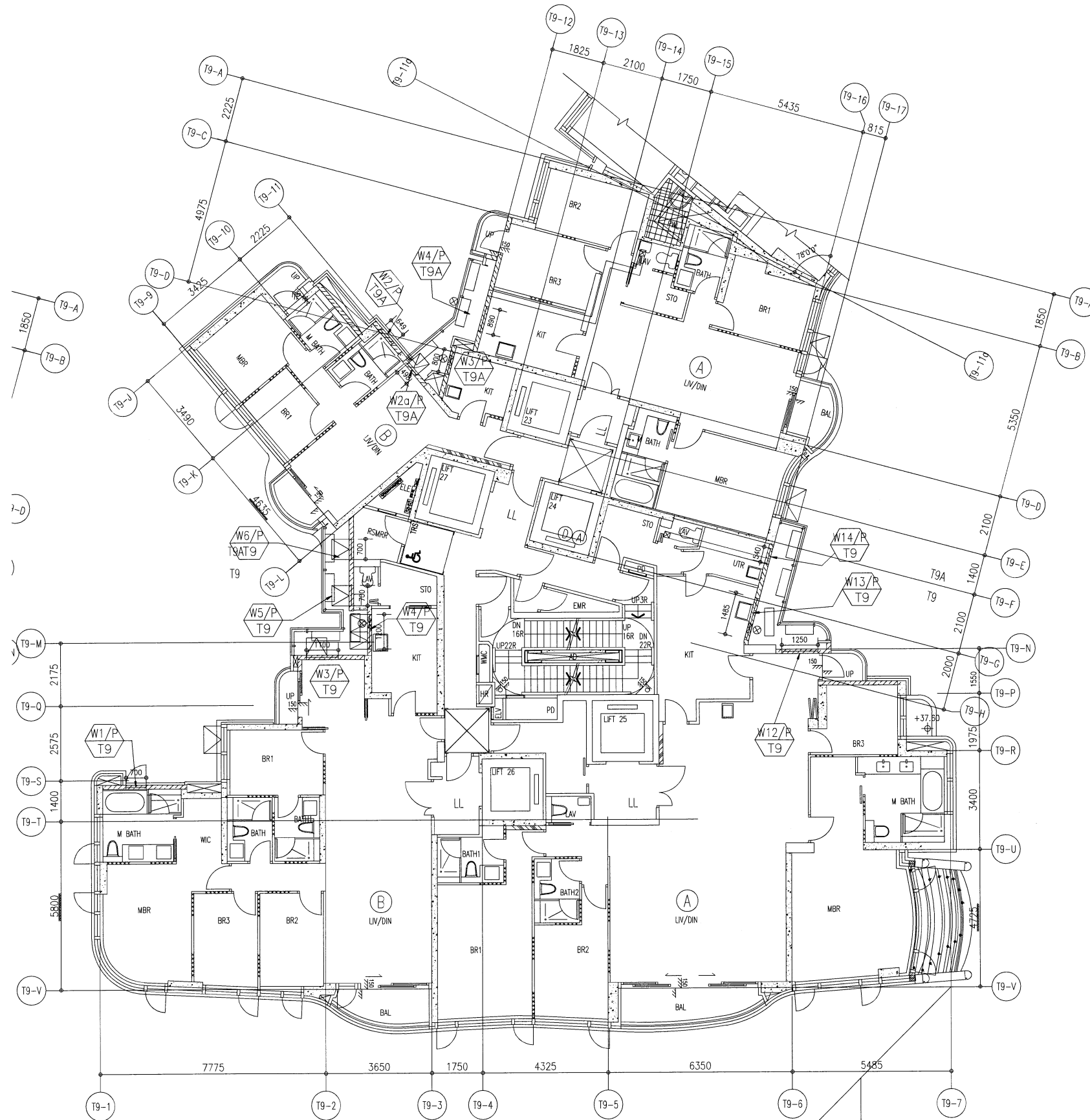
TITLE :
2~8/F WINDOW LOCATION PLAN
FOR PRECAST FACADE
AT TOWER 9 / 9A

DATE : 14-Nov-21 SCALE : 1:80 (A3)

DRAWN BY : IVAN CHECKED BY :

美特鋁質有限公司
MIDI ALUMINIUM FABRICATOR LTD.
Units 6-8, Sunray Industrial Centre, 1/F
610 Cha Kwo Ling Road, Kowloon
Tel: 23489211-4 Fax: (852) 2727666

DWG NO. : J859-SD-PL-901 REV. : -



9/F TO 25/F WINDOW LOCATION PLAN FOR PRECAST FACADE
 AT TOWER 9 /9A (14 STOREYS, 13/F,14/F,24/F OMITTED)

B.D. REF :

ARCHITECT :
WT WONG TUNG & PARTNERS LIMITED
 ARCHITECTS & PLANNERS

STRUCTURAL ENGINEER :
SUN HUNG KAI
 ARCHITECTS AND ENGINEERS LTD.
 SUN HUNG KAI CENTRE, WANCHAI, HONGKONG
 TEL. 28278111 FAX. 28272884

FACADE CONSULTANT:
α ALPHA CONSULTING LIMITED
 Steel Structure & Facade Specialist

MAIN CONTRACTOR :
Sanfield Engineering Construction Ltd.

CLIENT :
SUN HUNG KAI
 REAL ESTATE AGENCY LTD.
 42/F SUN HUNG KAI CENTRE, WANCHAI, HONGKONG

NOTE :
 1. ALL DIMENSIONS ARE IN mm.
 2. ALL ELEVATIONS ARE VIEWED FROM OUTSIDE.
 3. ALL DIMENSIONS TO BE VERIFIED ON SITE BEFORE FABRICATION.

LEGEND :
 X1 --- DETAIL MARK NO.
 X001 --- REFER SHEET NO.
 1. F.F.L. --- FINISHED FLOOR LEVEL
 2. S.F.L. --- STRUCTURAL FLOOR LEVEL
 3. (R) --- REVERSED DETAIL

NO.	DATE	REVISED	BY

JOB NO. : J-859
 PROJECT : PROPOSED RESIDENTIAL / COMMERCIAL DEVELOPMENT AT NKIL NO.6551 KAI TAK AREA 4C, SITE 3 KAI TAK, KOWLOON

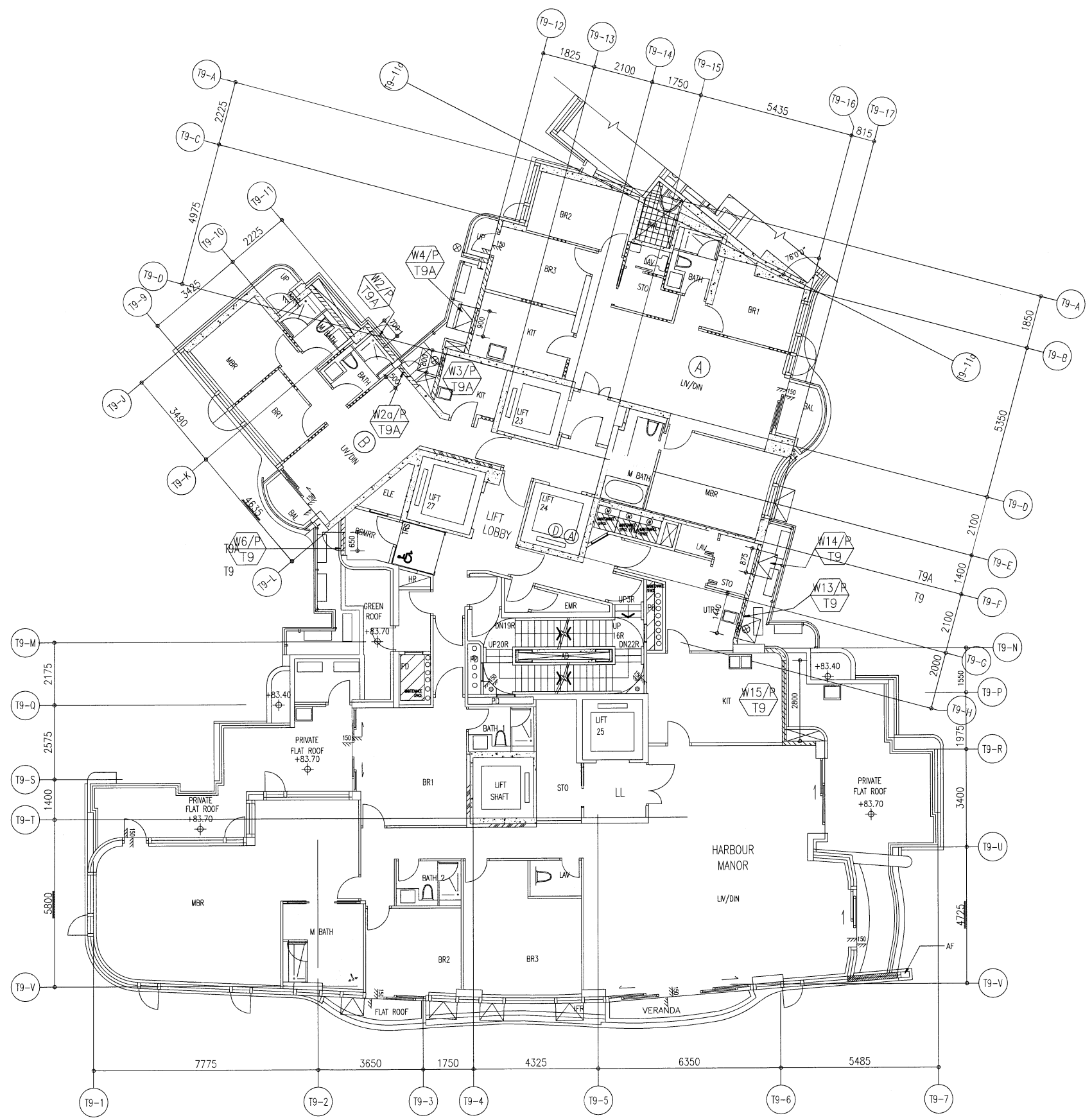
TITLE : 9~25/F WINDOW LOCATION PLAN FOR PRECAST FACADE AT TOWER 9 / 9A

DATE : 14-Nov-21 SCALE : 1:80 (A3)

DRAWN BY : IVAN CHECKED BY :

美特鋁質有限公司
MIDI ALUMINIUM FABRICATOR LTD.
 Units 6-8, Sunray Industrial Centre, 1/F
 610 Cha Kwo Ling Road, Kowloon
 Tel:23489211-4 Fax:(852)2727666

DWG NO. : J859-SD-PL-902 REV. : -



26/F WINDOW LOCATION PLAN FOR
PRECAST FACADE AT TOWER 9 / 9A

B.D. REF :

ARCHITECT :
WT WONG TUNG & PARTNERS LIMITED
ARCHITECTS & PLANNERS

STRUCTURAL ENGINEER :
SK SUN HUNG KAI
ARCHITECTS AND ENGINEERS LTD.
SUN HUNG KAI CENTRE, WANCHAI, HONGKONG
TEL. 28278111 FAX. 28272884

FACADE CONSULTANT:
α ALPHA CONSULTING LIMITED
Steel Structure & Facade Specialist

MAIN CONTRACTOR :
Sanfield Engineering Construction Ltd.

CLIENT :
SK SUN HUNG KAI
REAL ESTATE AGENCY LTD.
42/F SUN HUNG KAI CENTRE, WANCHAI, HONGKONG

NOTE :
1. ALL DIMENSIONS ARE IN mm.
2. ALL ELEVATIONS ARE VIEWED FROM OUTSIDE.
3. ALL DIMENSIONS TO BE VERIFIED ON SITE BEFORE FABRICATION.

LEGEND :
X1 --- DETAIL MARK NO.
X001 --- REFER SHEET NO.
1. F.F.L. --- FINISHED FLOOR LEVEL
2. S.F.L. --- STRUCTURAL FLOOR LEVEL
3. (R) --- REVERSED DETAIL

NO.	DATE	REVISED	BY

JOB NO. : J-859
PROJECT : PROPOSED RESIDENTIAL / COMMERCIAL DEVELOPMENT AT NKIL NO.6551 KAI TAK AREA 4C, SITE 3 KAI TAK, KOWLOON

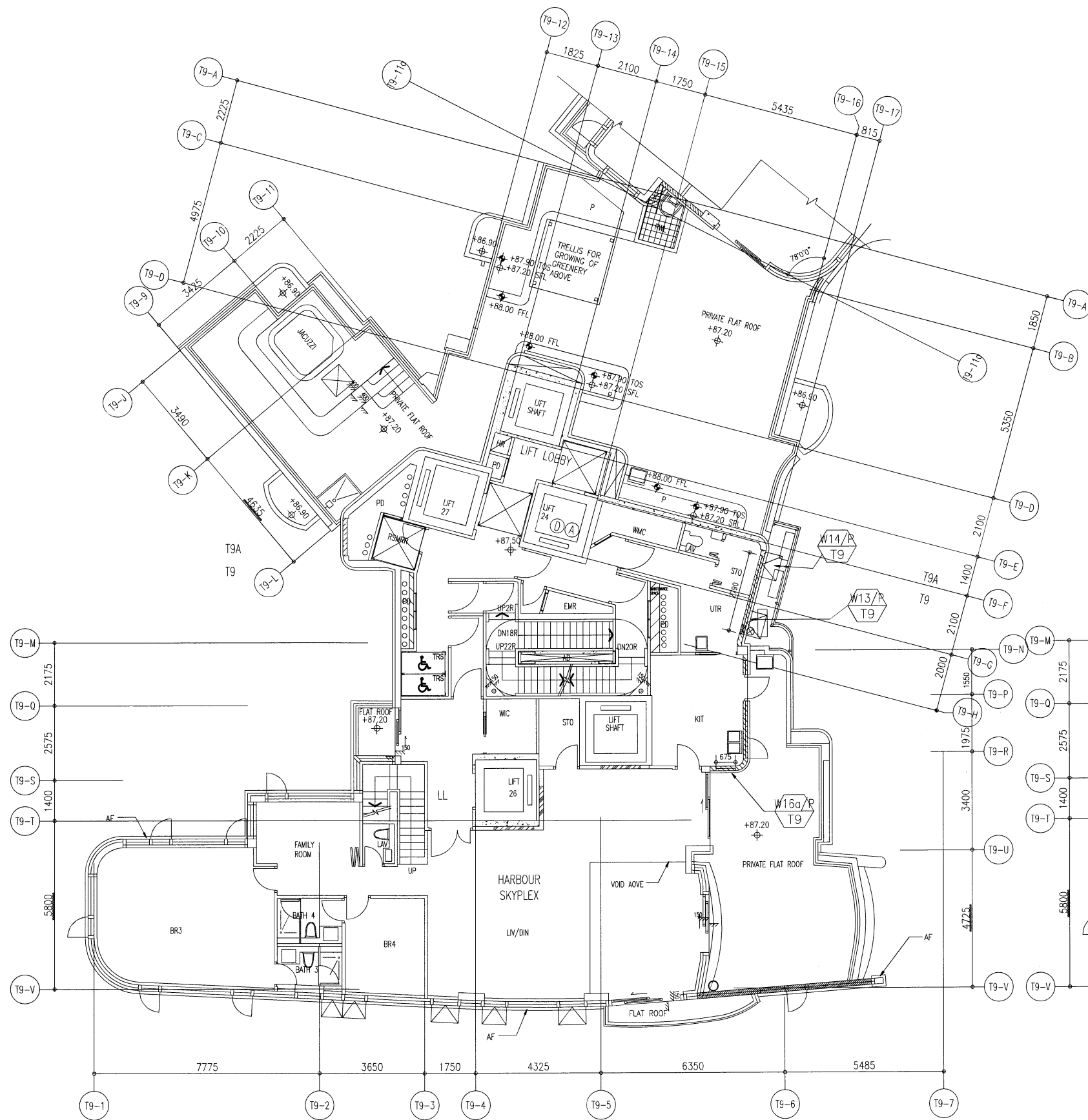
TITLE : 26/F WINDOW LOCATION PLAN FOR PRECAST FACADE AT TOWER 9 / 9A

DATE : 14-Nov-21 SCALE : 1:80 (A3)

DRAWN BY : IVAN CHECKED BY :

MIDI 美特鋁質有限公司
ALUMINIUM FABRICATOR LTD.
Units 6-8, Sunray Industrial Centre, 1/F
610 Cha Kwo Ling Road, Kowloon
Tel:23489211-4 Fax:(852)27727666

DWG NO. : J859-SD-PL-903 REV. : -



27/F WINDOW LOCATION PLAN FOR
PRECAST FACADE AT TOWER 9 / 9A

B.D. REF :

ARCHITECT :



STRUCTURAL ENGINEER :



SUN HUNG KAI CENTRE, WANCHAI, HONGKONG
TEL. 28278111 FAX. 28272884

FACADE CONSULTANT:



MAIN CONTRACTOR :

Sanfield Engineering
Construction Ltd.

CLIENT :



NOTE :

1. ALL DIMENSIONS ARE IN mm.
2. ALL ELEVATIONS ARE VIEWED FROM OUTSIDE.
3. ALL DIMENSIONS TO BE VERIFIED ON SITE BEFORE FABRICATION.

LEGEND :

- X1 --- DETAIL MARK NO.
- X001 --- REFER SHEET NO.

1. F.F.L. --- FINISHED FLOOR LEVEL
2. S.F.L. --- STRUCTURAL FLOOR LEVEL
3. (R) --- REVERSED DETAIL

NO.	DATE	REVISED	BY
-----	------	---------	----

JOB NO. : J-859

PROJECT :
PROPOSED RESIDENTIAL / COMMERCIAL
DEVELOPMENT AT NKIL NO.6551 KAI
TAK AREA 4C, SITE 3
KAI TAK, KOWLOON

TITLE :
27/F WINDOW LOCATION PLAN
FOR PRECAST FACADE
AT TOWER 9 / 9A

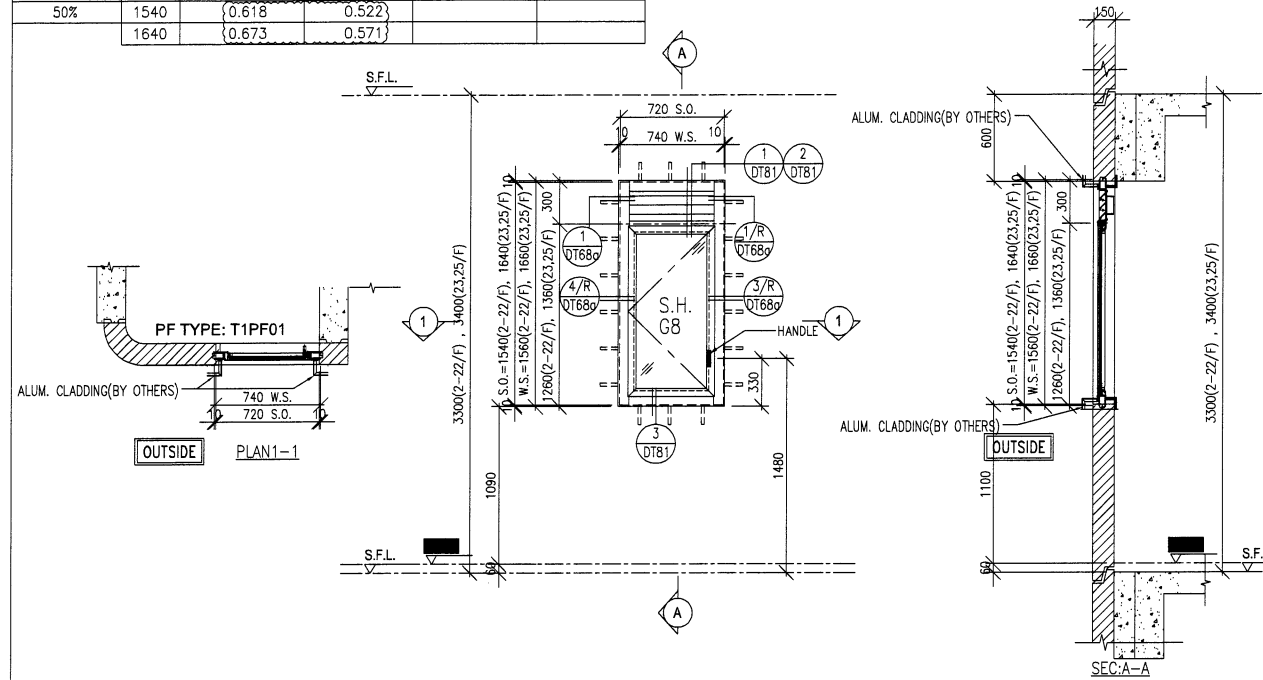
DATE : 14-Nov-21 SCALE : 1:80 (A3)

DRAWN BY : IVAN CHECKED BY :

美特鋁質有限公司
MIDI ALUMINIUM FABRICATOR LTD.
Units 6-8, Sunray Industrial Centre, 1/F
610 Cha Kwo Ling Road, Kowloon
Tel:23489211-4 Fax:(852)2727666

DWG NO. : J859-SD-PL-904 REV. : -

FREE AREA(%)	PROVIDED		REQUIRE		
	S.O.	OPENABLE AREA	GLAZING AREA	OPENABLE AREA	GLAZING AREA
50%	1540	{0.618}	{0.522}		
1640		{0.673}	{0.571}		



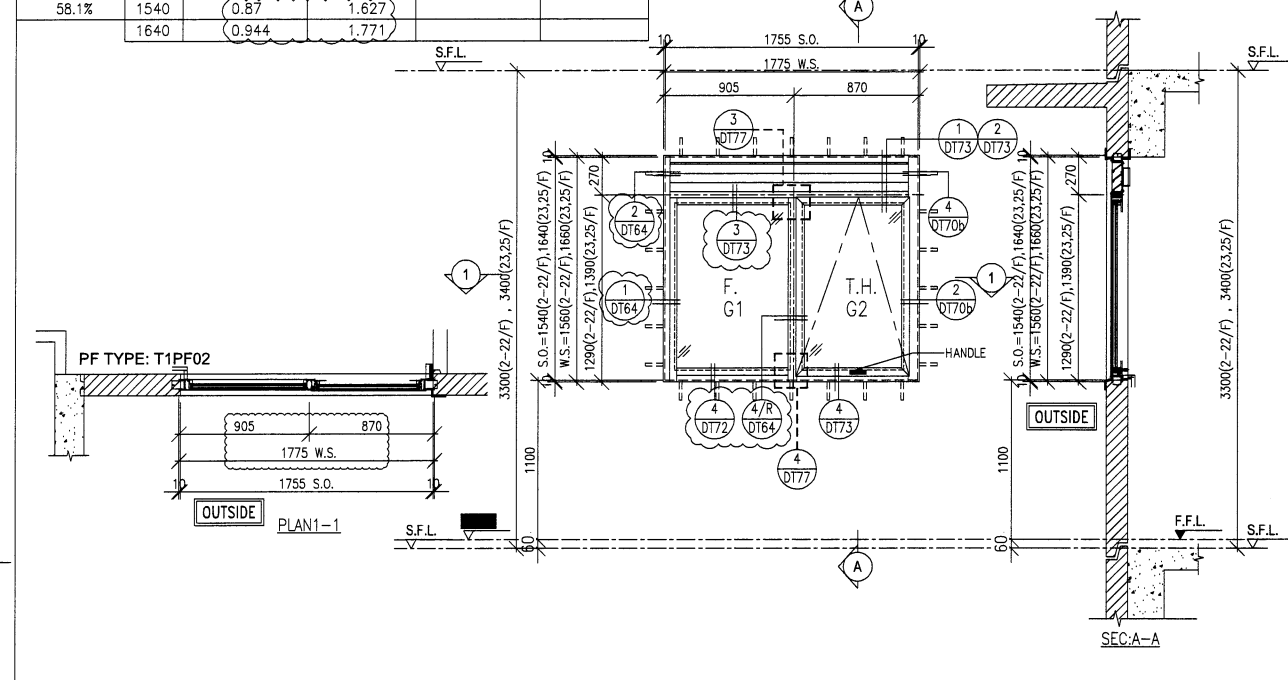
WINDOW MARK	$\frac{W1/P}{T1}$	2/F-22/F	23/F,25/F
		18 nos.	2 nos.

LOCATION: FLAT A LAV AT 2/F TO 25/F FLOOR (T1)
(4,13,14,24/F OMITTED)

GLAZING: G8

WINDOW FRAME: 50mm ALUM. WINDOW SECTION

FREE AREA(%)	PROVIDED		REQUIRE		
	S.O.	OPENABLE AREA	GLAZING AREA	OPENABLE AREA	GLAZING AREA
58.1%	1540	{0.87}	{1.627}		
1640		{0.944}	{1.771}		



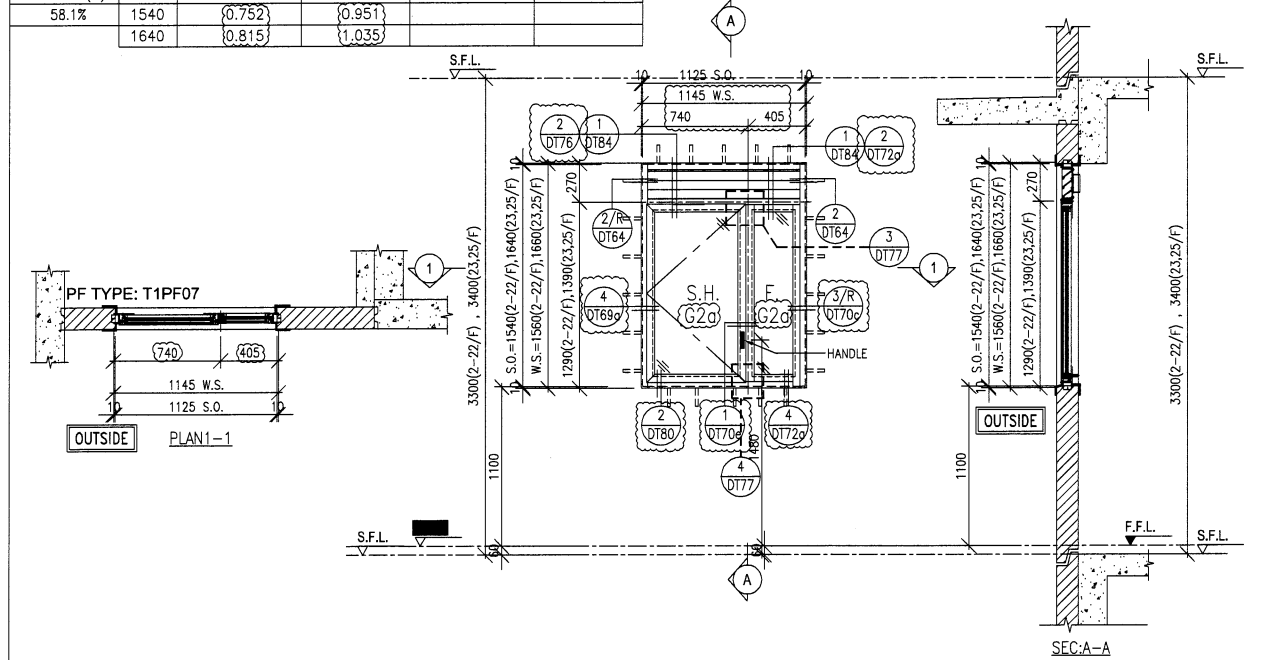
WINDOW MARK	$\frac{W2/P}{T1}$	2/F-22/F	23/F,25/F
		18 nos.	2 nos.

LOCATION: FLAT A KIT AT 2/F TO 25/F FLOOR (T1)
(4,13,14,24/F OMITTED)

GLAZING: G2

WINDOW FRAME: 70mm ALUM. WINDOW SECTION

FREE AREA(%)	PROVIDED		REQUIRE		
	S.O.	OPENABLE AREA	GLAZING AREA	OPENABLE AREA	GLAZING AREA
58.1%	1540	{0.752}	{0.951}		
1640		{0.815}	{1.035}		



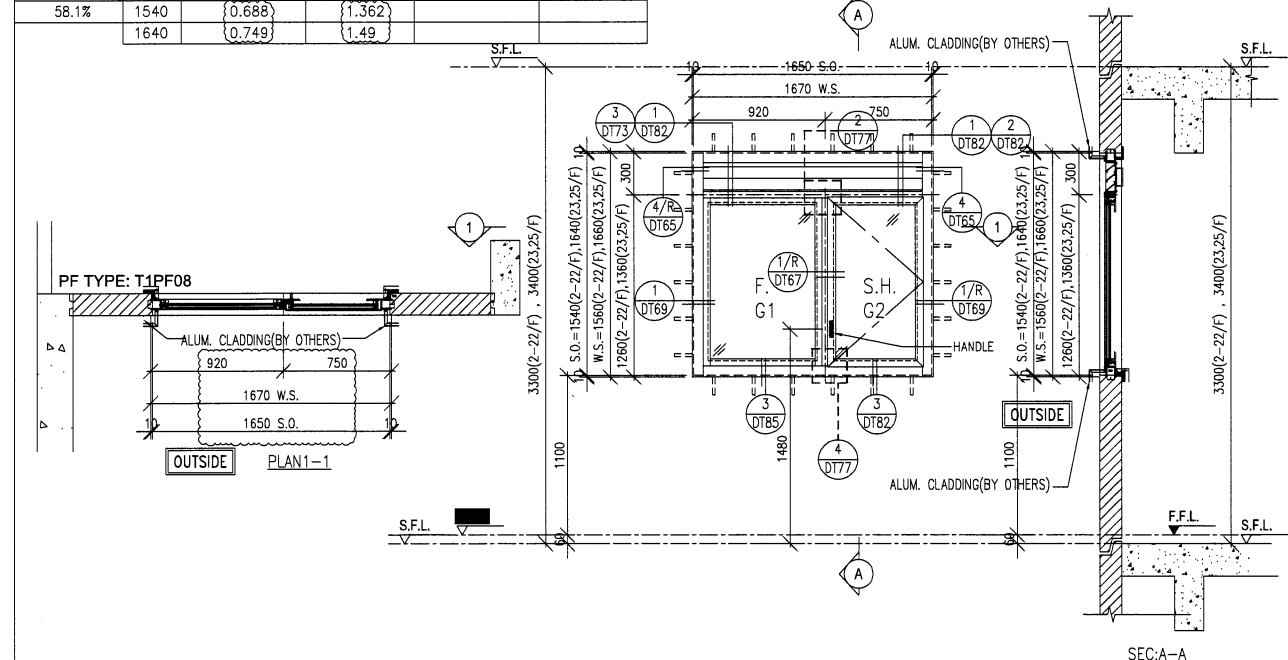
WINDOW MARK	$\frac{W4/P}{T1}$	2/F-22/F	23/F,25/F
		18 nos.	2 nos.

LOCATION: FLAT B LIV/DIN AT 2/F TO 25/F FLOOR (T1)
(4,13,14,24/F OMITTED)

GLAZING: G2a

WINDOW FRAME: 70mm ALUM. WINDOW SECTION

FREE AREA(%)	PROVIDED		REQUIRE		
	S.O.	OPENABLE AREA	GLAZING AREA	OPENABLE AREA	GLAZING AREA
58.1%	1540	{0.688}	{1.362}		
1640		{0.749}	{1.49}		



WINDOW MARK	$\frac{W5/P}{T1}$	2/F-22/F	23/F,25/F
		18 nos.	2 nos.

LOCATION: FLAT B KIT AT 2/F TO 25/F FLOOR (T1)
(4,13,14,24/F OMITTED)

GLAZING: G1, G2

WINDOW FRAME: 70mm ALUM. WINDOW SECTION

B.D. REF :

ARCHITECT :
WT WONG TUNG & PARTNERS LIMITED
ARCHITECTS & PLANNERS

STRUCTURAL ENGINEER :
SUN HUNG KAI
ARCHITECTS AND ENGINEERS LTD.
SUN HUNG KAI CENTRE, WANCHAI, HONGKONG
TEL: 28278111 FAX: 28272884

FAÇADE CONSULTANT:
ALPHA CONSULTING LIMITED
Steel Structure & Façade Specialist

MAIN CONTRACTOR :
Sanfield Engineering Construction Ltd.

CLIENT :
SUN HUNG KAI
REAL ESTATE AGENCY LTD.
42/F SUN HUNG KAI CENTRE, WANCHAI, HONGKONG

NOTE :
1. ALL DIMENSIONS ARE IN MM.
2. ALL ELEVATIONS ARE VIEWED FROM OUTSIDE.
3. ALL DIMENSIONS TO BE VERIFIED ON SITE BEFORE FABRICATION.

LEGEND :
X1 --- DETAIL MARK NO.
X001 --- REFER SHEET NO.
1. F.F.L. --- FINISHED FLOOR LEVEL
2. S.F.L. --- STRUCTURAL FLOOR LEVEL
3. (R) --- REVERSED DETAIL
4. GLASS LEGEND
G1-8mmHS+12mm AIR GAP+10mmTP I.G.U.
G2-8mmHS+12mm AIR GAP+8mmTP I.G.U.
G2a-8mmHS+12mm AIR GAP+8mmTP+1.52PVB+6mm FEATURED GLASS (I.G.U.)
G8-6mm GREY HS+1.52PVB+6mm CLEAR HS

A	28/03/2021	REVISION SUBJECT TO ARCH.COMMENT	IWA
NO.	DATE	REVISED	BY

JOB NO. : J-859

PROJECT : PROPOSED RESIDENTIAL / COMMERCIAL DEVELOPMENT AT NKIL NO.6551 KAI TAK AREA 4C, SITE 3 KAI TAK, KOWLOON

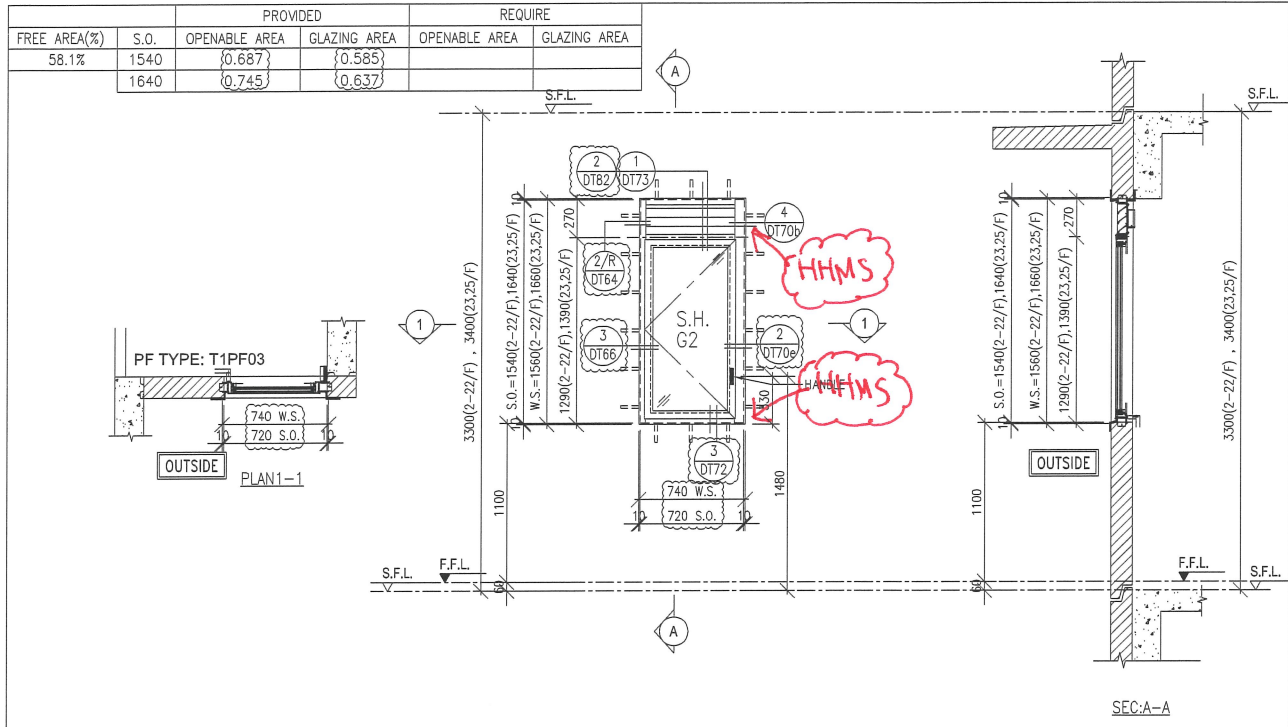
TITLE : WINDOW SCHEDULE FOR PRECAST FAÇADE AT TOWER 1

DATE : 23-Nov-21 SCALE : 1:50 (A3)

DRAWN BY : IVAN CHECKED BY :

美特鋁質有限公司
MIDI ALUMINIUM FABRICATOR LTD.
Units 6-8, Sunray Industrial Centre, 1/F
610 Cha Kwo Ling Road, Kowloon
Tel:23489211-4 Fax:(852)27727666

DWG NO. : J859-SD-PW-1101 REV. : A

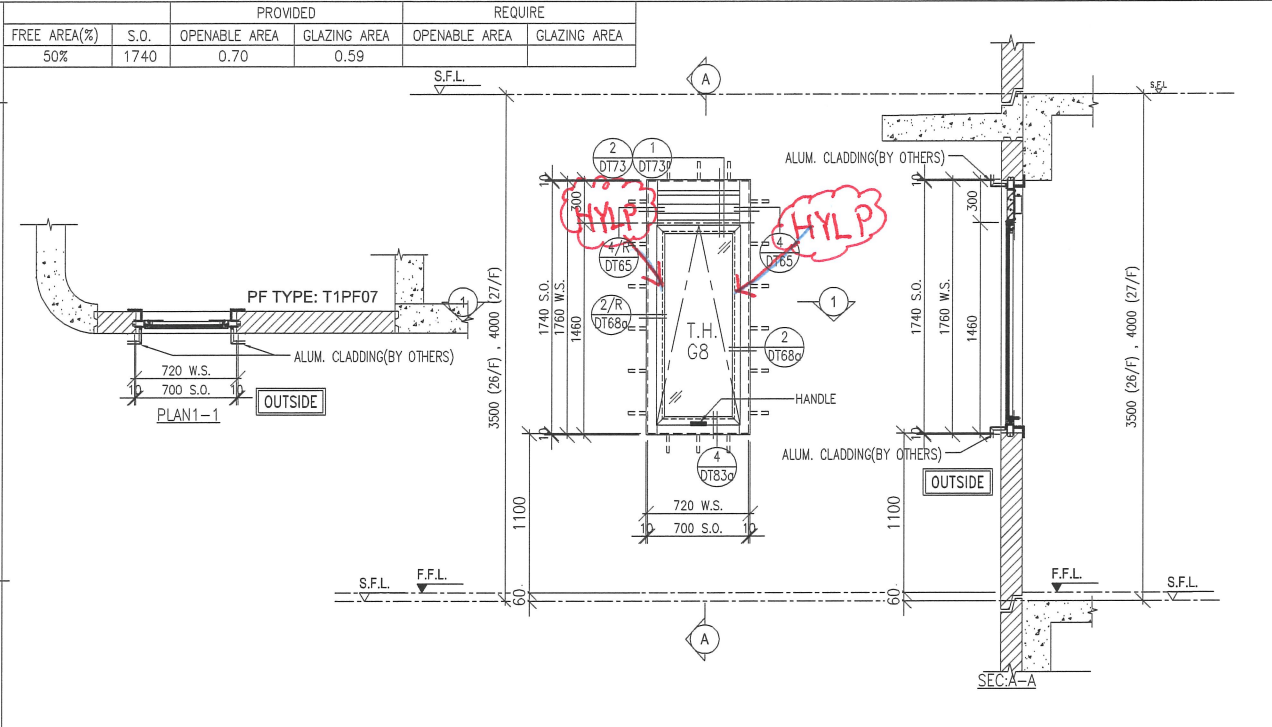


WINDOW MARK	W6/P T1	2/F-22/F 18 nos.	23/F,25/F 2 nos.
-------------	------------	---------------------	---------------------

LOCATION: FLAT A KIT AT 2/F TO 25/F FLOOR (T1)
(4,13,14,24/F OMITTED)

GLAZING: G2

WINDOW FRAME: 70mm ALUM. WINDOW SECTION

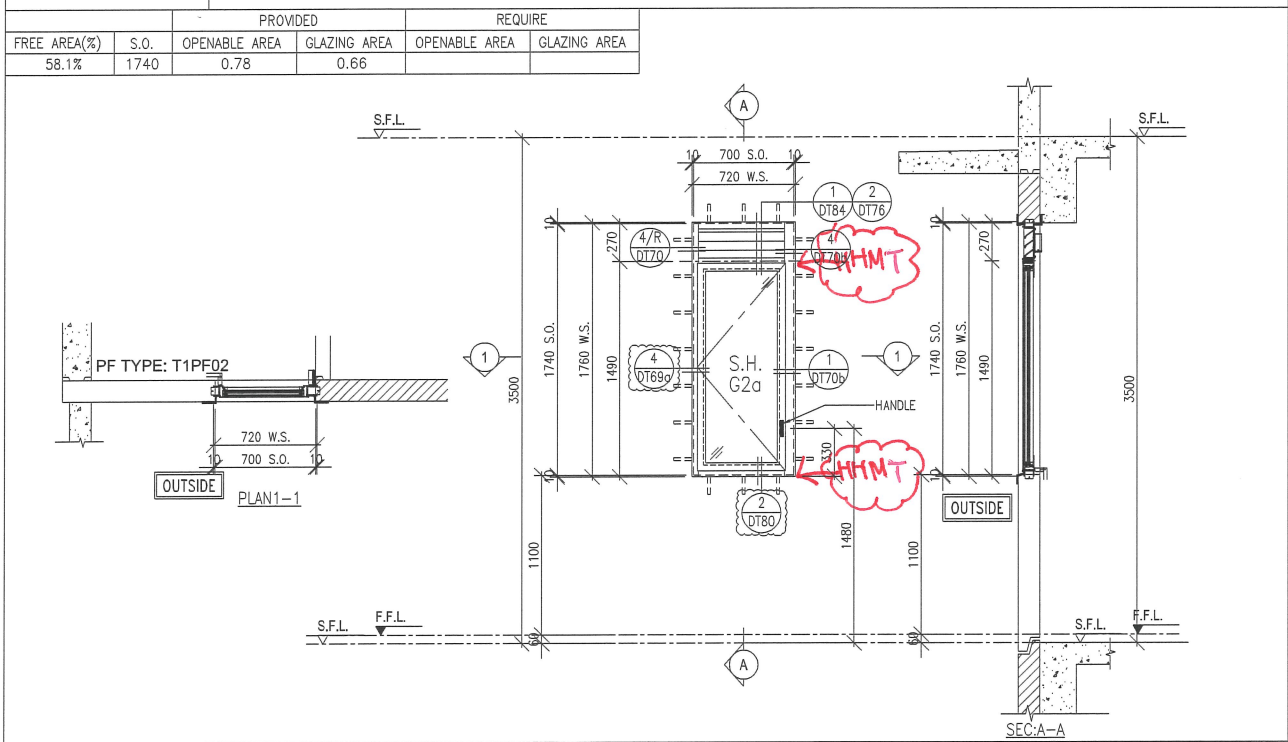


WINDOW MARK	W9/P T1	2 nos.
-------------	------------	--------

LOCATION: FLAT B STO AT 26/F TO 27/F FLOOR (T1)

GLAZING: G8

WINDOW FRAME: 50mm ALUM. WINDOW SECTION

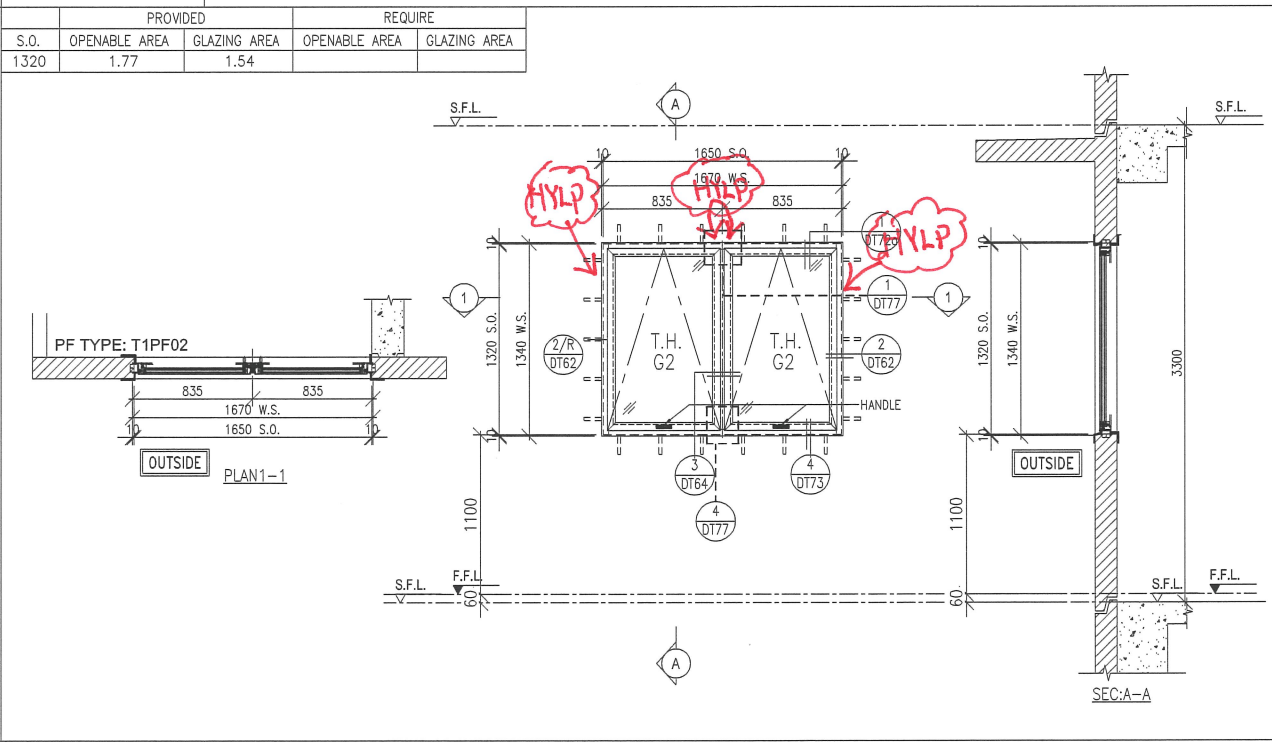


WINDOW MARK	W12 T1	1no.
-------------	-----------	------

LOCATION: Victoria Manor Bath 1 AT 26/F FLOOR (T1)

GLAZING: G2a

WINDOW FRAME: 70mm ALUM. WINDOW SECTION



WINDOW MARK	W8a T1	1nos.
-------------	-----------	-------

LOCATION: 22/F FLOOR (T1)

GLAZING: G2

WINDOW FRAME: 70mm ALUM. WINDOW SECTION

B.O. REF :

ARCHITECT :
WT WONG TUNG & PARTNERS LIMITED
ARCHITECTS & PLANNERS

STRUCTURAL ENGINEER :
SUN HUNG KAI
ARCHITECTS AND ENGINEERS LTD.
SUN HUNG KAI CENTRE, WANCHAI, HONGKONG
TEL: 28278111 FAX: 28272884

FAÇADE CONSULTANT:
α ALPHA CONSULTING LIMITED
Steel Structure & Façade Specialist

MAIN CONTRACTOR :
Sanfield Engineering Construction Ltd.

CLIENT :
SUN HUNG KAI
REAL ESTATE AGENCY LTD.
42/F SUN HUNG KAI CENTRE, WANCHAI, HONGKONG

NOTE :
1. ALL DIMENSIONS ARE IN mm.
2. ALL ELEVATIONS ARE VIEWED FROM OUTSIDE.
3. ALL DIMENSIONS TO BE VERIFIED ON SITE BEFORE FABRICATION.

LEGEND :
x1 --- DETAIL MARK NO.
x001 --- REFER SHEET NO.
1. F.F.L. --- FINISHED FLOOR LEVEL
2. S.F.L. --- STRUCTURAL FLOOR LEVEL
3. (R) --- REVERSED DETAIL
4. GLASS LEGEND
G1-8mmHS+12mm AIR GAP+10mmTP I.G.U.
G2-8mmHS+12mm AIR GAP+8mmTP I.G.U.
G2a-8mmHS+12mm AIR GAP+8mmTP+1.52PVB+6mm FEATURED GLASS (I.G.U.)
G8-6mm GREY HS+1.52PVB+6mm CLEAR HS

A	28/03/2021	REVISION SUBJECT TO ARCH.COMMENT	IWA
NO.	DATE	REVISED	BY

JOB NO. : J-859
PROJECT : PROPOSED RESIDENTIAL / COMMERCIAL DEVELOPMENT AT NKIL NO.6551 KAI TAK AREA 4C, SITE 3 KAI TAK, KOWLOON

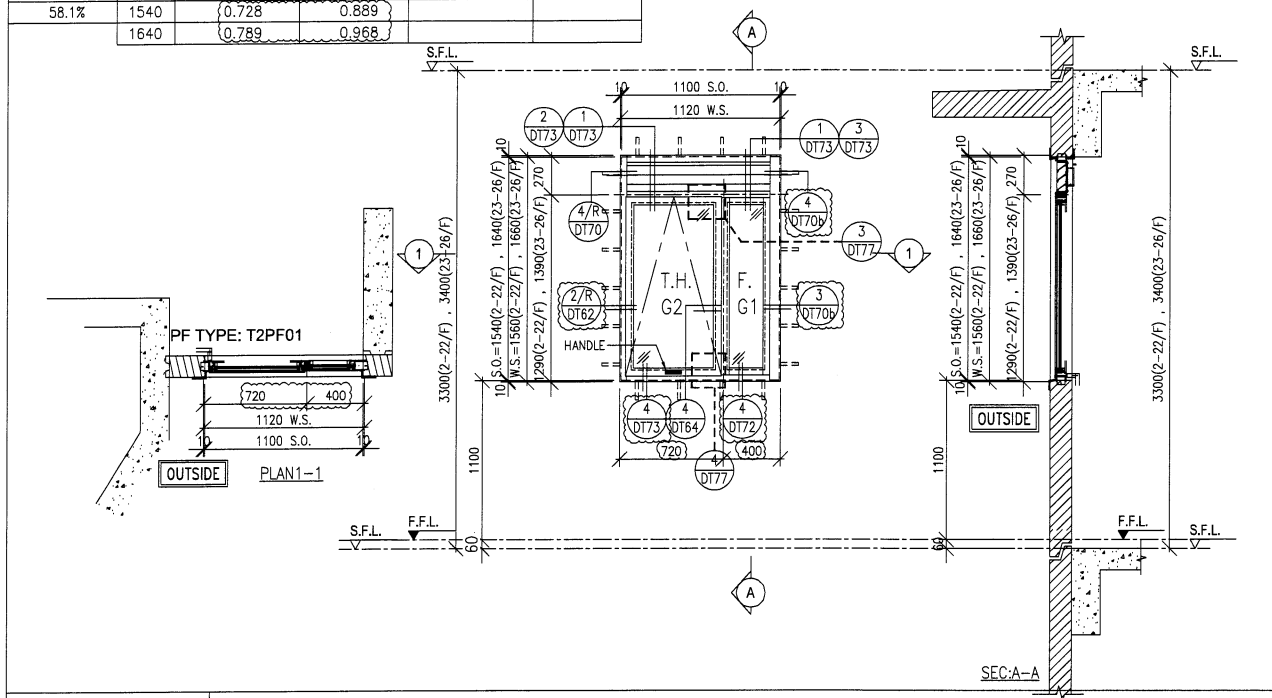
TITLE : WINDOW SCHEDULE FOR PRECAST FAÇADE AT TOWER 1

DATE : 23-Nov-21 SCALE : 1:50 (A3)

DRAWN BY : IVAN CHECKED BY :

美特鋁質有限公司
MIDI ALUMINIUM FABRICATOR LTD.
Units 6-8, Sunray Industrial Centre, 1/F
610 Cha Kwo Ling Road, Kowloon
Tel:23489211-4 Fax:(852)2727666
DWG NO. : J859-SD-PW-1102 REV. : A

FREE AREA(%)	PROVIDED			REQUIRE	
	S.O.	OPENABLE AREA	GLAZING AREA	OPENABLE AREA	GLAZING AREA
58.1%	1540	0.728	0.889		
	1640	0.789	0.968		



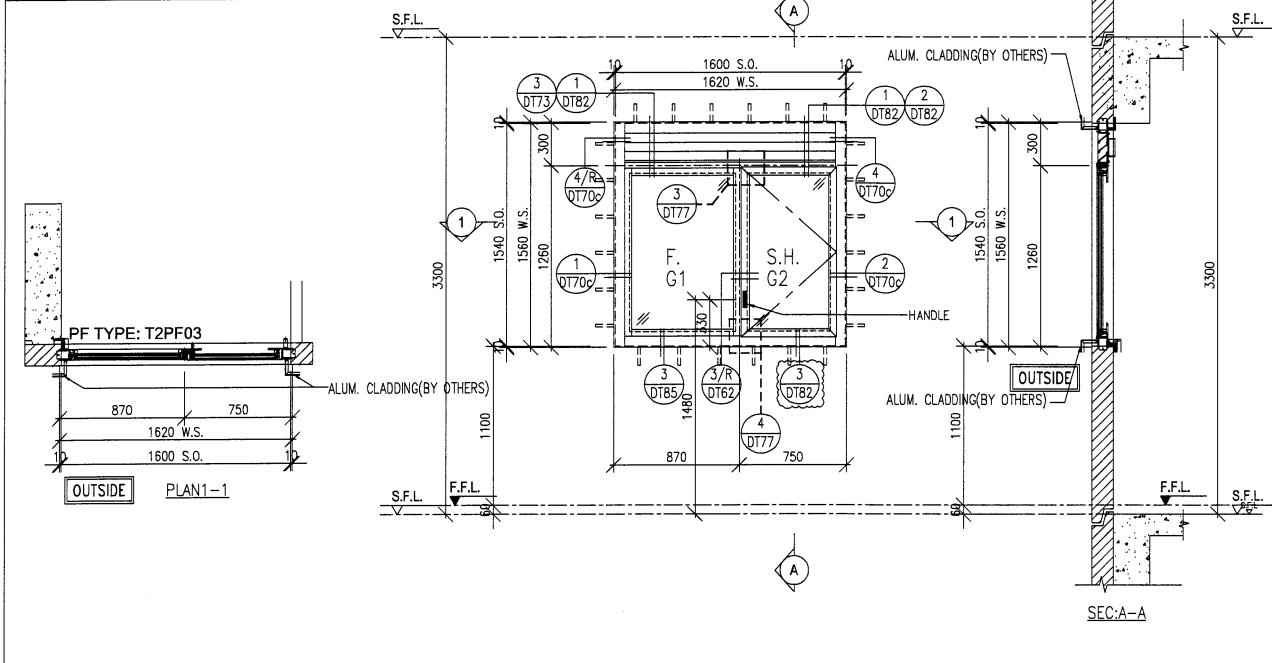
WINDOW MARK	$\frac{W1/P}{T2}$	2/F-22/F 18 nos.	23/F-26/F 3 nos.
-------------	-------------------	---------------------	---------------------

LOCATION: FLAT A KIT AT 2/F TO 26/F FLOOR (T2)
(4,13,14,24/F OMITTED)

GLAZING: G1, G2

WINDOW FRAME: 70mm ALUM. WINDOW SECTION

FREE AREA(%)	PROVIDED			REQUIRE	
	S.O.	OPENABLE AREA	GLAZING AREA	OPENABLE AREA	GLAZING AREA
58.1%	1540	0.69	1.34		



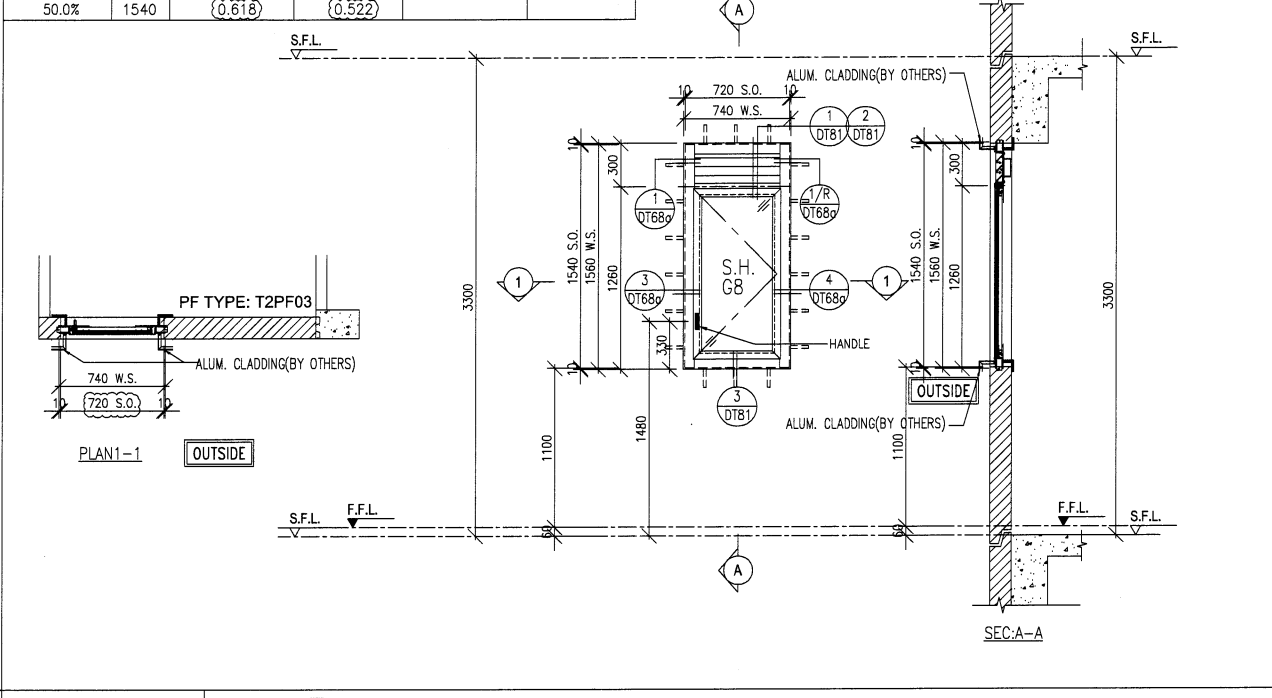
WINDOW MARK	$\frac{W4/P}{T2}$	15 nos.
-------------	-------------------	---------

LOCATION: FLAT D KIT AT 2/F TO 19/F FLOOR (T2)
(4,13,14/F OMITTED)

GLAZING: G1, G2

WINDOW FRAME: 70mm ALUM. WINDOW SECTION

FREE AREA(%)	PROVIDED			REQUIRE	
	S.O.	OPENABLE AREA	GLAZING AREA	OPENABLE AREA	GLAZING AREA
50.0%	1540	0.618	0.522		



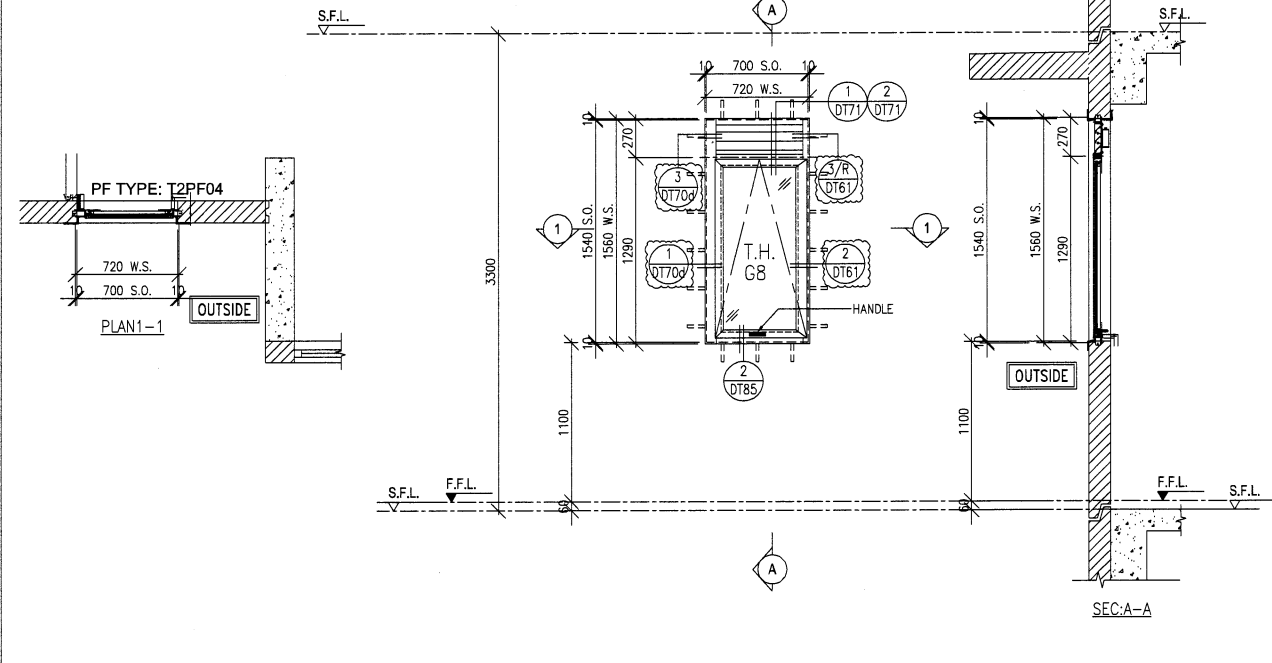
WINDOW MARK	$\frac{W3/P}{T2}$	15 nos.
-------------	-------------------	---------

LOCATION: FLAT D STO AT 2/F TO 19/F FLOOR (T2)
(4,13,14/F OMITTED)

GLAZING: G8

WINDOW FRAME: 50mm ALUM. WINDOW SECTION

FREE AREA(%)	PROVIDED			REQUIRE	
	S.O.	OPENABLE AREA	GLAZING AREA	OPENABLE AREA	GLAZING AREA
50%	1540	0.66	0.56		



WINDOW MARK	$\frac{W5/P}{T2}$	15 nos.
-------------	-------------------	---------

LOCATION: FLAT D BATH AT 2/F TO 19/F FLOOR (T2)
(4,13,14/F OMITTED)

GLAZING: G8

WINDOW FRAME: 50mm ALUM. WINDOW SECTION

B.D. REF :

ARCHITECT :
WT
WONG TUNG & PARTNERS LIMITED
ARCHITECTS & PLANNERS

STRUCTURAL ENGINEER :
SUN HUNG KAI
ARCHITECTS AND ENGINEERS LTD.
SUN HUNG KAI CENTRE, WANCHAI, HONGKONG
TEL. 28278111 FAX. 28272884

FAÇADE CONSULTANT:
ALPHA CONSULTING LIMITED
Steel Structure & Façade Specialist

MAIN CONTRACTOR :
Sanfield Engineering Construction Ltd.

CLIENT :
SUN HUNG KAI
REAL ESTATE AGENCY LTD.
42/F SUN HUNG KAI CENTRE, WANCHAI, HONGKONG

NOTE :
1. ALL DIMENSIONS ARE IN mm.
2. ALL ELEVATIONS ARE VIEWED FROM OUTSIDE.
3. ALL DIMENSIONS TO BE VERIFIED ON SITE BEFORE FABRICATION.

LEGEND :
X1 --- DETAIL MARK NO.
X001 --- REFER SHEET NO.
1. F.F.L. --- FINISHED FLOOR LEVEL
2. S.F.L. --- STRUCTURAL FLOOR LEVEL
3. (R) --- REVERSED DETAIL
4. GLASS LEGEND
G1-8mmHS+12mm AIR GAP+10mmTP I.G.U.
G2-8mmHS+12mm AIR GAP+8mmTP I.G.U.
G2a-8mmHS+12mm AIR GAP+8mmTP+1.52PVB+6mm FEATURED GLASS (I.G.U.)
G8-6mm GREY HS+1.52PVB+6mm CLEAR HS

A	28/03/2021	REVISION SUBJECT TO ARCH.COMMENT	IVAN
NO.	DATE	REVISED	BY

JOB NO. : J-859

PROJECT : PROPOSED RESIDENTIAL / COMMERCIAL DEVELOPMENT AT NKIL NO.6551 KAI TAK AREA 4C, SITE 3 KAI TAK, KOWLOON

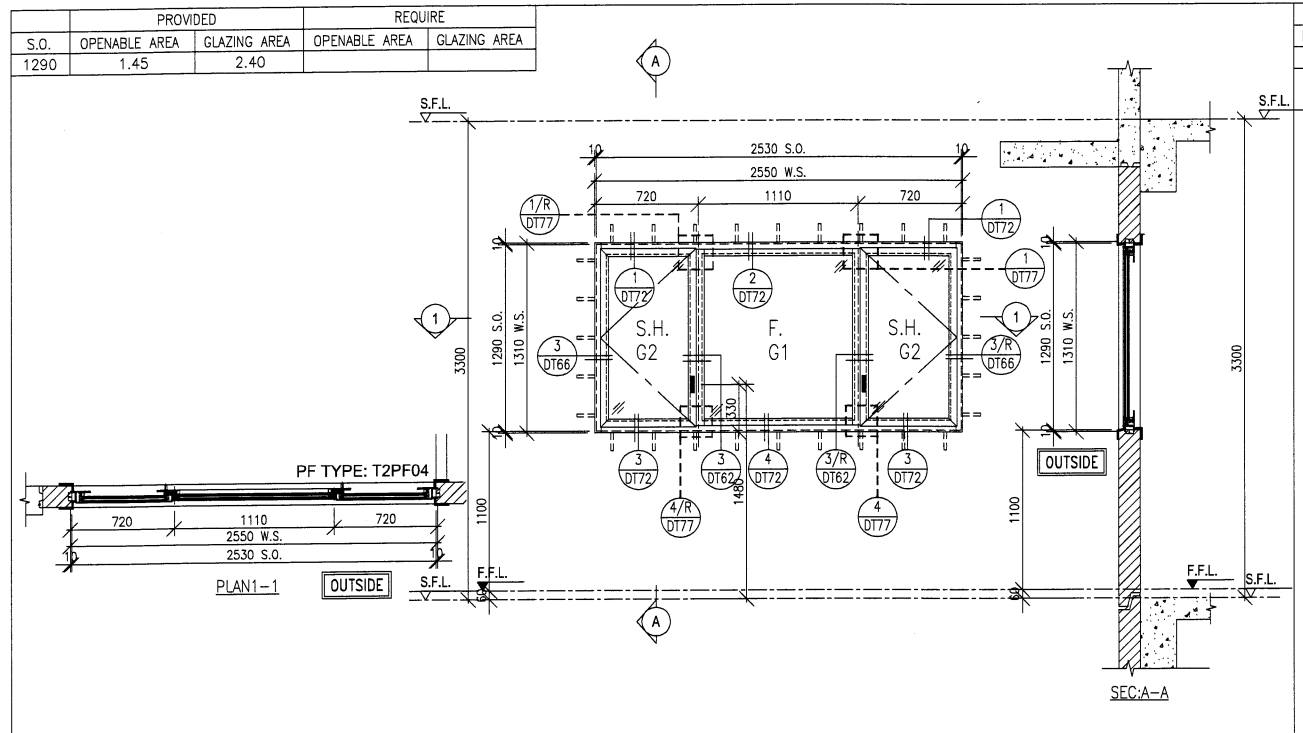
TITLE : WINDOW SCHEDULE FOR PRECAST FAÇADE AT TOWER 2

DATE : 23-Nov-21 SCALE : 1:50 (A3)

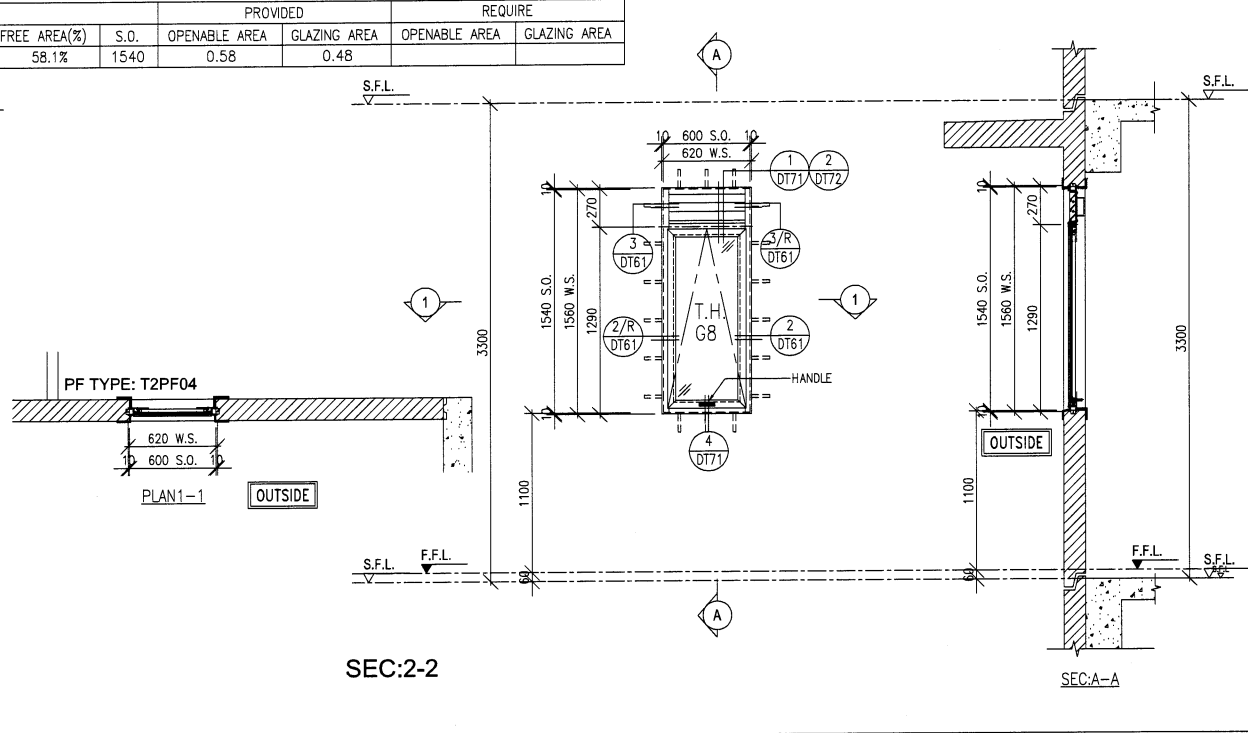
DRAWN BY : IVAN CHECKED BY :

美特鋁質有限公司
MIDI ALUMINIUM FABRICATOR LTD.
Units 6-8, Sunray Industrial Centre, 1/F
610 Cha Kwo Ling Road, Kowloon
Tel:23489211-4 Fax:(852)27727666

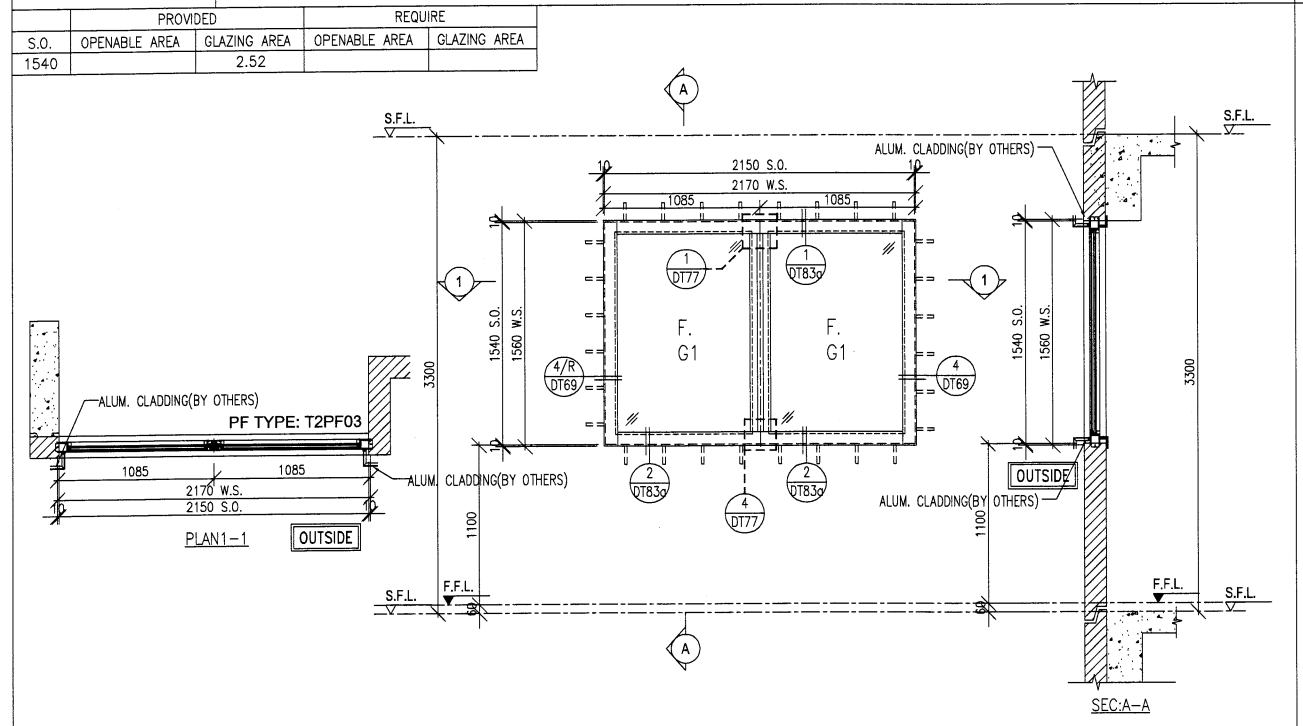
DWG NO. : J859-SD-PW-2101 REV. : A



WINDOW MARK	1 nos.
LOCATION	SKY MANOR BR2 AT 21/F (T2)
GLAZING	G1, G2
WINDOW FRAME	70mm ALUM. WINDOW SECTION



WINDOW MARK	1 nos.
LOCATION	SKY MANOR STO AT 20/F (T2)
GLAZING	G8
WINDOW FRAME	50mm ALUM. WINDOW SECTION



WINDOW MARK	2 nos.
LOCATION	SKY MANOR STAIRCASE FROM 20/F TO 21/F FLOOR (T2)
GLAZING	G1
WINDOW FRAME	70mm ALUM. WINDOW SECTION

B.D. REF :

ARCHITECT :
WONG TUNG & PARTNERS LIMITED
 ARCHITECTS & PLANNERS

STRUCTURAL ENGINEER :
SUN HUNG KAI
 ARCHITECTS AND ENGINEERS LTD.
 SUN HUNG KAI CENTRE, WANCHAI, HONGKONG
 TEL. 28278111 FAX. 28272884

FAÇADE CONSULTANT:
ALPHA CONSULTING LIMITED
 Steel Structure & Façade Specialist

MAIN CONTRACTOR :
Sanfield Engineering Construction Ltd.

CLIENT :
SUN HUNG KAI
 REAL ESTATE AGENCY LTD.
 42/F SUN HUNG KAI CENTRE, WANCHAI, HONGKONG

NOTE :
 1. ALL DIMENSIONS ARE IN mm.
 2. ALL ELEVATIONS ARE VIEWED FROM OUTSIDE.
 3. ALL DIMENSIONS TO BE VERIFIED ON SITE BEFORE FABRICATION.

LEGEND :
 — DETAIL MARK NO.
 — REFER SHEET NO.
 1. F.F.L. — FINISHED FLOOR LEVEL
 2. S.F.L. — STRUCTURAL FLOOR LEVEL
 3. (R) — REVERSED DETAIL
 4. GLASS LEGEND
 G1—8mmHS+12mm AIR GAP+10mmTP I.G.U.
 G2—8mmHS+12mm AIR GAP+8mmTP I.G.U.
 G2a—8mmHS+12mm AIR GAP+8mmTP+1.52PVB +6mm FEATURED GLASS (I.G.U.)
 G8—6mm GREY HS+1.52PVB+6mm CLEAR HS

A	28/03/2021	REVISION SUBJECT TO ARCH.COMMENT	IVAN
NO.	DATE	REVISED	BY

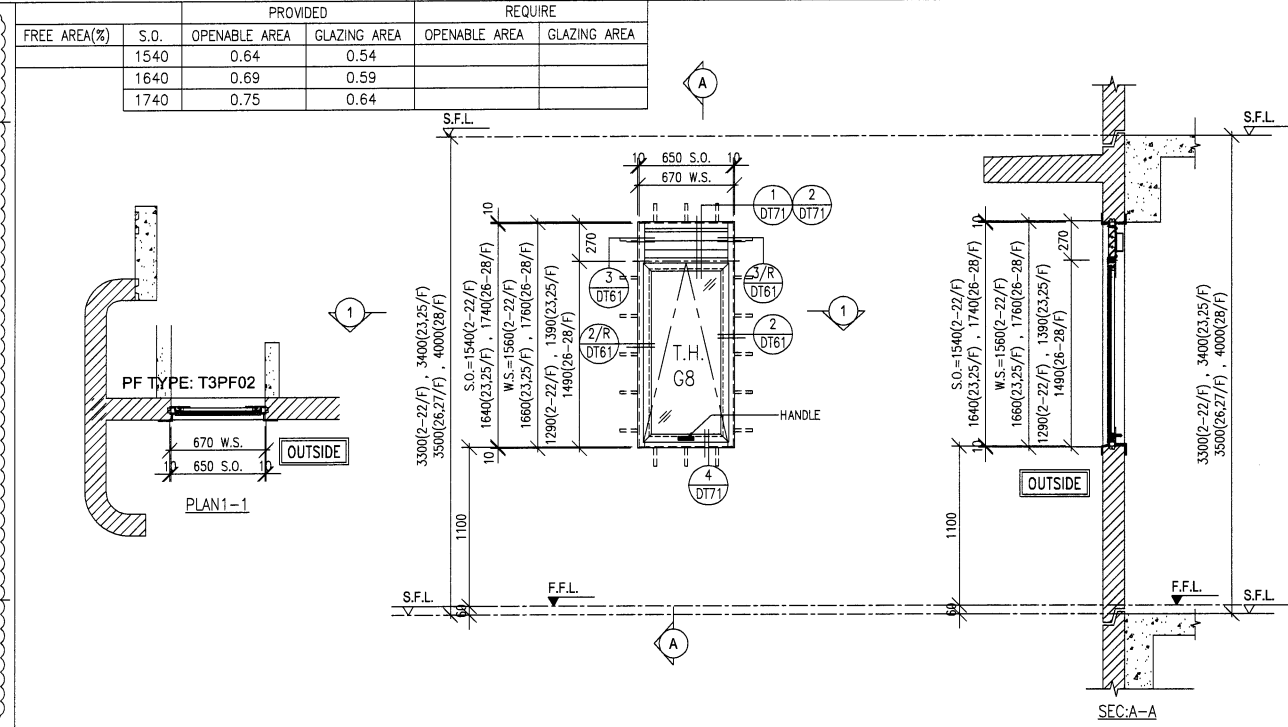
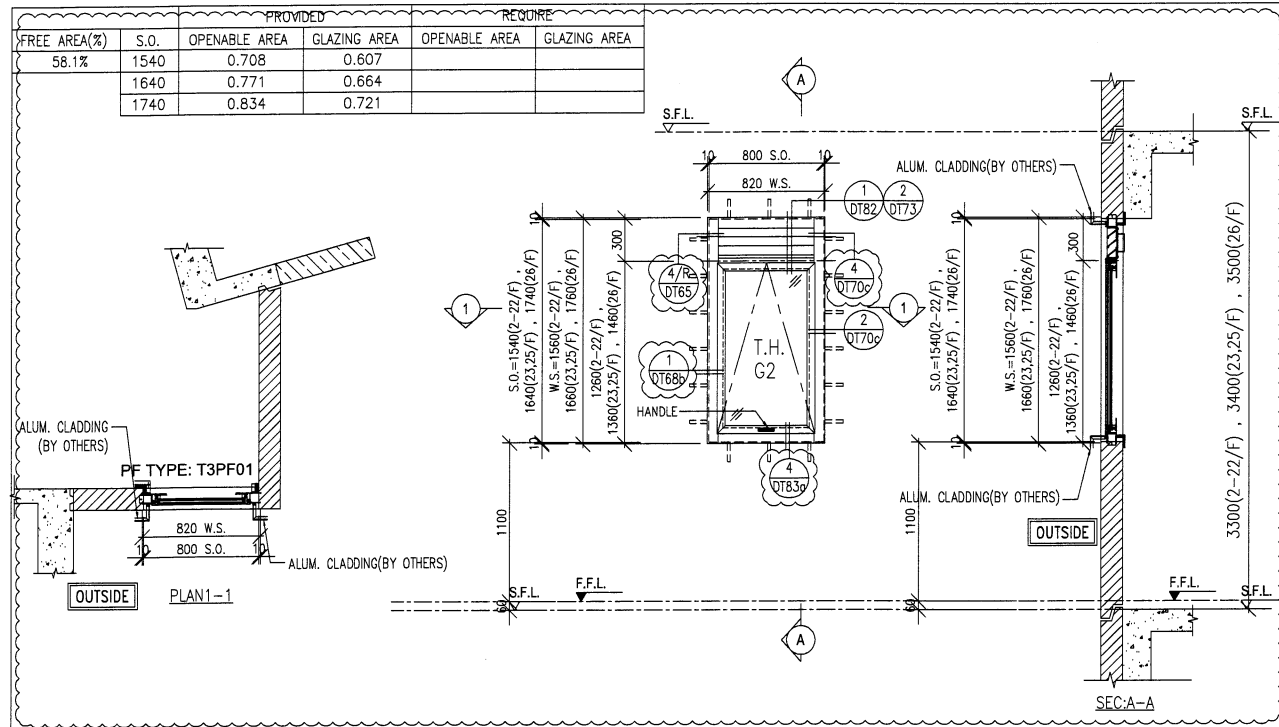
JOB NO. : J-859
 PROJECT : PROPOSED RESIDENTIAL / COMMERCIAL DEVELOPMENT AT NKIL NO.6551 KAI TAK AREA 4C, SITE 3 KAI TAK, KOWLOON

TITLE : WINDOW SCHEDULE FOR PRECAST FAÇADE AT TOWER 2

DATE : 23-Nov-21 SCALE : 1:50 (A3)
 DRAWN BY : IVAN CHECKED BY :

美特鋁質有限公司
MIDI ALUMINIUM FABRICATOR LTD.
 Units 6-8, Sunray Industrial Centre, 1/F
 610 Che Kwo Ling Road, Kowloon
 Tel:23489211-4 Fax:(852)2727666

DWG NO. : J859-SD-PW-2102 REV. : A



WINDOW MARK	$\frac{W1/P}{T3}$ 2/F-22/F 23/F,25/F 26/F 18 nos. 2 nos. 1 no.
LOCATION	FLAT A KIT AT 2/F TO 26/F FLOOR (T3) (4,13,14,24/F OMITTED)
GLAZING	G2
WINDOW FRAME	70mm ALUM. WINDOW SECTION

WINDOW MARK	$\frac{W3/P}{T3}$ 2/F-22/F 23/F,25/F 26/F-28/F 18 nos. 2 nos. 3 nos.
LOCATION	EMR AT 2/F TO 28/F FLOOR (T3) (4,13,14,24/F OMITTED)
GLAZING	G8
WINDOW FRAME	50mm ALUM. WINDOW SECTION

WINDOW MARK	
LOCATION	
GLAZING	
WINDOW FRAME	

WINDOW MARK	
LOCATION	
GLAZING	
WINDOW FRAME	

B.D. REF :

ARCHITECT :
WT WONG TUNG & PARTNERS LIMITED
ARCHITECTS & PLANNERS

STRUCTURAL ENGINEER :
SUN HUNG KAI
ARCHITECTS AND ENGINEERS LTD.
SUN HUNG KAI CENTRE, WANCHAI, HONGKONG
TEL. 28278111 FAX. 28272884

FAÇADE CONSULTANT:
α ALPHA CONSULTING LIMITED
Steel Structure & Façade Specialist

MAIN CONTRACTOR :
Sanfield Engineering Construction Ltd.

CLIENT :
SUN HUNG KAI
REAL ESTATE AGENCY LTD.
42/F SUN HUNG KAI CENTRE, WANCHAI, HONGKONG

NOTE :
1. ALL DIMENSIONS ARE IN mm.
2. ALL ELEVATIONS ARE VIEWED FROM OUTSIDE.
3. ALL DIMENSIONS TO BE VERIFIED ON SITE BEFORE FABRICATION.

LEGEND :
x1 — DETAIL MARK NO.
x001 — REFER SHEET NO.

1. F.F.L. — FINISHED FLOOR LEVEL
2. S.F.L. — STRUCTURAL FLOOR LEVEL
3. (R) — REVERSED DETAIL
4. GLASS LEGEND
G1 — 8mmHS+12mm AIR GAP+10mmTP I.G.U.
G2 — 8mmHS+12mm AIR GAP+8mmTP I.G.U.
G2a — 8mmHS+12mm AIR GAP+8mmTP+1.52PVB+6mm FEATURED GLASS (I.G.U.)
G8 — 6mm GREY HS+1.52PVB+6mm CLEAR HS

A	28/03/2021	REVISION SUBJECT TO ARCH.COMMENT	IWA
NO.	DATE	REVISED	BY

JOB NO. : J-859

PROJECT : PROPOSED RESIDENTIAL / COMMERCIAL DEVELOPMENT AT NKIL NO.6551 KAI TAK AREA 4C, SITE 3 KAI TAK, KOWLOON

TITLE : WINDOW SCHEDULE FOR PRECAST FAÇADE AT TOWER 3

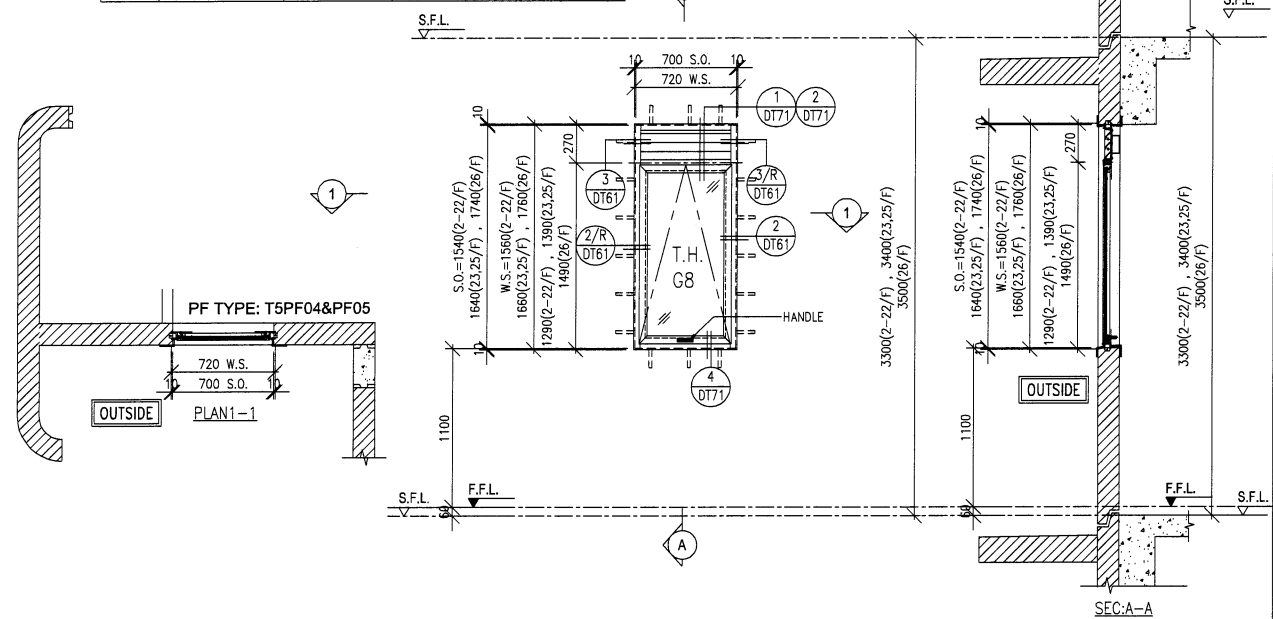
DATE : 17-Nov-21 SCALE : 1:50 (A3)

DRAWN BY : IVAN CHECKED BY :

MIDI 美特鋁質有限公司
ALUMINIUM FABRICATOR LTD.
Units 6-8, Sunray Industrial Centre, 1/F
610 Cha Kwo Ling Road, Kowloon
Tel:23489211-4 Fax:(852)27727666

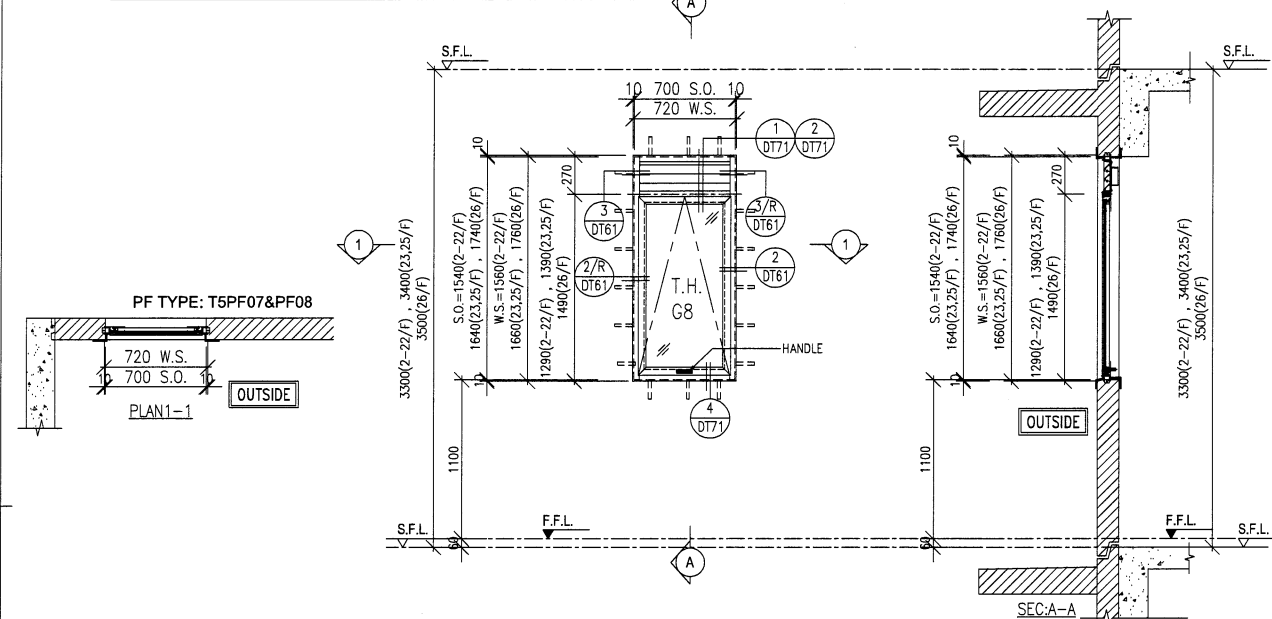
DWG NO. : J859-SD-PW-3101 REV. : A

FREE AREA(%)	PROVIDED			REQUIRE	
	S.O.	OPENABLE AREA	GLAZING AREA	OPENABLE AREA	GLAZING AREA
50%	1540	0.70	0.60		
	1640	0.76	0.65		
	1740	0.82	0.70		



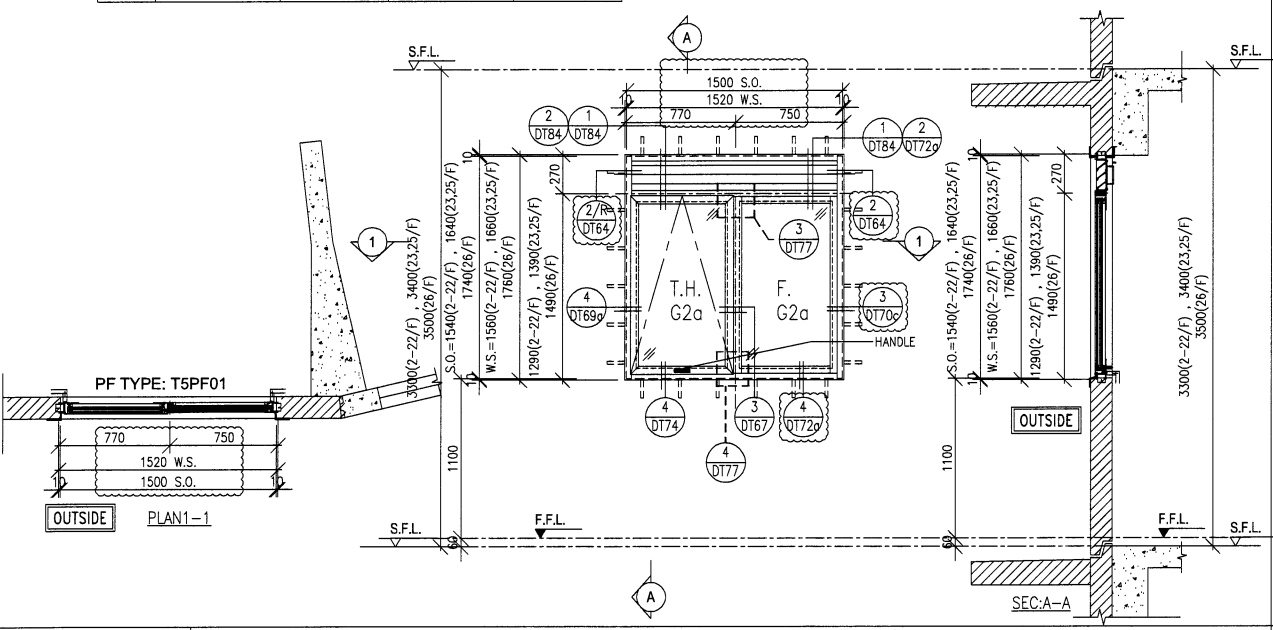
WINDOW MARK	$\frac{W1/P}{T5}$	2/F-22/F 18 nos.	23/F,25/F 2 nos.	26/F 1 no.
LOCATION	FLAT A STO AT 2/F TO 26/F FLOOR (T5) (4,13,14,24/F OMITTED)			
GLAZING	G8			
WINDOW FRAME	50mm ALUM. WINDOW SECTION			

FREE AREA(%)	PROVIDED			REQUIRE	
	S.O.	OPENABLE AREA	GLAZING AREA	OPENABLE AREA	GLAZING AREA
50%	1540	0.70	0.60		
	1640	0.76	0.65		
	1740	0.82	0.70		



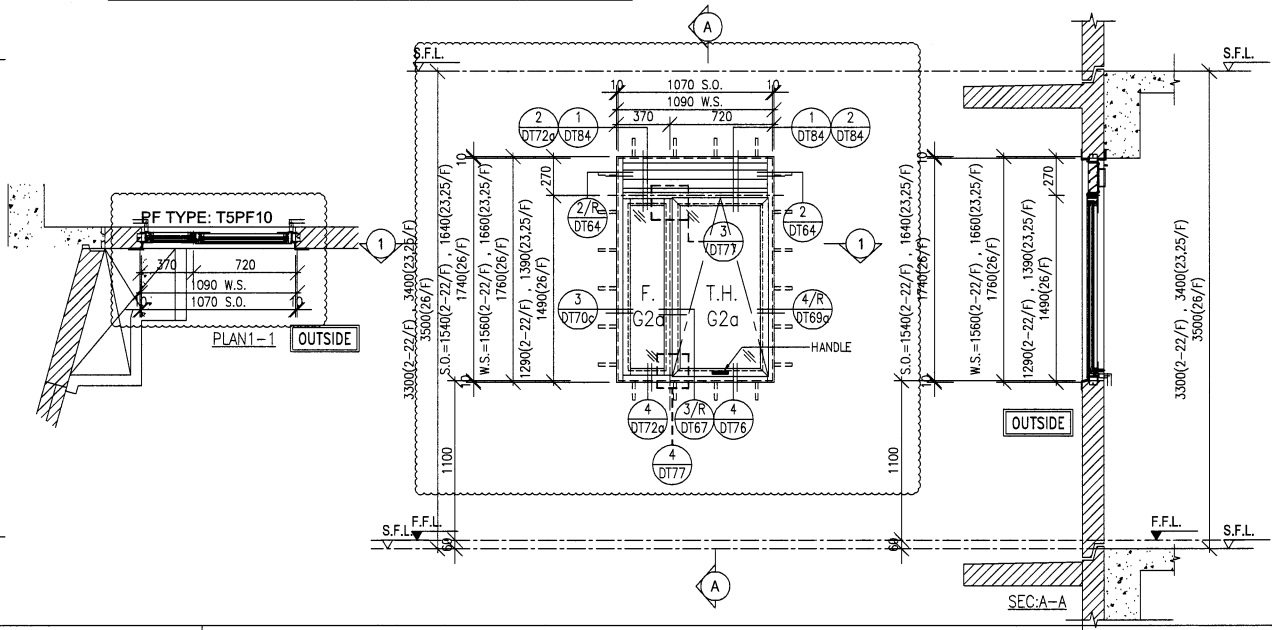
WINDOW MARK	$\frac{W2/P}{T5}$	2/F-22/F 18 nos.	23/F,25/F 2 nos.	26/F 1 no.
LOCATION	FLAT B STO AT 2/F TO 26/F FLOOR (T5) (4,13,14,24/F OMITTED)			
GLAZING	G8			
WINDOW FRAME	50mm ALUM. WINDOW SECTION			

FREE AREA(%)	PROVIDED			REQUIRE	
	S.O.	OPENABLE AREA	GLAZING AREA	OPENABLE AREA	GLAZING AREA
58.1%	1540	0.79	1.41		
	1640	0.85	1.54		
	1740	0.92	1.60		



WINDOW MARK	$\frac{W3/P}{T5}$	2/F-22/F 18 nos.	23/F,25/F 2 nos.	26/F 1 no.
LOCATION	FLAT A M.BATH AT 2/F TO 26/F FLOOR (T5) (4,13,14,24/F OMITTED)			
GLAZING	G2a			
WINDOW FRAME	70mm ALUM. WINDOW SECTION			

FREE AREA(%)	PROVIDED			REQUIRE	
	S.O.	OPENABLE AREA	GLAZING AREA	OPENABLE AREA	GLAZING AREA
58.1%	1540	0.728	0.889		
	1640	0.789	0.968		
	1740	0.851	1.047		



WINDOW MARK	$\frac{W4/P}{T5}$	2/F-22/F 18 nos.	23/F,25/F 2 nos.	26/F 1 no.
LOCATION	FLAT B M.BATH AT 2/F TO 26/F FLOOR (T5) (4,13,14,24/F OMITTED)			
GLAZING	G2a			
WINDOW FRAME	70mm ALUM. WINDOW SECTION			

B.D. REF :

ARCHITECT :
WONG TUNG & PARTNERS LIMITED
ARCHITECTS & PLANNERS

STRUCTURAL ENGINEER :
SUN HUNG KAI
ARCHITECTS AND ENGINEERS LTD.
SUN HUNG KAI CENTRE, WANCHAI, HONGKONG
TEL. 28278111 FAX. 28272884

FAÇADE CONSULTANT:
ALPHA CONSULTING LIMITED
Steel Structure & Façade Specialist

MAIN CONTRACTOR :
Sanfield Engineering Construction Ltd.

CLIENT :
SUN HUNG KAI
REAL ESTATE AGENCY LTD.
42/F SUN HUNG KAI CENTRE, WANCHAI, HONGKONG

NOTE :
1. ALL DIMENSIONS ARE IN mm.
2. ALL ELEVATIONS ARE VIEWED FROM OUTSIDE.
3. ALL DIMENSIONS TO BE VERIFIED ON SITE BEFORE FABRICATION.

LEGEND :
X1 --- DETAIL MARK NO.
X001 --- REFER SHEET NO.
1. F.F.L. --- FINISHED FLOOR LEVEL
2. S.F.L. --- STRUCTURAL FLOOR LEVEL
3. (R) --- REVERSED DETAIL
4. GLASS LEGEND
G1-8mmHS+12mm AIR GAP+10mmTP I.G.U.
G2-8mmHS+12mm AIR GAP+8mmTP I.G.U.
G2a-8mmHS+12mm AIR GAP+8mmTP+1.52PVB+6mm FEATURED GLASS (I.G.U.)
G8-6mm GREY HS+1.52PVB+6mm CLEAR HS

A	28/03/2021	REVISION SUBJECT TO ARCH.COMMENT	IVAN
NO.	DATE	REVISED	BY

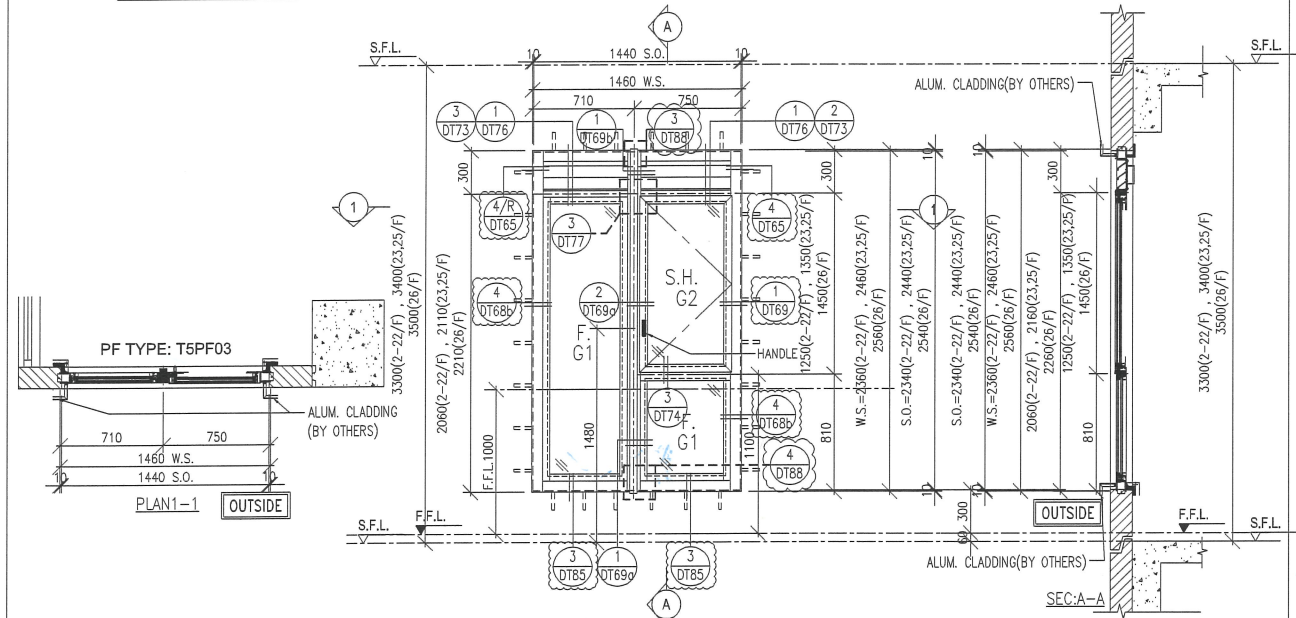
JOB NO. : J-859
PROJECT : PROPOSED RESIDENTIAL / COMMERCIAL DEVELOPMENT AT NKIL NO.6551 KAI TAK AREA 4C, SITE 3 KAI TAK, KOWLOON

TITLE : WINDOW SCHEDULE FOR PRECAST FAÇADE AT TOWER 5

DATE : 18-Nov-21 SCALE : 1:50 (A3)
DRAWN BY : IVAN CHECKED BY :

美特鋁質有限公司
MIDI ALUMINUM FABRICATOR LTD.
Units 6-8, Sunray Industrial Centre, 1/F
610 Cha Kwo Ling Road, Kowloon
Tel:23489211-4 Fax:(852)27276666
DWG NO. : J859-SD-PW-5101 REV. : A

FREE AREA(%)	PROVIDED			REQUIRE	
	S.O.	OPENABLE AREA	GLAZING AREA	OPENABLE AREA	GLAZING AREA
58.1%	2340	0.69	1.25		
	2440	0.75	1.35		
	2540	0.81	1.45		



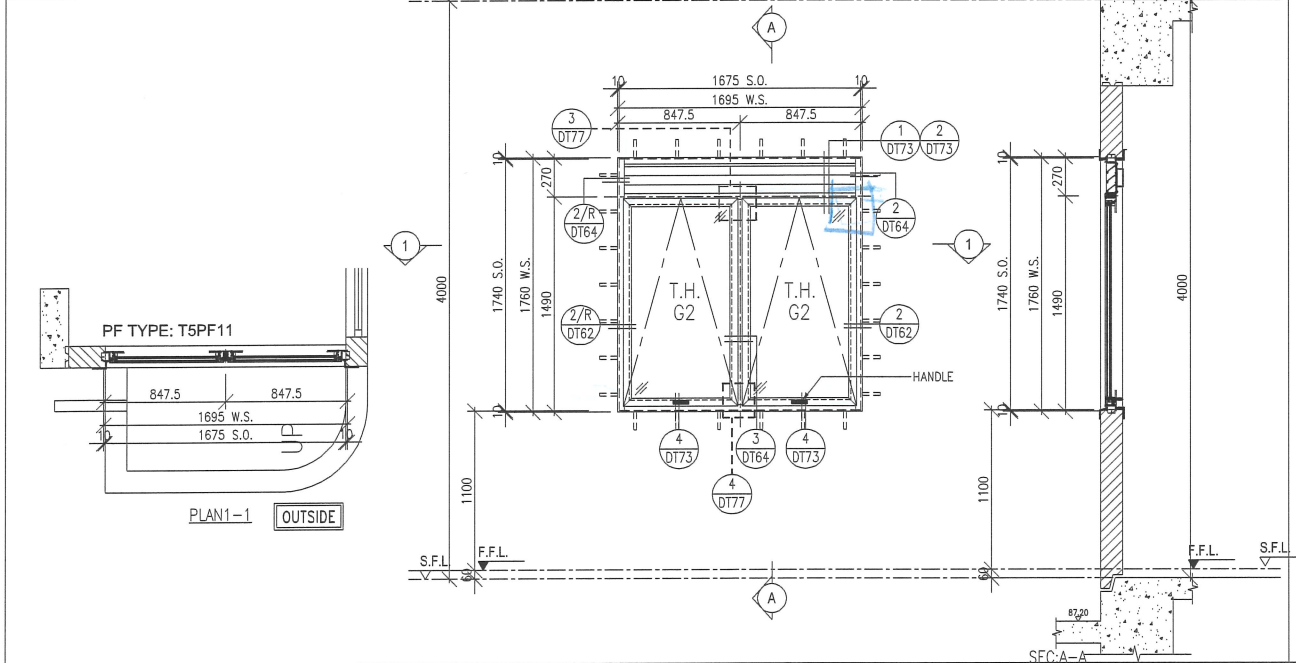
WINDOW MARK	$\frac{W5/P}{T5}$	2/F-22/F 18 nos.	23/F,25/F 2 nos.	26/F 1 no.
-------------	-------------------	---------------------	---------------------	---------------

LOCATION: FLAT A KIT AT 2/F TO 26/F FLOOR (T5)
(4,13,14,24/F OMITTED)

GLAZING: G1, G2

WINDOW FRAME: 70mm ALUM. WINDOW SECTION

FREE AREA(%)	PROVIDED			REQUIRE	
	S.O.	OPENABLE AREA	GLAZING AREA	OPENABLE AREA	GLAZING AREA
58.1%	1740	2.06	1.81		



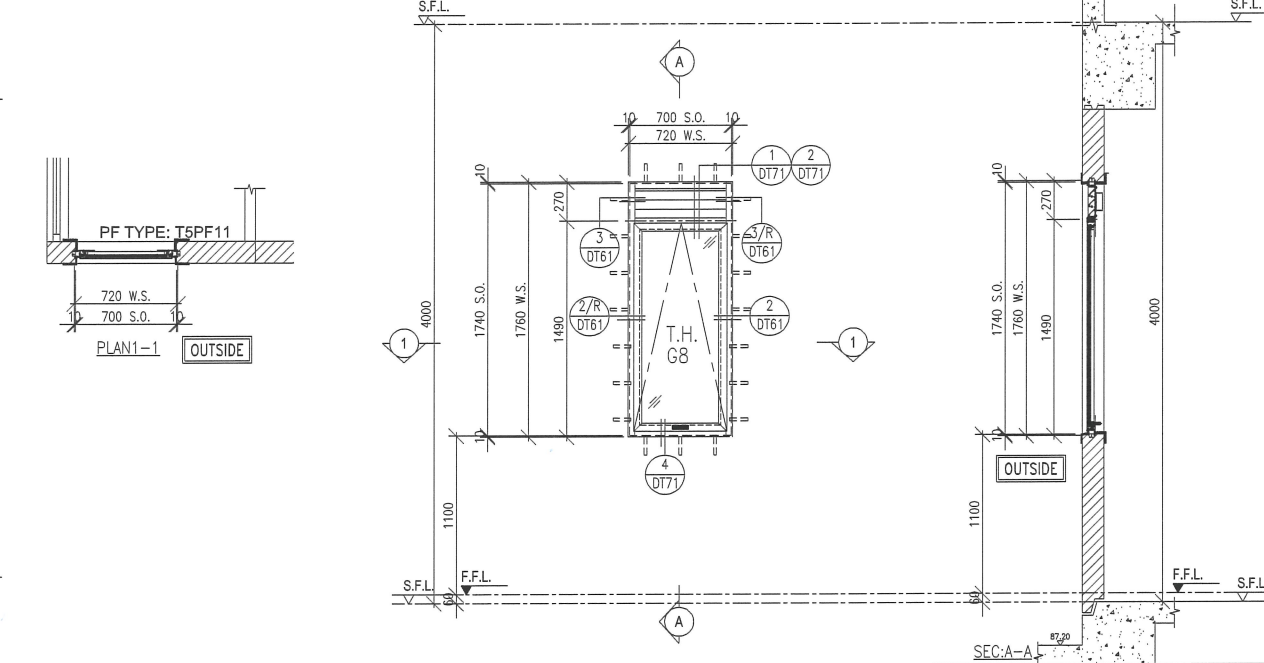
WINDOW MARK	$\frac{W8a/P}{T5}$	27/F 1 no.
-------------	--------------------	---------------

LOCATION: STO AT 27/F (T5)

GLAZING: G2

WINDOW FRAME: 70mm ALUM. WINDOW SECTION (IF 50mm ALUM. WINDOW SECTION LENGHT MAX. 1150 S.O.)

FREE AREA(%)	PROVIDED			REQUIRE	
	S.O.	OPENABLE AREA	GLAZING AREA	OPENABLE AREA	GLAZING AREA
58.1%	1740	0.82	0.70		



WINDOW MARK	$\frac{W7a/R}{T5}$	27/F 1 no.
-------------	--------------------	---------------

LOCATION: STO AT 27/F FLOOR

GLAZING: G2

WINDOW FRAME: 70mm ALUM. WINDOW SECTION

B.D. REF :

ARCHITECT :
WONG TUNG & PARTNERS LIMITED
ARCHITECTS & PLANNERS

STRUCTURAL ENGINEER :
SUN HUNG KAI
ARCHITECTS AND ENGINEERS LTD.
SUN HUNG KAI CENTRE, WANCHAI, HONGKONG
TEL. 28278111 FAX. 28272884

FAÇADE CONSULTANT:
ALPHA CONSULTING LIMITED
Steel Structure & Façade Specialist

MAIN CONTRACTOR :
Sanfield Engineering Construction Ltd.

CLIENT :
SUN HUNG KAI
REAL ESTATE AGENCY LTD.
42/F SUN HUNG KAI CENTRE, WANCHAI, HONGKONG

NOTE :
1. ALL DIMENSIONS ARE IN mm.
2. ALL ELEVATIONS ARE VIEWED FROM OUTSIDE.
3. ALL DIMENSIONS TO BE VERIFIED ON SITE BEFORE FABRICATION.

LEGEND :

(X1) --- DETAIL MARK NO.
(X001) --- REFER SHEET NO.

1. F.F.L. --- FINISHED FLOOR LEVEL
2. S.F.L. --- STRUCTURAL FLOOR LEVEL
3. (R) --- REVERSED DETAIL
4. GLASS LEGEND
G1-8mmHS+12mm AIR GAP+10mmTP I.G.U.
G2-8mmHS+12mm AIR GAP+8mmTP I.G.U.
G2a-8mmHS+12mm AIR GAP+8mmTP+1.52PVB +6mm FEATURED GLASS (I.G.U.)
G8-6mm GREY HS+1.52PVB+6mm CLEAR HS

A	28/03/2021	REVISION SUBJECT TO ARCH.COMMENT	IVAN
NO.	DATE	REVISED	BY

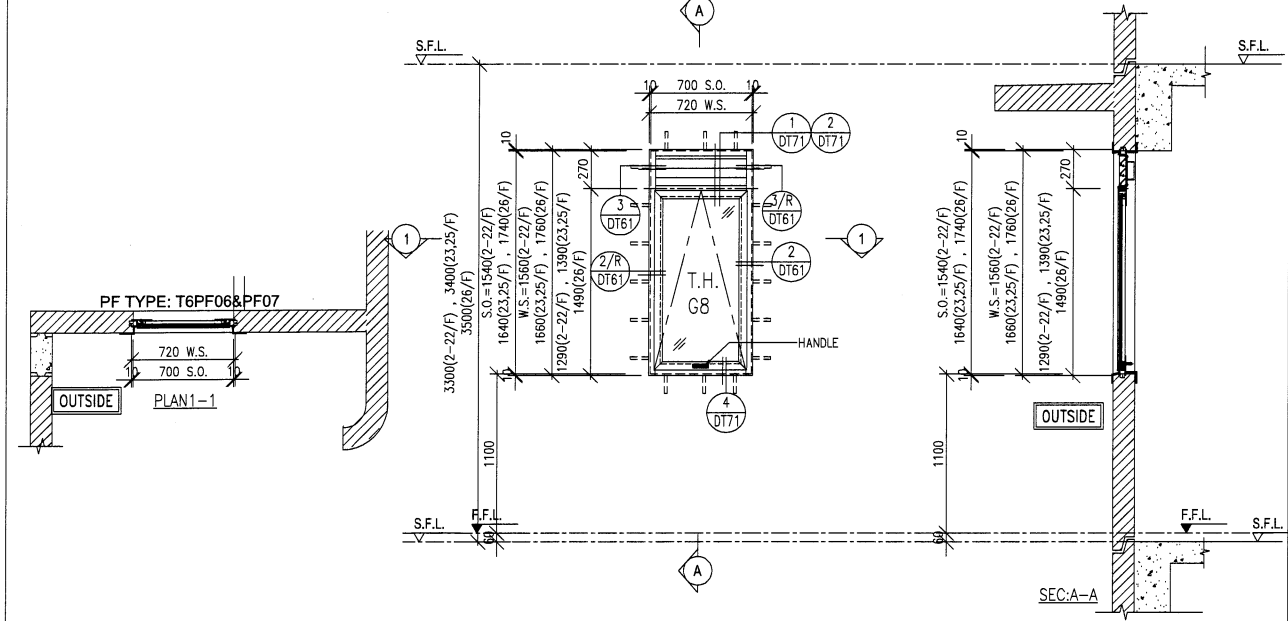
JOB NO. : J-859
PROJECT : PROPOSED RESIDENTIAL / COMMERCIAL DEVELOPMENT AT NKIL NO.6551 KAI TAK AREA 4C, SITE 3 KAI TAK, KOWLOON

TITLE : WINDOW SCHEDULE FOR PRECAST FAÇADE AT TOWER 5

DATE : 18-Nov-21 SCALE : 1:50 (A3)
DRAWN BY : IVAN CHECKED BY :

美特鋁質有限公司
MIDI ALUMINIUM FABRICATOR LTD.
Units 6-8, Sunray Industrial Centre, 1/F
610 Cha Kwo Ling Road, Kowloon
Tel:23489211-4 Fax:(852)27727666
DWG NO. : J859-SD-PW-5102 REV. : A

FREE AREA(%)	PROVIDED			REQUIRE	
	S.O.	OPENABLE AREA	GLAZING AREA	OPENABLE AREA	GLAZING AREA
50%	1540	0.70	0.60		
	1640	0.76	0.65		
	1740	0.82	0.70		



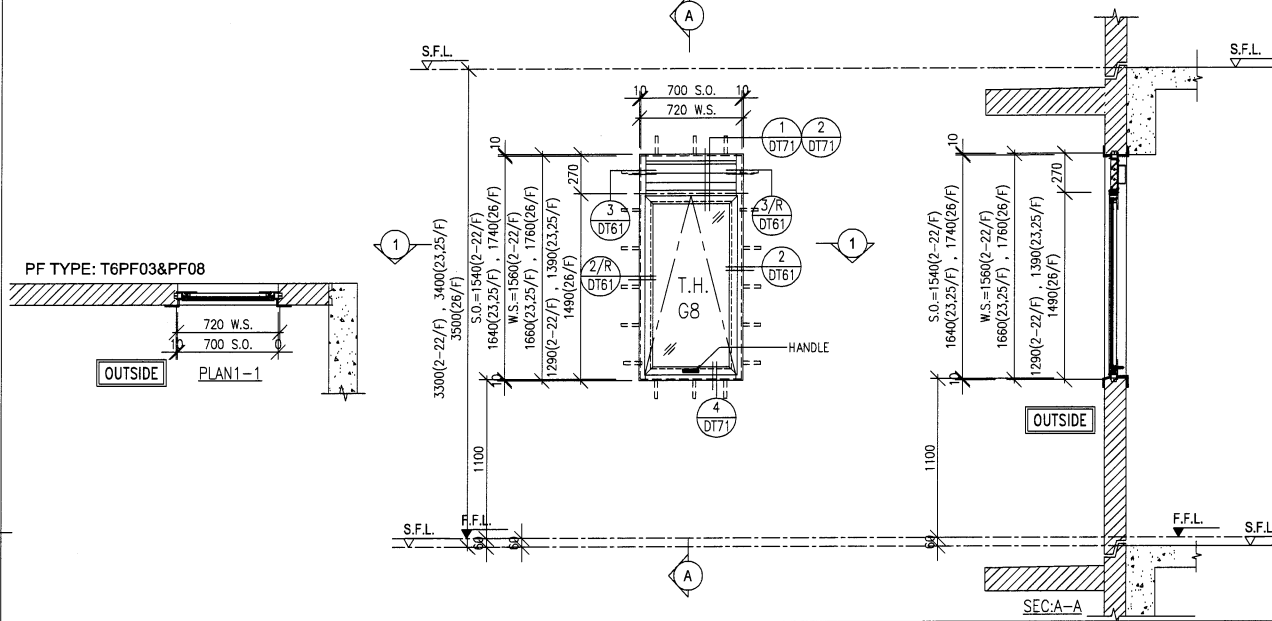
WINDOW MARK	$\frac{W1/P}{T6}$	2/F-22/F 18 nos.	23/F,25/F 2 nos.	26/F 1 no.
-------------	-------------------	---------------------	---------------------	---------------

LOCATION: FLAT A STO AT 2/F TO 26/F FLOOR (T6)
(4,13,14,24/F OMITTED)

GLAZING: G8

WINDOW FRAME: 50mm ALUM. WINDOW SECTION

FREE AREA(%)	PROVIDED			REQUIRE	
	S.O.	OPENABLE AREA	GLAZING AREA	OPENABLE AREA	GLAZING AREA
50%	1540	0.70	0.60		
	1640	0.76	0.65		
	1740	0.82	0.70		



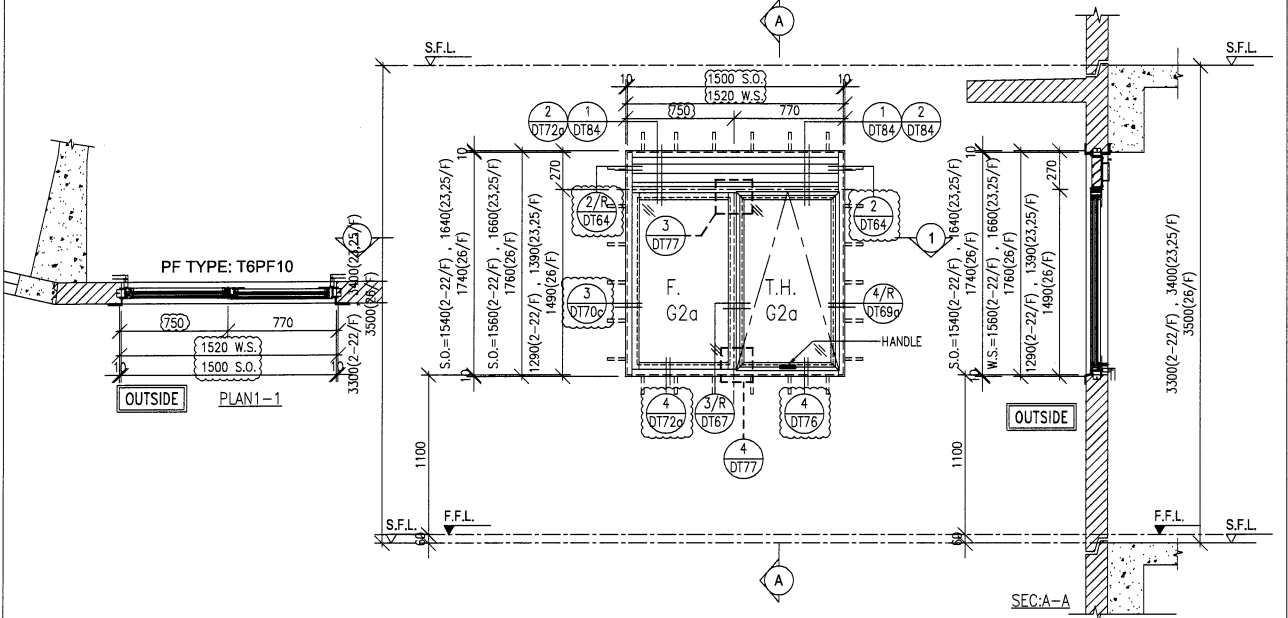
WINDOW MARK	$\frac{W2/P}{T6}$	2/F-22/F 18 nos.	23/F,25/F 2 nos.	26/F 1 no.
-------------	-------------------	---------------------	---------------------	---------------

LOCATION: FLAT B STO AT 2/F TO 26/F FLOOR (T6)
(4,13,14,24/F OMITTED)

GLAZING: G8

WINDOW FRAME: 50mm ALUM. WINDOW SECTION

FREE AREA(%)	PROVIDED			REQUIRE	
	S.O.	OPENABLE AREA	GLAZING AREA	OPENABLE AREA	GLAZING AREA
58.1%	1540	0.787	{1.373}		
	1640	0.854	{1.495}		
	1740	0.92	{1.617}		



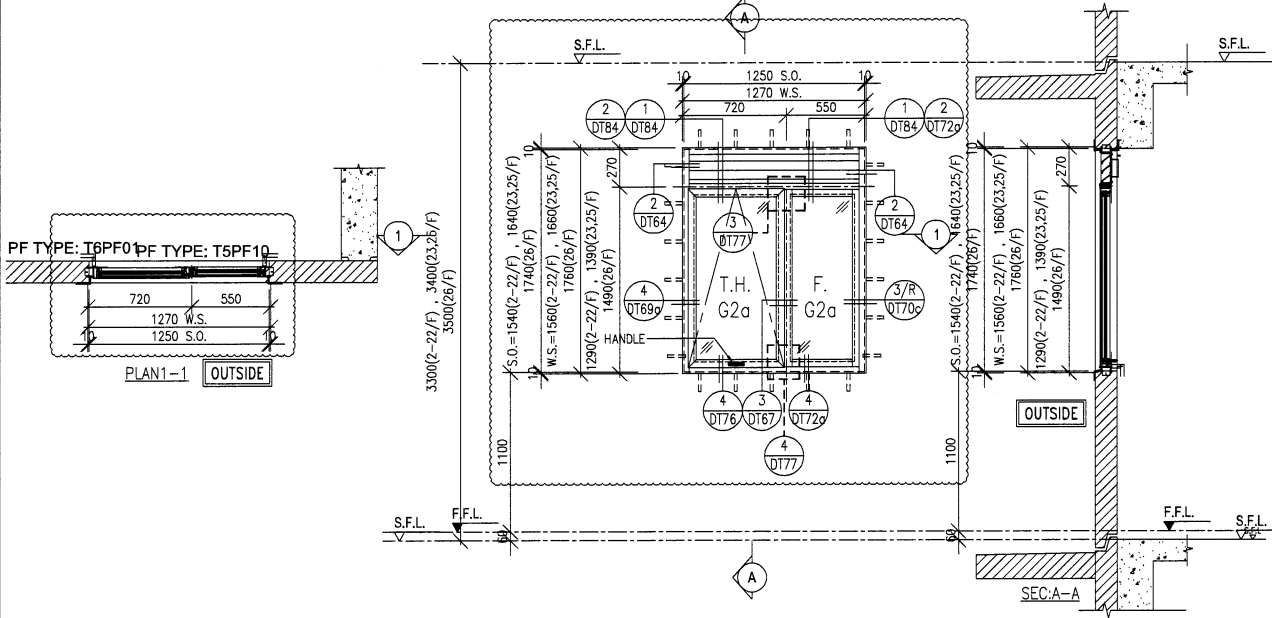
WINDOW MARK	$\frac{W3/P}{T6}$	2/F-22/F 18 nos.	23/F,25/F 2 nos.	26/F 1 no.
-------------	-------------------	---------------------	---------------------	---------------

LOCATION: FLAT A M.BATH AT 2/F TO 26/F FLOOR (T6)
(4,13,14,24/F OMITTED)

GLAZING: G2a

WINDOW FRAME: 70mm ALUM. WINDOW SECTION

FREE AREA(%)	PROVIDED			REQUIRE	
	S.O.	OPENABLE AREA	GLAZING AREA	OPENABLE AREA	GLAZING AREA
58.1%	1540	{0.728}	{1.092}		
	1640	{0.789}	{1.189}		
	1740	{0.851}	{1.286}		



WINDOW MARK	$\frac{W4/P}{T6}$	2/F-22/F 18 nos.	23/F,25/F 2 nos.	26/F 1 no.
-------------	-------------------	---------------------	---------------------	---------------

LOCATION: FLAT B M.BATH AT 2/F TO 26/F FLOOR (T6)
(4,13,14,24/F OMITTED)

GLAZING: G2a

WINDOW FRAME: 70mm ALUM. WINDOW SECTION

B.D. REF :

ARCHITECT :
WT WONG TUNG & PARTNERS LIMITED
ARCHITECTS & PLANNERS

STRUCTURAL ENGINEER :
SUN HUNG KAI
ARCHITECTS AND ENGINEERS LTD.
SUN HUNG KAI CENTRE, WANCHAI, HONGKONG
TEL. 28278111 FAX. 28272884

FAÇADE CONSULTANT:
ALPHA CONSULTING LIMITED
Steel Structure & Façade Specialist

MAIN CONTRACTOR :
Sanfield Engineering Construction Ltd.

CLIENT :
SUN HUNG KAI
REAL ESTATE AGENCY LTD.
42/F SUN HUNG KAI CENTRE, WANCHAI, HONGKONG

NOTE :
1. ALL DIMENSIONS ARE IN mm.
2. ALL ELEVATIONS ARE VIEWED FROM OUTSIDE.
3. ALL DIMENSIONS TO BE VERIFIED ON SITE BEFORE FABRICATION.

LEGEND :
X1 — DETAIL MARK NO.
X001 — REFER SHEET NO.
1. F.F.L. — FINISHED FLOOR LEVEL
2. S.F.L. — STRUCTURAL FLOOR LEVEL
3. (R) — REVERSED DETAIL
4. GLASS LEGEND
G1—8mmHS+12mm AIR GAP+10mmTP I.G.U.
G2—8mmHS+12mm AIR GAP+8mmTP I.G.U.
G2a—8mmHS+12mm AIR GAP+8mmTP+1.52PVB +6mm FEATURED GLASS (I.G.U.)
G8—6mm GREY HS+1.52PVB+6mm CLEAR HS

A	28/03/2021	REVISION SUBJECT TO ARCH.COMMENT	IVAN
NO.	DATE	REVISED	BY

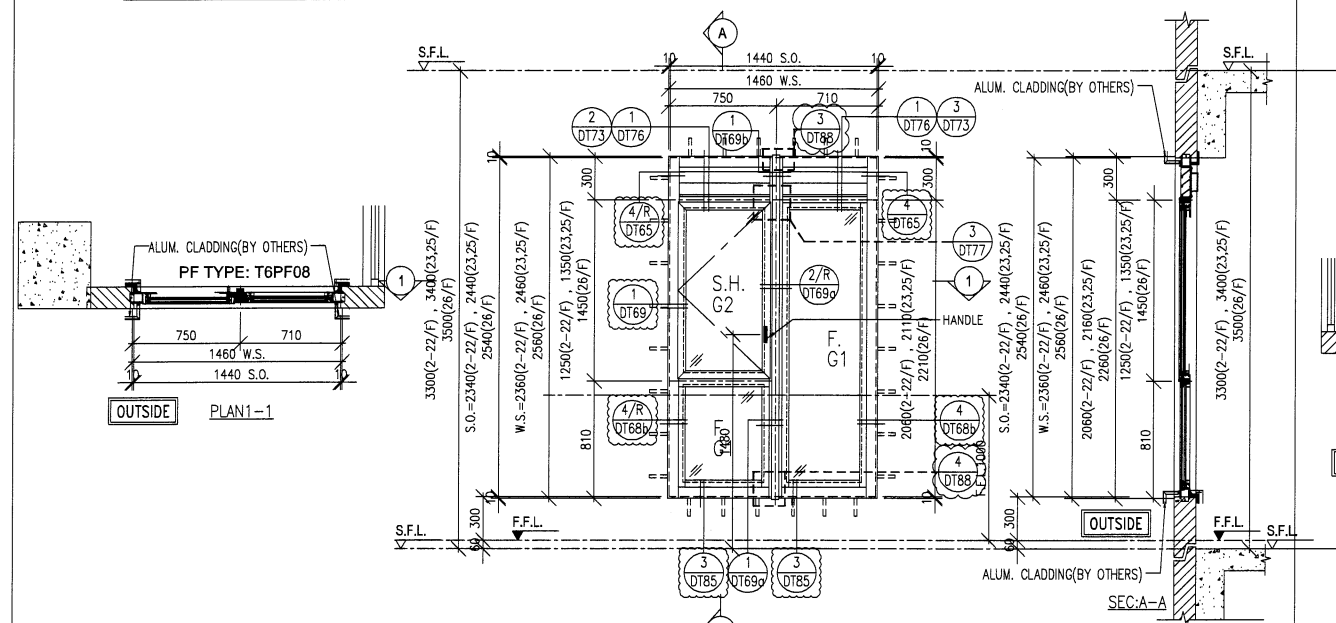
JOB NO. : J-859
PROJECT : PROPOSED RESIDENTIAL / COMMERCIAL DEVELOPMENT AT NKIL NO.6551 KAI TAK AREA 4C, SITE 3 KAI TAK, KOWLOON

TITLE : WINDOW SCHEDULE FOR PRECAST FAÇADE AT TOWER 6

DATE : 18-Nov-21 SCALE : 1:50 (A3)
DRAWN BY : IVAN CHECKED BY :

美特鋁質有限公司
MIDI ALUMINIUM FABRICATOR LTD.
Units 6-8, Sunray Industrial Centre, 1/F
610 Cha Kwo Ling Road, Kowloon
Tel:23489211-4 Fax:(852)2727666
DWG NO. : J859-SD-PW-6101 REV. : A

FREE AREA(%)	PROVIDED			REQUIRE	
	S.O.	OPENABLE AREA	GLAZING AREA	OPENABLE AREA	GLAZING AREA
58.1%	2340	0.69	1.25		
	2440	0.75	1.35		
	2540	0.81	1.45		



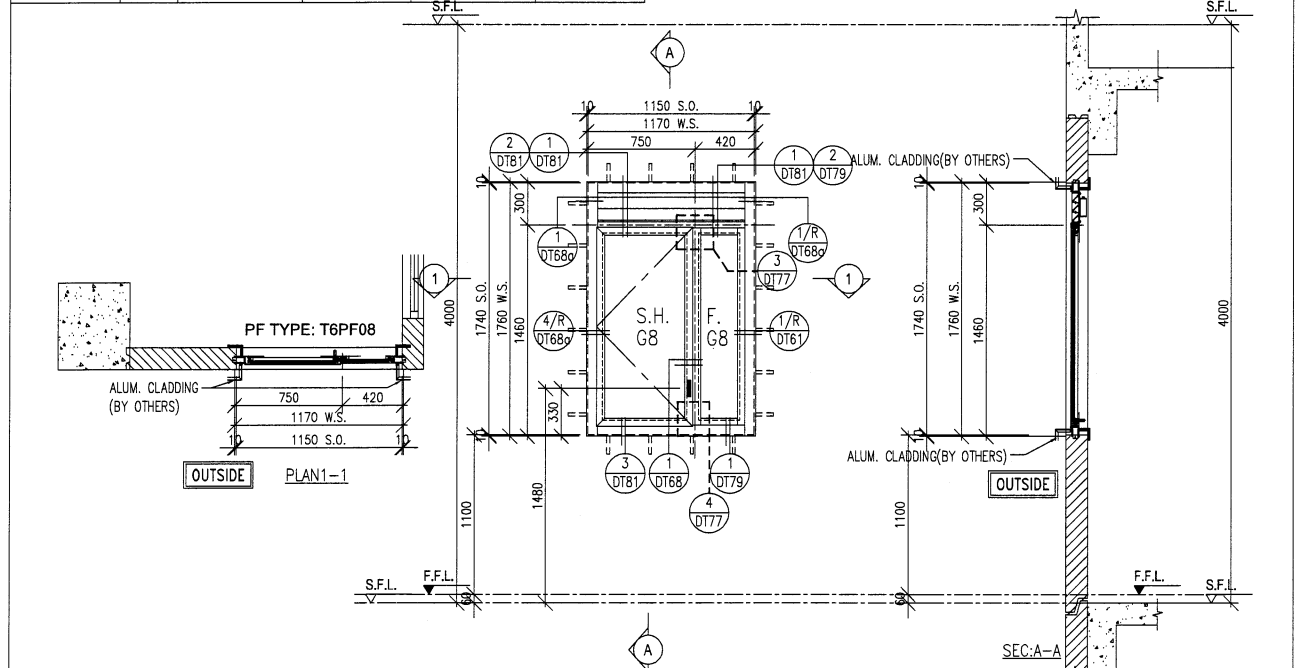
WINDOW MARK	$\frac{W5/F}{T6}$	2/F-22/F 18 nos.	23/F,25/F 2 nos.	26/F 1 no.
-------------	-------------------	---------------------	---------------------	---------------

LOCATION: FLAT A KIT AT 2/F TO 26/F FLOOR (T6)
(4,13,14,24/F OMITTED)

GLAZING: G1, G2

WINDOW FRAME: 70mm ALUM. WINDOW SECTION

FREE AREA(%)	PROVIDED			REQUIRE	
	S.O.	OPENABLE AREA	GLAZING AREA	OPENABLE AREA	GLAZING AREA
50.1%	1740	0.81	1.03		



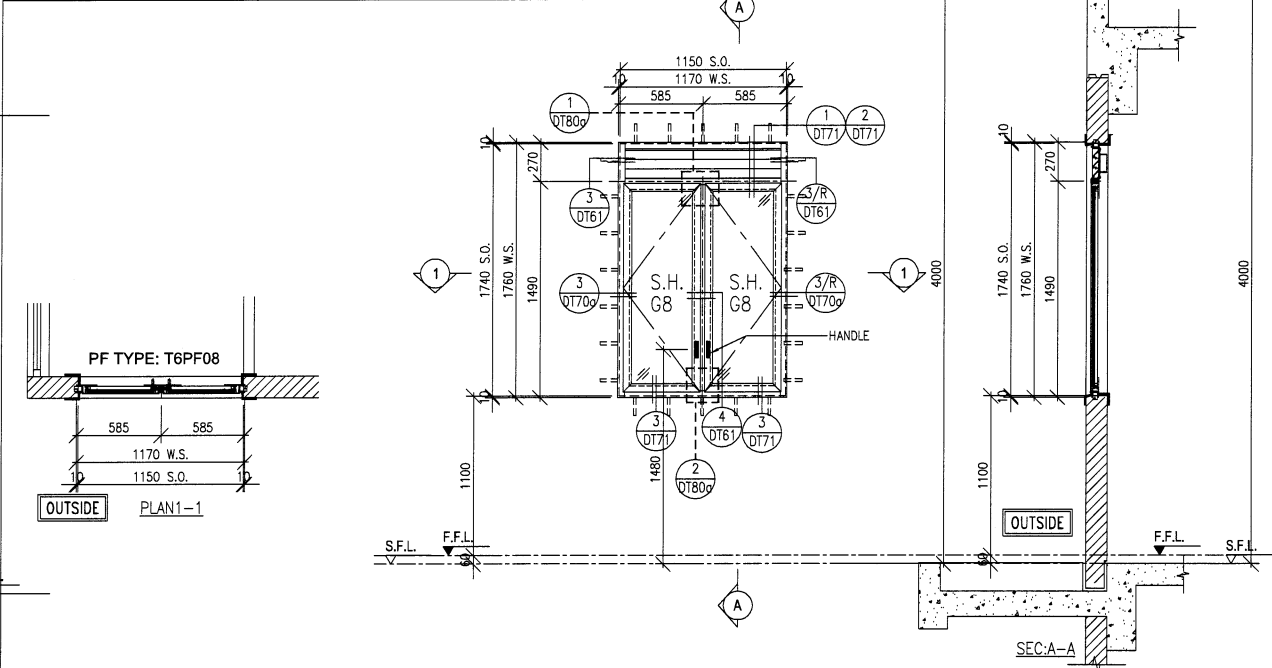
WINDOW MARK	$\frac{W11/R}{T6}$	27/F 1 no.		
-------------	--------------------	---------------	--	--

LOCATION: UTR AT 27/F FLOOR

GLAZING: G2

WINDOW FRAME: 70mm ALUM. WINDOW SECTION

FREE AREA(%)	PROVIDED			REQUIRE	
	S.O.	OPENABLE AREA	GLAZING AREA	OPENABLE AREA	GLAZING AREA
50%	1740	1.33	1.11		



WINDOW MARK	$\frac{W10/R}{T6}$	27/F 1 no.		
-------------	--------------------	---------------	--	--

LOCATION: UTR AT 27/F FLOOR

GLAZING: G8

WINDOW FRAME: 50mm ALUM. WINDOW SECTION

B.D. REF :

ARCHITECT :
WT
WONG TUNG & PARTNERS LIMITED
ARCHITECTS & PLANNERS

STRUCTURAL ENGINEER :
SUN HUNG KAI
ARCHITECTS AND ENGINEERS LTD.
SUN HUNG KAI CENTRE, WANCHAI, HONGKONG
TEL. 28278111 FAX. 28272884

FAÇADE CONSULTANT:
ALPHA CONSULTING LIMITED
Steel Structure & Façade Specialist

MAIN CONTRACTOR :
Sanfield Engineering Construction Ltd.

CLIENT :
SUN HUNG KAI
REAL ESTATE AGENCY LTD.
42/F SUN HUNG KAI CENTRE, WANCHAI, HONGKONG

NOTE :
1. ALL DIMENSIONS ARE IN mm.
2. ALL ELEVATIONS ARE VIEWED FROM OUTSIDE.
3. ALL DIMENSIONS TO BE VERIFIED ON SITE BEFORE FABRICATION.

LEGEND :
X1 — DETAIL MARK NO.
X001 — REFER SHEET NO.
1. F.F.L. — FINISHED FLOOR LEVEL
2. S.F.L. — STRUCTURAL FLOOR LEVEL
3. (R) — REVERSED DETAIL
4. GLASS LEGEND
G1 — 8mmHS+12mm AIR GAP+10mmTP I.G.U.
G2 — 8mmHS+12mm AIR GAP+8mmTP I.G.U.
G2a — 8mmHS+12mm AIR GAP+8mmTP+1.52PVB +6mm FEATURED GLASS (I.G.U.)
G8 — 6mm GREY HS+1.52PVB+6mm CLEAR HS

A	28/03/2021	REVISION SUBJECT TO ARCH.COMMENT	IVAN
NO.	DATE	REVISED	BY

JOB NO. : J-859
PROJECT : PROPOSED RESIDENTIAL / COMMERCIAL DEVELOPMENT AT NKIL NO.6551 KAI TAK AREA 4C, SITE 3 KAI TAK, KOWLOON

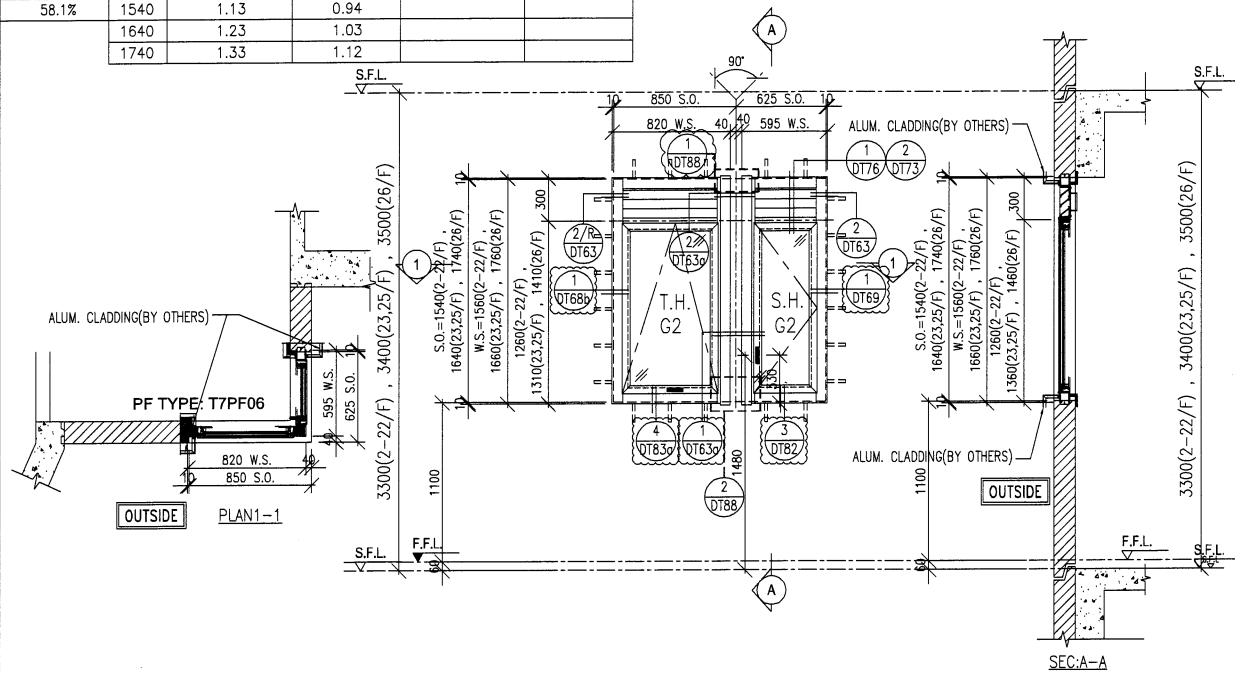
TITLE : WINDOW SCHEDULE FOR PRECAST FAÇADE AT TOWER 6

DATE : 18-Nov-21 SCALE : 1:50 (A3)
DRAWN BY : IVAN CHECKED BY :

英特鋁質有限公司
MIDI ALUMINIUM FABRICATOR LTD.
Units 6-8, Sunray Industrial Centre, 1/F
610 Cha Kwo Ling Road, Kowloon
Tel:23489211-4 Fax:(852)2727666

DWG NO. : J859-SD-PW-6102 REV. : A

FREE AREA(%)	PROVIDED			REQUIRE	
	S.O.	OPENABLE AREA	GLAZING AREA	OPENABLE AREA	GLAZING AREA
58.1%	1540	1.13	0.94		
	1640	1.23	1.03		
	1740	1.33	1.12		



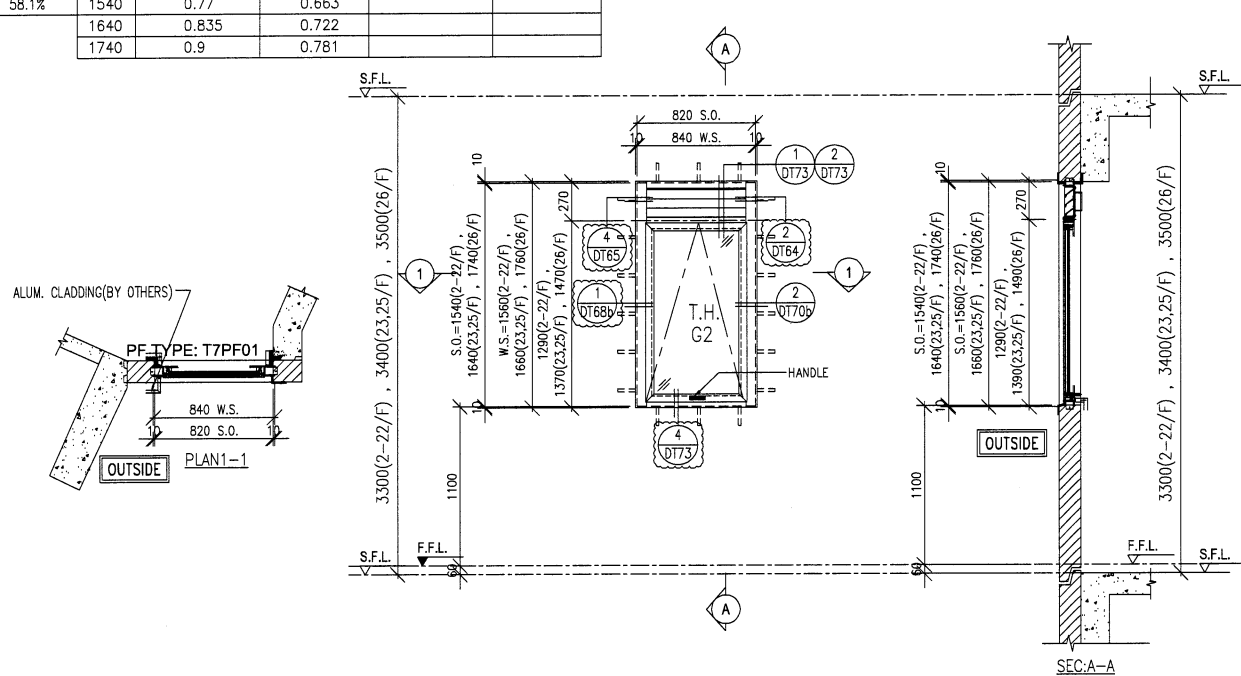
WINDOW MARK	$\frac{W1/P}{T7}$	2/F-22/F 18 nos.	23/F,25/F 2 nos.	26/F 1 no.
-------------	-------------------	---------------------	---------------------	---------------

LOCATION: FLAT A KIT AT 2/F TO 26/F FLOOR (T7)
(4,13,14,24/F OMITTED)

GLAZING: G2

WINDOW FRAME: 70mm ALUM. WINDOW SECTION

FREE AREA(%)	PROVIDED			REQUIRE	
	S.O.	OPENABLE AREA	GLAZING AREA	OPENABLE AREA	GLAZING AREA
58.1%	1540	0.77	0.663		
	1640	0.835	0.722		
	1740	0.9	0.781		



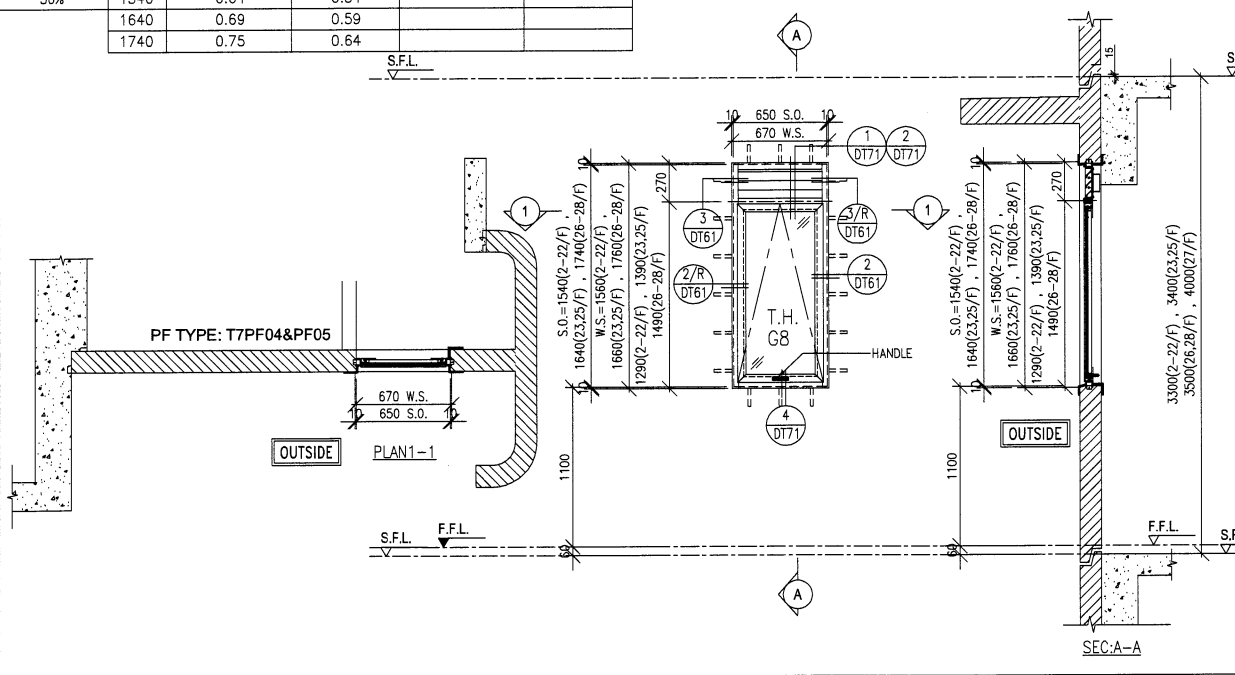
WINDOW MARK	$\frac{W2/P}{T7}$	2/F-22/F 18 nos.	23/F,25/F 2 nos.	26/F 1 no.
-------------	-------------------	---------------------	---------------------	---------------

LOCATION: FLAT B KIT AT 2/F TO 26/F FLOOR (T7)
(4,13,14,24/F OMITTED)

GLAZING: G2

WINDOW FRAME: 70mm ALUM. WINDOW SECTION

FREE AREA(%)	PROVIDED			REQUIRE	
	S.O.	OPENABLE AREA	GLAZING AREA	OPENABLE AREA	GLAZING AREA
50%	1540	0.64	0.54		
	1640	0.69	0.59		
	1740	0.75	0.64		



WINDOW MARK	$\frac{W4/P}{T7}$	2/F-22/F 18 nos.	23/F,25/F 2 nos.	26/F-28/F 3 nos.
-------------	-------------------	---------------------	---------------------	---------------------

LOCATION: WMC AT 2/F TO 28/F FLOOR (T7)
(4,13,14,24/F OMITTED)

GLAZING: G8

WINDOW FRAME: 50mm ALUM. WINDOW SECTION

B.D. REF :

ARCHITECT :
WT WONG TUNG & PARTNERS LIMITED
ARCHITECTS & PLANNERS

STRUCTURAL ENGINEER :
SHK SUN HUNG KAI
ARCHITECTS AND ENGINEERS LTD.
SUN HUNG KAI CENTRE, WANCHAI, HONGKONG
TEL: 28278111 FAX: 28272884

FAÇADE CONSULTANT:
α ALPHA CONSULTING LIMITED
Steel Structure & Façade Specialist

MAIN CONTRACTOR :
Sanfield Engineering Construction Ltd.

CLIENT :
SK SUN HUNG KAI
REAL ESTATE AGENCY LTD.
42/F SUN HUNG KAI CENTRE, WANCHAI, HONGKONG

NOTE:
1. ALL DIMENSIONS ARE IN mm.
2. ALL ELEVATIONS ARE VIEWED FROM OUTSIDE.
3. ALL DIMENSIONS TO BE VERIFIED ON SITE BEFORE FABRICATION.

LEGEND:
X1 — DETAIL MARK NO.
X001 — REFER SHEET NO.
1. F.F.L. — FINISHED FLOOR LEVEL
2. S.F.L. — STRUCTURAL FLOOR LEVEL
3. (R) — REVERSED DETAIL
4. GLASS LEGEND
G1 — 8mmHS+12mm AIR GAP+10mmTP I.G.U.
G2 — 8mmHS+12mm AIR GAP+8mmTP I.G.U.
G2a — 8mmHS+12mm AIR GAP+8mmTP+1.52PVB +6mm FEATURED GLASS (I.G.U.)
G8 — 6mm GREY HS+1.52PVB+6mm CLEAR HS

A	28/03/2021	REVISION SUBJECT TO ARCH.COMMENT	IVAN
NO.	DATE	REVISED	BY

JOB NO. : J-859
PROJECT : PROPOSED RESIDENTIAL / COMMERCIAL DEVELOPMENT AT NKIL NO.6551 KAI TAK AREA 4C, SITE 3 KAI TAK, KOWLOON

TITLE : WINDOW SCHEDULE FOR PRECAST FAÇADE AT TOWER 7

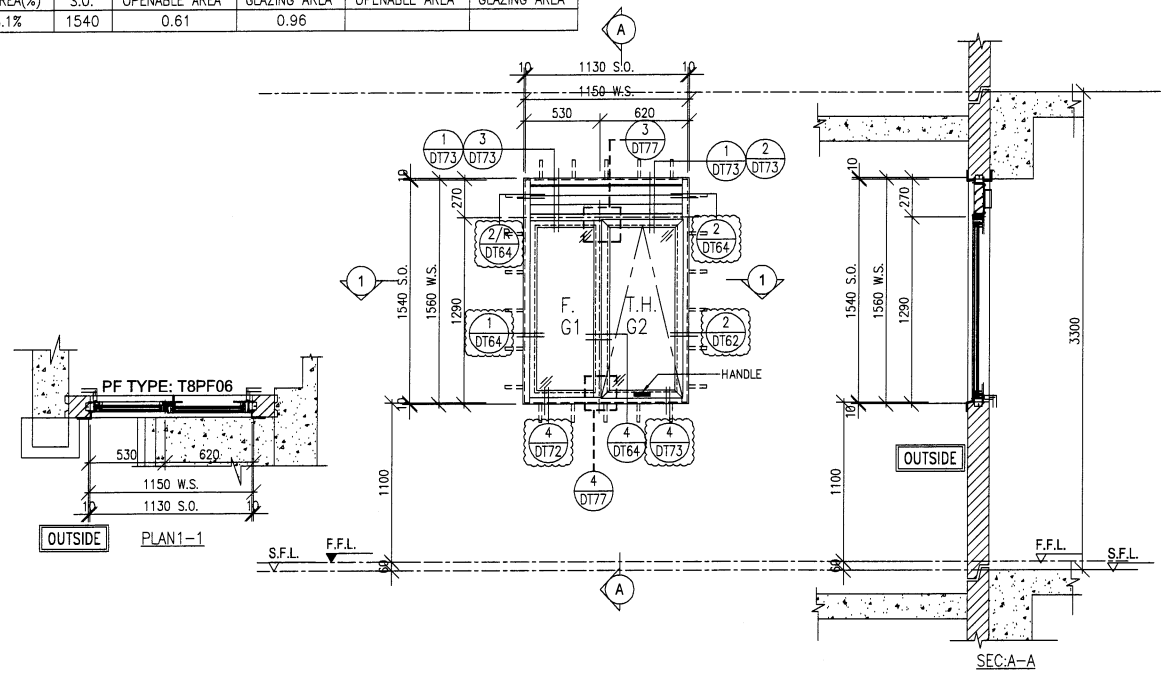
DATE : 13-Nov-21 SCALE : 1:50 (A3)

DRAWN BY : IVAN CHECKED BY :

英特鋁質有限公司
MIDI ALUMINUM FABRICATOR LTD.
Units 6-8, Sunray Industrial Centre, 1/F
510 Cha Kwo Ling Road, Kowloon
Tel: 23489211-4 Fax: (852) 27727666

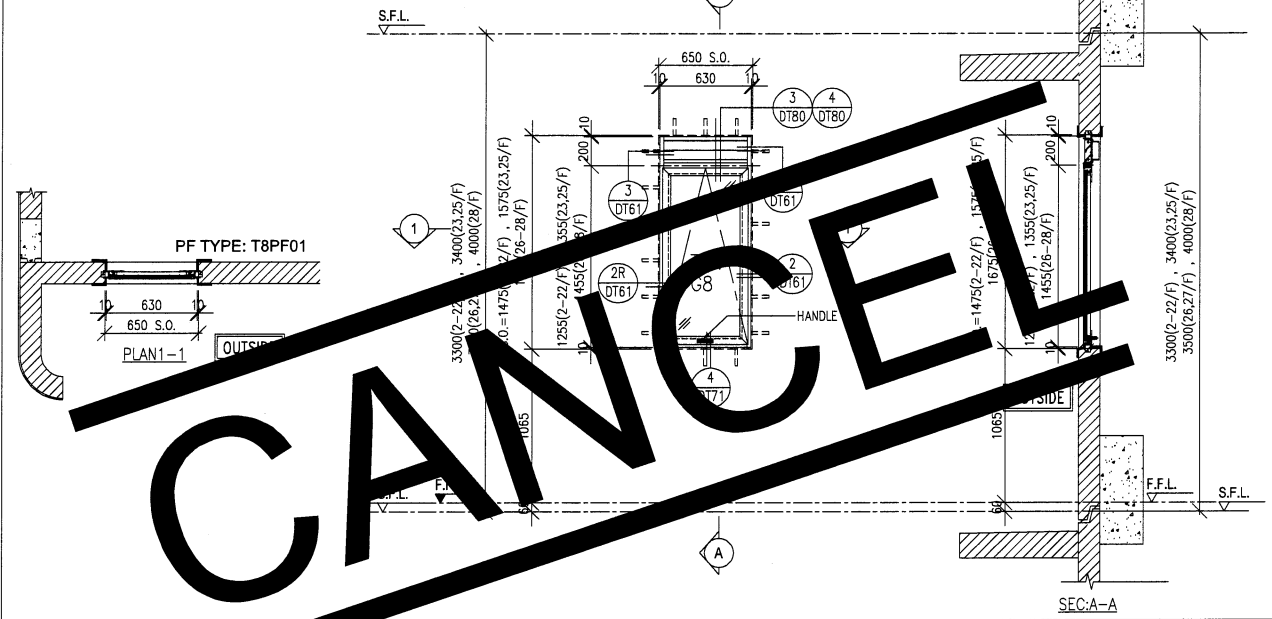
DWG NO. : J859-SD-PW-7101 REV. : A

PROVIDED			REQUIRE		
FREE AREA(%)	S.O.	OPENABLE AREA	GLAZING AREA	OPENABLE AREA	GLAZING AREA
58.1%	1540	0.61	0.96		



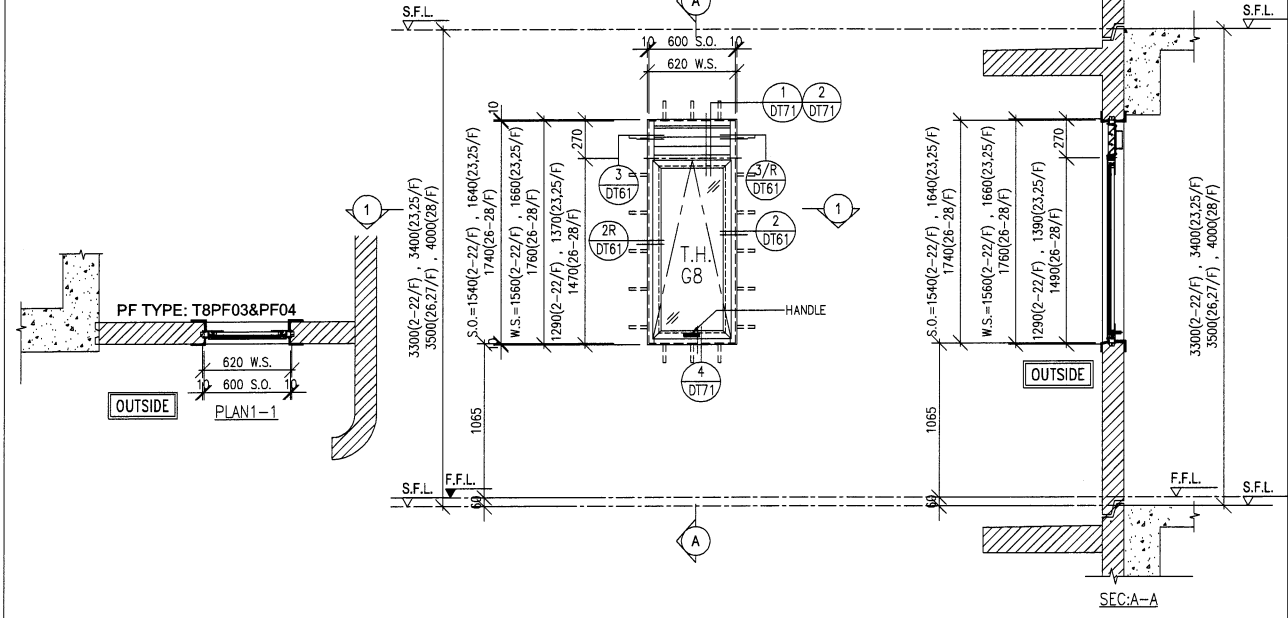
WINDOW MARK	2/F-8/F 6 nos.
LOCATION	FLAT A KIT AT 2/F TO 8/F FLOOR (T8) (4/F OMITTED)
GLAZING	G1,G2
WINDOW FRAME	70mm ALUM. WINDOW SECTION

PROVIDED			REQUIRE		
FREE AREA(%)	S.O.	OPENABLE AREA	GLAZING AREA	OPENABLE AREA	GLAZING AREA
50%	1475	0.63	0.53		
	1575	0.69	0.58		
	1675	0.74	0.63		



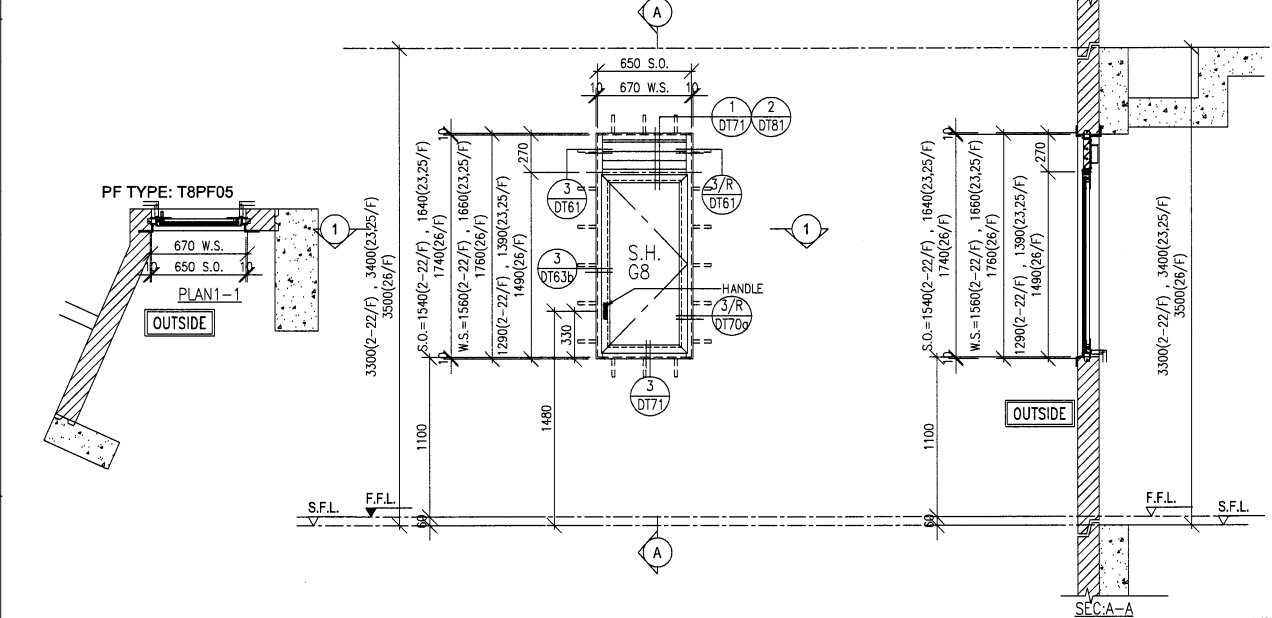
WINDOW MARK	2/F-22/F 23/F,25/F 26/F-28/F 18 nos. 2 nos. 3 nos.
LOCATION	ST-2 AT 2/F TO 28/F FLOOR (T8) (4,13,14,24/F OMITTED)
GLAZING	G8
WINDOW FRAME	50mm ALUM. WINDOW SECTION

PROVIDED			REQUIRE		
FREE AREA(%)	S.O.	OPENABLE AREA	GLAZING AREA	OPENABLE AREA	GLAZING AREA
50%	1540	0.58	0.48		
	1640	0.63	0.53		
	1740	0.68	0.57		



WINDOW MARK	2/F-22/F 23/F,25/F 26/F-28/F 18 nos. 2 nos. 3 nos.
LOCATION	EMR AT 2/F TO 28/F FLOOR (T8) (4,13,14,24/F OMITTED)
GLAZING	G8
WINDOW FRAME	50mm ALUM. WINDOW SECTION

PROVIDED			REQUIRE		
FREE AREA(%)	S.O.	OPENABLE AREA	GLAZING AREA	OPENABLE AREA	GLAZING AREA
50%	1540	0.64	0.54		
	1640	0.70	0.59		
	1740	0.75	0.64		



WINDOW MARK	2/F-22/F 23/F,25/F 26/F 18 nos. 2 nos. 1 nos.
LOCATION	FLAT A (BATH AT 2/F TO 8/F) (BR2 AT 9/F TO 26/F) , (T8) (4,13,14,24/F OMITTED)
GLAZING	G8
WINDOW FRAME	50mm ALUM. WINDOW SECTION

B.D. REF :

ARCHITECT :
WT WONG TUNG & PARTNERS LIMITED
ARCHITECTS & PLANNERS

STRUCTURAL ENGINEER :
SUN HUNG KAI
ARCHITECTS AND ENGINEERS LTD.
SUN HUNG KAI CENTRE, WANCHAI, HONGKONG
TEL. 28278111 FAX. 28272884

FAÇADE CONSULTANT:
α ALPHA CONSULTING LIMITED
Steel Structure & Façade Specialist

MAIN CONTRACTOR :
Sanfield Engineering
Construction Ltd.

CLIENT :
SUN HUNG KAI
REAL ESTATE AGENCY LTD.
42/F SUN HUNG KAI CENTRE, WANCHAI, HONGKONG

NOTE :
1. ALL DIMENSIONS ARE IN mm.
2. ALL ELEVATIONS ARE VIEWED FROM OUTSIDE.
3. ALL DIMENSIONS TO BE VERIFIED ON SITE BEFORE FABRICATION.

LEGEND :
X1 - DETAIL MARK NO.
X001 - REFER SHEET NO.
1. F.F.L. -- FINISHED FLOOR LEVEL
2. S.F.L. -- STRUCTURAL FLOOR LEVEL
3. (R) -- REVERSED DETAIL
4. GLASS LEGEND
G1-8mmHS+12mm AIR GAP+10mmTP I.G.U.
G2-8mmHS+12mm AIR GAP+8mmTP I.G.U.
G2a-8mmHS+12mm AIR GAP+8mmTP+1.52PVB +6mm FEATURED GLASS (I.G.U.)
G8-6mm GREY HS+1.52PVB+6mm CLEAR HS

A	28/03/2021	REVISION SUBJECT TO ARCH.COMMENT	IVAN
NO.	DATE	REVISED	BY

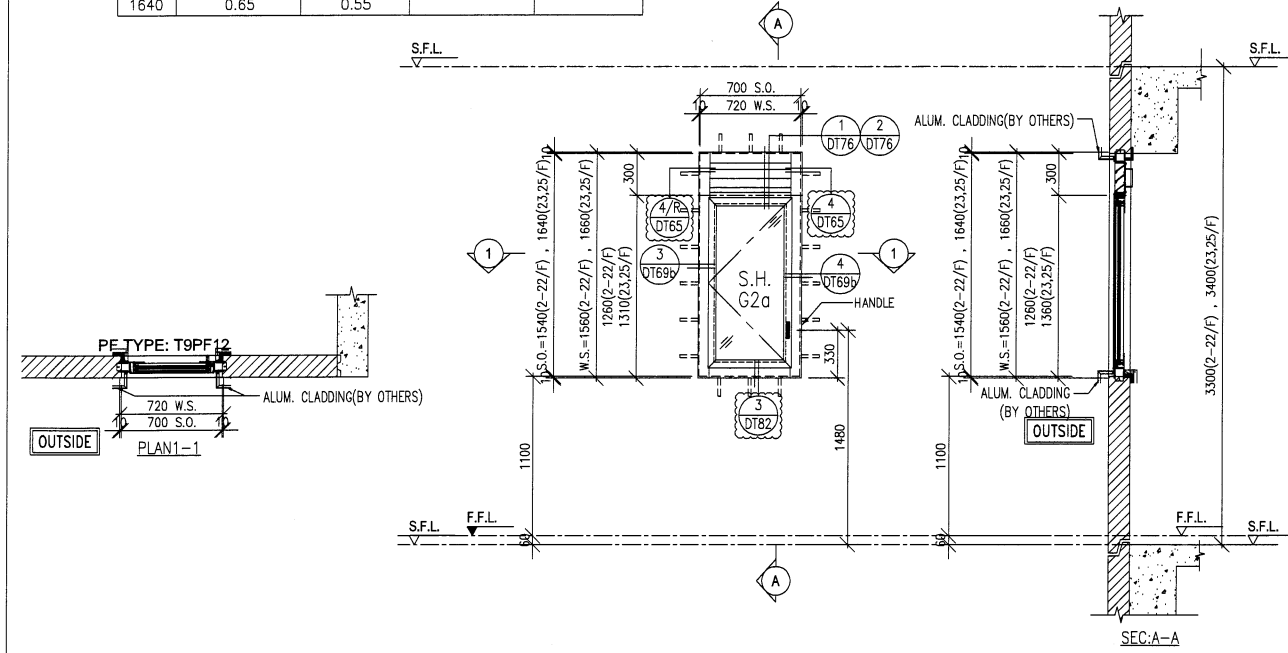
JOB NO. : J-859
PROJECT : PROPOSED RESIDENTIAL / COMMERCIAL DEVELOPMENT AT NKIL NO.6551 KAI TAK AREA 4C, SITE 3 KAI TAK, KOWLOON

TITLE : WINDOW SCHEDULE FOR PRECAST FAÇADE AT TOWER 8

DATE : 13-Nov-21 SCALE : 1:50 (A3)
DRAWN BY : IVAN CHECKED BY :

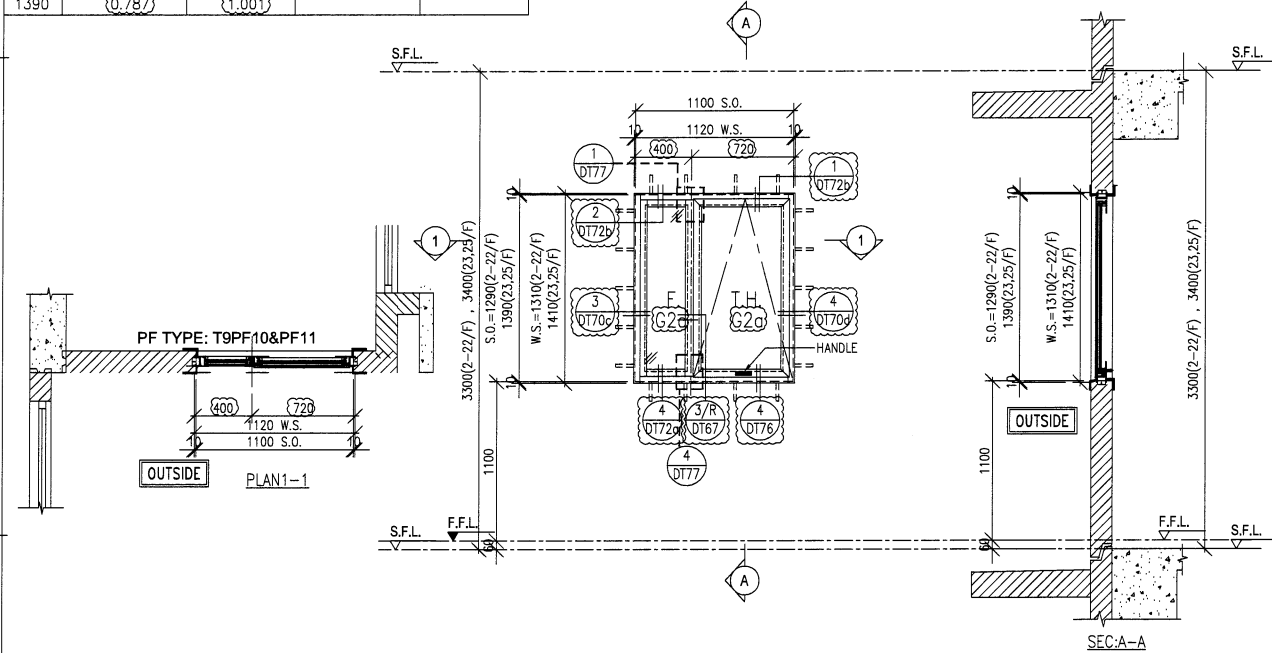
美特鋁質有限公司
MIDI ALUMINIUM FABRICATOR LTD.
Units 6-8, Sunray Industrial Centre, 1/F
610 Cha Kwo Ling Road, Kowloon
Tel:23489211-4 Fax:(852)2727666
DWG NO. : J859-SD-PW-8101 REV. : A

FREE AREA(%)	PROVIDED			REQUIRE	
	S.O.	OPENABLE AREA	GLAZING AREA	OPENABLE AREA	GLAZING AREA
58.1%	1540	0.60	0.50		
	1640	0.65	0.55		



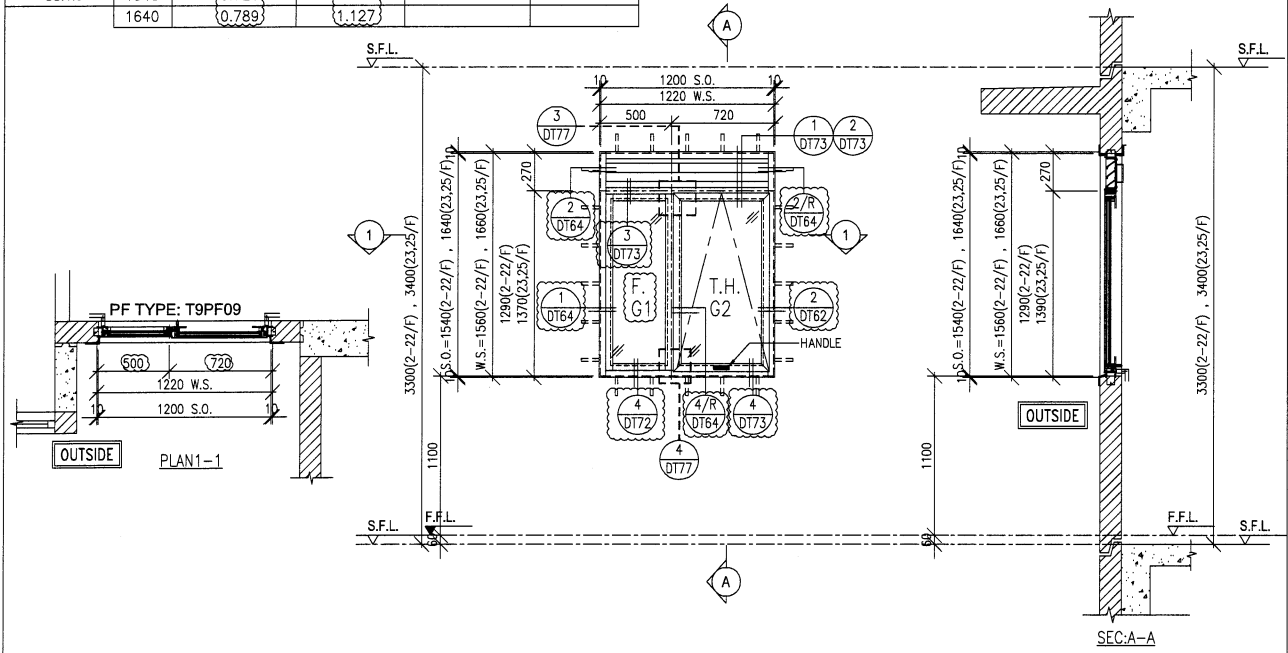
WINDOW MARK	$\frac{W1/P}{T9}$	2/F-22/F 18 nos.	23/F,25/F 2 nos.
LOCATION	FLAT B M.BATH AT 2/F TO 25/F FLOOR (T9) (4,13,14,24/F OMITTED)		
GLAZING	G2a		
WINDOW FRAME	70mm ALUM. WINDOW SECTION		

FREE AREA(%)	PROVIDED			REQUIRE	
	S.O.	OPENABLE AREA	GLAZING AREA	OPENABLE AREA	GLAZING AREA
1290	{0.725}	{0.919}			
1390	{0.787}	{1.001}			



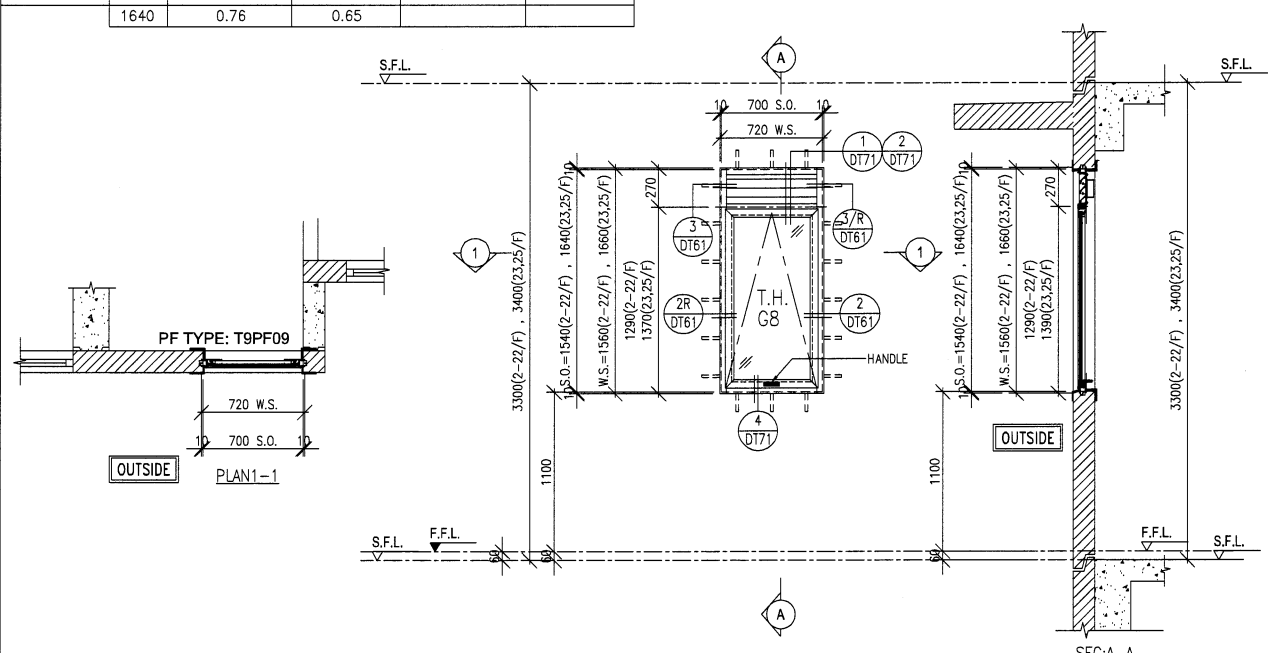
WINDOW MARK	$\frac{W3/P}{T9}$	2/F-22/F 18 nos.	23/F,25/F 2 nos.
LOCATION	FLAT B LIV/DIN AT 2/F TO 25/F FLOOR (T9) (4,13,14,24/F OMITTED)		
GLAZING	G2a		
WINDOW FRAME	70mm ALUM. WINDOW SECTION		

FREE AREA(%)	PROVIDED			REQUIRE	
	S.O.	OPENABLE AREA	GLAZING AREA	OPENABLE AREA	GLAZING AREA
58.1%	1540	{0.728}	{1.035}		
	1640	{0.789}	{1.127}		



WINDOW MARK	$\frac{W4/P}{T9}$	2/F-22/F 18 nos.	23/F,25/F 2 nos.
LOCATION	FLAT B KIT AT 2/F TO 25/F FLOOR (T9) (4,13,14,24/F OMITTED)		
GLAZING	G2		
WINDOW FRAME	70mm ALUM. WINDOW SECTION		

FREE AREA(%)	PROVIDED			REQUIRE	
	S.O.	OPENABLE AREA	GLAZING AREA	OPENABLE AREA	GLAZING AREA
50%	1540	0.70	0.60		
	1640	0.76	0.65		



WINDOW MARK	$\frac{W5/P}{T9}$	2/F-22/F 18 nos.	23/F,25/F 2 nos.
LOCATION	MAID ROOM AT 2/F TO 25/F FLOOR (T9) (4,13,14,24/F OMITTED)		
GLAZING	G8		
WINDOW FRAME	50mm ALUM. WINDOW SECTION		

B.D. REF :

ARCHITECT :
WONG TUNG & PARTNERS LIMITED
ARCHITECTS & PLANNERS

STRUCTURAL ENGINEER :
SUN HUNG KAI
ARCHITECTS AND ENGINEERS LTD.
SUN HUNG KAI CENTRE, WANCHAI, HONGKONG
TEL. 28278111 FAX. 28272884

FAÇADE CONSULTANT:
ALPHA CONSULTING LIMITED
Steel Structure & Façade Specialist

MAIN CONTRACTOR :
Sanfield Engineering Construction Ltd.

CLIENT :
SUN HUNG KAI
REAL ESTATE AGENCY LTD.
42/F SUN HUNG KAI CENTRE, WANCHAI, HONGKONG

- NOTE :
1. ALL DIMENSIONS ARE IN mm.
 2. ALL ELEVATIONS ARE VIEWED FROM OUTSIDE.
 3. ALL DIMENSIONS TO BE VERIFIED ON SITE BEFORE FABRICATION.

- LEGEND :
- (X1) --- DETAIL MARK NO.
 - (X001) --- REFER SHEET NO.
 - 1. F.F.L. --- FINISHED FLOOR LEVEL
 - 2. S.F.L. --- STRUCTURAL FLOOR LEVEL
 - 3. (R) --- REVERSED DETAIL
 - 4. GLASS LEGEND
 - G1-8mmHS+12mm AIR GAP+10mmTP I.G.U.
 - G2-8mmHS+12mm AIR GAP+8mmTP I.G.U.
 - G2a-8mmHS+12mm AIR GAP+8mmTP+1.52PVB +6mm FEATURED GLASS (I.G.U.)
 - G8-6mm GREY HS+1.52PVB+6mm CLEAR HS

A	28/03/2021	REVISION SUBJECT TO ARCH.COMMENT	IVAN
NO.	DATE	REVISED	BY

JOB NO. : J-859

PROJECT : PROPOSED RESIDENTIAL / COMMERCIAL DEVELOPMENT AT NKIL NO.6551 KAI TAK AREA 4C, SITE 3 KAI TAK, KOWLOON

TITLE : WINDOW SCHEDULE FOR PRECAST FAÇADE AT TOWER 9

DATE : 13-Nov-21 SCALE : 1:50 (A3)

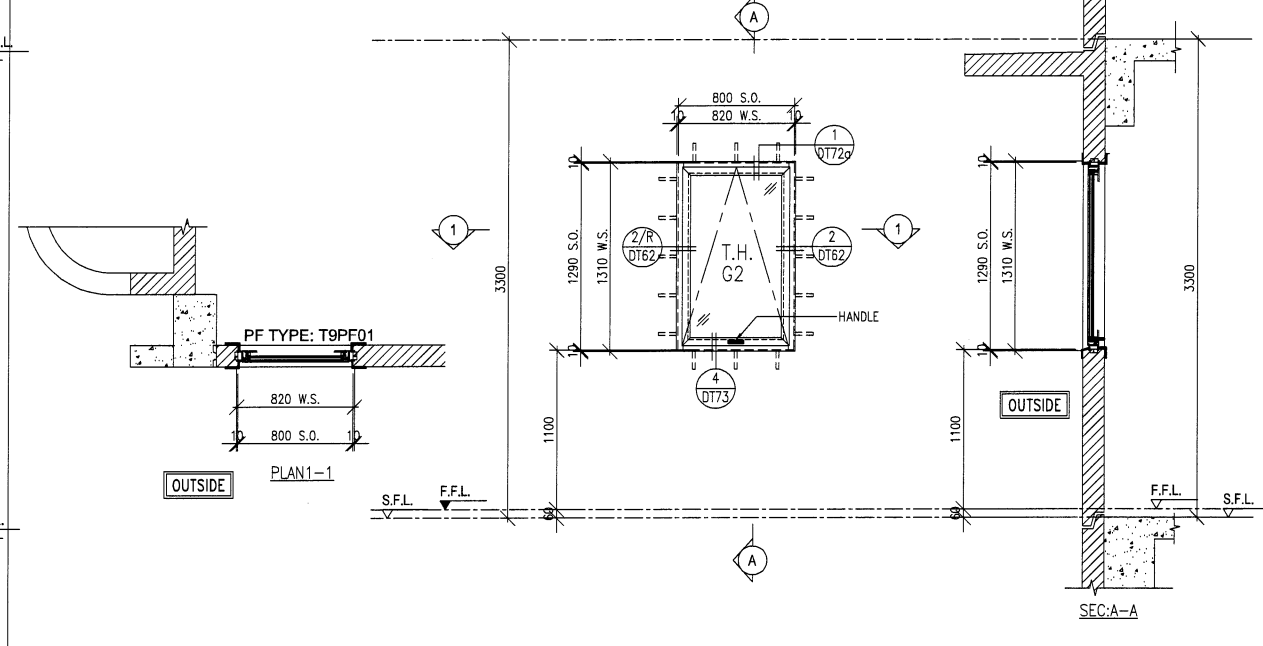
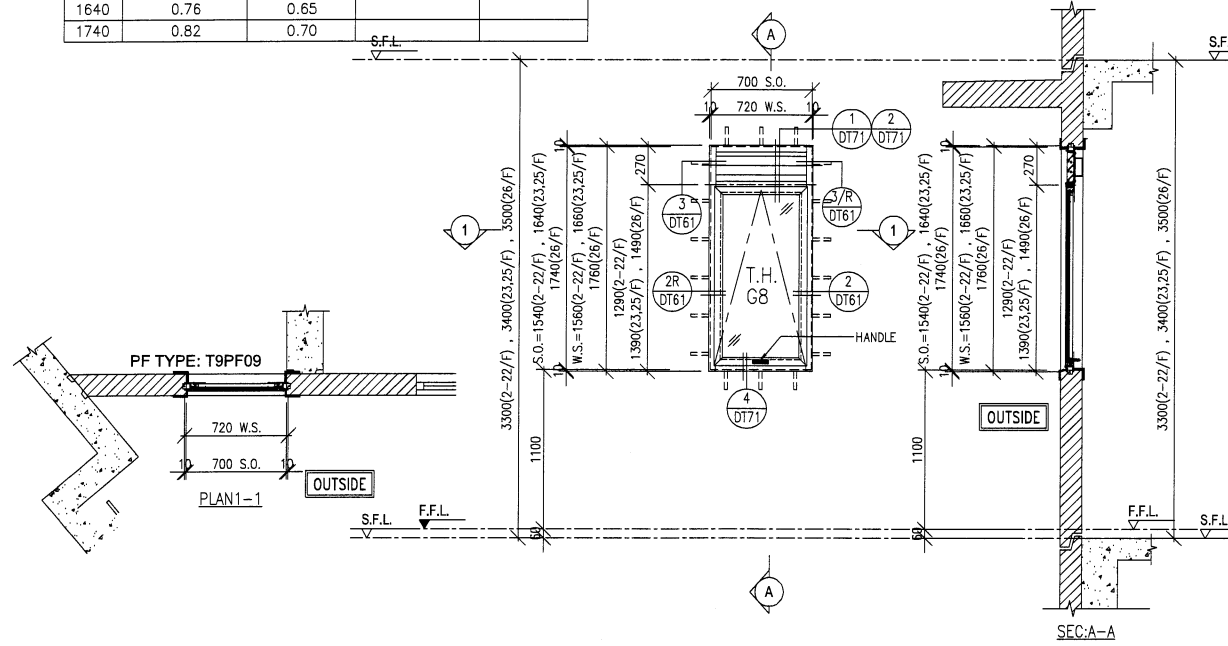
DRAWN BY : IVAN CHECKED BY :

美特鋁質有限公司
MIDI ALUMINIUM FABRICATOR LTD.
Units 6-B, Sunray Industrial Centre, 1/F
610 Cha Kwo Ling Road, Kowloon
Tel:23489211-4 Fax:(852)2727666

DWG NO. : J859-SD-PW-9101 REV. : A

FREE AREA(%)	PROVIDED			REQUIRE	
	S.O.	OPENABLE AREA	GLAZING AREA	OPENABLE AREA	GLAZING AREA
50%	1540	0.70	0.60		
	1640	0.76	0.65		
	1740	0.82	0.70		

S.O.	PROVIDED			REQUIRE	
	OPENABLE AREA	GLAZING AREA	OPENABLE AREA	GLAZING AREA	
1290	0.81	0.71			



WINDOW MARK	2/F-22/F 23/F,25/F 26/F 18 nos. 2 nos. 1 nos.
-------------	--

LOCATION	RSMRR AT 2/F TO 26/F FLOOR (T9) (4,13,14,24/F OMITTED)
----------	---

GLAZING	G8
---------	----

WINDOW FRAME	50mm ALUM. WINDOW SECTION
--------------	---------------------------

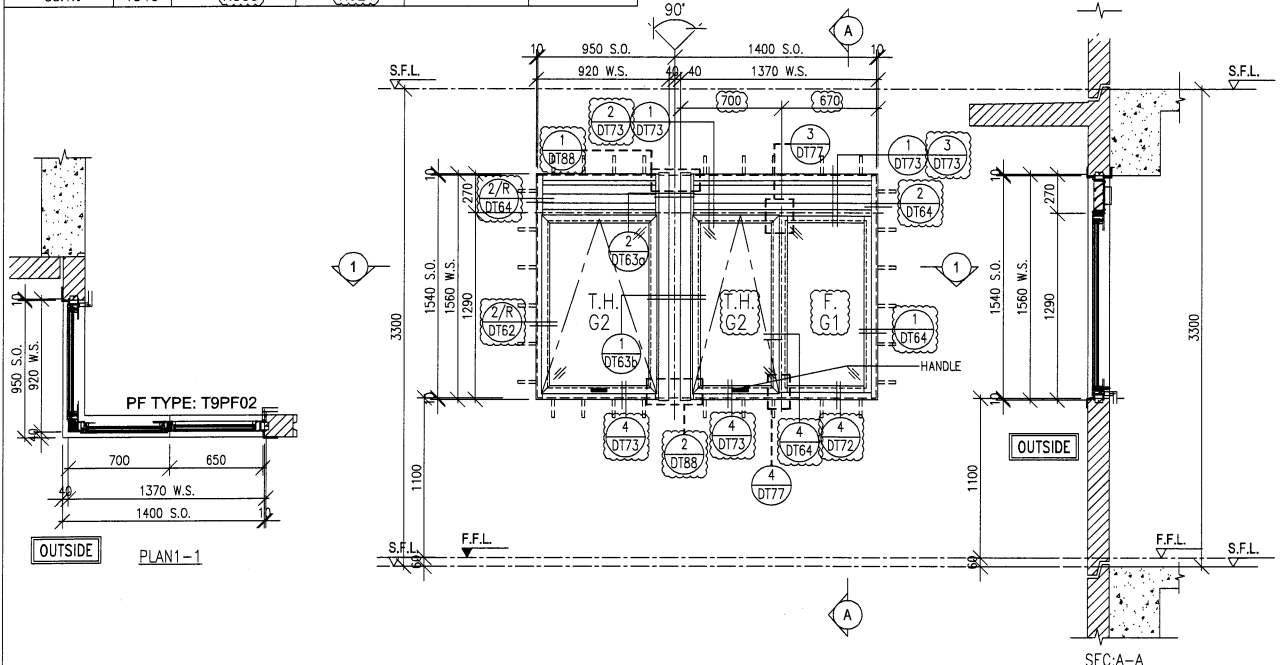
WINDOW MARK	2/F-8/F 6 nos.
-------------	-------------------

LOCATION	FLAT A BR3 AT 2/F TO 8/F FLOOR (T9) (4/F OMITTED)
----------	--

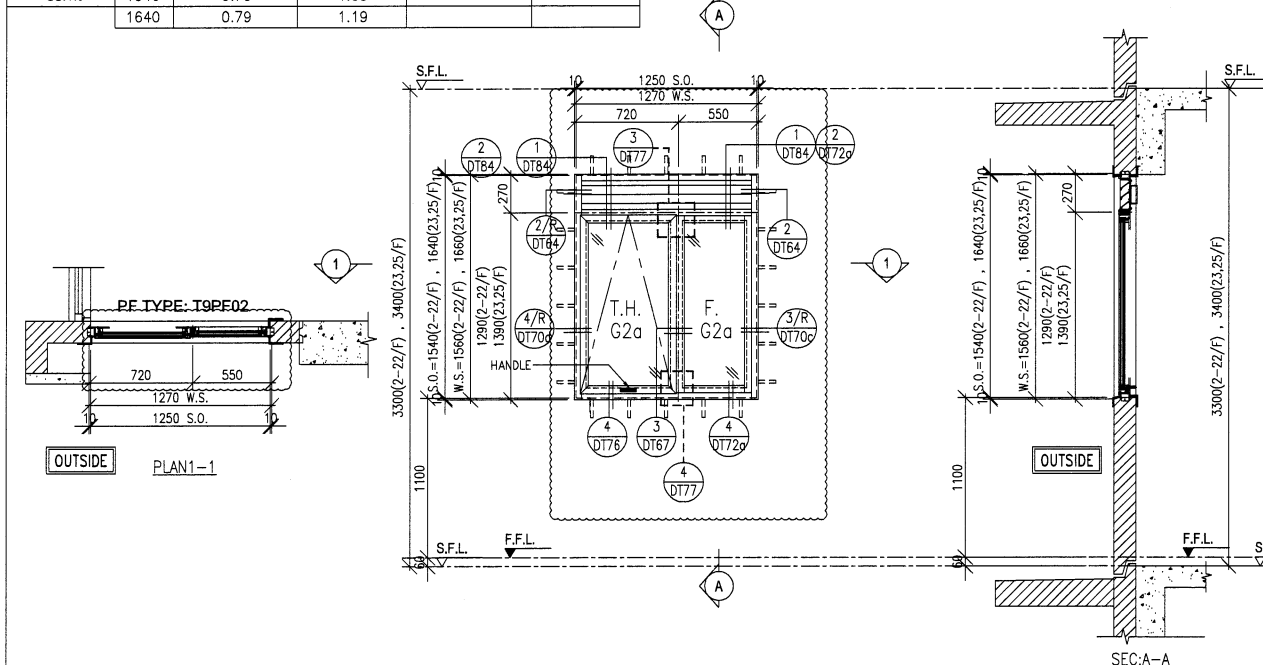
GLAZING	G2
---------	----

WINDOW FRAME	70mm ALUM. WINDOW SECTION
--------------	---------------------------

FREE AREA(%)	PROVIDED			REQUIRE	
	S.O.	OPENABLE AREA	GLAZING AREA	OPENABLE AREA	GLAZING AREA
58.1%	1540	{1.533}	{1.924}		



FREE AREA(%)	PROVIDED			REQUIRE	
	S.O.	OPENABLE AREA	GLAZING AREA	OPENABLE AREA	GLAZING AREA
58.1%	1540	0.73	1.09		
	1640	0.79	1.19		



WINDOW MARK	2/F-8/F 6 nos.
-------------	-------------------

LOCATION	KIT AT 2/F TO 8/F FLOOR (T9) (4/F OMITTED)
----------	---

GLAZING	G1, G2
---------	--------

WINDOW FRAME	70mm ALUM. WINDOW SECTION
--------------	---------------------------

WINDOW MARK	9/F-22/F 23/F,25/F 12 nos. 2 nos.
-------------	--------------------------------------

LOCATION	FLAT A LIV/DIN AT 9/F TO 25/F FLOOR (T9) (13,14,24/F OMITTED)
----------	--

GLAZING	G2a
---------	-----

WINDOW FRAME	70mm ALUM. WINDOW SECTION
--------------	---------------------------

B.D. REF :

ARCHITECT :
WT WONG TUNG & PARTNERS LIMITED
ARCHITECTS & PLANNERS

STRUCTURAL ENGINEER :
SUN HUNG KAI
ARCHITECTS AND ENGINEERS LTD.
SUN HUNG KAI CENTRE, WANCHAI, HONGKONG
TEL. 28278111 FAX. 28272884

FAÇADE CONSULTANT:
α ALPHA CONSULTING LIMITED
Steel Structure & Façade Specialist

MAIN CONTRACTOR :
Sanfield Engineering Construction Ltd.

CLIENT :
SUN HUNG KAI
REAL ESTATE AGENCY LTD.
42/F SUN HUNG KAI CENTRE, WANCHAI, HONGKONG

NOTE :
1. ALL DIMENSIONS ARE IN mm.
2. ALL ELEVATIONS ARE VIEWED FROM OUTSIDE.
3. ALL DIMENSIONS TO BE VERIFIED ON SITE BEFORE FABRICATION.

LEGEND :
 -- DETAIL MARK NO.
 -- REFER SHEET NO.
1. F.F.L. -- FINISHED FLOOR LEVEL
2. S.F.L. -- STRUCTURAL FLOOR LEVEL
3. (R) -- REVERSED DETAIL
4. GLASS LEGEND
G1-8mmHS+12mm AIR GAP+10mmTP I.G.U.
G2-8mmHS+12mm AIR GAP+8mmTP I.G.U.
G2a-8mmHS+12mm AIR GAP+8mmTP+1.52PVB +6mm FEATURED GLASS (I.G.U.)
G8-6mm GREY HS+1.52PVB+6mm CLEAR HS

A	28/03/2021	REVISION SUBJECT TO ARCH.COMMENT	IVAN
NO.	DATE	REVISED	BY

JOB NO. : J-859

PROJECT : PROPOSED RESIDENTIAL / COMMERCIAL DEVELOPMENT AT NKIL NO.6551 KAI TAK AREA 4C, SITE 3 KAI TAK, KOWLOON

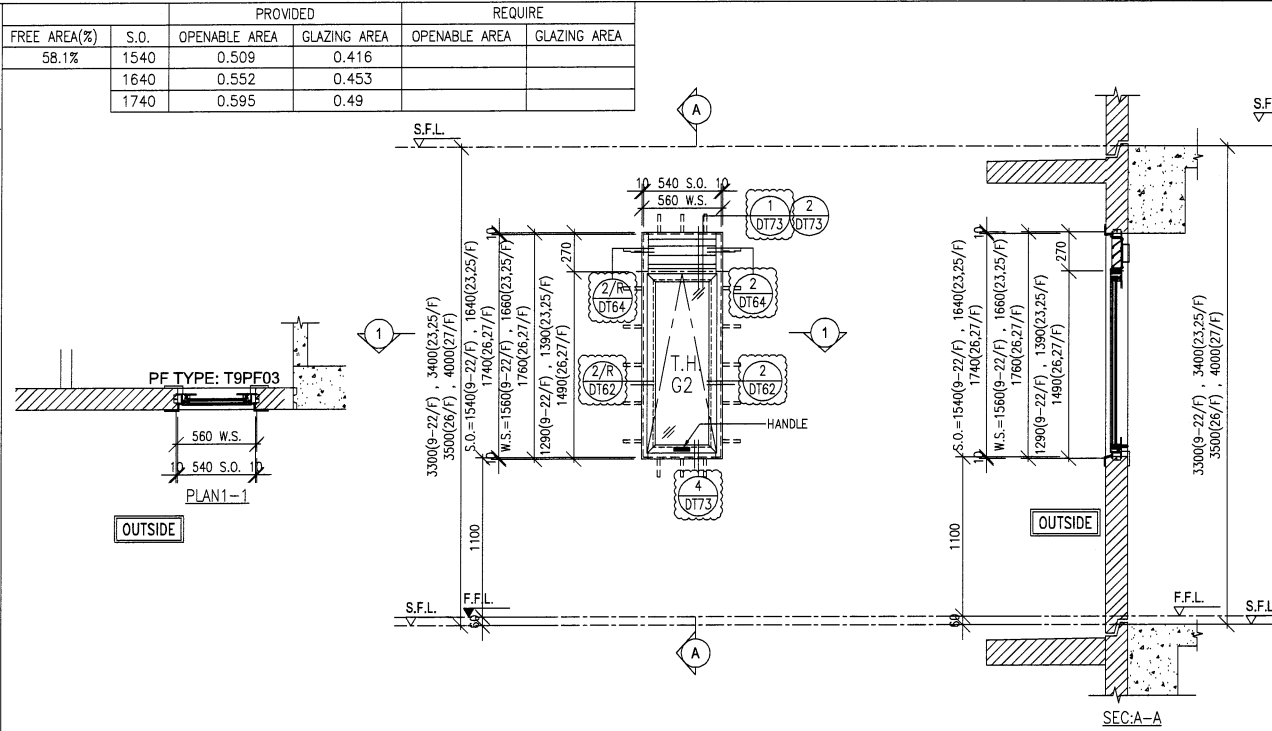
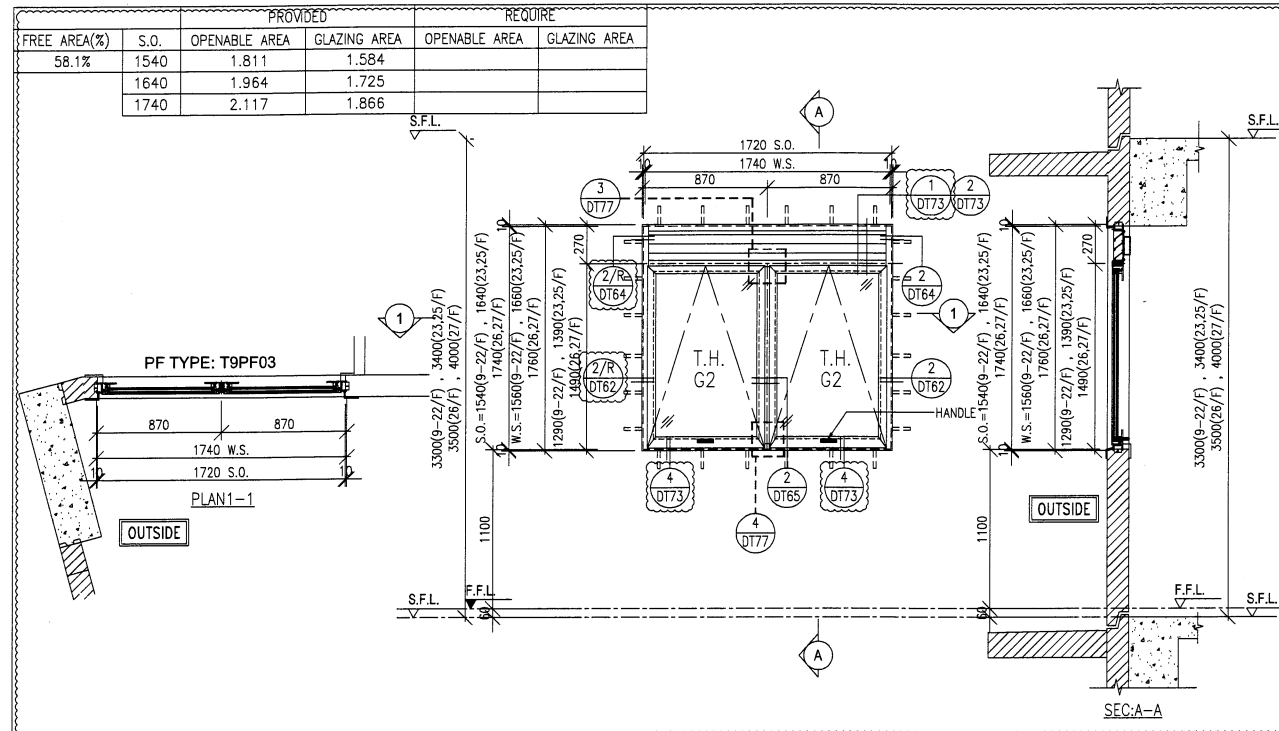
TITLE : WINDOW SCHEDULE FOR PRECAST FAÇADE AT TOWER 9

DATE : 13-Nov-21 SCALE : 1:50 (A3)

DRAWN BY : IVAN CHECKED BY :

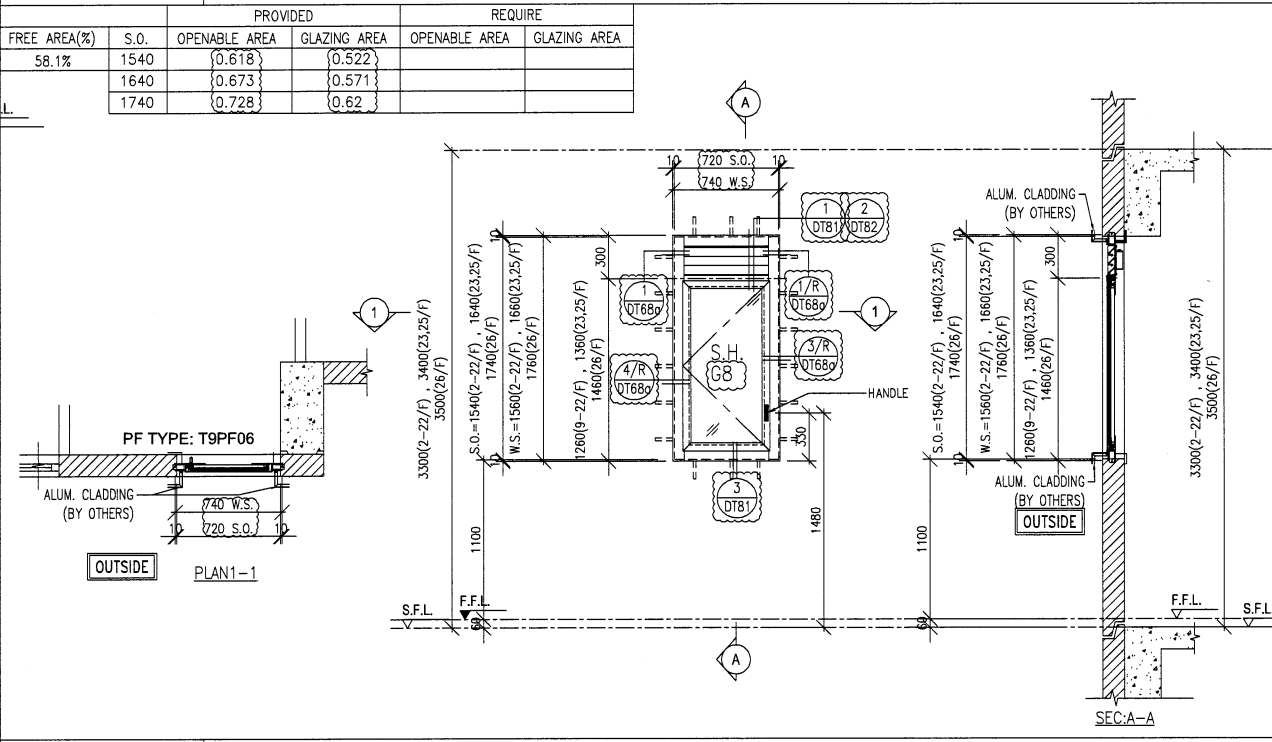
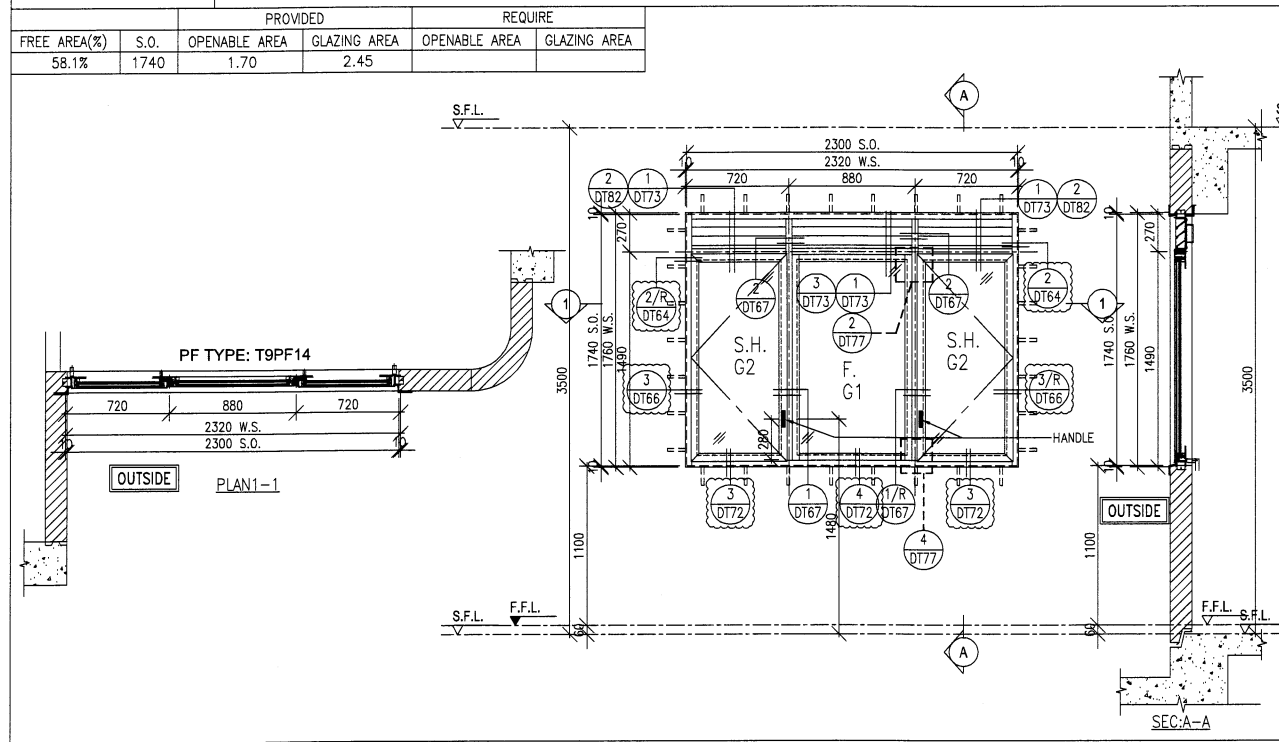
英特鋁質有限公司
MIDI ALUMINUM FABRICATOR LTD.
Units 6-8, Sunray Industrial Centre, 1/F
610 Cha Kwo Ling Road, Kowloon
Tel:23489211-4 Fax:(852)27276666

DWG NO. : J859-SD-PW-9102 REV. : A



WINDOW MARK	W13/P T9	9/F-22/F 12 nos.	23/F,25/F 2 nos.	26/F,27/F 2 nos.
LOCATION	FLAT A KIT AT 9/F TO 27/F FLOOR (T9) (13,14,24/F OMITTED)			
GLAZING	G2			
WINDOW FRAME	70mm ALUM. WINDOW SECTION			

WINDOW MARK	W14/P T9	9/F-22/F 12 nos.	23/F,25/F 2 nos.	26/F,27/F 2 nos.
LOCATION	FLAT A UTR AT 9/F TO 27/F FLOOR (T9) (13,14,24/F OMITTED)			
GLAZING	G2			
WINDOW FRAME	70mm ALUM. WINDOW SECTION			



WINDOW MARK	W15/P T9	26/F 1 no.		
LOCATION	FLAT A KIT. AT 26/F FLOOR (T9)			
GLAZING	G1, G2			
WINDOW FRAME	70mm ALUM. WINDOW SECTION			

WINDOW MARK	W2/P T9A	2/F-22/F 18 nos.	23/F,25/F 2 nos.	26/F 1 no.
LOCATION	UNIT B BATH AT 2/F TO 26/F FLOOR (T9A) (4,13,14,24/F OMITTED)			
GLAZING	G8			
WINDOW FRAME	50mm ALUM. WINDOW SECTION			

B.D. REF :

ARCHITECT :
WONG TUNG & PARTNERS LIMITED
ARCHITECTS & PLANNERS

STRUCTURAL ENGINEER :
SUN HUNG KAI
ARCHITECTS AND ENGINEERS LTD.
SUN HUNG KAI CENTRE, WANCHAI, HONGKONG
TEL: 28278111 FAX: 28272884

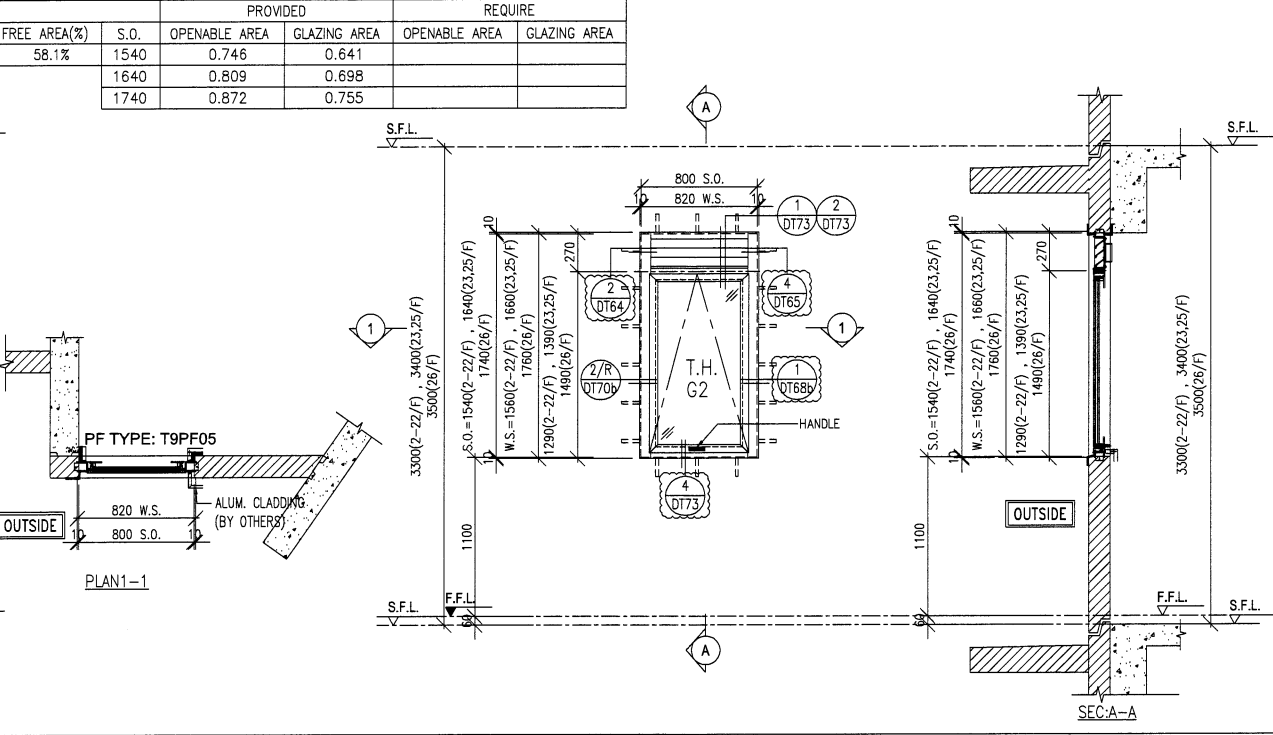
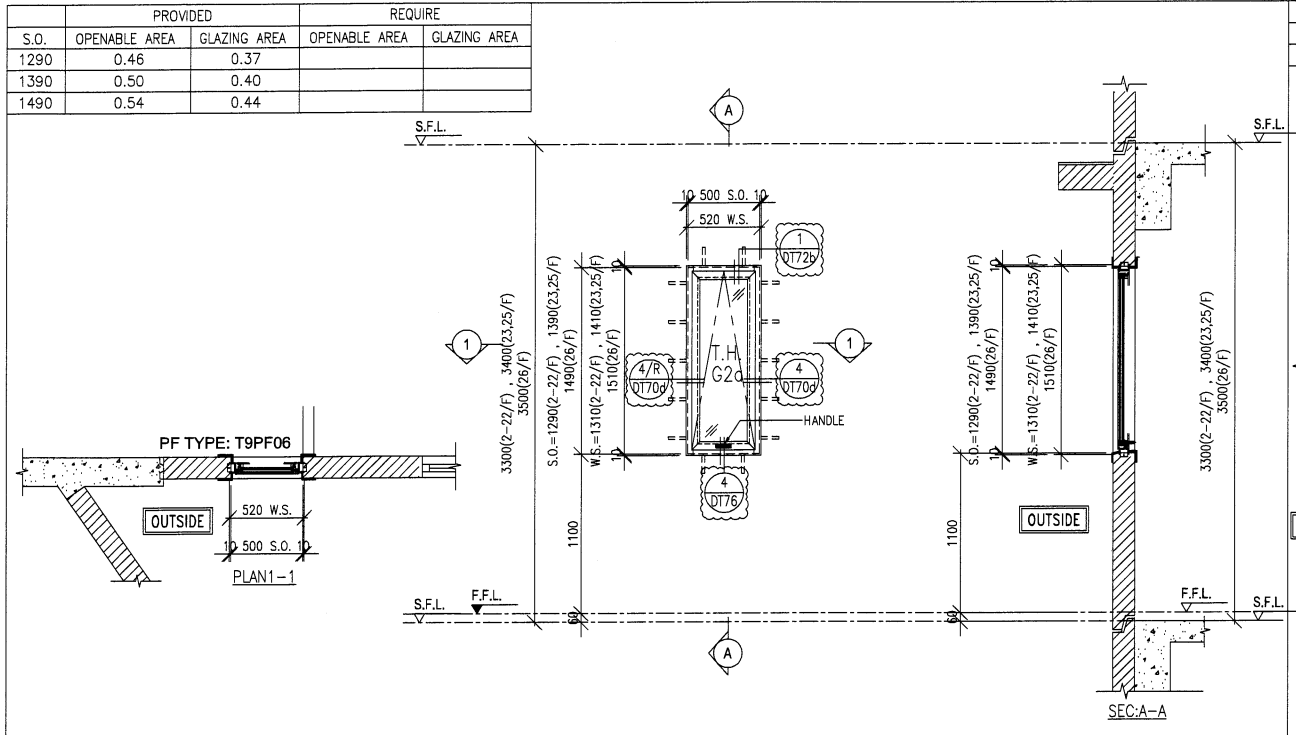
FACADE CONSULTANT:
ALPHA CONSULTING LIMITED
Steel Structure & Facade Specialist

MAIN CONTRACTOR :
Sanfield Engineering Construction Ltd.

CLIENT :
SUN HUNG KAI
REAL ESTATE AGENCY LTD.
42/F SUN HUNG KAI CENTRE, WANCHAI, HONGKONG

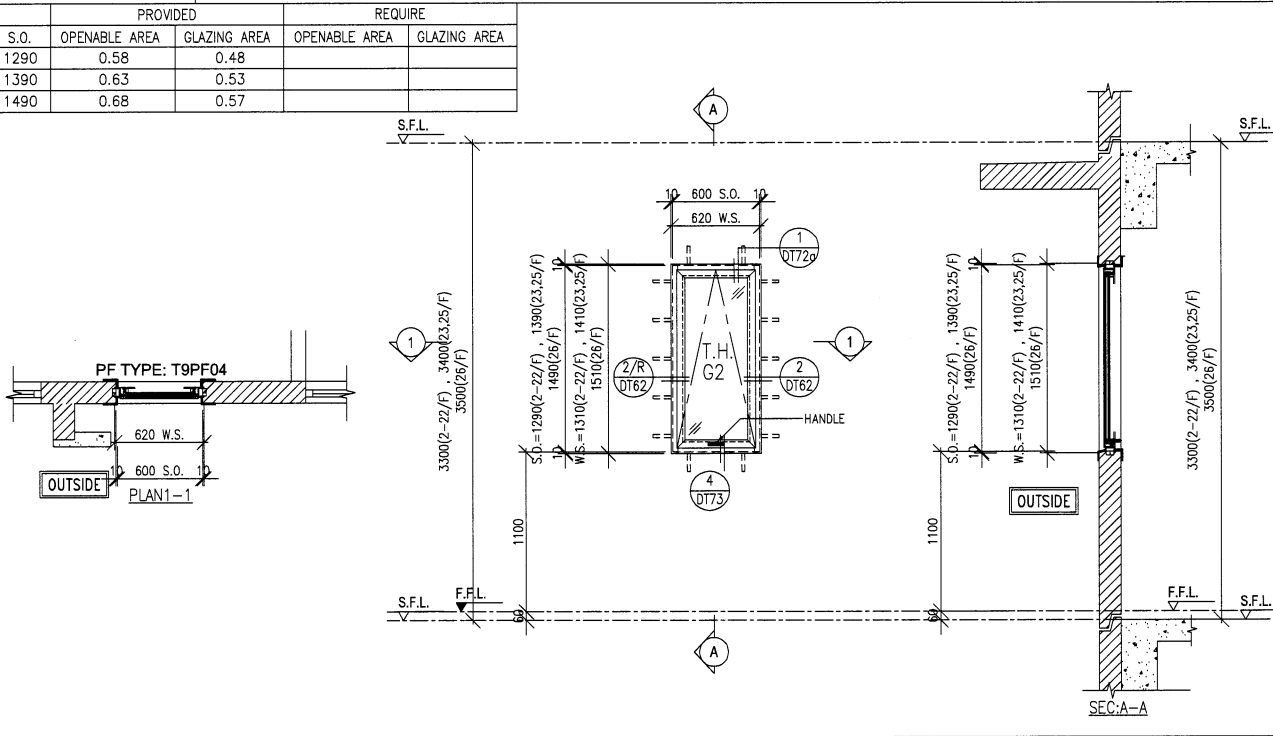
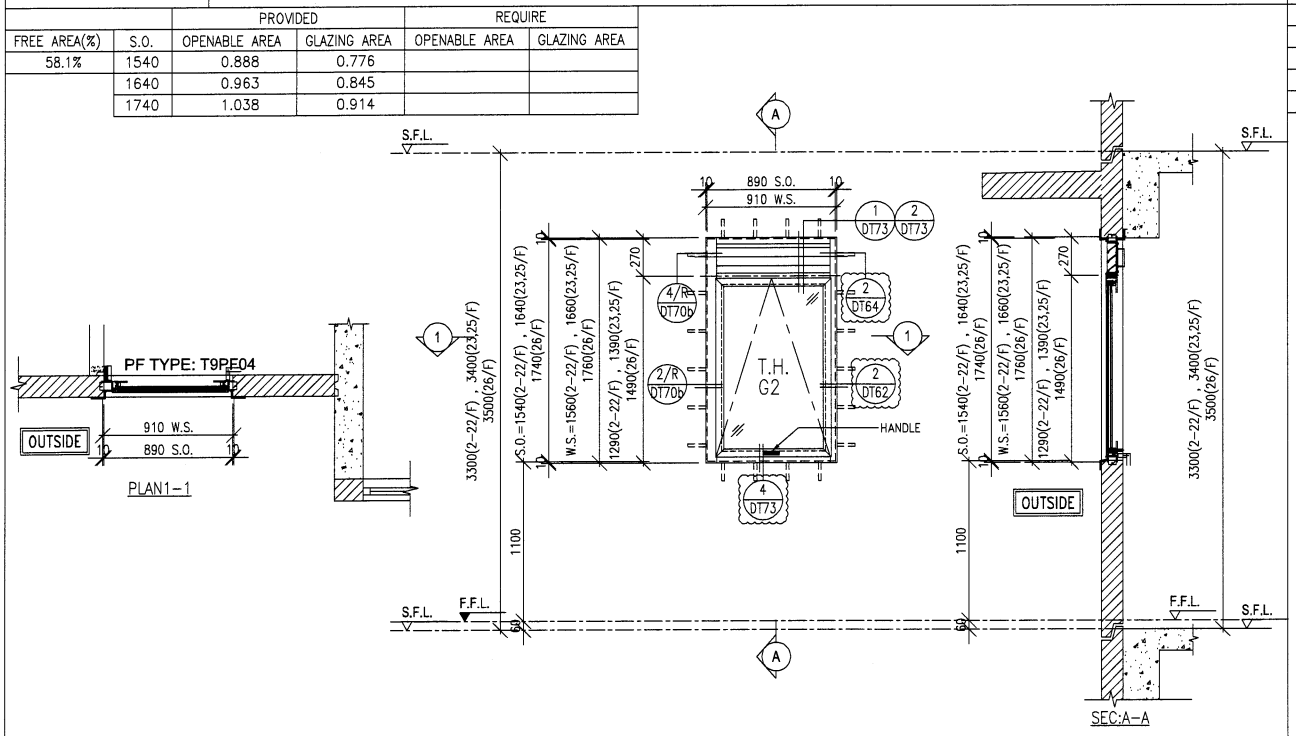
- NOTE :
- ALL DIMENSIONS ARE IN mm.
 - ALL ELEVATIONS ARE VIEWED FROM OUTSIDE.
 - ALL DIMENSIONS TO BE VERIFIED ON SITE BEFORE FABRICATION.
- LEGEND :
- X1 --- DETAIL MARK NO.
 - X001 --- REFER SHEET NO.
 - 1. F.F.L. --- FINISHED FLOOR LEVEL
 - 2. S.F.L. --- STRUCTURAL FLOOR LEVEL
 - 3. (R) --- REVERSED DETAIL
 - 4. GLASS LEGEND
 - G1-8mmHS+12mm AIR GAP+10mmTP I.G.U.
 - G2-8mmHS+12mm AIR GAP+8mmTP I.G.U.
 - G2a-8mmHS+12mm AIR GAP+8mmTP+1.52PVB+6mm FEATURED GLASS (I.G.U.)
 - G8-6mm GREY HS+1.52PVB+6mm CLEAR HS

A	28/03/2021	REVISION SUBJECT TO ARCH.COMMENT	IVAN
NO.	DATE	REVISED	BY
JOB NO. :	J-859		
PROJECT :	PROPOSED RESIDENTIAL / COMMERCIAL DEVELOPMENT AT NKIL NO.6551 KAI TAK AREA 4C, SITE 3 KAI TAK, KOWLOON		
TITLE :	WINDOW SCHEDULE FOR PRECAST FACADE AT TOWER 9A		
DATE :	13-Nov-21	SCALE :	1:50 (A3)
DRAWN BY :	IVAN	CHECKED BY :	
MIDI ALUMINUM FABRICATOR LTD. Units 6-8, Sunray Industrial Centre, 1/F 610 Cha Kwo Ling Road, Kowloon Tel:23489211-4 Fax:(852)27727666			
DWG NO. :	J859-SD-PW-9103	REV. :	A



S.O.	PROVIDED		REQUIRE	
	OPENABLE AREA	GLAZING AREA	OPENABLE AREA	GLAZING AREA
1290	0.46	0.37		
1390	0.50	0.40		
1490	0.54	0.44		

S.O.	PROVIDED		REQUIRE	
	OPENABLE AREA	GLAZING AREA	OPENABLE AREA	GLAZING AREA
1540	0.746	0.641		
1640	0.809	0.698		
1740	0.872	0.755		



S.O.	PROVIDED		REQUIRE	
	OPENABLE AREA	GLAZING AREA	OPENABLE AREA	GLAZING AREA
58.1%	1540	0.888	0.776	
	1640	0.963	0.845	
	1740	1.038	0.914	

S.O.	PROVIDED		REQUIRE	
	OPENABLE AREA	GLAZING AREA	OPENABLE AREA	GLAZING AREA
1290	0.58	0.48		
1390	0.63	0.53		
1490	0.68	0.57		

B.D. REF :

ARCHITECT :
WT WONG TUNG & PARTNERS LIMITED
 ARCHITECTS & PLANNERS

STRUCTURAL ENGINEER :
SUN HUNG KAI
 ARCHITECTS AND ENGINEERS LTD.
 SUN HUNG KAI CENTRE, WANCHAI, HONGKONG
 TEL: 28278111 FAX: 28272884

FACADE CONSULTANT:
ALPHA CONSULTING LIMITED
 Steel Structure & Facade Specialist

MAIN CONTRACTOR :
Sanfield Engineering Construction Ltd.

CLIENT :
SUN HUNG KAI
 REAL ESTATE AGENCY LTD.
 42/F SUN HUNG KAI CENTRE, WANCHAI, HONGKONG

NOTE:
 1. ALL DIMENSIONS ARE IN MM.
 2. ALL ELEVATIONS ARE VIEWED FROM OUTSIDE.
 3. ALL DIMENSIONS TO BE VERIFIED ON SITE BEFORE FABRICATION.

LEGEND:
 (X1) — DETAIL MARK NO.
 (X001) — REFER SHEET NO.

1. F.F.L. — FINISHED FLOOR LEVEL
 2. S.F.L. — STRUCTURAL FLOOR LEVEL
 3. (R) — REVERSED DETAIL
 4. GLASS LEGEND
 G1 — 8mmHS+12mm AIR GAP+10mmTP I.G.U.
 G2 — 8mmHS+12mm AIR GAP+8mmTP I.G.U.
 G2a — 8mmHS+12mm AIR GAP+8mmTP+1.52PVB +6mm FEATURED GLASS (I.G.U.)
 GB — 6mm GREY HS+1.52PVB+6mm CLEAR HS

NO.	DATE	REVISION SUBJECT TO ARCH.COMMENT	REVISOR	BY
A	28/03/2021	REVISION SUBJECT TO ARCH.COMMENT		IVAN

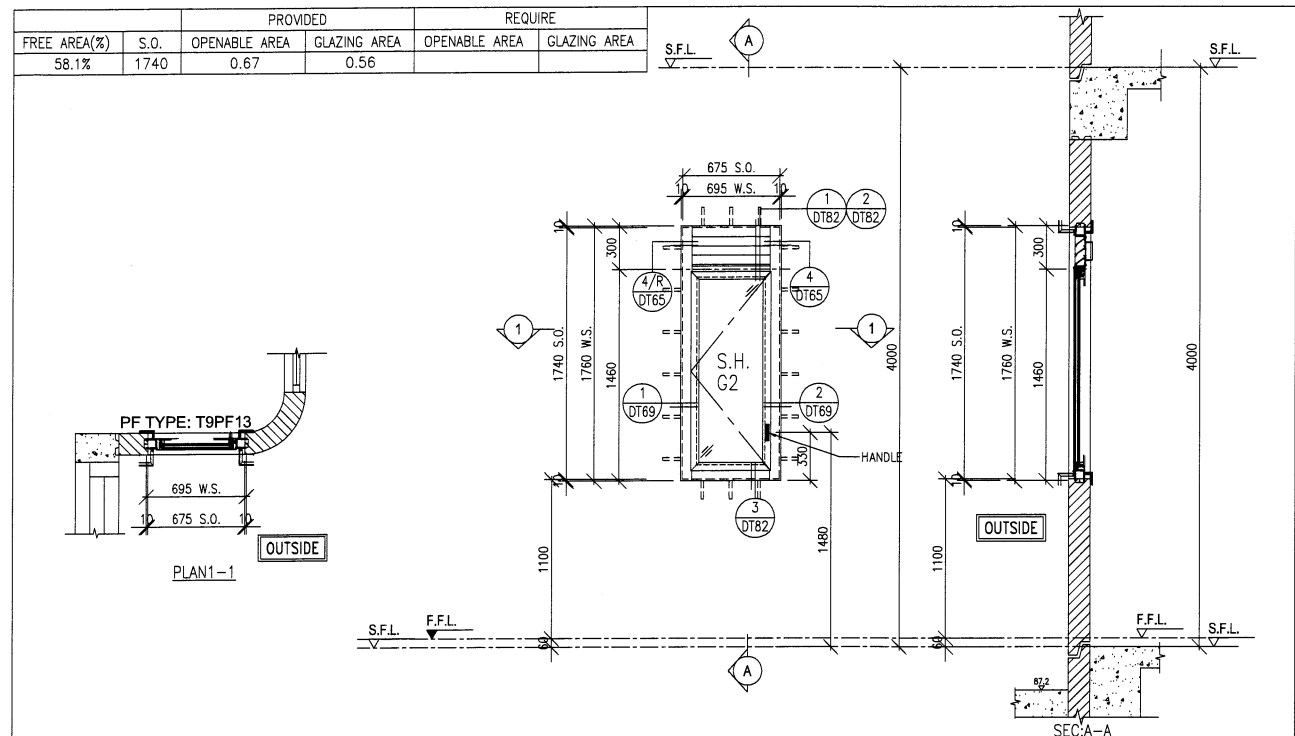
JOB NO. : J-859
 PROJECT : PROPOSED RESIDENTIAL / COMMERCIAL DEVELOPMENT AT NKIL NO.6551 KAI TAK AREA 4C, SITE 3 KAI TAK, KOWLOON

TITLE : WINDOW SCHEDULE FOR PRECAST FACADE AT TOWER 9A

DATE : 13-Nov-21 SCALE : 1:50 (A3)

DRAWN BY : IVAN CHECKED BY :

美特鋁質有限公司
MIDI ALUMINIUM FABRICATOR LTD.
 Units 6-8, Sunray Industrial Centre, 1/F
 610 Cho Kwo Ling Road, Kowloon
 Tel: 23489211-4 Fax: (852) 27727666
 DWG NO. : J859-SD-PW-9104 REV. : A



WINDOW MARK	27/F 1 no.	WINDOW MARK	
LOCATION	FLAT A UTR AT 27/F FLOOR (T9)	LOCATION	
GLAZING	G2	GLAZING	
WINDOW FRAME	70mm ALUM. WINDOW SECTION	WINDOW FRAME	

WINDOW MARK		WINDOW MARK	
LOCATION		LOCATION	
GLAZING		GLAZING	
WINDOW FRAME		WINDOW FRAME	

WINDOW MARK		WINDOW MARK	
LOCATION		LOCATION	
GLAZING		GLAZING	
WINDOW FRAME		WINDOW FRAME	

B.D. REF :

ARCHITECT :
WONG TUNG & PARTNERS LIMITED
 ARCHITECTS & PLANNERS

STRUCTURAL ENGINEER :
SUN HUNG KAI
 ARCHITECTS AND ENGINEERS LTD.
SUN HUNG KAI CENTRE, WANCHAI, HONGKONG
 TEL. 28278111 FAX. 28272884

FACADE CONSULTANT:
ALPHA CONSULTING LIMITED
 Steel Structure & Facade Specialist

MAIN CONTRACTOR :
Sanfield Engineering Construction Ltd.

CLIENT :
SUN HUNG KAI
 REAL ESTATE AGENCY LTD.
42/F SUN HUNG KAI CENTRE, WANCHAI, HONGKONG

NOTE :
 1. ALL DIMENSIONS ARE IN mm.
 2. ALL ELEVATIONS ARE VIEWED FROM OUTSIDE.
 3. ALL DIMENSIONS TO BE VERIFIED ON SITE BEFORE FABRICATION.

LEGEND :
 — DETAIL MARK NO.
 — REFER SHEET NO.
 1. F.F.L. -- FINISHED FLOOR LEVEL
 2. S.F.L. -- STRUCTURAL FLOOR LEVEL
 3. (R) -- REVERSED DETAIL
 4. GLASS LEGEND
 G1-8mmHS+12mm AIR GAP+10mmTP I.G.U.
 G2-8mmHS+12mm AIR GAP+8mmTP I.G.U.
 G2a-8mmHS+12mm AIR GAP+8mmTP+1.52PVB +6mm FEATURED GLASS (I.G.U.)
 GB-6mm GREY HS+1.52PVB+6mm CLEAR HS

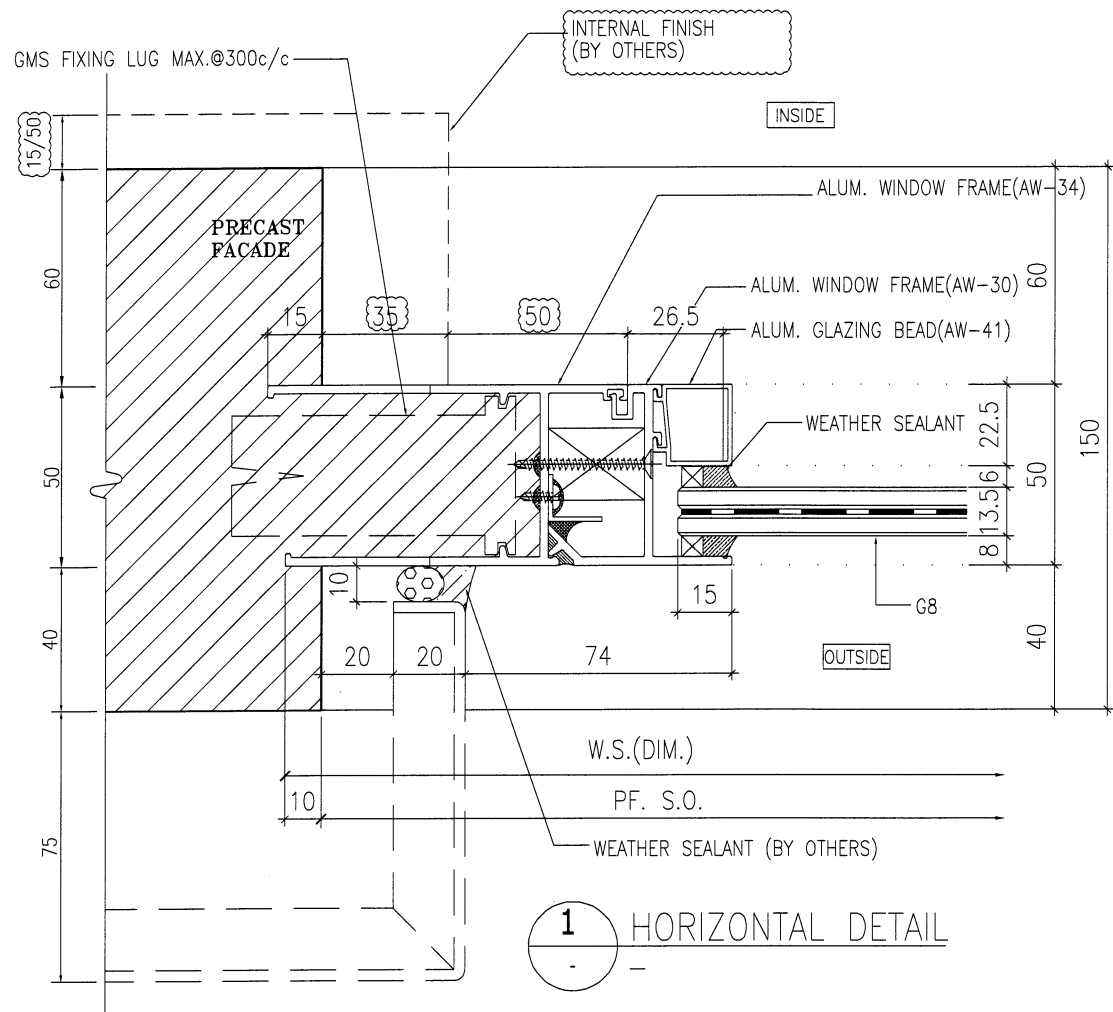
A	28/03/2021	REVISION SUBJECT TO ARCH.COMMENT	IVAN
NO.	DATE	REVISED	BY

JOB NO. : J-859
 PROJECT :
 PROPOSED RESIDENTIAL / COMMERCIAL DEVELOPMENT AT NKIL NO.6551 KAI TAK AREA 4C, SITE 3 KAI TAK, KOWLOON

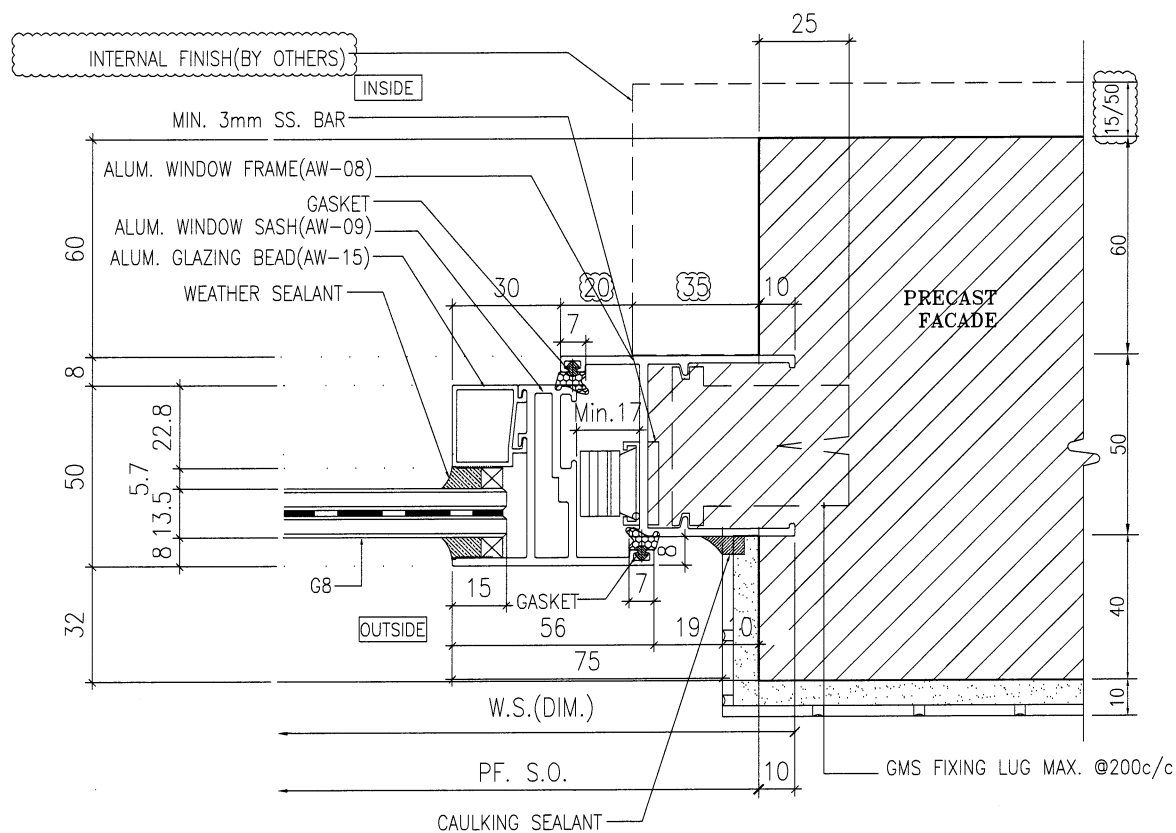
TITLE :
 WINDOW SCHEDULE FOR PRECAST FACADE AT TOWER 9A

DATE : 13-Nov-21 SCALE : 1:50 (A3)
 DRAWN BY : IVAN CHECKED BY :

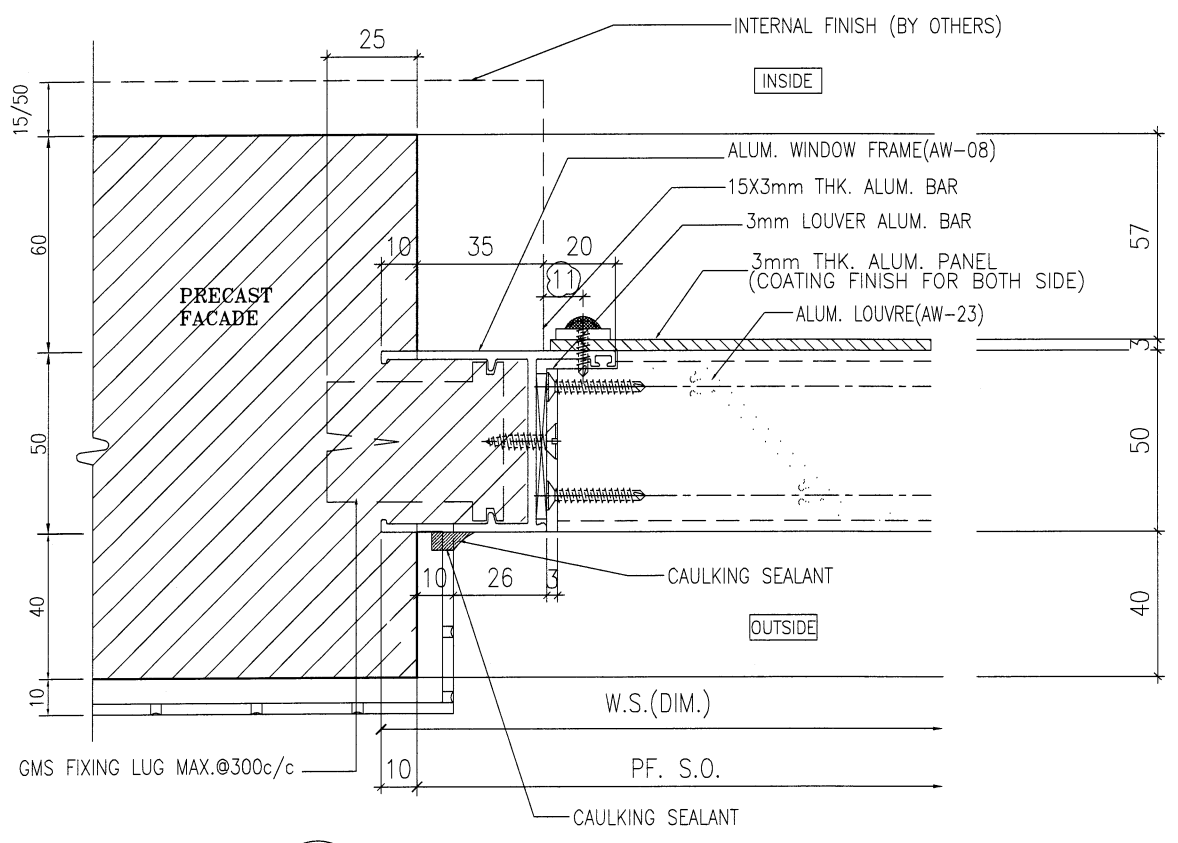
美特鋁質有限公司
 MIDI ALUMINIUM FABRICATOR LTD.
 Units 6-8, Sunray Industrial Centre, 1/F
 610 Cha Kwo Ling Road, Kowloon
 Tel:23489211-4 Fax:(852)2727666
 DWG NO. : J859-SD-PW-9105 REV. : A



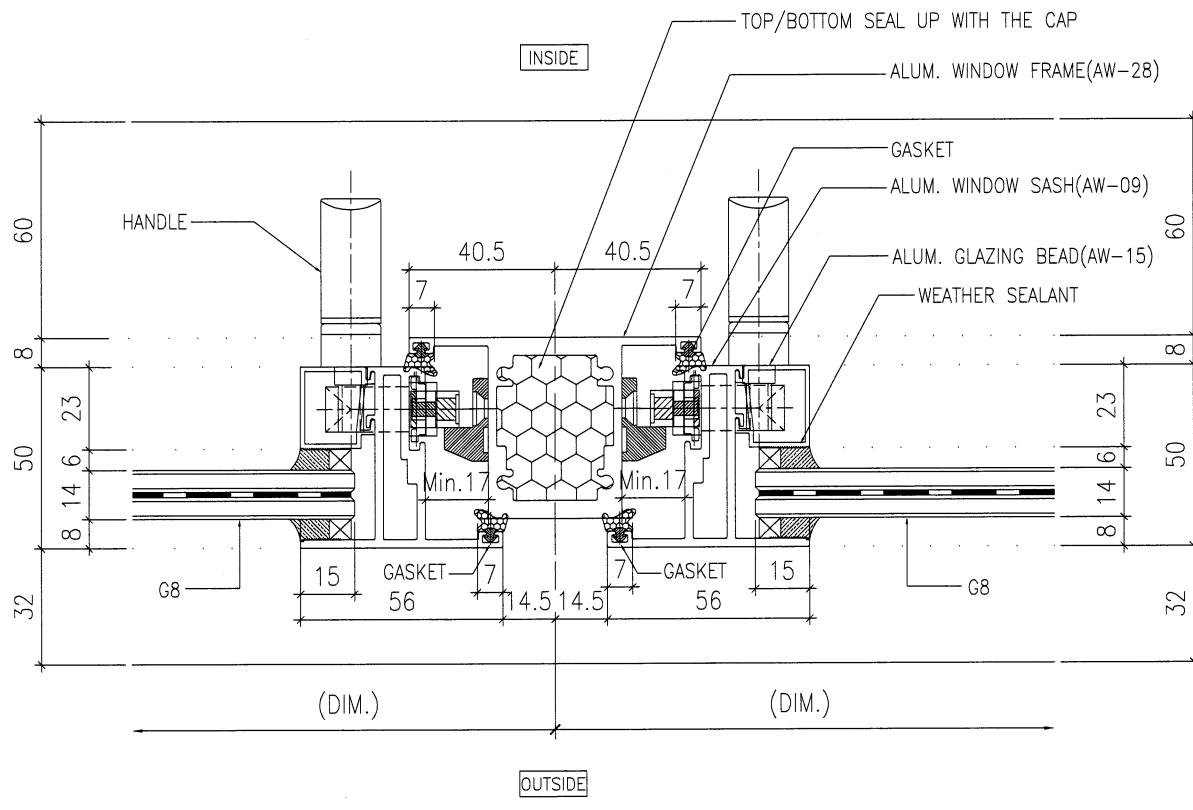
1 HORIZONTAL DETAIL



2 HORIZONTAL DETAIL



3 HORIZONTAL DETAIL



4 HORIZONTAL DETAIL

B.D. REF :

ARCHITECT : **WT WONG TUNG & PARTNERS LIMITED ARCHITECTS & PLANNERS**

STRUCTURAL ENGINEER : **SUN HUNG KAI ARCHITECTS AND ENGINEERS LTD.**
SUN HUNG KAI CENTRE, WANCHAI, HONGKONG TEL. 28278111 FAX. 28272884

FACADE CONSULTANT: **ALPHA CONSULTING LIMITED**
Steel Structure & Facade Specialist

MAIN CONTRACTOR : **Sanfield Engineering Construction Ltd.**

CLIENT : **SUN HUNG KAI REAL ESTATE AGENCY LTD.**
42/F SUN HUNG KAI CENTRE, WANCHAI, HONGKONG

NOTE :
1. ALL DIMENSIONS ARE IN mm.
2. ALL ELEVATIONS ARE VIEWED FROM OUTSIDE.
3. ALL DIMENSIONS TO BE VERIFIED ON SITE BEFORE FABRICATION.

LEGEND :
X1 — DETAIL MARK NO.
X001 — REFER SHEET NO.

1. F.F.L. — FINISHED FLOOR LEVEL
2. S.F.L. — STRUCTURAL FLOOR LEVEL
3. (R) — REVERSED DETAIL
4. GLASS LEGEND
G1 — 8mmHS+12mm AIR GAP+10mmTP I.G.U.
G2 — 8mmHS+12mm AIR GAP+8mmTP I.G.U.
G2a — 8mmHS+12mm AIR GAP+8mmTP+1.52PVB +6mm FEATURED GLASS (I.G.U.)
G8 — 6mm GREY HS+1.52PVB+6mm CLEAR HS

A	28/3/2022	REVISION SUBJECT TO ARCH.COMMENT	IWAN
NO.	DATE	REVISED	BY

JOB NO. : J-859

PROJECT : PROPOSED RESIDENTIAL / COMMERCIAL DEVELOPMENT AT NKIL NO.6551 KAI TAK AREA 4C, SITE 3 KAI TAK, KOWLOON

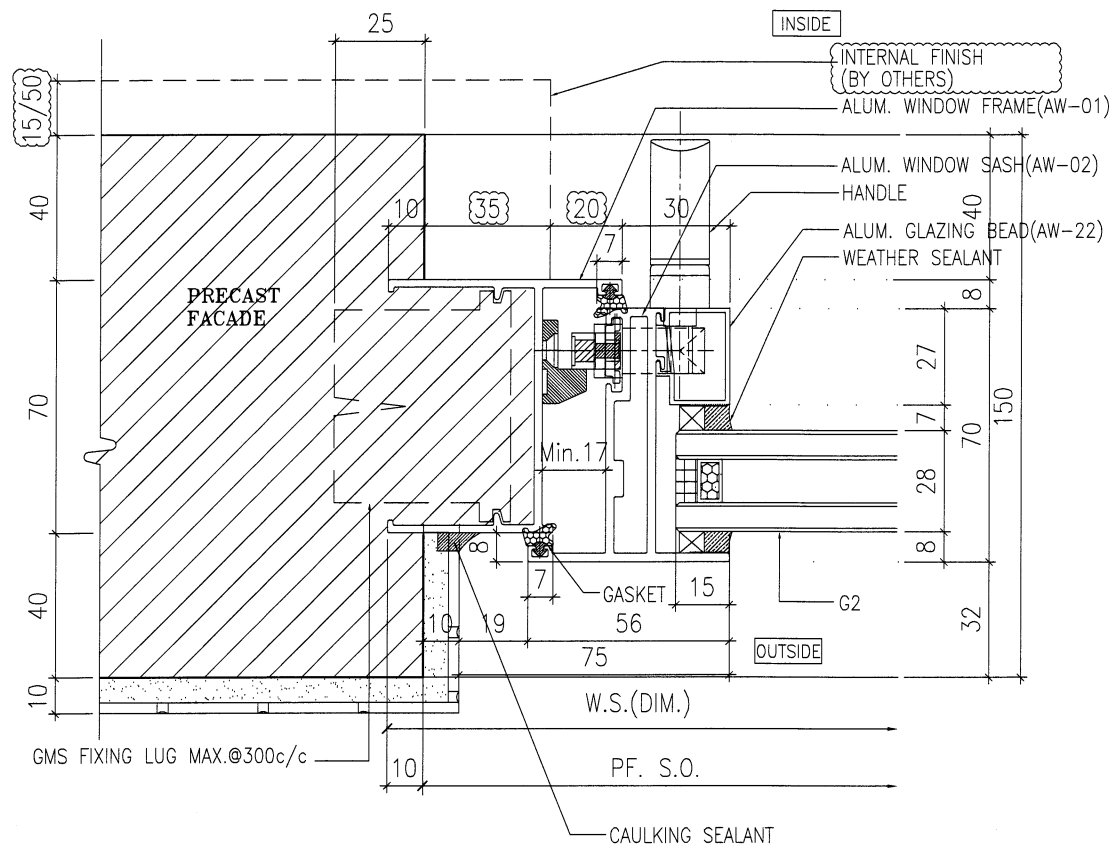
TITLE : TYPICAL DETAILS FOR ALUM. WINDOW

DATE : 10-Nov-21 SCALE : 1:2 (A3)

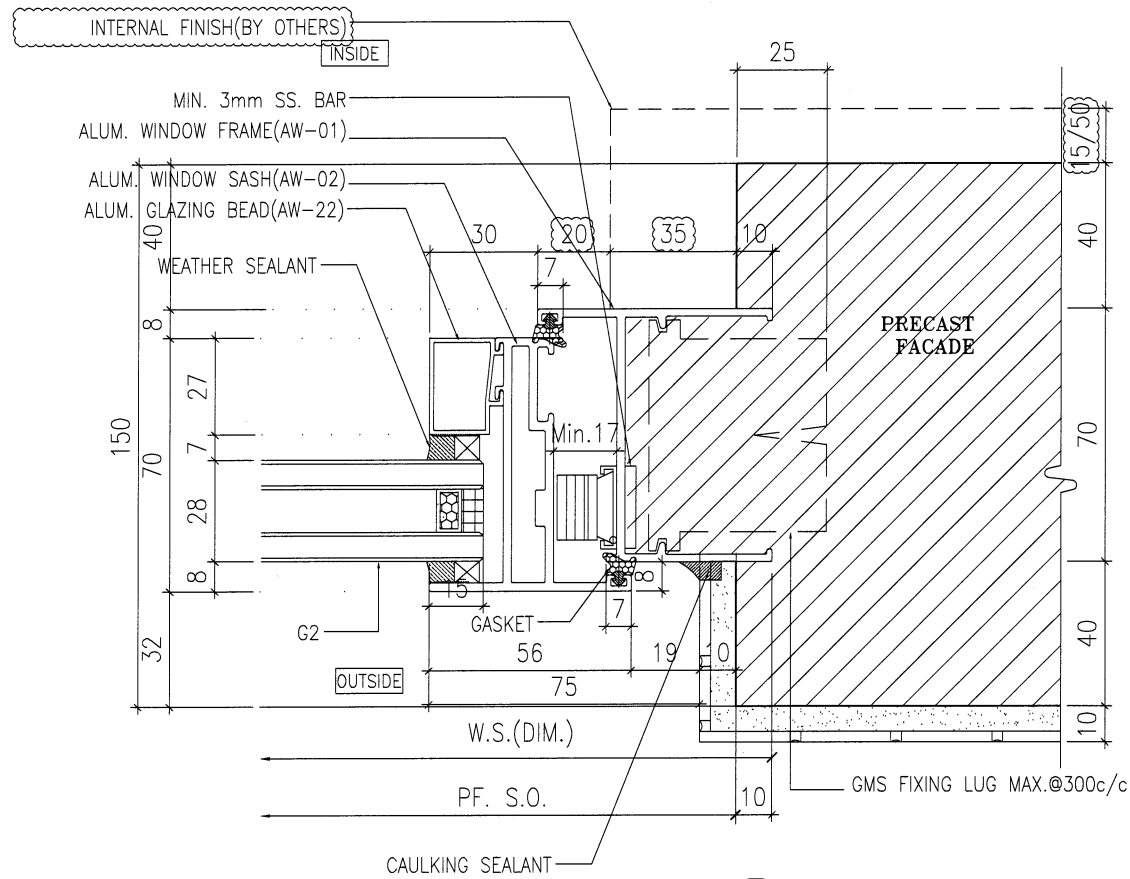
DRAWN BY : IVAN CHECKED BY :

美特鋁質有限公司
MIDI ALUMINIUM FABRICATOR LTD.
Units 6-8, Sunray Industrial Centre, 1/F
610 Cha Kwo Ling Road, Kowloon
Tel:23489211-4 Fax:(852)2727666

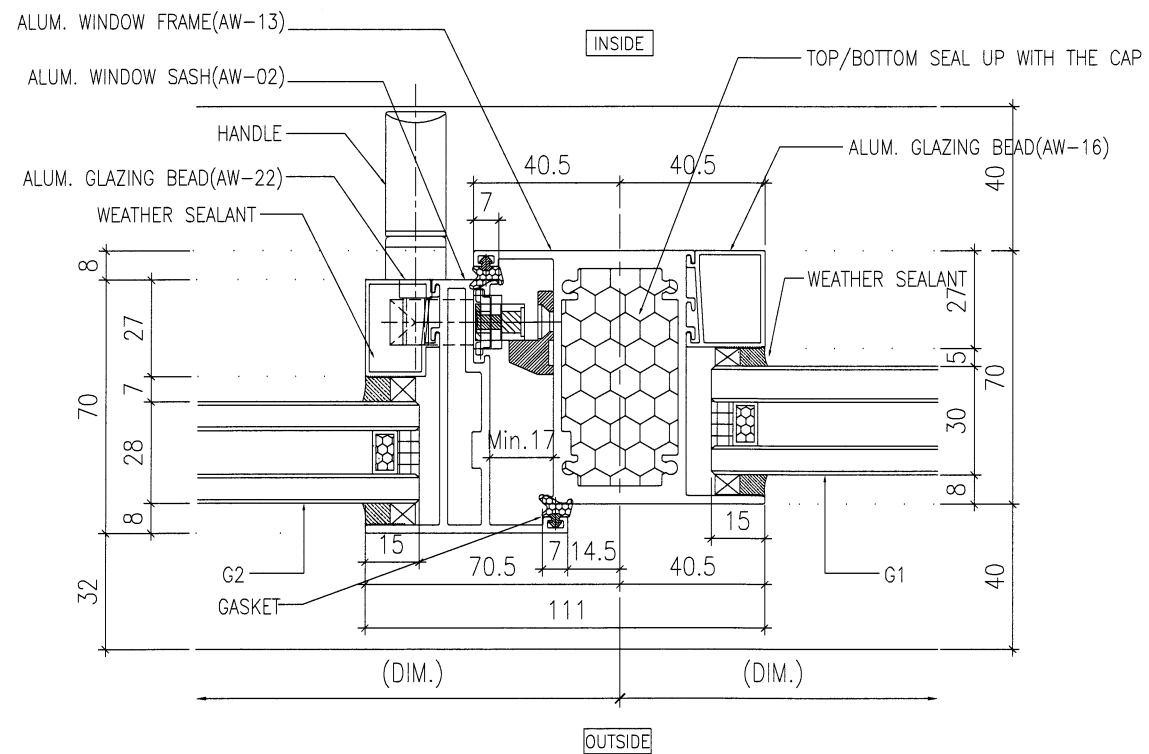
DWG NO. : J859-SD-PW-DT61 REV. : A



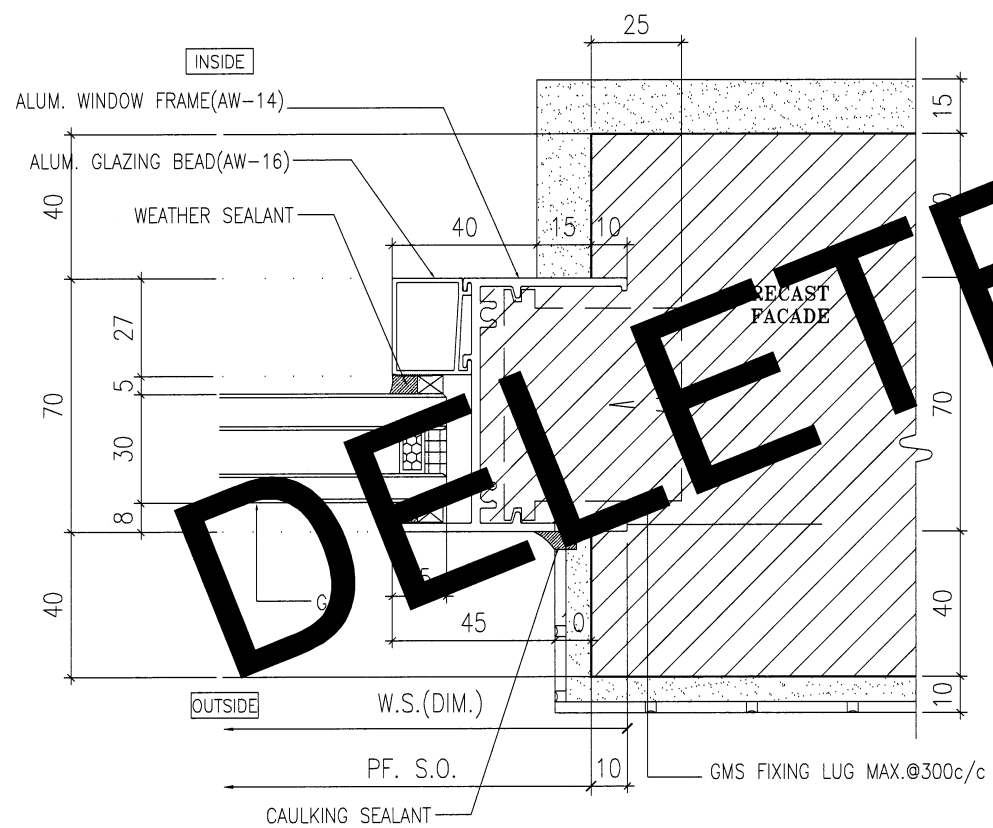
1 HORIZONTAL DETAIL



2 HORIZONTAL DETAIL



3 HORIZONTAL DETAIL



4 HORIZONTAL DETAIL

B.D. REF :

ARCHITECT :
WT WONG TUNG & PARTNERS LIMITED
 ARCHITECTS & PLANNERS

STRUCTURAL ENGINEER :
SUN HUNG KAI
 ARCHITECTS AND ENGINEERS LTD.
 SUN HUNG KAI CENTRE, WANCHAI, HONGKONG
 TEL. 28278111 FAX. 28272884

FACADE CONSULTANT:
α ALPHA CONSULTING LIMITED
 Steel Structure & Facade Specialist

MAIN CONTRACTOR :
Sanfield Engineering Construction Ltd.

CLIENT :
SUN HUNG KAI
 REAL ESTATE AGENCY LTD.
 42/F SUN HUNG KAI CENTRE, WANCHAI, HONGKONG

NOTE :
 1. ALL DIMENSIONS ARE IN mm.
 2. ALL ELEVATIONS ARE VIEWED FROM OUTSIDE.
 3. ALL DIMENSIONS TO BE VERIFIED ON SITE BEFORE FABRICATION.

LEGEND :
 (X1) --- DETAIL MARK NO.
 (X001) --- REFER SHEET NO.
 1. F.F.L. --- FINISHED FLOOR LEVEL
 2. S.F.L. --- STRUCTURAL FLOOR LEVEL
 3. (R) --- REVERSED DETAIL
 4. GLASS LEGEND
 G1-8mmHS+12mm AIR GAP+10mmTP I.G.U.
 G2-8mmHS+12mm AIR GAP+8mmTP I.G.U.
 G2a-8mmHS+12mm AIR GAP+8mmTP+1.52PVB +6mm FEATURED GLASS (I.G.U.)
 G8-6mm GREY HS+1.52PVB+6mm CLEAR HS

NO.	DATE	REVISION	BY
A	28/3/2022	REVISION SUBJECT TO ARCH.COMMENT	MAN

JOB NO. : J-859
 PROJECT : PROPOSED RESIDENTIAL / COMMERCIAL DEVELOPMENT AT NKIL NO.6551 KAI TAK AREA 4C, SITE 3 KAI TAK, KOWLOON

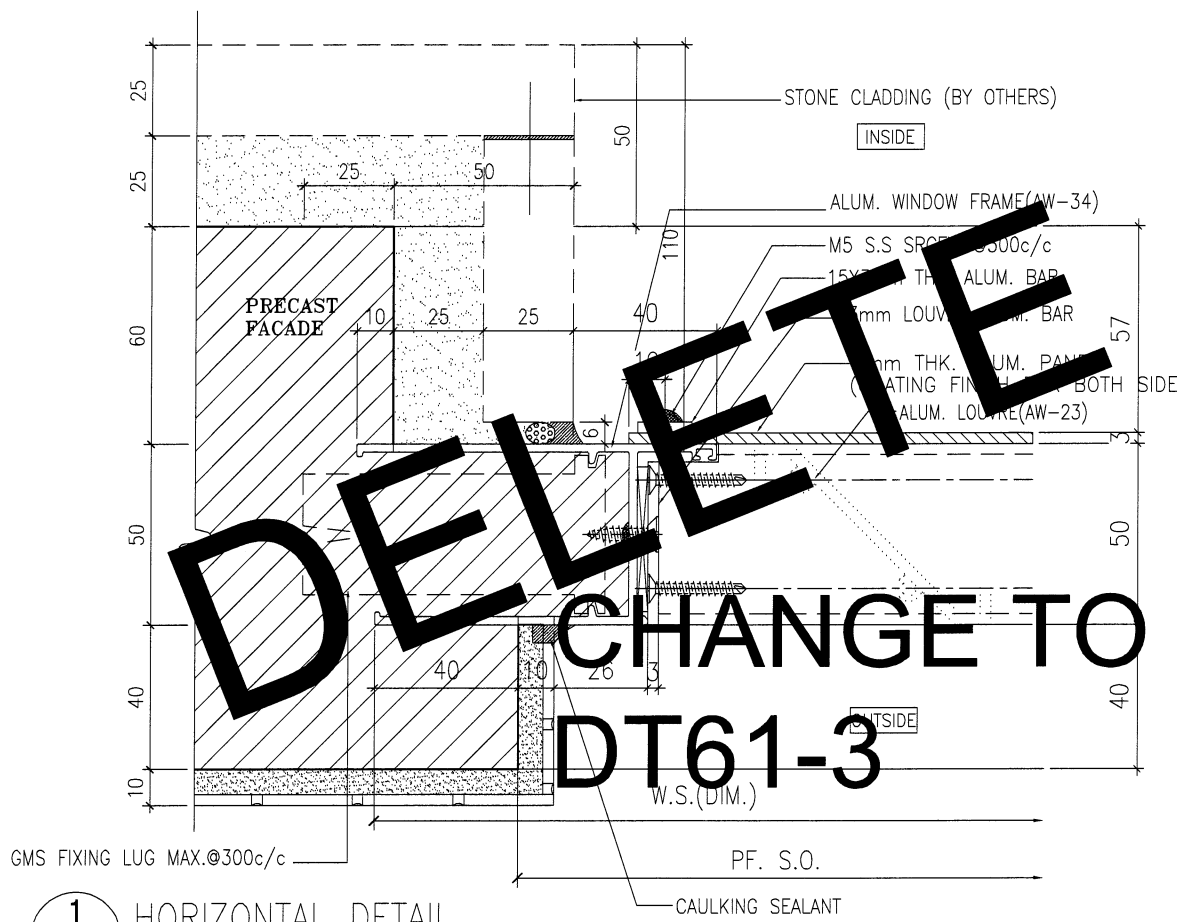
TITLE : TYPICAL DETAILS FOR ALUM. WINDOW

DATE : 10-Nov-21 SCALE : 1:2 (A3)

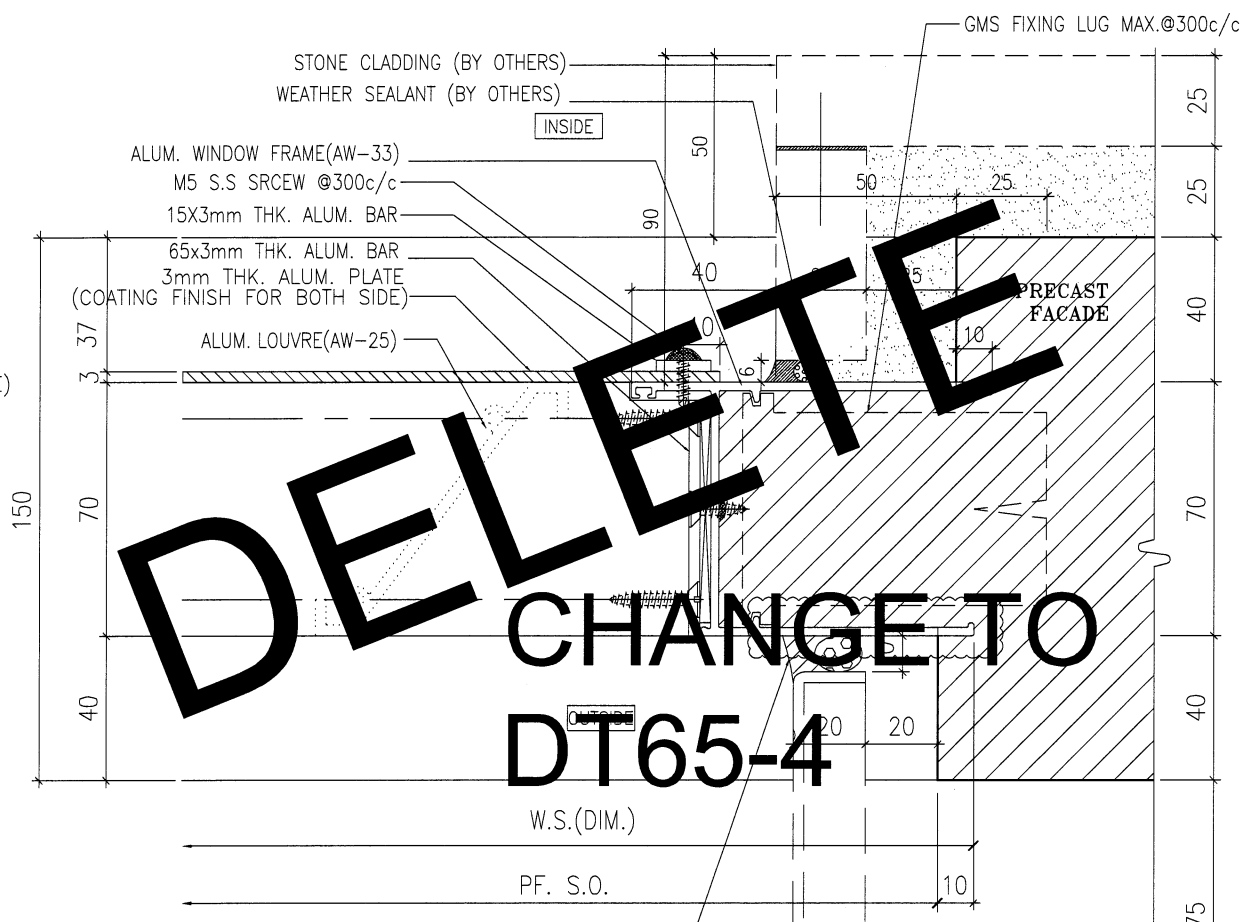
DRAWN BY : IVAN CHECKED BY :

美特鋁質有限公司
 MIDALUMINIUM FABRICATOR LTD.
 Units 6-8, Sunray Industrial Centre, 1/F
 610 Cha Kwo Ling Road, Kowloon
 Tel:23489211-4 Fax:(852)2727666

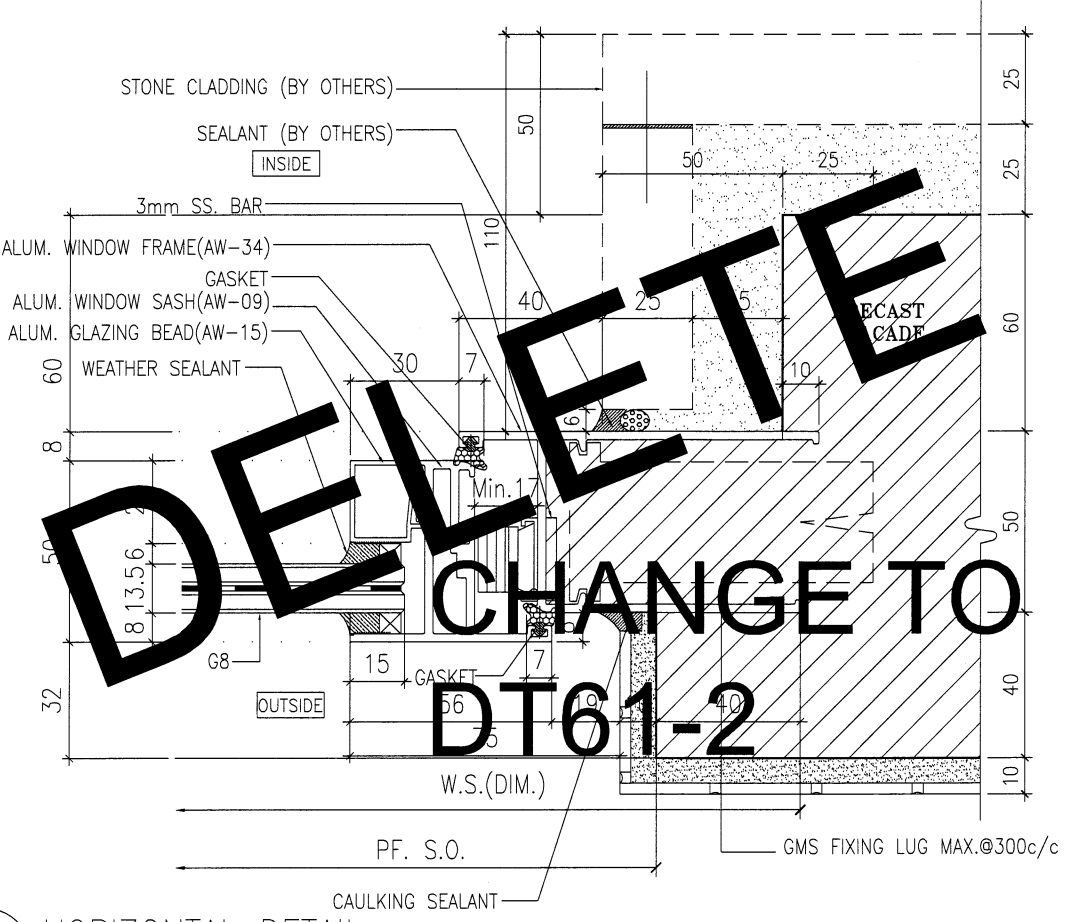
DWG NO. : J859-SD-PW-DT62 REV. : A



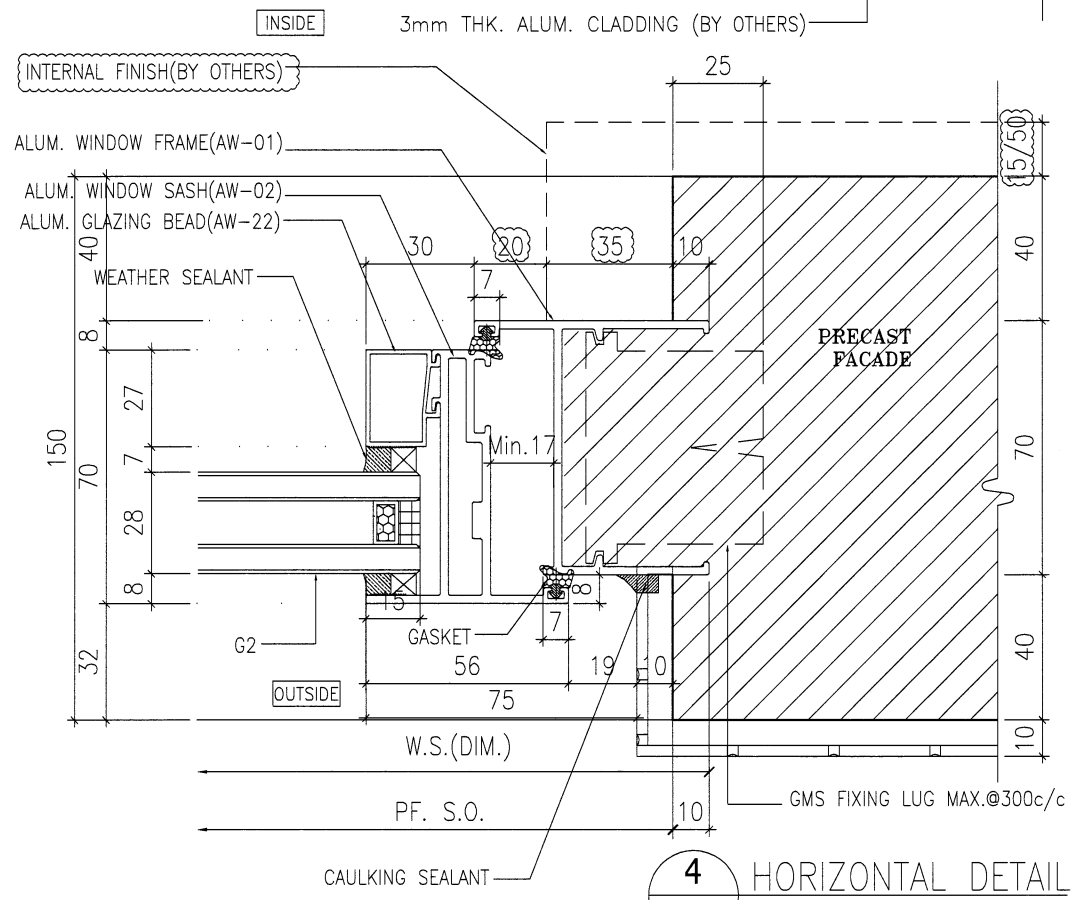
1 HORIZONTAL DETAIL



2 HORIZONTAL DETAIL



3 HORIZONTAL DETAIL



4 HORIZONTAL DETAIL

B.D. REF :

ARCHITECT :
WT WONG TUNG & PARTNERS LIMITED
ARCHITECTS & PLANNERS

STRUCTURAL ENGINEER :
SUN HUNG KAI
ARCHITECTS AND ENGINEERS LTD.
SUN HUNG KAI CENTRE, WANCHAI, HONGKONG
TEL. 28278111 FAX. 28272884

FACADE CONSULTANT:
α ALPHA CONSULTING LIMITED
Steel Structure & Facade Specialist

MAIN CONTRACTOR :
Sanfield Engineering Construction Ltd.

CLIENT :
SUN HUNG KAI
REAL ESTATE AGENCY LTD.
42/F SUN HUNG KAI CENTRE, WANCHAI, HONGKONG

NOTE :
1. ALL DIMENSIONS ARE IN mm.
2. ALL ELEVATIONS ARE VIEWED FROM OUTSIDE.
3. ALL DIMENSIONS TO BE VERIFIED ON SITE BEFORE FABRICATION.

LEGEND :
x1 - DETAIL MARK NO.
x001 - REFER SHEET NO.
1. F.F.L. -- FINISHED FLOOR LEVEL
2. S.F.L. -- STRUCTURAL FLOOR LEVEL
3. (R) -- REVERSED DETAIL
4. GLASS LEGEND
G1-8mmHS+12mm AIR GAP+10mmTP I.G.U.
G2-8mmHS+12mm AIR GAP+8mmTP I.G.U.
G2a-8mmHS+12mm AIR GAP+8mmTP+1.52PVB +6mm FEATURED GLASS (I.G.U.)
G8-6mm GREY HS+1.52PVB+6mm CLEAR HS

NO.	DATE	REVISION SUBJECT TO ARCH.COMMENT	BY
A	28/3/2022	REVISION SUBJECT TO ARCH.COMMENT	NW

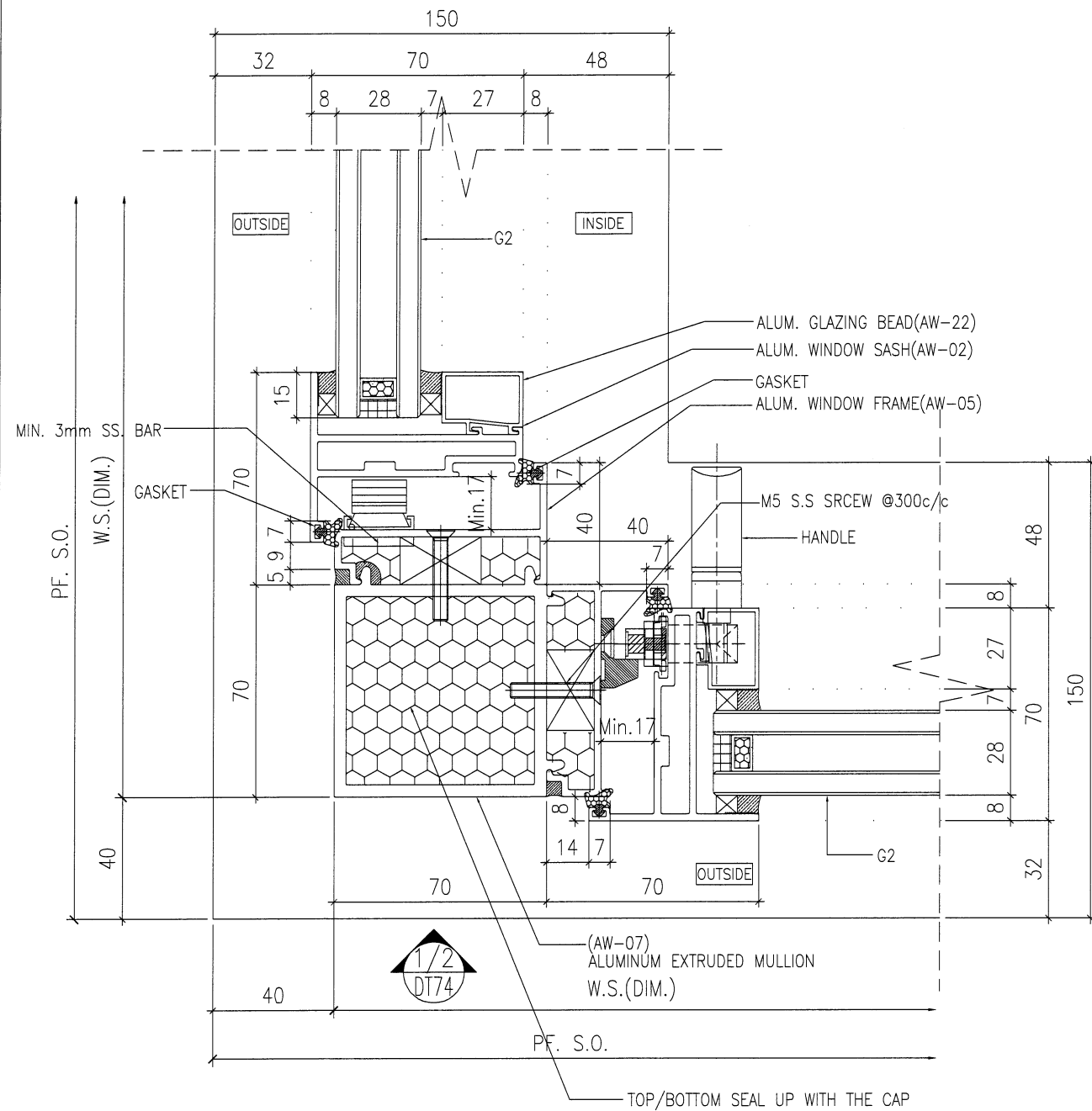
JOB NO. : J-859
PROJECT : PROPOSED RESIDENTIAL / COMMERCIAL DEVELOPMENT AT NKIL NO.6551 KAI TAK AREA 4C, SITE 3 KAI TAK, KOWLOON

TITLE : TYPICAL DETAILS FOR ALUM. WINDOW

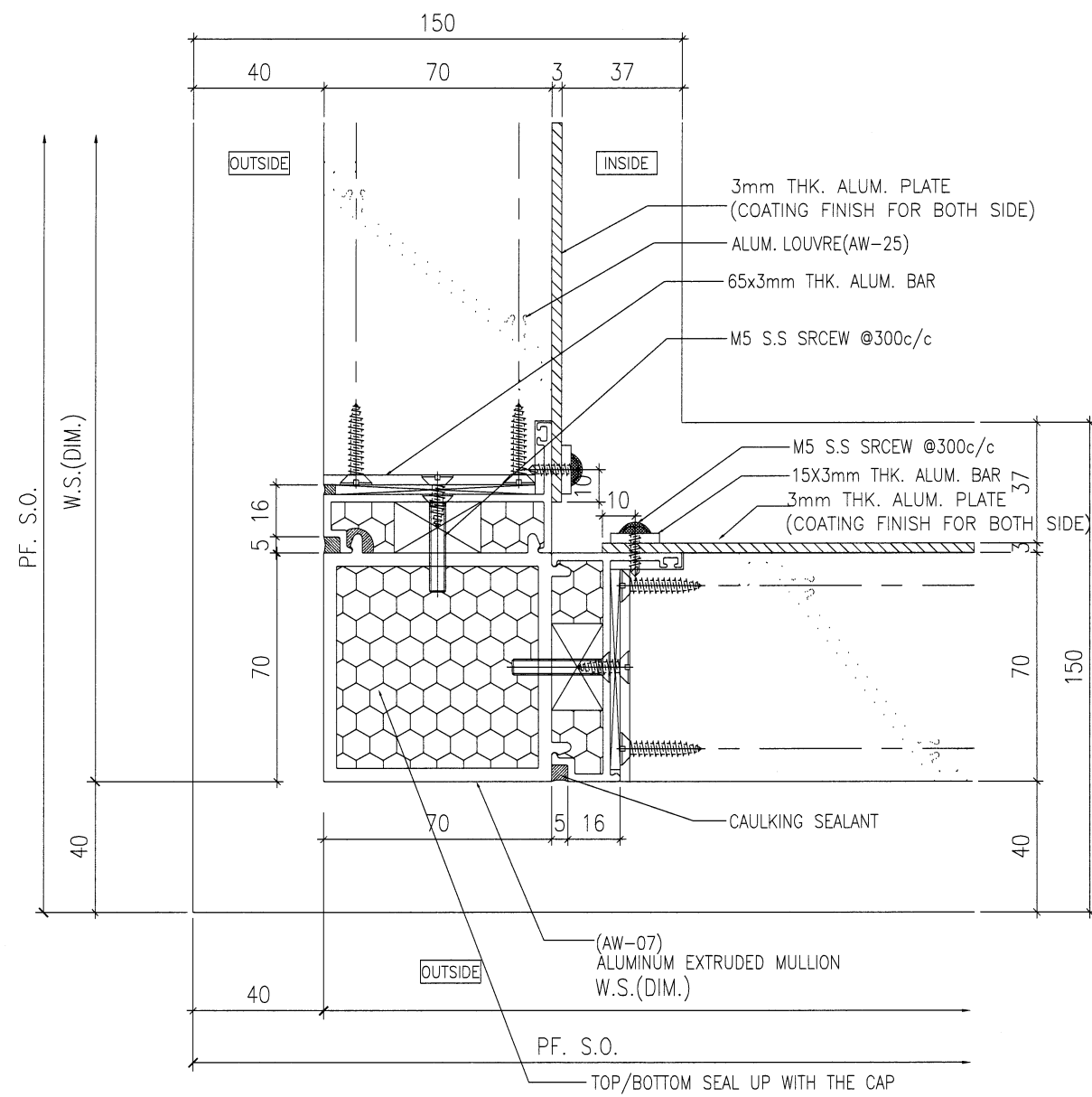
DATE : 10-Nov-21 SCALE : 1:2 (A3)
DRAWN BY : IVAN CHECKED BY :

美特鋁質有限公司
MIDI ALUMINIUM FABRICATOR LTD.
Units 6-8, Sunray Industrial Centre, 1/F
610 Cha Kwo Ling Road, Kowloon
Tel:23489211-4 Fax:(852)27727666

DWG NO. : J859-SD-PW-DT63 REV. : A



1 HORIZONTAL DETAIL



2 HORIZONTAL DETAIL

B.D. REF :

ARCHITECT :
WT
 WONG TUNG & PARTNERS LIMITED
 ARCHITECTS & PLANNERS

STRUCTURAL ENGINEER :
SUN HUNG KAI
 ARCHITECTS AND ENGINEERS LTD.
 SUN HUNG KAI CENTRE, WANCHAI, HONGKONG
 TEL. 28278111 FAX. 28272884

FAÇADE CONSULTANT:
α ALPHA CONSULTING LIMITED
 Steel Structure & Façade Specialist

MAIN CONTRACTOR :
Sanfield Engineering Construction Ltd.

CLIENT :
SUN HUNG KAI
 REAL ESTATE AGENCY LTD.
 42/F SUN HUNG KAI CENTRE, WANCHAI, HONGKONG

NOTE :
 1. ALL DIMENSIONS ARE IN mm.
 2. ALL ELEVATIONS ARE VIEWED FROM OUTSIDE.
 3. ALL DIMENSIONS TO BE VERIFIED ON SITE BEFORE FABRICATION.

LEGEND :
 (x1) — DETAIL MARK NO.
 (x001) — REFER SHEET NO.
 1. F.F.L. — FINISHED FLOOR LEVEL
 2. S.F.L. — STRUCTURAL FLOOR LEVEL
 3. (R) — REVERSED DETAIL
 4. GLASS LEGEND
 G1—8mmHS+12mm AIR GAP+10mmTP I.G.U.
 G2—8mmHS+12mm AIR GAP+8mmTP I.G.U.
 G2a—8mmHS+12mm AIR GAP+8mmTP+1.52PVB +6mm FEATURED GLASS (I.G.U.)
 GB—6mm GREY HS+1.52PVB+6mm CLEAR HS

NO.	DATE	REVISION SUBJECT TO ARCH.COMMENT	BY
A	28/3/2022	REVISION SUBJECT TO ARCH.COMMENT	IVAN

JOB NO. : J-859
 PROJECT : PROPOSED RESIDENTIAL / COMMERCIAL DEVELOPMENT AT NKIL NO.6551 KAI TAK AREA 4C, SITE 3 KAI TAK, KOWLOON

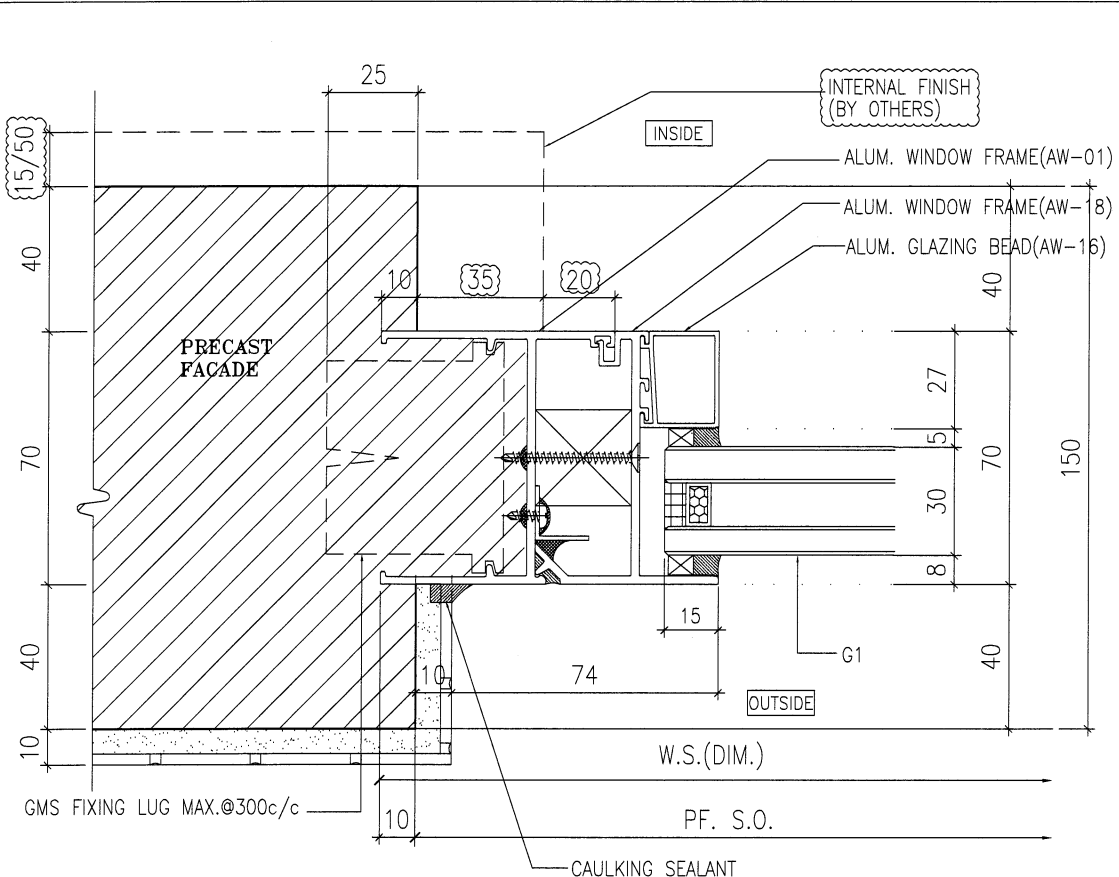
TITLE : TYPICAL DETAILS FOR ALUM. WINDOW

DATE : 10-Nov-21 SCALE : 1:2 (A3)

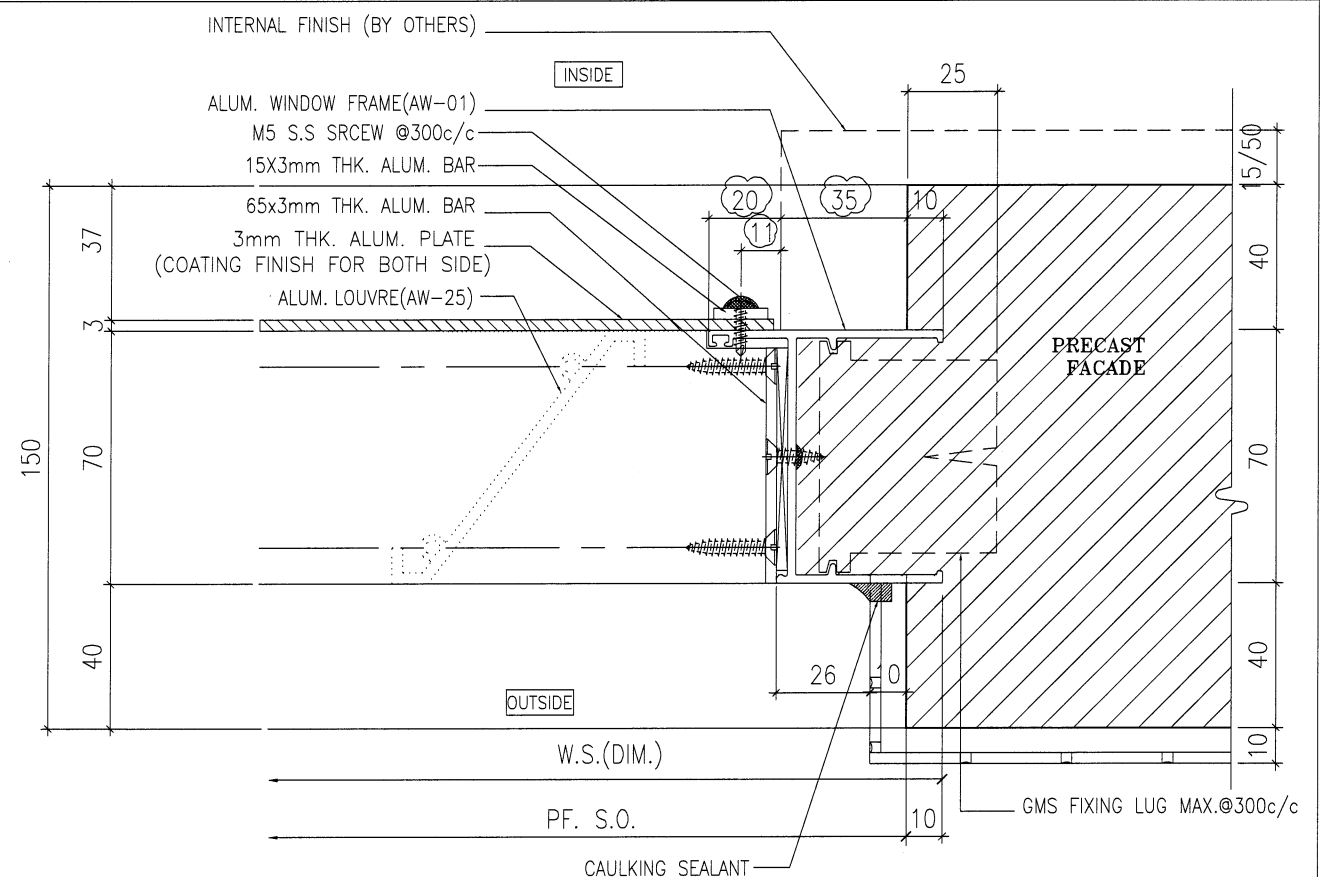
DRAWN BY : IVAN CHECKED BY :

MIDI ALUMINUM FABRICATOR LTD.
 美特鋁質有限公司
 Units 6-8, Sunray Industrial Centre, 1/F
 610 Cha Kwo Ling Road, Kowloon
 Tel:23489211-4 Fax:(852)27727666

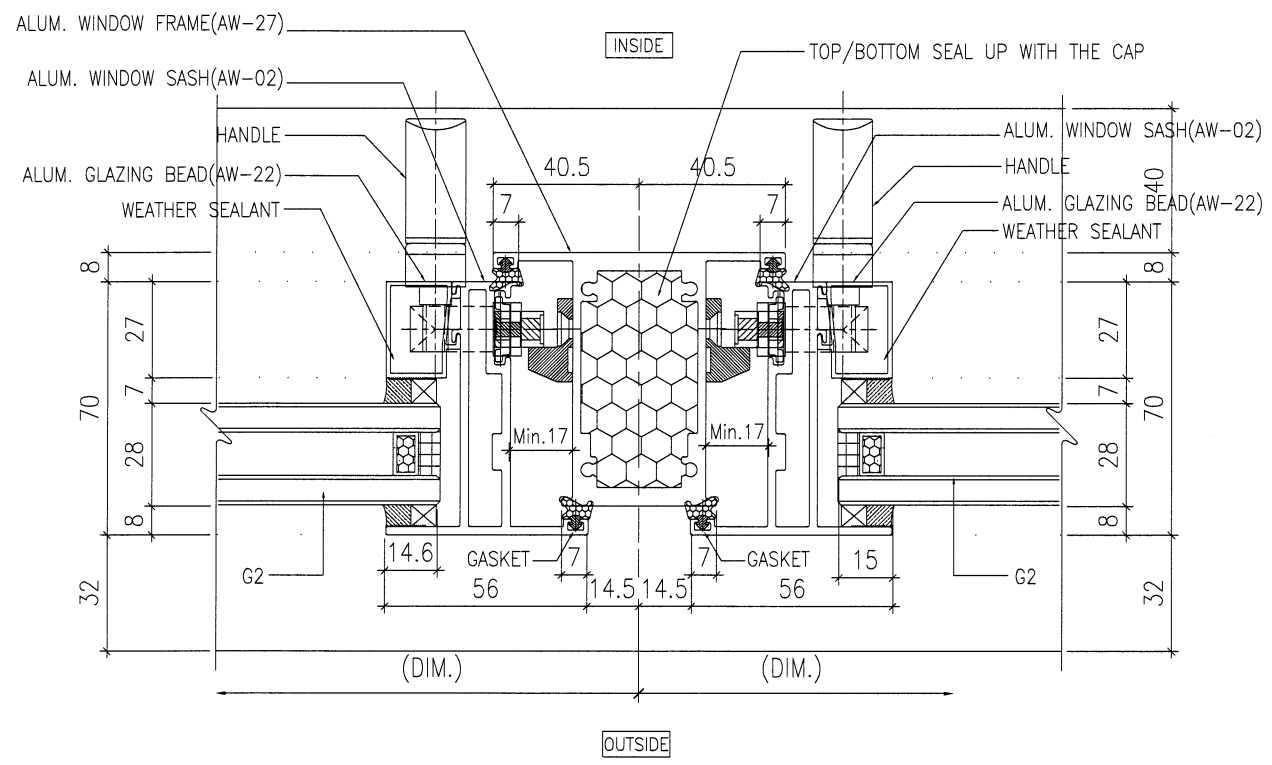
DWG NO. : J859-SD-PW-DT63a REV. : A



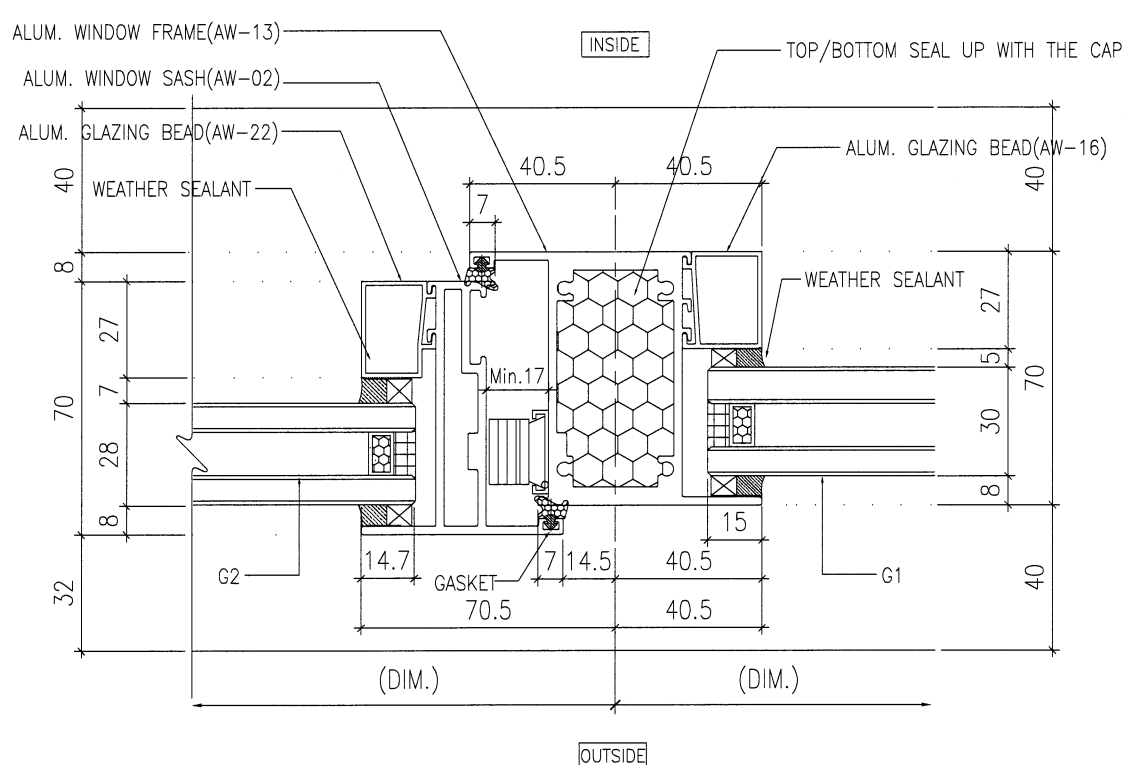
1 HORIZONTAL DETAIL



2 HORIZONTAL DETAIL



3 HORIZONTAL DETAIL



4 HORIZONTAL DETAIL

B.D. REF :

ARCHITECT : **WONG TUNG & PARTNERS LIMITED** ARCHITECTS & PLANNERS

STRUCTURAL ENGINEER : **SUN HUNG KAI** ARCHITECTS AND ENGINEERS LTD.
SUN HUNG KAI CENTRE, WANCHAI, HONGKONG
TEL: 28278111 FAX: 28272884

FACADE CONSULTANT: **ALPHA CONSULTING LIMITED**
Steel Structure & Facade Specialist

MAIN CONTRACTOR : **Sanfield Engineering Construction Ltd.**

CLIENT : **SUN HUNG KAI** REAL ESTATE AGENCY LTD.
42/F SUN HUNG KAI CENTRE, WANCHAI, HONGKONG

NOTE :

- ALL DIMENSIONS ARE IN mm.
- ALL ELEVATIONS ARE VIEWED FROM OUTSIDE.
- ALL DIMENSIONS TO BE VERIFIED ON SITE BEFORE FABRICATION.

LEGEND :

X1 --- DETAIL MARK NO.
X001 --- REFER SHEET NO.

- F.F.L. --- FINISHED FLOOR LEVEL
- S.F.L. --- STRUCTURAL FLOOR LEVEL
- ⊗ --- REVERSED DETAIL
- GLASS LEGEND
G1-8mmHS+12mm AIR GAP+10mmTP I.G.U.
G2-8mmHS+12mm AIR GAP+8mmTP I.G.U.
G2a-8mmHS+12mm AIR GAP+8mmTP+1.52PVB +6mm FEATURED GLASS (I.G.U.)
G8-6mm GREY HS+1.52PVB+6mm CLEAR HS

A	28/3/2022	REVISION SUBJECT TO ARCH.COMMENT	W
NO.	DATE	REVISED	BY

JOB NO. : J-859

PROJECT : PROPOSED RESIDENTIAL / COMMERCIAL DEVELOPMENT AT NKIL NO.6551 KAI TAK AREA 4C, SITE 3 KAI TAK, KOWLOON

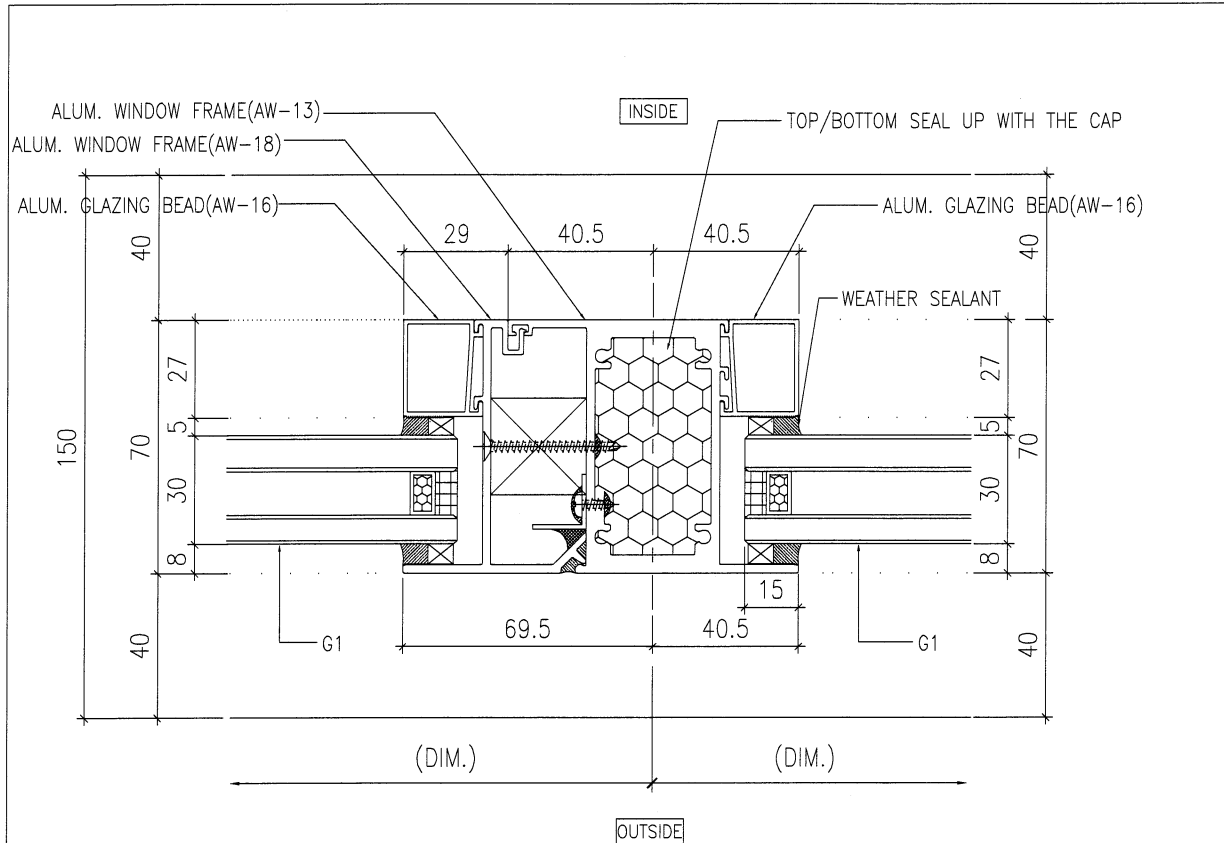
TITLE : TYPICAL DETAILS FOR ALUM. WINDOW

DATE : 10-Nov-21 SCALE : 1:2 (A3)

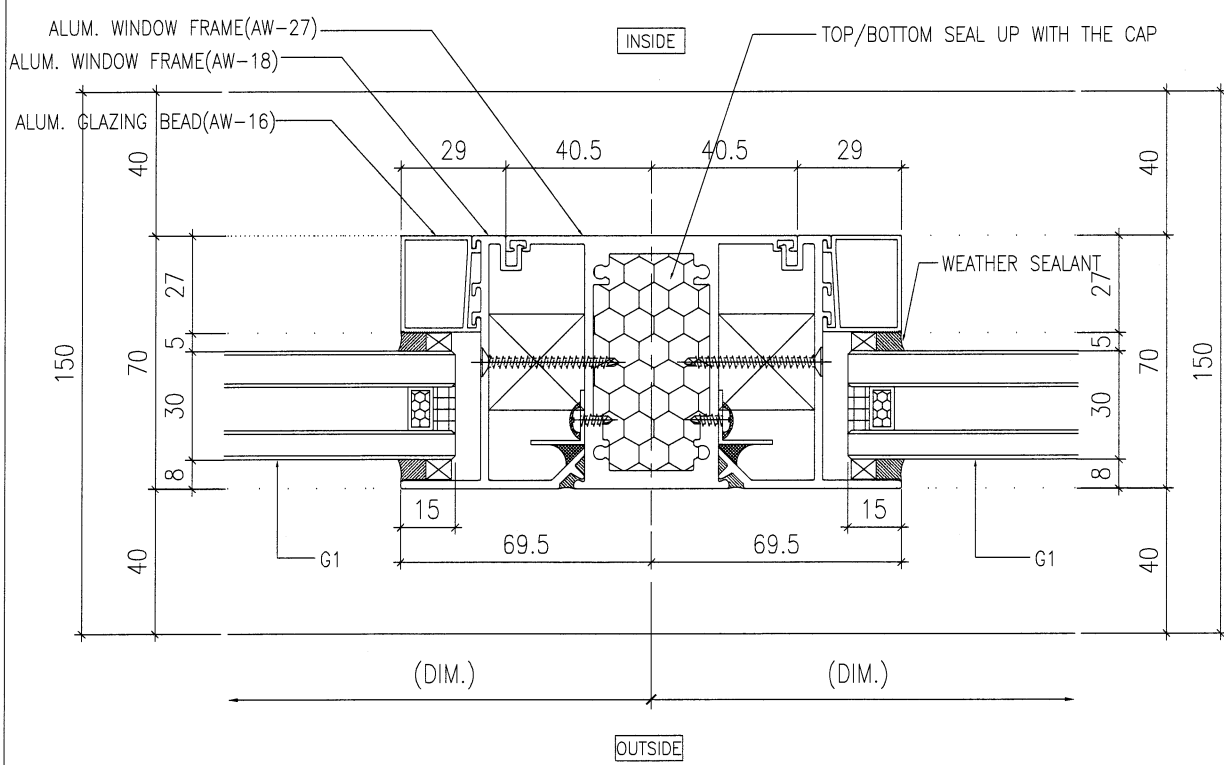
DRAWN BY : IVAN CHECKED BY :

美特鋁質有限公司
MIDI ALUMINUM FABRICATOR LTD.
Units 6-8, Sunray Industrial Centre, 1/F
610 Cha Kwo Ling Road, Kowloon
Tel:23489211-4 Fax:(852)2772666

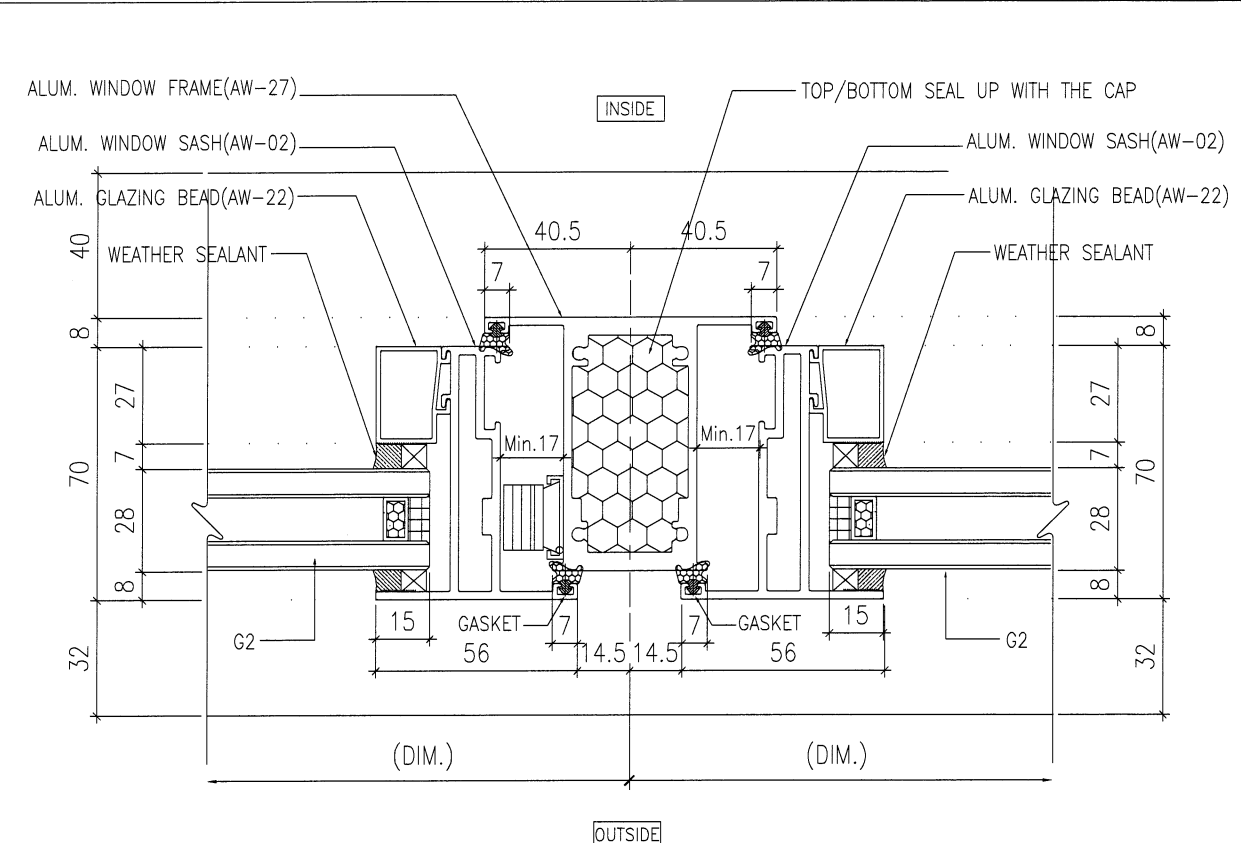
DWG NO. : J859-SD-PW-DT64 REV. : A



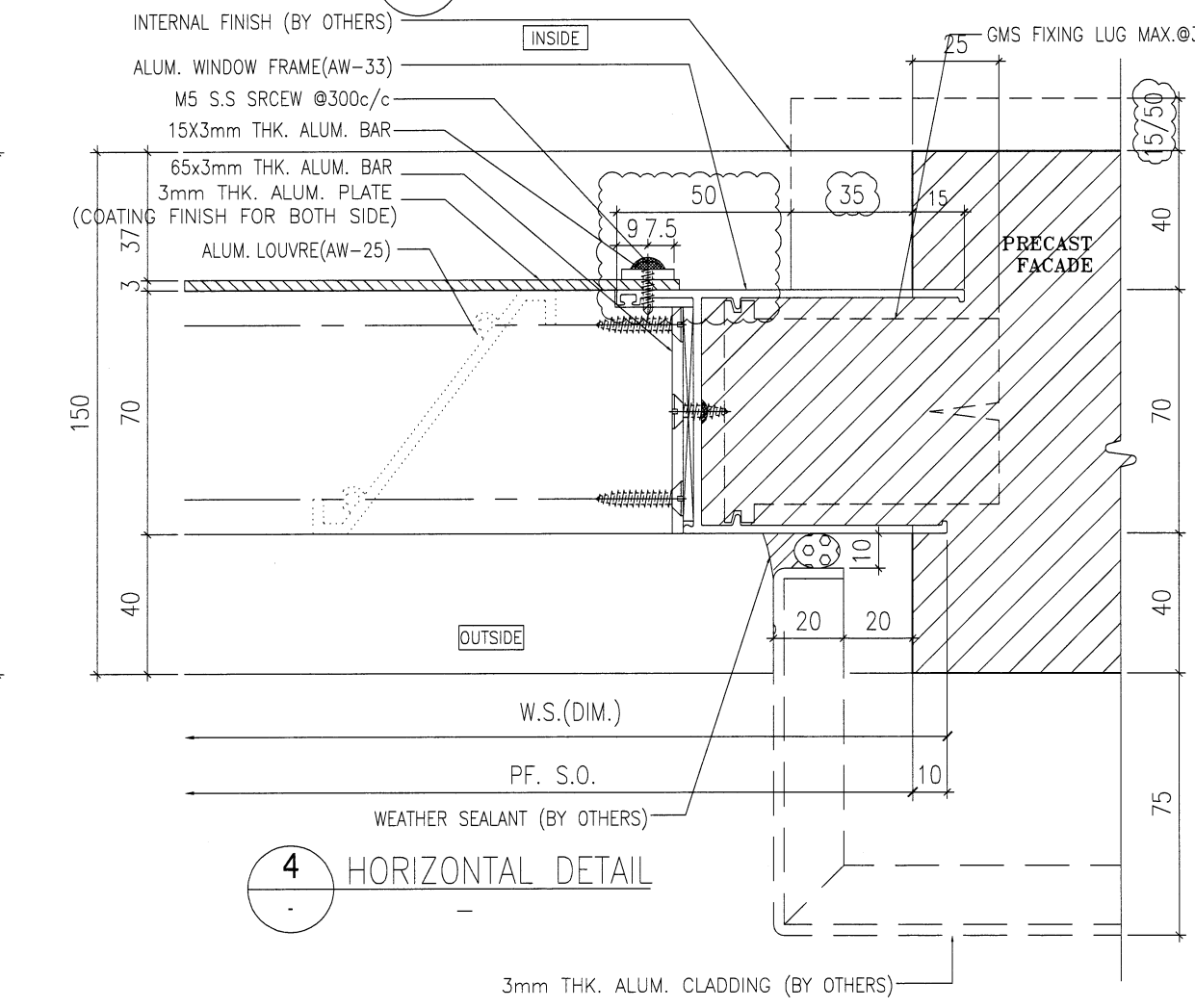
1 HORIZONTAL DETAIL



3 HORIZONTAL DETAIL



2 HORIZONTAL DETAIL



4 HORIZONTAL DETAIL

B.D. REF :

ARCHITECT :
WT WONG TUNG & PARTNERS LIMITED
 ARCHITECTS & PLANNERS

STRUCTURAL ENGINEER :
SUN HUNG KAI
 ARCHITECTS AND ENGINEERS LTD.
 SUN HUNG KAI CENTRE, WANCHAI, HONGKONG
 TEL: 28278111 FAX: 28272884

FACADE CONSULTANT:
α ALPHA CONSULTING LIMITED
 Steel Structure & Facade Specialist

MAIN CONTRACTOR :
Sanfield Engineering Construction Ltd.

CLIENT :
SUN HUNG KAI
 REAL ESTATE AGENCY LTD.
 42/F SUN HUNG KAI CENTRE, WANCHAI, HONGKONG

NOTE:
 1. ALL DIMENSIONS ARE IN mm.
 2. ALL ELEVATIONS ARE VIEWED FROM OUTSIDE.
 3. ALL DIMENSIONS TO BE VERIFIED ON SITE BEFORE FABRICATION.

LEGEND:
 (X1) — DETAIL MARK NO.
 (X001) — REFER SHEET NO.
 1. F.F.L. — FINISHED FLOOR LEVEL
 2. S.F.L. — STRUCTURAL FLOOR LEVEL
 3. (R) — REVERSED DETAIL
 4. GLASS LEGEND
 G1—8mmHS+12mm AIR GAP+10mmTP I.G.U.
 G2—8mmHS+12mm AIR GAP+8mmTP I.G.U.
 G2a—8mmHS+12mm AIR GAP+8mmTP+1.52PVB +6mm FEATURED GLASS (I.G.U.)
 G8—6mm GREY HS+1.52PVB+6mm CLEAR HS

A	28/3/2022	REVISION SUBJECT TO ARCH.COMMENT	NAN
NO.	DATE	REVISED	BY

JOB NO. : J-859
 PROJECT : PROPOSED RESIDENTIAL / COMMERCIAL DEVELOPMENT AT NKIL NO.6551 KAI TAK AREA 4C, SITE 3 KAI TAK, KOWLOON

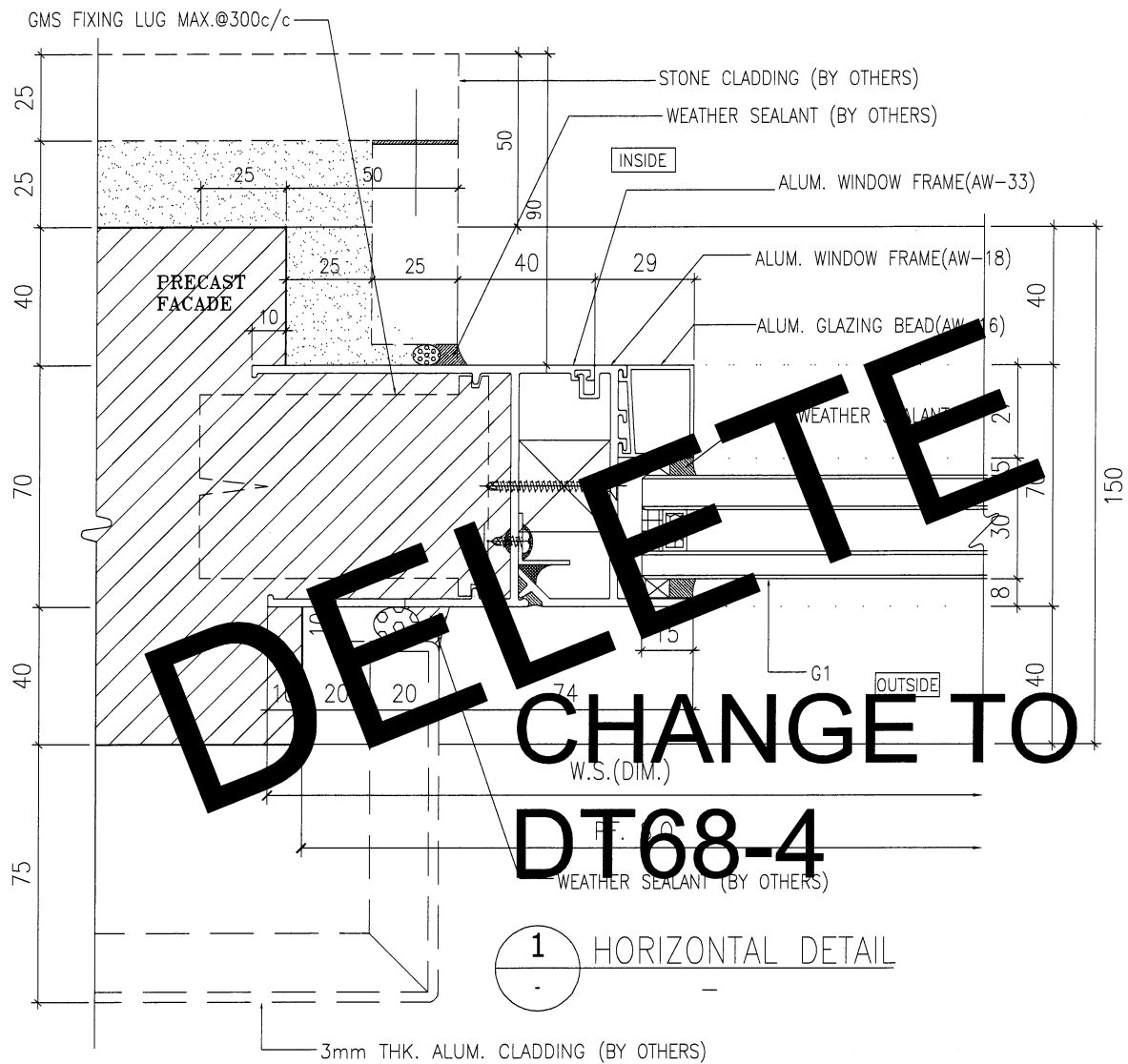
TITLE : TYPICAL DETAILS FOR ALUM. WINDOW

DATE : 10-Nov-21 SCALE : 1:2 (A3)

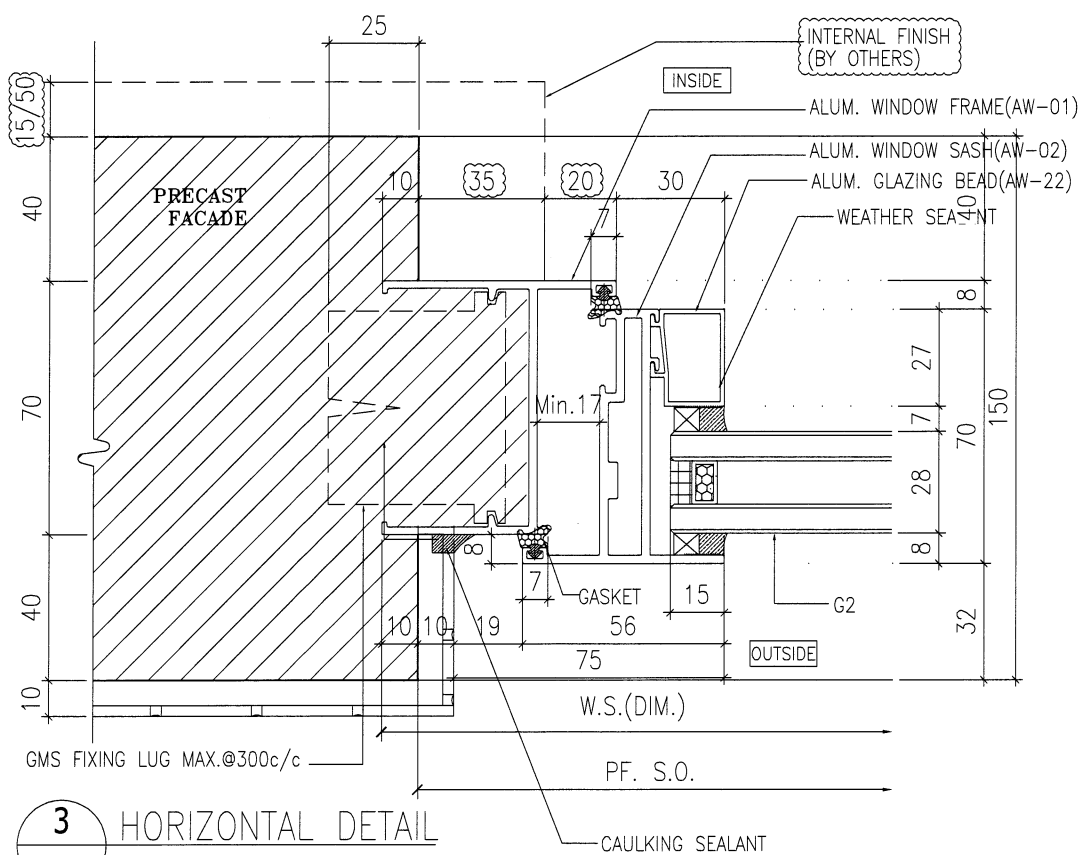
DRAWN BY : IVAN CHECKED BY :

美特鋁質有限公司
MIDI ALUMINIUM FABRICATOR LTD.
 Units 6-8, Sunray Industrial Centre, 1/F
 610 Cha Kwo Ling Road, Kowloon
 Tel:23489211-4 Fax:(852)27727666

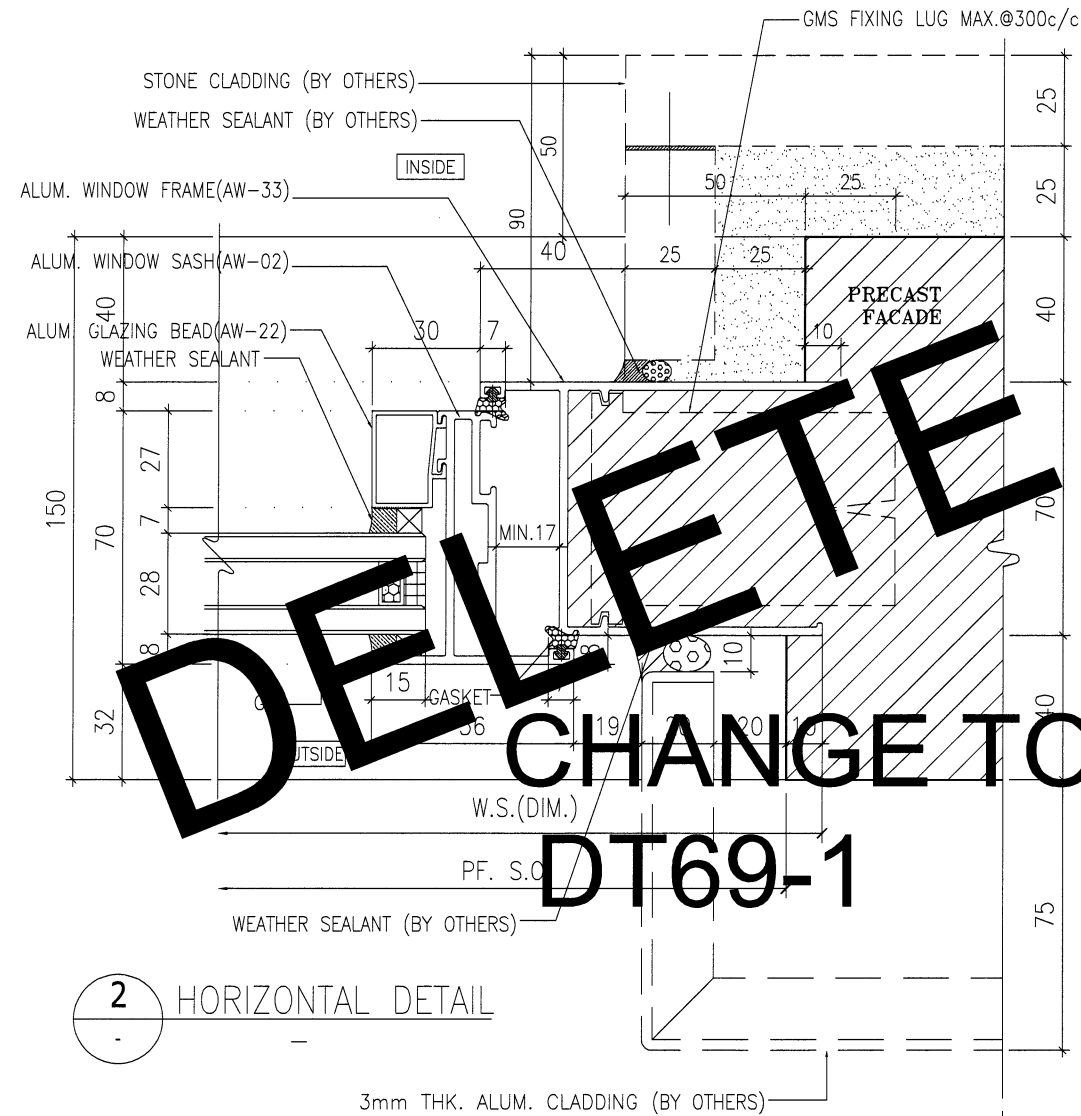
DWG NO. : J859-SD-PW-DT65 REV. : A



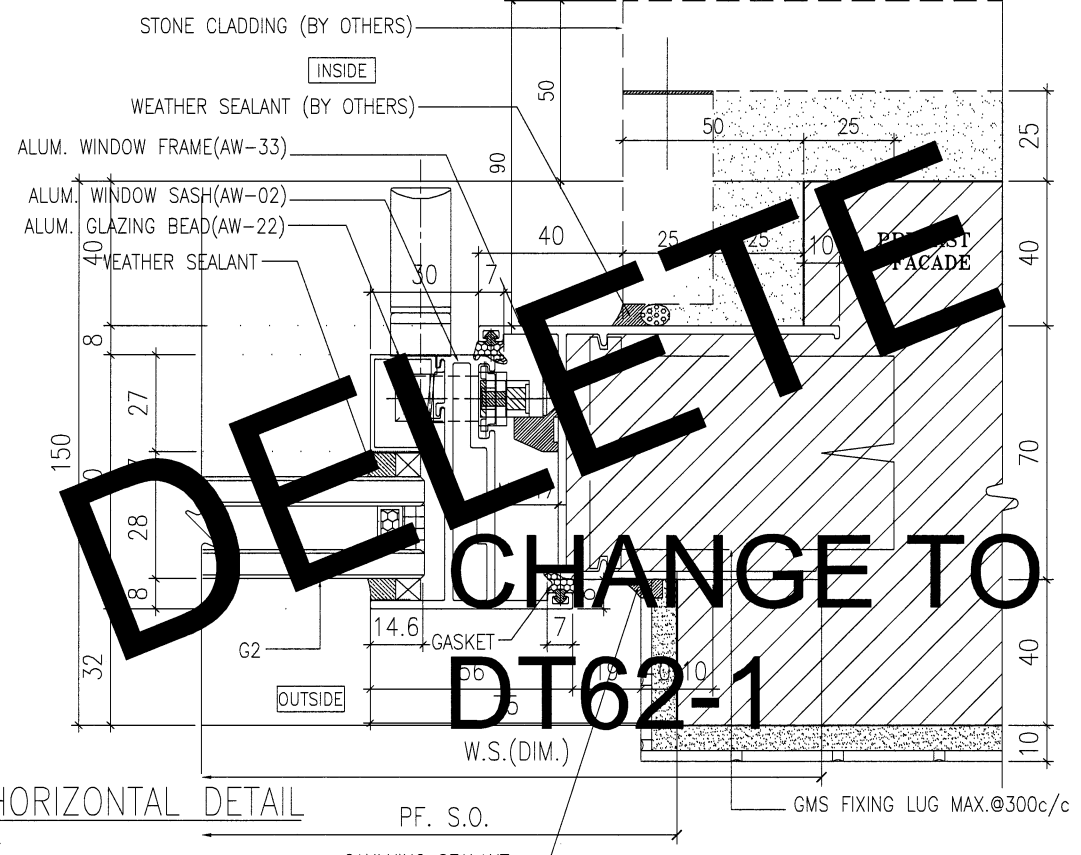
1 HORIZONTAL DETAIL



3 HORIZONTAL DETAIL



2 HORIZONTAL DETAIL



4 HORIZONTAL DETAIL

B.D. REF :

ARCHITECT :
WT WONG TUNG & PARTNERS LIMITED
ARCHITECTS & PLANNERS

STRUCTURAL ENGINEER :
SUN HUNG KAI
ARCHITECTS AND ENGINEERS LTD.
SUN HUNG KAI CENTRE, WANCHAI, HONGKONG
TEL: 28278111 FAX: 28272884

FAÇADE CONSULTANT:
α ALPHA CONSULTING LIMITED
Steel Structure & Façade Specialist

MAIN CONTRACTOR :
Sanfield Engineering Construction Ltd.

CLIENT :
SUN HUNG KAI
REAL ESTATE AGENCY LTD.
42/F SUN HUNG KAI CENTRE, WANCHAI, HONGKONG

NOTE :
1. ALL DIMENSIONS ARE IN mm.
2. ALL ELEVATIONS ARE VIEWED FROM OUTSIDE.
3. ALL DIMENSIONS TO BE VERIFIED ON SITE BEFORE FABRICATION.

LEGEND :
X1 ——— DETAIL MARK NO.
X001 ——— REFER SHEET NO.
1. F.F.L. — FINISHED FLOOR LEVEL
2. S.F.L. — STRUCTURAL FLOOR LEVEL
3. (R) — REVERSED DETAIL
4. GLASS LEGEND
G1 — 8mmHS+12mm AIR GAP+10mmTP I.G.U.
G2 — 8mmHS+12mm AIR GAP+8mmTP I.G.U.
G2a — 8mmHS+12mm AIR GAP+8mmTP+1.52PVB+6mm FEATURED GLASS (I.G.U.)
G8 — 6mm GREY HS+1.52PVB+6mm CLEAR HS

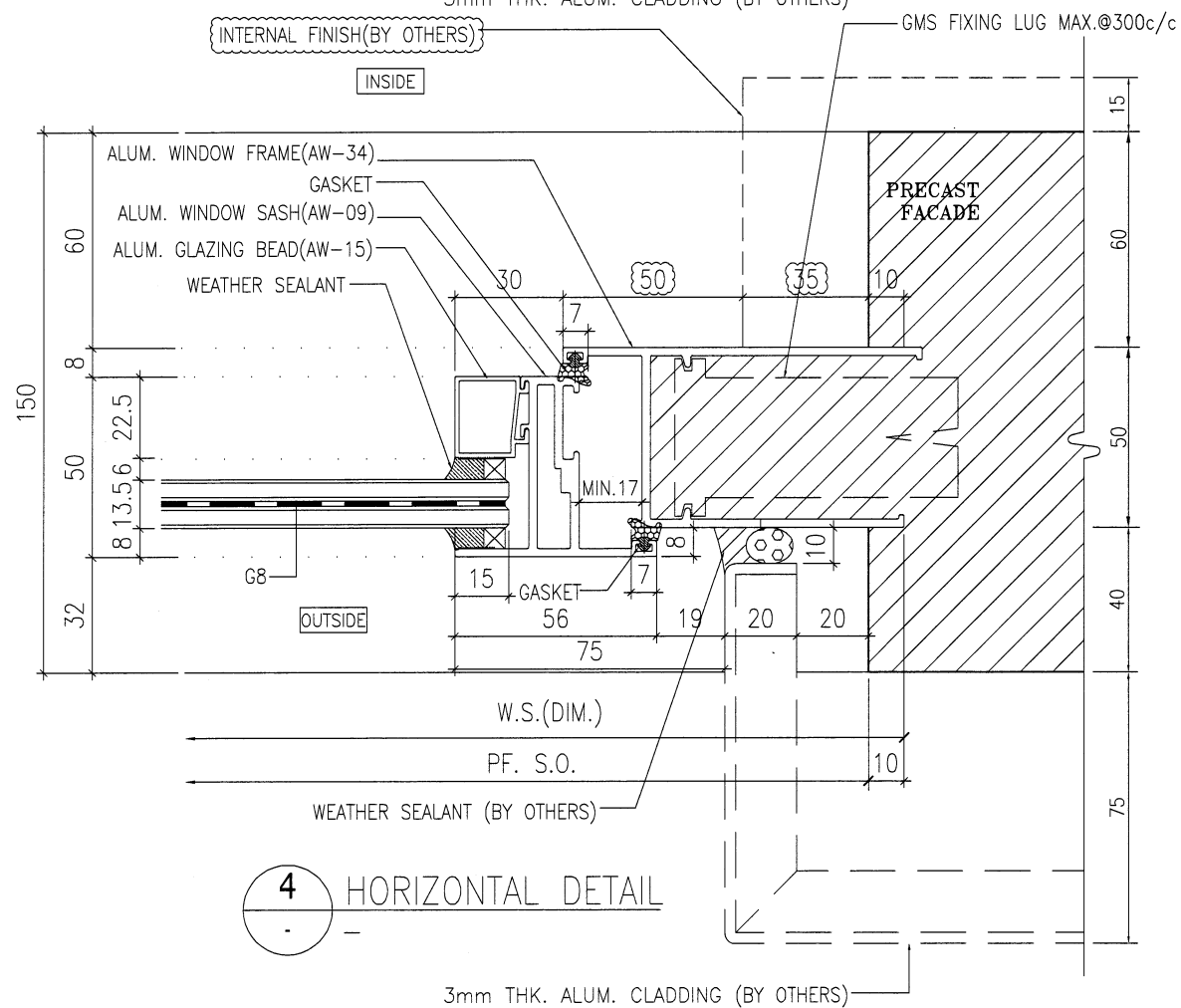
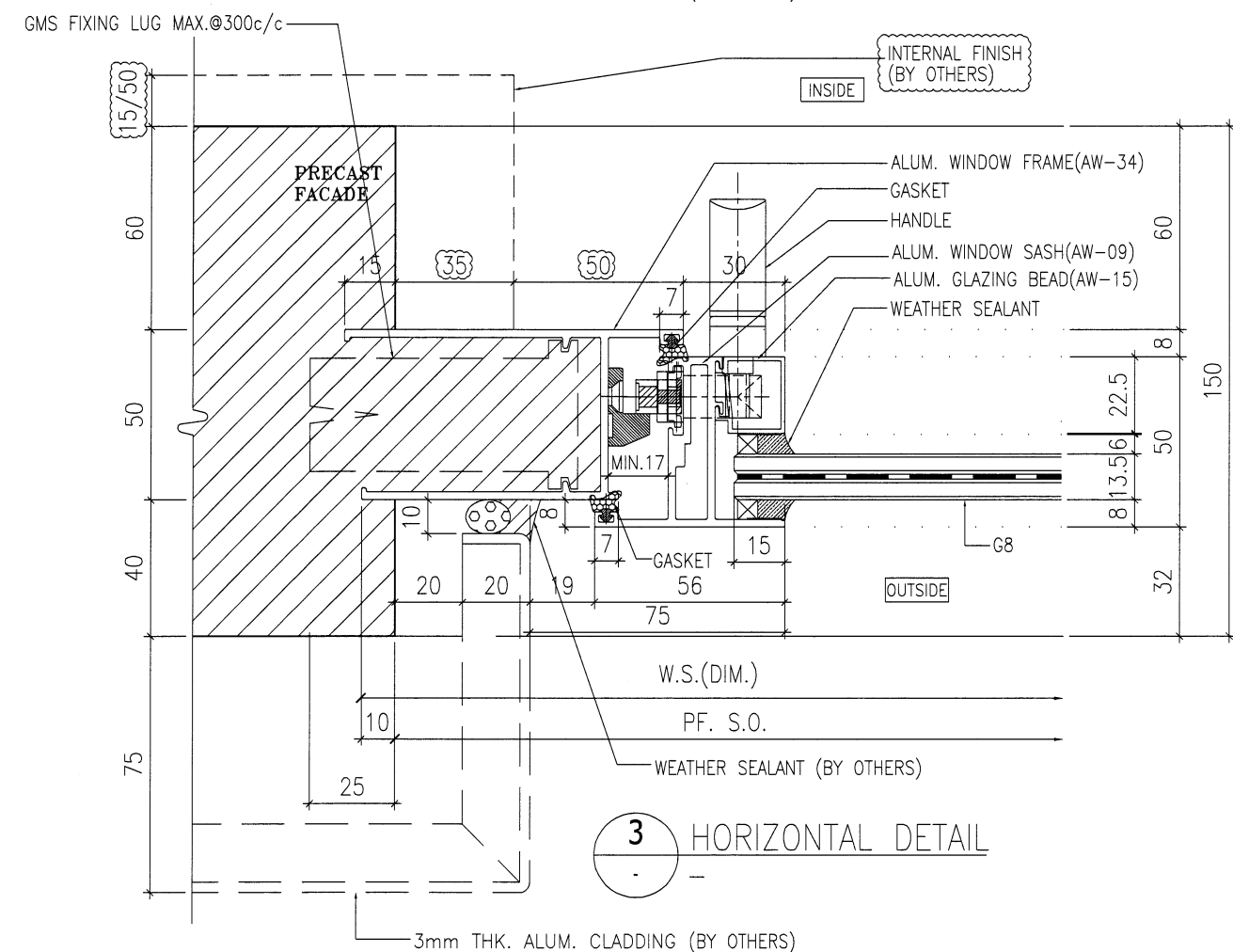
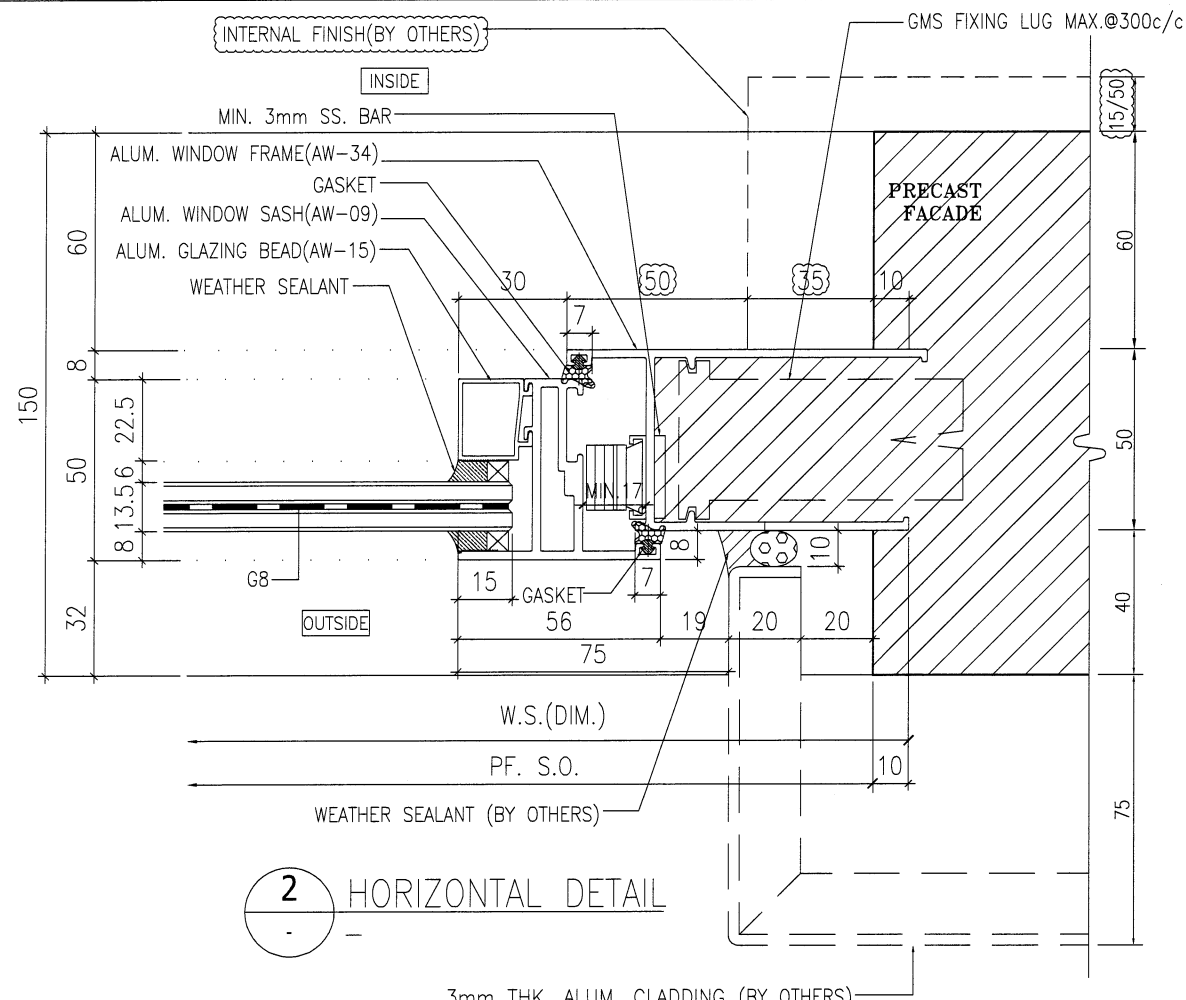
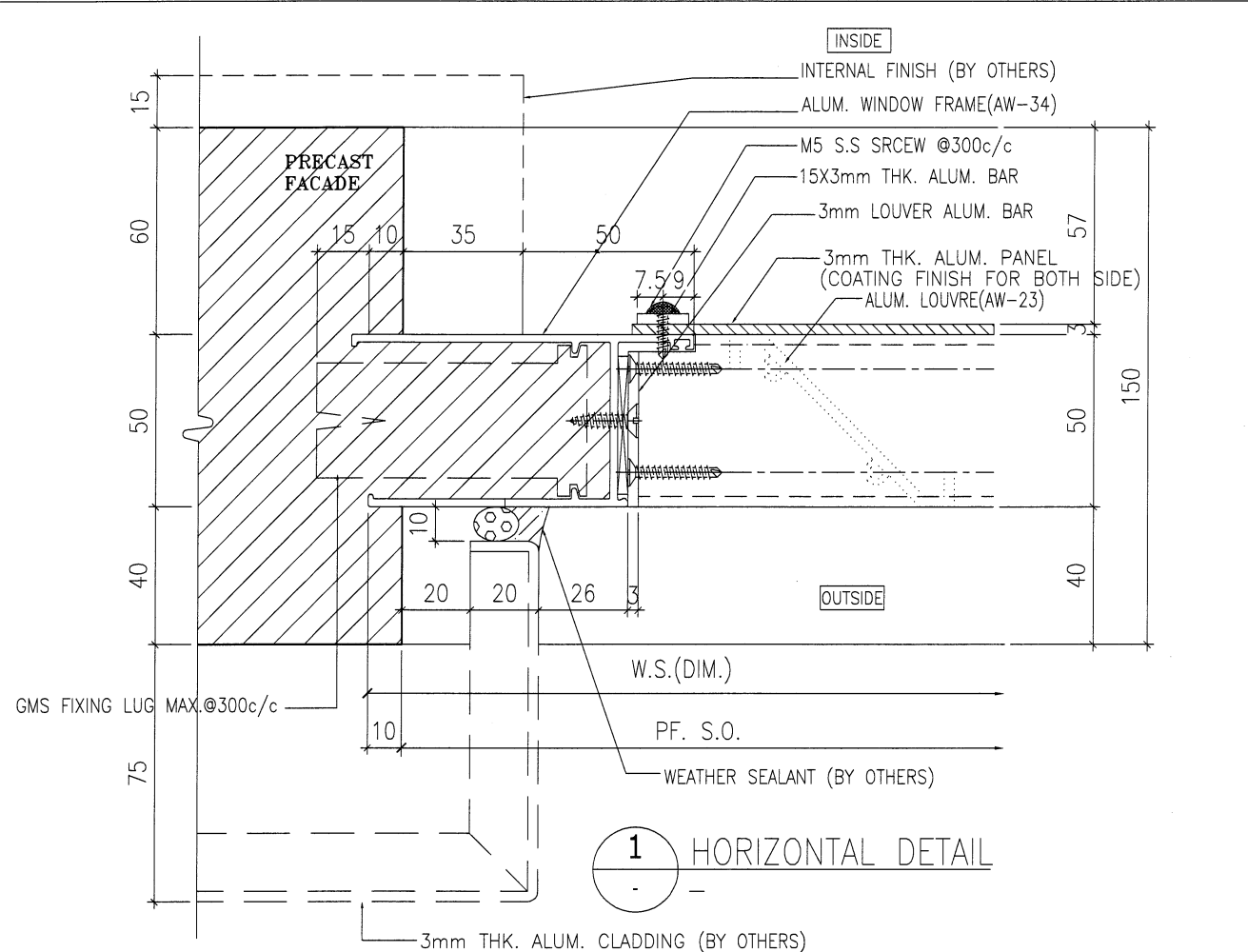
NO.	DATE	REVISION SUBJECT TO ARCH.COMMENT	MAN	BY
A	28/3/2022	REVISION SUBJECT TO ARCH.COMMENT		

JOB NO. : J-859
PROJECT : PROPOSED RESIDENTIAL / COMMERCIAL DEVELOPMENT AT NKIL NO.6551 KAI TAK AREA 4C, SITE 3 KAI TAK, KOWLOON

TITLE : TYPICAL DETAILS FOR ALUM. WINDOW

DATE : 10-Nov-21 SCALE : 1:2 (A3)
DRAWN BY : IVAN CHECKED BY :

美特鋁質有限公司
MIDI ALUMINIUM FABRICATOR LTD.
Units 6-8, Sunray Industrial Centre, 1/F
510 Cha Kwo Ling Road, Kowloon
Tel:23489211-4 Fax:(852)27727666
DWG NO. : J859-SD-PW-DT66 REV. : A



B.D. REF :

ARCHITECT :
WT WONG TUNG & PARTNERS LIMITED
 ARCHITECTS & PLANNERS

STRUCTURAL ENGINEER :
SK SUN HUNG KAI
 ARCHITECTS AND ENGINEERS LTD.
 SUN HUNG KAI CENTRE, WANCHAI, HONGKONG
 TEL: 28278111 FAX: 28272884

FACADE CONSULTANT:
α ALPHA CONSULTING LIMITED
 Steel Structure & Facade Specialist

MAIN CONTRACTOR :
Sanfield Engineering Construction Ltd.

CLIENT :
SK SUN HUNG KAI
 REAL ESTATE AGENCY LTD.
 42/F SUN HUNG KAI CENTRE, WANCHAI, HONGKONG

NOTE:
 1. ALL DIMENSIONS ARE IN mm.
 2. ALL ELEVATIONS ARE VIEWED FROM OUTSIDE.
 3. ALL DIMENSIONS TO BE VERIFIED ON SITE BEFORE FABRICATION.

LEGEND:
 X1 - DETAIL MARK NO.
 x001 - REFER SHEET NO.

1. F.F.L. --- FINISHED FLOOR LEVEL
 2. S.F.L. --- STRUCTURAL FLOOR LEVEL
 3. (R) --- REVERSED DETAIL
 4. GLASS LEGEND
 G1-8mmHS+12mm AIR GAP+10mmTP I.G.U.
 G2-8mmHS+12mm AIR GAP+8mmTP I.G.U.
 G2a-8mmHS+12mm AIR GAP+8mmTP+1.52PVB +6mm FEATURED GLASS (I.G.U.)
 G8-6mm GREY HS+1.52PVB+6mm CLEAR HS

A	28/3/2022	REVISION SUBJECT TO ARCH.COMMENT	IVAN
NO.	DATE	REVISED	BY

JOB NO. : J-859
 PROJECT : PROPOSED RESIDENTIAL / COMMERCIAL DEVELOPMENT AT NKIL NO.6551 KAI TAK AREA 4C, SITE 3 KAI TAK, KOWLOON

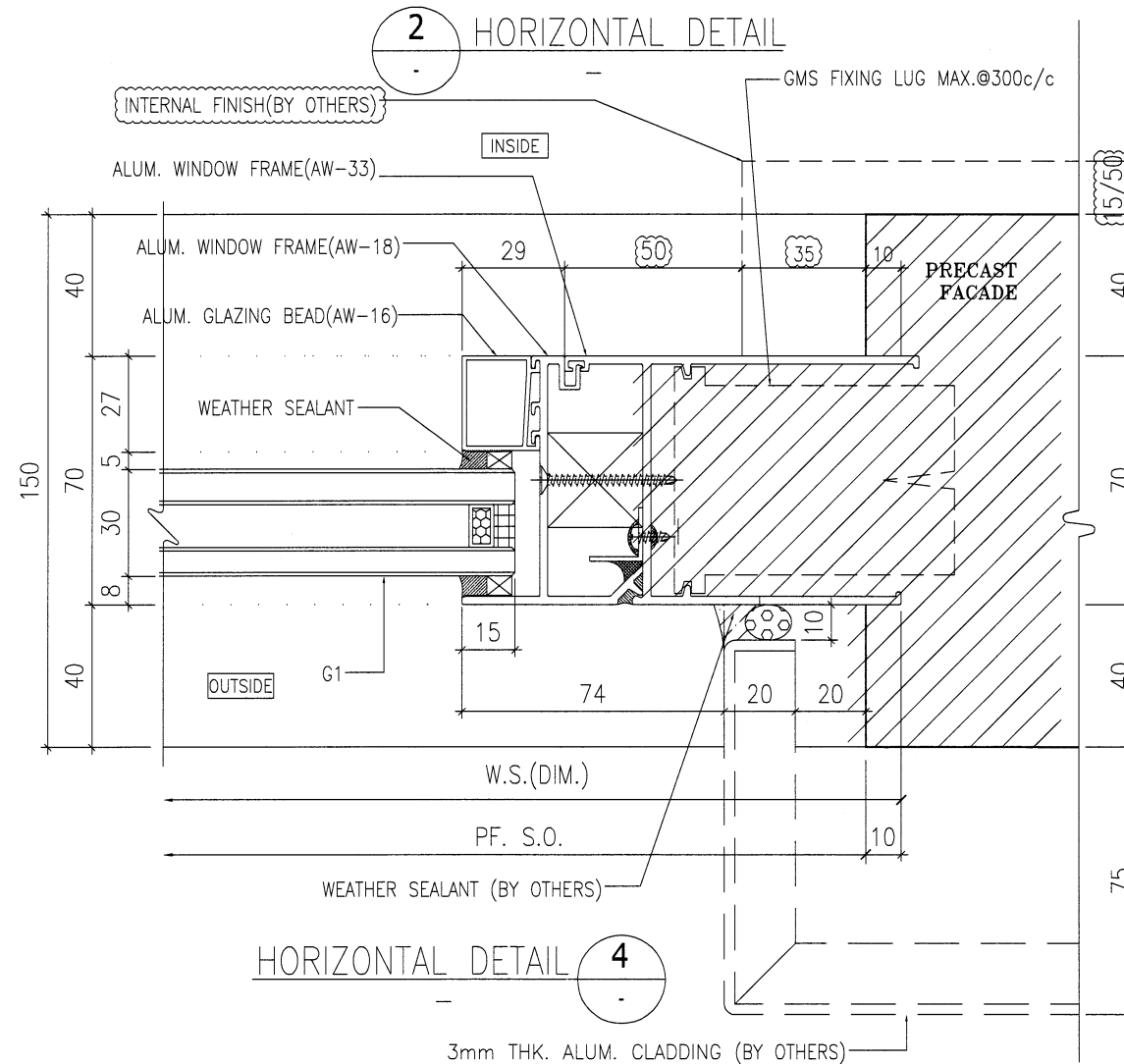
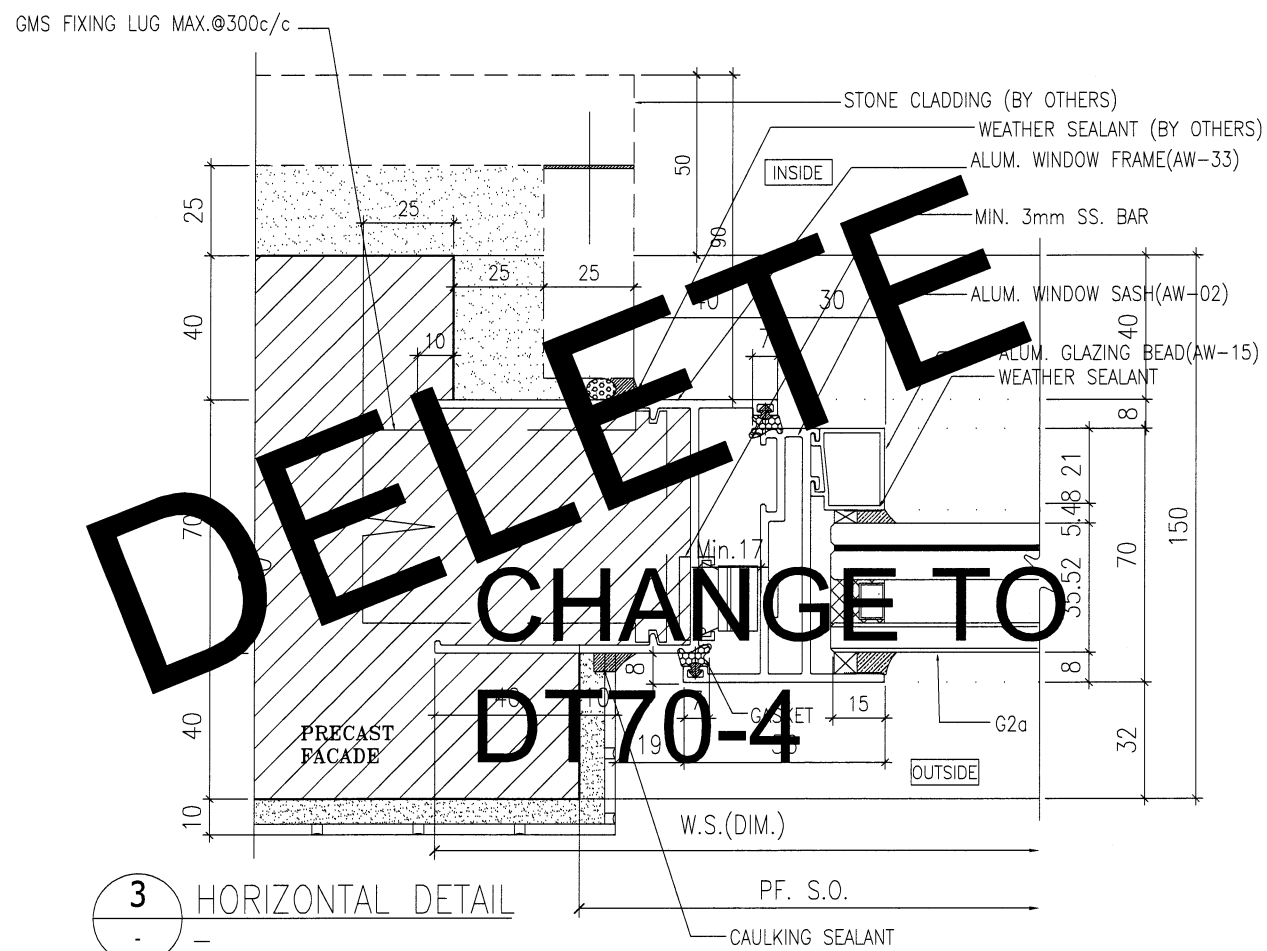
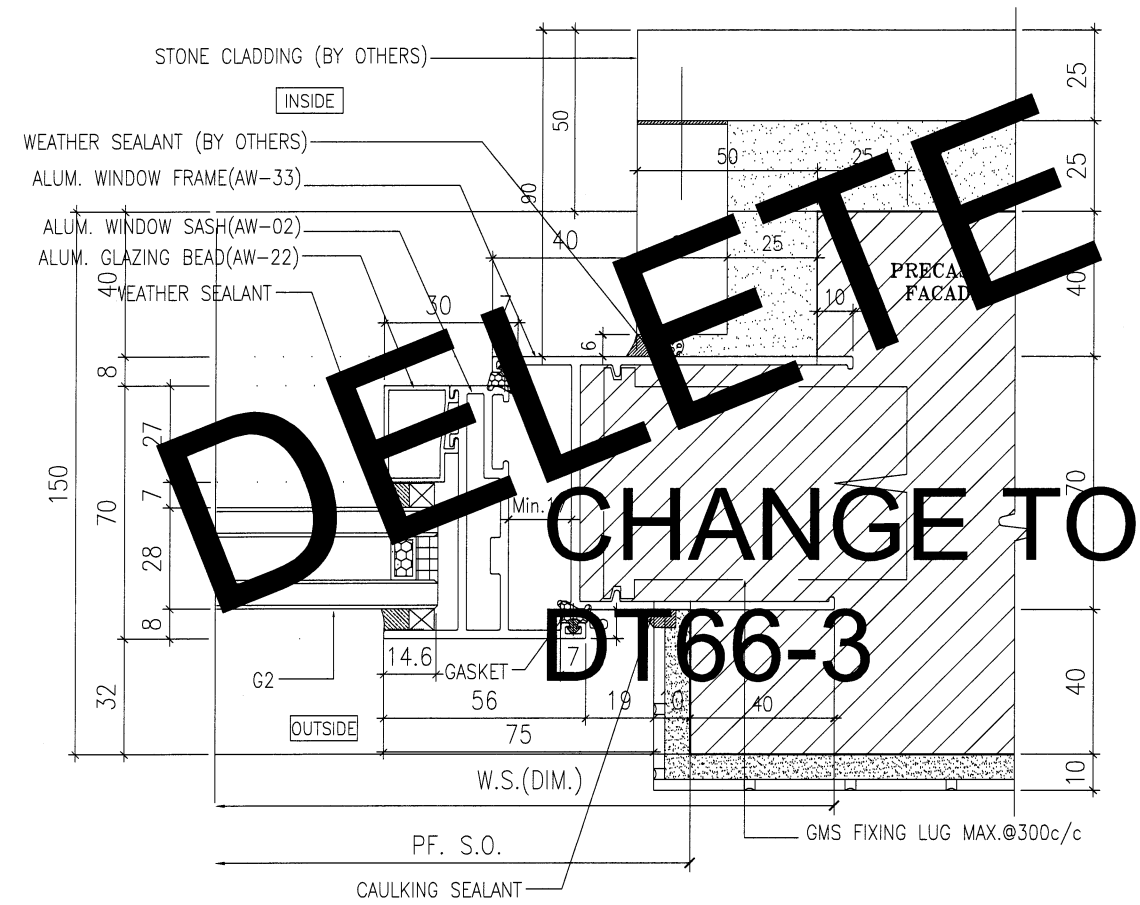
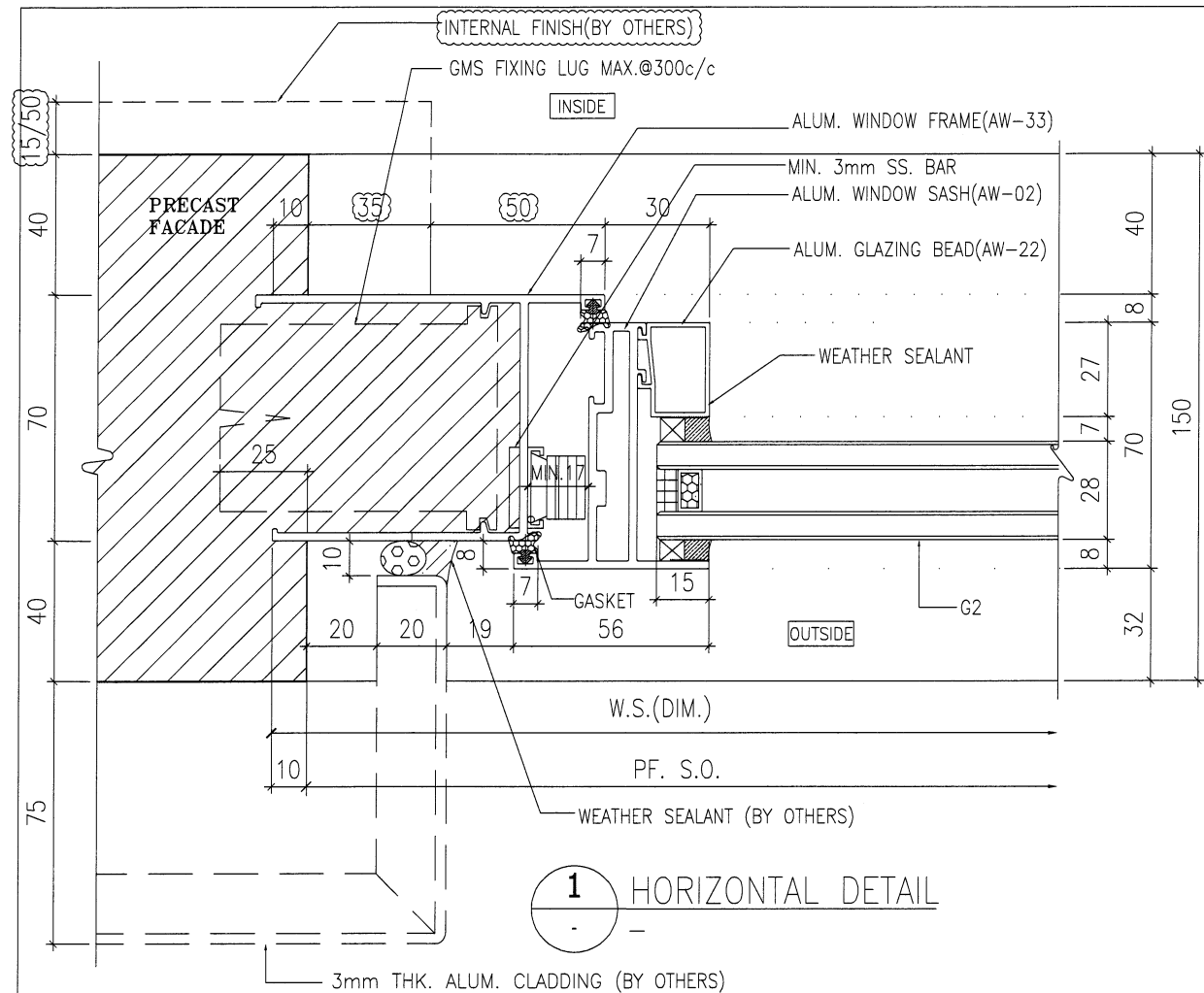
TITLE : TYPICAL DETAILS FOR ALUM. WINDOW

DATE : 10-Nov-21 SCALE : 1:2 (A3)

DRAWN BY : IVAN CHECKED BY :

美特鋁質有限公司
MIDI ALUMINIUM FABRICATOR LTD.
 Units 6-8, Sunray Industrial Centre, 1/F
 610 Cha Kwo Ling Road, Kowloon
 Tel:23489211-4 Fax:(852)2727666

DWG NO. : J859-SD-PW-DT68a REV. : A



B.D. REF :

ARCHITECT :
WT WONG TUNG & PARTNERS LIMITED
 ARCHITECTS & PLANNERS

STRUCTURAL ENGINEER :
SHK SUN HUNG KAI
 ARCHITECTS AND ENGINEERS LTD.
 SUN HUNG KAI CENTRE, WANCHAI, HONGKONG
 TEL: 28278111 FAX: 28272884

FACADE CONSULTANT:
α ALPHA CONSULTING LIMITED
 Steel Structure & Facade Specialist

MAIN CONTRACTOR :
 Sanfield Engineering
 Construction Ltd.

CLIENT :
SHK SUN HUNG KAI
 REAL ESTATE AGENCY LTD.
 42/F SUN HUNG KAI CENTRE, WANCHAI, HONGKONG

NOTE :
 1. ALL DIMENSIONS ARE IN mm.
 2. ALL ELEVATIONS ARE VIEWED FROM OUTSIDE.
 3. ALL DIMENSIONS TO BE VERIFIED ON SITE BEFORE FABRICATION.

LEGEND :
 (X1) — DETAIL MARK NO.
 (X001) — REFER SHEET NO.
 1. F.F.L. — FINISHED FLOOR LEVEL
 2. S.F.L. — STRUCTURAL FLOOR LEVEL
 3. (R) — REVERSED DETAIL
 4. GLASS LEGEND
 G1—8mmHS+12mm AIR GAP+10mmTP I.G.U.
 G2—8mmHS+12mm AIR GAP+8mmTP I.G.U.
 G2a—8mmHS+12mm AIR GAP+8mmTP+1.52PVB +6mm FEATURED GLASS (I.G.U.)
 G8—6mm GREY HS+1.52PVB+6mm CLEAR HS

NO.	DATE	REVISION SUBJECT TO ARCH.COMMENT	MAN	BY
A	28/3/2022	REVISION SUBJECT TO ARCH.COMMENT		

JOB NO. : J-859
 PROJECT : PROPOSED RESIDENTIAL / COMMERCIAL DEVELOPMENT AT NKIL NO.6551 KAI TAK AREA 4C, SITE 3 KAI TAK, KOWLOON

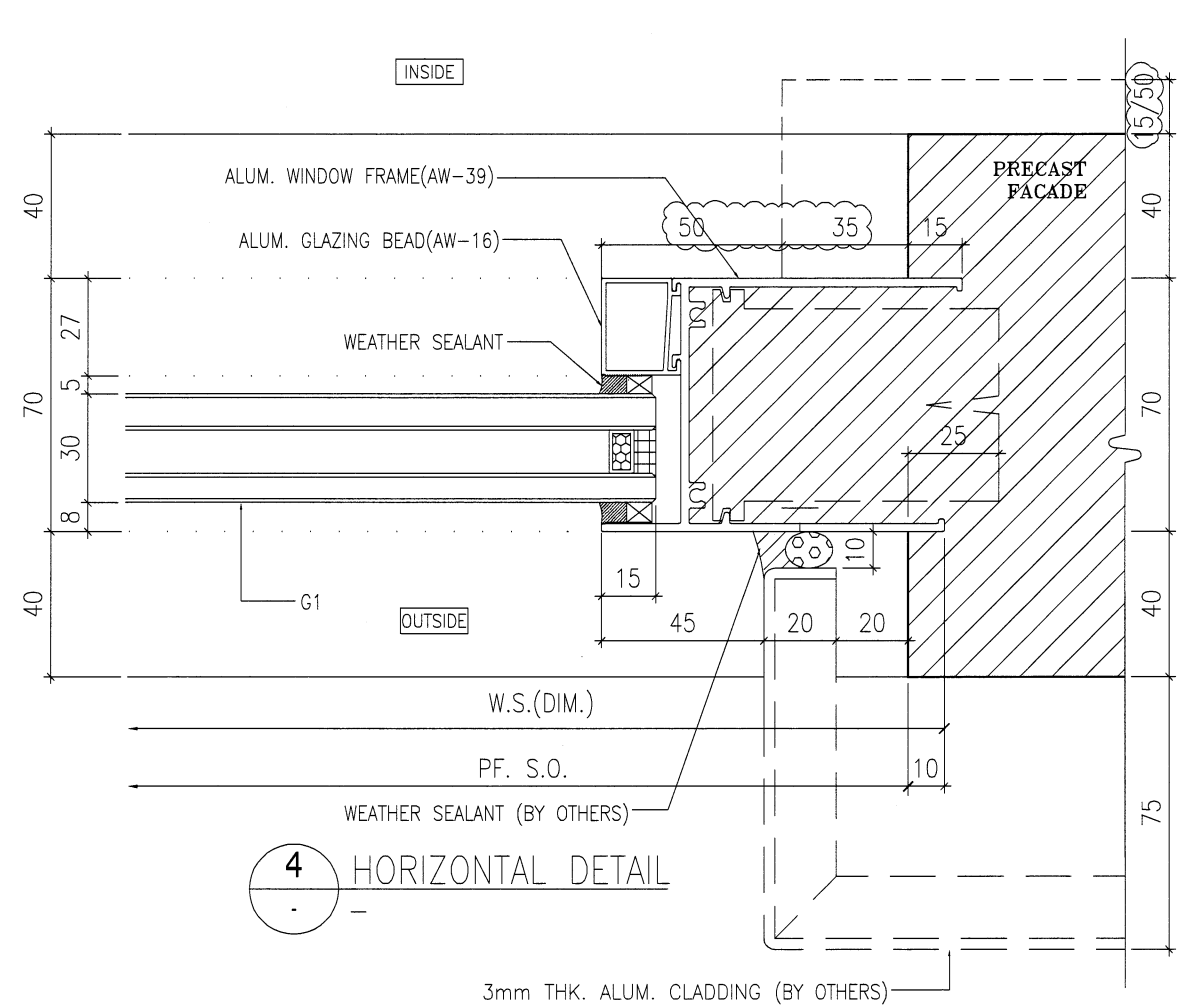
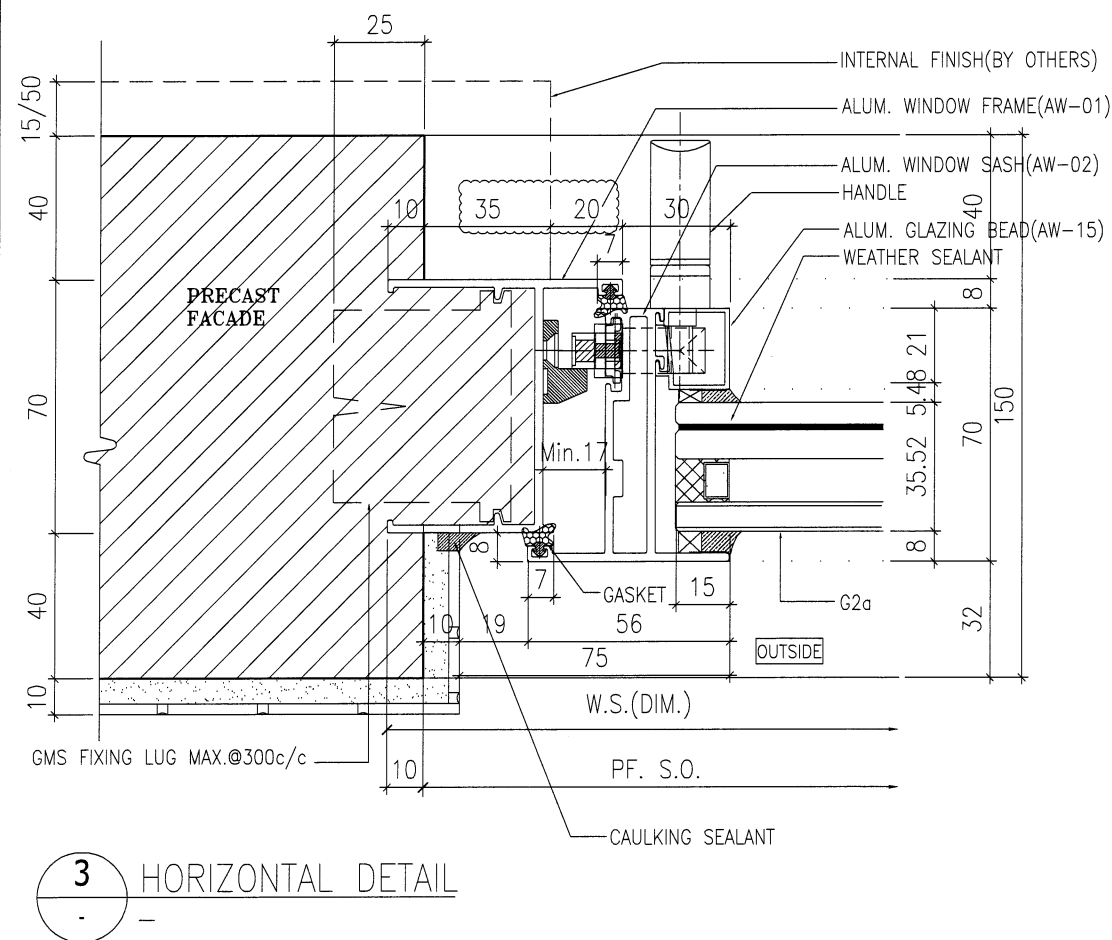
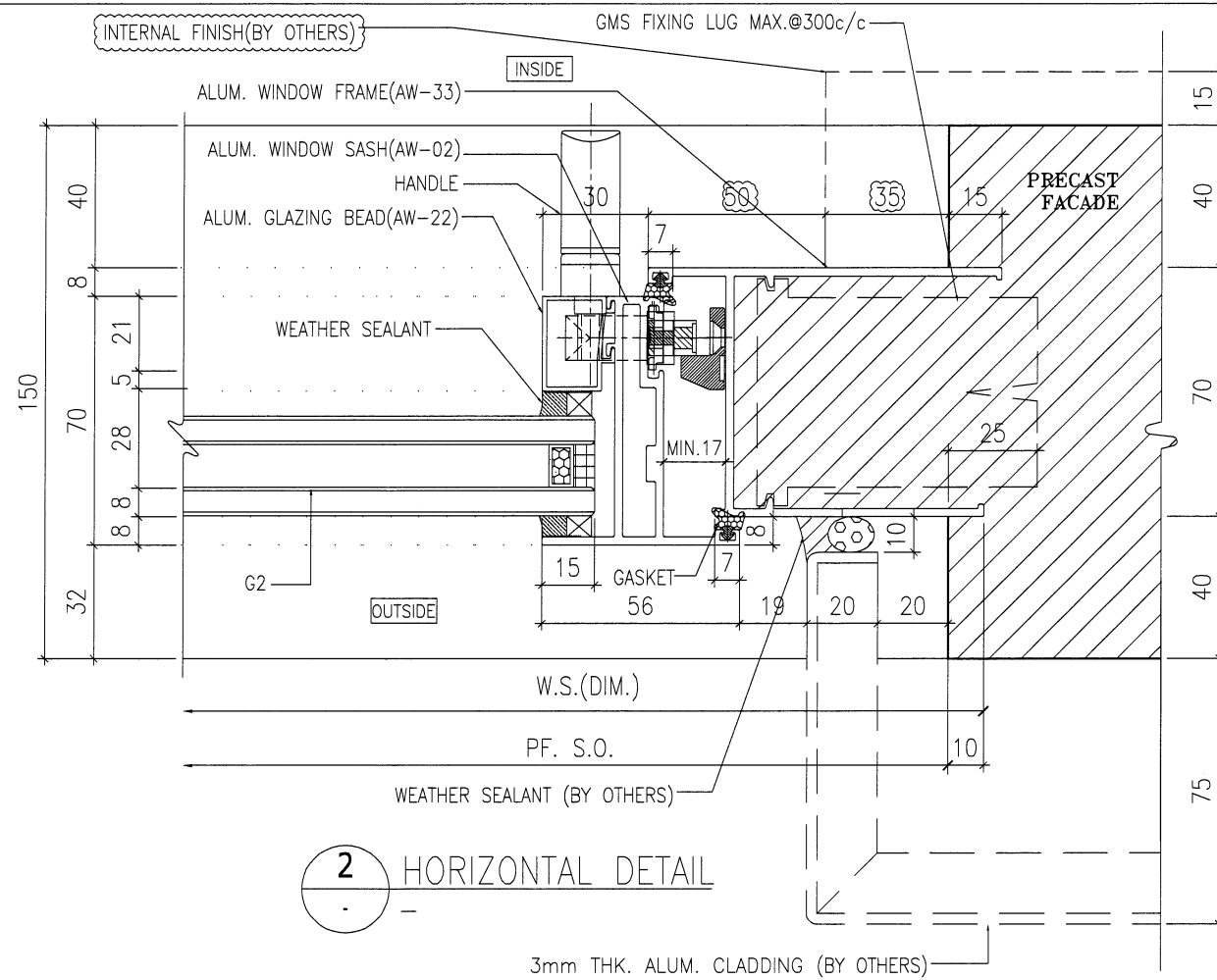
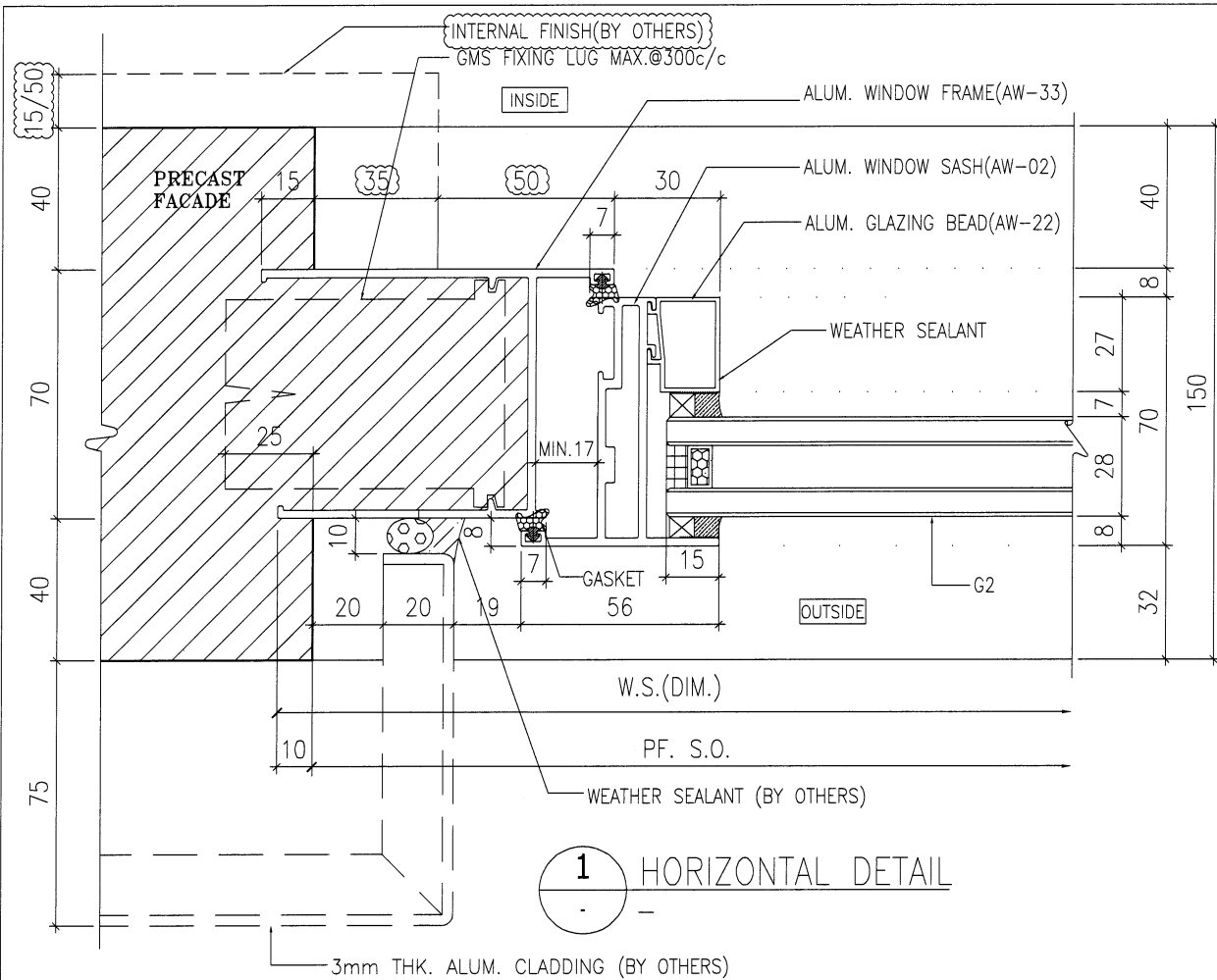
TITLE : TYPICAL DETAILS FOR ALUM. WINDOW

DATE : 10-Nov-21 SCALE : 1:2 (A3)

DRAWN BY : IVAN CHECKED BY :

MIDI 美特鋁質有限公司
 ALUMINUM FABRICATOR LTD.
 Units 6-8, Sunray Industrial Centre, 1/F
 610 Cha Kwo Ling Road, Kowloon
 Tel:23489211-4 Fax:(852)2727666

DWG NO. : J859-SD-PW-DT68b REV. : A



B.D. REF :

ARCHITECT :
WT WONG TUNG & PARTNERS LIMITED
ARCHITECTS & PLANNERS

STRUCTURAL ENGINEER :
SUN HUNG KAI
ARCHITECTS AND ENGINEERS LTD.
SUN HUNG KAI CENTRE, WANCHAI, HONGKONG
TEL. 28278111 FAX. 28272854

FACADE CONSULTANT:
α ALPHA CONSULTING LIMITED
Steel Structure & Facade Specialist

MAIN CONTRACTOR :
Sanfield Engineering Construction Ltd.

CLIENT :
SUN HUNG KAI
REAL ESTATE AGENCY LTD.
42/F SUN HUNG KAI CENTRE, WANCHAI, HONGKONG

NOTE :
1. ALL DIMENSIONS ARE IN mm.
2. ALL ELEVATIONS ARE VIEWED FROM OUTSIDE.
3. ALL DIMENSIONS TO BE VERIFIED ON SITE BEFORE FABRICATION.

LEGEND :
X1 -- DETAIL MARK NO.
X001 -- REFER SHEET NO.

1. F.F.L. -- FINISHED FLOOR LEVEL
2. S.F.L. -- STRUCTURAL FLOOR LEVEL
3. ⊗ -- REVERSED DETAIL
4. GLASS LEGEND
G1--8mmHS+12mm AIR GAP+10mmTP I.G.U.
G2--8mmHS+12mm AIR GAP+8mmTP I.G.U.
G2a--8mmHS+12mm AIR GAP+8mmTP+1.52PVB +6mm FEATURED GLASS (I.G.U.)
G8--6mm GREY HS+1.52PVB+6mm CLEAR HS

A	28/3/2022	REVISION SUBJECT TO ARCH.COMMENT	IWN
NO.	DATE	REVISED	BY

JOB NO. : J-859
PROJECT : PROPOSED RESIDENTIAL / COMMERCIAL DEVELOPMENT AT NKIL NO.6551 KAI TAK AREA 4C, SITE 3 KAI TAK, KOWLOON

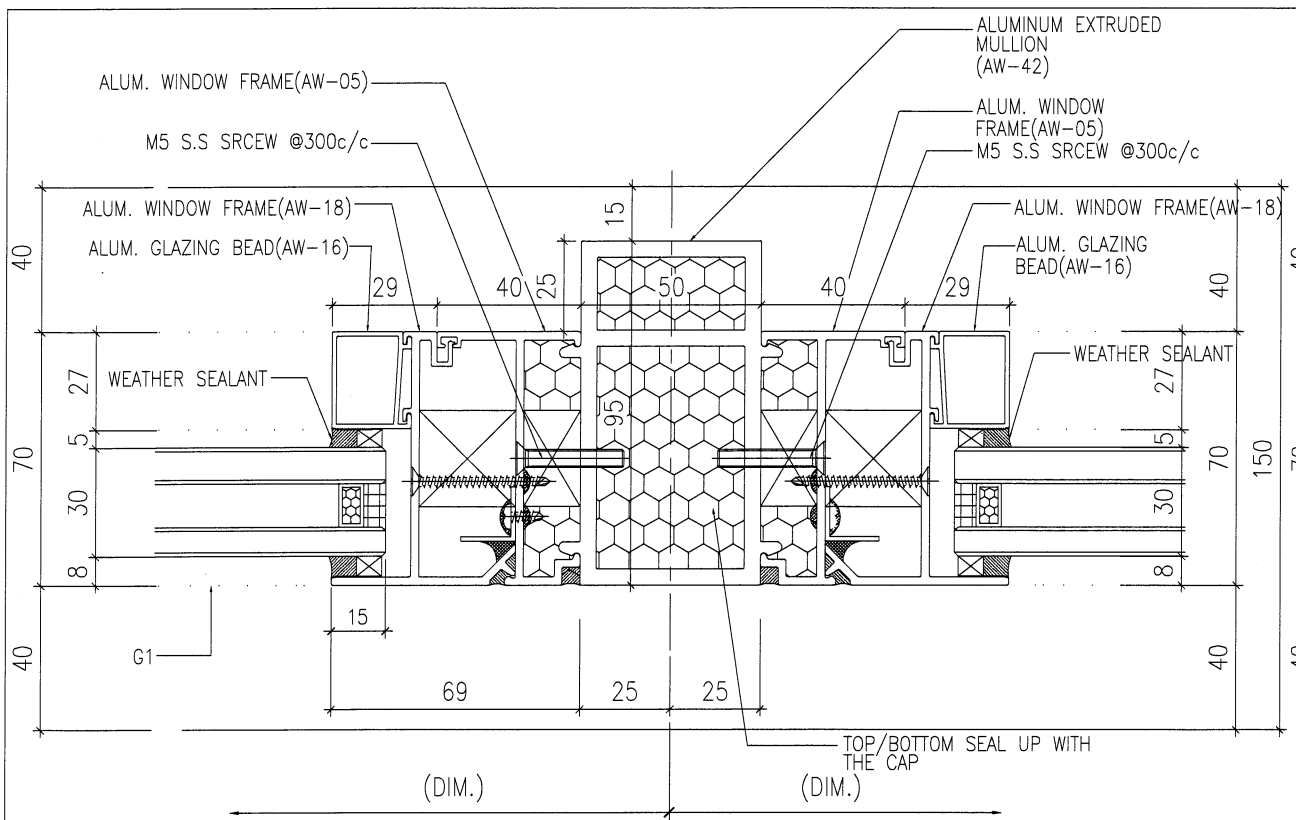
TITLE : TYPICAL DETAILS FOR ALUM. WINDOW

DATE : 10-Nov-21 SCALE : 1:2 (A3)

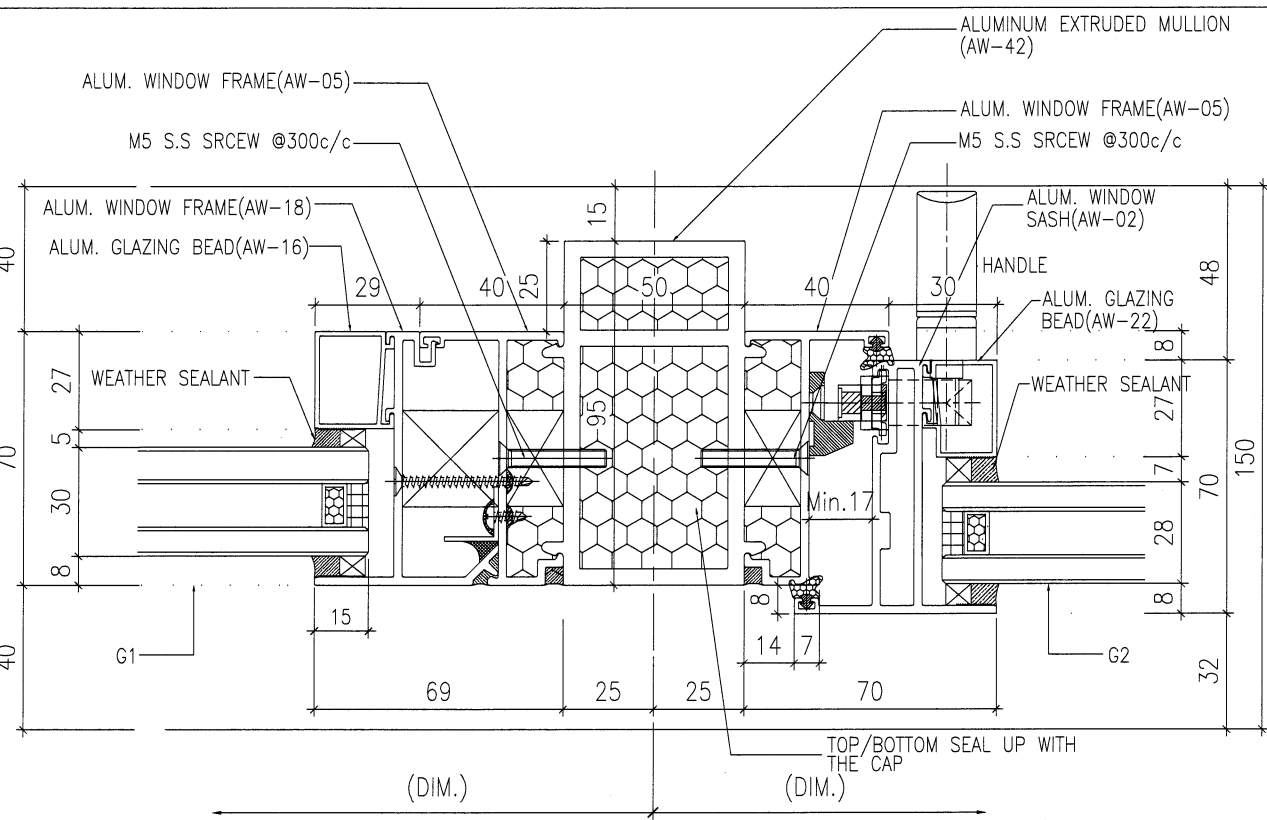
DRAWN BY : IVAN CHECKED BY :

英特鋁質有限公司
MIDI ALUMINIUM FABRICATOR LTD.
Units 6-8, Sunray Industrial Centre, 1/F
610 Cha Kwo Ling Road, Kowloon
Tel:23489211-4 Fax:(852)2727866

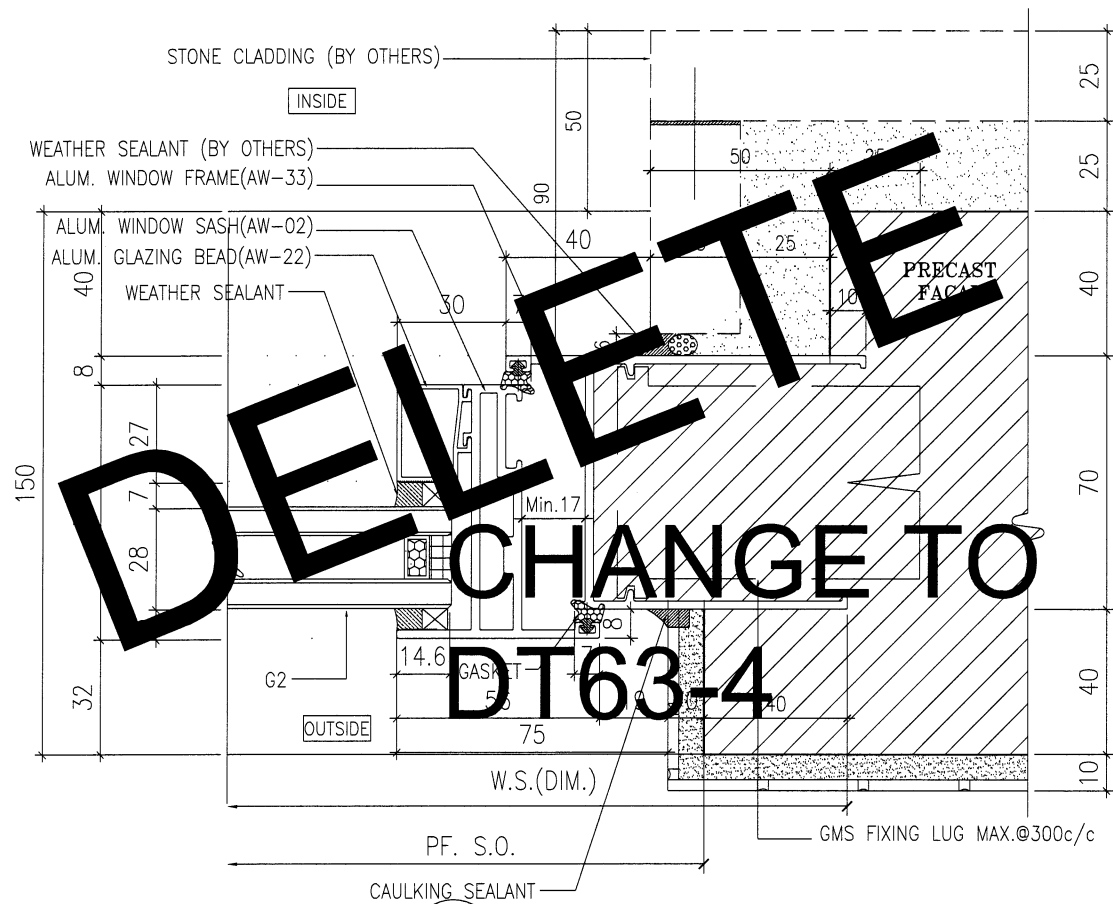
DWG NO. : J859-SD-PW-DT69 REV. : A



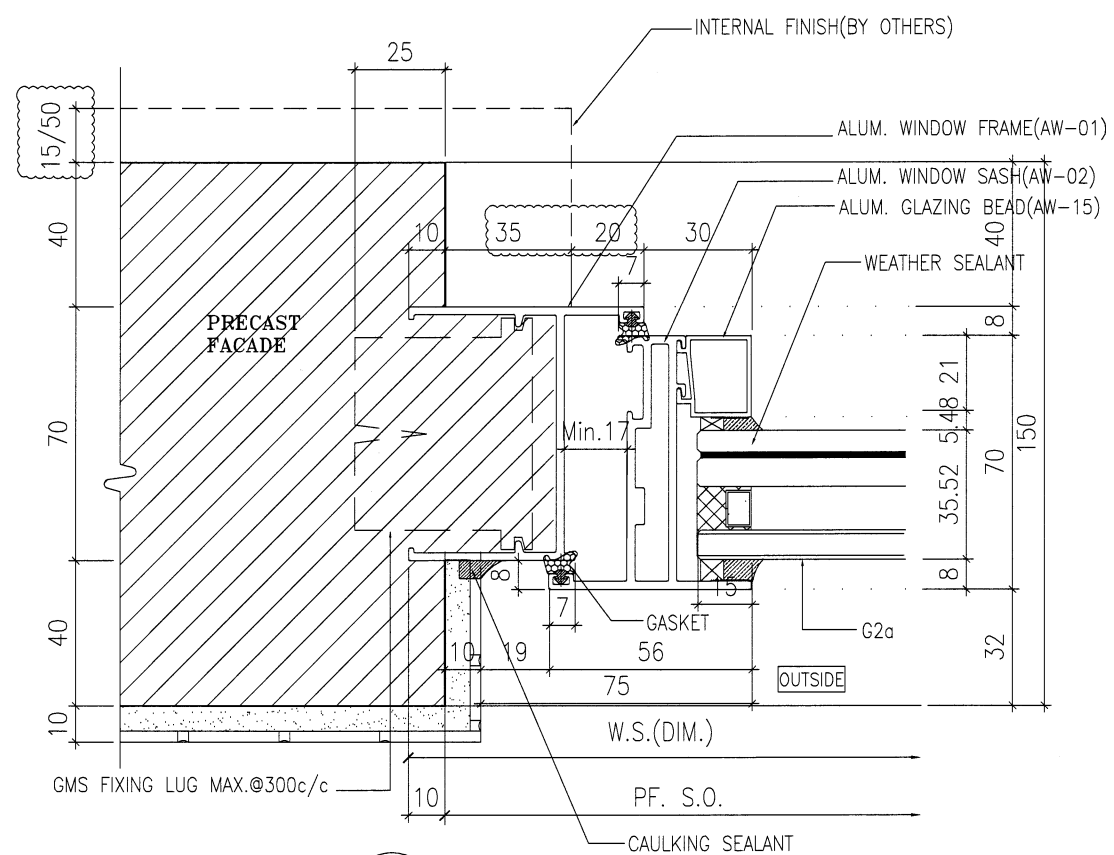
1 HORIZONTAL DETAIL



2 HORIZONTAL DETAIL



3 HORIZONTAL DETAIL



4 HORIZONTAL DETAIL

B.D. REF :
ARCHITECT :
STRUCTURAL ENGINEER :
FACADE CONSULTANT :
MAIN CONTRACTOR :
CLIENT :

WONG TUNG & PARTNERS LIMITED
ARCHITECTS & PLANNERS

SUN HUNG KAI
ARCHITECTS AND ENGINEERS LTD.
SUN HUNG KAI CENTRE, WANCHAI, HONGKONG
TEL. 28278111 FAX. 28272884

ALPHA CONSULTING LIMITED
Steel Structure & Facade Specialist

Sanfield Engineering Construction Ltd.

SUN HUNG KAI
REAL ESTATE AGENCY LTD.
42/F SUN HUNG KAI CENTRE, WANCHAI, HONGKONG

NOTE:
1. ALL DIMENSIONS ARE IN mm.
2. ALL ELEVATIONS ARE VIEWED FROM OUTSIDE.
3. ALL DIMENSIONS TO BE VERIFIED ON SITE BEFORE FABRICATION.

LEGEND:
X1 - DETAIL MARK NO.
X001 - REFER SHEET NO.
1. F.F.L. -- FINISHED FLOOR LEVEL
2. S.F.L. -- STRUCTURAL FLOOR LEVEL
3. (R) -- REVERSED DETAIL
4. GLASS LEGEND
G1 - 8mmHS+12mm AIR GAP+10mmTP I.G.U.
G2 - 8mmHS+12mm AIR GAP+8mmTP I.G.U.
G2a - 8mmHS+12mm AIR GAP+8mmTP+1.52PVB +6mm FEATURED GLASS (I.G.U.)
G8 - 6mm GREY HS+1.52PVB+6mm CLEAR HS

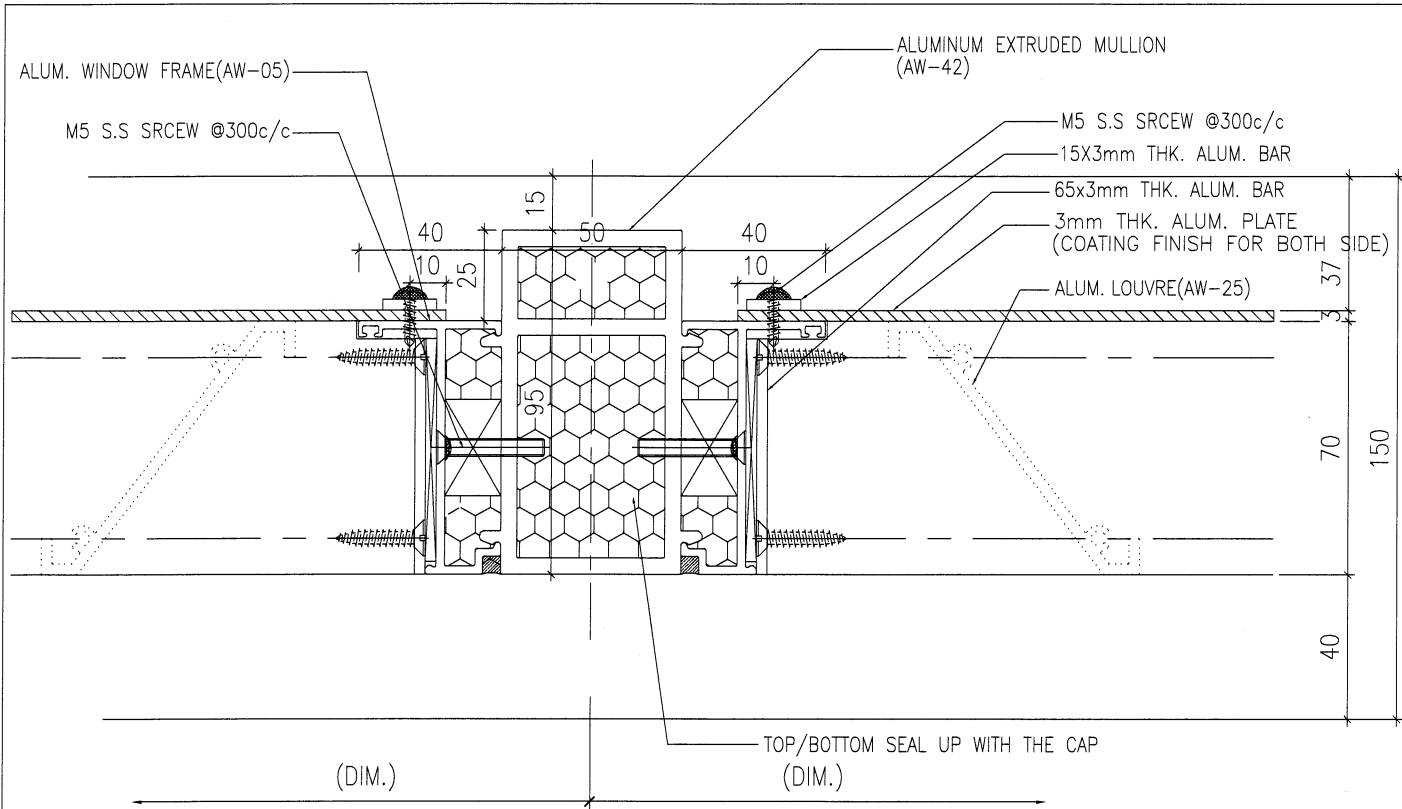
A	28/3/2022	REVISION SUBJECT TO ARCH.COMMENT	IAN
NO.	DATE	REVISED	BY

JOB NO. : J-859
PROJECT : PROPOSED RESIDENTIAL / COMMERCIAL DEVELOPMENT AT NKIL NO.6551 KAI TAK AREA 4C, SITE 3 KAI TAK, KOWLOON

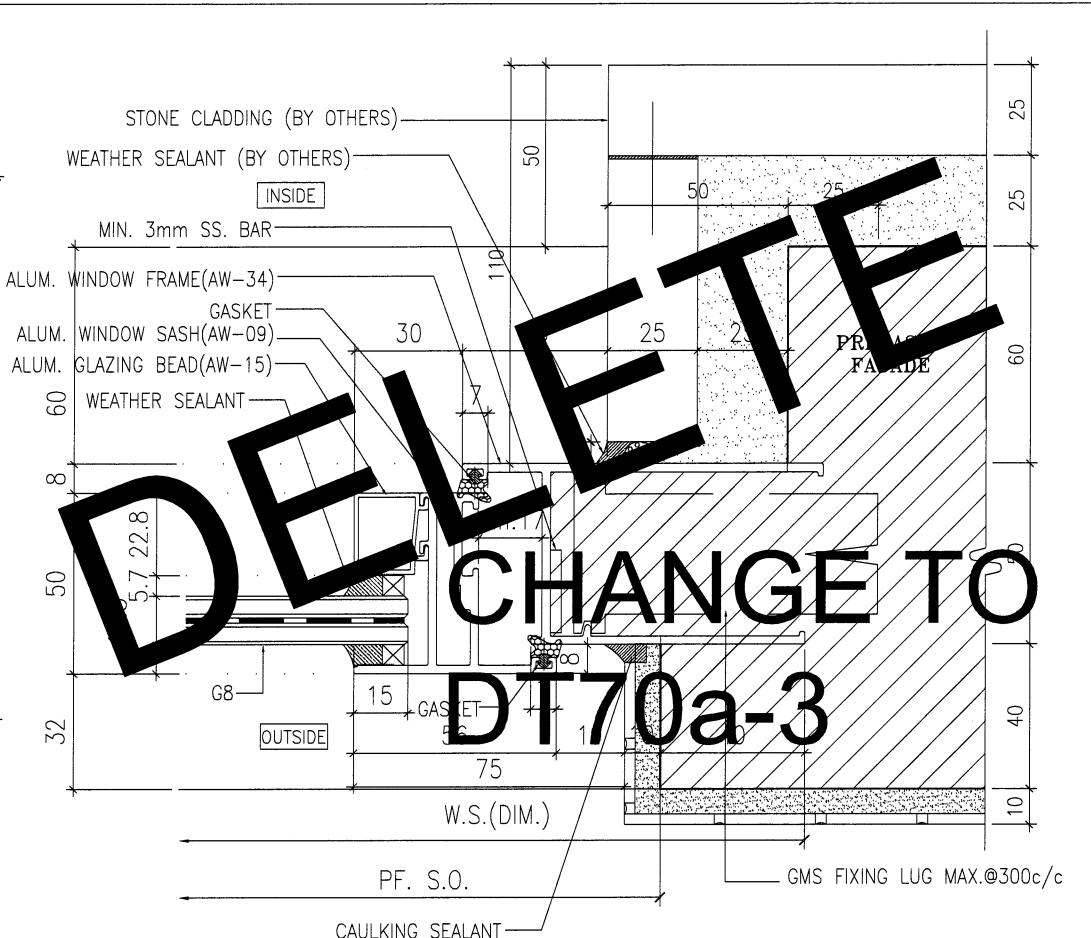
TITLE : TYPICAL DETAILS FOR ALUM. WINDOW

DATE : 10-Nov-21 SCALE : 1:2 (A3)
DRAWN BY : IVAN CHECKED BY :

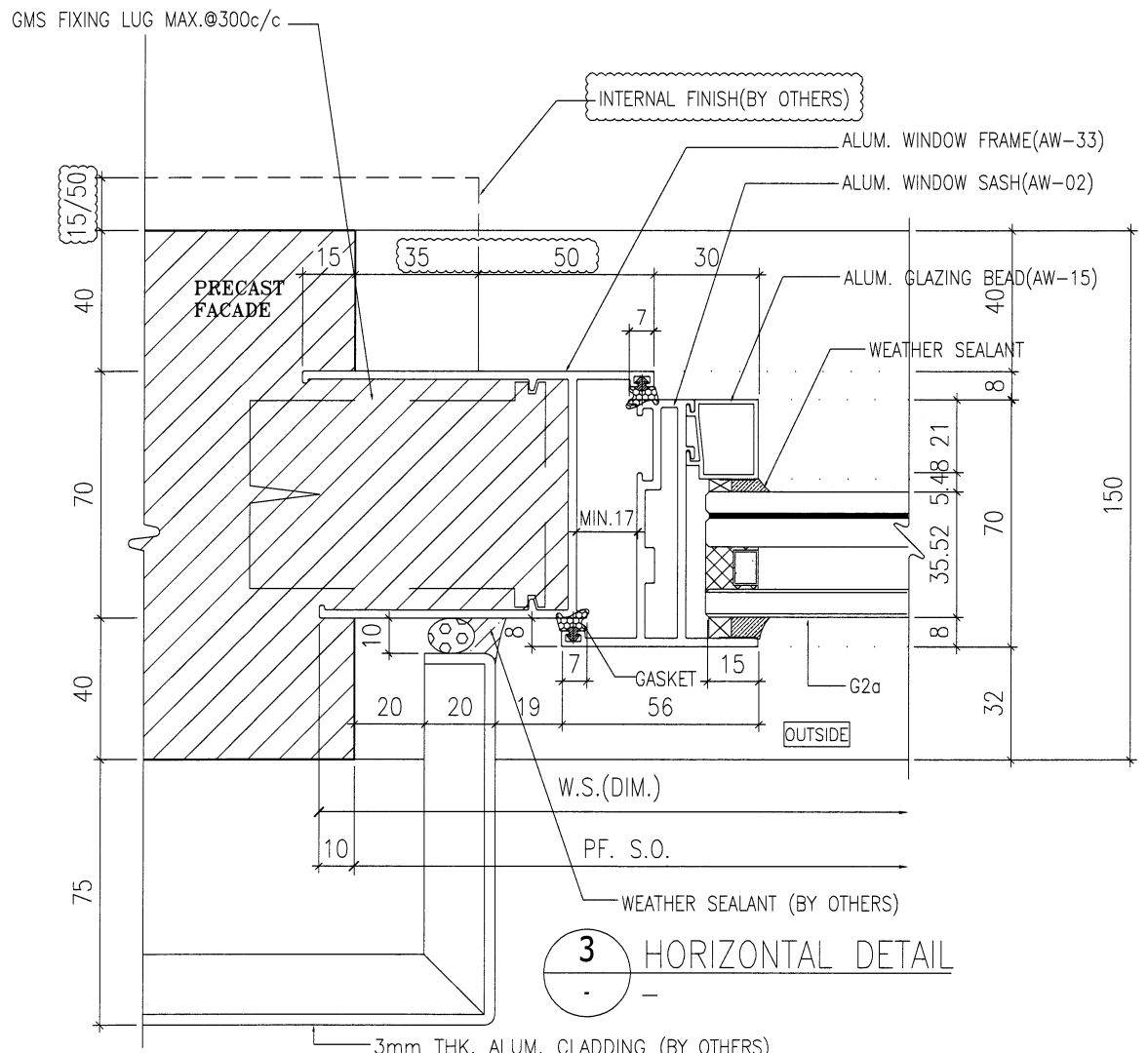
英特鋁質有限公司
MIDI ALUMINIUM FABRICATOR LTD.
Units 6-8, Sunray Industrial Centre, 1/F
610 Cha Kwo Ling Road, Kowloon
Tel:23489211-4 Fax:(852)2772666
DWG NO. : J859-SD-PW-DT69a REV. : A



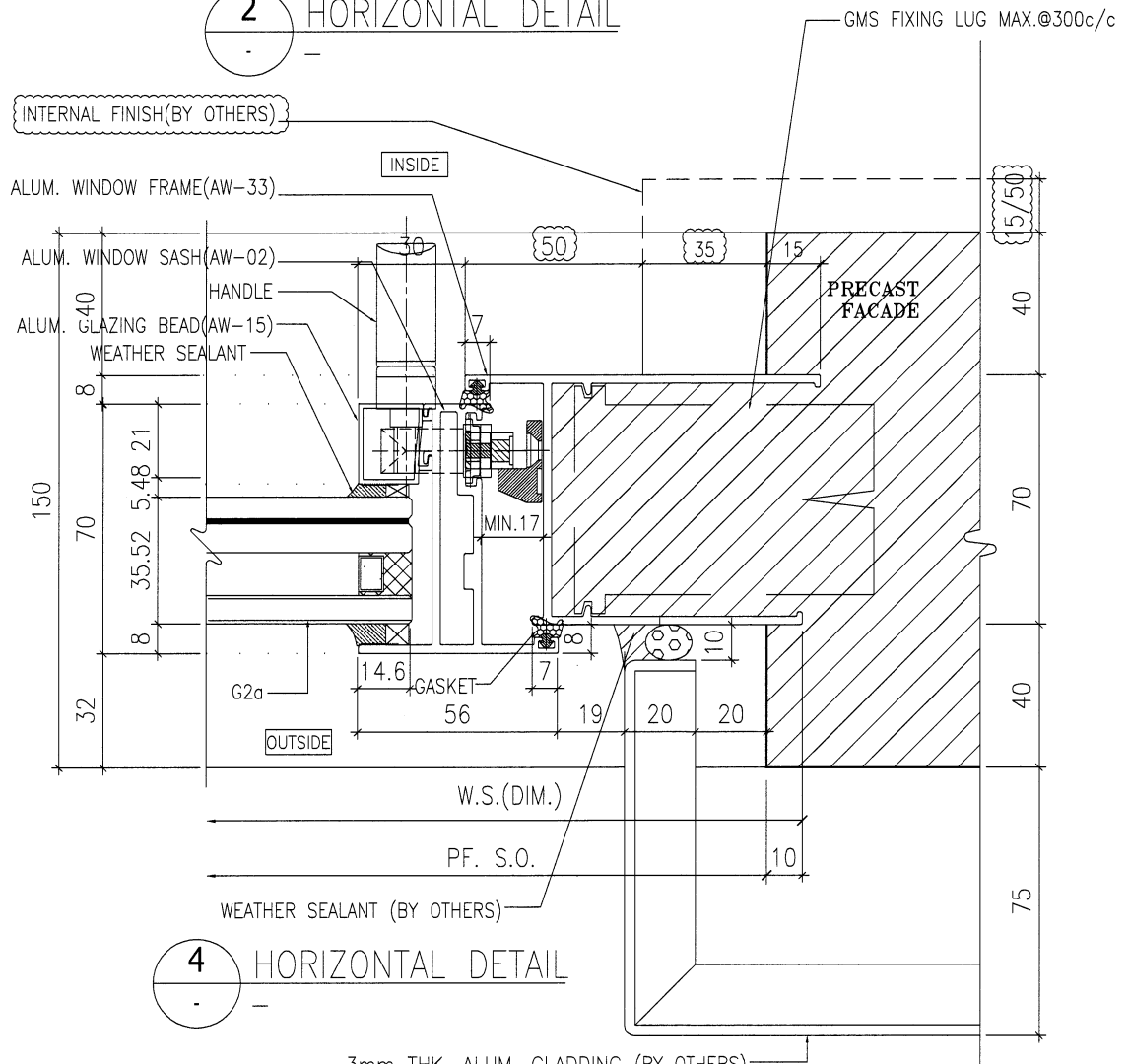
1 HORIZONTAL DETAIL



2 HORIZONTAL DETAIL



3 HORIZONTAL DETAIL



4 HORIZONTAL DETAIL

DELETE
CHANGE TO
DT70a-3

B.D. REF :

ARCHITECT :
WT WONG TUNG & PARTNERS LIMITED
ARCHITECTS & PLANNERS

STRUCTURAL ENGINEER :
SUN HUNG KAI
ARCHITECTS AND ENGINEERS LTD.
SUN HUNG KAI CENTRE, WANCHAI, HONGKONG
TEL: 28278111 FAX: 28272884

FACADE CONSULTANT:
α ALPHA CONSULTING LIMITED
Steel Structure & Facade Specialist

MAIN CONTRACTOR :
Sanfield Engineering Construction Ltd.

CLIENT :
SUN HUNG KAI
REAL ESTATE AGENCY LTD.
42/F SUN HUNG KAI CENTRE, WANCHAI, HONGKONG

NOTE:
1. ALL DIMENSIONS ARE IN mm.
2. ALL ELEVATIONS ARE VIEWED FROM OUTSIDE.
3. ALL DIMENSIONS TO BE VERIFIED ON SITE BEFORE FABRICATION.

LEGEND:
X1 - DETAIL MARK NO.
X001 - REFER SHEET NO.
1. F.F.L. --- FINISHED FLOOR LEVEL
2. S.F.L. --- STRUCTURAL FLOOR LEVEL
3. (R) --- REVERSED DETAIL
4. GLASS LEGEND
G1-8mmHS+12mm AIR GAP+10mmTP I.G.U.
G2-8mmHS+12mm AIR GAP+8mmTP I.G.U.
G2a-8mmHS+12mm AIR GAP+8mmTP+1.52PVB +6mm FEATURED GLASS (I.G.U.)
G8-6mm GREY HS+1.52PVB+6mm CLEAR HS

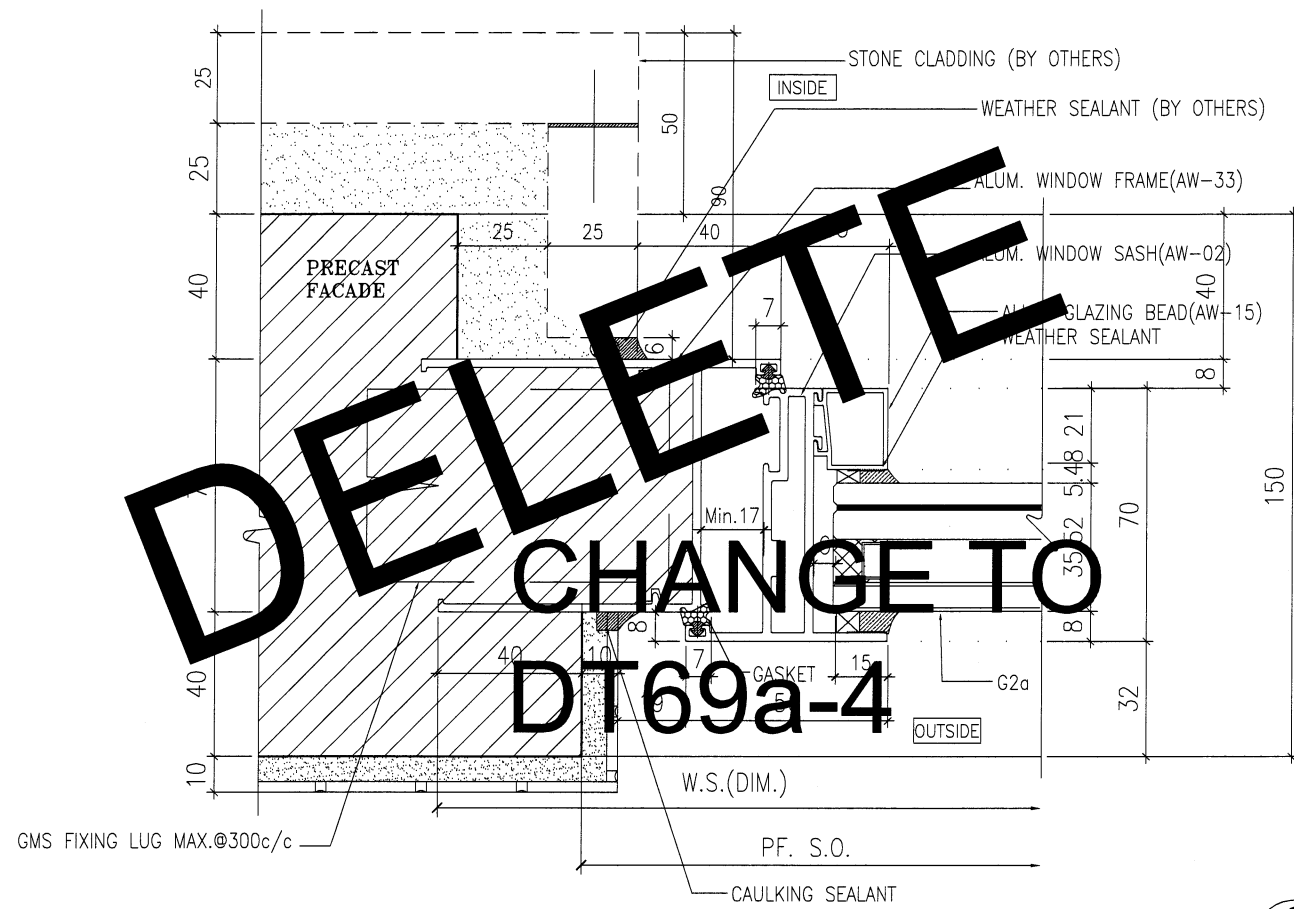
A	28/3/2022	REVISION SUBJECT TO ARCH.COMMENT	IVAN
NO.	DATE	REVISED	BY

JOB NO. : J-859
PROJECT : PROPOSED RESIDENTIAL / COMMERCIAL DEVELOPMENT AT NKIL NO.6551 KAI TAK AREA 4C, SITE 3 KAI TAK, KOWLOON

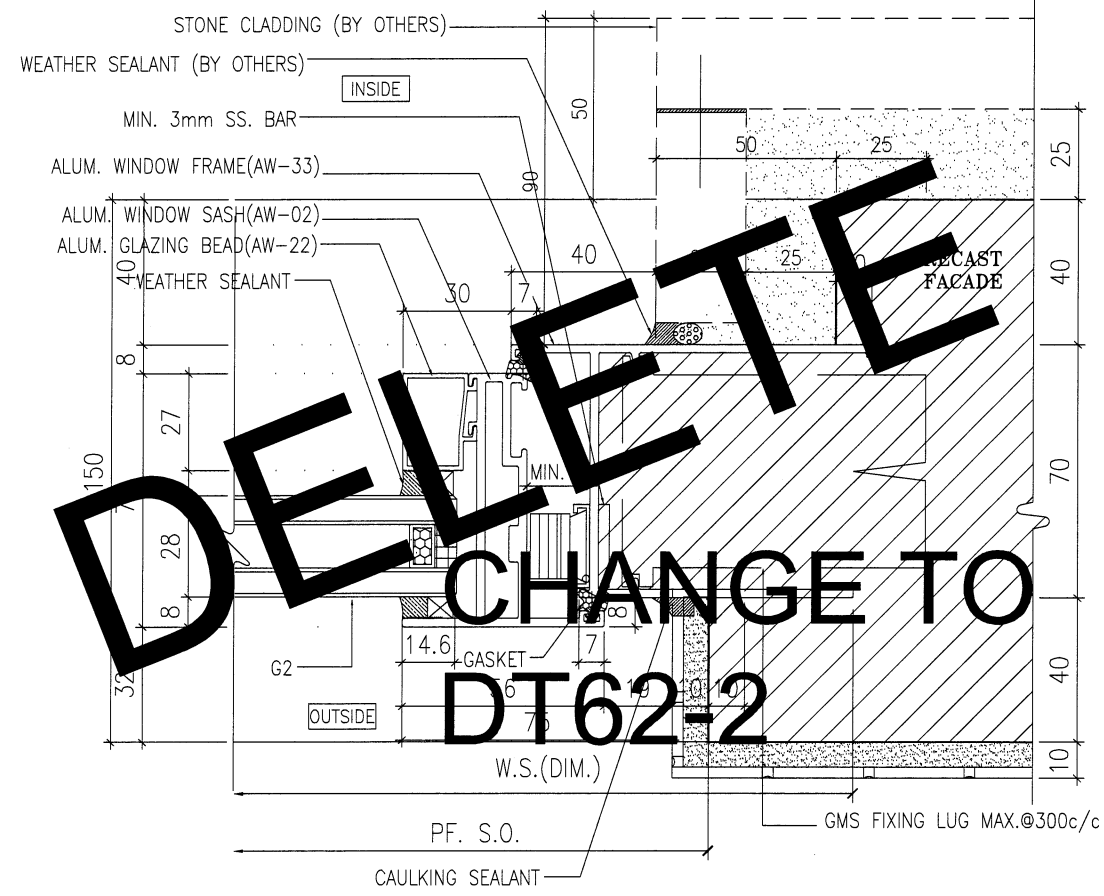
TITLE : TYPICAL DETAILS FOR ALUM. WINDOW

DATE : 10-Nov-21 SCALE : 1:2 (A3)
DRAWN BY : IVAN CHECKED BY :

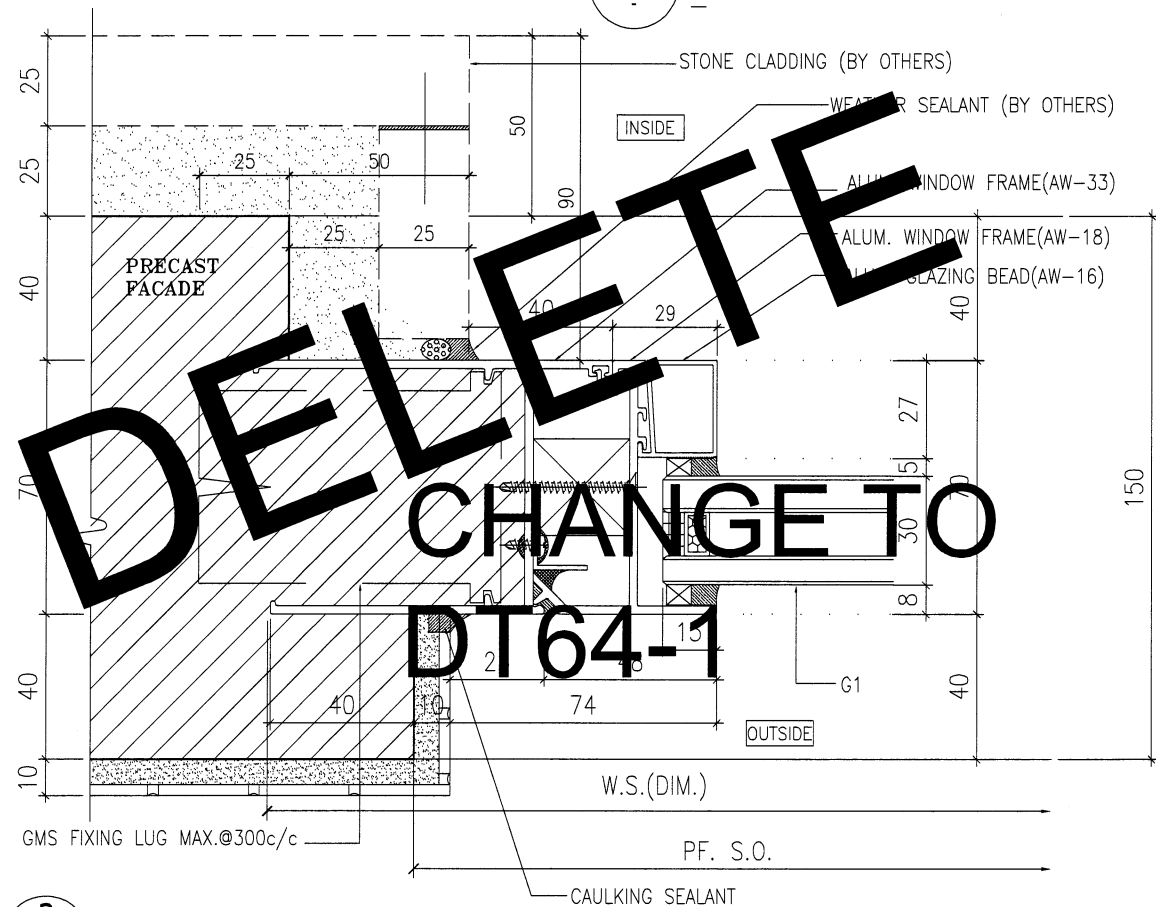
美特鋁質有限公司
MIDI ALUMINUM FABRICATOR LTD.
Units 6-8, Sunray Industrial Centre, 1/F
610 Cha Kwo Ling Road, Kowloon
Tel:23489211-4 Fax:(852)2727666
DWG NO. : J859-SD-PW-DT69b REV. : A



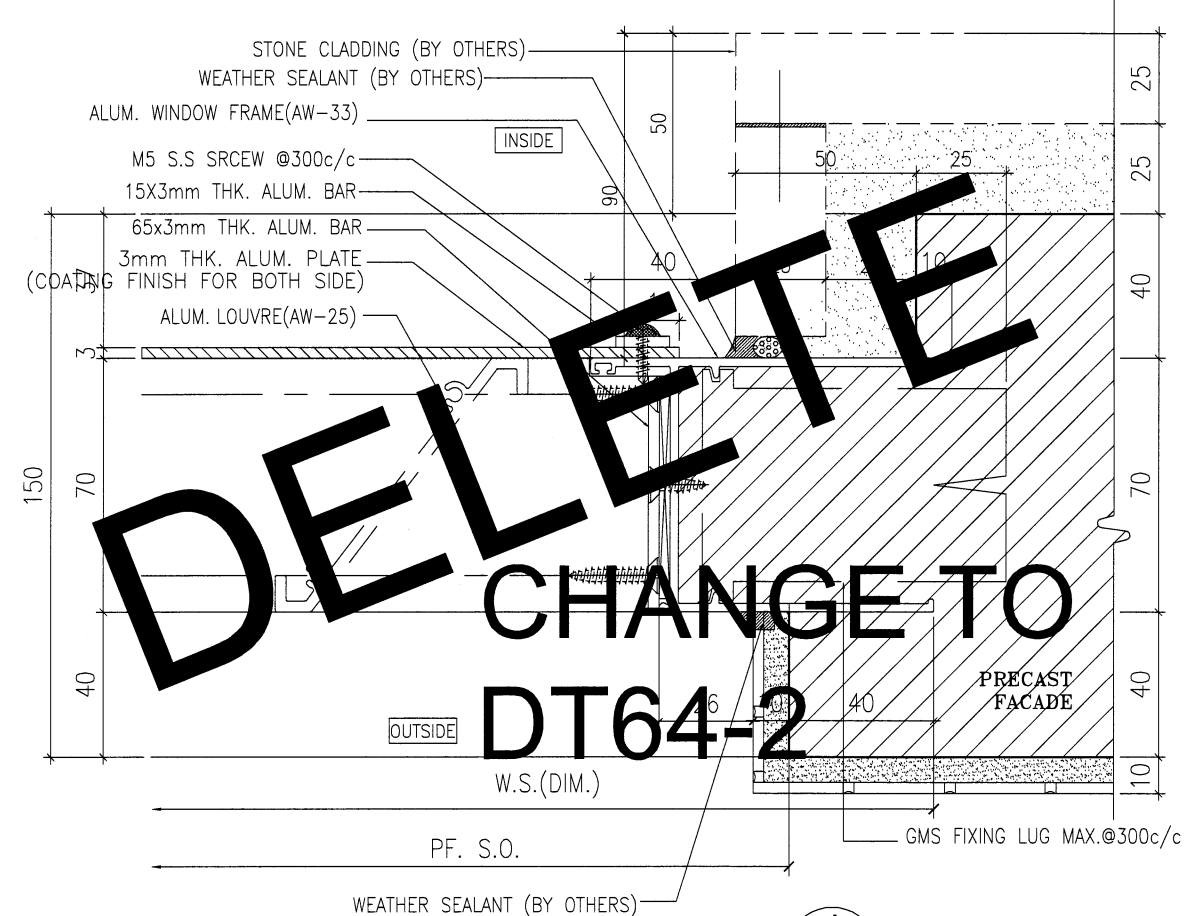
1 HORIZONTAL DETAIL



2 HORIZONTAL DETAIL



3 HORIZONTAL DETAIL



4 HORIZONTAL DETAIL

B.D. REF :

ARCHITECT :
WT
 WONG TUNG & PARTNERS LIMITED
 ARCHITECTS & PLANNERS

STRUCTURAL ENGINEER :
SHK
 SUN HUNG KAI
 ARCHITECTS AND ENGINEERS LTD.
 SUN HUNG KAI CENTRE, WANCHAI, HONGKONG
 TEL: 28278111 FAX: 28272884

FACADE CONSULTANT:
α
 ALPHA CONSULTING LIMITED
 Steel Structure & Facade Specialist

MAIN CONTRACTOR :
Sanfield Engineering Construction Ltd.

CLIENT :
SHK
 SUN HUNG KAI
 REAL ESTATE AGENCY LTD.
 42/F SUN HUNG KAI CENTRE, WANCHAI, HONGKONG

NOTE :
 1. ALL DIMENSIONS ARE IN mm.
 2. ALL ELEVATIONS ARE VIEWED FROM OUTSIDE.
 3. ALL DIMENSIONS TO BE VERIFIED ON SITE BEFORE FABRICATION.

LEGEND :
 X1 — DETAIL MARK NO.
 X001 — REFER SHEET NO.
 1. F.F.L. — FINISHED FLOOR LEVEL
 2. S.F.L. — STRUCTURAL FLOOR LEVEL
 3. (R) — REVERSED DETAIL
 4. GLASS LEGEND
 G1 — 8mmHS+12mm AIR GAP+10mmTP I.G.U.
 G2 — 8mmHS+12mm AIR GAP+8mmTP I.G.U.
 G2a — 8mmHS+12mm AIR GAP+8mmTP+1.52PVB +6mm FEATURED GLASS (I.G.U.)
 G8 — 6mm GREY HS+1.52PVB+6mm CLEAR HS

NO.	DATE	REVISION	BY
A	28/3/2022	REVISION SUBJECT TO ARCH.COMMENT	IVAN

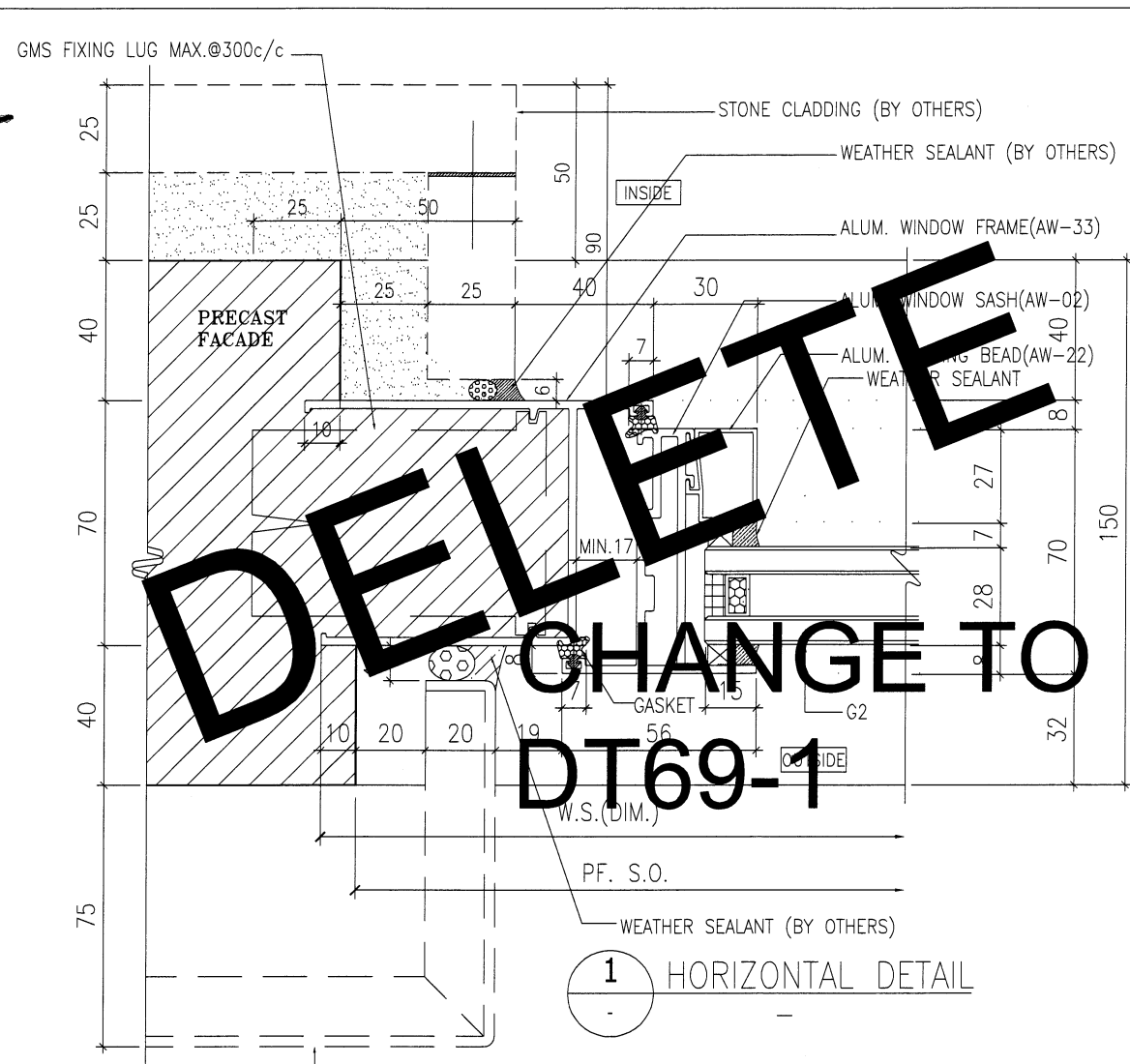
JOB NO. : J-859
 PROJECT : PROPOSED RESIDENTIAL / COMMERCIAL DEVELOPMENT AT NKIL NO.6551 KAI TAK AREA 4C, SITE 3 KAI TAK, KOWLOON

TITLE : TYPICAL DETAILS FOR ALUM. WINDOW

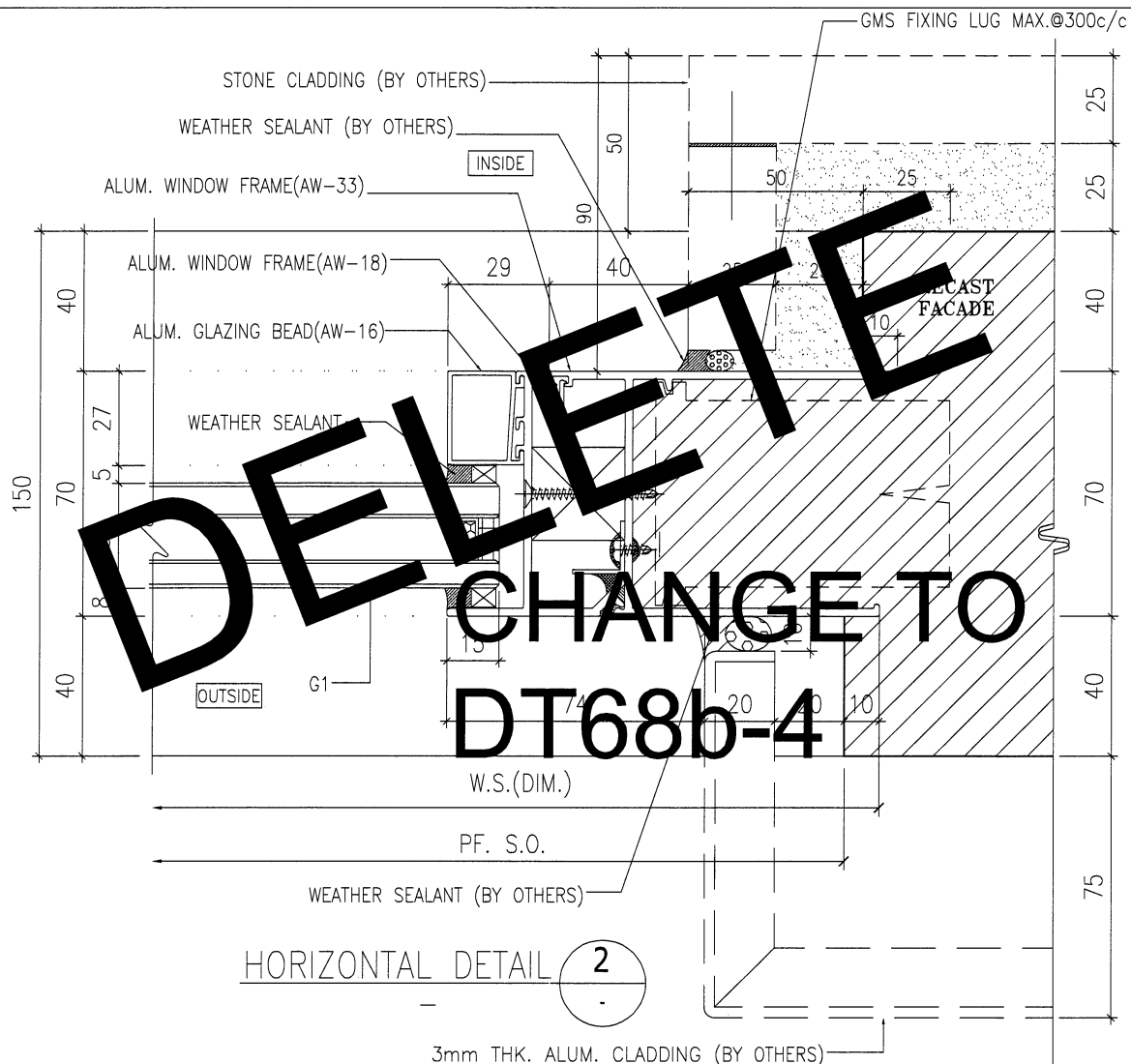
DATE : 10-Nov-21 SCALE : 1:2 (A3)
 DRAWN BY : IVAN CHECKED BY :

Midium Aluminium Fabricator Ltd.
 MIDIMUM ALUMINIUM FABRICATOR LTD.
 Units 6-8, Sunray Industrial Centre, 1/F
 610 Cho Kwo Ling Road, Kowloon
 Tel:23489211-4 Fax:(852)27727666

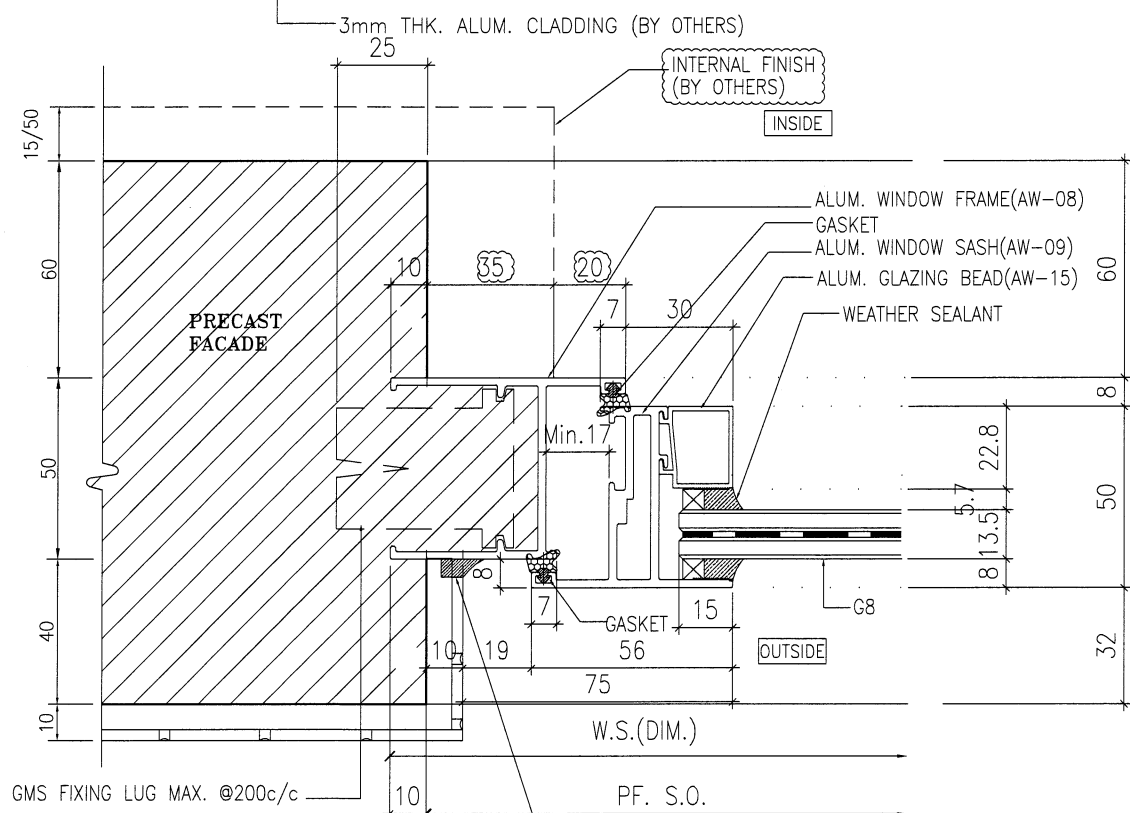
DWG NO. : J859-SD-PW-DT70 REV. : A



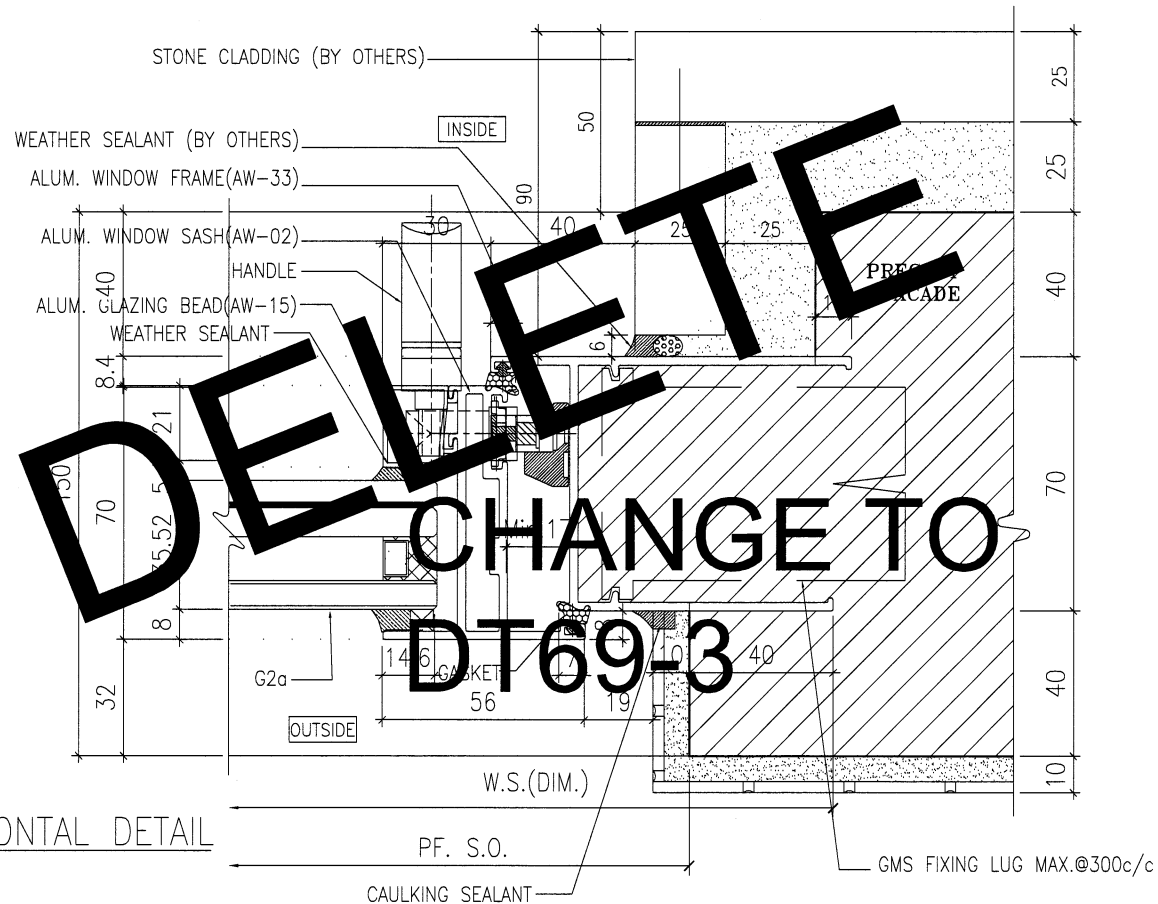
1 HORIZONTAL DETAIL



HORIZONTAL DETAIL 2



3 HORIZONTAL DETAIL



4 HORIZONTAL DETAIL

B.D. REF :

ARCHITECT :
 WONG TUNG & PARTNERS LIMITED
 ARCHITECTS & PLANNERS

STRUCTURAL ENGINEER :
 SUN HUNG KAI
 ARCHITECTS AND ENGINEERS LTD.
 SUN HUNG KAI CENTRE, WANCHAI, HONGKONG
 TEL: 28278111 FAX: 28272884

FACADE CONSULTANT:
 ALPHA CONSULTING LIMITED
 Steel Structure & Facade Specialist

MAIN CONTRACTOR :
 Sanfield Engineering
 Construction Ltd.

CLIENT :
 SUN HUNG KAI
 REAL ESTATE AGENCY LTD.
 42/F SUN HUNG KAI CENTRE, WANCHAI, HONGKONG

NOTE :
 1. ALL DIMENSIONS ARE IN mm.
 2. ALL ELEVATIONS ARE VIEWED FROM OUTSIDE.
 3. ALL DIMENSIONS TO BE VERIFIED ON SITE BEFORE FABRICATION.

LEGEND :
 X1 -- DETAIL MARK NO.
 X001 -- REFER SHEET NO.

1. F.F.L. -- FINISHED FLOOR LEVEL
 2. S.F.L. -- STRUCTURAL FLOOR LEVEL
 3. (B) -- REVERSED DETAIL
 4. GLASS LEGEND
 G1-8mmHS+12mm AIR GAP+10mmTP I.G.U.
 G2-8mmHS+12mm AIR GAP+8mmTP I.G.U.
 G2a-8mmHS+12mm AIR GAP+8mmTP+1.52PVB +6mm FEATURED GLASS (I.G.U.)
 G8-6mm GREY HS+1.52PVB+6mm CLEAR HS

A	28/3/2022	REVISION SUBJECT TO ARCH.COMMENT	IVAN
NO.	DATE	REVISED	BY

JOB NO. : J-859

PROJECT :
 PROPOSED RESIDENTIAL / COMMERCIAL
 DEVELOPMENT AT NKIL NO.6551 KAI
 TAK AREA 4C, SITE 3
 KAI TAK, KOWLOON

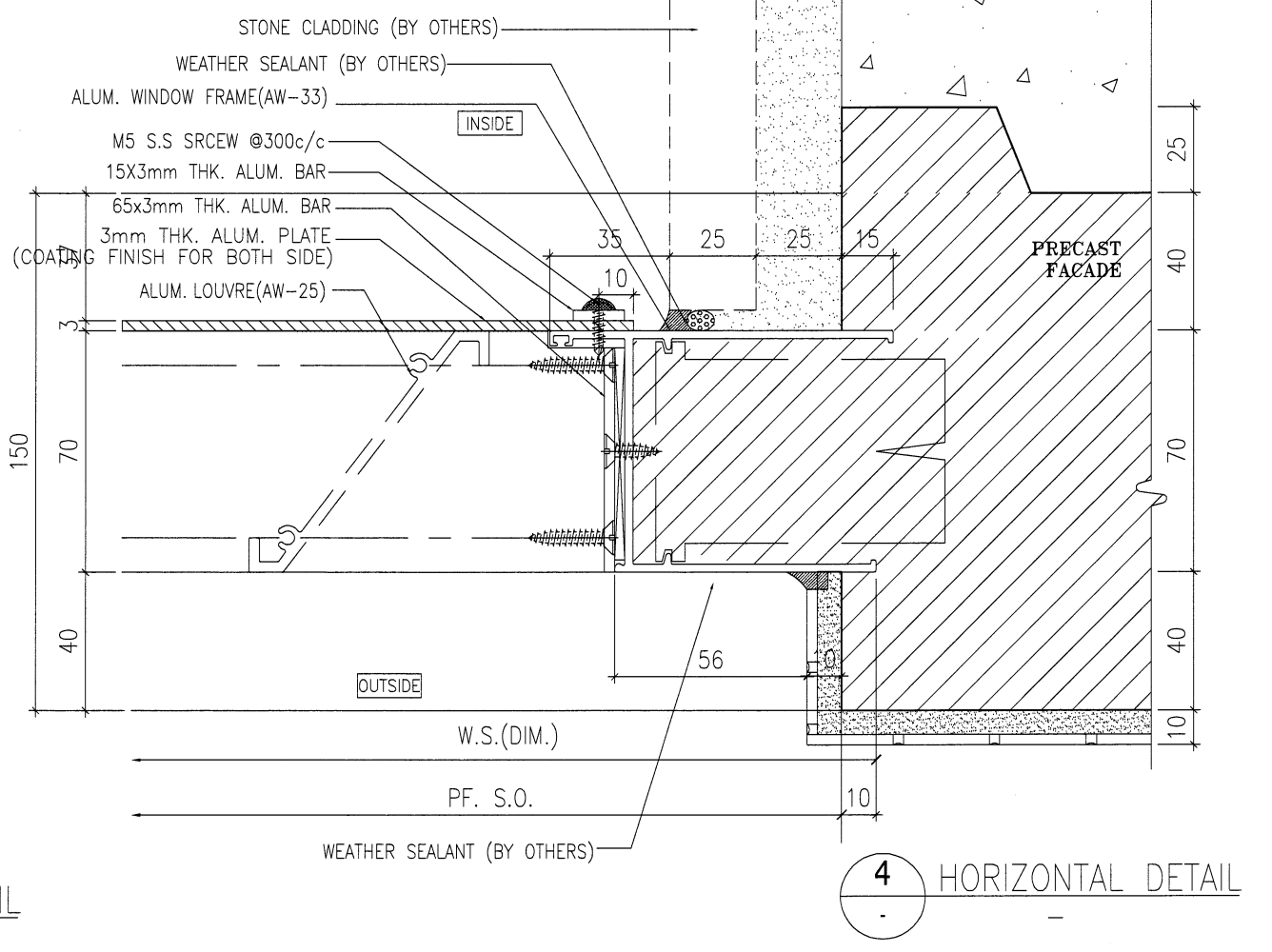
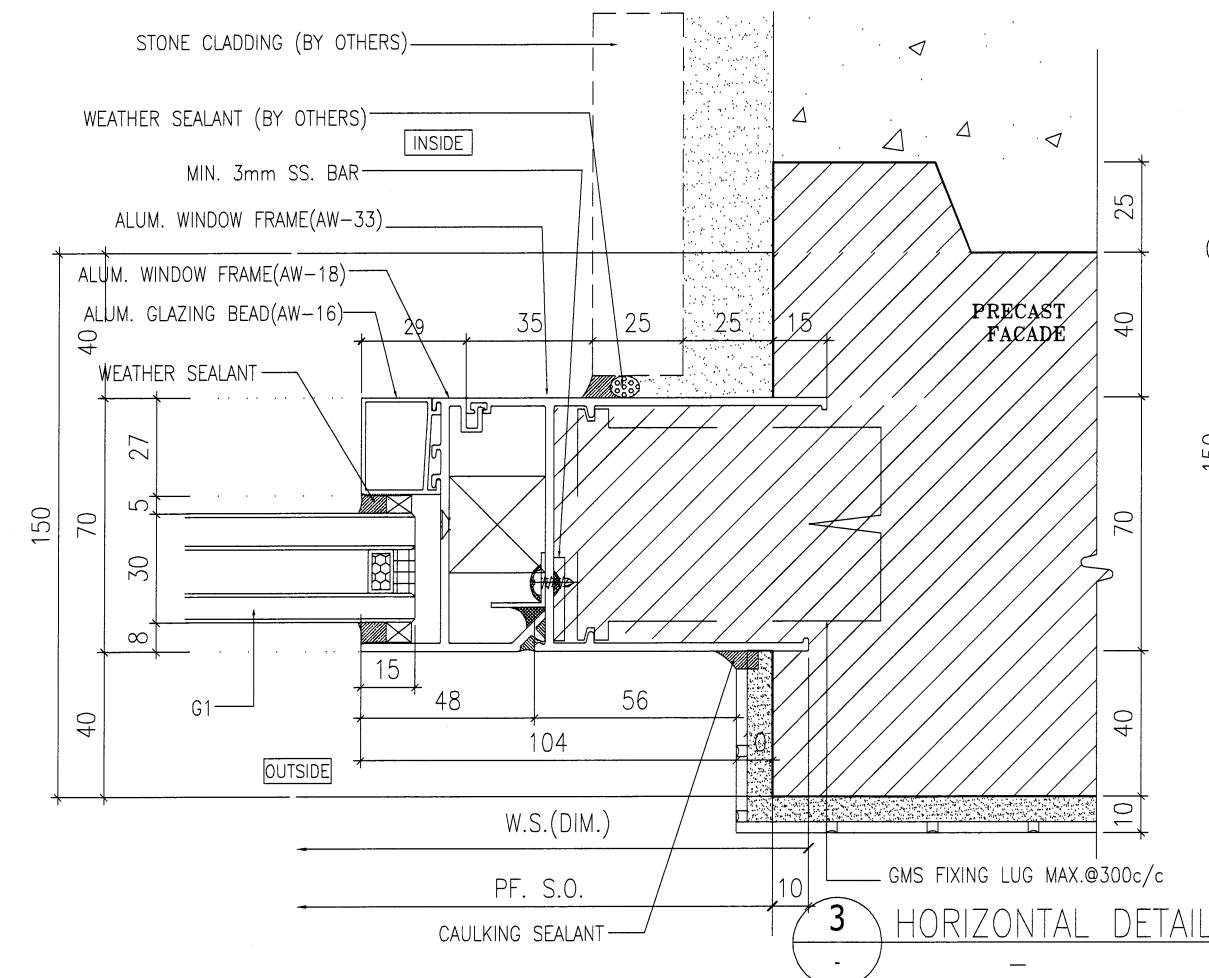
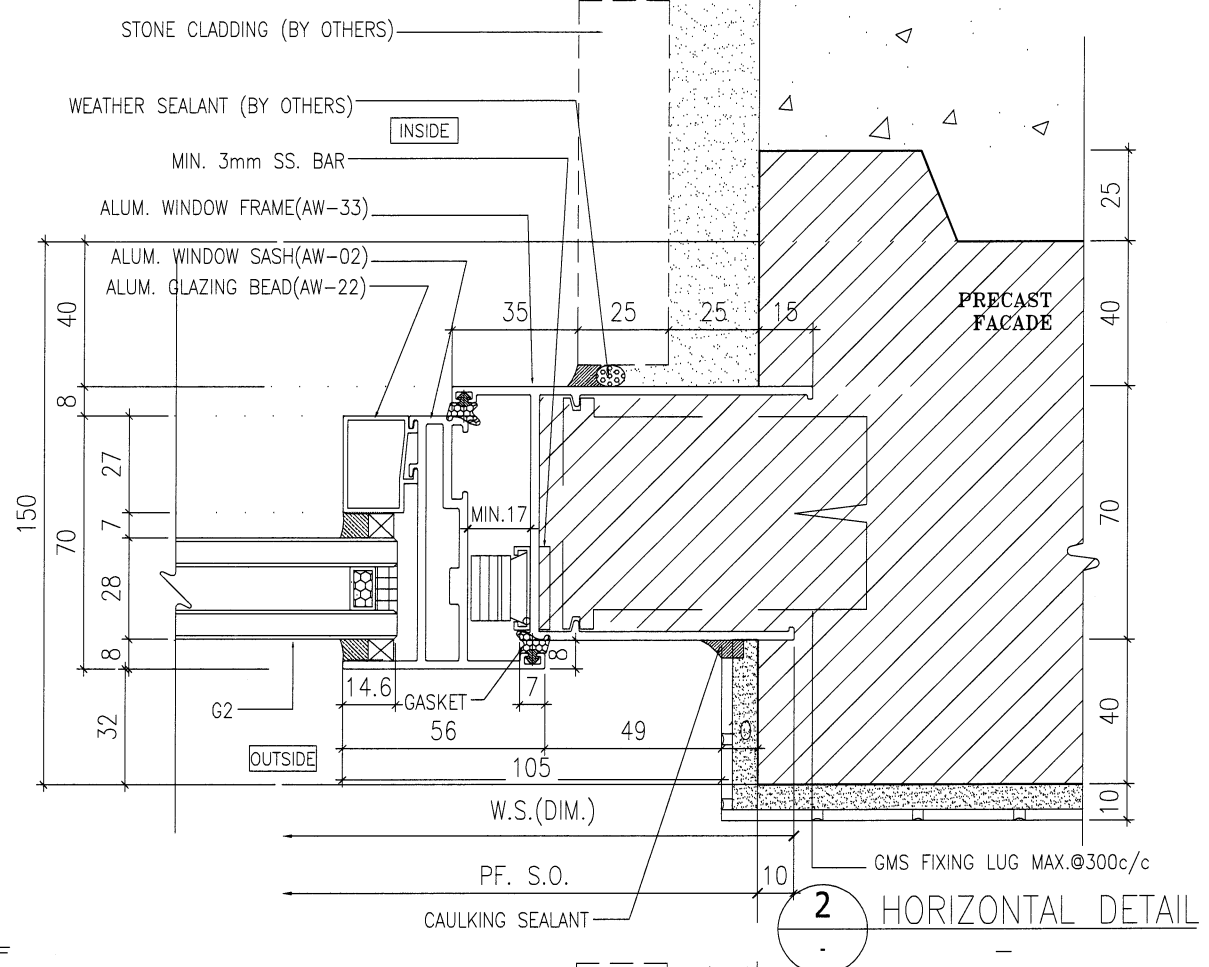
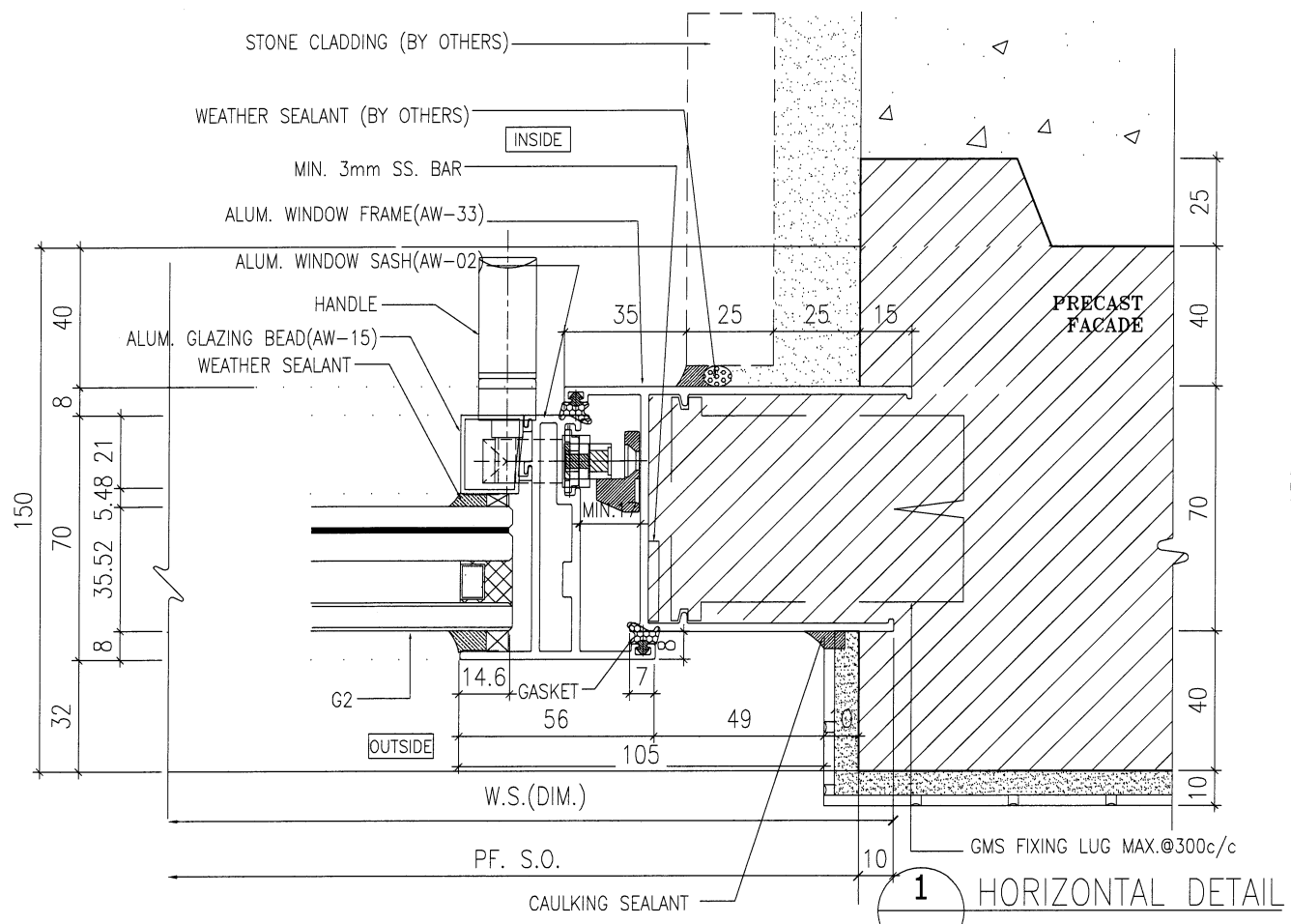
TITLE :
 TYPICAL DETAILS FOR
 ALUM. WINDOW

DATE : 10-Nov-21 SCALE : 1:2 (A3)

DRAWN BY : IVAN CHECKED BY :

美特鋁質有限公司
 MIDI ALUMINIUM FABRICATOR LTD.
 Units 6-8, Sunray Industrial Centre, 1/F
 610 Cho Kwo Ling Road, Kowloon
 Tel:23489211-4 Fax:(652)2727666

DWG NO. : J859-SD-PW-DT70a REV. : A



B.D. REF :

ARCHITECT :
WT WONG TUNG & PARTNERS LIMITED
 ARCHITECTS & PLANNERS

STRUCTURAL ENGINEER :
SUN HUNG KAI
 ARCHITECTS AND ENGINEERS LTD.
 SUN HUNG KAI CENTRE, WANCHAI, HONGKONG
 TEL. 28278111 FAX. 28272884

FACADE CONSULTANT:
α ALPHA CONSULTING LIMITED
 Steel Structure & Facade Specialist

MAIN CONTRACTOR :
Sanfield Engineering
 Construction Ltd.

CLIENT :
SUN HUNG KAI
 REAL ESTATE AGENCY LTD.
 42/F SUN HUNG KAI CENTRE, WANCHAI, HONGKONG

NOTE :
 1. ALL DIMENSIONS ARE IN mm.
 2. ALL ELEVATIONS ARE VIEWED FROM OUTSIDE.
 3. ALL DIMENSIONS TO BE VERIFIED ON SITE BEFORE FABRICATION.

LEGEND :
 (X1) --- DETAIL MARK NO.
 (X001) --- REFER SHEET NO.
 1. F.F.L. --- FINISHED FLOOR LEVEL
 2. S.F.L. --- STRUCTURAL FLOOR LEVEL
 3. (B) --- REVERSED DETAIL
 4. GLASS LEGEND
 G1-8mmHS+12mm AIR GAP+10mmTP I.G.U.
 G2-8mmHS+12mm AIR GAP+8mmTP I.G.U.
 G2a-8mmHS+12mm AIR GAP+8mmTP+1.52PVB +6mm FEATURED GLASS (I.G.U.)
 G8-6mm GREY HS+1.52PVB+6mm CLEAR HS

NO.	DATE	REVISION	SUBJECT TO ARCH.COMMENT	HW	BY
A	28/3/2022				

JOB NO. : J-859
 PROJECT : PROPOSED RESIDENTIAL / COMMERCIAL DEVELOPMENT AT NKIL NO.6551 KAI TAK AREA 4C, SITE 3 KAI TAK, KOWLOON

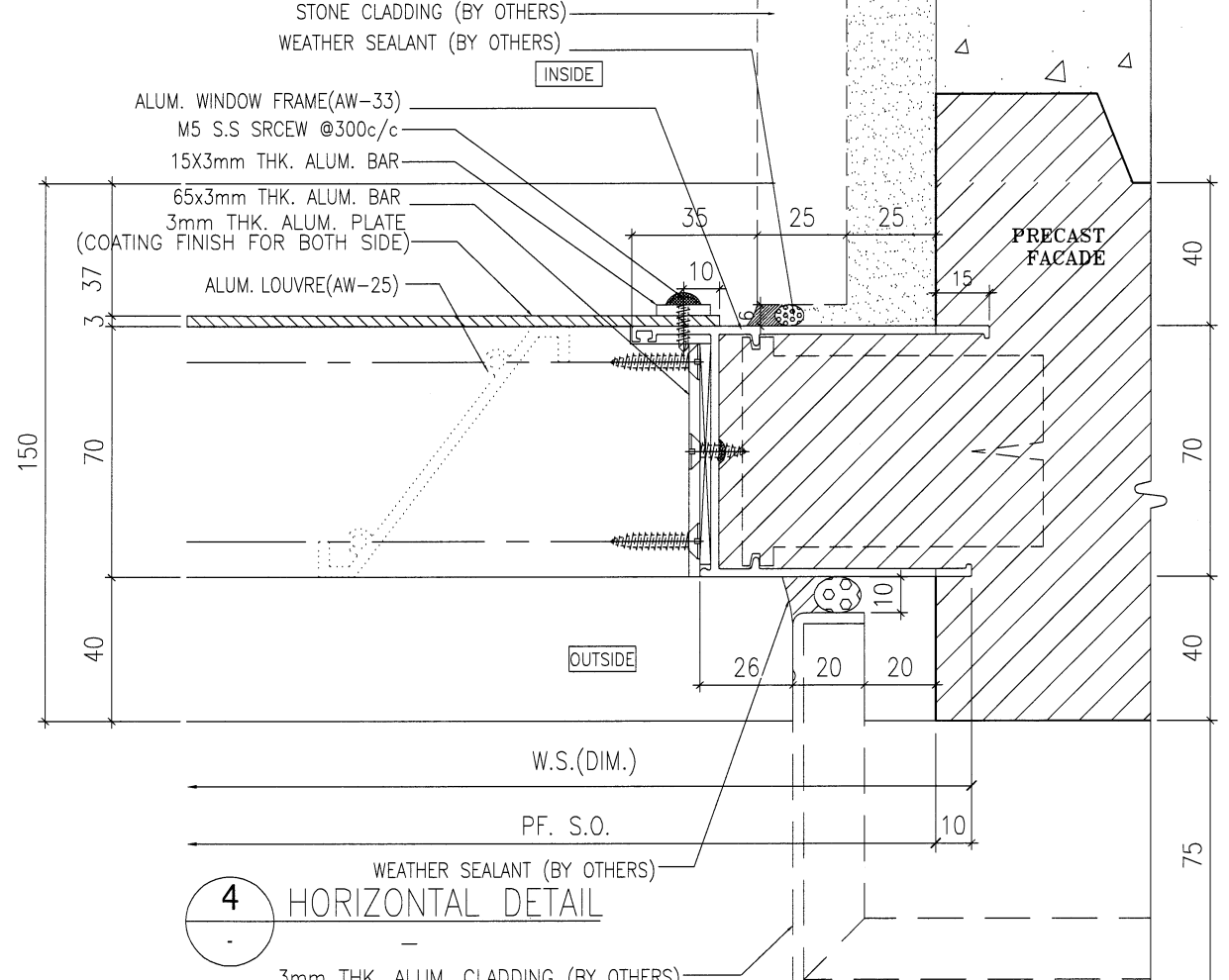
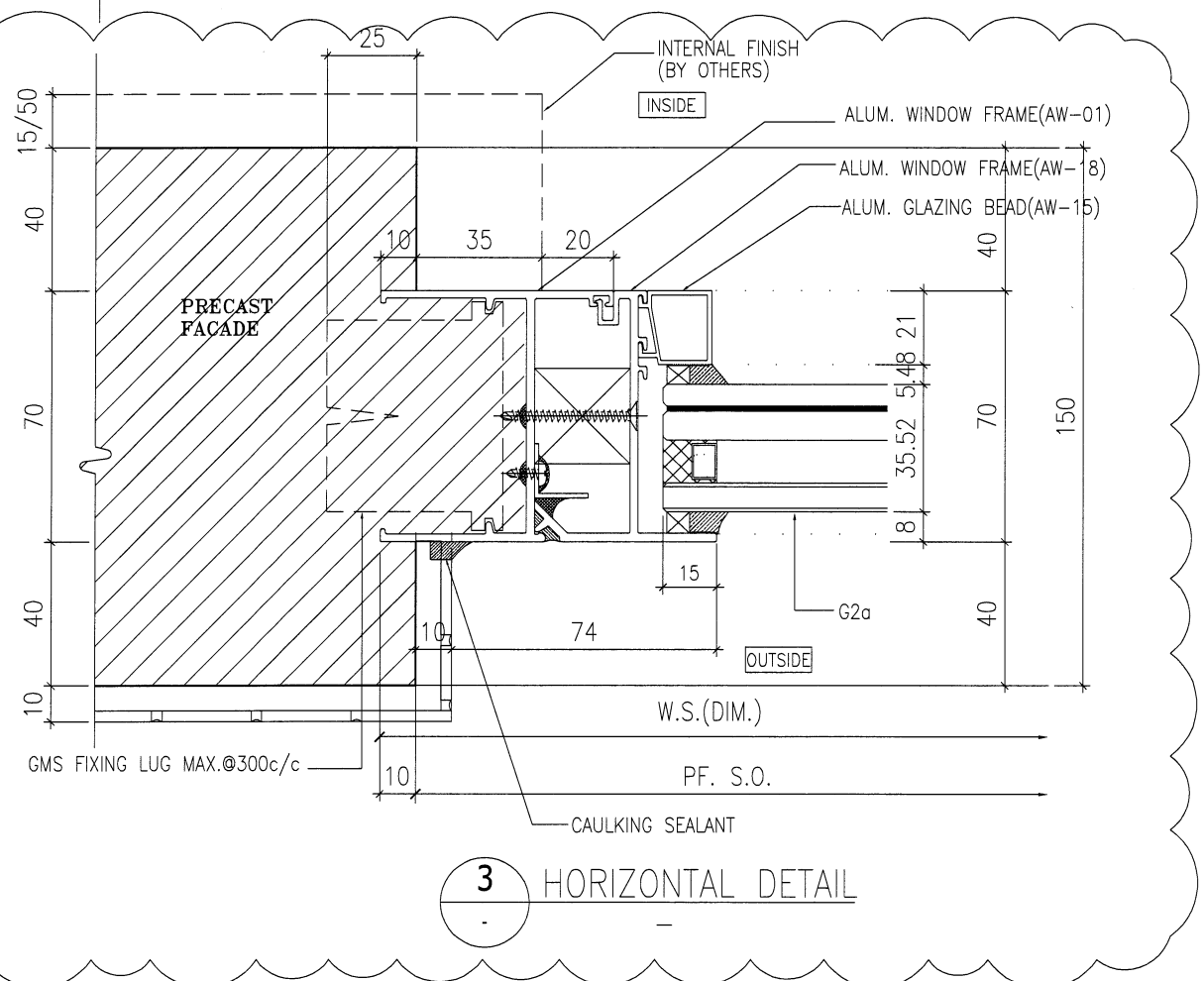
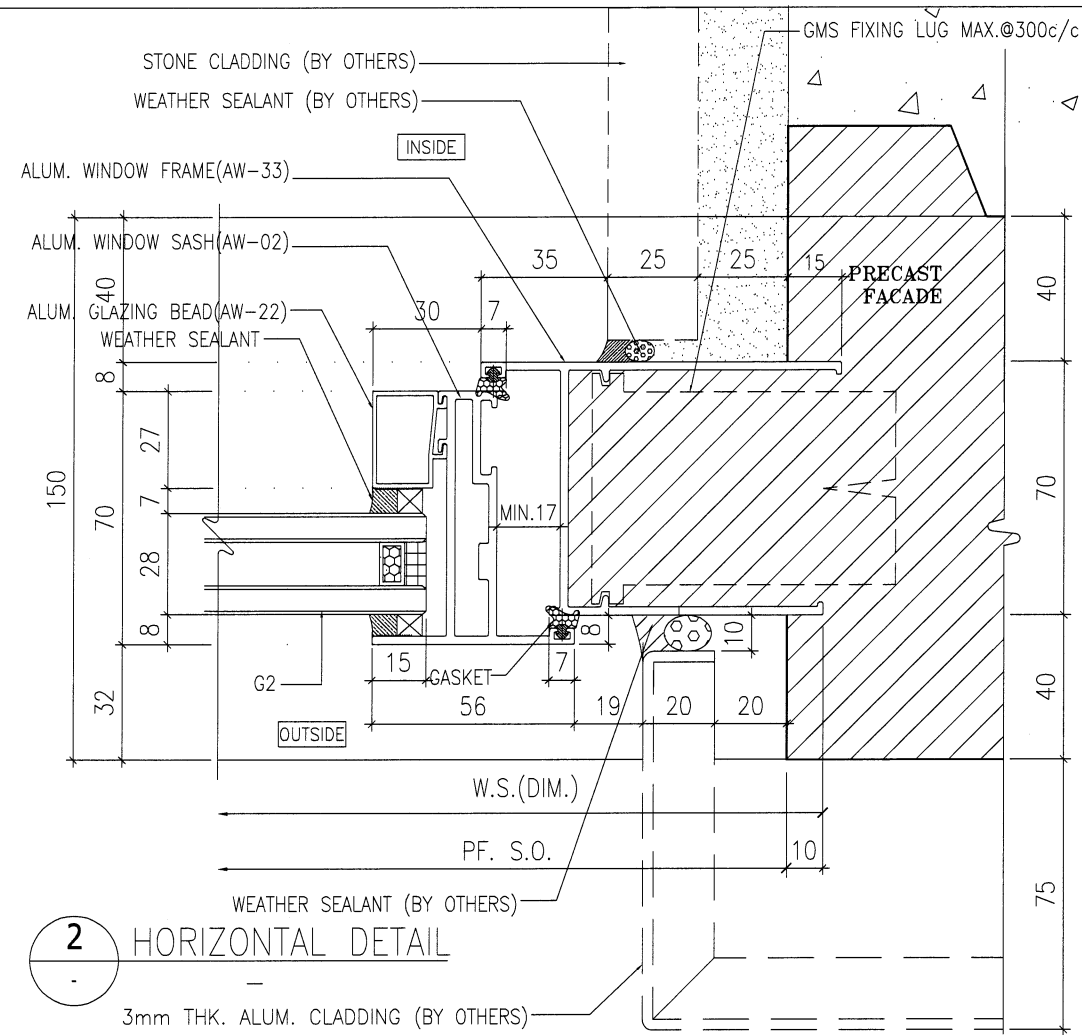
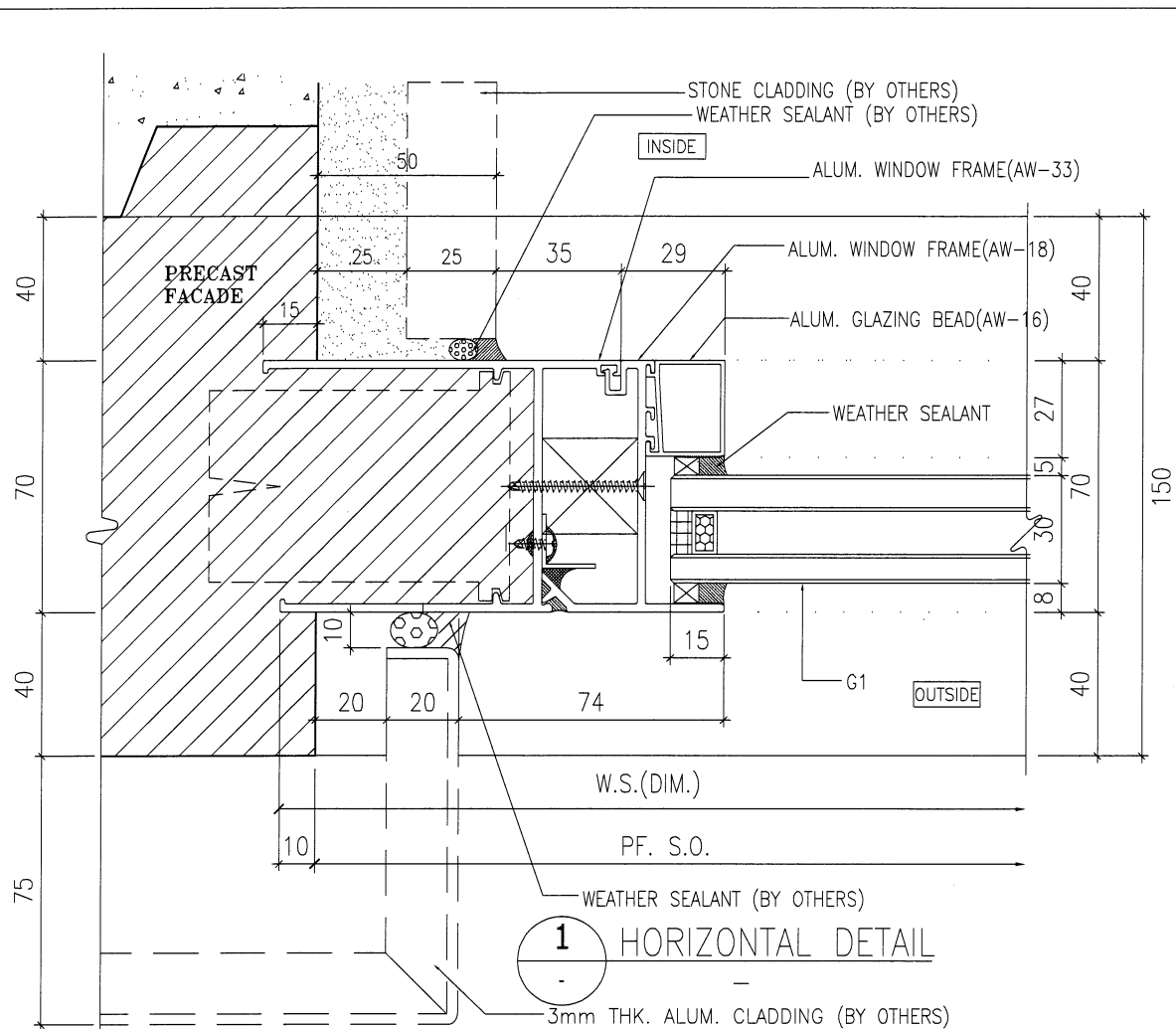
TITLE : TYPICAL DETAILS FOR ALUM. WINDOW

DATE : 10-Nov-21 SCALE : 1:2 (A3)

DRAWN BY : IVAN CHECKED BY :

美特鋁質有限公司
MIDI ALUMINIUM FABRICATOR LTD.
 Units 6-8, Sunray Industrial Centre, 1/F
 610 Cha Kwo Ling Road, Kowloon
 Tel:23489211-4 Fax:(852)27727666

DWG NO. : J859-SD-PW-DT70b REV. : A



B.D. REF :

ARCHITECT :
WT WONG TUNG & PARTNERS LIMITED
ARCHITECTS & PLANNERS

STRUCTURAL ENGINEER :
SUN HUNG KAI
ARCHITECTS AND ENGINEERS LTD.
SUN HUNG KAI CENTRE, WANCHAI, HONGKONG
TEL. 28278111 FAX. 28272884

FACADE CONSULTANT:
α ALPHA CONSULTING LIMITED
Steel Structure & Facade Specialist

MAIN CONTRACTOR :
Sanfield Engineering Construction Ltd.

CLIENT :
SUN HUNG KAI
REAL ESTATE AGENCY LTD.
42/F SUN HUNG KAI CENTRE, WANCHAI, HONGKONG

NOTE :
1. ALL DIMENSIONS ARE IN mm.
2. ALL ELEVATIONS ARE VIEWED FROM OUTSIDE.
3. ALL DIMENSIONS TO BE VERIFIED ON SITE BEFORE FABRICATION.

LEGEND :
X1 - DETAIL MARK NO.
X001 - REFER SHEET NO.

1. F.F.L. -- FINISHED FLOOR LEVEL
2. S.F.L. -- STRUCTURAL FLOOR LEVEL
3. (R) -- REVERSED DETAIL
4. GLASS LEGEND
G1-8mmHS+12mm AIR GAP+10mmTP I.G.U.
G2-8mmHS+12mm AIR GAP+8mmTP I.G.U.
G2a-8mmHS+12mm AIR GAP+8mmTP+1.52PVB+6mm FEATURED GLASS (I.G.U.)
G8-6mm GREY HS+1.52PVB+6mm CLEAR HS

A	28/03/2022	REVISION SUBJECT TO ARCH.COMMENT	IVAN
NO.	DATE	REVISED	BY

JOB NO. : J-859

PROJECT :
PROPOSED RESIDENTIAL / COMMERCIAL DEVELOPMENT AT NKIL NO.6551 KAI TAK AREA 4C, SITE 3 KAI TAK, KOWLOON

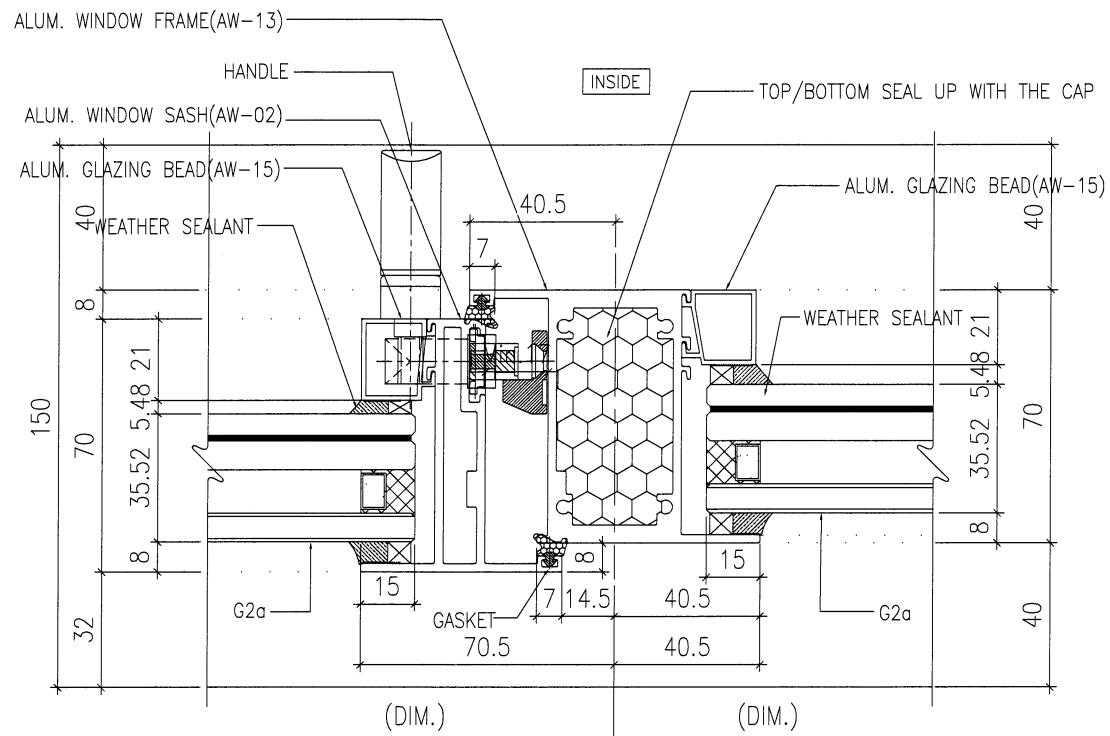
TITLE :
TYPICAL DETAILS FOR ALUM. WINDOW

DATE : 10-Nov-21 SCALE : 1:2 (A3)

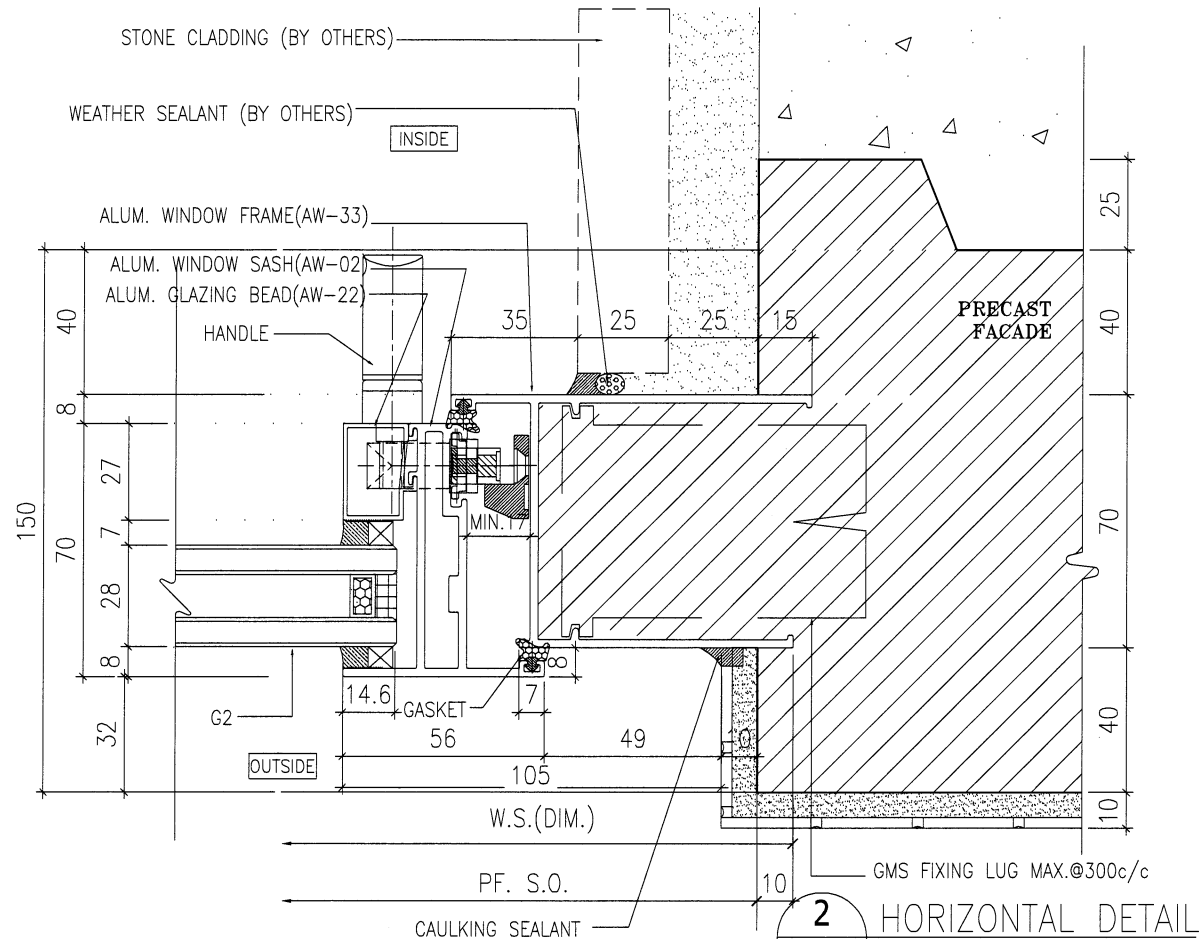
DRAWN BY : IVAN CHECKED BY :

英特鋁質有限公司
MIDI ALUMINIUM FABRICATOR LTD.
Units 6-8, Sunray Industrial Centre, 1/F
610 Cha Kwo Ling Road, Kowloon
Tel:23489211-4 Fax:(852)2727666

DWG NO. : J859-SD-PW-DT70c REV. : A



1 HORIZONTAL DETAIL



2 HORIZONTAL DETAIL

B.D. REF :

ARCHITECT :
WT WONG TUNG & PARTNERS LIMITED
ARCHITECTS & PLANNERS

STRUCTURAL ENGINEER :
SUN HUNG KAI
ARCHITECTS AND ENGINEERS LTD.
SUN HUNG KAI CENTRE, WANCHAI, HONGKONG
TEL. 28278111 FAX. 28272884

FACADE CONSULTANT:
α ALPHA CONSULTING LIMITED
Steel Structure & Facade Specialist

MAIN CONTRACTOR :
Sanfield Engineering Construction Ltd.

CLIENT :
SUN HUNG KAI
REAL ESTATE AGENCY LTD.
42/F SUN HUNG KAI CENTRE, WANCHAI, HONGKONG

NOTE :
1. ALL DIMENSIONS ARE IN mm.
2. ALL ELEVATIONS ARE VIEWED FROM OUTSIDE.
3. ALL DIMENSIONS TO BE VERIFIED ON SITE BEFORE FABRICATION.

LEGEND :
X1 — DETAIL MARK NO.
X001 — REFER SHEET NO.
1. F.F.L. — FINISHED FLOOR LEVEL
2. S.F.L. — STRUCTURAL FLOOR LEVEL
3. (B) — REVERSED DETAIL
4. GLASS LEGEND
G1—8mmHS+12mm AIR GAP+10mmTP I.G.U.
G2—8mmHS+12mm AIR GAP+8mmTP I.G.U.
G2a—8mmHS+12mm AIR GAP+8mmTP+1.52PVB+6mm FEATURED GLASS (I.G.U.)
GB—6mm GREY HS+1.52PVB+6mm CLEAR HS

NO.	DATE	REVISED	BY

JOB NO. : J-859
PROJECT : PROPOSED RESIDENTIAL / COMMERCIAL DEVELOPMENT AT NKIL NO.6551 KAI TAK AREA 4C, SITE 3 KAI TAK, KOWLOON

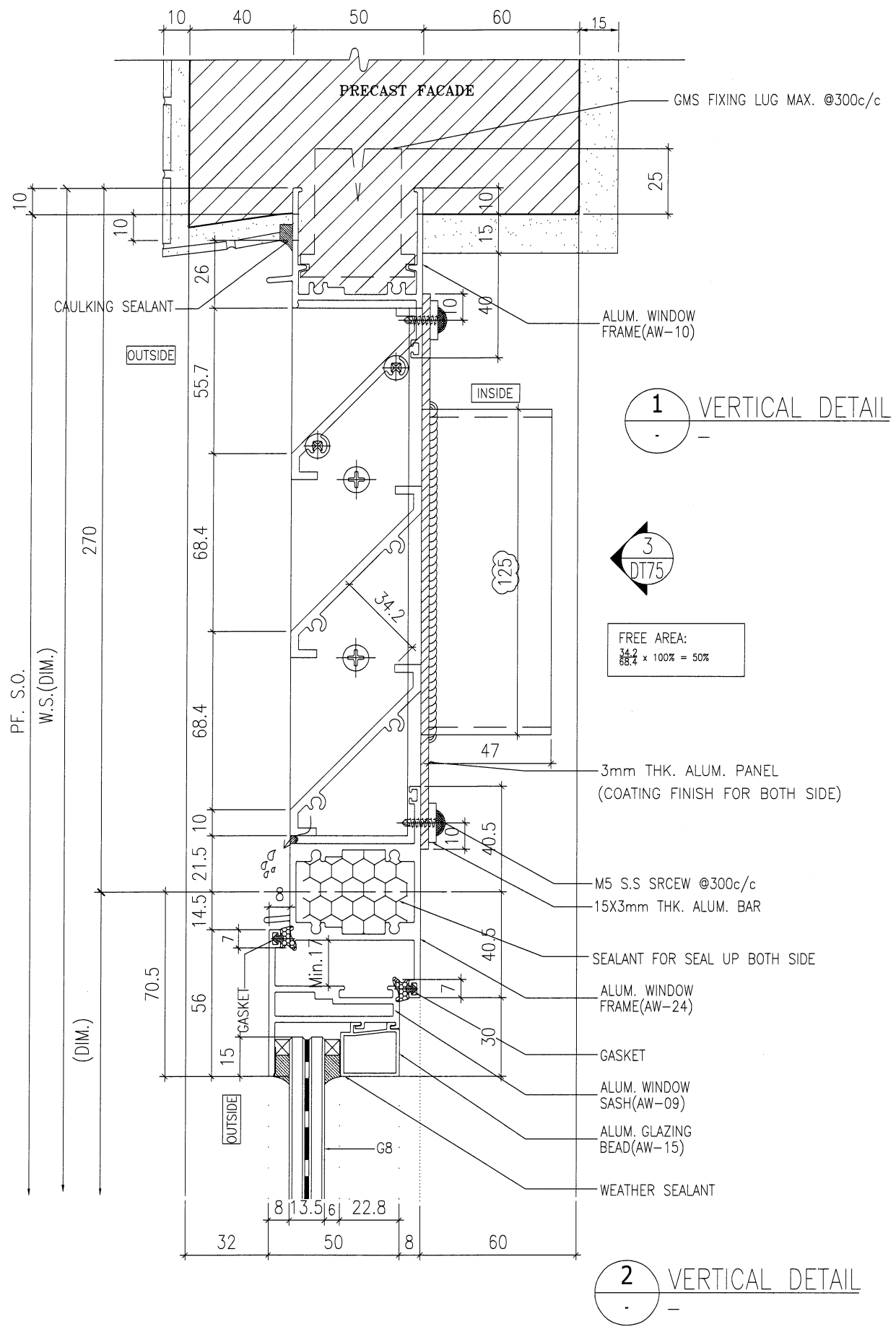
TITLE : TYPICAL DETAILS FOR ALUM. WINDOW

DATE : 28-Mar-22 SCALE : 1:2 (A3)

DRAWN BY : IVAN CHECKED BY :

美特鋁質有限公司
MIDI ALUMINIUM FABRICATOR LTD.
Units 6-8, Sunray Industrial Centre, 1/F
610 Cha Kwo Ling Road, Kowloon
Tel:23489211-4 Fax:(852)27727666

DWG NO. : J859-SD-PW-DT70e REV. : -



FREE AREA:
 $\frac{34.2}{68.4} \times 100\% = 50\%$

B.D. REF :

ARCHITECT :
WT WONG TUNG & PARTNERS LIMITED
 ARCHITECTS & PLANNERS

STRUCTURAL ENGINEER :
SUN HUNG KAI
 ARCHITECTS AND ENGINEERS LTD.
 SUN HUNG KAI CENTRE, WANCHAI, HONGKONG
 TEL. 28278111 FAX. 28272884

FACADE CONSULTANT:
α ALPHA CONSULTING LIMITED
 Steel Structure & Facade Specialist

MAIN CONTRACTOR :
Sanfield Engineering Construction Ltd.

CLIENT :
SUN HUNG KAI
 REAL ESTATE AGENCY LTD.
 42/F SUN HUNG KAI CENTRE, WANCHAI, HONGKONG

NOTE:
 1. ALL DIMENSIONS ARE IN mm.
 2. ALL ELEVATIONS ARE VIEWED FROM OUTSIDE.
 3. ALL DIMENSIONS TO BE VERIFIED ON SITE BEFORE FABRICATION.

LEGEND:
 X1 - DETAIL MARK NO.
 X001 - REFER SHEET NO.

1. F.F.L. -- FINISHED FLOOR LEVEL
 2. S.F.L. -- STRUCTURAL FLOOR LEVEL
 3. (R) -- REVERSED DETAIL
 4. GLASS LEGEND
 G1-8mmHS+12mm AIR GAP+10mmTP I.G.U.
 G2-8mmHS+12mm AIR GAP+8mmTP I.G.U.
 G2a-8mmHS+12mm AIR GAP+8mmTP+1.52PVB+6mm FEATURED GLASS (I.G.U.)
 G8-6mm GREY HS+1.52PVB+6mm CLEAR HS

A	28/3/2022	REVISION SUBJECT TO ARCH.COMMENT	IWAN
NO.	DATE	REVISED	BY

JOB NO. : J-859

PROJECT :
 PROPOSED RESIDENTIAL / COMMERCIAL
 DEVELOPMENT AT NKIL NO.6551 KAI
 TAK AREA 4C, SITE 3
 KAI TAK, KOWLOON

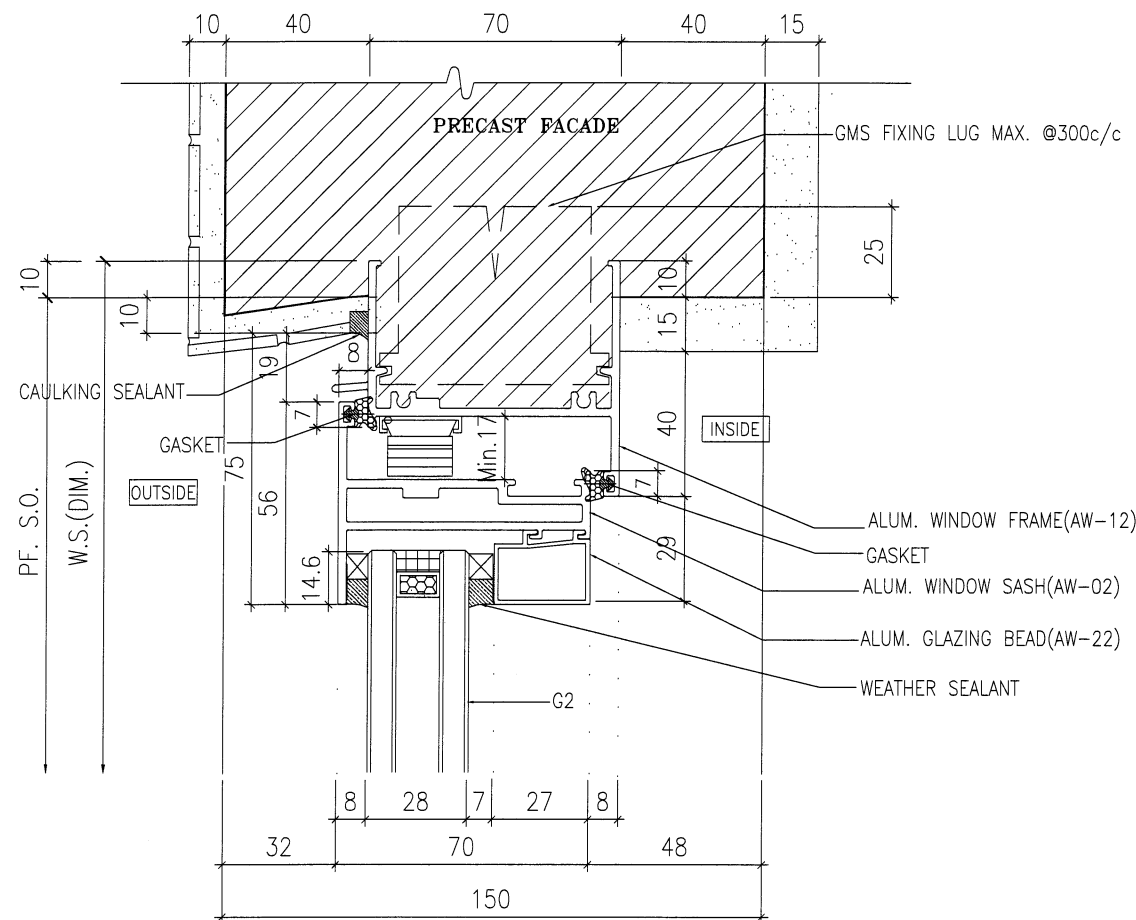
TITLE :
 TYPICAL DETAILS FOR
 ALUM. WINDOW

DATE : 10-Nov-21 SCALE : 1:2 (A3)

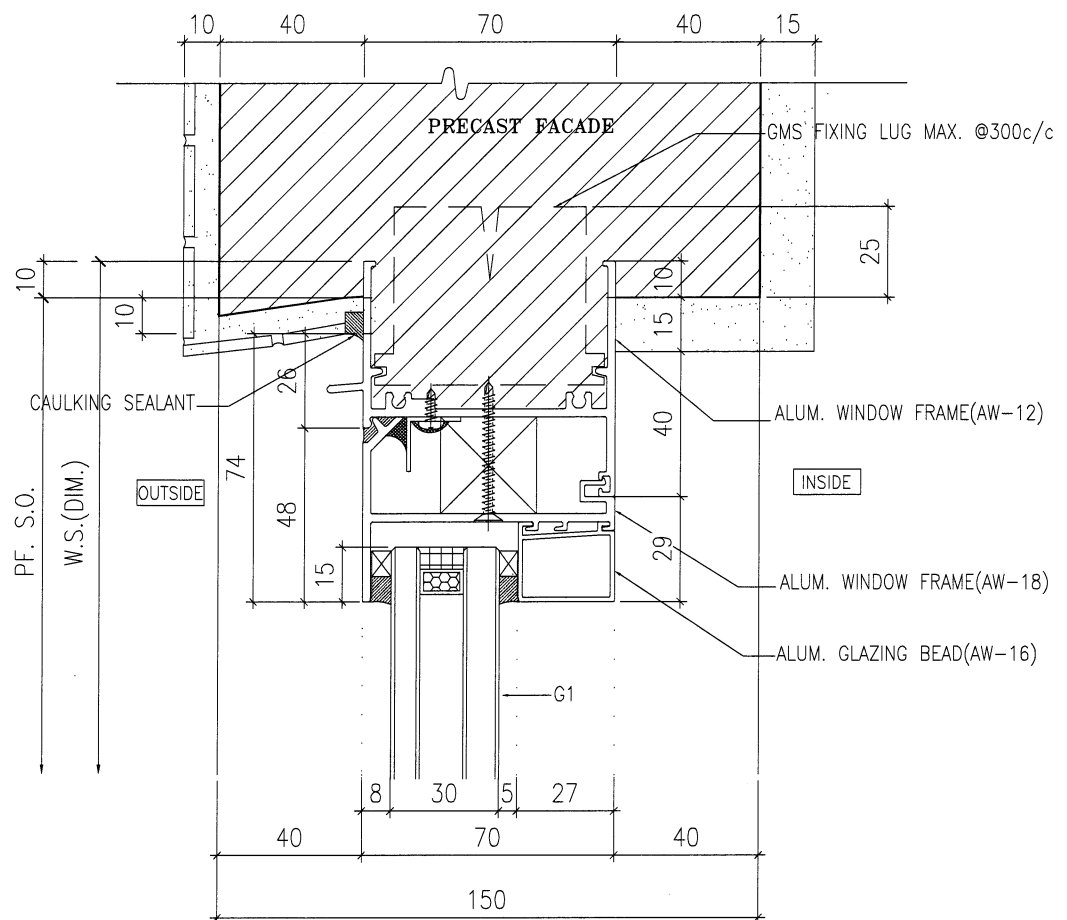
DRAWN BY : IVAN CHECKED BY :

美特鋁質有限公司
MIDI ALUMINIUM FABRICATOR LTD.
 Units 6-8, Sunray Industrial Centre, 1/F
 610 Cha Kwo Ling Road, Kowloon
 Tel:23489211-4 Fax:(852)2727666

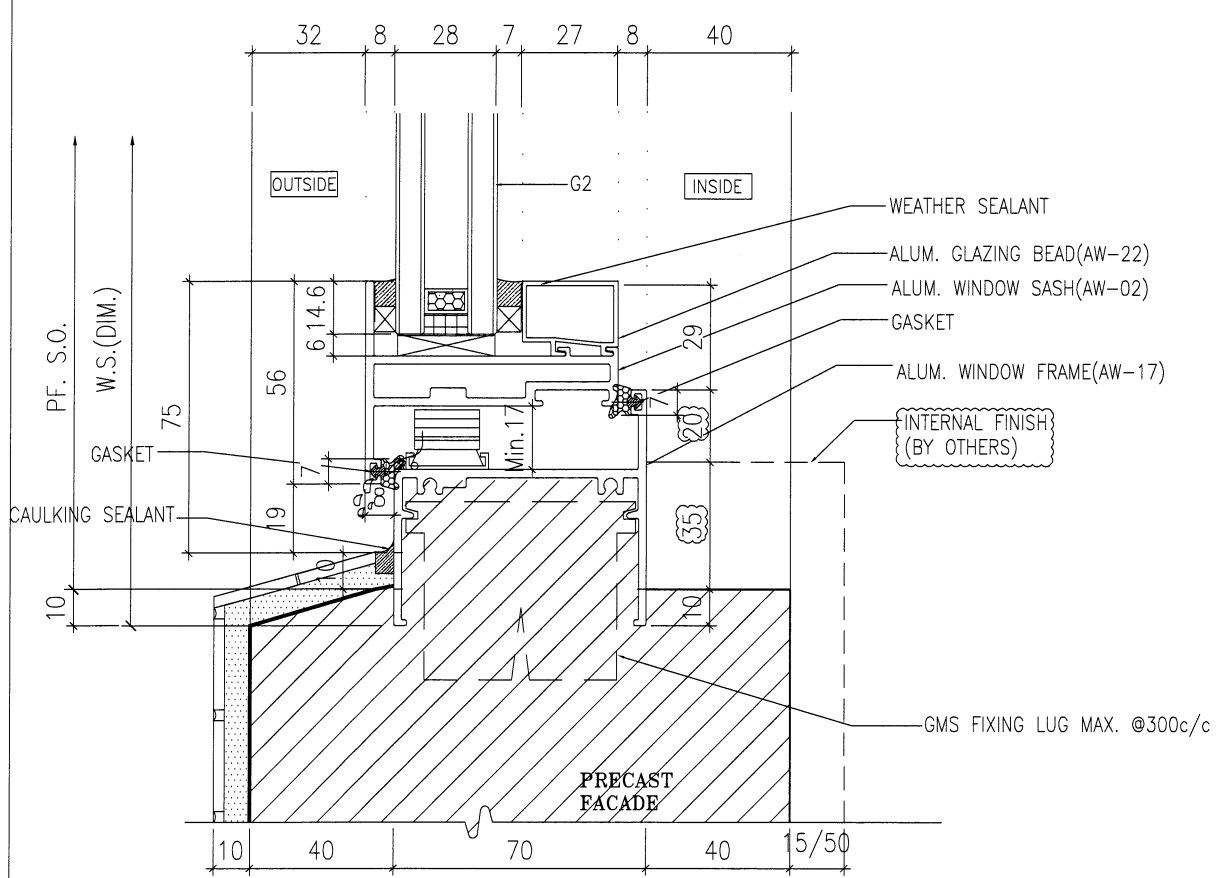
DWG NO. : J859-SD-PW-DT71 REV. : A



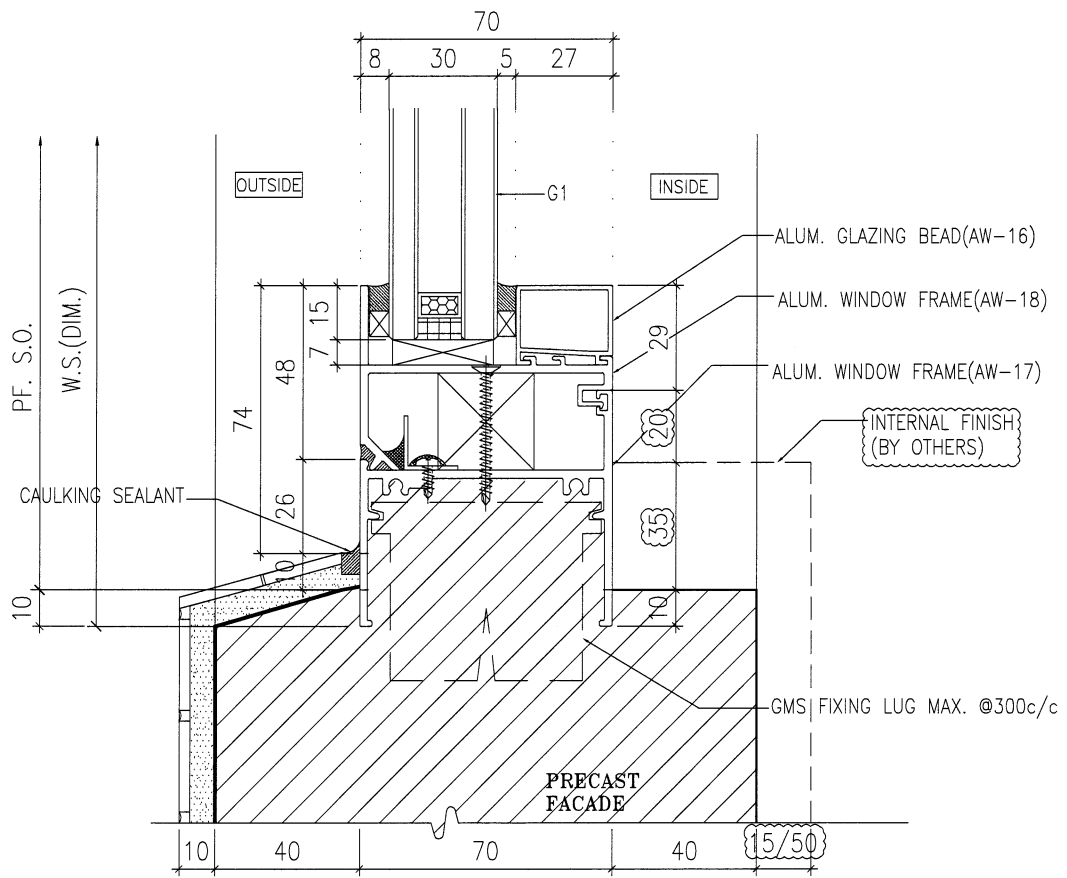
1 VERTICAL DETAIL



2 VERTICAL DETAIL



3 VERTICAL DETAIL



4 VERTICAL DETAIL

B.D. REF :

ARCHITECT :
WT WONG TUNG & PARTNERS LIMITED
 ARCHITECTS & PLANNERS

STRUCTURAL ENGINEER :
SUN HUNG KAI
 ARCHITECTS AND ENGINEERS LTD.
 SUN HUNG KAI CENTRE, WANCHAI, HONGKONG
 TEL. 28278111 FAX. 28272884

FACADE CONSULTANT:
α ALPHA CONSULTING LIMITED
 Steel Structure & Facade Specialist

MAIN CONTRACTOR :
Sanfield Engineering
 Construction Ltd.

CLIENT :
SUN HUNG KAI
 REAL ESTATE AGENCY LTD.
 42/F SUN HUNG KAI CENTRE, WANCHAI, HONGKONG

NOTE :
 1. ALL DIMENSIONS ARE IN mm.
 2. ALL ELEVATIONS ARE VIEWED FROM OUTSIDE.
 3. ALL DIMENSIONS TO BE VERIFIED ON SITE BEFORE FABRICATION.

LEGEND :
 (X1) --- DETAIL MARK NO.
 (X001) --- REFER SHEET NO.
 1. F.F.L. --- FINISHED FLOOR LEVEL
 2. S.F.L. --- STRUCTURAL FLOOR LEVEL
 3. (R) --- REVERSED DETAIL
 4. GLASS LEGEND
 G1-8mmHS+12mm AIR GAP+10mmTP I.G.U.
 G2-8mmHS+12mm AIR GAP+8mmTP I.G.U.
 G2a-8mmHS+12mm AIR GAP+8mmTP+1.52PVB +6mm FEATURED GLASS (I.G.U.)
 G6-6mm GREY HS+1.52PVB+6mm CLEAR HS

NO.	DATE	REVISION SUBJECT TO ARCH.COMMENT	BY
A	28/3/2022	REVISION SUBJECT TO ARCH.COMMENT	Ivan

JOB NO. : J-859
 PROJECT : PROPOSED RESIDENTIAL / COMMERCIAL DEVELOPMENT AT NKIL NO.6551 KAI TAK AREA 4C, SITE 3 KAI TAK, KOWLOON

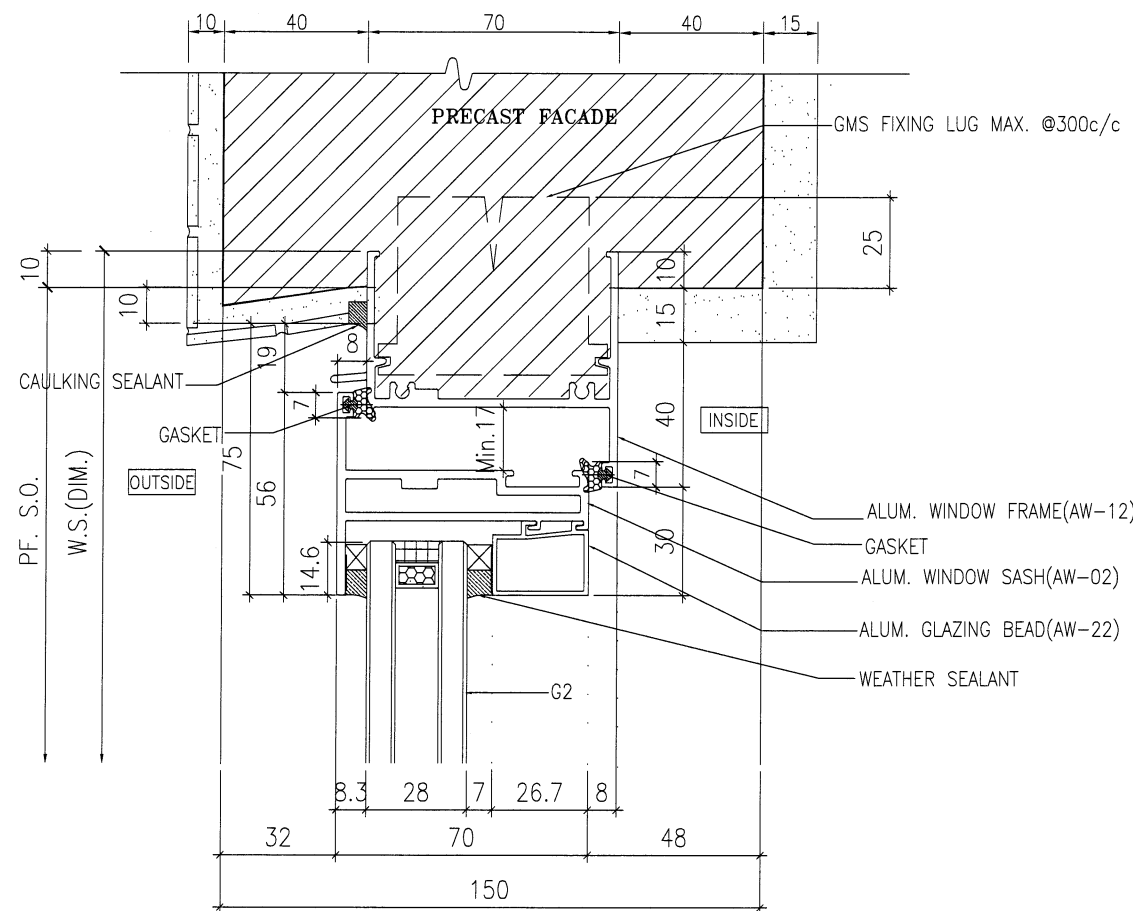
TITLE : TYPICAL DETAILS FOR ALUM. WINDOW

DATE : 10-Nov-21 SCALE : 1:2 (A3)

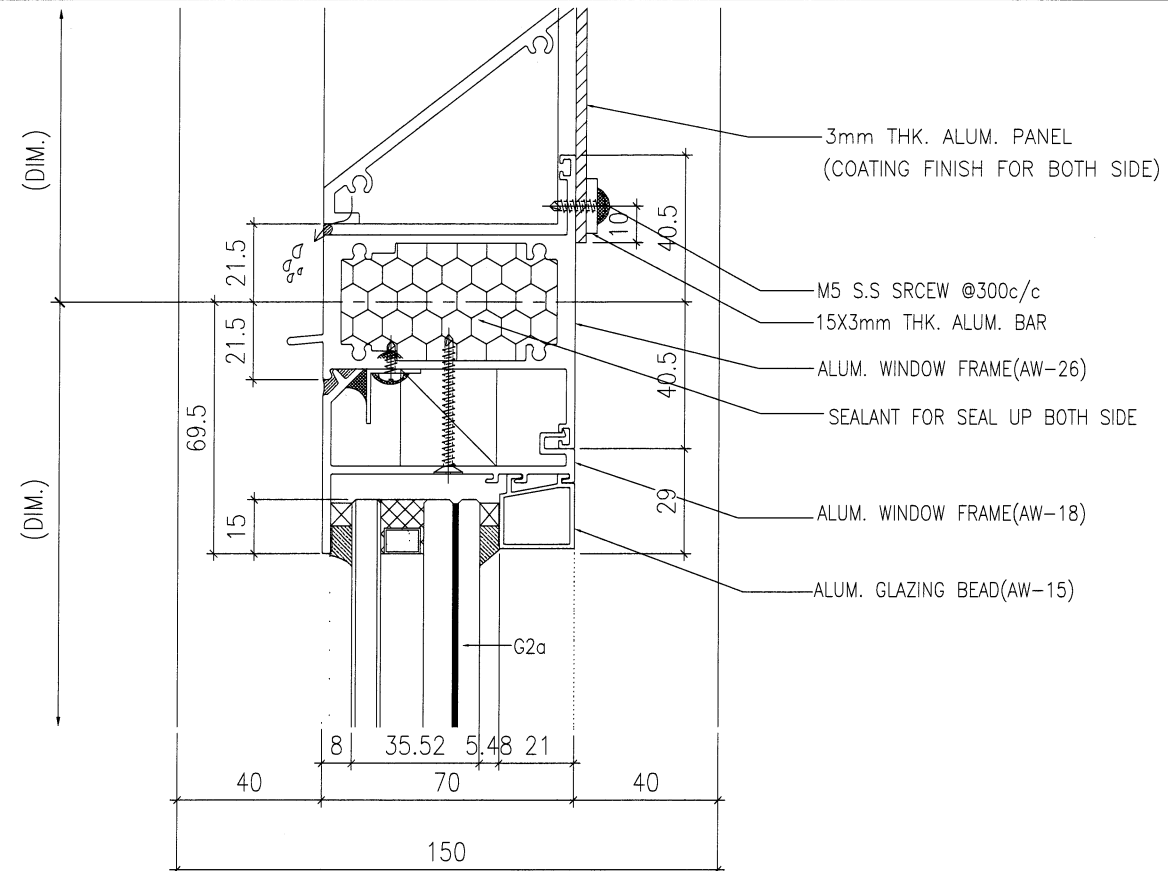
DRAWN BY : IVAN CHECKED BY :

美特鋁質有限公司
MIDI ALUMINIUM FABRICATOR LTD.
 Units 6-8, Sunray Industrial Centre, 1/F
 610 Cha Kwo Ling Road, Kowloon
 Tel:23489211-4 Fax:(852)27727666

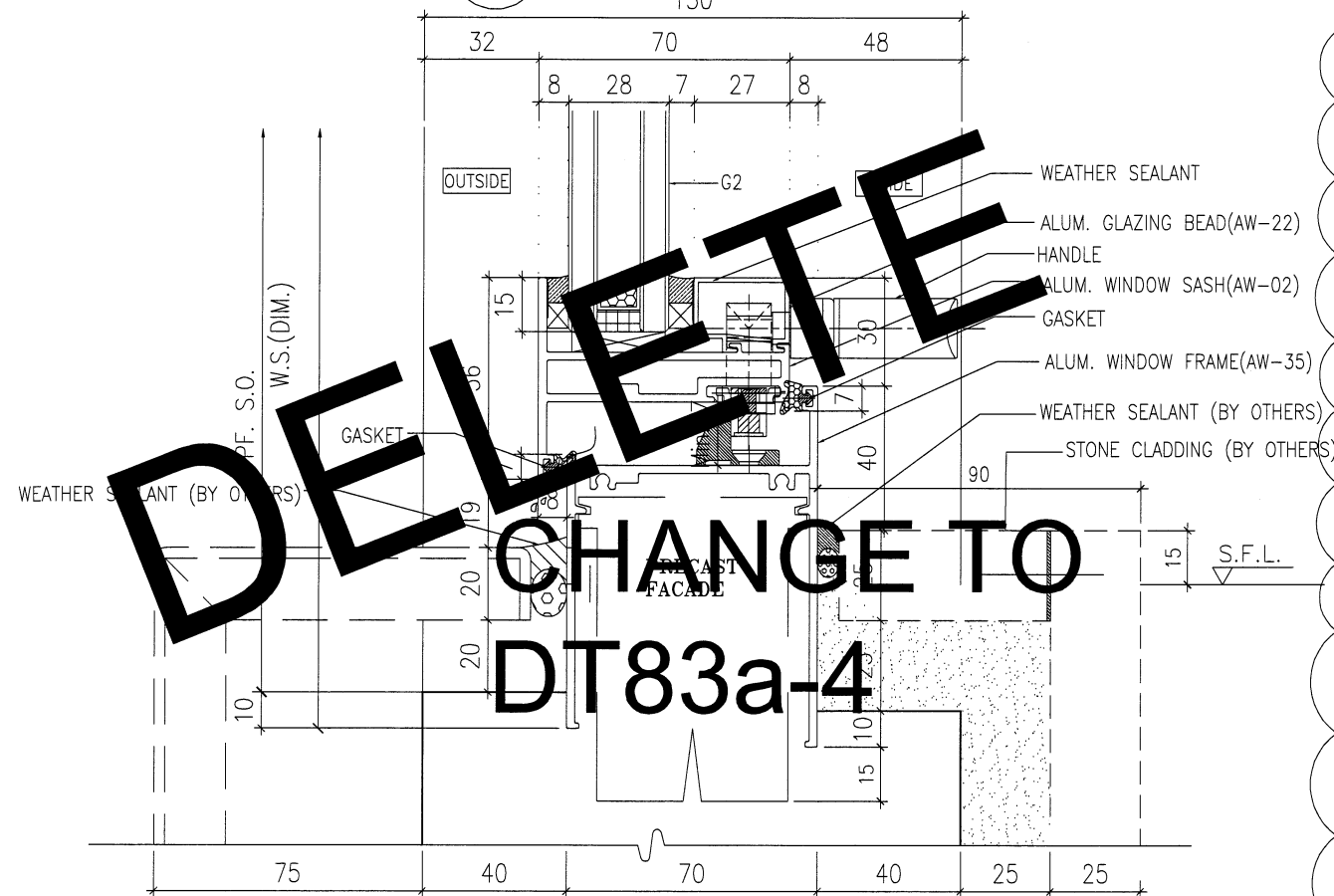
DWG NO. : J859-SD-PW-DT72 REV. : A



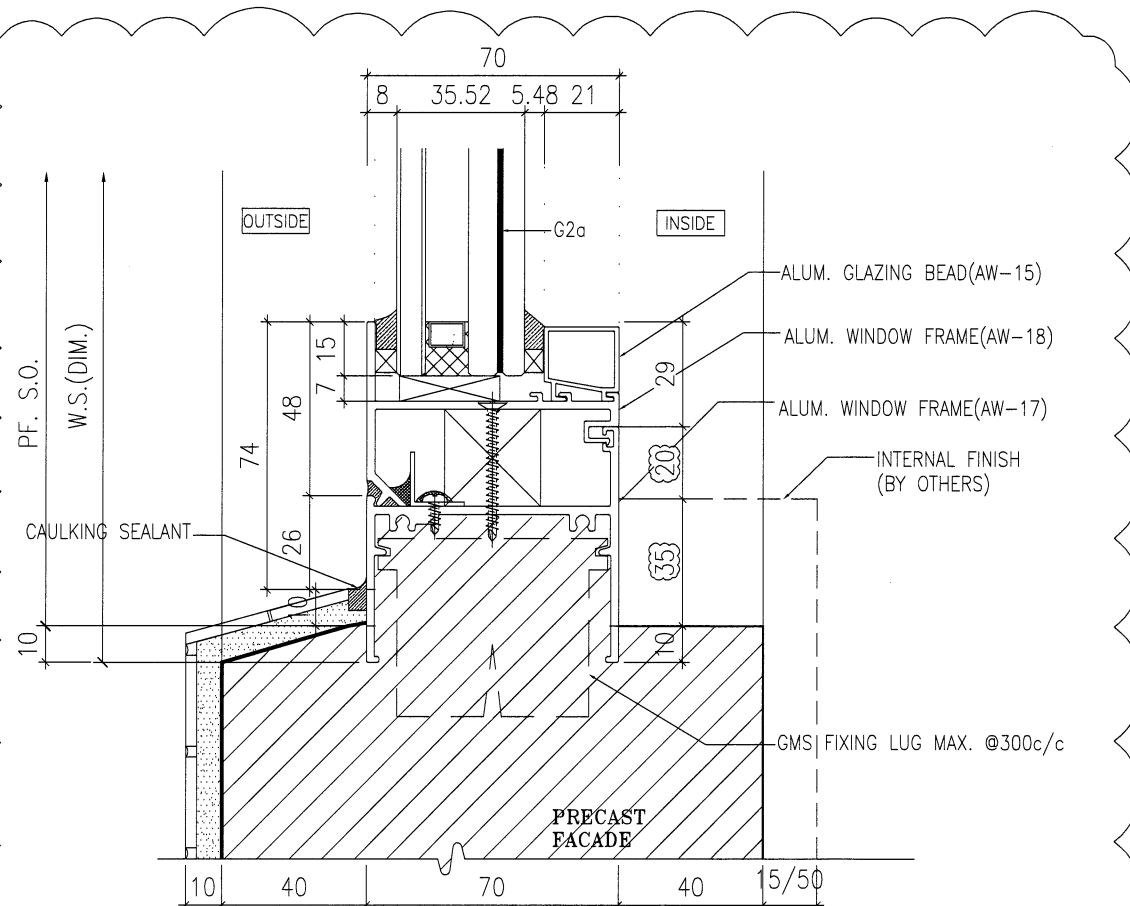
1 VERTICAL DETAIL



2 VERTICAL DETAIL



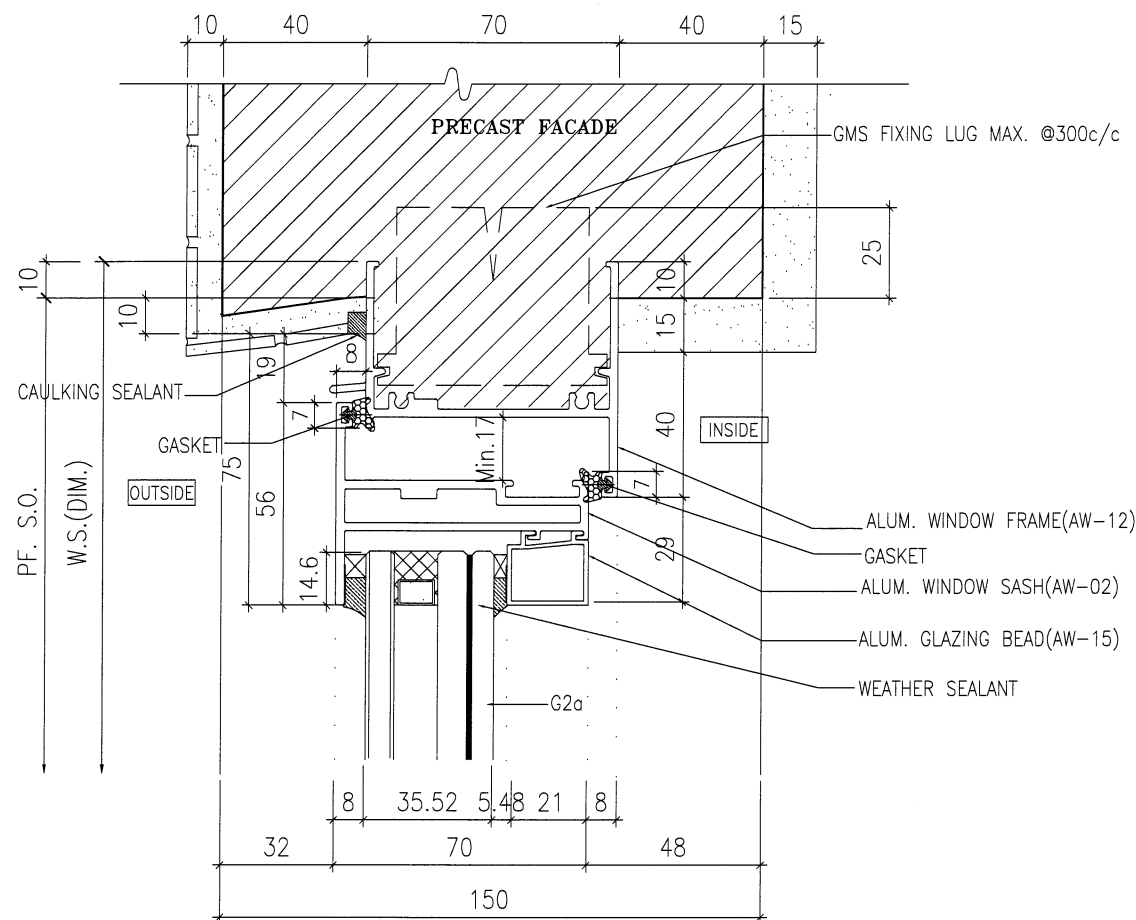
3 VERTICAL DETAIL



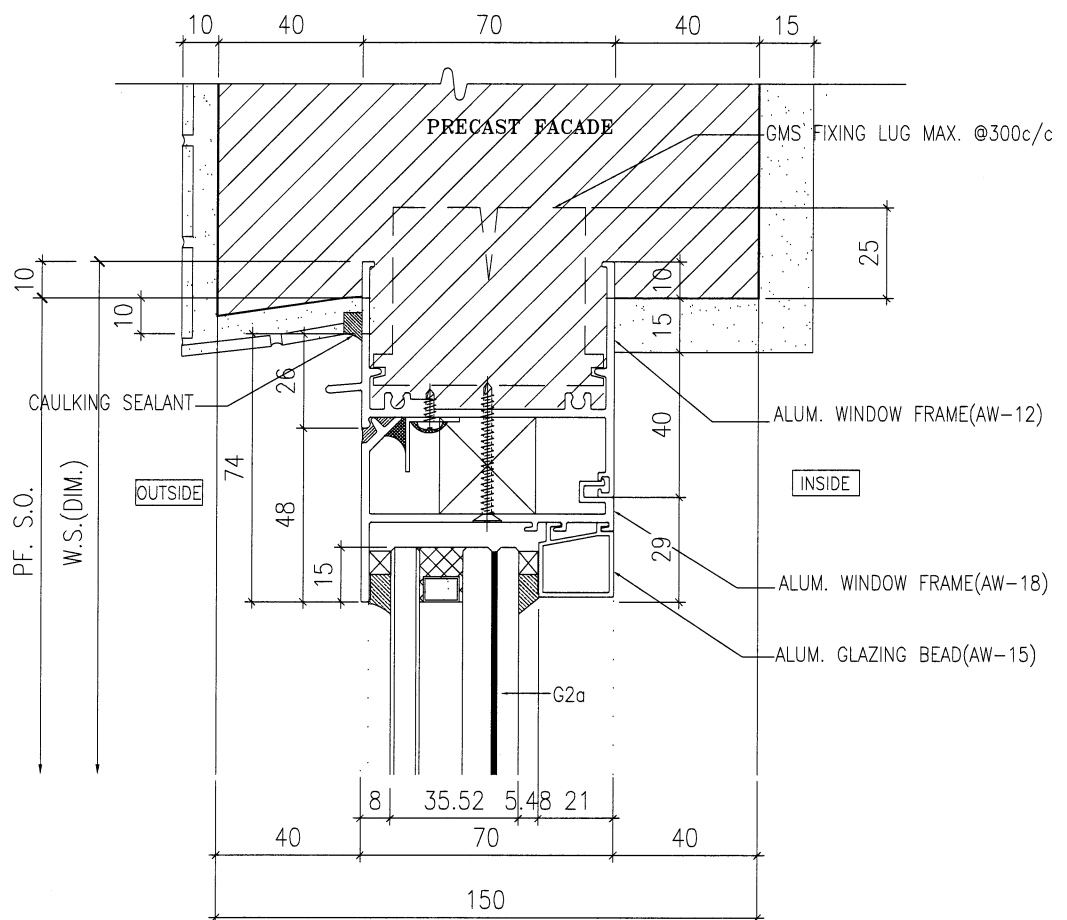
4 VERTICAL DETAIL

DELETE
CHANGE TO
DT83a-4

B.D. REF :		
ARCHITECT : WT WONG TUNG & PARTNERS LIMITED ARCHITECTS & PLANNERS		
STRUCTURAL ENGINEER : SUN HUNG KAI ARCHITECTS AND ENGINEERS LTD. SUN HUNG KAI CENTRE, WANCHAI, HONGKONG TEL. 28278111 FAX. 28272884		
FACADE CONSULTANT: ALPHA CONSULTING LIMITED Steel Structure & Facade Specialist		
MAIN CONTRACTOR : Sanfield Engineering Construction Ltd.		
CLIENT : SUN HUNG KAI REAL ESTATE AGENCY LTD. 42/F SUN HUNG KAI CENTRE, WANCHAI, HONGKONG		
NOTE : 1. ALL DIMENSIONS ARE IN mm. 2. ALL ELEVATIONS ARE VIEWED FROM OUTSIDE. 3. ALL DIMENSIONS TO BE VERIFIED ON SITE BEFORE FABRICATION.		
LEGEND : (X1) -- DETAIL MARK NO. (X001) -- REFER SHEET NO.		
1. F.F.L. -- FINISHED FLOOR LEVEL 2. S.F.L. -- STRUCTURAL FLOOR LEVEL 3. (R) -- REVERSED DETAIL 4. GLASS LEGEND G1-8mmHS+12mm AIR GAP+10mmTP I.G.U. G2-8mmHS+12mm AIR GAP+8mmTP I.G.U. G2a-8mmHS+12mm AIR GAP+8mmTP+1.52PVB+6mm FEATURED GLASS (I.G.U.) GB-6mm GREY HS+1.52PVB+6mm CLEAR HS		
A	28/03/2022	REVISION SUBJECT TO ARCH.COMMENT
NO.	DATE	REVISED BY
JOB NO. : J-859		
PROJECT : PROPOSED RESIDENTIAL / COMMERCIAL DEVELOPMENT AT NKIL NO.6551 KAI TAK AREA 4C, SITE 3 KAI TAK, KOWLOON		
TITLE : TYPICAL DETAILS FOR ALUM. WINDOW		
DATE : 10-Nov-21		SCALE : 1:2 (A3)
DRAWN BY : IVAN		CHECKED BY :
英特鋁質有限公司 MIDI ALUMINIUM FABRICATOR LTD. Units 6-8, Sunray Industrial Centre, 1/F 610 Cha Kwo Ling Road, Kowloon Tel:23489211-4 Fax:(852)2727666		
DWG NO. : J859-SD-PW-DT72a		REV. : A



1 VERTICAL DETAIL



2 VERTICAL DETAIL

B.D. REF :

ARCHITECT :
WT WONG TUNG & PARTNERS LIMITED
 ARCHITECTS & PLANNERS

STRUCTURAL ENGINEER :
SUN HUNG KAI
 ARCHITECTS AND ENGINEERS LTD.
 SUN HUNG KAI CENTRE, WANCHAI, HONGKONG
 TEL. 28278111 FAX. 28272884

FACADE CONSULTANT:
α ALPHA CONSULTING LIMITED
 Steel Structure & Facade Specialist

MAIN CONTRACTOR :
Sanfield Engineering Construction Ltd.

CLIENT :
SUN HUNG KAI
 REAL ESTATE AGENCY LTD.
 42/F SUN HUNG KAI CENTRE, WANCHAI, HONGKONG

NOTE :
 1. ALL DIMENSIONS ARE IN mm.
 2. ALL ELEVATIONS ARE VIEWED FROM OUTSIDE.
 3. ALL DIMENSIONS TO BE VERIFIED ON SITE BEFORE FABRICATION.

LEGEND :
 (X1) — DETAIL MARK NO.
 (X001) — REFER SHEET NO.
 1. F.F.L. — FINISHED FLOOR LEVEL
 2. S.F.L. — STRUCTURAL FLOOR LEVEL
 3. (B) — REVERSED DETAIL
 4. GLASS LEGEND
 G1 — 8mmHS+12mm AIR GAP+10mmTP I.G.U.
 G2 — 8mmHS+12mm AIR GAP+8mmTP I.G.U.
 G2a — 8mmHS+12mm AIR GAP+8mmTP+1.52PVB+6mm FEATURED GLASS (I.G.U.)
 G8 — 6mm GREY HS+1.52PVB+6mm CLEAR HS

NO.	DATE	REVISION	SUBJECT TO ARCH.COMMENT	BY
A	28/3/2022		REVISION SUBJECT TO ARCH.COMMENT	IVAN

JOB NO. : J-859
 PROJECT : PROPOSED RESIDENTIAL / COMMERCIAL DEVELOPMENT AT NKIL NO.6551 KAI TAK AREA 4C, SITE 3 KAI TAK, KOWLOON

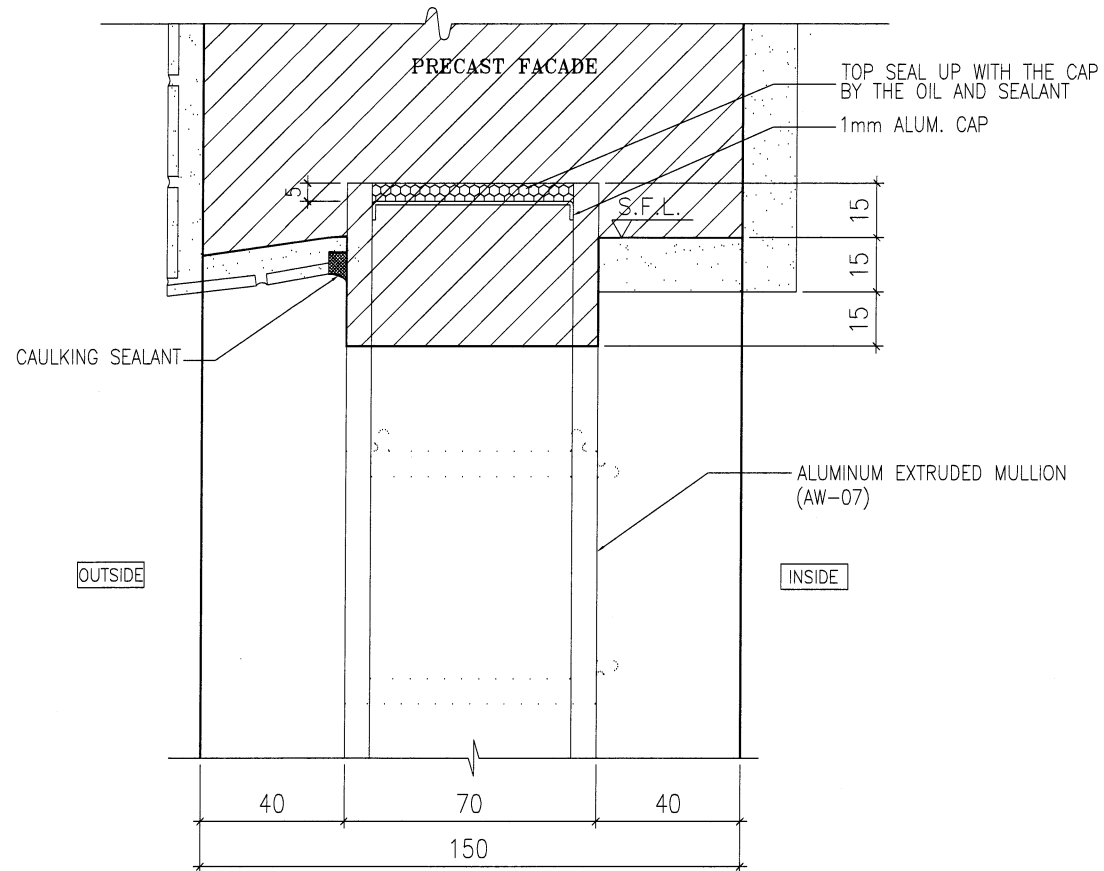
TITLE : TYPICAL DETAILS FOR ALUM. WINDOW

DATE : 10-Nov-21 SCALE : 1:2 (A3)

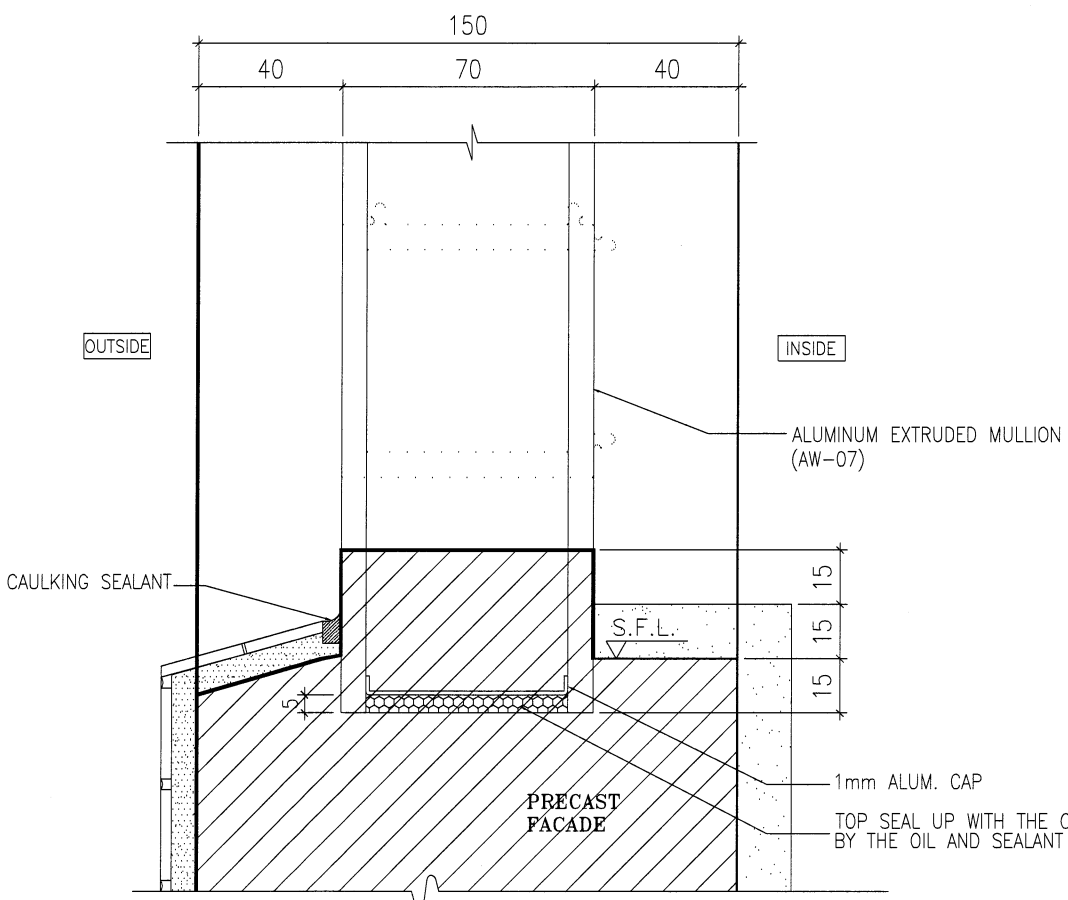
DRAWN BY : IVAN CHECKED BY :

英特鋁質有限公司
MIDI ALUMINIUM FABRICATOR LTD.
 Units 6-B, Sunray Industrial Centre, 1/F
 610 Cha Kwo Ling Road, Kowloon
 Tel:23489211-4 Fax:(852)27727666

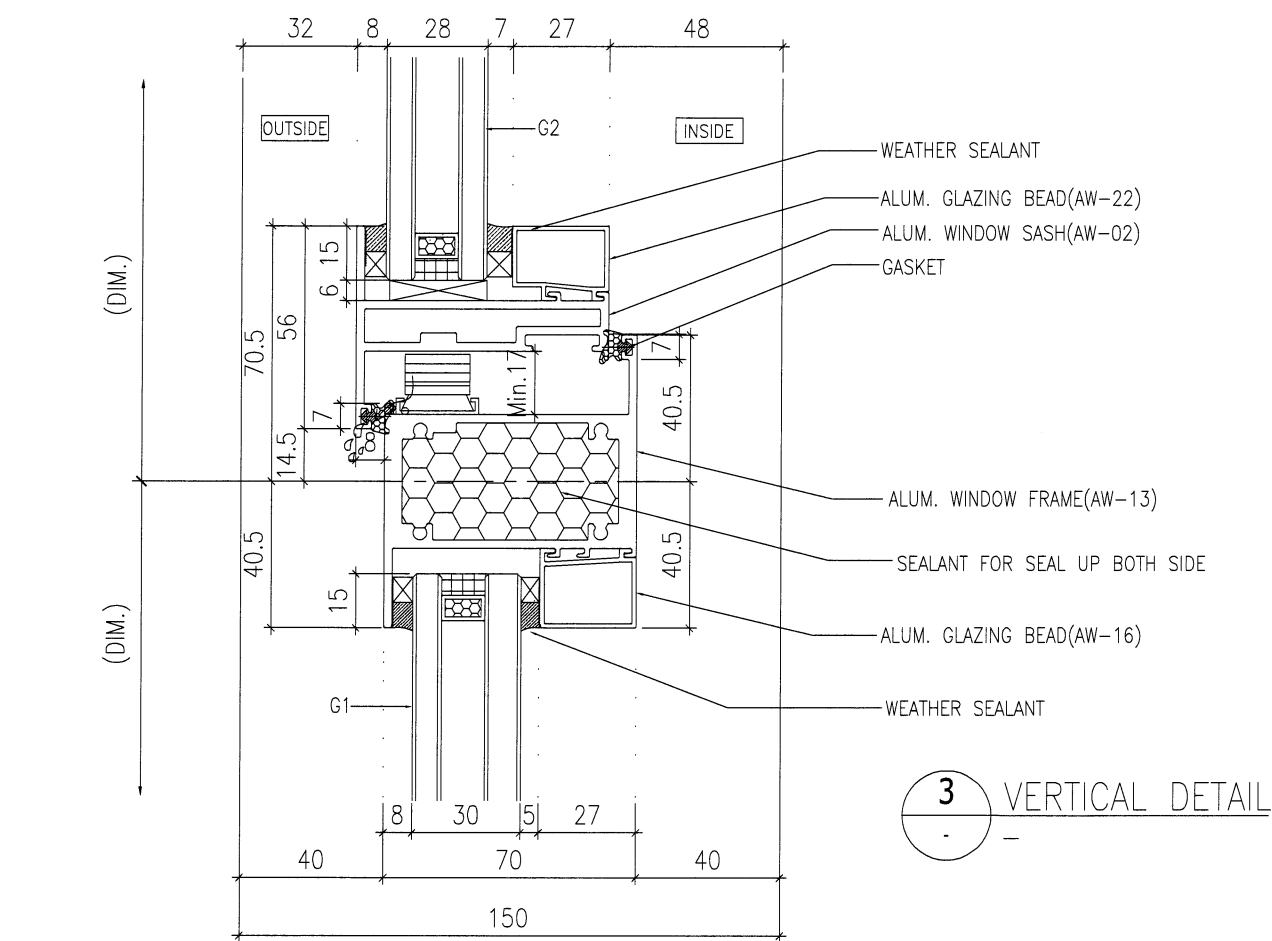
DWG NO. : J859-SD-PW-DT72b REV. : A



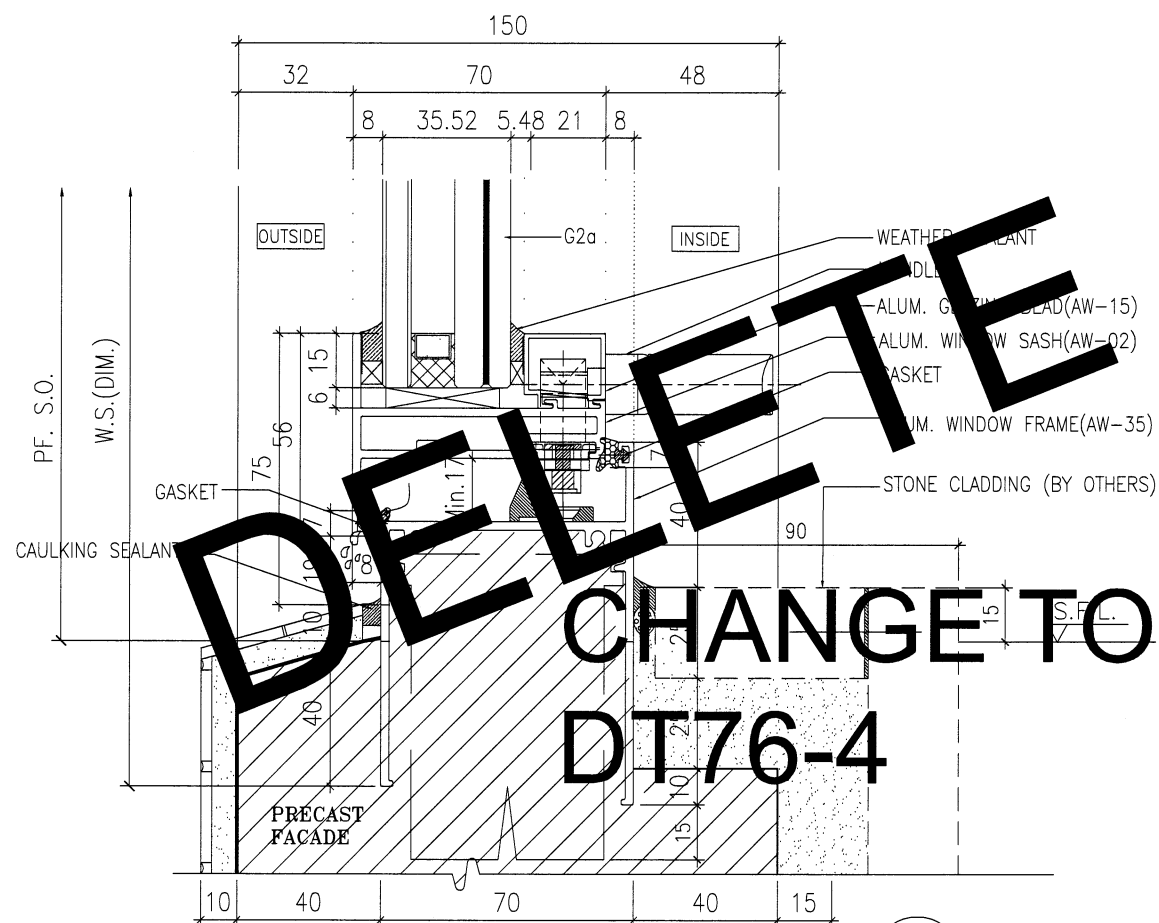
1 VERTICAL DETAIL



2 VERTICAL DETAIL



3 VERTICAL DETAIL



4 VERTICAL DETAIL

DELETE CHANGE TO DT76-4

B.D. REF :

ARCHITECT :
WT WONG TUNG & PARTNERS LIMITED
 ARCHITECTS & PLANNERS

STRUCTURAL ENGINEER :
SUN HUNG KAI
 ARCHITECTS AND ENGINEERS LTD.
 SUN HUNG KAI CENTRE, WANCHAI, HONGKONG
 TEL. 28278111 FAX. 28272884

FACADE CONSULTANT:
α ALPHA CONSULTING LIMITED
 Steel Structure & Facade Specialist

MAIN CONTRACTOR :
Sanfield Engineering Construction Ltd.

CLIENT :
SUN HUNG KAI
 REAL ESTATE AGENCY LTD.
 42/F SUN HUNG KAI CENTRE, WANCHAI, HONGKONG

NOTE :
 1. ALL DIMENSIONS ARE IN mm.
 2. ALL ELEVATIONS ARE VIEWED FROM OUTSIDE.
 3. ALL DIMENSIONS TO BE VERIFIED ON SITE BEFORE FABRICATION.

LEGEND :
 X1 — DETAIL MARK NO.
 X001 — REFER SHEET NO.
 1. F.F.L. — FINISHED FLOOR LEVEL
 2. S.F.L. — STRUCTURAL FLOOR LEVEL
 3. — REVERSED DETAIL
 4. GLASS LEGEND
 G1 — 8mmHS+12mm AIR GAP+10mmTP I.G.U.
 G2 — 8mmHS+12mm AIR GAP+8mmTP I.G.U.
 G2a — 8mmHS+12mm AIR GAP+8mmTP+1.52PVB +6mm FEATURED GLASS (I.G.U.)
 GB — 6mm GREY HS+1.52PVB+6mm CLEAR HS

NO.	DATE	REVISION SUBJECT TO ARCH.COMMENT	REVISOR	BY
A	28/3/2022			

JOB NO. : J-859
 PROJECT : PROPOSED RESIDENTIAL / COMMERCIAL DEVELOPMENT AT NKIL NO.6551 KAI TAK AREA 4C, SITE 3 KAI TAK, KOWLOON

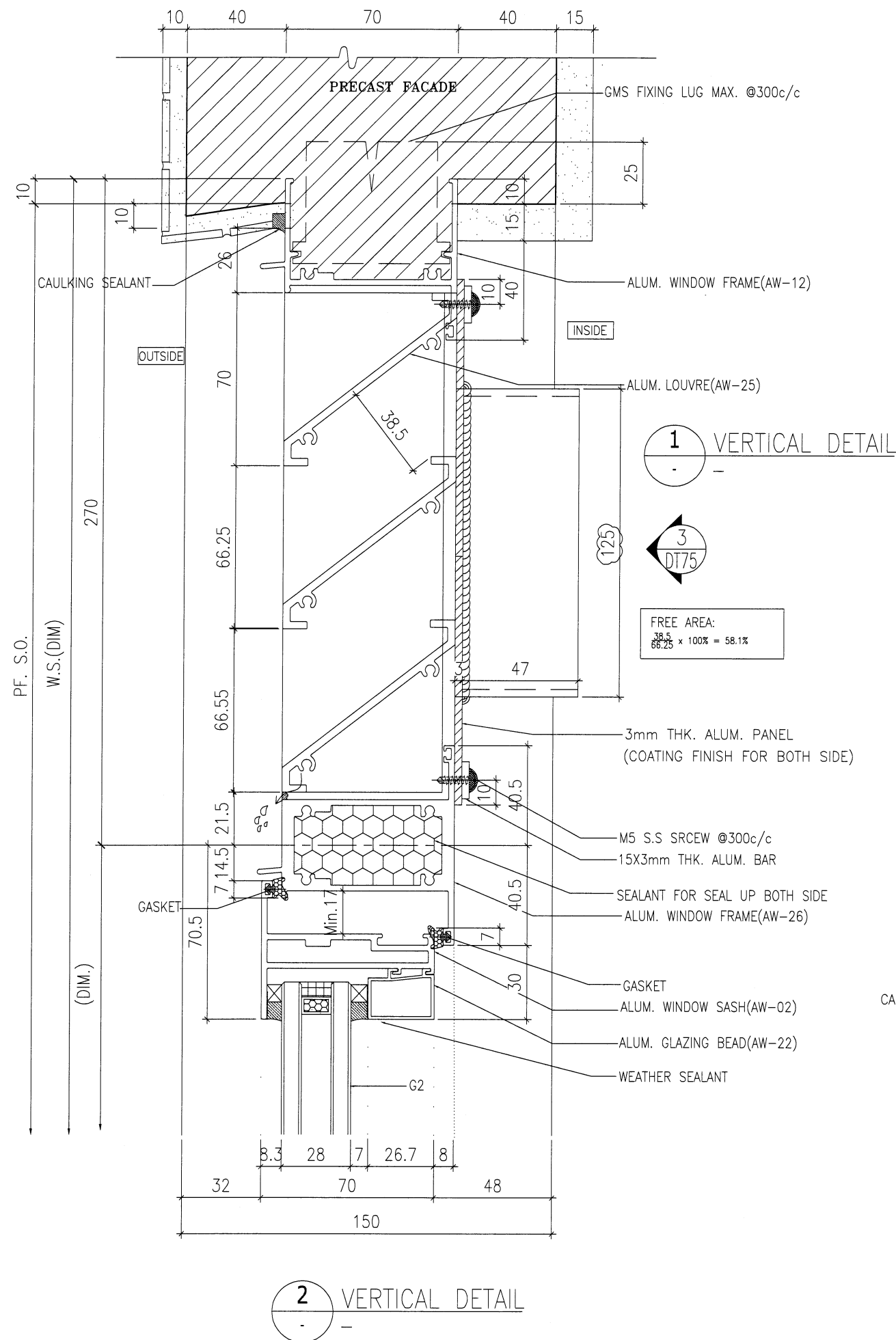
TITLE : TYPICAL DETAILS FOR ALUM. WINDOW

DATE : 10-Nov-21 SCALE : 1:2 (A3)

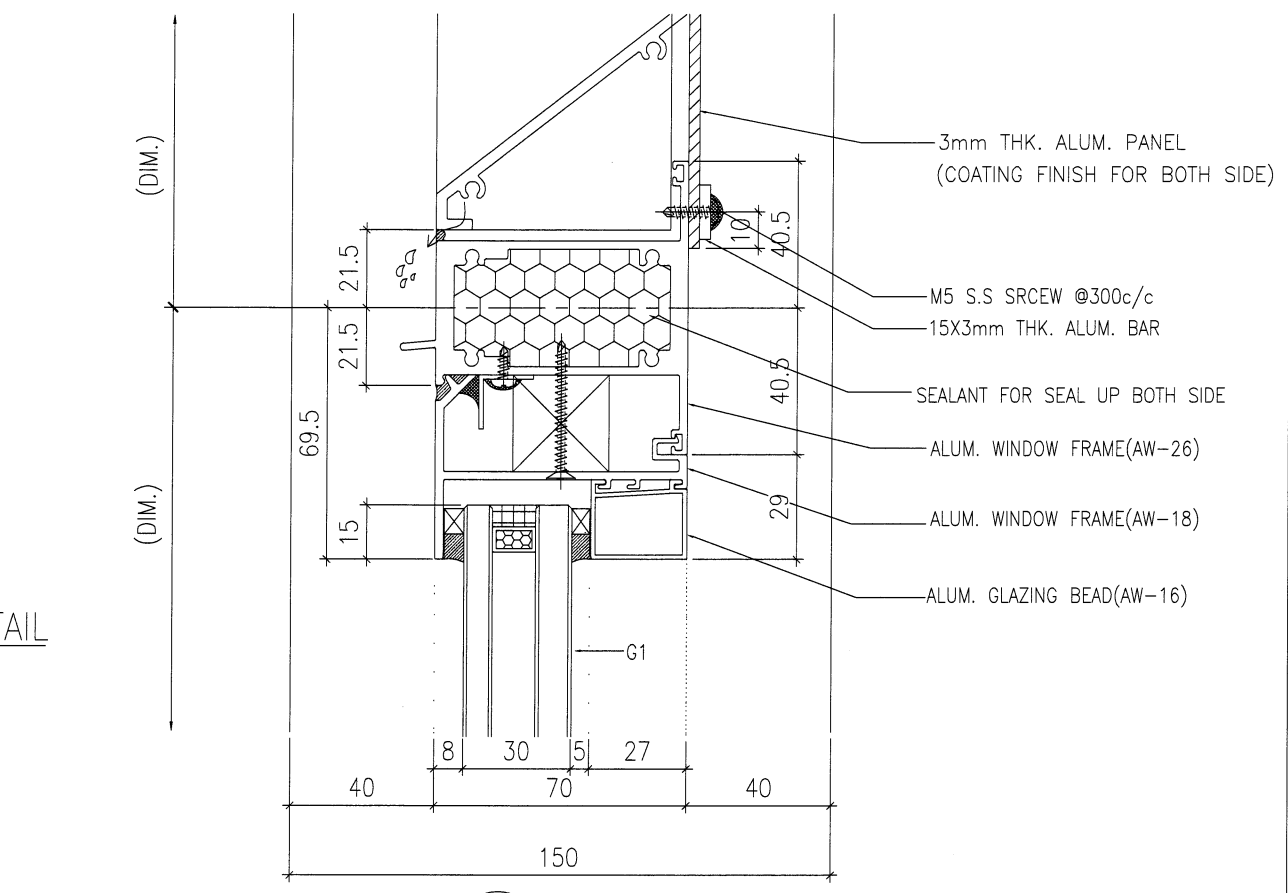
DRAWN BY : IVAN CHECKED BY :

英特鋁質有限公司
MIDI ALUMINIUM FABRICATOR LTD.
 Units 6-8, Sunray Industrial Centre, 1/F
 610 Cha Kwo Ling Road, Kowloon
 Tel:23489211-4 Fax:(852)27727666

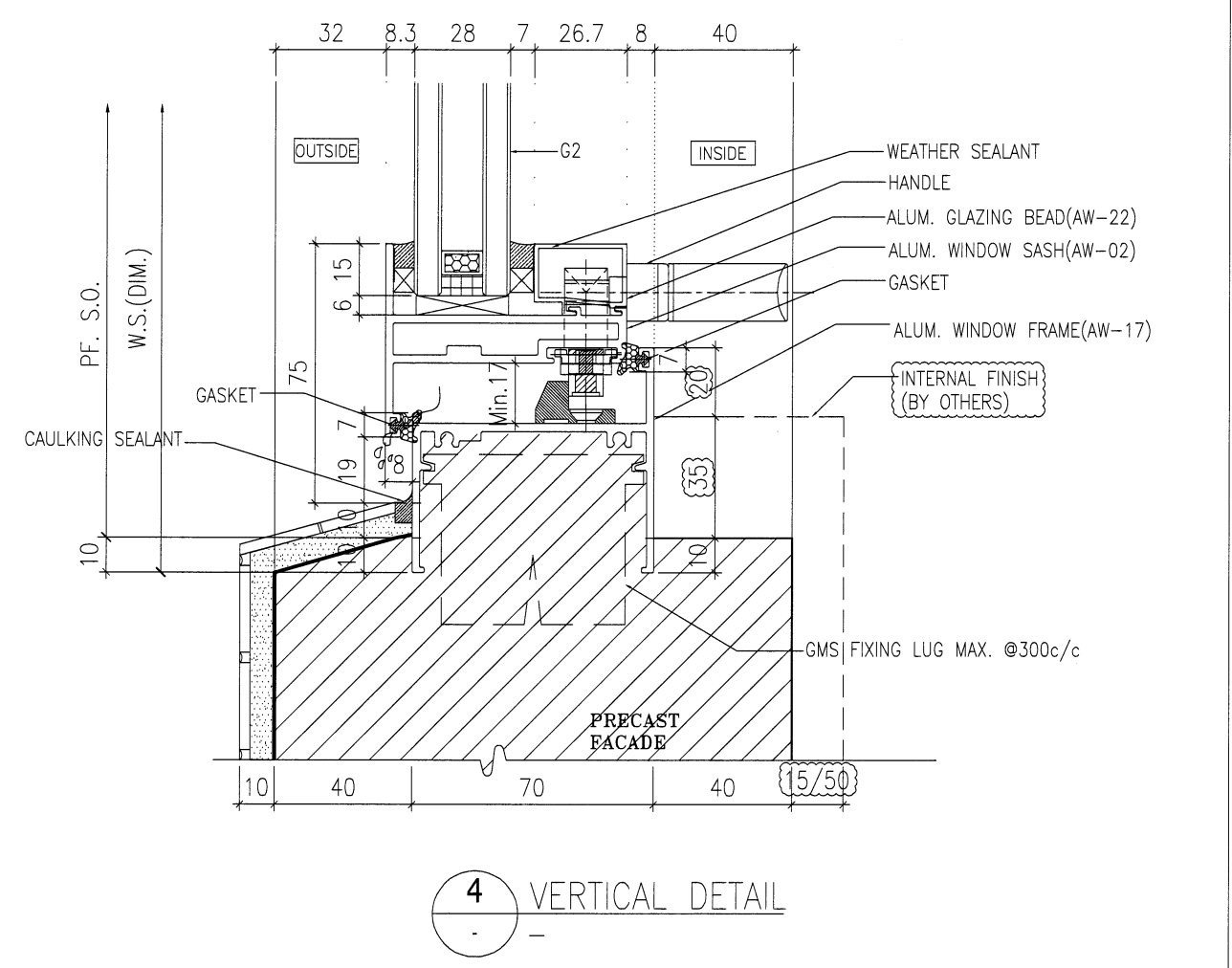
DWG NO. : J859-SD-PW-DT74 REV. : A



1 VERTICAL DETAIL



3 VERTICAL DETAIL



4 VERTICAL DETAIL

B.D. REF :
 ARCHITECT :
WT WONG TUNG & PARTNERS LIMITED ARCHITECTS & PLANNERS
 STRUCTURAL ENGINEER :
SUN HUNG KAI ARCHITECTS AND ENGINEERS LTD.
 SUN HUNG KAI CENTRE, WANCHAI, HONGKONG
 TEL. 28278111 FAX. 28272884
 FACADE CONSULTANT:
α ALPHA CONSULTING LIMITED
 Steel Structure & Facade Specialist
 MAIN CONTRACTOR :
Sanfield Engineering Construction Ltd.
 CLIENT :
SUN HUNG KAI REAL ESTATE AGENCY LTD.
 42/F SUN HUNG KAI CENTRE, WANCHAI, HONGKONG

NOTE :
 1. ALL DIMENSIONS ARE IN mm.
 2. ALL ELEVATIONS ARE VIEWED FROM OUTSIDE.
 3. ALL DIMENSIONS TO BE VERIFIED ON SITE BEFORE FABRICATION.

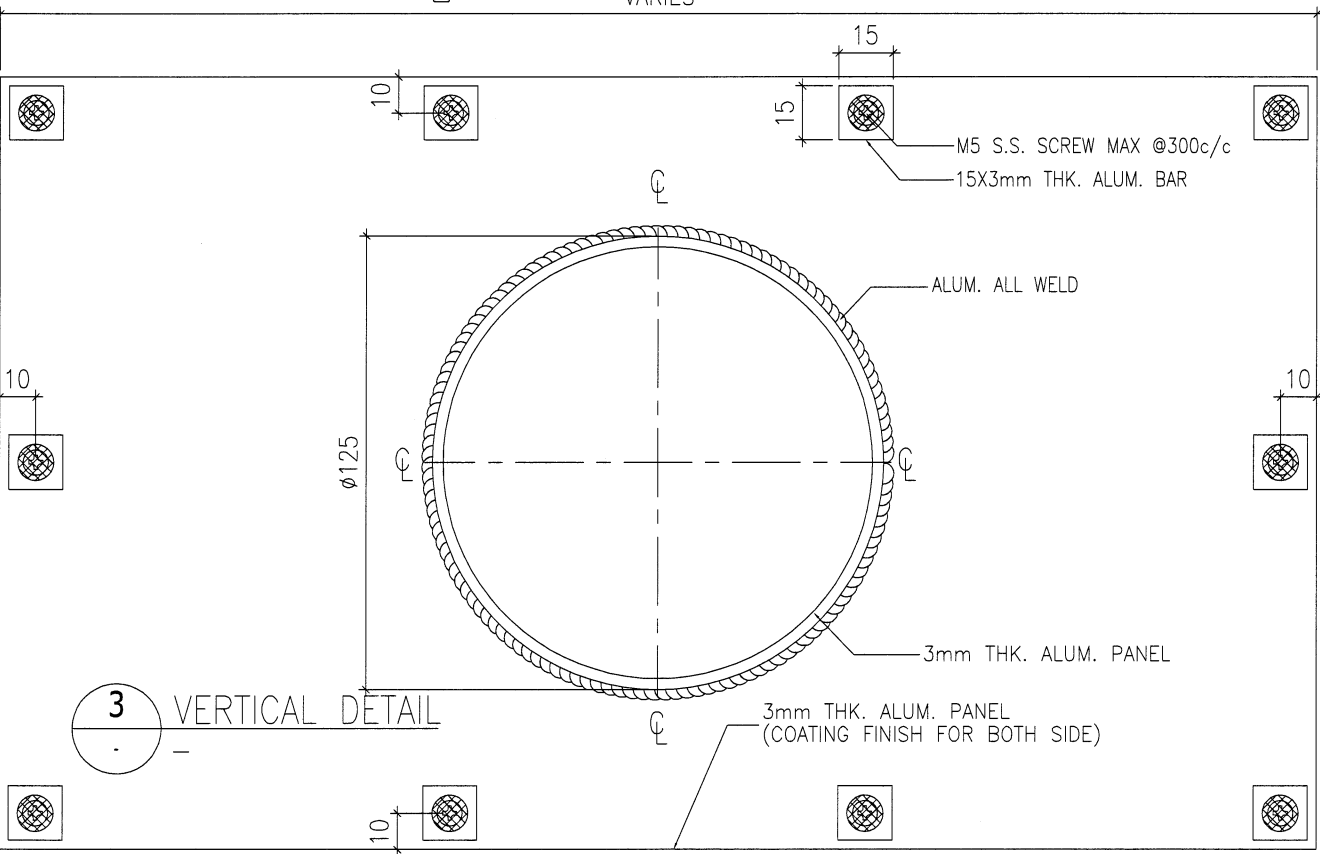
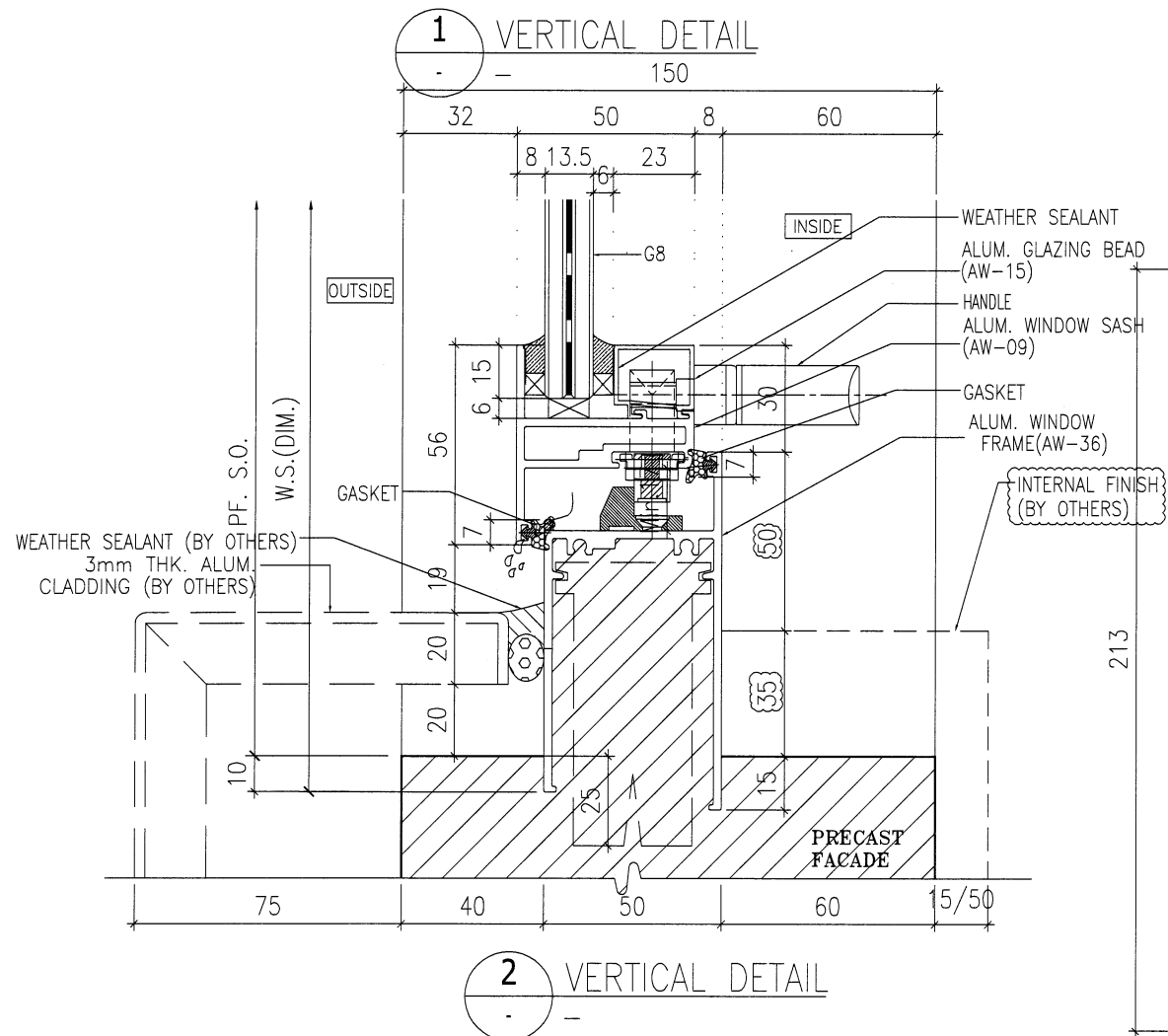
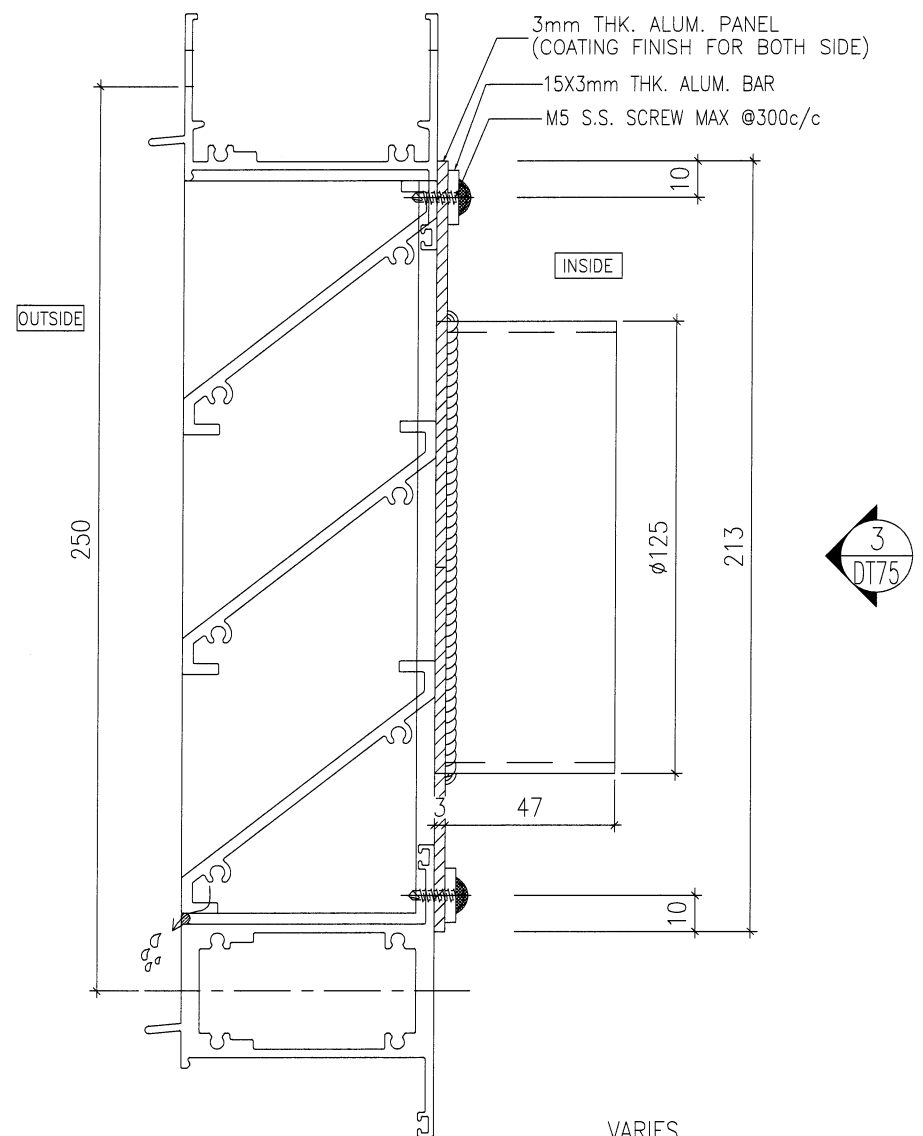
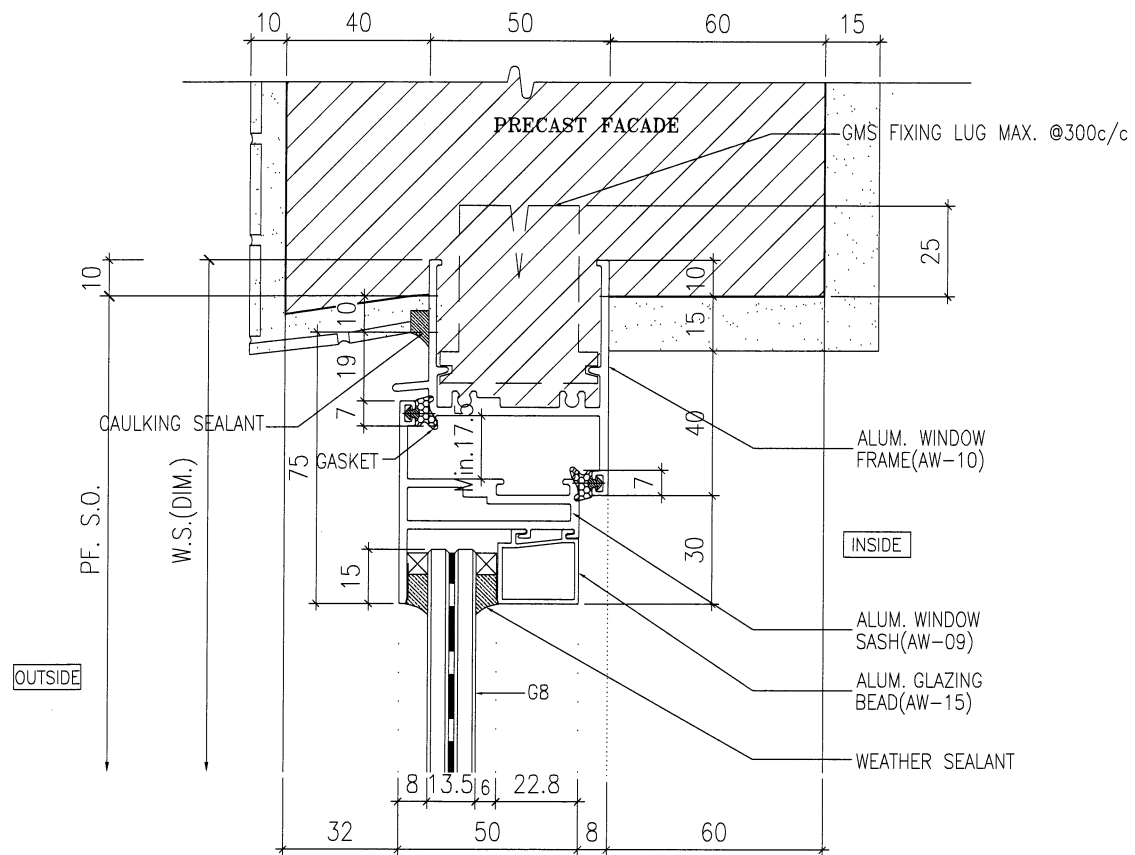
LEGEND :
 X1 — DETAIL MARK NO.
 X001 — REFER SHEET NO.
 1. F.F.L. — FINISHED FLOOR LEVEL
 2. S.F.L. — STRUCTURAL FLOOR LEVEL
 3. (R) — REVERSED DETAIL
 4. GLASS LEGEND
 G1 — 8mmHS+12mm AIR GAP+10mmTP I.G.U.
 G2 — 8mmHS+12mm AIR GAP+8mmTP I.G.U.
 G2a — 8mmHS+12mm AIR GAP+8mmTP+1.52PVB +6mm FEATURED GLASS (I.G.U.)
 G8 — 6mm GREY HS+1.52PVB+6mm CLEAR HS

NO.	DATE	REVISION SUBJECT TO ARCH.COMMENT	BY
A	28/3/2022	REVISION SUBJECT TO ARCH.COMMENT	IVAN

JOB NO. : J-859
 PROJECT : PROPOSED RESIDENTIAL / COMMERCIAL DEVELOPMENT AT NKIL NO.6551 KAI TAK AREA 4C, SITE 3 KAI TAK, KOWLOON
 TITLE : TYPICAL DETAILS FOR ALUM. WINDOW

DATE : 10-Nov-21 SCALE : 1:2 (A3)
 DRAWN BY : IVAN CHECKED BY :

英特鋁質有限公司
MIDI ALUMINIUM FABRICATOR LTD.
 Units 6-8, Sunray Industrial Centre, 1/F
 610 Cha Kwo Ling Road, Kowloon
 Tel:23489211-4 Fax:(852)27727666
 DWG NO. : J859-SD-PW-DT73 REV. : A



B.D. REF :

ARCHITECT :
WT WONG TUNG & PARTNERS LIMITED
ARCHITECTS & PLANNERS

STRUCTURAL ENGINEER :
SUN HUNG KAI
ARCHITECTS AND ENGINEERS LTD.
SUN HUNG KAI CENTRE, WANCHAI, HONGKONG
TEL. 28278111 FAX. 28272884

FACADE CONSULTANT:
α ALPHA CONSULTING LIMITED
Steel Structure & Facade Specialist

MAIN CONTRACTOR :
Sanfield Engineering
Construction Ltd.

CLIENT :
SUN HUNG KAI
REAL ESTATE AGENCY LTD.
42/F SUN HUNG KAI CENTRE, WANCHAI, HONGKONG

NOTE :
1. ALL DIMENSIONS ARE IN mm.
2. ALL ELEVATIONS ARE VIEWED FROM OUTSIDE.
3. ALL DIMENSIONS TO BE VERIFIED ON SITE BEFORE FABRICATION.

LEGEND :
X1 — DETAIL MARK NO.
X001 — REFER SHEET NO.
1. F.F.L. — FINISHED FLOOR LEVEL
2. S.F.L. — STRUCTURAL FLOOR LEVEL
3. (R) — REVERSED DETAIL
4. GLASS LEGEND
G1-8mmHS+12mm AIR GAP+10mmTP I.G.U.
G2-8mmHS+12mm AIR GAP+8mmTP I.G.U.
G2a-8mmHS+12mm AIR GAP+8mmTP+1.52PVB +6mm FEATURED GLASS (I.G.U.)
G8-6mm GREY HS+1.52PVB+6mm CLEAR HS

NO.	DATE	REVISION SUBJECT TO ARCH.COMMENT	BY
A	28/3/2022	REVISION SUBJECT TO ARCH.COMMENT	IVAN

JOB NO. : J-859

PROJECT :
PROPOSED RESIDENTIAL / COMMERCIAL
DEVELOPMENT AT NKIL NO.6551 KAI
TAK AREA 4C, SITE 3
KAI TAK, KOWLOON

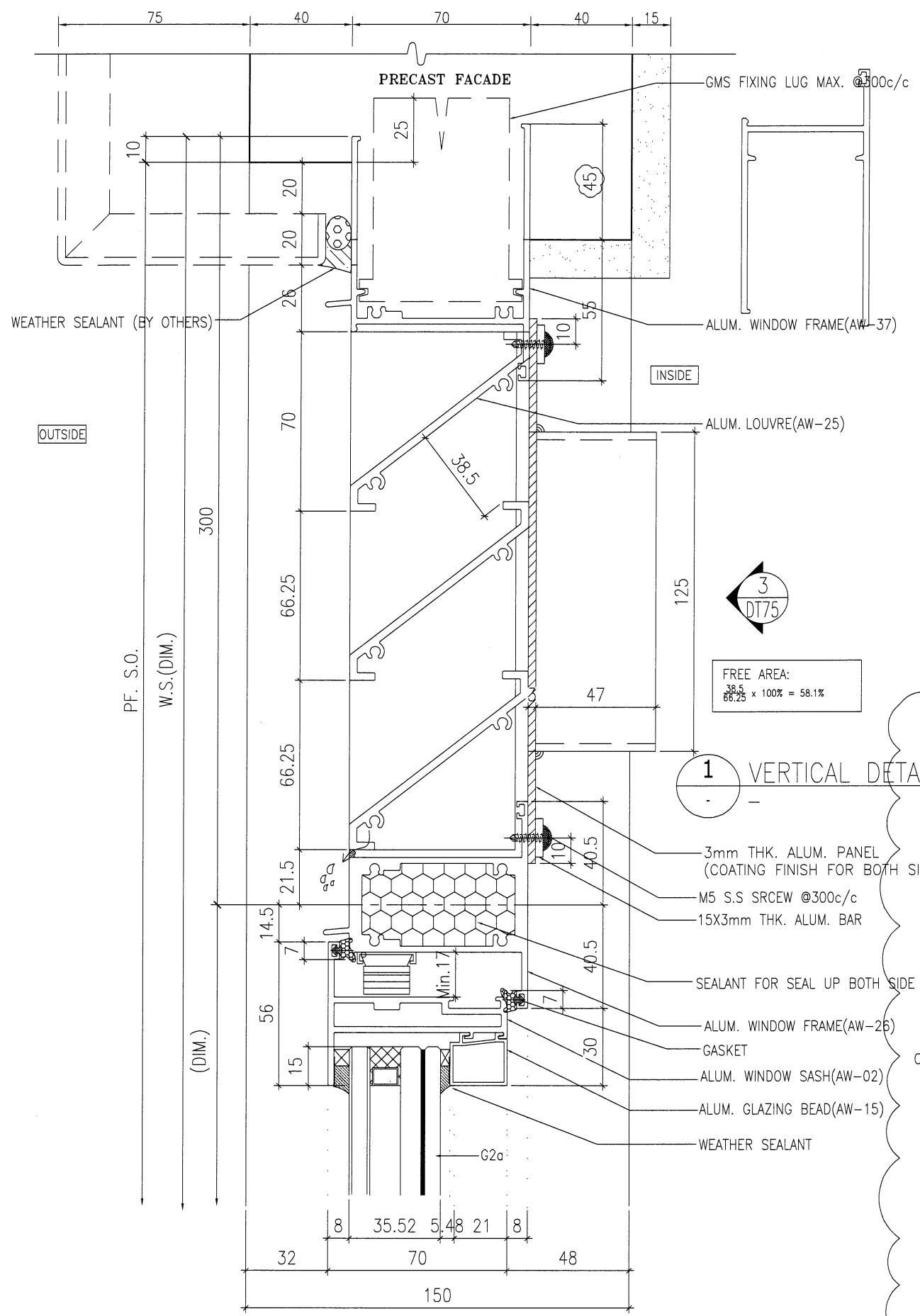
TITLE :
TYPICAL DETAILS FOR
ALUM. WINDOW

DATE : 10-Nov-21 SCALE : 1:2 (A3)

DRAWN BY : IVAN CHECKED BY :

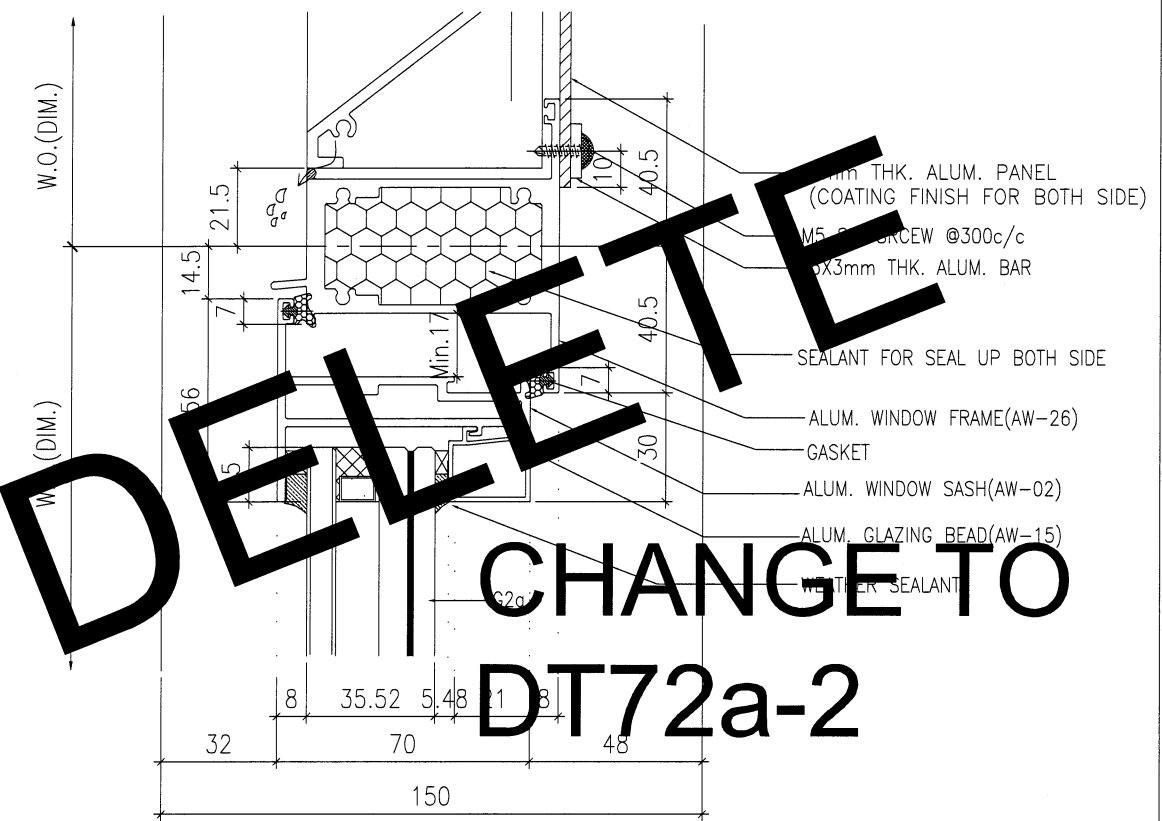
美特鋁質有限公司
MIDI ALUMINIUM FABRICATOR LTD.
Units 6-8, Sunray Industrial Centre, 1/F
610 Cha Kwo Ling Road, Kowloon
Tel:23489211-4 Fax:(852)27727666

DWG NO. : J859-SD-PW-DT75 REV. : A

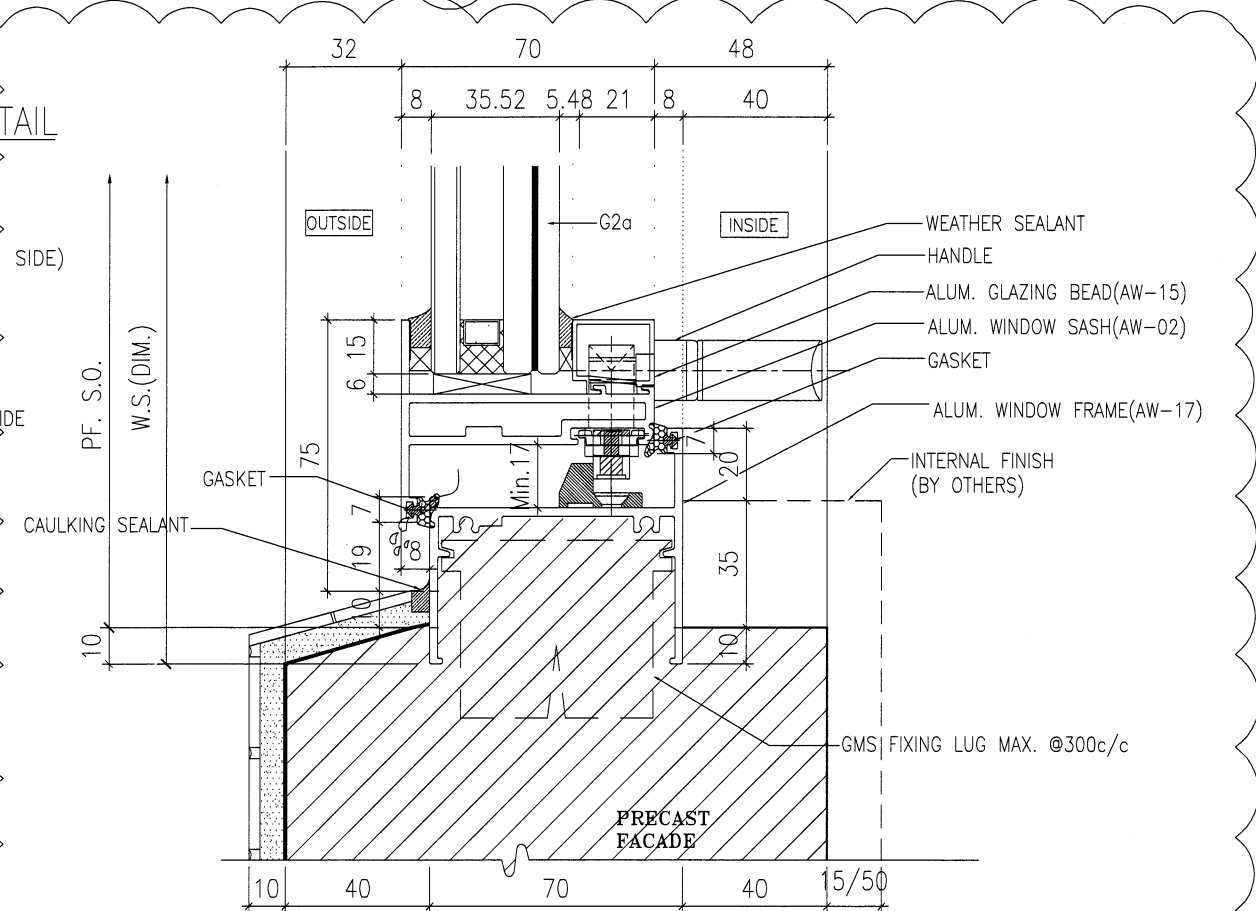


FREE AREA:
 $\frac{38.5}{66.25} \times 100\% = 58.1\%$

1 VERTICAL DETAIL



3 VERTICAL DETAIL



4 VERTICAL DETAIL

2 VERTICAL DETAIL

DELETE

CHANGE TO DT72a-2

B.D. REF :

ARCHITECT :
WT WONG TUNG & PARTNERS LIMITED
 ARCHITECTS & PLANNERS

STRUCTURAL ENGINEER :
SUN HUNG KAI
 ARCHITECTS AND ENGINEERS LTD.
 SUN HUNG KAI CENTRE, WANCHAI, HONGKONG
 TEL. 28278111 FAX. 28272884

FACADE CONSULTANT:
α ALPHA CONSULTING LIMITED
 Steel Structure & Facade Specialist

MAIN CONTRACTOR :
Sanfield Engineering
 Construction Ltd.

CLIENT :
SUN HUNG KAI
 REAL ESTATE AGENCY LTD.
 42/F SUN HUNG KAI CENTRE, WANCHAI, HONGKONG

NOTE :
 1. ALL DIMENSIONS ARE IN mm.
 2. ALL ELEVATIONS ARE VIEWED FROM OUTSIDE.
 3. ALL DIMENSIONS TO BE VERIFIED ON SITE BEFORE FABRICATION.

LEGEND :
 (X1) — DETAIL MARK NO.
 (X001) — REFER SHEET NO.
 1. F.F.L. — FINISHED FLOOR LEVEL
 2. S.F.L. — STRUCTURAL FLOOR LEVEL
 3. (R) — REVERSED DETAIL
 4. GLASS LEGEND
 G1—8mmHS+12mm AIR GAP+10mmTP I.G.U.
 G2—8mmHS+12mm AIR GAP+8mmTP I.G.U.
 G2a—8mmHS+12mm AIR GAP+8mmTP+1.52PVB
 +6mm FEATURED GLASS (I.G.U.)
 G8—6mm GREY HS+1.52PVB+6mm CLEAR HS

A	28/03/2022	REVISION SUBJECT TO ARCH.COMMENT	WAN
NO.	DATE	REVISOR	BY

JOB NO. : J-859

PROJECT :
 PROPOSED RESIDENTIAL / COMMERCIAL
 DEVELOPMENT AT NKIL NO.6551 KAI
 TAK AREA 4C, SITE 3
 KAI TAK, KOWLOON

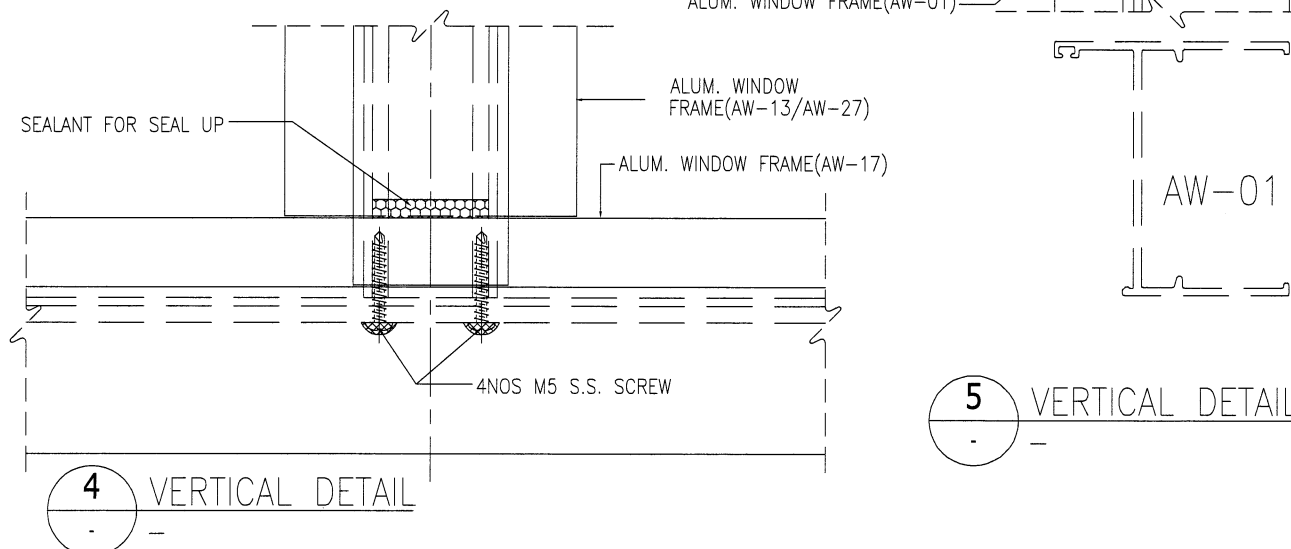
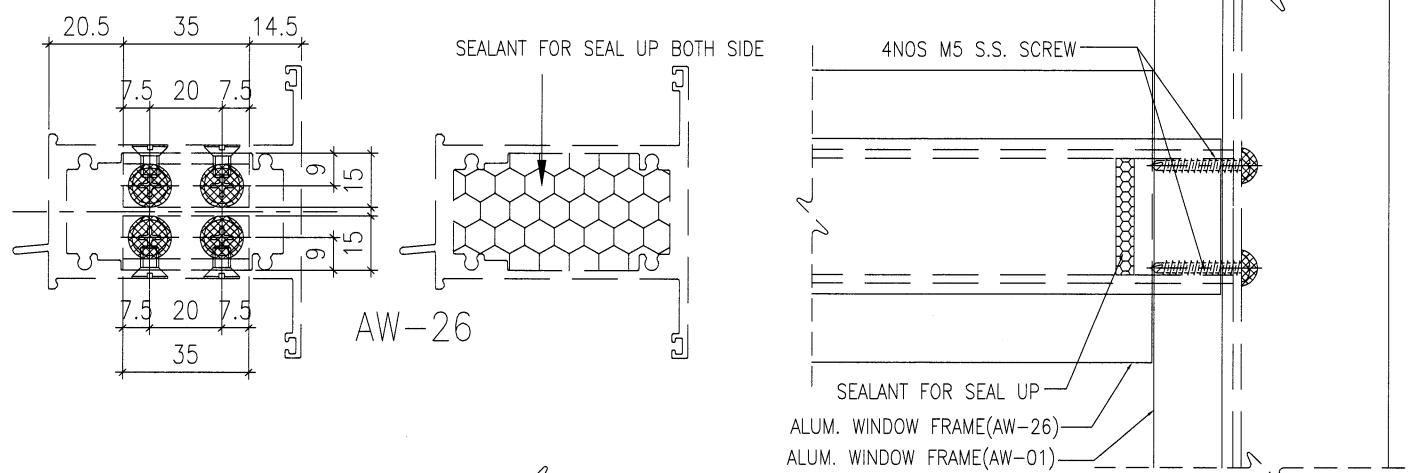
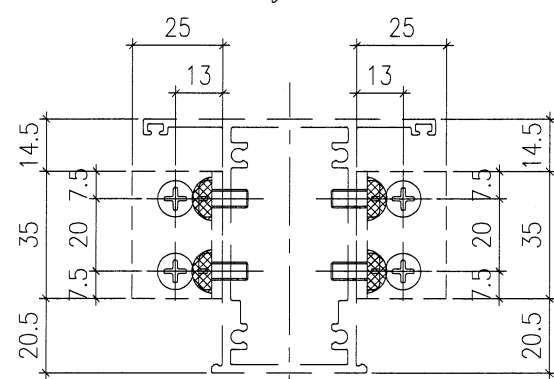
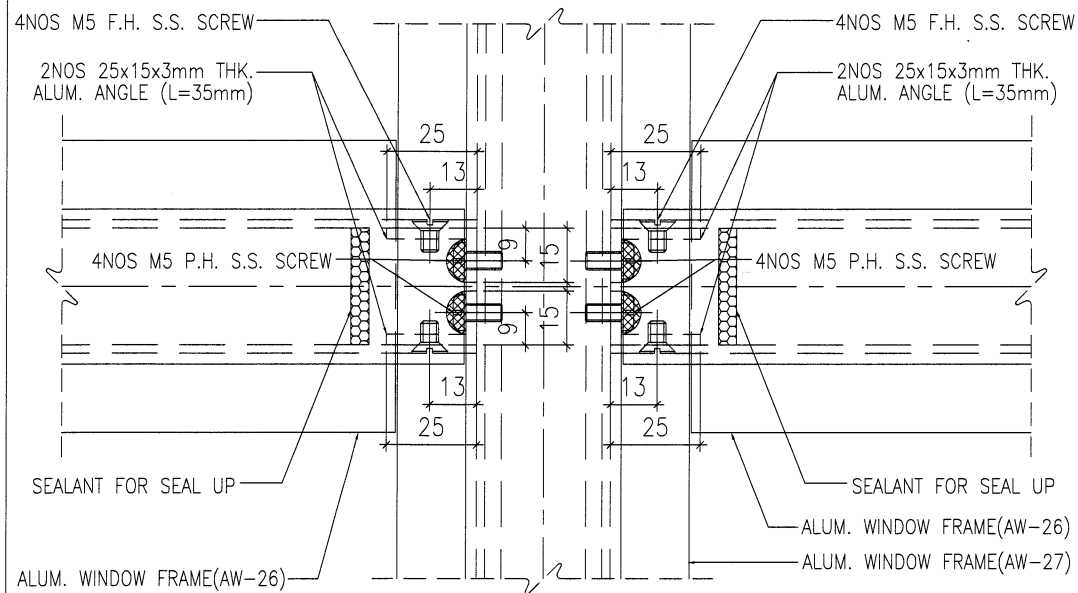
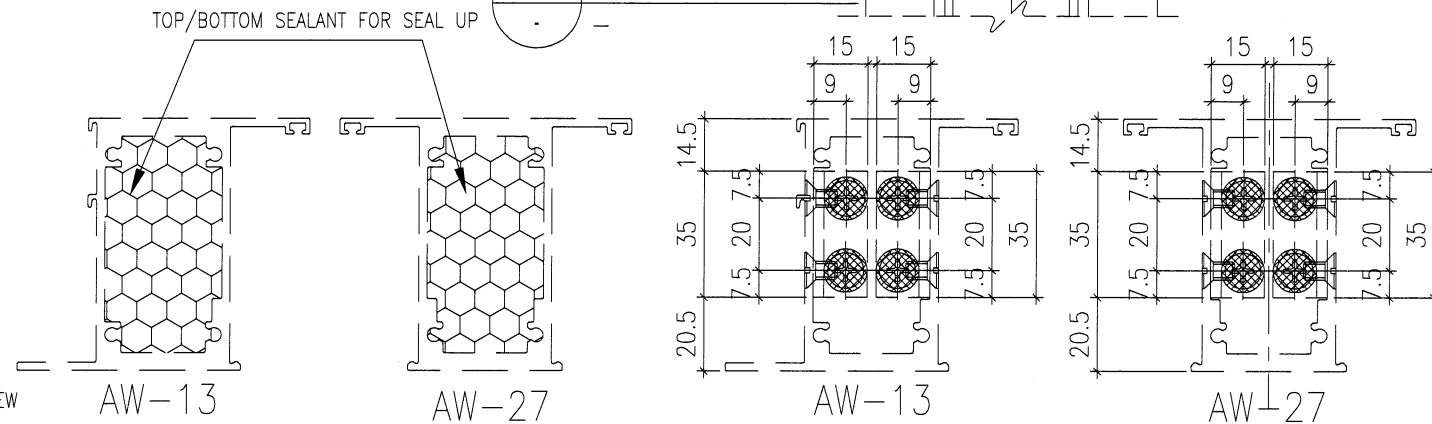
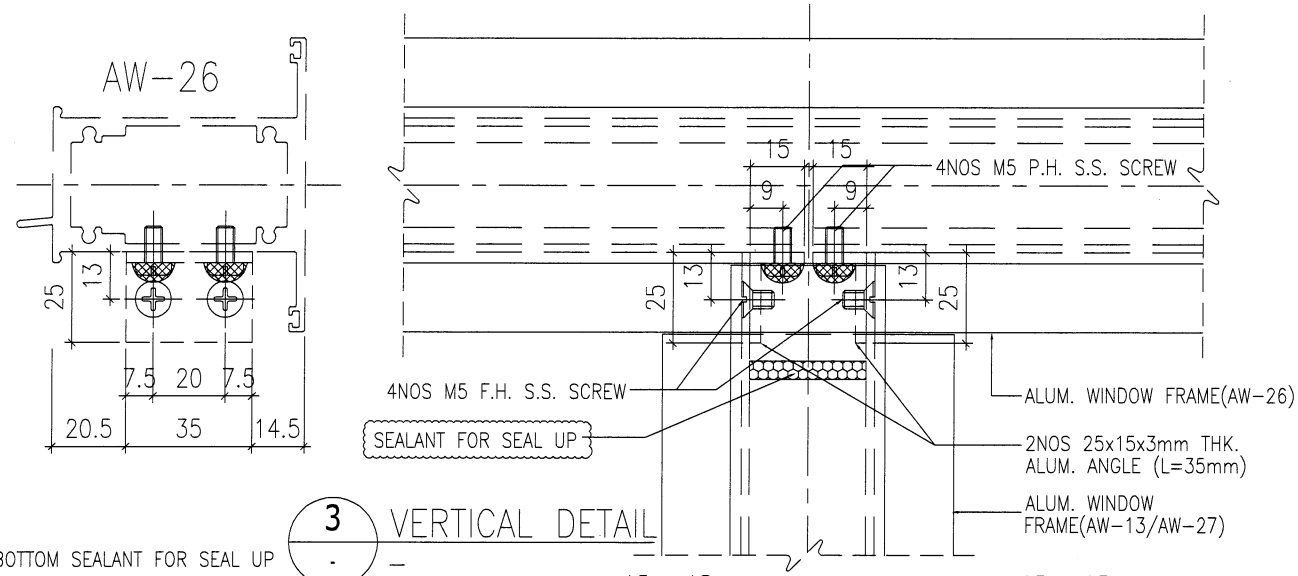
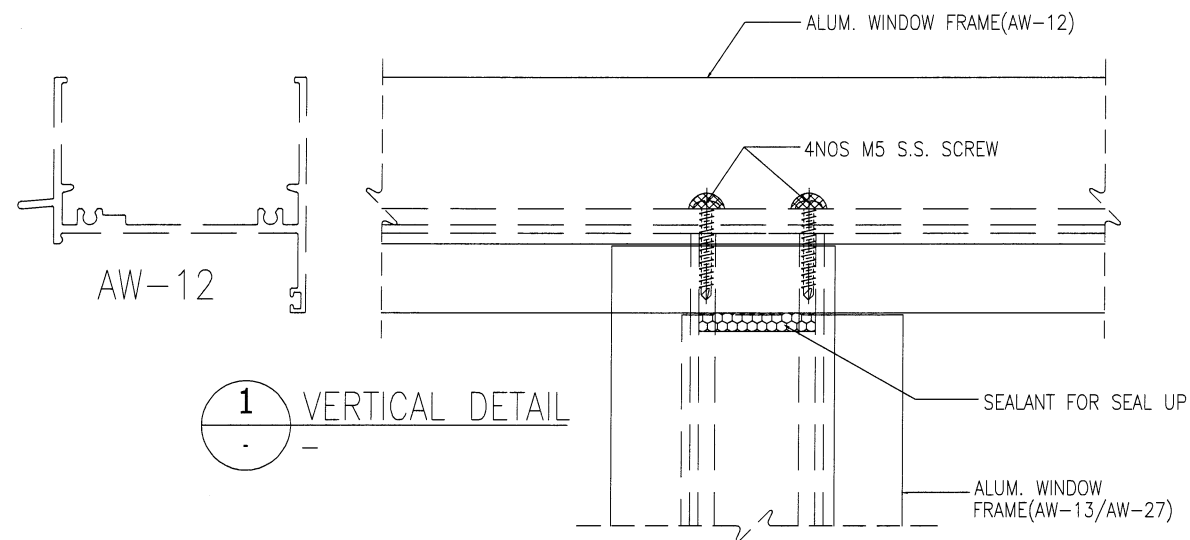
TITLE :
 TYPICAL DETAILS FOR
 ALUM. WINDOW

DATE : 10-Nov-21 SCALE : 1:2 (A3)

DRAWN BY : IVAN CHECKED BY :

MIDI ALUMINIUM FABRICATOR LTD.
 Units 6-8, Sunray Industrial Centre, 1/F
 610 Cha Kwo Ling Road, Kowloon
 Tel:23489211-4 Fax:(852)27727666

DWG NO. : J859-SD-PW-DT76 REV. : A



B.D. REF :

ARCHITECT :
WT WONG TUNG & PARTNERS LIMITED
 ARCHITECTS & PLANNERS

STRUCTURAL ENGINEER :
SUN HUNG KAI
 ARCHITECTS AND ENGINEERS LTD.
 SUN HUNG KAI CENTRE, WANCHAI, HONGKONG
 TEL. 28278111 FAX. 28272884

FAÇADE CONSULTANT:
α ALPHA CONSULTING LIMITED
 Steel Structure & Façade Specialist

MAIN CONTRACTOR :
Sanfield Engineering
 Construction Ltd.

CLIENT :
SUN HUNG KAI
 REAL ESTATE AGENCY LTD.
 42/F SUN HUNG KAI CENTRE, WANCHAI, HONGKONG

NOTE :
 1. ALL DIMENSIONS ARE IN mm.
 2. ALL ELEVATIONS ARE VIEWED FROM OUTSIDE.
 3. ALL DIMENSIONS TO BE VERIFIED ON SITE BEFORE FABRICATION.

LEGEND :
 (X1) --- DETAIL MARK NO.
 (X001) --- REFER SHEET NO.
 1. F.F.L. --- FINISHED FLOOR LEVEL
 2. S.F.L. --- STRUCTURAL FLOOR LEVEL
 3. (R) --- REVERSED DETAIL
 4. GLASS LEGEND
 G1-8mmHS+12mm AIR GAP+10mmTP I.G.U.
 G2-8mmHS+12mm AIR GAP+8mmTP I.G.U.
 G2a-8mmHS+12mm AIR GAP+8mmTP+1.52PVB +6mm FEATURED GLASS (I.G.U.)
 G8-6mm GREY HS+1.52PVB+6mm CLEAR HS

NO.	DATE	REVISED	BY

JOB NO. : J-859
 PROJECT : PROPOSED RESIDENTIAL / COMMERCIAL DEVELOPMENT AT NKIL NO.6551 KAI TAK AREA 4C, SITE 3 KAI TAK, KOWLOON

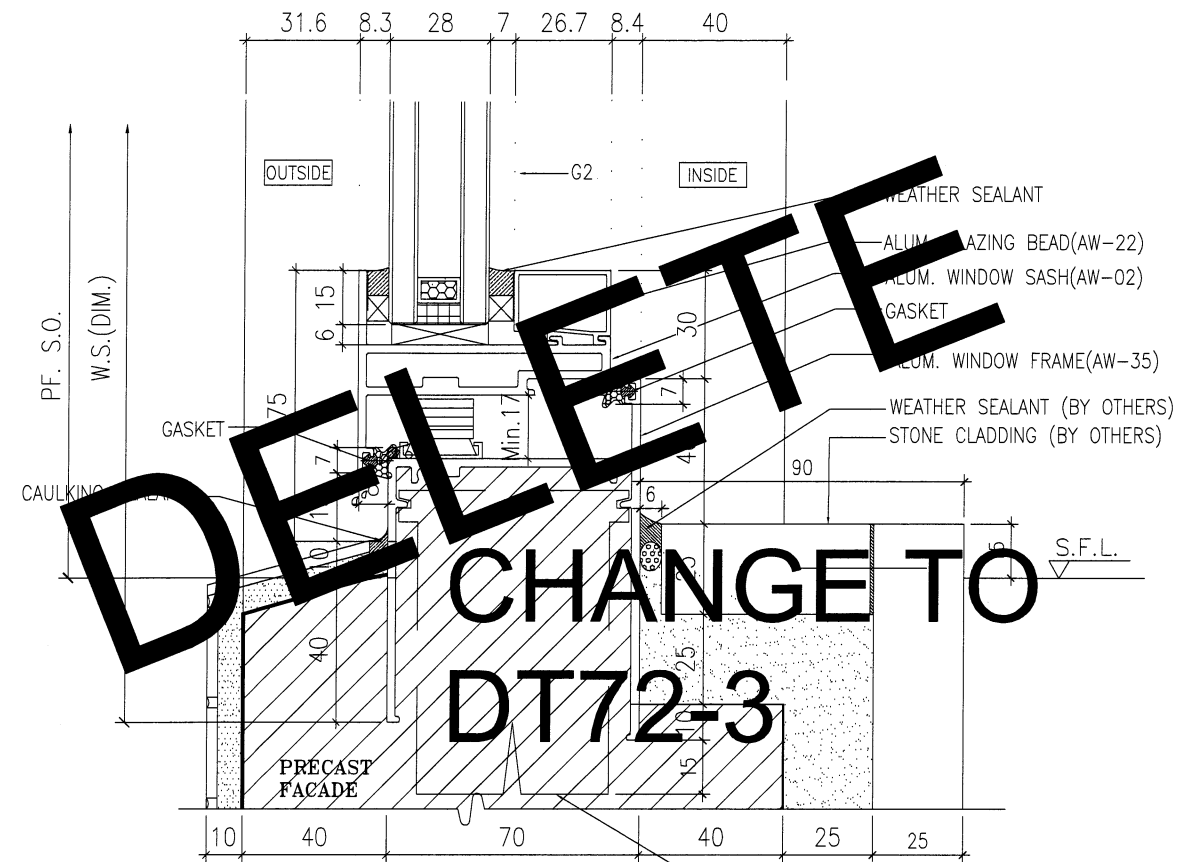
TITLE : TYPICAL DETAILS FOR ALUM. WINDOW

DATE : 10-Nov-21 SCALE : 1:2 (A3)

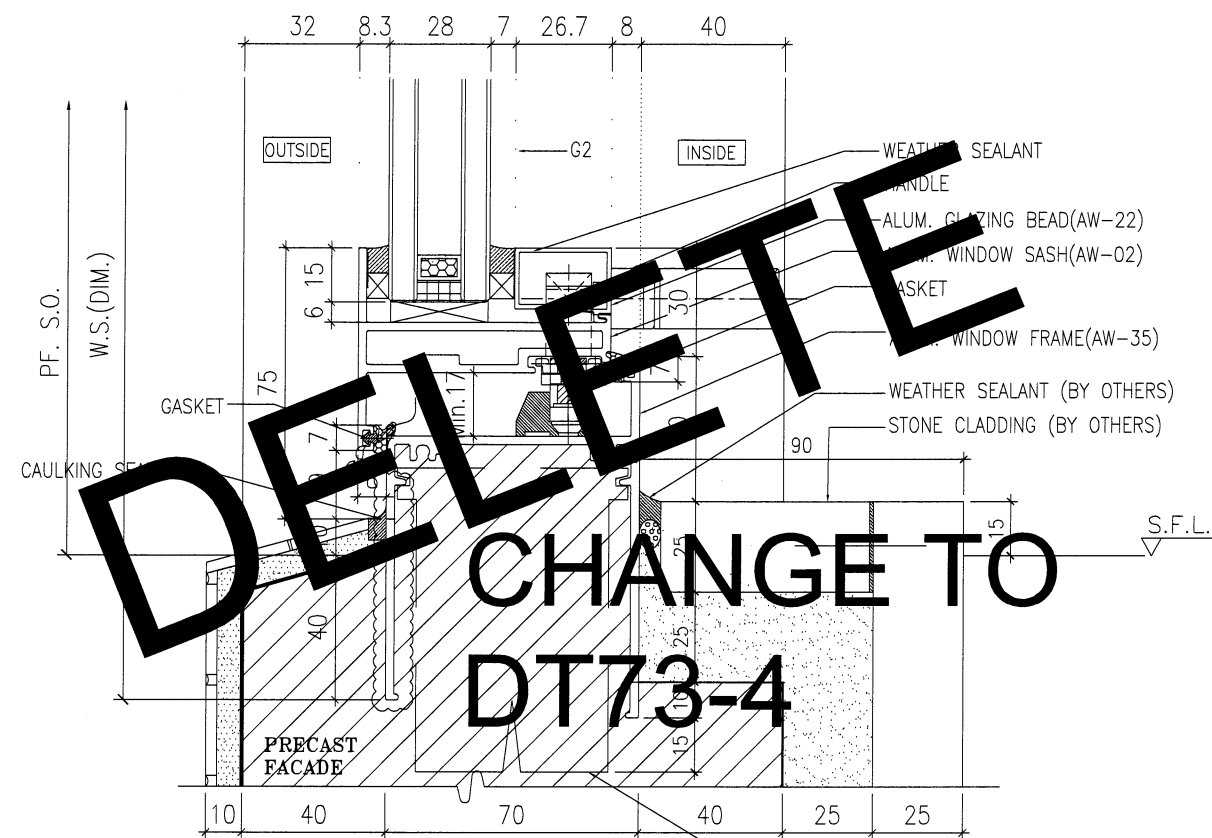
DRAWN BY : IVAN CHECKED BY :

英特鋁質有限公司
MIDI ALUMINIUM FABRICATOR LTD.
 Units 6-8, Sunray Industrial Centre, 1/F
 610 Cha Kwo Ling Road, Kowloon
 Tel:23489211-4 Fax:(852)27727666

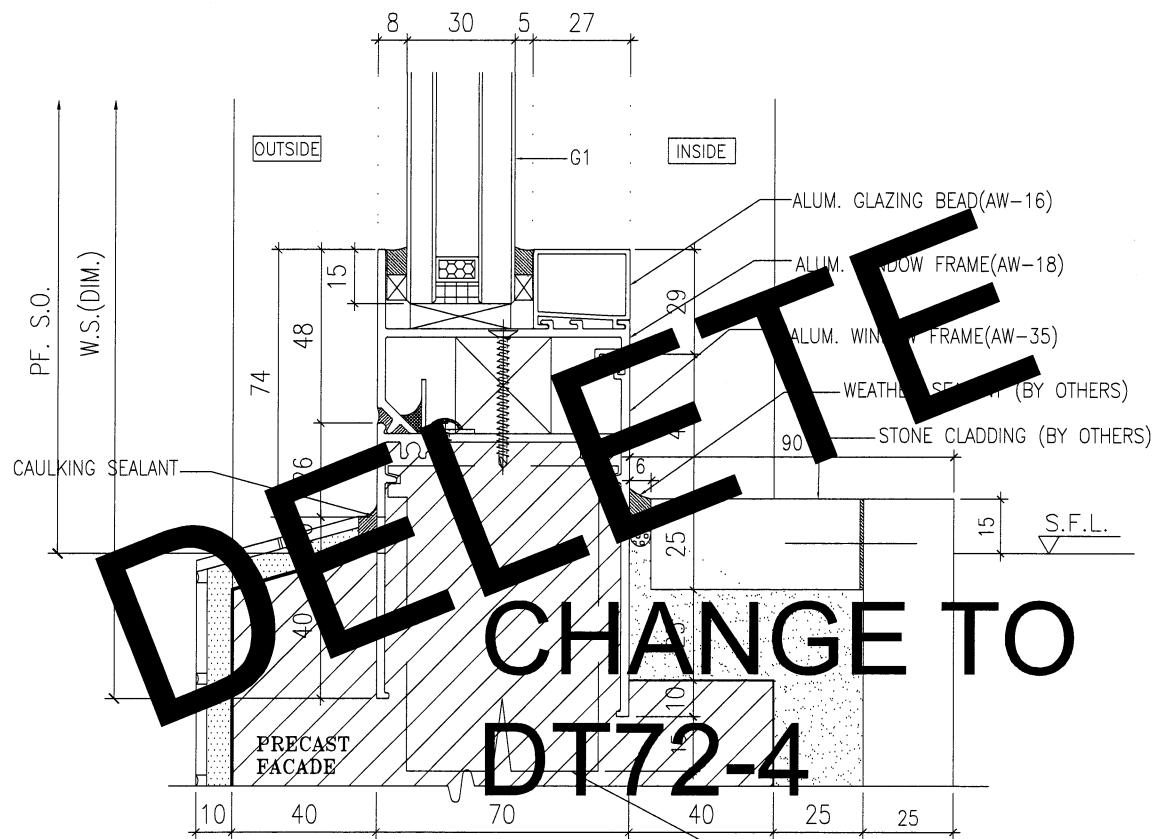
DWG NO. : J859-SD-PW-DT77 REV. : -



1 VERTICAL DETAIL



2 VERTICAL DETAIL



3 VERTICAL DETAIL

B.D. REF :

ARCHITECT :
WT WONG TUNG & PARTNERS LIMITED
 ARCHITECTS & PLANNERS

STRUCTURAL ENGINEER :
SUN HUNG KAI
 ARCHITECTS AND ENGINEERS LTD.
 SUN HUNG KAI CENTRE, WANCHAI, HONGKONG
 TEL. 28278111 FAX. 28272884

FAÇADE CONSULTANT:
α ALPHA CONSULTING LIMITED
 Steel Structure & Façade Specialist

MAIN CONTRACTOR :
Sanfield Engineering
 Construction Ltd.

CLIENT :
SUN HUNG KAI
 REAL ESTATE AGENCY LTD.
 42/F SUN HUNG KAI CENTRE, WANCHAI, HONGKONG

NOTE :
 1. ALL DIMENSIONS ARE IN mm.
 2. ALL ELEVATIONS ARE VIEWED FROM OUTSIDE.
 3. ALL DIMENSIONS TO BE VERIFIED ON SITE BEFORE FABRICATION.

LEGEND :
 (X1) -- DETAIL MARK NO.
 (X001) -- REFER SHEET NO.
 1. F.F.L. -- FINISHED FLOOR LEVEL
 2. S.F.L. -- STRUCTURAL FLOOR LEVEL
 3. (R) -- REVERSED DETAIL
 4. GLASS LEGEND
 G1-8mmHS+12mm AIR GAP+10mmTP I.G.U.
 G2-8mmHS+12mm AIR GAP+8mmTP I.G.U.
 G2a-8mmHS+12mm AIR GAP+8mmTP+1.52PVB +6mm FEATURED GLASS (I.G.U.)
 G8-6mm GREY HS+1.52PVB+6mm CLEAR HS

NO.	DATE	REVISION SUBJECT TO ARCH.COMMENT	BY
A	28/03/2022	REVISION SUBJECT TO ARCH.COMMENT	IVAN

JOB NO. : J-859
 PROJECT : PROPOSED RESIDENTIAL / COMMERCIAL DEVELOPMENT AT NKIL NO.6551 KAI TAK AREA 4C, SITE 3 KAI TAK, KOWLOON

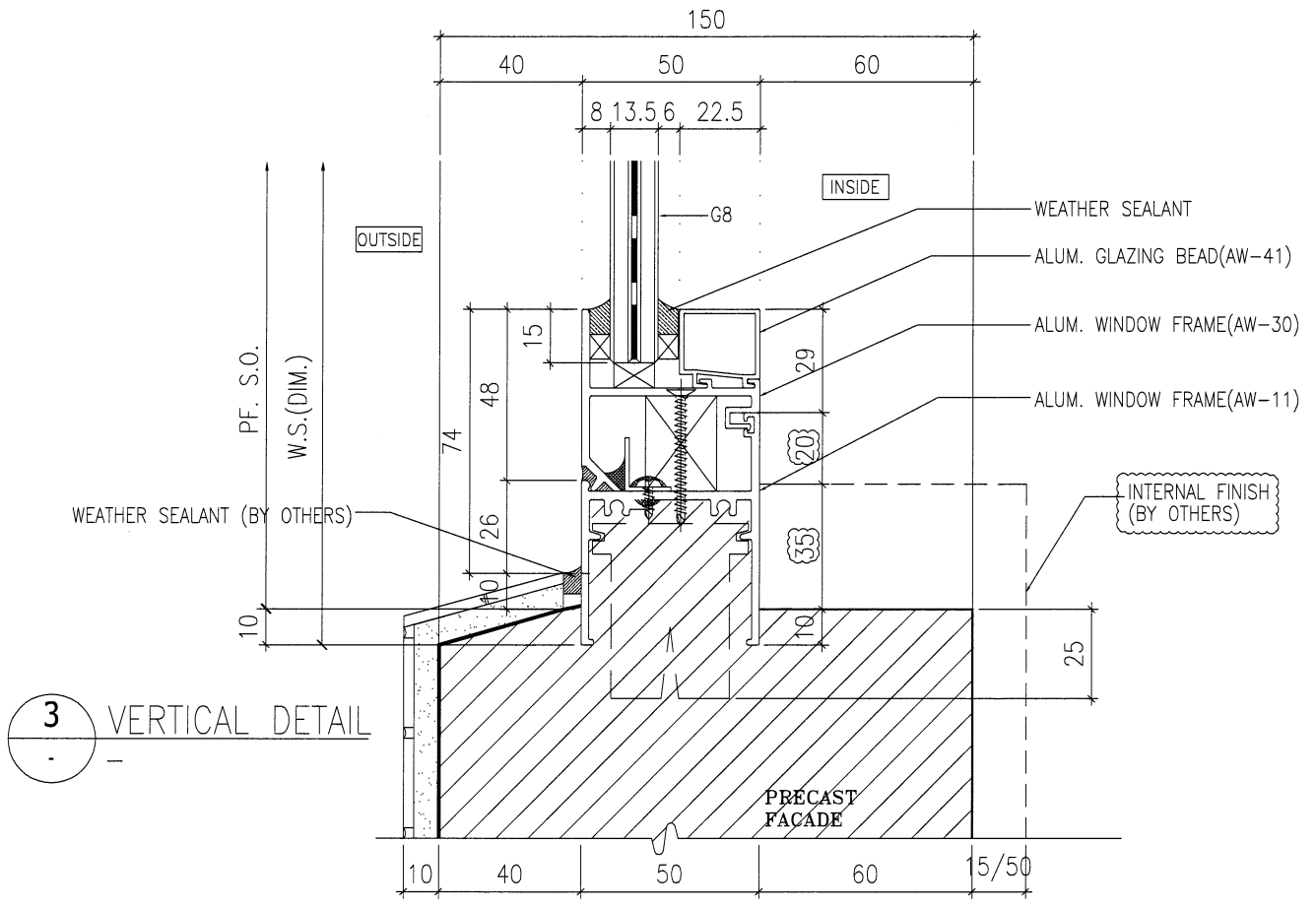
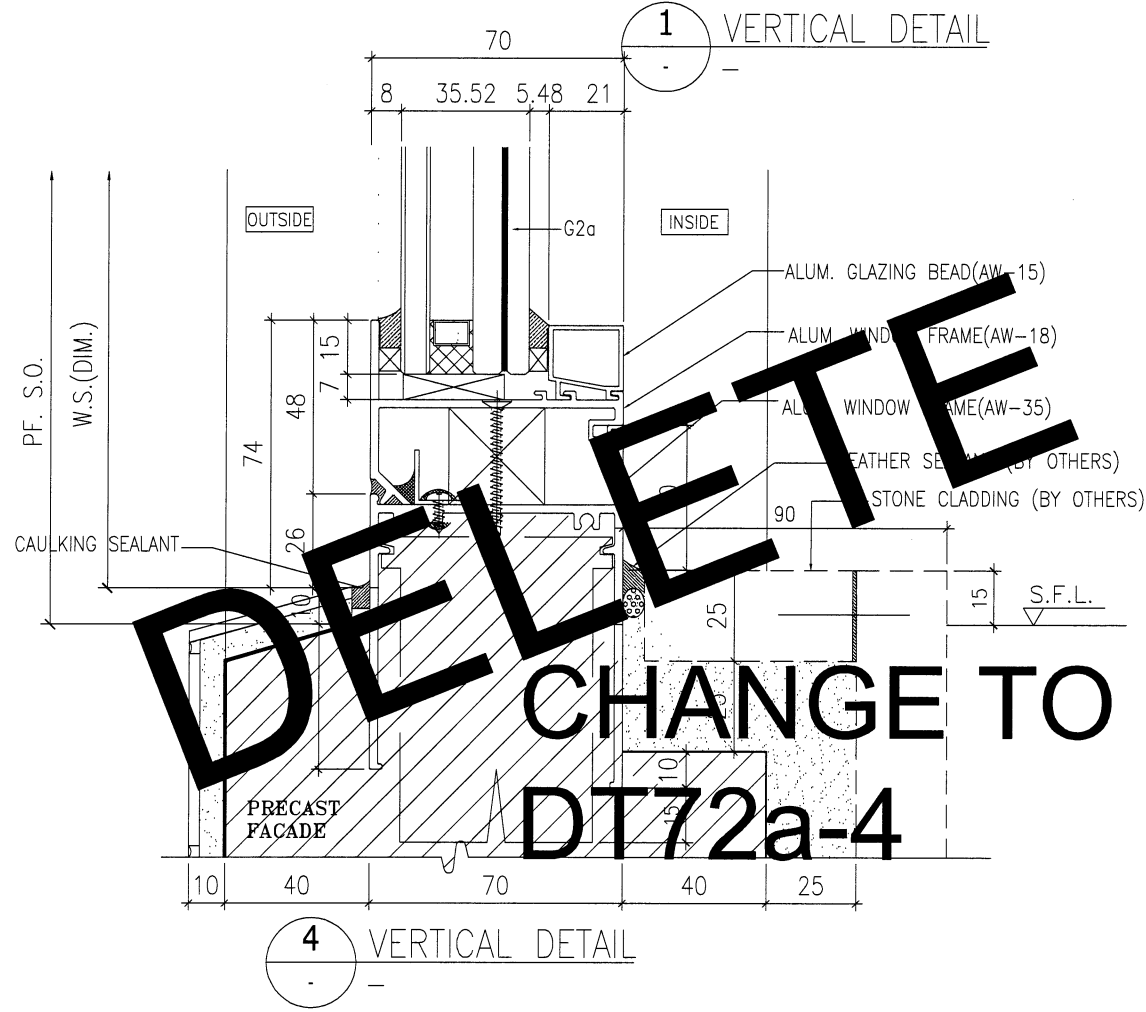
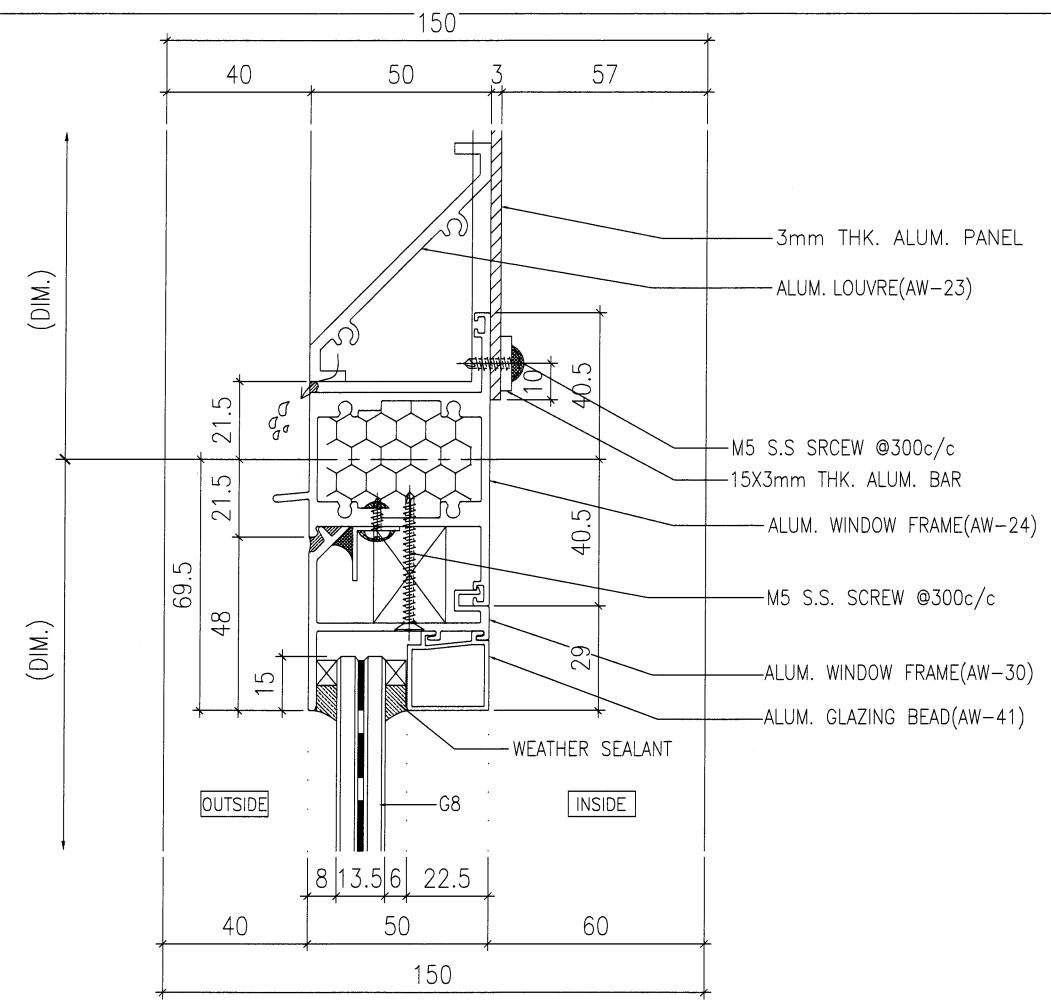
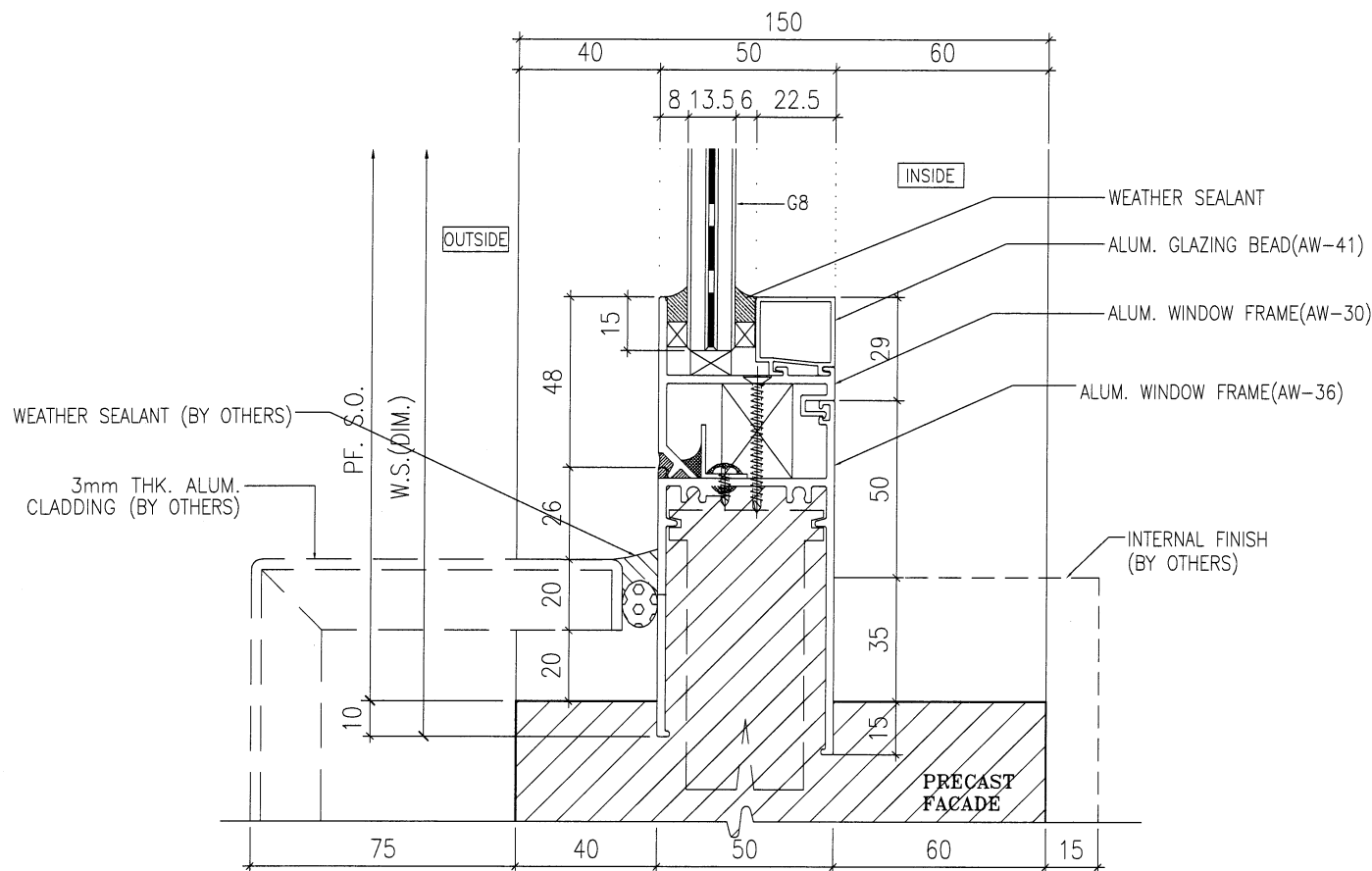
TITLE : TYPICAL DETAILS FOR ALUM. WINDOW

DATE : 10-Nov-21 SCALE : 1:2 (A3)

DRAWN BY : IVAN CHECKED BY :

美特鋁質有限公司
MIDI ALUMINIUM FABRICATOR LTD.
 Units 6-8, Sunray Industrial Centre, 1/F
 610 Cha Kwo Ling Road, Kowloon
 Tel:23489211-4 Fax:(852)27727666

DWG NO. : J859-SD-PW-DT78 REV. : A



DELETE
CHANGE TO
DT72a-4

B.D. REF :

ARCHITECT :
WT WONG TUNG & PARTNERS LIMITED
 ARCHITECTS & PLANNERS

STRUCTURAL ENGINEER :
SUN HUNG KAI
 ARCHITECTS AND ENGINEERS LTD.
 SUN HUNG KAI CENTRE, WANCHAI, HONGKONG
 TEL. 28278111 FAX. 28272884

FACADE CONSULTANT:
α ALPHA CONSULTING LIMITED
 Steel Structure & Facade Specialist

MAIN CONTRACTOR :
Sanfield Engineering
 Construction Ltd.

CLIENT :
SUN HUNG KAI
 REAL ESTATE AGENCY LTD.
 42/F SUN HUNG KAI CENTRE, WANCHAI, HONGKONG

NOTE :
 1. ALL DIMENSIONS ARE IN mm.
 2. ALL ELEVATIONS ARE VIEWED FROM OUTSIDE.
 3. ALL DIMENSIONS TO BE VERIFIED ON SITE BEFORE FABRICATION.

LEGEND :
 (X1) — DETAIL MARK NO.
 (X001) — REFER SHEET NO.
 1. F.F.L. — FINISHED FLOOR LEVEL
 2. S.F.L. — STRUCTURAL FLOOR LEVEL
 3. (R) — REVERSED DETAIL
 4. GLASS LEGEND
 G1—8mmHS+12mm AIR GAP+10mmTP I.G.U.
 G2—8mmHS+12mm AIR GAP+8mmTP I.G.U.
 G2a—8mmHS+12mm AIR GAP+8mmTP+1.52PVB +6mm FEATURED GLASS (I.G.U.)
 G8—6mm GREY HS+1.52PVB+6mm CLEAR HS

NO.	DATE	REVISION SUBJECT TO ARCH.COMMENT	BY
A	28/03/2022	REVISION SUBJECT TO ARCH.COMMENT	IWAN

JOB NO. : J-859
 PROJECT : PROPOSED RESIDENTIAL / COMMERCIAL DEVELOPMENT AT NKIL NO.6551 KAI TAK AREA 4C, SITE 3 KAI TAK, KOWLOON

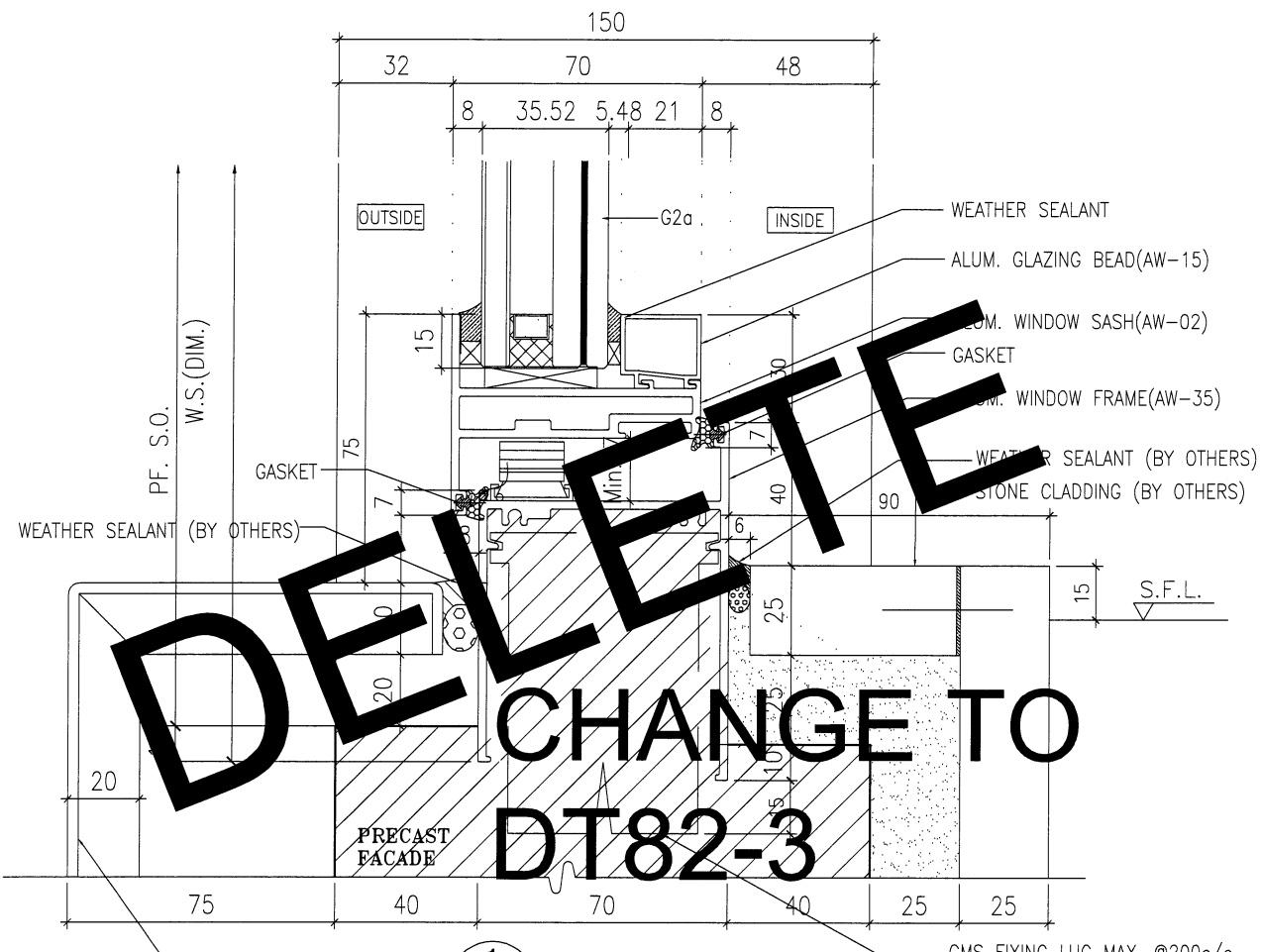
TITLE : TYPICAL DETAILS FOR ALUM. WINDOW

DATE : 10-Nov-21 SCALE : 1:2 (A3)

DRAWN BY : IVAN CHECKED BY :

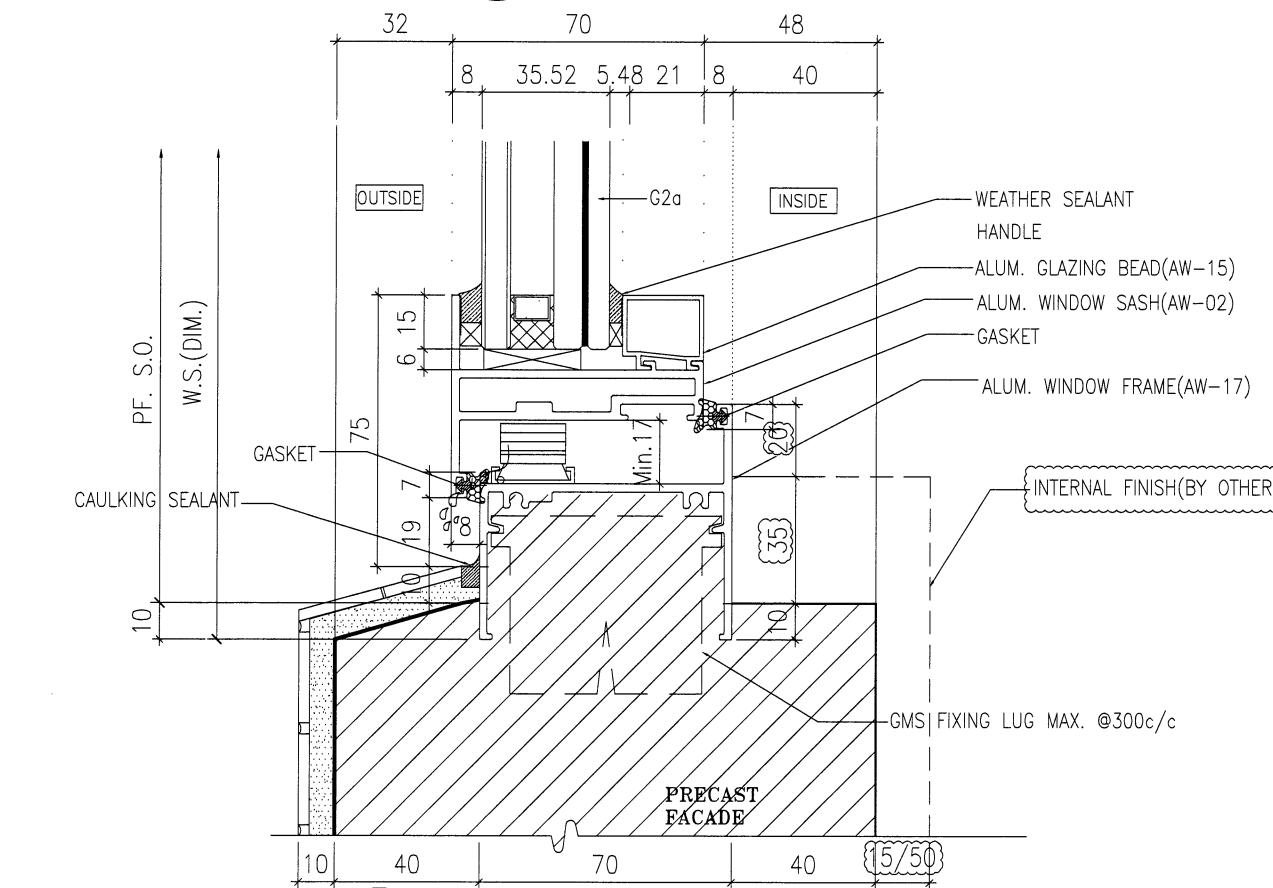
美特鋁質有限公司
 MIDI ALUMINIUM FABRICATOR LTD.
 Units 6-8, Sunray Industrial Centre, 1/F
 610 Cha Kwo Ling Road, Kowloon
 Tel:23489211-4 Fax:(852)27727666

DWG NO. : J859-SD-PW-DT79 REV. : A

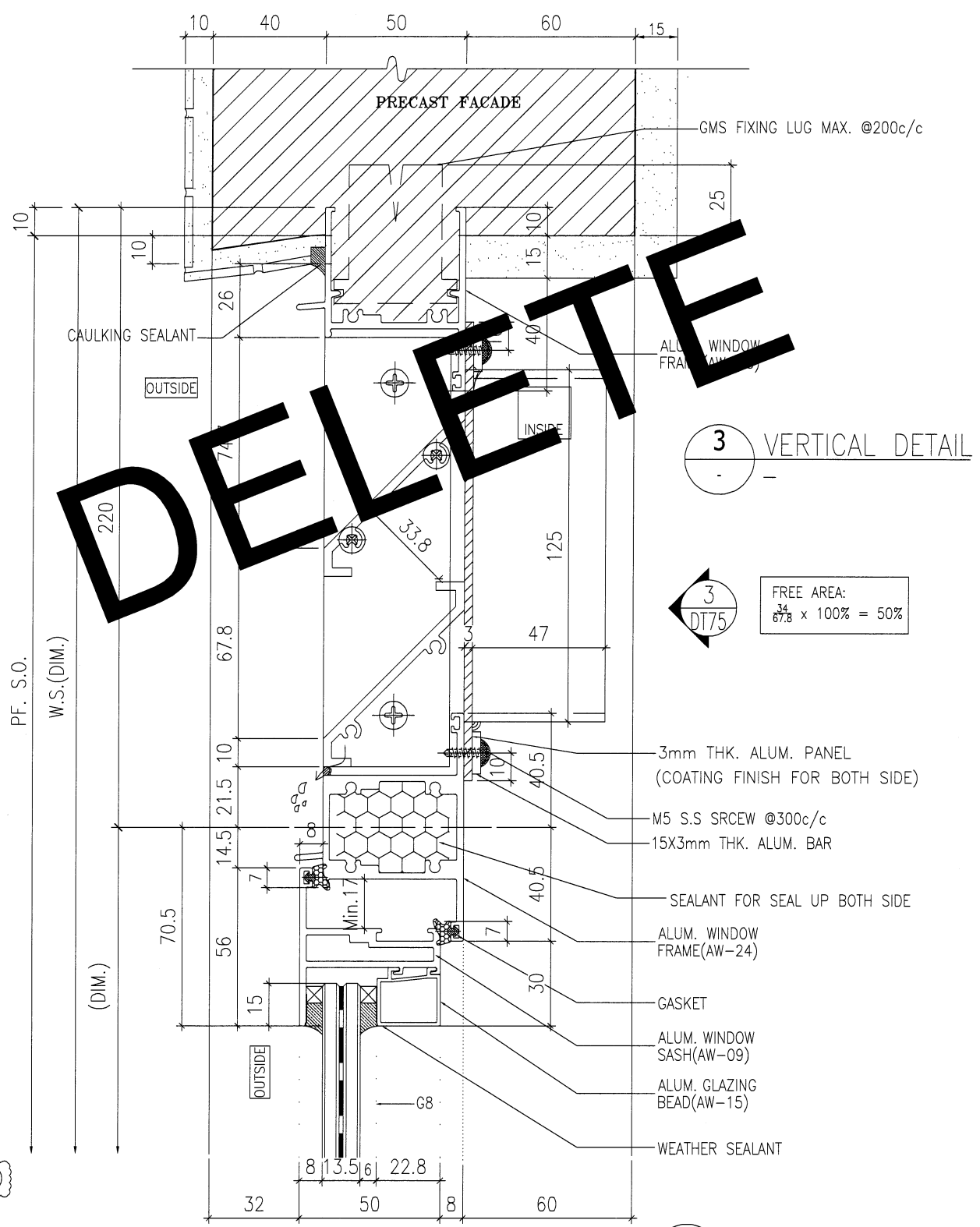


DELETE
CHANGE TO
DT82-3

1 VERTICAL DETAIL



2 VERTICAL DETAIL



3 VERTICAL DETAIL

3
 DT75
 FREE AREA:
 $\frac{34}{67.8} \times 100\% = 50\%$

4 VERTICAL DETAIL

B.D. REF :

ARCHITECT :
WT WONG TUNG & PARTNERS LIMITED
 ARCHITECTS & PLANNERS

STRUCTURAL ENGINEER :
SUN HUNG KAI
 ARCHITECTS AND ENGINEERS LTD.
 SUN HUNG KAI CENTRE, WANCHAI, HONGKONG
 TEL. 28278111 FAX. 28272884

FAÇADE CONSULTANT:
α ALPHA CONSULTING LIMITED
 Steel Structure & Façade Specialist

MAIN CONTRACTOR :
Sanfield Engineering
 Construction Ltd.

CLIENT :
SUN HUNG KAI
 REAL ESTATE AGENCY LTD.
 42/F SUN HUNG KAI CENTRE, WANCHAI, HONGKONG

NOTE :
 1. ALL DIMENSIONS ARE IN mm.
 2. ALL ELEVATIONS ARE VIEWED FROM OUTSIDE.
 3. ALL DIMENSIONS TO BE VERIFIED ON SITE BEFORE FABRICATION.

LEGEND :
 X1 - DETAIL MARK NO.
 X001 - REFER SHEET NO.

1. F.F.L. -- FINISHED FLOOR LEVEL
 2. S.F.L. -- STRUCTURAL FLOOR LEVEL
 3. Ⓡ -- REVERSED DETAIL
 4. GLASS LEGEND
 G1-8mmHS+12mm AIR GAP+10mmTP I.G.U.
 G2-8mmHS+12mm AIR GAP+8mmTP I.G.U.
 G2a-8mmHS+12mm AIR GAP+8mmTP+1.52PVB+6mm FEATURED GLASS (I.G.U.)
 G8-6mm GREY HS+1.52PVB+6mm CLEAR HS

A	28/03/2022	REVISION SUBJECT TO ARCH.COMMENT	IVAN
NO.	DATE	REVISED	BY

JOB NO. : J-859
 PROJECT : PROPOSED RESIDENTIAL / COMMERCIAL DEVELOPMENT AT NKIL NO.6551 KAI TAK AREA 4C, SITE 3 KAI TAK, KOWLOON

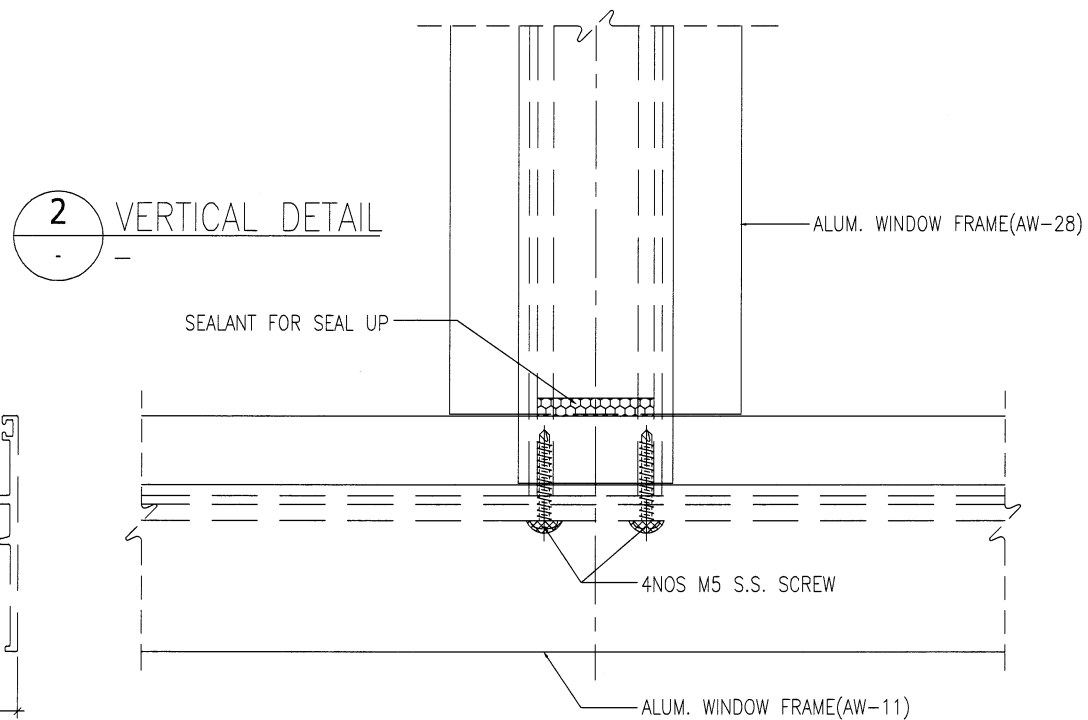
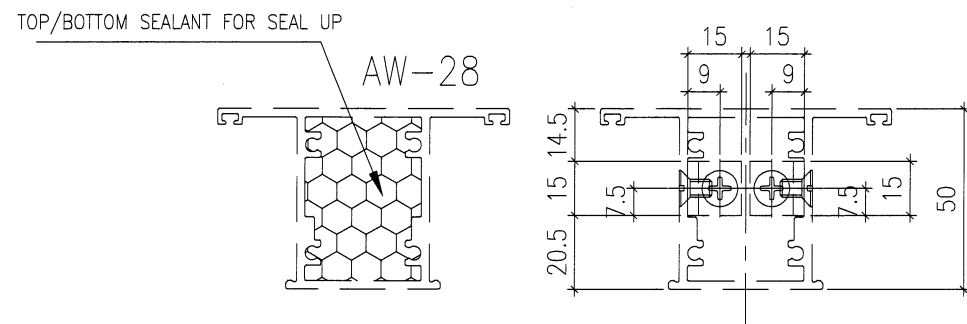
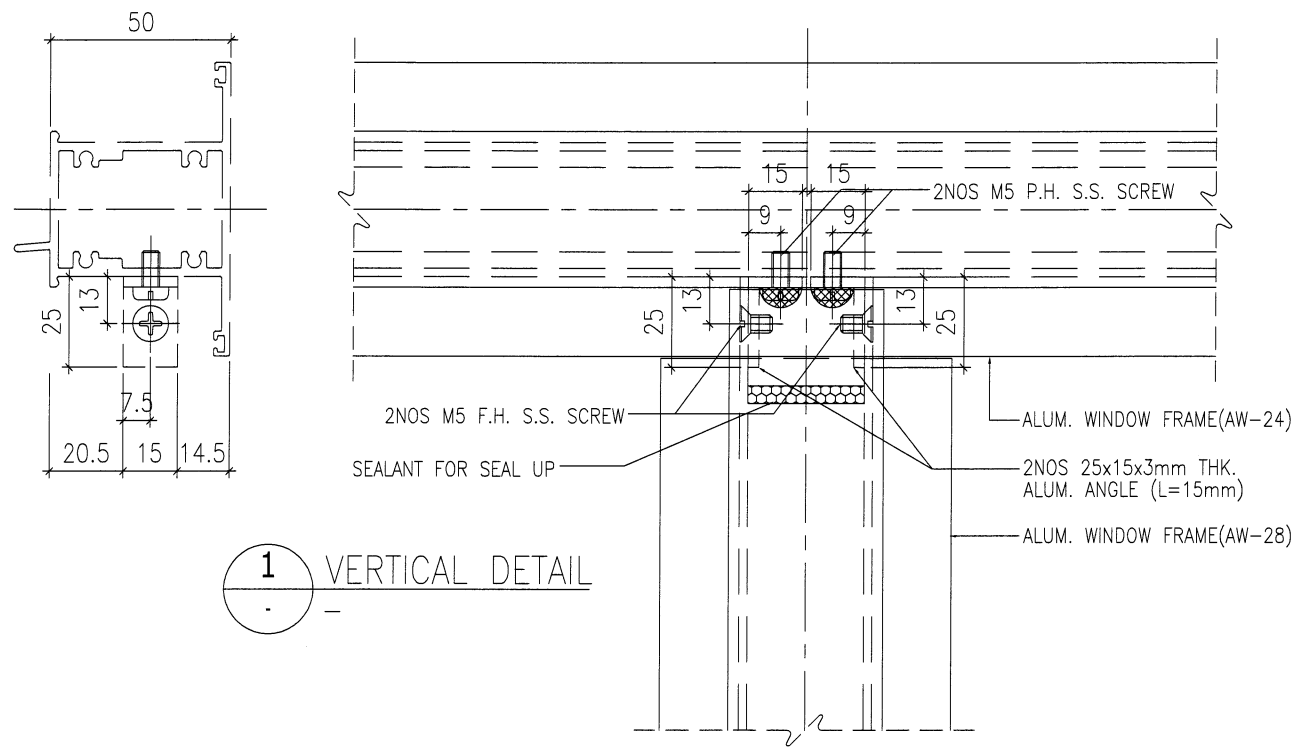
TITLE : TYPICAL DETAILS FOR ALUM. WINDOW

DATE : 10-Nov-21 SCALE : 1:2 (A3)

DRAWN BY : IVAN CHECKED BY :

美特鋁質有限公司
MIDI ALUMINIUM FABRICATOR LTD.
 Units 6-8, Sunray Industrial Centre, 1/F
 610 Cha Kwo Ling Road, Kowloon
 Tel:23489211-4 Fax:(852)27727666

DWG NO. : J859-SD-PW-DT80 REV. : A



B.D. REF :

ARCHITECT :



STRUCTURAL ENGINEER :



SUN HUNG KAI CENTRE, WANCHAI, HONGKONG
TEL. 28278111 FAX. 28272884

FACADE CONSULTANT:



MAIN CONTRACTOR :

Sanfield Engineering
Construction Ltd.

CLIENT :



NOTE :

1. ALL DIMENSIONS ARE IN mm.
2. ALL ELEVATIONS ARE VIEWED FROM OUTSIDE.
3. ALL DIMENSIONS TO BE VERIFIED ON SITE BEFORE FABRICATION.

LEGEND :

- (X1) — DETAIL MARK NO.
(X001) — REFER SHEET NO.

1. F.F.L. -- FINISHED FLOOR LEVEL
2. S.F.L. -- STRUCTURAL FLOOR LEVEL
3. (R) -- REVERSED DETAIL

4. GLASS LEGEND

G1-8mmHS+12mm AIR GAP+10mmTP I.G.U.

G2-8mmHS+12mm AIR GAP+8mmTP I.G.U.

G2a-8mmHS+12mm AIR GAP+8mmTP+1.52PVB
+6mm FEATURED GLASS (I.G.U.)

GB-6mm GREY HS+1.52PVB+6mm CLEAR HS

NO.	DATE	REVISED	BY

JOB NO. : J-859

PROJECT :
PROPOSED RESIDENTIAL / COMMERCIAL
DEVELOPMENT AT NKIL NO.6551 KAI
TAK AREA 4C, SITE 3
KAI TAK, KOWLOON

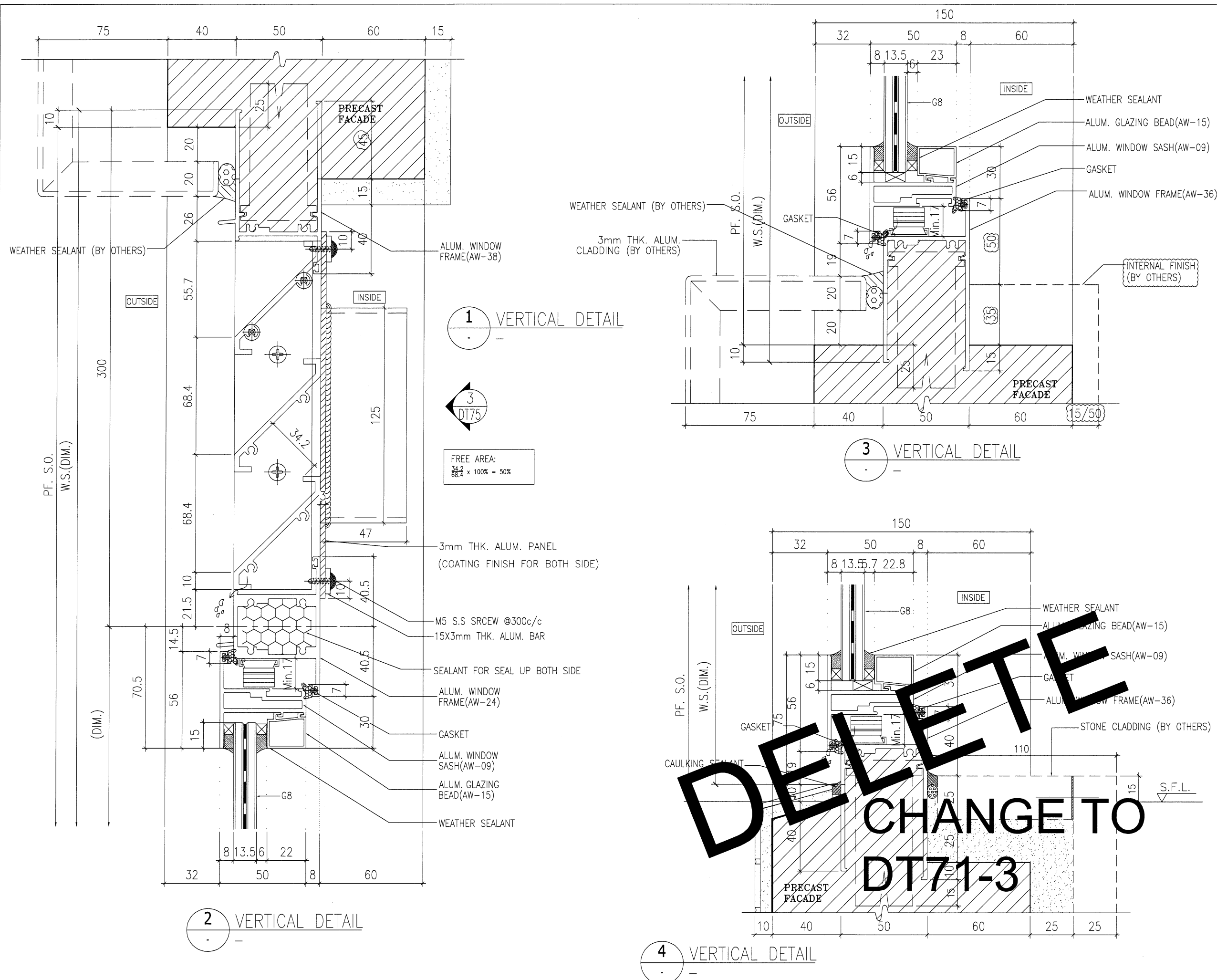
TITLE :
TYPICAL DETAILS FOR
ALUM. WINDOW

DATE : 10-Nov-21 SCALE : 1:2 (A3)

DRAWN BY : IVAN CHECKED BY :

美特鋁質有限公司
MIDI ALUMINIUM FABRICATOR LTD.
Units 6-8, Sunray Industrial Centre, 1/F
610 Cha Kwo Ling Road, Kowloon
Tel:23489211-4 Fax:(852)27727666

DWG NO. : J859-SD-PW-DT80a REV. : -



B.D. REF :

ARCHITECT :
WT WONG TUNG & PARTNERS LIMITED
 ARCHITECTS & PLANNERS

STRUCTURAL ENGINEER :
SUN HUNG KAI
 ARCHITECTS AND ENGINEERS LTD.
 SUN HUNG KAI CENTRE, WANCHAI, HONGKONG
 TEL. 28278111 FAX. 28272884

FACADE CONSULTANT:
α ALPHA CONSULTING LIMITED
 Steel Structure & Facade Specialist

MAIN CONTRACTOR :
Sanfield Engineering
 Construction Ltd.

CLIENT :
SUN HUNG KAI
 REAL ESTATE AGENCY LTD.
 42/F SUN HUNG KAI CENTRE, WANCHAI, HONGKONG

NOTE :
 1. ALL DIMENSIONS ARE IN mm.
 2. ALL ELEVATIONS ARE VIEWED FROM OUTSIDE.
 3. ALL DIMENSIONS TO BE VERIFIED ON SITE BEFORE FABRICATION.

LEGEND :
 x1 — DETAIL MARK NO.
 x001 — REFER SHEET NO.

1. F.F.L. — FINISHED FLOOR LEVEL
 2. S.F.L. — STRUCTURAL FLOOR LEVEL
 3. (R) — REVERSED DETAIL
 4. GLASS LEGEND
 G1—8mmHS+12mm AIR GAP+10mmTP I.G.U.
 G2—8mmHS+12mm AIR GAP+8mmTP I.G.U.
 G2a—8mmHS+12mm AIR GAP+8mmTP+1.52PVB +6mm FEATURED GLASS (I.G.U.)
 G8—6mm GREY HS+1.52PVB+6mm CLEAR HS

NO.	DATE	REVISION SUBJECT TO ARCH.COMMENT	BY
A	28/3/2022	REVISION SUBJECT TO ARCH.COMMENT	IVAN

JOB NO. : J-859

PROJECT :
 PROPOSED RESIDENTIAL / COMMERCIAL
 DEVELOPMENT AT NKIL NO.6551 KAI
 TAK AREA 4C, SITE 3
 KAI TAK, KOWLOON

TITLE :
 TYPICAL DETAILS FOR
 ALUM. WINDOW

DATE : 10-Nov-21 SCALE : 1:2 (A3)

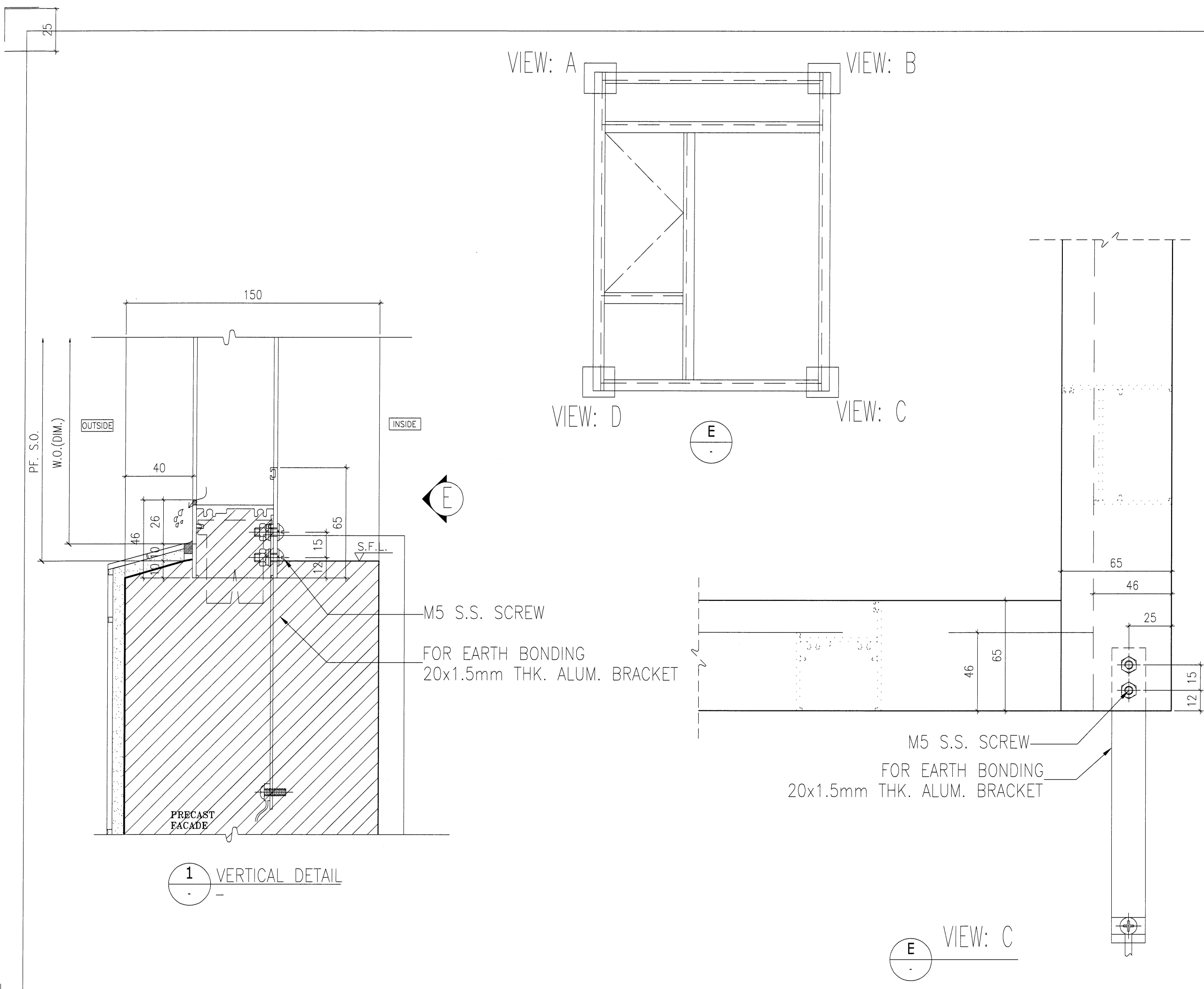
DRAWN BY : IVAN CHECKED BY :

英特鋁質有限公司
MIDI ALUMINIUM FABRICATOR LTD.
 Units 6-8, Sunray Industrial Centre, 1/F
 610 Cha Kwo Ling Road, Kowloon
 Tel:23489211-4 Fax:(852)2727666

DWG NO. : J859-SD-PW-DT81 REV. : A

DELETE

CHANGE TO
DT71-3



B.D. REF :

ARCHITECT :
WT WONG TUNG & PARTNERS LIMITED
 ARCHITECTS & PLANNERS

STRUCTURAL ENGINEER :
SUN HUNG KAI
 ARCHITECTS AND ENGINEERS LTD.
 SUN HUNG KAI CENTRE, WANCHAI, HONGKONG
 TEL. 28278111 FAX. 28272884

FACADE CONSULTANT:
α ALPHA CONSULTING LIMITED
 Steel Structure & Facade Specialist

MAIN CONTRACTOR :
Sanfield Engineering
 Construction Ltd.

CLIENT :
SUN HUNG KAI
 REAL ESTATE AGENCY LTD.
 42/F SUN HUNG KAI CENTRE, WANCHAI, HONGKONG

NOTE :
 1. ALL DIMENSIONS ARE IN mm.
 2. ALL ELEVATIONS ARE VIEWED FROM OUTSIDE.
 3. ALL DIMENSIONS TO BE VERIFIED ON SITE BEFORE FABRICATION.

LEGEND :
 (X1) — DETAIL MARK NO.
 (X001) — REFER SHEET NO.
 1. F.F.L. — FINISHED FLOOR LEVEL
 2. S.F.L. — STRUCTURAL FLOOR LEVEL
 3. (R) — REVERSED DETAIL
 4. GLASS LEGEND
 G1—8mmHS+12mm AIR GAP+10mmTP I.G.U.
 G2—8mmHS+12mm AIR GAP+8mmTP I.G.U.
 G2a—8mmHS+12mm AIR GAP+8mmTP+1.52PVB +6mm FEATURED GLASS (I.G.U.)
 G6—6mm GREY HS+1.52PVB+6mm CLEAR HS

NO.	DATE	REVISED	BY

JOB NO. : J-859
 PROJECT : PROPOSED RESIDENTIAL / COMMERCIAL DEVELOPMENT AT NKIL NO.6551 KAI TAK AREA 4C, SITE 3 KAI TAK, KOWLOON

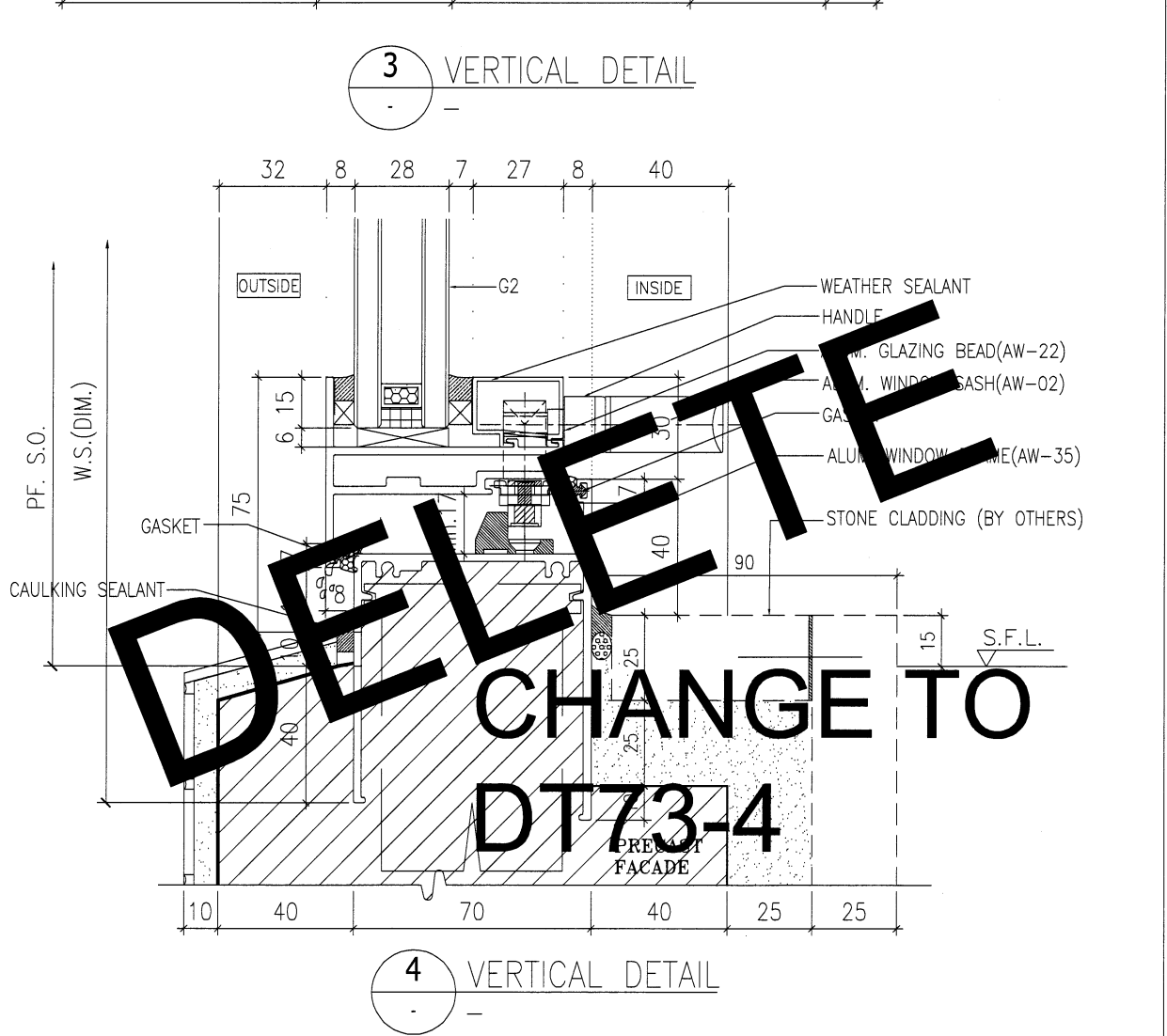
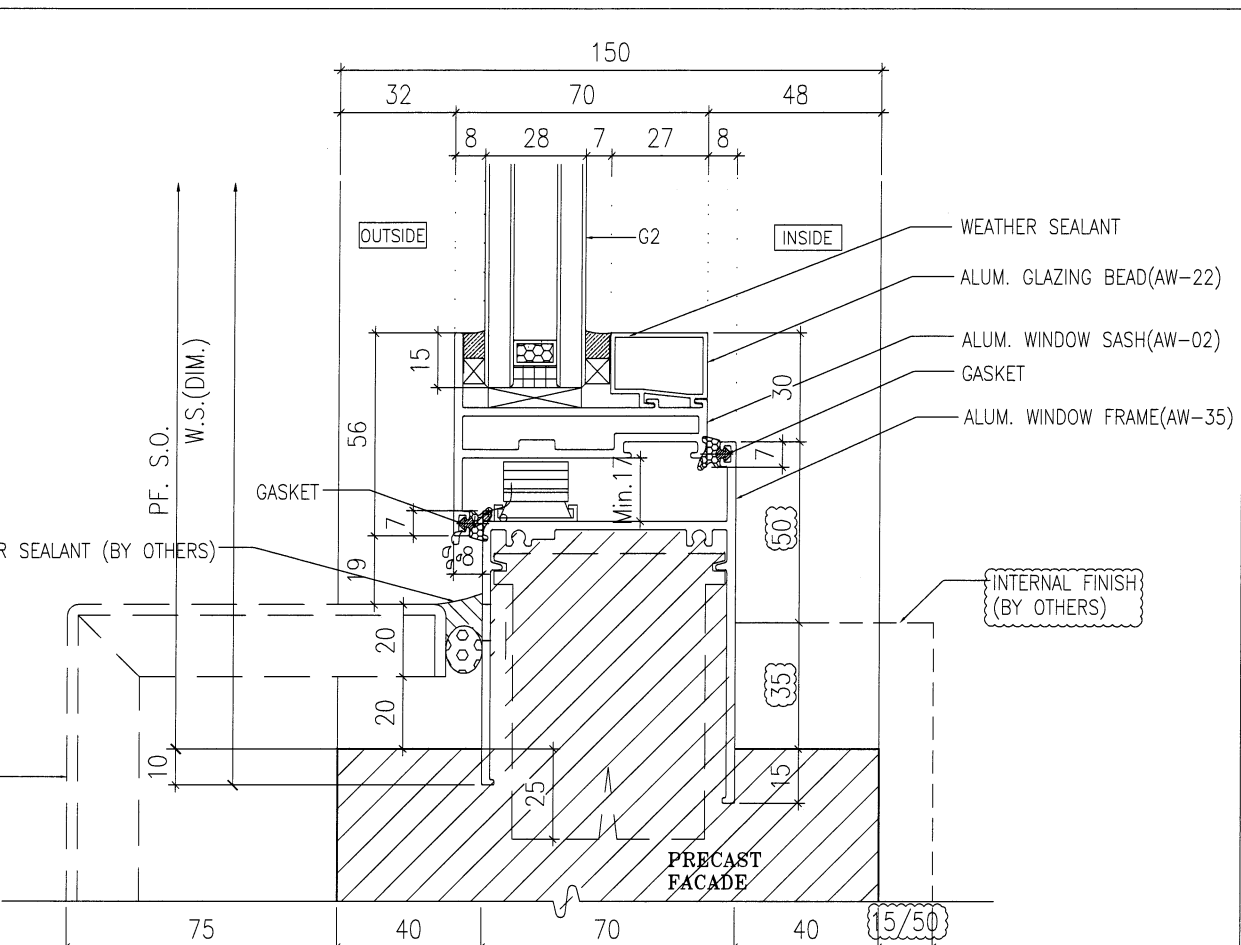
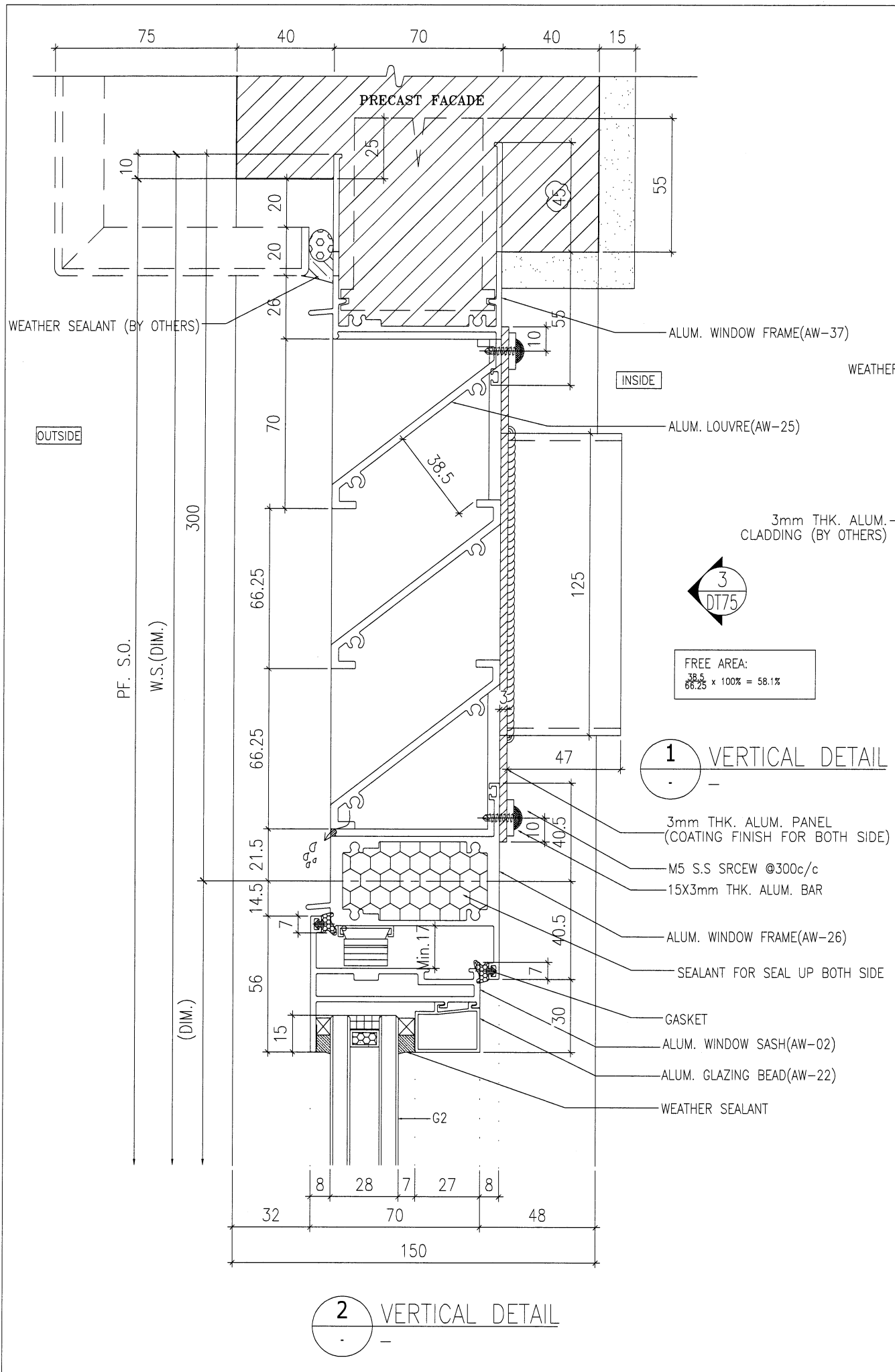
TITLE : TYPICAL EARTHING BONDING DETAILS OF PRECAST

DATE : 10-Nov-21 SCALE : 1:2 (A3)

DRAWN BY : IVAN CHECKED BY :

美特鋁質有限公司
MIDI ALUMINIUM FABRICATOR LTD.
 Units 6-B, Sunray Industrial Centre, 1/F
 610 Cha Kwo Ling Road, Kowloon
 Tel:23489211-4 Fax:(852)2727666

DWG NO. : J859-SD-PW-DT83 REV. : -



FREE AREA:
 $\frac{38.5}{66.25} \times 100\% = 58.1\%$

DELETE
CHANGE TO
DT73-4

B.D. REF :

ARCHITECT :
WT WONG TUNG & PARTNERS LIMITED
 ARCHITECTS & PLANNERS

STRUCTURAL ENGINEER :
SUN HUNG KAI
 ARCHITECTS AND ENGINEERS LTD.
 SUN HUNG KAI CENTRE, WANCHAI, HONGKONG
 TEL. 28278111 FAX. 28272884

FACADE CONSULTANT:
ALPHA CONSULTING LIMITED
 Steel Structure & Facade Specialist

MAIN CONTRACTOR :
Sanfield Engineering Construction Ltd.

CLIENT :
SUN HUNG KAI
 REAL ESTATE AGENCY LTD.
 42/F SUN HUNG KAI CENTRE, WANCHAI, HONGKONG

NOTE :
 1. ALL DIMENSIONS ARE IN mm.
 2. ALL ELEVATIONS ARE VIEWED FROM OUTSIDE.
 3. ALL DIMENSIONS TO BE VERIFIED ON SITE BEFORE FABRICATION.

LEGEND :
 x1 — DETAIL MARK NO.
 x001 — REFER SHEET NO.

1. F.F.L. — FINISHED FLOOR LEVEL
 2. S.F.L. — STRUCTURAL FLOOR LEVEL
 3. (R) — REVERSED DETAIL
 4. GLASS LEGEND
 G1 — 8mmHS+12mm AIR GAP+10mmTP I.G.U.
 G2 — 8mmHS+12mm AIR GAP+8mmTP I.G.U.
 G2a — 8mmHS+12mm AIR GAP+8mmTP+1.52PVB+6mm FEATURED GLASS (I.G.U.)
 G8 — 6mm GREY HS+1.52PVB+6mm CLEAR HS

NO.	DATE	REVISION SUBJECT TO ARCH.COMMENT	BY
A	28/3/2022	REVISION SUBJECT TO ARCH.COMMENT	IVAN

JOB NO. : J-859

PROJECT : PROPOSED RESIDENTIAL / COMMERCIAL DEVELOPMENT AT NKIL NO.6551 KAI TAK AREA 4C, SITE 3 KAI TAK, KOWLOON

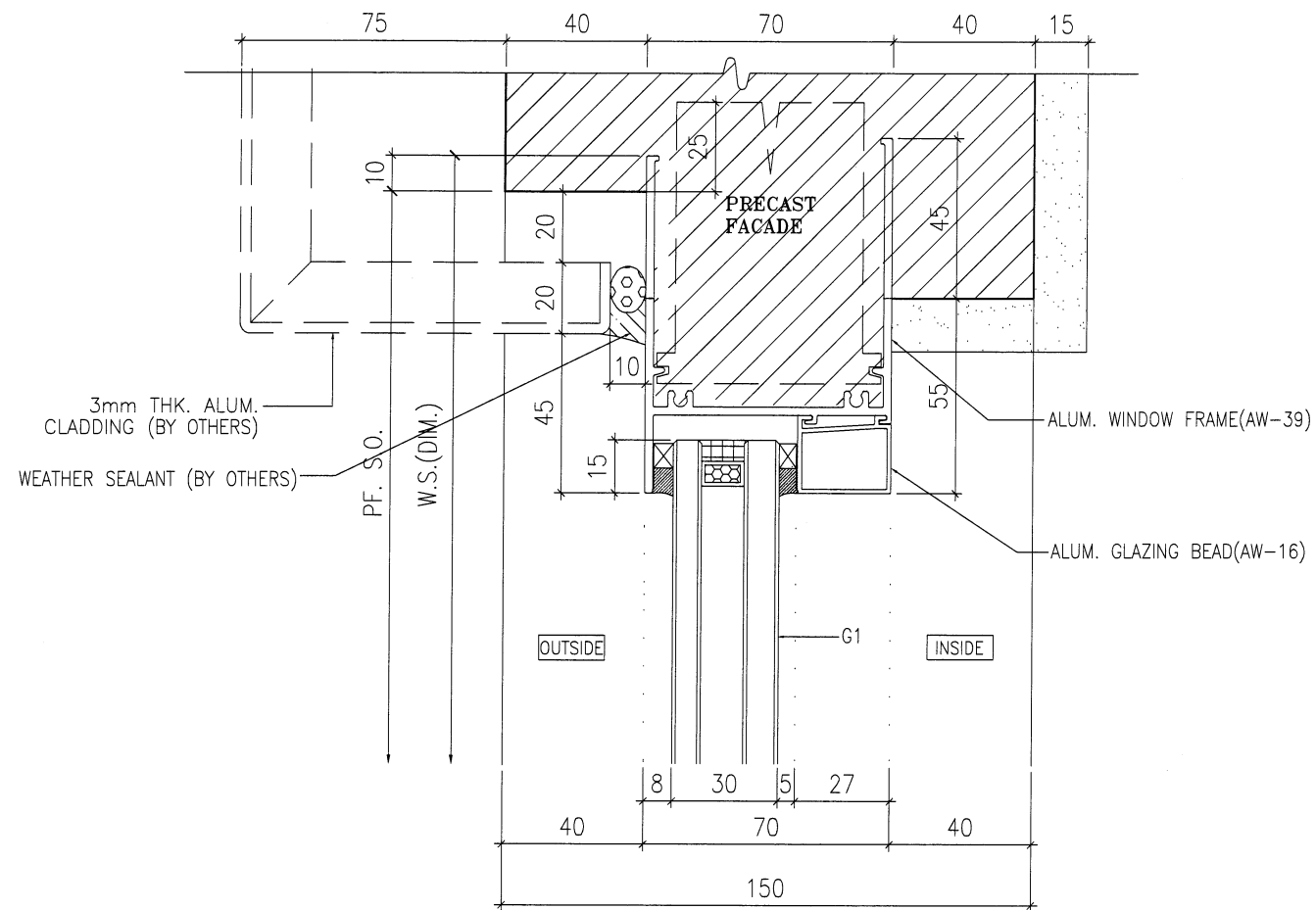
TITLE : TYPICAL DETAILS FOR ALUM. WINDOW

DATE : 10-Nov-21 SCALE : 1:2 (A3)

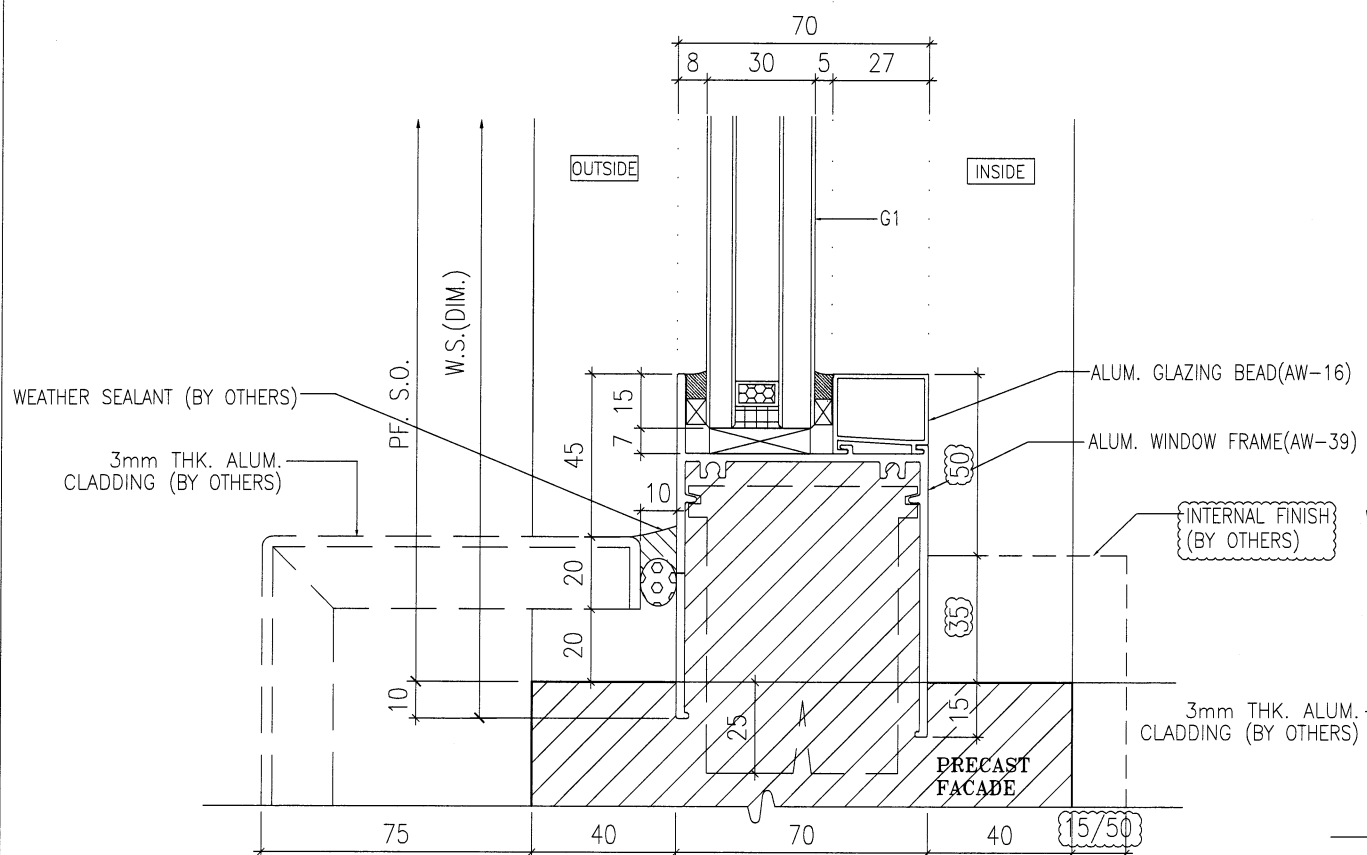
DRAWN BY : IVAN CHECKED BY :

美特鋁質有限公司
MIDI ALUMINIUM FABRICATOR LTD.
 Units 6-8, Sunray Industrial Centre, 1/F
 610 Cha Kwo Ling Road, Kowloon
 Tel:23489211-4 Fax:(852)27727666

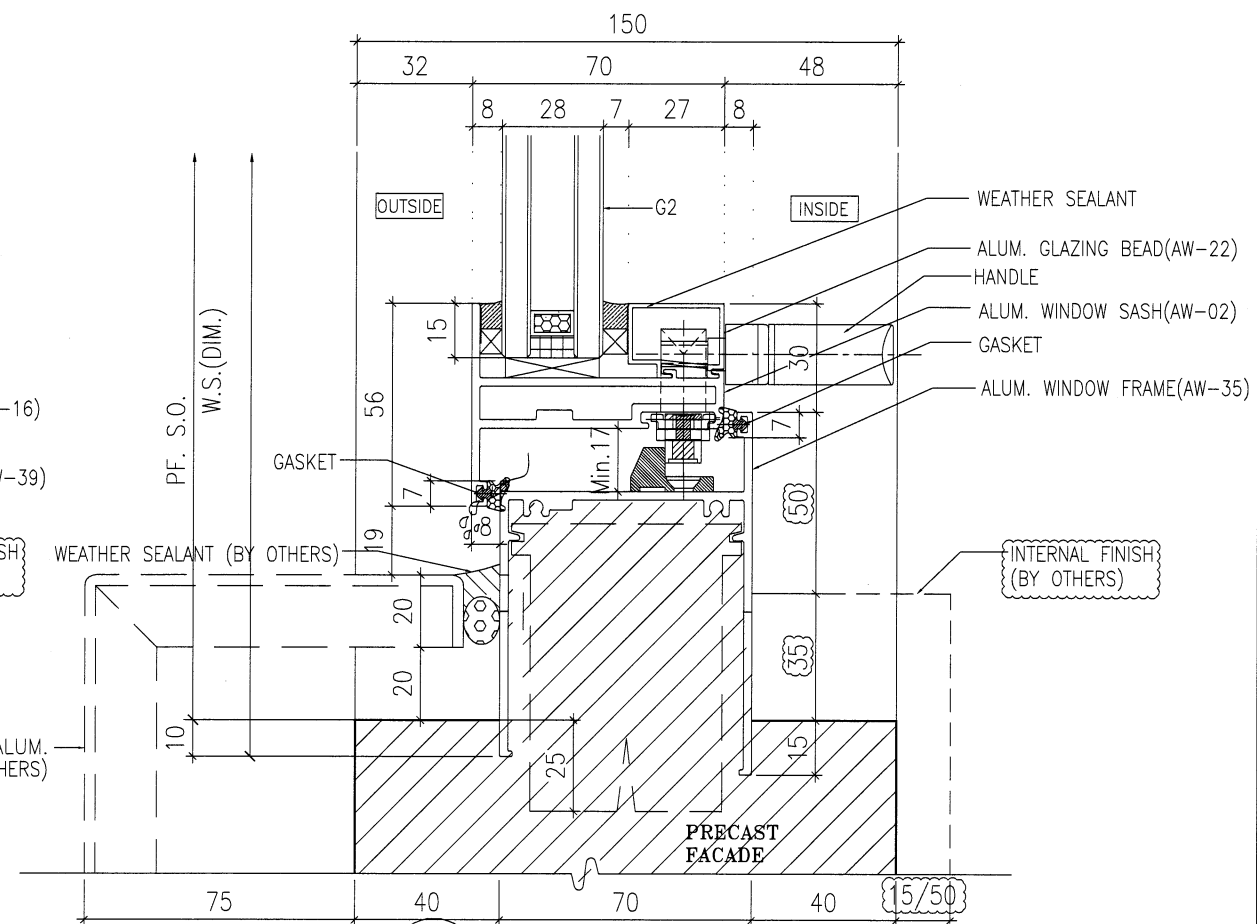
DWG NO. : J859-SD-PW-DT82 REV. : A



1 VERTICAL DETAIL



2 VERTICAL DETAIL



4 VERTICAL DETAIL

B.D. REF :

ARCHITECT :
WT WONG TUNG & PARTNERS LIMITED
 ARCHITECTS & PLANNERS

STRUCTURAL ENGINEER :
SUN HUNG KAI
 ARCHITECTS AND ENGINEERS LTD.
 SUN HUNG KAI CENTRE, WANCHAI, HONGKONG
 TEL. 28278111 FAX. 28272884

FACADE CONSULTANT:
α ALPHA CONSULTING LIMITED
 Steel Structure & Facade Specialist

MAIN CONTRACTOR :
Sanfield Engineering
 Construction Ltd.

CLIENT :
SUN HUNG KAI
 REAL ESTATE AGENCY LTD.
 42/F SUN HUNG KAI CENTRE, WANCHAI, HONGKONG

NOTE :
 1. ALL DIMENSIONS ARE IN mm.
 2. ALL ELEVATIONS ARE VIEWED FROM OUTSIDE.
 3. ALL DIMENSIONS TO BE VERIFIED ON SITE BEFORE FABRICATION.

LEGEND :
 X1 - DETAIL MARK NO.
 X001 - REFER SHEET NO.
 1. F.F.L. -- FINISHED FLOOR LEVEL
 2. S.F.L. -- STRUCTURAL FLOOR LEVEL
 3. (R) -- REVERSED DETAIL
 4. GLASS LEGEND
 G1-8mmHS+12mm AIR GAP+10mmTP I.G.U.
 G2-8mmHS+12mm AIR GAP+8mmTP I.G.U.
 G2a-8mmHS+12mm AIR GAP+8mmTP+1.52PVB +6mm FEATURED GLASS (I.G.U.)
 G8-6mm GREY HS+1.52PVB+6mm CLEAR HS

NO.	DATE	REVISION SUBJECT TO ARCH.COMMENT	BY
A	28/3/2022		

JOB NO. : J-859
 PROJECT : PROPOSED RESIDENTIAL / COMMERCIAL DEVELOPMENT AT NKIL NO.6551 KAI TAK AREA 4C, SITE 3 KAI TAK, KOWLOON

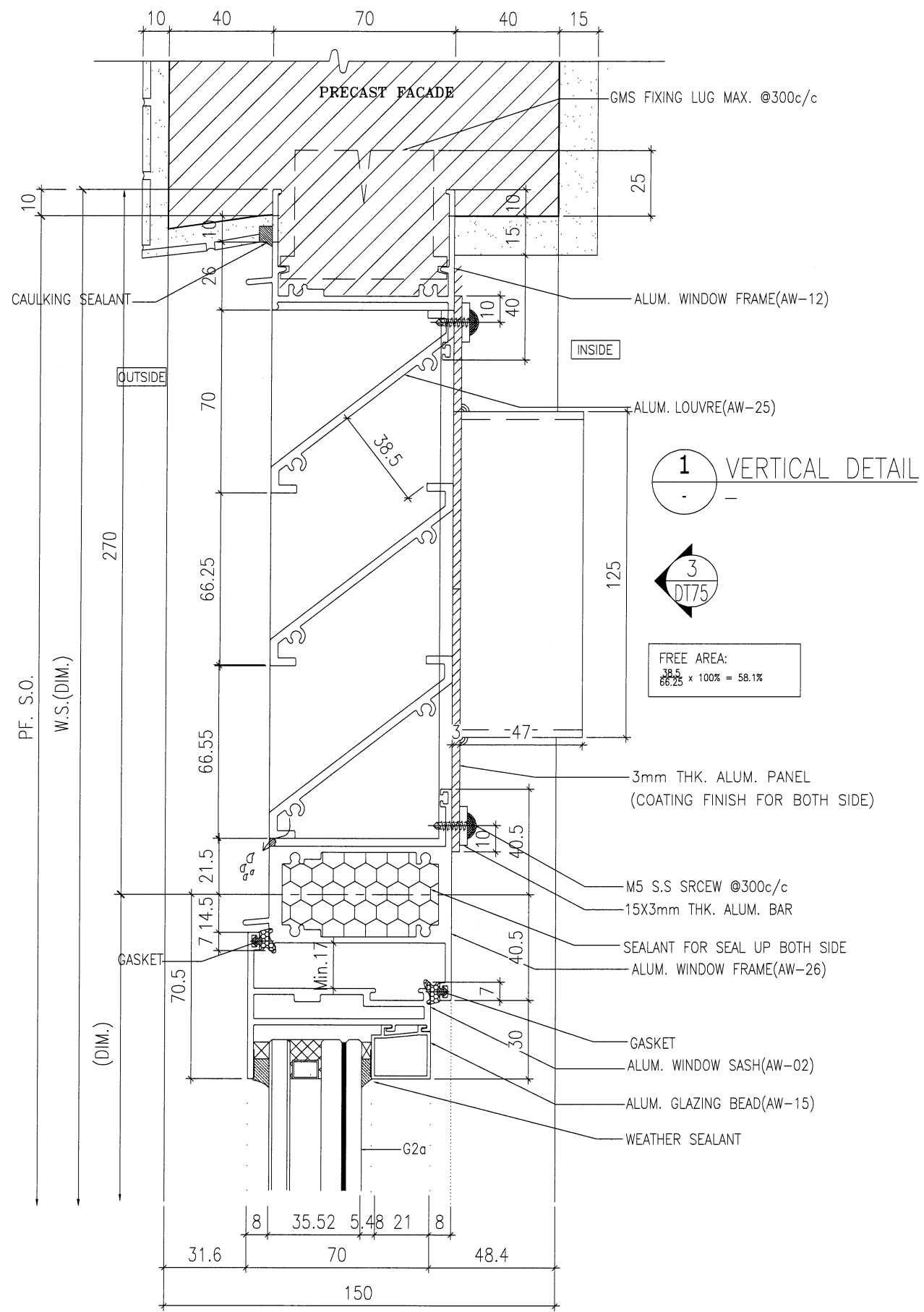
TITLE : TYPICAL DETAILS FOR ALUM. WINDOW

DATE : 10-Nov-21 SCALE : 1:2 (A3)

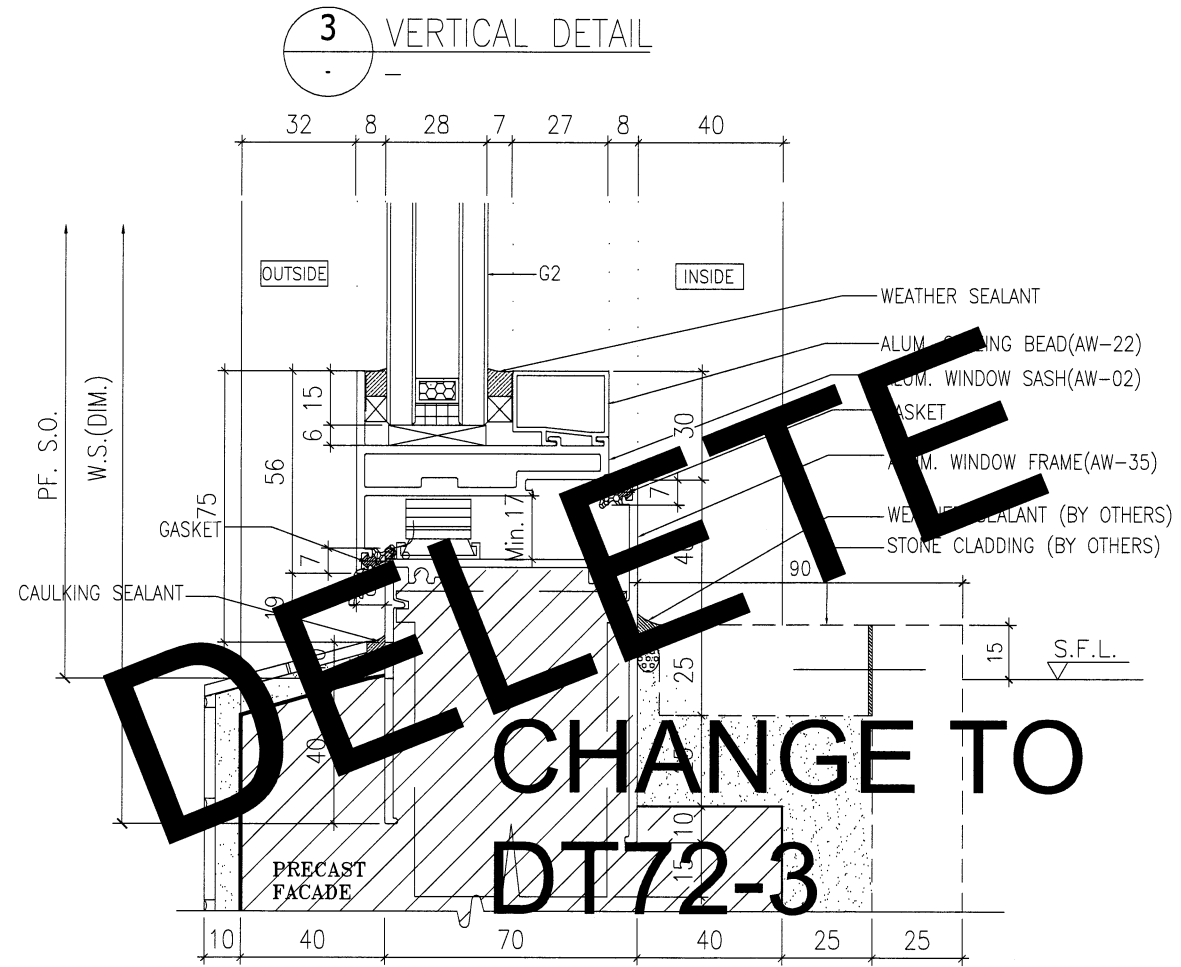
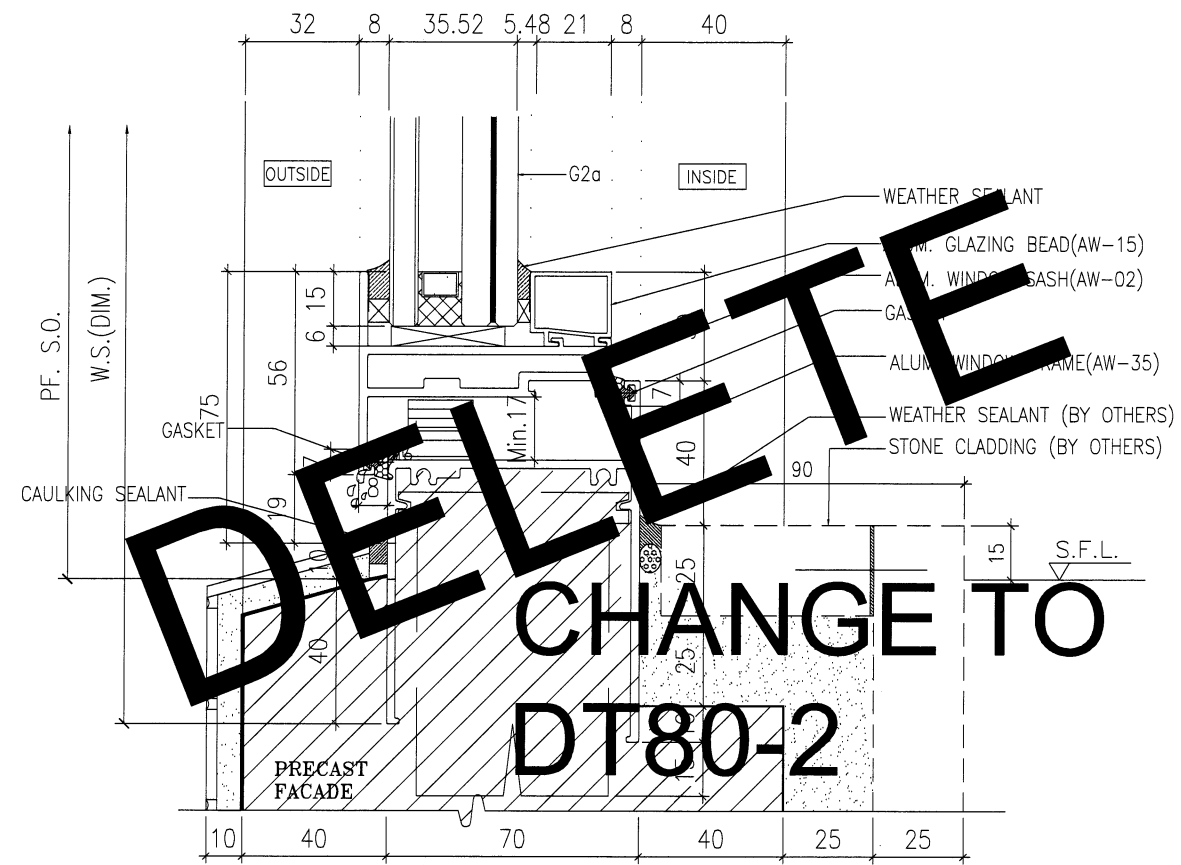
DRAWN BY : IVAN CHECKED BY :

英特鋁質有限公司
MIDI ALUMINIUM FABRICATOR LTD.
 Units 6-8, Sunray Industrial Centre, 1/F
 610 Cha Kwo Ling Road, Kowloon
 Tel:23489211-4 Fax:(852)27727666

DWG NO. : J859-SD-PW-DT8.3a REV. : A



2 VERTICAL DETAIL



B.D. REF :

ARCHITECT :
WT WONG TUNG & PARTNERS LIMITED
 ARCHITECTS & PLANNERS

STRUCTURAL ENGINEER :
SUN HUNG KAI
 ARCHITECTS AND ENGINEERS LTD.
 SUN HUNG KAI CENTRE, WANCHAI, HONGKONG
 TEL: 28278111 FAX: 28272884

FACADE CONSULTANT:
α ALPHA CONSULTING LIMITED
 Steel Structure & Facade Specialist

MAIN CONTRACTOR :
Sanfield Engineering
 Construction Ltd.

CLIENT :
SUN HUNG KAI
 REAL ESTATE AGENCY LTD.
 42/F SUN HUNG KAI CENTRE, WANCHAI, HONGKONG

- NOTE :
- ALL DIMENSIONS ARE IN mm.
 - ALL ELEVATIONS ARE VIEWED FROM OUTSIDE.
 - ALL DIMENSIONS TO BE VERIFIED ON SITE BEFORE FABRICATION.

- LEGEND :
- X1 - DETAIL MARK NO.
 - X001 - REFER SHEET NO.
 - F.F.L. --- FINISHED FLOOR LEVEL
 - S.F.L. --- STRUCTURAL FLOOR LEVEL
 - (R) --- REVERSED DETAIL
 - GLASS LEGEND
 - G1-8mmHS+12mm AIR GAP+10mmTP I.G.U.
 - G2-8mmHS+12mm AIR GAP+8mmTP I.G.U.
 - G2a-8mmHS+12mm AIR GAP+8mmTP+1.52PVB+6mm FEATURED GLASS (I.G.U.)
 - G8-6mm GREY HS+1.52PVB+6mm CLEAR HS

A	28/3/2022	REVISION SUBJECT TO ARCH COMMENT	IWAN
NO.	DATE	REVISED	BY

JOB NO. : J-859

PROJECT :
 PROPOSED RESIDENTIAL / COMMERCIAL
 DEVELOPMENT AT NKIL NO.6551 KAI
 TAK AREA 4C, SITE 3
 KAI TAK, KOWLOON

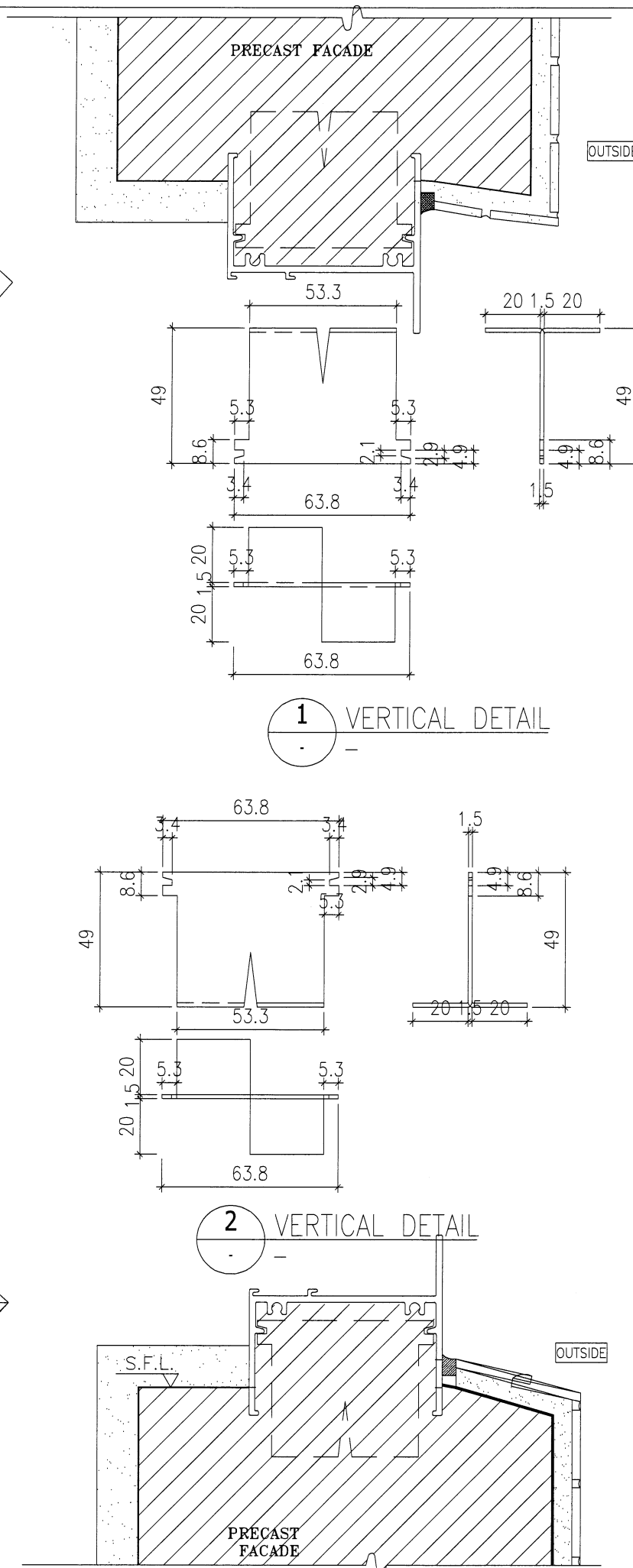
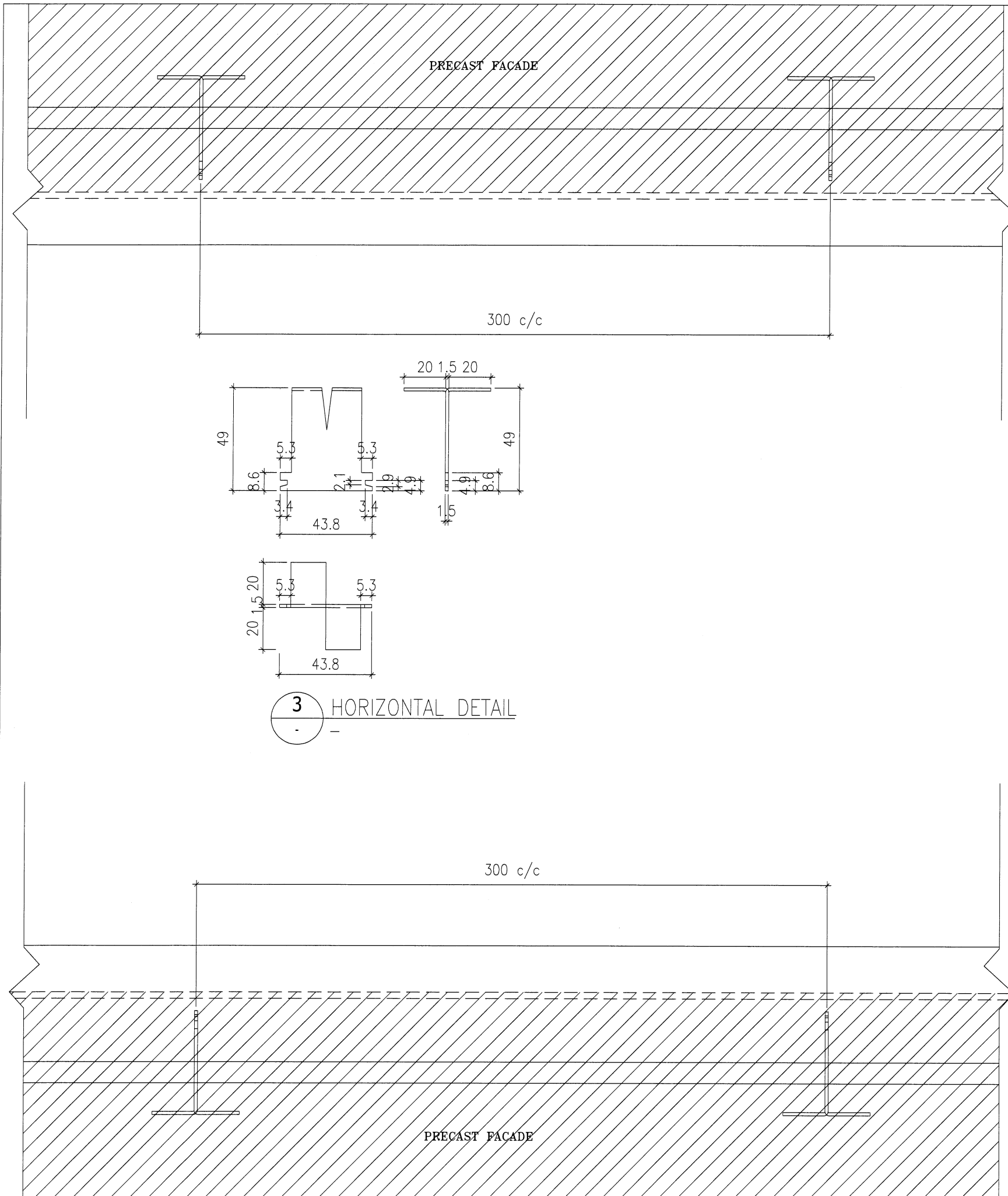
TITLE :
 TYPICAL DETAILS FOR
 ALUM. WINDOW

DATE : 10-Nov-21 SCALE : 1:2 (A3)

DRAWN BY : IVAN CHECKED BY :

美特鋁質有限公司
MIDI ALUMINIUM FABRICATOR LTD.
 Units 6-8, Sunray Industrial Centre, 1/F
 610 Cha Kwo Ling Road, Kowloon
 Tel: 23489211-4 Fax: (852) 27727666

DWG NO. : J859-SD-PW-DT84 REV. : A



B.D. REF :

ARCHITECT :
WT WONG TUNG & PARTNERS LIMITED
 ARCHITECTS & PLANNERS

STRUCTURAL ENGINEER :
SUN HUNG KAI
 ARCHITECTS AND ENGINEERS LTD.
 SUN HUNG KAI CENTRE, WANCHAI, HONGKONG
 TEL. 28278111 FAX. 28272884

FACADE CONSULTANT:
α ALPHA CONSULTING LIMITED
 Steel Structure & Facade Specialist

MAIN CONTRACTOR :
Sanfield Engineering
 Construction Ltd.

CLIENT :
SUN HUNG KAI
 REAL ESTATE AGENCY LTD.
 42/F SUN HUNG KAI CENTRE, WANCHAI, HONGKONG

NOTE :
 1. ALL DIMENSIONS ARE IN mm.
 2. ALL ELEVATIONS ARE VIEWED FROM OUTSIDE.
 3. ALL DIMENSIONS TO BE VERIFIED ON SITE BEFORE FABRICATION.

LEGEND :
 x1 — DETAIL MARK NO.
 x001 — REFER SHEET NO.

1. F.F.L. — FINISHED FLOOR LEVEL
 2. S.F.L. — STRUCTURAL FLOOR LEVEL
 3. (R) — REVERSED DETAIL
 4. GLASS LEGEND
 G1—8mmHS+12mm AIR GAP+10mmTP I.G.U.
 G2—8mmHS+12mm AIR GAP+8mmTP I.G.U.
 G2a—8mmHS+12mm AIR GAP+8mmTP+1.52PVB+6mm FEATURED GLASS (I.G.U.)
 G8—6mm GREY HS+1.52PVB+6mm CLEAR HS

NO.	DATE	REVISED	BY

JOB NO. : J-859

PROJECT :
 PROPOSED RESIDENTIAL / COMMERCIAL
 DEVELOPMENT AT NKIL NO.6551 KAI
 TAK AREA 4C, SITE 3
 KAI TAK, KOWLOON

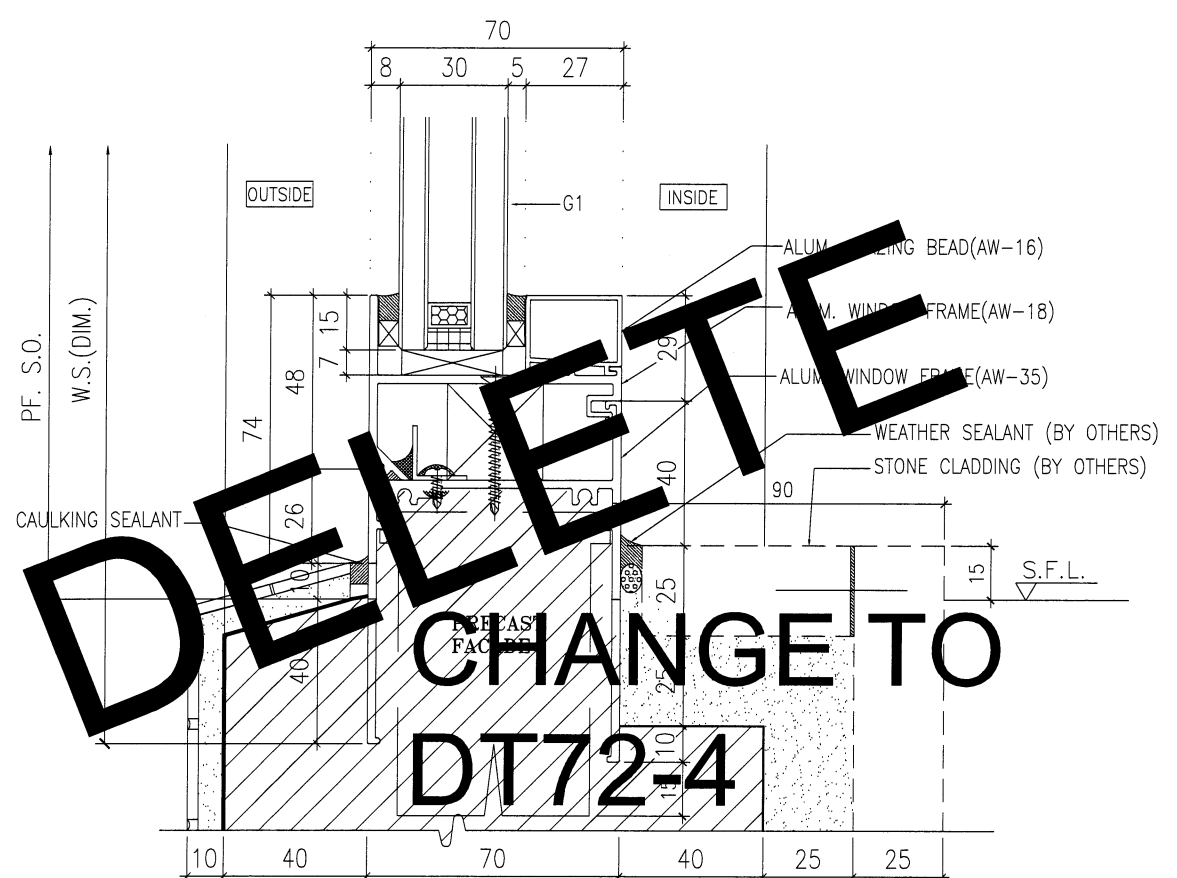
TITLE :
 G.M.S FIXING LUG TYPICAL DETAIL
 FOR ALUM. WINDOW

DATE : 10-Nov-21 SCALE : 1:2 (A3)

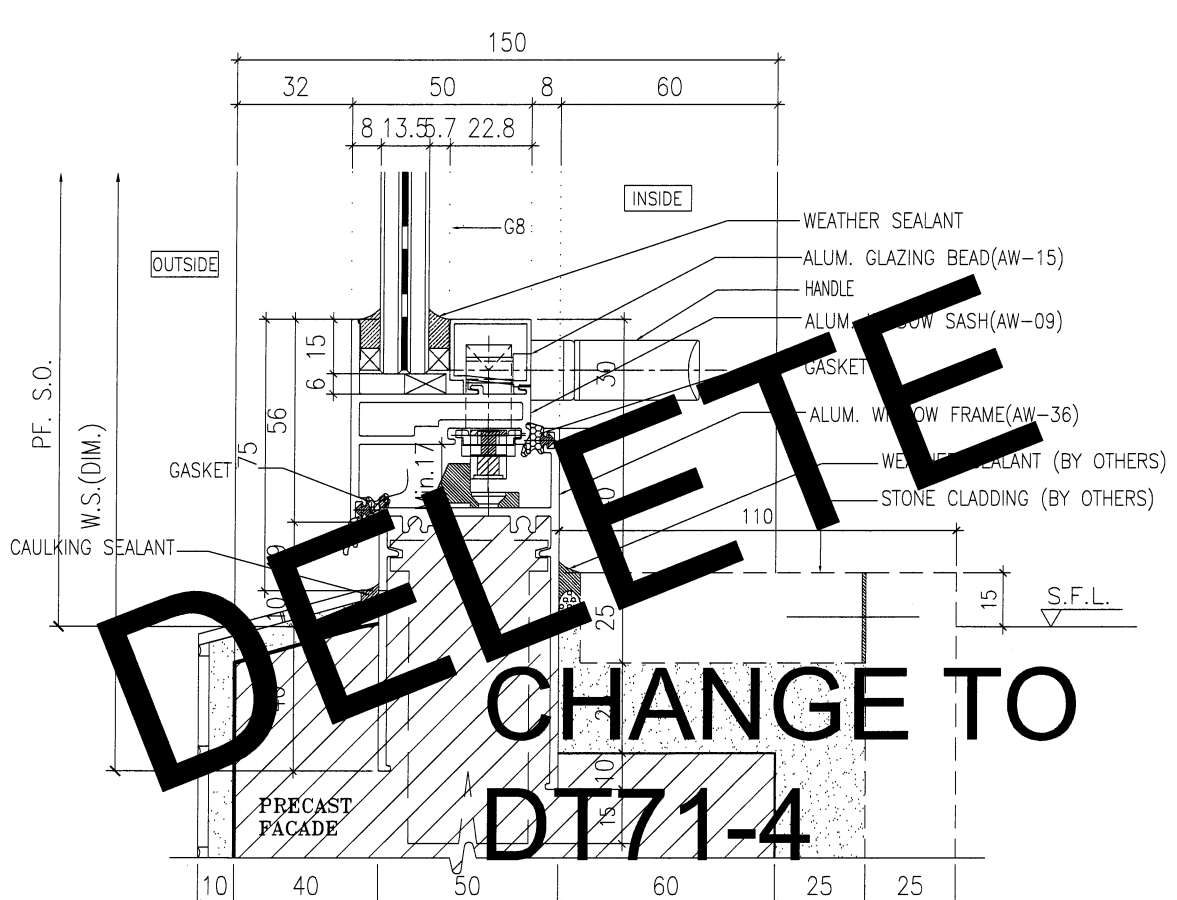
DRAWN BY : IVAN CHECKED BY :

英特鋁質有限公司
MIDI ALUMINIUM FABRICATOR LTD.
 Units 6-8, Sunray Industrial Centre, 1/F
 610 Cha Kwo Ling Road, Kowloon
 Tel:23489211-4 Fax:(852)27727666

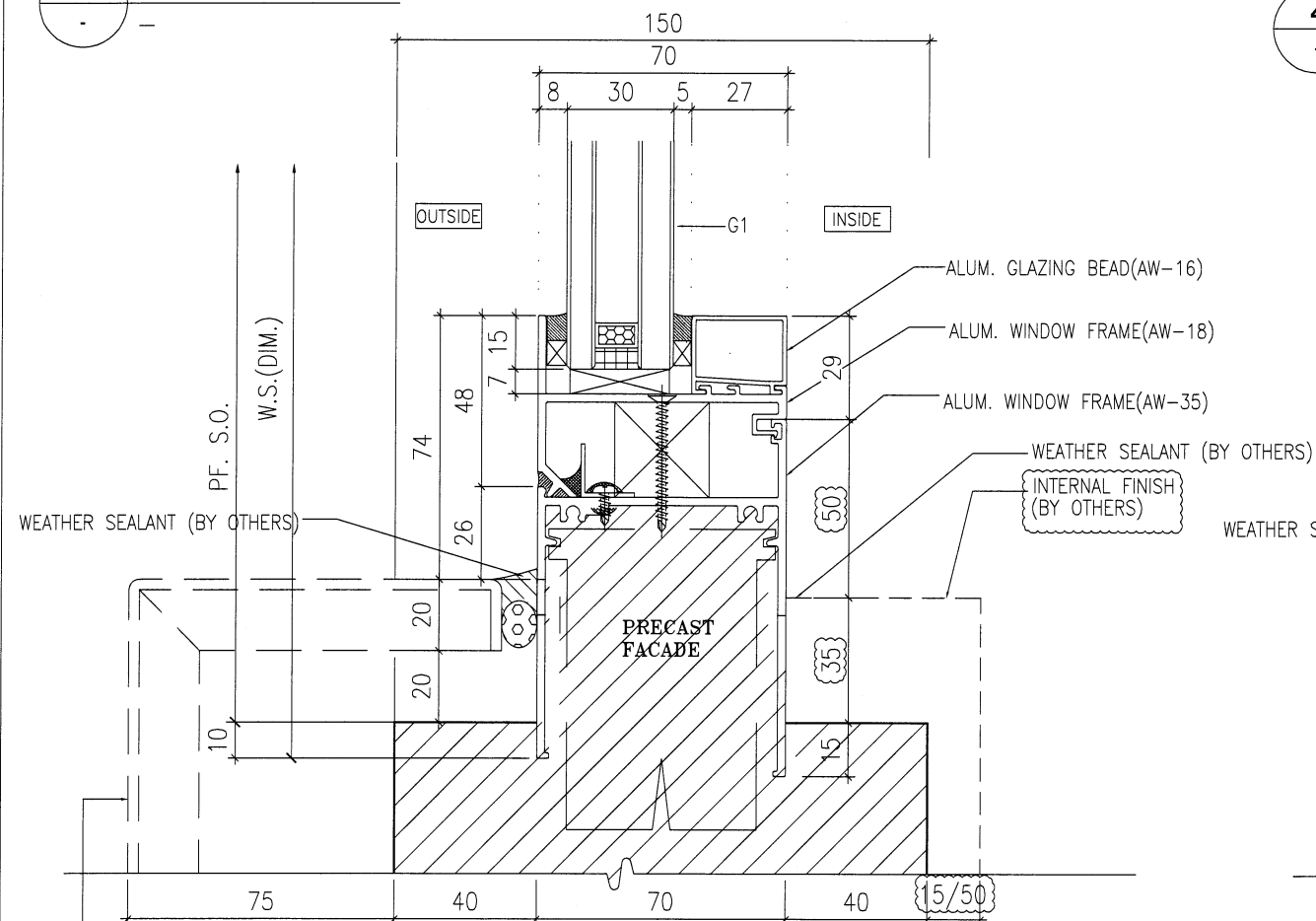
DWG NO. : J859-SD-PW-DT84a REV. : -



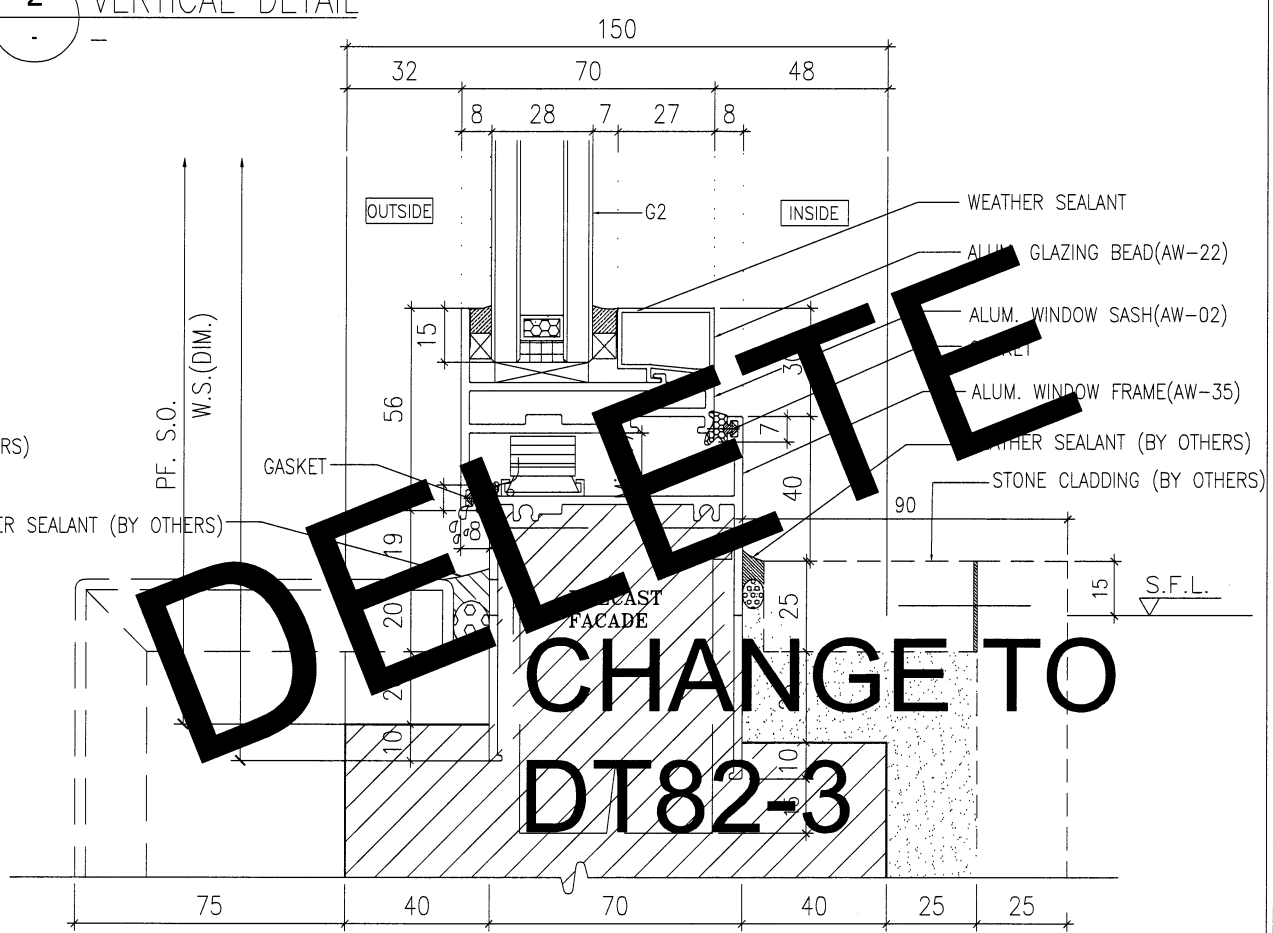
1 VERTICAL DETAIL



2 VERTICAL DETAIL



3 VERTICAL DETAIL



4 VERTICAL DETAIL

B.D. REF :

ARCHITECT : **WT WONG TUNG & PARTNERS LIMITED ARCHITECTS & PLANNERS**

STRUCTURAL ENGINEER : **SUN HUNG KAI ARCHITECTS AND ENGINEERS LTD.**
SUN HUNG KAI CENTRE, WANCHAI, HONGKONG TEL. 28278111 FAX. 28272884

FACADE CONSULTANT : **α ALPHA CONSULTING LIMITED**
Steel Structure & Facade Specialist

MAIN CONTRACTOR : **Sanfield Engineering Construction Ltd.**

CLIENT : **SUN HUNG KAI REAL ESTATE AGENCY LTD.**
42/F SUN HUNG KAI CENTRE, WANCHAI, HONGKONG

NOTE :

- ALL DIMENSIONS ARE IN mm.
- ALL ELEVATIONS ARE VIEWED FROM OUTSIDE.
- ALL DIMENSIONS TO BE VERIFIED ON SITE BEFORE FABRICATION.

LEGEND :

x1 — DETAIL MARK NO.
x001 — REFER SHEET NO.

- F.F.L. — FINISHED FLOOR LEVEL
- S.F.L. — STRUCTURAL FLOOR LEVEL
- ⊗ — REVERSED DETAIL
- GLASS LEGEND

G1—8mmHS+12mm AIR GAP+10mmTP I.G.U.
G2—8mmHS+12mm AIR GAP+8mmTP I.G.U.
G2a—8mmHS+12mm AIR GAP+8mmTP+1.52PVB +6mm FEATURED GLASS (I.G.U.)
G8—6mm GREY HS+1.52PVB+6mm CLEAR HS

NO.	DATE	REVISION SUBJECT TO ARCH.COMMENT	BY
A	28/3/2022	REVISION SUBJECT TO ARCH.COMMENT	IAN

JOB NO. : J-859

PROJECT : PROPOSED RESIDENTIAL / COMMERCIAL DEVELOPMENT AT NKIL NO.6551 KAI TAK AREA 4C, SITE 3 KAI TAK, KOWLOON

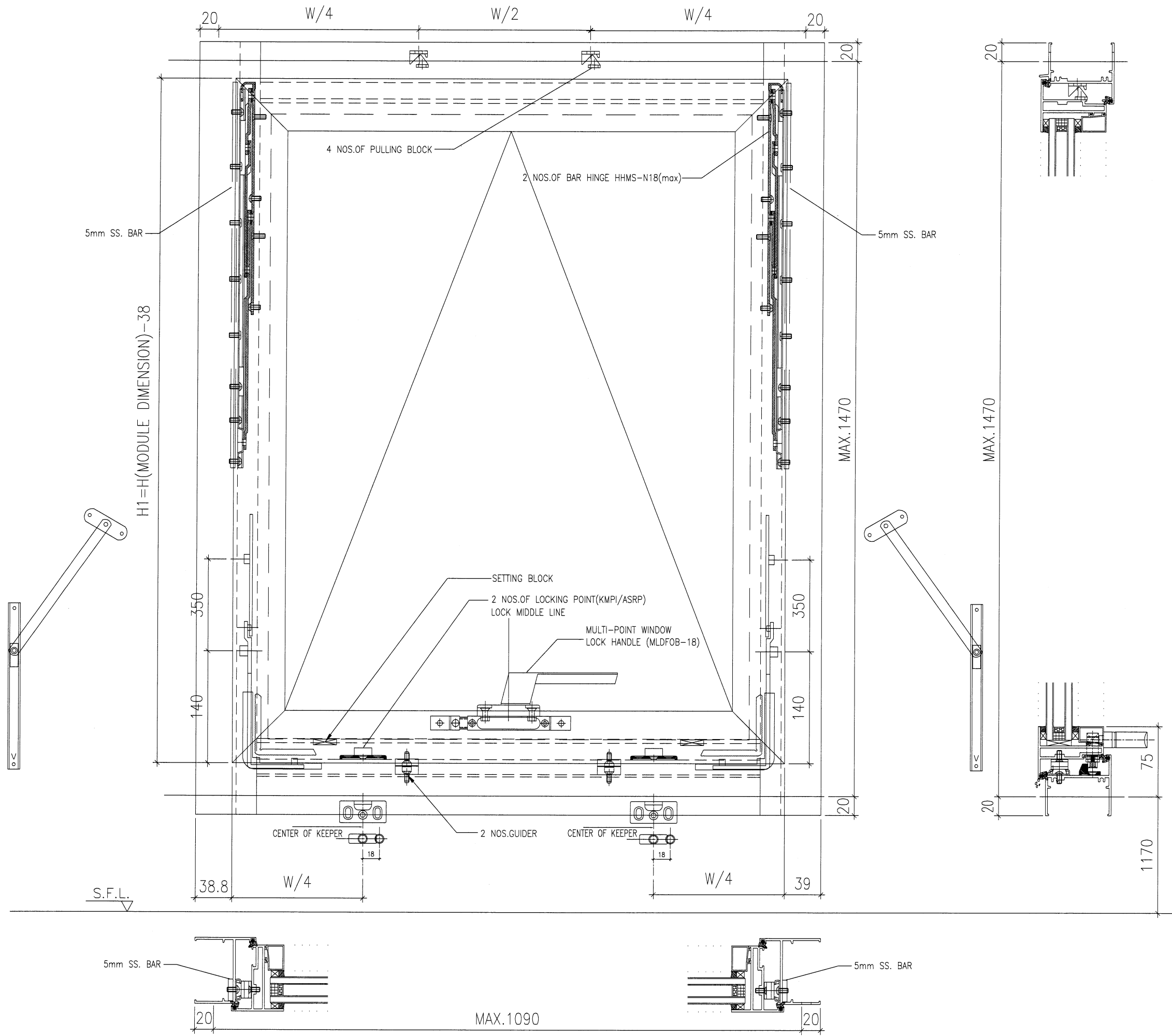
TITLE : TYPICAL DETAILS FOR ALUM. WINDOW

DATE : 10-Nov-21 SCALE : 1:2 (A3)

DRAWN BY : IVAN CHECKED BY :

美特鋁質有限公司
MIDI ALUMINUM FABRICATOR LTD.
Units 6-8, Sunray Industrial Centre, 1/F
610 Cha Kwo Ling Road, Kowloon
Tel:23489211-4 Fax:(852)2727666

DWG NO. : J859-SD-PW-DT85 REV. : A



B.D. REF :

ARCHITECT :
WT WONG TUNG & PARTNERS LIMITED
 ARCHITECTS & PLANNERS

STRUCTURAL ENGINEER :
SUN HUNG KAI
 ARCHITECTS AND ENGINEERS LTD.
 SUN HUNG KAI CENTRE, WANCHAI, HONGKONG
 TEL. 28278111 FAX. 28272884

FACADE CONSULTANT:
α ALPHA CONSULTING LIMITED
 Steel Structure & Facade Specialist

MAIN CONTRACTOR :
Sanfield Engineering
 Construction Ltd.

CLIENT :
SUN HUNG KAI
 REAL ESTATE AGENCY LTD.
 42/F SUN HUNG KAI CENTRE, WANCHAI, HONGKONG

NOTE :
 1. ALL DIMENSIONS ARE IN mm.
 2. ALL ELEVATIONS ARE VIEWED FROM OUTSIDE.
 3. ALL DIMENSIONS TO BE VERIFIED ON SITE BEFORE FABRICATION.

LEGEND :
 X1 — DETAIL MARK NO.
 X001 — REFER SHEET NO.
 1. F.F.L. — FINISHED FLOOR LEVEL
 2. S.F.L. — STRUCTURAL FLOOR LEVEL
 3. (R) — REVERSED DETAIL
 4. GLASS LEGEND
 G1—8mmHS+12mm AIR GAP+10mmTP I.G.U.
 G2—8mmHS+12mm AIR GAP+8mmTP I.G.U.
 G2a—8mmHS+12mm AIR GAP+8mmTP+1.52PVB+6mm FEATURED GLASS (I.G.U.)
 G6—6mm GREY HS+1.52PVB+6mm CLEAR HS

NO.	DATE	REVISED	BY

JOB NO. : J-859
 PROJECT : PROPOSED RESIDENTIAL / COMMERCIAL DEVELOPMENT AT NKIL NO.6551 KAI TAK AREA 4C, SITE 3 KAI TAK, KOWLOON

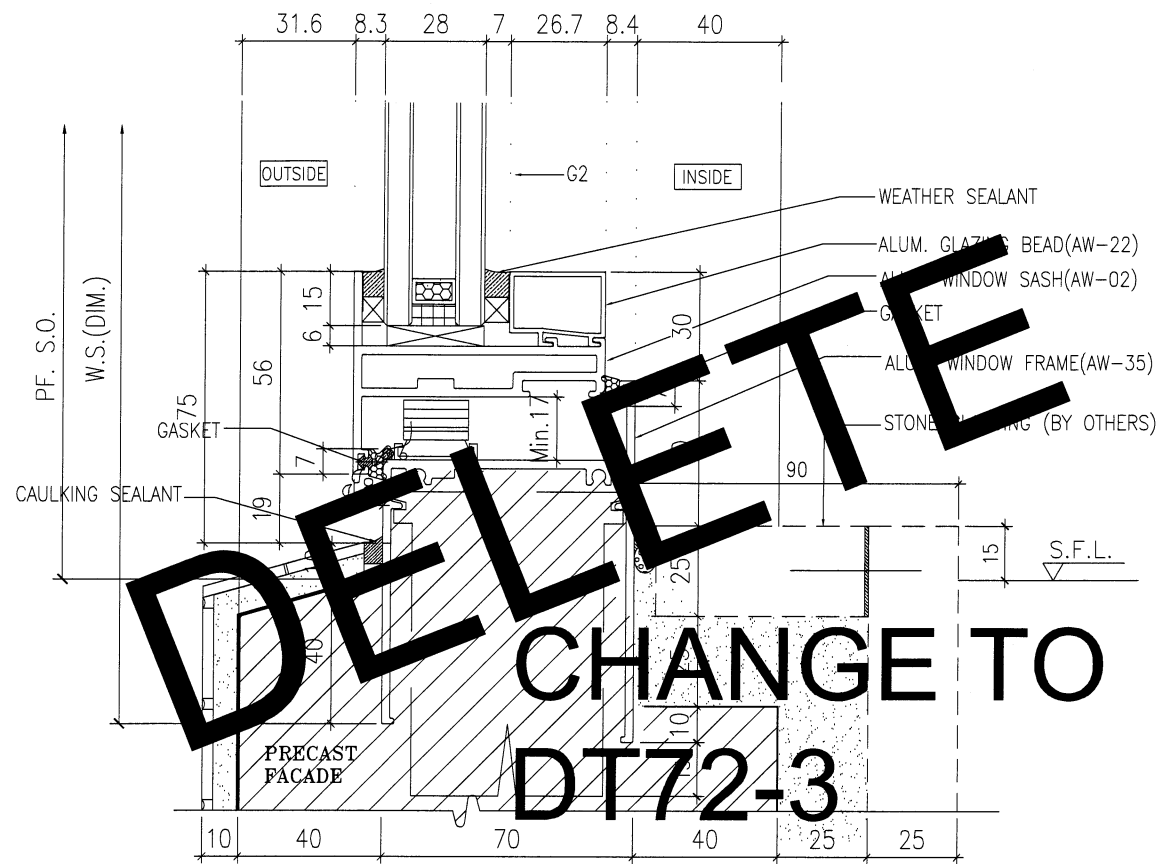
TITLE : TYPICAL ASSEMBLY DETAILS OF ALUM. WINDOW

DATE : 10-Nov-21 SCALE : 1:4 (A3)

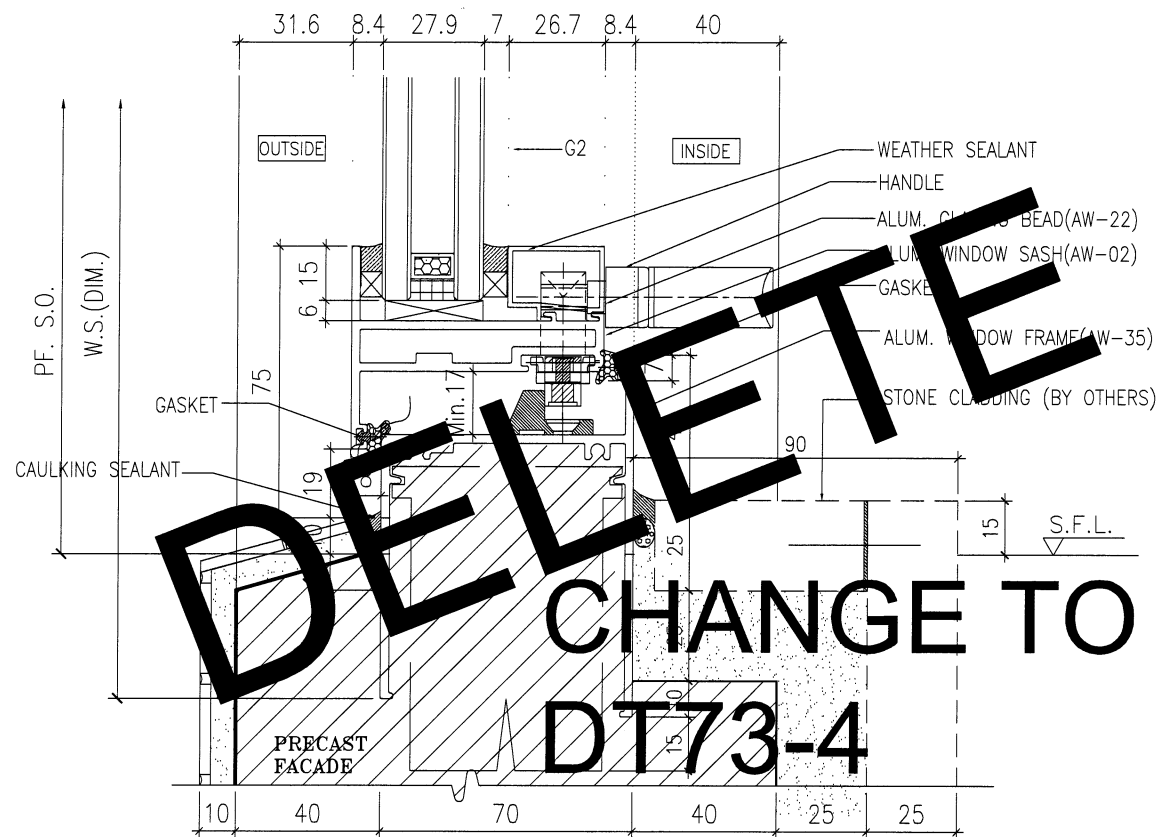
DRAWN BY : IVAN CHECKED BY :

美特鋁質有限公司
MIDI ALUMINIUM FABRICATOR LTD.
 Units 6-8, Sunray Industrial Centre, 1/F
 610 Cha Kwo Ling Road, Kowloon
 Tel:23489211-4 Fax:(852)2727666

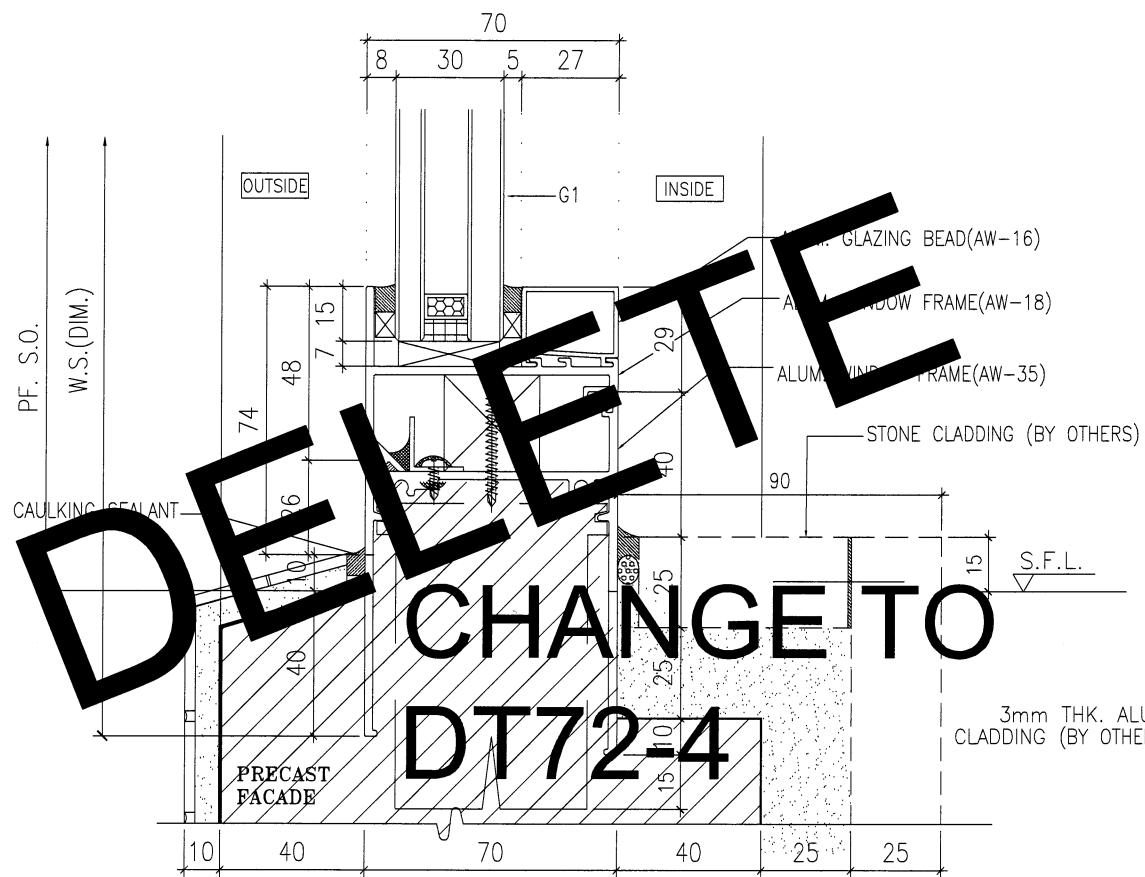
DWG NO. : J859-SD-PW-DT85a REV. : -



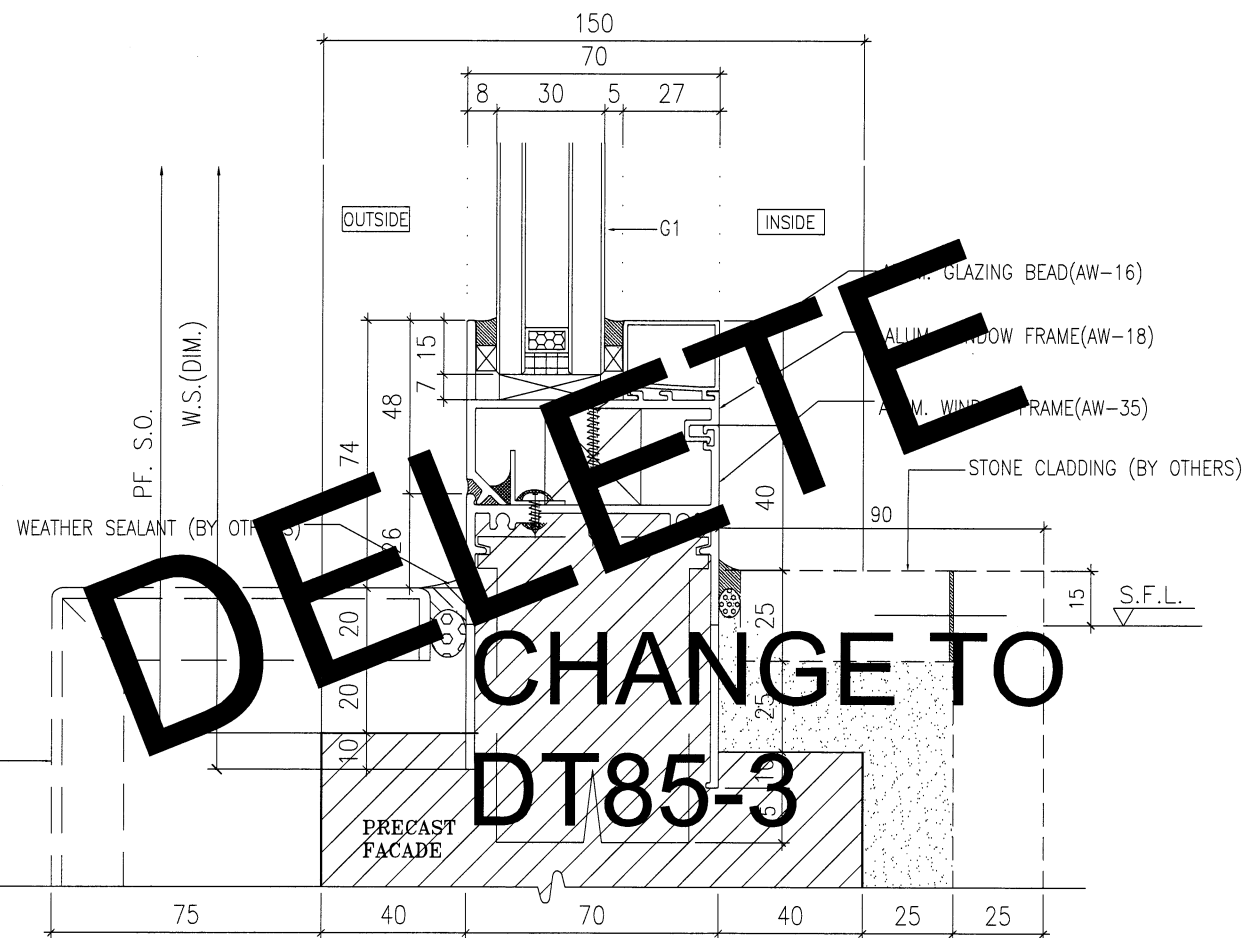
1 VERTICAL DETAIL



2 VERTICAL DETAIL



3 VERTICAL DETAIL



4 VERTICAL DETAIL

B.D. REF :

ARCHITECT :
WT WONG TUNG & PARTNERS LIMITED
 ARCHITECTS & PLANNERS

STRUCTURAL ENGINEER :
SUN HUNG KAI
 ARCHITECTS AND ENGINEERS LTD.
 SUN HUNG KAI CENTRE, WANCHAI, HONGKONG
 TEL. 28278111 FAX. 28272884

FAÇADE CONSULTANT:
α ALPHA CONSULTING LIMITED
 Steel Structure & Façade Specialist

MAIN CONTRACTOR :
Sanfield Engineering
 Construction Ltd.

CLIENT :
SUN HUNG KAI
 REAL ESTATE AGENCY LTD.
 42/F SUN HUNG KAI CENTRE, WANCHAI, HONGKONG

NOTE :
 1. ALL DIMENSIONS ARE IN mm.
 2. ALL ELEVATIONS ARE VIEWED FROM OUTSIDE.
 3. ALL DIMENSIONS TO BE VERIFIED ON SITE BEFORE FABRICATION.

LEGEND :
 X1 — DETAIL MARK NO.
 X001 — REFER SHEET NO.
 1. F.F.L. — FINISHED FLOOR LEVEL
 2. S.F.L. — STRUCTURAL FLOOR LEVEL
 3. (R) — REVERSED DETAIL
 4. GLASS LEGEND
 G1—8mmHS+12mm AIR GAP+10mmTP I.G.U.
 G2—8mmHS+12mm AIR GAP+8mmTP I.G.U.
 G2a—8mmHS+12mm AIR GAP+8mmTP+1.52PVB +6mm FEATURED GLASS (I.G.U.)
 G8—6mm GREY HS+1.52PVB+6mm CLEAR HS

NO.	DATE	REVISION SUBJECT TO ARCH.COMMENT	BY
A	28/3/2022		IVAN

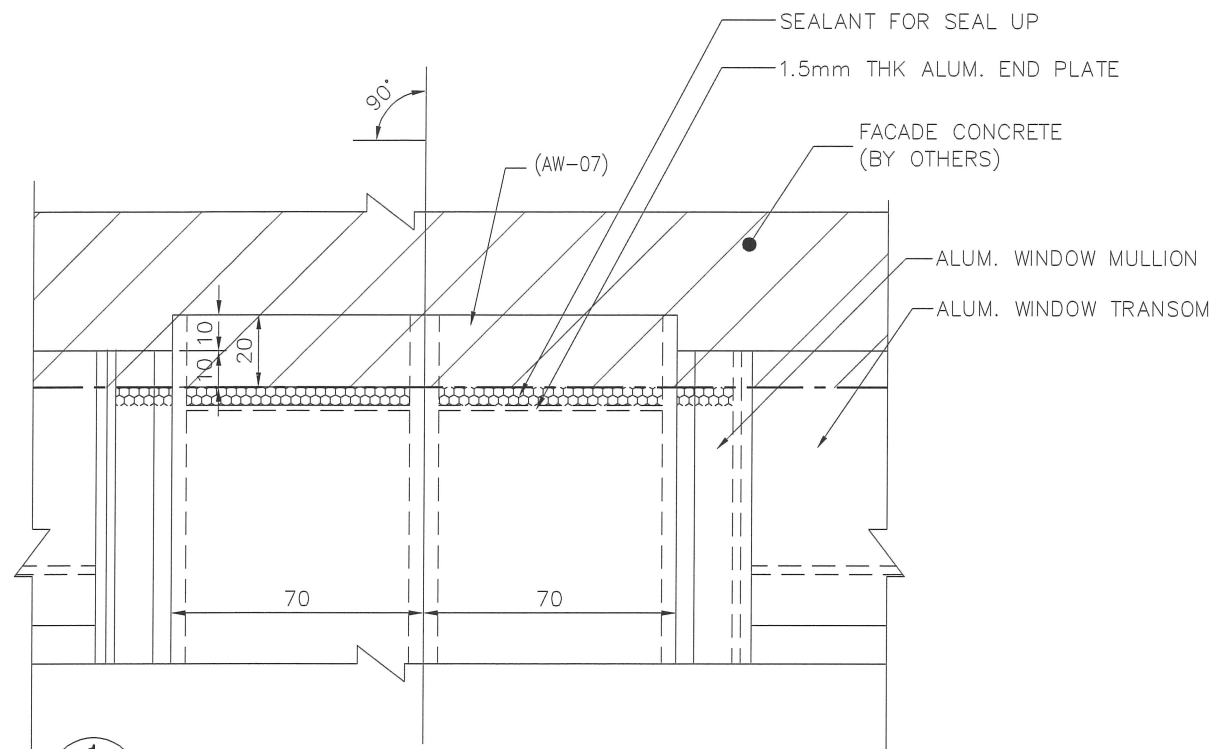
JOB NO. : J-859
 PROJECT : PROPOSED RESIDENTIAL / COMMERCIAL DEVELOPMENT AT NKIL NO.6551 KAI TAK AREA 4C, SITE 3 KAI TAK, KOWLOON

TITLE : TYPICAL DETAILS FOR ALUM. WINDOW

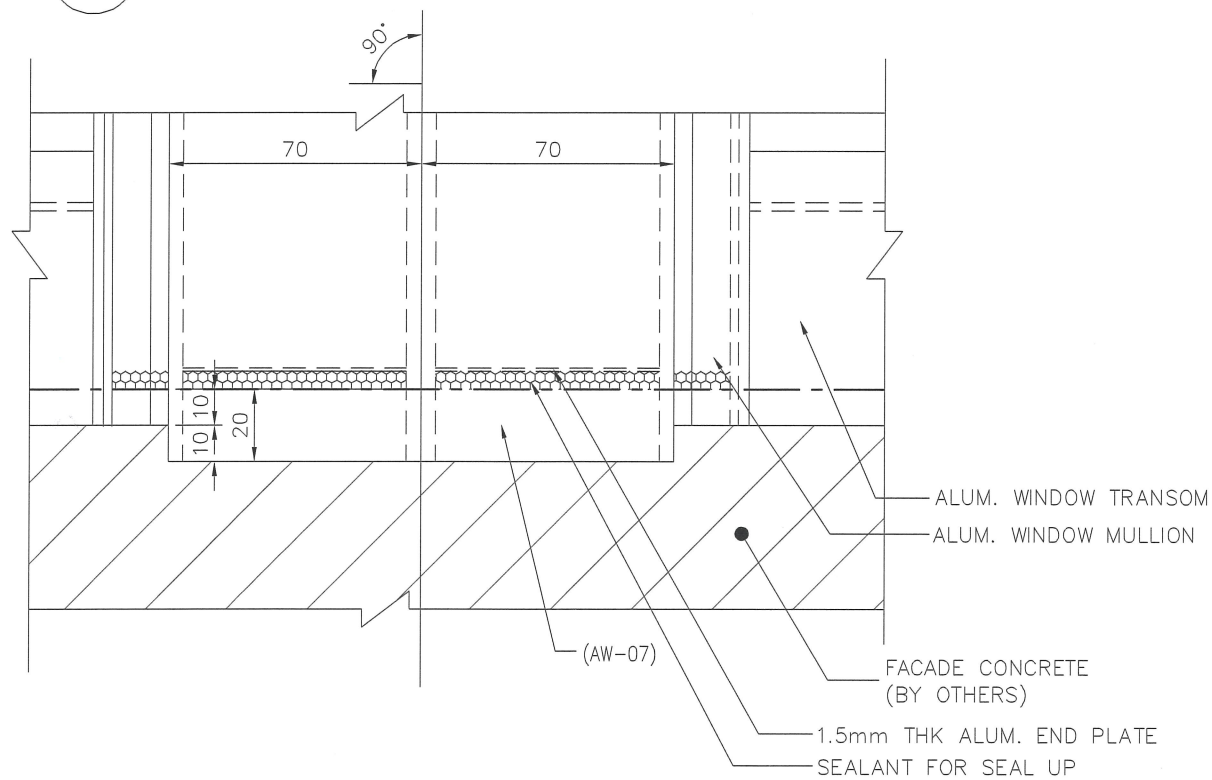
DATE : 10-Nov-21 SCALE : 1:2 (A3)
 DRAWN BY : IVAN CHECKED BY :

美特鋁質有限公司
MIDI ALUMINIUM FABRICATOR LTD.
 Units 6-8, Sunray Industrial Centre, 1/F
 610 Cha Kwo Ling Road, Kowloon
 Tel:23489211-4 Fax:(852)2772666

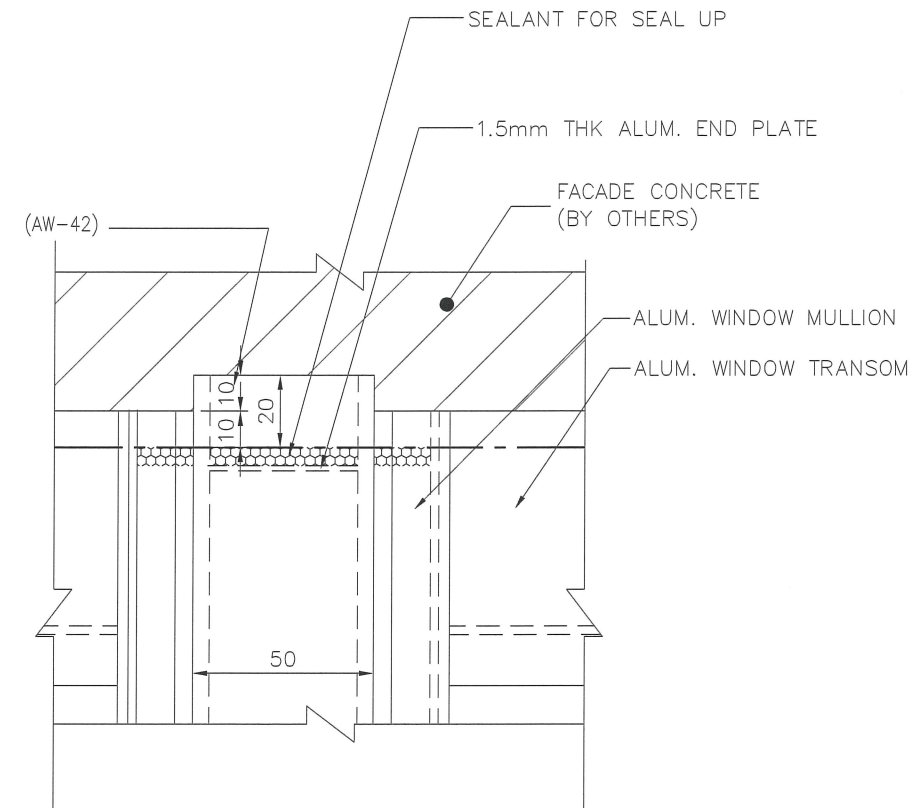
DWG NO. : J859-SD-PW-DT87 REV. : A



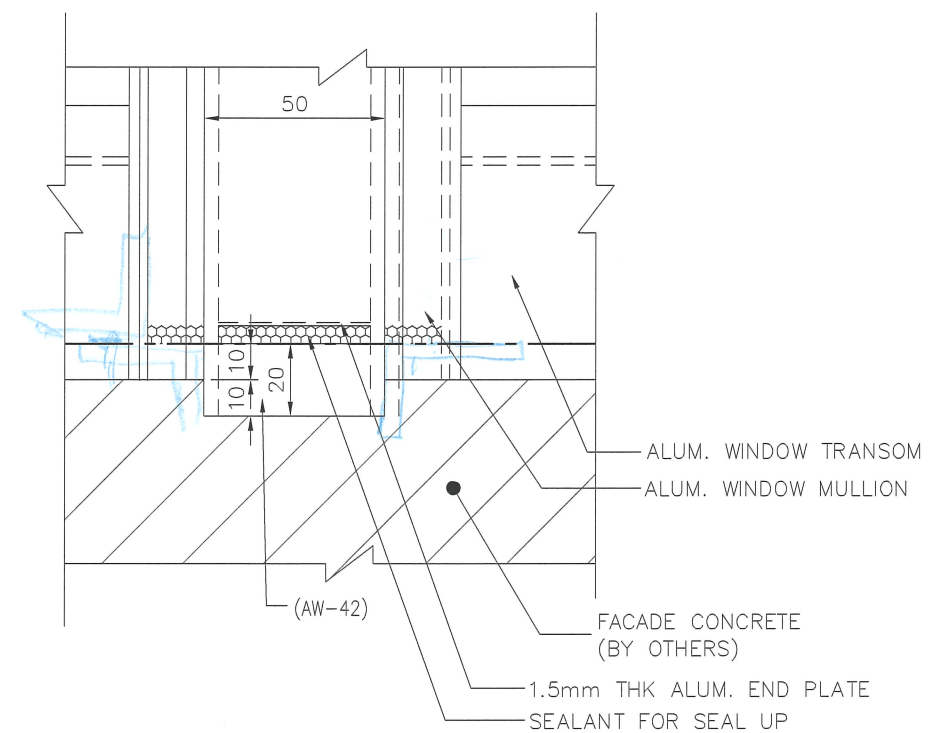
1 - DETAIL OF CORNER MULLION & FACADE CONCRETE CONNECTION



2 - DETAIL OF CORNER MULLION & FACADE CONCRETE CONNECTION



3 - DETAIL OF CORNER MULLION & FACADE CONCRETE CONNECTION



4 - DETAIL OF CORNER MULLION & FACADE CONCRETE CONNECTION

B.D. REF :

ARCHITECT :
WT WONG TUNG & PARTNERS LIMITED
 ARCHITECTS & PLANNERS

STRUCTURAL ENGINEER :
SUN HUNG KAI
 ARCHITECTS AND ENGINEERS LTD.
 SUN HUNG KAI CENTRE, WANCHAI, HONGKONG
 TEL. 28278111 FAX. 28272884

FACADE CONSULTANT:
α ALPHA CONSULTING LIMITED
 Steel Structure & Facade Specialist

MAIN CONTRACTOR :
Sanfield Engineering
 Construction Ltd.

CLIENT :
SUN HUNG KAI
 REAL ESTATE AGENCY LTD.
 42/F SUN HUNG KAI CENTRE, WANCHAI, HONGKONG

NOTE :
 1. ALL DIMENSIONS ARE IN mm.
 2. ALL ELEVATIONS ARE VIEWED FROM OUTSIDE.
 3. ALL DIMENSIONS TO BE VERIFIED ON SITE BEFORE FABRICATION.

LEGEND :
 X1 - DETAIL MARK NO.
 X001 - REFER SHEET NO.
 1. F.F.L. -- FINISHED FLOOR LEVEL
 2. S.F.L. -- STRUCTURAL FLOOR LEVEL
 3. (R) -- REVERSED DETAIL
 4. GLASS LEGEND
 G1-8mmHS+12mm AIR GAP+10mmTP I.G.U.
 G2-8mmHS+12mm AIR GAP+8mmTP I.G.U.
 G2a-8mmHS+12mm AIR GAP+8mmTP+1.52PVB +6mm FEATURED GLASS (I.G.U.)
 G8-6mm GREY HS+1.52PVB+6mm CLEAR HS

NO.	DATE	REVISED	BY

JOB NO. : J-859
 PROJECT : PROPOSED RESIDENTIAL / COMMERCIAL DEVELOPMENT AT NKIL NO.6551 KAI TAK AREA 4C, SITE 3 KAI TAK, KOWLOON

TITLE : TYPICAL DETAILS FOR ALUM. WINDOW

DATE : 10-Nov-21 SCALE : 1:2 (A3)

DRAWN BY : IVAN CHECKED BY :

英特鋁質有限公司
MIDI ALUMINIUM FABRICATOR LTD.
 Units 6-8, Sunray Industrial Centre, 1/F
 610 Cha Kwo Ling Road, Kowloon
 Tel:23489211-4 Fax:(852)27727666

DWG NO. : J859-SD-PW-DT88 REV. : -