



工程指示 / 要求簡箋(E.I.)

工程指示編號：EI / 4109 / 21 修改版次：-  
 工程編號：J - 859 工程名稱：啟德 6551  
 工程項目：大貨拆圖報價 (佛沙窗, 後裝窗, FD門, 趟門)  
 收件人：青哥 / 生統 / 謝永林 發件人：Eric Liu 日期：03/12/2021

要求提供 / 確認 事項：

- |                                    |                                     |                               |
|------------------------------------|-------------------------------------|-------------------------------|
| <input type="checkbox"/> 初步鋁料 B.M. | <input type="checkbox"/> 加工拆圖，然後生產  | <input type="checkbox"/> 尺寸表  |
| <input type="checkbox"/> 正式鋁料 B.M. | <input type="checkbox"/> 技術上資料 / 指示 | <input type="checkbox"/> 報價   |
| <input type="checkbox"/> 配件 B.M.   | <input type="checkbox"/> 樣辦或貨品說明書   | <input type="checkbox"/> 分判合約 |

內容：

現提供 J859 項目大圖，請為拆圖報價

- 1) 包括佛沙窗, 後裝窗, FD 門, 趟門
- 2) 佛沙窗大圖分 T7-T9, T3-T6, T1-T2 , T7-T9 優先處理
- 3) 其餘未有大圖，先提供則師 window schedule 供報價用
- 4) 鋁料使用與 J856 天榮項目同樣模具，配件同樣為立興配件

謝謝

請在 2021.12.06 前完成上列要求。

附：

以上項目為：

- 原合約工程包                       原合約工程加 / 減賬                       新工程報價

原因：-

分發東莞各部門：

- ( ) 生產技術總監  連附件     技術部  連附件  生產部  連附件    ( ) 機械設計部  連附件  
 ( ) 採購部  連附件     生產統籌部  連附件    ( ) 小羅 & 清  連附件  
 ( ) 質檢部  連附件    ( ) 會計部  連附件    ( ) 報關組  連附件    ( ) 其他  青哥  連附件

分發其他分判：

- ( ) 水洪  連附件

分發香港各部門：

- ( ) 行政部  連附件    ( ) 會計部  連附件    ( ) 統籌部  連附件    ( ) 工程部地盤科文  連附件  
 ( ) 採購部  連附件    ( ) QS 部  連附件    ( ) 維修部  連附件    ( ) 其他 \_\_\_\_\_  連附件

傳遞編號：

HK 2223 / 21

發件人簽署：

項目經理簽署：

**PROJECT :**

2

**PROPOSED RESIDENTIAL / COMMERCIAL  
DEVELOPMENT AT NKIL NO.6551 KAI  
TAK AREA 4C, SITE 3  
KAI TAK, KOWLOON**

**SHOPDRAWING SUBMISSION FOR  
PRE-CAST ALUM. WINDOW & LOUVRE  
(TOWER 7, TOWER 8, TOWER 9 / 9A)  
DATE : 29 - Nov. - 2021**



**美特鋁質有限公司**  
MIDI ALUMINIUM FABRICATOR LTD.

Units 6-8, Sunray Industrial Centre, 1/F  
610 Cha Kwo Ling Road, Kowloon  
Tel:23489211-4 Fax:(852)27727666

DWG NO. : J859-SD-PW-0000

REV. : -


# DRAWING SUBMISSION REGISTER

NO.	DRAWING TITLE	DWG. NO.	DATE OF ISSUE			SUBMISSION STATE (FOR B.D./A.S.D)			SUBMISSION STATE (FOR CLIENT / CONSULTANT)			SUBMISSION STATE (FOR ARCHITECT)			FABRICATION / CONSTRUCTION STATE			
			ISSUE	DAY	MONTH	YEAR	AP - APPROVED	AC - APPROVED SUB. TO CONDITION	NA - NOT APPROVED	AP - APPROVED	AC - APPROVED SUB. TO CONDITION	NA - NOT APPROVED	AP - APPROVED	AC - APPROVED SUB. TO CONDITION	NA - NOT APPROVED	ISSUE TO CHINA OFFICE	ISSUE TO SITE	ISSUE TO SUB-CONTRACTOR
01	COVER PAGE	J859-SD-PW-0000	1	2														
02	DRAWING REGISTER	J859-SD-PW-0001	18	29														
03	DIE LIST FOR ALUM. WINDOW	J859-SD-PW-1101	11	11														
04	DIE LIST FOR ALUM. WINDOW	J859-SD-PW-1101	-	-														
05	2~26/F WINDOW LOCATION PLAN FOR PRECAST FACADE AT TOWER 7	J859-SD-PL-701	-	-														
06	27/F WINDOW LOCATION PLAN FOR PRECAST FACADE AT TOWER 7	J859-SD-PL-702	-	-														
07	28/F WINDOW LOCATION PLAN FOR PRECAST FACADE AT TOWER 7	J859-SD-PL-703	-	-														
08	2~8/F WINDOW LOCATION PLAN FOR PRECAST FACADE AT TOWER 8	J859-SD-PL-801	-	-														
09	9~26/F WINDOW LOCATION PLAN FOR PRECAST FACADE AT TOWER 8	J859-SD-PL-802	-	-														
10	27/F WINDOW LOCATION PLAN FOR PRECAST FACADE AT TOWER 8	J859-SD-PL-803	-	-														
11	28/F WINDOW LOCATION PLAN FOR PRECAST FACADE AT TOWER 8	J859-SD-PL-804	-	-														
12	2~8/F WINDOW LOCATION PLAN FOR PRECAST FACADE AT TOWER 9 / 9A	J859-SD-PL-901	-	-														
13	9~25/F WINDOW LOCATION PLAN FOR PRECAST FACADE AT TOWER 9 / 9A	J859-SD-PL-902	-	-														
14	26/F WINDOW LOCATION PLAN FOR PRECAST FACADE AT TOWER 9 / 9A	J859-SD-PL-903	-	-														
15	27/F WINDOW LOCATION PLAN FOR PRECAST FACADE AT TOWER 9 / 9A	J859-SD-PL-904	-	-														
16	WINDOW SCHEDULE FOR PRECAST FACADE AT TOWER 7	J859-SD-PW-7101	-	A														
17	WINDOW SCHEDULE FOR PRECAST FACADE AT TOWER 8	J859-SD-PW-8101	-	A														
18	WINDOW SCHEDULE FOR PRECAST FACADE AT TOWER 9	J859-SD-PW-9101	-	A														
19	WINDOW SCHEDULE FOR PRECAST FACADE AT TOWER 9	J859-SD-PW-9102	-	A														
20	WINDOW SCHEDULE FOR PRECAST FACADE AT TOWER 9	J859-SD-PW-9103	-	A														
21	TYPICAL DETAILS FOR ALUM. WINDOW	J859-SD-PW-0161	-	-														
22	TYPICAL DETAILS FOR ALUM. WINDOW	J859-SD-PW-0162	-	-														
23	TYPICAL DETAILS FOR ALUM. WINDOW	J859-SD-PW-0163	-	-														
24	TYPICAL DETAILS FOR ALUM. WINDOW	J859-SD-PW-0164	-	-														
25	TYPICAL DETAILS FOR ALUM. WINDOW	J859-SD-PW-0165	-	-														
26	TYPICAL DETAILS FOR ALUM. WINDOW	J859-SD-PW-0171	-	-														
27	TYPICAL DETAILS FOR ALUM. WINDOW	J859-SD-PW-0172	-	-														
28	TYPICAL DETAILS FOR ALUM. WINDOW	J859-SD-PW-0173	-	-														
29	TYPICAL DETAILS FOR ALUM. WINDOW	J859-SD-PW-0174	-	-														
30	TYPICAL DETAILS FOR ALUM. WINDOW	J859-SD-PW-0175	-	-														
31	ALUM. WINDOW SECTION TYPICAL LOCK & HINGERS DETAIL	J859-SD-PW-0181	-	-														
32	ALUM. WINDOW SECTION TYPICAL LOCK & HINGERS DETAIL	J859-SD-PW-0182	-	-														
33	TYPICAL EARTHING BONDING DETAILS OF PRECAST	J859-SD-PW-0183	-	-														
34	G.M.S FIXING LUG TYPICAL DETAIL FOR ALUM. WINDOW	J859-SD-PW-0184	-	-														
35	TYPICAL EARTHING BONDING DETAILS OF PRECAST	J859-SD-PW-0185	-	-														
36	TYPICAL EARTHING BONDING DETAILS OF PRECAST	J859-SD-PW-0186	-	-														
37																		
38																		
39																		
40																		
41																		
42																		
43																		
44																		
45																		
46																		
47																		
48																		

B.O. REF. :

**PROJECT:**  
**PROPOSED RESIDENTIAL / COMMERCIAL DEVELOPMENT**  
**AT NKIL NO. 6551 KAI TAK AREA 4C, SITE 3**  
**KAI TAK, KOWLOON**

**TITLE:**  
**SHOPDRAWING SUBMISSION FOR**  
**PRE-CAST ALUM. WINDOW & LOUVRE**

**ARCHITECT :**  
  
**WONG TUNG & PARTNERS LIMITED**  
 ARCHITECTS & PLANNERS

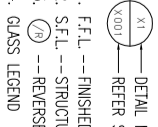
**STRUCTURAL ENGINEER :**  
  
**SUN HUNG KAI ARCHITECTS AND ENGINEERS LTD.**  
 SUN HUNG KAI CENTRE, WANCHAI, HONGKONG  
 TEL. 28278111 FAX. 28272854

**FAÇADE CONSULTANT:**  
  
**ALPHA CONSULTING LIMITED**  
 Steel Structure & Façade Specialist

**MAIN CONTRACTOR :**  
**Sanfield Engineering**  
 Construction Ltd.

**CLIENT :**  
  
**SUN HUNG KAI REAL ESTATE AGENCY LTD.**  
 42/F SUN HUNG KAI CENTRE, WANCHAI, HONGKONG

**NOTE :**  
 1. ALL DIMENSIONS ARE IN mm.  
 2. ALL ELEVATIONS ARE VIEWED FROM OUTSIDE.  
 3. ALL DIMENSIONS TO BE VERIFIED ON SITE BEFORE FABRICATION.  
**LEGEND :**

**LEGEND :**  
  
 1. F.F.L.--FINISHED FLOOR LEVEL  
 2. S.F.L.--STRUCTURAL FLOOR LEVEL  
 3. (R) --REVERSED DETAIL  
 4. GLASS LEGEND  
 G1--6mmHS+12mm AIR GAP+10mmTP THK. LG.U.  
 G2--6mmHS+12mm AIR GAP+8mmTP THK. LG.U.  
 G3--6mm CRYS.TAL GREY TP+1.52PW+6mm CLEAR TP

NO.	DATE	REVISION	BY


**JOB NO. :** J-859

**PROJECT :**  
 PROPOSED RESIDENTIAL / COMMERCIAL DEVELOPMENT AT NKIL NO.6551 KAI TAK AREA 4C, SITE 3  
 KAI TAK, KOWLOON

**TITLE :**  
 DRAWING LIST OF PRE-CAST ALUM. WINDOW (TOWER 7, TOWER 8, TOWER 9 / 9A)

**DATE :** 15-Nov-21      **SCALE :** 1:2 (A3)

**DRAWN BY :** LHR      **CHECKED BY :**

  
**MIDI ALUMINIUM FABRICATOR LTD.**  
 Units 6-8, Sunco Industrial Centre, 1/F  
 610 Cho Kwo Ling Road, Kowloon  
 Tel:23489211-4 Fax:18527272666  
**DWG NO. :** J859-SD-PW-0001      **REV. :** -



ARCHITECT :

STRUCTURAL ENGINEER :  
**SUN HUNG KAI**  
 ARCHITECTS AND ENGINEERS LTD.  
 SUN HUNG KAI CENTRE, WANCHAI, HONGKONG  
 TEL: 28278111 FAX: 28272894

FAÇADE CONSULTANT:  
**ALPHA CONSULTING LIMITED**  
 Steel Structure & Façade Specialist

MAIN CONTRACTOR :  
**Sanfield Engineering**  
 Construction Ltd.

CLIENT :  
**SUN HUNG KAI**  
 REAL ESTATE AGENCY LTD.  
 42/F SUN HUNG KAI CENTRE, WANCHAI, HONGKONG

NOTE:  
 1. ALL DIMENSIONS ARE IN mm.  
 2. ALL ELEVATIONS ARE VIEWED FROM OUTSIDE.  
 3. ALL DIMENSIONS TO BE VERIFIED ON SITE BEFORE FABRICATION.

LEGEND:  
 (X1) DETAIL MARK NO.  
 (X001) REFER SHEET NO.

1. F.F.L. -- FINISHED FLOOR LEVEL
  2. S.F.L. -- STRUCTURAL FLOOR LEVEL
  3. (R) -- REVERSED DETAIL
  4. GLASS LEGEND
- G1--8mmHS+12mm AIR GAP+10mmTP THK. LG.U.  
 G2--8mmHS+12mm AIR GAP+8mmTP THK. LG.U.  
 G8--6mm CRYSTAL GREY TP+1.52PB+6mm CLEAR TP

NO.	DATE	REVISION	BY

JOB NO. : J-859

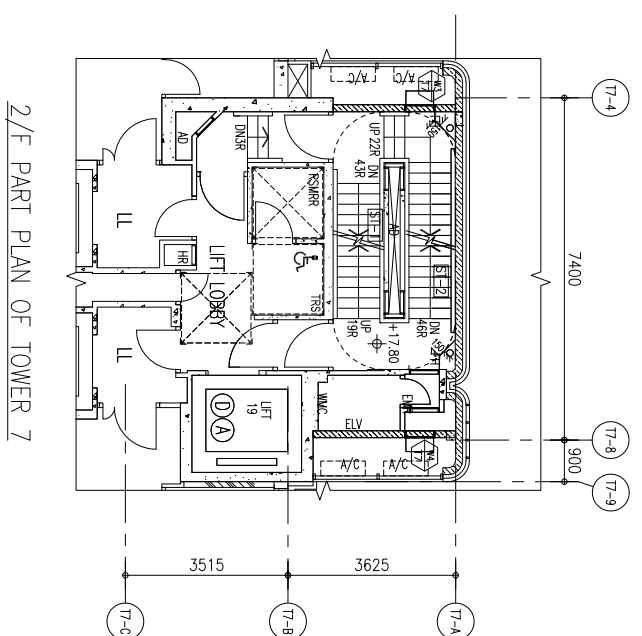
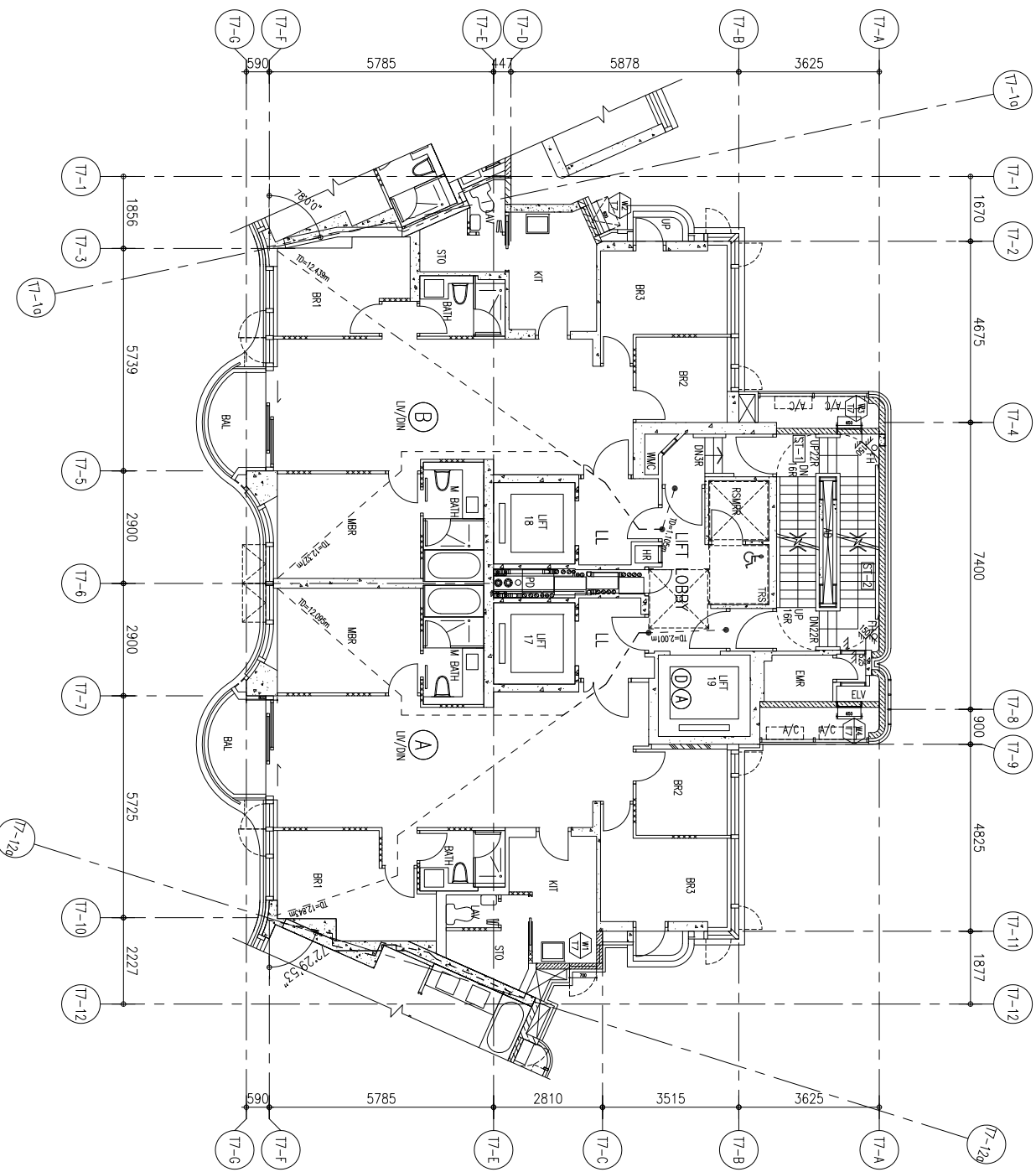
PROJECT : PROPOSED RESIDENTIAL / COMMERCIAL DEVELOPMENT AT NKIL NO.6551 KAI TAK AREA 4C, SITE 3 KAI TAK, KOWLOON

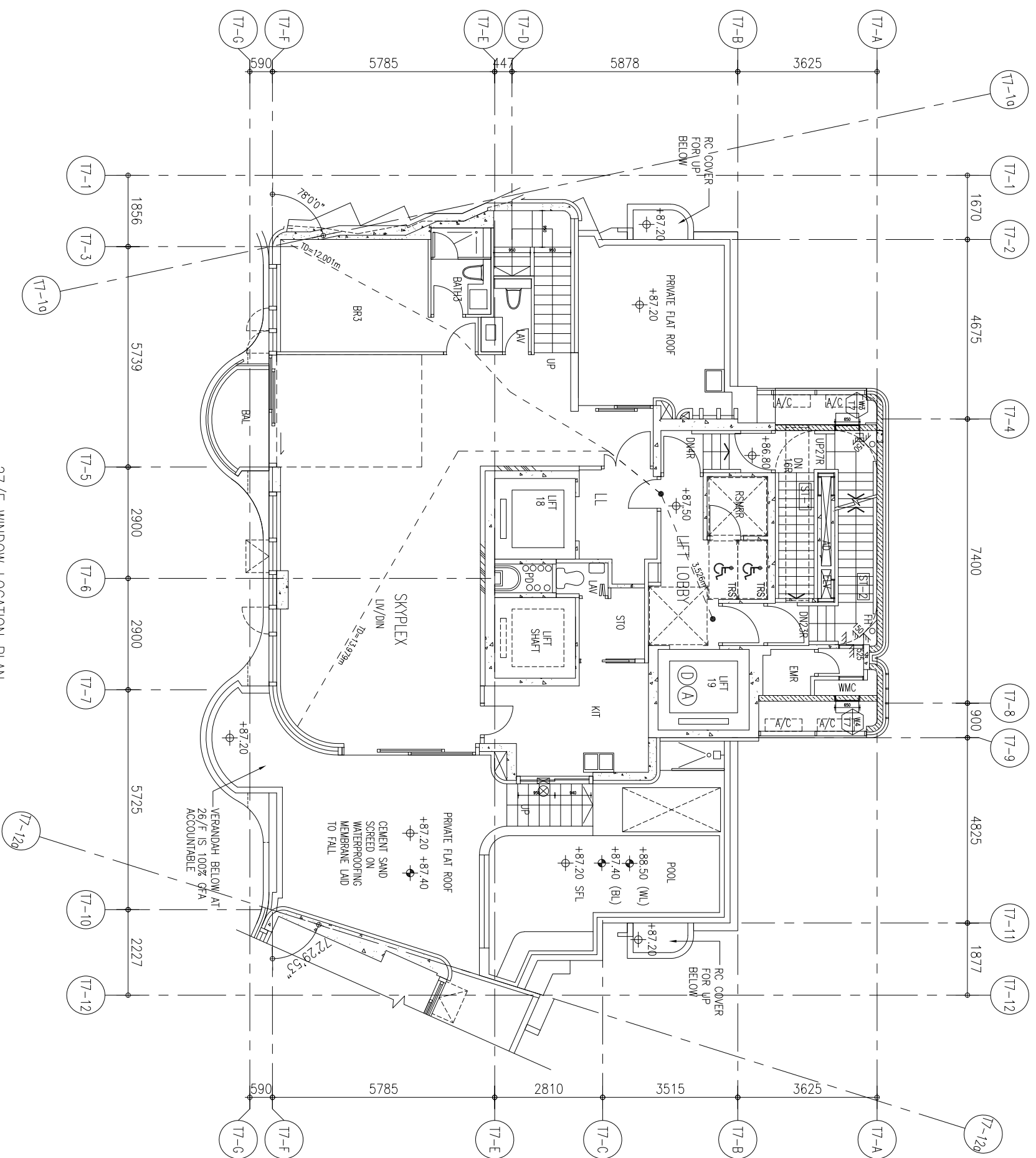
TITLE : 2~26/F WINDOW LOCATION PLAN FOR PRECAST FACADE AT TOWER 7

DATE : 14-Nov-21 SCALE : 1:80 (A3)

DRAWN BY : LHR CHECKED BY :

**美特經貿有限公司**  
 MIDT ALUMINIUM FABRICATOR LTD.  
 Units 6-8, Sunray Industrial Centre, 1/F  
 610 Cho Kwong Road, Kowloon  
 Tel: 23489211-4 Fax: (852) 27277866  
 DWG NO. : J859-SD-PL-701 REV. : -





27/F WINDOW LOCATION PLAN  
FOR PRECAST FACADE AT TOWER 7

ARCHITECT :  
**WONG TUNG & PARTNERS LIMITED**  
ARCHITECTS & PLANNERS

STRUCTURAL ENGINEER :  
**SUN HUNG KAI**  
ARCHITECTS AND ENGINEERS LTD.  
SUN HUNG KAI CENTRE, WANCHAI, HONGKONG  
TEL: 28278111 FAX: 28272894

FAÇADE CONSULTANT:  
**ALPHA CONSULTING LIMITED**  
Steel Structure & Façade Specialist

MAIN CONTRACTOR :  
**Sanfield Engineering Construction Ltd.**

CLIENT :  
**SUN HUNG KAI**  
REAL ESTATE AGENCY LTD.  
42/F SUN HUNG KAI CENTRE, WANCHAI, HONGKONG

NOTE:  
1. ALL DIMENSIONS ARE IN mm.  
2. ALL ELEVATIONS ARE VIEWED FROM OUTSIDE.  
3. ALL DIMENSIONS TO BE VERIFIED ON SITE BEFORE FABRICATION.

LEGEND:  
X1 --- DETAIL MARK NO.  
X001 --- REFER SHEET NO.

1. F.F.L. --- FINISHED FLOOR LEVEL
  2. S.F.L. --- STRUCTURAL FLOOR LEVEL
  3. (R) --- REVERSED DETAIL
  4. GLASS LEGEND
- G1 --- 6mmHS+12mm AIR GAP+10mmTP THK. I.G.U.  
G2 --- 6mmHS+12mm AIR GAP+6mmTP THK. I.G.U.  
G8 --- 6mm CRYSSTAL GREY TP+1.52PVB+6mm CLEAR TP

NO.	DATE	REVISION	BY

JOB NO. : J-859

PROJECT : PROPOSED RESIDENTIAL / COMMERCIAL DEVELOPMENT AT NKIL NO.6551 KAI TAK AREA 4C, SITE 3 KAI TAK, KOWLOON

TITLE : 27/F WINDOW LOCATION PLAN FOR PRECAST FACADE AT TOWER 7

DATE : 14-Nov-21 SCALE : 1:60 (A3)

DRAWN BY : LHR CHECKED BY :

**美特經貿有限公司**  
MIDI Aluminium Fabricator Ltd.  
Units 6-8, Sunray Industrial Centre, 1/F  
610 Chee Kwong Road, Kowloon  
Tel: 23489211-4 Fax: (852) 27277866

DWG NO. : J859-SD-PL-702 REV. : -

ARCHITECT :  
**WONG TUNG & PARTNERS LIMITED**  
 ARCHITECTS & PLANNERS

STRUCTURAL ENGINEER :  
**SUN HUNG KAI**  
 ARCHITECTS AND ENGINEERS LTD.  
 SUN HUNG KAI CENTRE, WANCHAI, HONGKONG  
 TEL: 28278111 FAX: 28272894

FAÇADE CONSULTANT:  
**ALPHA CONSULTING LIMITED**  
 Steel Structure & Façade Specialist

MAIN CONTRACTOR :  
**Sanfield Engineering**  
 Construction Ltd.

CLIENT :  
**SUN HUNG KAI**  
 REAL ESTATE AGENCY LTD.  
 42/F SUN HUNG KAI CENTRE, WANCHAI, HONGKONG

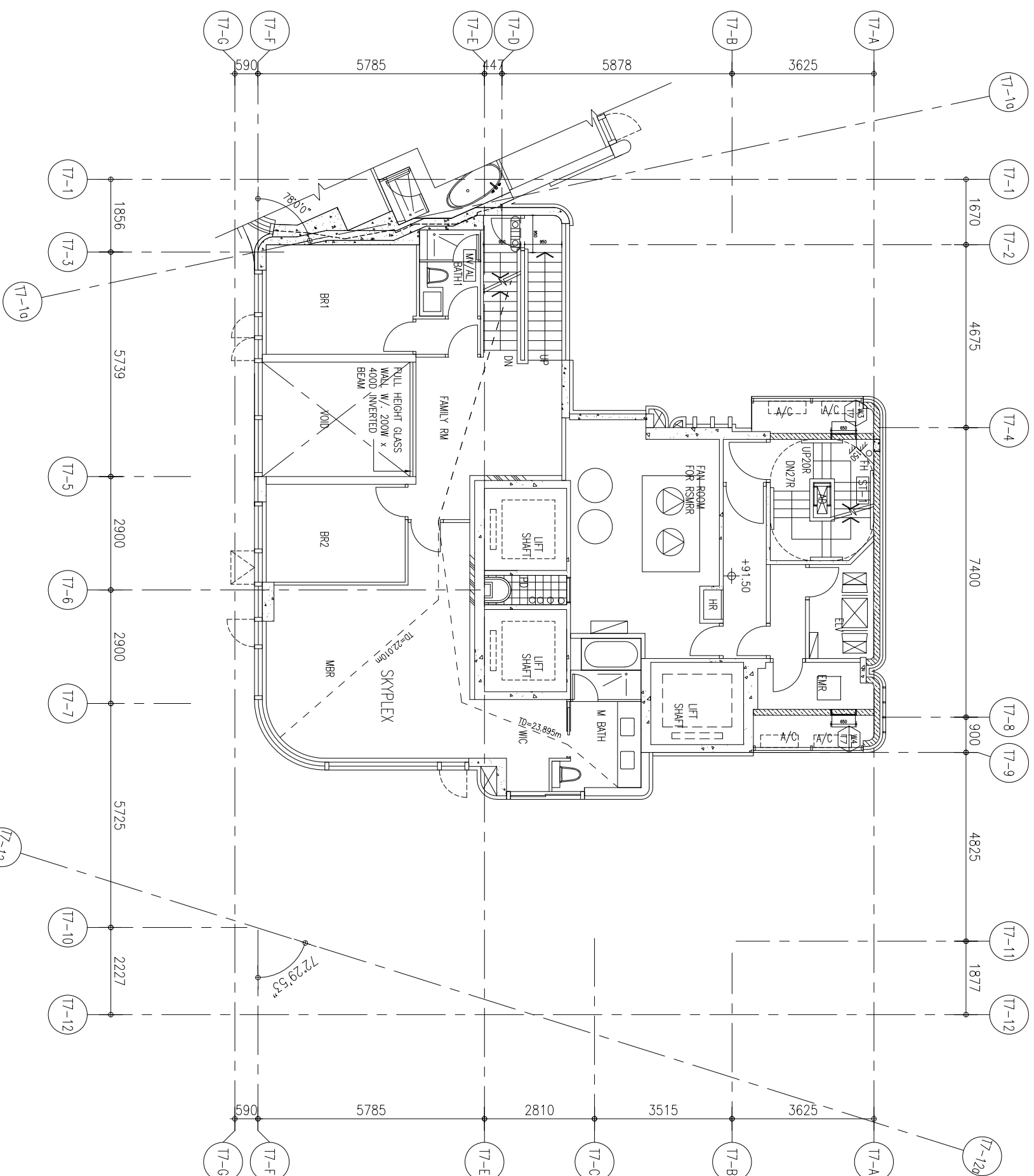
NOTE:  
 1. ALL DIMENSIONS ARE IN mm.  
 2. ALL ELEVATIONS ARE VIEWED FROM OUTSIDE.  
 3. ALL DIMENSIONS TO BE VERIFIED ON SITE BEFORE FABRICATION.

LEGEND:  
 (X1) --- DETAIL MARK NO.  
 (X001) --- REFER SHEET NO.  
 1. F.F.L. --- FINISHED FLOOR LEVEL  
 2. S.F.L. --- STRUCTURAL FLOOR LEVEL  
 3. (R) --- REVERSED DETAIL  
 4. GLASS LEGEND  
 G1---8mmHS+12mm AIR GAP+10mmTP THK. I.G.U.  
 G2---8mmHS+12mm AIR GAP+8mmTP THK. I.G.U.  
 G8---6mm CRYS.TAL. GREY TP+1.52PB+6mm CLEAR TP

NO.	DATE	REVISION	BY
JOB NO. :	J-859		
PROJECT :	PROPOSED RESIDENTIAL / COMMERCIAL DEVELOPMENT AT NKIL NO.6551 KAI TAK AREA 4C, SITE 3 KAI TAK, KOWLOON		
TITLE :	28/F WINDOW LOCATION PLAN FOR PRECAST FAÇADE AT TOWER 7		
DATE :	14-Nov-21	SCALE :	1:60 (A3)
DRAWN BY :	LHR	CHECKED BY :	

**美特經貿有限公司**  
 MIDT ALUMINIUM FABRICATOR LTD.  
 Units 6-8, Sunray Industrial Centre, 1/F  
 610 Chee Kwong Road, Kowloon  
 Tel: 23489211-4 Fax: (852) 27277666  
 DWG NO. : J859-SD-PL-703 REV. : -

28/F WINDOW LOCATION PLAN  
 FOR PRECAST FAÇADE AT TOWER 7



ARCHITECT :  
**WTF**  
**WONG TUNG & PARTNERS LIMITED**  
 ARCHITECTS & PLANNERS

STRUCTURAL ENGINEER :  
**SUN HUNG KAI**  
**ARCHITECTS AND ENGINEERS LTD.**  
 SUN HUNG KAI CENTRE, WANCHAI, HONGKONG  
 TEL 28276111 FAX 28272894

FAÇADE CONSULTANT:  
**ALPHA CONSULTING LIMITED**  
 Steel Structures & Facade Specialist

MAIN CONTRACTOR :  
**Sanfield Engineering Construction Ltd.**

CLIENT :  
**SUN HUNG KAI**  
**REAL ESTATE AGENCY LTD.**  
 42/F SUN HUNG KAI CENTRE, WANCHAI, HONGKONG

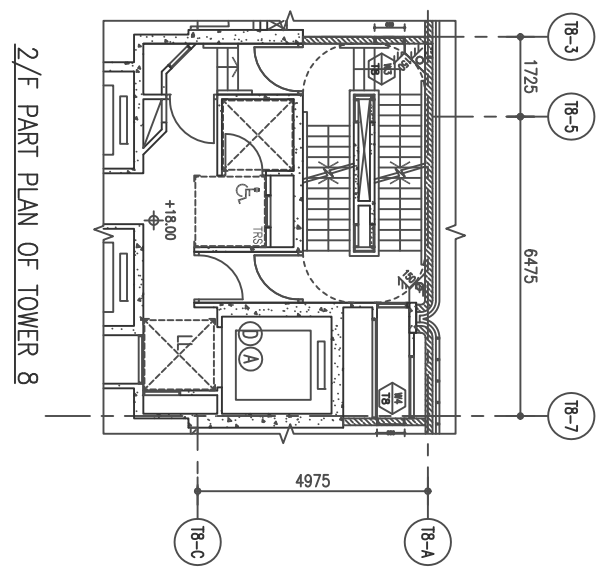
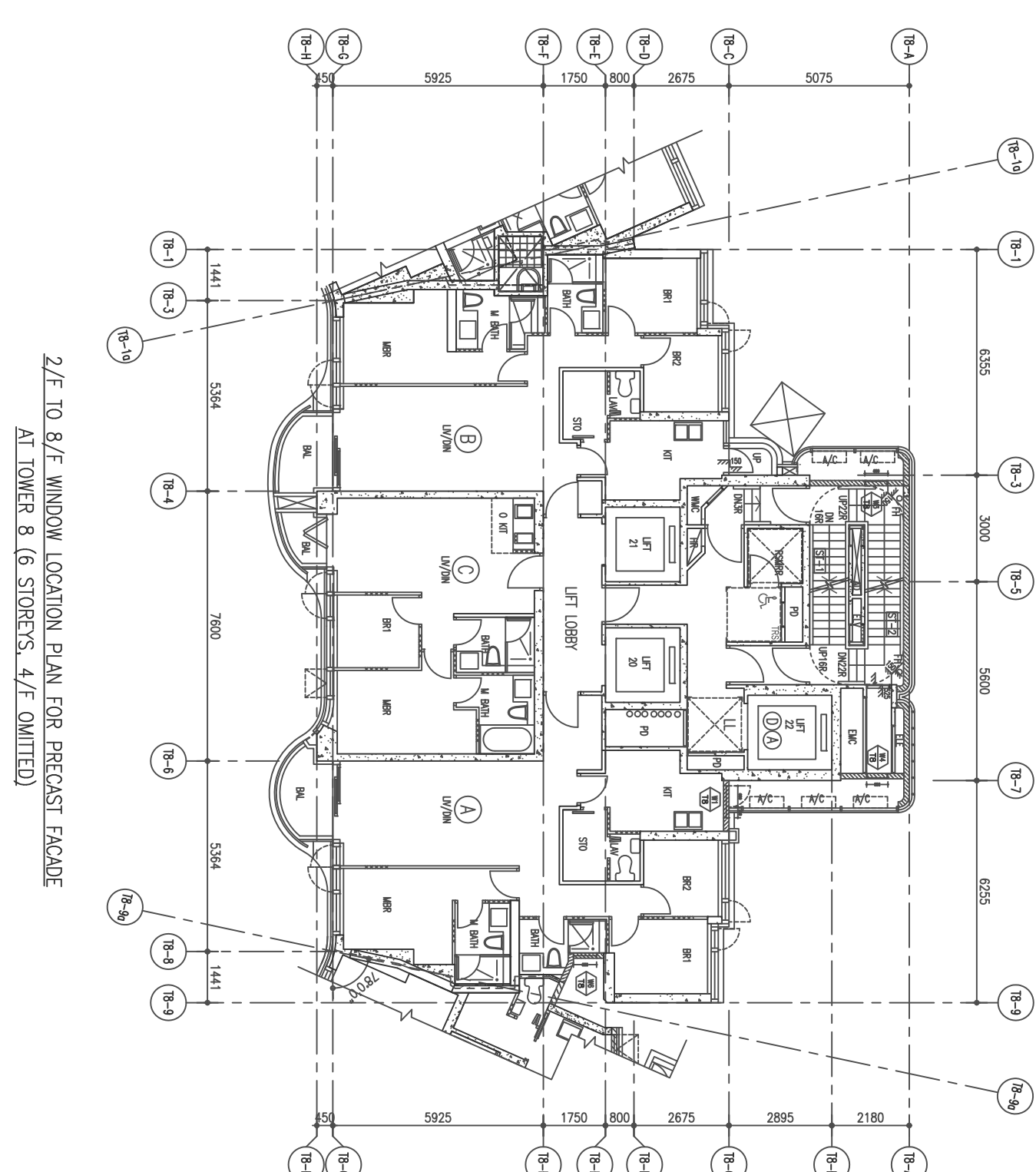
NOTE :  
 1. ALL DIMENSIONS ARE IN mm.  
 2. ALL ELEVATIONS ARE VIEWED FROM OUTSIDE.  
 3. ALL DIMENSIONS TO BE VERIFIED ON SITE BEFORE FABRICATION.

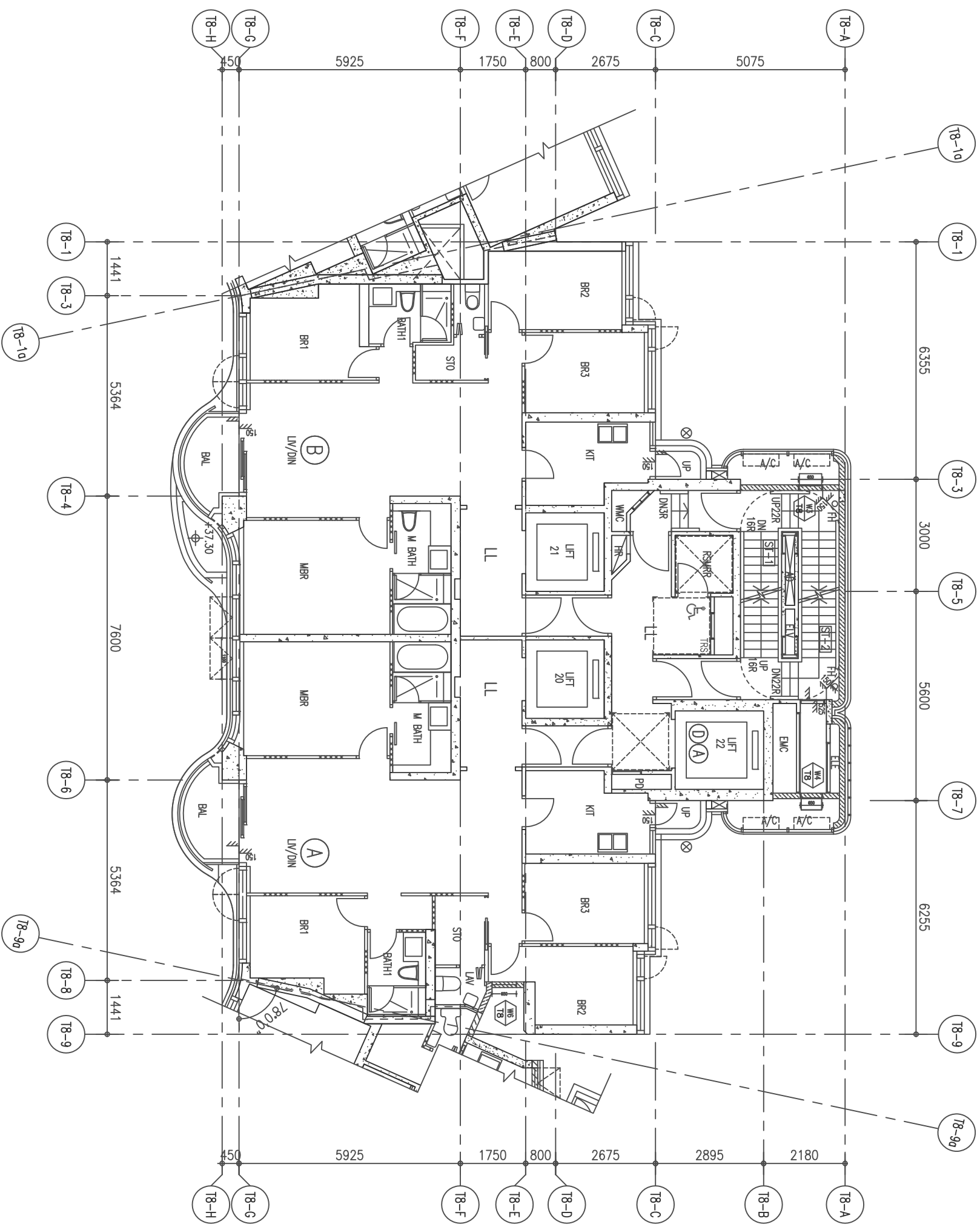
LEGEND :  
 (X1) --- DETAIL MARK NO.  
 (X001) --- REFER SHEET NO.  
 1. F.F.L. --- FINISHED FLOOR LEVEL  
 2. S.F.L. --- STRUCTURAL FLOOR LEVEL  
 3. (R) --- REVERSED DETAIL  
 4. GLASS LEGEND  
 G1---6mmHS+12mm AIR GAP+10mmTP THK. LG.U.  
 G2---6mmHS+12mm AIR GAP+8mmTP THK. LG.U.  
 G8---6mm CRYS.TAL GREY TP+1.52PVB+6mm CLEAR TP

NO.	DATE	REVISION	BY

JOB NO. : J-859  
 PROJECT : PROPOSED RESIDENTIAL / COMMERCIAL DEVELOPMENT AT NIKIL NO.6551 KAI TAK AREA 4C, SITE 3  
 KAI TAK, KOWLOON  
 TITLE : 2~8/F WINDOW LOCATION PLAN FOR PRECAST FAÇADE AT TOWER 8

DATE : 14-Nov-21 SCALE : 1:80 (A3)  
 DRAWN BY : LHR CHECKED BY :  
**美特經貿有限公司**  
**MIDI** ADVANCED FABRICATOR LTD.  
 Units 6-8, Sunny Industrial Centre, 1/F  
 610 Chee Kwo Ling Road, Kowloon  
 Tel:23489211-4 Fax:(852)27277866  
 DWG NO. : J859-SD-PL-801 REV. : -





9/F TO 26/F WINDOW LOCATION PLAN FOR PRECAST FACADE  
AT TOWER 8 (15 STOREYS, 13/F,14/F,24/F OMITTED)

ARCHITECT :  
**WONG TUNG & PARTNERS LIMITED**  
ARCHITECTS & PLANNERS

STRUCTURAL ENGINEER :  
**SUN HUNG KAI**  
ARCHITECTS AND ENGINEERS LTD.  
SUN HUNG KAI CENTRE, WANCHAI, HONGKONG  
TEL 28276111 FAX 28272894

FAÇADE CONSULTANT:  
**ALPHA CONSULTING LIMITED**  
Steel Structures & Facade Specialist

MAIN CONTRACTOR :  
**Sanfield Engineering Construction Ltd.**

CLIENT :  
**SUN HUNG KAI**  
REAL ESTATE AGENCY LTD.  
42/F SUN HUNG KAI CENTRE, WANCHAI, HONGKONG

NOTE:  
1. ALL DIMENSIONS ARE IN mm.  
2. ALL ELEVATIONS ARE VIEWED FROM OUTSIDE.  
3. ALL DIMENSIONS TO BE VERIFIED ON SITE BEFORE FABRICATION.

LEGEND:

- ①1 --- DETAIL MARK NO.
- ①001 --- REFER SHEET NO.
- 1. F.F.L. --- FINISHED FLOOR LEVEL
- 2. S.F.L. --- STRUCTURAL FLOOR LEVEL
- 3. Ⓜ --- REVERSED DETAIL
- 4. GLASS LEGEND
- G1 --- 6mmHS+12mm AIR GAP+10mmTP THK. LG.U.
- G2 --- 6mmHS+12mm AIR GAP+6mmTP THK. LG.U.
- G8 --- 6mm CRYSTAL GREY TP+1.52PVB+6mm CLEAR TP

NO.	DATE	REVISION

JOB NO. : J-859  
PROJECT : PROPOSED RESIDENTIAL / COMMERCIAL DEVELOPMENT AT NIKIL NO.6551 KAI TAK AREA 4C, SITE 3 KAI TAK, KOWLOON

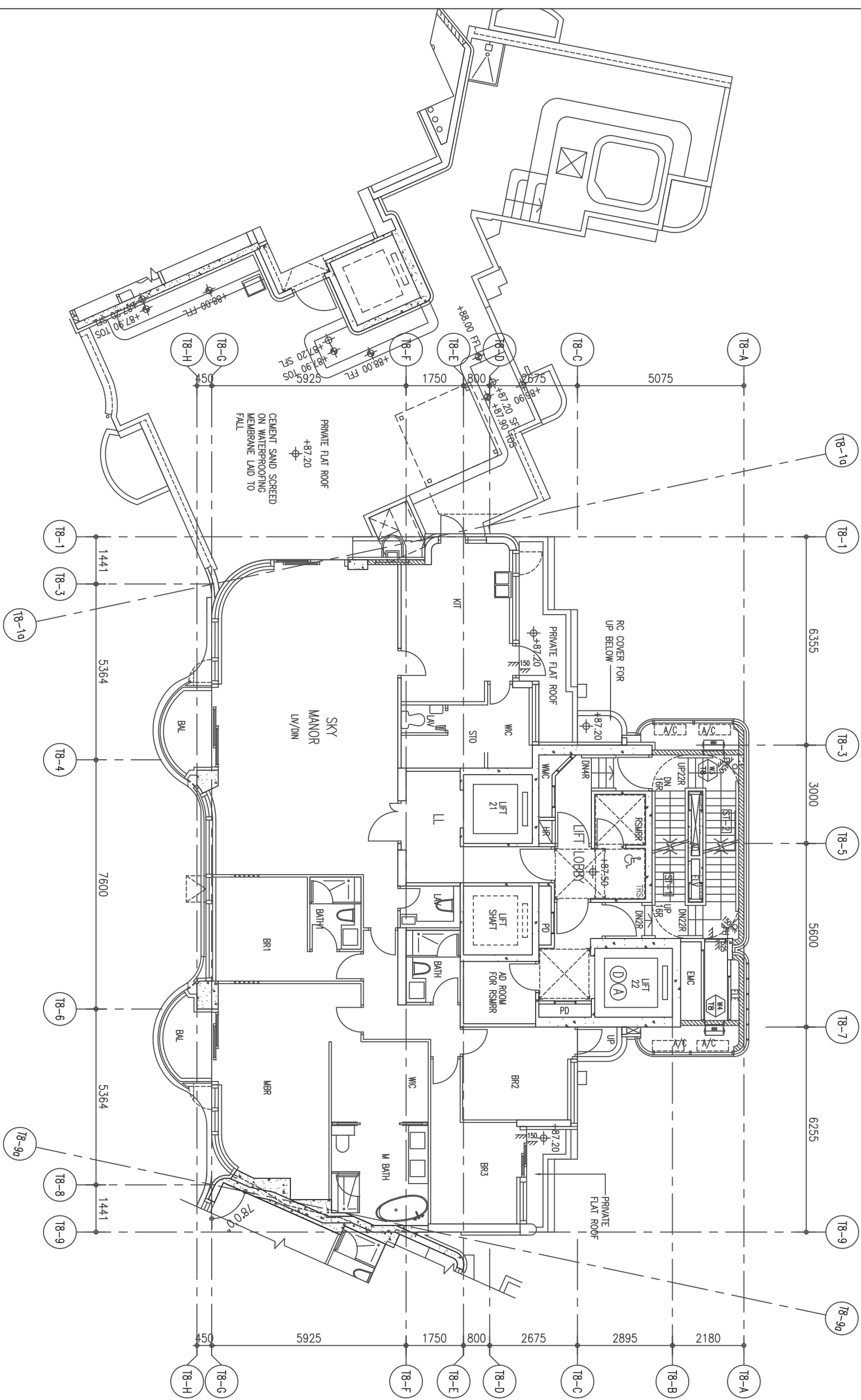
TITLE : 9~26/F WINDOW LOCATION PLAN FOR PRECAST FACADE AT TOWER 8

DATE : 14-Nov-21 SCALE : 1:60 (A3)

DRAWN BY : LHR CHECKED BY :

**美特經貿有限公司**  
MIDI ADVANTAGE TRADING LTD.  
Units 6-8, Sunny Industrial Centre, 1/F  
610 Chee Kwo Ling Road, Kowloon  
Tel:23489211-4 Fax:(852)2727866

DWG NO. : J859-SD-PL-802 REV. : -



27/F WINDOW LOCATION PLAN  
FOR PRECAST FACADE AT TOWER 8

ARCHITECT :  
**W T**  
**WONG TUNG & PARTNERS LIMITED**  
 ARCHITECTS & PLANNERS

STRUCTURAL ENGINEER :  
**SUN HUNG KAI**  
**ARCHITECTS AND ENGINEERS LTD.**  
 SUN HUNG KAI CENTRE, WANCHAI, HONGKONG  
 TEL 28276111 FAX 28272894

FACADE CONSULTANT:  
**ALPHA CONSULTING LIMITED**  
 Steel Structures & Facade Specialist

MAIN CONTRACTOR :  
**Sanfield Engineering Construction Ltd.**

CLIENT :  
**SUN HUNG KAI**  
**REAL ESTATE AGENCY LTD.**  
 42/F SUN HUNG KAI CENTRE, WANCHAI, HONGKONG

NOTE:  
 1. ALL DIMENSIONS ARE IN mm.  
 2. ALL ELEVATIONS ARE VIEWED FROM OUTSIDE.  
 3. ALL DIMENSIONS TO BE VERIFIED ON SITE BEFORE FABRICATION.

LEGEND:  
 (X1) --- DETAIL MARK NO.  
 (X001) --- REFER SHEET NO.

1. F.F.L. --- FINISHED FLOOR LEVEL  
 2. S.F.L. --- STRUCTURAL FLOOR LEVEL  
 3. (R) --- REVERSED DETAIL  
 4. GLASS LEGEND  
 G1 --- 6mmHS+12mm AIR GAP+10mmTP THK. LG.U.  
 G2 --- 6mmHS+12mm AIR GAP+8mmTP THK. LG.U.  
 G8 --- 6mm CRYSTAL GREY TP+1.52PVB+6mm CLEAR TP

NO.	DATE	REVISION

JOB NO. : J-859

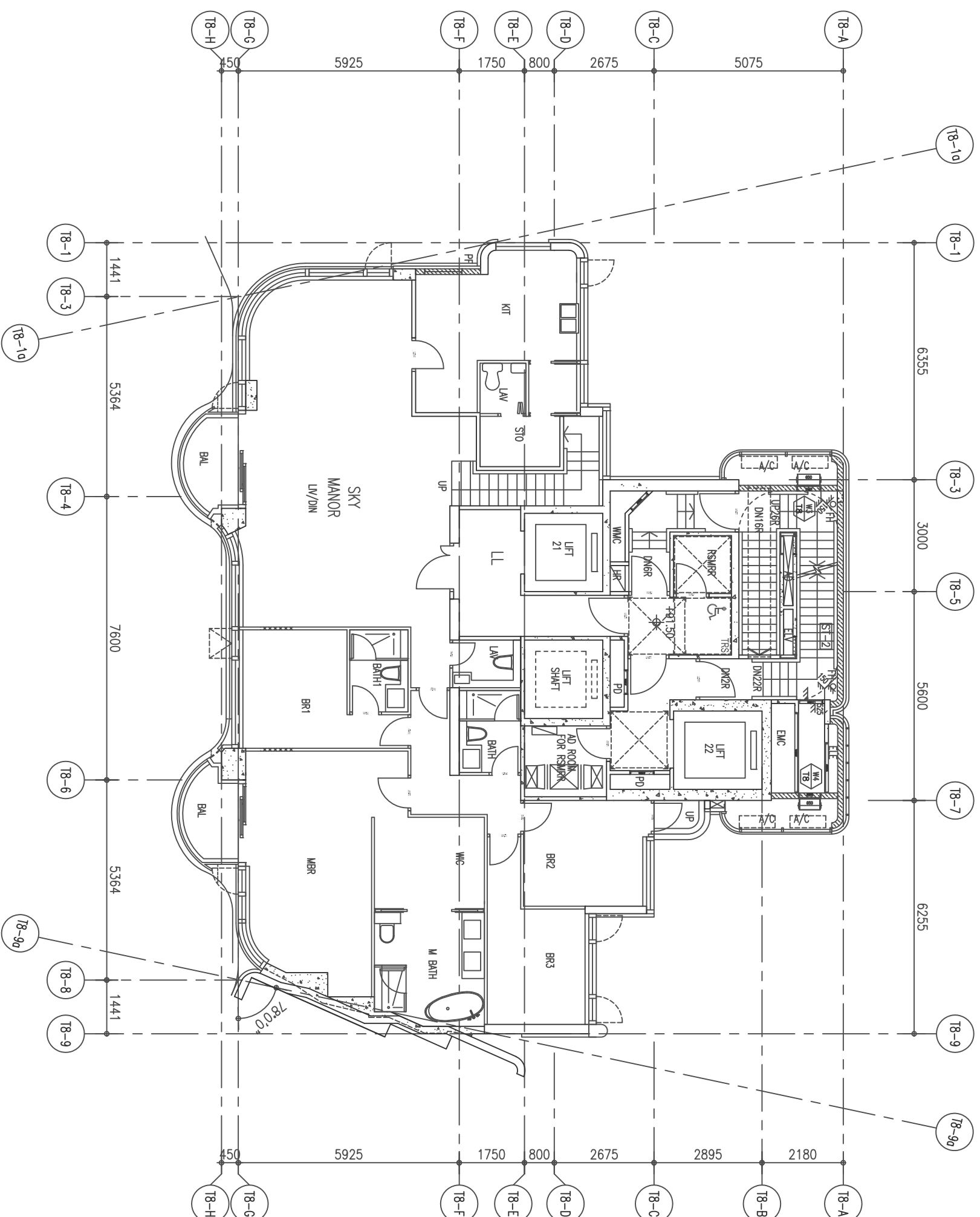
PROJECT :  
 PROPOSED RESIDENTIAL / COMMERCIAL DEVELOPMENT AT NIKIL NO.6551 KAI TAK AREA 4C, SITE 3  
 KAI TAK, KOWLOON

TITLE :  
 27/F WINDOW LOCATION PLAN FOR PRECAST FACADE AT TOWER 8

DATE : 14-Nov-21 SCALE : 1:60 (A3)

DRAWN BY : LHR CHECKED BY :

**美特 經 實 有 限 公 司**  
**MIDI** ARCHITECTURAL FABRICATOR LTD.  
 Units 6-8, Sunray Industrial Centre, 1/F  
 610 Chee Kwong Road, Kowloon  
 Tel: 23489211-4 Fax: (852) 27277866  
 DWG NO. : J859-SD-PL-803 REV. : -



28/F WINDOW LOCATION PLAN  
FOR PRECAST FACADE AT TOWER 8

ARCHITECT :  
**WONG TUNG & PARTNERS LIMITED**  
ARCHITECTS & PLANNERS

STRUCTURAL ENGINEER :  
**SUN HUNG KAI**  
SUN HUNG KAI CENTRE, WANCHAI, HONGKONG  
TEL 28276111 FAX 28272894

FAÇADE CONSULTANT:  
**ALPHA CONSULTING LIMITED**  
Steel Structures & Facade Specialist

MAIN CONTRACTOR :  
**Sanfield Engineering Construction Ltd.**

CLIENT :  
**SUN HUNG KAI**  
REAL ESTATE AGENCY LTD.  
42/F SUN HUNG KAI CENTRE, WANCHAI, HONGKONG

NOTE :  
1. ALL DIMENSIONS ARE IN mm.  
2. ALL ELEVATIONS ARE VIEWED FROM OUTSIDE.  
3. ALL DIMENSIONS TO BE VERIFIED ON SITE BEFORE FABRICATION.

LEGEND :

- ⊗11 --- DETAIL MARK NO.
- ⊗001 --- REFER SHEET NO.
- 1. F.F.L. --- FINISHED FLOOR LEVEL
- 2. S.F.L. --- STRUCTURAL FLOOR LEVEL
- 3. Ⓡ --- REVERSED DETAIL
- 4. GLASS LEGEND
- G1 --- 6mmHS+12mm AIR GAP+10mmTP THK. I.G.U.
- G2 --- 6mmHS+12mm AIR GAP+8mmTP THK. I.G.U.
- G8 --- 6mm CRYSTAL GREY TP+1.52PB+6mm CLEAR TP

NO.	DATE	REVISION	BY

JOB NO. : J-859  
PROJECT : PROPOSED RESIDENTIAL / COMMERCIAL DEVELOPMENT AT NIKIL NO.6551 KAI TAK AREA 4C, SITE 3 KAI TAK, KOWLOON  
TITLE : 28/F WINDOW LOCATION PLAN FOR PRECAST FACADE AT TOWER 8

DATE : 14-Nov-21 SCALE : 1:60 (A3)  
DRAWN BY : LHR CHECKED BY :

**美特經貿有限公司**  
MIDI ALUMINUM FABRICATOR LTD.  
Units 6-8, Sunny Industrial Centre, 1/F  
610 Che Kwong Road, Kowloon  
Tel:23489211-4 Fax:(852)2727866  
DWG NO. : J859-SD-PL-804 REV. : -

ARCHITECT :



STRUCTURAL ENGINEER :



FAÇADE CONSULTANT :



MAIN CONTRACTOR :

**Sanfield Engineering**  
Construction Ltd.

CLIENT :



42/F SUN HUNG KAI CENTRE, WANCHAI, HONGKONG

NOTE :  
1. ALL DIMENSIONS ARE IN mm.  
2. ALL ELEVATIONS ARE VIEWED FROM OUTSIDE.  
3. ALL DIMENSIONS TO BE VERIFIED ON SITE BEFORE FABRICATION.

LEGEND :

- ⊗1 DETAIL MARK NO.
- ⊗001 REFER SHEET NO.
- 1. F.F.L. -- FINISHED FLOOR LEVEL
- 2. S.F.L. -- STRUCTURAL FLOOR LEVEL
- 3. Ⓡ -- REVERSED DETAIL
- 4. GLASS LEGEND
- G1 -- 6mmHS+12mm AIR GAP+10mmTP THK. LG.U.
- G2 -- 6mmHS+12mm AIR GAP+6mmTP THK. LG.U.
- G8 -- 6mm CRYSTAL GREY TP+1.52PB+6mm CLEAR TP

NO.	DATE	REVISION	BY

JOB NO. : J-859

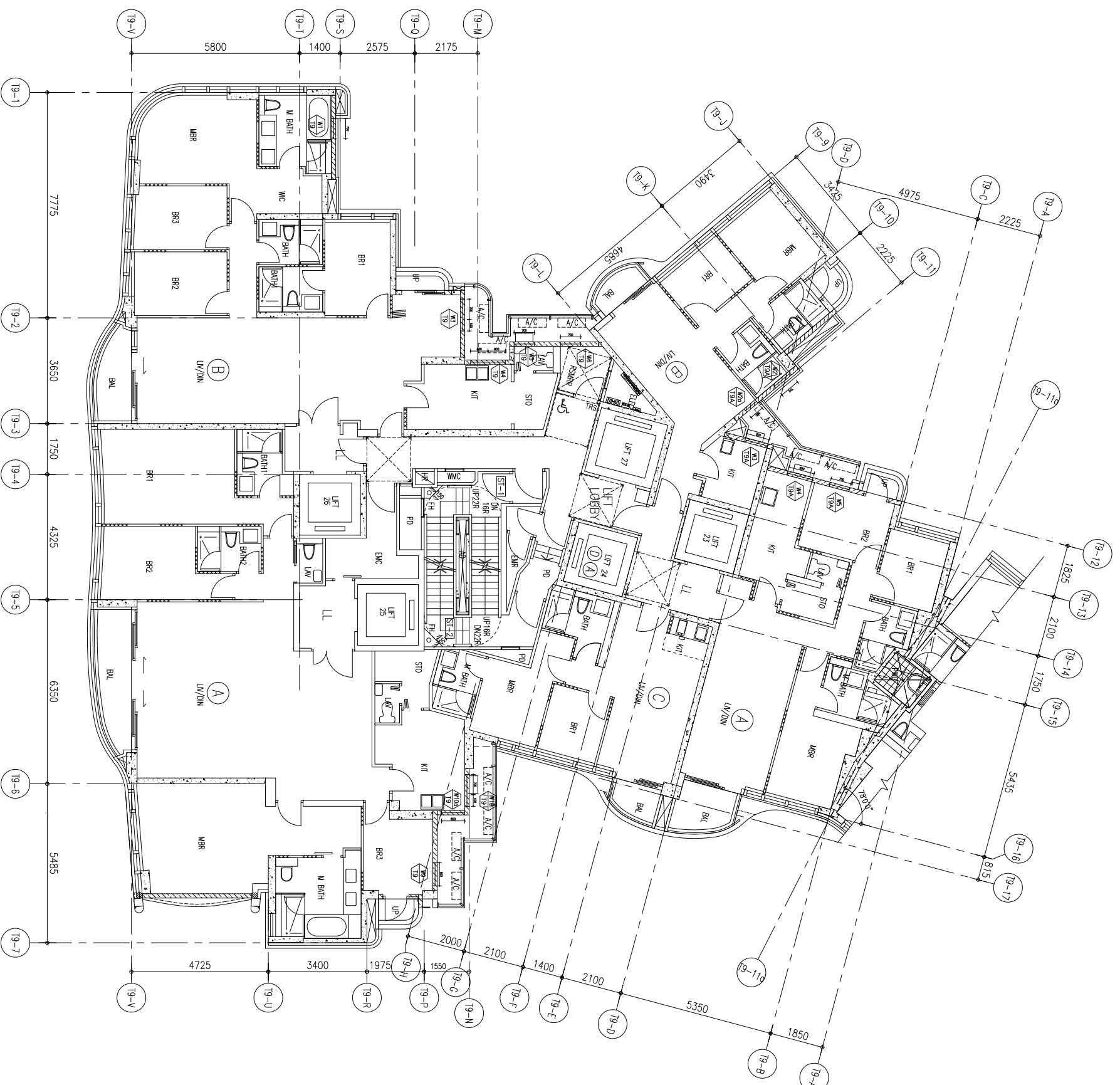
PROJECT : PROPOSED RESIDENTIAL / COMMERCIAL DEVELOPMENT AT NKIL NO.6551 KAI TAK AREA 4C, SITE 3 KAI TAK, KOWLOON

TITLE : 2~8/F WINDOW LOCATION PLAN FOR PRECAST FACADE AT TOWER 9 / 9A

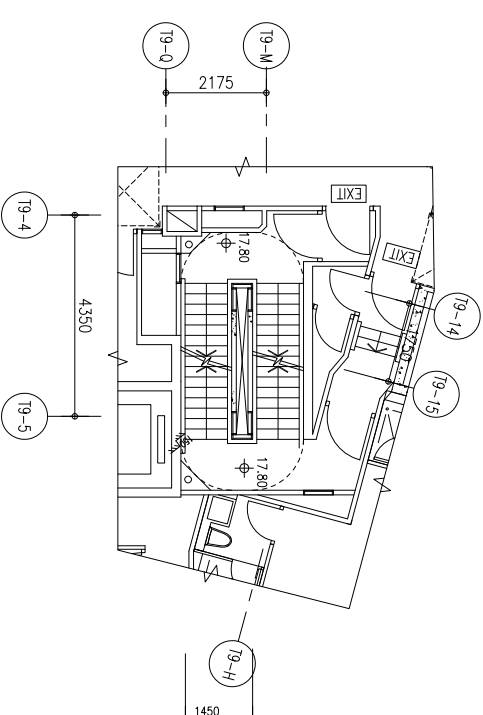
DATE : 14-Nov-21 SCALE : 1:80 (A3)

DRAWN BY : LHR CHECKED BY :

UNITED MID-LEVEL DEVELOPMENT COMPANY LIMITED  
610 Chee Kwong Road, Kowloon  
Tel: 23489211-4 Fax: (852) 27277866  
DWG NO. : J859-SD-PL-901 REV. : -



2/F TO 8/F WINDOW LOCATION PLAN FOR PRECAST FACADE AT TOWER 9 / 9A (6 STOREYS, 4/F OMITTED)



2/F PART PLAN OF TOWER 9 / 9A

ARCHITECT :  
**WT**  
**WONG TUNG & PARTNERS LIMITED**  
 ARCHITECTS & PLANNERS

STRUCTURAL ENGINEER :  
**SUN HUNG KAI**  
**ARCHITECTS AND ENGINEERS LTD.**  
 SUN HUNG KAI CENTRE, WANCHAI, HONGKONG  
 TEL: 28278111 FAX: 28272894

FAÇADE CONSULTANT:  
**ALPHA CONSULTING LIMITED**  
 Steel Structure & Façade Specialist

MAIN CONTRACTOR :  
**Sanfield Engineering**  
 Construction Ltd.

CLIENT :  
**SUN HUNG KAI**  
**REAL ESTATE AGENCY LTD.**  
 42/F SUN HUNG KAI CENTRE, WANCHAI, HONGKONG

NOTE :  
 1. ALL DIMENSIONS ARE IN mm.  
 2. ALL ELEVATIONS ARE VIEWED FROM OUTSIDE.  
 3. ALL DIMENSIONS TO BE VERIFIED ON SITE BEFORE FABRICATION.

LEGEND :  
 (X1) DETAIL MARK NO.  
 (X001) REFER SHEET NO.  
 1. F.F.L. -- FINISHED FLOOR LEVEL  
 2. S.F.L. -- STRUCTURAL FLOOR LEVEL  
 3. (R) -- REVERSED DETAIL  
 4. GLASS LEGEND  
 G1--6mmHS+12mm AIR GAP+10mmTP THK. LG.U.  
 G2--6mmHS+12mm AIR GAP+6mmTP THK. LG.U.  
 G8--6mm CRYSTAL GREY TP+1.52PB+6mm CLEAR TP

NO.	DATE	REVISION

J-859

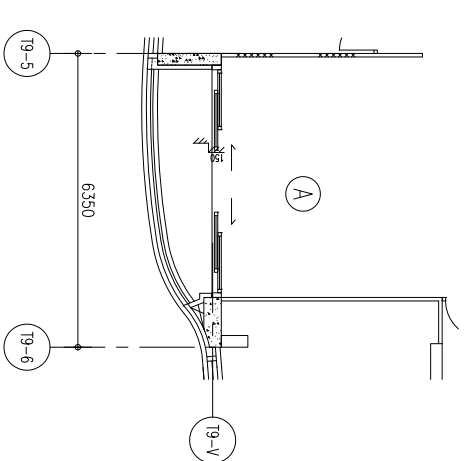
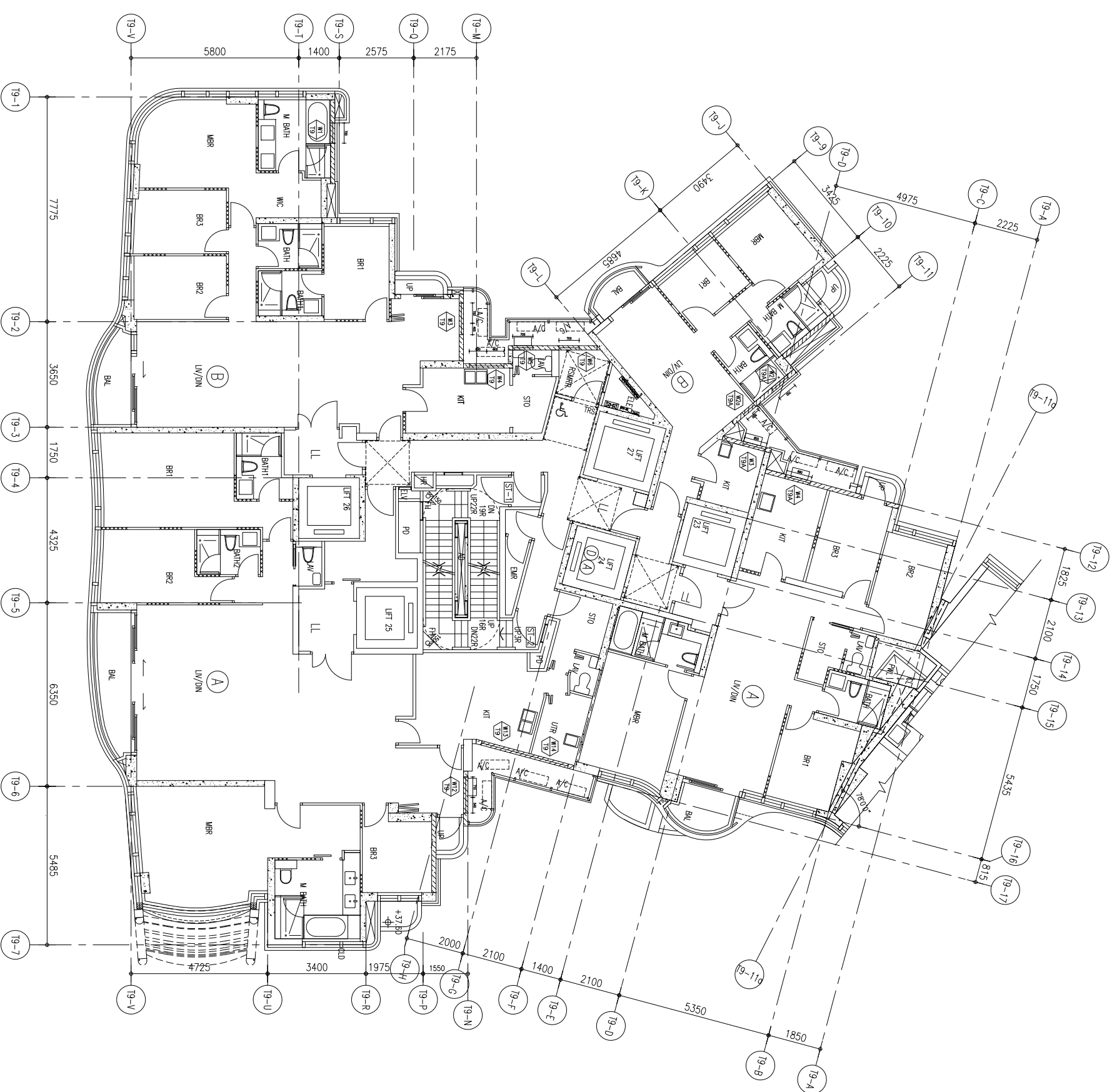
JOB NO. : J-859

PROJECT : PROPOSED RESIDENTIAL / COMMERCIAL DEVELOPMENT AT NKIL NO.6551 KAI TAK AREA 4C, SITE 3 KAI TAK, KOWLOON

TITLE : 9~25/F WINDOW LOCATION PLAN FOR PRECAST FACADE AT TOWER 9 / 9A

DATE : 14-Nov-21 SCALE : 1:80 (A3)

DRAWN BY : LHR CHECKED BY :



9/F TO 25/F WINDOW LOCATION PLAN FOR PRECAST FACADE AT TOWER 9 / 9A (14 STOREYS, 13/F, 14/F, 24/F OMITTED)

25/F PART PLAN OF TOWER 9 / 9A

美特經貿有限公司  
**MIDI** ALUMINIUM FABRICATOR LTD.  
 Units 6-8, Sunray Industrial Centre, 1/F  
 610 Chee Kwong Road, Kowloon  
 Tel: 23489211-4 Fax: (852) 27277866  
 DWG NO. : J859-SD-PL-902 REV. : -

ARCHITECT :  
**WONG TUNG & PARTNERS LIMITED**  
 ARCHITECTS & PLANNERS

STRUCTURAL ENGINEER :  
**SUN HUNG KAI**  
 ARCHITECTS AND ENGINEERS LTD.  
 SUN HUNG KAI CENTRE, WANCHAI, HONGKONG  
 TEL: 28278111 FAX: 28272894

FAÇADE CONSULTANT:  
**ALPHA CONSULTING LIMITED**  
 Steel Structure & Façade Specialist

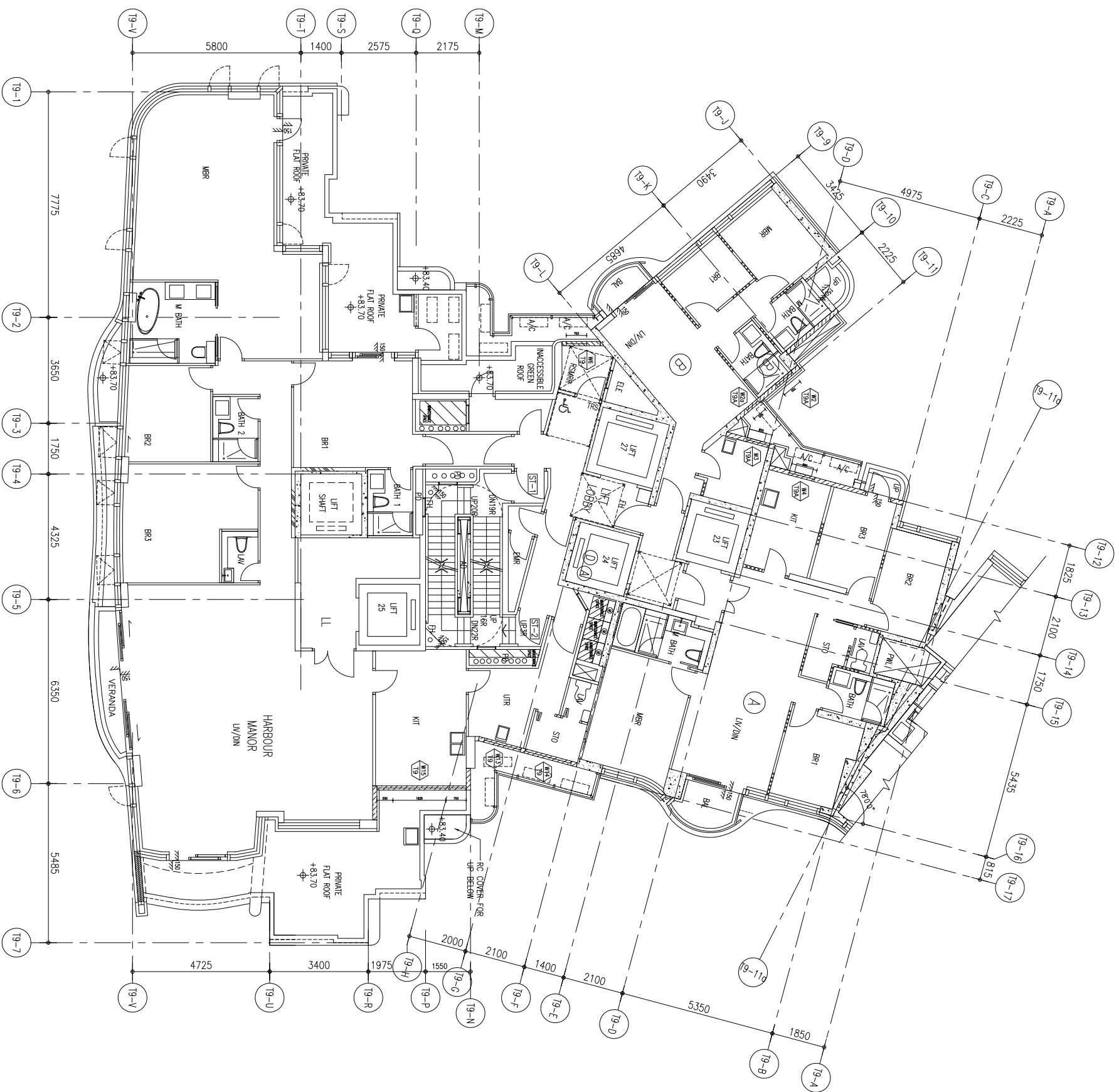
MAIN CONTRACTOR :  
**Sanfield Engineering**  
 Construction Ltd.

CLIENT :  
**SUN HUNG KAI**  
 REAL ESTATE AGENCY LTD.  
 42/F, SUN HUNG KAI CENTRE, WANCHAI, HONGKONG

NOTE :  
 1. ALL DIMENSIONS ARE IN mm.  
 2. ALL ELEVATIONS ARE VIEWED FROM OUTSIDE.  
 3. ALL DIMENSIONS TO BE VERIFIED ON SITE BEFORE FABRICATION.

LEGEND :  
 (X1) DETAIL MARK NO.  
 (X001) REFER SHEET NO.

1. F.F.L. -- FINISHED FLOOR LEVEL  
 2. S.F.L. -- STRUCTURAL FLOOR LEVEL  
 3. (R) -- REVERSED DETAIL  
 4. GLASS LEGEND  
 G1 -- 6mmHS+12mm AIR GAP+10mmTP THK. LG.U.  
 G2 -- 6mmHS+12mm AIR GAP+8mmTP THK. LG.U.  
 G8 -- 6mm CRYSTAL GREY TP+1.52PB+6mm CLEAR TP



26/F WINDOW LOCATION PLAN FOR  
 PRECAST FAÇADE AT TOWER 9 / 9A

DATE : 14-Nov-21 SCALE : 1:80 (A3)  
 DRAWN BY : LHR CHECKED BY :  
**美特铝业有限公司**  
 MIDU ALUMINIUM FABRICATOR LTD.  
 Units 6-8, Sunray Industrial Centre, 1/F  
 610 Chee Kwong Road, Kowloon  
 Tel: 23489211-4 Fax: (852) 27277866  
 DWG NO. : J859-SD-PL-903 REV. : -



STRUCTURAL ENGINEER :  
**SUN HUNG KAI**  
ARCHITECTS AND ENGINEERS LTD.  
SUN HUNG KAI CENTRE, WANCHAI, HONGKONG  
TEL 28278111 FAX 28272894

FAÇADE CONSULTANT:  
**ALPHA CONSULTING LIMITED**  
Steel Structure & Façade Specialist



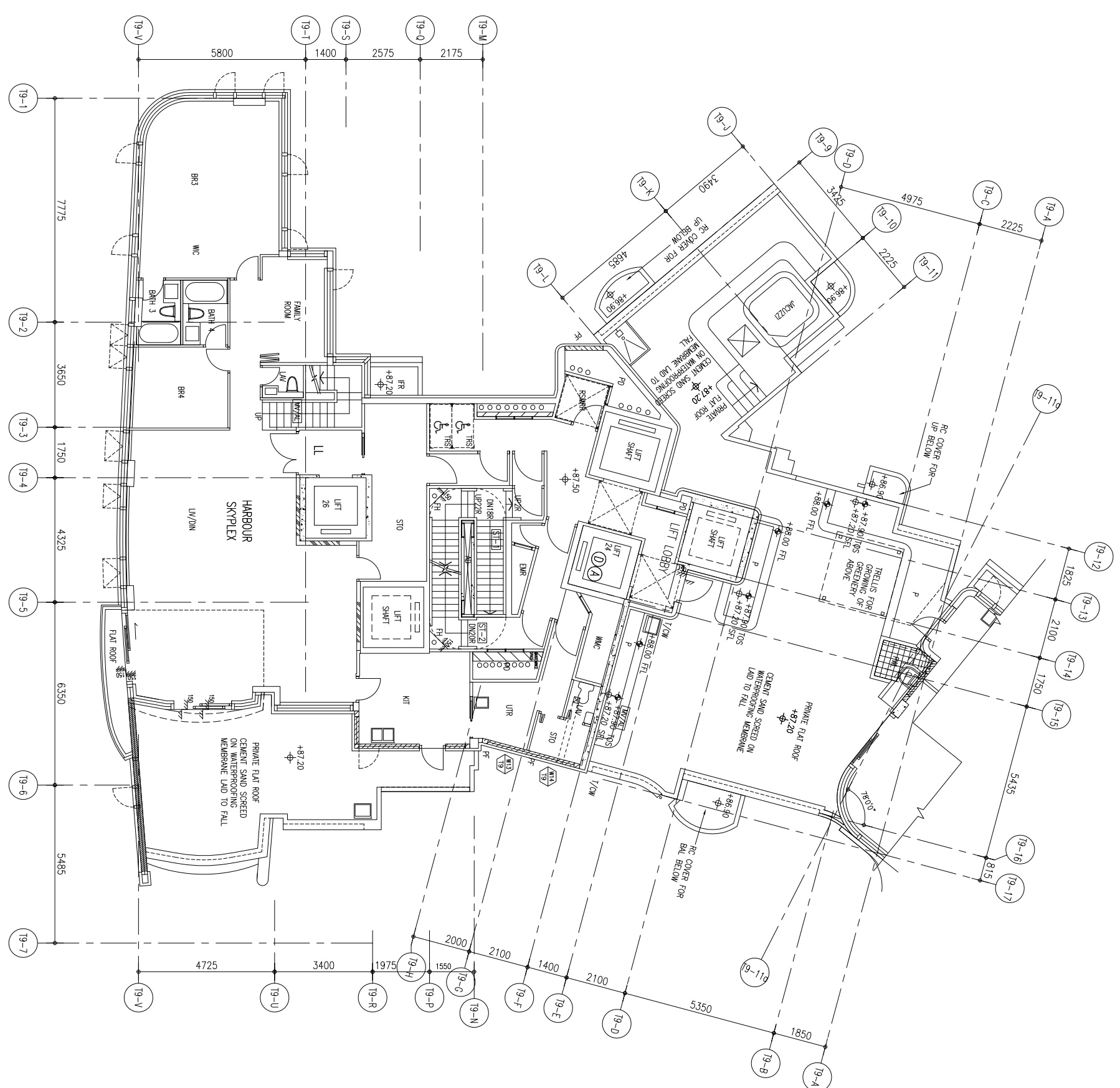
MAIN CONTRACTOR :  
**Sanfield Engineering**  
Construction Ltd.

CLIENT :  
**SUN HUNG KAI**  
REAL ESTATE AGENCY LTD.  
42/F SUN HUNG KAI CENTRE, WANCHAI, HONGKONG

NOTE :  
1. ALL DIMENSIONS ARE IN mm.  
2. ALL ELEVATIONS ARE VIEWED FROM OUTSIDE.  
3. ALL DIMENSIONS TO BE VERIFIED ON SITE BEFORE FABRICATION.

LEGEND :  
⊗11---DETAIL MARK NO.  
⊗001---REFER SHEET NO.

1. F.F.L.--FINISHED FLOOR LEVEL
  2. S.F.L.--STRUCTURAL FLOOR LEVEL
  3. Ⓡ---REVERSED DETAIL
  4. GLASS LEGEND
- G1--6mmHS+12mm AIR GAP+10mmTP THK. 1&2U.  
G2--6mmHS+12mm AIR GAP+8mmTP THK. 1&2U.  
G8--6mm CRYSTAL GREY TP+1.52PB+6mm CLEAR TP



27/F WINDOW LOCATION PLAN FOR  
PRECAST FAÇADE AT TOWER 9 / 9A

DATE : 14-Nov-21 SCALE : 1:80 (A3)  
DRAWN BY : LHR CHECKED BY :  
PROJECT :  
PROPOSED RESIDENTIAL / COMMERCIAL  
DEVELOPMENT AT NKIL NO.6551 KAI  
TAK AREA 4C, SITE 3  
KAI TAK, KOWLOON

TITLE :  
27/F WINDOW LOCATION PLAN  
FOR PRECAST FAÇADE  
AT TOWER 9 / 9A

**美特經貿有限公司**  
MIDI ALUMINIUM FABRICATOR LTD.  
Units 6-8, Sunray Industrial Centre, 1/F  
610 Cho Kwong Road, Kowloon  
Tel:23489211-4 Fax:(852)27277866  
DWG NO. : J859-SD-PL-904 REV. : -



B.O. REF :



STRUCTURAL ENGINEER : SUN HUNG KAI ARCHITECTS AND ENGINEERS LTD.

FAÇADE CONSULTANT : ALPHA CONSULTING LIMITED Steel Structure & Façade Specialist

MAIN CONTRACTOR : Sanfield Engineering Construction Ltd.

CLIENT : SUN HUNG KAI REAL ESTATE AGENCY LTD.

NOTE: 1. ALL DIMENSIONS ARE IN mm. 2. ALL ELEVATIONS ARE VIEWED FROM OUTSIDE. 3. ALL DIMENSIONS TO BE VERIFIED ON SITE BEFORE FABRICATION.

LEGEND:

- ⊗1 DETAIL MARK NO.
⊗001 REFER SHEET NO.
1. F.F.L.--FINISHED FLOOR LEVEL
2. S.F.L.--STRUCTURAL FLOOR LEVEL
3. (R)--REVERSED DETAIL
4. GLASS LEGEND
G1--6mmHS+12mm AIR GAP+10mmTP THK. LGU.
G2--6mmHS+12mm AIR GAP+8mmTP THK. LGU.
G8--6mm CRYSTAL GREY TP+1.52PB+6mm CLEAR TP

Table with columns: NO., DATE, REVISED, BY

JOB NO. : J-859
PROJECT : PROPOSED RESIDENTIAL / COMMERCIAL DEVELOPMENT AT NKIL NO.6551 KAI TAK AREA 4C, SITE 3 KAI TAK, KOWLOON

TITLE : DIE LIST FOR ALUM. WINDOW
SCALE : 1:4 (A3)

DATE : 10-Nov-21
DRAWN BY : LHR
CHECKED BY :

MIDI ALUMINUM FABRICATOR LTD.
Units 6-8, Sunray Industrial Centre, 1/F
610 Cha Kwo Ling Road, Kowloon
Tel:23489211-4 Fax:(852)27277866
DWG NO. : J859-SD-PW-1102 REV. : -

PROPERTIES

MEMBER : AW-20
GRADE : 6063-T6
FINISH : MILL

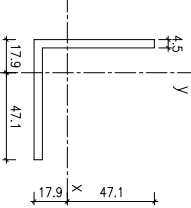


Table with columns: MASS PROPERTIES (UNIT), VALUES. Includes Area, Perimeter, Bounding Box, Centroid, Moments of Inertia, etc.

PROPERTIES

MEMBER : AW-24
GRADE : 6063-T6
FINISH : PVF2 3-COATING

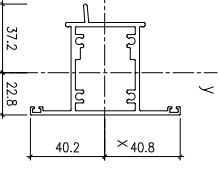


Table with columns: MASS PROPERTIES (UNIT), VALUES. Includes Area, Perimeter, Bounding Box, Centroid, Moments of Inertia, etc.

PROPERTIES

PROPERTIES

MEMBER : AW-19
GRADE : 6061-T6
FINISH : MILL

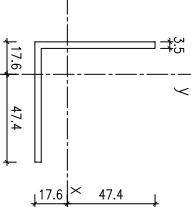


Table with columns: MASS PROPERTIES (UNIT), VALUES. Includes Area, Perimeter, Bounding Box, Centroid, Moments of Inertia, etc.

PROPERTIES

MEMBER : AW-23
GRADE : 6063-T6
FINISH : PVF2 3-COATING

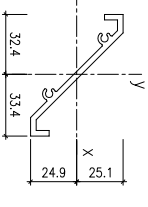


Table with columns: MASS PROPERTIES (UNIT), VALUES. Includes Area, Perimeter, Bounding Box, Centroid, Moments of Inertia, etc.

PROPERTIES

PROPERTIES

MEMBER : AW-18
GRADE : 6063-T6
FINISH : PVF2 3-COATING

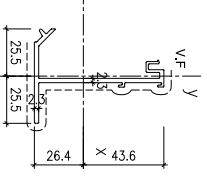


Table with columns: MASS PROPERTIES (UNIT), VALUES. Includes Area, Perimeter, Bounding Box, Centroid, Moments of Inertia, etc.

PROPERTIES

MEMBER : AW-22
GRADE : 6063-T6
FINISH : PVF2 3-COATING

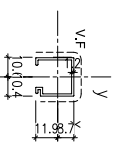


Table with columns: MASS PROPERTIES (UNIT), VALUES. Includes Area, Perimeter, Bounding Box, Centroid, Moments of Inertia, etc.

PROPERTIES

PROPERTIES

MEMBER : AW-17
GRADE : 6063-T6
FINISH : 3-COATING

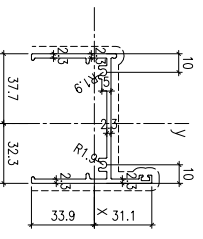


Table with columns: MASS PROPERTIES (UNIT), VALUES. Includes Area, Perimeter, Bounding Box, Centroid, Moments of Inertia, etc.

PROPERTIES

MEMBER : AW-21
GRADE : 6063-T6
FINISH :

REGIONS

PROPERTIES

MEMBER : AW-25
GRADE : 6063-T6
FINISH : PVF2 3-COATING

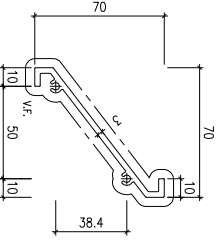


Table with columns: MASS PROPERTIES (UNIT), VALUES. Includes Area, Perimeter, Bounding Box, Centroid, Moments of Inertia, etc.

PROPERTIES

MEMBER : AW-29
GRADE : 6063-T6
FINISH : PVF2 3-COATING

REGIONS

PROPERTIES

MEMBER : AW-30
GRADE : 6063-T6
FINISH : PVF2 3-COATING

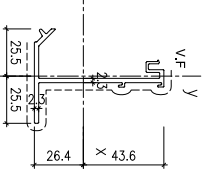


Table with columns: MASS PROPERTIES (UNIT), VALUES. Includes Area, Perimeter, Bounding Box, Centroid, Moments of Inertia, etc.

PROPERTIES

MEMBER : AW-26
GRADE : 6063-T6
FINISH : PVF2 3-COATING

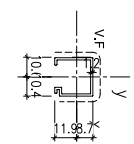


Table with columns: MASS PROPERTIES (UNIT), VALUES. Includes Area, Perimeter, Bounding Box, Centroid, Moments of Inertia, etc.

PROPERTIES

PROPERTIES

MEMBER : AW-31
GRADE : 6063-T6
FINISH : PVF2 3-COATING

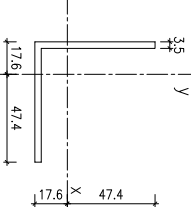


Table with columns: MASS PROPERTIES (UNIT), VALUES. Includes Area, Perimeter, Bounding Box, Centroid, Moments of Inertia, etc.

PROPERTIES

MEMBER : AW-27
GRADE : 6063-T6
FINISH : PVF2 3-COATING

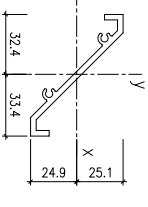


Table with columns: MASS PROPERTIES (UNIT), VALUES. Includes Area, Perimeter, Bounding Box, Centroid, Moments of Inertia, etc.

PROPERTIES

PROPERTIES

MEMBER : AW-28
GRADE : 6063-T6
FINISH : PVF2 3-COATING

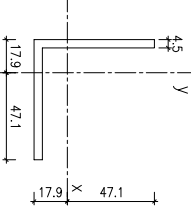


Table with columns: MASS PROPERTIES (UNIT), VALUES. Includes Area, Perimeter, Bounding Box, Centroid, Moments of Inertia, etc.

PROPERTIES

MEMBER : AW-24
GRADE : 6063-T6
FINISH : PVF2 3-COATING

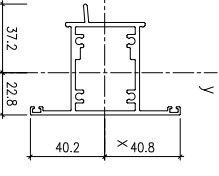
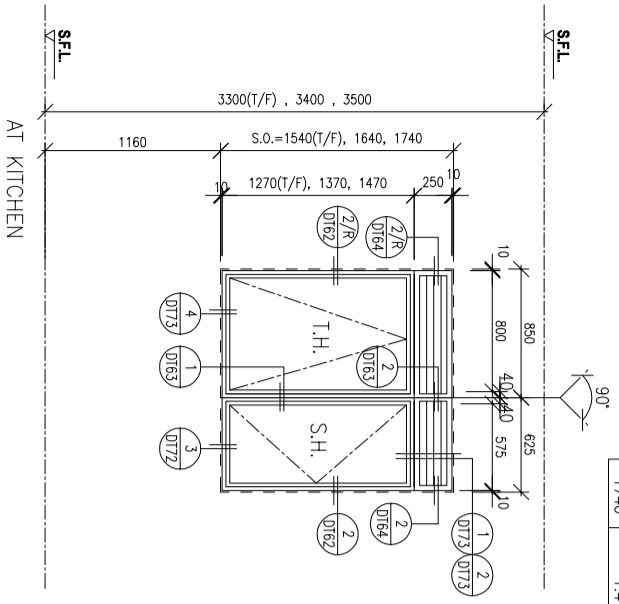


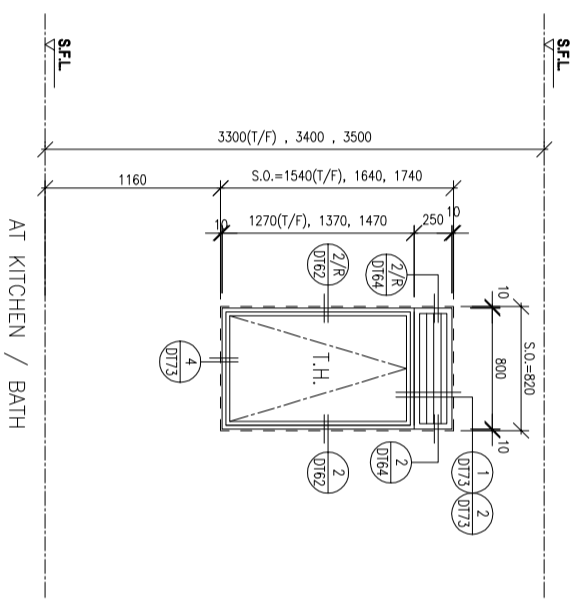
Table with columns: MASS PROPERTIES (UNIT), VALUES. Includes Area, Perimeter, Bounding Box, Centroid, Moments of Inertia, etc.

PROPERTIES

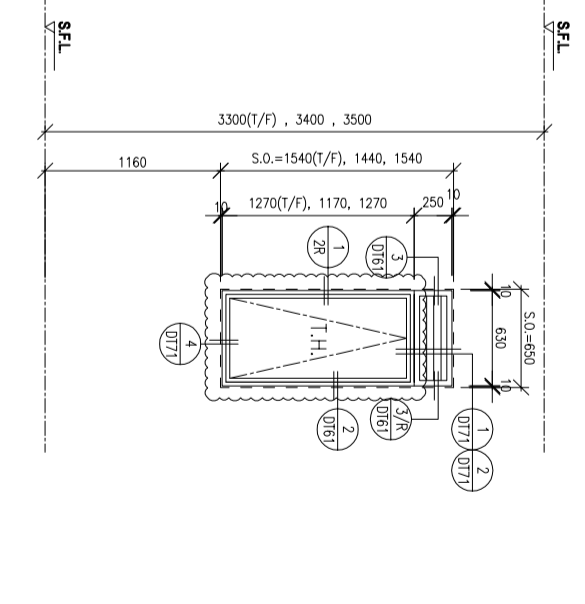
FREE AREA(%)	S.O.	OPENABLE AREA	GLAZING AREA
58.1%	1540	1.26	1.06
	S.O.	OPENABLE AREA	GLAZING AREA
	1640	1.37	1.16
	S.O.	OPENABLE AREA	GLAZING AREA
	1740	1.47	1.25



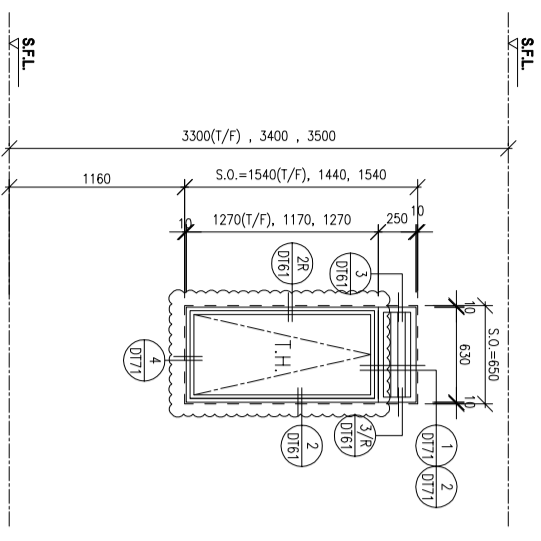
FREE AREA(%)	S.O.	OPENABLE AREA	GLAZING AREA
58.1%	1540	0.84	0.73
	S.O.	OPENABLE AREA	GLAZING AREA
	1640	0.91	0.80
	S.O.	OPENABLE AREA	GLAZING AREA
	1740	0.98	0.86



FREE AREA(%)	S.O.	OPENABLE AREA	GLAZING AREA
50.0%	1540	0.64	0.54
	S.O.	OPENABLE AREA	GLAZING AREA
	1440	0.59	0.49



FREE AREA(%)	S.O.	OPENABLE AREA	GLAZING AREA
50.0%	1540	0.64	0.54
	S.O.	OPENABLE AREA	GLAZING AREA
	1440	0.59	0.49



WINDOW MARK	W4 T7 23 nos.
LOCATION	WMC AT 2/F TO 28/F FLOOR (T7) (4,13,14,24/F OMITTED)
GLAZING	G8
WINDOW FRAME	50mm ALUM. WINDOW SECTION

WINDOW MARK	W2 T7 21 nos.
LOCATION	FLAT A KIT AT 2/F TO 26/F FLOOR (T7) (4,13,14,24/F OMITTED)
GLAZING	G2
WINDOW FRAME	70mm ALUM. WINDOW SECTION

WINDOW MARK	W3 T7 23 nos.
LOCATION	ST-1 AT 2/F TO 28/F FLOOR (T7) (4,13,14,24/F OMITTED)
GLAZING	G8
WINDOW FRAME	50mm ALUM. WINDOW SECTION

B.O. REF :  
.....

ARCHITECT :  
**WTF**  
WONG TUNG & PARTNERS LIMITED  
ARCHITECTS & PLANNERS

STRUCTURAL ENGINEER :  
**SK SUN HUNG KAI**  
ARCHITECTS AND ENGINEERS LTD.  
SUN HUNG KAI CENTRE, WANCHAI, HONGKONG  
TEL. 28278111 FAX. 28272884

FAÇADE CONSULTANT:  
**ALPHA CONSULTING LIMITED**  
Steel Structure & Façade Specialist

MAIN CONTRACTOR :  
Sanfield Engineering  
Construction Ltd.

CLIENT :  
**SK SUN HUNG KAI**  
REAL ESTATE AGENCY LTD.  
42/F SUN HUNG KAI CENTRE, WANCHAI, HONGKONG

NOTE :  
1. ALL DIMENSIONS ARE IN mm.  
2. ALL ELEVATIONS ARE VIEWED FROM OUTSIDE.  
3. ALL DIMENSIONS TO BE VERIFIED ON SITE BEFORE FABRICATION.

LEGEND :  
X1 --- DETAIL MARK NO.  
X001 --- REFER SHEET NO.

1. F.F.L.--FINISHED FLOOR LEVEL
2. S.F.L.--STRUCTURAL FLOOR LEVEL
3. (R) --REVERSED DETAIL
4. GLASS LEGEND  
G1--6mmHS+12mm AIR GAP+10mmTP THK. I.G.U.  
G2--6mmHS+12mm AIR GAP+8mmTP THK. I.G.U.  
G8-6mm CRISTAL GREY TP+1.52PV8+6mm CLEAR TP

NO.	DATE	REVISION SUBJECT TO ARCH.COMMENT	HR
A	25/11/2021		

JOB NO. : J-859  
PROJECT : PROPOSED RESIDENTIAL / COMMERCIAL DEVELOPMENT AT NKIL NO.6551 KAI TAK AREA 4C, SITE 3 KAI TAK, KOWLOON

TITLE : WINDOW SCHEDULE FOR PRECAST FAÇADE AT TOWER 7

DATE : 13-Nov-21 SCALE : 1:50 (A3)  
DRAWN BY : LHR CHECKED BY :

**MIDI** ALUMINIUM FABRICATOR LTD.  
Units 6-8, Sunray Industrial Centre, 1/F  
610 Cho Kwo Ling Road, Kowloon  
Tel:23489211-4 Fax:8527272666  
DWG NO. : J859-SD-PW-7101 REV. : A

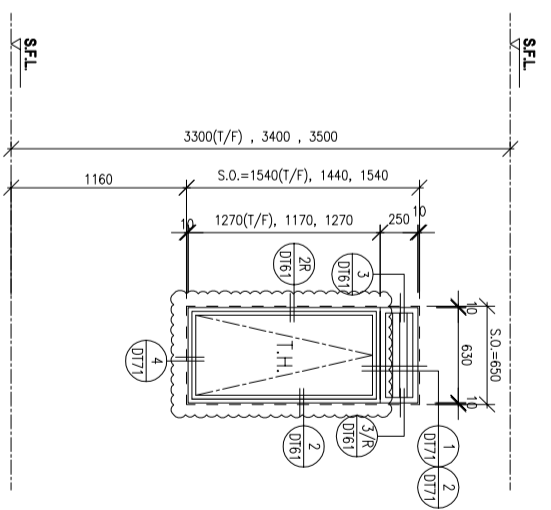
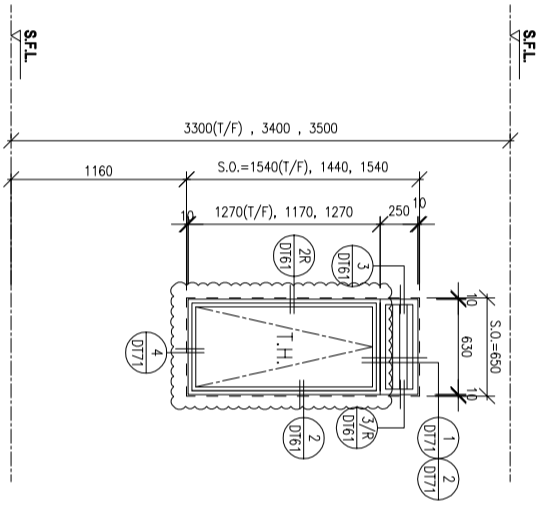
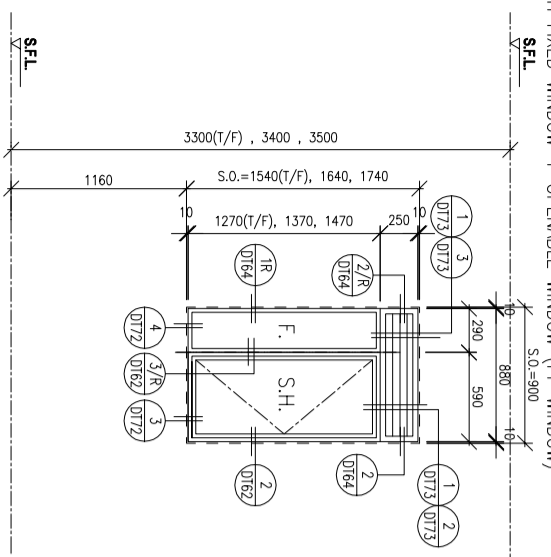
FREE AREA(%)	S.O.	OPENABLE AREA	GLAZING AREA
58.1%	1540	0.60	0.70
	S.O.	OPENABLE AREA	GLAZING AREA
	1640	0.65	0.76
	S.O.	OPENABLE AREA	GLAZING AREA
	1740	0.70	0.80

FREE AREA(%)	S.O.	OPENABLE AREA	GLAZING AREA
50%	1540	0.64	0.54
	S.O.	OPENABLE AREA	GLAZING AREA
	1440	0.59	0.49

FREE AREA(%)	S.O.	OPENABLE AREA	GLAZING AREA
50%	1540	0.64	0.54
	S.O.	OPENABLE AREA	GLAZING AREA
	1440	0.59	0.49

B.O. REF :

TYPE 3 - 1270H FIXED WINDOW + OPENABLE WINDOW (PF WINDOW)

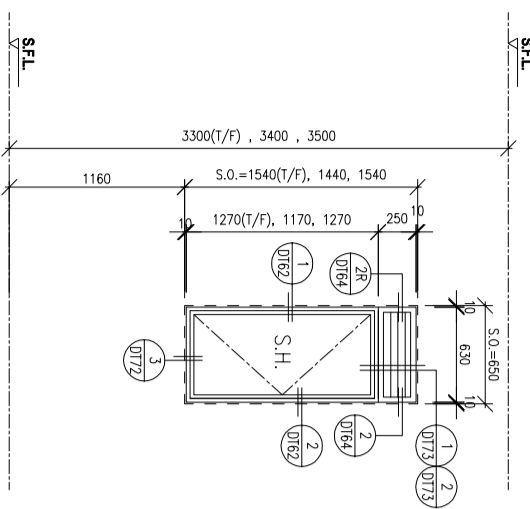


WINDOW MARK	W1 T8	6 nos.
LOCATION	FLAT A KIT AT 2/F TO 8/F FLOOR (T8) (4/F OMITTED)	
GLAZING	G1,G2	
WINDOW FRAME	70mm ALUM. WINDOW SECTION	

WINDOW MARK	W3 T8	23 nos.
LOCATION	ST-2 AT 2/F TO 28/F FLOOR (T8) (4,13,14,24/F OMITTED)	
GLAZING	G8	
WINDOW FRAME	50mm ALUM. WINDOW SECTION	

WINDOW MARK	W4 T8	23 nos.
LOCATION	EMR AT 2/F TO 28/F FLOOR (T8) (4,13,14,24/F OMITTED)	
GLAZING	G8	
WINDOW FRAME	50mm ALUM. WINDOW SECTION	

FREE AREA(%)	S.O.	OPENABLE AREA	GLAZING AREA
50%	1540	0.64	0.54
	S.O.	OPENABLE AREA	GLAZING AREA
	1440	0.59	0.49



WINDOW MARK	W6 T8	21 nos.
LOCATION	FLAT A BATH AT 2/F TO 26/F FLOOR (T8) (4,13,14,24/F OMITTED)	
GLAZING	G2	
WINDOW FRAME	70mm ALUM. WINDOW SECTION	

WINDOW MARK	W6 T8	21 nos.
LOCATION	FLAT A BATH AT 2/F TO 26/F FLOOR (T8) (4,13,14,24/F OMITTED)	
GLAZING	G2	
WINDOW FRAME	70mm ALUM. WINDOW SECTION	

WINDOW MARK	W6 T8	21 nos.
LOCATION	FLAT A BATH AT 2/F TO 26/F FLOOR (T8) (4,13,14,24/F OMITTED)	
GLAZING	G2	
WINDOW FRAME	70mm ALUM. WINDOW SECTION	

ARCHITECT :  
**W T**  
WONG TUNG & PARTNERS LIMITED  
ARCHITECTS & PLANNERS

STRUCTURAL ENGINEER :  
**SK SUN HUNG KAI**  
ARCHITECTS AND ENGINEERS LTD.  
SUN HUNG KAI CENTRE, WANCHAI, HONGKONG  
TEL. 28278111 FAX. 28272884

FAÇADE CONSULTANT:  
**ALPHA CONSULTING LIMITED**  
Steel Structure & Façade Specialist

MAIN CONTRACTOR :  
Sanfield Engineering  
Construction Ltd.

CLIENT :  
**SK SUN HUNG KAI**  
REAL ESTATE AGENCY LTD.  
42/F SUN HUNG KAI CENTRE, WANCHAI, HONGKONG

NOTE :  
1. ALL DIMENSIONS ARE IN mm.  
2. ALL ELEVATIONS ARE VIEWED FROM OUTSIDE.  
3. ALL DIMENSIONS TO BE VERIFIED ON SITE BEFORE FABRICATION.

LEGEND :  
X1 --- DETAIL MARK NO.  
X001 --- REFER SHEET NO.

1. F.F.L.--FINISHED FLOOR LEVEL  
2. S.F.L.--STRUCTURAL FLOOR LEVEL  
3. (R) --REVERSED DETAIL  
4. GLASS LEGEND  
G1--6mmHS+12mm AIR GAP+10mmTP THK. I.G.U.  
G2--6mmHS+12mm AIR GAP+8mmTP THK. I.G.U.  
G8--6mm CRISTAL GREY TP+1.52PV8+6mm CLEAR TP

NO.	DATE	REVISION SUBJECT TO ARCH.COMMENT	LHR
A	25/11/2021		

JOB NO. : J-859

PROJECT :  
PROPOSED RESIDENTIAL / COMMERCIAL  
DEVELOPMENT AT NKIL NO.6551 KAI  
TAK AREA 4C, SITE 3  
KAI TAK, KOWLOON

TITLE :  
WINDOW SCHEDULE  
FOR PRECAST FAÇADE  
AT TOWER 8

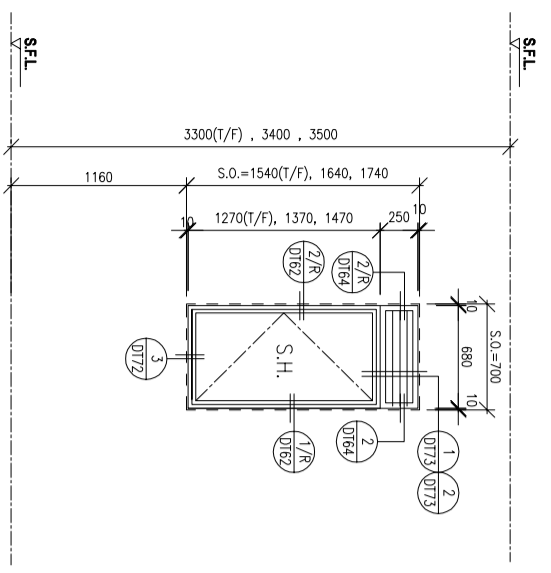
DATE : 13-Nov-21 SCALE : 1:50 (A3)

DRAWN BY : LHR CHECKED BY :

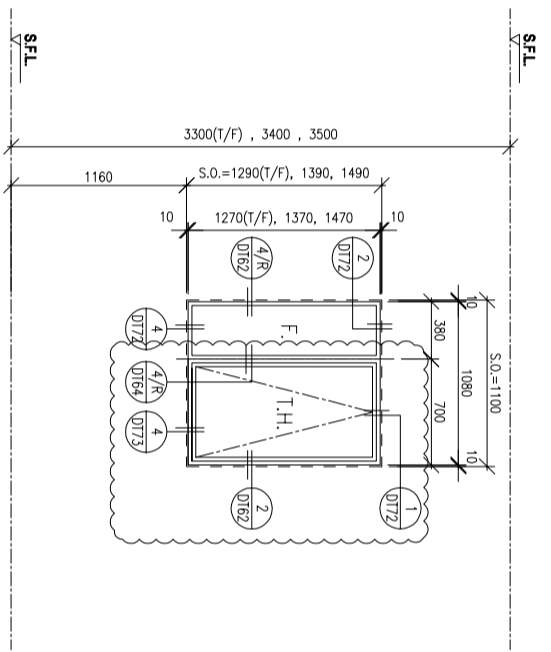
Units 6-8, Sunco Industrial Centre, 1/F  
610 Cho Kwo Ling Road, Kowloon  
Tel:23489211-4 Fax:8527272666  
DWG NO. : J859-SD-PW-8101 REV. : A

**美特鋁質有限公司**  
MIDI ALUMINIUM FABRICATOR LTD.  
610 Cho Kwo Ling Road, Kowloon  
Tel:23489211-4 Fax:8527272666

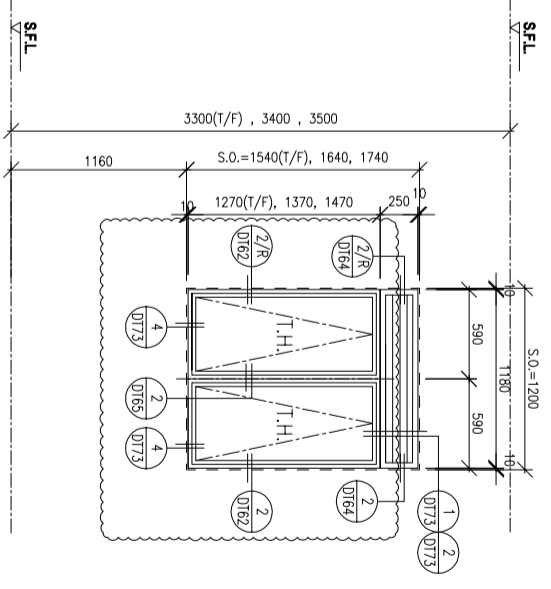
FREE AREA(%)	S.O.	OPENABLE AREA	GLAZING AREA
58.1%	1540	0.70	0.60
	S.O.	OPENABLE AREA	GLAZING AREA
	1640	0.76	0.65
	S.O.	OPENABLE AREA	GLAZING AREA
	1740	0.82	0.70



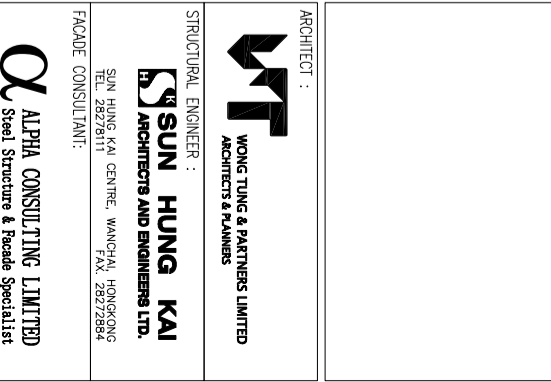
FREE AREA(%)	S.O.	OPENABLE AREA	GLAZING AREA
58.1%	1290	0.73	0.95
	S.O.	OPENABLE AREA	GLAZING AREA
	1390	0.79	1.01
	S.O.	OPENABLE AREA	GLAZING AREA
	1490	0.79	1.01



FREE AREA(%)	S.O.	OPENABLE AREA	GLAZING AREA
58.1%	1540	1.20	1.00
	S.O.	OPENABLE AREA	GLAZING AREA
	1640	1.30	1.09
	S.O.	OPENABLE AREA	GLAZING AREA
	1740	1.40	1.18



FREE AREA(%)	S.O.	OPENABLE AREA	GLAZING AREA
58.1%	1290	0.81	0.71
	S.O.	OPENABLE AREA	GLAZING AREA
	1385	0.88	0.77
	S.O.	OPENABLE AREA	GLAZING AREA
	1485	0.95	0.83



WINDOW MARK	LOCATION	GLAZING	WINDOW FRAME
W1	FLAT B BATH AT 2/F TO 25/F FLOOR (19)	G20	70mm ALUM. WINDOW SECTION

WINDOW MARK	LOCATION	GLAZING	WINDOW FRAME
W3	FLAT B LV/DIN AT 2/F TO 25/F FLOOR (19)	G1, G2	70mm ALUM. WINDOW SECTION

WINDOW MARK	LOCATION	GLAZING	WINDOW FRAME
W4	FLAT B KIT AT 2/F TO 25/F FLOOR (19)	G2	70mm ALUM. WINDOW SECTION

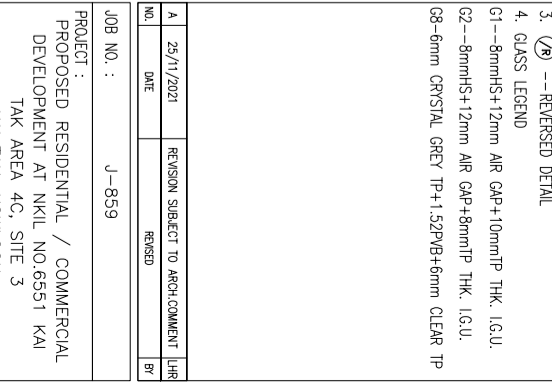
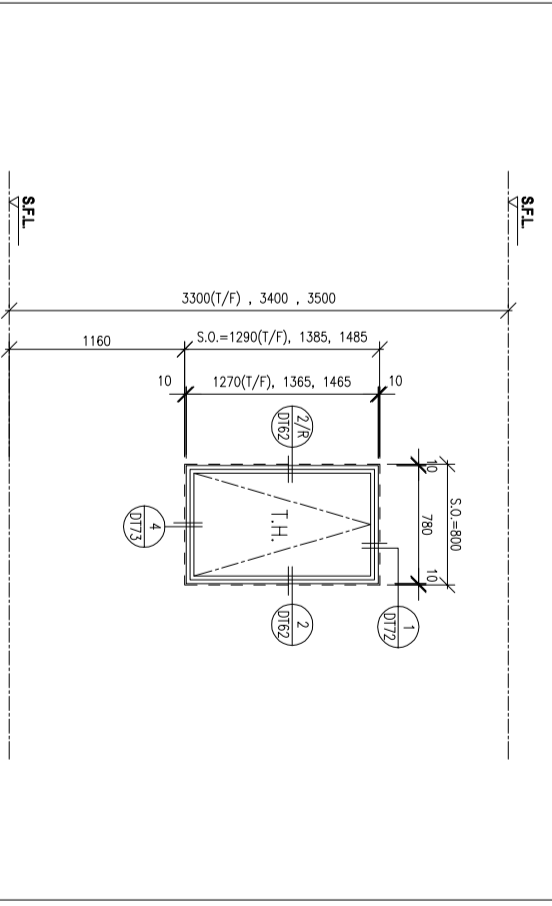
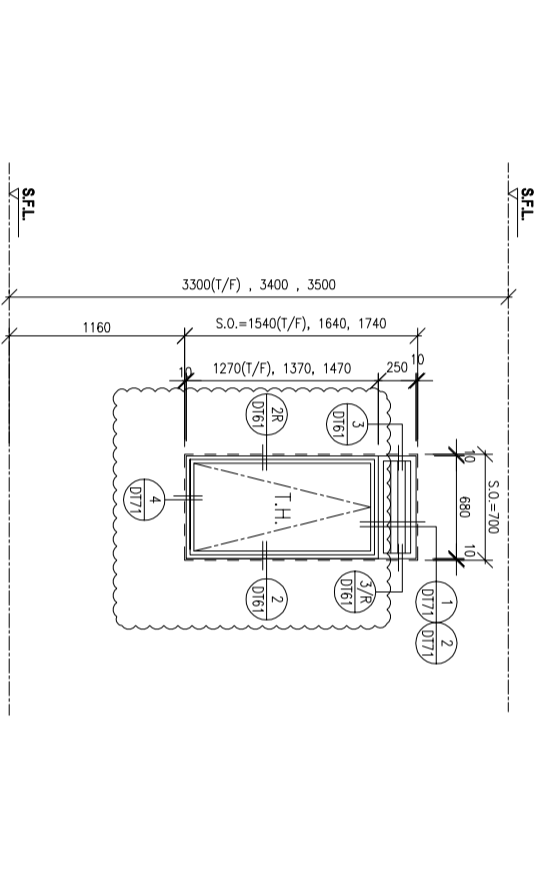
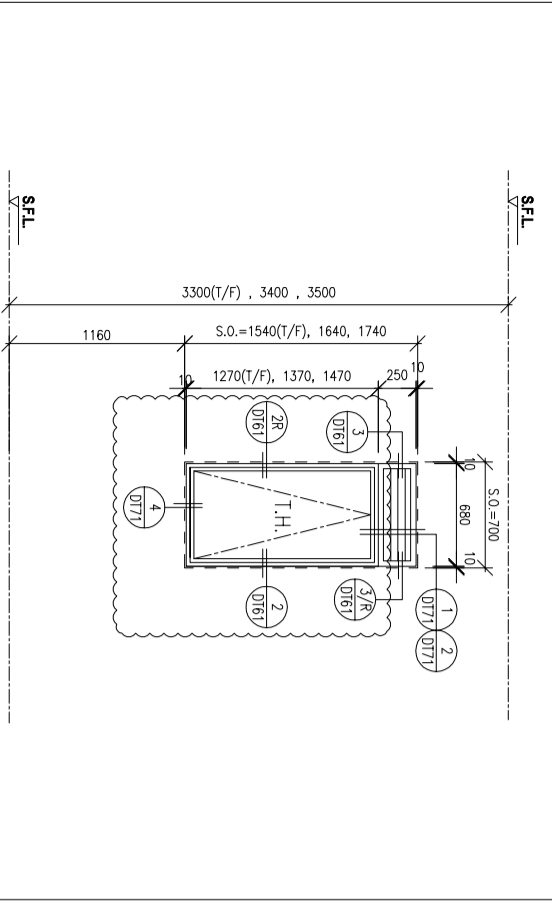
WINDOW MARK	LOCATION	GLAZING	WINDOW FRAME
W5	MAID ROOM AT 2/F TO 8/F FLOOR (19)	G8	50mm ALUM. WINDOW SECTION

WINDOW MARK	LOCATION	GLAZING	WINDOW FRAME
W5	MAID ROOM AT 2/F TO 8/F FLOOR (19)	G8	50mm ALUM. WINDOW SECTION

WINDOW MARK	LOCATION	GLAZING	WINDOW FRAME
W6	RSMR AT 2/F TO 26/F FLOOR (19)	G8	50mm ALUM. WINDOW SECTION

WINDOW MARK	LOCATION	GLAZING	WINDOW FRAME
W9	FLAT A BR3 AT 2/F TO 8/F FLOOR (19)	G2	70mm ALUM. WINDOW SECTION

WINDOW MARK	LOCATION	GLAZING	WINDOW FRAME
W9	FLAT A BR3 AT 2/F TO 8/F FLOOR (19)	G2	70mm ALUM. WINDOW SECTION



WINDOW MARK	LOCATION	GLAZING	WINDOW FRAME
W5	MAID ROOM AT 2/F TO 8/F FLOOR (19)	G8	50mm ALUM. WINDOW SECTION

WINDOW MARK	LOCATION	GLAZING	WINDOW FRAME
W6	RSMR AT 2/F TO 26/F FLOOR (19)	G8	50mm ALUM. WINDOW SECTION

WINDOW MARK	LOCATION	GLAZING	WINDOW FRAME
W9	FLAT A BR3 AT 2/F TO 8/F FLOOR (19)	G2	70mm ALUM. WINDOW SECTION

WINDOW MARK	LOCATION	GLAZING	WINDOW FRAME
W9	FLAT A BR3 AT 2/F TO 8/F FLOOR (19)	G2	70mm ALUM. WINDOW SECTION

B.O. REF :  
 ARCHITECT :  
**WONG TUNG & PARTNERS LIMITED**  
 ARCHITECTS & PLANNERS  
 STRUCTURAL ENGINEER :  
**SUN HUNG KAI**  
 ARCHITECTS AND ENGINEERS LTD.  
 SUN HUNG KAI CENTRE, WANCHAI, HONGKONG  
 TEL. 28278111 FAX. 28272884  
 FACADE CONSULTANT:  
**ALPHA CONSULTING LIMITED**  
 Steel Structure & Facade Specialist  
 MAIN CONTRACTOR :  
**Sanfield Engineering Construction Ltd.**  
 CLIENT :  
**SUN HUNG KAI**  
 REAL ESTATE AGENCY LTD.  
 42/F SUN HUNG KAI CENTRE, WANCHAI, HONGKONG

NOTE :  
 1. ALL DIMENSIONS ARE IN mm.  
 2. ALL ELEVATIONS ARE VIEWED FROM OUTSIDE.  
 3. ALL DIMENSIONS TO BE VERIFIED ON SITE BEFORE FABRICATION.  
 LEGEND :  
 X1 --- DETAIL MARK NO.  
 X001 --- REFER SHEET NO.  
 1. F.F.L. --- FINISHED FLOOR LEVEL  
 2. S.F.L. --- STRUCTURAL FLOOR LEVEL  
 3. (R) --- REVERSED DETAIL  
 4. GLASS LEGEND  
 G1 --- 6mmHS+12mm AIR GAP+10mmTP THK. I.G.U.  
 G2 --- 6mmHS+12mm AIR GAP+8mmTP THK. I.G.U.  
 G8 --- 6mm CRYSAL GREY TP+1.52PVB+6mm CLEAR TP

PROJECT :  
 PROPOSED RESIDENTIAL / COMMERCIAL DEVELOPMENT AT NKIL NO.6551 KAI TAK AREA 4C, SITE 3 KAI TAK, KOWLOON

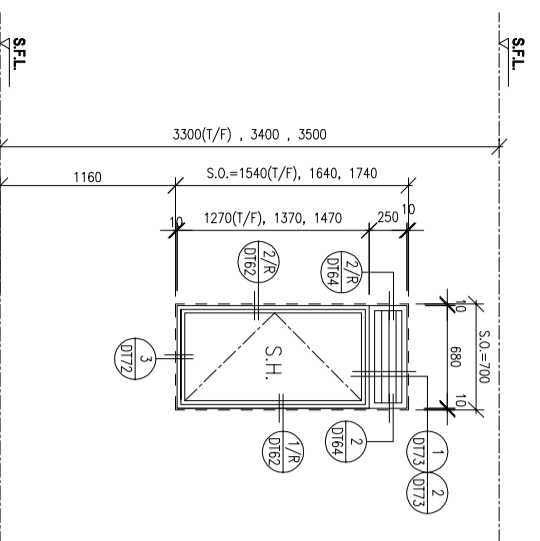
JOB NO. : J-859

DATE : 13-Nov-21 SCALE : 1:50 (A3)  
 DRAWN BY : LHR CHECKED BY :  
 TITLE : WINDOW SCHEDULE FOR PRECAST FACADE AT TOWER 9

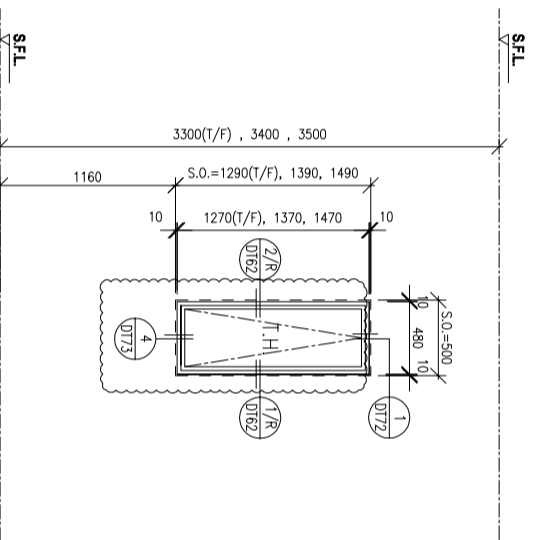
Units 6-8, Sunny Industrial Centre, 1/F  
 610 Cho Kwo Ling Road, Kowloon  
 Tel:23489211-4 Fax:18522727666  
 DWG NO. : J859-SD-PW-9101 REV. : A



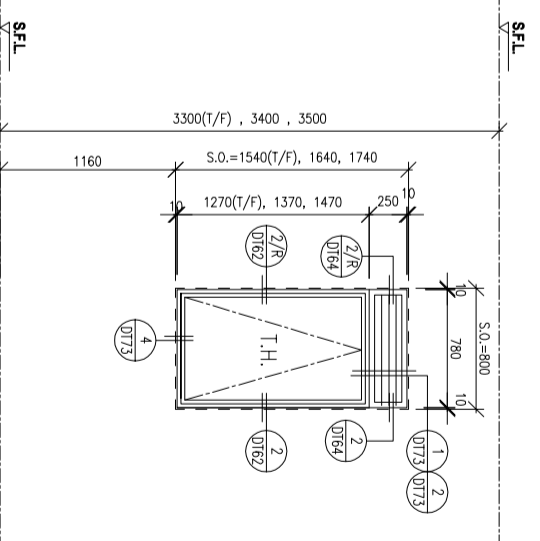
FREE AREA(%)	S.O.	OPENABLE AREA	GLAZING AREA
58.1%	1540	0.70	0.60
	S.O.	OPENABLE AREA	GLAZING AREA
	1640	0.76	0.65
	S.O.	OPENABLE AREA	GLAZING AREA
	1740	0.82	0.70



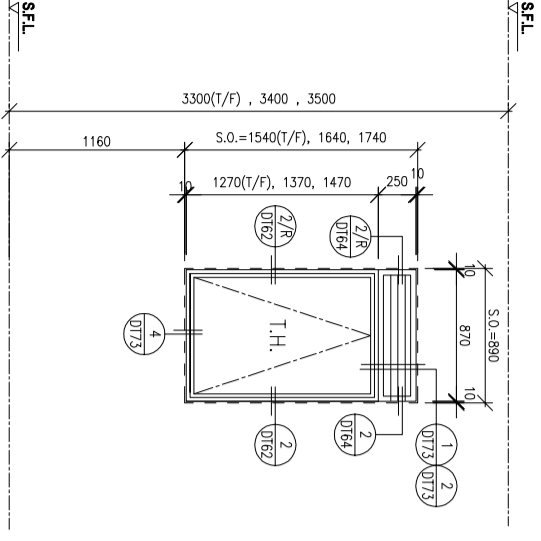
FREE AREA(%)	S.O.	OPENABLE AREA	GLAZING AREA
58.1%	1290	0.46	0.37
	S.O.	OPENABLE AREA	GLAZING AREA
	1390	0.50	0.40
	S.O.	OPENABLE AREA	GLAZING AREA
	1490	0.54	0.44



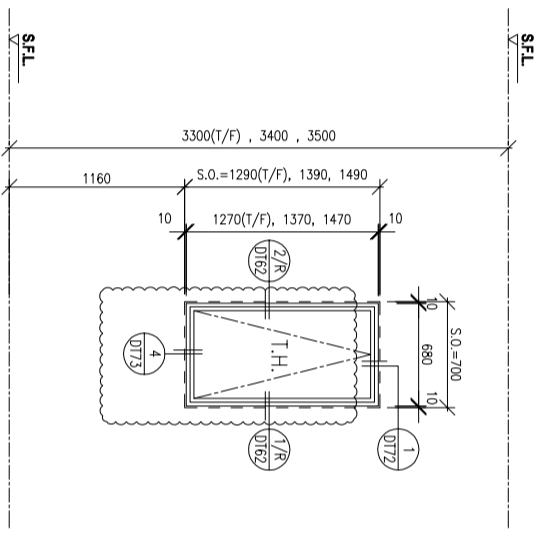
FREE AREA(%)	S.O.	OPENABLE AREA	GLAZING AREA
58.1%	1540	0.82	0.71
	S.O.	OPENABLE AREA	GLAZING AREA
	1640	0.89	0.77
	S.O.	OPENABLE AREA	GLAZING AREA
	1740	0.96	0.83



FREE AREA(%)	S.O.	OPENABLE AREA	GLAZING AREA
58.1%	1540	0.92	0.81
	S.O.	OPENABLE AREA	GLAZING AREA
	1640	1.00	0.88
	S.O.	OPENABLE AREA	GLAZING AREA
	1740	1.08	0.95



FREE AREA(%)	S.O.	OPENABLE AREA	GLAZING AREA
58.1%	0.70	0.59	0.59
	S.O.	OPENABLE AREA	GLAZING AREA
	1390	0.76	0.65
	S.O.	OPENABLE AREA	GLAZING AREA
	1490	0.81	0.70



WINDOW MARK	W4 T9A 21 nos.
LOCATION	UNIT A KIT AT 2/F TO 26/F FLOOR (T9A) (4,13,14,24/F OMITTED)
GLAZING	G2
WINDOW FRAME	70mm ALUM. WINDOW SECTION

WINDOW MARK	W5 T9A 6 nos.
LOCATION	UNIT A BR2 2/F TO 8/F FLOOR (T9A) (4/F OMITTED)
GLAZING	G2
WINDOW FRAME	70mm ALUM. WINDOW SECTION

WINDOW MARK	W3 T9A 21 nos.
LOCATION	UNIT B KIT AT 2/F TO 26/F FLOOR (T9A) (4,13,14,24/F OMITTED)
GLAZING	G2
WINDOW FRAME	70mm ALUM. WINDOW SECTION

B.O. REF :

ARCHITECT :  
**W T**  
WONG TUNG & PARTNERS LIMITED  
ARCHITECTS & PLANNERS

STRUCTURAL ENGINEER :  
**S K SUN HUNG KAI**  
ARCHITECTS AND ENGINEERS LTD.  
SUN HUNG KAI CENTRE, WANCHAI, HONGKONG  
TEL: 28278111 FAX: 28272884

FAÇADE CONSULTANT:  
**ALPHA CONSULTING LIMITED**  
Steel Structure & Façade Specialist

MAIN CONTRACTOR :  
Sanfield Engineering  
Construction Ltd.

CLIENT :  
**SUN HUNG KAI**  
REAL ESTATE AGENCY LTD.  
42/F SUN HUNG KAI CENTRE, WANCHAI, HONGKONG

NOTE :  
1. ALL DIMENSIONS ARE IN mm.  
2. ALL ELEVATIONS ARE VIEWED FROM OUTSIDE.  
3. ALL DIMENSIONS TO BE VERIFIED ON SITE BEFORE FABRICATION.

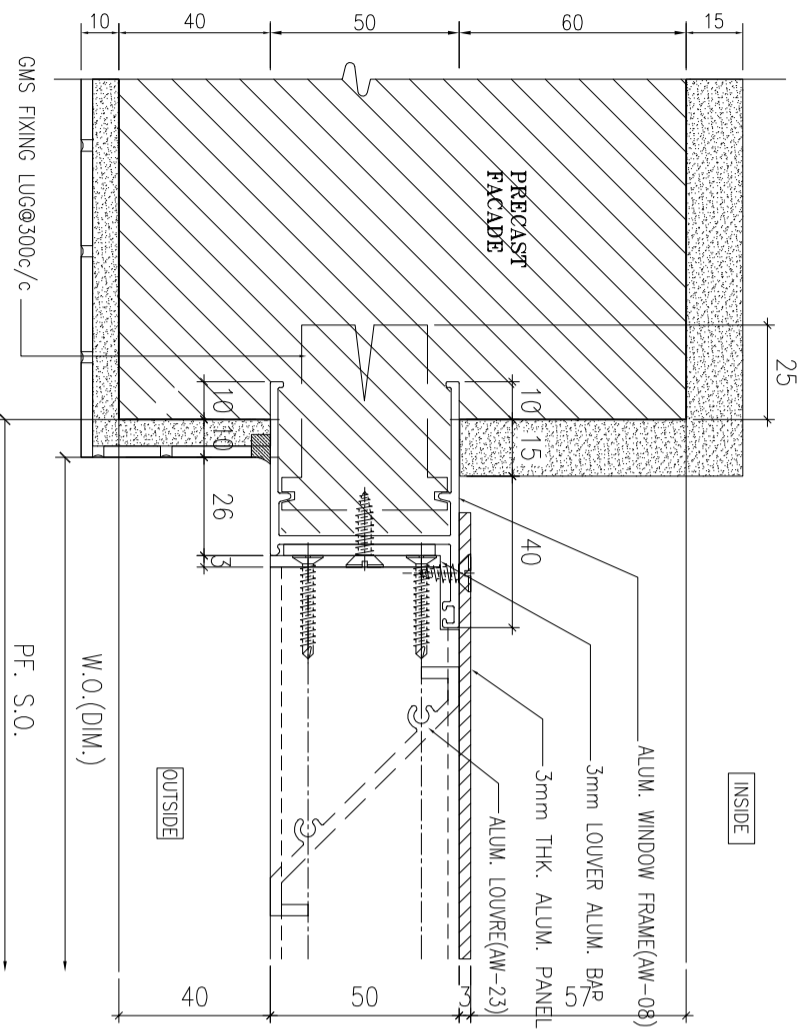
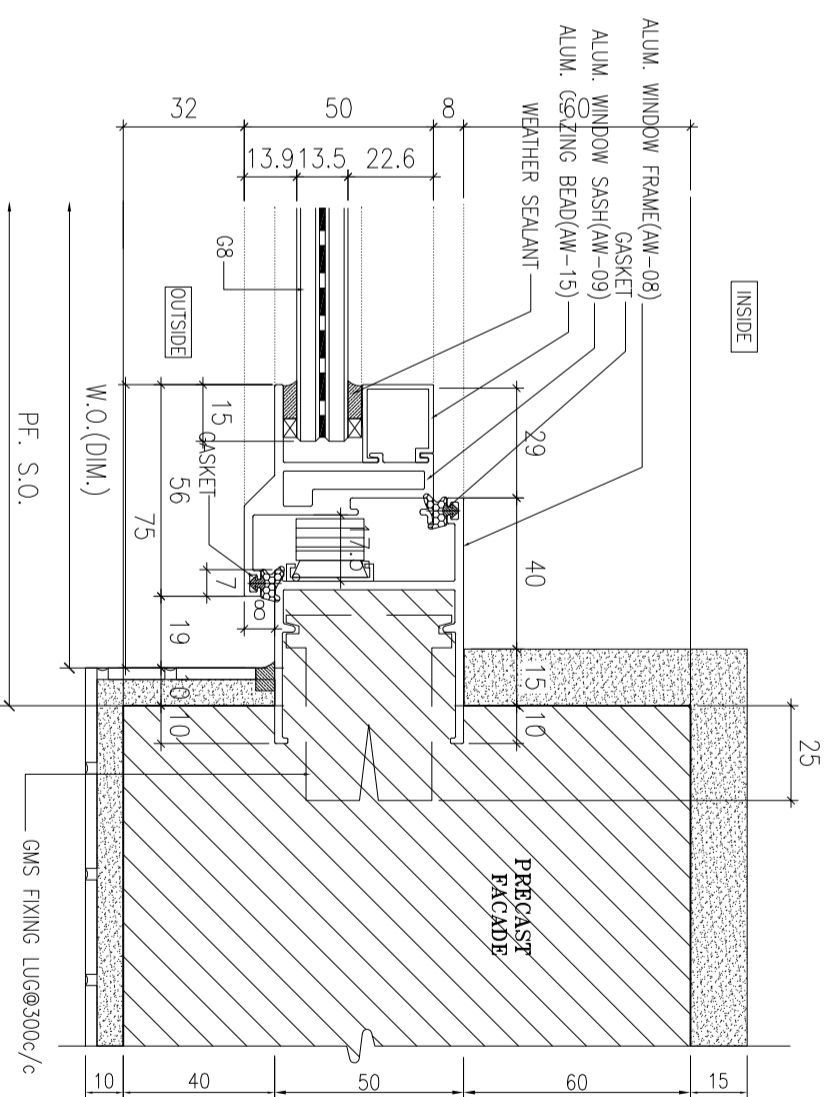
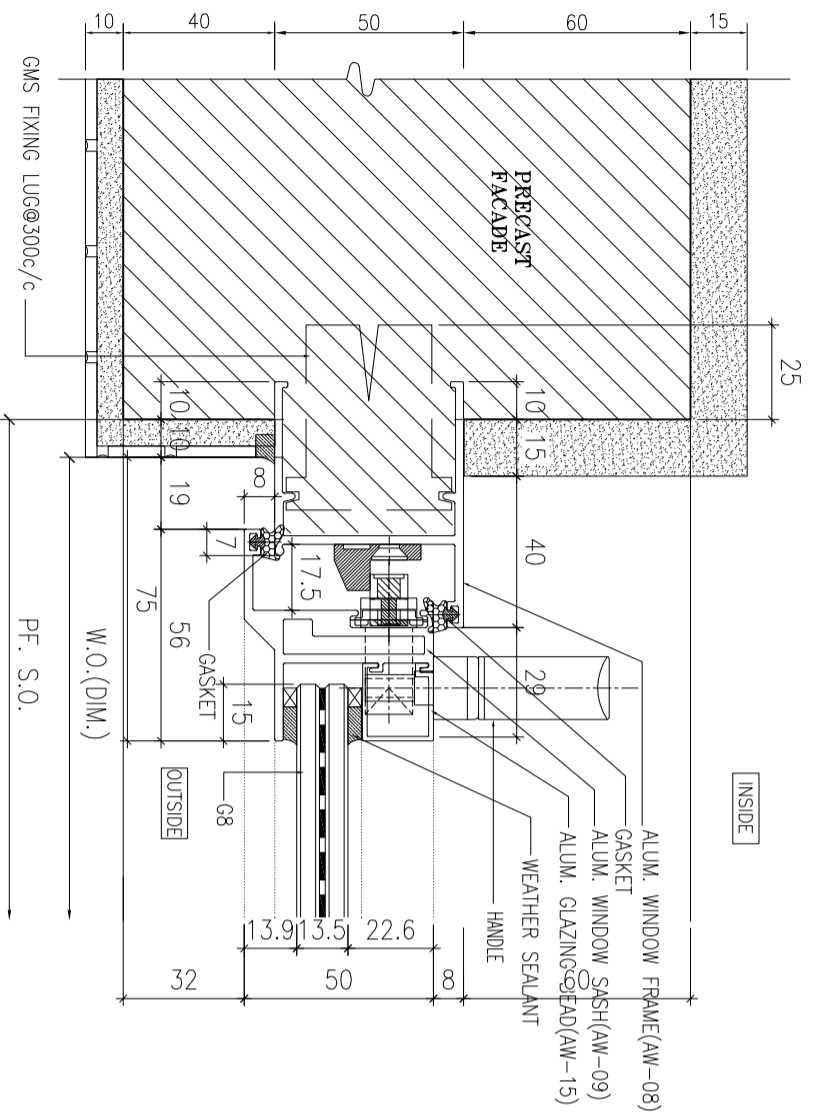
LEGEND :  
X1 --- DETAIL MARK NO.  
X001 --- REFER SHEET NO.  
1. F.F.L. --- FINISHED FLOOR LEVEL  
2. S.F.L. --- STRUCTURAL FLOOR LEVEL  
3. (R) --- REVERSED DETAIL  
4. GLASS LEGEND  
G1 --- 6mmHS+12mm AIR GAP+10mmTP THK. I.G.U.  
G2 --- 6mmHS+12mm AIR GAP+8mmTP THK. I.G.U.  
G8 --- 6mm CRYSAL GREY TP+1.52PV8+6mm CLEAR TP

NO.	DATE	REVISION SUBJECT TO ARCH/COMMENT	LHR	BR
A	25/11/2021			

JOB NO. : J-859  
PROJECT : PROPOSED RESIDENTIAL / COMMERCIAL DEVELOPMENT AT NKIL NO.6551 KAI TAK AREA 4C, SITE 3 KAI TAK, KOWLOON  
TITLE : WINDOW SCHEDULE FOR PRECAST FAÇADE AT TOWER 9

DATE : 13-Nov-21 SCALE : 1:50 (A3)  
DRAWN BY : LHR CHECKED BY :  
MIDI ALUMINIUM FABRICATOR LTD.  
Units 6-8, Sunny Industrial Centre, 1/F  
610 Cho Kwo Ling Road, Kowloon  
Tel:23489211-4 Fax:18527272666  
DWG NO. : J859-SD-PW-9103 REV. : A

**美特鋁質有限公司**  
MIDI ALUMINIUM FABRICATOR LTD.  
Units 6-8, Sunny Industrial Centre, 1/F  
610 Cho Kwo Ling Road, Kowloon  
Tel:23489211-4 Fax:18527272666  
DWG NO. : J859-SD-PW-9103 REV. : A



NOTE:

1. ALL DIMENSIONS ARE IN mm.
2. ALL ELEVATIONS ARE VIEWED FROM OUTSIDE.
3. ALL DIMENSIONS TO BE VERIFIED ON SITE BEFORE FABRICATION.

LEGEND:

X1 --- DETAIL MARK NO.  
 X001 --- REFER SHEET NO.

1. F.F.L.--FINISHED FLOOR LEVEL
2. S.F.L.--STRUCTURAL FLOOR LEVEL
3. (R) --REVERSED DETAIL
4. GLASS LEGEND  
 G1--8mmHS+12mm AIR GAP+10mmTP THK. I.G.U.  
 G2--8mmHS+12mm AIR GAP+8mmTP THK. I.G.U.  
 G3--6mm CRISTAL GREY TP+1.52PV8+6mm CLEAR TP

B.O. REF :

ARCHITECT : **W T** WONG TUNG & PARTNERS LIMITED ARCHITECTS & PLANNERS

STRUCTURAL ENGINEER : **SK SUN HUNG KAI** ARCHITECTS AND ENGINEERS LTD.  
 SUN HUNG KAI CENTRE, WANCHAI, HONGKONG  
 TEL. 28278111 FAX. 28272884

FAÇADE CONSULTANT: **ALPHA CONSULTING LIMITED** Steel Structure & Façade Specialist

MAIN CONTRACTOR : Sanfield Engineering Construction Ltd.

CLIENT : **SUN HUNG KAI REAL ESTATE AGENCY LTD.**  
 42/F SUN HUNG KAI CENTRE, WANCHAI, HONGKONG

NO.	DATE	REVISION	BY
J-859			

JOB NO. : J-859

PROJECT : PROPOSED RESIDENTIAL / COMMERCIAL DEVELOPMENT AT NKIL NO.6551 KAI TAK AREA 4C, SITE 3 KAI TAK, KOWLOON

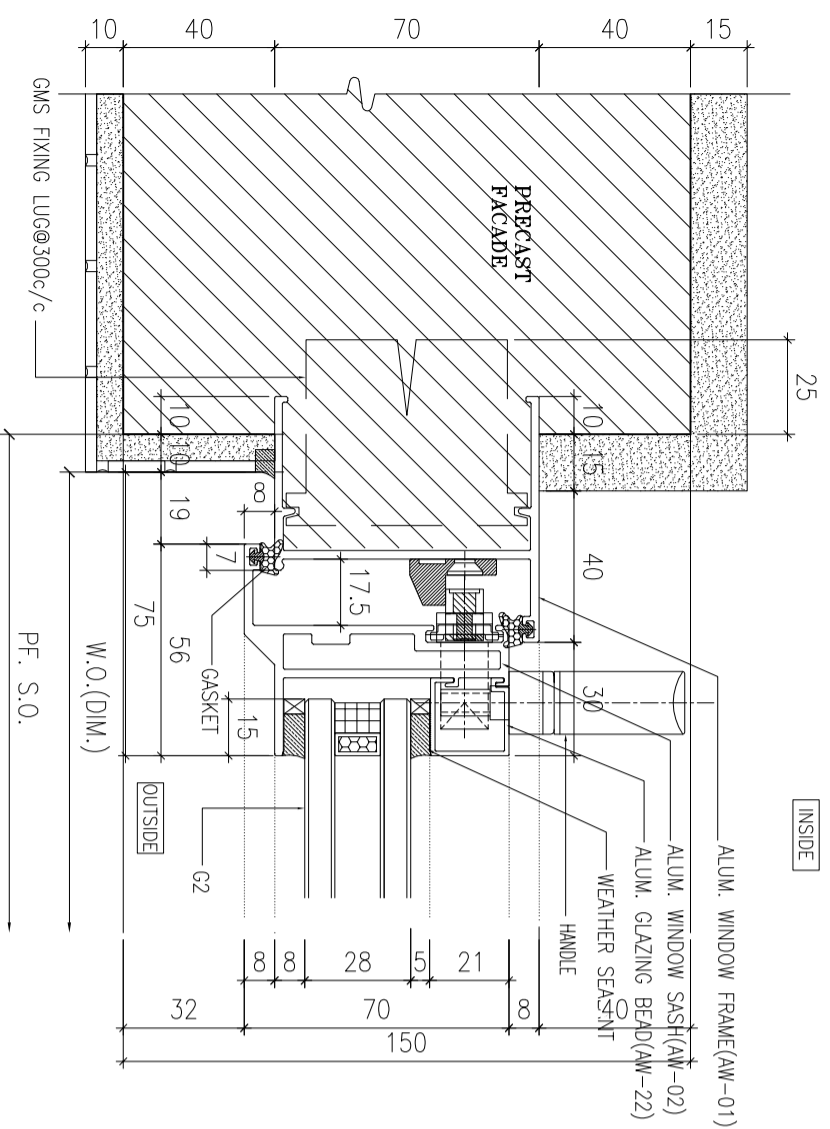
TITLE : TYPICAL DETAILS FOR ALUM. WINDOW

DATE : 10-Nov-21 SCALE : 1:2 (A3)

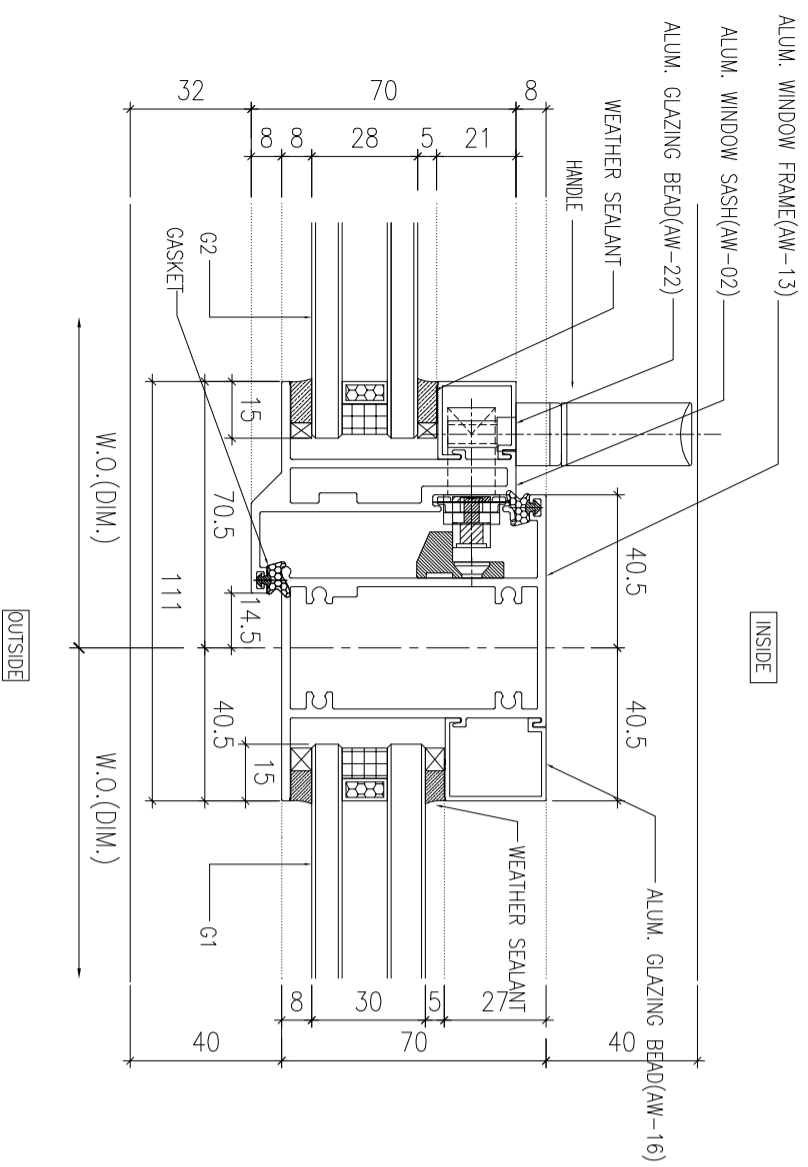
DRAWN BY : LHR CHECKED BY :

**MIDI** ALUMINIUM FABRICATOR LTD.  
 Units 6-8, Sunray Industrial Centre, 1/F  
 610 Cho Kwo Ling Road, Kowloon  
 Tel:23489211-4 Fax:8522727666

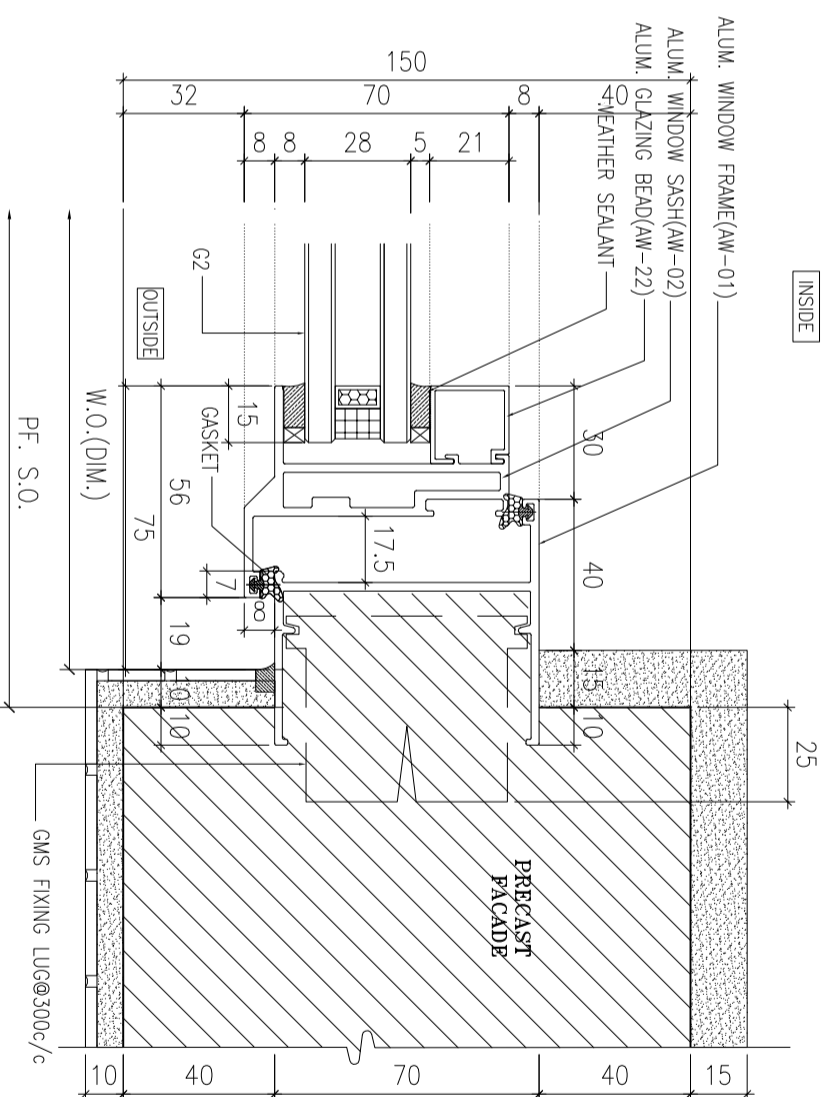
DWG NO. : J859-SD-PW-DT61 REV. : A



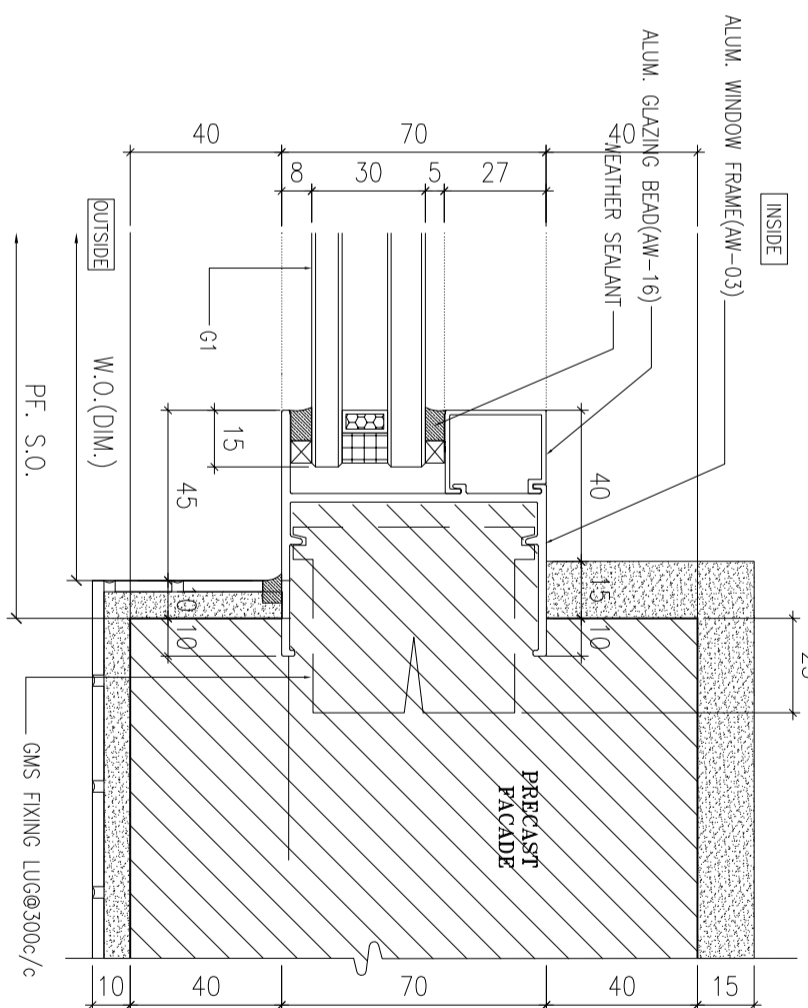
1 HORIZONTAL DETAIL



2 HORIZONTAL DETAIL



3 HORIZONTAL DETAIL



4 HORIZONTAL DETAIL

B.O. REF :

ARCHITECT :  
**W T**  
WONG TUNG & PARTNERS LIMITED  
ARCHITECTS & PLANNERS

STRUCTURAL ENGINEER :  
**SUN HUNG KAI**  
ARCHITECTS AND ENGINEERS LTD.  
SUN HUNG KAI CENTRE, WANCHAI, HONGKONG  
TEL. 28278111 FAX. 28272884

FAÇADE CONSULTANT :  
**ALPHA CONSULTING LIMITED**  
Steel Structure & Façade Specialist

MAIN CONTRACTOR :  
Sanfield Engineering  
Construction Ltd.

CLIENT :  
**SUN HUNG KAI**  
REAL ESTATE AGENCY LTD.  
42/F SUN HUNG KAI CENTRE, WANCHAI, HONGKONG

NOTE :  
1. ALL DIMENSIONS ARE IN mm.  
2. ALL ELEVATIONS ARE VIEWED FROM OUTSIDE.  
3. ALL DIMENSIONS TO BE VERIFIED ON SITE BEFORE FABRICATION.

LEGEND :  
X1 -- DETAIL MARK NO.  
X001 -- REFER SHEET NO.

1. F.F.L.--FINISHED FLOOR LEVEL  
2. S.F.L.--STRUCTURAL FLOOR LEVEL  
3. (R) --REVERSED DETAIL

4. GLASS LEGEND  
G1--8mmH5+12mm AIR GAP+10mmTP THK. LG.U.  
G2--8mmH5+12mm AIR GAP+8mmTP THK. LG.U.  
G8-6mm CRISTAL GREY TP+1.52PV8+6mm CLEAR TP

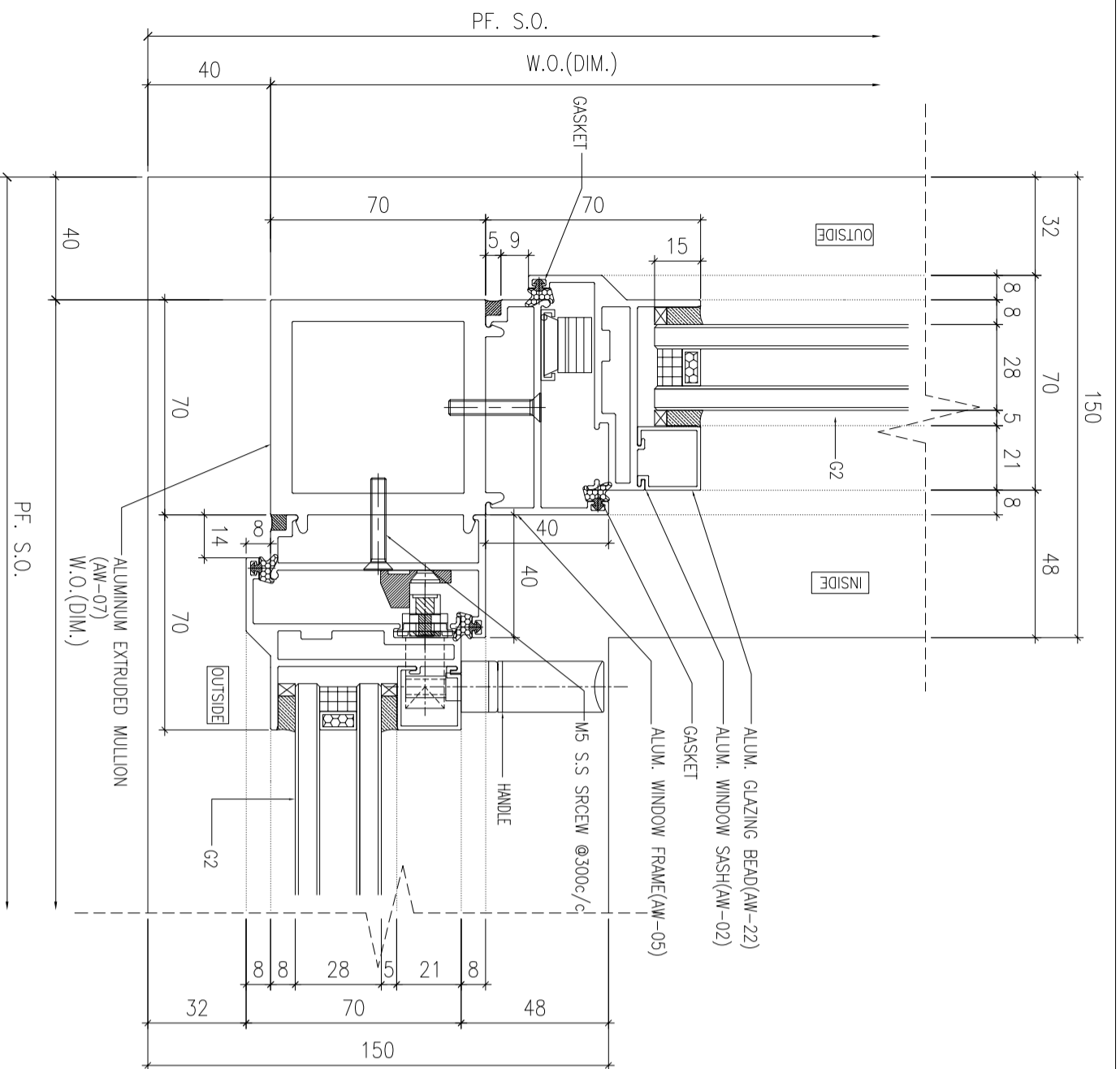
NO.	DATE	REVISION	BY
J-859			

JOB NO. : J-859  
PROJECT : PROPOSED RESIDENTIAL / COMMERCIAL DEVELOPMENT AT NKIL NO.6551 KAI TAK AREA 4C, SITE 3 KAI TAK, KOWLOON  
TITLE : TYPICAL DETAILS FOR ALUM. WINDOW

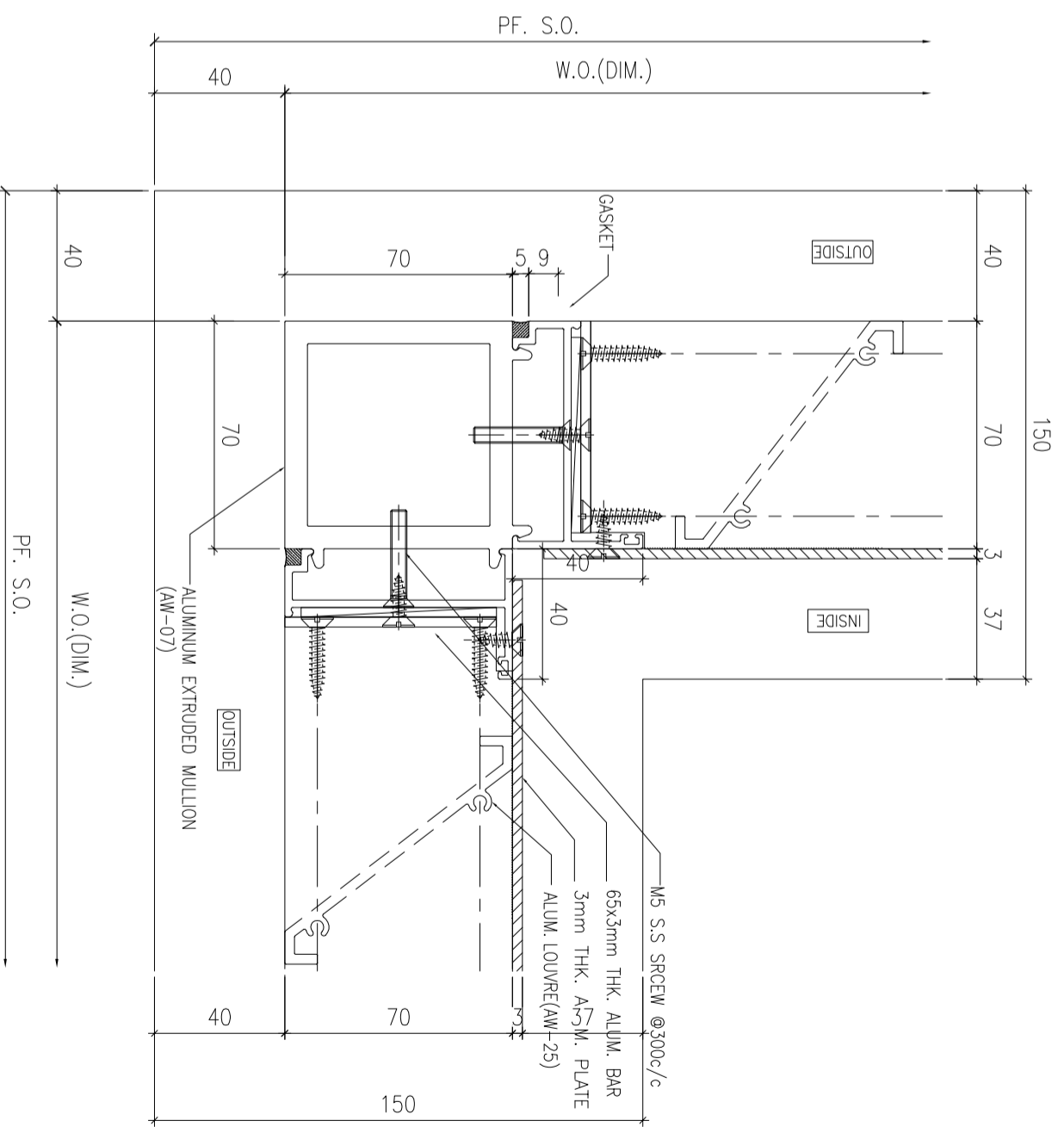
DATE : 10-Nov-21 SCALE : 1:2 (A3)

DRAWN BY : LHR CHECKED BY :

**美特鋁質有限公司**  
MIDI ALUMINIUM FABRICATOR LTD.  
Units 6-8, Sunray Industrial Centre, 1/F  
610 Cho Kwo Ling Road, Kowloon  
Tel:23489211-4 Fax:18527277666  
DWG NO. : J859-SD-PW-DT62 REV. : -



1 HORIZONTAL DETAIL



2 HORIZONTAL DETAIL

B.O. REF :

ARCHITECT :  
**W T**  
**WONG TUNG & PARTNERS LIMITED**  
 ARCHITECTS & PLANNERS

STRUCTURAL ENGINEER :  
**SUN HUNG KAI**  
**ARCHITECTS AND ENGINEERS LTD.**  
 SUN HUNG KAI CENTRE, WANCHAI, HONGKONG  
 TEL. 28278111 FAX. 28272884

FAÇADE CONSULTANT:  
**ALPHA CONSULTING LIMITED**  
 Steel Structure & Façade Specialist

MAIN CONTRACTOR :  
**Sanfield Engineering**  
 Construction Ltd.

CLIENT :  
**SUN HUNG KAI**  
**REAL ESTATE AGENCY LTD.**  
 42/F SUN HUNG KAI CENTRE, WANCHAI, HONGKONG

NOTE :  
 1. ALL DIMENSIONS ARE IN mm.  
 2. ALL ELEVATIONS ARE VIEWED FROM OUTSIDE.  
 3. ALL DIMENSIONS TO BE VERIFIED ON SITE BEFORE FABRICATION.

LEGEND :  
 X1 -- DETAIL MARK NO.  
 X001 -- REFER SHEET NO.

1. F.F.L.--FINISHED FLOOR LEVEL
  2. S.F.L.--STRUCTURAL FLOOR LEVEL
  3. (R) --REVERSED DETAIL
  4. GLASS LEGEND
- G1--6mmHS+12mm AIR GAP+10mmTP THK. I.G.U.  
 G2--6mmHS+12mm AIR GAP+8mmTP THK. I.G.U.  
 G8-6mm CRYS.TAL GREY TP+1.52PV8+6mm CLEAR TP

NO.	DATE	REVISION	BY

JOB NO. : J-859

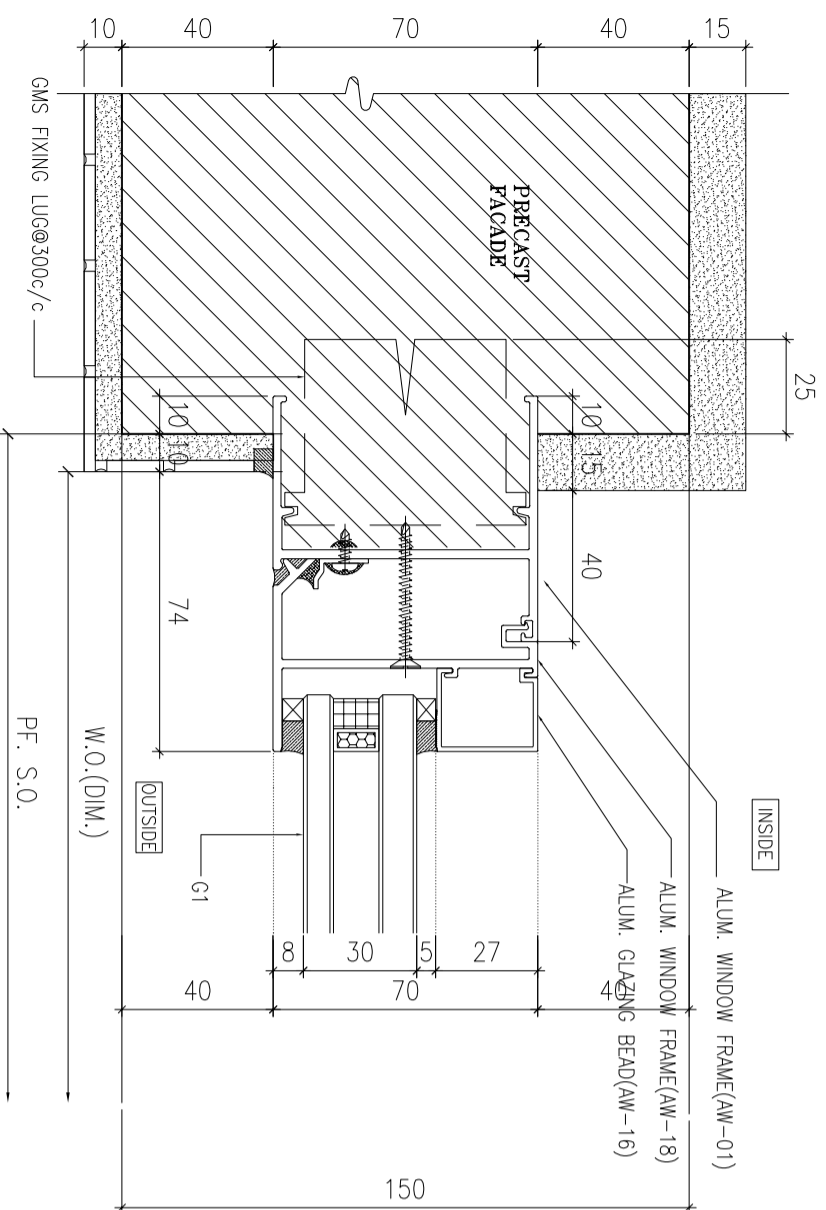
PROJECT :  
 PROPOSED RESIDENTIAL / COMMERCIAL  
 DEVELOPMENT AT NKIL NO.6551 KAI  
 TAK AREA 4C, SITE 3  
 KAI TAK, KOWLOON

TITLE :  
 TYPICAL DETAILS FOR  
 ALUM. WINDOW

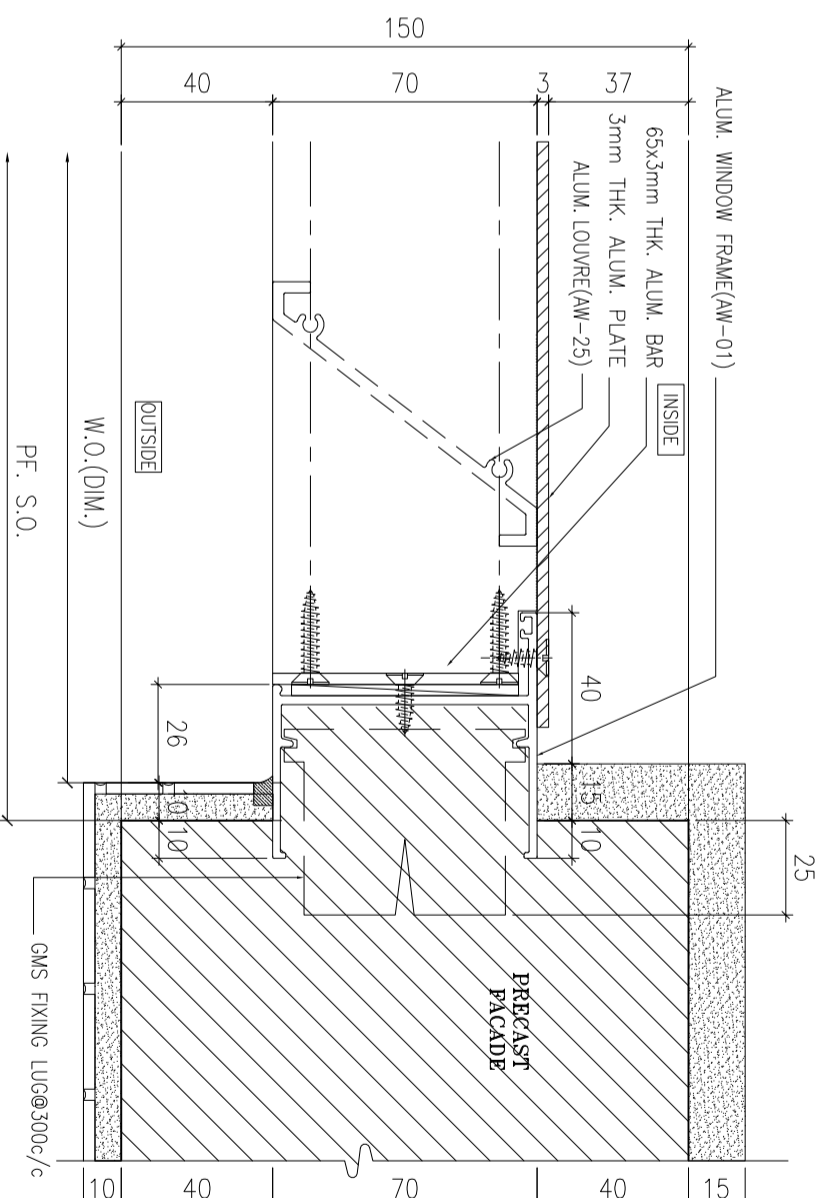
DATE : 10-Nov-21 SCALE : 1:2 (A3)

DRAWN BY : LHR CHECKED BY :

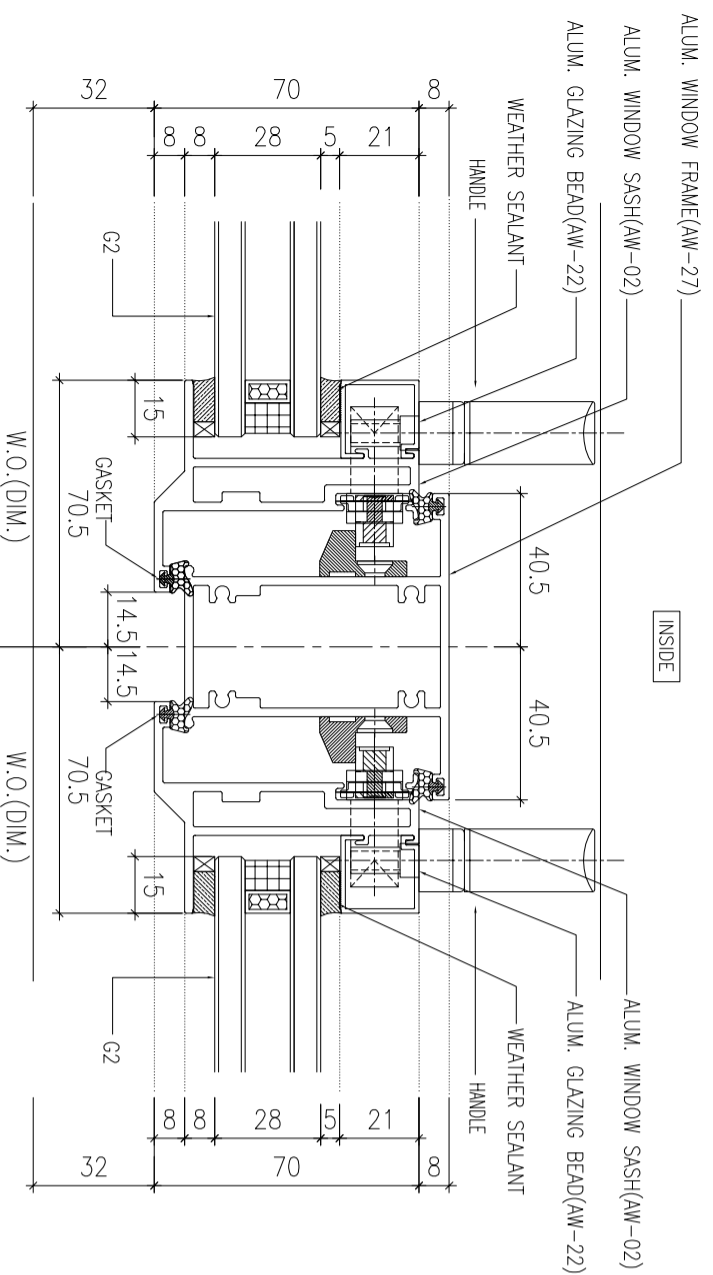
**MIDI** ALUMINIUM FABRICATOR LTD.  
 Units 6-8, Sunny Industrial Centre, 1/F  
 610 Cho Kwo Ling Road, Kowloon  
 Tel:23489211-4 Fax:8522727666  
 DWG NO. : J859-SD-PW-DT63 REV. : -



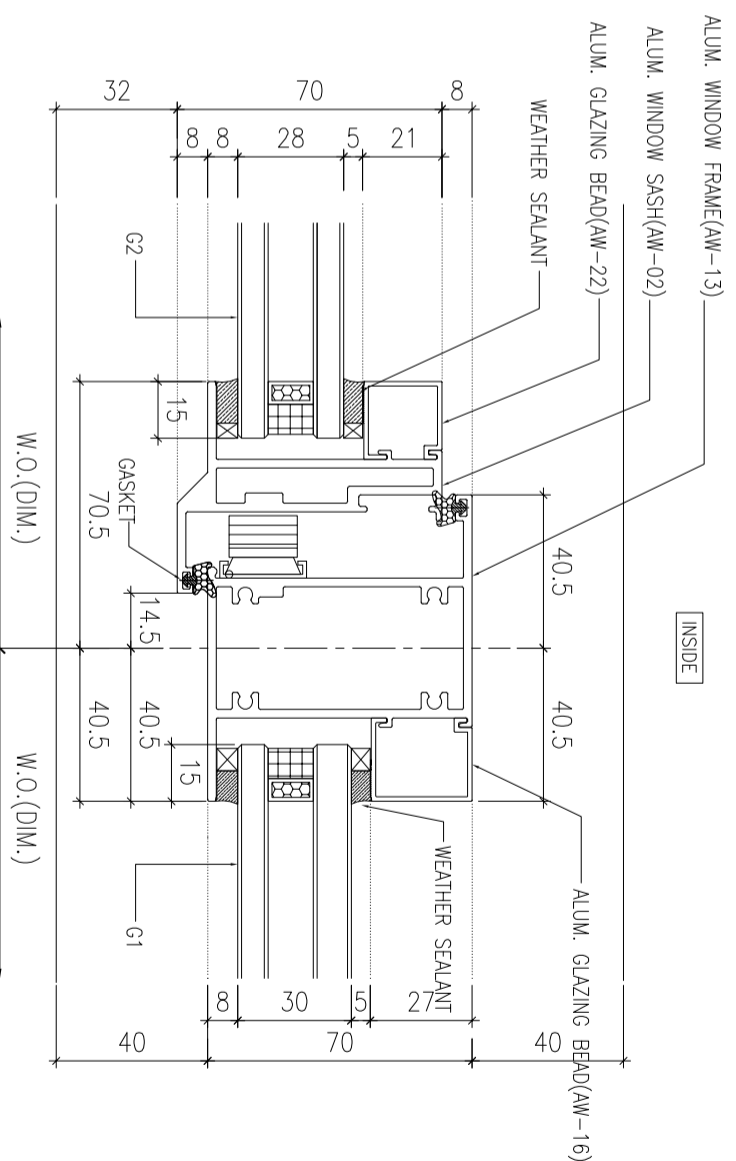
1 HORIZONTAL DETAIL



2 HORIZONTAL DETAIL



3 HORIZONTAL DETAIL



4 HORIZONTAL DETAIL

B.O. REF :

ARCHITECT :  
**W T**  
**WONG TUNG & PARTNERS LIMITED**  
 ARCHITECTS & PLANNERS

STRUCTURAL ENGINEER :  
**SUN HUNG KAI**  
**ARCHITECTS AND ENGINEERS LTD.**  
 SUN HUNG KAI CENTRE, WANCHAI, HONGKONG  
 TEL. 28278111 FAX. 28272884

FAÇADE CONSULTANT:  
**ALPHA CONSULTING LIMITED**  
 Steel Structure & Façade Specialist

MAIN CONTRACTOR :  
**Sanfield Engineering**  
 Construction Ltd.

CLIENT :  
**SUN HUNG KAI**  
**REAL ESTATE AGENCY LTD.**  
 42/F SUN HUNG KAI CENTRE, WANCHAI, HONGKONG

NOTE :  
 1. ALL DIMENSIONS ARE IN mm.  
 2. ALL ELEVATIONS ARE VIEWED FROM OUTSIDE.  
 3. ALL DIMENSIONS TO BE VERIFIED ON SITE BEFORE FABRICATION.

LEGEND :  
 X1 --- DETAIL MARK NO.  
 X001 --- REFER SHEET NO.

1. F.F.L.--FINISHED FLOOR LEVEL
2. S.F.L.--STRUCTURAL FLOOR LEVEL
3. (R) --- REVERSED DETAIL

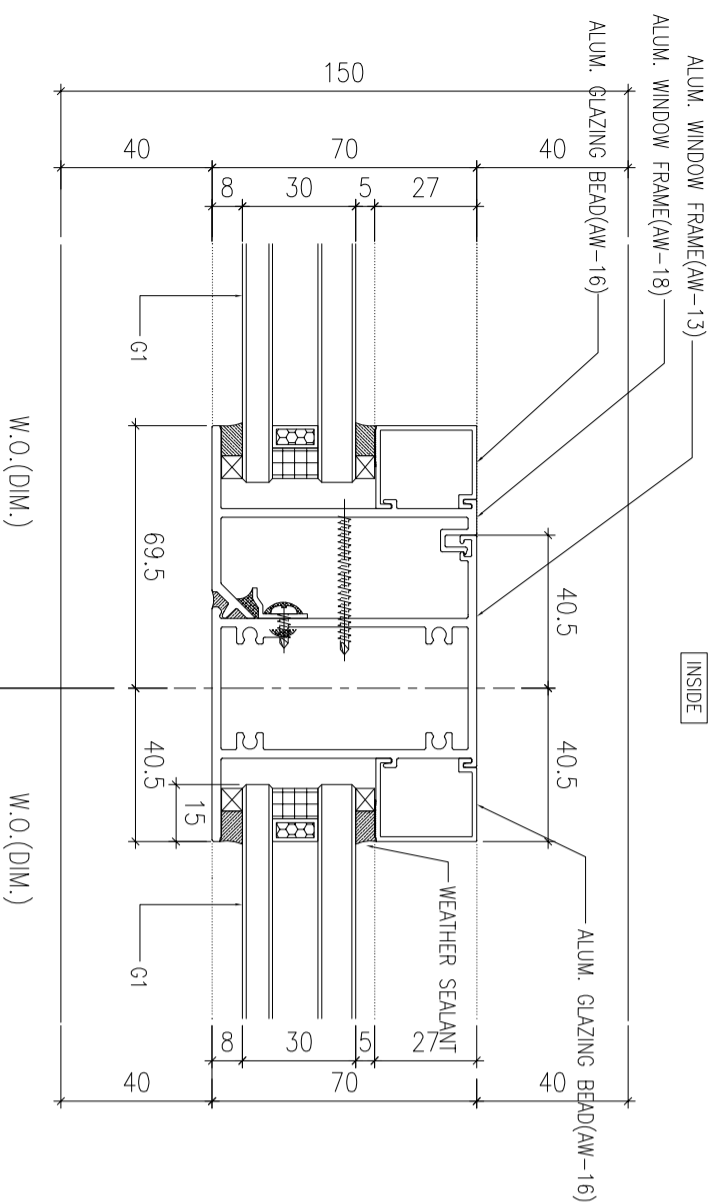
4. GLASS LEGEND
- G1--8mmHS+12mm AIR GAP+10mmTP THK. I.G.U.
- G2--8mmHS+12mm AIR GAP+8mmTP THK. I.G.U.
- G8-6mm CRYSTAL GREY TP+1.52PV8+6mm CLEAR TP

NO.	DATE	REVISION	BY

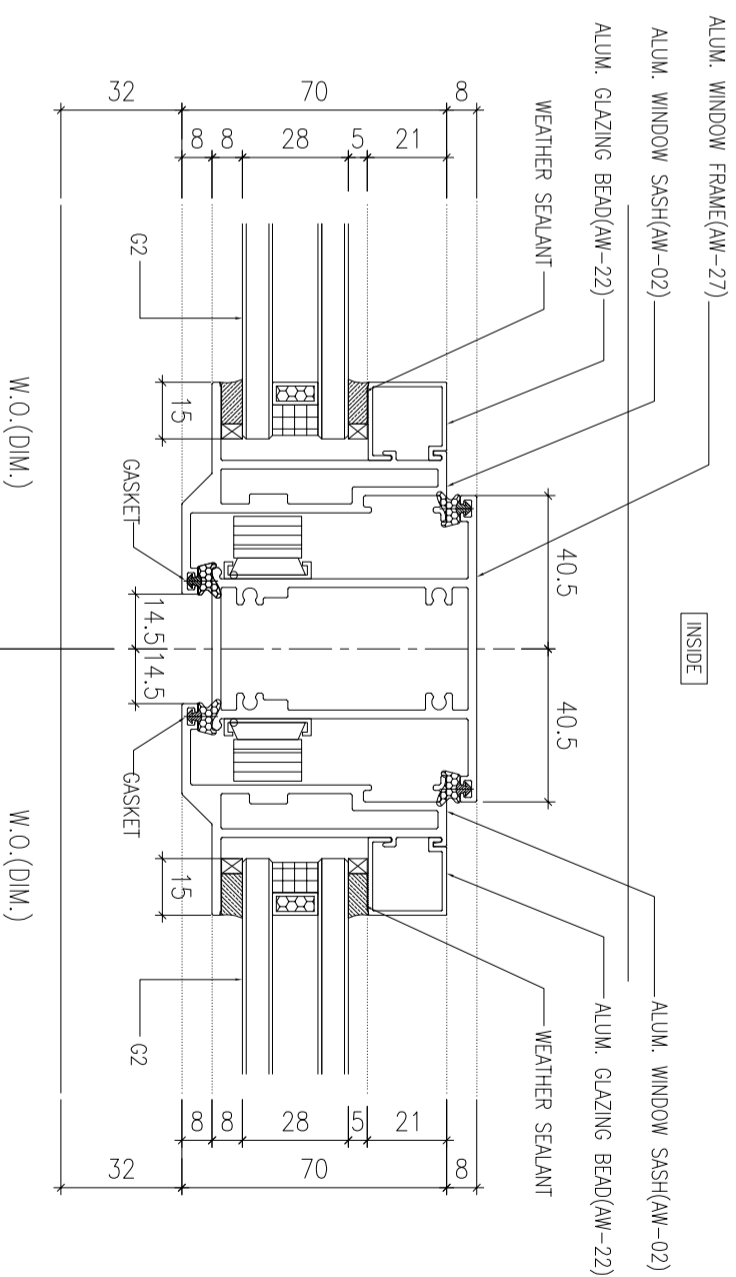
JOB NO. : J-859  
 PROJECT : PROPOSED RESIDENTIAL / COMMERCIAL DEVELOPMENT AT NKIL NO.6551 KAI TAK AREA 4C, SITE 3 KAI TAK, KOWLOON  
 TITLE : TYPICAL DETAILS FOR ALUM. WINDOW

DATE : 10-Nov-21 SCALE : 1:2 (A3)  
 DRAWN BY : LHR CHECKED BY :

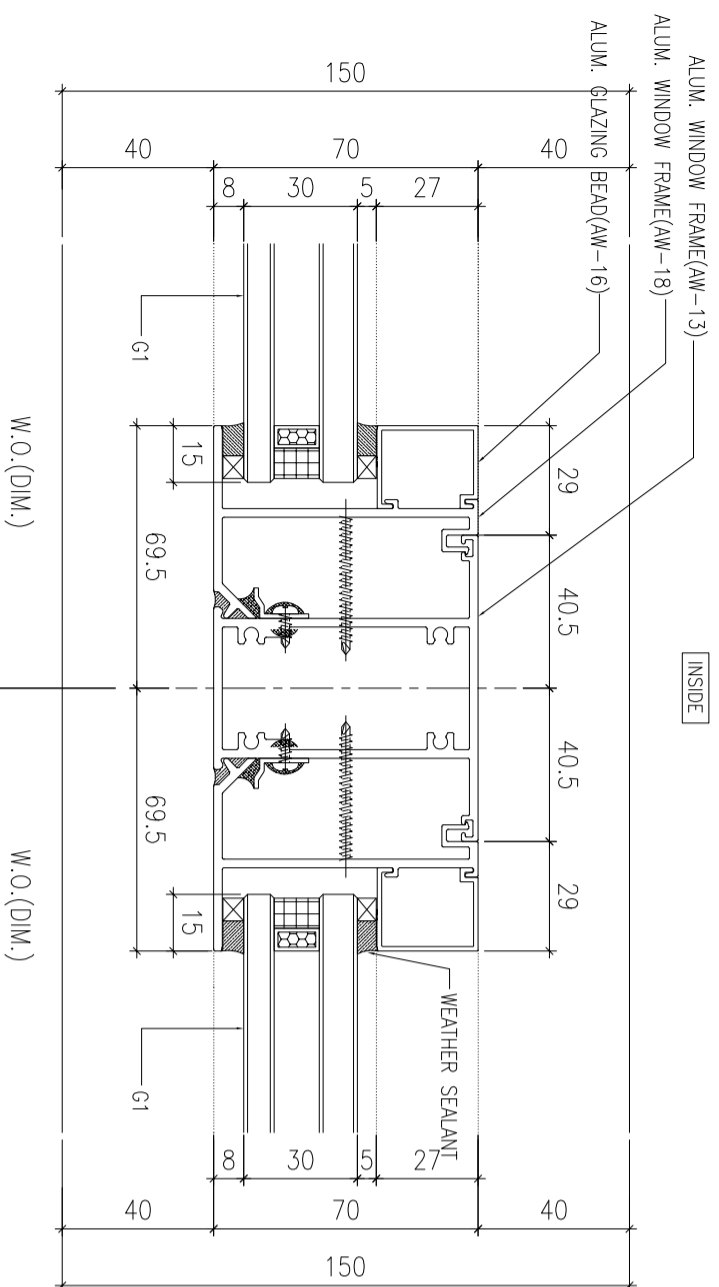
**美特鋁質有限公司**  
**MIDI ALUMINIUM FABRICATOR LTD.**  
 Units 6-8, Sunray Industrial Centre, 1/F  
 610 Cho Kwo Ling Road, Kowloon  
 Tel:23489211-4 Fax:8522727666  
 DWG NO. : J859-SD-PW-DT64 REV. : -



1 HORIZONTAL DETAIL



2 HORIZONTAL DETAIL



3 HORIZONTAL DETAIL

B.O. REF :

ARCHITECT :  
**W T**  
**WONG TUNG & PARTNERS LIMITED**  
 ARCHITECTS & PLANNERS

STRUCTURAL ENGINEER :  
**SUN HUNG KAI**  
**ARCHITECTS AND ENGINEERS LTD.**  
 SUN HUNG KAI CENTRE, WANCHAI, HONGKONG  
 TEL. 28278111 FAX. 28272884

FAÇADE CONSULTANT:  
**ALPHA CONSULTING LIMITED**  
 Steel Structure & Façade Specialist

MAIN CONTRACTOR :  
**Sanfield Engineering**  
 Construction Ltd.

CLIENT :  
**SUN HUNG KAI**  
**REAL ESTATE AGENCY LTD.**  
 42/F SUN HUNG KAI CENTRE, WANCHAI, HONGKONG

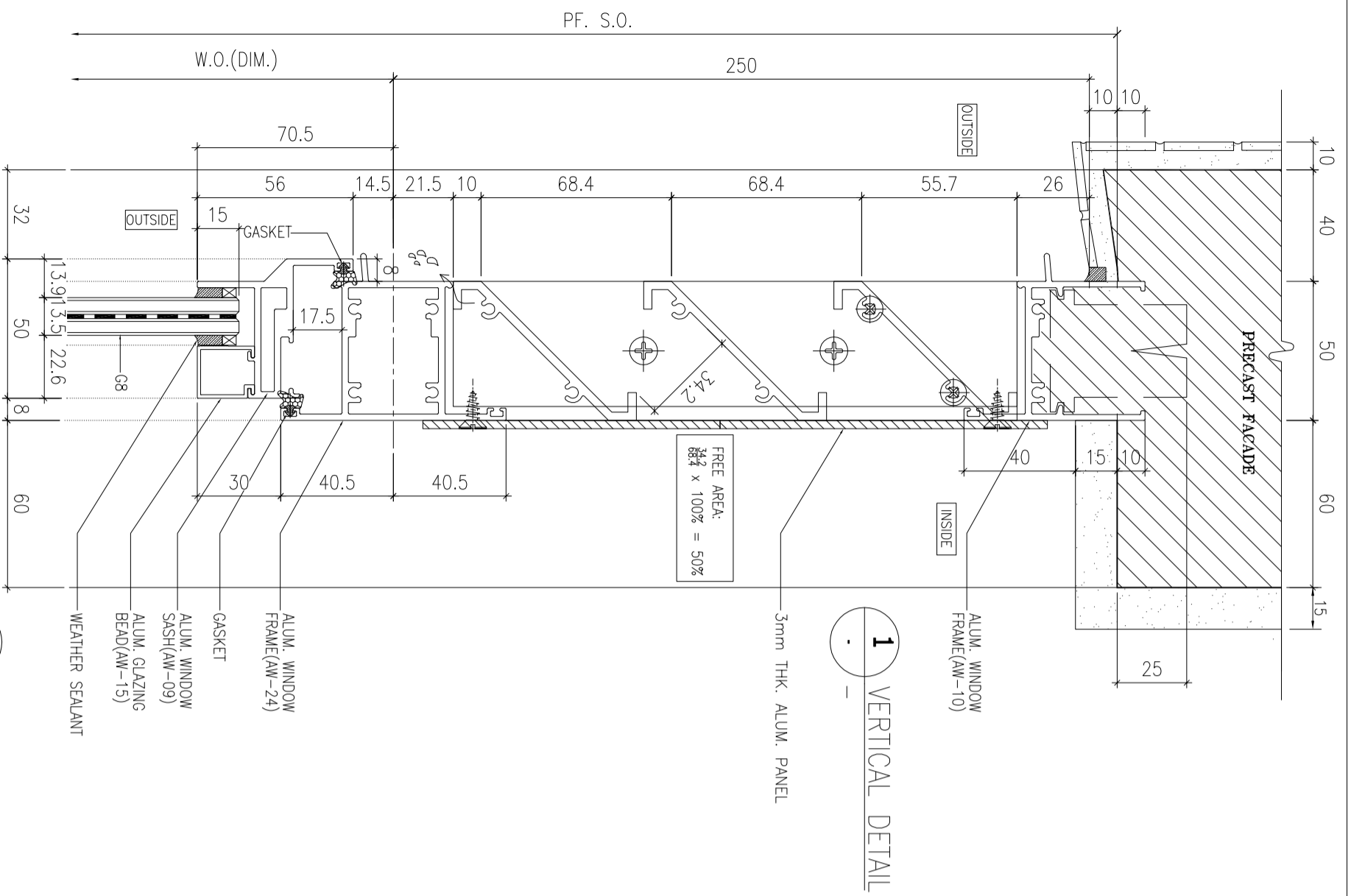
NOTE :  
 1. ALL DIMENSIONS ARE IN mm.  
 2. ALL ELEVATIONS ARE VIEWED FROM OUTSIDE.  
 3. ALL DIMENSIONS TO BE VERIFIED ON SITE BEFORE FABRICATION.

LEGEND :  
 X1 --- DETAIL MARK NO.  
 X001 --- REFER SHEET NO.

1. F.F.L.--FINISHED FLOOR LEVEL  
 2. S.F.L.--STRUCTURAL FLOOR LEVEL  
 3. (R) --REVERSED DETAIL  
 4. GLASS LEGEND  
 G1--8mmHS+12mm AIR GAP+10mmTP THK. I.G.U.  
 G2--8mmHS+12mm AIR GAP+8mmTP THK. I.G.U.  
 G3-6mm CRYSAL GREY TP+1.52PV8+6mm CLEAR TP

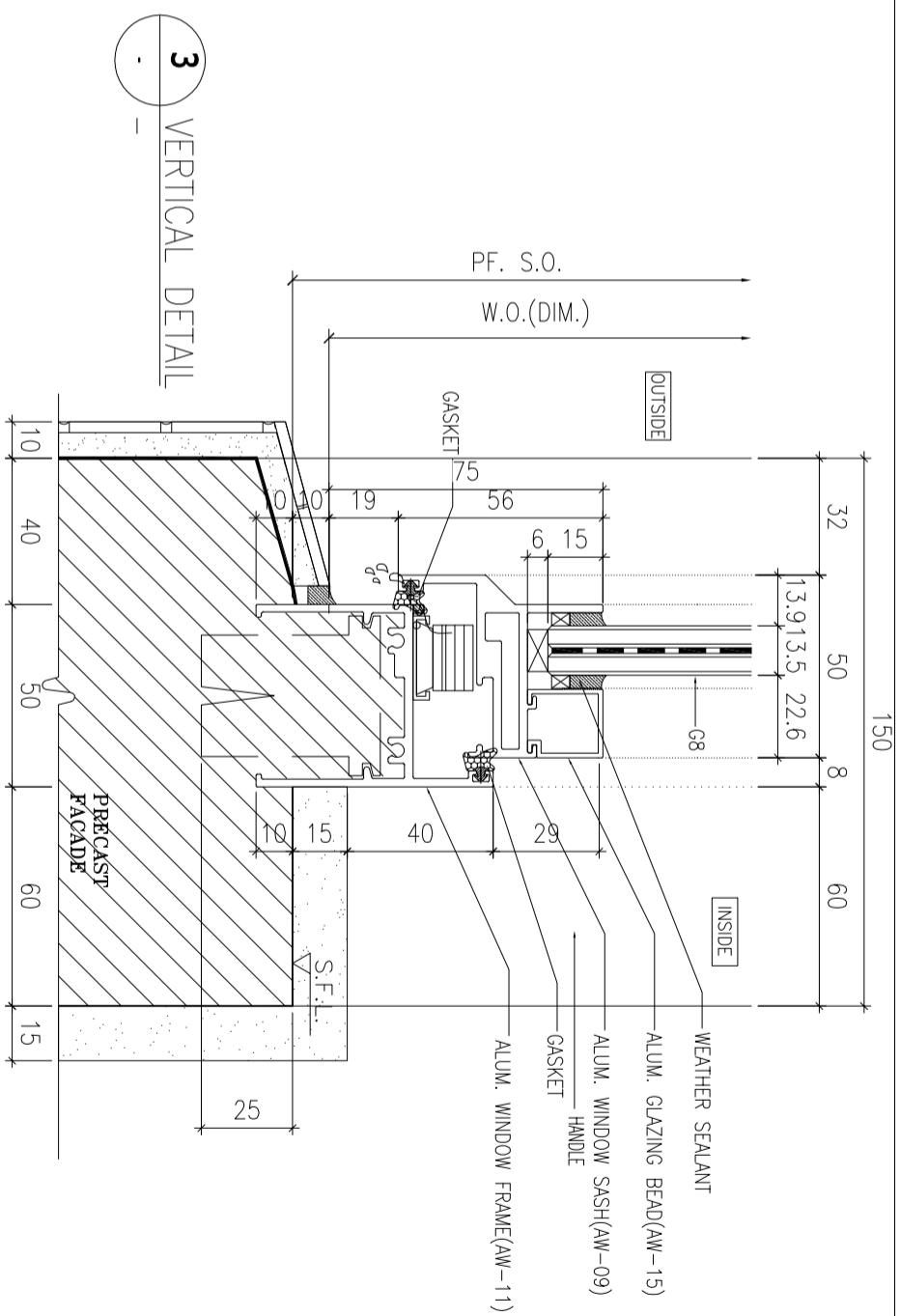
NO.	DATE	REVISION	BY
JOB NO. :	J-859		
PROJECT :	PROPOSED RESIDENTIAL / COMMERCIAL DEVELOPMENT AT NKIL NO.6551 KAI TAK AREA 4C, SITE 3 KAI TAK, KOWLOON		
TITLE :	TYPICAL DETAILS FOR ALUM. WINDOW		
DATE :	10-Nov-21	SCALE :	1:2 (A3)
DRAWN BY :	LHR	CHECKED BY :	

**美特鋁質有限公司**  
**MIDI ALUMINIUM FABRICATOR LTD.**  
 Units 6-8, Sunny Industrial Centre, 1/F  
 610 Che Kwo Ling Road, Kowloon  
 Tel:23489211-4 Fax:8522727666  
 DWG NO. : J859-SD-PW-DT65 REV. : -



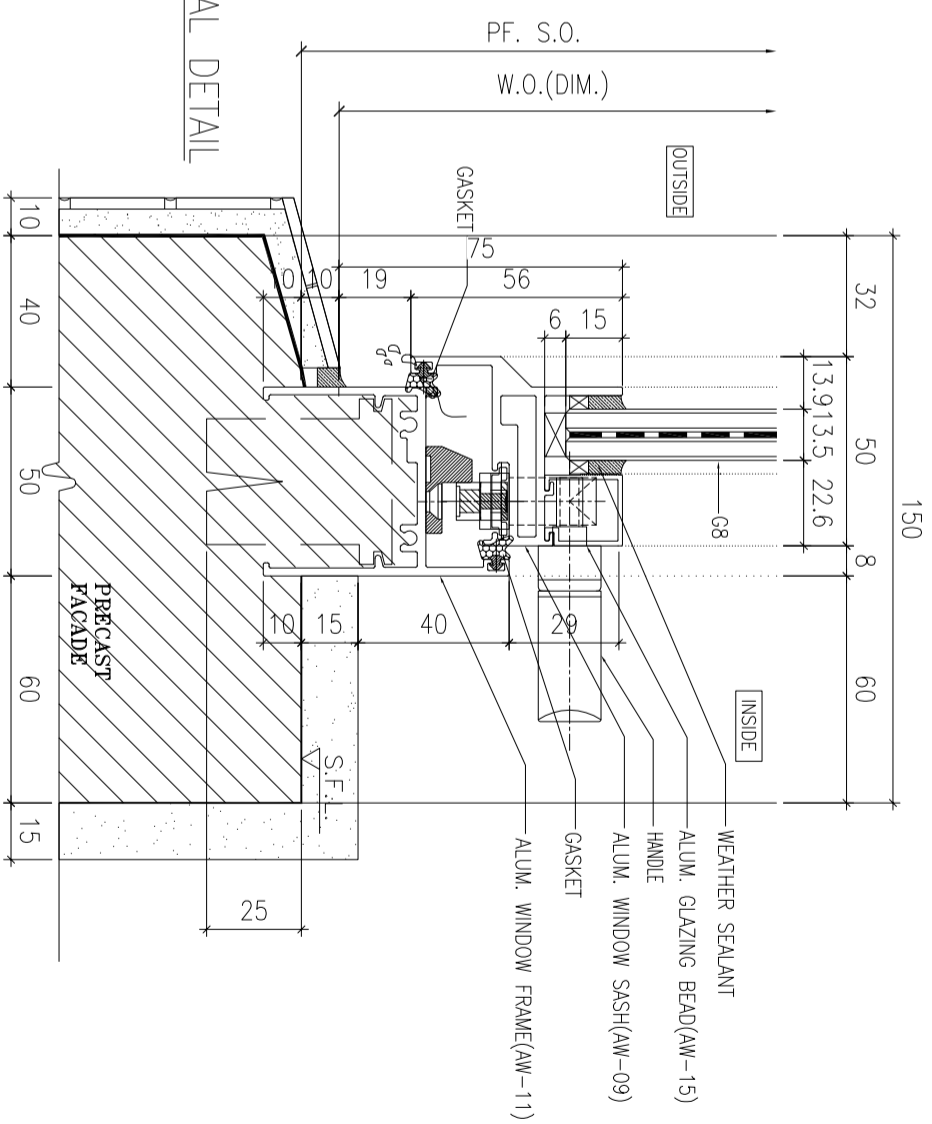
1 VERTICAL DETAIL

2 VERTICAL DETAIL



3 VERTICAL DETAIL

4 VERTICAL DETAIL



4 VERTICAL DETAIL

B.O. REF :

ARCHITECT :  
**W T**  
WONG TUNG & PARTNERS LIMITED  
ARCHITECTS & PLANNERS

STRUCTURAL ENGINEER :  
**SUN HUNG KAI**  
ARCHITECTS AND ENGINEERS LTD.  
SUN HUNG KAI CENTRE, WANCHAI, HONGKONG  
TEL. 28278111 FAX. 28272884

FAÇADE CONSULTANT:  
**ALPHA CONSULTING LIMITED**  
Steel Structure & Façade Specialist

MAIN CONTRACTOR :  
Sanfield Engineering  
Construction Ltd.

CLIENT :  
**SUN HUNG KAI**  
REAL ESTATE AGENCY LTD.  
42/F SUN HUNG KAI CENTRE, WANCHAI, HONGKONG

NOTE :  
1. ALL DIMENSIONS ARE IN mm.  
2. ALL ELEVATIONS ARE VIEWED FROM OUTSIDE.  
3. ALL DIMENSIONS TO BE VERIFIED ON SITE BEFORE FABRICATION.

LEGEND :  
X1 -- DETAIL MARK NO.  
X001 -- REFER SHEET NO.

1. F.F.L. -- FINISHED FLOOR LEVEL  
2. S.F.L. -- STRUCTURAL FLOOR LEVEL  
3. (R) -- REVERSED DETAIL

4. GLASS LEGEND  
G1 -- 6mmHS+12mm AIR GAP+10mmTP THK. I.G.U.  
G2 -- 6mmHS+12mm AIR GAP+8mmTP THK. I.G.U.  
G3 -- 6mm CRYSTAL GREY TP+1.52PVB+6mm CLEAR TP

NO.	DATE	REVISION	BY
J-859			

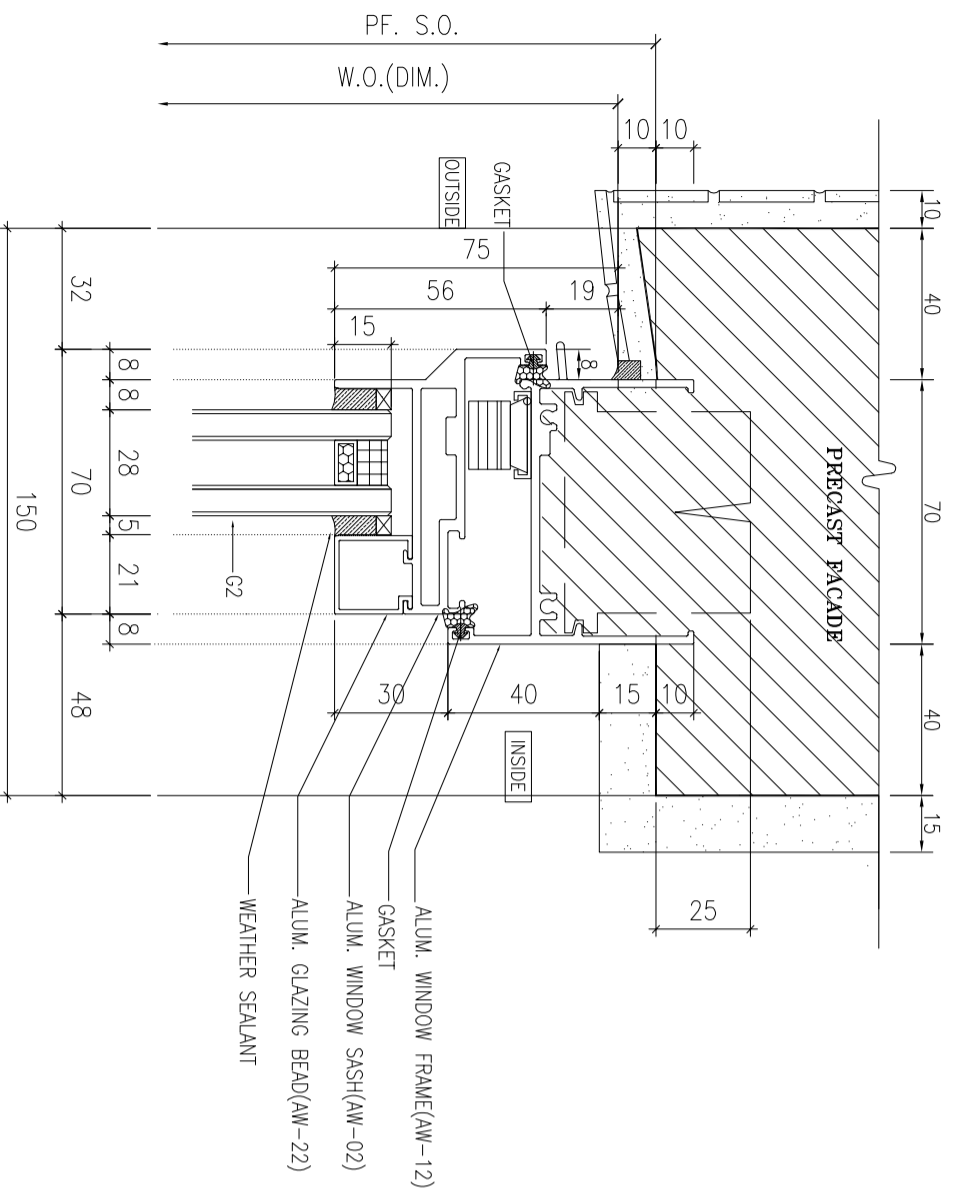
JOB NO. : J-859  
PROJECT : PROPOSED RESIDENTIAL / COMMERCIAL DEVELOPMENT AT NKIL NO.6551 KAI TAK AREA 4C, SITE 3 KAI TAK, KOWLOON

TITLE : TYPICAL DETAILS FOR ALUM. WINDOW

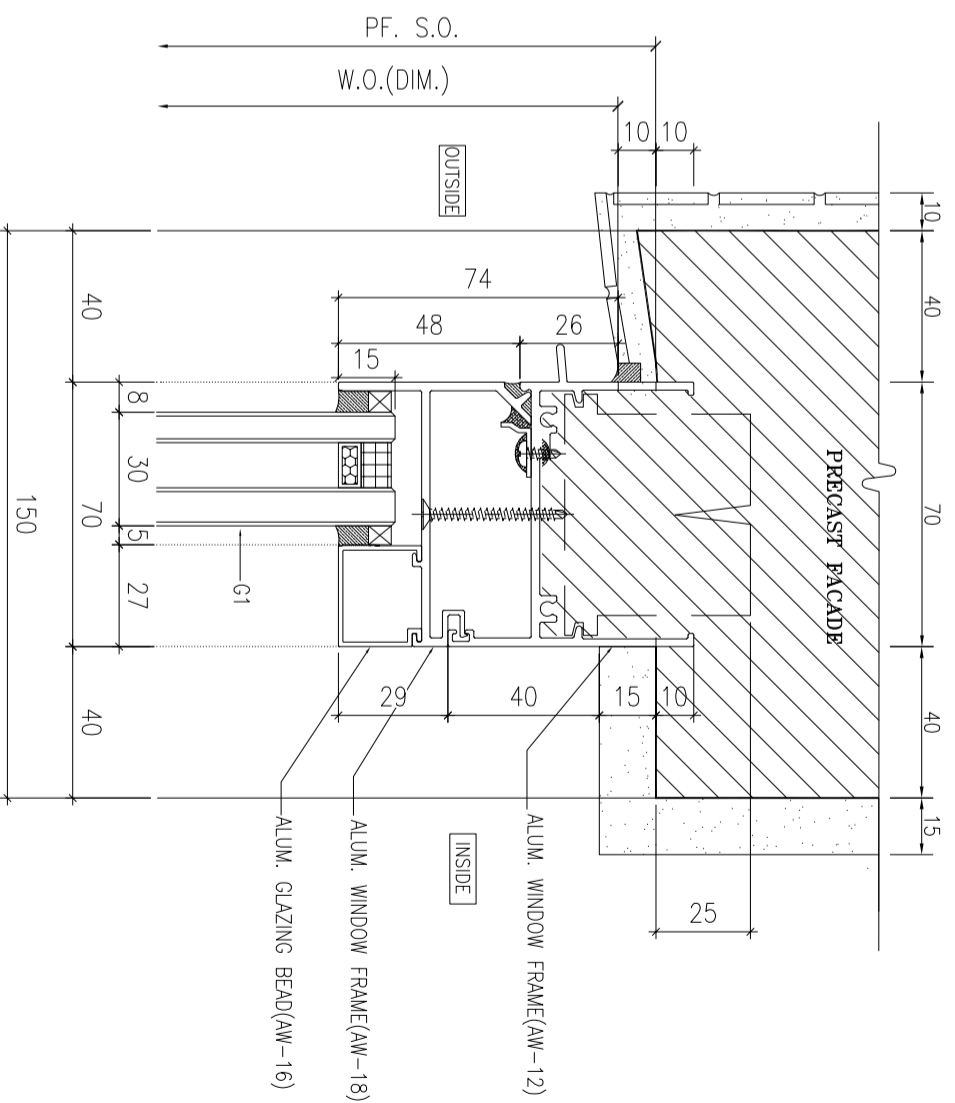
DATE : 10-Nov-21 SCALE : 1:2 (A3)

DRAWN BY : LHR CHECKED BY :

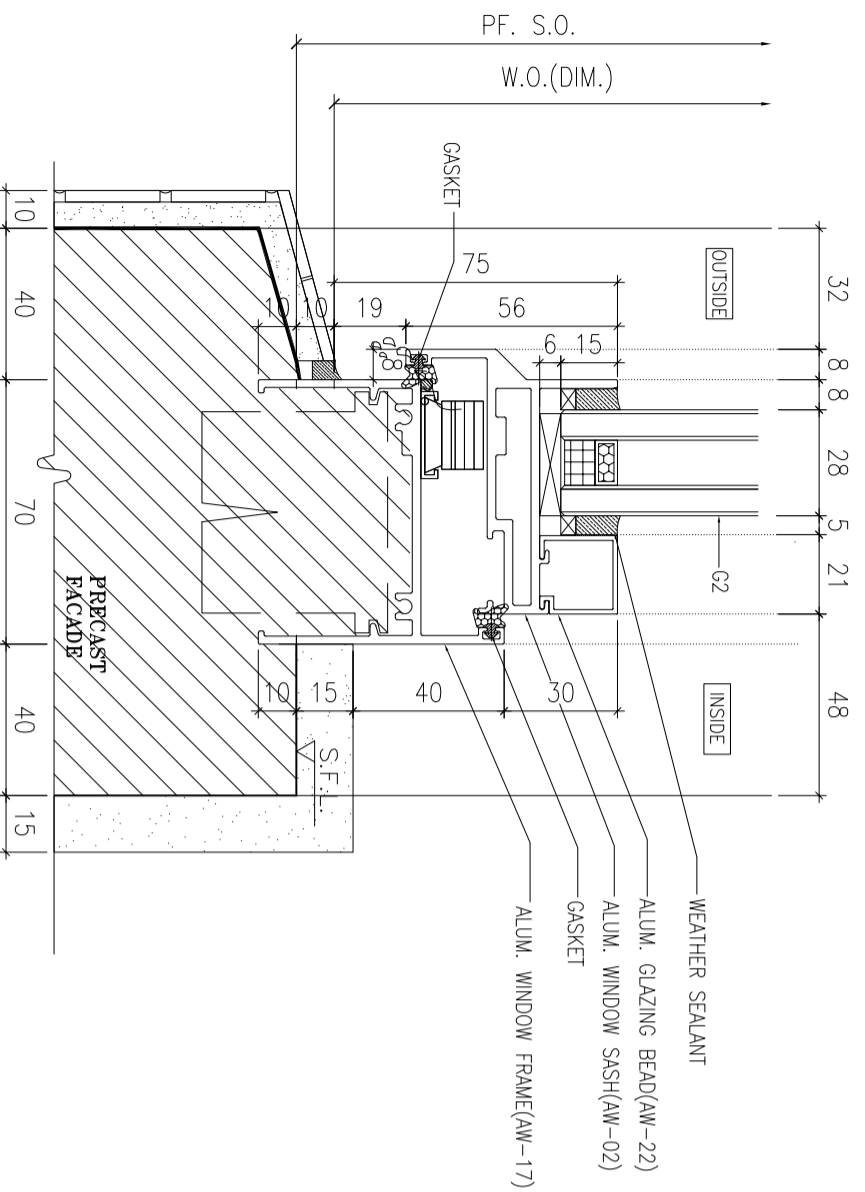
**MIDI** ALUMINIUM FABRICATOR LTD.  
Units 6-8, Sunny Industrial Centre, 1/F  
610 Cho Kwo Ling Road, Kowloon  
Tel:23489211-4 Fax:(852)27272666  
DWG NO. : J859-SD-PW-DT71 REV. : A



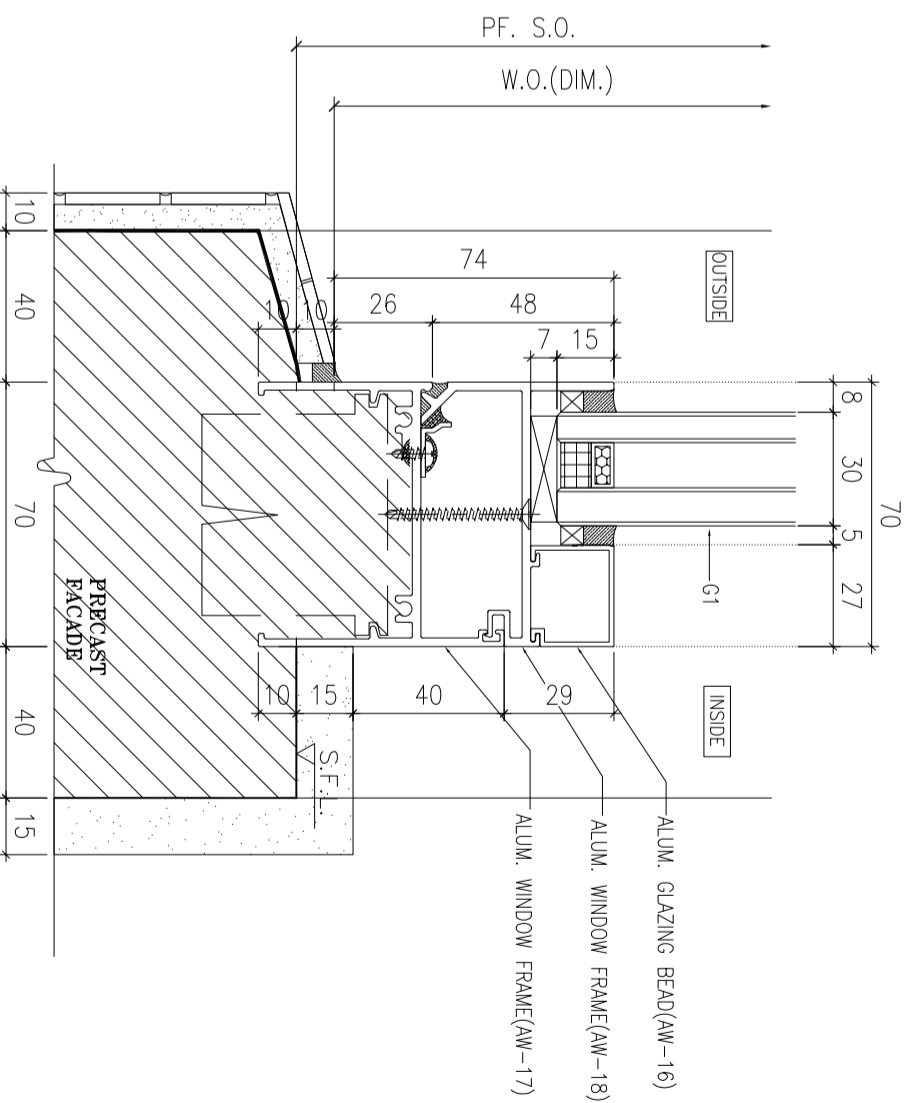
1 VERTICAL DETAIL



2 VERTICAL DETAIL



3 VERTICAL DETAIL



4 VERTICAL DETAIL

B.O. REF. :

ARCHITECT :  
**W T**  
WONG TUNG & PARTNERS LIMITED  
ARCHITECTS & PLANNERS

STRUCTURAL ENGINEER :  
**SK SUN HUNG KAI**  
ARCHITECTS AND ENGINEERS LTD.  
SUN HUNG KAI CENTRE, WANCHAI, HONGKONG  
TEL. 28278111  
FAX. 28272854

FAÇADE CONSULTANT :  
**ALPHA CONSULTING LIMITED**  
Steel Structure & Façade Specialist

MAIN CONTRACTOR :  
Sanfield Engineering  
Construction Ltd.

CLIENT :  
**SK SUN HUNG KAI**  
REAL ESTATE AGENCY LTD.  
42/F SUN HUNG KAI CENTRE, WANCHAI, HONGKONG

NOTE :  
1. ALL DIMENSIONS ARE IN mm.  
2. ALL ELEVATIONS ARE VIEWED FROM OUTSIDE.  
3. ALL DIMENSIONS TO BE VERIFIED ON SITE BEFORE FABRICATION.

LEGEND :  
X1 --- DETAIL MARK NO.  
X001 --- REFER SHEET NO.

1. F.F.L. -- FINISHED FLOOR LEVEL  
2. S.F.L. -- STRUCTURAL FLOOR LEVEL  
3. (R) -- REVERSED DETAIL

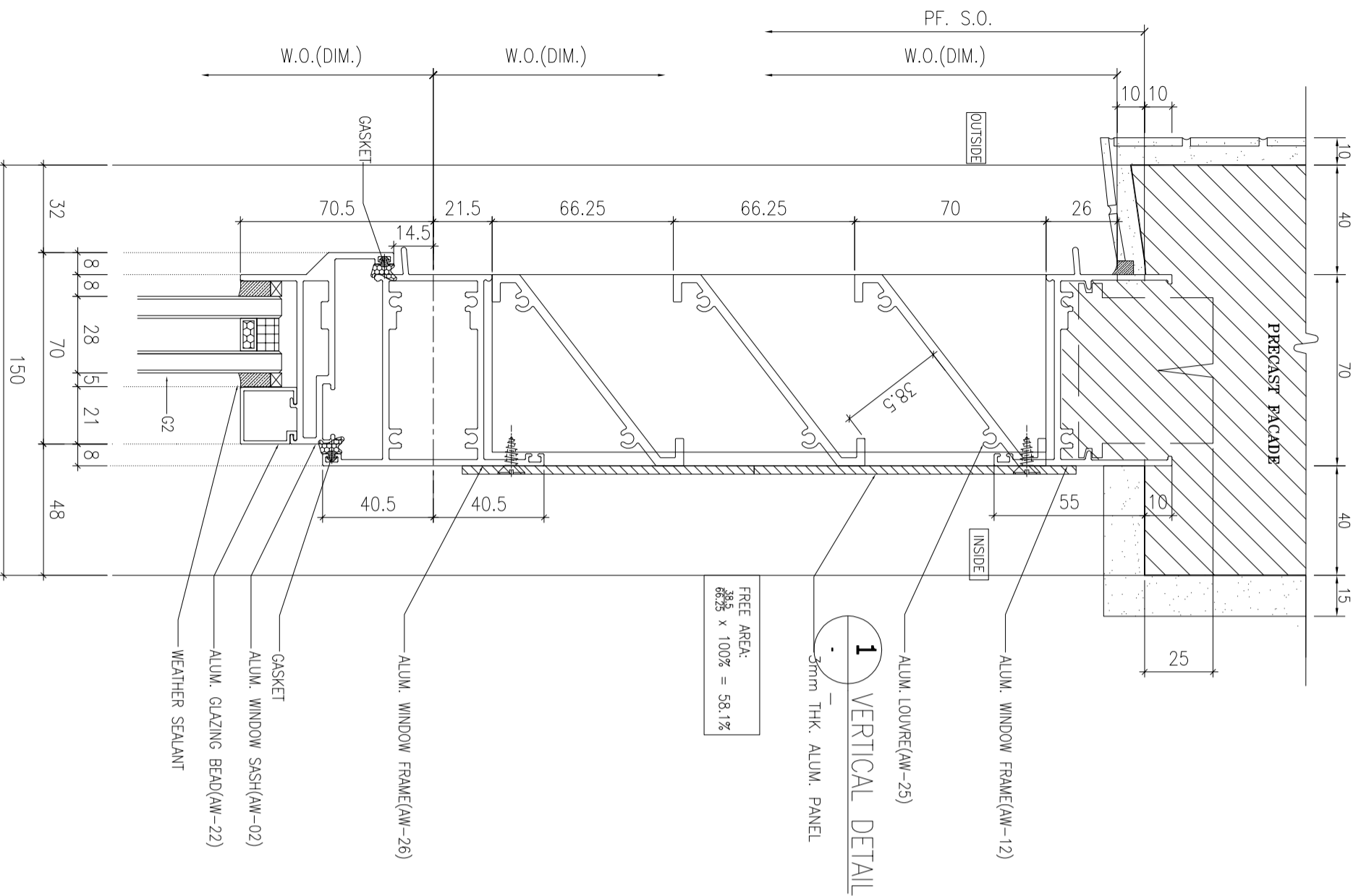
4. GLASS LEGEND  
G1 --- 6mmHS+12mm AIR GAP+10mmTP THK. LG.U.  
G2 --- 6mmHS+12mm AIR GAP+8mmTP THK. LG.U.  
G3 --- 6mm CRYSTAL GREY TP+1.52PVB+6mm CLEAR TP

NO.	DATE	REVISION	BY

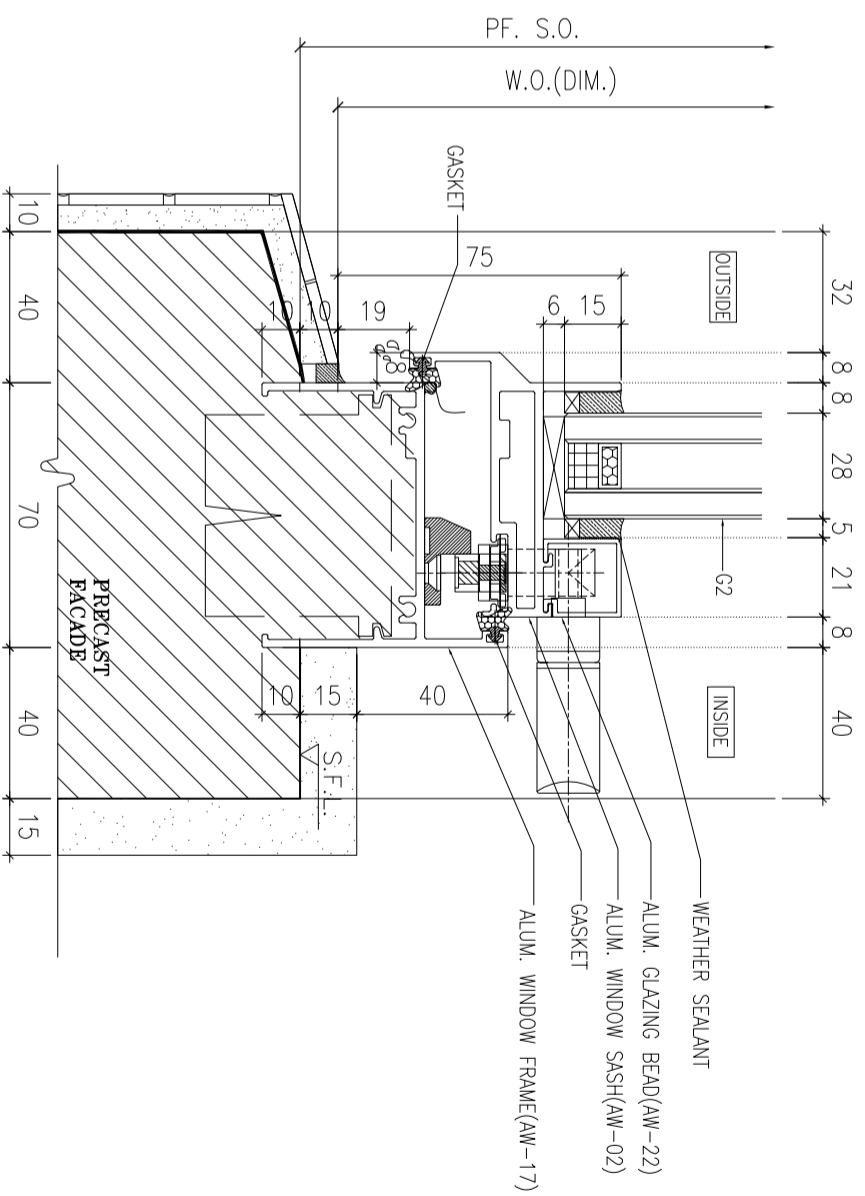
JOB NO. : J-859  
PROJECT : PROPOSED RESIDENTIAL / COMMERCIAL DEVELOPMENT AT NKIL NO.6551 KAI TAK AREA 4C, SITE 3 KAI TAK, KOWLOON  
TITLE : TYPICAL DETAILS FOR ALUM. WINDOW

DATE : 10-Nov-21 SCALE : 1:2 (A3)  
DRAWN BY : LHR CHECKED BY :

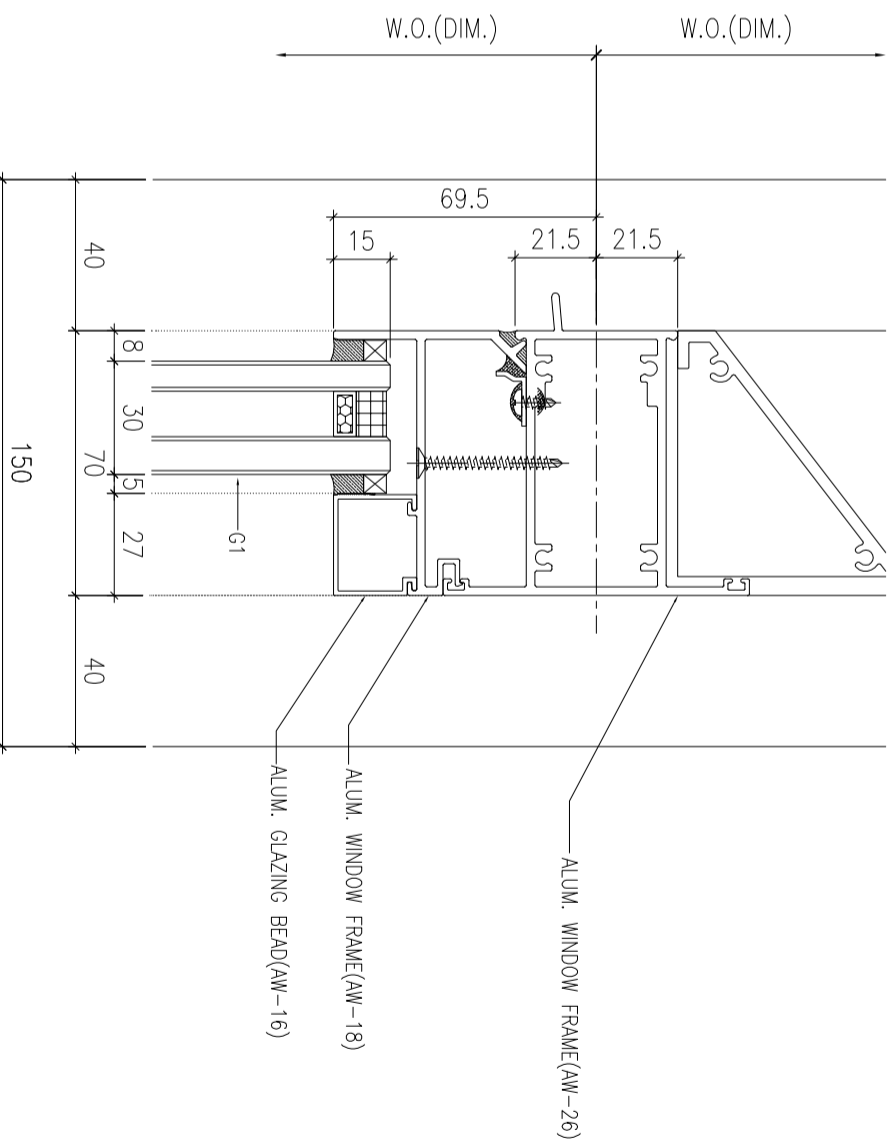
**美特鋁質有限公司**  
MIDI ALUMINIUM FABRICATOR LTD.  
Units 6-8, Sunny Industrial Centre, 1/F  
610 Cho Kwo Ling Road, Kowloon  
Tel:23489211-4 Fax:8522727666  
DWG NO. : J859-SD-PW-DT72 REV. : -



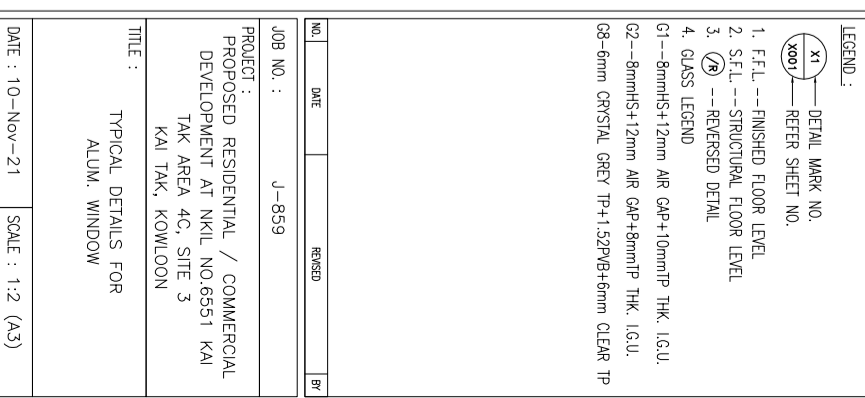
1 VERTICAL DETAIL



2 VERTICAL DETAIL



3 VERTICAL DETAIL



4 VERTICAL DETAIL

B.O. REF. :

ARCHITECT :  
**W T**  
**WONG TUNG & PARTNERS LIMITED**  
 ARCHITECTS & PLANNERS

STRUCTURAL ENGINEER :  
**SK SUN HUNG KAI**  
**ARCHITECTS AND ENGINEERS LTD.**  
 SUN HUNG KAI CENTRE, WANCHAI, HONGKONG  
 TEL. 28278111 FAX. 28272884  
 FACADE CONSULTANT:  
**ALPHA CONSULTING LIMITED**  
 Steel Structure & Facade Specialist

MAIN CONTRACTOR :  
**Sanfield Engineering**  
 Construction Ltd.  
 CLIENT :  
**SUN HUNG KAI**  
**REAL ESTATE AGENCY LTD.**  
 42/F SUN HUNG KAI CENTRE, WANCHAI, HONGKONG

NOTE :  
 1. ALL DIMENSIONS ARE IN mm.  
 2. ALL ELEVATIONS ARE VIEWED FROM OUTSIDE.  
 3. ALL DIMENSIONS TO BE VERIFIED ON SITE BEFORE FABRICATION.  
 LEGEND :  
 X1 DETAIL MARK NO.  
 X001 REFER SHEET NO.

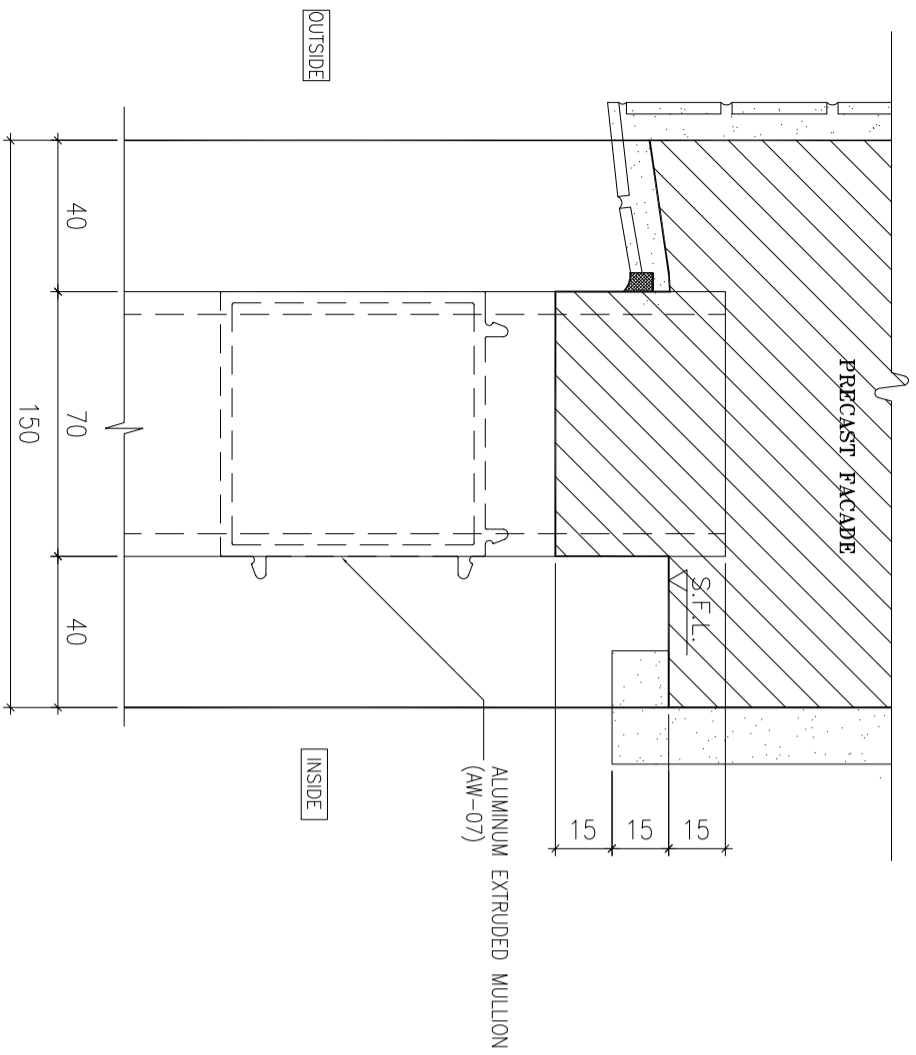
1. F.F.L.--FINISHED FLOOR LEVEL  
 2. S.F.L.--STRUCTURAL FLOOR LEVEL  
 3. (R) --REVERSED DETAIL  
 4. GLASS LEGEND  
 G1--6mmHS+12mm AIR GAP+10mmTP THK. I.G.U.  
 G2--6mmHS+12mm AIR GAP+8mmTP THK. I.G.U.  
 G3--6mm CRYS.TAL GREY TP+1.52PVB+6mm CLEAR TP

TITLE :  
 TYPICAL DETAILS FOR  
 ALUM. WINDOW

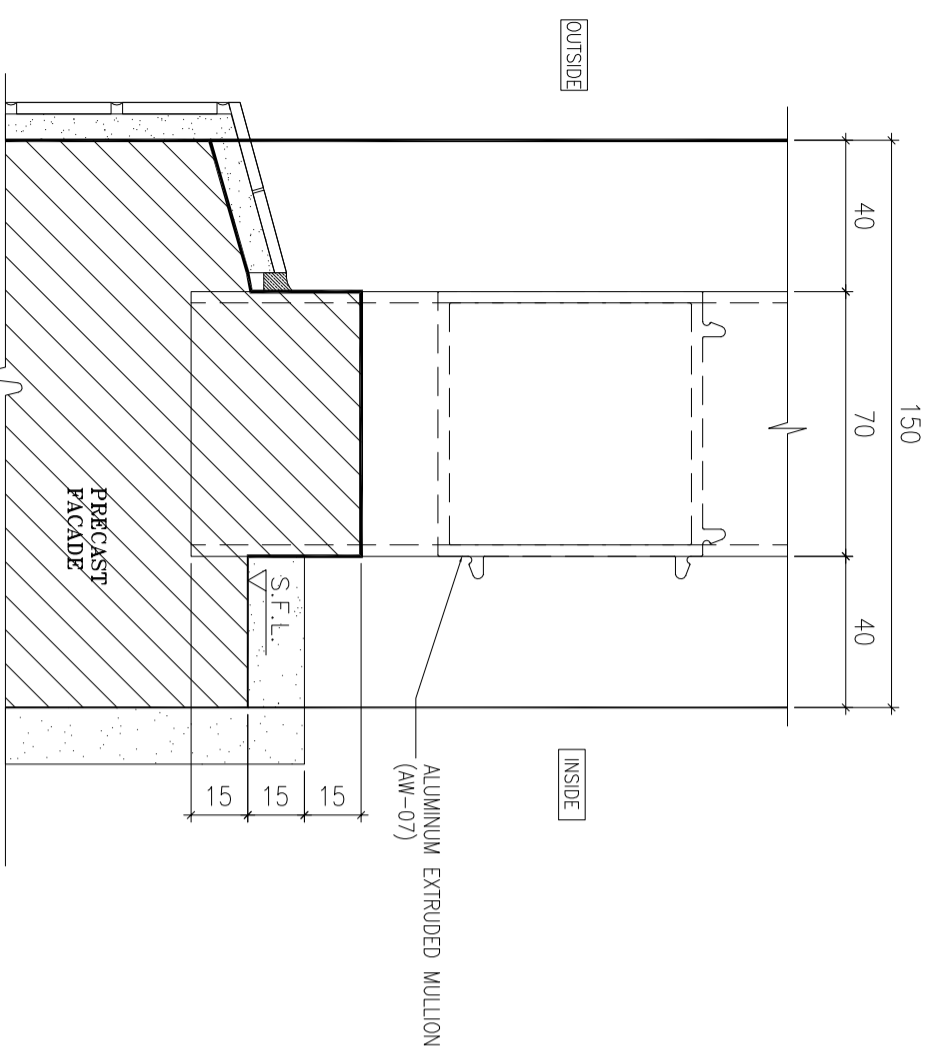
PROJECT :  
 PROPOSED RESIDENTIAL / COMMERCIAL  
 DEVELOPMENT AT NKIL NO.6551 KAI  
 TAK AREA 4C, SITE 3  
 KAI TAK, KOWLOON

DATE : 10-Nov-21 SCALE : 1:2 (A3)  
 DRAWN BY : LHR CHECKED BY :  
**美特鋁質有限公司**  
**MIDI ALUMINIUM FABRICATOR LTD.**  
 Units 6-8, Sunny Industrial Centre, 1/F  
 610 Cho Kwo Ling Road, Kowloon  
 Tel:23489211-4 Fax:(852)2727666  
 DWG NO. : J859-SD-PW-DT73 REV. : -

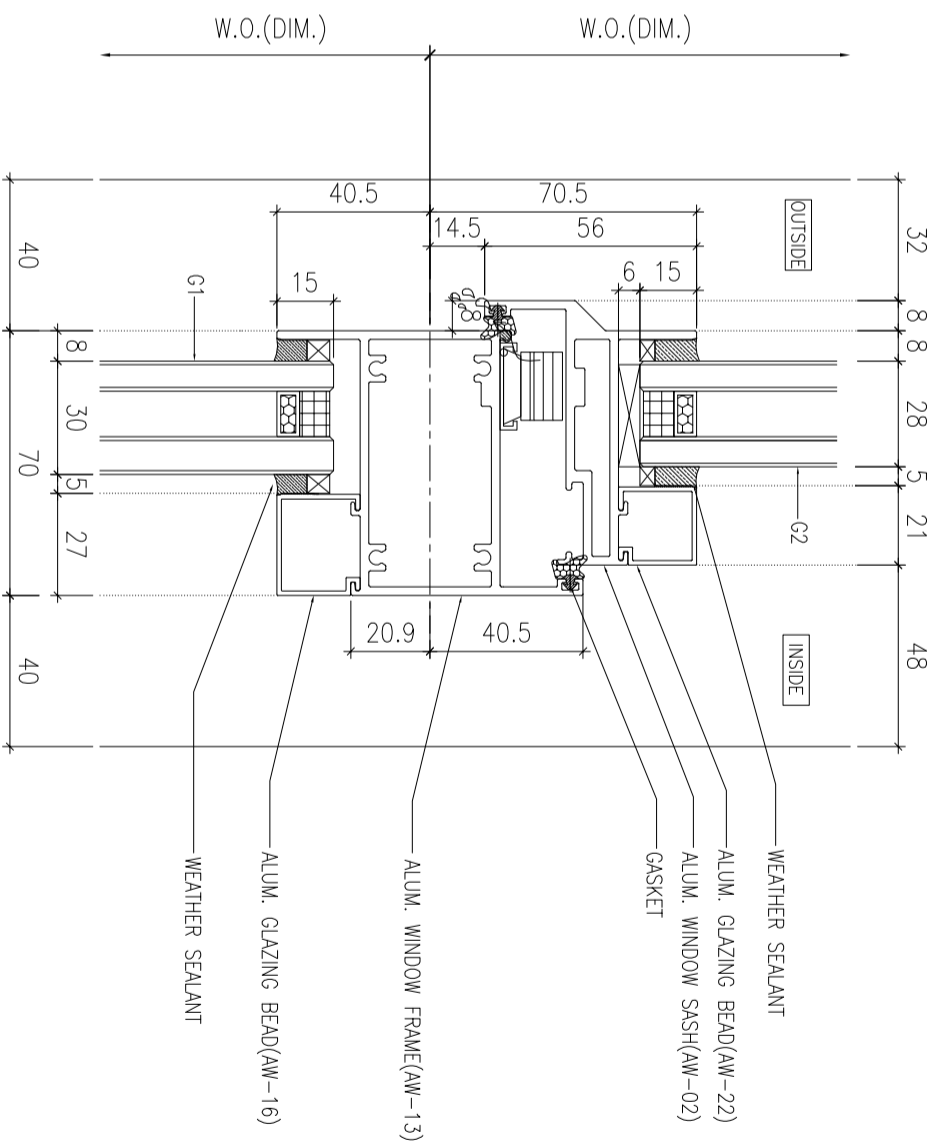
2 VERTICAL DETAIL



1 VERTICAL DETAIL



2 VERTICAL DETAIL



3 VERTICAL DETAIL

B.D. REF. :

ARCHITECT :



WONG TUNG & PARTNERS LIMITED  
ARCHITECTS & PLANNERS

STRUCTURAL ENGINEER :



SUN HUNG KAI ARCHITECTS AND ENGINEERS LTD.

SUN HUNG KAI CENTRE, WANCHAI, HONGKONG  
TEL. 28278111 FAX. 28272884

FAÇADE CONSULTANT :



ALPHA CONSULTING LIMITED  
Steel Structure & Façade Specialist

MAIN CONTRACTOR :

Sanfield Engineering  
Construction Ltd.

CLIENT :



SUN HUNG KAI  
REAL ESTATE AGENCY LTD.

42/F, SUN HUNG KAI CENTRE, WANCHAI, HONGKONG

NOTE :

1. ALL DIMENSIONS ARE IN mm.
2. ALL ELEVATIONS ARE VIEWED FROM OUTSIDE.
3. ALL DIMENSIONS TO BE VERIFIED ON SITE BEFORE FABRICATION.

LEGEND :

- (X1) --- DETAIL MARK NO.  
(X001) --- REFER SHEET NO.

1. F.F.L. --- FINISHED FLOOR LEVEL
2. S.F.L. --- STRUCTURAL FLOOR LEVEL
3. (R) --- REVERSED DETAIL
4. GLASS LEGEND

- G1 --- 6mmHS+12mm AIR GAP+10mmTP THK. I.G.U.  
G2 --- 6mmHS+12mm AIR GAP+8mmTP THK. I.G.U.  
G3 --- 6mm CRISTAL GREY TP+1.52PV8+6mm CLEAR TP

NO.	DATE	REVISION	BY

JOB NO. : J-859

PROJECT :  
PROPOSED RESIDENTIAL / COMMERCIAL  
DEVELOPMENT AT NKIL NO.6551 KAI  
TAK AREA 4C, SITE 3  
KAI TAK, KOWLOON

TITLE :  
TYPICAL DETAILS FOR  
ALUM. WINDOW

DATE : 10-Nov-21 SCALE : 1:2 (A3)

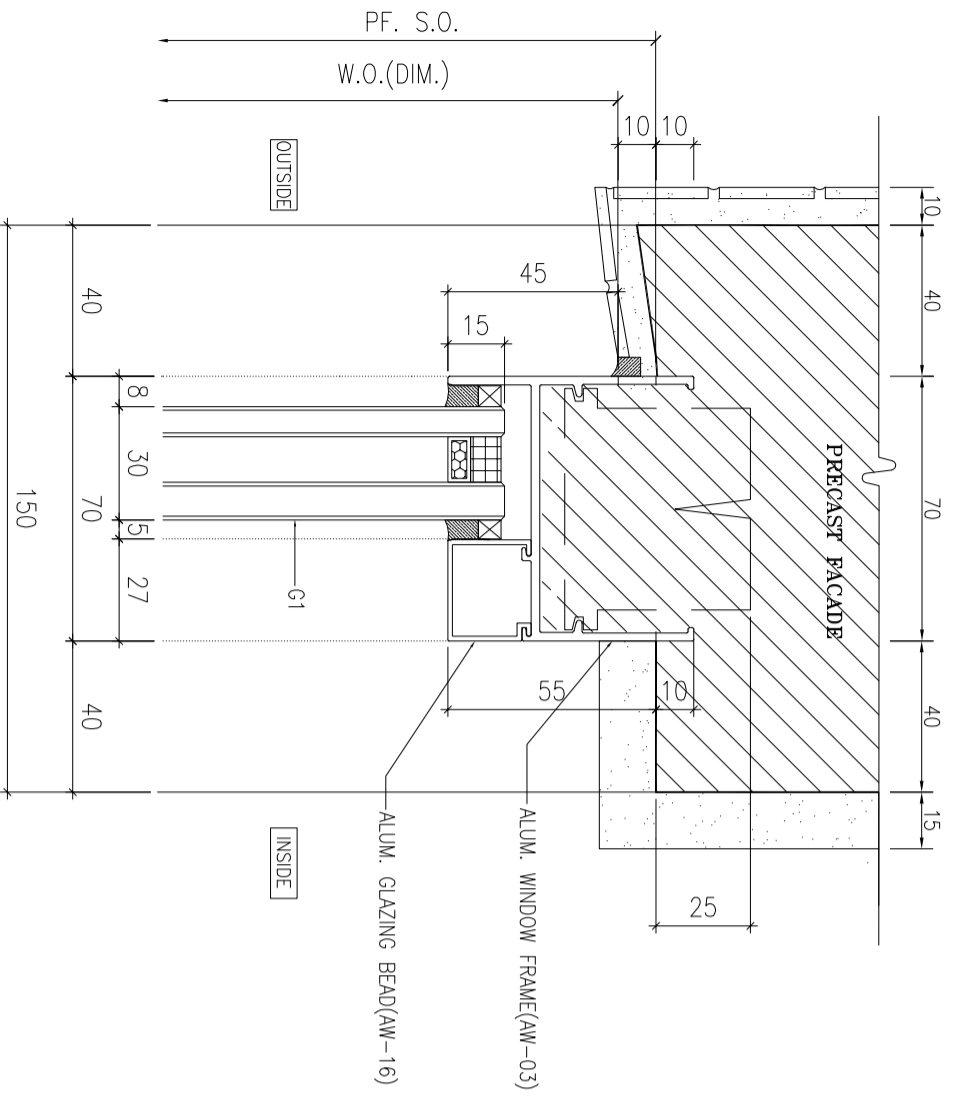
DRAWN BY : LHR CHECKED BY :



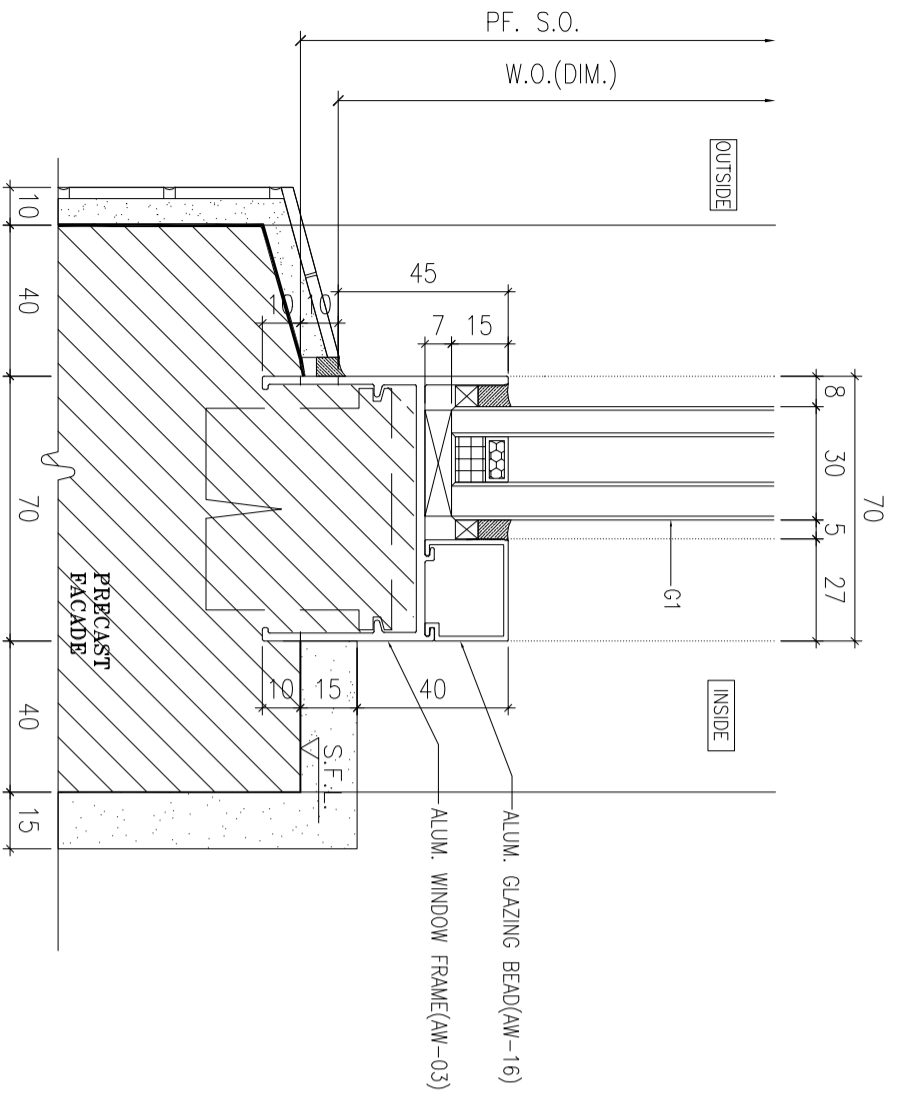
MIMI ALUMINIUM FABRICATOR LTD.  
Units 6-8, Sunny Industrial Centre, 7/F  
610 Choi Kwo Ling Road, Kowloon  
Tel:23469211-4 Fax:18521272666

DWG. NO. : JB59-SD-PW-DT74

REV. : -



1 VERTICAL DETAIL



2 VERTICAL DETAIL

B.O. REF :

ARCHITECT :  
**W T**  
**WONG TUNG & PARTNERS LIMITED**  
 ARCHITECTS & PLANNERS

STRUCTURAL ENGINEER :  
**SUN HUNG KAI**  
**ARCHITECTS AND ENGINEERS LTD.**  
 SUN HUNG KAI CENTRE, WANCHAI, HONGKONG  
 TEL. 28278111 FAX. 28272884

FAÇADE CONSULTANT:  
**ALPHA CONSULTING LIMITED**  
 Steel Structure & Façade Specialist

MAIN CONTRACTOR :  
**Sanfield Engineering**  
 Construction Ltd.

CLIENT :  
**SUN HUNG KAI**  
**REAL ESTATE AGENCY LTD.**  
 42/F SUN HUNG KAI CENTRE, WANCHAI, HONGKONG

NOTE :  
 1. ALL DIMENSIONS ARE IN mm.  
 2. ALL ELEVATIONS ARE VIEWED FROM OUTSIDE.  
 3. ALL DIMENSIONS TO BE VERIFIED ON SITE BEFORE FABRICATION.

LEGEND :  
 X1 --- DETAIL MARK NO.  
 X001 --- REFER SHEET NO.

1. F.F.L.--FINISHED FLOOR LEVEL
  2. S.F.L.--STRUCTURAL FLOOR LEVEL
  3. (R) --REVERSED DETAIL
  4. GLASS LEGEND
- G1--6mmHS+12mm AIR GAP+10mmTP THK. I.G.U.  
 G2--6mmHS+12mm AIR GAP+8mmTP THK. I.G.U.  
 G8-6mm CRYSAL GREY TP+1.52PV8+6mm CLEAR TP

NO.	DATE	REVISION	BY

JOB NO. : J-859  
 PROJECT : PROPOSED RESIDENTIAL / COMMERCIAL DEVELOPMENT AT NKIL NO.6551 KAI TAK AREA 4C, SITE 3 KAI TAK, KOWLOON

TITLE : TYPICAL DETAILS FOR ALUM. WINDOW

DATE : 10-Nov-21 SCALE : 1:2 (A3)  
 DRAWN BY : LHR CHECKED BY :

**美特鋁質有限公司**  
**MIDI ALUMINIUM FABRICATOR LTD.**  
 Units 6-8, Sunny Industrial Centre, 1/F  
 610 Cho Kwo Ling Road, Kowloon  
 Tel:23489211-4 Fax:8522727666  
 DWG NO. : J859-SD-PW-DT75 REV. : -

ARCHITECT :

**WONG TUNG & PARTNERS LIMITED**  
ARCHITECTS & PLANNERS

STRUCTURAL ENGINEER :

**SUN HUNG KAI**  
ARCHITECTS AND ENGINEERS LTD.

SUN HUNG KAI CENTRE, WANCHAI, HONGKONG  
TEL: 28278111 FAX: 28272894

FAÇADE CONSULTANT:

**ALPHA CONSULTING LIMITED**  
Steel Structure & Façade Specialist

MAIN CONTRACTOR :

**Sanfield Engineering**  
Construction Ltd.

CLIENT :

**SUN HUNG KAI**  
REAL ESTATE AGENCY LTD.  
42/F SUN HUNG KAI CENTRE, WANCHAI, HONGKONG

NOTE :

1. ALL DIMENSIONS ARE IN mm.
2. ALL ELEVATIONS ARE VIEWED FROM OUTSIDE.
3. ALL DIMENSIONS TO BE VERIFIED ON SITE BEFORE FABRICATION.

LEGEND :

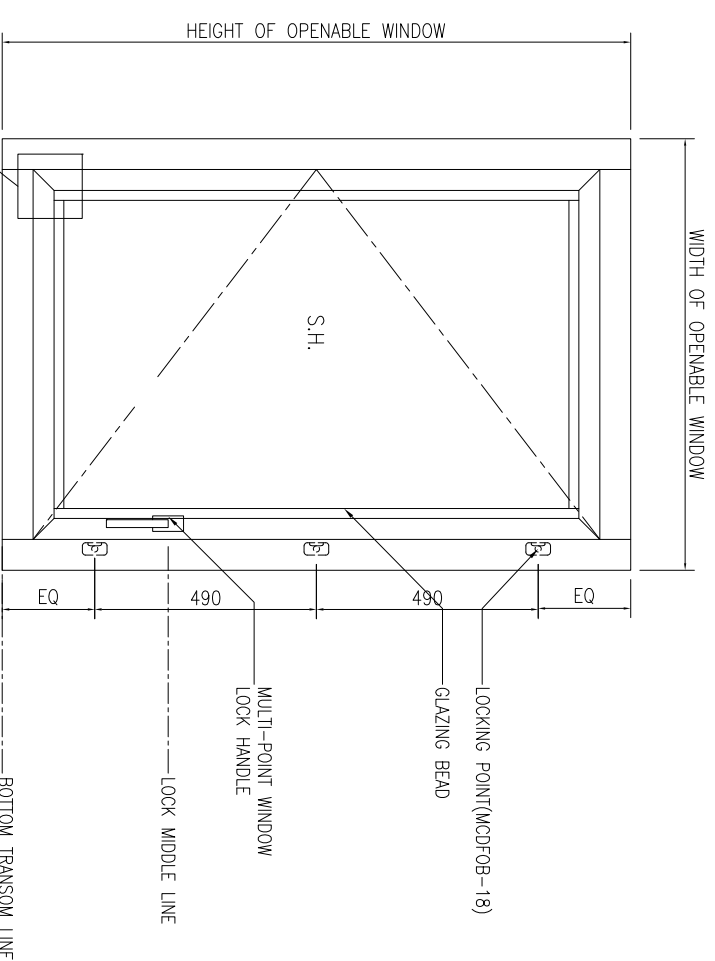
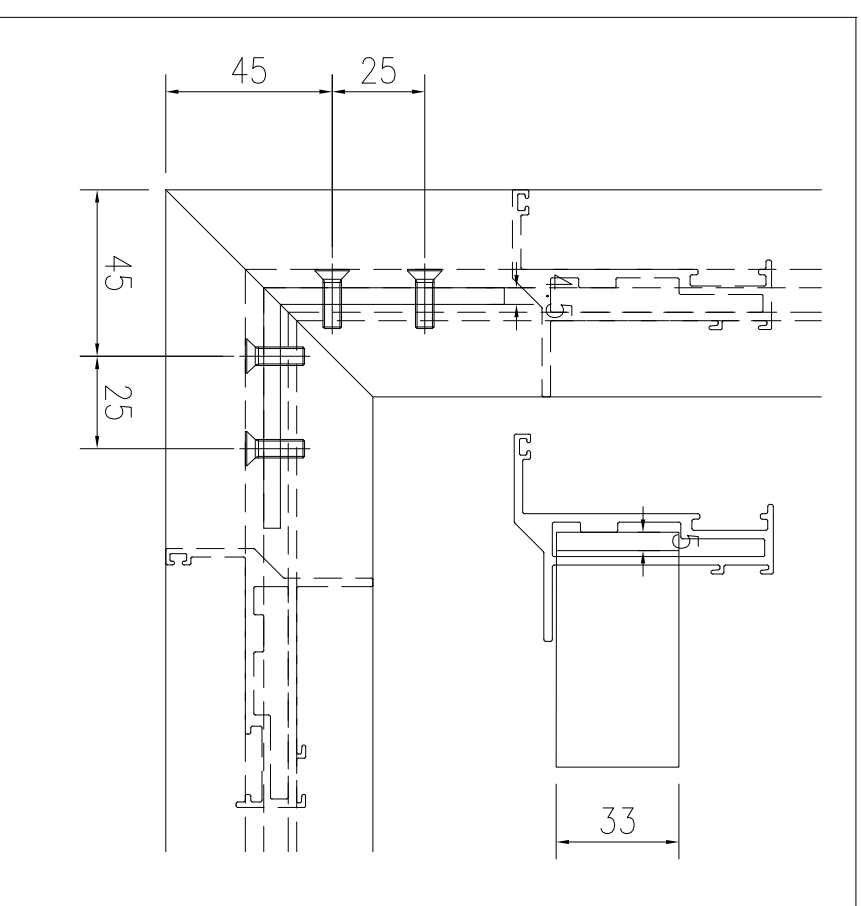
X1 --- DETAIL MARK NO.  
X001 --- REFER SHEET NO.

1. F.F.L. -- FINISHED FLOOR LEVEL
2. S.F.L. -- STRUCTURAL FLOOR LEVEL
3. (R) -- REVERSED DETAIL

4. GLASS LEGEND

- G1 -- 6mmHS+12mm AIR GAP+10mmTP THK. LG.U.  
G2 -- 6mmHS+12mm AIR GAP+6mmTP THK. LG.U.  
G8 -- 6mm CRYSTAL GREY TP+1.52PB+6mm CLEAR TP

# 70 ALUM. WINDOW



01 TYPICAL SECTION

S.F.L.

NO.	DATE	REVISION	BY

JOB NO. : J-859

PROJECT : PROPOSED RESIDENTIAL / COMMERCIAL DEVELOPMENT AT NKIL NO.6551 KAI TAK AREA 4C, SITE 3 KAI TAK, KOWLOON

TITLE : ALUM. WINDOW SECTION  
TYPICAL LOCK & HINGES DETAIL

DATE : 10-Nov-21 SCALE : 1:2 (A3)

DRAWN BY : LHR CHECKED BY :

**美特铝业有限公司**  
MIDI ALUMINIUM FABRICATOR LTD.  
Units 6-8, Sunray Industrial Centre, 1/F  
610 Cho Kwong Road, Kowloon  
Tel: 23489211-4 Fax: (852) 27277866

DWG NO. : J859-SD-PW-DT81 REV. : -

ARCHITECT :



STRUCTURAL ENGINEER :



SUN HUNG KAI CENTRE, WANCHAI, HONGKONG  
TEL: 28278111 FAX: 28272894

FAÇADE CONSULTANT:



MAIN CONTRACTOR :

Sanfield Engineering  
Construction Ltd.

CLIENT :



42/F, SUN HUNG KAI CENTRE, WANCHAI, HONGKONG

NOTE :

1. ALL DIMENSIONS ARE IN mm.
2. ALL ELEVATIONS ARE VIEWED FROM OUTSIDE.
3. ALL DIMENSIONS TO BE VERIFIED ON SITE BEFORE FABRICATION.

LEGEND :

⊗1 --- DETAIL MARK NO.  
X001 --- REFER SHEET NO.

1. F.F.L. --- FINISHED FLOOR LEVEL
2. S.F.L. --- STRUCTURAL FLOOR LEVEL
3. Ⓞ --- REVERSED DETAIL
4. GLASS LEGEND

G1---8mmHS+12mm AIR GAP+10mmTP THK. LG.U.  
G2---8mmHS+12mm AIR GAP+8mmTP THK. LG.U.  
G8---6mm CRYSTAL GREY TP+1.52PB+6mm CLEAR TP

NO.	DATE	REVISION	BY

JOB NO. : J-859

PROJECT :  
PROPOSED RESIDENTIAL / COMMERCIAL  
DEVELOPMENT AT NKIL NO.6551 KAI  
TAK AREA 4C, SITE 3  
KAI TAK, KOWLOON

TITLE :  
ALUM. WINDOW SECTION  
TYPICAL LOCK & HINGES DETAIL

DATE : 10-Nov-21 SCALE : 1:2 (A3)

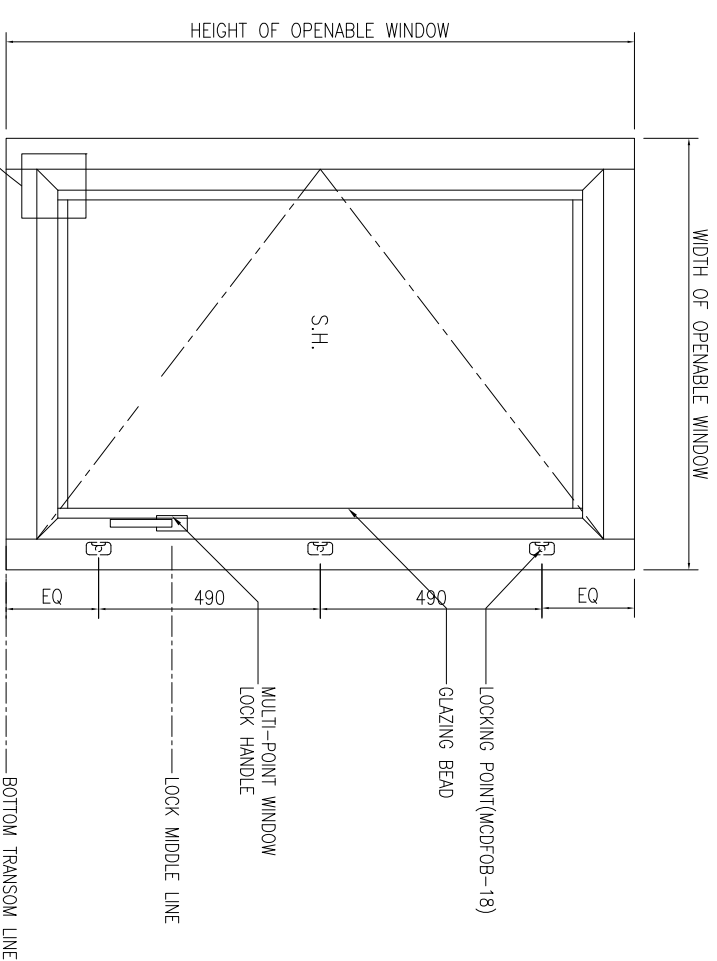
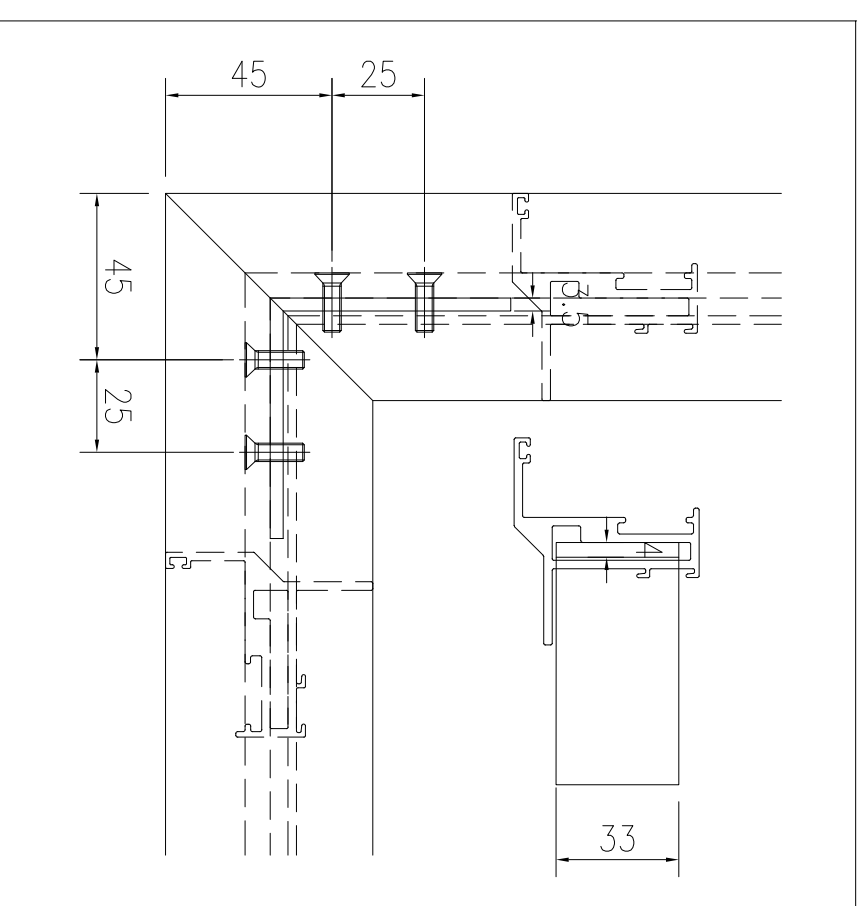
DRAWN BY : LHR CHECKED BY :



Units 6-8, Sunray Industrial Centre, 1/F  
610 Cha Kwo Ling Road, Kowloon  
Tel: 23489211-4 Fax: (852) 27277866

DWG NO. : J859-SD-PW-DT82 REV. : -

# 50 ALUM. WINDOW



⊗1 TYPICAL SECTION

S.F.L.

BOTTOM TRANSOM LINE

ARCHITECT :

**WONG TUNG & PARTNERS LIMITED**  
ARCHITECTS & PLANNERS

STRUCTURAL ENGINEER :

**SUN HUNG KAI**  
ARCHITECTS AND ENGINEERS LTD.

SUN HUNG KAI CENTRE, WANCHAI, HONGKONG  
TEL: 28278111 FAX: 28272894

FAÇADE CONSULTANT:

**ALPHA CONSULTING LIMITED**  
Steel Structure & Façade Specialist

MAIN CONTRACTOR :

**Sanfield Engineering**  
Construction Ltd.

CLIENT :

**SUN HUNG KAI**  
REAL ESTATE AGENCY LTD.

42/F, SUN HUNG KAI CENTRE, WANCHAI, HONGKONG

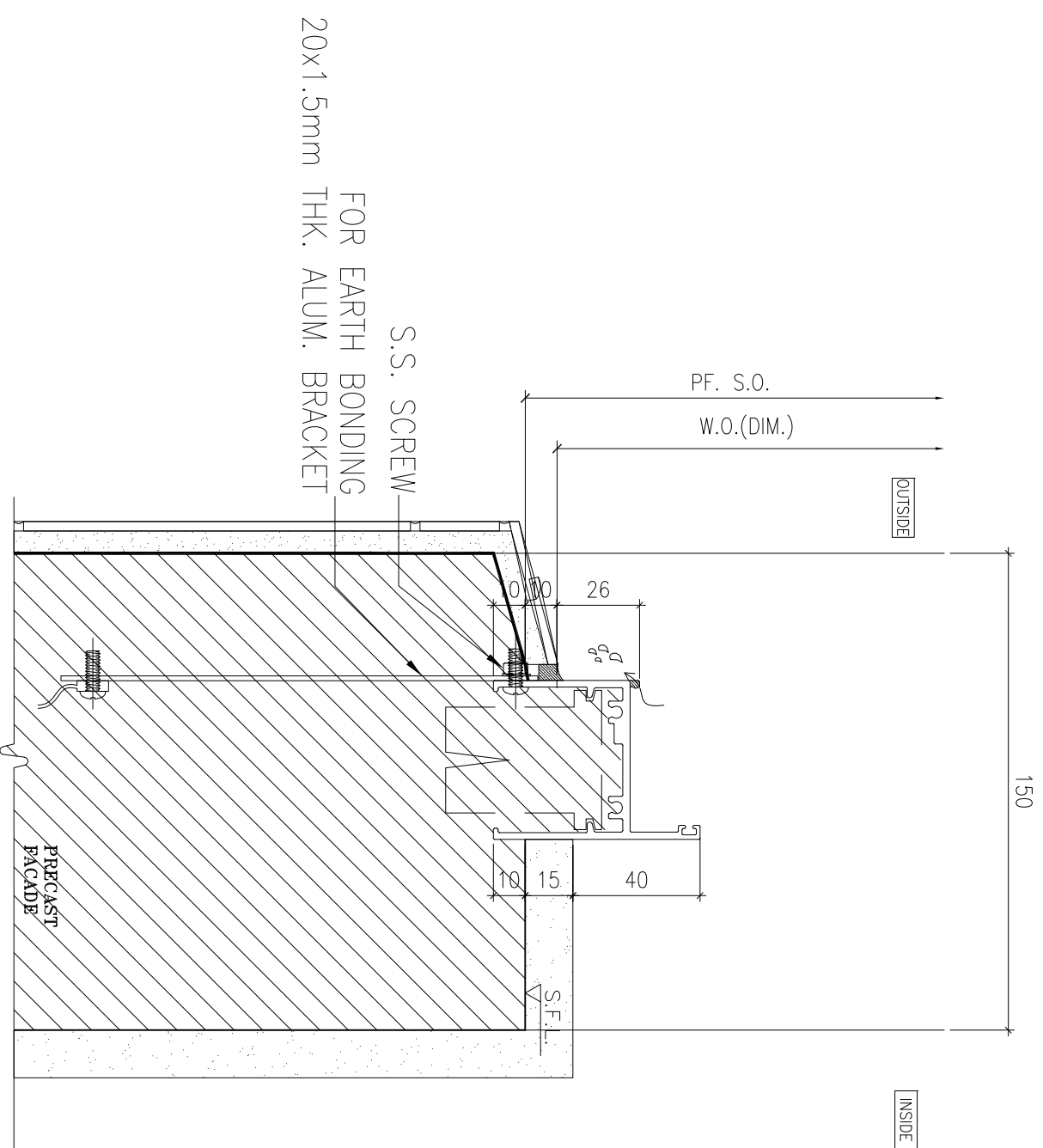
NOTE :

1. ALL DIMENSIONS ARE IN mm.
2. ALL ELEVATIONS ARE VIEWED FROM OUTSIDE.
3. ALL DIMENSIONS TO BE VERIFIED ON SITE BEFORE FABRICATION.

LEGEND :

⊗1—DETAIL MARK NO.  
X001—REFER SHEET NO.

1. F.F.L.--FINISHED FLOOR LEVEL
  2. S.F.L.--STRUCTURAL FLOOR LEVEL
  3. Ⓟ --REVERSED DETAIL
  4. GLASS LEGEND
- G1--8mmHS+12mm AIR GAP+10mmTP THK. LG.U.  
G2--8mmHS+12mm AIR GAP+8mmTP THK. LG.U.  
G8--6mm CRYSTAL GREY TP+1.52PB+6mm CLEAR TP



1 VERTICAL DETAIL

NO.	DATE	REVISION	BY

JOB NO. : J-859

PROJECT :  
PROPOSED RESIDENTIAL / COMMERCIAL  
DEVELOPMENT AT NIKIL NO.6551 KAI  
TAK AREA 4C, SITE 3  
KAI TAK, KOWLOON

TITLE :  
TYPICAL EARTHING  
BONDING DETAILS OF PRECAST

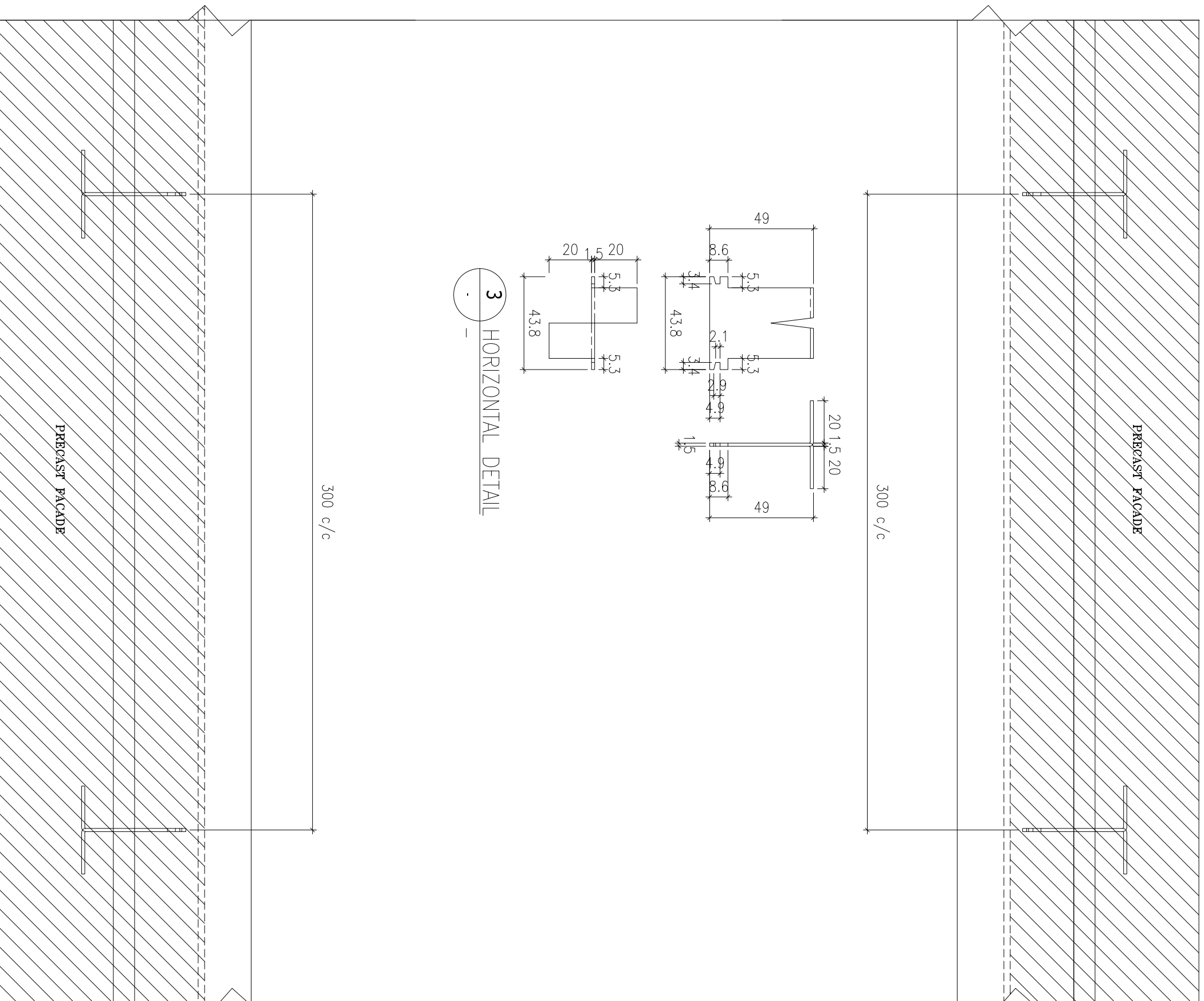
DATE : 10-Nov-21 SCALE : 1:2 (A3)

DRAWN BY : LHR CHECKED BY :

**美特铝业有限公司**  
MIDI ALUMINIUM FABRICATOR LTD.  
Units 6-8, Sunray Industrial Centre, 1/F  
610 Chee Kwo Ling Road, Kowloon  
Tel: 23489211-4 Fax: (852) 27277866

DWG NO. : J859-SD-PW-DT83

REV. : -



B.O. REF :

ARCHITECT : **WONG TUNG & PARTNERS LIMITED**  
ARCHITECTS & PLANNERS

STRUCTURAL ENGINEER : **SUN HUNG KAI ARCHITECTS AND ENGINEERS LTD.**  
SUN HUNG KAI CENTRE, WANCHAI, HONGKONG  
TEL: 28278111 FAX: 28272894

FAÇADE CONSULTANT: **ALPHA CONSULTING LIMITED**  
Steel Structure & Façade Specialist

MAIN CONTRACTOR : **Sanfield Engineering Construction Ltd.**

CLIENT : **SUN HUNG KAI REAL ESTATE AGENCY LTD.**  
42/F, SUN HUNG KAI CENTRE, WANCHAI, HONGKONG

NOTE :  
1. ALL DIMENSIONS ARE IN mm.  
2. ALL ELEVATIONS ARE VIEWED FROM OUTSIDE.  
3. ALL DIMENSIONS TO BE VERIFIED ON SITE BEFORE FABRICATION.

LEGEND :  
 (X1) DETAIL MARK NO.  
 (X001) REFER SHEET NO.

1. F.F.L.--FINISHED FLOOR LEVEL  
 2. S.F.L.--STRUCTURAL FLOOR LEVEL  
 3. (R) --REVERSED DETAIL  
 4. GLASS LEGEND  
 G1--6mmHS+12mm AIR GAP+10mmTP THK. LG.U.  
 G2--6mmHS+12mm AIR GAP+6mmTP THK. LG.U.  
 G8--6mm CRYSTAL GREY TP+1.52PB+6mm CLEAR TP

NO.	DATE	REVISION

JOB NO. : J-859

PROJECT : PROPOSED RESIDENTIAL / COMMERCIAL DEVELOPMENT AT NKIL NO.6551 KAI TAK AREA 4C, SITE 3  
KAI TAK, KOWLOON

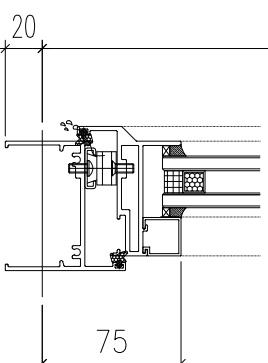
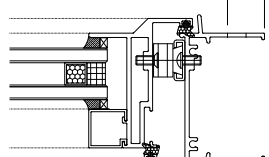
TITLE : G.M.S FIXING LUG TYPICAL DETAIL FOR ALUM. WINDOW

DATE : 10-Nov-21 SCALE : 1:2 (A3)

DRAWN BY : LHR CHECKED BY :

UNITED MIDDY 美特經貿有限公司  
ALUMINIUM FABRICATOR LTD.  
Units 6-8, Sunray Industrial Centre, 1/F  
610 Chee Kwo Ling Road, Kowloon  
Tel: 23489211-4 Fax: (852) 27277666  
DWG NO. : J859-SD-PW-D184 REV. : -

B.O. REF :



ARCHITECT :



STRUCTURAL ENGINEER :



SUN HUNG KAI CENTRE, WANCHAI, HONGKONG  
TEL: 28278111 FAX: 28272894

FAÇADE CONSULTANT:



MAIN CONTRACTOR :



CLIENT :



42/F, SUN HUNG KAI CENTRE, WANCHAI, HONGKONG

NOTE :

1. ALL DIMENSIONS ARE IN mm.
2. ALL ELEVATIONS ARE VIEWED FROM OUTSIDE.
3. ALL DIMENSIONS TO BE VERIFIED ON SITE BEFORE FABRICATION.

LEGEND :

- ⊗1 --- DETAIL MARK NO.
- ⊗001 --- REFER SHEET NO.

1. F.F.L. --- FINISHED FLOOR LEVEL
2. S.F.L. --- STRUCTURAL FLOOR LEVEL
3. Ⓢ --- REVERSED DETAIL

4. GLASS LEGEND

- G1 --- 6mmHS+12mm AIR GAP+10mmTP THK. LGU.
- G2 --- 6mmHS+12mm AIR GAP+6mmTP THK. LGU.
- G8 --- 6mm CRYSTAL GREY TP+1.52PB+6mm CLEAR TP

NO.	DATE	REVISION	BY

JOB NO. : J-859

PROJECT : PROPOSED RESIDENTIAL / COMMERCIAL DEVELOPMENT AT NKIL NO.6551 KAI TAK AREA 4C, SITE 3 KAI TAK, KOWLOON

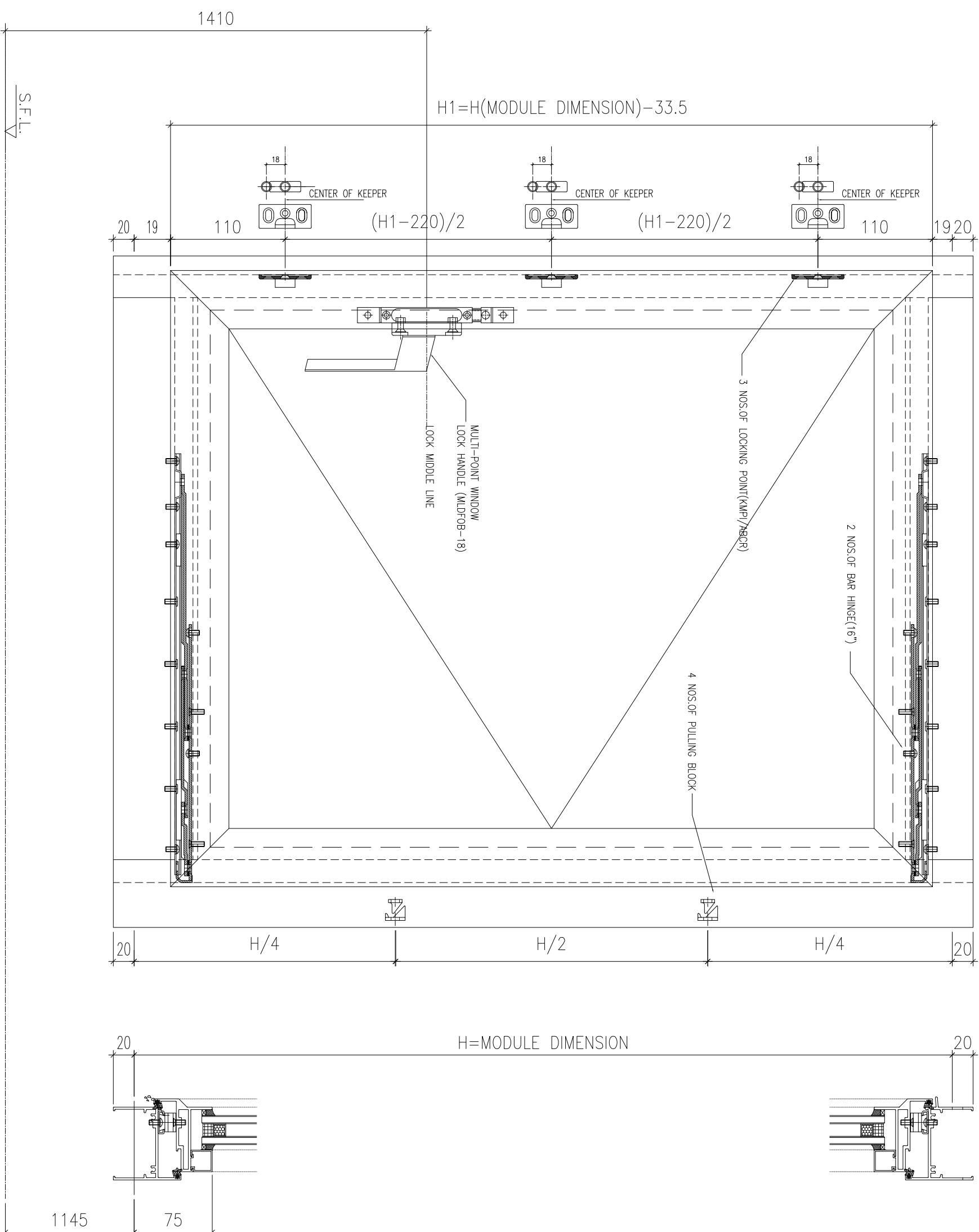
TITLE : TYPICAL EARTHING BONDING DETAILS OF PRECAST

DATE : 10-Nov-21 SCALE : 1:4 (A3)

DRAWN BY : LHR CHECKED BY :

**美特铝业有限公司**  
MIDI ALUMINIUM FABRICATOR LTD.  
Units 6-8, Sunray Industrial Centre, 1/F  
610 Cho Kwong Road, Kowloon  
Tel: 23489211-4 Fax: (852) 27277866

DWG NO. : J859-SD-PW-DT85 REV. : -



$H1 = H(\text{MODULE DIMENSION}) - 33.5$

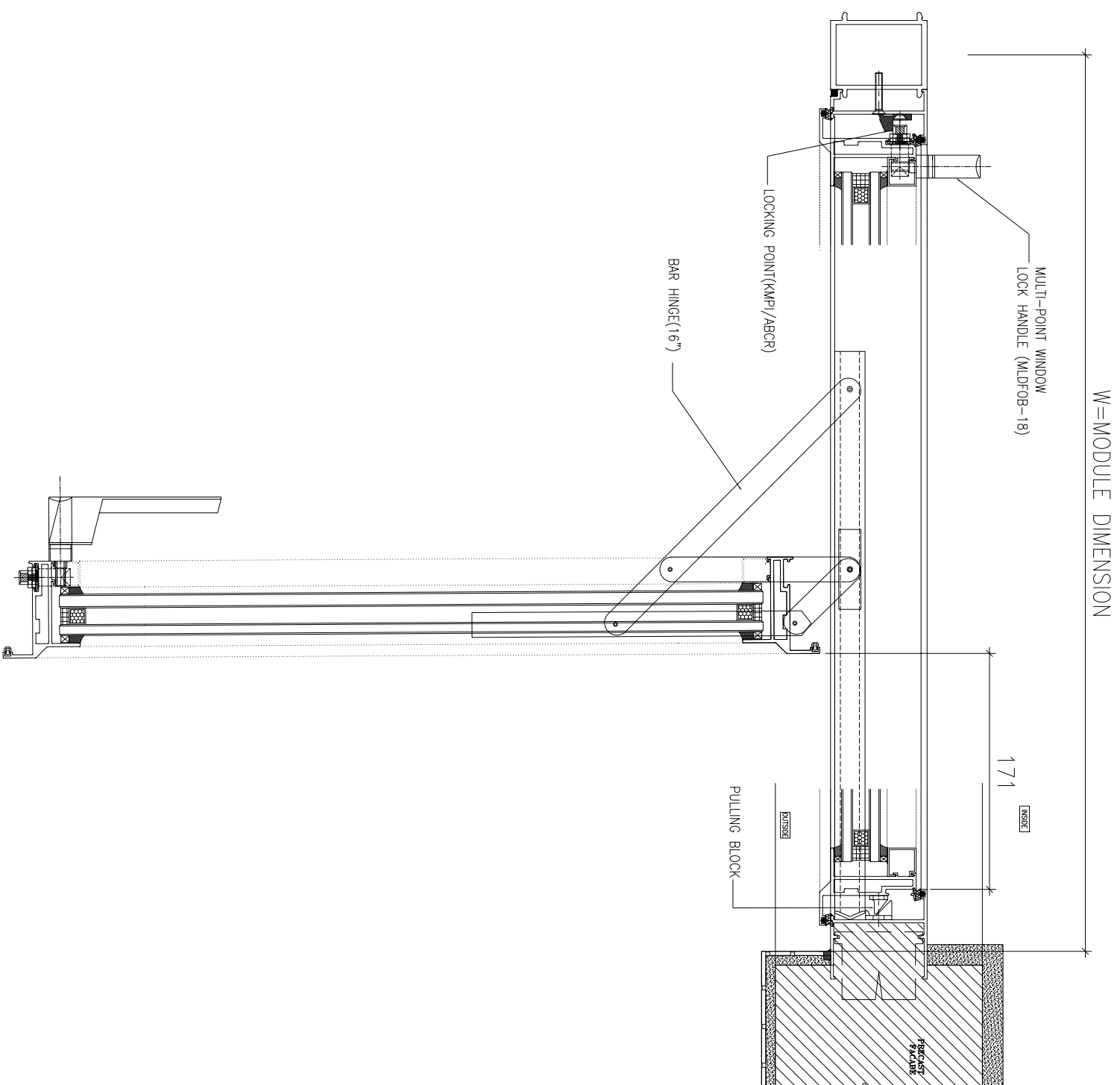
$(H1 - 220) / 2$

$(H1 - 220) / 2$

W=MODULE DIMENSION

H=MODULE DIMENSION

S.F.L.



ARCHITECT :

**WT**  
WONG TUNG & PARTNERS LIMITED  
ARCHITECTS & PLANNERS

STRUCTURAL ENGINEER :

**SUN HUNG KAI**  
ARCHITECTS AND ENGINEERS LTD.

SUN HUNG KAI CENTRE, WANCHAI, HONGKONG  
TEL: 28278111 FAX: 28272894

FAÇADE CONSULTANT:

**ALPHA CONSULTING LIMITED**  
Steel Structure & Façade Specialist

MAIN CONTRACTOR :

**Sanfield Engineering**  
Construction Ltd.

CLIENT :

**SUN HUNG KAI**  
REAL ESTATE AGENCY LTD.  
42/F SUN HUNG KAI CENTRE, WANCHAI, HONGKONG

NOTE :

1. ALL DIMENSIONS ARE IN mm.
2. ALL ELEVATIONS ARE VIEWED FROM OUTSIDE.
3. ALL DIMENSIONS TO BE VERIFIED ON SITE BEFORE FABRICATION.

LEGEND :

⊗11—DETAIL MARK NO.  
X001—REFER SHEET NO.

1. F.F.L.--FINISHED FLOOR LEVEL
2. S.F.L.--STRUCTURAL FLOOR LEVEL
3. (R) --REVERSED DETAIL

4. GLASS LEGEND

- G1--8mmHS+12mm AIR GAP+10mmTP THK. LG.U.  
G2--8mmHS+12mm AIR GAP+8mmTP THK. LG.U.  
G8--6mm CRYSTAL GREY TP+1.52PB+6mm CLEAR TP

NO.	DATE	REVISION	BY

JOB NO. : J-859

PROJECT :  
PROPOSED RESIDENTIAL / COMMERCIAL  
DEVELOPMENT AT NKIL NO.6551 KAI  
TAK AREA 4C, SITE 3  
KAI TAK, KOWLOON

TITLE :  
TYPICAL EARTHING  
BONDING DETAILS OF PRECAST

DATE : 10-Nov-21 SCALE : 1:4 (A3)

DRAWN BY : LHR CHECKED BY :

**美特铝质有限公司**  
MIDI ALUMINIUM FABRICATOR LTD.  
Units 6-8, Sunray Industrial Centre, 1/F  
610 Cho Kwong Road, Kowloon  
Tel: 23489211-4 Fax: (852) 27277866

DWG NO. : J859-SD-PW-DT86 REV. : -

**PROJECT :**

1

**PROPOSED RESIDENTIAL / COMMERCIAL  
DEVELOPMENT AT NKIL NO.6551 KAI  
TAK AREA 4C, SITE 3  
KAI TAK, KOWLOON**

**SHOPDRAWING SUBMISSION FOR  
PRE-CAST ALUM. WINDOW & LOUVRE  
(TOWER 3, TOWER 5, TOWER 6)**

**DATE : 22 - Nov. - 2021**

 **美特鋁質有限公司**  
**MIDI ALUMINIUM FABRICATOR LTD.**

Units 6-8, Sunray Industrial Centre, 1/F  
610 Cha Kwo Ling Road, Kowloon  
Tel:23489211-4 Fax:(852)27727666

DWG NO. : J859-SD-PW-0000

REV. : -





MEMBER: IW-17  
GRADE: 6063-T6  
FINISH: PVF2 3-COATING

REGIONS

MASS PROPERTIES (UNIT)	VALUES
Area (mm <sup>2</sup> ):	479.3
Perimeter (mm):	413.7
Bounding Box - X (mm):	-37.7 to 32.3
Bounding Box - Y (mm):	-33.9 to 31.1
Centroid - X (mm):	0.0
Centroid - Y (mm):	0.0
Moments of inertia - X (mm <sup>4</sup> ):	101200.9
Moments of inertia - Y (mm <sup>4</sup> ):	30745.1
Product of inertia - XY (mm <sup>4</sup> ):	-32193.3
Radius of gyration - X (mm):	14.9
Radius of gyration - Y (mm):	20.8
Principal moments along 2-2' (mm <sup>4</sup> ):	87080.0 along (1.0 0.3)
Principal moments along 1-1' (mm <sup>4</sup> ):	381377.0 along (-0.1 1.0)
Elastic Modulus - 2x (mm <sup>2</sup> ):	I / y-axis= 3069.9
Elastic Modulus - 2y (mm <sup>2</sup> ):	I / x-axis= 10292.4

MEMBER: AW-18  
GRADE: 6063-T6  
FINISH: PVF2 3-COATING

REGIONS

MASS PROPERTIES (UNIT)	VALUES
Area (mm <sup>2</sup> ):	339.8
Perimeter (mm):	216.7
Bounding Box - X (mm):	-25.5 to 25.5
Bounding Box - Y (mm):	-26.4 to 43.6
Centroid - X (mm):	0.0
Centroid - Y (mm):	0.0
Moments of inertia - X (mm <sup>4</sup> ):	21500.1
Moments of inertia - Y (mm <sup>4</sup> ):	23679.9
Product of inertia - XY (mm <sup>4</sup> ):	-482.9
Radius of gyration - X (mm):	28.5
Radius of gyration - Y (mm):	31.1
Principal moments along 2-2' (mm <sup>4</sup> ):	21544.2 along (1.0 0.0)
Principal moments along 1-1' (mm <sup>4</sup> ):	23642.0 along (0.0 1.0)
Elastic Modulus - 2x (mm <sup>2</sup> ):	I / y-axis= 3069.9
Elastic Modulus - 2y (mm <sup>2</sup> ):	I / x-axis= 1325.3

MEMBER: AW-19  
GRADE: 6061-T6  
FINISH: MILL

REGIONS

MASS PROPERTIES (UNIT)	VALUES
Area (mm <sup>2</sup> ):	424.8
Perimeter (mm):	260.0
Bounding Box - X (mm):	-17.6 to 47.4
Bounding Box - Y (mm):	-17.9 to 47.1
Centroid - X (mm):	0.0
Centroid - Y (mm):	0.0
Moments of inertia - X (mm <sup>4</sup> ):	19400.5
Moments of inertia - Y (mm <sup>4</sup> ):	19400.5
Product of inertia - XY (mm <sup>4</sup> ):	10033.6
Radius of gyration - X (mm):	20.4
Radius of gyration - Y (mm):	20.4
Principal moments along 2-2' (mm <sup>4</sup> ):	38434.3 along (0.7 0.3)
Principal moments along 1-1' (mm <sup>4</sup> ):	71363.3 along (-0.7 0.3)
Elastic Modulus - 2x (mm <sup>2</sup> ):	I / y-axis= 3069.9
Elastic Modulus - 2y (mm <sup>2</sup> ):	I / x-axis= 3069.9

MEMBER: AW-20  
GRADE: 6061-T6  
FINISH: MILL

REGIONS

MASS PROPERTIES (UNIT)	VALUES
Area (mm <sup>2</sup> ):	364.8
Perimeter (mm):	260.0
Bounding Box - X (mm):	-17.9 to 47.1
Bounding Box - Y (mm):	-17.9 to 47.1
Centroid - X (mm):	0.0
Centroid - Y (mm):	0.0
Moments of inertia - X (mm <sup>4</sup> ):	23247.1
Moments of inertia - Y (mm <sup>4</sup> ):	23247.1
Product of inertia - XY (mm <sup>4</sup> ):	13820.8
Radius of gyration - X (mm):	20.3
Radius of gyration - Y (mm):	20.3
Principal moments along 2-2' (mm <sup>4</sup> ):	37088.8 along (0.7 0.3)
Principal moments along 1-1' (mm <sup>4</sup> ):	63648.8 along (-0.7 0.3)
Elastic Modulus - 2x (mm <sup>2</sup> ):	I / y-axis= 4937.8
Elastic Modulus - 2y (mm <sup>2</sup> ):	I / x-axis= 4937.8

MEMBER: AW-21  
GRADE: 6063-T6  
FINISH:

REGIONS

MASS PROPERTIES (UNIT)	VALUES
Area (mm <sup>2</sup> ):	83.1
Perimeter (mm):	144.6
Bounding Box - X (mm):	-11.0 to 11.0
Bounding Box - Y (mm):	-0.0 to 25.1
Centroid - X (mm):	0.0
Centroid - Y (mm):	0.0
Moments of inertia - X (mm <sup>4</sup> ):	4434.9
Moments of inertia - Y (mm <sup>4</sup> ):	2914.8
Product of inertia - XY (mm <sup>4</sup> ):	136.1
Radius of gyration - X (mm):	7.3
Radius of gyration - Y (mm):	6.4
Principal moments along 2-2' (mm <sup>4</sup> ):	4423.7 along (1.0 -0.1)
Principal moments along 1-1' (mm <sup>4</sup> ):	2928.0 along (0.1 1.0)
Elastic Modulus - 2x (mm <sup>2</sup> ):	I / y-axis= 3069.9
Elastic Modulus - 2y (mm <sup>2</sup> ):	I / x-axis= 3069.9

MEMBER: AW-22  
GRADE: 6063-T6  
FINISH: PVF2 3-COATING

REGIONS

MASS PROPERTIES (UNIT)	VALUES
Area (mm <sup>2</sup> ):	330.64
Perimeter (mm):	238.46
Bounding Box - X (mm):	-32.4 to 33.4
Bounding Box - Y (mm):	-24.9 to 25.1
Centroid - X (mm):	0.0
Centroid - Y (mm):	0.0
Moments of inertia - X (mm <sup>4</sup> ):	80239.84
Moments of inertia - Y (mm <sup>4</sup> ):	131462.97
Product of inertia - XY (mm <sup>4</sup> ):	109772.83
Radius of gyration - X (mm):	18.52
Radius of gyration - Y (mm):	19.84
Principal moments along 2-2' (mm <sup>4</sup> ):	3148.12 along (0.77 -0.84)
Principal moments along 1-1' (mm <sup>4</sup> ):	218987.49 along (0.84 0.77)
Elastic Modulus - 2x (mm <sup>2</sup> ):	I / y-axis= 3069.9
Elastic Modulus - 2y (mm <sup>2</sup> ):	I / x-axis= 3041.11

MEMBER: AW-23  
GRADE: 6063-T6  
FINISH: PVF2 3-COATING

REGIONS

MASS PROPERTIES (UNIT)	VALUES
Area (mm <sup>2</sup> ):	622.6
Perimeter (mm):	355.2
Bounding Box - X (mm):	-37.2 to 22.8
Bounding Box - Y (mm):	-40.2 to 40.8
Centroid - X (mm):	0.0
Centroid - Y (mm):	0.0
Moments of inertia - X (mm <sup>4</sup> ):	211500.6
Moments of inertia - Y (mm <sup>4</sup> ):	232657.5
Product of inertia - XY (mm <sup>4</sup> ):	-4982.9
Radius of gyration - X (mm):	18.4
Radius of gyration - Y (mm):	19.4
Principal moments along 2-2' (mm <sup>4</sup> ):	209709.7 along (1.0 0.3)
Principal moments along 1-1' (mm <sup>4</sup> ):	232088.4 along (-0.3 1.0)
Elastic Modulus - 2x (mm <sup>2</sup> ):	I / y-axis= 3168.1
Elastic Modulus - 2y (mm <sup>2</sup> ):	I / x-axis= 4977.4

MEMBER: AW-24  
GRADE: 6063-T6  
FINISH: PVF2 3-COATING

REGIONS

MASS PROPERTIES (UNIT)	VALUES
Area (mm <sup>2</sup> ):	384.1
Perimeter (mm):	273.9
Bounding Box - X (mm):	-36.1 to 34.9
Bounding Box - Y (mm):	-34.8 to 36.4
Centroid - X (mm):	0.0
Centroid - Y (mm):	0.0
Moments of inertia - X (mm <sup>4</sup> ):	167824.3
Moments of inertia - Y (mm <sup>4</sup> ):	212905.7
Product of inertia - XY (mm <sup>4</sup> ):	160228.9
Radius of gyration - X (mm):	20.9
Radius of gyration - Y (mm):	23.5
Principal moments along 2-2' (mm <sup>4</sup> ):	3362.0 along (0.7 0.3)
Principal moments along 1-1' (mm <sup>4</sup> ):	378192.9 along (-0.7 0.7)
Elastic Modulus - 2x (mm <sup>2</sup> ):	I / y-axis= 4127.9
Elastic Modulus - 2y (mm <sup>2</sup> ):	I / x-axis= 6067.3

MEMBER: AW-25  
GRADE: 6063-T6  
FINISH: PVF2 3-COATING

REGIONS

MASS PROPERTIES (UNIT)	VALUES
Area (mm <sup>2</sup> ):	714.6
Perimeter (mm):	415.3
Bounding Box - X (mm):	-47.4 to 32.6
Bounding Box - Y (mm):	-40.2 to 40.8
Centroid - X (mm):	0.0
Centroid - Y (mm):	0.0
Moments of inertia - X (mm <sup>4</sup> ):	230294.3
Moments of inertia - Y (mm <sup>4</sup> ):	320172.2
Product of inertia - XY (mm <sup>4</sup> ):	-6682.4
Radius of gyration - X (mm):	18.3
Radius of gyration - Y (mm):	27.4
Principal moments along 2-2' (mm <sup>4</sup> ):	330287.7 along (1.0 0.0)
Principal moments along 1-1' (mm <sup>4</sup> ):	321854.7 along (0.0 1.0)
Elastic Modulus - 2x (mm <sup>2</sup> ):	I / y-axis= 3069.9
Elastic Modulus - 2y (mm <sup>2</sup> ):	I / x-axis= 10979.3

MEMBER: AW-26  
GRADE: 6063-T6  
FINISH: PVF2 3-COATING

REGIONS

MASS PROPERTIES (UNIT)	VALUES
Area (mm <sup>2</sup> ):	494.9
Perimeter (mm):	404.3
Bounding Box - X (mm):	-38.6 to 31.4
Bounding Box - Y (mm):	-40.5 to 40.5
Centroid - X (mm):	0.0
Centroid - Y (mm):	0.0
Moments of inertia - X (mm <sup>4</sup> ):	227208.4
Moments of inertia - Y (mm <sup>4</sup> ):	404318.9
Product of inertia - XY (mm <sup>4</sup> ):	8.8
Radius of gyration - X (mm):	18.5
Radius of gyration - Y (mm):	28.4
Principal moments along 2-2' (mm <sup>4</sup> ):	227208.4 along (1.0 0.0)
Principal moments along 1-1' (mm <sup>4</sup> ):	404318.9 along (0.0 1.0)
Elastic Modulus - 2x (mm <sup>2</sup> ):	I / y-axis= 3069.9
Elastic Modulus - 2y (mm <sup>2</sup> ):	I / x-axis= 12538.4

MEMBER: AW-27  
GRADE: 6063-T6  
FINISH: PVF2 3-COATING

REGIONS

MASS PROPERTIES (UNIT)	VALUES
Area (mm <sup>2</sup> ):	384.1
Perimeter (mm):	273.9
Bounding Box - X (mm):	-36.1 to 34.9
Bounding Box - Y (mm):	-34.8 to 36.4
Centroid - X (mm):	0.0
Centroid - Y (mm):	0.0
Moments of inertia - X (mm <sup>4</sup> ):	167824.3
Moments of inertia - Y (mm <sup>4</sup> ):	212905.7
Product of inertia - XY (mm <sup>4</sup> ):	160228.9
Radius of gyration - X (mm):	20.9
Radius of gyration - Y (mm):	23.5
Principal moments along 2-2' (mm <sup>4</sup> ):	3362.0 along (0.7 0.3)
Principal moments along 1-1' (mm <sup>4</sup> ):	378192.9 along (-0.7 0.7)
Elastic Modulus - 2x (mm <sup>2</sup> ):	I / y-axis= 4127.9
Elastic Modulus - 2y (mm <sup>2</sup> ):	I / x-axis= 6067.3

MEMBER: AW-28  
GRADE: 6063-T6  
FINISH: PVF2 3-COATING

REGIONS

MASS PROPERTIES (UNIT)	VALUES
Area (mm <sup>2</sup> ):	714.6
Perimeter (mm):	415.3
Bounding Box - X (mm):	-47.4 to 32.6
Bounding Box - Y (mm):	-40.2 to 40.8
Centroid - X (mm):	0.0
Centroid - Y (mm):	0.0
Moments of inertia - X (mm <sup>4</sup> ):	230294.3
Moments of inertia - Y (mm <sup>4</sup> ):	320172.2
Product of inertia - XY (mm <sup>4</sup> ):	-6682.4
Radius of gyration - X (mm):	18.3
Radius of gyration - Y (mm):	27.4
Principal moments along 2-2' (mm <sup>4</sup> ):	330287.7 along (1.0 0.0)
Principal moments along 1-1' (mm <sup>4</sup> ):	321854.7 along (0.0 1.0)
Elastic Modulus - 2x (mm <sup>2</sup> ):	I / y-axis= 3069.9
Elastic Modulus - 2y (mm <sup>2</sup> ):	I / x-axis= 10979.3

MEMBER: AW-29  
GRADE: 6063-T6  
FINISH: PVF2 3-COATING

REGIONS

MASS PROPERTIES (UNIT)	VALUES
Area (mm <sup>2</sup> ):	622.6
Perimeter (mm):	355.2
Bounding Box - X (mm):	-37.2 to 22.8
Bounding Box - Y (mm):	-40.2 to 40.8
Centroid - X (mm):	0.0
Centroid - Y (mm):	0.0
Moments of inertia - X (mm <sup>4</sup> ):	211500.6
Moments of inertia - Y (mm <sup>4</sup> ):	232657.5
Product of inertia - XY (mm <sup>4</sup> ):	-4982.9
Radius of gyration - X (mm):	18.4
Radius of gyration - Y (mm):	19.4
Principal moments along 2-2' (mm <sup>4</sup> ):	209709.7 along (1.0 0.3)
Principal moments along 1-1' (mm <sup>4</sup> ):	232088.4 along (-0.3 1.0)
Elastic Modulus - 2x (mm <sup>2</sup> ):	I / y-axis= 3168.1
Elastic Modulus - 2y (mm <sup>2</sup> ):	I / x-axis= 4977.4

MEMBER: AW-30  
GRADE: 6063-T6  
FINISH: PVF2 3-COATING

REGIONS

MASS PROPERTIES (UNIT)	VALUES
Area (mm <sup>2</sup> ):	384.1
Perimeter (mm):	273.9
Bounding Box - X (mm):	-36.1 to 34.9
Bounding Box - Y (mm):	-34.8 to 36.4
Centroid - X (mm):	0.0
Centroid - Y (mm):	0.0
Moments of inertia - X (mm <sup>4</sup> ):	167824.3
Moments of inertia - Y (mm <sup>4</sup> ):	212905.7
Product of inertia - XY (mm <sup>4</sup> ):	160228.9
Radius of gyration - X (mm):	20.9
Radius of gyration - Y (mm):	23.5
Principal moments along 2-2' (mm <sup>4</sup> ):	3362.0 along (0.7 0.3)
Principal moments along 1-1' (mm <sup>4</sup> ):	378192.9 along (-0.7 0.7)
Elastic Modulus - 2x (mm <sup>2</sup> ):	I / y-axis= 4127.9
Elastic Modulus - 2y (mm <sup>2</sup> ):	I / x-axis= 6067.3

MEMBER: AW-31  
GRADE: 6063-T6  
FINISH: PVF2 3-COATING

REGIONS

MASS PROPERTIES (UNIT)	VALUES
Area (mm <sup>2</sup> ):	714.6
Perimeter (mm):	415.3
Bounding Box - X (mm):	-47.4 to 32.6
Bounding Box - Y (mm):	-40.2 to 40.8
Centroid - X (mm):	0.0
Centroid - Y (mm):	0.0
Moments of inertia - X (mm <sup>4</sup> ):	230294.3
Moments of inertia - Y (mm <sup>4</sup> ):	320172.2
Product of inertia - XY (mm <sup>4</sup> ):	-6682.4
Radius of gyration - X (mm):	18.3
Radius of gyration - Y (mm):	27.4
Principal moments along 2-2' (mm <sup>4</sup> ):	330287.7 along (1.0 0.0)
Principal moments along 1-1' (mm <sup>4</sup> ):	321854.7 along (0.0 1.0)
Elastic Modulus - 2x (mm <sup>2</sup> ):	I / y-axis= 3069.9
Elastic Modulus - 2y (mm <sup>2</sup> ):	I / x-axis= 10979.3

MEMBER: AW-32  
GRADE: 6063-T6  
FINISH:

REGIONS

MASS PROPERTIES (UNIT)	VALUES
Area (mm <sup>2</sup> ):	384.1
Perimeter (mm):	273.9
Bounding Box - X (mm):	-36.1 to 34.9
Bounding Box - Y (mm):	-34.8 to 36.4
Centroid - X (mm):	0.0
Centroid - Y (mm):	0.0
Moments of inertia - X (mm <sup>4</sup> ):	167824.3
Moments of inertia - Y (mm <sup>4</sup> ):	212905.7
Product of inertia - XY (mm <sup>4</sup> ):	160228.9
Radius of gyration - X (mm):	20.9
Radius of gyration - Y (mm):	23.5
Principal moments along 2-2' (mm <sup>4</sup> ):	3362.0 along (0.7 0.3)
Principal moments along 1-1' (mm <sup>4</sup> ):	378192.9 along (-0.7 0.7)
Elastic Modulus - 2x (mm <sup>2</sup> ):	I / y-axis= 4127.9
Elastic Modulus - 2y (mm <sup>2</sup> ):	I / x-axis= 6067.3

B.D. REF :  
.....

ARCHITECT :  
**WT** WONG TUNG & PARTNERS LIMITED  
ARCHITECTS & PLANNERS

STRUCTURAL ENGINEER :  
**SUN HUNG KAI**  
ARCHITECTS AND ENGINEERS LTD.  
SUN HUNG KAI CENTRE, WANCHAI, HONGKONG  
TEL: 28278111 FAX: 28272884

FAÇADE CONSULTANT:  
**ALPHA CONSULTING LIMITED**  
Steel Structure & Façade Specialist

MAIN CONTRACTOR :  
**Sanfield Engineering Construction Ltd.**

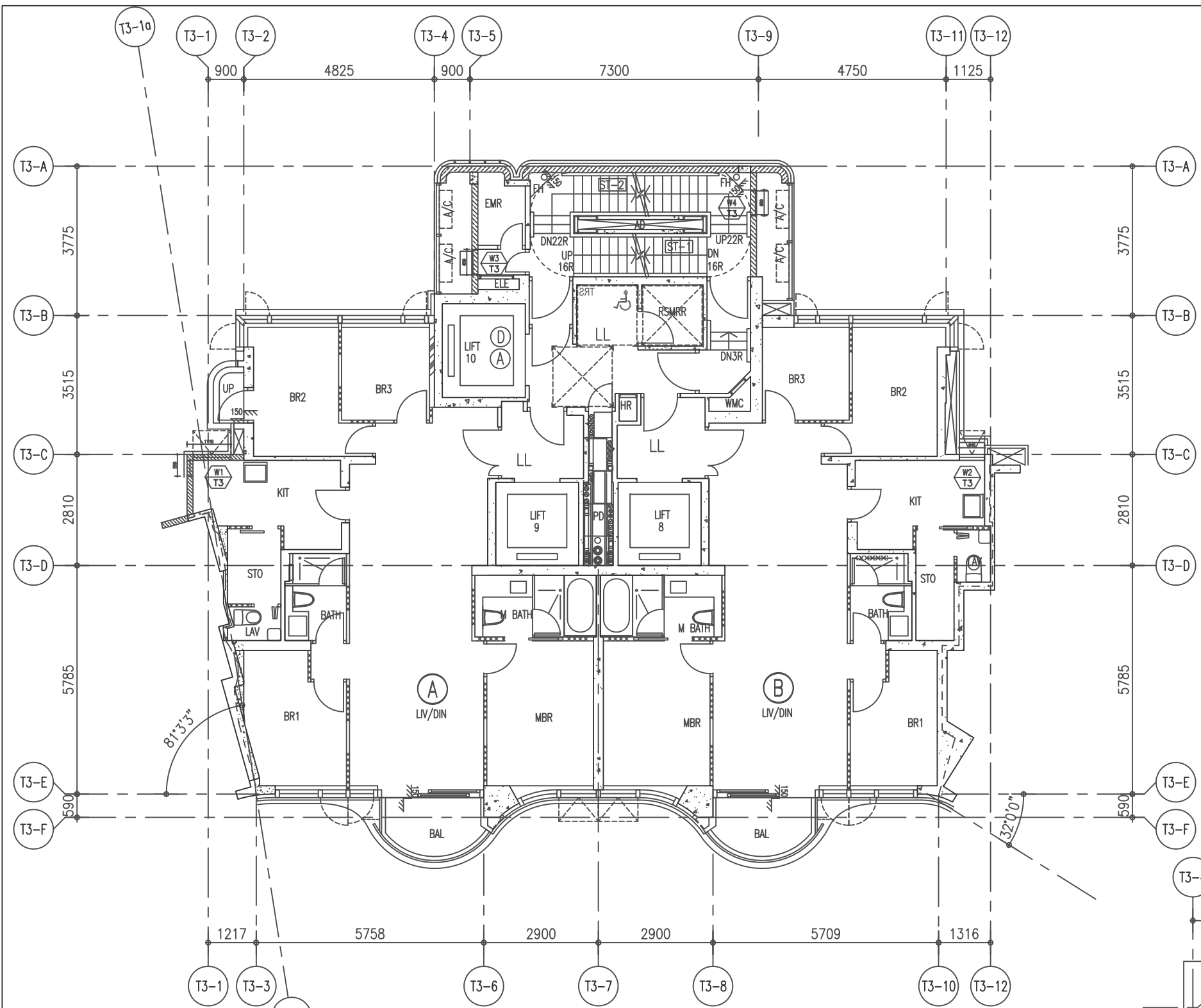
CLIENT :  
**SUN HUNG KAI**  
REAL ESTATE AGENCY LTD.  
42/F SUN HUNG KAI CENTRE, WANCHAI, HONGKONG

NOTE :  
1. ALL DIMENSIONS ARE IN mm.  
2. ALL ELEVATIONS ARE VIEWED FROM OUTSIDE.  
3. ALL DIMENSIONS TO BE VERIFIED ON SITE BEFORE FABRICATION.

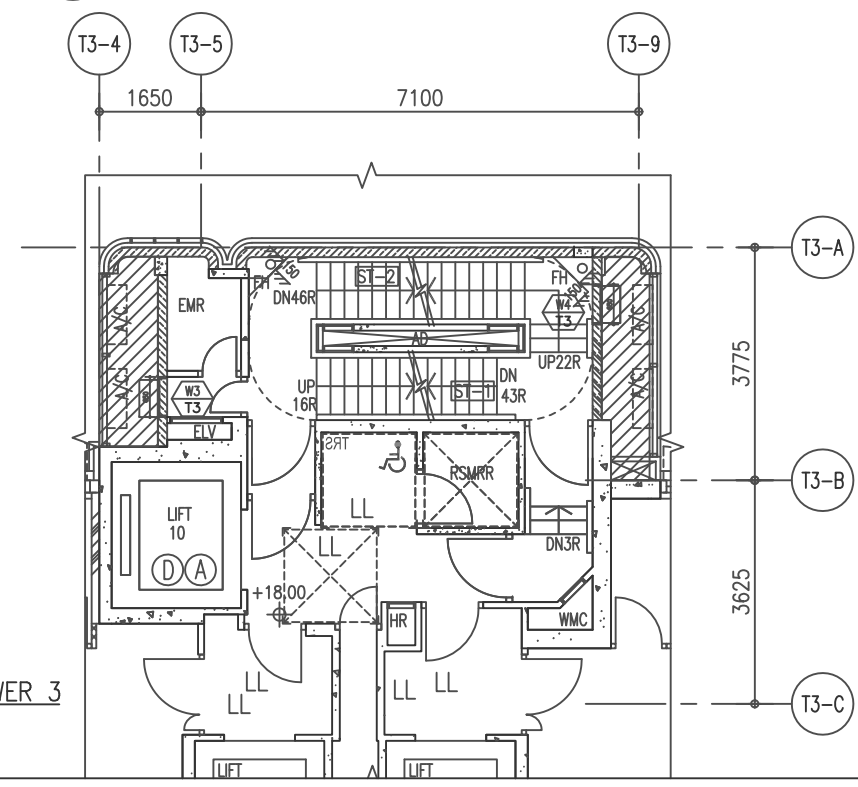
LEGEND :  
X1 --- DETAIL MARK NO.  
X001 --- REFER SHEET NO.  
1. F.F.L. --- FINISHED FLOOR LEVEL  
2. S.F.L. --- STRUCTURAL FLOOR LEVEL  
3. (R) --- REVERSED DETAIL  
4. GLASS LEGEND  
G1 --- 8mmHS+12mm AIR GAP+10mmTP THK. I.G.U.  
G2 --- 8mmHS+12mm AIR GAP+8mmTP THK. I.G.U.  
G8 --- 6mm CRYSTAL GREY TP+1.52PVB+6mm CLEAR TP

NO.	DATE	REVISED	BY

JOB NO. : J-859  
PROJECT : PROPOSED RESIDENTIAL / COMMERCIAL DEVELOPMENT AT NKIL NO.6551 KAI TAK AREA 4C, SITE 3 KAI TAK, KOWLOON  
TITLE : DIE LIST FOR ALUM. WINDOW  
DATE : 10-Nov-21 SCALE : 1:4 (A3)  
DRAWN BY : LHR CHECKED BY :  
**美特鋁質有限公司**  
MIDI ALUMINIUM FABRICATOR LTD.  
Units 6-8, Sunray Industrial Centre, 1/F  
610 Cha Kwo Ling Road, Kowloon  
Tel:23489211-4 Fax:(852)2727666  
DWG NO. : J859-SD-PW-1102 REV. : -



2/F TO 26/F WINDOW LOCATION PLAN FOR PRECAST FACADE  
AT TOWER 3 (21 STOREYS, 4/F,13/F,14/F,24/F OMITTED)



2/F PART PLAN OF TOWER 3

B.D. REF :

ARCHITECT :  
 WONG TUNG & PARTNERS LIMITED  
 ARCHITECTS & PLANNERS

STRUCTURAL ENGINEER :  
 SUN HUNG KAI  
 ARCHITECTS AND ENGINEERS LTD.  
 SUN HUNG KAI CENTRE, WANCHAI, HONGKONG  
 TEL. 28278111 FAX. 28272884

FACADE CONSULTANT:  
 ALPHA CONSULTING LIMITED  
 Steel Structure & Facade Specialist

MAIN CONTRACTOR :  
 Sanfield Engineering  
 Construction Ltd.

CLIENT :  
 SUN HUNG KAI  
 REAL ESTATE AGENCY LTD.  
 42/F SUN HUNG KAI CENTRE, WANCHAI, HONGKONG

- NOTE :
1. ALL DIMENSIONS ARE IN mm.
  2. ALL ELEVATIONS ARE VIEWED FROM OUTSIDE.
  3. ALL DIMENSIONS TO BE VERIFIED ON SITE BEFORE FABRICATION.
- LEGEND :
- (x1) — DETAIL MARK NO.  
 (x001) — REFER SHEET NO.
1. F.F.L. — FINISHED FLOOR LEVEL
  2. S.F.L. — STRUCTURAL FLOOR LEVEL
  3. (R) — REVERSED DETAIL
  4. GLASS LEGEND
- G1 — 8mmHS+12mm AIR GAP+10mmTP THK. I.G.U.  
 G2 — 8mmHS+12mm AIR GAP+8mmTP THK. I.G.U.  
 G8 — 6mm CRYSTAL GREY TP+1.52PVB+6mm CLEAR TP

NO.	DATE	REVISED	BY

JOB NO. : J-859

PROJECT :  
 PROPOSED RESIDENTIAL / COMMERCIAL  
 DEVELOPMENT AT NKIL NO.6551 KAI  
 TAK AREA 4C, SITE 3  
 KAI TAK, KOWLOON

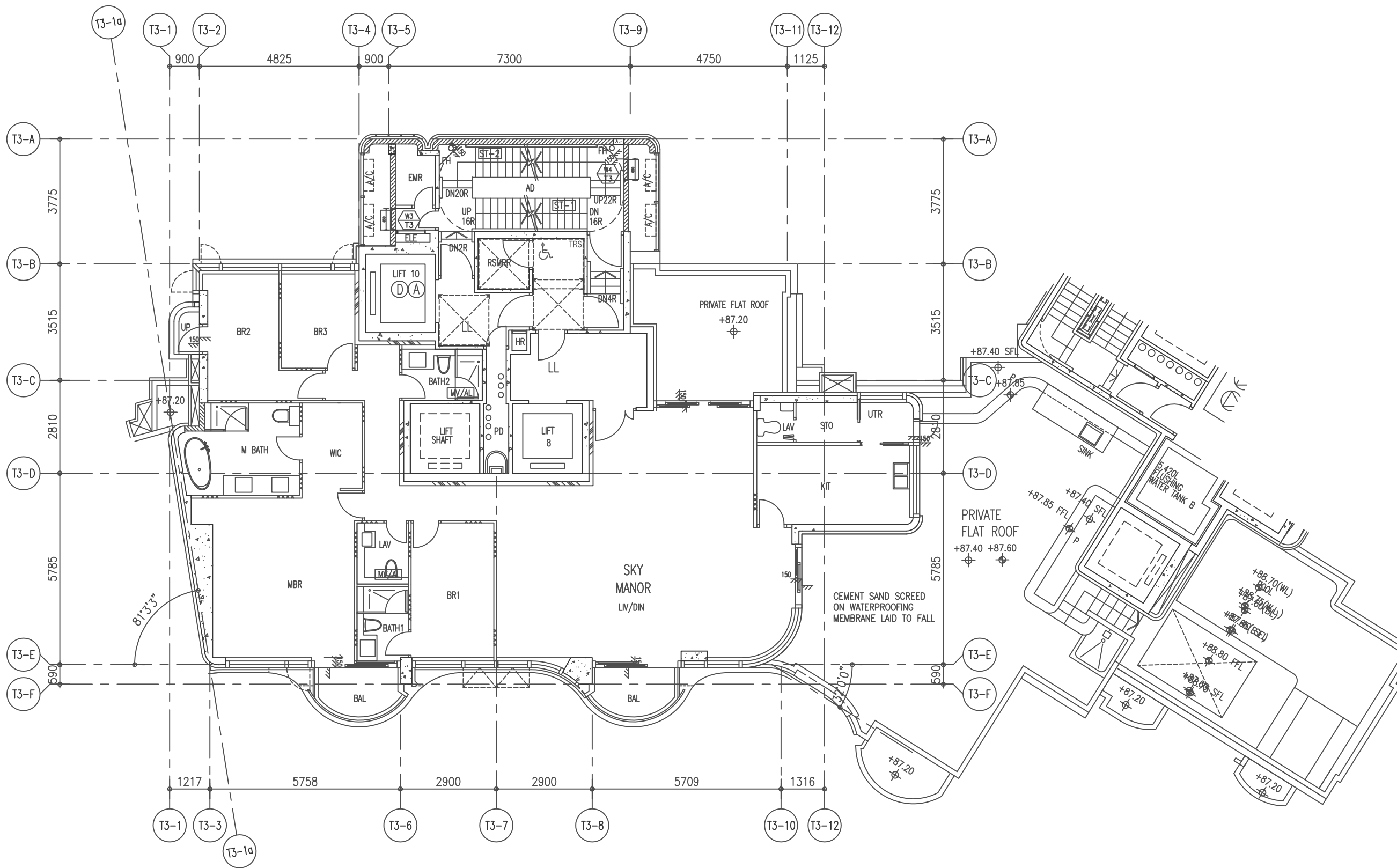
TITLE :  
 2~26/F WINDOW LOCATION PLAN  
 FOR PRECAST FACADE  
 AT TOWER 3

DATE : 17-Nov-21 SCALE : 1:60 (A3)

DRAWN BY : LHR CHECKED BY :

美特鋁質有限公司  
 ALUMINIUM FABRICATOR LTD.  
 Units 6-8, Sunray Industrial Centre, 1/F  
 610 Cha Kwo Ling Road, Kowloon  
 Tel:23489211-4 Fax:(852)2727666

DWG NO. : J859-SD-PL-301 REV. : -



27/F WINDOW LOCATION PLAN  
FOR PRECAST FACADE AT TOWER 3

B.D. REF :

**LEGEND :**

- ⊗ BALANCE FLUE TO BE PROVIDED ACCORDINGLY.
- ▭ BATH ROOM EAD DUCT TO BE DEMOUNTABLE TYPE WITH 150 x 225 ACCESS PANEL AT EVERY 4 METRES AND AT THE CHANGE OF DIRECTION ADJACENT TO TURNING VANES OR ADJACENT TO DAMPERS.

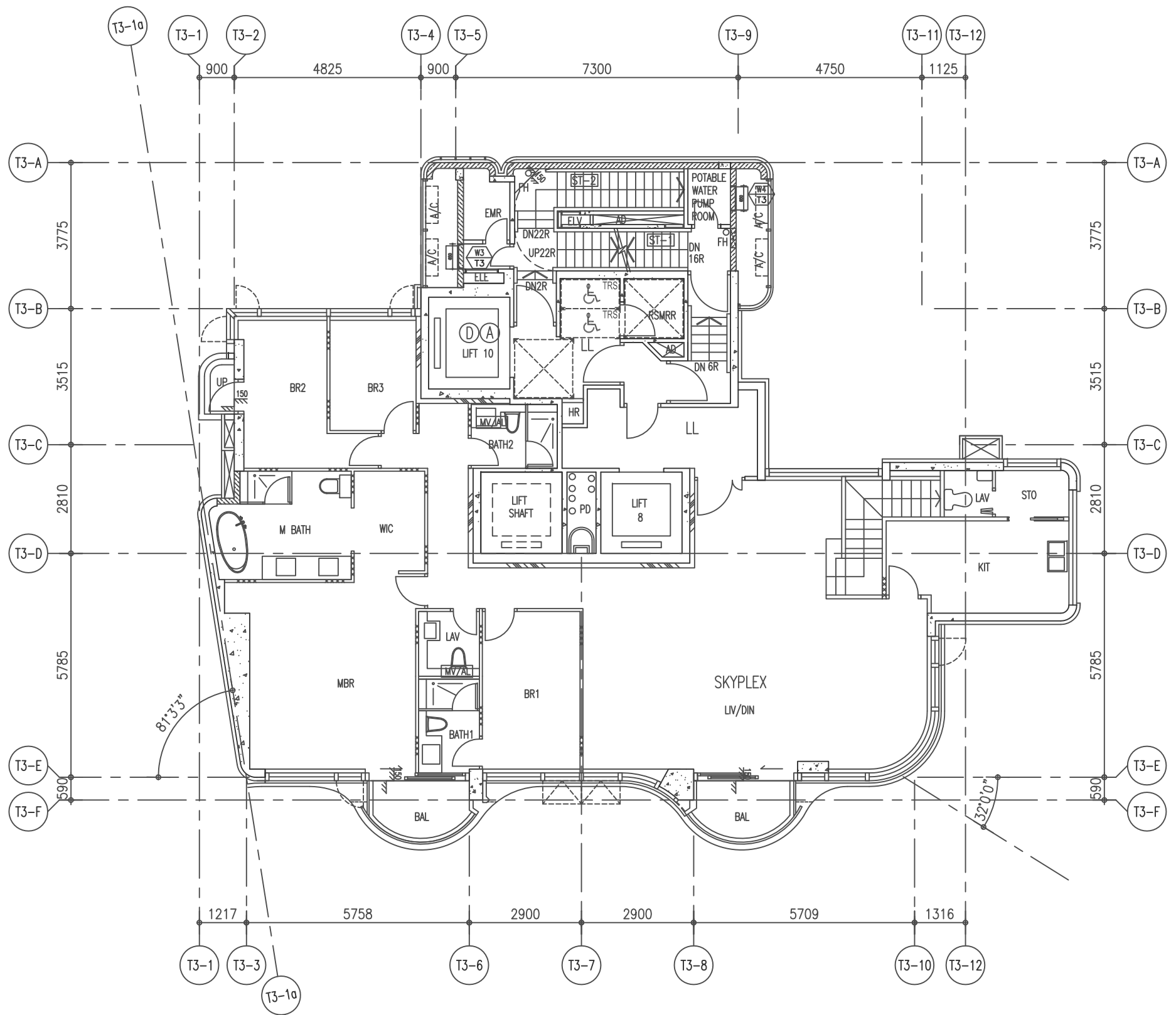
ARCHITECT : **WONG TUNG KAI ARCHITECTS LIMITED**  
 STRUCTURAL ENGINEER : PRECAST FACADE **SUN HUNG KAI ARCHITECTS LIMITED**  
 SUN HUNG KAI CONSULTANTS (S.H.K.)  
 FACADE CONSULTANT : NON-STANDARD GAS WATER HEATER AND TERMINAL **ALPHA CONSULTING LIMITED**  
 Steel Structure & Facade Specialist  
 MAIN CONTRACTOR : R.C. WALL **Sanfield Engineering Construction Ltd.**

CLIENT :

- FLOOR NOS. 4, 13, 14, 24 & 34 NOT USED.
- A SYSTEM OF ARTIFICIAL LIGHTING & MECHANICAL VENTILATION PROVISION PROVIDED FOR ALL INTERNAL BATHROOMS WITH ACCESS PANEL.

- NOTE :**
- ALL DIMENSIONS TO BE PROVIDED WITH LOUVERES HAVING A MINIMUM SIZE OF 5% OF THE FLOOR AREA.
  - ALL ELEVATIONS ARE VIEWED FROM OUTSIDE.
  - ALL DIMENSIONS TO BE VERIFIED ON SITE BEFORE FABRICATION.
- LEGEND :**
- x1 -- DETAIL MARK NO.
  - x001 -- REFER SHEET NO.
- F.F.L. -- FINISHED FLOOR LEVEL
  - S.F.L. -- STRUCTURAL FLOOR LEVEL
  - (R) -- REVERSED DETAIL
  - GLASS LEGEND
  - G1 -- 8mmHS+12mm AIR GAP+10mmTP THK. I.G.U.
  - G2 -- 8mmHS+12mm AIR GAP+8mmTP THK. I.G.U.
  - G8 -- 6mm CRYSTAL GREY TP+1.52PVB+6mm CLEAR TP

NO.	DATE	REVISED	BY
JOB NO. : J-859			
PROJECT : PROPOSED RESIDENTIAL / COMMERCIAL DEVELOPMENT AT NKIL NO.6551 KAI TAK AREA 4C, SITE 3 KAI TAK, KOWLOON			
TITLE : 27/F WINDOW LOCATION PLAN FOR PRECAST FACADE AT TOWER 3			
DATE : 17-Nov-21		SCALE : 1:60 (A3)	
DRAWN BY : LHR		CHECKED BY :	
<b>美特鋁質有限公司</b> <b>MIDI ALUMINIUM FABRICATOR LTD.</b> Units 6-8, Sunray Industrial Centre, 1/F 610 Cha Kwo Ling Road, Kowloon Tel:23489211-4 Fax:(852)2727666			
DWG NO. : J859-SD-PL-302			REV. : -



28/F WINDOW LOCATION PLAN  
FOR PRECAST FACADE AT TOWER 3

B.D. REF :

LEGEND :  
 ⊗ BALANCE FLUE TO BE PROVIDED ACCORDINGLY.  
 [Symbol] BATH ROOM EAD DUCT TO BE DEMOUNTABLE TYPE WITH 150 x 225 ACCESS PANEL AT EVERY 4 METRES AND AT THE CHANGE OF DIRECTION ADJACENT TO TURNING VANES OR ADJACENT TO DAMPERS.

ARCHITECT :  
**WONG TUNG & PARTNERS LIMITED**  
 ARCHITECTS (INCORPORATED IN HONGKONG)  
 (SEPARATE SUBMISSION)

STRUCTURAL ENGINEER : PRECAST FACADE  
**SUN HUNG KAI**  
 ARCHITECTS AND ENGINEERS LTD.  
 © PROVISIONAL SPACE ALLOWED FOR SUN HUNG KAI CSMWARY GAS WATER HEATER FLUE APERTURE AX. 28272884

FACADE CONSULTANT :  
 NON-STANDARD GAS WATER HEATER AND TERMINAL  
**ALPHA CONSULTING LIMITED**  
 Steel Structure & Facade Specialist  
 SUNKEN SLAB

MAIN CONTRACTOR : R.C. WALL  
**Sanfield Engineering Construction Ltd.**

CLIENT :  
 1. FLOOR NOS. 4, 13, 14, 24 & 34 NOT USED.  
 2. A SYSTEM OF ARTIFICIAL LIGHTING & MECHANICAL VENTILATION PROVISIONS PROVIDED FOR ALL INTERNAL BATHROOMS.  
**SUN HUNG KAI**  
 42/F SUN HUNG KAI CENTRE HONGKONG WITH ACCESS PANEL

NOTE :  
 4. ALL DOORS OF INTERNAL BATHROOMS WITHOUT NATURAL VENTILATION TO BE PROVIDED WITH LOUVRES HAVING A MINIMUM SIZE OF 5% OF THE FLOOR AREA.  
 1. ALL DIMENSIONS TO BE VERIFIED ON SITE BEFORE FABRICATION.  
 2. ALL ELEVATIONS ARE VIEW FROM OUTSIDE.  
 3. ALL DIMENSIONS TO BE VERIFIED ON SITE BEFORE FABRICATION.

LEGEND :  
 (x1) -- DETAIL MARK NO.  
 (x001) -- REFER SHEET NO.  
 1. F.F.L. -- FINISHED FLOOR LEVEL  
 2. S.F.L. -- STRUCTURAL FLOOR LEVEL  
 3. (R) -- REVERSED DETAIL  
 4. GLASS LEGEND  
 G1 -- 8mmHS+12mm AIR GAP+10mmTP THK. I.G.U.  
 G2 -- 8mmHS+12mm AIR GAP+8mmTP THK. I.G.U.  
 G8 -- 6mm CRYSTAL GREY TP+1.52PVB+6mm CLEAR TP

NO.	DATE	REVISED	BY

JOB NO. : J-859  
 PROJECT : PROPOSED RESIDENTIAL / COMMERCIAL DEVELOPMENT AT NKIL NO.6551 KAI TAK AREA 4C, SITE 3 KAI TAK, KOWLOON

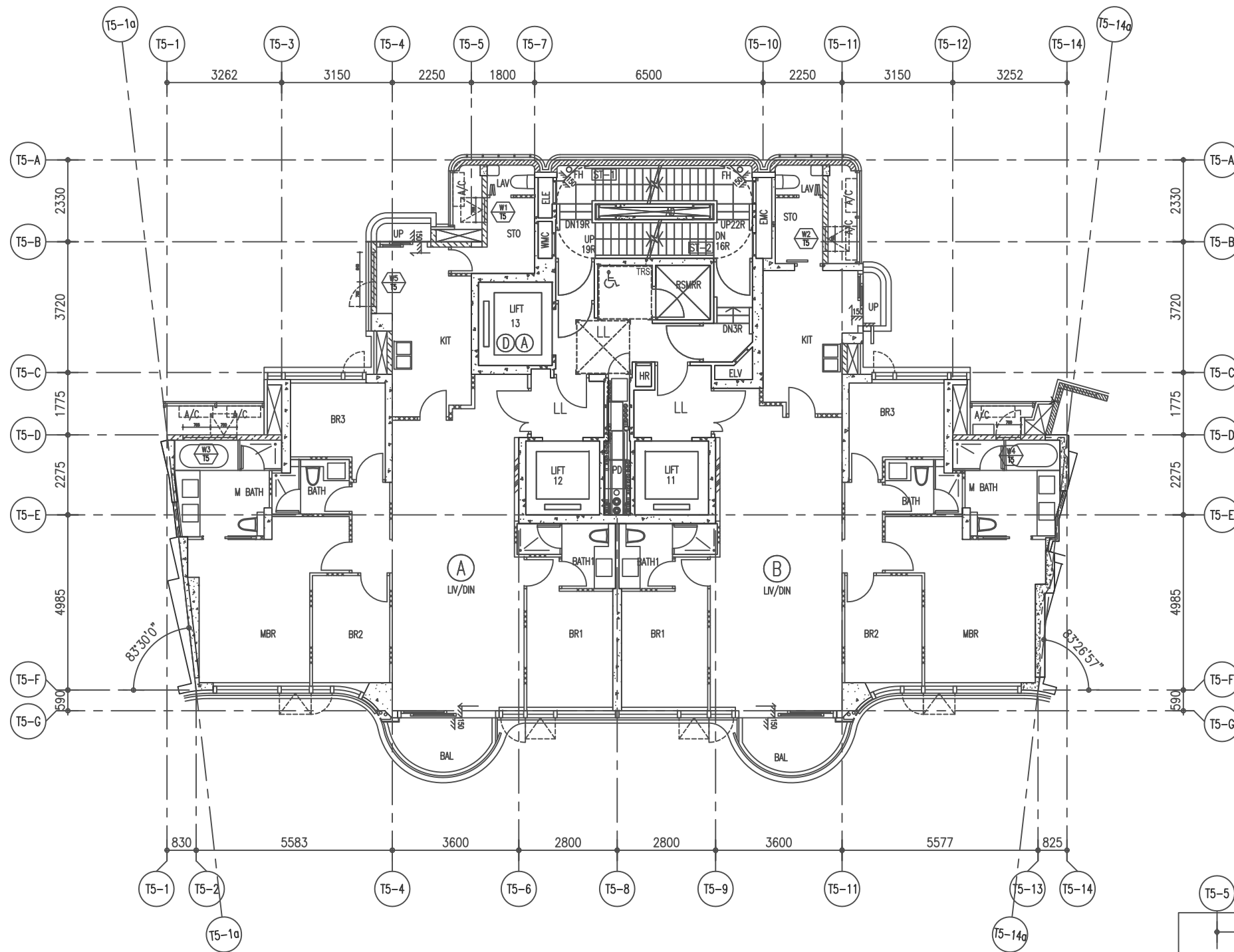
TITLE : 28/F WINDOW LOCATION PLAN FOR PRECAST FACADE AT TOWER 3

DATE : 17-Nov-21 SCALE : 1:60 (A3)

DRAWN BY : LHR CHECKED BY :

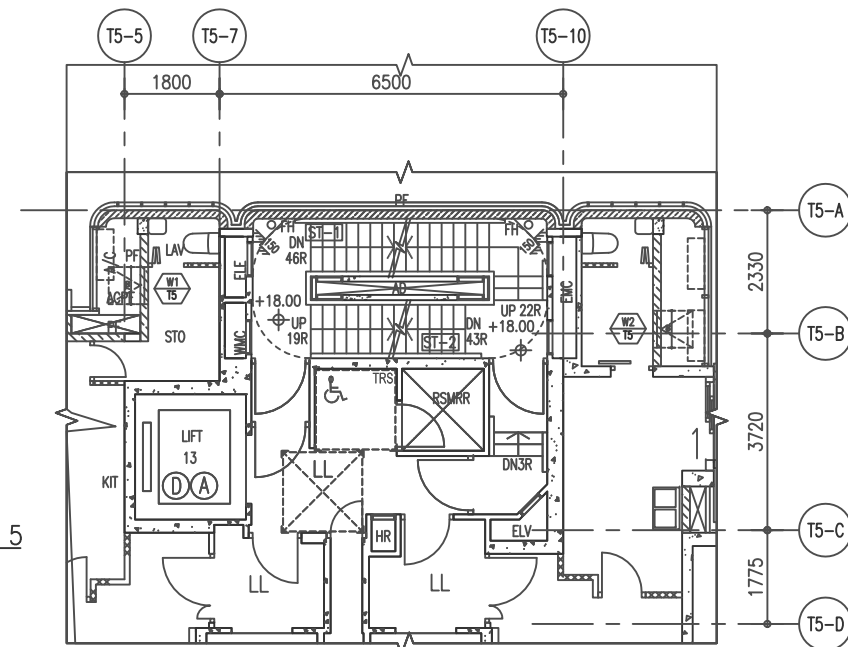
**美特鋁質有限公司**  
**MIDI ALUMINIUM FABRICATOR LTD.**  
 Units 6-8, Sunray Industrial Centre, 1/F  
 610 Cha Kwo Ling Road, Kowloon  
 Tel:23489211-4 Fax:(852)2727666

DWG NO. : J859-SD-PL-303 REV. : -



2/F TO 26/F WINDOW LOCATION PLAN FOR PRECAST FACADE  
AT TOWER 5 (21 STOREYS, 4/F,13/F,14/F,24/F OMITTED)

2/F PART PLAN OF TOWER 5



B.D. REF :

ARCHITECT :



STRUCTURAL ENGINEER :



SUN HUNG KAI CENTRE, WANCHAI, HONGKONG  
TEL. 28278111 FAX. 28272884

FACADE CONSULTANT:



MAIN CONTRACTOR :

**Sanfield Engineering  
Construction Ltd.**

CLIENT :



NOTE :

1. ALL DIMENSIONS ARE IN mm.
2. ALL ELEVATIONS ARE VIEWED FROM OUTSIDE.
3. ALL DIMENSIONS TO BE VERIFIED ON SITE BEFORE FABRICATION.

LEGEND :

- x1 — DETAIL MARK NO.
- x001 — REFER SHEET NO.

1. F.F.L. — FINISHED FLOOR LEVEL
2. S.F.L. — STRUCTURAL FLOOR LEVEL
3. (R) — REVERSED DETAIL
4. GLASS LEGEND
- G1 — 8mmHS+12mm AIR GAP+10mmTP THK. I.G.U.
- G2 — 8mmHS+12mm AIR GAP+8mmTP THK. I.G.U.
- G8 — 6mm CRYSTAL GREY TP+1.52PVB+6mm CLEAR TP

NO.	DATE	REVISED	BY

JOB NO. : J-859

PROJECT : PROPOSED RESIDENTIAL / COMMERCIAL DEVELOPMENT AT NKIL NO.6551 KAI TAK AREA 4C, SITE 3 KAI TAK, KOWLOON

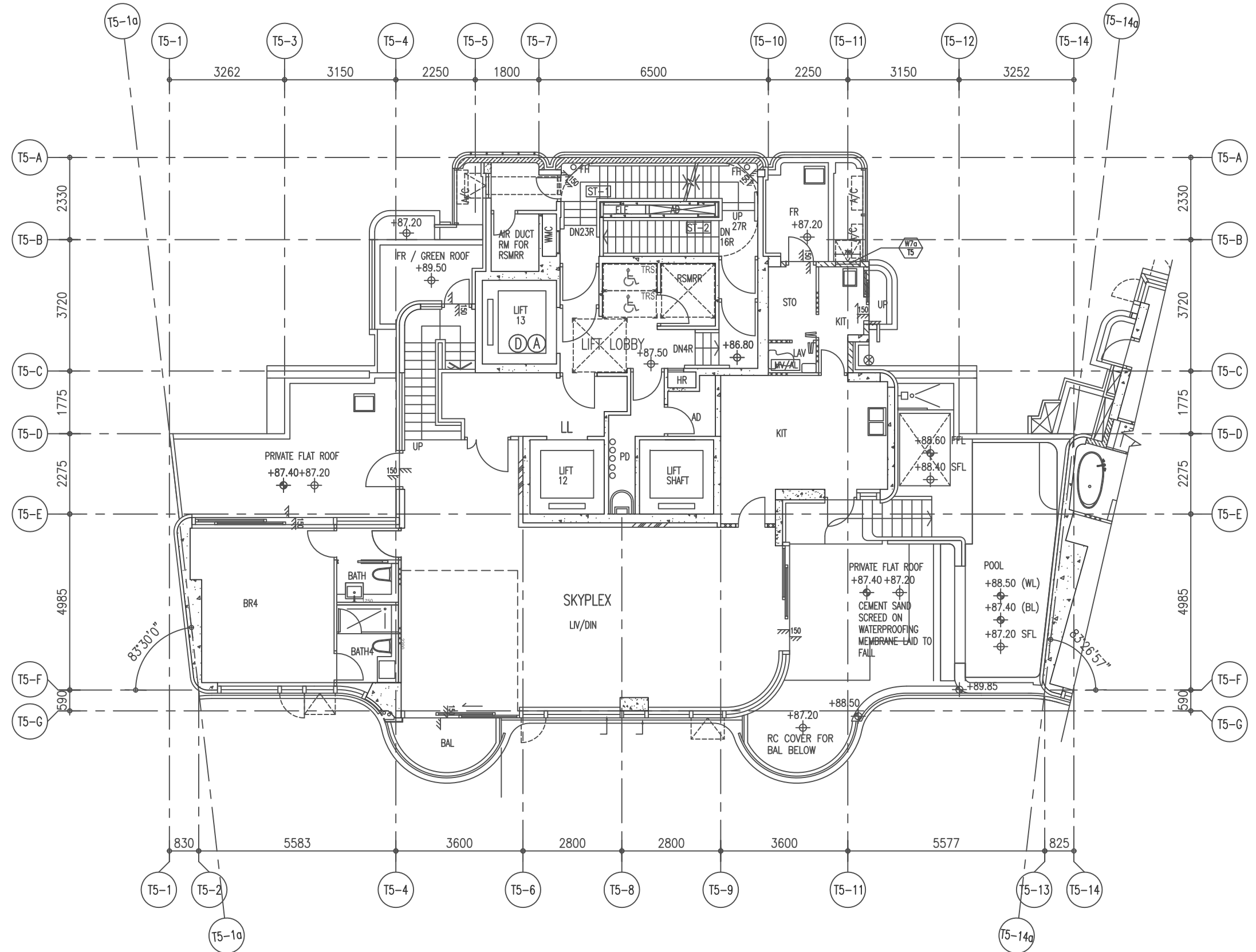
TITLE : 2~26/F WINDOW LOCATION PLAN FOR PRECAST FACADE AT TOWER 5

DATE : 17-Nov-21 SCALE : 1:70 (A3)

DRAWN BY : LHR CHECKED BY :


**美特鋁質有限公司**  
MIDI ALUMINIUM FABRICATOR LTD.  
Units 6-8, Sunray Industrial Centre, 1/F  
610 Cha Kwo Ling Road, Kowloon  
Tel:23489211-4 Fax:(852)2727666


DWG NO. : J859-SD-PL-501 REV. : -




27/F WINDOW LOCATION PLAN  
FOR PRECAST FACADE AT TOWER 5


B.D. REF :

ARCHITECT :  
 **WONG TUNG & PARTNERS LIMITED**  
 ARCHITECTS & PLANNERS

STRUCTURAL ENGINEER :  
 **SUN HUNG KAI**  
 ARCHITECTS AND ENGINEERS LTD.  
 SUN HUNG KAI CENTRE, WANCHAI, HONGKONG  
 TEL: 28278111 FAX: 28272884

FACADE CONSULTANT:  
 **ALPHA CONSULTING LIMITED**  
 Steel Structure & Facade Specialist

MAIN CONTRACTOR :  
**Sanfield Engineering Construction Ltd.**

CLIENT :  
 **SUN HUNG KAI**  
 REAL ESTATE AGENCY LTD.  
 42/F SUN HUNG KAI CENTRE, WANCHAI, HONGKONG

NOTE :  
 1. ALL DIMENSIONS ARE IN mm.  
 2. ALL ELEVATIONS ARE VIEWED FROM OUTSIDE.  
 3. ALL DIMENSIONS TO BE VERIFIED ON SITE BEFORE FABRICATION.

LEGEND :  
 (x1) --- DETAIL MARK NO.  
 (x001) --- REFER SHEET NO.

1. F.F.L. --- FINISHED FLOOR LEVEL  
 2. S.F.L. --- STRUCTURAL FLOOR LEVEL  
 3. (R) --- REVERSED DETAIL  
 4. GLASS LEGEND  
 G1 --- 8mmHS+12mm AIR GAP+10mmTP THK. I.G.U.  
 G2 --- 8mmHS+12mm AIR GAP+8mmTP THK. I.G.U.  
 G8 --- 6mm CRYSTAL GREY TP+1.52PVB+6mm CLEAR TP

NO.	DATE	REVISED	BY


JOB NO. : J-859

PROJECT :  
 PROPOSED RESIDENTIAL / COMMERCIAL DEVELOPMENT AT NKIL NO.6551 KAI TAK AREA 4C, SITE 3 KAI TAK, KOWLOON

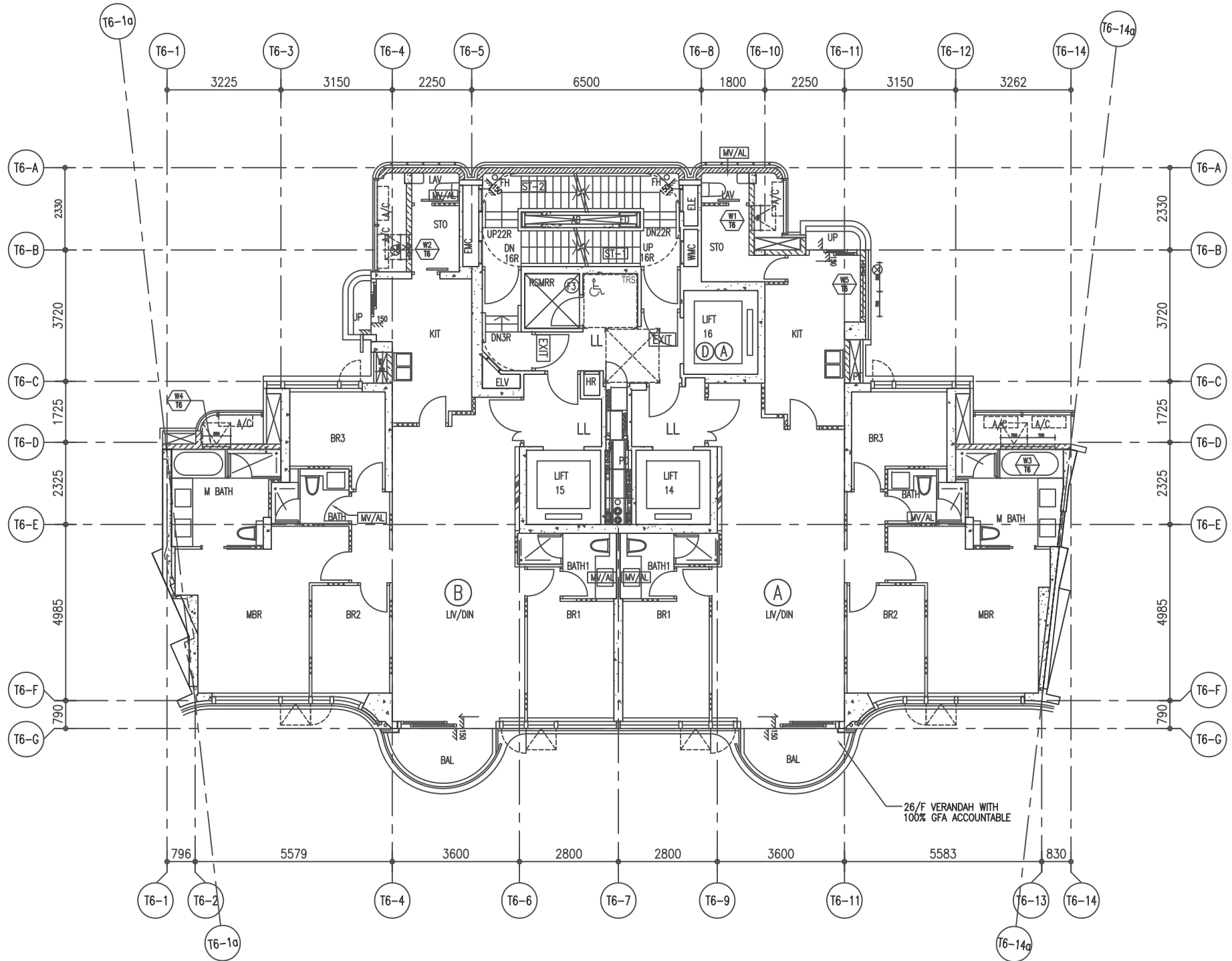
TITLE :  
 27/F WINDOW LOCATION PLAN FOR PRECAST FACADE AT TOWER 5

DATE : 17-Nov-21 SCALE : 1:60 (A3)

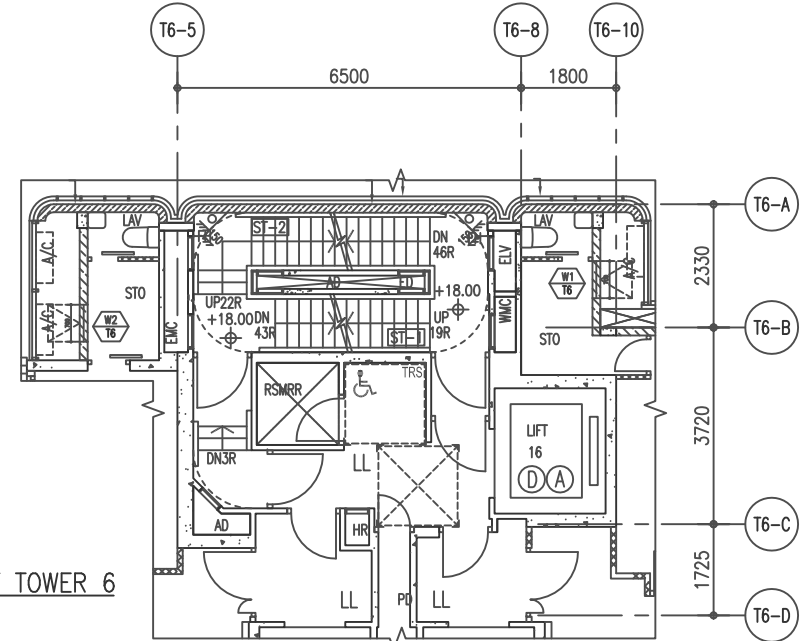
DRAWN BY : LHR CHECKED BY :

 **美特鋁質有限公司**  
 ALUMINIUM FABRICATOR LTD.  
 Units 6-8, Sunray Industrial Centre, 1/F  
 610 Cha Kwo Ling Road, Kowloon  
 Tel:23489211-4 Fax:(852)2727666

DWG NO. : J859-SD-PL-502 REV. : -





2/F TO 26/F WINDOW LOCATION PLAN FOR PRECAST FACADE  
AT TOWER 6 (21 STOREYS, 4/F,13/F,14/F,24/F OMITTED)




2/F PART PLAN OF TOWER 6


B.D. REF :

ARCHITECT :  
 **WONG TUNG & PARTNERS LIMITED**  
 ARCHITECTS & PLANNERS

STRUCTURAL ENGINEER :  
 **SUN HUNG KAI**  
 ARCHITECTS AND ENGINEERS LTD.  
 SUN HUNG KAI CENTRE, WANCHAI, HONGKONG  
 TEL. 28278111 FAX. 28272884

FACADE CONSULTANT:  
 **ALPHA CONSULTING LIMITED**  
 Steel Structure & Facade Specialist

MAIN CONTRACTOR :  
**Sanfield Engineering Construction Ltd.**


CLIENT :  
 **SUN HUNG KAI**  
 REAL ESTATE AGENCY LTD.  
 42/F SUN HUNG KAI CENTRE, WANCHAI, HONGKONG

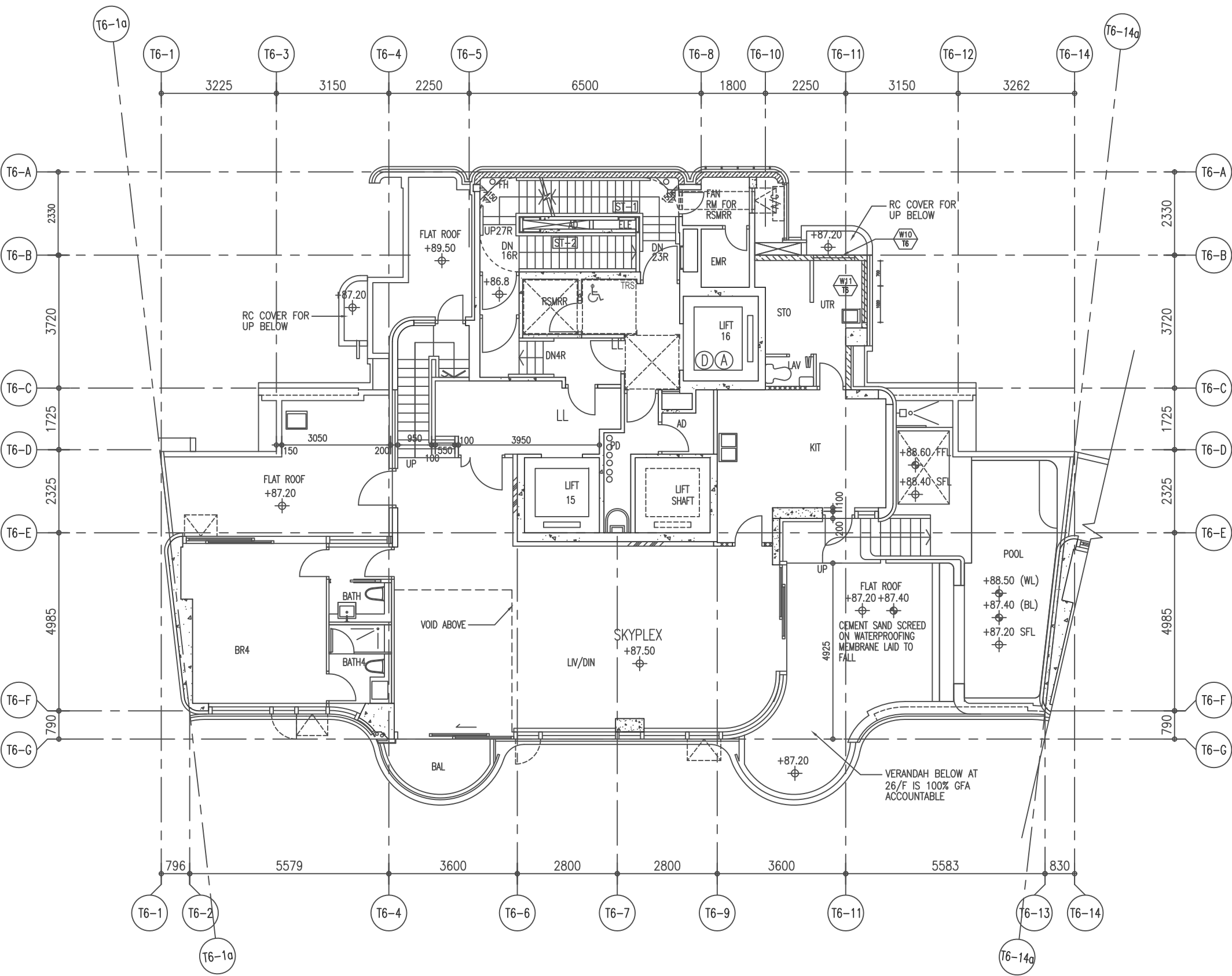
NOTE :  
 1. ALL DIMENSIONS ARE IN mm.  
 2. ALL ELEVATIONS ARE VIEWED FROM OUTSIDE.  
 3. ALL DIMENSIONS TO BE VERIFIED ON SITE BEFORE FABRICATION.

LEGEND :  
 (x1) --- DETAIL MARK NO.  
 (x001) --- REFER SHEET NO.

1. F.F.L. --- FINISHED FLOOR LEVEL  
 2. S.F.L. --- STRUCTURAL FLOOR LEVEL  
 3. (R) --- REVERSED DETAIL  
 4. GLASS LEGEND  
 G1 --- 8mmHS+12mm AIR GAP+10mmTP THK. I.G.U.  
 G2 --- 8mmHS+12mm AIR GAP+8mmTP THK. I.G.U.  
 G8 --- 6mm CRYSTAL GREY TP+1.52PVB+6mm CLEAR TP


NO.	DATE	REVISED	BY


JOB NO. : J-859  
 PROJECT : PROPOSED RESIDENTIAL / COMMERCIAL DEVELOPMENT AT NKIL NO.6551 KAI TAK AREA 4C, SITE 3 KAI TAK, KOWLOON  
 TITLE : 2~26/F WINDOW LOCATION PLAN FOR PRECAST FACADE AT TOWER 6  
 DATE : 17-Nov-21 SCALE : 1:70 (A3)  
 DRAWN BY : LHR CHECKED BY :  
 **美特鋁質有限公司**  
**MIDI ALUMINIUM FABRICATOR LTD.**  
 Units 6-8, Sunray Industrial Centre, 1/F  
 610 Cha Kwo Ling Road, Kowloon  
 Tel:23489211-4 Fax:(852)2727666  
 DWG NO. : J859-SD-PL-601 REV. : -




27/F WINDOW LOCATION PLAN  
FOR PRECAST FACADE AT TOWER 6


B.D. REF :

ARCHITECT :  
 **WONG TUNG & PARTNERS LIMITED**  
 ARCHITECTS & PLANNERS

STRUCTURAL ENGINEER :  
 **SUN HUNG KAI**  
 ARCHITECTS AND ENGINEERS LTD.  
 SUN HUNG KAI CENTRE, WANCHAI, HONGKONG  
 TEL. 28278111 FAX. 28272884

FACADE CONSULTANT:  
 **ALPHA CONSULTING LIMITED**  
 Steel Structure & Facade Specialist

MAIN CONTRACTOR :  
**Sanfield Engineering Construction Ltd.**

CLIENT :  
 **SUN HUNG KAI**  
 REAL ESTATE AGENCY LTD.  
 42/F SUN HUNG KAI CENTRE, WANCHAI, HONGKONG

NOTE :  
 1. ALL DIMENSIONS ARE IN mm.  
 2. ALL ELEVATIONS ARE VIEWED FROM OUTSIDE.  
 3. ALL DIMENSIONS TO BE VERIFIED ON SITE BEFORE FABRICATION.

LEGEND :  
 (x1) — DETAIL MARK NO.  
 (x001) — REFER SHEET NO.

1. F.F.L. — FINISHED FLOOR LEVEL  
 2. S.F.L. — STRUCTURAL FLOOR LEVEL  
 3. (R) — REVERSED DETAIL  
 4. GLASS LEGEND  
 G1 — 8mmHS+12mm AIR GAP+8mmTP THK. I.G.U.  
 G2 — 8mmHS+12mm AIR GAP+8mmTP THK. I.G.U.  
 G8 — 6mm CRYSTAL GREY TP+1.52PVB+6mm CLEAR TP

NO.	DATE	REVISED	BY


JOB NO. : J-859

PROJECT :  
 PROPOSED RESIDENTIAL / COMMERCIAL  
 DEVELOPMENT AT NKIL NO.6551 KAI  
 TAK AREA 4C, SITE 3  
 KAI TAK, KOWLOON

TITLE :  
 27/F WINDOW LOCATION PLAN  
 FOR PRECAST FACADE  
 AT TOWER 6

DATE : 17-Nov-21 SCALE : 1:60 (A3)

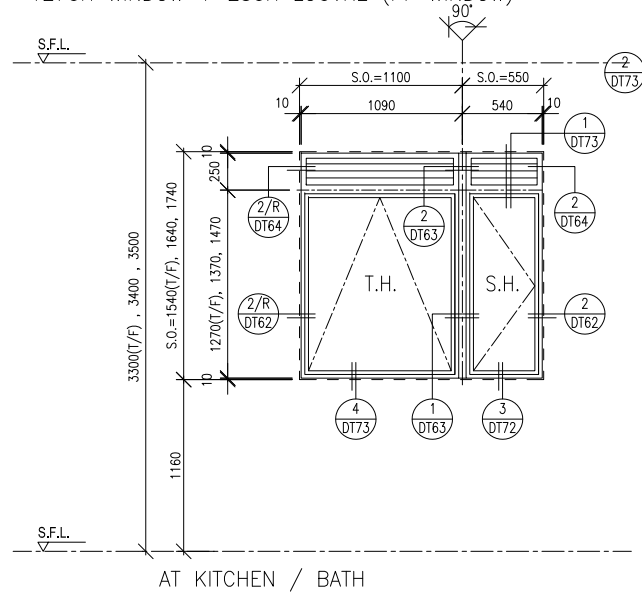
DRAWN BY : LHR CHECKED BY :

 **美特鋁質有限公司**  
**MIDI ALUMINIUM FABRICATOR LTD.**  
 Units 6-8, Sunray Industrial Centre, 1/F  
 610 Cha Kwo Ling Road, Kowloon  
 Tel:23489211-4 Fax:(852)2727666

DWG NO. : J859-SD-PL-602 REV. : -

FREE AREA(%)	S.O.	OPENABLE AREA	GLAZING AREA
58.1%	1540	1.56	1.35
	S.O.	OPENABLE AREA	GLAZING AREA
	1640	1.70	1.47
	S.O.	OPENABLE AREA	GLAZING AREA
	1740	1.83	1.59

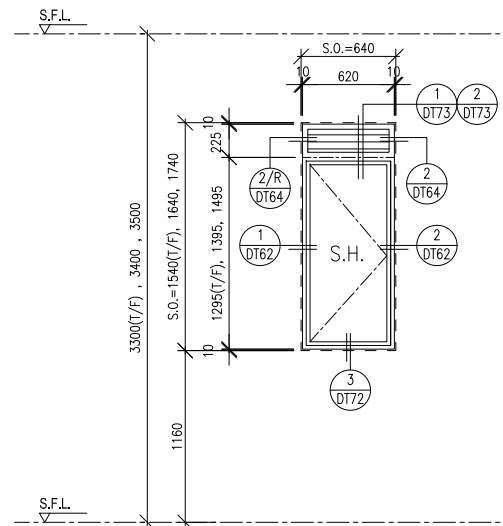
TYPE 1 - 1270H WINDOW + 250H LOUVRE (PF WINDOW)



AT KITCHEN / BATH

FREE AREA(%)	S.O.	OPENABLE AREA	GLAZING AREA
58.1%	1540	0.54	0.64
	S.O.	OPENABLE AREA	GLAZING AREA
	1640	0.59	0.69
	S.O.	OPENABLE AREA	GLAZING AREA
	1740	0.63	0.75

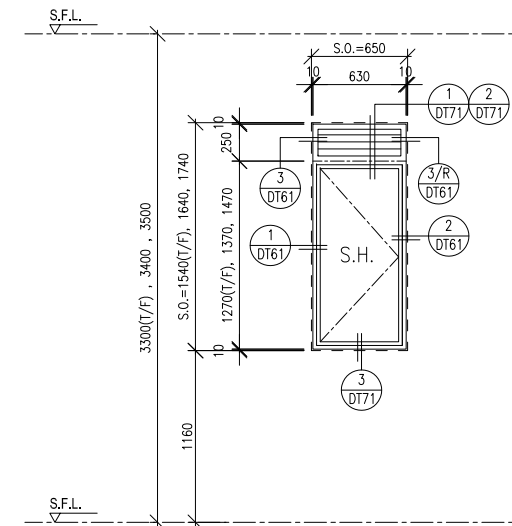
TYPE A - (PF WINDOW)



AT KITCHEN / BATH

FREE AREA(%)	S.O.	OPENABLE AREA	GLAZING AREA
50%	1540	0.64	0.54
	S.O.	OPENABLE AREA	GLAZING AREA
	1640	0.69	0.59
	S.O.	OPENABLE AREA	GLAZING AREA
	1740	0.75	0.64

TYPE A - (PF WINDOW)



AT KITCHEN / BATH

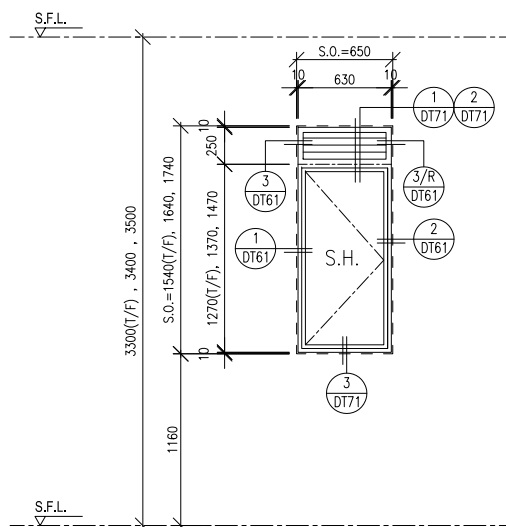
WINDOW MARK	21 nos.
LOCATION	FLAT A KIT AT 2/F TO 26/F FLOOR (T3) (4,13,14,24/F OMITTED)
GLAZING	G2
WINDOW FRAME	70mm ALUM. WINDOW SECTION

WINDOW MARK	21 nos.
LOCATION	FLAT A KIT AT 2/F TO 26/F FLOOR (T3) (4,13,14,24/F OMITTED)
GLAZING	G2
WINDOW FRAME	70mm ALUM. WINDOW SECTION

WINDOW MARK	23 nos.
LOCATION	EMR AT 2/F TO 28/F FLOOR (T3) (4,13,14,24/F OMITTED)
GLAZING	G8
WINDOW FRAME	50mm ALUM. WINDOW SECTION

FREE AREA(%)	S.O.	OPENABLE AREA	GLAZING AREA
50%	1540	0.64	0.54
	S.O.	OPENABLE AREA	GLAZING AREA
	1640	0.69	0.59
	S.O.	OPENABLE AREA	GLAZING AREA
	1740	0.75	0.64

TYPE A - (PF WINDOW)



WINDOW MARK	23 nos.
LOCATION	ST-2 AT 2/F TO 28/F FLOOR (T3) (4,13,14,24/F OMITTED)
GLAZING	G8
WINDOW FRAME	50mm ALUM. WINDOW SECTION

WINDOW MARK	
LOCATION	
GLAZING	
WINDOW FRAME	

WINDOW MARK	
LOCATION	
GLAZING	
WINDOW FRAME	

B.D. REF :

ARCHITECT :  
**WT WONG TUNG & PARTNERS LIMITED**  
ARCHITECTS & PLANNERS

STRUCTURAL ENGINEER :  
**SUN HUNG KAI**  
ARCHITECTS AND ENGINEERS LTD.  
SUN HUNG KAI CENTRE, WANCHAI, HONGKONG  
TEL: 28278111 FAX: 28272884

FAÇADE CONSULTANT:  
**ALPHA CONSULTING LIMITED**  
Steel Structure & Façade Specialist

MAIN CONTRACTOR :  
**Sanfield Engineering Construction Ltd.**

CLIENT :  
**SUN HUNG KAI**  
REAL ESTATE AGENCY LTD.  
42/F SUN HUNG KAI CENTRE, WANCHAI, HONGKONG

NOTE :

- ALL DIMENSIONS ARE IN mm.
- ALL ELEVATIONS ARE VIEWED FROM OUTSIDE.
- ALL DIMENSIONS TO BE VERIFIED ON SITE BEFORE FABRICATION.

LEGEND :

- DETAIL MARK NO.  
 - REFER SHEET NO.

- F.F.L. -- FINISHED FLOOR LEVEL
- S.F.L. -- STRUCTURAL FLOOR LEVEL
- REVERSED DETAIL
- GLASS LEGEND

G1 -- 8mmHS+12mm AIR GAP+10mmTP THK. I.G.U.  
G2 -- 8mmHS+12mm AIR GAP+8mmTP THK. I.G.U.  
G8 -- 6mm CRYSTAL GREY TP+1.52PVB+6mm CLEAR TP

NO.	DATE	REVISED	BY

JOB NO. : J-859

PROJECT : PROPOSED RESIDENTIAL / COMMERCIAL DEVELOPMENT AT NKIL NO.6551 KAI TAK AREA 4C, SITE 3 KAI TAK, KOWLOON

TITLE : WINDOW SCHEDULE FOR PRECAST FAÇADE AT TOWER 3

DATE : 17-Nov-21 SCALE : 1:50 (A3)

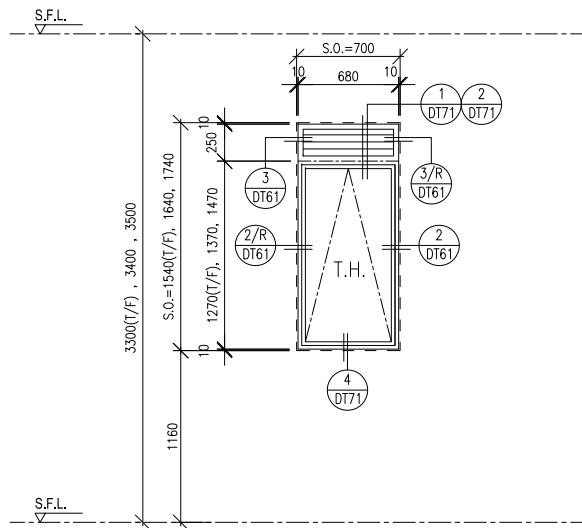
DRAWN BY : LHR CHECKED BY :

**美特鋁質有限公司**  
MIDI ALUMINIUM FABRICATOR LTD.  
Units 6-8, Sunray Industrial Centre, 1/F  
610 Cha Kwo Ling Road, Kowloon  
Tel:23489211-4 Fax:(852)2727666

DWG NO. : J859-SD-PW-3101 REV. : -

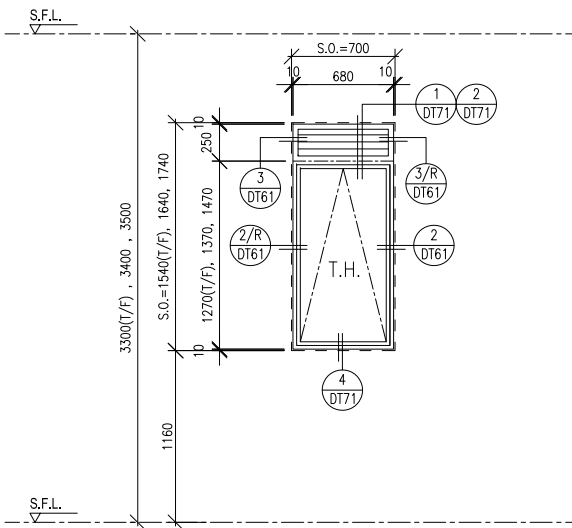
FREE AREA(%)	S.O.	OPENABLE AREA	GLAZING AREA
50%	1540	0.70	0.60
	S.O.	OPENABLE AREA	GLAZING AREA
	1640	0.76	0.65
	S.O.	OPENABLE AREA	GLAZING AREA
	1740	0.82	0.70

TYPE 1 - 1270H WINDOW + 250H LOUVRE (PF WINDOW)



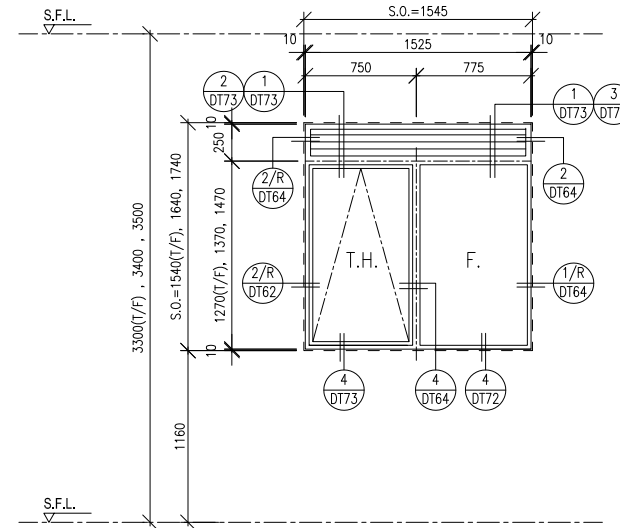
FREE AREA(%)	S.O.	OPENABLE AREA	GLAZING AREA
50%	1540	0.70	0.60
	S.O.	OPENABLE AREA	GLAZING AREA
	1640	0.76	0.65
	S.O.	OPENABLE AREA	GLAZING AREA
	1740	0.82	0.70

TYPE 1 - 1270H WINDOW + 250H LOUVRE (PF WINDOW)



FREE AREA(%)	S.O.	OPENABLE AREA	GLAZING AREA
58.1%	1540	0.79	1.42
	S.O.	OPENABLE AREA	GLAZING AREA
	1640	0.85	1.55
	S.O.	OPENABLE AREA	GLAZING AREA
	1740	0.92	1.68

TYPE 3 - 1270H FIXED WINDOW + OPENABLE WINDOW (PF WINDOW)



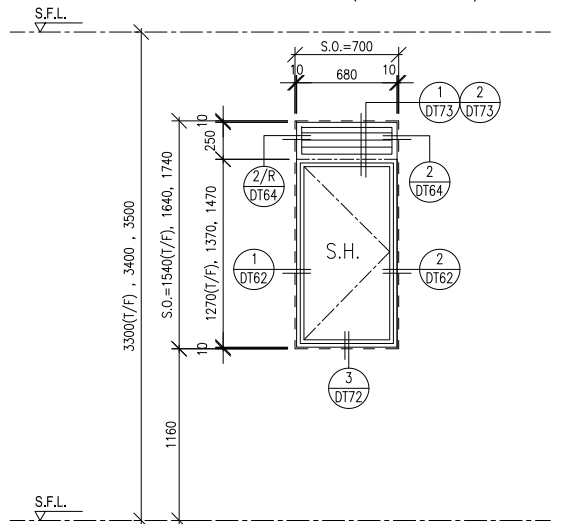
WINDOW MARK	<b>W1</b> T5 21 nos.
LOCATION	FLAT A STO AT 2/F TO 26/F FLOOR (T5) (4,13,14,24/F OMITTED)
GLAZING	G8
WINDOW FRAME	50mm ALUM. WINDOW SECTION

WINDOW MARK	<b>W2</b> T5 21 nos.
LOCATION	FLAT B STO AT 2/F TO 26/F FLOOR (T5) (4,13,14,24/F OMITTED)
GLAZING	G8
WINDOW FRAME	50mm ALUM. WINDOW SECTION

WINDOW MARK	<b>W3</b> T5 21 nos.
LOCATION	FLAT A M.BATH AT 2/F TO 26/F FLOOR (T5) (4,13,14,24/F OMITTED)
GLAZING	G1, G2
WINDOW FRAME	70mm ALUM. WINDOW SECTION

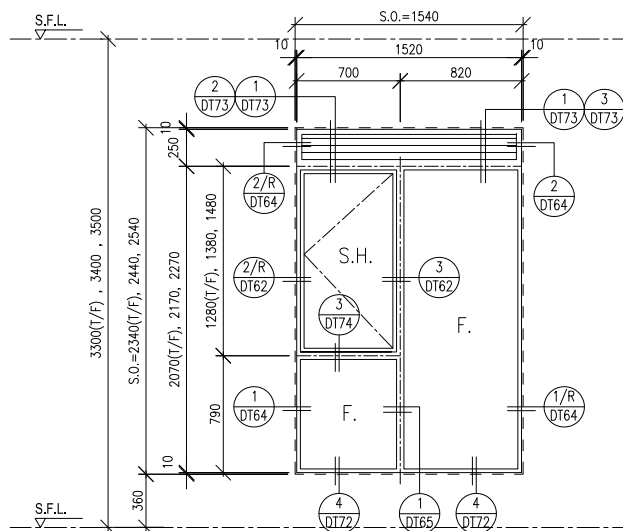
FREE AREA(%)	S.O.	OPENABLE AREA	GLAZING AREA
58.1%	1540	0.60	0.70
	S.O.	OPENABLE AREA	GLAZING AREA
	1640	0.65	0.76
	S.O.	OPENABLE AREA	GLAZING AREA
	1740	0.70	0.82

TYPE 1 - 1270H WINDOW + 250H LOUVRE (PF WINDOW)



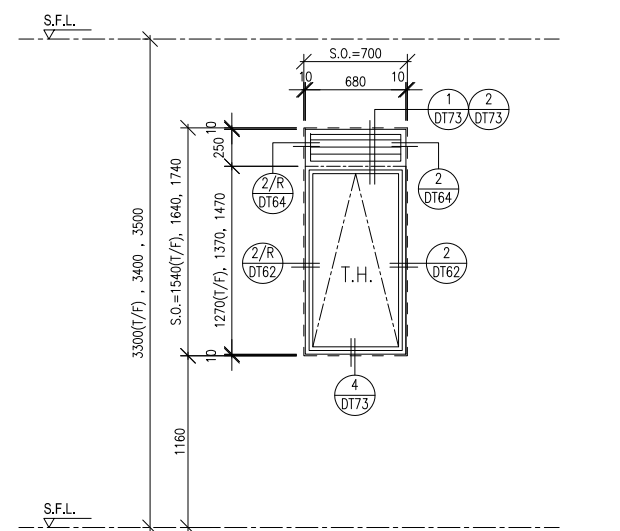
FREE AREA(%)	S.O.	OPENABLE AREA	GLAZING AREA
58.1%	2340	1.29	1.43
	S.O.	OPENABLE AREA	GLAZING AREA
	2440	1.35	1.56
	S.O.	OPENABLE AREA	GLAZING AREA
	2540	1.41	1.68

TYPE 2 - T5, T6 BREAKFAST AREA IN KIT (PF WINDOW)



FREE AREA(%)	S.O.	OPENABLE AREA	GLAZING AREA
58.1%	1540	0.60	0.70
	S.O.	OPENABLE AREA	GLAZING AREA
	1640	0.65	0.76
	S.O.	OPENABLE AREA	GLAZING AREA
	1740	0.70	0.82

TYPE 1 - 1270H WINDOW + 250H LOUVRE (PF WINDOW)



WINDOW MARK	<b>W4</b> T5 21 nos.
LOCATION	FLAT B M.BATH AT 2/F TO 26/F FLOOR (T5) (4,13,14,24/F OMITTED)
GLAZING	G2
WINDOW FRAME	70mm ALUM. WINDOW SECTION

WINDOW MARK	<b>W5</b> T5 21 nos.
LOCATION	FLAT A KIT AT 2/F TO 26/F FLOOR (T5) (4,13,14,24/F OMITTED)
GLAZING	G1, G2
WINDOW FRAME	70mm ALUM. WINDOW SECTION

WINDOW MARK	<b>W7a</b> T5
LOCATION	KIT AT 27/F FLOOR
GLAZING	G2
WINDOW FRAME	70mm ALUM. WINDOW SECTION

B.D. REF :

ARCHITECT :  
**WT WONG TUNG & PARTNERS LIMITED**  
ARCHITECTS & PLANNERS

STRUCTURAL ENGINEER :  
**SUN HUNG KAI**  
ARCHITECTS AND ENGINEERS LTD.  
SUN HUNG KAI CENTRE, WANCHAI, HONGKONG  
TEL. 28278111 FAX. 28272884

FACADE CONSULTANT:  
**ALPHA CONSULTING LIMITED**  
Steel Structure & Facade Specialist

MAIN CONTRACTOR :  
**Sanfield Engineering Construction Ltd.**

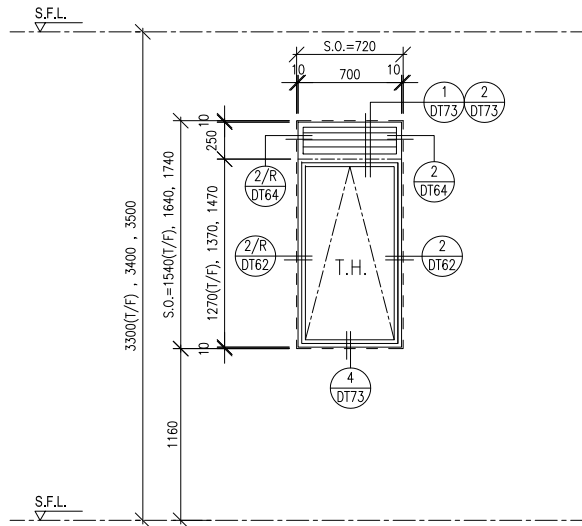
CLIENT :  
**SUN HUNG KAI**  
REAL ESTATE AGENCY LTD.  
42/F SUN HUNG KAI CENTRE, WANCHAI, HONGKONG

- NOTE :
- ALL DIMENSIONS ARE IN mm.
  - ALL ELEVATIONS ARE VIEWED FROM OUTSIDE.
  - ALL DIMENSIONS TO BE VERIFIED ON SITE BEFORE FABRICATION.
- LEGEND :
- x1** --- DETAIL MARK NO.
  - x001** --- REFER SHEET NO.
- F.F.L. --- FINISHED FLOOR LEVEL
  - S.F.L. --- STRUCTURAL FLOOR LEVEL
  - (R)** --- REVERSED DETAIL
  - GLASS LEGEND
- G1--8mmHS+12mm AIR GAP+10mmTP THK. I.G.U.  
G2--8mmHS+12mm AIR GAP+8mmTP THK. I.G.U.  
G8--6mm CRYSTAL GREY TP+1.52PVB+6mm CLEAR TP

NO.	DATE	REVISED	BY
JOB NO. : J-859			
PROJECT : PROPOSED RESIDENTIAL / COMMERCIAL DEVELOPMENT AT NKIL NO.6551 KAI TAK AREA 4C, SITE 3 KAI TAK, KOWLOON			
TITLE : WINDOW SCHEDULE FOR PRECAST FACADE AT TOWER 5			
DATE : 18-Nov-21	SCALE : 1:50 (A3)		
DRAWN BY : LHR	CHECKED BY :		
<b>MIDI ALUMINIUM FABRICATOR LTD.</b> Units 6-8, Sunray Industrial Centre, 1/F 610 Cha Kwo Ling Road, Kowloon Tel:23489211-4 Fax:(852)2727666			
DWG NO. : J859-SD-PW-5101	REV. : -		

FREE AREA(%)	S.O.	OPENABLE AREA	GLAZING AREA
58.1%	1540	0.62	0.72
	S.O.	OPENABLE AREA	GLAZING AREA
	1640	0.67	0.78
	S.O.	OPENABLE AREA	GLAZING AREA
	1740	0.73	0.84

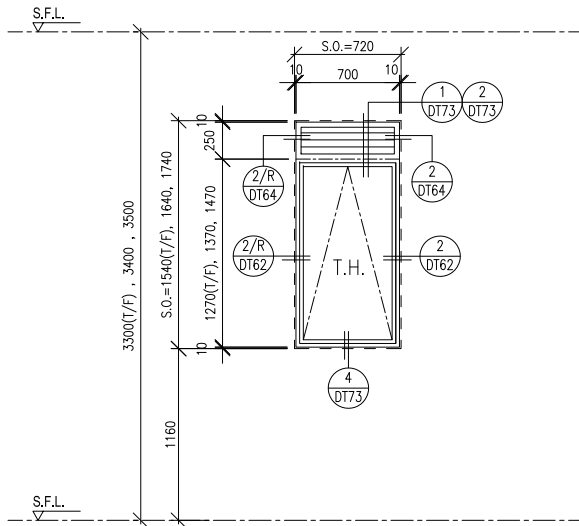
TYPE 1 - 1270H WINDOW + 250H LOUVRE (PF WINDOW)



WINDOW MARK	21 nos.
LOCATION	FLAT A STO AT 2/F TO 26/F FLOOR (T6) (4,13,14,24/F OMITTED)
GLAZING	G2
WINDOW FRAME	70mm ALUM. WINDOW SECTION

FREE AREA(%)	S.O.	OPENABLE AREA	GLAZING AREA
58.1%	1540	0.62	0.72
	S.O.	OPENABLE AREA	GLAZING AREA
	1640	0.67	0.78
	S.O.	OPENABLE AREA	GLAZING AREA
	1740	0.73	0.84

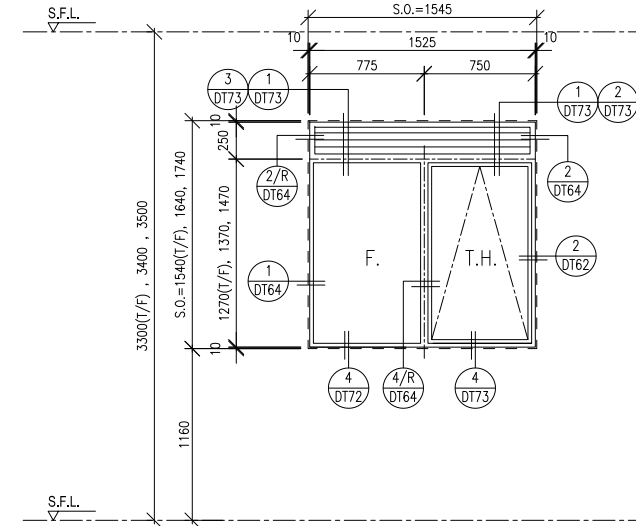
TYPE 1 - 1270H WINDOW + 250H LOUVRE (PF WINDOW)



WINDOW MARK	21 nos.
LOCATION	FLAT B STO AT 2/F TO 26/F FLOOR (T6) (4,13,14,24/F OMITTED)
GLAZING	G2
WINDOW FRAME	70mm ALUM. WINDOW SECTION

FREE AREA(%)	S.O.	OPENABLE AREA	GLAZING AREA
58.1%	1540	0.79	1.42
	S.O.	OPENABLE AREA	GLAZING AREA
	1640	0.85	1.55
	S.O.	OPENABLE AREA	GLAZING AREA
	1740	0.92	1.61

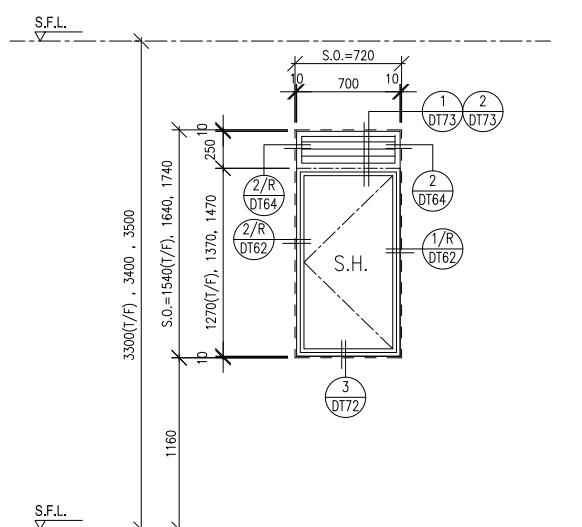
TYPE 3 - 1270H FIXED WINDOW + OPENABLE WINDOW(PF WINDOW)



WINDOW MARK	21 nos.
LOCATION	FLAT A M.BATH AT 2/F TO 26/F FLOOR (T6) (4,13,14,24/F OMITTED)
GLAZING	G1, G2
WINDOW FRAME	70mm ALUM. WINDOW SECTION

FREE AREA(%)	S.O.	OPENABLE AREA	GLAZING AREA
58.1%	1540	0.62	0.72
	S.O.	OPENABLE AREA	GLAZING AREA
	1640	0.67	0.78
	S.O.	OPENABLE AREA	GLAZING AREA
	1740	0.73	0.84

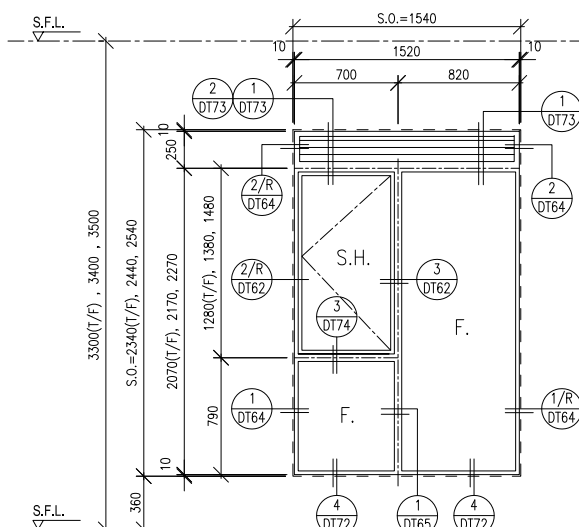
TYPE 1 - 1270H WINDOW + 250H LOUVRE (PF WINDOW)



WINDOW MARK	21 nos.
LOCATION	FLAT B M.BATH AT 2/F TO 26/F FLOOR (T6) (4,13,14,24/F OMITTED)
GLAZING	G2
WINDOW FRAME	70mm ALUM. WINDOW SECTION

FREE AREA(%)	S.O.	OPENABLE AREA	GLAZING AREA
58.1%	2340	1.29	1.43
	S.O.	OPENABLE AREA	GLAZING AREA
	2440	1.35	1.56
	S.O.	OPENABLE AREA	GLAZING AREA
	2540	1.41	1.68

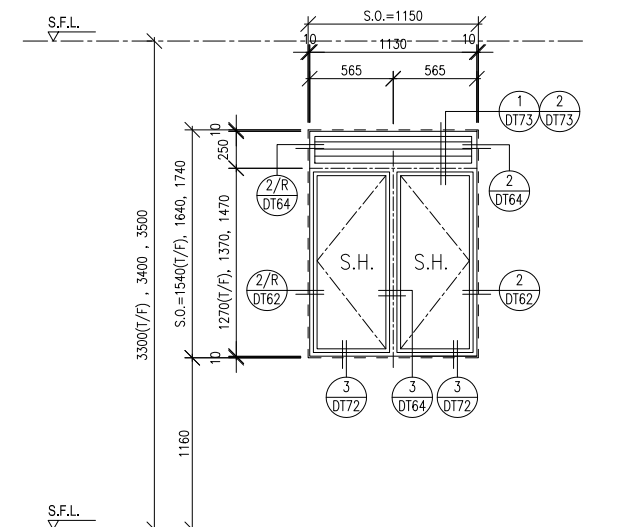
TYPE 2 - T5, T6 BREAKFAST AREA IN KIT (PF WINDOW)



WINDOW MARK	21 nos.
LOCATION	FLAT A KIT AT 2/F TO 26/F FLOOR (T6) (4,13,14,24/F OMITTED)
GLAZING	G1, G2
WINDOW FRAME	70mm ALUM. WINDOW SECTION

FREE AREA(%)	S.O.	OPENABLE AREA	GLAZING AREA
58.1%	1540	1.14	0.94
	S.O.	OPENABLE AREA	GLAZING AREA
	1640	1.23	1.03
	S.O.	OPENABLE AREA	GLAZING AREA
	1740	1.33	1.11

TYPE 3 - 1270H FIXED WINDOW + OPENABLE WINDOW(PF WINDOW)



WINDOW MARK	21 nos.
LOCATION	KIT AT 27/F FLOOR
GLAZING	G2
WINDOW FRAME	70mm ALUM. WINDOW SECTION

B.D. REF :

ARCHITECT :  
**WT WONG TUNG & PARTNERS LIMITED**  
ARCHITECTS & PLANNERS

STRUCTURAL ENGINEER :  
**SUN HUNG KAI**  
ARCHITECTS AND ENGINEERS LTD.  
SUN HUNG KAI CENTRE, WANCHAI, HONGKONG  
TEL. 28278111 FAX. 28272884

FACADE CONSULTANT:  
**ALPHA CONSULTING LIMITED**  
Steel Structure & Facade Specialist

MAIN CONTRACTOR :  
**Sanfield Engineering Construction Ltd.**

CLIENT :  
**SUN HUNG KAI**  
REAL ESTATE AGENCY LTD.  
42/F SUN HUNG KAI CENTRE, WANCHAI, HONGKONG

NOTE :

- ALL DIMENSIONS ARE IN mm.
- ALL ELEVATIONS ARE VIEWED FROM OUTSIDE.
- ALL DIMENSIONS TO BE VERIFIED ON SITE BEFORE FABRICATION.

LEGEND :

(X1) --- DETAIL MARK NO.  
(X001) --- REFER SHEET NO.

- F.F.L. --- FINISHED FLOOR LEVEL
- S.F.L. --- STRUCTURAL FLOOR LEVEL
- (R) --- REVERSED DETAIL
- GLASS LEGEND  
G1---8mmHS+12mm AIR GAP+10mmTP THK. I.G.U.  
G2---8mmHS+12mm AIR GAP+8mmTP THK. I.G.U.  
G8---6mm CRYSTAL GREY TP+1.52PVB+6mm CLEAR TP

NO.	DATE	REVISED	BY

JOB NO. : J-859

PROJECT : PROPOSED RESIDENTIAL / COMMERCIAL DEVELOPMENT AT NKIL NO.6551 KAI TAK AREA 4C, SITE 3 KAI TAK, KOWLOON

TITLE : WINDOW SCHEDULE FOR PRECAST FACADE AT TOWER 6

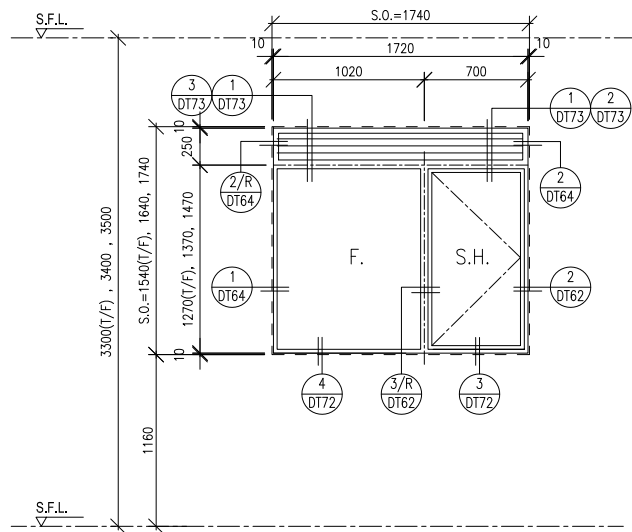
DATE : 18-Nov-21 SCALE : 1:50 (A3)

DRAWN BY : LHR CHECKED BY :

**美特鋁質有限公司**  
MIDI ALUMINIUM FABRICATOR LTD.  
Units 6-8, Sunray Industrial Centre, 1/F  
610 Cha Kwo Ling Road, Kowloon  
Tel:23489211-4 Fax:(852)2727666

DWG NO. : J859-SD-PW-6101 REV. : -

FREE AREA(%)	S.O.	OPENABLE AREA	GLAZING AREA
58.1%	1540	0.73	1.64
	S.O.	OPENABLE AREA	GLAZING AREA
	1640	0.79	1.79
	S.O.	OPENABLE AREA	GLAZING AREA
	1740	0.85	1.94



WINDOW MARK



LOCATION

KIT AT 27/F FLOOR

GLAZING

G1, G2

WINDOW FRAME

70mm ALUM. WINDOW SECTION

WINDOW MARK

LOCATION

GLAZING

WINDOW FRAME

WINDOW MARK

LOCATION

GLAZING

WINDOW FRAME

WINDOW MARK

LOCATION

GLAZING

WINDOW FRAME

WINDOW MARK

LOCATION

GLAZING

WINDOW FRAME

WINDOW MARK

LOCATION

GLAZING

WINDOW FRAME

B.D. REF :

ARCHITECT :  
**WONG TUNG & PARTNERS LIMITED**  
 ARCHITECTS & PLANNERS

STRUCTURAL ENGINEER :  
**SUN HUNG KAI**  
 ARCHITECTS AND ENGINEERS LTD.  
 SUN HUNG KAI CENTRE, WANCHAI, HONGKONG  
 TEL. 28278111 FAX. 28272884

FACADE CONSULTANT:  
**ALPHA CONSULTING LIMITED**  
 Steel Structure & Facade Specialist

MAIN CONTRACTOR :  
**Sanfield Engineering Construction Ltd.**

CLIENT :  
**SUN HUNG KAI**  
 REAL ESTATE AGENCY LTD.  
 42/F SUN HUNG KAI CENTRE, WANCHAI, HONGKONG

NOTE :  
 1. ALL DIMENSIONS ARE IN mm.  
 2. ALL ELEVATIONS ARE VIEWED FROM OUTSIDE.  
 3. ALL DIMENSIONS TO BE VERIFIED ON SITE BEFORE FABRICATION.

LEGEND :  
 —DETAIL MARK NO.  
 —REFER SHEET NO.  
 1. F.F.L. --FINISHED FLOOR LEVEL  
 2. S.F.L. --STRUCTURAL FLOOR LEVEL  
 3. (R) --REVERSED DETAIL  
 4. GLASS LEGEND  
 G1--8mmHS+12mm AIR GAP+10mmTP THK. I.G.U.  
 G2--8mmHS+12mm AIR GAP+8mmTP THK. I.G.U.  
 G8--6mm CRYSTAL GREY TP+1.52PVB+6mm CLEAR TP

NO.	DATE	REVISED	BY
-----	------	---------	----

JOB NO. : J-859  
 PROJECT :  
 PROPOSED RESIDENTIAL / COMMERCIAL  
 DEVELOPMENT AT NKIL NO.6551 KAI  
 TAK AREA 4C, SITE 3  
 KAI TAK, KOWLOON

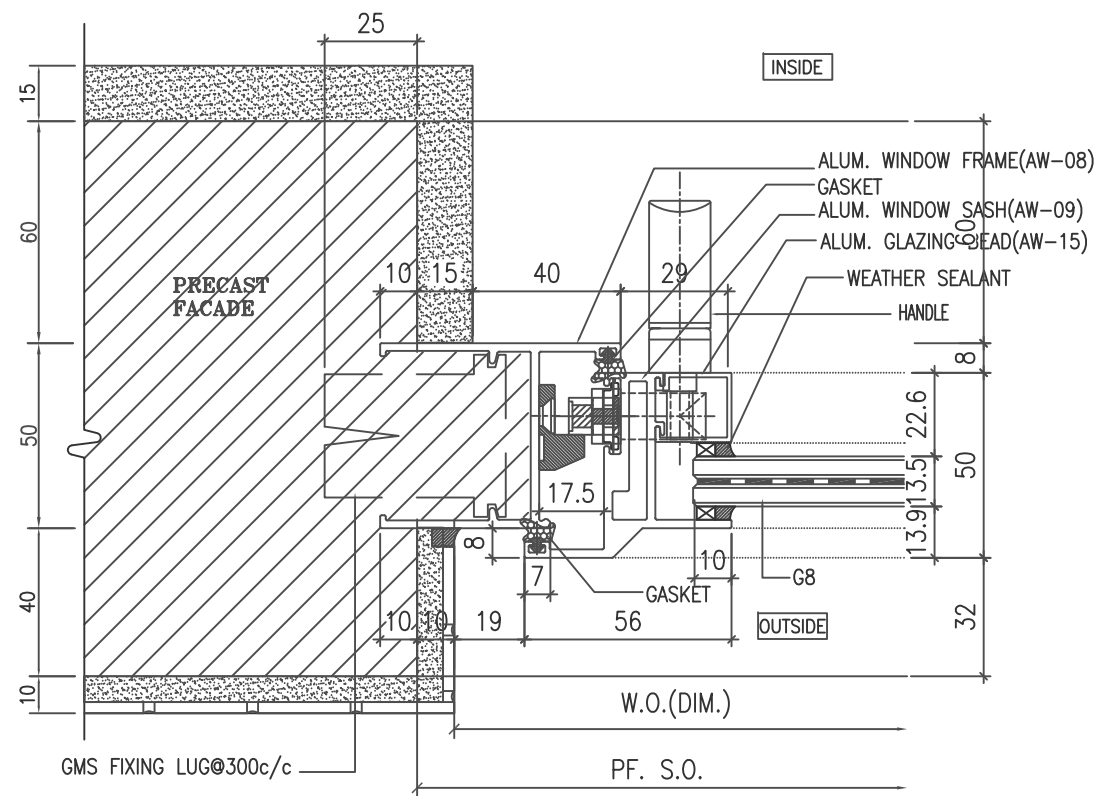
TITLE :  
 WINDOW SCHEDULE  
 FOR PRECAST FACADE  
 AT TOWER 6

DATE : 18-Nov-21 SCALE : 1:50 (A3)

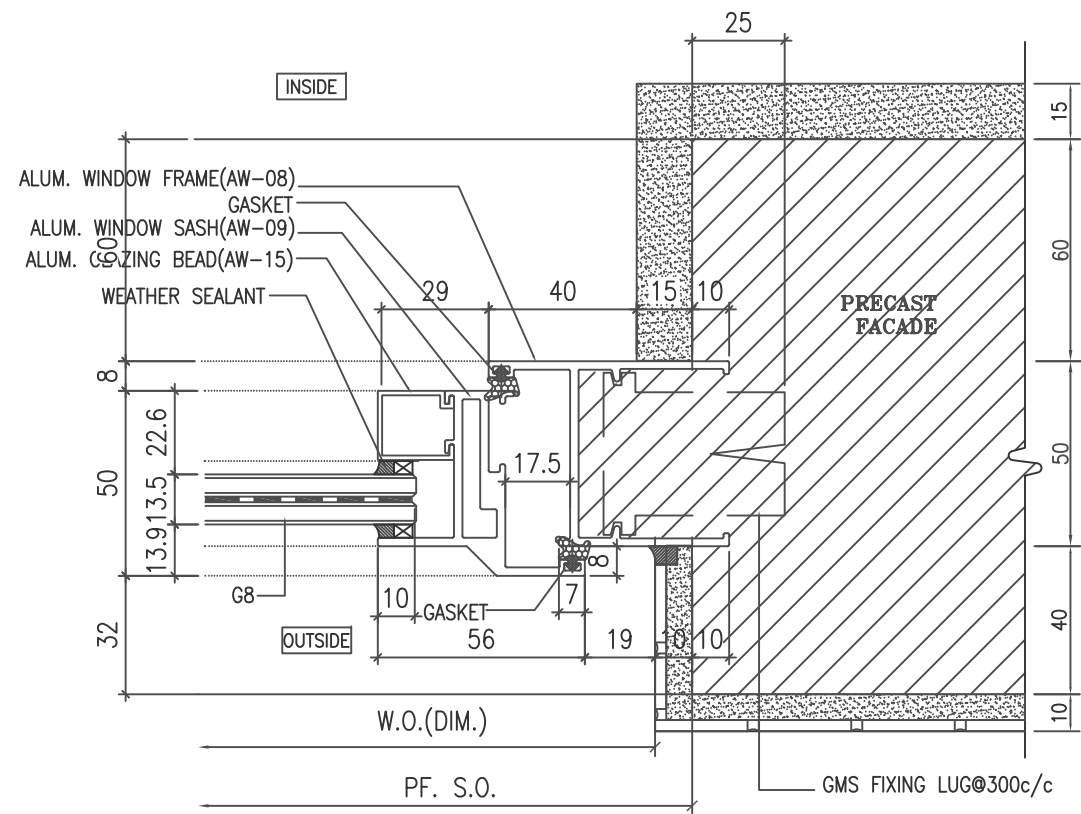
DRAWN BY : LHR CHECKED BY :

**美特鋁質有限公司**  
**MIDI ALUMINIUM FABRICATOR LTD.**  
 Units 6-8, Sunray Industrial Centre, 1/F  
 610 Cha Kwo Ling Road, Kowloon  
 Tel:23489211-4 Fax:(852)2727666

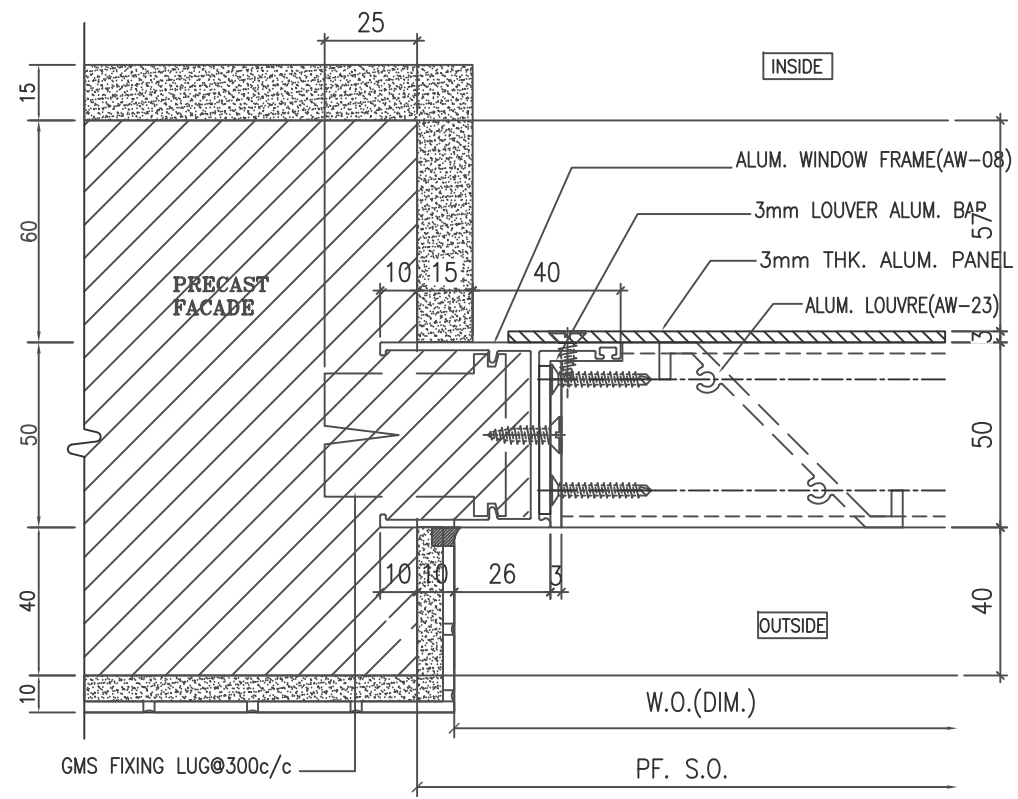
DWG NO. : J859-SD-PW-6102 REV. : -



1 HORIZONTAL DETAIL



2 HORIZONTAL DETAIL



3 HORIZONTAL DETAIL

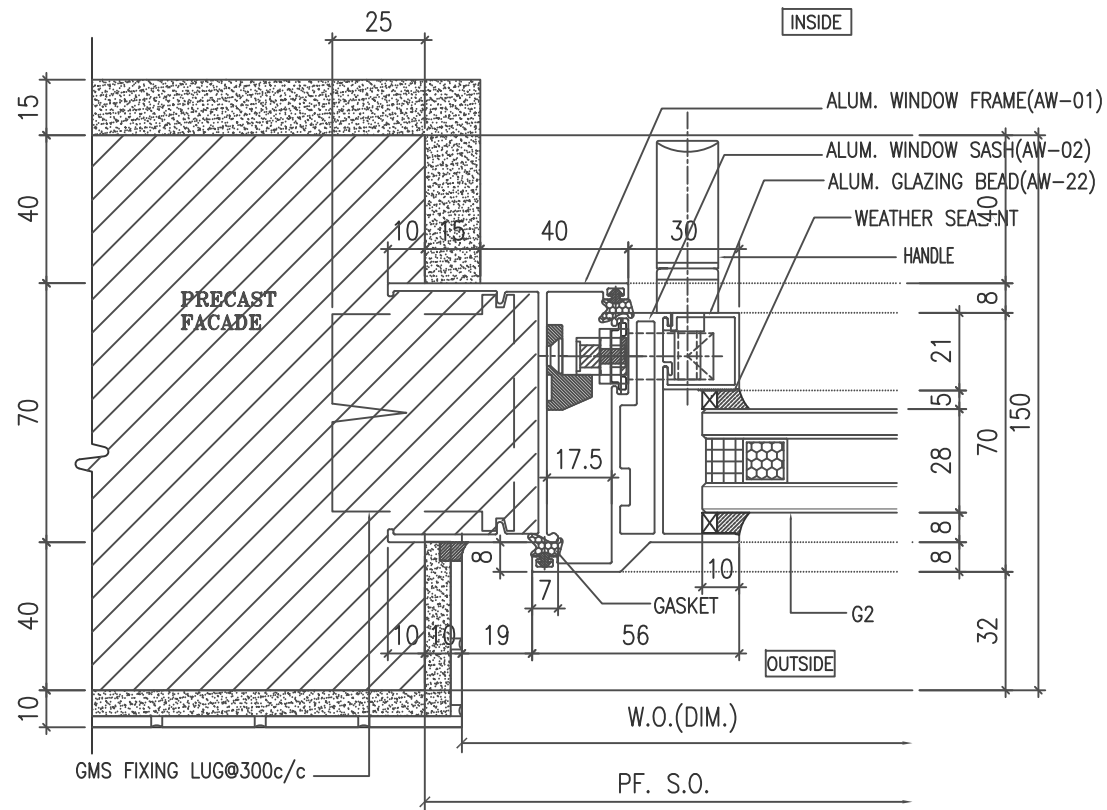
B.D. REF :  
 ARCHITECT :  
**WT** WONG TUNG & PARTNERS LIMITED ARCHITECTS & PLANNERS  
 STRUCTURAL ENGINEER :  
**S** SUN HUNG KAI ARCHITECTS AND ENGINEERS LTD.  
 SUN HUNG KAI CENTRE, WANCHAI, HONGKONG TEL: 28278111 FAX: 28272884  
 FACADE CONSULTANT:  
**α** ALPHA CONSULTING LIMITED Steel Structure & Facade Specialist  
 MAIN CONTRACTOR :  
 Sanfield Engineering Construction Ltd.  
 CLIENT :  
**S** SUN HUNG KAI REAL ESTATE AGENCY LTD.  
 42/F SUN HUNG KAI CENTRE, WANCHAI, HONGKONG

NOTE :  
 1. ALL DIMENSIONS ARE IN mm.  
 2. ALL ELEVATIONS ARE VIEWED FROM OUTSIDE.  
 3. ALL DIMENSIONS TO BE VERIFIED ON SITE BEFORE FABRICATION.

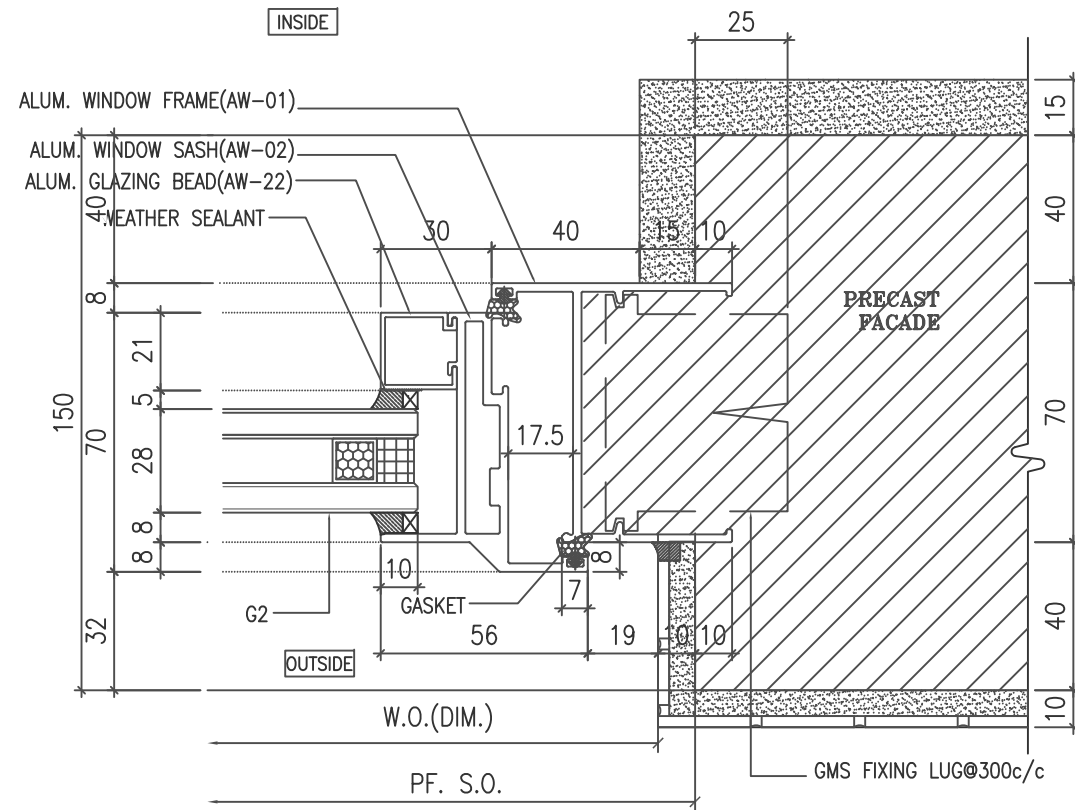
LEGEND :  
 (x1) -- DETAIL MARK NO.  
 (x001) -- REFER SHEET NO.

1. F.F.L. -- FINISHED FLOOR LEVEL  
 2. S.F.L. -- STRUCTURAL FLOOR LEVEL  
 3. (R) -- REVERSED DETAIL  
 4. GLASS LEGEND  
 G1 -- 8mmHS+12mm AIR GAP+10mmTP THK. I.G.U.  
 G2 -- 8mmHS+12mm AIR GAP+8mmTP THK. I.G.U.  
 G8 -- 6mm CRYSTAL GREY TP+1.52PVB+6mm CLEAR TP

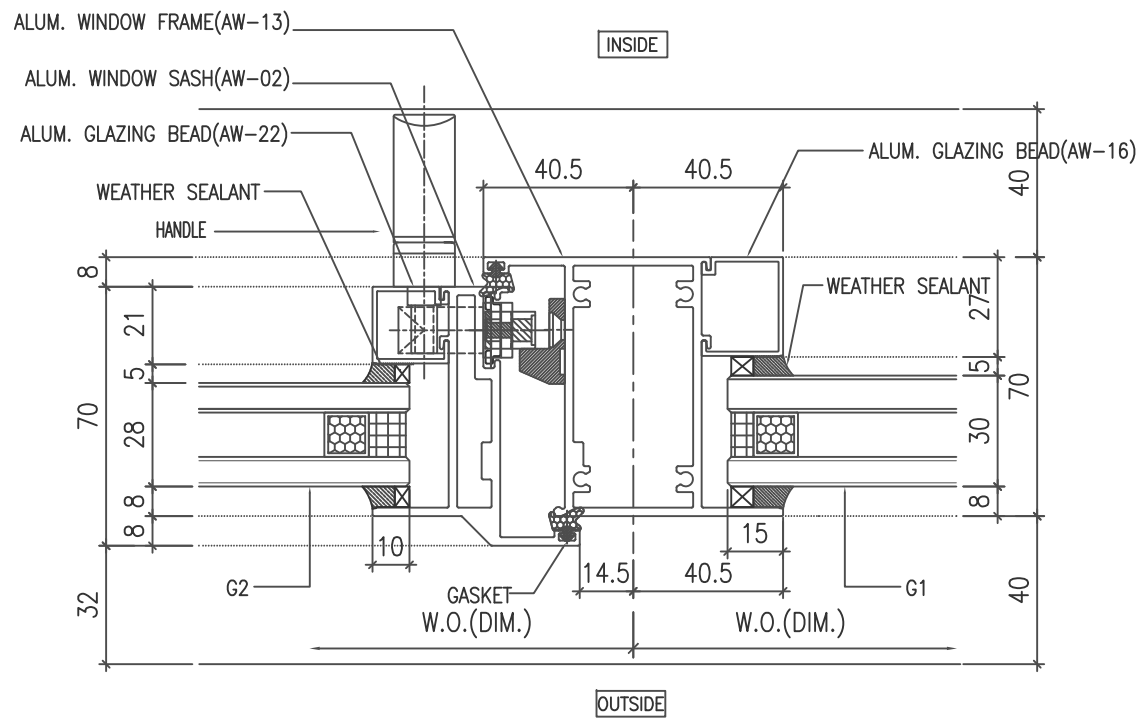
NO.	DATE	REVISED	BY
JOB NO. : J-859			
PROJECT : PROPOSED RESIDENTIAL / COMMERCIAL DEVELOPMENT AT NKIL NO.6551 KAI TAK AREA 4C, SITE 3 KAI TAK, KOWLOON			
TITLE : TYPICAL DETAILS FOR ALUM. WINDOW			
DATE : 10-Nov-21	SCALE : 1:2 (A3)		
DRAWN BY : LHR	CHECKED BY :		
<b>美特铝质有限公司</b> <b>MIDI ALUMINIUM FABRICATOR LTD.</b> Units 6-8, Sunray Industrial Centre, 1/F 610 Cha Kwo Ling Road, Kowloon Tel:23489211-4 Fax:(852)2727666			
DWG NO. : J859-SD-PW-DT61	REV. : -		



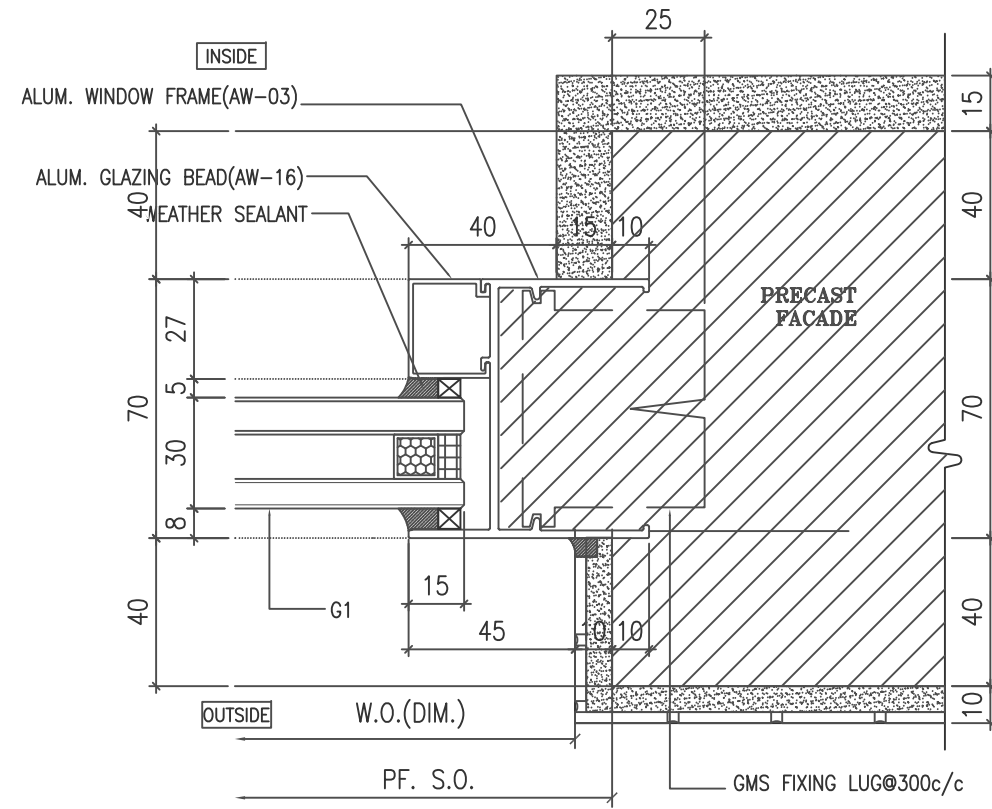
1 HORIZONTAL DETAIL



2 HORIZONTAL DETAIL



3 HORIZONTAL DETAIL



4 HORIZONTAL DETAIL

B.D. REF :

ARCHITECT :  
**WONG TUNG & PARTNERS LIMITED**  
 ARCHITECTS & PLANNERS

STRUCTURAL ENGINEER :  
**SUN HUNG KAI**  
 ARCHITECTS AND ENGINEERS LTD.  
 SUN HUNG KAI CENTRE, WANCHAI, HONGKONG  
 TEL: 28278111 FAX: 28272884

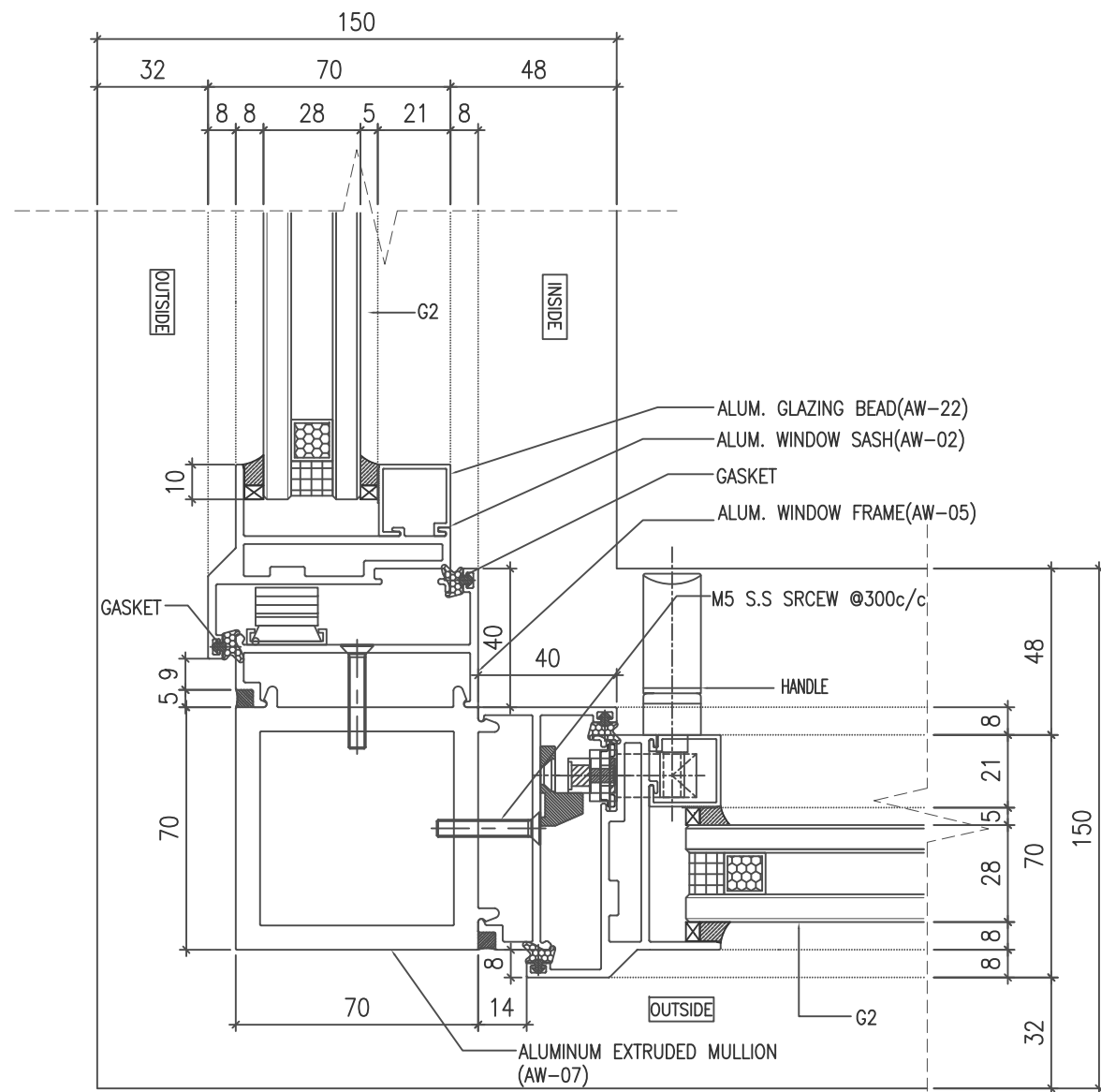
FACADE CONSULTANT:  
**ALPHA CONSULTING LIMITED**  
 Steel Structure & Facade Specialist

MAIN CONTRACTOR :  
**Sanfield Engineering Construction Ltd.**

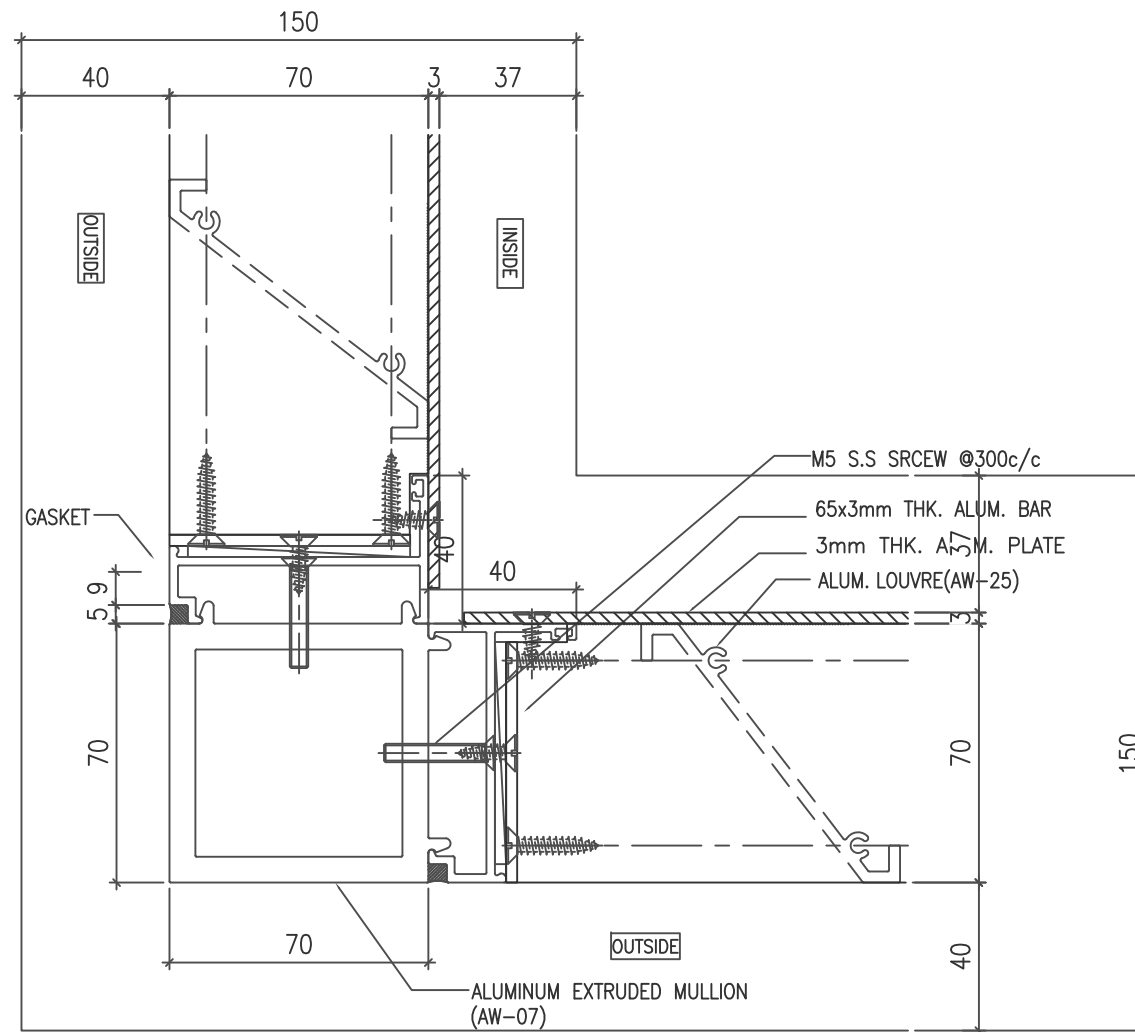
CLIENT :  
**SUN HUNG KAI**  
 REAL ESTATE AGENCY LTD.  
 42/F SUN HUNG KAI CENTRE, WANCHAI, HONGKONG

- NOTE :
1. ALL DIMENSIONS ARE IN mm.
  2. ALL ELEVATIONS ARE VIEWED FROM OUTSIDE.
  3. ALL DIMENSIONS TO BE VERIFIED ON SITE BEFORE FABRICATION.
- LEGEND :
- (X1) --- DETAIL MARK NO.  
 (X001) --- REFER SHEET NO.
1. F.F.L. --- FINISHED FLOOR LEVEL
  2. S.F.L. --- STRUCTURAL FLOOR LEVEL
  3. (R) --- REVERSED DETAIL
  4. GLASS LEGEND
- G1 --- 8mmHS+12mm AIR GAP+10mmTP THK. I.G.U.  
 G2 --- 8mmHS+12mm AIR GAP+8mmTP THK. I.G.U.  
 G8 --- 6mm CRYSTAL GREY TP+1.52PVB+6mm CLEAR TP

NO.	DATE	REVISED	BY
JOB NO. : J-859			
PROJECT : PROPOSED RESIDENTIAL / COMMERCIAL DEVELOPMENT AT NKIL NO.6551 KAI TAK AREA 4C, SITE 3 KAI TAK, KOWLOON			
TITLE : TYPICAL DETAILS FOR ALUM. WINDOW			
DATE : 10-Nov-21	SCALE : 1:2 (A3)		
DRAWN BY : LHR	CHECKED BY :		
<b>美特鋁質有限公司</b> <b>MIDI ALUMINIUM FABRICATOR LTD.</b> Units 6-8, Sunray Industrial Centre, 1/F 610 Cha Kwo Ling Road, Kowloon Tel:23489211-4 Fax:(852)2727666			
DWG NO. : J859-SD-PW-DT62	REV. : -		



1 HORIZONTAL DETAIL



2 HORIZONTAL DETAIL

B.D. REF :

ARCHITECT :  
**WT** WONG TUNG & PARTNERS LIMITED  
 ARCHITECTS & PLANNERS

STRUCTURAL ENGINEER :  
**SUN HUNG KAI**  
 ARCHITECTS AND ENGINEERS LTD.  
 SUN HUNG KAI CENTRE, WANCHAI, HONGKONG  
 TEL. 28278111 FAX. 28272884

FAÇADE CONSULTANT:  
**α** ALPHA CONSULTING LIMITED  
 Steel Structure & Façade Specialist

MAIN CONTRACTOR :  
 Sanfield Engineering  
 Construction Ltd.

CLIENT :  
**SUN HUNG KAI**  
 REAL ESTATE AGENCY LTD.  
 42/F SUN HUNG KAI CENTRE, WANCHAI, HONGKONG

NOTE :  
 1. ALL DIMENSIONS ARE IN mm.  
 2. ALL ELEVATIONS ARE VIEWED FROM OUTSIDE.  
 3. ALL DIMENSIONS TO BE VERIFIED ON SITE BEFORE FABRICATION.

LEGEND :  
 (x1) — DETAIL MARK NO.  
 (x001) — REFER SHEET NO.  
 1. F.F.L. — FINISHED FLOOR LEVEL  
 2. S.F.L. — STRUCTURAL FLOOR LEVEL  
 3. (R) — REVERSED DETAIL  
 4. GLASS LEGEND  
 G1 — 8mmHS+12mm AIR GAP+10mmTP THK. I.G.U.  
 G2 — 8mmHS+12mm AIR GAP+8mmTP THK. I.G.U.  
 G8 — 6mm CRYSTAL GREY TP+1.52PVB+6mm CLEAR TP

NO.	DATE	REVISED	BY
-----	------	---------	----

JOB NO. : J-859  
 PROJECT :  
 PROPOSED RESIDENTIAL / COMMERCIAL  
 DEVELOPMENT AT NKIL NO.6551 KAI  
 TAK AREA 4C, SITE 3  
 KAI TAK, KOWLOON

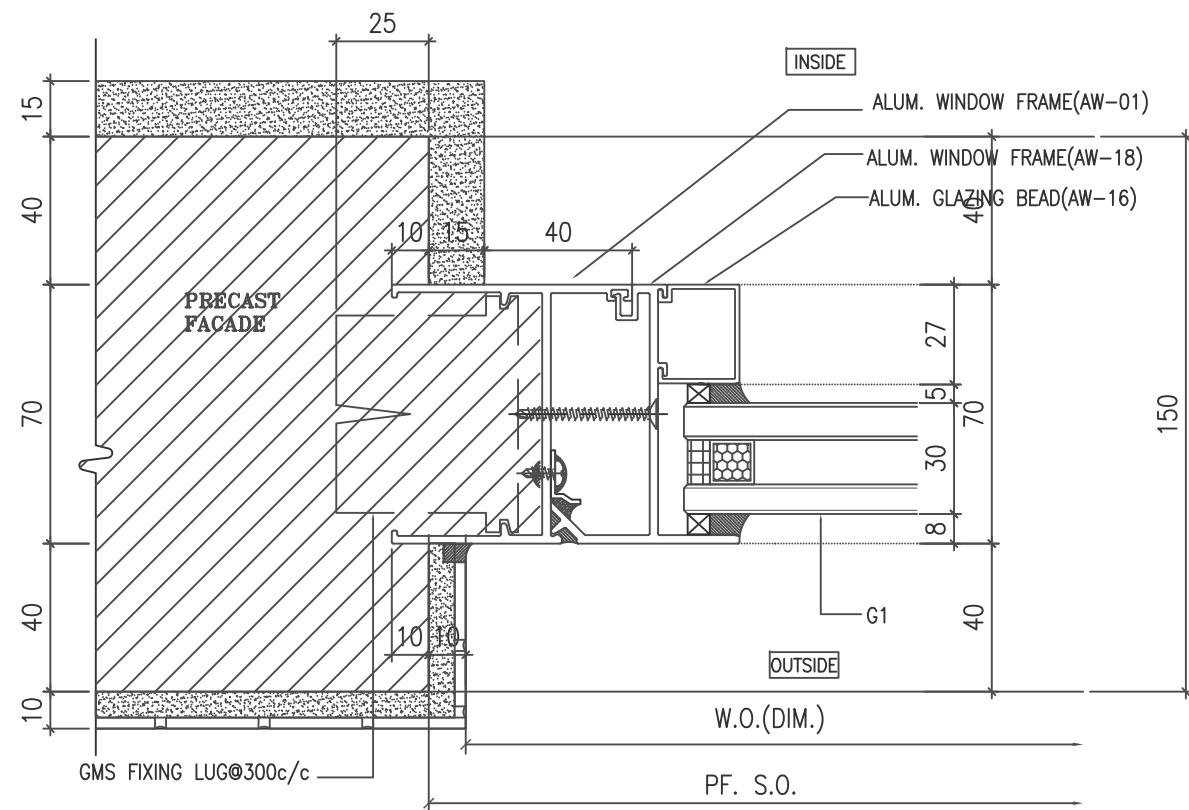
TITLE :  
 TYPICAL DETAILS FOR  
 ALUM. WINDOW

DATE : 10-Nov-21 SCALE : 1:2 (A3)

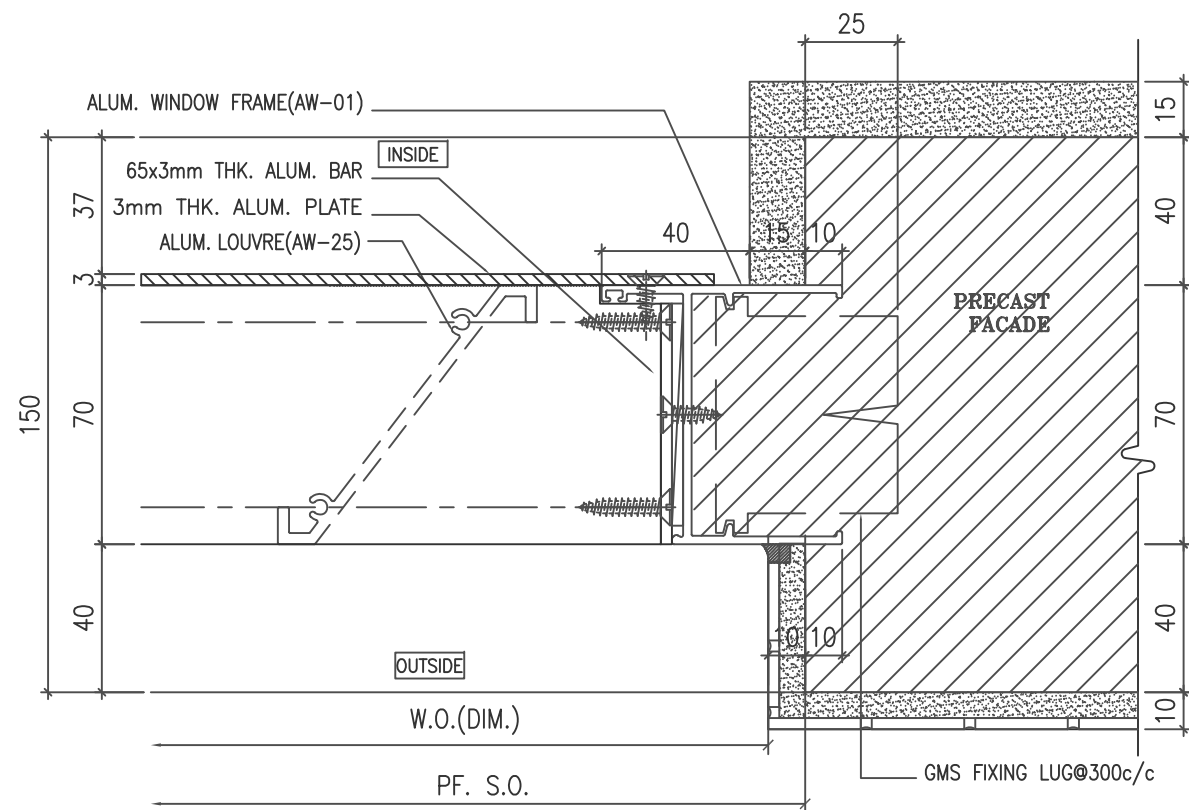
DRAWN BY : LHR CHECKED BY :

**美特鋁質有限公司**  
**MIDI ALUMINIUM FABRICATOR LTD.**  
 Units 6-8, Sunray Industrial Centre, 1/F  
 610 Cha Kwo Ling Road, Kowloon  
 Tel:23489211-4 Fax:(852)2727666

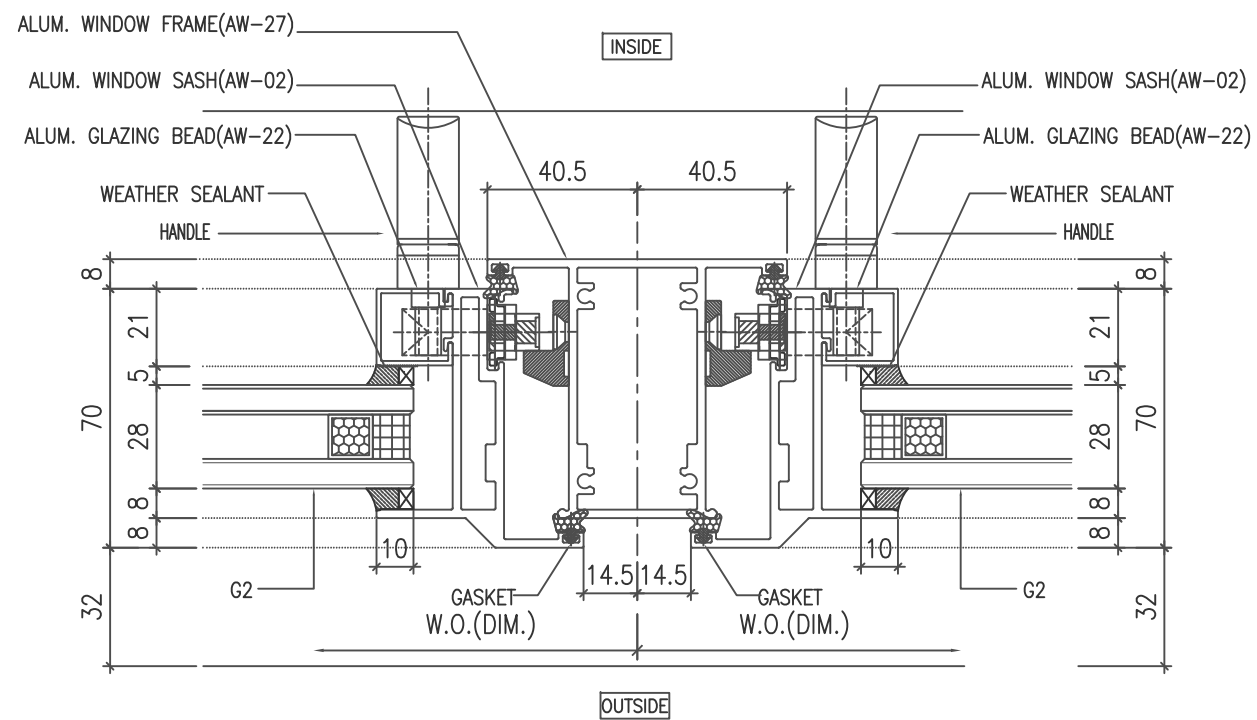
DWG NO. : J859-SD-PW-DT63 REV. : -



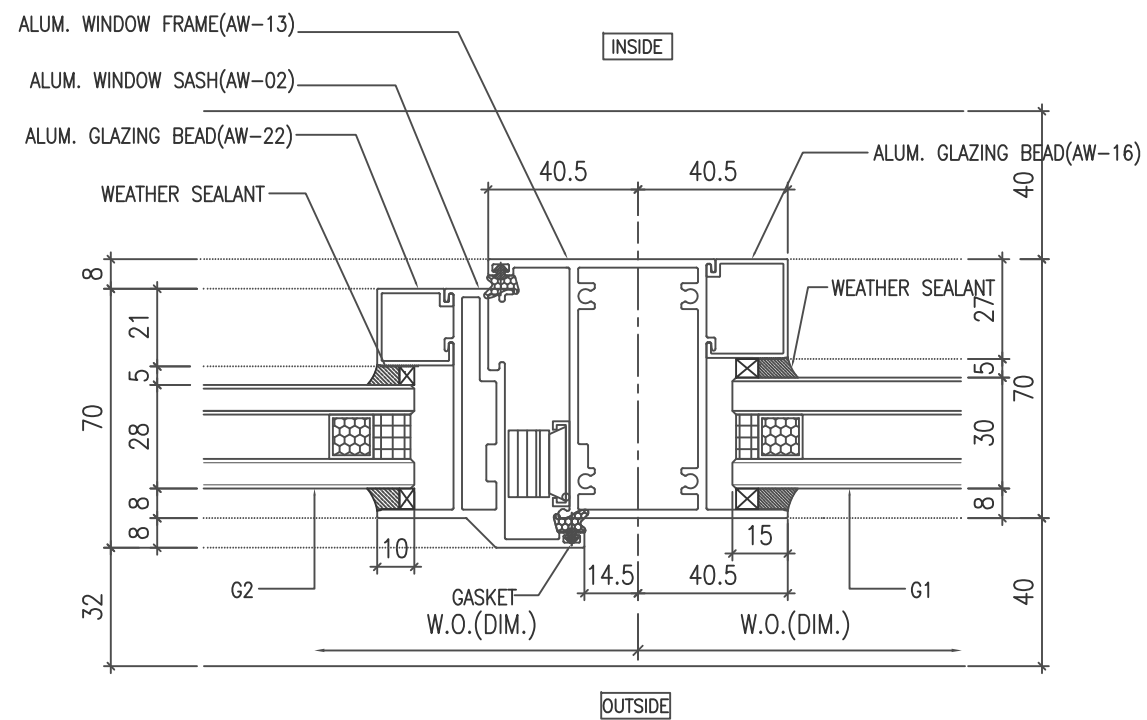
1 HORIZONTAL DETAIL



2 HORIZONTAL DETAIL



3 HORIZONTAL DETAIL



4 HORIZONTAL DETAIL

B.D. REF :

ARCHITECT :  
**WONG TUNG & PARTNERS LIMITED**  
 ARCHITECTS & PLANNERS

STRUCTURAL ENGINEER :  
**SUN HUNG KAI**  
 ARCHITECTS AND ENGINEERS LTD.  
 SUN HUNG KAI CENTRE, WANCHAI, HONGKONG  
 TEL. 28278111 FAX. 28272884

FAÇADE CONSULTANT:  
**ALPHA CONSULTING LIMITED**  
 Steel Structure & Façade Specialist

MAIN CONTRACTOR :  
**Sanfield Engineering Construction Ltd.**

CLIENT :  
**SUN HUNG KAI**  
 REAL ESTATE AGENCY LTD.  
 42/F SUN HUNG KAI CENTRE, WANCHAI, HONGKONG

NOTE :  
 1. ALL DIMENSIONS ARE IN mm.  
 2. ALL ELEVATIONS ARE VIEWED FROM OUTSIDE.  
 3. ALL DIMENSIONS TO BE VERIFIED ON SITE BEFORE FABRICATION.

LEGEND :  

 x1 — DETAIL MARK NO.  
 x001 — REFER SHEET NO.  
 1. F.F.L. -- FINISHED FLOOR LEVEL  
 2. S.F.L. -- STRUCTURAL FLOOR LEVEL  
 3. (R) -- REVERSED DETAIL  
 4. GLASS LEGEND  
 G1 -- 8mmHS+12mm AIR GAP+10mmTP THK. I.G.U.  
 G2 -- 8mmHS+12mm AIR GAP+8mmTP THK. I.G.U.  
 G8 -- 6mm CRYSTAL GREY TP+1.52PVB+6mm CLEAR TP

NO.	DATE	REVISED	BY

JOB NO. : J-859  
 PROJECT : PROPOSED RESIDENTIAL / COMMERCIAL DEVELOPMENT AT NKIL NO.6551 KAI TAK AREA 4C, SITE 3 KAI TAK, KOWLOON

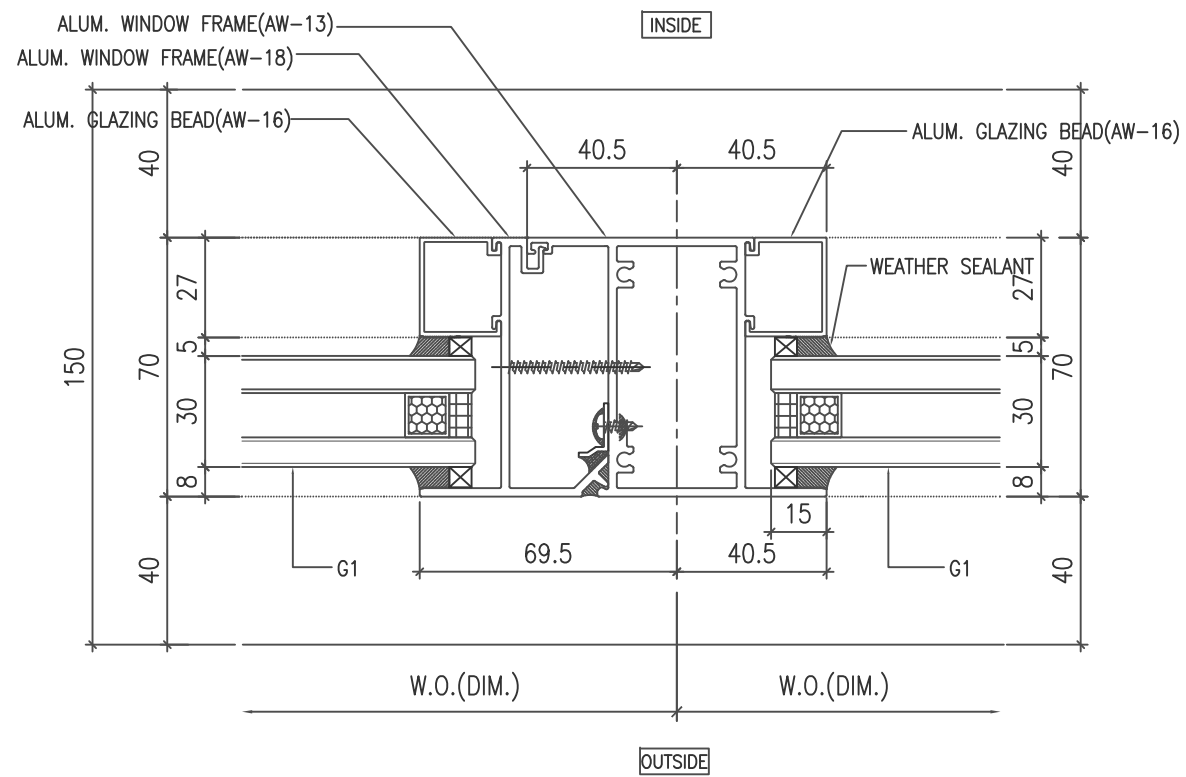
TITLE : TYPICAL DETAILS FOR ALUM. WINDOW

DATE : 10-Nov-21 SCALE : 1:2 (A3)

DRAWN BY : LHR CHECKED BY :

**美特鋁質有限公司**  
 MIDI ALUMINIUM FABRICATOR LTD.  
 Units 6-8, Sunray Industrial Centre, 1/F  
 610 Cha Kwo Ling Road, Kowloon  
 Tel:23489211-4 Fax:(852)2727666

DWG NO. : J859-SD-PW-DT64 REV. : -



1 HORIZONTAL DETAIL

B.D. REF :

ARCHITECT :  
**WT** WONG TUNG & PARTNERS LIMITED  
 ARCHITECTS & PLANNERS

STRUCTURAL ENGINEER :  
**S** SUN HUNG KAI  
 ARCHITECTS AND ENGINEERS LTD.  
 SUN HUNG KAI CENTRE, WANCHAI, HONGKONG  
 TEL. 28278111 FAX. 28272884

FACADE CONSULTANT:  
**α** ALPHA CONSULTING LIMITED  
 Steel Structure & Facade Specialist

MAIN CONTRACTOR :  
 Sanfield Engineering  
 Construction Ltd.

CLIENT :  
**S** SUN HUNG KAI  
 REAL ESTATE AGENCY LTD.  
 42/F SUN HUNG KAI CENTRE, WANCHAI, HONGKONG

NOTE :  
 1. ALL DIMENSIONS ARE IN mm.  
 2. ALL ELEVATIONS ARE VIEWED FROM OUTSIDE.  
 3. ALL DIMENSIONS TO BE VERIFIED ON SITE BEFORE FABRICATION.

LEGEND :  
 (x1) — DETAIL MARK NO.  
 (x001) — REFER SHEET NO.

1. F.F.L. -- FINISHED FLOOR LEVEL  
 2. S.F.L. -- STRUCTURAL FLOOR LEVEL  
 3. (R) -- REVERSED DETAIL  
 4. GLASS LEGEND  
 G1 -- 8mmHS+12mm AIR GAP+10mmTP THK. I.G.U.  
 G2 -- 8mmHS+12mm AIR GAP+8mmTP THK. I.G.U.  
 G8 -- 6mm CRYSTAL GREY TP+1.52PVB+6mm CLEAR TP

NO.	DATE	REVISED	BY

JOB NO. : J-859  
 PROJECT :  
 PROPOSED RESIDENTIAL / COMMERCIAL  
 DEVELOPMENT AT NKIL NO.6551 KAI  
 TAK AREA 4C, SITE 3  
 KAI TAK, KOWLOON

TITLE :  
 TYPICAL DETAILS FOR  
 ALUM. WINDOW

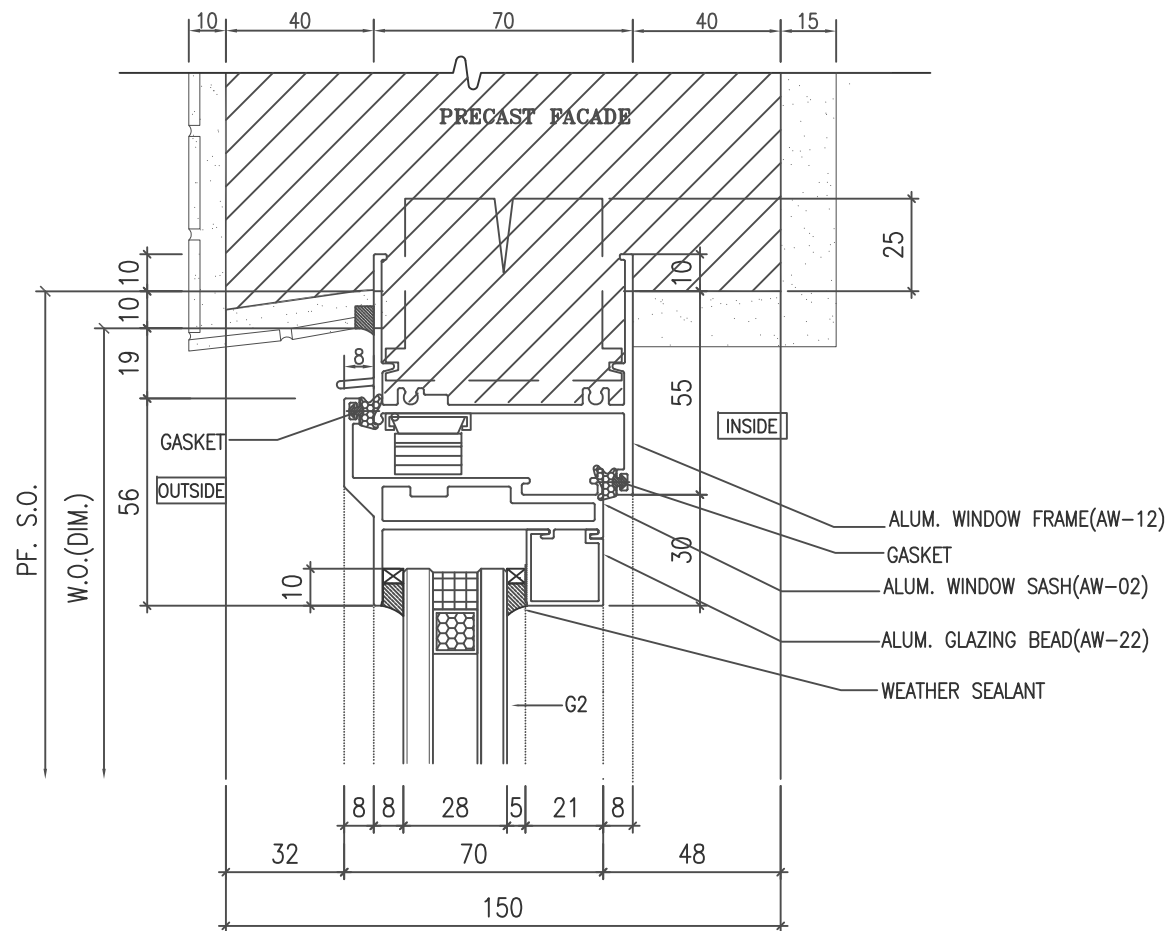
DATE : 10-Nov-21 SCALE : 1:2 (A3)

DRAWN BY : LHR CHECKED BY :

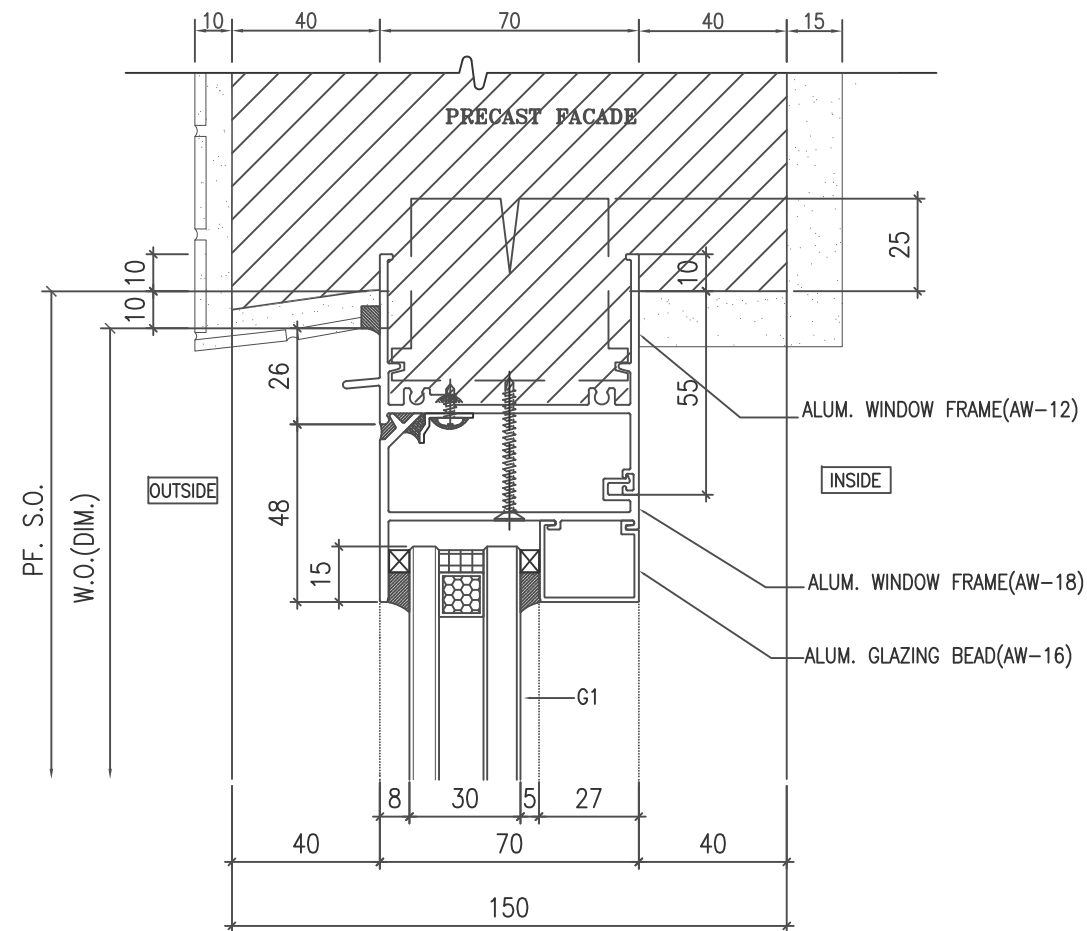
**美特鋁質有限公司**  
**MIDI ALUMINIUM FABRICATOR LTD.**  
 Units 6-8, Sunray Industrial Centre, 1/F  
 610 Cha Kwo Ling Road, Kowloon  
 Tel:23489211-4 Fax:(852)2727666

DWG NO. : J859-SD-PW-DT65 REV. : -

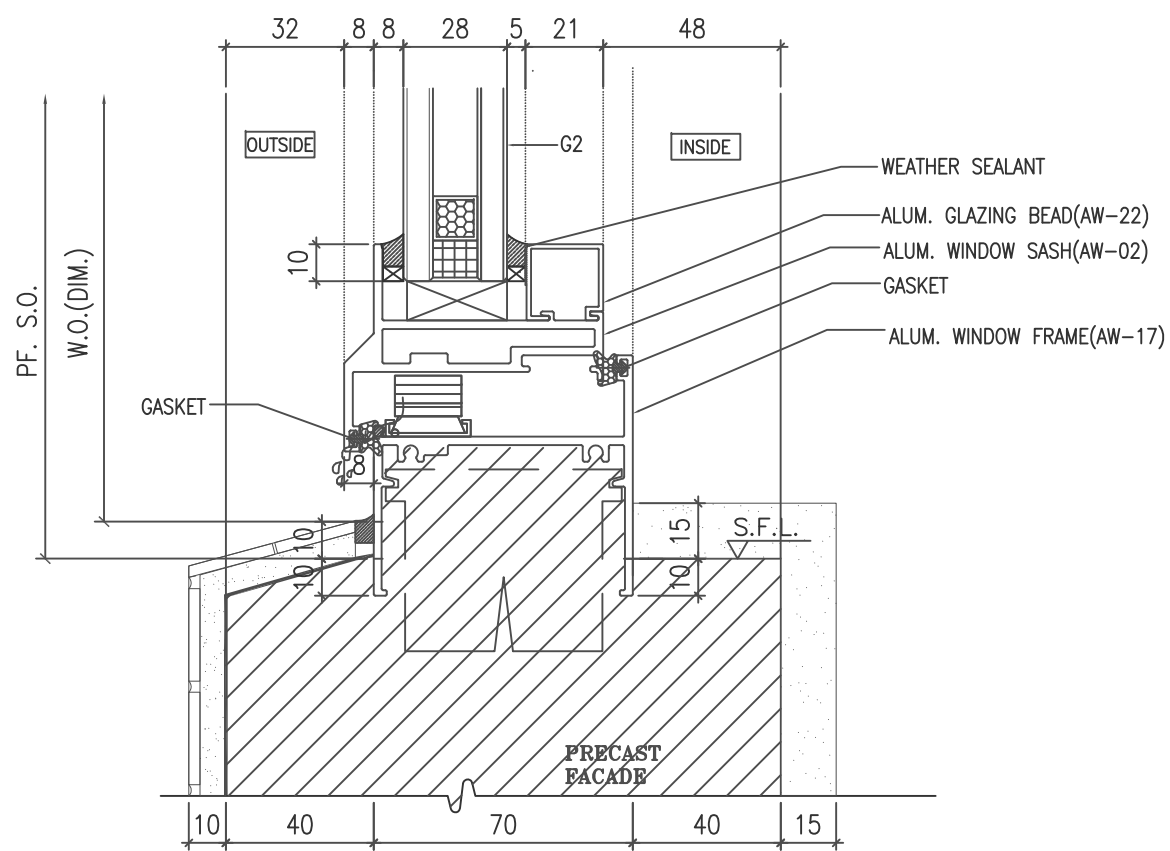




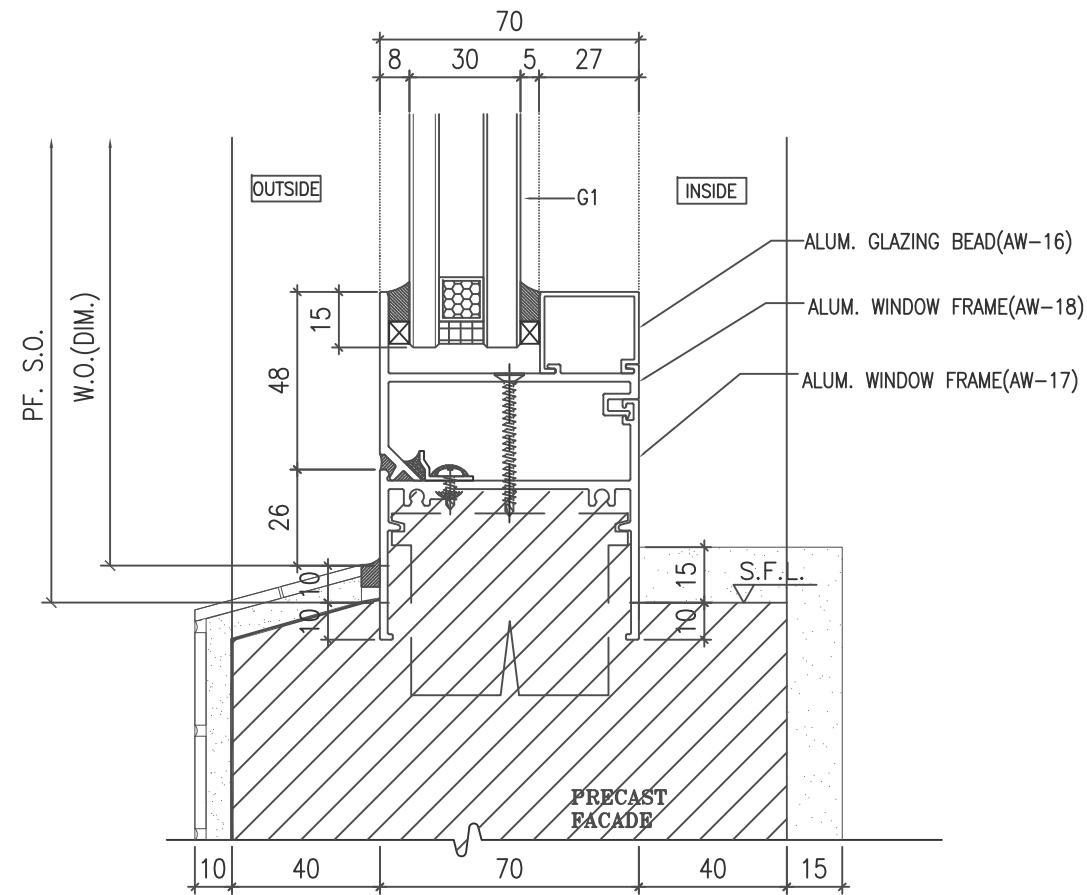
1 VERTICAL DETAIL



2 VERTICAL DETAIL



3 VERTICAL DETAIL

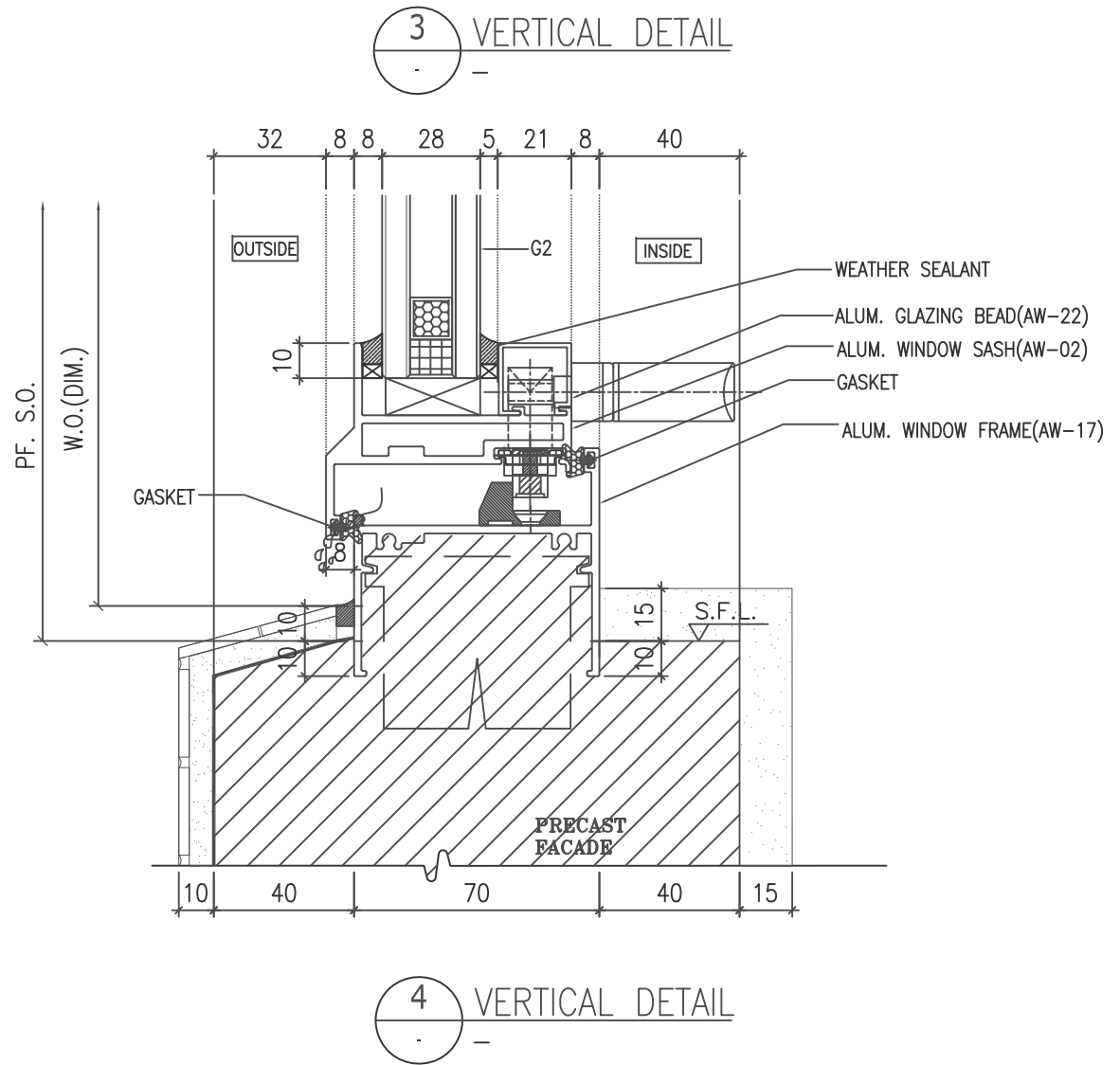
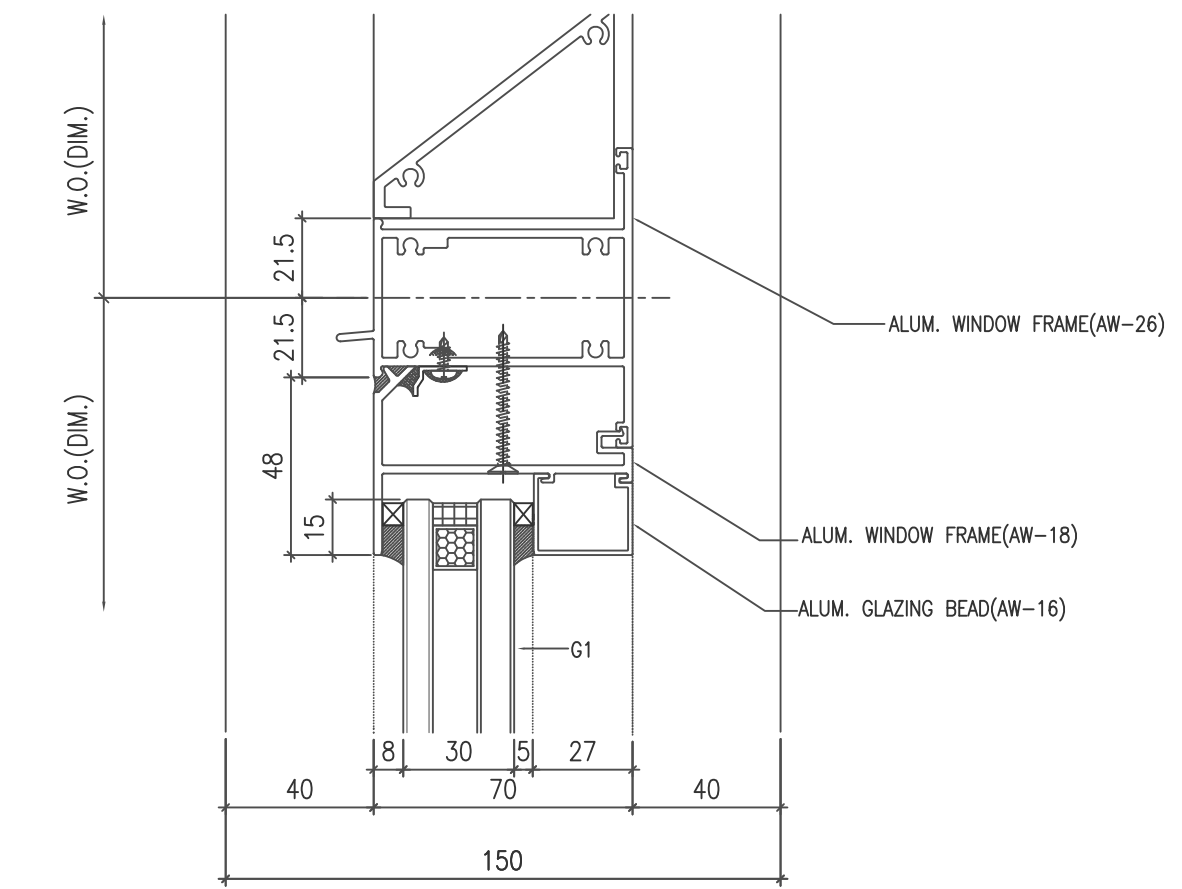
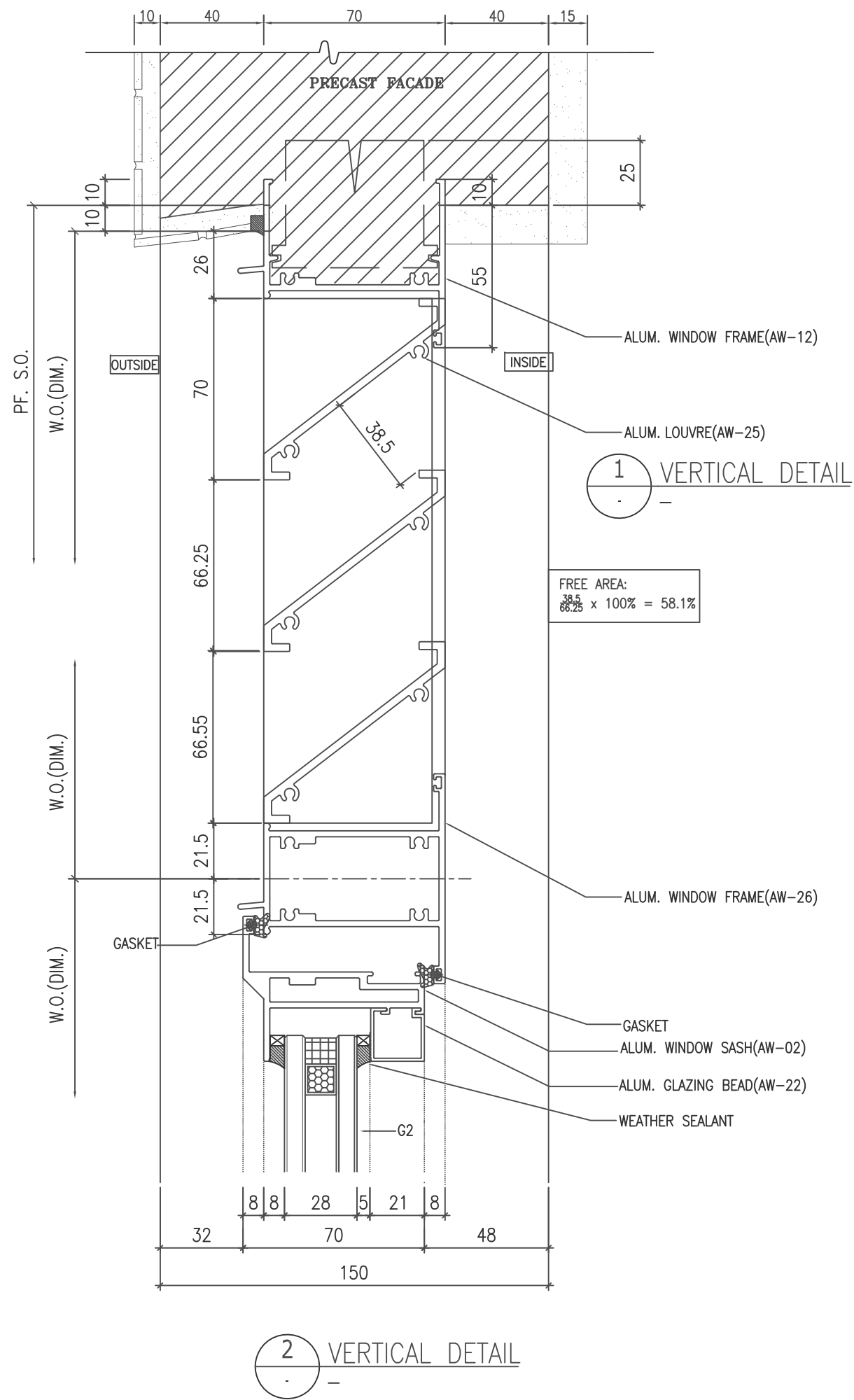


4 VERTICAL DETAIL

B.D. REF :  
 ARCHITECT :  
**WT** WONG TUNG & PARTNERS LIMITED ARCHITECTS & PLANNERS  
 STRUCTURAL ENGINEER :  
**SUN HUNG KAI** ARCHITECTS AND ENGINEERS LTD.  
 SUN HUNG KAI CENTRE, WANCHAI, HONGKONG  
 TEL. 28278111 FAX. 28272884  
 FACADE CONSULTANT:  
**α** ALPHA CONSULTING LIMITED  
 Steel Structure & Facade Specialist  
 MAIN CONTRACTOR :  
 Sanfield Engineering Construction Ltd.  
 CLIENT :  
**SUN HUNG KAI** REAL ESTATE AGENCY LTD.  
 42/F SUN HUNG KAI CENTRE, WANCHAI, HONGKONG

NOTE :  
 1. ALL DIMENSIONS ARE IN mm.  
 2. ALL ELEVATIONS ARE VIEWED FROM OUTSIDE.  
 3. ALL DIMENSIONS TO BE VERIFIED ON SITE BEFORE FABRICATION.  
 LEGEND :  
 x1 — DETAIL MARK NO.  
 x001 — REFER SHEET NO.  
 1. F.F.L. — FINISHED FLOOR LEVEL  
 2. S.F.L. — STRUCTURAL FLOOR LEVEL  
 3. (R) — REVERSED DETAIL  
 4. GLASS LEGEND  
 G1 — 8mmHS+12mm AIR GAP+10mmTP THK. I.G.U.  
 G2 — 8mmHS+12mm AIR GAP+8mmTP THK. I.G.U.  
 G8 — 6mm CRYSTAL GREY TP+1.52PVB+6mm CLEAR TP

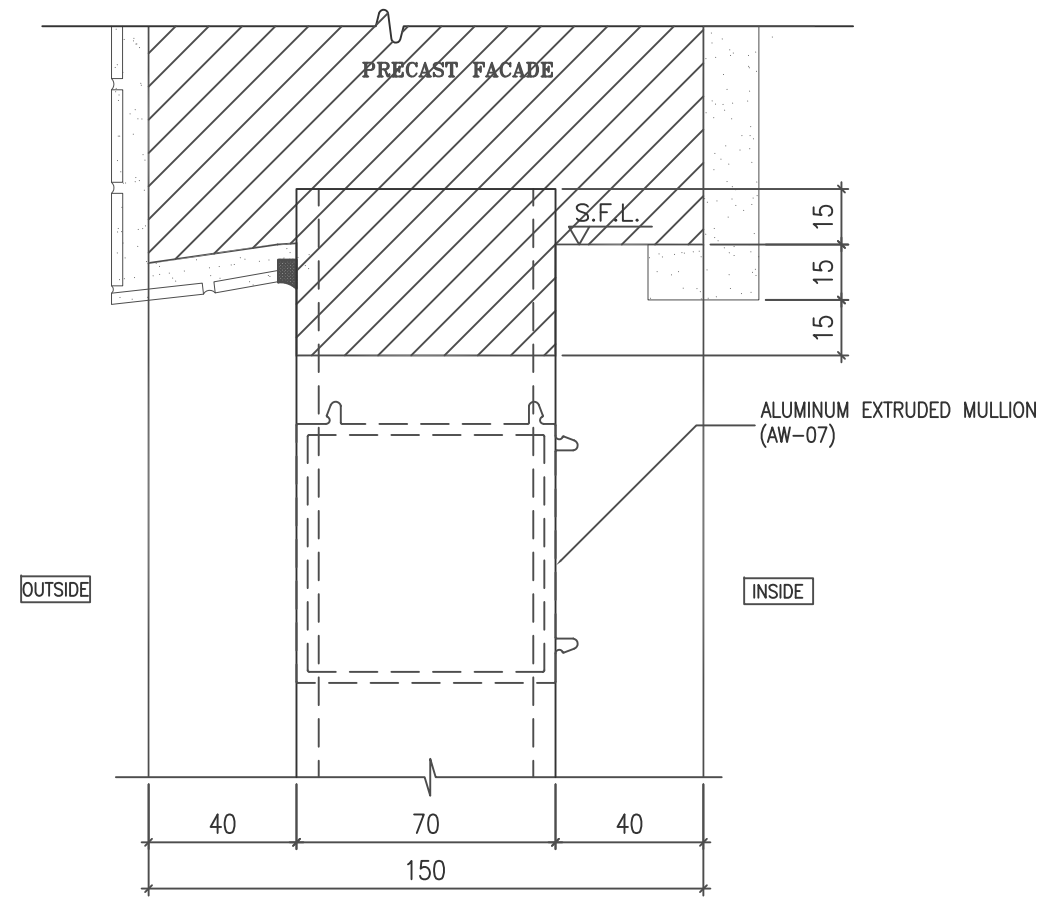
NO.	DATE	REVISED	BY
JOB NO. : J-859			
PROJECT : PROPOSED RESIDENTIAL / COMMERCIAL DEVELOPMENT AT NKIL NO.6551 KAI TAK AREA 4C, SITE 3 KAI TAK, KOWLOON			
TITLE : TYPICAL DETAILS FOR ALUM. WINDOW			
DATE : 10-Nov-21		SCALE : 1:2 (A3)	
DRAWN BY : LHR		CHECKED BY :	
<b>美特鋁質有限公司</b> MIDI ALUMINIUM FABRICATOR LTD. Units 6-8, Sunray Industrial Centre, 1/F 610 Cha Kwo Ling Road, Kowloon Tel:23489211-4 Fax:(852)2727666			
DWG NO. : J859-SD-PW-DT72			REV. : -



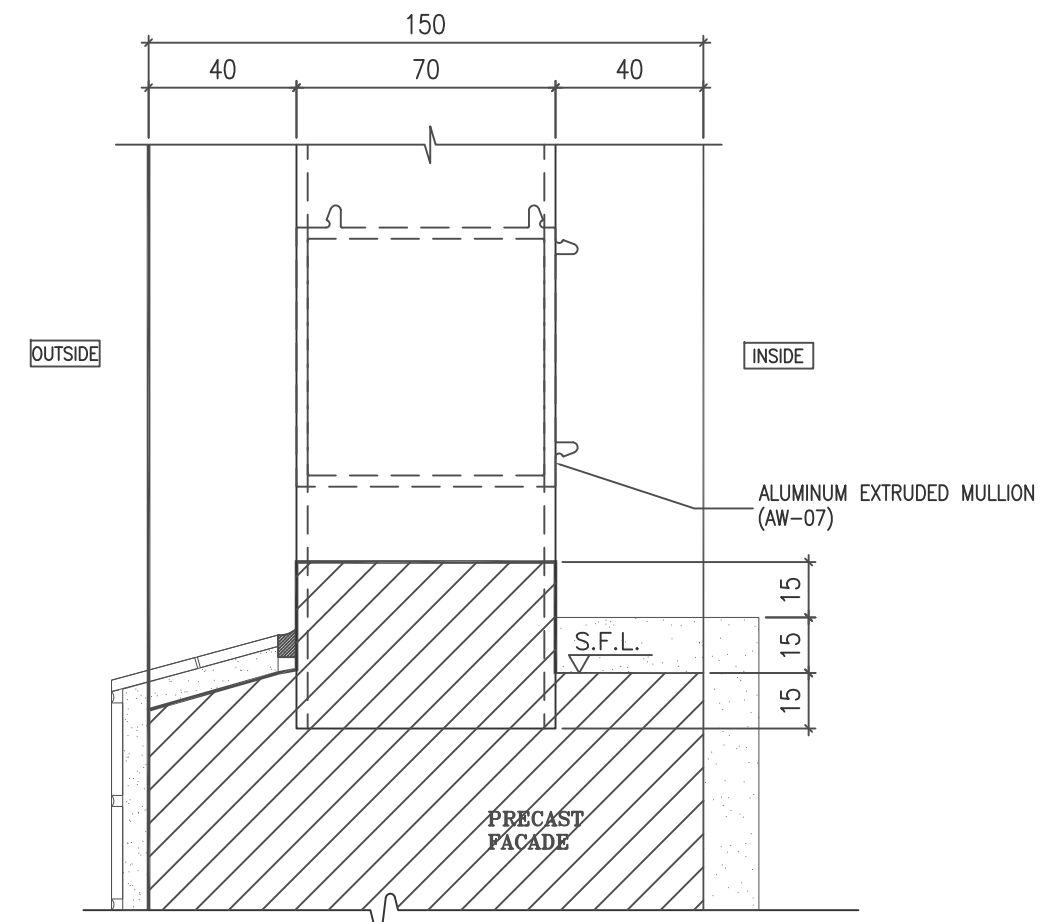
B.D. REF :  
 ARCHITECT :  
**WT** WONG TUNG & PARTNERS LIMITED  
 ARCHITECTS & PLANNERS  
 STRUCTURAL ENGINEER :  
**SUN HUNG KAI**  
 ARCHITECTS AND ENGINEERS LTD.  
 SUN HUNG KAI CENTRE, WANCHAI, HONGKONG  
 TEL: 28278111 FAX: 28272884  
 FACADE CONSULTANT:  
**α** ALPHA CONSULTING LIMITED  
 Steel Structure & Facade Specialist  
 MAIN CONTRACTOR :  
 Sanfield Engineering  
 Construction Ltd.  
 CLIENT :  
**SUN HUNG KAI**  
 REAL ESTATE AGENCY LTD.  
 42/F SUN HUNG KAI CENTRE, WANCHAI, HONGKONG

- NOTE :
1. ALL DIMENSIONS ARE IN mm.
  2. ALL ELEVATIONS ARE VIEWED FROM OUTSIDE.
  3. ALL DIMENSIONS TO BE VERIFIED ON SITE BEFORE FABRICATION.
- LEGEND :
- (X1) — DETAIL MARK NO.  
 (X001) — REFER SHEET NO.
1. F.F.L. — FINISHED FLOOR LEVEL
  2. S.F.L. — STRUCTURAL FLOOR LEVEL
  3. (R) — REVERSED DETAIL
  4. GLASS LEGEND
- G1 — 8mmHS+12mm AIR GAP+10mmTP THK. I.G.U.  
 G2 — 8mmHS+12mm AIR GAP+8mmTP THK. I.G.U.  
 G8 — 6mm CRYSTAL GREY TP+1.52PVB+6mm CLEAR TP

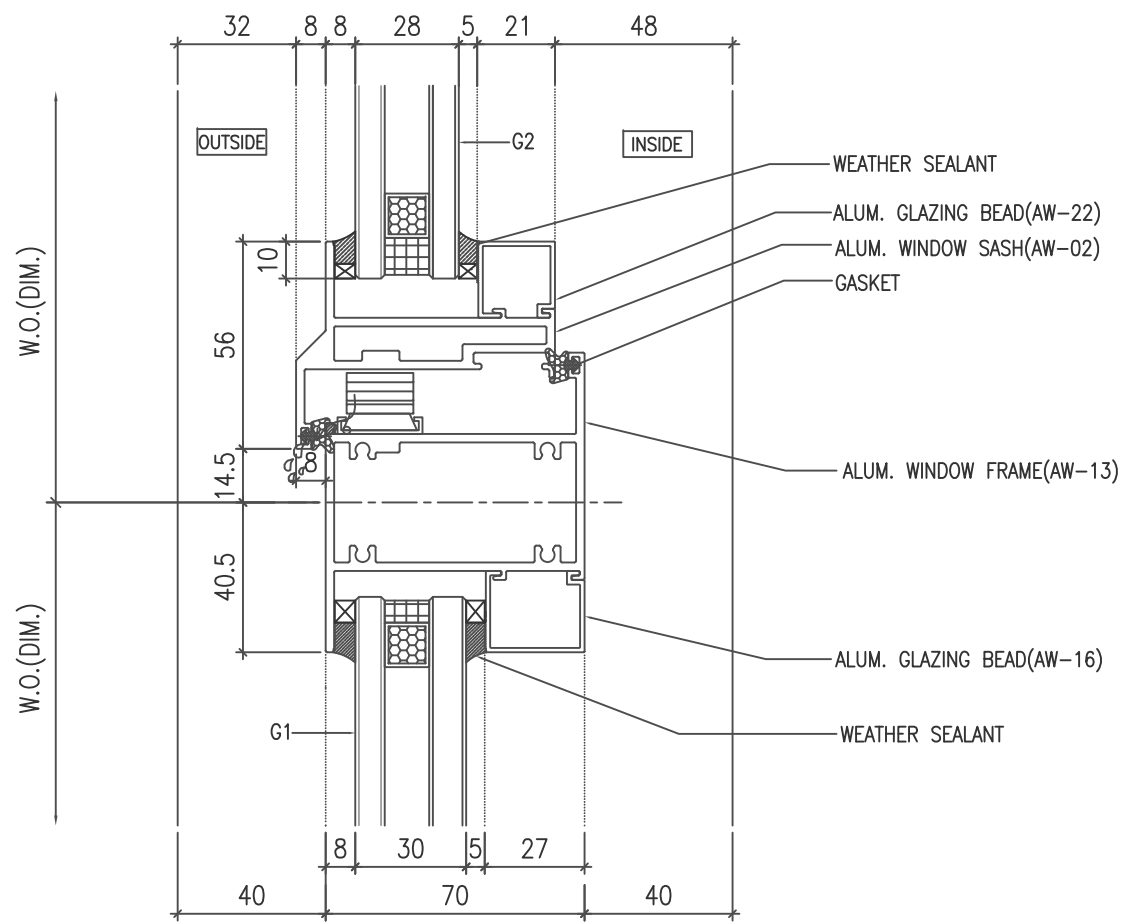
NO.	DATE	REVISED	BY
JOB NO. : J-859			
PROJECT : PROPOSED RESIDENTIAL / COMMERCIAL DEVELOPMENT AT NKIL NO.6551 KAI TAK AREA 4C, SITE 3 KAI TAK, KOWLOON			
TITLE : TYPICAL DETAILS FOR ALUM. WINDOW			
DATE : 10-Nov-21		SCALE : 1:2 (A3)	
DRAWN BY : LHR		CHECKED BY :	
<b>美特鋁質有限公司</b> <b>MIDI ALUMINIUM FABRICATOR LTD.</b> Units 6-8, Sunray Industrial Centre, 1/F 610 Cha Kwo Ling Road, Kowloon Tel:23489211-4 Fax:(852)2727666			
DWG NO. : J859-SD-PW-DT73			REV. : -



1 VERTICAL DETAIL



2 VERTICAL DETAIL



3 VERTICAL DETAIL

B.D. REF :

ARCHITECT :  
**WT** WONG TUNG & PARTNERS LIMITED  
 ARCHITECTS & PLANNERS

STRUCTURAL ENGINEER :  
**SUN HUNG KAI**  
 ARCHITECTS AND ENGINEERS LTD.  
 SUN HUNG KAI CENTRE, WANCHAI, HONGKONG  
 TEL. 28278111 FAX. 28272884

FACADE CONSULTANT:  
**α** ALPHA CONSULTING LIMITED  
 Steel Structure & Facade Specialist

MAIN CONTRACTOR :  
 Sanfield Engineering  
 Construction Ltd.

CLIENT :  
**SUN HUNG KAI**  
 REAL ESTATE AGENCY LTD.  
 42/F SUN HUNG KAI CENTRE, WANCHAI, HONGKONG

NOTE :  
 1. ALL DIMENSIONS ARE IN mm.  
 2. ALL ELEVATIONS ARE VIEWED FROM OUTSIDE.  
 3. ALL DIMENSIONS TO BE VERIFIED ON SITE BEFORE FABRICATION.

LEGEND :  
 x1 — DETAIL MARK NO.  
 x001 — REFER SHEET NO.

1. F.F.L. -- FINISHED FLOOR LEVEL  
 2. S.F.L. -- STRUCTURAL FLOOR LEVEL  
 3. (R) -- REVERSED DETAIL  
 4. GLASS LEGEND  
 G1 -- 8mmHS+12mm AIR GAP+10mmTP THK. I.G.U.  
 G2 -- 8mmHS+12mm AIR GAP+8mmTP THK. I.G.U.  
 G8 -- 6mm CRYSTAL GREY TP+1.52PVB+6mm CLEAR TP

NO.	DATE	REVISED	BY

JOB NO. : J-859  
 PROJECT :  
 PROPOSED RESIDENTIAL / COMMERCIAL  
 DEVELOPMENT AT NKIL NO.6551 KAI  
 TAK AREA 4C, SITE 3  
 KAI TAK, KOWLOON

TITLE :  
 TYPICAL DETAILS FOR  
 ALUM. WINDOW

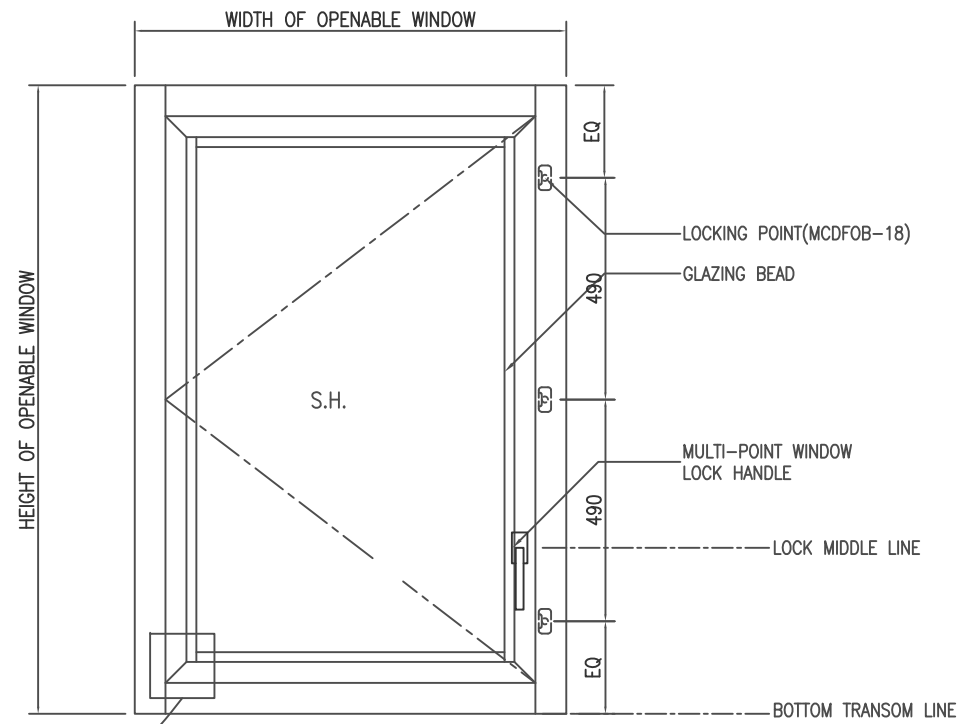
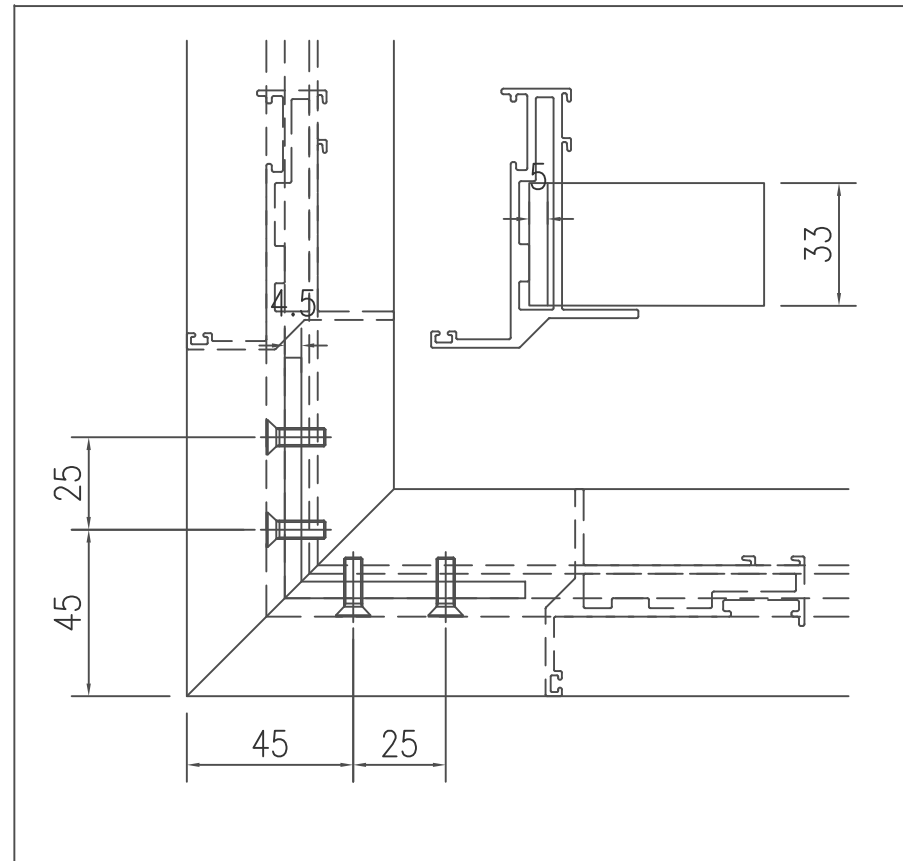
DATE : 10-Nov-21 SCALE : 1:2 (A3)

DRAWN BY : LHR CHECKED BY :

**美特鋁質有限公司**  
**MIDI ALUMINIUM FABRICATOR LTD.**  
 Units 6-8, Sunray Industrial Centre, 1/F  
 610 Cha Kwo Ling Road, Kowloon  
 Tel:23489211-4 Fax:(852)2727666

DWG NO. : J859-SD-PW-DT74 REV. : -

# 70 ALUM. WINDOW



01 TYPICAL SECTION

S.F.L.

B.D. REF :

ARCHITECT :  
**WT** WONG TUNG & PARTNERS LIMITED  
 ARCHITECTS & PLANNERS

STRUCTURAL ENGINEER :  
**SUN HUNG KAI**  
 ARCHITECTS AND ENGINEERS LTD.  
 SUN HUNG KAI CENTRE, WANCHAI, HONGKONG  
 TEL. 28278111 FAX. 28272884

FACADE CONSULTANT:  
**α** ALPHA CONSULTING LIMITED  
 Steel Structure & Facade Specialist

MAIN CONTRACTOR :  
 Sanfield Engineering  
 Construction Ltd.

CLIENT :  
**SUN HUNG KAI**  
 REAL ESTATE AGENCY LTD.  
 42/F SUN HUNG KAI CENTRE, WANCHAI, HONGKONG

NOTE :  
 1. ALL DIMENSIONS ARE IN mm.  
 2. ALL ELEVATIONS ARE VIEWED FROM OUTSIDE.  
 3. ALL DIMENSIONS TO BE VERIFIED ON SITE BEFORE FABRICATION.

LEGEND :  
 (X1) -- DETAIL MARK NO.  
 (X001) -- REFER SHEET NO.  
 1. F.F.L. -- FINISHED FLOOR LEVEL  
 2. S.F.L. -- STRUCTURAL FLOOR LEVEL  
 3. (R) -- REVERSED DETAIL  
 4. GLASS LEGEND  
 G1 -- 8mmHS+12mm AIR GAP+10mmTP THK. I.G.U.  
 G2 -- 8mmHS+12mm AIR GAP+8mmTP THK. I.G.U.  
 G8 -- 6mm CRYSTAL GREY TP+1.52PVB+6mm CLEAR TP

NO.	DATE	REVISED	BY

JOB NO. : J-859  
 PROJECT : PROPOSED RESIDENTIAL / COMMERCIAL DEVELOPMENT AT NKIL NO.6551 KAI TAK AREA 4C, SITE 3 KAI TAK, KOWLOON

TITLE : ALUM. WINDOW SECTION TYPICAL LOCK & HINGES DETAIL

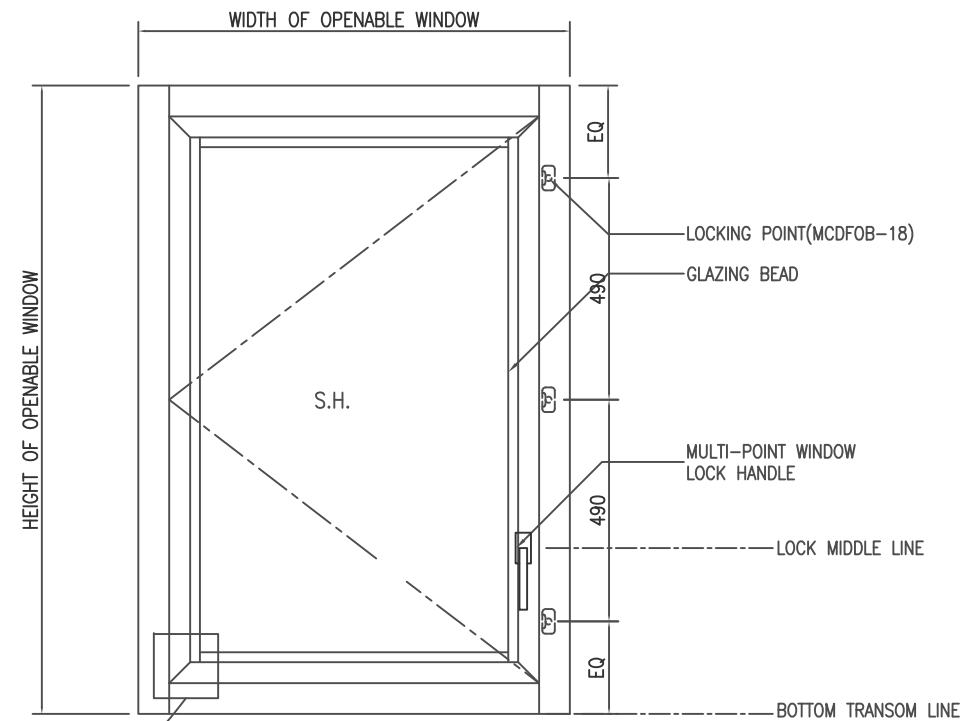
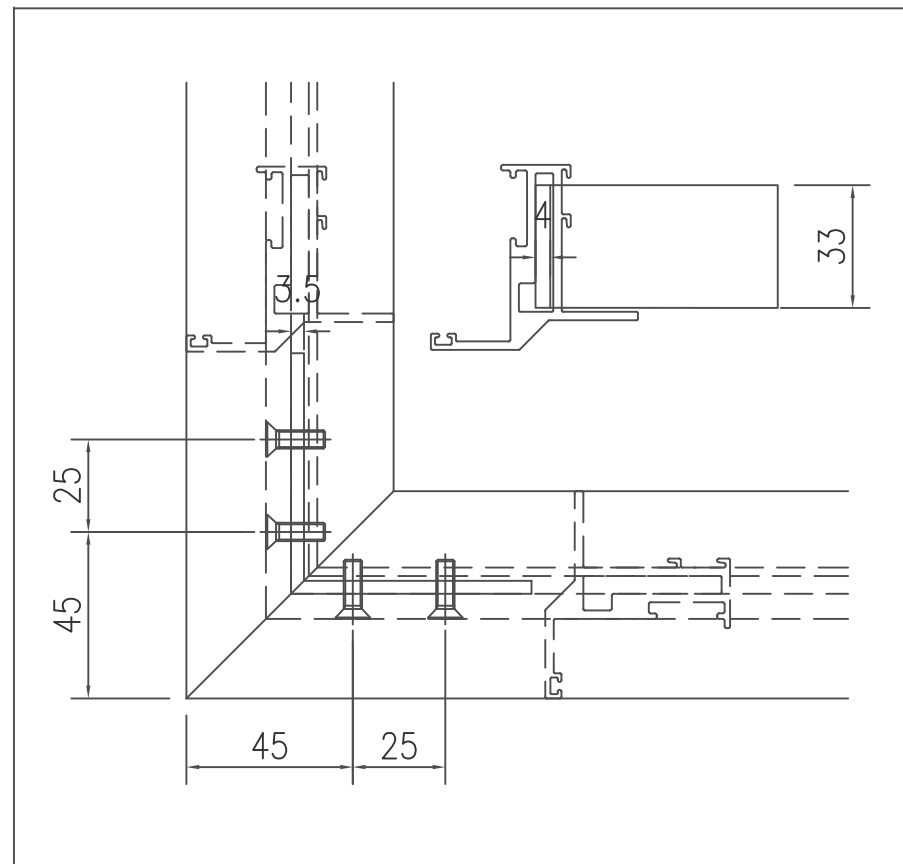
DATE : 10-Nov-21 SCALE : 1:2 (A3)

DRAWN BY : LHR CHECKED BY :

**美特鋁質有限公司**  
**MIDI ALUMINIUM FABRICATOR LTD.**  
 Units 6-8, Sunray Industrial Centre, 1/F  
 610 Cha Kwo Ling Road, Kowloon  
 Tel:23489211-4 Fax:(852)2727666

DWG NO. : J859-SD-PW-DT81 REV. : -

# 50 ALUM. WINDOW



01 TYPICAL SECTION

S.F.L.

B.D. REF :

ARCHITECT :  
**WT** WONG TUNG & PARTNERS LIMITED  
 ARCHITECTS & PLANNERS

STRUCTURAL ENGINEER :  
**SUN HUNG KAI**  
 ARCHITECTS AND ENGINEERS LTD.  
 SUN HUNG KAI CENTRE, WANCHAI, HONGKONG  
 TEL. 28278111 FAX. 28272884

FACADE CONSULTANT:  
**α** ALPHA CONSULTING LIMITED  
 Steel Structure & Facade Specialist

MAIN CONTRACTOR :  
 Sanfield Engineering  
 Construction Ltd.

CLIENT :  
**SUN HUNG KAI**  
 REAL ESTATE AGENCY LTD.  
 42/F SUN HUNG KAI CENTRE, WANCHAI, HONGKONG

NOTE :  
 1. ALL DIMENSIONS ARE IN mm.  
 2. ALL ELEVATIONS ARE VIEWED FROM OUTSIDE.  
 3. ALL DIMENSIONS TO BE VERIFIED ON SITE BEFORE FABRICATION.

LEGEND :  
 (X1) — DETAIL MARK NO.  
 (X001) — REFER SHEET NO.  
 1. F.F.L. -- FINISHED FLOOR LEVEL  
 2. S.F.L. -- STRUCTURAL FLOOR LEVEL  
 3. (R) -- REVERSED DETAIL  
 4. GLASS LEGEND  
 G1 -- 8mmHS+12mm AIR GAP+10mmTP THK. I.G.U.  
 G2 -- 8mmHS+12mm AIR GAP+8mmTP THK. I.G.U.  
 G8 -- 6mm CRYSTAL GREY TP+1.52PVB+6mm CLEAR TP

NO.	DATE	REVISED	BY

JOB NO. : J-859  
 PROJECT :  
 PROPOSED RESIDENTIAL / COMMERCIAL  
 DEVELOPMENT AT NKIL NO.6551 KAI  
 TAK AREA 4C, SITE 3  
 KAI TAK, KOWLOON

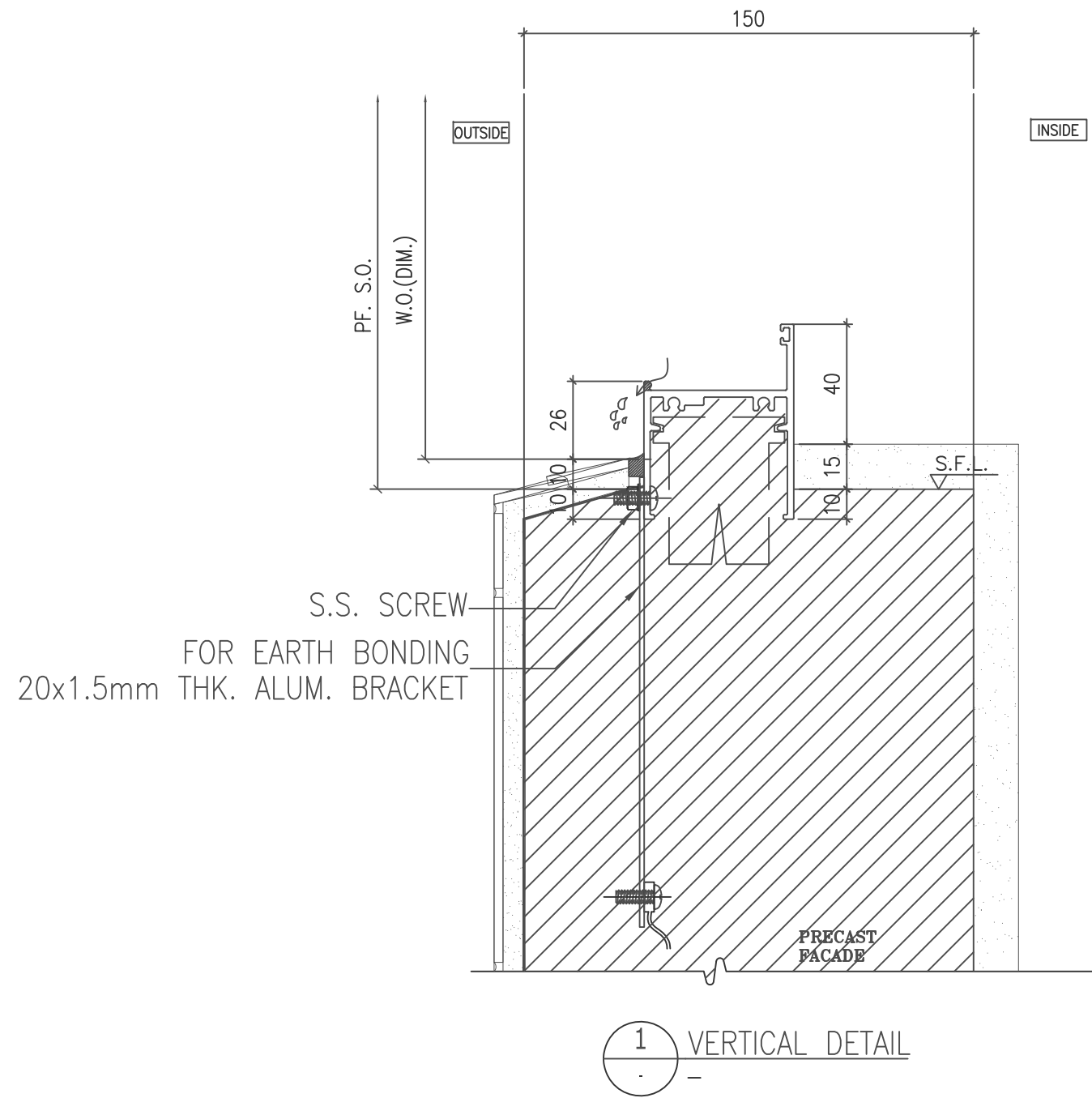
TITLE :  
 ALUM. WINDOW SECTION  
 TYPICAL LOCK & HINGES DETAIL

DATE : 10-Nov-21 SCALE : 1:2 (A3)

DRAWN BY : LHR CHECKED BY :

**美特鋁質有限公司**  
**MIDI ALUMINIUM FABRICATOR LTD.**  
 Units 6-8, Sunray Industrial Centre, 1/F  
 610 Cha Kwo Ling Road, Kowloon  
 Tel:23489211-4 Fax:(852)2727666

DWG NO. : J859-SD-PW-DT82 REV. : -



B.D. REF :  
 . . . . .

ARCHITECT :  
**WT** WONG TUNG & PARTNERS LIMITED  
 ARCHITECTS & PLANNERS

STRUCTURAL ENGINEER :  
**SUN HUNG KAI**  
 ARCHITECTS AND ENGINEERS LTD.  
 SUN HUNG KAI CENTRE, WANCHAI, HONGKONG  
 TEL. 28278111 FAX. 28272884

FACADE CONSULTANT:  
**α** ALPHA CONSULTING LIMITED  
 Steel Structure & Facade Specialist

MAIN CONTRACTOR :  
 Sanfield Engineering  
 Construction Ltd.

CLIENT :  
**SUN HUNG KAI**  
 REAL ESTATE AGENCY LTD.  
 42/F SUN HUNG KAI CENTRE, WANCHAI, HONGKONG

NOTE :  
 1. ALL DIMENSIONS ARE IN mm.  
 2. ALL ELEVATIONS ARE VIEWED FROM OUTSIDE.  
 3. ALL DIMENSIONS TO BE VERIFIED ON SITE BEFORE FABRICATION.

LEGEND :  
 (X1) — DETAIL MARK NO.  
 (X001) — REFER SHEET NO.

1. F.F.L. -- FINISHED FLOOR LEVEL  
 2. S.F.L. -- STRUCTURAL FLOOR LEVEL  
 3. (R) -- REVERSED DETAIL  
 4. GLASS LEGEND  
 G1 -- 8mmHS+12mm AIR GAP+10mmTP THK. I.G.U.  
 G2 -- 8mmHS+12mm AIR GAP+8mmTP THK. I.G.U.  
 G8 -- 6mm CRYSTAL GREY TP+1.52PVB+6mm CLEAR TP

NO.	DATE	REVISED	BY

JOB NO. : J-859  
 PROJECT :  
 PROPOSED RESIDENTIAL / COMMERCIAL  
 DEVELOPMENT AT NKIL NO.6551 KAI  
 TAK AREA 4C, SITE 3  
 KAI TAK, KOWLOON

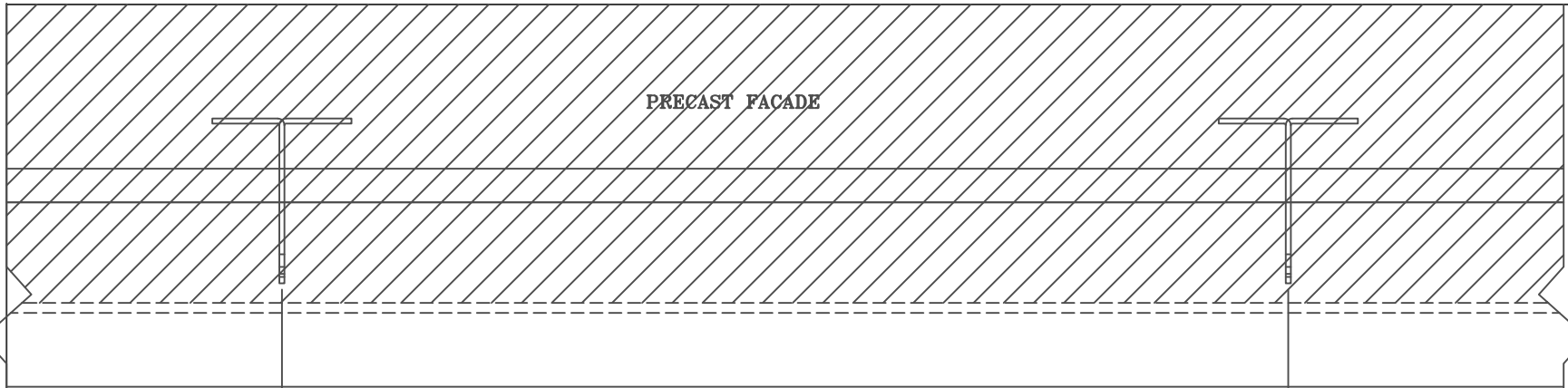
TITLE :  
 TYPICAL EARTHING  
 BONDING DETAILS OF PRECAST

DATE : 10-Nov-21 SCALE : 1:2 (A3)

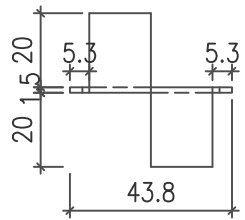
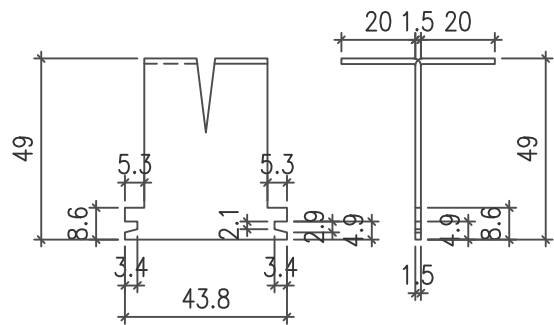
DRAWN BY : LHR CHECKED BY :

**美特鋁質有限公司**  
**MIDI ALUMINIUM FABRICATOR LTD.**  
 Units 6-8, Sunray Industrial Centre, 1/F  
 610 Cha Kwo Ling Road, Kowloon  
 Tel:23489211-4 Fax:(852)2727666

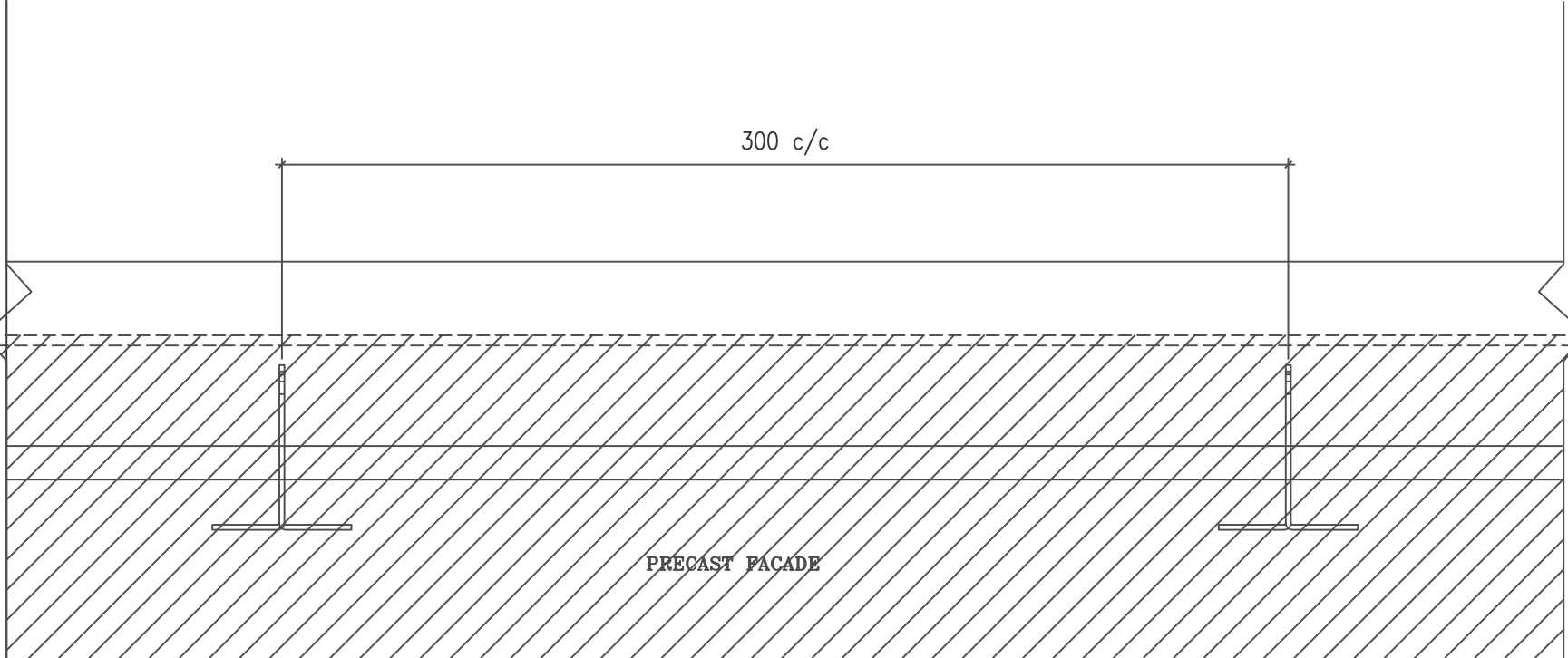
DWG NO. : J859-SD-PW-DT83 REV. : -



300 c/c

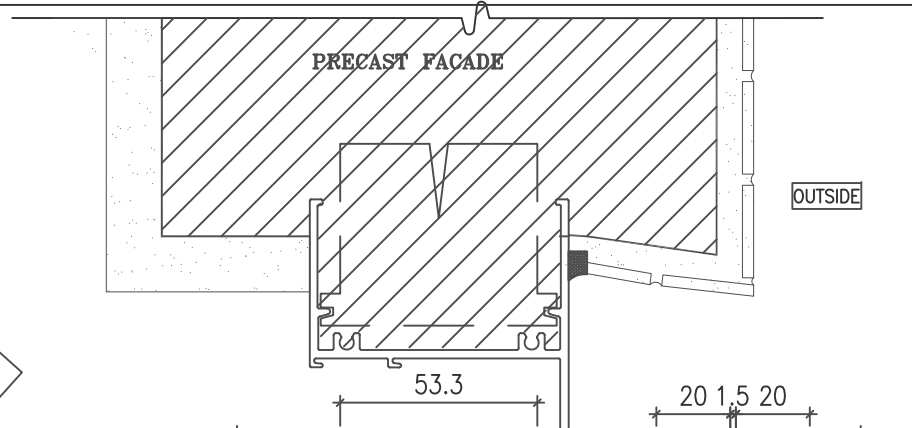


3 HORIZONTAL DETAIL

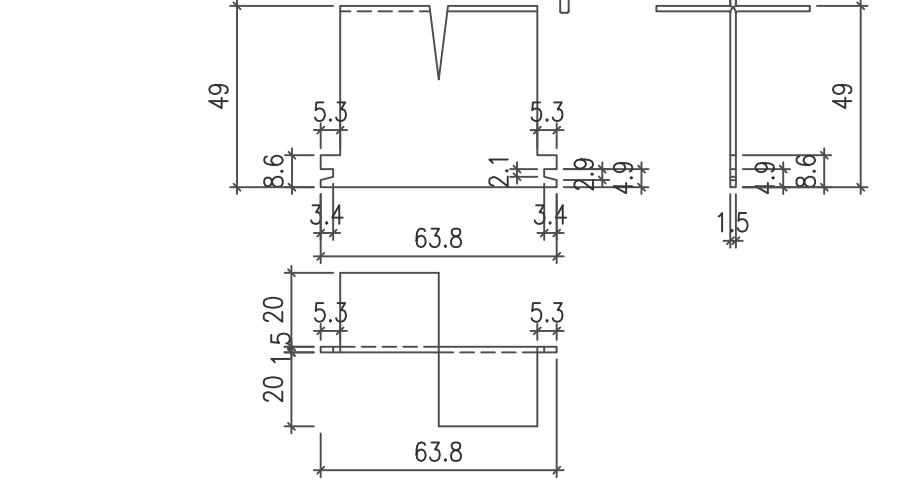


300 c/c

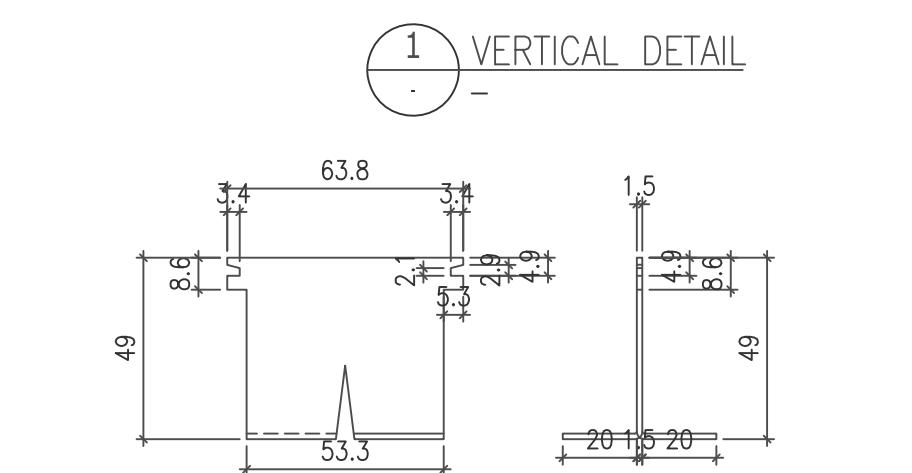
PRECAST FACADE



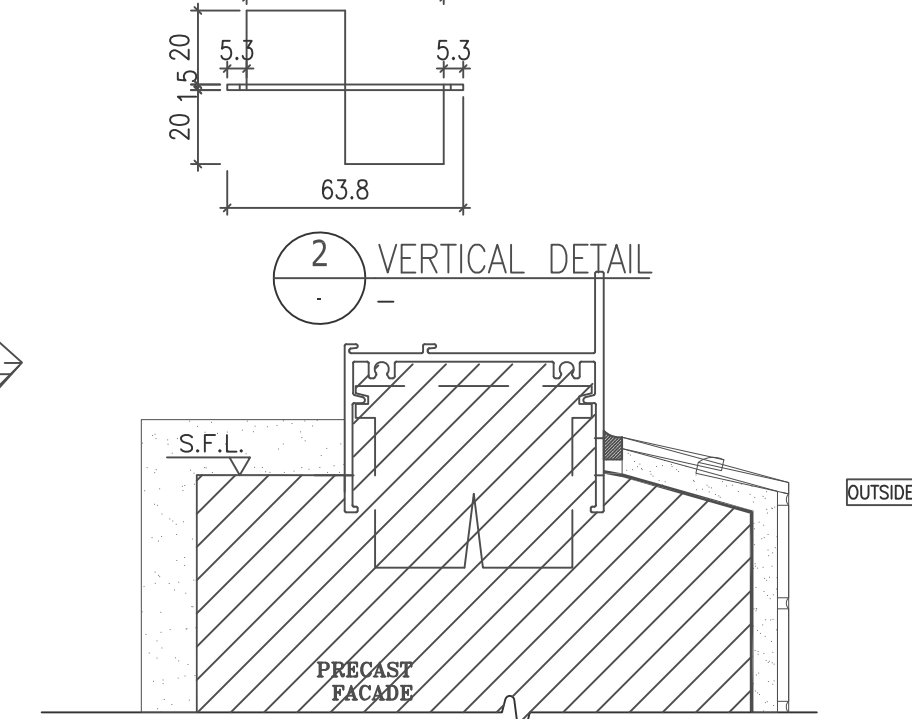
1 VERTICAL DETAIL



2 VERTICAL DETAIL





3 VERTICAL DETAIL




4 VERTICAL DETAIL


B.D. REF :

ARCHITECT :  
 **WONG TUNG & PARTNERS LIMITED**  
 ARCHITECTS & PLANNERS

STRUCTURAL ENGINEER :  
 **SUN HUNG KAI**  
 ARCHITECTS AND ENGINEERS LTD.  
 SUN HUNG KAI CENTRE, WANCHAI, HONGKONG  
 TEL: 28278111 FAX: 28272884

FACADE CONSULTANT:  
 **ALPHA CONSULTING LIMITED**  
 Steel Structure & Facade Specialist

MAIN CONTRACTOR :  
**Sanfield Engineering Construction Ltd.**

CLIENT :  
 **SUN HUNG KAI**  
 REAL ESTATE AGENCY LTD.  
 42/F SUN HUNG KAI CENTRE, WANCHAI, HONGKONG

NOTE :  
 1. ALL DIMENSIONS ARE IN mm.  
 2. ALL ELEVATIONS ARE VIEWED FROM OUTSIDE.  
 3. ALL DIMENSIONS TO BE VERIFIED ON SITE BEFORE FABRICATION.

LEGEND :  
 (x1) — DETAIL MARK NO.  
 (x001) — REFER SHEET NO.

1. F.F.L. — FINISHED FLOOR LEVEL  
 2. S.F.L. — STRUCTURAL FLOOR LEVEL  
 3. (R) — REVERSED DETAIL  
 4. GLASS LEGEND  
 G1 — 8mmHS+12mm AIR GAP+10mmTP THK. I.G.U.  
 G2 — 8mmHS+12mm AIR GAP+8mmTP THK. I.G.U.  
 G8 — 6mm CRYSTAL GREY TP+1.52PVB+6mm CLEAR TP

NO.	DATE	REVISED	BY


JOB NO. : J-859

PROJECT :  
 PROPOSED RESIDENTIAL / COMMERCIAL DEVELOPMENT AT NKIL NO.6551 KAI TAK AREA 4C, SITE 3 KAI TAK, KOWLOON

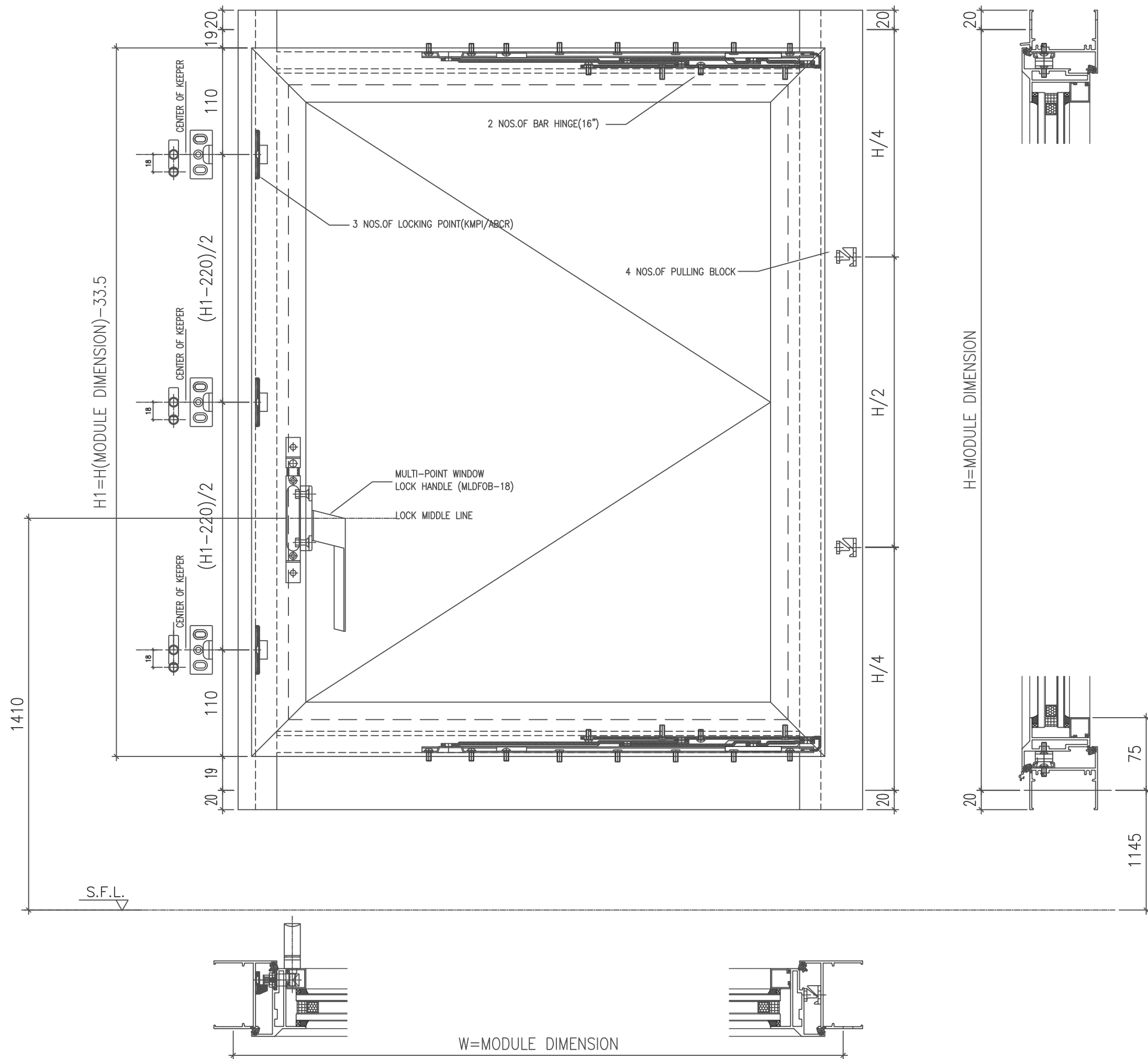
TITLE :  
 G.M.S FIXING LUG TYPICAL DETAIL FOR ALUM. WINDOW

DATE : 10-Nov-21 SCALE : 1:2 (A3)

DRAWN BY : LHR CHECKED BY :

 **美特鋁質有限公司**  
**MIDI ALUMINIUM FABRICATOR LTD.**  
 Units 6-8, Sunray Industrial Centre, 1/F  
 610 Cha Kwo Ling Road, Kowloon  
 Tel:23489211-4 Fax:(852)2727666

DWG NO. : J859-SD-PW-DT84 REV. : -



B.D. REF :  
 . . . . .

ARCHITECT :  
**WT** WONG TUNG & PARTNERS LIMITED  
 ARCHITECTS & PLANNERS

STRUCTURAL ENGINEER :  
**S** SUN HUNG KAI  
 ARCHITECTS AND ENGINEERS LTD.  
 SUN HUNG KAI CENTRE, WANCHAI, HONGKONG  
 TEL. 28278111 FAX. 28272884

FACADE CONSULTANT:  
**α** ALPHA CONSULTING LIMITED  
 Steel Structure & Facade Specialist

MAIN CONTRACTOR :  
 Sanfield Engineering  
 Construction Ltd.

CLIENT :  
**S** SUN HUNG KAI  
 REAL ESTATE AGENCY LTD.  
 42/F SUN HUNG KAI CENTRE, WANCHAI, HONGKONG

NOTE :  
 1. ALL DIMENSIONS ARE IN mm.  
 2. ALL ELEVATIONS ARE VIEWED FROM OUTSIDE.  
 3. ALL DIMENSIONS TO BE VERIFIED ON SITE BEFORE FABRICATION.

LEGEND :  
 (x1) — DETAIL MARK NO.  
 (x001) — REFER SHEET NO.  
 1. F.F.L. — FINISHED FLOOR LEVEL  
 2. S.F.L. — STRUCTURAL FLOOR LEVEL  
 3. (R) — REVERSED DETAIL  
 4. GLASS LEGEND  
 G1 — 8mmHS+12mm AIR GAP+10mmTP THK. I.G.U.  
 G2 — 8mmHS+12mm AIR GAP+8mmTP THK. I.G.U.  
 G8 — 6mm CRYSTAL GREY TP+1.52PVB+6mm CLEAR TP

NO.	DATE	REVISED	BY

JOB NO. : J-859  
 PROJECT : PROPOSED RESIDENTIAL / COMMERCIAL DEVELOPMENT AT NKIL NO.6551 KAI TAK AREA 4C, SITE 3 KAI TAK, KOWLOON

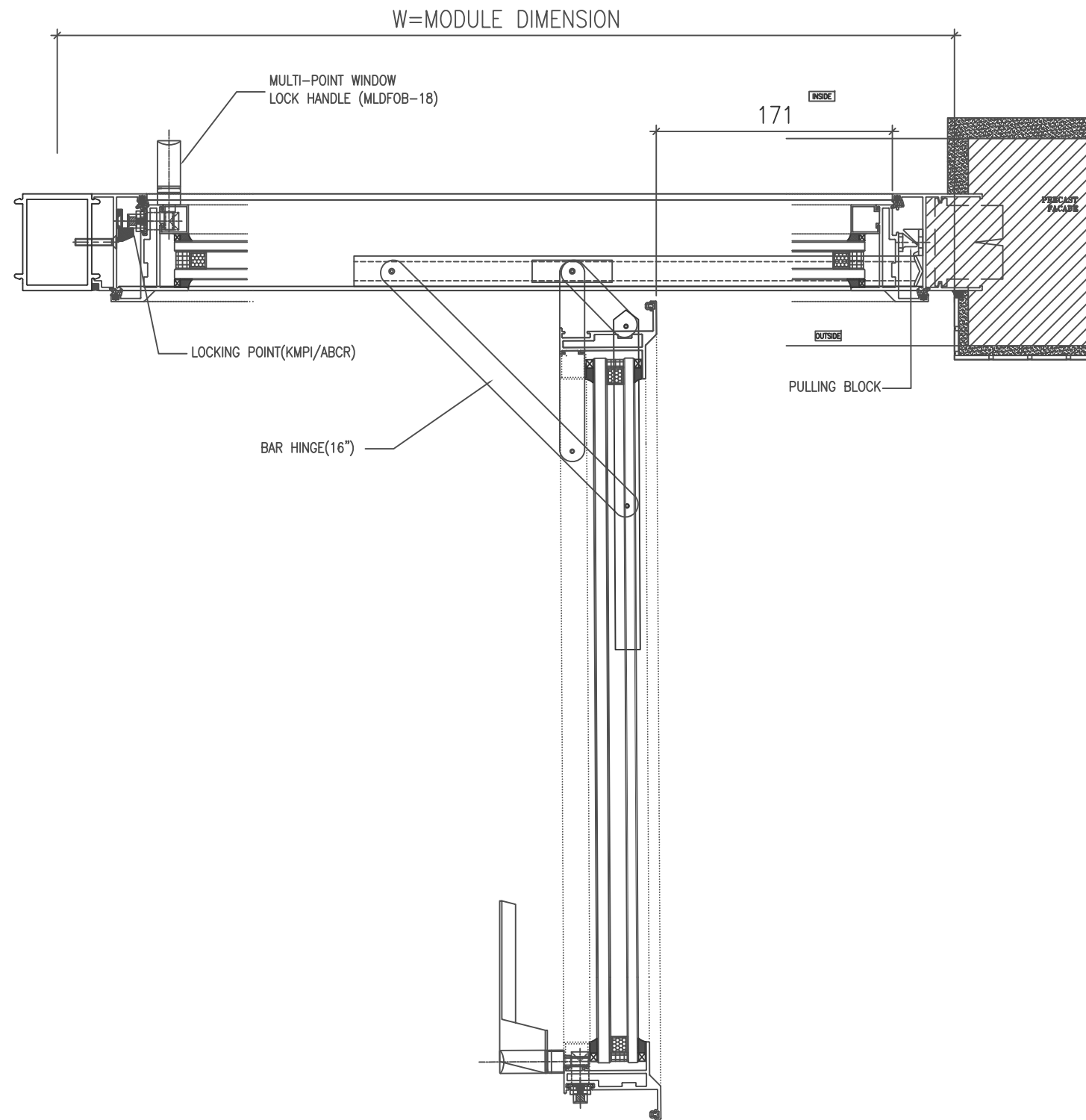
TITLE : TYPICAL EARTHING BONDING DETAILS OF PRECAST

DATE : 10-Nov-21 SCALE : 1:4 (A3)

DRAWN BY : LHR CHECKED BY :

**美特鋁質有限公司**  
**MIDI ALUMINIUM FABRICATOR LTD.**  
 Units 6-8, Sunray Industrial Centre, 1/F  
 610 Cha Kwo Ling Road, Kowloon  
 Tel:23489211-4 Fax:(852)2727666

DWG NO. : J859-SD-PW-DT85 REV. : -



B.D. REF :  
 .....

ARCHITECT :  
**WT** WONG TUNG & PARTNERS LIMITED  
 ARCHITECTS & PLANNERS

STRUCTURAL ENGINEER :  
**SUN HUNG KAI**  
 ARCHITECTS AND ENGINEERS LTD.  
 SUN HUNG KAI CENTRE, WANCHAI, HONGKONG  
 TEL. 28278111 FAX. 28272884

FACADE CONSULTANT:  
**α** ALPHA CONSULTING LIMITED  
 Steel Structure & Facade Specialist

MAIN CONTRACTOR :  
 Sanfield Engineering  
 Construction Ltd.

CLIENT :  
**SUN HUNG KAI**  
 REAL ESTATE AGENCY LTD.  
 42/F SUN HUNG KAI CENTRE, WANCHAI, HONGKONG

NOTE :  
 1. ALL DIMENSIONS ARE IN mm.  
 2. ALL ELEVATIONS ARE VIEWED FROM OUTSIDE.  
 3. ALL DIMENSIONS TO BE VERIFIED ON SITE BEFORE FABRICATION.

LEGEND :  
 (x1) — DETAIL MARK NO.  
 (x001) — REFER SHEET NO.  
 1. F.F.L. -- FINISHED FLOOR LEVEL  
 2. S.F.L. -- STRUCTURAL FLOOR LEVEL  
 3. (R) -- REVERSED DETAIL  
 4. GLASS LEGEND  
 G1 -- 8mmHS+12mm AIR GAP+10mmTP THK. I.G.U.  
 G2 -- 8mmHS+12mm AIR GAP+8mmTP THK. I.G.U.  
 G8 -- 6mm CRYSTAL GREY TP+1.52PVB+6mm CLEAR TP

NO.	DATE	REVISED	BY
-----	------	---------	----

JOB NO. : J-859  
 PROJECT :  
 PROPOSED RESIDENTIAL / COMMERCIAL  
 DEVELOPMENT AT NKIL NO.6551 KAI  
 TAK AREA 4C, SITE 3  
 KAI TAK, KOWLOON

TITLE :  
 TYPICAL EARTHING  
 BONDING DETAILS OF PRECAST

DATE : 10-Nov-21 SCALE : 1:4 (A3)

DRAWN BY : LHR CHECKED BY :

**美特鋁質有限公司**  
**MIDI ALUMINIUM FABRICATOR LTD.**  
 Units 6-8, Sunray Industrial Centre, 1/F  
 610 Cha Kwo Ling Road, Kowloon  
 Tel:23489211-4 Fax:(852)2727666

DWG NO. : J859-SD-PW-DT86 REV. : -

**PROJECT :**

1

**PROPOSED RESIDENTIAL / COMMERCIAL  
DEVELOPMENT AT NKIL NO.6551 KAI  
TAK AREA 4C, SITE 3  
KAI TAK, KOWLOON**

**SHOPDRAWING SUBMISSION FOR  
PRE-CAST ALUM. WINDOW & LOUVRE  
(TOWER 1, TOWER 2)**

**DATE : 23 - Nov. - 2021**

 **美特鋁質有限公司**  
**MIDI ALUMINIUM FABRICATOR LTD.**

Units 6-8, Sunray Industrial Centre, 1/F  
610 Cha Kwo Ling Road, Kowloon  
Tel:23489211-4 Fax:(852)27727666

DWG NO. : J859-SD-PW-0000

REV. : -





MEMBER: IW-17  
GRADE: 6063-T6  
FINISH: PVF2 3-COATING

**PROPERTIES**

REGIONS	VALUES
Area (mm <sup>2</sup> ):	479.3
Perimeter (mm):	413.7
Bounding Box - X (mm):	-37.7 to 32.3
Bounding Box - Y (mm):	-33.9 to 31.1
Centroid - X (mm):	0.0
Centroid - Y (mm):	0.0
Moments of inertia - X (mm <sup>4</sup> ):	101200.9
Moments of inertia - Y (mm <sup>4</sup> ):	30745.1
Product of inertia - XY (mm <sup>4</sup> ):	-32719.3
Radius of gyration - X (mm):	14.9
Radius of gyration - Y (mm):	20.8
Principal moments along X-Y (mm <sup>4</sup> ):	87080.0 along (1.0 0.3)
Principal moments along Y-X (mm <sup>4</sup> ):	38137.0 along (-0.1 1.0)
Elastic Modulus - Zx (mm <sup>2</sup> ):	1 / I - mm= 2069.9
Elastic Modulus - Zy (mm <sup>2</sup> ):	1 / I - mm= 1039.4

MEMBER: AW-18  
GRADE: 6063-T6  
FINISH: PVF2 3-COATING

**PROPERTIES**

REGIONS	VALUES
Area (mm <sup>2</sup> ):	330.8
Perimeter (mm):	216.5
Bounding Box - X (mm):	-25.5 to 25.5
Bounding Box - Y (mm):	-26.4 to 43.6
Centroid - X (mm):	0.0
Centroid - Y (mm):	0.0
Moments of inertia - X (mm <sup>4</sup> ):	215308.1
Moments of inertia - Y (mm <sup>4</sup> ):	23679.9
Product of inertia - XY (mm <sup>4</sup> ):	-483.9
Radius of gyration - X (mm):	28.5
Radius of gyration - Y (mm):	6.1
Principal moments along X-Y (mm <sup>4</sup> ):	215442.0 along (1.0 0.0)
Principal moments along Y-X (mm <sup>4</sup> ):	33545.7 along (0.0 1.0)
Elastic Modulus - Zx (mm <sup>2</sup> ):	1 / I - mm= 3011.9
Elastic Modulus - Zy (mm <sup>2</sup> ):	1 / I - mm= 1325.3

MEMBER: AW-19  
GRADE: 6061-T6  
FINISH: MILL

**PROPERTIES**

REGIONS	VALUES
Area (mm <sup>2</sup> ):	424.8
Perimeter (mm):	260.0
Bounding Box - X (mm):	-17.6 to 47.4
Bounding Box - Y (mm):	-17.9 to 47.4
Centroid - X (mm):	0.0
Centroid - Y (mm):	0.0
Moments of inertia - X (mm <sup>4</sup> ):	194005.5
Moments of inertia - Y (mm <sup>4</sup> ):	194005.5
Product of inertia - XY (mm <sup>4</sup> ):	100334.8
Radius of gyration - X (mm):	20.4
Radius of gyration - Y (mm):	20.4
Principal moments along X-Y (mm <sup>4</sup> ):	384343.0 along (0.7 0.3)
Principal moments along Y-X (mm <sup>4</sup> ):	713083.0 along (-0.7 0.3)
Elastic Modulus - Zx (mm <sup>2</sup> ):	1 / I - mm= 3068.8
Elastic Modulus - Zy (mm <sup>2</sup> ):	1 / I - mm= 3068.8

MEMBER: AW-20  
GRADE: 6061-T6  
FINISH: MILL

**PROPERTIES**

REGIONS	VALUES
Area (mm <sup>2</sup> ):	364.8
Perimeter (mm):	260.0
Bounding Box - X (mm):	-17.9 to 47.1
Bounding Box - Y (mm):	-17.9 to 47.1
Centroid - X (mm):	0.0
Centroid - Y (mm):	0.0
Moments of inertia - X (mm <sup>4</sup> ):	235473.1
Moments of inertia - Y (mm <sup>4</sup> ):	235473.1
Product of inertia - XY (mm <sup>4</sup> ):	138208.8
Radius of gyration - X (mm):	20.3
Radius of gyration - Y (mm):	20.3
Principal moments along X-Y (mm <sup>4</sup> ):	371088.0 along (0.7 0.3)
Principal moments along Y-X (mm <sup>4</sup> ):	83048.0 along (-0.7 0.3)
Elastic Modulus - Zx (mm <sup>2</sup> ):	1 / I - mm= 4837.8
Elastic Modulus - Zy (mm <sup>2</sup> ):	1 / I - mm= 4837.8

MEMBER: AW-21  
GRADE: 6063-T6  
FINISH:

**PROPERTIES**

REGIONS	VALUES
Area (mm <sup>2</sup> ):	83.1
Perimeter (mm):	144.6
Bounding Box - X (mm):	-11.0 to 11.0
Bounding Box - Y (mm):	-0.0 to 25.1
Centroid - X (mm):	0.0
Centroid - Y (mm):	0.0
Moments of inertia - X (mm <sup>4</sup> ):	4434.9
Moments of inertia - Y (mm <sup>4</sup> ):	2914.8
Product of inertia - XY (mm <sup>4</sup> ):	136.1
Radius of gyration - X (mm):	7.3
Radius of gyration - Y (mm):	6.4
Principal moments along X-Y (mm <sup>4</sup> ):	4423.7 along (1.0 -0.1)
Principal moments along Y-X (mm <sup>4</sup> ):	2928.0 along (0.1 1.0)
Elastic Modulus - Zx (mm <sup>2</sup> ):	1 / I - mm= 2011.9
Elastic Modulus - Zy (mm <sup>2</sup> ):	1 / I - mm= 1566.9

MEMBER: AW-22  
GRADE: 6063-T6  
FINISH: PVF2 3-COATING

**PROPERTIES**

REGIONS	VALUES
Area (mm <sup>2</sup> ):	330.64
Perimeter (mm):	238.46
Bounding Box - X (mm):	-32.4 to 33.4
Bounding Box - Y (mm):	-24.9 to 25.1
Centroid - X (mm):	0.0
Centroid - Y (mm):	0.0
Moments of inertia - X (mm <sup>4</sup> ):	80239.84
Moments of inertia - Y (mm <sup>4</sup> ):	131482.97
Product of inertia - XY (mm <sup>4</sup> ):	105772.83
Radius of gyration - X (mm):	18.52
Radius of gyration - Y (mm):	19.84
Principal moments along X-Y (mm <sup>4</sup> ):	3148.12 along (0.77 -0.84)
Principal moments along Y-X (mm <sup>4</sup> ):	218987.49 along (0.84 0.77)
Elastic Modulus - Zx (mm <sup>2</sup> ):	1 / I - mm= 3048.1
Elastic Modulus - Zy (mm <sup>2</sup> ):	1 / I - mm= 3041.11

MEMBER: AW-23  
GRADE: 6063-T6  
FINISH: PVF2 3-COATING

**PROPERTIES**

REGIONS	VALUES
Area (mm <sup>2</sup> ):	622.6
Perimeter (mm):	355.2
Bounding Box - X (mm):	-37.2 to 22.8
Bounding Box - Y (mm):	-40.2 to 40.8
Centroid - X (mm):	0.0
Centroid - Y (mm):	0.0
Moments of inertia - X (mm <sup>4</sup> ):	211500.6
Moments of inertia - Y (mm <sup>4</sup> ):	233657.5
Product of inertia - XY (mm <sup>4</sup> ):	-6924.9
Radius of gyration - X (mm):	18.4
Radius of gyration - Y (mm):	18.4
Principal moments along X-Y (mm <sup>4</sup> ):	200709.7 along (1.0 0.3)
Principal moments along Y-X (mm <sup>4</sup> ):	330288.4 along (-0.3 1.0)
Elastic Modulus - Zx (mm <sup>2</sup> ):	1 / I - mm= 3168.1
Elastic Modulus - Zy (mm <sup>2</sup> ):	1 / I - mm= 4877.4

MEMBER: AW-24  
GRADE: 6063-T6  
FINISH: PVF2 3-COATING

**PROPERTIES**

REGIONS	VALUES
Area (mm <sup>2</sup> ):	384.1
Perimeter (mm):	273.9
Bounding Box - X (mm):	-36.1 to 34.9
Bounding Box - Y (mm):	-34.8 to 35.4
Centroid - X (mm):	0.0
Centroid - Y (mm):	0.0
Moments of inertia - X (mm <sup>4</sup> ):	167824.2
Moments of inertia - Y (mm <sup>4</sup> ):	212905.7
Product of inertia - XY (mm <sup>4</sup> ):	180228.9
Radius of gyration - X (mm):	20.9
Radius of gyration - Y (mm):	23.5
Principal moments along X-Y (mm <sup>4</sup> ):	3382.0 along (0.7 0.3)
Principal moments along Y-X (mm <sup>4</sup> ):	378192.9 along (-0.7 0.7)
Elastic Modulus - Zx (mm <sup>2</sup> ):	1 / I - mm= 4127.9
Elastic Modulus - Zy (mm <sup>2</sup> ):	1 / I - mm= 6067.3

MEMBER: AW-25  
GRADE: 6063-T6  
FINISH: PVF2 3-COATING

**PROPERTIES**

REGIONS	VALUES
Area (mm <sup>2</sup> ):	714.6
Perimeter (mm):	615.9
Bounding Box - X (mm):	-47.4 to 32.6
Bounding Box - Y (mm):	-40.2 to 40.8
Centroid - X (mm):	0.0
Centroid - Y (mm):	0.0
Moments of inertia - X (mm <sup>4</sup> ):	230294.3
Moments of inertia - Y (mm <sup>4</sup> ):	52079.2
Product of inertia - XY (mm <sup>4</sup> ):	-6882.4
Radius of gyration - X (mm):	18.3
Radius of gyration - Y (mm):	22.4
Principal moments along X-Y (mm <sup>4</sup> ):	230288.7 along (1.0 0.0)
Principal moments along Y-X (mm <sup>4</sup> ):	321854.7 along (0.0 1.0)
Elastic Modulus - Zx (mm <sup>2</sup> ):	1 / I - mm= 3006.0
Elastic Modulus - Zy (mm <sup>2</sup> ):	1 / I - mm= 10079.3

MEMBER: AW-26  
GRADE: 6063-T6  
FINISH: PVF2 3-COATING

**PROPERTIES**

REGIONS	VALUES
Area (mm <sup>2</sup> ):	894.9
Perimeter (mm):	685.3
Bounding Box - X (mm):	-38.6 to 31.4
Bounding Box - Y (mm):	-40.5 to 40.5
Centroid - X (mm):	0.0
Centroid - Y (mm):	0.0
Moments of inertia - X (mm <sup>4</sup> ):	227208.4
Moments of inertia - Y (mm <sup>4</sup> ):	494138.9
Product of inertia - XY (mm <sup>4</sup> ):	8.8
Radius of gyration - X (mm):	16.5
Radius of gyration - Y (mm):	24.4
Principal moments along X-Y (mm <sup>4</sup> ):	227208.4 along (1.0 0.0)
Principal moments along Y-X (mm <sup>4</sup> ):	494138.9 along (0.0 1.0)
Elastic Modulus - Zx (mm <sup>2</sup> ):	1 / I - mm= 3668.1
Elastic Modulus - Zy (mm <sup>2</sup> ):	1 / I - mm= 12538.4

MEMBER: AW-27  
GRADE: 6063-T6  
FINISH: PVF2 3-COATING

**PROPERTIES**

REGIONS	VALUES
Area (mm <sup>2</sup> ):	622.6
Perimeter (mm):	355.2
Bounding Box - X (mm):	-37.2 to 22.8
Bounding Box - Y (mm):	-40.2 to 40.8
Centroid - X (mm):	0.0
Centroid - Y (mm):	0.0
Moments of inertia - X (mm <sup>4</sup> ):	211500.6
Moments of inertia - Y (mm <sup>4</sup> ):	233657.5
Product of inertia - XY (mm <sup>4</sup> ):	-6924.9
Radius of gyration - X (mm):	18.4
Radius of gyration - Y (mm):	18.4
Principal moments along X-Y (mm <sup>4</sup> ):	200709.7 along (1.0 0.3)
Principal moments along Y-X (mm <sup>4</sup> ):	330288.4 along (-0.3 1.0)
Elastic Modulus - Zx (mm <sup>2</sup> ):	1 / I - mm= 3168.1
Elastic Modulus - Zy (mm <sup>2</sup> ):	1 / I - mm= 4877.4

MEMBER: AW-28  
GRADE: 6063-T6  
FINISH: PVF2 3-COATING

**PROPERTIES**

REGIONS	VALUES
Area (mm <sup>2</sup> ):	384.1
Perimeter (mm):	273.9
Bounding Box - X (mm):	-36.1 to 34.9
Bounding Box - Y (mm):	-34.8 to 35.4
Centroid - X (mm):	0.0
Centroid - Y (mm):	0.0
Moments of inertia - X (mm <sup>4</sup> ):	167824.2
Moments of inertia - Y (mm <sup>4</sup> ):	212905.7
Product of inertia - XY (mm <sup>4</sup> ):	180228.9
Radius of gyration - X (mm):	20.9
Radius of gyration - Y (mm):	23.5
Principal moments along X-Y (mm <sup>4</sup> ):	3382.0 along (0.7 0.3)
Principal moments along Y-X (mm <sup>4</sup> ):	378192.9 along (-0.7 0.7)
Elastic Modulus - Zx (mm <sup>2</sup> ):	1 / I - mm= 4127.9
Elastic Modulus - Zy (mm <sup>2</sup> ):	1 / I - mm= 6067.3

MEMBER: AW-29  
GRADE: 6063-T6  
FINISH: PVF2 3-COATING

**PROPERTIES**

REGIONS	VALUES
Area (mm <sup>2</sup> ):	384.1
Perimeter (mm):	273.9
Bounding Box - X (mm):	-36.1 to 34.9
Bounding Box - Y (mm):	-34.8 to 35.4
Centroid - X (mm):	0.0
Centroid - Y (mm):	0.0
Moments of inertia - X (mm <sup>4</sup> ):	167824.2
Moments of inertia - Y (mm <sup>4</sup> ):	212905.7
Product of inertia - XY (mm <sup>4</sup> ):	180228.9
Radius of gyration - X (mm):	20.9
Radius of gyration - Y (mm):	23.5
Principal moments along X-Y (mm <sup>4</sup> ):	3382.0 along (0.7 0.3)
Principal moments along Y-X (mm <sup>4</sup> ):	378192.9 along (-0.7 0.7)
Elastic Modulus - Zx (mm <sup>2</sup> ):	1 / I - mm= 4127.9
Elastic Modulus - Zy (mm <sup>2</sup> ):	1 / I - mm= 6067.3

MEMBER: AW-30  
GRADE: 6063-T6  
FINISH: PVF2 3-COATING

**PROPERTIES**

REGIONS	VALUES
Area (mm <sup>2</sup> ):	714.6
Perimeter (mm):	615.9
Bounding Box - X (mm):	-47.4 to 32.6
Bounding Box - Y (mm):	-40.2 to 40.8
Centroid - X (mm):	0.0
Centroid - Y (mm):	0.0
Moments of inertia - X (mm <sup>4</sup> ):	230294.3
Moments of inertia - Y (mm <sup>4</sup> ):	52079.2
Product of inertia - XY (mm <sup>4</sup> ):	-6882.4
Radius of gyration - X (mm):	18.3
Radius of gyration - Y (mm):	22.4
Principal moments along X-Y (mm <sup>4</sup> ):	230288.7 along (1.0 0.0)
Principal moments along Y-X (mm <sup>4</sup> ):	321854.7 along (0.0 1.0)
Elastic Modulus - Zx (mm <sup>2</sup> ):	1 / I - mm= 3006.0
Elastic Modulus - Zy (mm <sup>2</sup> ):	1 / I - mm= 10079.3

MEMBER: AW-31  
GRADE: 6063-T6  
FINISH: PVF2 3-COATING

**PROPERTIES**

REGIONS	VALUES
Area (mm <sup>2</sup> ):	894.9
Perimeter (mm):	685.3
Bounding Box - X (mm):	-38.6 to 31.4
Bounding Box - Y (mm):	-40.5 to 40.5
Centroid - X (mm):	0.0
Centroid - Y (mm):	0.0
Moments of inertia - X (mm <sup>4</sup> ):	227208.4
Moments of inertia - Y (mm <sup>4</sup> ):	494138.9
Product of inertia - XY (mm <sup>4</sup> ):	8.8
Radius of gyration - X (mm):	16.5
Radius of gyration - Y (mm):	24.4
Principal moments along X-Y (mm <sup>4</sup> ):	227208.4 along (1.0 0.0)
Principal moments along Y-X (mm <sup>4</sup> ):	494138.9 along (0.0 1.0)
Elastic Modulus - Zx (mm <sup>2</sup> ):	1 / I - mm= 3668.1
Elastic Modulus - Zy (mm <sup>2</sup> ):	1 / I - mm= 12538.4

MEMBER: AW-32  
GRADE: 6063-T6  
FINISH:

**PROPERTIES**

REGIONS	VALUES
Area (mm <sup>2</sup> ):	384.1
Perimeter (mm):	273.9
Bounding Box - X (mm):	-36.1 to 34.9
Bounding Box - Y (mm):	-34.8 to 35.4
Centroid - X (mm):	0.0
Centroid - Y (mm):	0.0
Moments of inertia - X (mm <sup>4</sup> ):	167824.2
Moments of inertia - Y (mm <sup>4</sup> ):	212905.7
Product of inertia - XY (mm <sup>4</sup> ):	180228.9
Radius of gyration - X (mm):	20.9
Radius of gyration - Y (mm):	23.5
Principal moments along X-Y (mm <sup>4</sup> ):	3382.0 along (0.7 0.3)
Principal moments along Y-X (mm <sup>4</sup> ):	378192.9 along (-0.7 0.7)
Elastic Modulus - Zx (mm <sup>2</sup> ):	1 / I - mm= 4127.9
Elastic Modulus - Zy (mm <sup>2</sup> ):	1 / I - mm= 6067.3

B.D. REF :  
.....

ARCHITECT :  
**WT** WONG TUNG & PARTNERS LIMITED  
ARCHITECTS & PLANNERS

STRUCTURAL ENGINEER :  
**SUN HUNG KAI**  
ARCHITECTS AND ENGINEERS LTD.  
SUN HUNG KAI CENTRE, WANCHAI, HONGKONG  
TEL: 28278111 FAX: 28272884

FAÇADE CONSULTANT:  
**ALPHA CONSULTING LIMITED**  
Steel Structure & Façade Specialist

MAIN CONTRACTOR :  
**Sanfield Engineering Construction Ltd.**

CLIENT :  
**SUN HUNG KAI**  
REAL ESTATE AGENCY LTD.  
42/F SUN HUNG KAI CENTRE, WANCHAI, HONGKONG

NOTE :  
1. ALL DIMENSIONS ARE IN mm.  
2. ALL ELEVATIONS ARE VIEWED FROM OUTSIDE.  
3. ALL DIMENSIONS TO BE VERIFIED ON SITE BEFORE FABRICATION.

LEGEND :  
X1 --- DETAIL MARK NO.  
X001 --- REFER SHEET NO.  
1. F.F.L. --- FINISHED FLOOR LEVEL  
2. S.F.L. --- STRUCTURAL FLOOR LEVEL  
3. (R) --- REVERSED DETAIL  
4. GLASS LEGEND  
G1 --- 8mmHS+12mm AIR GAP+10mmTP THK. I.G.U.  
G2 --- 8mmHS+12mm AIR GAP+8mmTP THK. I.G.U.  
G8 --- 6mm CRYSTAL GREY TP+1.52PVB+6mm CLEAR TP

NO.	DATE	REVISED	BY
-----	------	---------	----

JOB NO. : J-859  
PROJECT : PROPOSED RESIDENTIAL / COMMERCIAL DEVELOPMENT AT NKIL NO.6551 KAI TAK AREA 4C, SITE 3 KAI TAK, KOWLOON

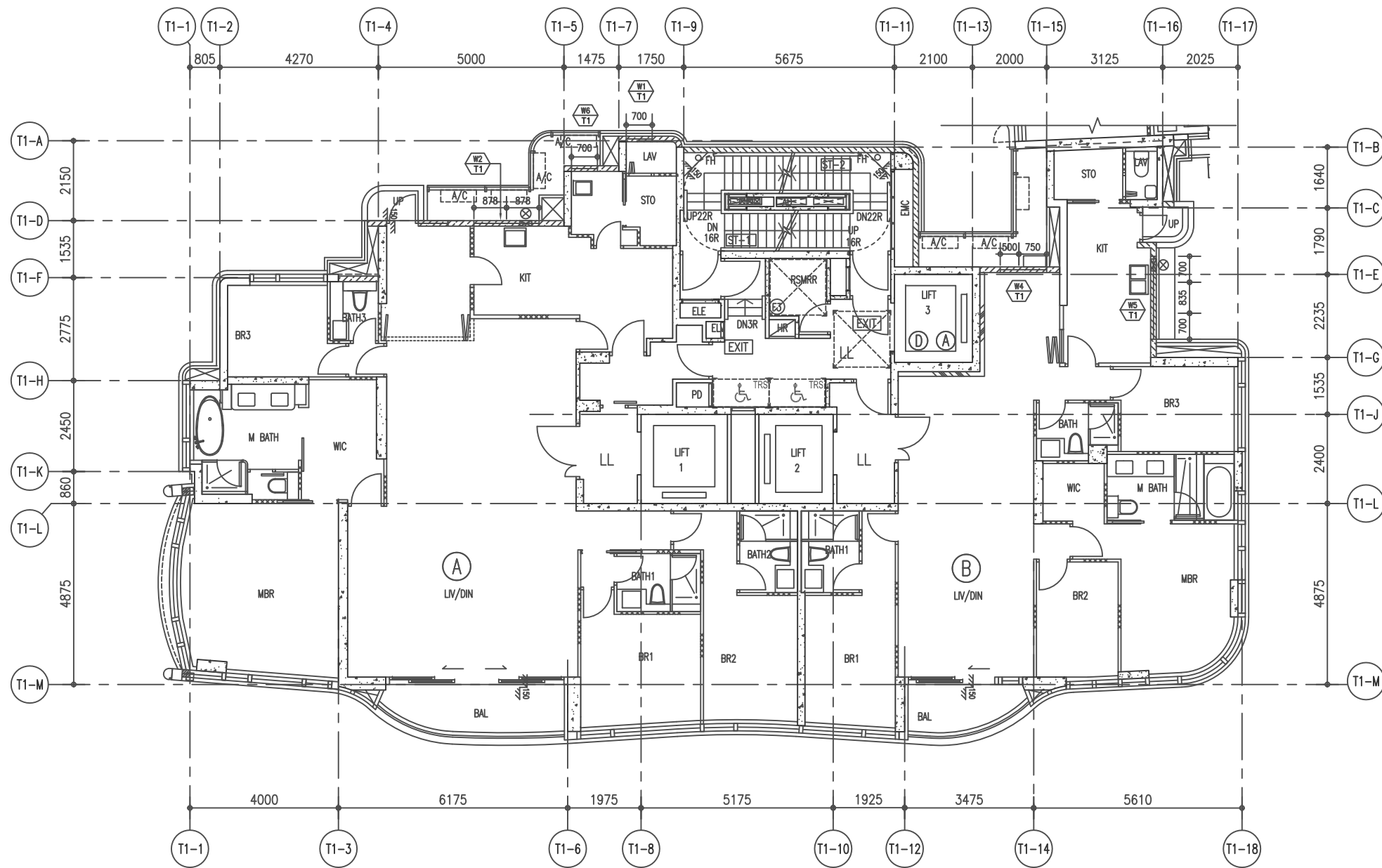
TITLE : DIE LIST FOR ALUM. WINDOW

DATE : 10-Nov-21 SCALE : 1:4 (A3)

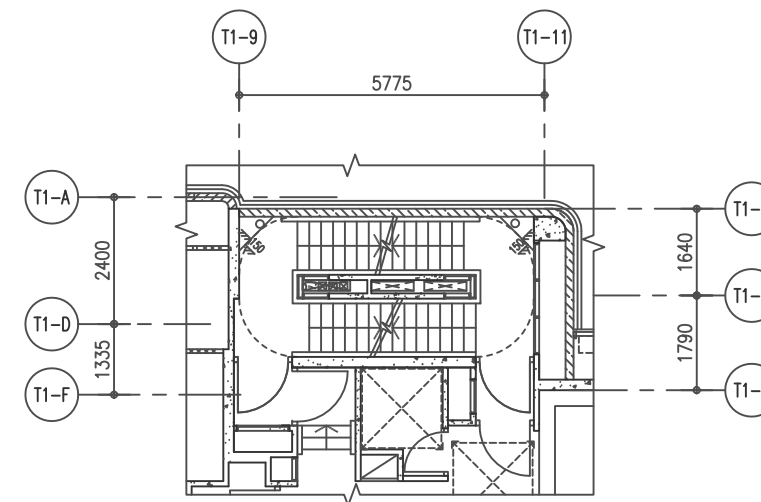
DRAWN BY : LHR CHECKED BY :

**美特鋁質有限公司**  
MIDI ALUMINIUM FABRICATOR LTD.  
Units 6-8, Sunray Industrial Centre, 1/F  
610 Cha Kwo Ling Road, Kowloon  
Tel:23489211-4 Fax:(852)2727666

DWG NO. : J859-SD-PW-1102 REV. : -



2/F TO 6/F WINDOW LOCATION PLAN FOR PRECAST FACADE  
AT TOWER 1 (4 STOREYS, 4/F OMITTED)



2/F PART PLAN OF TOWER 1

B.D. REF :

ARCHITECT :



STRUCTURAL ENGINEER :



SUN HUNG KAI CENTRE, WANCHAI, HONGKONG  
TEL. 28278111 FAX. 28272884

FACADE CONSULTANT:



MAIN CONTRACTOR :

**Sanfield Engineering  
Construction Ltd.**

CLIENT :



NOTE :

1. ALL DIMENSIONS ARE IN mm.
2. ALL ELEVATIONS ARE VIEWED FROM OUTSIDE.
3. ALL DIMENSIONS TO BE VERIFIED ON SITE BEFORE FABRICATION.

LEGEND :

- x1 — DETAIL MARK NO.
- x001 — REFER SHEET NO.

1. F.F.L. — FINISHED FLOOR LEVEL
2. S.F.L. — STRUCTURAL FLOOR LEVEL
3. (R) — REVERSED DETAIL
4. GLASS LEGEND

G1 — 8mmHS+12mm AIR GAP+10mmTP THK. I.G.U.

G2 — 8mmHS+12mm AIR GAP+8mmTP THK. I.G.U.

G8 — 6mm CRYSTAL GREY TP+1.52PVB+6mm CLEAR TP

NO.	DATE	REVISED	BY

JOB NO. : J-859

PROJECT :  
PROPOSED RESIDENTIAL / COMMERCIAL  
DEVELOPMENT AT NKIL NO.6551 KAI  
TAK AREA 4C, SITE 3  
KAI TAK, KOWLOON

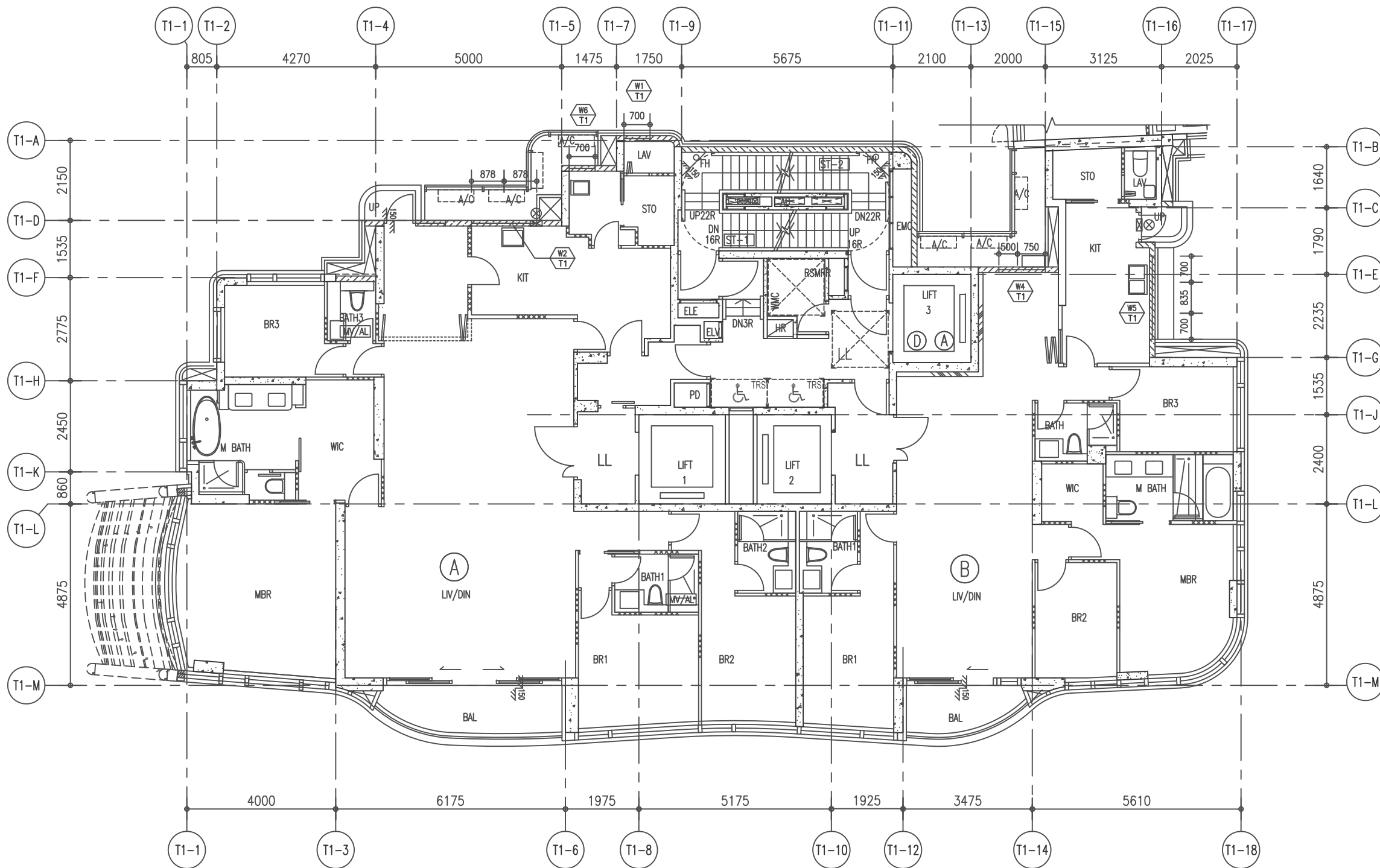
TITLE :  
2~6/F WINDOW LOCATION PLAN  
FOR PRECAST FACADE  
AT TOWER 1

DATE : 21-Nov-21 SCALE : 1:70 (A3)

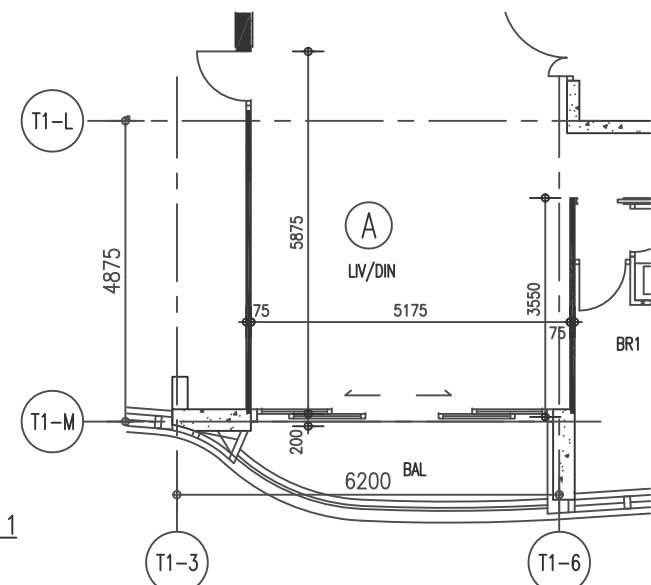
DRAWN BY : LHR CHECKED BY :

**美特鋁質有限公司**  
MIDI ALUMINIUM FABRICATOR LTD.  
Units 6-8, Sunray Industrial Centre, 1/F  
610 Cha Kwo Ling Road, Kowloon  
Tel:23489211-4 Fax:(852)2727666

DWG NO. : J859-SD-PL-101 REV. : -





7/F TO 25/F WINDOW LOCATION PLAN FOR PRECAST FACADE  
AT TOWER 1 (16 STOREYS, 13/F,14/F,24/F OMITTED)




25/F PART PLAN OF TOWER 1

B.D. REF :


ARCHITECT :  
 **WONG TUNG & PARTNERS LIMITED**  
 ARCHITECTS & PLANNERS

STRUCTURAL ENGINEER :  
 **SUN HUNG KAI**  
 ARCHITECTS AND ENGINEERS LTD.

SUN HUNG KAI CENTRE, WANCHAI, HONGKONG  
 TEL: 28278111 FAX: 28272884

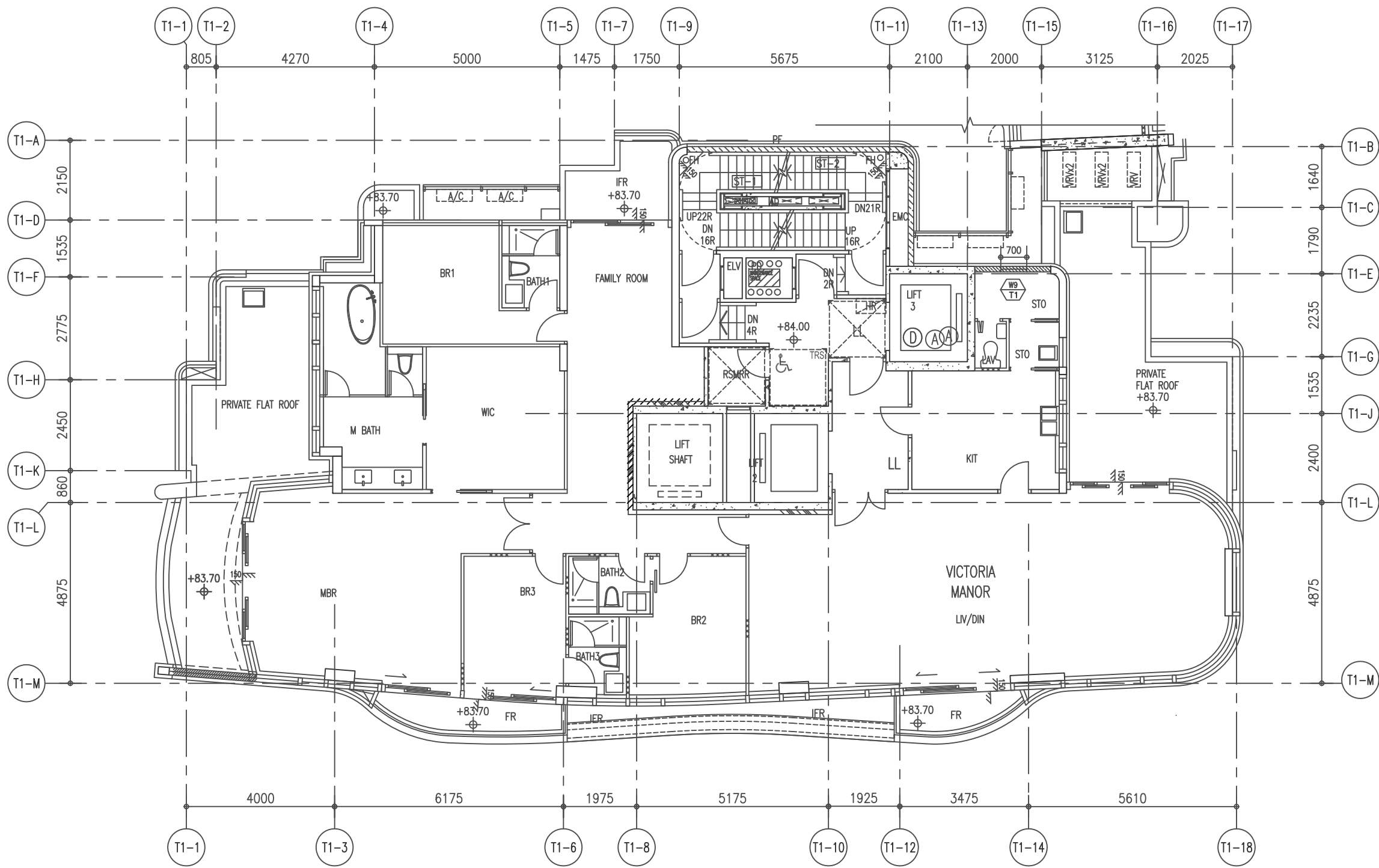
FACADE CONSULTANT:  
 **ALPHA CONSULTING LIMITED**  
 Steel Structure & Facade Specialist

MAIN CONTRACTOR :  
**Sanfield Engineering Construction Ltd.**

CLIENT :  
 **SUN HUNG KAI**  
 REAL ESTATE AGENCY LTD.  
 42/F SUN HUNG KAI CENTRE, WANCHAI, HONGKONG


- NOTE :
1. ALL DIMENSIONS ARE IN mm.
  2. ALL ELEVATIONS ARE VIEWED FROM OUTSIDE.
  3. ALL DIMENSIONS TO BE VERIFIED ON SITE BEFORE FABRICATION.
- LEGEND :
- (x1) --- DETAIL MARK NO.
  - (x001) --- REFER SHEET NO.
1. F.F.L. --- FINISHED FLOOR LEVEL
  2. S.F.L. --- STRUCTURAL FLOOR LEVEL
  3. (R) --- REVERSED DETAIL
  4. GLASS LEGEND
- G1--8mmHS+12mm AIR GAP+10mmTP THK. I.G.U.  
 G2--8mmHS+12mm AIR GAP+8mmTP THK. I.G.U.  
 G8--6mm CRYSTAL GREY TP+1.52PVB+6mm CLEAR TP


NO.	DATE	REVISED	BY
JOB NO. : J-859			
PROJECT : PROPOSED RESIDENTIAL / COMMERCIAL DEVELOPMENT AT NKIL NO.6551 KAI TAK AREA 4C, SITE 3 KAI TAK, KOWLOON			
TITLE : 7~25/F WINDOW LOCATION PLAN FOR PRECAST FACADE AT TOWER 1			
DATE : 21-Nov-21		SCALE : 1:60 (A3)	
DRAWN BY : LHR		CHECKED BY :	
 <b>美特鋁質有限公司</b> <b>MIDI ALUMINIUM FABRICATOR LTD.</b> Units 6-8, Sunray Industrial Centre, 1/F 610 Cha Kwo Ling Road, Kowloon Tel:23489211-4 Fax:(852)2727666			
DWG NO. : J859-SD-PL-102			REV. : -




26/F WINDOW LOCATION PLAN  
FOR PRECAST FACADE AT TOWER 1


B.D. REF :

ARCHITECT :  
 **WONG TUNG & PARTNERS LIMITED**  
 ARCHITECTS & PLANNERS

STRUCTURAL ENGINEER :  
 **SUN HUNG KAI**  
 ARCHITECTS AND ENGINEERS LTD.  
 SUN HUNG KAI CENTRE, WANCHAI, HONGKONG  
 TEL. 28278111 FAX. 28272884

FACADE CONSULTANT:  
 **ALPHA CONSULTING LIMITED**  
 Steel Structure & Facade Specialist

MAIN CONTRACTOR :  
**Sanfield Engineering Construction Ltd.**

CLIENT :  
 **SUN HUNG KAI**  
 REAL ESTATE AGENCY LTD.  
 42/F SUN HUNG KAI CENTRE, WANCHAI, HONGKONG

NOTE :

1. ALL DIMENSIONS ARE IN mm.
2. ALL ELEVATIONS ARE VIEWED FROM OUTSIDE.
3. ALL DIMENSIONS TO BE VERIFIED ON SITE BEFORE FABRICATION.

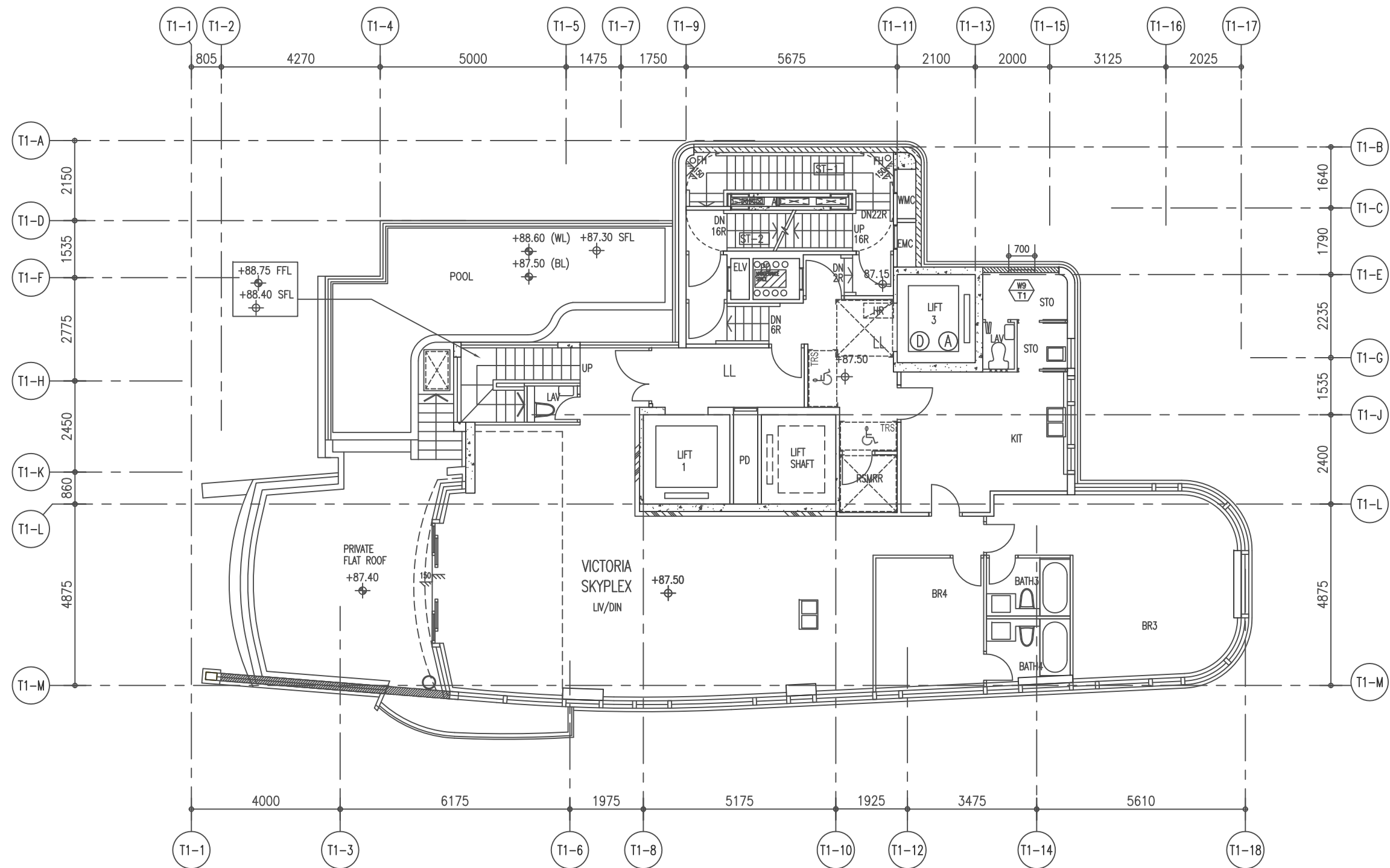
LEGEND :

x1 --- DETAIL MARK NO.  
 x001 --- REFER SHEET NO.

1. F.F.L. --- FINISHED FLOOR LEVEL
2. S.F.L. --- STRUCTURAL FLOOR LEVEL
3. (R) --- REVERSED DETAIL
4. GLASS LEGEND

G1 --- 8mmHS+12mm AIR GAP+10mmTP THK. I.G.U.  
 G2 --- 8mmHS+12mm AIR GAP+8mmTP THK. I.G.U.  
 G8 --- 6mm CRYSTAL GREY TP+1.52PVB+6mm CLEAR TP

NO.	DATE	REVISED	BY
JOB NO. : J-859			
PROJECT : PROPOSED RESIDENTIAL / COMMERCIAL DEVELOPMENT AT NKIL NO.6551 KAI TAK AREA 4C, SITE 3 KAI TAK, KOWLOON			
TITLE : 26/F WINDOW LOCATION PLAN FOR PRECAST FACADE AT TOWER 1			
DATE : 21-Nov-21		SCALE : 1:60 (A3)	
DRAWN BY : LHR		CHECKED BY :	
 <b>美特鋁質有限公司</b> <b>MIDI ALUMINIUM FABRICATOR LTD.</b> Units 6-8, Sunray Industrial Centre, 1/F 610 Cha Kwo Ling Road, Kowloon Tel:23489211-4 Fax:(852)2727666			
DWG NO. : J859-SD-PL-103			REV. : -



27/F WINDOW LOCATION PLAN  
FOR PRECAST FACADE AT TOWER 1

B.D. REF :

ARCHITECT :  
**WONG TUNG & PARTNERS LIMITED**  
ARCHITECTS & PLANNERS

STRUCTURAL ENGINEER :  
**SUN HUNG KAI**  
ARCHITECTS AND ENGINEERS LTD.  
SUN HUNG KAI CENTRE, WANCHAI, HONGKONG  
TEL: 28278111 FAX: 28272884

FACADE CONSULTANT:  
**ALPHA CONSULTING LIMITED**  
Steel Structure & Facade Specialist

MAIN CONTRACTOR :  
**Sanfield Engineering Construction Ltd.**

CLIENT :  
**SUN HUNG KAI**  
REAL ESTATE AGENCY LTD.  
42/F SUN HUNG KAI CENTRE, WANCHAI, HONGKONG

NOTE :  
1. ALL DIMENSIONS ARE IN mm.  
2. ALL ELEVATIONS ARE VIEWED FROM OUTSIDE.  
3. ALL DIMENSIONS TO BE VERIFIED ON SITE BEFORE FABRICATION.

LEGEND :  
x1 --- DETAIL MARK NO.  
x001 --- REFER SHEET NO.  
1. F.F.L. --- FINISHED FLOOR LEVEL  
2. S.F.L. --- STRUCTURAL FLOOR LEVEL  
3. (R) --- REVERSED DETAIL  
4. GLASS LEGEND  
G1 --- 8mmHS+12mm AIR GAP+10mmTP THK. I.G.U.  
G2 --- 8mmHS+12mm AIR GAP+8mmTP THK. I.G.U.  
G8 --- 6mm CRYSTAL GREY TP+1.52PVB+6mm CLEAR TP

NO.	DATE	REVISED	BY

JOB NO. : J-859  
PROJECT : PROPOSED RESIDENTIAL / COMMERCIAL DEVELOPMENT AT NKIL NO.6551 KAI TAK AREA 4C, SITE 3 KAI TAK, KOWLOON

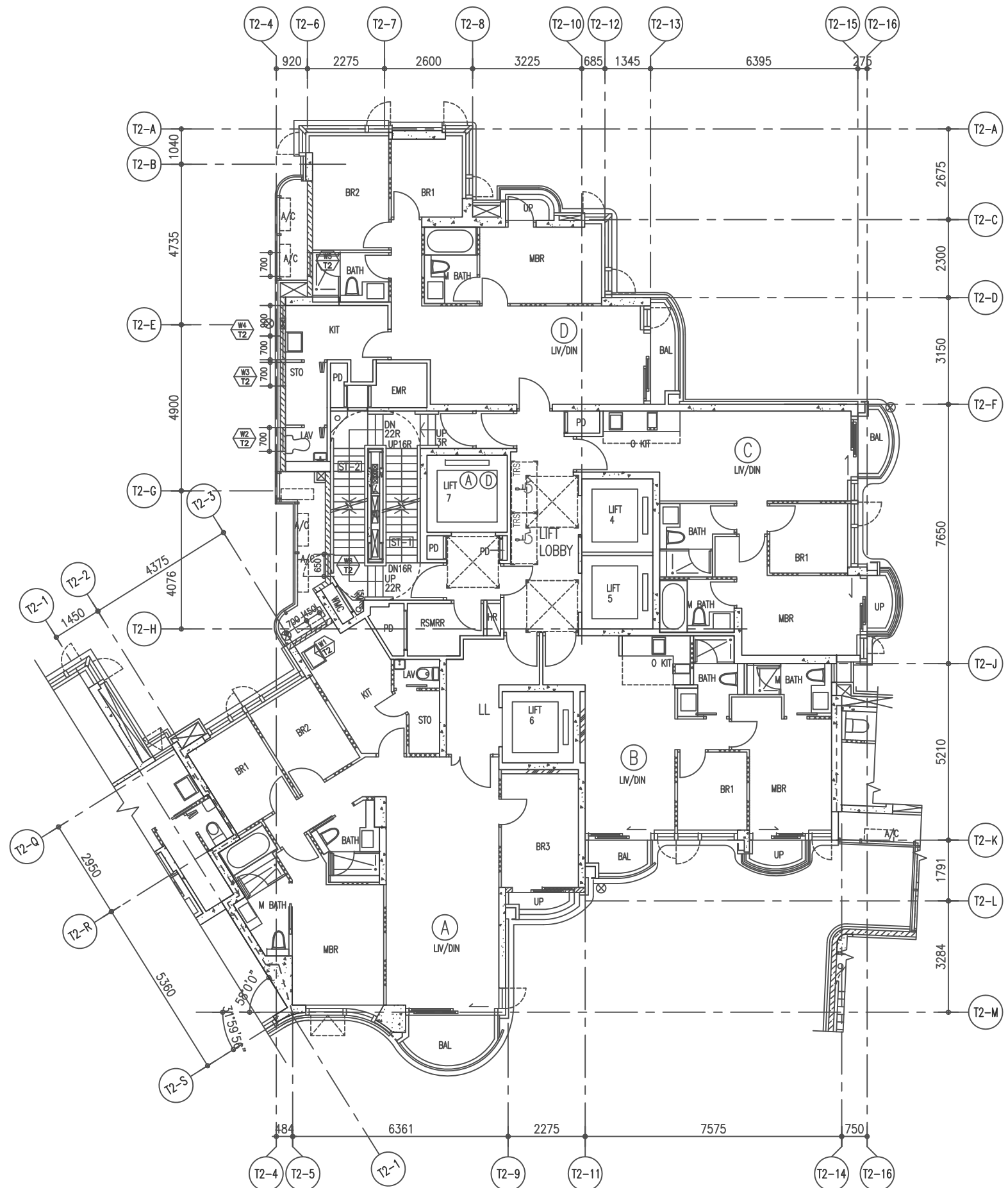
TITLE : 27/F WINDOW LOCATION PLAN FOR PRECAST FACADE AT TOWER 1

DATE : 21-Nov-21 SCALE : 1:60 (A3)

DRAWN BY : LHR CHECKED BY :


**美特鋁質有限公司**  
MIDI ALUMINIUM FABRICATOR LTD.  
Units 6-8, Sunray Industrial Centre, 1/F  
610 Cha Kwo Ling Road, Kowloon  
Tel:23489211-4 Fax:(852)2727666


DWG NO. : J859-SD-PL-104 REV. : -




2/F TO 19/F WINDOW LOCATION PLAN FOR PRECAST FACADE  
AT TOWER 2 (15 STOREYS, 4/F,13/F,14/F OMITTED)


B.D. REF :

ARCHITECT :  
 **WONG TUNG & PARTNERS LIMITED**  
 ARCHITECTS & PLANNERS

STRUCTURAL ENGINEER :  
 **SUN HUNG KAI**  
 ARCHITECTS AND ENGINEERS LTD.  
 SUN HUNG KAI CENTRE, WANCHAI, HONGKONG  
 TEL. 28278111 FAX. 28272884

FACADE CONSULTANT:  
 **ALPHA CONSULTING LIMITED**  
 Steel Structure & Facade Specialist

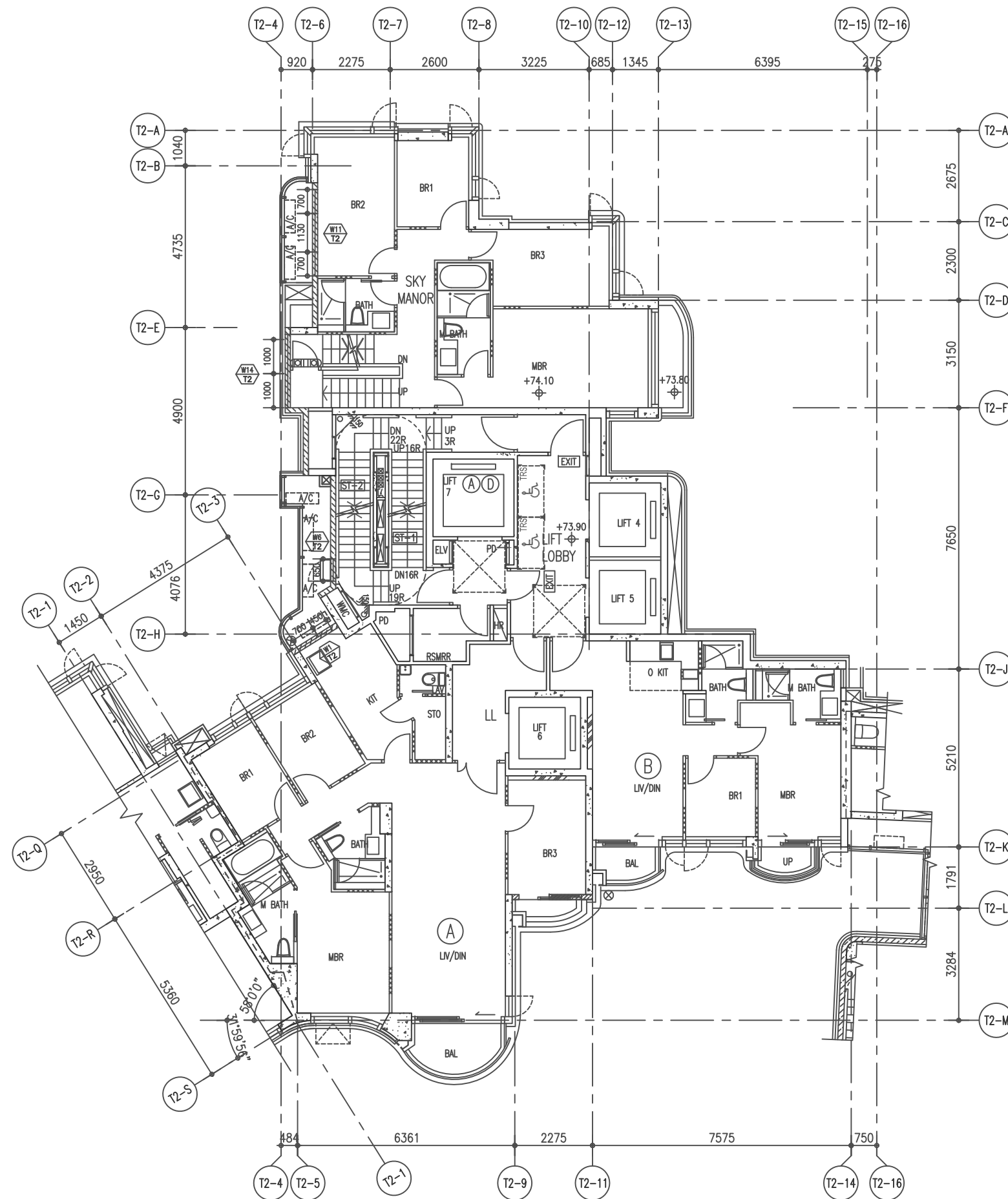
MAIN CONTRACTOR :  
**Sanfield Engineering Construction Ltd.**

CLIENT :  
 **SUN HUNG KAI**  
 REAL ESTATE AGENCY LTD.  
 42/F SUN HUNG KAI CENTRE, WANCHAI, HONGKONG

- NOTE :
1. ALL DIMENSIONS ARE IN mm.
  2. ALL ELEVATIONS ARE VIEWED FROM OUTSIDE.
  3. ALL DIMENSIONS TO BE VERIFIED ON SITE BEFORE FABRICATION.
- LEGEND :
- (x1) — DETAIL MARK NO.
  - (x001) — REFER SHEET NO.
  - 1. F.F.L. — FINISHED FLOOR LEVEL
  - 2. S.F.L. — STRUCTURAL FLOOR LEVEL
  - 3. (R) — REVERSED DETAIL
  - 4. GLASS LEGEND
  - G1 — 8mmHS+12mm AIR GAP+10mmTP THK. I.G.U.
  - G2 — 8mmHS+12mm AIR GAP+8mmTP THK. I.G.U.
  - G8 — 6mm CRYSTAL GREY TP+1.52PVB+6mm CLEAR TP

NO.	DATE	REVISED	BY
JOB NO. : J-859			
PROJECT : PROPOSED RESIDENTIAL / COMMERCIAL DEVELOPMENT AT NKIL NO.6551 KAI TAK AREA 4C, SITE 3 KAI TAK, KOWLOON			
TITLE : 2~19/F WINDOW LOCATION PLAN FOR PRECAST FACADE AT TOWER 2			
DATE : 21-Nov-21	SCALE : 1:70 (A3)		
DRAWN BY : LHR	CHECKED BY :		
 <b>美特鋁質有限公司</b> <b>MIDI ALUMINIUM FABRICATOR LTD.</b> Units 6-8, Sunray Industrial Centre, 1/F 610 Cha Kwo Ling Road, Kowloon Tel:23489211-4 Fax:(852)2727666			
DWG NO. : J859-SD-PL-201	REV. : -		





21/F WINDOW LOCATION PLAN  
FOR PRECAST FACADE AT TOWER 2

B.D. REF :

ARCHITECT :  
**WONG TUNG & PARTNERS LIMITED**  
ARCHITECTS & PLANNERS

STRUCTURAL ENGINEER :  
**SUN HUNG KAI**  
ARCHITECTS AND ENGINEERS LTD.  
SUN HUNG KAI CENTRE, WANCHAI, HONGKONG  
TEL. 28278111 FAX. 28272884

FACADE CONSULTANT:  
**ALPHA CONSULTING LIMITED**  
Steel Structure & Facade Specialist

MAIN CONTRACTOR :  
**Sanfield Engineering Construction Ltd.**

CLIENT :  
**SUN HUNG KAI**  
REAL ESTATE AGENCY LTD.  
42/F SUN HUNG KAI CENTRE, WANCHAI, HONGKONG

- NOTE :
1. ALL DIMENSIONS ARE IN mm.
  2. ALL ELEVATIONS ARE VIEWED FROM OUTSIDE.
  3. ALL DIMENSIONS TO BE VERIFIED ON SITE BEFORE FABRICATION.
- LEGEND :
- X1 — DETAIL MARK NO.
  - X001 — REFER SHEET NO.
  - 1. F.F.L. — FINISHED FLOOR LEVEL
  - 2. S.F.L. — STRUCTURAL FLOOR LEVEL
  - 3. (R) — REVERSED DETAIL
  - 4. GLASS LEGEND
  - G1 — 8mmHS+12mm AIR GAP+10mmTP THK. I.G.U.
  - G2 — 8mmHS+12mm AIR GAP+8mmTP THK. I.G.U.
  - G8 — 6mm CRYSTAL GREY TP+1.52PVB+6mm CLEAR TP

NO.	DATE	REVISED	BY

JOB NO. : J-859  
PROJECT : PROPOSED RESIDENTIAL / COMMERCIAL DEVELOPMENT AT NKIL NO.6551 KAI TAK AREA 4C, SITE 3 KAI TAK, KOWLOON

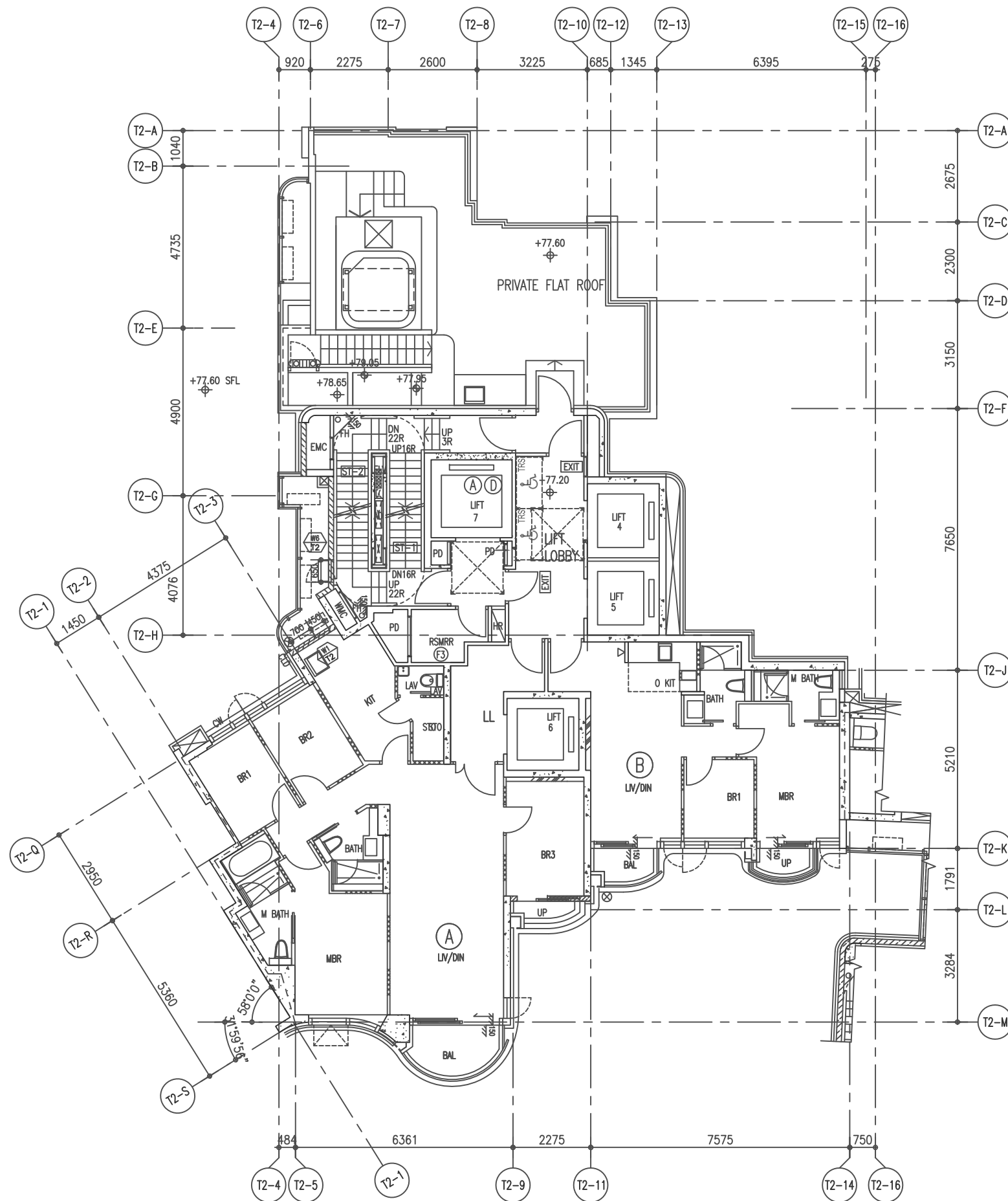
TITLE : 21/F WINDOW LOCATION PLAN FOR PRECAST FACADE AT TOWER 2

DATE : 21-Nov-21 SCALE : 1:70 (A3)

DRAWN BY : LHR CHECKED BY :

**美特鋁質有限公司**  
MIDI ALUMINIUM FABRICATOR LTD.  
Units 6-8, Sunray Industrial Centre, 1/F  
610 Cha Kwo Ling Road, Kowloon  
Tel:23489211-4 Fax:(852)2727666

DWG NO. : J859-SD-PL-203 REV. : -



22/F WINDOW LOCATION PLAN  
FOR PRECAST FACADE AT TOWER 2

B.D. REF :

ARCHITECT :  
**WONG TUNG & PARTNERS LIMITED**  
ARCHITECTS & PLANNERS

STRUCTURAL ENGINEER :  
**SUN HUNG KAI**  
ARCHITECTS AND ENGINEERS LTD.  
SUN HUNG KAI CENTRE, WANCHAI, HONGKONG  
TEL. 28278111 FAX. 28272884

FACADE CONSULTANT:  
**ALPHA CONSULTING LIMITED**  
Steel Structure & Facade Specialist

MAIN CONTRACTOR :  
**Sanfield Engineering Construction Ltd.**

CLIENT :  
**SUN HUNG KAI**  
REAL ESTATE AGENCY LTD.  
42/F SUN HUNG KAI CENTRE, WANCHAI, HONGKONG

NOTE :  
1. ALL DIMENSIONS ARE IN mm.  
2. ALL ELEVATIONS ARE VIEWED FROM OUTSIDE.  
3. ALL DIMENSIONS TO BE VERIFIED ON SITE BEFORE FABRICATION.

LEGEND :  
x1 — DETAIL MARK NO.  
x001 — REFER SHEET NO.  
1. F.F.L. — FINISHED FLOOR LEVEL  
2. S.F.L. — STRUCTURAL FLOOR LEVEL  
3. (R) — REVERSED DETAIL  
4. GLASS LEGEND  
G1 — 8mmHS+12mm AIR GAP+10mmTP THK. I.G.U.  
G2 — 8mmHS+12mm AIR GAP+8mmTP THK. I.G.U.  
G8 — 6mm CRYSTAL GREY TP+1.52PVB+6mm CLEAR TP

NO.	DATE	REVISED	BY

JOB NO. : J-859  
PROJECT : PROPOSED RESIDENTIAL / COMMERCIAL DEVELOPMENT AT NKIL NO.6551 KAI TAK AREA 4C, SITE 3 KAI TAK, KOWLOON

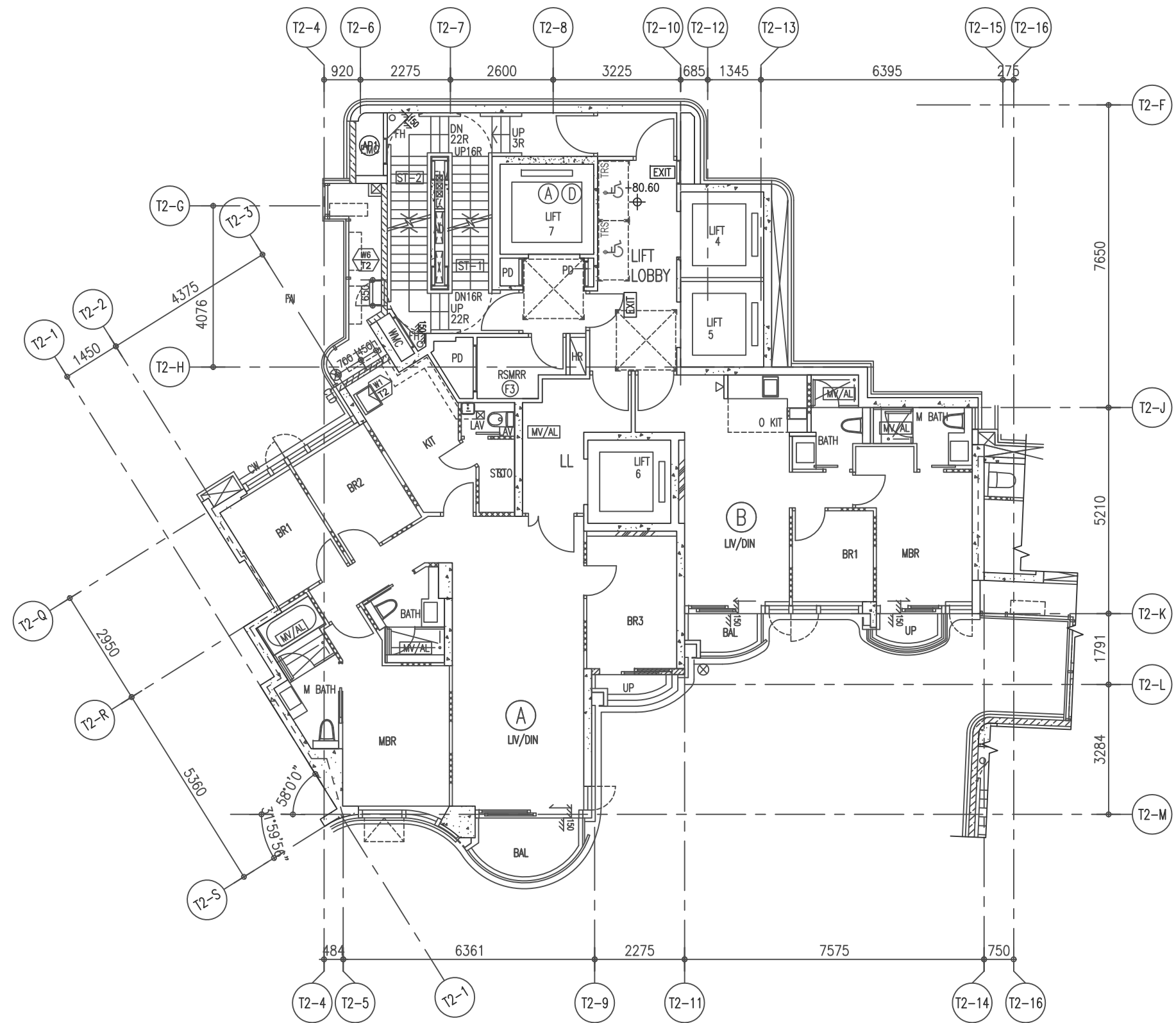
TITLE : 22/F WINDOW LOCATION PLAN FOR PRECAST FACADE AT TOWER 2

DATE : 21-Nov-21 SCALE : 1:70 (A3)

DRAWN BY : LHR CHECKED BY :

**美特鋁質有限公司**  
MIDI ALUMINIUM FABRICATOR LTD.  
Units 6-8, Sunray Industrial Centre, 1/F  
610 Cha Kwo Ling Road, Kowloon  
Tel:23489211-4 Fax:(852)2727666

DWG NO. : J859-SD-PL-204 REV. : -



23/F TO 25/F WINDOW LOCATION PLAN FOR PRECAST FACADE  
AT TOWER 2 (2 STOREYS, 24/F OMITTED)

B.D. REF :

ARCHITECT :  
**WONG TUNG & PARTNERS LIMITED**  
ARCHITECTS & PLANNERS

STRUCTURAL ENGINEER :  
**SUN HUNG KAI**  
ARCHITECTS AND ENGINEERS LTD.  
SUN HUNG KAI CENTRE, WANCHAI, HONGKONG  
TEL. 28278111 FAX. 28272884

FACADE CONSULTANT:  
**ALPHA CONSULTING LIMITED**  
Steel Structure & Facade Specialist

MAIN CONTRACTOR :  
**Sanfield Engineering Construction Ltd.**

CLIENT :  
**SUN HUNG KAI**  
REAL ESTATE AGENCY LTD.  
42/F SUN HUNG KAI CENTRE, WANCHAI, HONGKONG

NOTE :  
1. ALL DIMENSIONS ARE IN mm.  
2. ALL ELEVATIONS ARE VIEWED FROM OUTSIDE.  
3. ALL DIMENSIONS TO BE VERIFIED ON SITE BEFORE FABRICATION.

LEGEND :  
x1 — DETAIL MARK NO.  
x001 — REFER SHEET NO.  
1. F.F.L. — FINISHED FLOOR LEVEL  
2. S.F.L. — STRUCTURAL FLOOR LEVEL  
3. (R) — REVERSED DETAIL  
4. GLASS LEGEND  
G1 — 8mmHS+12mm AIR GAP+10mmTP THK. I.G.U.  
G2 — 8mmHS+12mm AIR GAP+8mmTP THK. I.G.U.  
G8 — 6mm CRYSTAL GREY TP+1.52PVB+6mm CLEAR TP

NO.	DATE	REVISED	BY

JOB NO. : J-859  
PROJECT : PROPOSED RESIDENTIAL / COMMERCIAL DEVELOPMENT AT NKIL NO.6551 KAI TAK AREA 4C, SITE 3 KAI TAK, KOWLOON

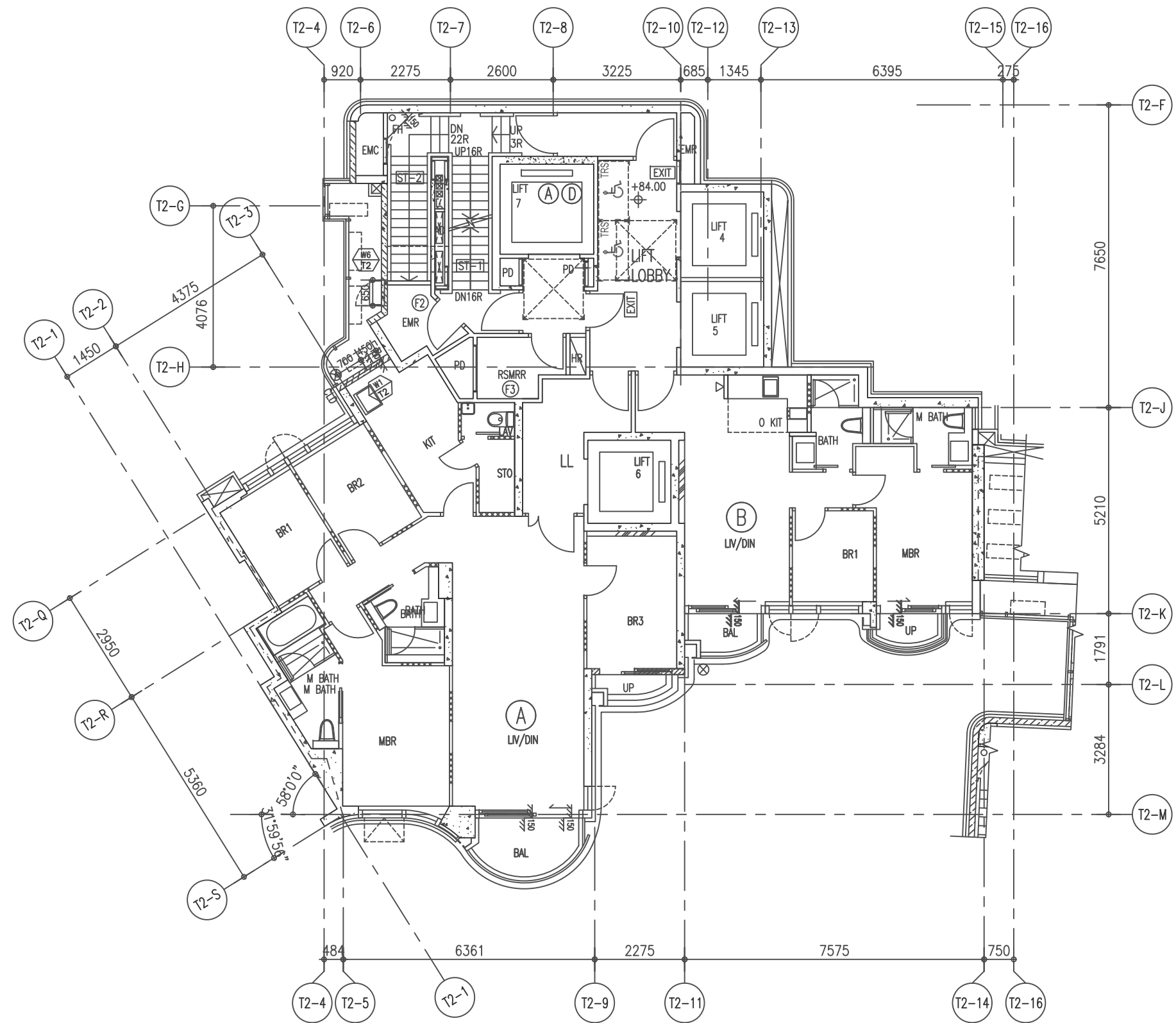
TITLE : 23~25/F WINDOW LOCATION PLAN FOR PRECAST FACADE AT TOWER 2

DATE : 21-Nov-21 SCALE : 1:60 (A3)

DRAWN BY : LHR CHECKED BY :

**美特鋁質有限公司**  
MIDI ALUMINIUM FABRICATOR LTD.  
Units 6-8, Sunray Industrial Centre, 1/F  
610 Cha Kwo Ling Road, Kowloon  
Tel:23489211-4 Fax:(852)2727666

DWG NO. : J859-SD-PL-205 REV. : -



26/F WINDOW LOCATION PLAN  
FOR PRECAST FACADE AT TOWER 2

B.D. REF :

ARCHITECT :  
**WONG TUNG & PARTNERS LIMITED**  
ARCHITECTS & PLANNERS

STRUCTURAL ENGINEER :  
**SUN HUNG KAI**  
ARCHITECTS AND ENGINEERS LTD.

SUN HUNG KAI CENTRE, WANCHAI, HONGKONG  
TEL. 28278111 FAX. 28272884

FACADE CONSULTANT:  
**ALPHA CONSULTING LIMITED**  
Steel Structure & Facade Specialist

MAIN CONTRACTOR :  
**Sanfield Engineering**  
Construction Ltd.

CLIENT :  
**SUN HUNG KAI**  
REAL ESTATE AGENCY LTD.  
42/F SUN HUNG KAI CENTRE, WANCHAI, HONGKONG

- NOTE :
1. ALL DIMENSIONS ARE IN mm.
  2. ALL ELEVATIONS ARE VIEWED FROM OUTSIDE.
  3. ALL DIMENSIONS TO BE VERIFIED ON SITE BEFORE FABRICATION.
- LEGEND :
- X1 — DETAIL MARK NO.
  - X001 — REFER SHEET NO.
1. F.F.L. — FINISHED FLOOR LEVEL
  2. S.F.L. — STRUCTURAL FLOOR LEVEL
  3. (R) — REVERSED DETAIL
  4. GLASS LEGEND
- G1 — 8mmHS+12mm AIR GAP+10mmTP THK. I.G.U.
  - G2 — 8mmHS+12mm AIR GAP+8mmTP THK. I.G.U.
  - G8 — 6mm CRYSTAL GREY TP+1.52PVB+6mm CLEAR TP

NO.	DATE	REVISED	BY

JOB NO. : J-859  
PROJECT :  
PROPOSED RESIDENTIAL / COMMERCIAL  
DEVELOPMENT AT NKIL NO.6551 KAI  
TAK AREA 4C, SITE 3  
KAI TAK, KOWLOON

TITLE :  
26/F WINDOW LOCATION PLAN  
FOR PRECAST FACADE  
AT TOWER 2

DATE : 21-Nov-21 SCALE : 1:60 (A3)

DRAWN BY : LHR CHECKED BY :

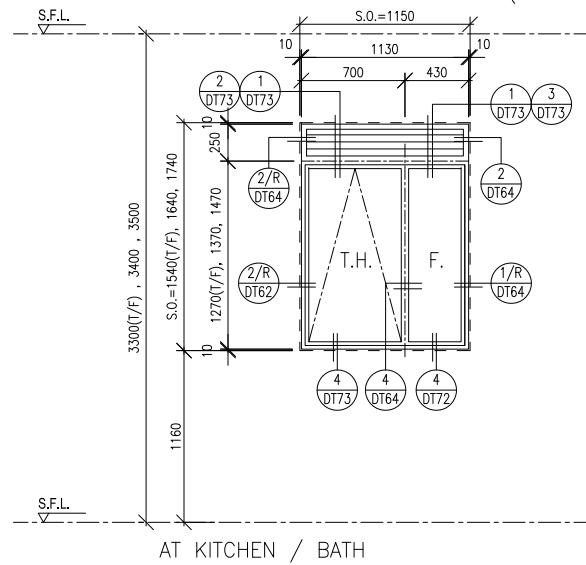
**美特鋁質有限公司**  
MIDI ALUMINIUM FABRICATOR LTD.  
Units 6-8, Sunray Industrial Centre, 1/F  
610 Cha Kwo Ling Road, Kowloon  
Tel:23489211-4 Fax:(852)2727666

DWG NO. : J859-SD-PL-206 REV. : -



FREE AREA(%)	S.O.	OPENABLE AREA	GLAZING AREA
58.1%	1540	0.73	0.98
	S.O.	OPENABLE AREA	GLAZING AREA
	1640	0.79	1.07
	S.O.	OPENABLE AREA	GLAZING AREA
	1740	0.85	1.15

TYPE 3 - 1270H FIXED WINDOW + OPENABLE WINDOW (PF WINDOW)



AT KITCHEN / BATH

WINDOW MARK  $\frac{W1}{T2}$  21 nos.

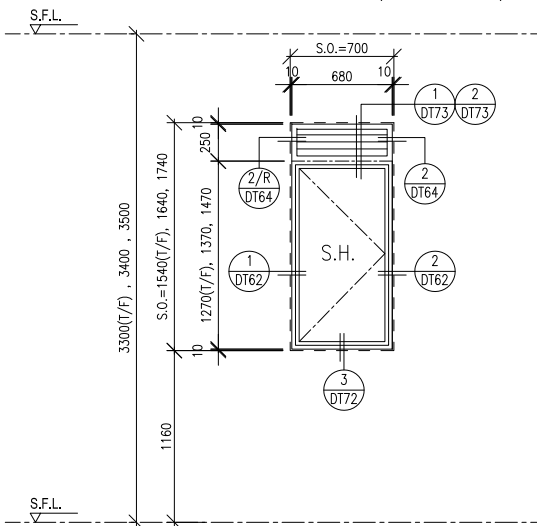
LOCATION FLAT A KIT AT 2/F TO 26/F FLOOR (T2)  
(4,13,14,24/F OMITTED)

GLAZING G1, G2

WINDOW FRAME 70mm ALUM. WINDOW SECTION

FREE AREA(%)	S.O.	OPENABLE AREA	GLAZING AREA
58.1%	1540	0.60	0.70
	S.O.	OPENABLE AREA	GLAZING AREA
	1640	0.65	0.76
	S.O.	OPENABLE AREA	GLAZING AREA
	1740	0.70	0.82

TYPE 1 - 1270H WINDOW + 250H LOUVRE (PF WINDOW)



WINDOW MARK  $\frac{W2}{T2}$  15 nos.

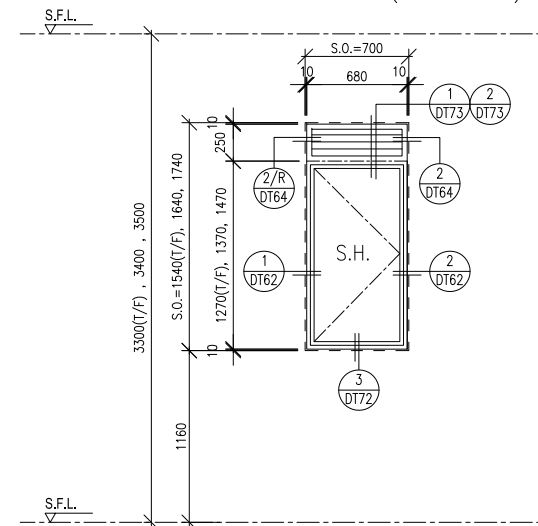
LOCATION FLAT D LAV AT 2/F TO 19/F FLOOR (T2)  
(4,13,14/F OMITTED)

GLAZING G2

WINDOW FRAME 70mm ALUM. WINDOW SECTION

FREE AREA(%)	S.O.	OPENABLE AREA	GLAZING AREA
58.1%	1540	0.60	0.70
	S.O.	OPENABLE AREA	GLAZING AREA
	1640	0.65	0.76
	S.O.	OPENABLE AREA	GLAZING AREA
	1740	0.70	0.82

TYPE 1 - 1270H WINDOW + 250H LOUVRE (PF WINDOW)



WINDOW MARK  $\frac{W3}{T2}$  15 nos.

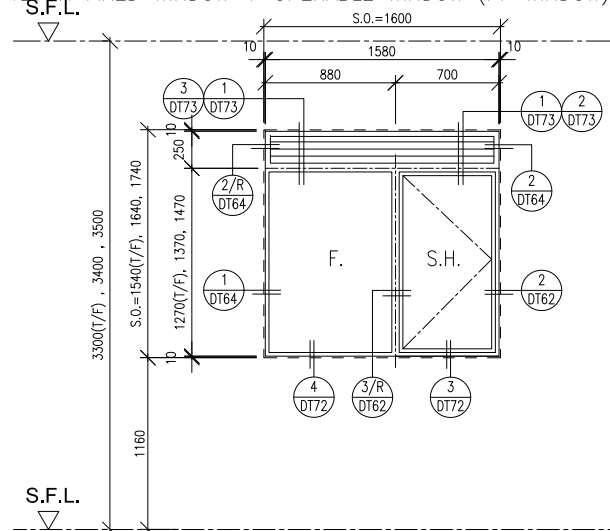
LOCATION FLAT D STO AT 2/F TO 19/F FLOOR (T2)  
(4,13,14/F OMITTED)

GLAZING G2

WINDOW FRAME 70mm ALUM. WINDOW SECTION

FREE AREA(%)	S.O.	OPENABLE AREA	GLAZING AREA
58.1%	1540	0.73	1.49
	S.O.	OPENABLE AREA	GLAZING AREA
	1640	0.79	1.62
	S.O.	OPENABLE AREA	GLAZING AREA
	1740	0.85	1.75

TYPE 3 - 1270H FIXED WINDOW + OPENABLE WINDOW (PF WINDOW)



WINDOW MARK  $\frac{W4}{T2}$  15 nos.

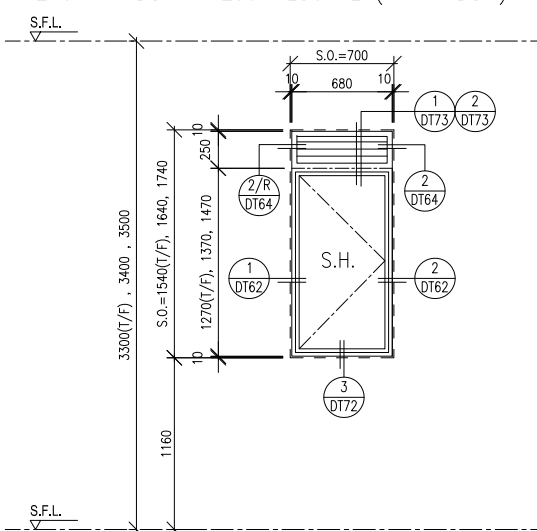
LOCATION FLAT D KIT AT 2/F TO 19/F FLOOR (T2)  
(4,13,14/F OMITTED)

GLAZING G1, G2

WINDOW FRAME 70mm ALUM. WINDOW SECTION

FREE AREA(%)	S.O.	OPENABLE AREA	GLAZING AREA
58.1%	1540	0.60	0.70
	S.O.	OPENABLE AREA	GLAZING AREA
	1640	0.65	0.76
	S.O.	OPENABLE AREA	GLAZING AREA
	1740	0.70	0.82

TYPE 1 - 1270H WINDOW + 250H LOUVRE (PF WINDOW)



WINDOW MARK  $\frac{W5}{T2}$  15 nos.

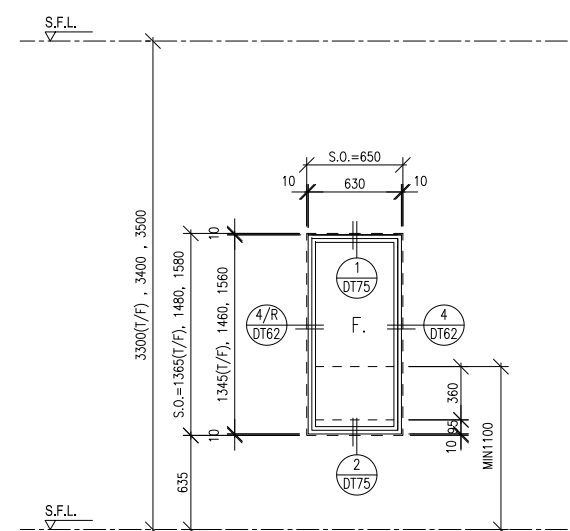
LOCATION FLAT D BATH AT 2/F TO 19/F FLOOR (T2)  
(4,13,14/F OMITTED)

GLAZING G2

WINDOW FRAME 70mm ALUM. WINDOW SECTION

FREE AREA(%)	S.O.	OPENABLE AREA	GLAZING AREA
58.1%	1365	0.57	0.68
	S.O.	OPENABLE AREA	GLAZING AREA
	1480	0.63	0.74
	S.O.	OPENABLE AREA	GLAZING AREA
	1580	0.68	0.79

TYPE 4 - WITH BARRIER (PF WINDOW)



WINDOW MARK  $\frac{W6}{T2}$  21 nos.

LOCATION ST-2 AT 2/F TO 26/F FLOOR (T2)  
(4,13,14,24/F OMITTED)

GLAZING G2

WINDOW FRAME 70mm ALUM. WINDOW SECTION

B.D. REF :

ARCHITECT :  
**WT** WONG TUNG & PARTNERS LIMITED  
ARCHITECTS & PLANNERS

STRUCTURAL ENGINEER :  
**SUN HUNG KAI**  
ARCHITECTS AND ENGINEERS LTD.  
SUN HUNG KAI CENTRE, WANCHAI, HONGKONG  
TEL: 28278111 FAX: 28272884

FAÇADE CONSULTANT:  
**ALPHA CONSULTING LIMITED**  
Steel Structure & Façade Specialist

MAIN CONTRACTOR :  
**Sanfield Engineering Construction Ltd.**

CLIENT :  
**SUN HUNG KAI**  
REAL ESTATE AGENCY LTD.  
42/F SUN HUNG KAI CENTRE, WANCHAI, HONGKONG

NOTE :  
1. ALL DIMENSIONS ARE IN mm.  
2. ALL ELEVATIONS ARE VIEWED FROM OUTSIDE.  
3. ALL DIMENSIONS TO BE VERIFIED ON SITE BEFORE FABRICATION.

LEGEND :  
① --- DETAIL MARK NO.  
② --- REFER SHEET NO.  
1. F.F.L. --- FINISHED FLOOR LEVEL  
2. S.F.L. --- STRUCTURAL FLOOR LEVEL  
3. (R) --- REVERSED DETAIL  
4. GLASS LEGEND  
G1 --- 8mmHS+12mm AIR GAP+10mmTP THK. I.G.U.  
G2 --- 8mmHS+12mm AIR GAP+8mmTP THK. I.G.U.  
G8 --- 6mm CRYSTAL GREY TP+1.52PVB+6mm CLEAR TP

NO.	DATE	REVISED	BY

JOB NO. : J-859  
PROJECT : PROPOSED RESIDENTIAL / COMMERCIAL DEVELOPMENT AT NKIL NO.6551 KAI TAK AREA 4C, SITE 3 KAI TAK, KOWLOON

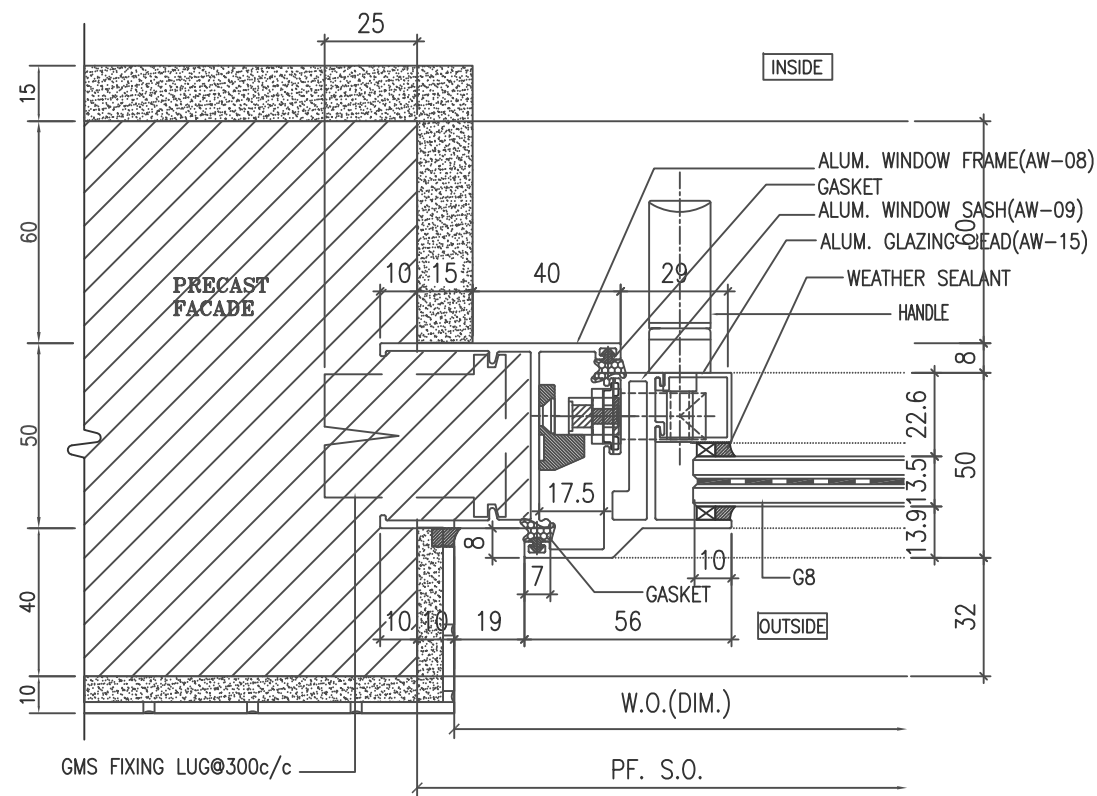
TITLE : WINDOW SCHEDULE FOR PRECAST FAÇADE AT TOWER 2

DATE : 23-Nov-21 SCALE : 1:50 (A3)  
DRAWN BY : LHR CHECKED BY :

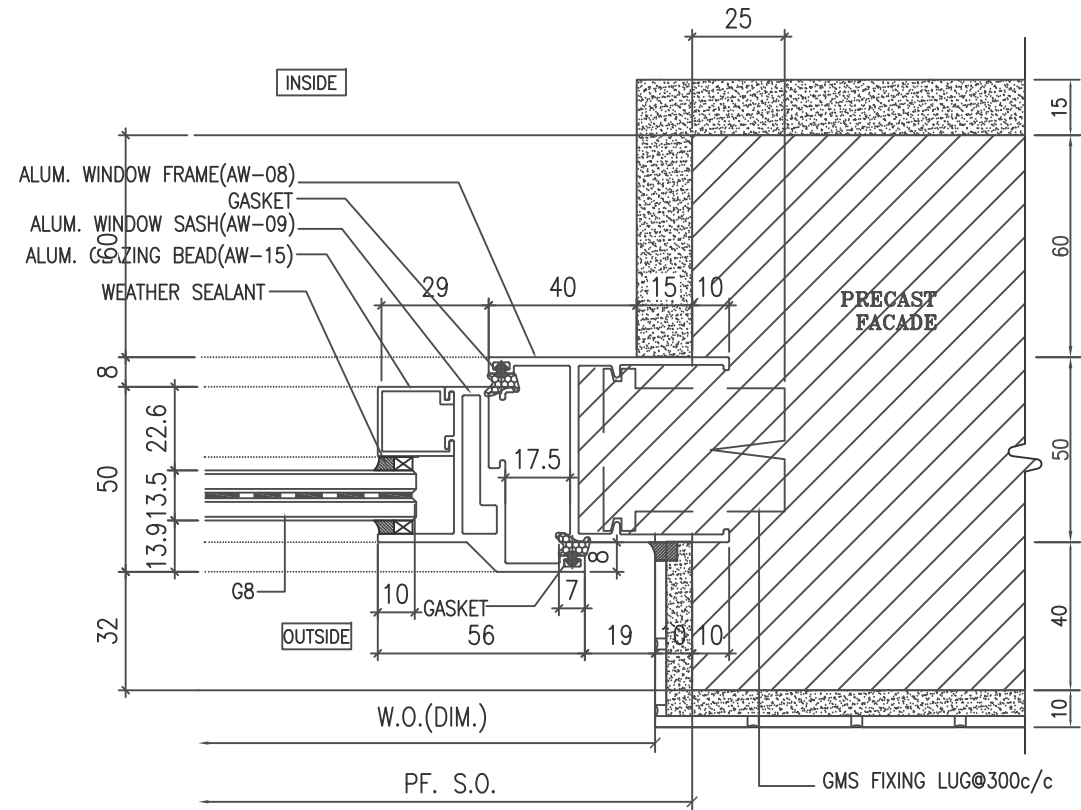
**美特鋁質有限公司**  
MIDI ALUMINIUM FABRICATOR LTD.  
Units 6-8, Sunray Industrial Centre, 1/F  
610 Cha Kwo Ling Road, Kowloon  
Tel:23489211-4 Fax:(852)2727666

DWG NO. : J859-SD-PW-4201 REV. : -

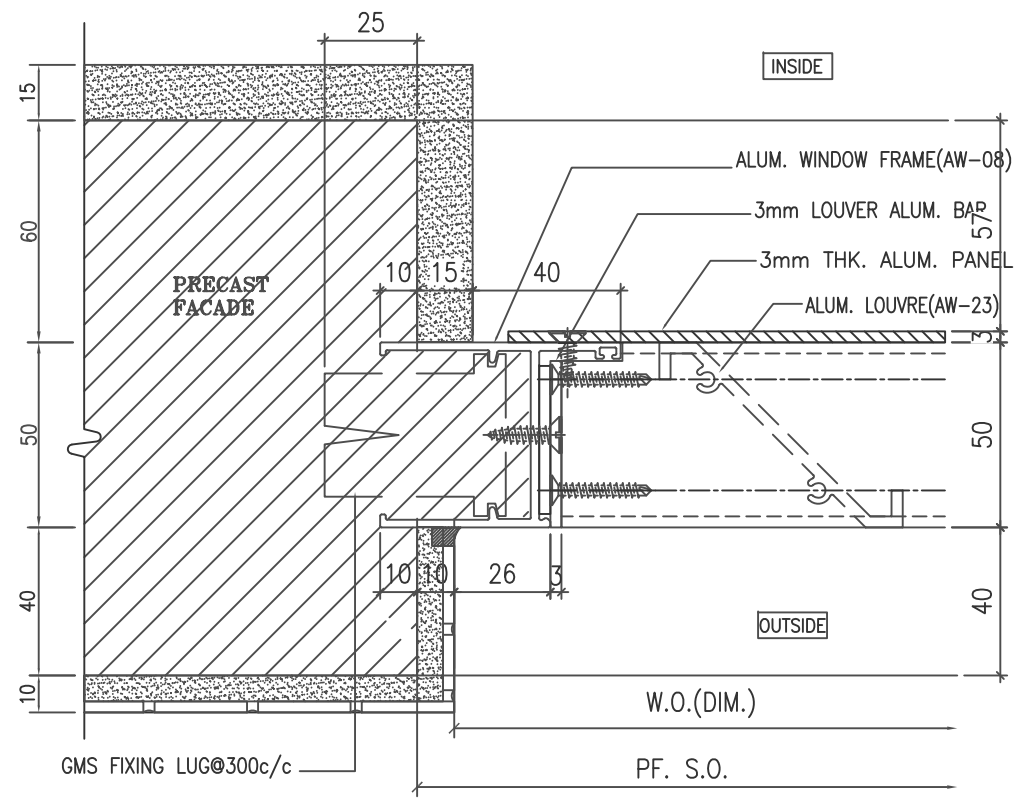




1 HORIZONTAL DETAIL



2 HORIZONTAL DETAIL

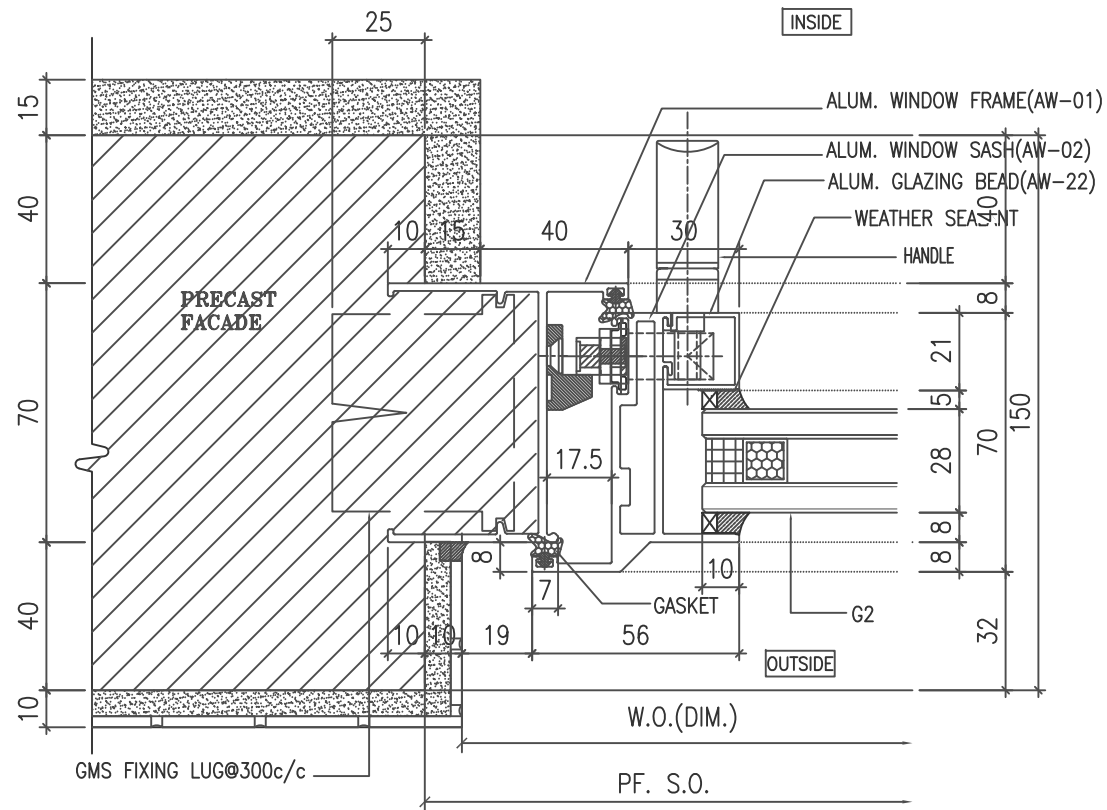


3 HORIZONTAL DETAIL

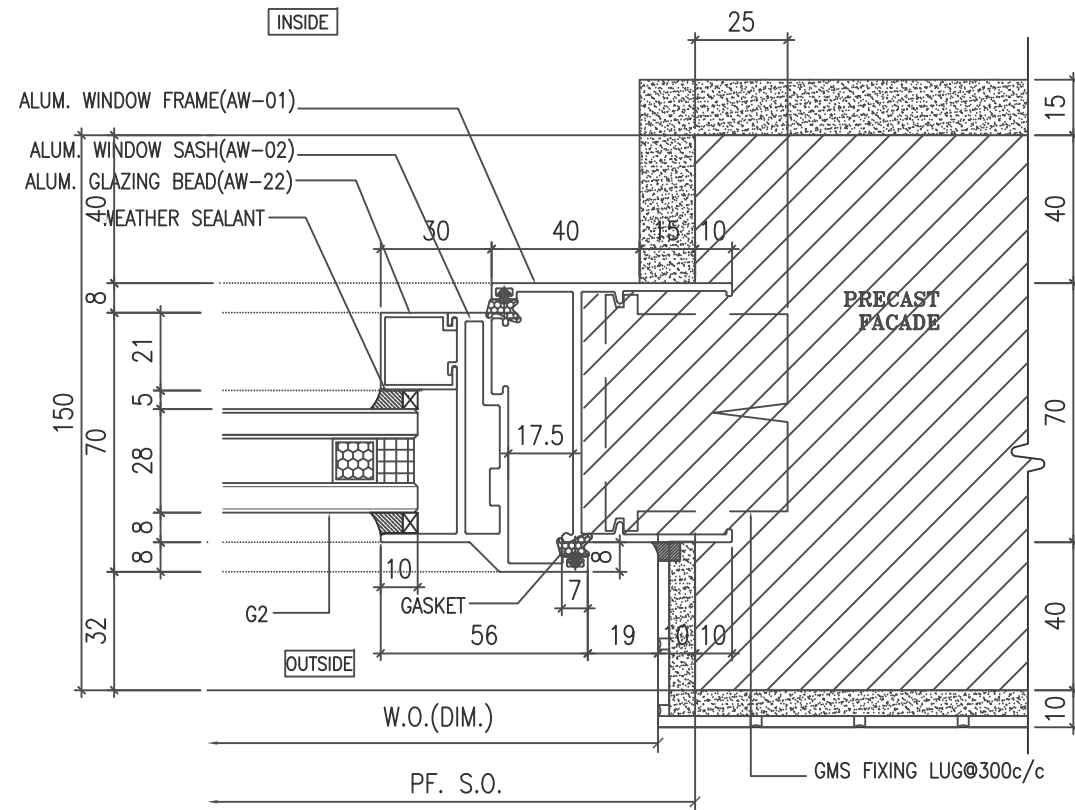
B.D. REF :  
 ARCHITECT :  
**WT WONG TUNG & PARTNERS LIMITED**  
 ARCHITECTS & PLANNERS  
 STRUCTURAL ENGINEER :  
**SUN HUNG KAI**  
 ARCHITECTS AND ENGINEERS LTD.  
 SUN HUNG KAI CENTRE, WANCHAI, HONGKONG  
 TEL. 28278111 FAX. 28272884  
 FACADE CONSULTANT:  
**α ALPHA CONSULTING LIMITED**  
 Steel Structure & Facade Specialist  
 MAIN CONTRACTOR :  
**Sanfield Engineering Construction Ltd.**  
 CLIENT :  
**SUN HUNG KAI**  
 REAL ESTATE AGENCY LTD.  
 42/F SUN HUNG KAI CENTRE, WANCHAI, HONGKONG

- NOTE :  
 1. ALL DIMENSIONS ARE IN mm.  
 2. ALL ELEVATIONS ARE VIEWED FROM OUTSIDE.  
 3. ALL DIMENSIONS TO BE VERIFIED ON SITE BEFORE FABRICATION.
- LEGEND :  
 x1 — DETAIL MARK NO.  
 x001 — REFER SHEET NO.
1. F.F.L. -- FINISHED FLOOR LEVEL  
 2. S.F.L. -- STRUCTURAL FLOOR LEVEL  
 3. (R) -- REVERSED DETAIL  
 4. GLASS LEGEND  
 G1 -- 8mmHS+12mm AIR GAP+10mmTP THK. I.G.U.  
 G2 -- 8mmHS+12mm AIR GAP+8mmTP THK. I.G.U.  
 G8 -- 6mm CRYSTAL GREY TP+1.52PVB+6mm CLEAR TP

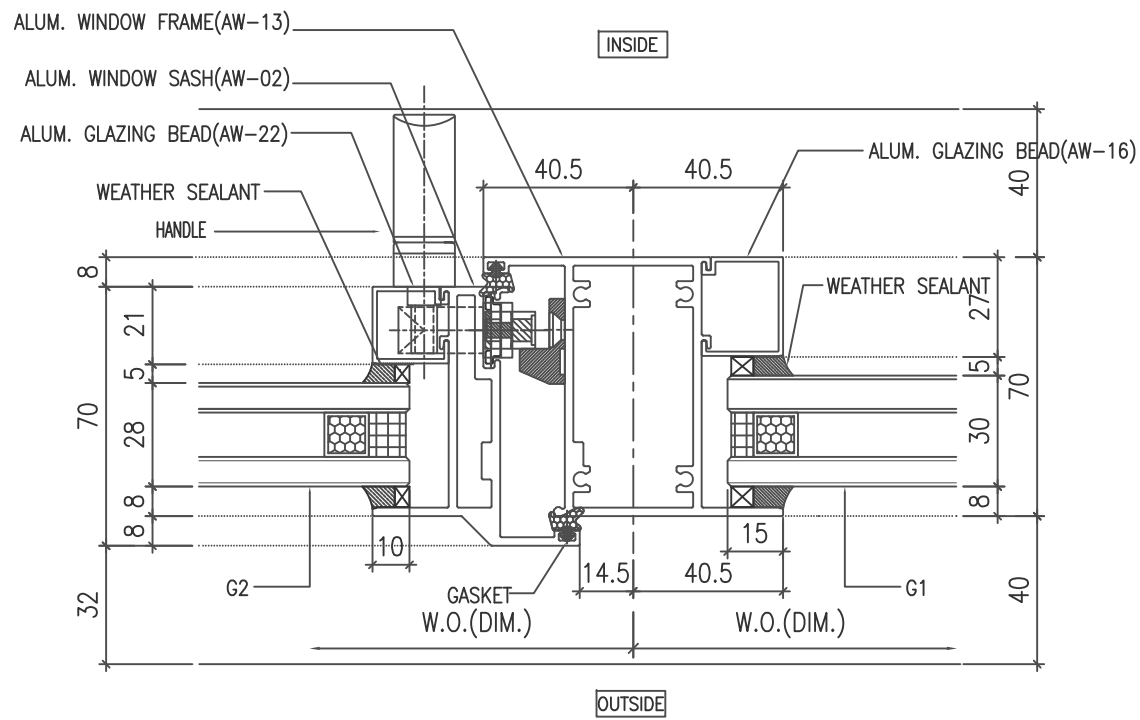
NO.	DATE	REVISED	BY
JOB NO. : J-859			
PROJECT : PROPOSED RESIDENTIAL / COMMERCIAL DEVELOPMENT AT NKIL NO.6551 KAI TAK AREA 4C, SITE 3 KAI TAK, KOWLOON			
TITLE : TYPICAL DETAILS FOR ALUM. WINDOW			
DATE : 10-Nov-21	SCALE : 1:2 (A3)		
DRAWN BY : LHR	CHECKED BY :		
<b>美特鋁質有限公司</b> <b>MIDI ALUMINIUM FABRICATOR LTD.</b> Units 6-8, Sunray Industrial Centre, 1/F 610 Cha Kwo Ling Road, Kowloon Tel:23489211-4 Fax:(852)2727666			
DWG NO. : J859-SD-PW-DT61	REV. : -		



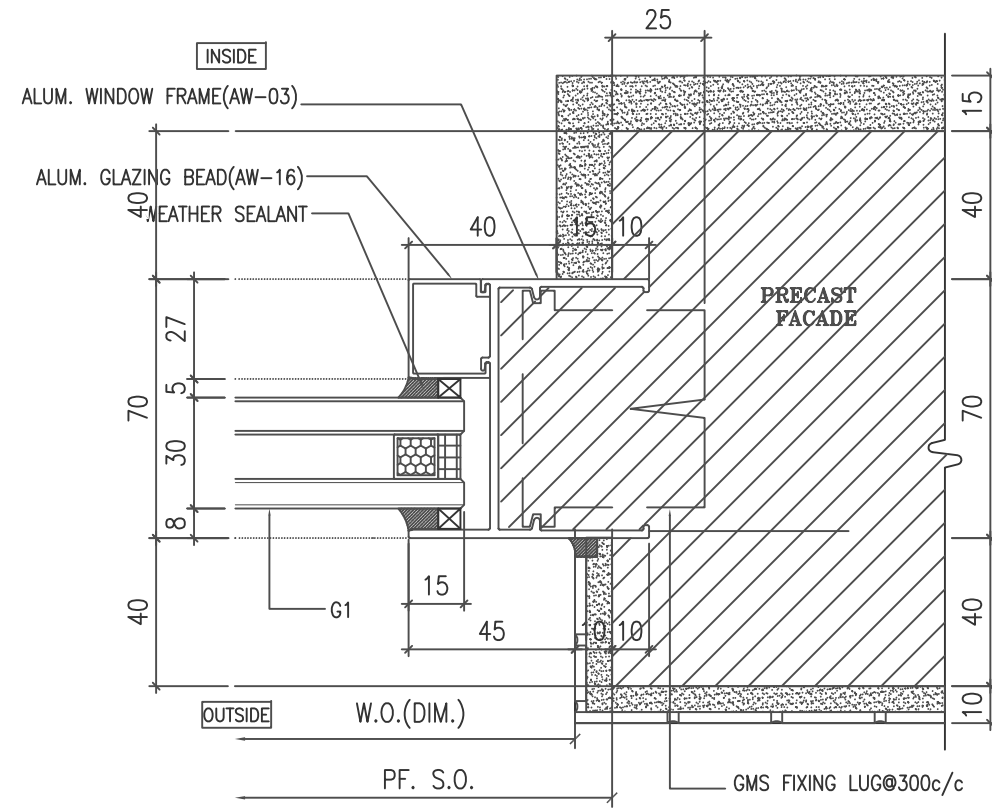
1 HORIZONTAL DETAIL



2 HORIZONTAL DETAIL



3 HORIZONTAL DETAIL



4 HORIZONTAL DETAIL

B.D. REF :

ARCHITECT :  
**WONG TUNG & PARTNERS LIMITED**  
 ARCHITECTS & PLANNERS

STRUCTURAL ENGINEER :  
**SUN HUNG KAI**  
 ARCHITECTS AND ENGINEERS LTD.  
 SUN HUNG KAI CENTRE, WANCHAI, HONGKONG  
 TEL: 28278111 FAX: 28272884

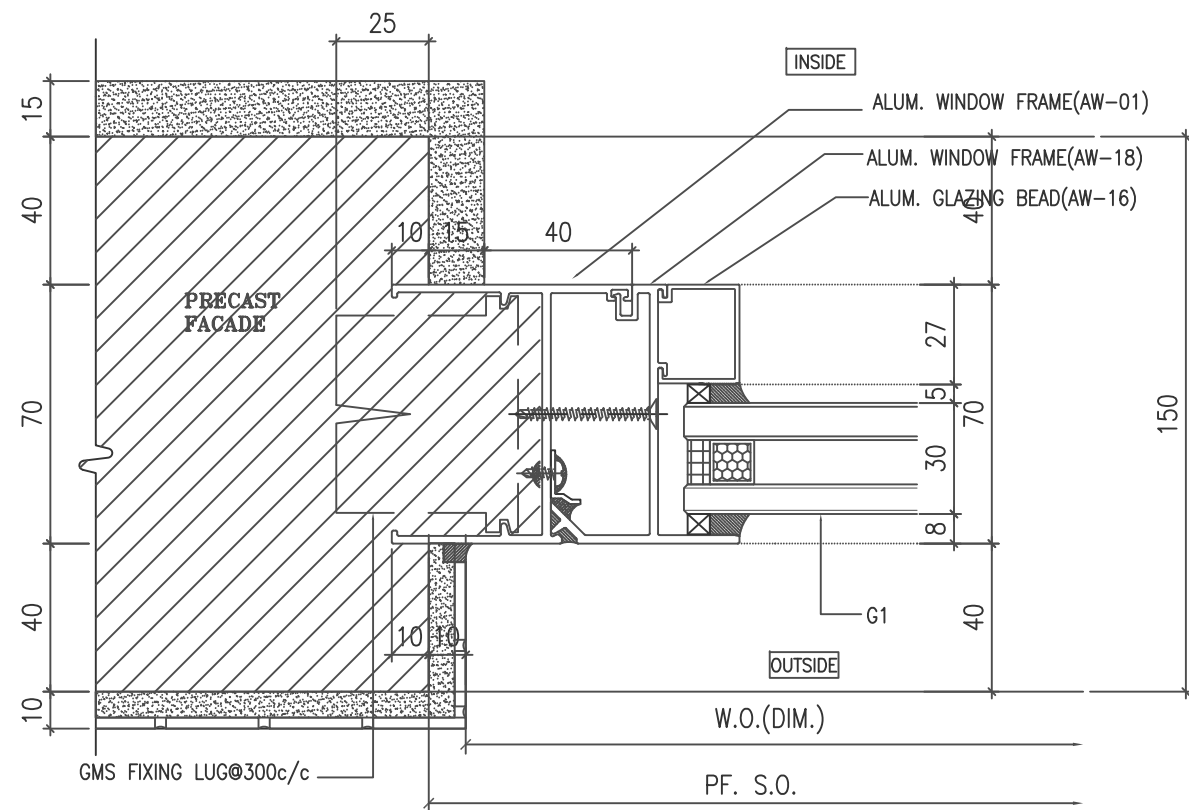
FACADE CONSULTANT:  
**ALPHA CONSULTING LIMITED**  
 Steel Structure & Facade Specialist

MAIN CONTRACTOR :  
**Sanfield Engineering Construction Ltd.**

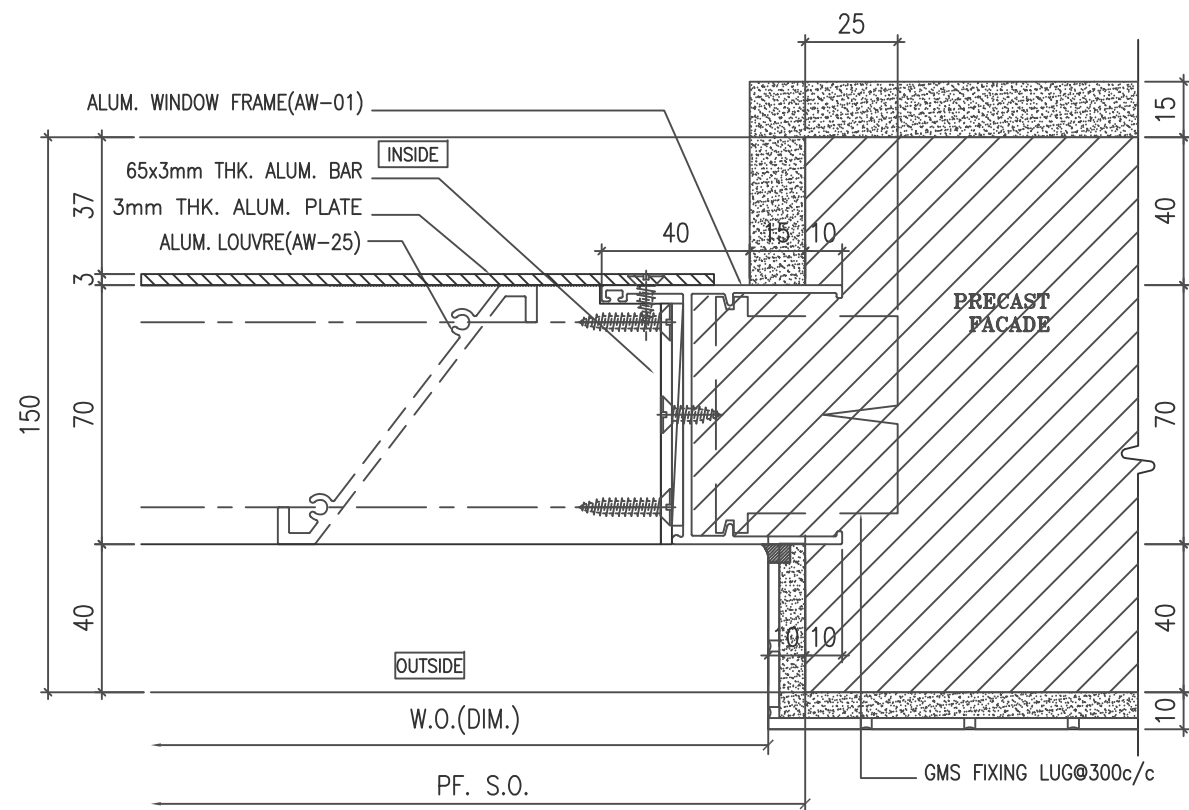
CLIENT :  
**SUN HUNG KAI**  
 REAL ESTATE AGENCY LTD.  
 42/F SUN HUNG KAI CENTRE, WANCHAI, HONGKONG

- NOTE :
1. ALL DIMENSIONS ARE IN mm.
  2. ALL ELEVATIONS ARE VIEWED FROM OUTSIDE.
  3. ALL DIMENSIONS TO BE VERIFIED ON SITE BEFORE FABRICATION.
- LEGEND :
- (X1) --- DETAIL MARK NO.  
 (X001) --- REFER SHEET NO.
1. F.F.L. --- FINISHED FLOOR LEVEL
  2. S.F.L. --- STRUCTURAL FLOOR LEVEL
  3. (R) --- REVERSED DETAIL
  4. GLASS LEGEND
- G1 --- 8mmHS+12mm AIR GAP+10mmTP THK. I.G.U.  
 G2 --- 8mmHS+12mm AIR GAP+8mmTP THK. I.G.U.  
 G8 --- 6mm CRYSTAL GREY TP+1.52PVB+6mm CLEAR TP

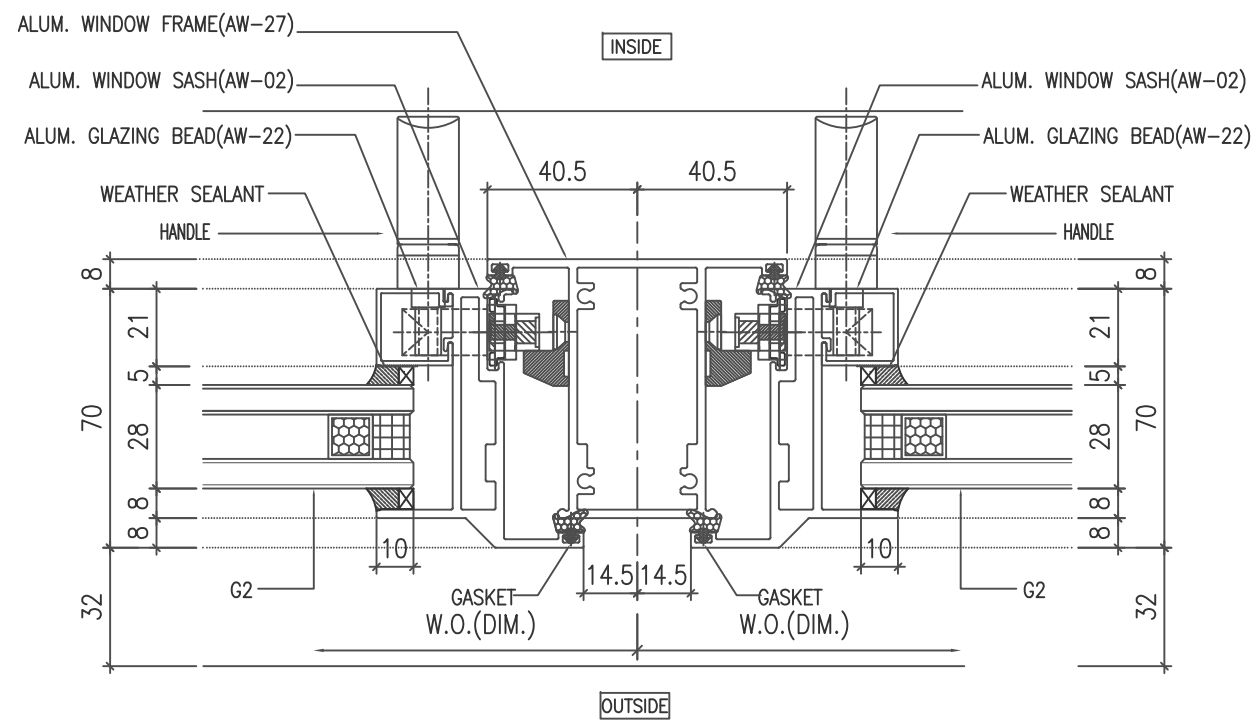
NO.	DATE	REVISED	BY
JOB NO. : J-859			
PROJECT : PROPOSED RESIDENTIAL / COMMERCIAL DEVELOPMENT AT NKIL NO.6551 KAI TAK AREA 4C, SITE 3 KAI TAK, KOWLOON			
TITLE : TYPICAL DETAILS FOR ALUM. WINDOW			
DATE : 10-Nov-21	SCALE : 1:2 (A3)		
DRAWN BY : LHR	CHECKED BY :		
<b>美特鋁質有限公司</b> <b>MIDI ALUMINIUM FABRICATOR LTD.</b> Units 6-8, Sunray Industrial Centre, 1/F 610 Cha Kwo Ling Road, Kowloon Tel:23489211-4 Fax:(852)2727666			
DWG NO. : J859-SD-PW-DT62	REV. : -		



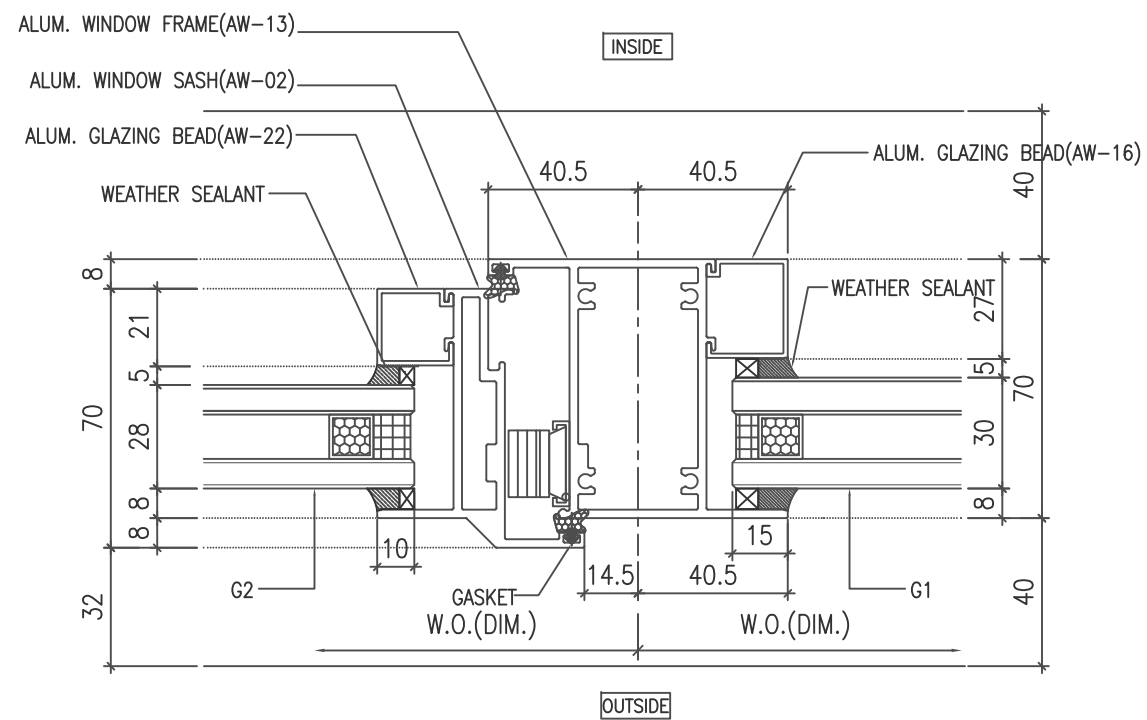
1 HORIZONTAL DETAIL



2 HORIZONTAL DETAIL



3 HORIZONTAL DETAIL



4 HORIZONTAL DETAIL

B.D. REF :

ARCHITECT :  
**WONG TUNG & PARTNERS LIMITED**  
 ARCHITECTS & PLANNERS

STRUCTURAL ENGINEER :  
**SUN HUNG KAI**  
 ARCHITECTS AND ENGINEERS LTD.  
 SUN HUNG KAI CENTRE, WANCHAI, HONGKONG  
 TEL. 28278111 FAX. 28272884

FAÇADE CONSULTANT:  
**ALPHA CONSULTING LIMITED**  
 Steel Structure & Façade Specialist

MAIN CONTRACTOR :  
**Sanfield Engineering Construction Ltd.**

CLIENT :  
**SUN HUNG KAI**  
 REAL ESTATE AGENCY LTD.  
 42/F SUN HUNG KAI CENTRE, WANCHAI, HONGKONG

NOTE :  
 1. ALL DIMENSIONS ARE IN mm.  
 2. ALL ELEVATIONS ARE VIEWED FROM OUTSIDE.  
 3. ALL DIMENSIONS TO BE VERIFIED ON SITE BEFORE FABRICATION.

LEGEND :  

 x1 — DETAIL MARK NO.  
 x001 — REFER SHEET NO.  
 1. F.F.L. -- FINISHED FLOOR LEVEL  
 2. S.F.L. -- STRUCTURAL FLOOR LEVEL  
 3. (R) -- REVERSED DETAIL  
 4. GLASS LEGEND  
 G1 -- 8mmHS+12mm AIR GAP+10mmTP THK. I.G.U.  
 G2 -- 8mmHS+12mm AIR GAP+8mmTP THK. I.G.U.  
 G8 -- 6mm CRYSTAL GREY TP+1.52PVB+6mm CLEAR TP

NO.	DATE	REVISED	BY

JOB NO. : J-859  
 PROJECT : PROPOSED RESIDENTIAL / COMMERCIAL DEVELOPMENT AT NKIL NO.6551 KAI TAK AREA 4C, SITE 3 KAI TAK, KOWLOON

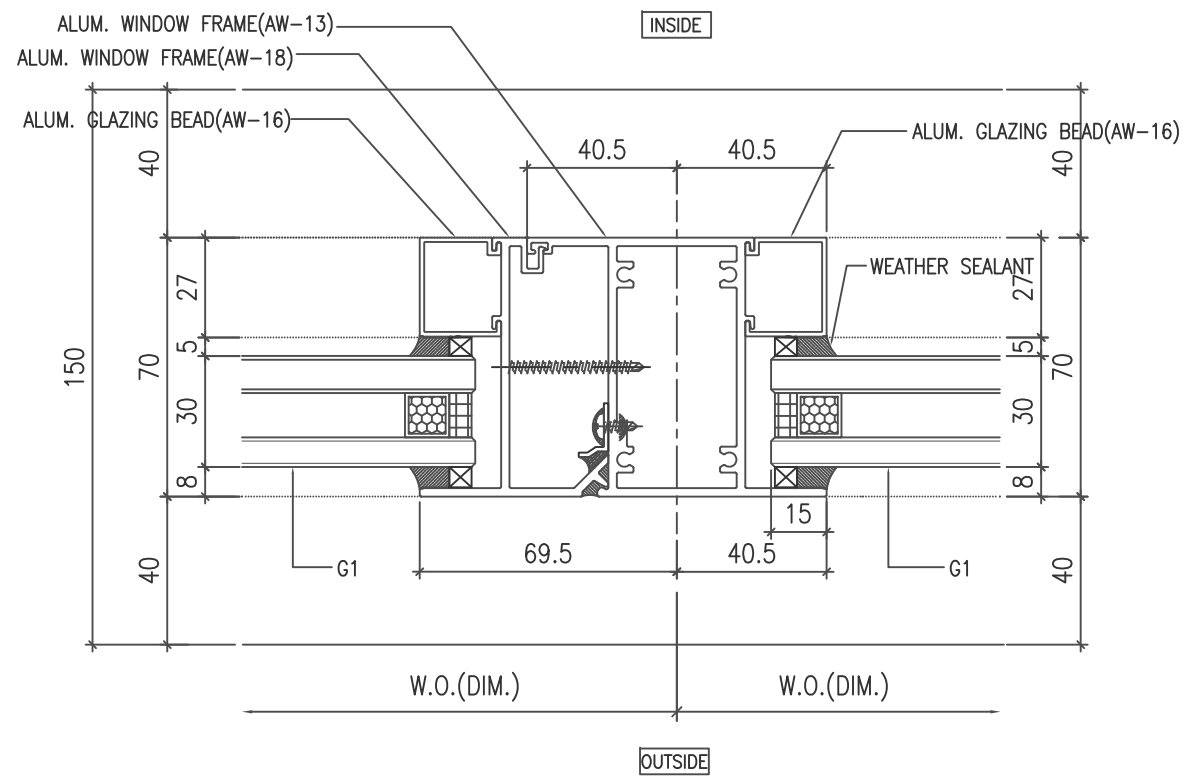
TITLE : TYPICAL DETAILS FOR ALUM. WINDOW

DATE : 10-Nov-21 SCALE : 1:2 (A3)

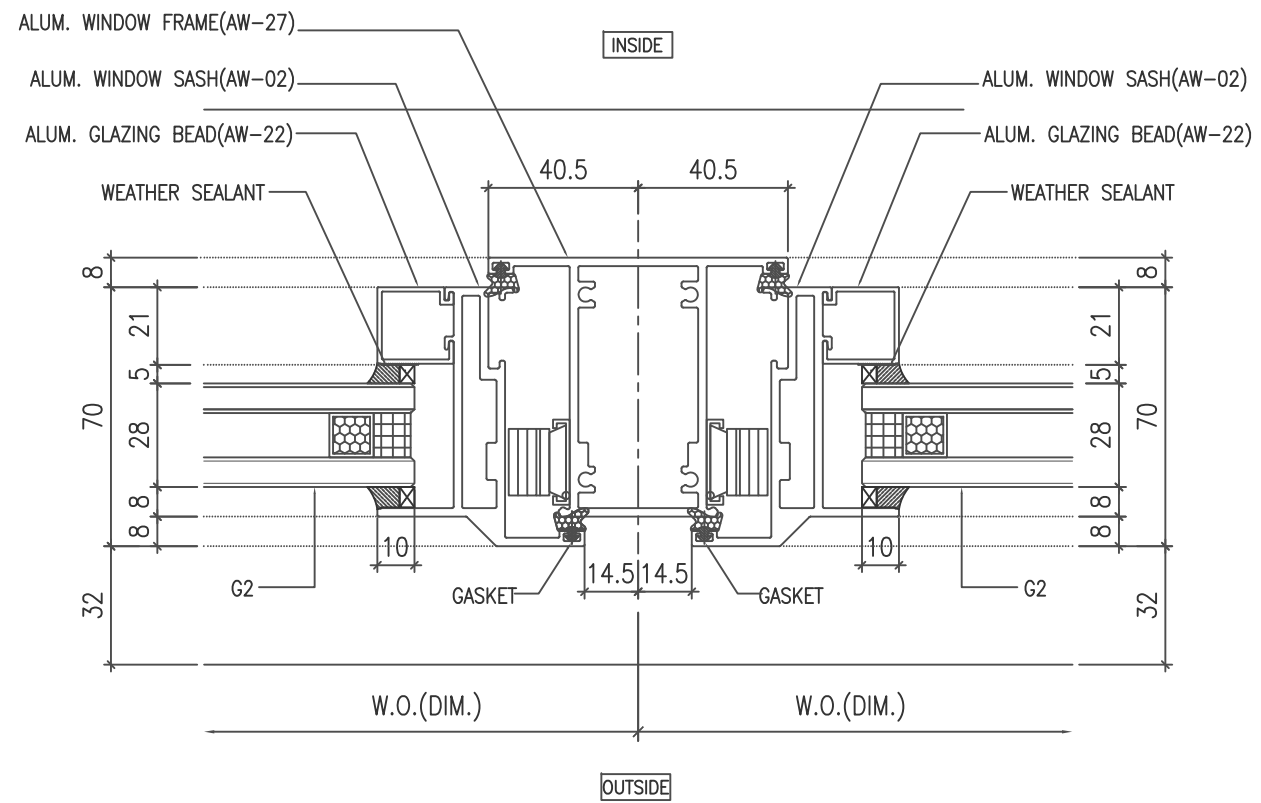
DRAWN BY : LHR CHECKED BY :

**美特鋁質有限公司**  
 MIDI ALUMINIUM FABRICATOR LTD.  
 Units 6-8, Sunray Industrial Centre, 1/F  
 610 Cha Kwo Ling Road, Kowloon  
 Tel:23489211-4 Fax:(852)2727666

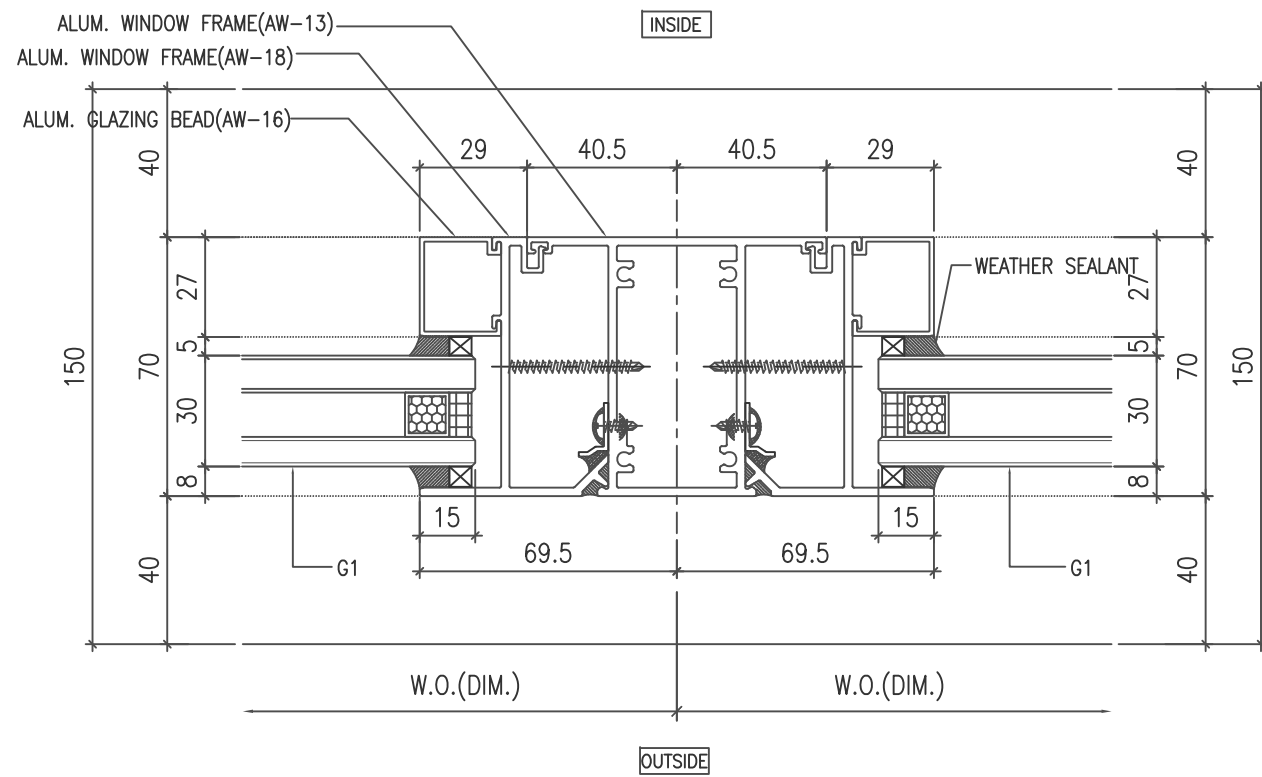
DWG NO. : J859-SD-PW-DT64 REV. : -



1 HORIZONTAL DETAIL



2 HORIZONTAL DETAIL

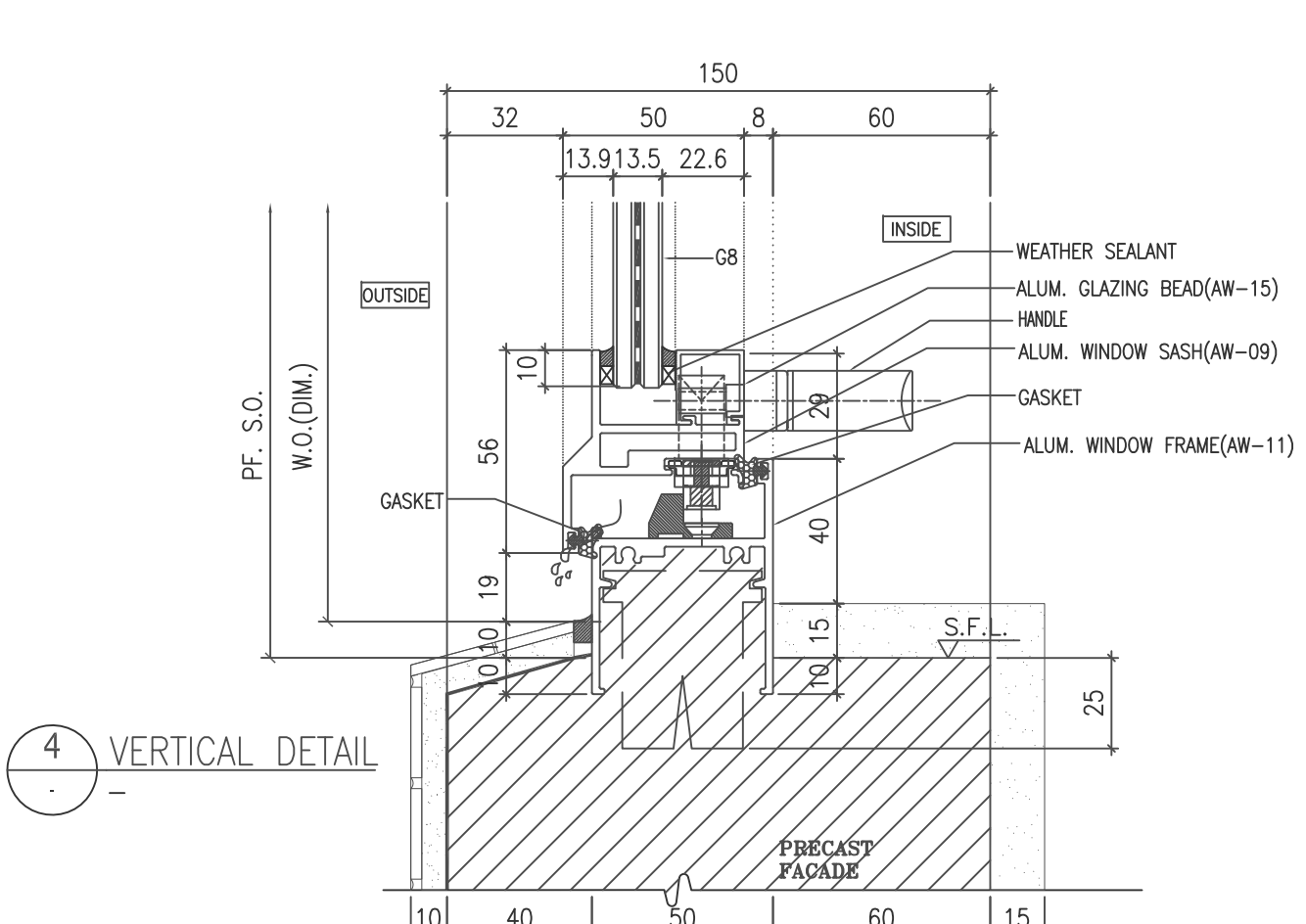
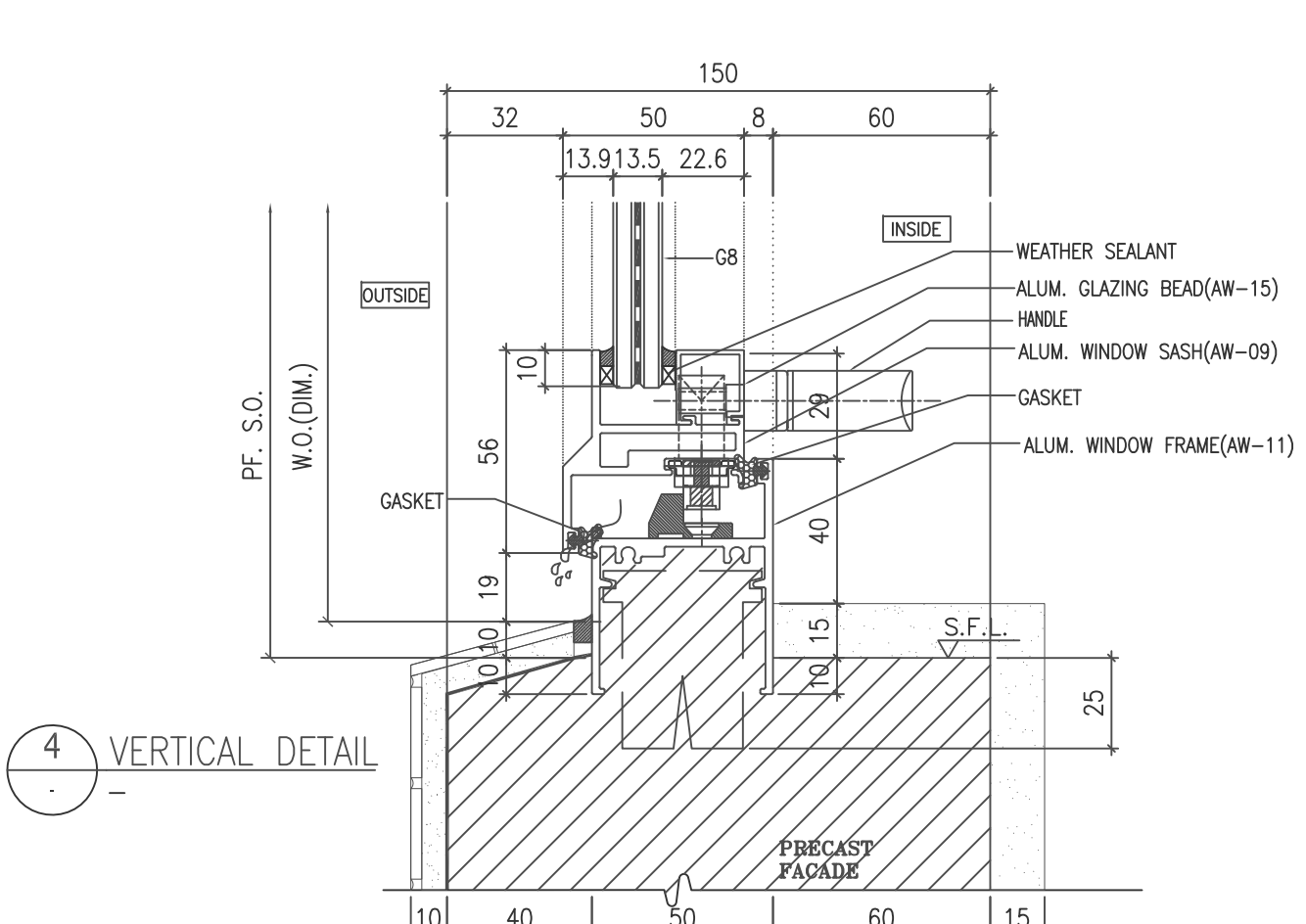
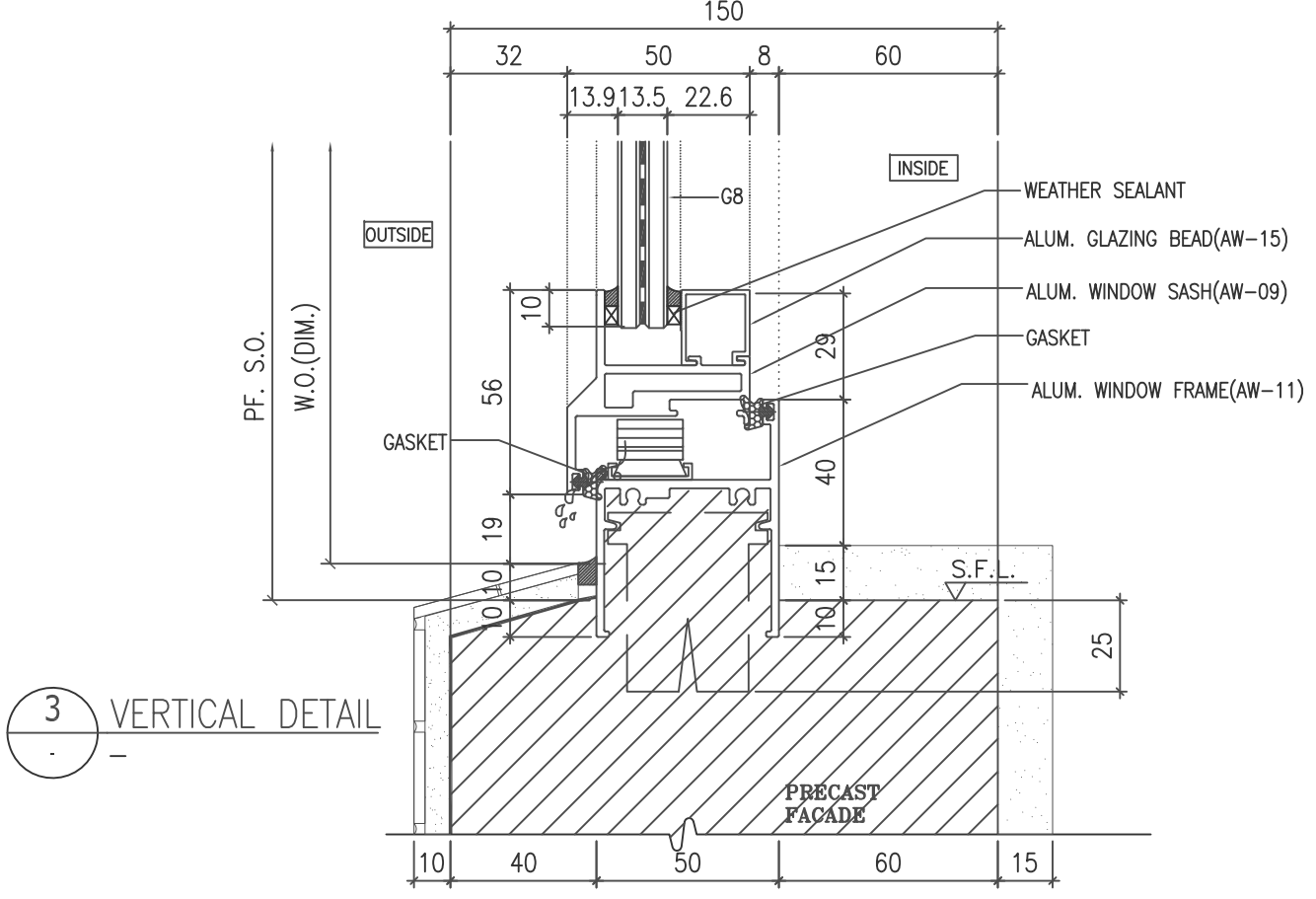
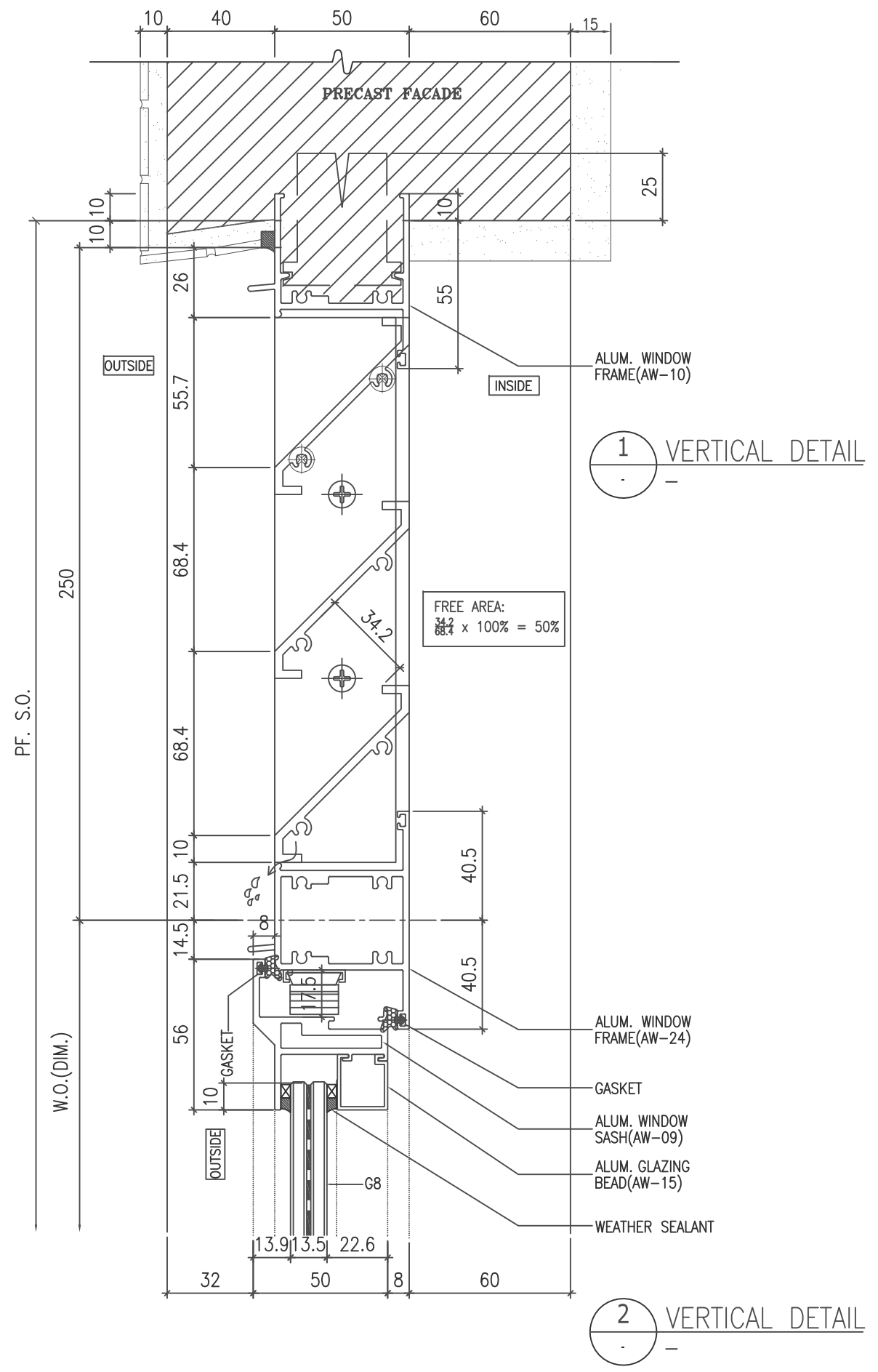


3 HORIZONTAL DETAIL

B.D. REF :  
 ARCHITECT :  
**WT WONG TUNG & PARTNERS LIMITED**  
 ARCHITECTS & PLANNERS  
 STRUCTURAL ENGINEER :  
**SUN HUNG KAI**  
 ARCHITECTS AND ENGINEERS LTD.  
 SUN HUNG KAI CENTRE, WANCHAI, HONGKONG  
 TEL. 28278111 FAX. 28272884  
 FACADE CONSULTANT:  
**ALPHA CONSULTING LIMITED**  
 Steel Structure & Facade Specialist  
 MAIN CONTRACTOR :  
**Sanfield Engineering Construction Ltd.**  
 CLIENT :  
**SUN HUNG KAI**  
 REAL ESTATE AGENCY LTD.  
 42/F SUN HUNG KAI CENTRE, WANCHAI, HONGKONG

NOTE :  
 1. ALL DIMENSIONS ARE IN mm.  
 2. ALL ELEVATIONS ARE VIEWED FROM OUTSIDE.  
 3. ALL DIMENSIONS TO BE VERIFIED ON SITE BEFORE FABRICATION.  
 LEGEND :  
 x1 - DETAIL MARK NO.  
 x001 - REFER SHEET NO.  
 1. F.F.L. -- FINISHED FLOOR LEVEL  
 2. S.F.L. -- STRUCTURAL FLOOR LEVEL  
 3. (R) -- REVERSED DETAIL  
 4. GLASS LEGEND  
 G1 -- 8mmHS+12mm AIR GAP+10mmTP THK. I.G.U.  
 G2 -- 8mmHS+12mm AIR GAP+8mmTP THK. I.G.U.  
 G8 -- 6mm CRYSTAL GREY TP+1.52PVB+6mm CLEAR TP

NO.	DATE	REVISED	BY
JOB NO. : J-859			
PROJECT : PROPOSED RESIDENTIAL / COMMERCIAL DEVELOPMENT AT NKIL NO.6551 KAI TAK AREA 4C, SITE 3 KAI TAK, KOWLOON			
TITLE : TYPICAL DETAILS FOR ALUM. WINDOW			
DATE : 10-Nov-21		SCALE : 1:2 (A3)	
DRAWN BY : LHR		CHECKED BY :	
<b>美特铝质有限公司</b> <b>MIDI ALUMINIUM FABRICATOR LTD.</b> Units 6-8, Sunray Industrial Centre, 1/F 610 Cha Kwo Ling Road, Kowloon Tel:23489211-4 Fax:(852)2727666			
DWG NO. : J859-SD-PW-DT65			REV. : -

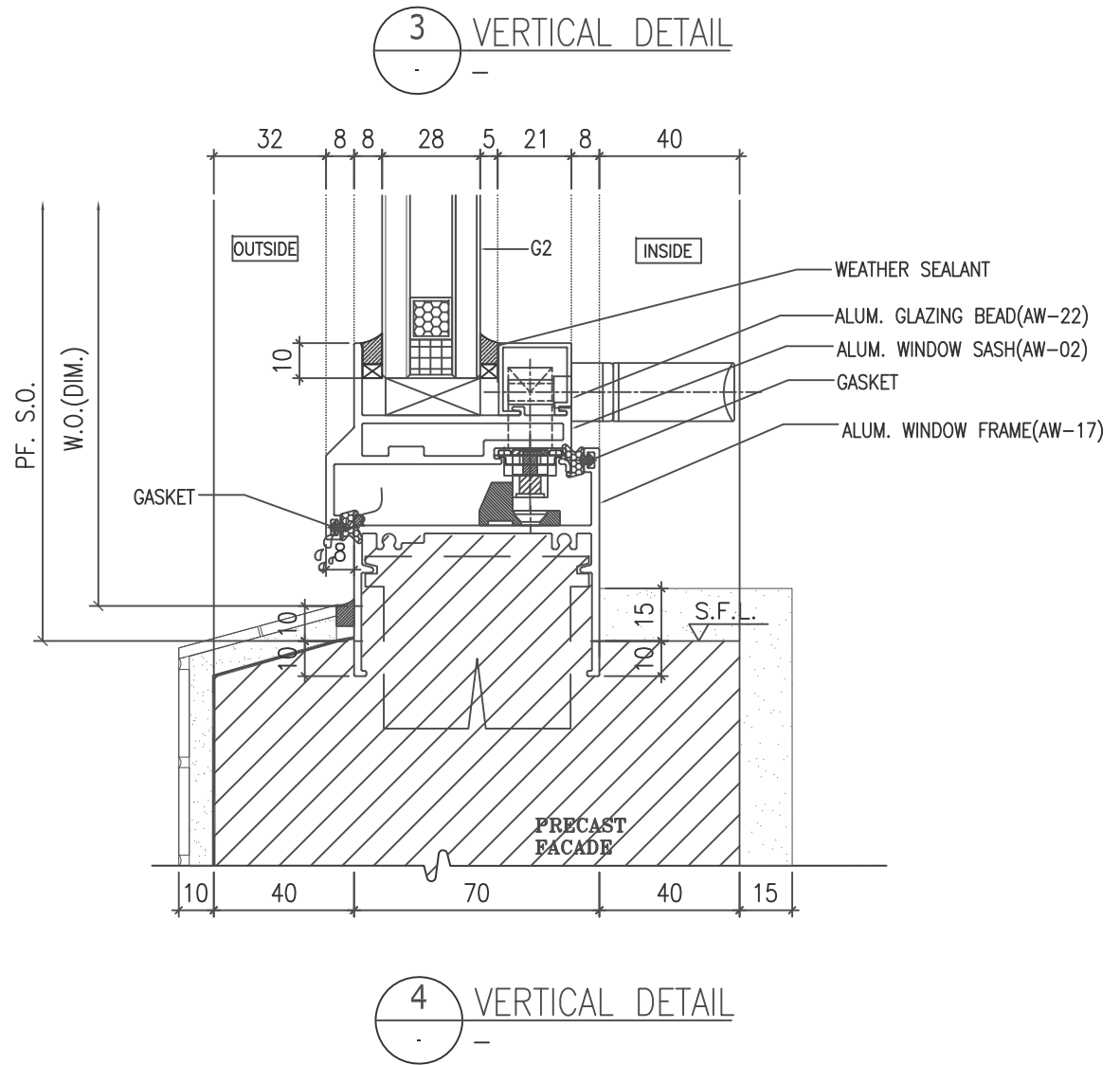
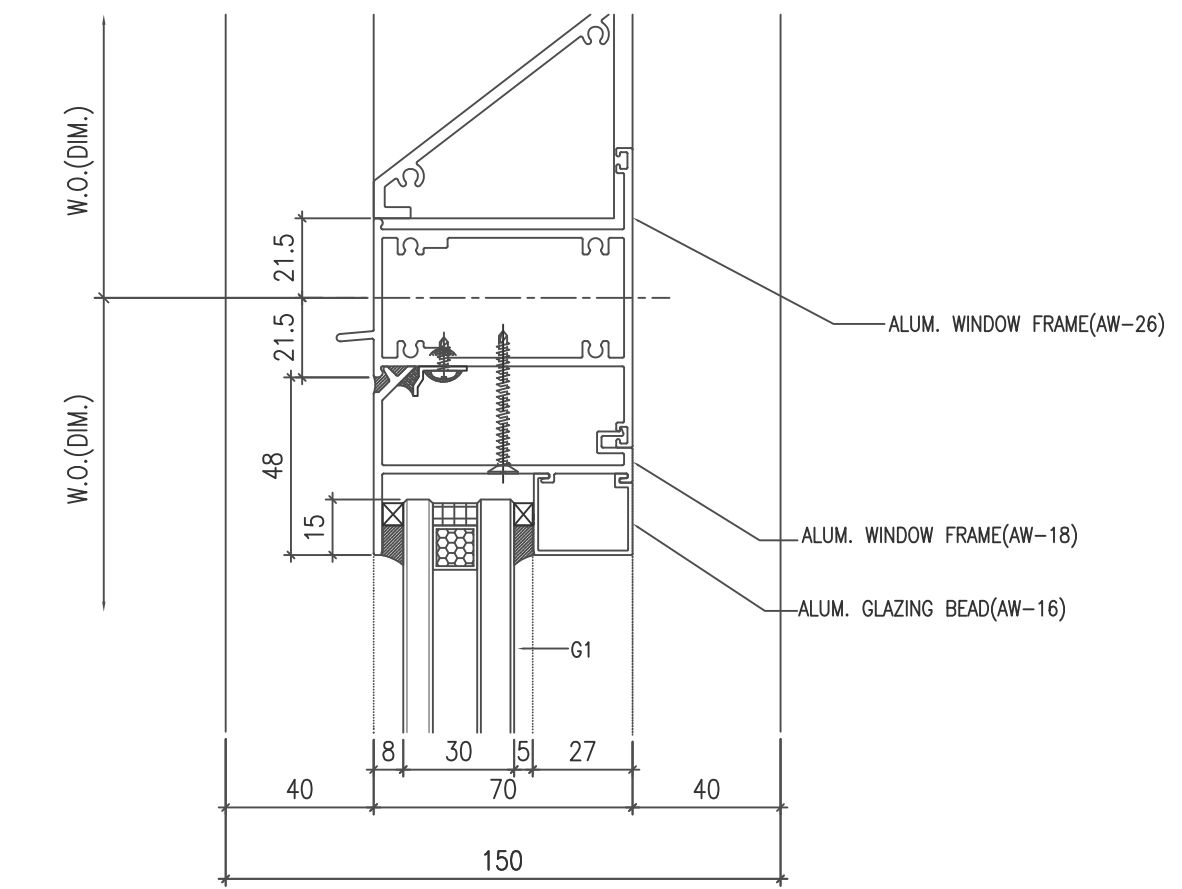
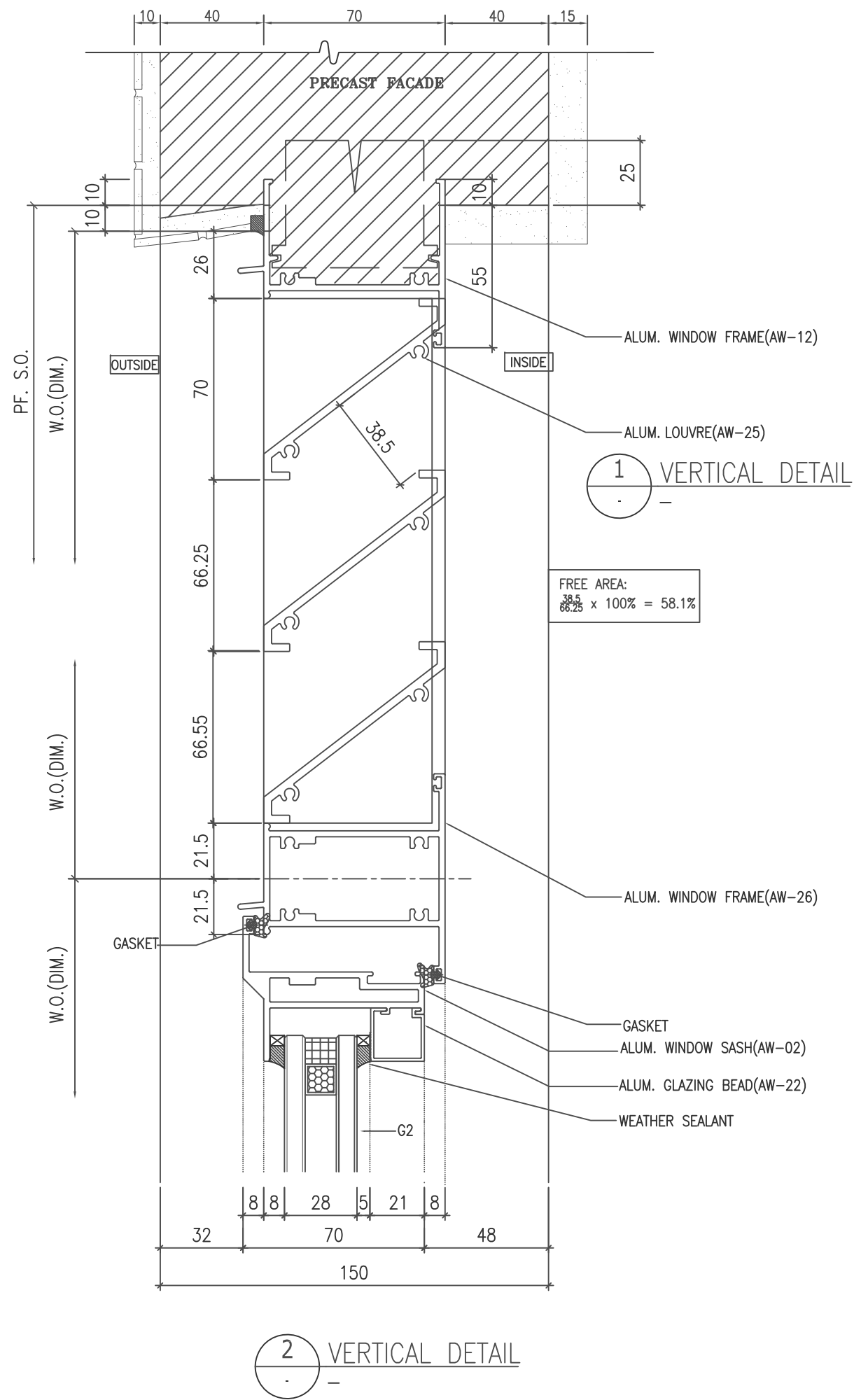


B.D. REF :  
 ARCHITECT :  
**WT WONG TUNG & PARTNERS LIMITED**  
 ARCHITECTS & PLANNERS  
 STRUCTURAL ENGINEER :  
**SUN HUNG KAI**  
 ARCHITECTS AND ENGINEERS LTD.  
 SUN HUNG KAI CENTRE, WANCHAI, HONGKONG  
 TEL. 28278111 FAX. 28272884  
 FACADE CONSULTANT:  
**α ALPHA CONSULTING LIMITED**  
 Steel Structure & Facade Specialist  
 MAIN CONTRACTOR :  
**Sanfield Engineering**  
 Construction Ltd.  
 CLIENT :  
**SUN HUNG KAI**  
 REAL ESTATE AGENCY LTD.  
 42/F SUN HUNG KAI CENTRE, WANCHAI, HONGKONG

- NOTE :  
 1. ALL DIMENSIONS ARE IN mm.  
 2. ALL ELEVATIONS ARE VIEWED FROM OUTSIDE.  
 3. ALL DIMENSIONS TO BE VERIFIED ON SITE BEFORE FABRICATION.
- LEGEND :  
 (X1) — DETAIL MARK NO.  
 (X001) — REFER SHEET NO.
1. F.F.L. — FINISHED FLOOR LEVEL  
 2. S.F.L. — STRUCTURAL FLOOR LEVEL  
 3. (R) — REVERSED DETAIL  
 4. GLASS LEGEND  
 G1 — 8mmHS+12mm AIR GAP+10mmTP THK. I.G.U.  
 G2 — 8mmHS+12mm AIR GAP+8mmTP THK. I.G.U.  
 G8 — 6mm CRYSTAL GREY TP+1.52PVB+6mm CLEAR TP

NO.	DATE	REVISED	BY
JOB NO. : J-859			
PROJECT : PROPOSED RESIDENTIAL / COMMERCIAL DEVELOPMENT AT NKIL NO.6551 KAI TAK AREA 4C, SITE 3 KAI TAK, KOWLOON			
TITLE : TYPICAL DETAILS FOR ALUM. WINDOW			
DATE : 10-Nov-21		SCALE : 1:2 (A3)	
DRAWN BY : LHR		CHECKED BY :	
<b>美特鋁質有限公司</b> MIDI ALUMINIUM FABRICATOR LTD. Units 6-8, Sunray Industrial Centre, 1/F 610 Cha Kwo Ling Road, Kowloon Tel:23489211-4 Fax:(852)2727666			
DWG NO. : J859-SD-PW-DT71		REV. : -	





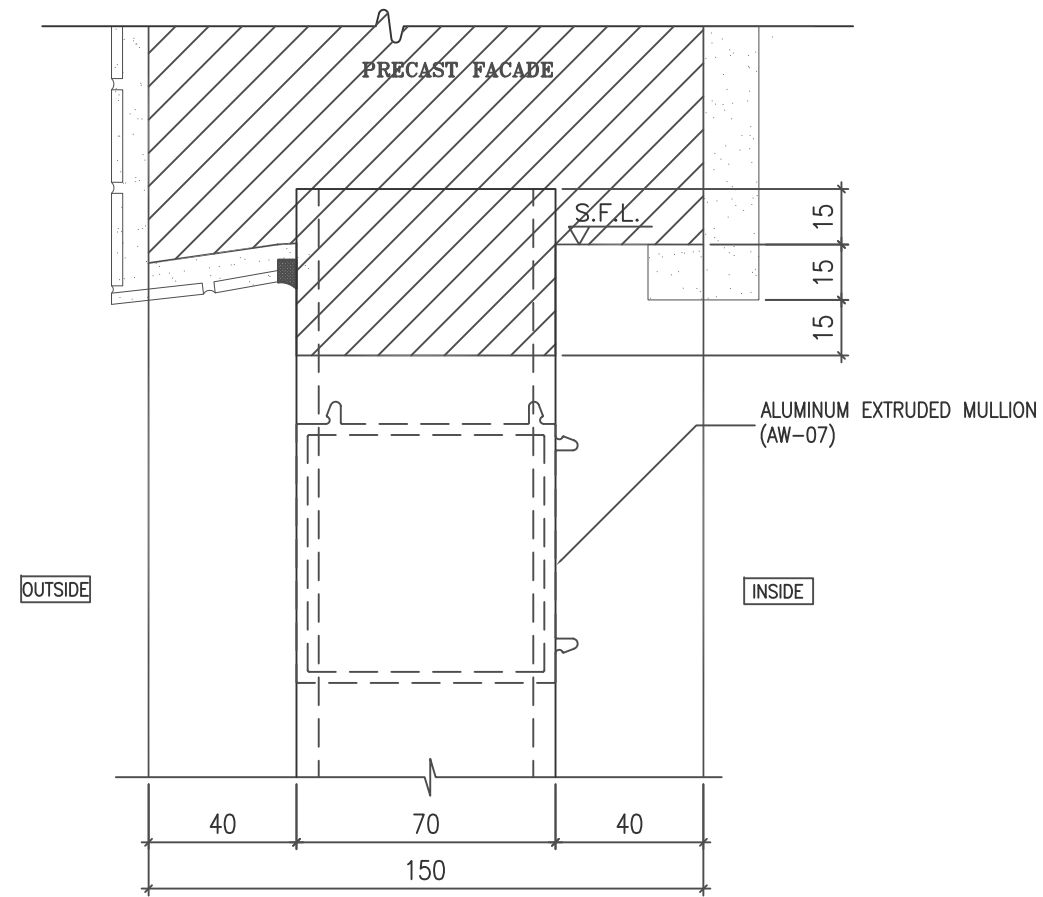
B.D. REF :  
 ARCHITECT :  
**WT** WONG TUNG & PARTNERS LIMITED  
 ARCHITECTS & PLANNERS  
 STRUCTURAL ENGINEER :  
**SUN HUNG KAI**  
 ARCHITECTS AND ENGINEERS LTD.  
 SUN HUNG KAI CENTRE, WANCHAI, HONGKONG  
 TEL: 28278111 FAX: 28272884  
 FACADE CONSULTANT:  
**α** ALPHA CONSULTING LIMITED  
 Steel Structure & Facade Specialist  
 MAIN CONTRACTOR :  
 Sanfield Engineering  
 Construction Ltd.  
 CLIENT :  
**SUN HUNG KAI**  
 REAL ESTATE AGENCY LTD.  
 42/F SUN HUNG KAI CENTRE, WANCHAI, HONGKONG

NOTE :  
 1. ALL DIMENSIONS ARE IN mm.  
 2. ALL ELEVATIONS ARE VIEWED FROM OUTSIDE.  
 3. ALL DIMENSIONS TO BE VERIFIED ON SITE BEFORE FABRICATION.

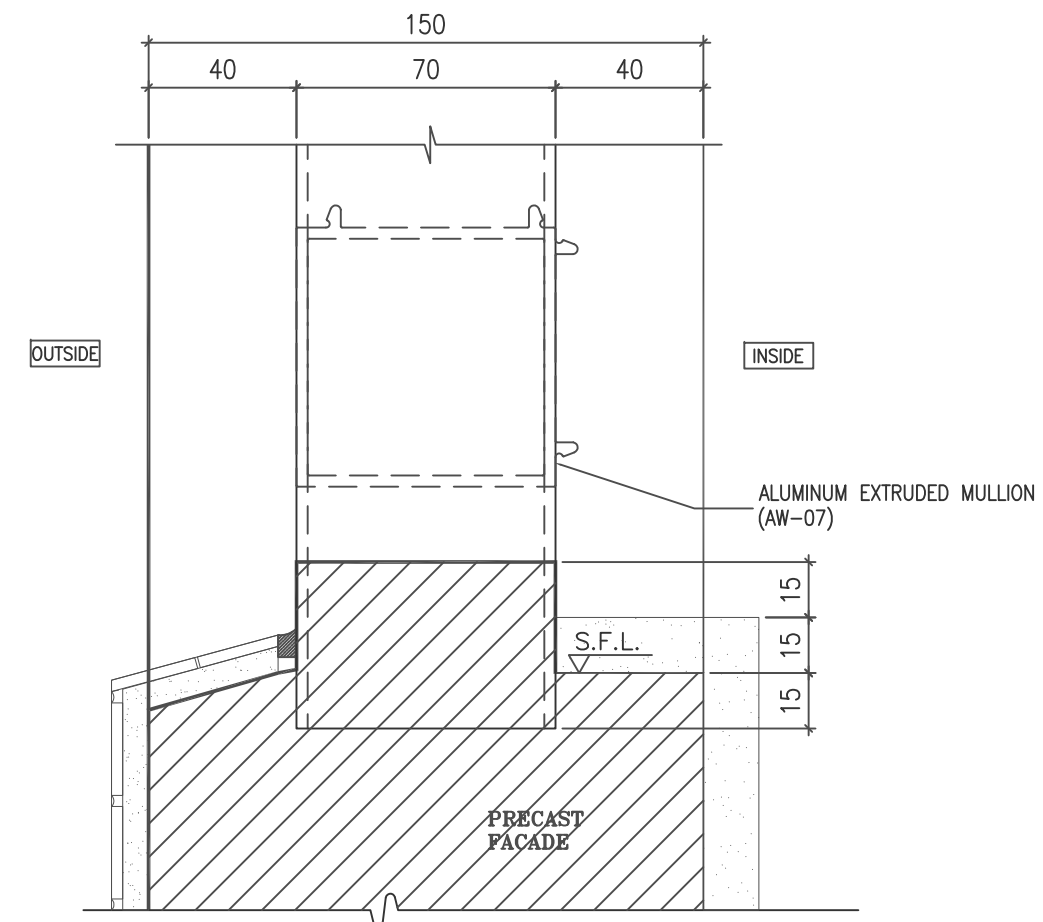
LEGEND :  
 (X1) — DETAIL MARK NO.  
 (X001) — REFER SHEET NO.

1. F.F.L. — FINISHED FLOOR LEVEL  
 2. S.F.L. — STRUCTURAL FLOOR LEVEL  
 3. (R) — REVERSED DETAIL  
 4. GLASS LEGEND  
 G1 — 8mmHS+12mm AIR GAP+10mmTP THK. I.G.U.  
 G2 — 8mmHS+12mm AIR GAP+8mmTP THK. I.G.U.  
 G8 — 6mm CRYSTAL GREY TP+1.52PVB+6mm CLEAR TP

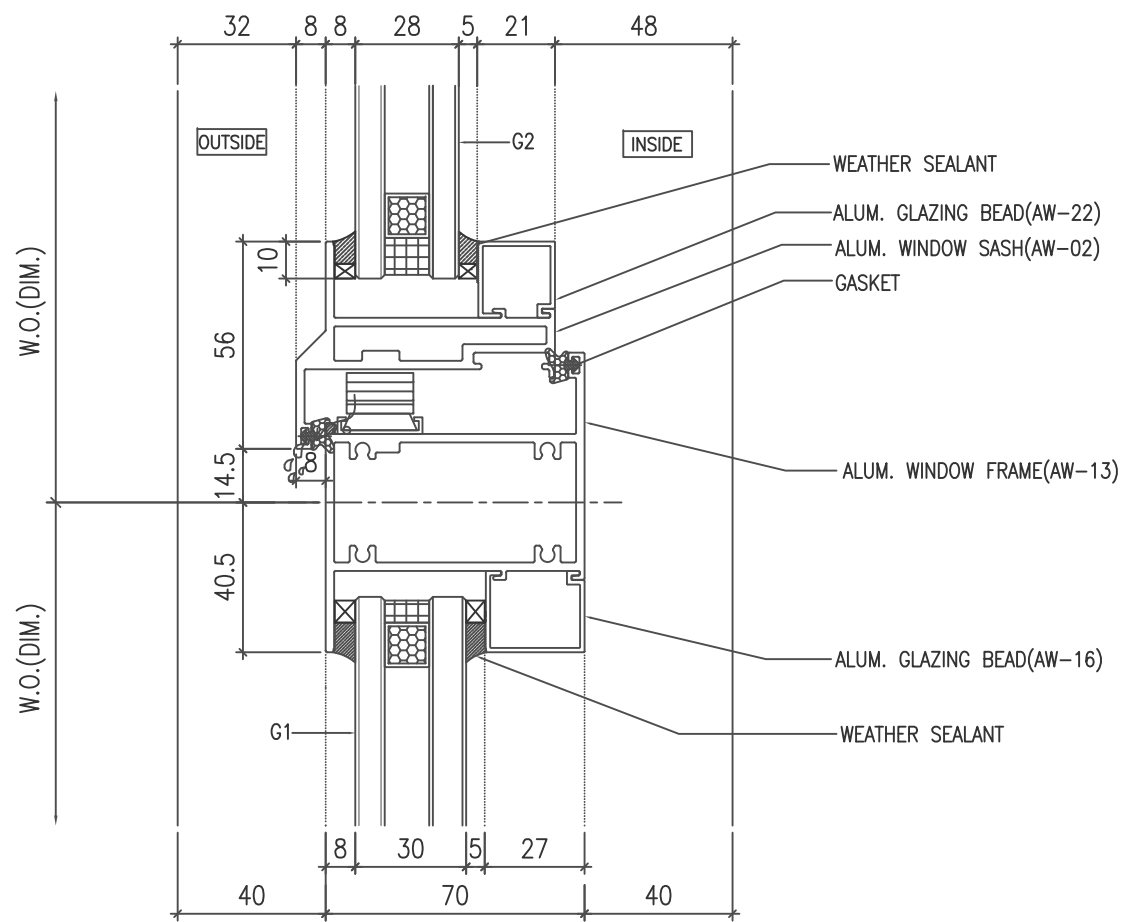
NO.	DATE	REVISED	BY
JOB NO. : J-859			
PROJECT : PROPOSED RESIDENTIAL / COMMERCIAL DEVELOPMENT AT NKIL NO.6551 KAI TAK AREA 4C, SITE 3 KAI TAK, KOWLOON			
TITLE : TYPICAL DETAILS FOR ALUM. WINDOW			
DATE : 10-Nov-21		SCALE : 1:2 (A3)	
DRAWN BY : LHR		CHECKED BY :	
<b>美特鋁質有限公司</b> <b>MIDI ALUMINIUM FABRICATOR LTD.</b> Units 6-8, Sunray Industrial Centre, 1/F 610 Cha Kwo Ling Road, Kowloon Tel:23489211-4 Fax:(852)2727666			
DWG NO. : J859-SD-PW-DT73			REV. : -



1 VERTICAL DETAIL



2 VERTICAL DETAIL



3 VERTICAL DETAIL

B.D. REF :

ARCHITECT :  
**WT** WONG TUNG & PARTNERS LIMITED  
 ARCHITECTS & PLANNERS

STRUCTURAL ENGINEER :  
**SUN HUNG KAI**  
 ARCHITECTS AND ENGINEERS LTD.  
 SUN HUNG KAI CENTRE, WANCHAI, HONGKONG  
 TEL. 28278111 FAX. 28272884

FACADE CONSULTANT:  
**α** ALPHA CONSULTING LIMITED  
 Steel Structure & Facade Specialist

MAIN CONTRACTOR :  
 Sanfield Engineering  
 Construction Ltd.

CLIENT :  
**SUN HUNG KAI**  
 REAL ESTATE AGENCY LTD.  
 42/F SUN HUNG KAI CENTRE, WANCHAI, HONGKONG

NOTE :  
 1. ALL DIMENSIONS ARE IN mm.  
 2. ALL ELEVATIONS ARE VIEWED FROM OUTSIDE.  
 3. ALL DIMENSIONS TO BE VERIFIED ON SITE BEFORE FABRICATION.

LEGEND :  
 x1 — DETAIL MARK NO.  
 x001 — REFER SHEET NO.

1. F.F.L. -- FINISHED FLOOR LEVEL  
 2. S.F.L. -- STRUCTURAL FLOOR LEVEL  
 3. (R) -- REVERSED DETAIL  
 4. GLASS LEGEND  
 G1 -- 8mmHS+12mm AIR GAP+10mmTP THK. I.G.U.  
 G2 -- 8mmHS+12mm AIR GAP+8mmTP THK. I.G.U.  
 G8 -- 6mm CRYSTAL GREY TP+1.52PVB+6mm CLEAR TP

NO.	DATE	REVISED	BY

JOB NO. : J-859  
 PROJECT :  
 PROPOSED RESIDENTIAL / COMMERCIAL  
 DEVELOPMENT AT NKIL NO.6551 KAI  
 TAK AREA 4C, SITE 3  
 KAI TAK, KOWLOON

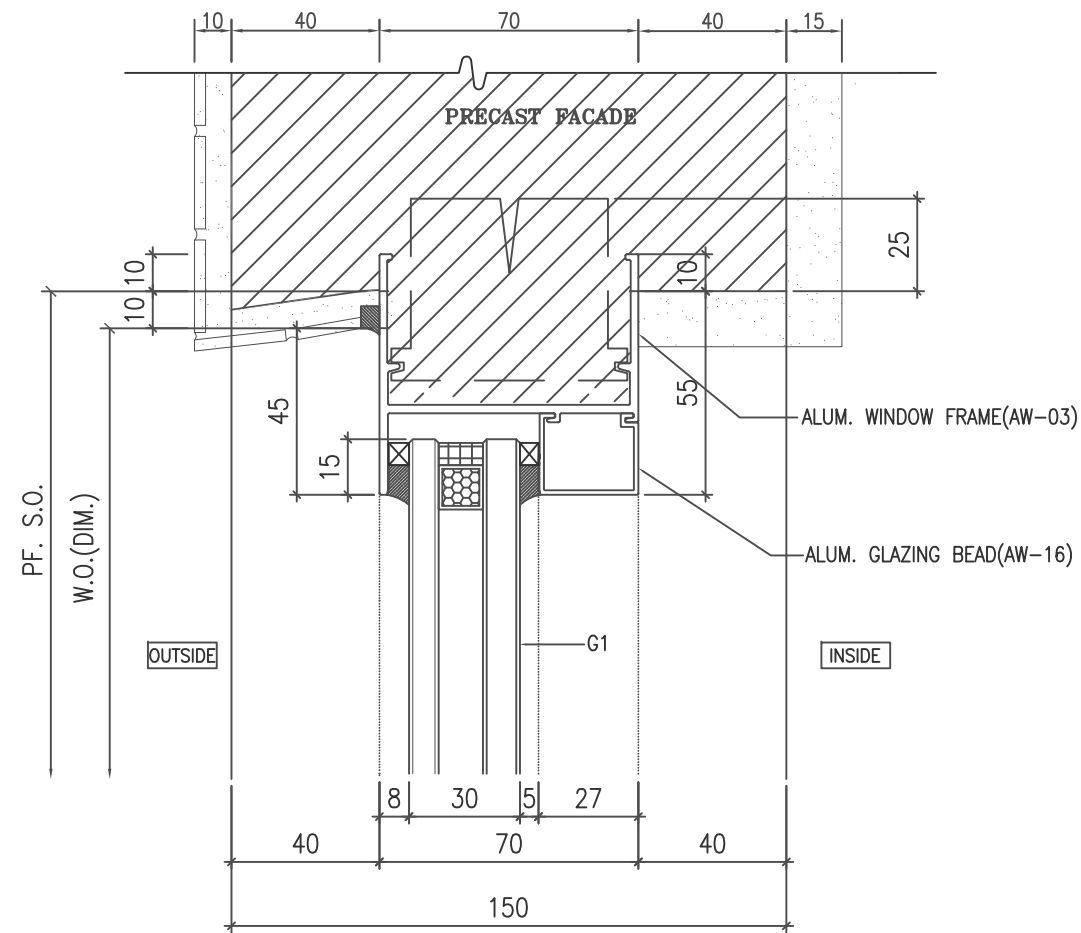
TITLE :  
 TYPICAL DETAILS FOR  
 ALUM. WINDOW

DATE : 10-Nov-21 SCALE : 1:2 (A3)

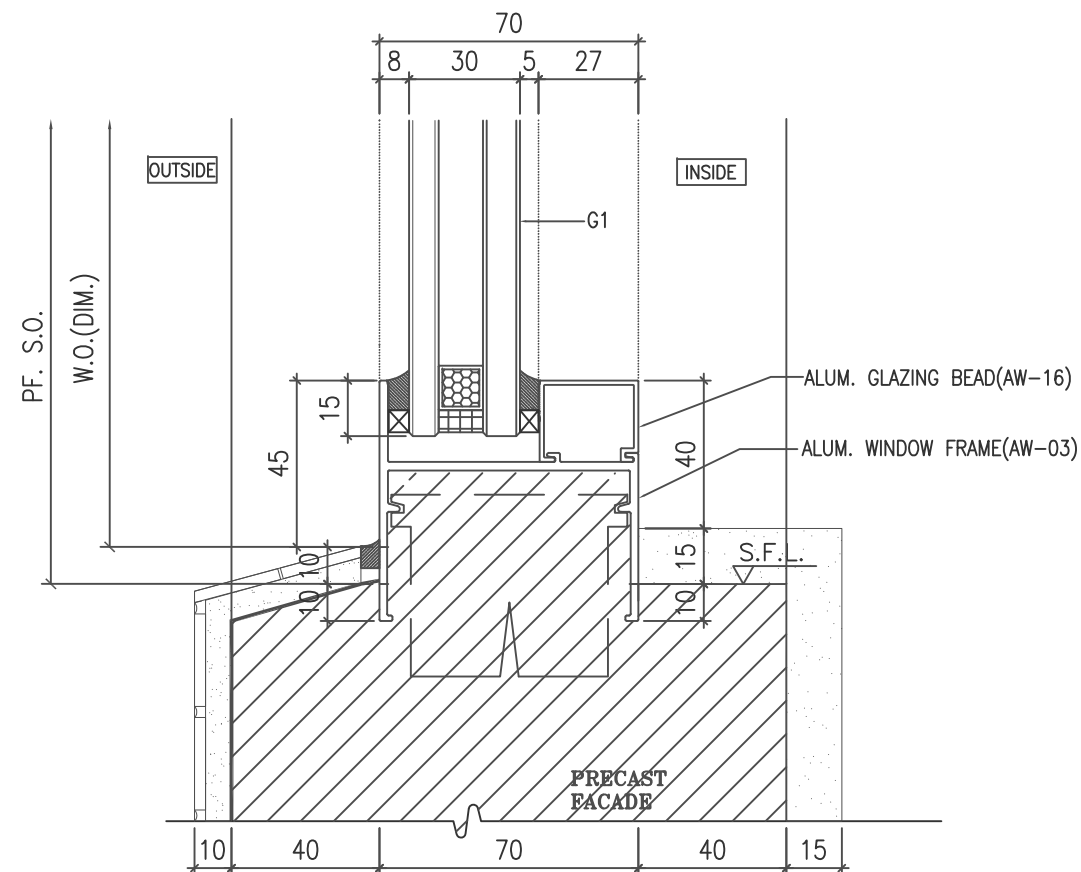
DRAWN BY : LHR CHECKED BY :

**美特鋁質有限公司**  
**MIDI ALUMINIUM FABRICATOR LTD.**  
 Units 6-8, Sunray Industrial Centre, 1/F  
 610 Cha Kwo Ling Road, Kowloon  
 Tel:23489211-4 Fax:(852)2727666

DWG NO. : J859-SD-PW-DT74 REV. : -



1 VERTICAL DETAIL



2 VERTICAL DETAIL

B.D. REF :

ARCHITECT :  
**WT** WONG TUNG & PARTNERS LIMITED  
 ARCHITECTS & PLANNERS

STRUCTURAL ENGINEER :  
**SUN HUNG KAI**  
 ARCHITECTS AND ENGINEERS LTD.  
 SUN HUNG KAI CENTRE, WANCHAI, HONGKONG  
 TEL. 28278111 FAX. 28272884

FACADE CONSULTANT:  
**α** ALPHA CONSULTING LIMITED  
 Steel Structure & Facade Specialist

MAIN CONTRACTOR :  
 Sanfield Engineering  
 Construction Ltd.

CLIENT :  
**SUN HUNG KAI**  
 REAL ESTATE AGENCY LTD.  
 42/F SUN HUNG KAI CENTRE, WANCHAI, HONGKONG

NOTE :  
 1. ALL DIMENSIONS ARE IN mm.  
 2. ALL ELEVATIONS ARE VIEWED FROM OUTSIDE.  
 3. ALL DIMENSIONS TO BE VERIFIED ON SITE BEFORE FABRICATION.

LEGEND :  
 (x1) — DETAIL MARK NO.  
 (x001) — REFER SHEET NO.  
 1. F.F.L. -- FINISHED FLOOR LEVEL  
 2. S.F.L. -- STRUCTURAL FLOOR LEVEL  
 3. (R) -- REVERSED DETAIL  
 4. GLASS LEGEND  
 G1 -- 8mmHS+12mm AIR GAP+10mmTP THK. I.G.U.  
 G2 -- 8mmHS+12mm AIR GAP+8mmTP THK. I.G.U.  
 G8 -- 6mm CRYSTAL GREY TP+1.52PVB+6mm CLEAR TP

NO.	DATE	REVISED	BY

JOB NO. : J-859  
 PROJECT : PROPOSED RESIDENTIAL / COMMERCIAL DEVELOPMENT AT NKIL NO.6551 KAI TAK AREA 4C, SITE 3 KAI TAK, KOWLOON

TITLE : TYPICAL DETAILS FOR ALUM. WINDOW

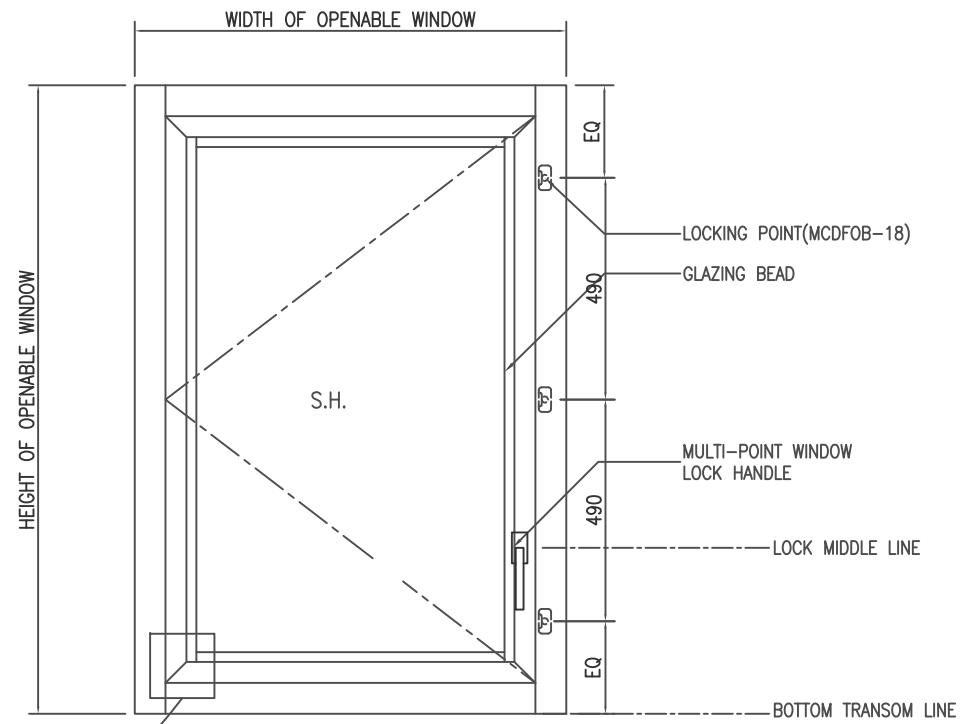
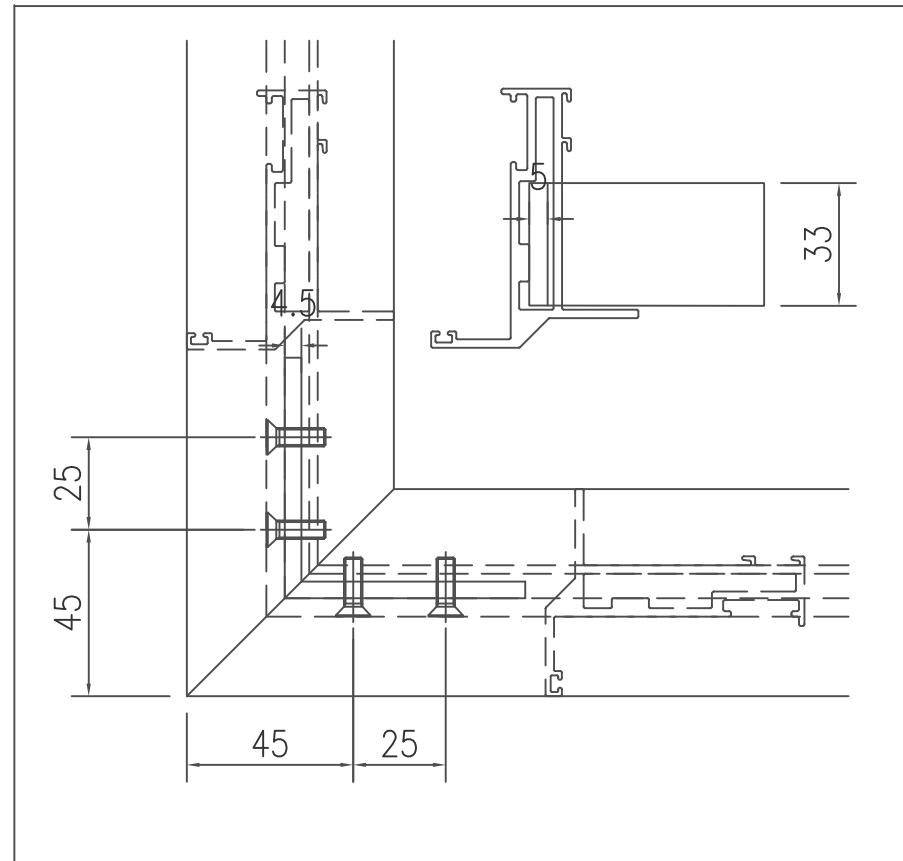
DATE : 10-Nov-21 SCALE : 1:2 (A3)

DRAWN BY : LHR CHECKED BY :

**美特鋁質有限公司**  
**MIDI ALUMINIUM FABRICATOR LTD.**  
 Units 6-8, Sunray Industrial Centre, 1/F  
 610 Cha Kwo Ling Road, Kowloon  
 Tel:23489211-4 Fax:(852)2727666

DWG NO. : J859-SD-PW-DT75 REV. : -

# 70 ALUM. WINDOW



01 TYPICAL SECTION

S.F.L.

B.D. REF :

ARCHITECT :  
**WT** WONG TUNG & PARTNERS LIMITED  
 ARCHITECTS & PLANNERS

STRUCTURAL ENGINEER :  
**SUN HUNG KAI**  
 ARCHITECTS AND ENGINEERS LTD.  
 SUN HUNG KAI CENTRE, WANCHAI, HONGKONG  
 TEL. 28278111 FAX. 28272884

FACADE CONSULTANT:  
**α** ALPHA CONSULTING LIMITED  
 Steel Structure & Facade Specialist

MAIN CONTRACTOR :  
 Sanfield Engineering  
 Construction Ltd.

CLIENT :  
**SUN HUNG KAI**  
 REAL ESTATE AGENCY LTD.  
 42/F SUN HUNG KAI CENTRE, WANCHAI, HONGKONG

NOTE :  
 1. ALL DIMENSIONS ARE IN mm.  
 2. ALL ELEVATIONS ARE VIEWED FROM OUTSIDE.  
 3. ALL DIMENSIONS TO BE VERIFIED ON SITE BEFORE FABRICATION.

LEGEND :  
 X1 -- DETAIL MARK NO.  
 X001 -- REFER SHEET NO.  
 1. F.F.L. -- FINISHED FLOOR LEVEL  
 2. S.F.L. -- STRUCTURAL FLOOR LEVEL  
 3. (R) -- REVERSED DETAIL  
 4. GLASS LEGEND  
 G1 -- 8mmHS+12mm AIR GAP+10mmTP THK. I.G.U.  
 G2 -- 8mmHS+12mm AIR GAP+8mmTP THK. I.G.U.  
 G8 -- 6mm CRYSTAL GREY TP+1.52PVB+6mm CLEAR TP

NO.	DATE	REVISED	BY

JOB NO. : J-859  
 PROJECT : PROPOSED RESIDENTIAL / COMMERCIAL DEVELOPMENT AT NKIL NO.6551 KAI TAK AREA 4C, SITE 3 KAI TAK, KOWLOON

TITLE : ALUM. WINDOW SECTION TYPICAL LOCK & HINGES DETAIL

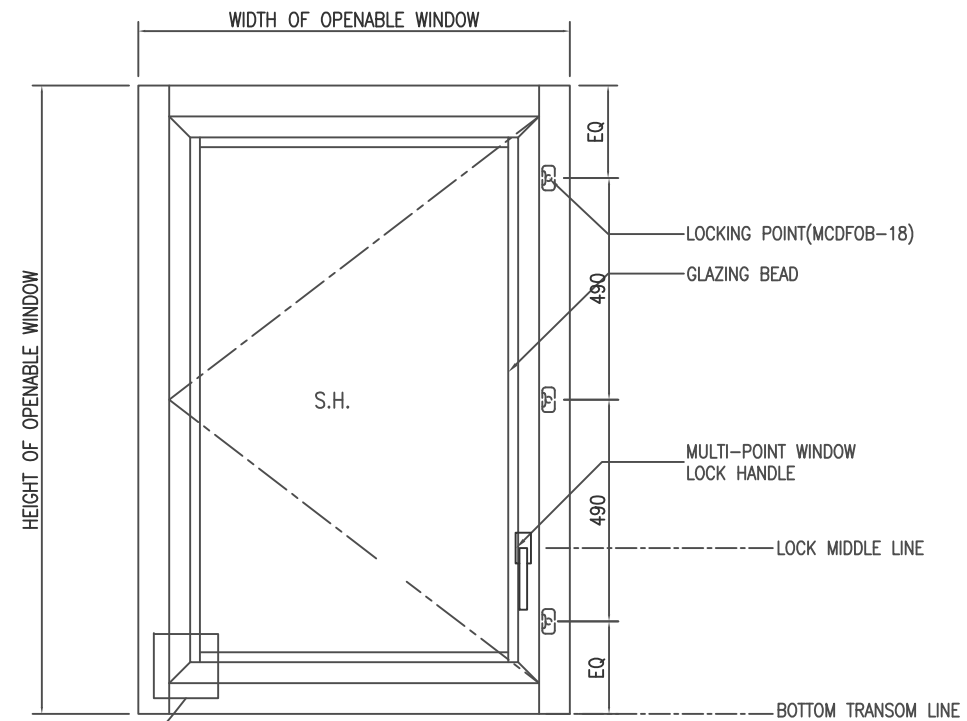
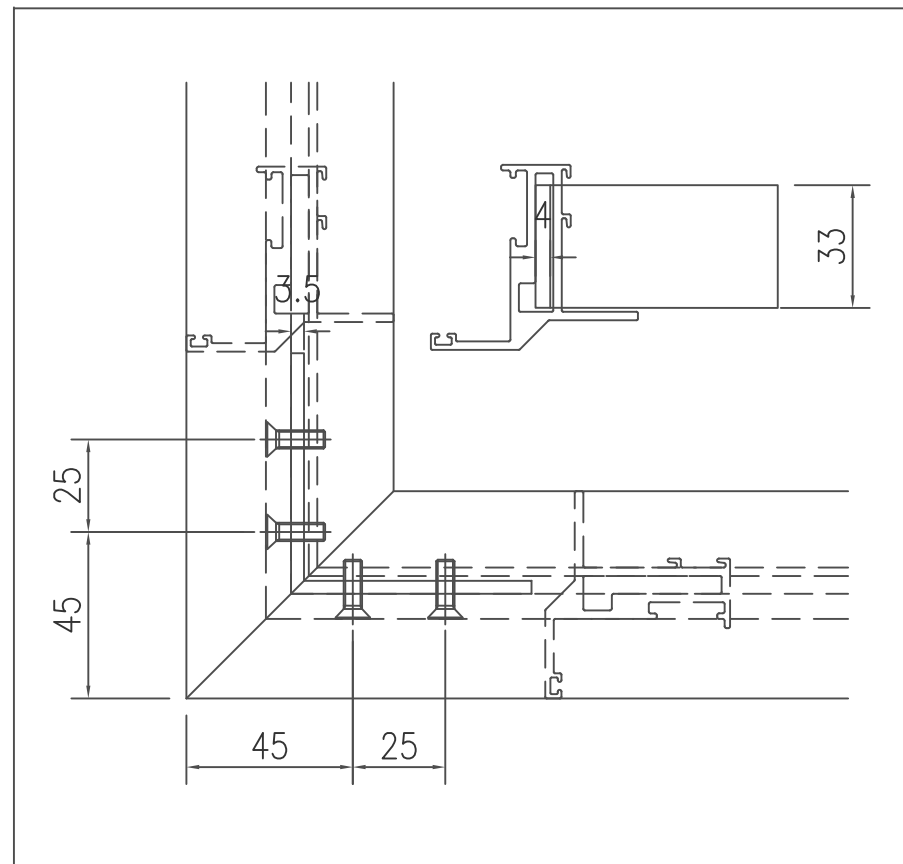
DATE : 10-Nov-21 SCALE : 1:2 (A3)

DRAWN BY : LHR CHECKED BY :

**美特鋁質有限公司**  
**MIDI ALUMINIUM FABRICATOR LTD.**  
 Units 6-8, Sunray Industrial Centre, 1/F  
 610 Cha Kwo Ling Road, Kowloon  
 Tel:23489211-4 Fax:(852)2727666

DWG NO. : J859-SD-PW-DT81 REV. : -

# 50 ALUM. WINDOW



01 TYPICAL SECTION

S.F.L.

B.D. REF :

ARCHITECT :  
**WT** WONG TUNG & PARTNERS LIMITED  
 ARCHITECTS & PLANNERS

STRUCTURAL ENGINEER :  
**SUN HUNG KAI**  
 ARCHITECTS AND ENGINEERS LTD.  
 SUN HUNG KAI CENTRE, WANCHAI, HONGKONG  
 TEL. 28278111 FAX. 28272884

FACADE CONSULTANT:  
**α** ALPHA CONSULTING LIMITED  
 Steel Structure & Facade Specialist

MAIN CONTRACTOR :  
 Sanfield Engineering  
 Construction Ltd.

CLIENT :  
**SUN HUNG KAI**  
 REAL ESTATE AGENCY LTD.  
 42/F SUN HUNG KAI CENTRE, WANCHAI, HONGKONG

NOTE :  
 1. ALL DIMENSIONS ARE IN mm.  
 2. ALL ELEVATIONS ARE VIEWED FROM OUTSIDE.  
 3. ALL DIMENSIONS TO BE VERIFIED ON SITE BEFORE FABRICATION.

LEGEND :  
 (X1) — DETAIL MARK NO.  
 (X001) — REFER SHEET NO.  
 1. F.F.L. -- FINISHED FLOOR LEVEL  
 2. S.F.L. -- STRUCTURAL FLOOR LEVEL  
 3. (R) -- REVERSED DETAIL  
 4. GLASS LEGEND  
 G1 -- 8mmHS+12mm AIR GAP+10mmTP THK. I.G.U.  
 G2 -- 8mmHS+12mm AIR GAP+8mmTP THK. I.G.U.  
 G8 -- 6mm CRYSTAL GREY TP+1.52PVB+6mm CLEAR TP

NO.	DATE	REVISED	BY

JOB NO. : J-859  
 PROJECT :  
 PROPOSED RESIDENTIAL / COMMERCIAL  
 DEVELOPMENT AT NKIL NO.6551 KAI  
 TAK AREA 4C, SITE 3  
 KAI TAK, KOWLOON

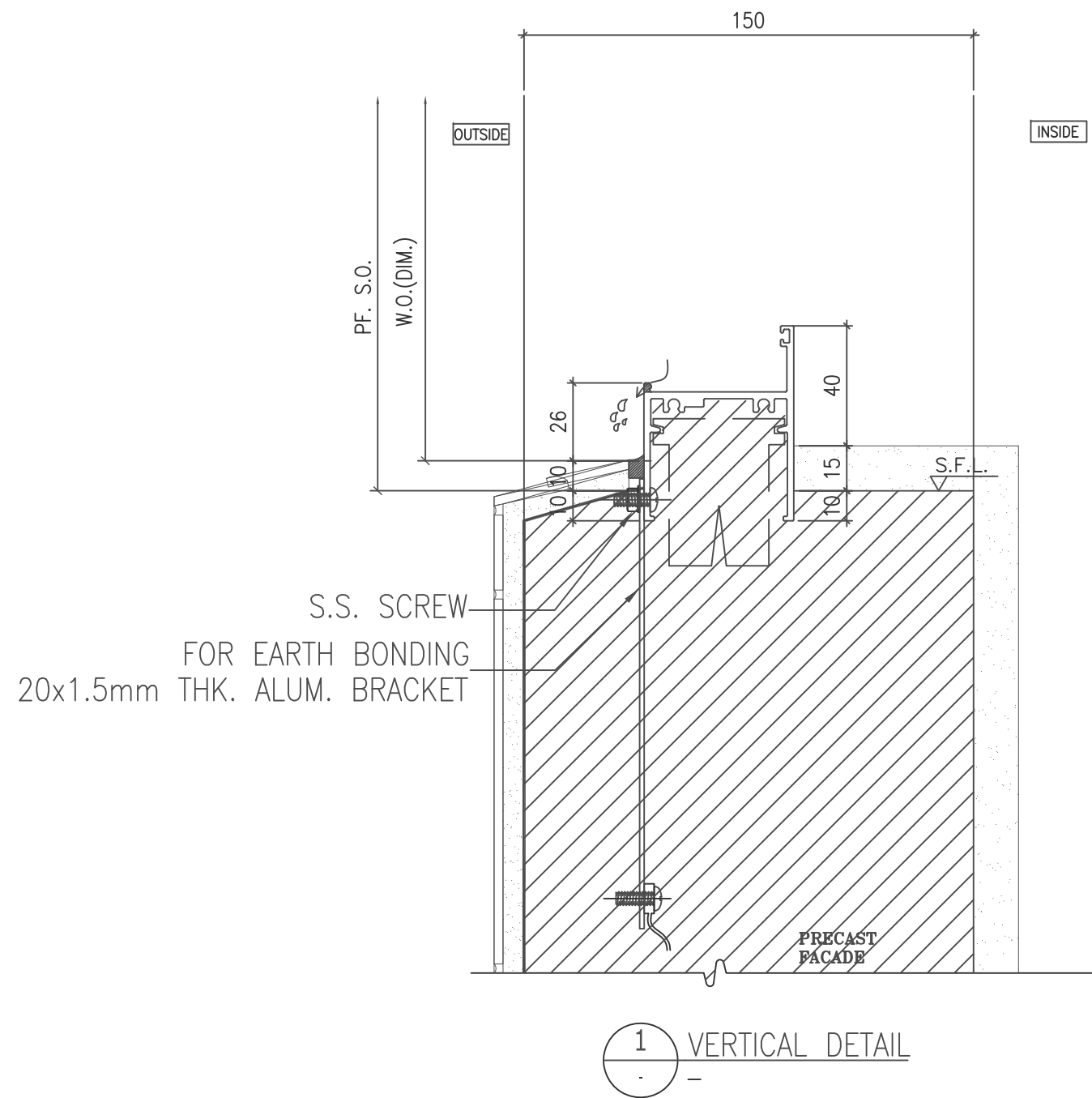
TITLE :  
 ALUM. WINDOW SECTION  
 TYPICAL LOCK & HINGES DETAIL

DATE : 10-Nov-21 SCALE : 1:2 (A3)

DRAWN BY : LHR CHECKED BY :

**美特鋁質有限公司**  
**MIDI ALUMINIUM FABRICATOR LTD.**  
 Units 6-8, Sunray Industrial Centre, 1/F  
 610 Cha Kwo Ling Road, Kowloon  
 Tel:23489211-4 Fax:(852)2727666

DWG NO. : J859-SD-PW-DT82 REV. : -



B.D. REF :  
 . . . . .

ARCHITECT :  
**WT** WONG TUNG & PARTNERS LIMITED  
 ARCHITECTS & PLANNERS

STRUCTURAL ENGINEER :  
**SUN HUNG KAI**  
 ARCHITECTS AND ENGINEERS LTD.  
 SUN HUNG KAI CENTRE, WANCHAI, HONGKONG  
 TEL. 28278111 FAX. 28272884

FACADE CONSULTANT:  
**α** ALPHA CONSULTING LIMITED  
 Steel Structure & Facade Specialist

MAIN CONTRACTOR :  
 Sanfield Engineering  
 Construction Ltd.

CLIENT :  
**SUN HUNG KAI**  
 REAL ESTATE AGENCY LTD.  
 42/F SUN HUNG KAI CENTRE, WANCHAI, HONGKONG

NOTE :  
 1. ALL DIMENSIONS ARE IN mm.  
 2. ALL ELEVATIONS ARE VIEWED FROM OUTSIDE.  
 3. ALL DIMENSIONS TO BE VERIFIED ON SITE BEFORE FABRICATION.

LEGEND :  
 (x1) — DETAIL MARK NO.  
 (X001) — REFER SHEET NO.  
 1. F.F.L. -- FINISHED FLOOR LEVEL  
 2. S.F.L. -- STRUCTURAL FLOOR LEVEL  
 3. (R) -- REVERSED DETAIL  
 4. GLASS LEGEND  
 G1 -- 8mmHS+12mm AIR GAP+10mmTP THK. I.G.U.  
 G2 -- 8mmHS+12mm AIR GAP+8mmTP THK. I.G.U.  
 G8 -- 6mm CRYSTAL GREY TP+1.52PVB+6mm CLEAR TP

NO.	DATE	REVISED	BY

JOB NO. : J-859  
 PROJECT :  
 PROPOSED RESIDENTIAL / COMMERCIAL  
 DEVELOPMENT AT NKIL NO.6551 KAI  
 TAK AREA 4C, SITE 3  
 KAI TAK, KOWLOON

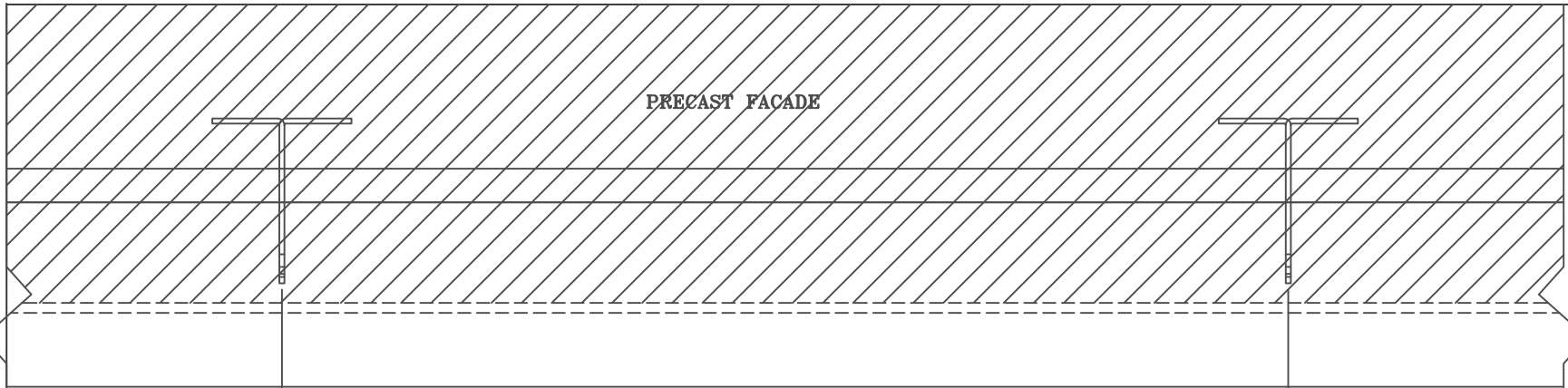
TITLE :  
 TYPICAL EARTHING  
 BONDING DETAILS OF PRECAST

DATE : 10-Nov-21 SCALE : 1:2 (A3)

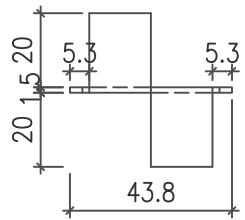
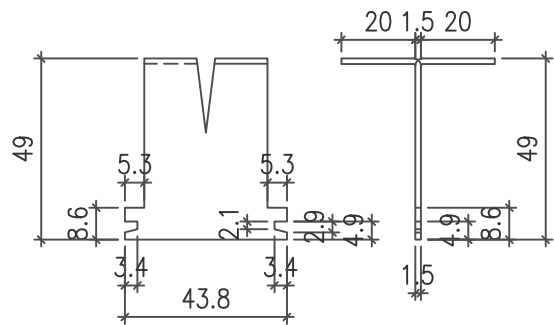
DRAWN BY : LHR CHECKED BY :

**美特鋁質有限公司**  
**MIDI ALUMINIUM FABRICATOR LTD.**  
 Units 6-8, Sunray Industrial Centre, 1/F  
 610 Cha Kwo Ling Road, Kowloon  
 Tel:23489211-4 Fax:(852)2727666

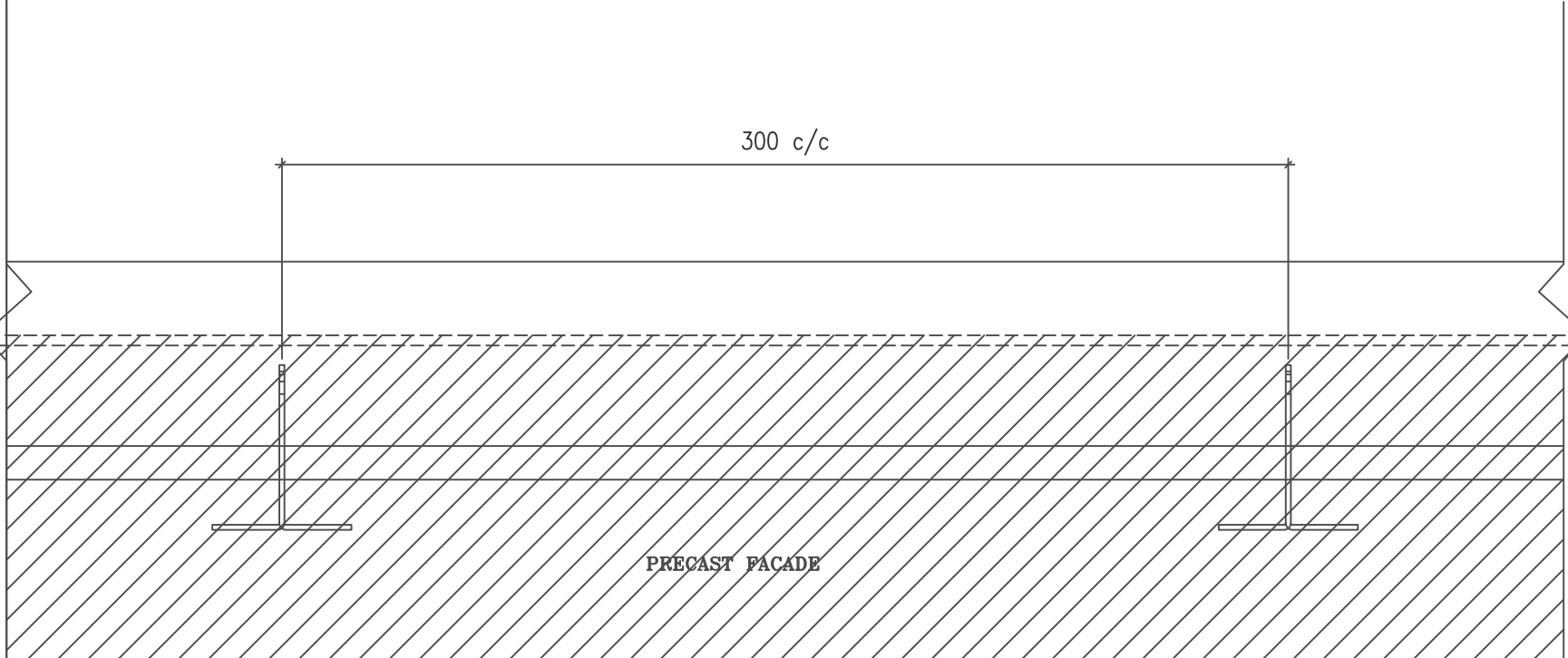
DWG NO. : J859-SD-PW-DT83 REV. : -



300 c/c

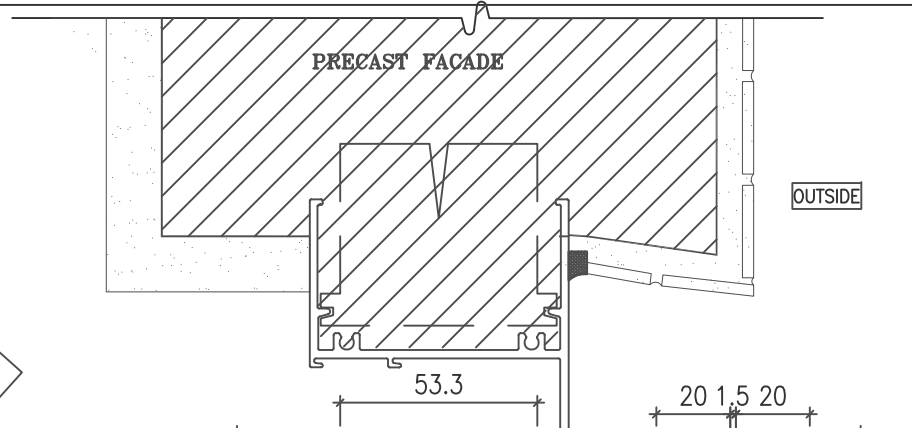


3 HORIZONTAL DETAIL

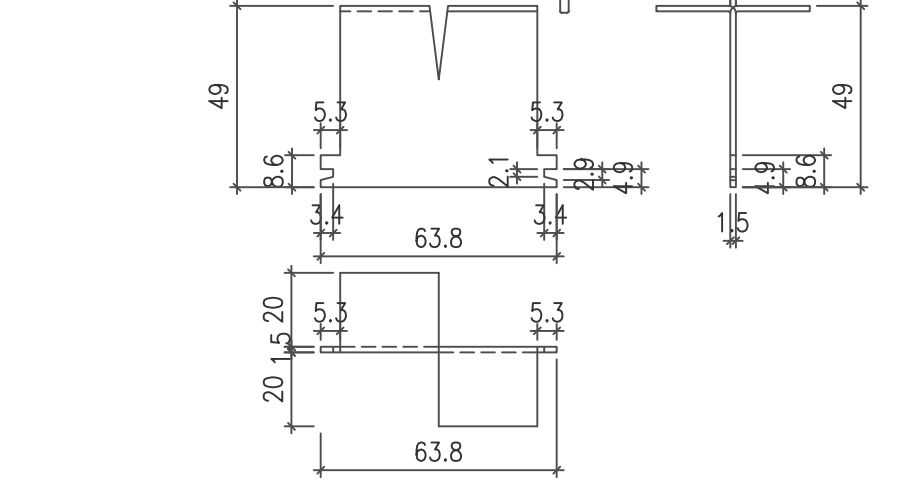


300 c/c

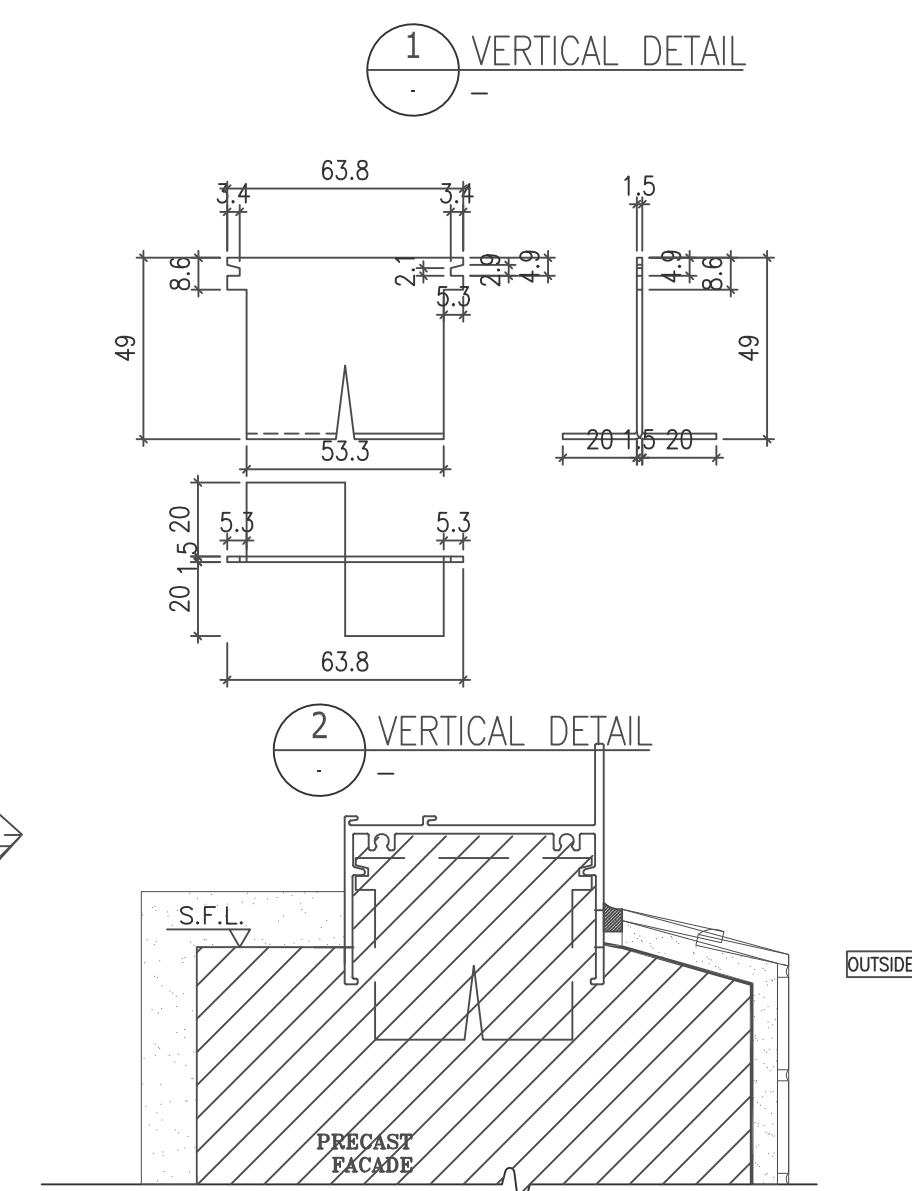
PRECAST FACADE




1 VERTICAL DETAIL





2 VERTICAL DETAIL




B.D. REF :

ARCHITECT :  
 **WONG TUNG & PARTNERS LIMITED**  
 ARCHITECTS & PLANNERS

STRUCTURAL ENGINEER :  
 **SUN HUNG KAI**  
 ARCHITECTS AND ENGINEERS LTD.  
 SUN HUNG KAI CENTRE, WANCHAI, HONGKONG  
 TEL: 28278111 FAX: 28272884

FACADE CONSULTANT:  
 **ALPHA CONSULTING LIMITED**  
 Steel Structure & Facade Specialist

MAIN CONTRACTOR :  
**Sanfield Engineering Construction Ltd.**

CLIENT :  
 **SUN HUNG KAI**  
 REAL ESTATE AGENCY LTD.  
 42/F SUN HUNG KAI CENTRE, WANCHAI, HONGKONG


NOTE :  
 1. ALL DIMENSIONS ARE IN mm.  
 2. ALL ELEVATIONS ARE VIEWED FROM OUTSIDE.  
 3. ALL DIMENSIONS TO BE VERIFIED ON SITE BEFORE FABRICATION.

LEGEND :  
 (x1) — DETAIL MARK NO.  
 (x001) — REFER SHEET NO.

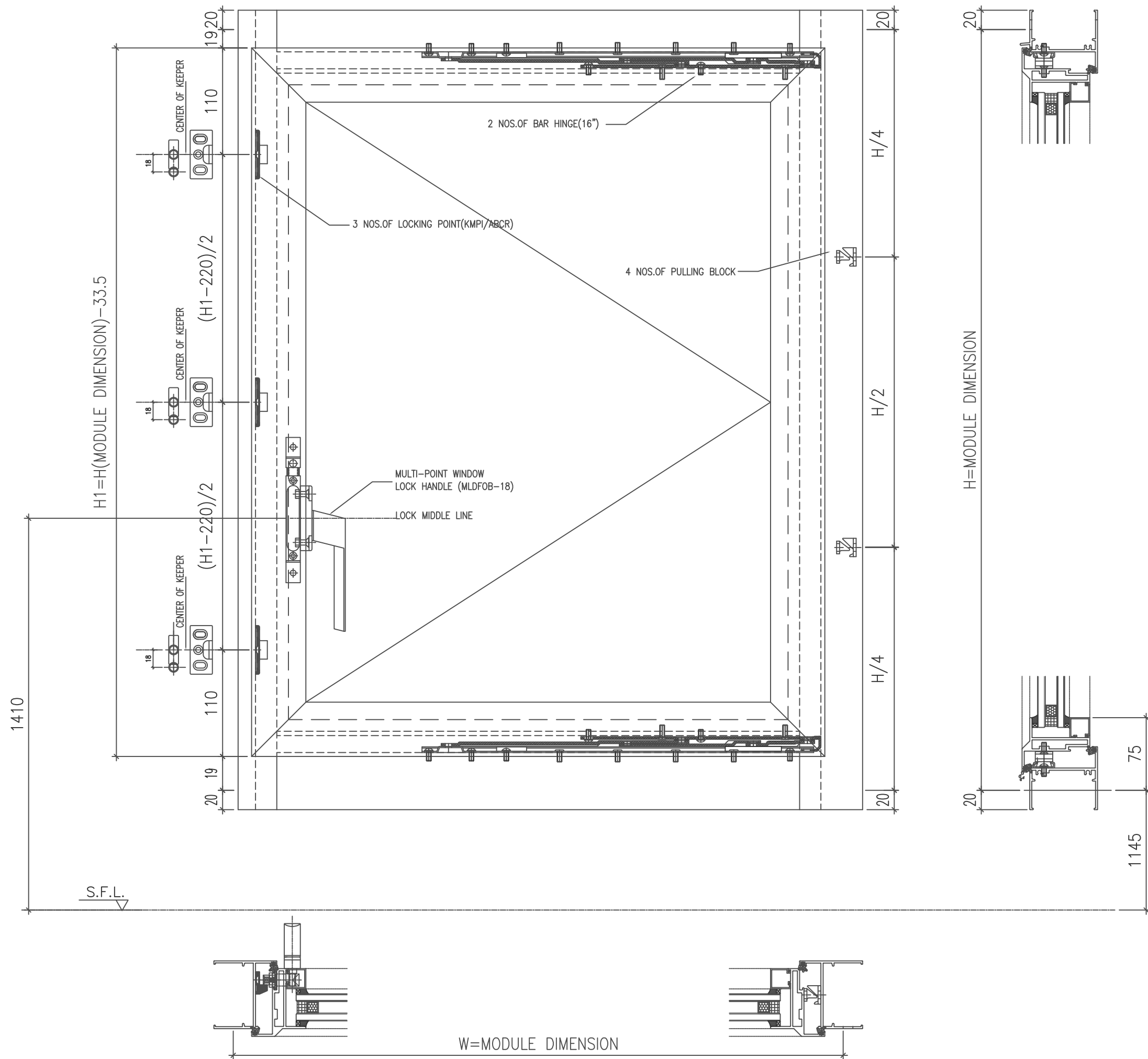
1. F.F.L. — FINISHED FLOOR LEVEL  
 2. S.F.L. — STRUCTURAL FLOOR LEVEL  
 3. (R) — REVERSED DETAIL  
 4. GLASS LEGEND  
 G1 — 8mmHS+12mm AIR GAP+10mmTP THK. I.G.U.  
 G2 — 8mmHS+12mm AIR GAP+8mmTP THK. I.G.U.  
 G8 — 6mm CRYSTAL GREY TP+1.52PVB+6mm CLEAR TP

NO.	DATE	REVISED	BY

JOB NO. : J-859  
 PROJECT : PROPOSED RESIDENTIAL / COMMERCIAL DEVELOPMENT AT NKIL NO.6551 KAI TAK AREA 4C, SITE 3 KAI TAK, KOWLOON  
 TITLE : G.M.S FIXING LUG TYPICAL DETAIL FOR ALUM. WINDOW

DATE : 10-Nov-21 SCALE : 1:2 (A3)  
 DRAWN BY : LHR CHECKED BY :  
 **美特鋁質有限公司**  
**MIDI ALUMINIUM FABRICATOR LTD.**  
 Units 6-8, Sunray Industrial Centre, 1/F  
 610 Cha Kwo Ling Road, Kowloon  
 Tel:23489211-4 Fax:(852)2727666

DWG NO. : J859-SD-PW-DT84 REV. : -



B.D. REF :  
 . . . . .

ARCHITECT :  
**WT** WONG TUNG & PARTNERS LIMITED  
 ARCHITECTS & PLANNERS

STRUCTURAL ENGINEER :  
**S** SUN HUNG KAI  
 ARCHITECTS AND ENGINEERS LTD.  
 SUN HUNG KAI CENTRE, WANCHAI, HONGKONG  
 TEL. 28278111 FAX. 28272884

FACADE CONSULTANT:  
**α** ALPHA CONSULTING LIMITED  
 Steel Structure & Facade Specialist

MAIN CONTRACTOR :  
 Sanfield Engineering  
 Construction Ltd.

CLIENT :  
**S** SUN HUNG KAI  
 REAL ESTATE AGENCY LTD.  
 42/F SUN HUNG KAI CENTRE, WANCHAI, HONGKONG

NOTE :  
 1. ALL DIMENSIONS ARE IN mm.  
 2. ALL ELEVATIONS ARE VIEWED FROM OUTSIDE.  
 3. ALL DIMENSIONS TO BE VERIFIED ON SITE BEFORE FABRICATION.

LEGEND :  
 (x1) — DETAIL MARK NO.  
 (x001) — REFER SHEET NO.  
 1. F.F.L. — FINISHED FLOOR LEVEL  
 2. S.F.L. — STRUCTURAL FLOOR LEVEL  
 3. (R) — REVERSED DETAIL  
 4. GLASS LEGEND  
 G1 — 8mmHS+12mm AIR GAP+10mmTP THK. I.G.U.  
 G2 — 8mmHS+12mm AIR GAP+8mmTP THK. I.G.U.  
 G8 — 6mm CRYSTAL GREY TP+1.52PVB+6mm CLEAR TP

NO.	DATE	REVISED	BY

JOB NO. : J-859  
 PROJECT : PROPOSED RESIDENTIAL / COMMERCIAL DEVELOPMENT AT NKIL NO.6551 KAI TAK AREA 4C, SITE 3 KAI TAK, KOWLOON

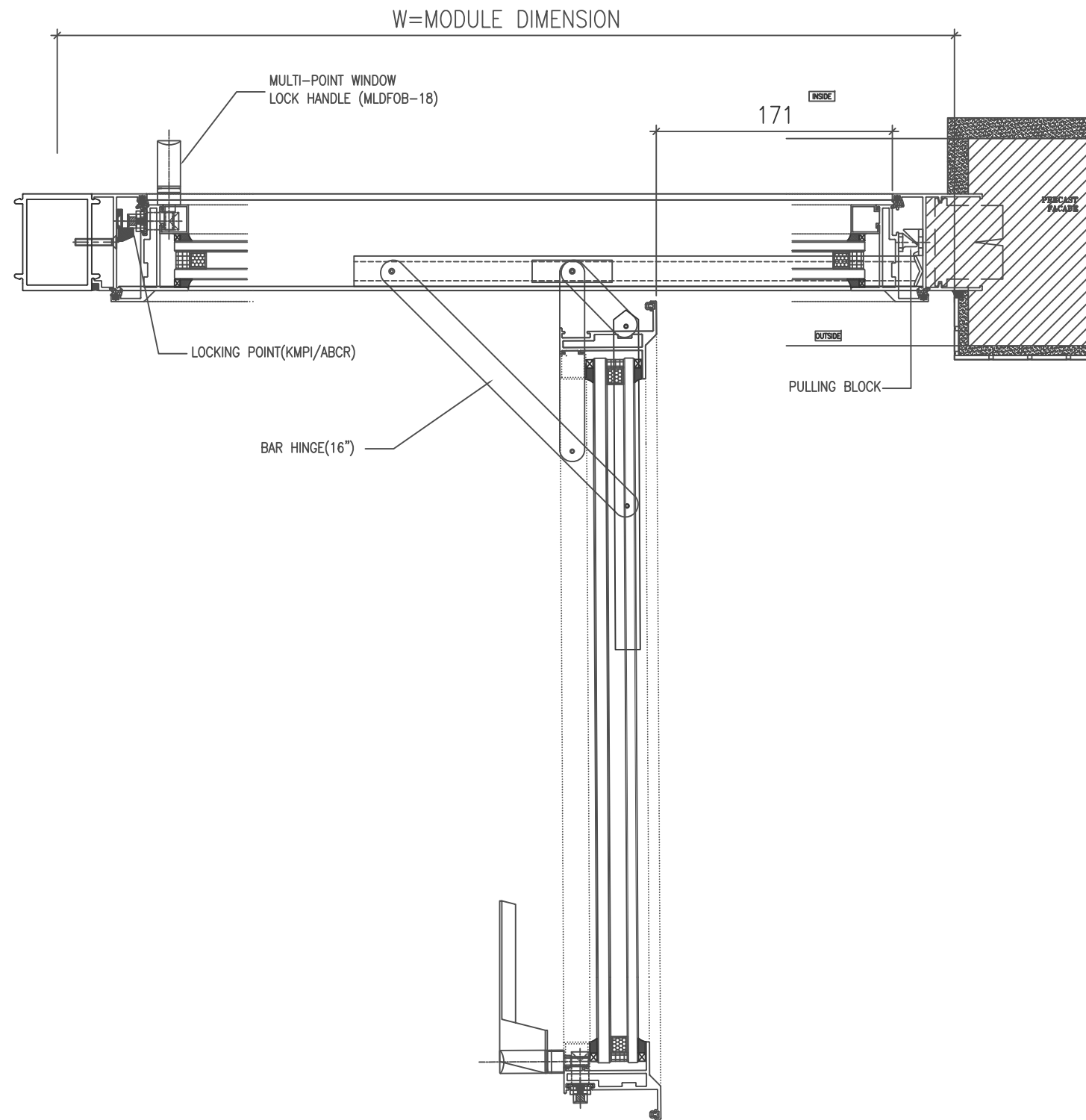
TITLE : TYPICAL EARTHING BONDING DETAILS OF PRECAST

DATE : 10-Nov-21 SCALE : 1:4 (A3)

DRAWN BY : LHR CHECKED BY :

**美特鋁質有限公司**  
**MIDI ALUMINIUM FABRICATOR LTD.**  
 Units 6-8, Sunray Industrial Centre, 1/F  
 610 Cha Kwo Ling Road, Kowloon  
 Tel:23489211-4 Fax:(852)2727666

DWG NO. : J859-SD-PW-DT85 REV. : -



B.D. REF :

ARCHITECT :  
**WT** WONG TUNG & PARTNERS LIMITED  
 ARCHITECTS & PLANNERS

STRUCTURAL ENGINEER :  
**SUN HUNG KAI**  
 ARCHITECTS AND ENGINEERS LTD.  
 SUN HUNG KAI CENTRE, WANCHAI, HONGKONG  
 TEL. 28278111 FAX. 28272884

FACADE CONSULTANT:  
**α** ALPHA CONSULTING LIMITED  
 Steel Structure & Facade Specialist

MAIN CONTRACTOR :  
 Sanfield Engineering  
 Construction Ltd.

CLIENT :  
**SUN HUNG KAI**  
 REAL ESTATE AGENCY LTD.  
 42/F SUN HUNG KAI CENTRE, WANCHAI, HONGKONG

NOTE :  
 1. ALL DIMENSIONS ARE IN mm.  
 2. ALL ELEVATIONS ARE VIEWED FROM OUTSIDE.  
 3. ALL DIMENSIONS TO BE VERIFIED ON SITE BEFORE FABRICATION.

LEGEND :  
 (x1) — DETAIL MARK NO.  
 (x001) — REFER SHEET NO.  
 1. F.F.L. -- FINISHED FLOOR LEVEL  
 2. S.F.L. -- STRUCTURAL FLOOR LEVEL  
 3. (R) -- REVERSED DETAIL  
 4. GLASS LEGEND  
 G1 -- 8mmHS+12mm AIR GAP+10mmTP THK. I.G.U.  
 G2 -- 8mmHS+12mm AIR GAP+8mmTP THK. I.G.U.  
 G8 -- 6mm CRYSTAL GREY TP+1.52PVB+6mm CLEAR TP

NO.	DATE	REVISED	BY
-----	------	---------	----

JOB NO. : J-859  
 PROJECT :  
 PROPOSED RESIDENTIAL / COMMERCIAL  
 DEVELOPMENT AT NKIL NO.6551 KAI  
 TAK AREA 4C, SITE 3  
 KAI TAK, KOWLOON

TITLE :  
 TYPICAL EARTHING  
 BONDING DETAILS OF PRECAST

DATE : 10-Nov-21 SCALE : 1:4 (A3)

DRAWN BY : LHR CHECKED BY :

**美特鋁質有限公司**  
**MIDI ALUMINIUM FABRICATOR LTD.**  
 Units 6-8, Sunray Industrial Centre, 1/F  
 610 Cha Kwo Ling Road, Kowloon  
 Tel:23489211-4 Fax:(852)2727666

DWG NO. : J859-SD-PW-DT86 REV. : -