

工程指示 / 要求簡箋(E.I.)

工程指示編號：EI / 9220 / 25 修改版次：B  
 工程編號：J - 858 工程名稱：將軍澳日出康城 11  
 工程項目：佛沙/後裝窗 T1 T3 窗框連玉 7 隻 地盆用  
 收件人：生統 發件人：Jason 日期：09/12/2025

B 版次: 取消 T1 62/FAA 廚房窗 T1A-A/K-1 1 幅,  
改為  
T1 62/F BB 廚房窗 1 隻 (編號 T1B-B/K-1) 圖號 A-AW-SU05

A 版次: 增加 T1 62/FAA 廚房窗 T1A-A/K-1 1 幅 (\*\*取消\*\*)

按信和通知，T3 6 隻窗框連玉受到破壞。  
請生產窗框連玉連玻璃線及扇撐鎖芯手柄等配件，送地盆補回安裝。  
原 EI4395J / EI4666G。

T3 BD 廚房窗 1 隻 (編號 T3B-D/K-1)  
T3 AF 廁所窗 2 隻 (編號 T3A-F/B-1)  
T3 BC 廁所窗 3 隻 (編號 T3B-C/B-1)

華哥：請提供最低訂量鋁料及配件

謝謝

請在 2026.01.20 前完成上列要求。

附： 頁

分發東莞各部門：

( )生產技術總監 連附件 ( )技術部 連附件 ( )生產部 連附件 ( )機械設計部 連附件  
 ( )採購部 連附件 (✓)生產統籌部 連附件 (✓)小羅&清 連附件  
 ( )質檢部 連附件 ( )會計部 連附件 ( )報關組 連附件 ( )其他 \_\_\_\_\_ 連附件

分發香港各部門：


( )行政部 連附件 ( )會計部 連附件 ( )統籌部 連附件 ( )地盤科文 連附件  
 ( )採購部 連附件 ( )QS 部 連附件 ( )維修部 連附件 ( )其他 \_\_\_\_\_ 連附件

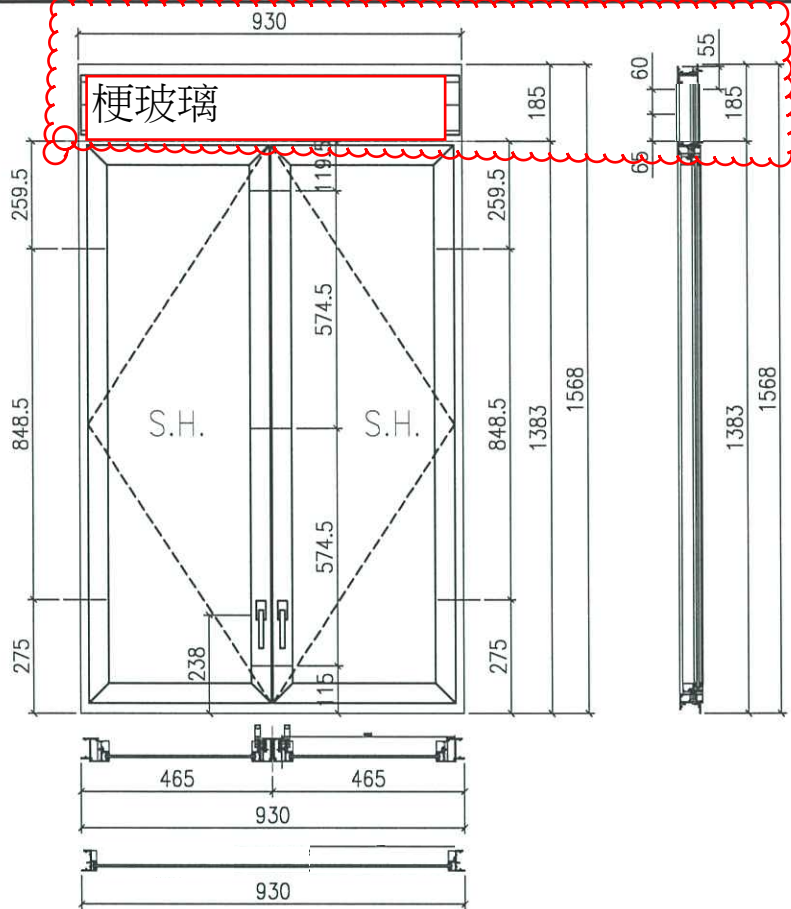
傳遞編號：

發件人簽署：

HK 0962 / 25

項目經理簽署：  


 <b>美特鋁質</b> 有限公司 MIDI Aluminium Fabricator Ltd.	工程號	J858	拆圖	I.H.	2023.11.02
	地盤	康城1期	復核		
名稱	50地盤安裝窗	顏色	批准		



A-AW-05SU

- 注:
- 1) 生窗底料需開15mm去水缺口2處;
  - 2) 窗玉搭位6mm;
  - 3) 滴水線比窗玉每頭長1mm;
  - 4) SH窗需裝4組TC903扣碼;
  - 5) 用東城產2021-A12"扇撐;
  - 6) 安裝201-10多點鎖夾巴6個;
  - 7) 框橫料兩端需切1x2mm切口打膠;
  - 8) 出貨摩爾18個;
  - 9) 底料安裝50-LC-04A窗拈2只;

序号	料号	名称	出荷	长度(mm)	支/幅	加工说明
1a	X86251	边企料		1568	1	X86251-59
1b	X86251	边企料		1568	1	X86251-60
1c	X86163	中企料		1342.5	1	X86163-54
2	X86252	生顶横	避位	892	1	X86252-53
3	X86253	生底横	避位	884	1	X86253-53
4	X86164	梗窗玻璃线企		143	2	X86164-52E
5	X86250	生中横	避位	892	1	X86250-52
6	X86164	梗窗玻璃线横		846	2	X86164-52F
7		舌叶巴		143	1	J858-LM58L
8		舌叶巴		143	1	J858-LM58R

大图版次	宽度	本图版	A	
		日期	10/25	
窗号	宽度(W)	高度(H)	幅数	楼层数
T1B-B/K-1	930	1568	1	

窗款	宽度	高度	支/幅	撑长
SRH	380	1203	2	12"

窗玉用料

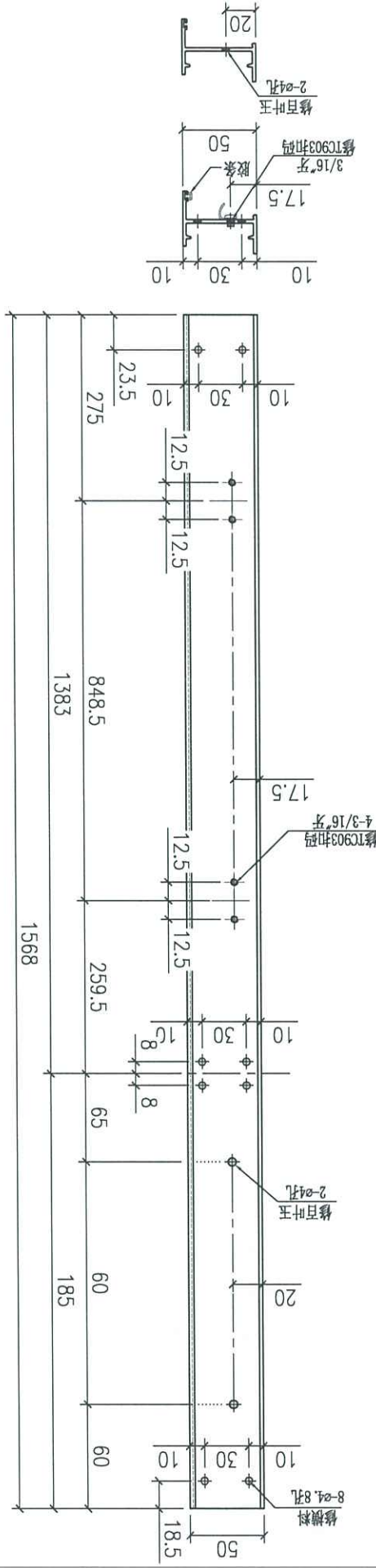
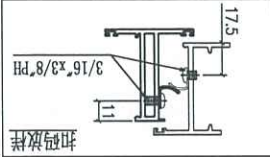
序号	料号	名称	出荷	长度(mm)	支/幅	加工说明
9	X86163	窗玉企	45°斜口	1348.5	2	X86163-52A
10	X86163	窗玉企	45°斜口	1348.5	1	X86163-53A
11	X86163	窗玉企	45°斜口	1348.5	1	X86163-55A
12	X86163	窗玉横	45°斜口	443	2	X86163-51LC
13	X86163	窗玉横	45°斜口	443	2	X86163-51RC
14	X86164	窗玉玻璃线企	直口	1284.5	1	X86164-52B
15	X86164	窗玉玻璃线企	直口	1284.5	1	X86164-51A
16	X86164	窗玉玻璃线顶横	直口	347	2	X86164-52C
17	X86153	撞角码	直口	45	2	J858-LM51L
18	X86153	撞角码	直口	45	2	J858-LM51R
19	X86153	撞角码	直口	45	4	J858-LM51
20	L065	15x15x3铝角	直口	140	20	J858-LM54A
21	X86154	拉巴用压板1	直口	80	6	J858-LM52

窗玉用料

序号	料号	名称	出荷	长度(mm)	支/幅	加工说明
22	X86155	拉巴用压板2	直口	15	12	J858-LM53
23	X86237	14x3拉巴	直口	123	2	X86237-51A
24	X86237	14x3拉巴	直口	1012.5	2	X86237-51E
25	不锈钢加力巴	15x5mm不锈钢		181.5	2	J858-SS51A
26	连接角钢	50x50x5mm铁角		45	2	J858-ST51
27	中企加力巴	43x4mm铁板		1256	1	J858-ST52
28	封口铝板	44x1mm铝板		70	1	J858-DA51
29	X86164	窗玉玻璃线底横	直口	347	2	X86164-54B



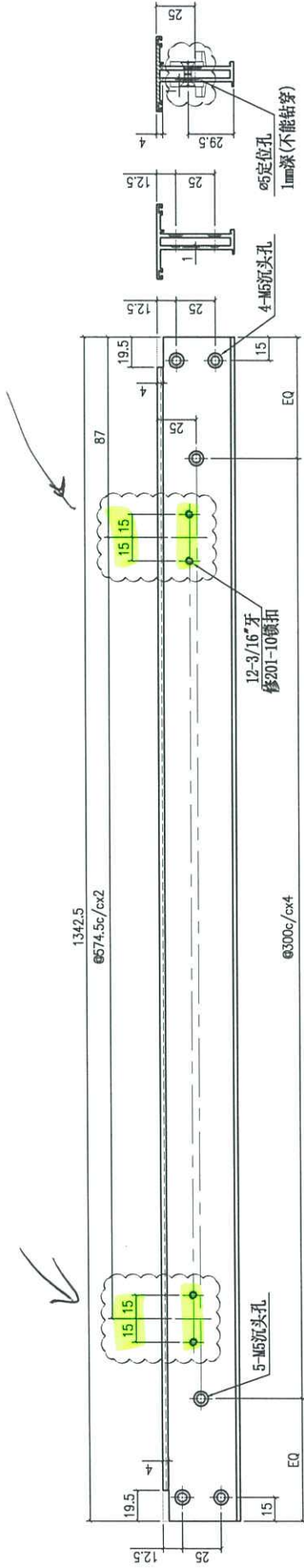
FABRICATION DRAWING



Remarks:		Checked: J.L.		Description: 生边企		Delivery to Rev.:		Date:		Amendments:	
Project Name: 康城11期		Date: 02-11-2023		Material: 6061-T5		Factory		Tolerance: ±0.5			
Shop Drawing No. PRE-CAST ALUM. WINDOW & LOUVRE		Drawn: I.H.		Finish: PVF2		Site		Projection:		Assembly No. X86251-60	
Rev.:		Date: 02-11-2023				Site		Rev.		Rev.	

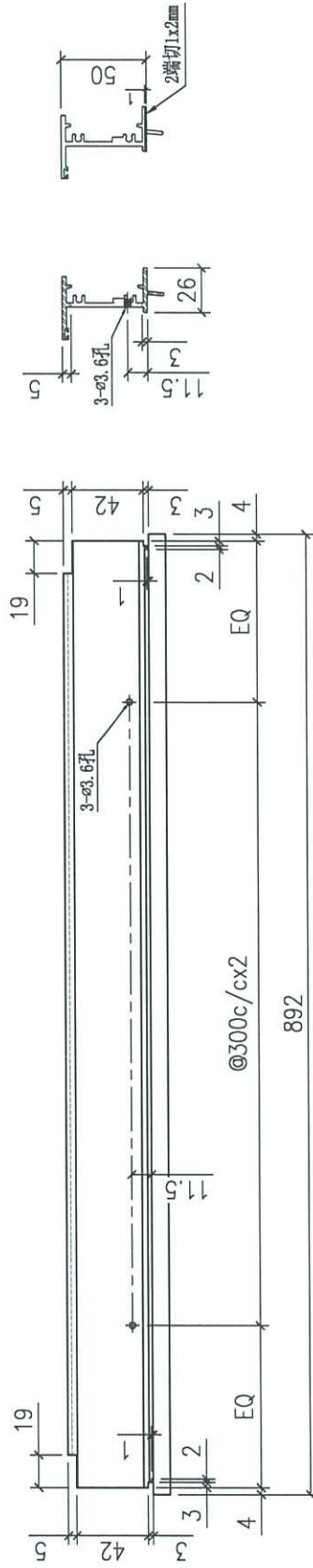
FABRICATION DRAWING

加工



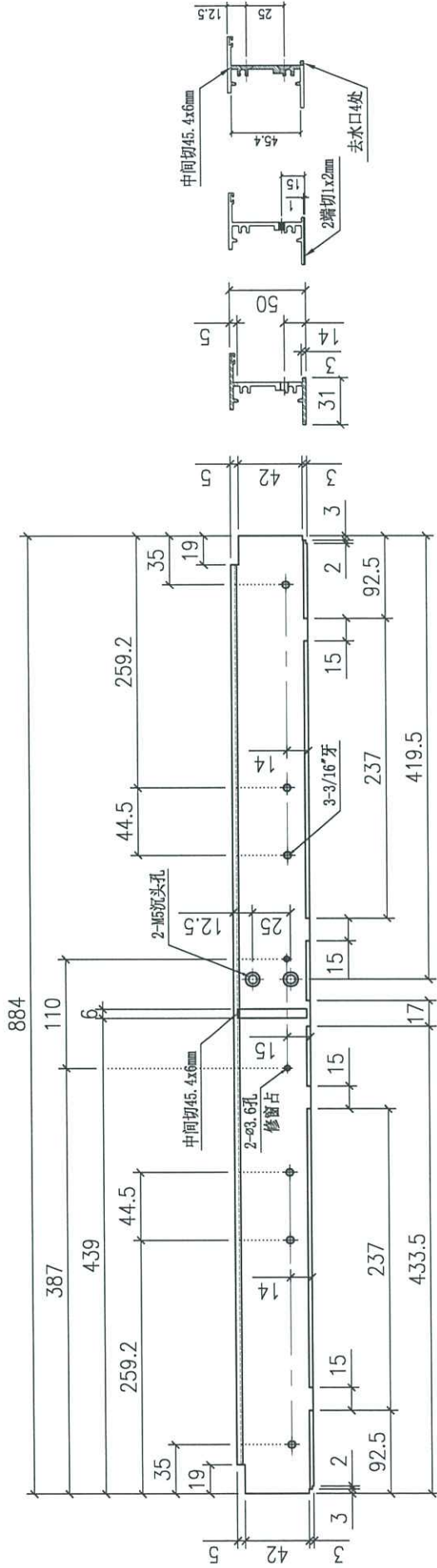
Remarks:		Checked: J.L.		Description: 窗玉料		QTY: 3		Delivery to Rev. Date		Amendments	
Project Name: 康城11期		Date: 02-11-2023		Material: 6061-T5		Tolerance: ±0.5		Factory			
Shop Drawing No. PRE-CAST ALUM. WINDOW & LOUVRE		Drawn: I.H.		Finish: PVF2		Projection:		Site		Assembly No. X86163-54	
Rev. -		Date: 02-11-2023								Rev. A	

FABRICATION DRAWING



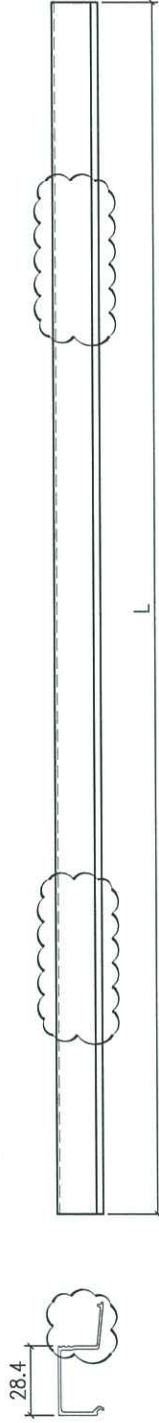
Remarks:		Checked: J.L.		Description: 生顶横		QTY: 1		Delivery to Rev.		Date		Amendments	
Project Name: 康城11期		Date: 02-11-2023		Material: 6061-T5		Tolerance: ±0.5		Factory					
Shop Drawing No. PRE-CAST ALUM. WINDOW & LOUVRE		Drawn: I.H.		Finish: PVF2		Projection:		Site		Assembly No.		Rev.	
		Date: 02-11-2023						X86252-53					
MIDI Aluminium Fabricator Ltd.													

FABRICATION DRAWING



Remarks:		Checked: J.L.		Description: 上底横		QTY: 1		Delivery to Rev. Date		Amendments	
Project Name: 康城11期		Date: 02-11-2023		Material: 6061-T5		Tolerance: ±0.5		Factory			
Shop Drawing No. PRE-CAST ALUM. WINDOW & LOUVRE		Drawn: J.H.		Finish: PVF2		Projection:		Site		Assembly No. X86253-53	
Rev. -		Date: 02-11-2023						Rev. -		MIDI Aluminium Fabricator Ltd.	

FABRICATION DRAWING

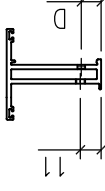
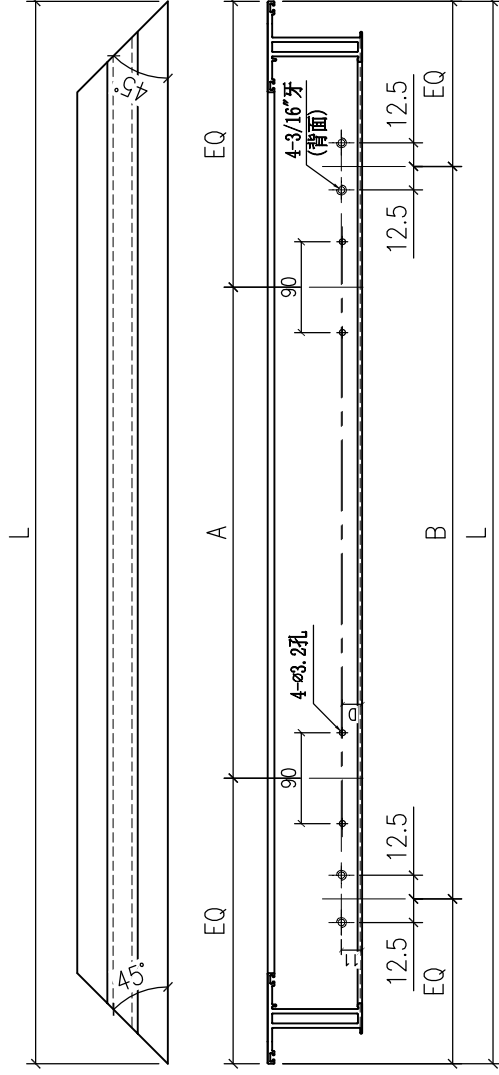


6	X86164-52F	846	-	2
5	X86164-52E	143	-	2
4	X86164-52D	304.5	-	4
3	X86164-52C	347	-	2
2	X86164-52B	1284.5	-	T3
1	X86164-52A	584	-	10
序号	部件编号	L	B	数量

Remarks:		Checked: J.L.	Description: 6mm玻璃线	QTY: -	Delivery to Rev.	Date	Amendments
Project Name: 康城11期	Project No. J858	Date: 02-11-2023	Material: 6061-T5	Tolerance: ±0.5	Factory		
Shop Drawing No. PRE-CAST ALUM. WINDOW & LOUVRE	Rev. -	Drawn: J.H.	Finish: PVF2	Projection:	Site	Assembly No. X86164-52	Rev. A
		Date: 02-11-2023					



FABRICATION DRAWING



Remarks:

Project Name:

康城11期

Project No.

J858

Shop Drawing No.

PRE-CAST ALUM. WINDOW & LOUVRE

Checked:

J.L.

Description:

窗玉料

Date:

02-11-2023

Material:

6061-T5

Drawn:

I.H.

Finish:

02-11-2023

PVF2

QTY:

-

Tolerance:

±0.5

Projection:



Delivery to Rev.

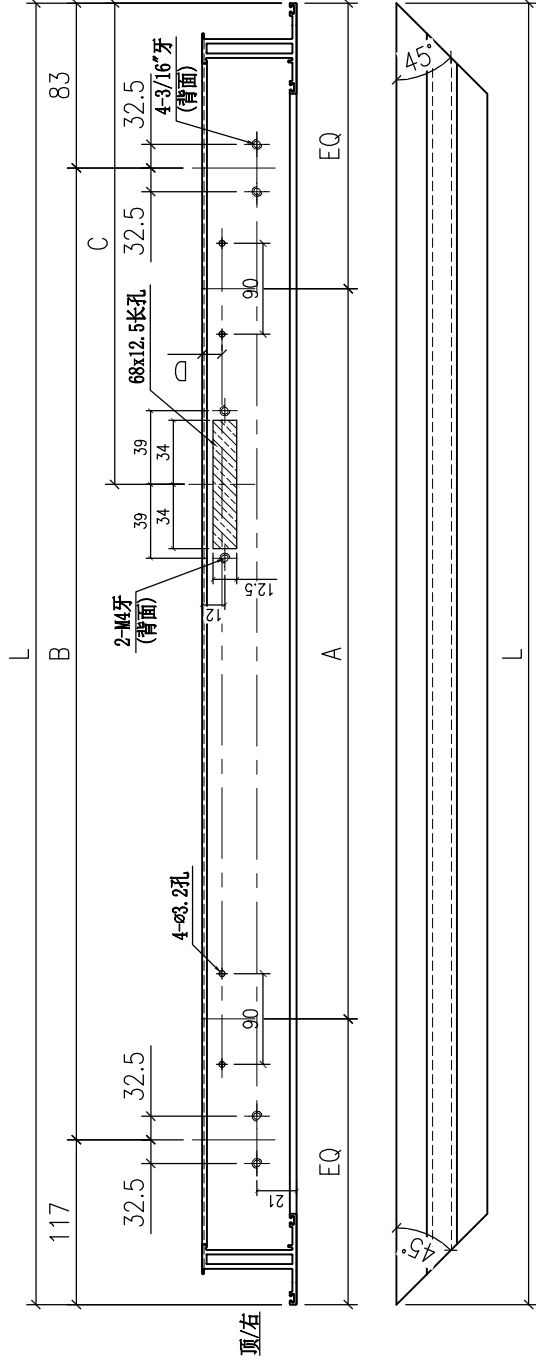
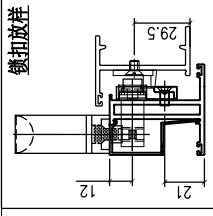
Date

Factory

Amendments

2	X86163-52B	1323	2x325c/c	823	8.5	1
1	X86163-52A	1348.5	2x335c/c	848.5	17	16
序号	部件编号	L	A	B	D	数量

FABRICATION DRAWING

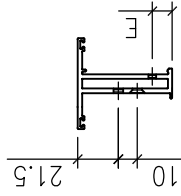
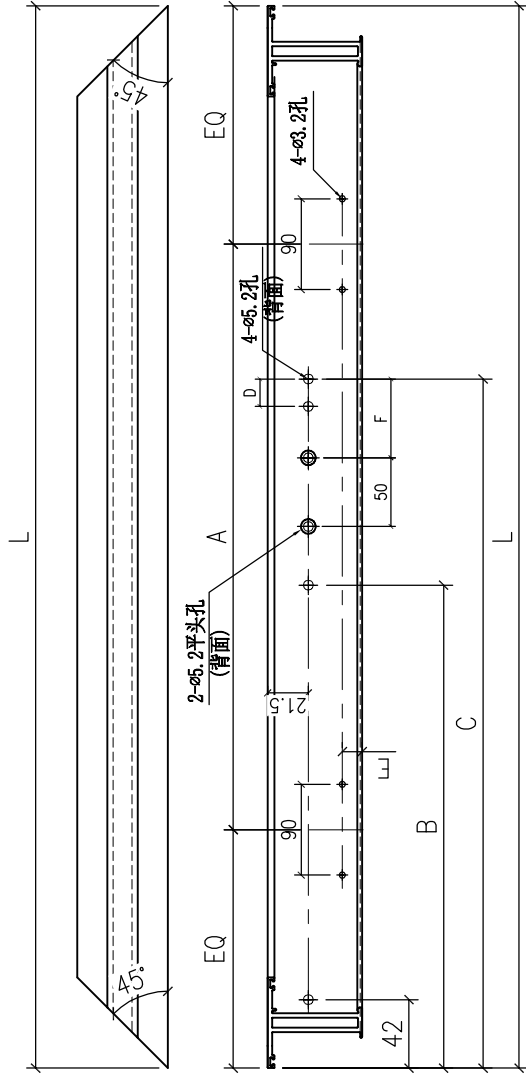


2	X86163-53B	1323	2x325/c	@561.5c/cx2	213	8.5	1
1	X86163-53A	1348.5	2x335/c	@574.25c/cx2	213	17	8
序号	部件编号	L	A	B	C	D	数量

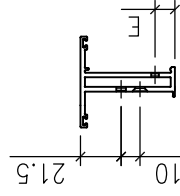
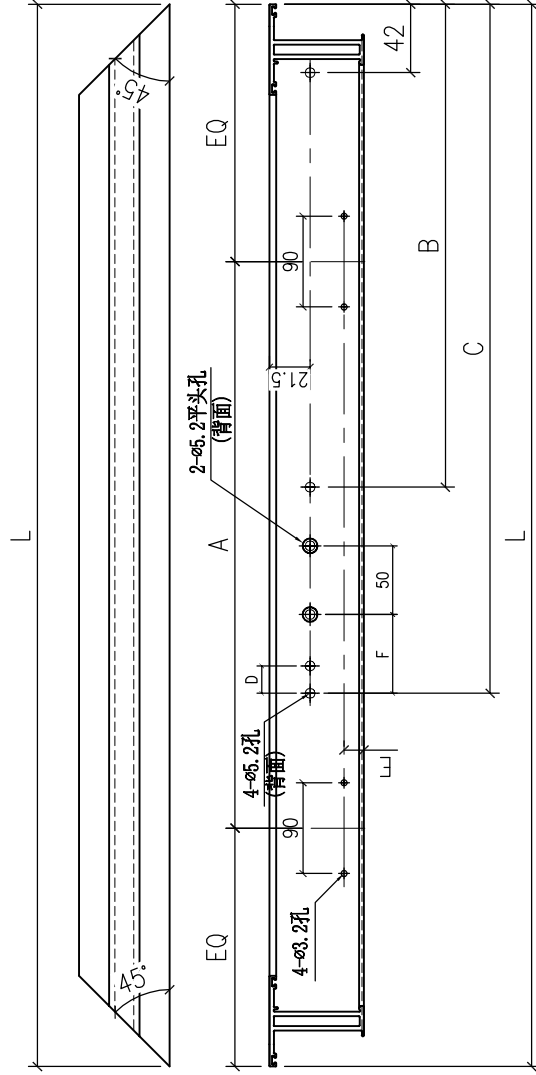
Remarks:		Checked: J.L.		Description: 窗玉料		QTY: -	
Project Name: 康城11期		Date: 02-11-2023		Material: 6061-T5		Tolerance: ±0.5	
Shop Drawing No. PRE-CAST ALUM. WINDOW & LOUVRE		Drawn: I.H.		Finish: PVF2		Factory	
Rev. -		Date: 02-11-2023		Site		Assembly No. X86163-53	
				Rev.		Rev. B	



FABRICATION DRAWING



序号	部件编号	L	A	B	C	D	E	F	扇撑	数量
4	X86163-51LD	400.5	220	92	203.5	13.5	17	48.5	12"	4
3	X86163-51LC	443	240	92	203.5	13.5	17	48.5	12"	2
2	X86163-51LB	480	240	92	203.5	13.5	8.5	48.5	12"	1
1	X86163-051LA	680	360	112	248.5	13.5	17	55	16"	10

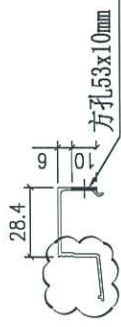
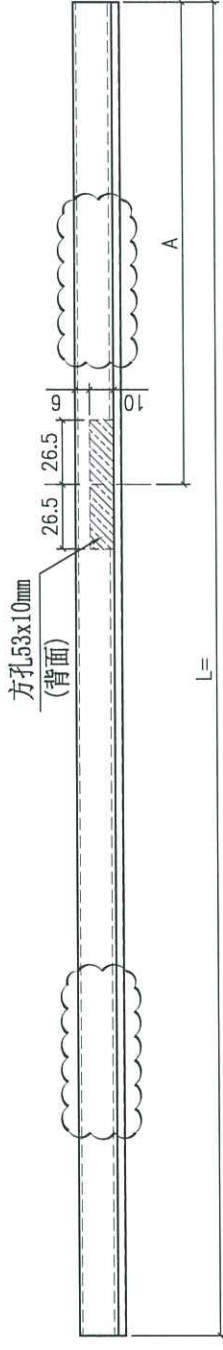
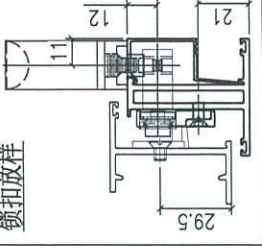


序号	部件编号	L	A	B	C	D	E	F	扇撑	数量
4	X86163-51RD	400.5	220	92	203.5	13.5	17	48.5	12"	4
3	X86163-51RC	443	240	92	203.5	13.5	17	48.5	12"	2
2	X86163-51RB	480	240	92	203.5	13.5	8.5	48.5	12"	1
1	X86163-51RA	680	360	112	248.5	13.5	17	55	16"	10

Remarks:	Checked:	J.L.	Description:	窗玉料	
	Date:	02-11-2023	Material:	6061-T5	
	Project No.	J858	Finish:	PVF2	
	Rev.	-			
Shop Drawing No.	PRE-CAST ALUM. WINDOW & LOUVRE		Quantity:	-	
			Tolerance:	±0.5	
			Projection:		
			Site:	X86163-51	
			Assembly No.	-	
			Rev.	B	
			Delivery to Rev.	Date	
			Factory	Amendments	

FABRICATION DRAWING

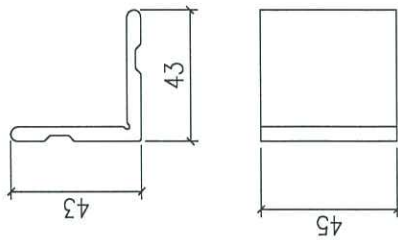
锁扣放样



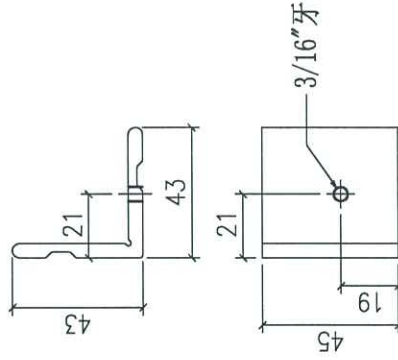
1	X86164-51A	1284.5	181	8
序号	部件编号	L	A	数量

Remarks:		QTY: -	Delivery to Rev.	Date	Amendments	
Project Name: 康城11期		Tolerance: ±0.5	Factory			
Shop Drawing No. PRE-CAST ALUM. WINDOW & LOUVRE		Material: 6061-T5				
Rev. -		Finish: PVF2	Site	Assembly No. X86164-51	Rev.	A
Checked: J.L.		Projection:				
Date: 02-11-2023						
Drawn: L.H.						
Date: 02-11-2023						

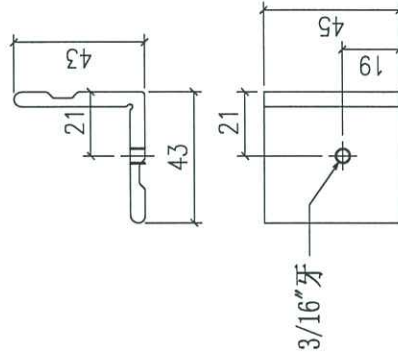
FABRICATION DRAWING



图号: J858-LM51  
数量: 34只

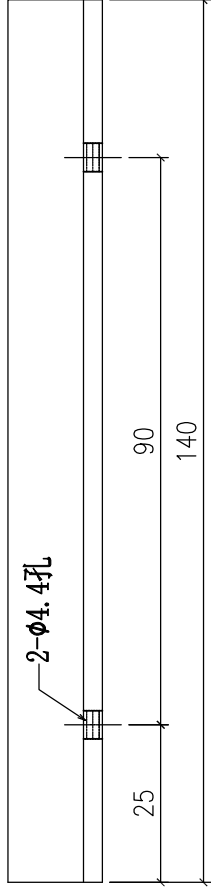
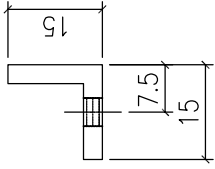
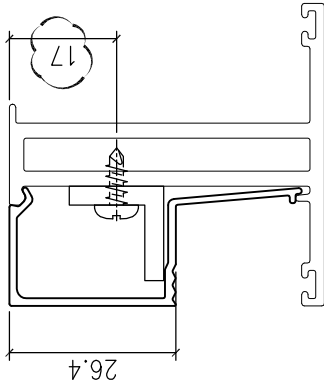


图号: J858-LM51L  
数量: 17只

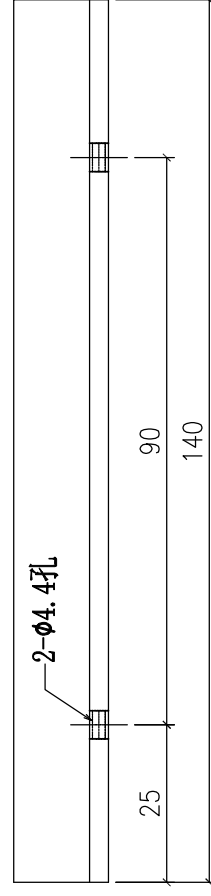
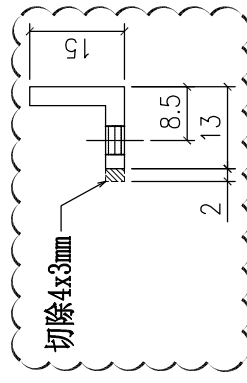
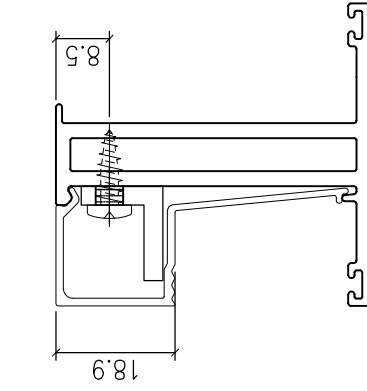


图号: J858-LM51R  
数量: 17只

Remarks:	Checked:	J.L.	Description:	窗玉组角码			QTY:	-	Delivery to	Rev.	Date	Amendments
	Date:	02-11-2023	Material:	X86153	Tolerance:	±0.5	Factory					
Project Name:	Project No.	J858	Material:	X86153	Tolerance:	±0.5	Site		Assembly No.	J858-LM51	Rev.	-
Shop Drawing No.	Rev.	-	Finish:	MILL	Projection:							



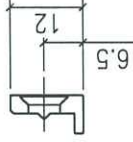
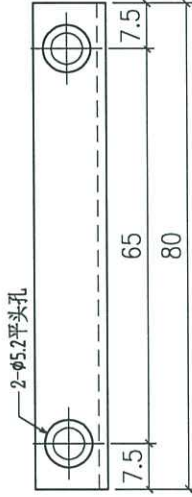
图号: J858-LM54A  
数量: 160只



图号: J858-LM54B  
数量: 10只

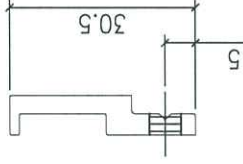
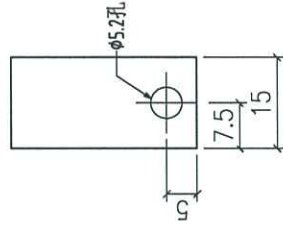
Remarks:		Checked: J.L.		Description: 玻璃线加力铝角		QTY: -		Delivery to Rev.		Date		Amendments	
Project Name: 康城11期		Date: 02-11-2023		Material: 15x15x3铝角		Tolerance: ±0.5		Factory					
Shop Drawing No. PRE-CAST ALUM. WINDOW & LOUVRE		Drawn: I.H.		Finish: MILL		Projection:		Site		Assembly No.		Rev.	
		Date: 02-11-2023						J858-LM54				B	

FABRICATION DRAWING



Remarks:		Checked: J.L.	Description: 拉巴用压板1	QTY: 51	Delivery to Rev.	Date	Amendments
Project No. J858	Date: 02-11-2023	Material: X86154	Tolerance: ±0.5	Factory			
Shop Drawing No. PRE-CAST ALUM. WINDOW & LOUVRE	Drawn: I.H.	Finish: PWF2	Projection:	Site	Assembly No.	J858-LM52	Rev.
	Date: 02-11-2023						

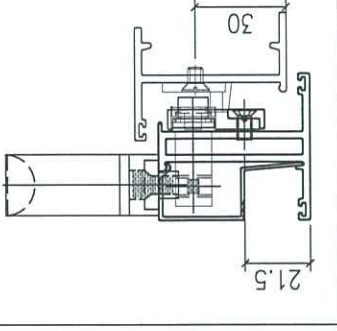
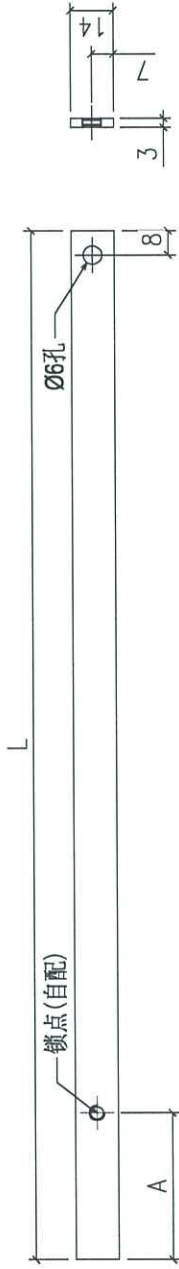
FABRICATION DRAWING



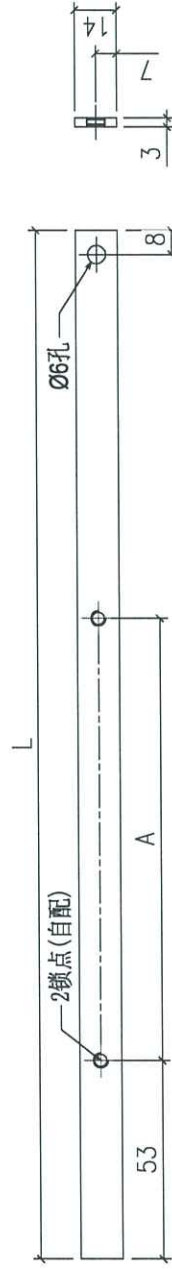
Remarks:		Checked: J.L.		Description: 拉巴用压板2		QTY: 102		Delivery to Rev.		Date		Amendments	
Project No. J858		Date: 02-11-2023		Material: X86155		Tolerance: $\pm 0.5$		Factory					
Shop Drawing No. PRE-CAST ALUM. WINDOW & LOUVRE		Drawn: I.H.		Finish: PWF2		Projection:		Site		Assembly No. J858-LM53		Rev. -	
		Date: 02-11-2023											

FABRICATION DRAWING

序号	部件编号	L	A	数量
1	X86237-51A	123	47	17



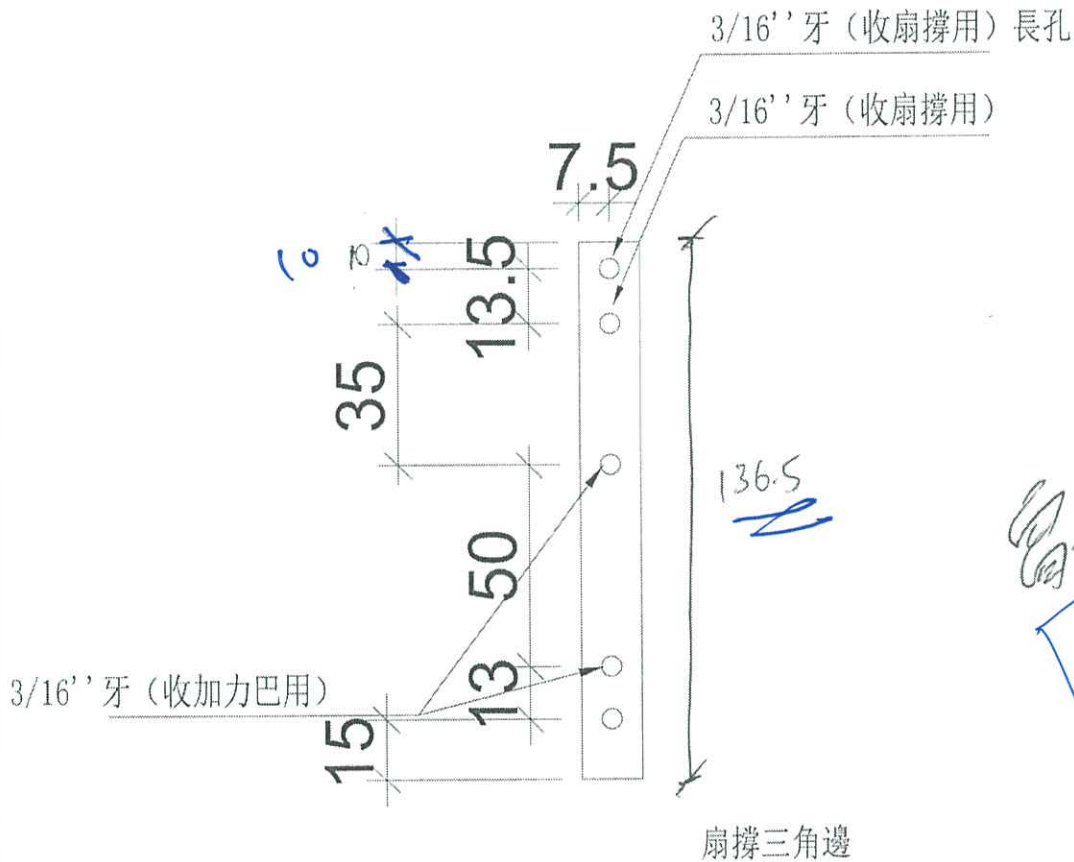
序号	部件编号	L	A	数量
1	X86237-51E	1012.5	574.25	16
2	X86237-51F	987	561.5	1



Remarks:		Checked: J.L.		Description: 拉巴加工图		QTY: -		Delivery to Rev.		Date		Amendments	
Project No. J858		Date: 02-11-2023		Material: 14x3mm铝扁巴		Tolerance: ±0.5		Factory					
Shop Drawing No. PRE-CAST ALUM. WINDOW & LOUVRE		Drawn: I.H.		Finish: PVF2		Projection:		Site		Assembly No. X86237-51		Rev. -	
		Date: 02-11-2023										MIDI Aluminium Fabricator Ltd.	

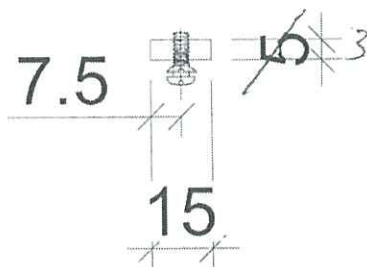


厚 瓦 4599



+4  
12/14

共 16 件

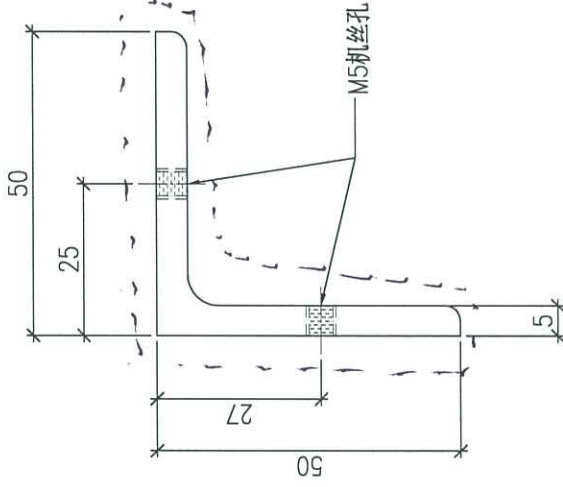
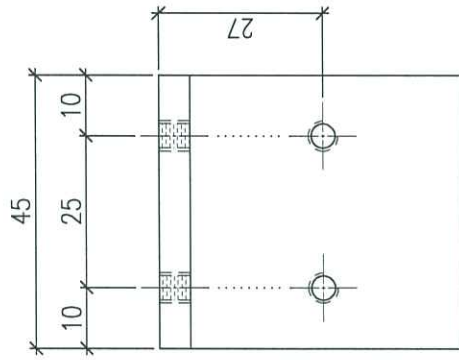


12寸 撐用

SS51A

摩 杰	樓 薯 匙 樓 馱 ?	梁 ?	? 織 效	2018.09.11	党 喇		
第 跣	15x13mm 祥 益 ? 匙	? 瞄	環 缺 輿	2018.09.12	??		
? 伎	#304	蠶 狗			??	SC-GR12	

FABRICATION DRAWING

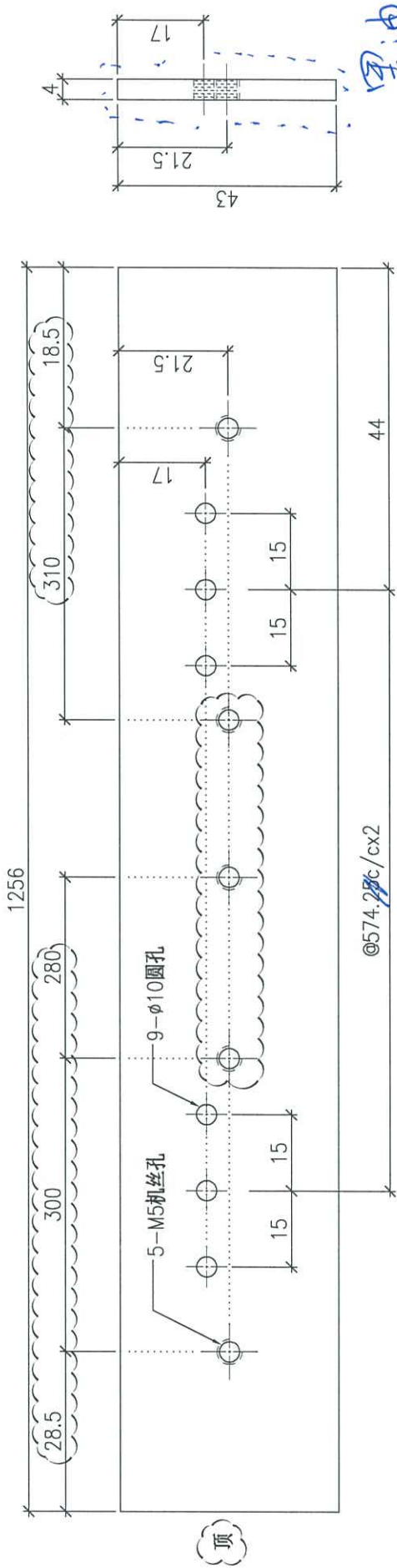


油

614

Remarks:		Checked: J.L.	Description: 50x50x5mm铁角	QTY: 6	Delivery to Rev. Factory	Date	Amendments
Project Name: 康城11期	Project No. J858	Date: 02-11-2023	Material: S275	Tolerance: ±0.5			
Shop Drawing No. PRE-CAST ALUM. WINDOW & LOUVRE	Rev. -	Drawn: I.H.	Finish: 热镀锌	Projection:	Site	Assembly No. J858-ST51	Rev. -
MIDI Aluminium Fabricator Ltd.							

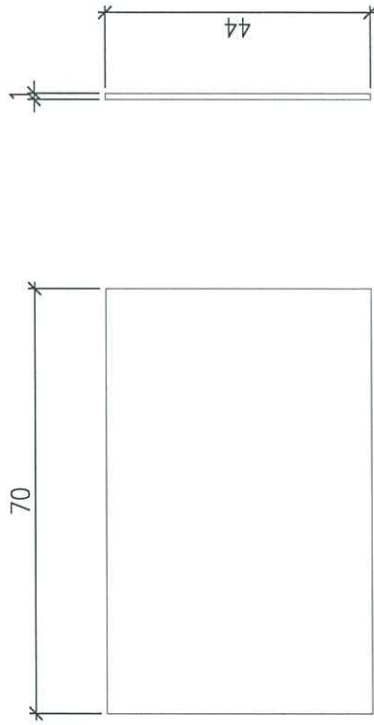
FABRICATION DRAWING



314

Remarks:		Checked: J.L.		Description: 43x4mm铁板		QTY: 3		Delivery to Rev. Factory		Date		Amendments	
Project Name: 康城11期		Date: 02-11-2023		Material: S275		Tolerance: ±0.5		Site		Assembly No. J858-ST52		Rev. B	
Shop Drawing No. PRE-CAST ALUM. WINDOW & LOUVRE		Drawn: I.H.		Finish: 热浸锌		Projection:		Site		Assembly No. J858-ST52		Rev. B	
		Date: 02-11-2023										MIDI Aluminium Fabricator Ltd.	

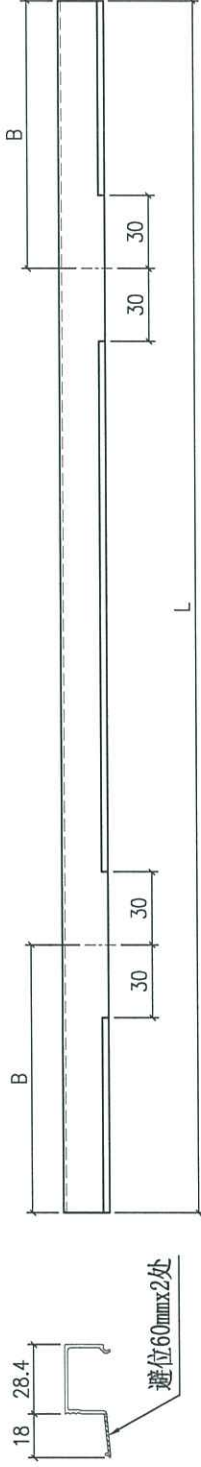
FABRICATION DRAWING



Remarks:		Checked: J.L.		Description: 44X1mm铝板		QTY: 3		Delivery to Rev.		Date		Amendments	
Project Name: 康城11期		Date: 02-11-2023		Material: 铝板		Tolerance: ±0.5		Factory					
Shop Drawing No. PRE-CAST ALUM. WINDOW & LOGGARE		Drawn: I.H.		Finish: 拉丝		Projection:		Site		Assembly No.		Rev.	
Project No. J858		Date: 02-11-2023						Site		J858-DA51			

5th Floor Window

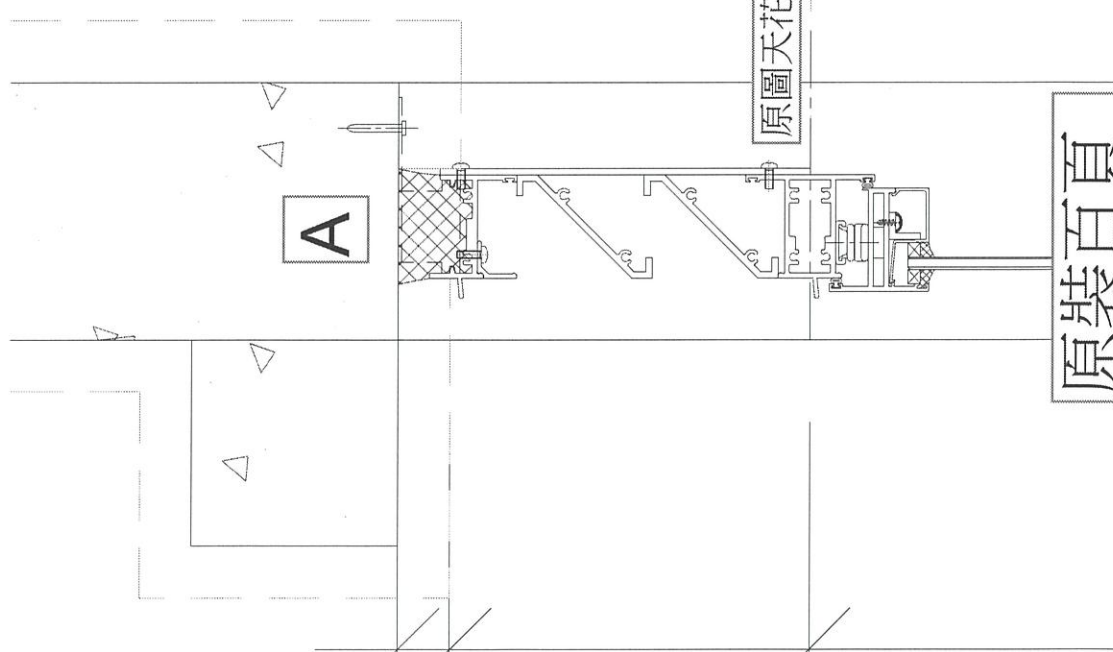
FABRICATION DRAWING



3	X86164-54C	304.5	75	4
2	X86164-54B	347	85	2
1	X86164-54A	584	145	10
序号	部件编号	L	B	数量

Remarks:		Checked: J.L.	Description: 6mm玻璃线		QTY: -	Delivery to Rev.:	Date:	Amendments	
Project No. J858	Date: 02-11-2023	Material: 6061-T5	Tolerance: ±0.5		Factory	Site		Assembly No. X86164-54	
Shop Drawing No. PRE-CAST ALUM. WINDOW & LOUVRE	Drawn: I.H.	Finish: PVF2	Projection:		Rev.		Rev.		-

17525



原裝百頁

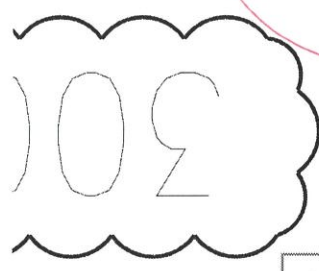
原圖天花

A

B

C

D



117

117

59

現有模無  
滴水線

玻璃線向  
外

裝反拍線



Sino Kenny 2



元利 J ' XJ 14:22 ✓✓

Please update grass order 17:59

今日

T1 62BB draft.pdf

1頁 • 95 kB • PDF



14:31 ✓✓

你

T1 62BB draft.pdf (1頁)

BCD用邊款? 14:31 ✓✓

唔明 14:34



語音通話

2分鐘 14:34

你

T1 62BB draft.pdf (1頁)

收到，確認是C款，玻璃線向外，因不拆天花

14:38 ✓✓

係 15:04



0:10

15:04





高精度

工业级

加厚30%

5m

10

11

12

13

14

15

16

17

18

19

20

21

22

23

24

25

26

27

28

29

30

31

32

33

34

35

36

37

38

39

40

41

42

43

44

45

46

47

48

49

50



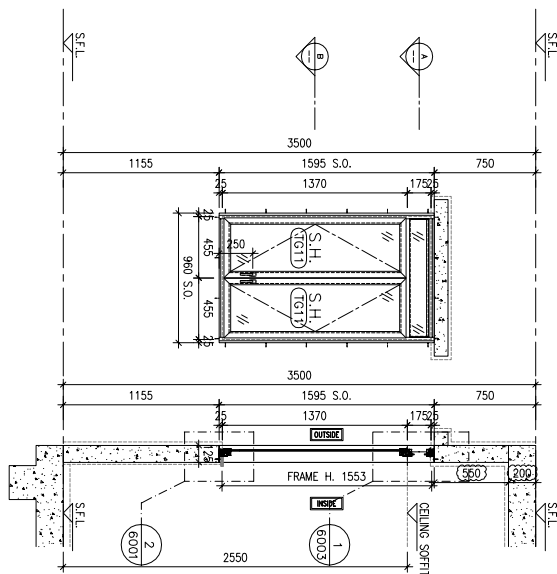




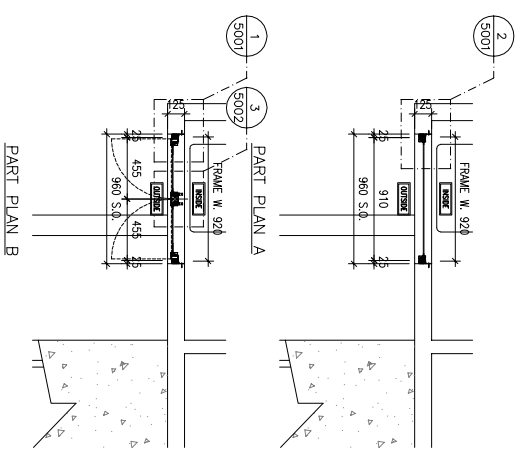








ELEVATION/  
PART PLAN/  
SECTION



GLAZING AREA: Required = 0.9338 Provided = 0.8692  
 OPENABLE AREA: Required = 0.586 Provided = 1.1036

WINDOW MARK	(1/B-B) (K-1)
LOCATION	TOWER 1(1/B) FLAT B KITCHEN(62/F)
SECTION	50mm ALUM. SECTION WITH PVF2 COATING(SLIVER CHAMPAGNE COLOUR)
GLAZING QUANTITY	6mm THK TEMPERED GLASS
REMARKS	1 NO.
	FREE AREA (%) : 20.84/38.75 = 0.5378 = 53.78%

B.O. REF :

CLIENT :  
 信和置業有限公司  
 Sino Land Company Limited

ARCHITECT :  
 Ronald Lu & Partners  
 Ronald Lu & Partners (HK) Ltd.  
 呂元輝建築師事務所 (香港) 有限公司  
 MAIN CONTRACTOR :

STRUCTURAL ENGINEER :  
 Gammon  
 AECOM  
 FACADE CONSULTANT:  
 AECOM

NOTE:  
 1. ALL DIMENSIONS ARE IN mm.  
 2. ALL ELEVATIONS ARE VIEWED FROM OUTSIDE.  
 3. ALL DIMENSIONS TO BE VERIFIED ON SITE BEFORE FABRICATION.

LEGEND:  
 21 --- DETAIL MARK NO.  
 3001 --- REFER SHEET NO.

1. F.F.L. --- FINISHED FLOOR LEVEL  
 2. S.F.L. --- STRUCTURAL FLOOR LEVEL  
 3. (2) --- REVERSED DETAIL

NO.	DATE	REVISION	BY
C	25-10-2023	ISSUED AS PER AGREED COMMENTS	MAN
B	28-09-2023	REVISION AS PER AGREED COMMENTS	MAN
A	11-08-2023	REVISION AS PER AGREED COMMENTS	MAN

JOB NO. : J-858

PROJECT :  
 PROPOSED RESIDENTIAL DEVELOPMENT  
 AT TKOIL ZONE, PHASE 11, LOHAS PARK  
 TSEUNG KWAN O, N.T.

TITLE :  
 IN-SITU ALUM. WINDOW  
 ALUM. WINDOW SCHEDULE  
 AT SPECIAL UNITS FLOOR

DATE : 04-OCT-21 SCALE : 1:40  
 DRAWN BY :  
 CHECKED BY :  
 美特鋁質有限公司  
 MIDI Aluminium Fabrication Ltd.  
 Units 6-8, 8-9, Sunny Industrial Centre, 1/F  
 510 Chee Koo Ling Road, Kowloon  
 Tel: 2389211-4 Fax: (852) 2717086  
 OWS NO. : J858-W-2103B REV : C