

工程指示 / 要求簡箋(E.I.)

工程指示編號：EI/8²⁴⁵/24

修改版次：-

工程編號：J - 858

工程名稱：將軍澳日出康城 11

工程項目：幕牆 起腳 收口鋁板 地盆用 T1-T3 9/F 補 5 件

收件人：生統

發件人：Paul Wong

日期：27/08/2024

要求提供 / 確認 事項

內容

24/8 發現

1. 因原 EI 5635 漏掉 AQ-51-22，現提供資料，補回生產 1 件

供地盤 T3 9/F ACAD 使用

2. 因早前改倉未有 9/F 鋁板：改

T1 AGBF: AQ-52-06 要補 1 件； AQ-51-13 由現場改短

T1 ACAD: AQ-52-06 要補 1 件； AQ-51-14 由現場改短

T2 AGBF: AQ-51-06 要補 1 件； AQ-51-17 由現場改短

T3 AGBF: AQ-51-06 要補 1 件； AQ-51-17 由現場改短

請在 2024.09.06 前完成上列要求。

附：頁

分發東莞各部門：

- () 生產技術總監 連附件 () 技術部 連附件 () 生產部 連附件 () 機械設計部 連附件
 () 採購部 連附件 (✓) 生產統籌部 連附件 (✓) 小羅 & 清 連附件
 () 質檢部 連附件 () 會計部 連附件 () 報關組 連附件 () 其他 _____ 連附件

分發香港各部門：

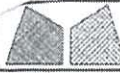
- () 行政部 連附件 () 會計部 連附件 () 統籌部 連附件 (✓) 工程部地盤科文 積哥 連附件
 () 採購部 連附件 () QS 部 連附件 () 維修部 連附件 () 其他 _____ 連附件

傳遞編號：

HK 1576 / 24

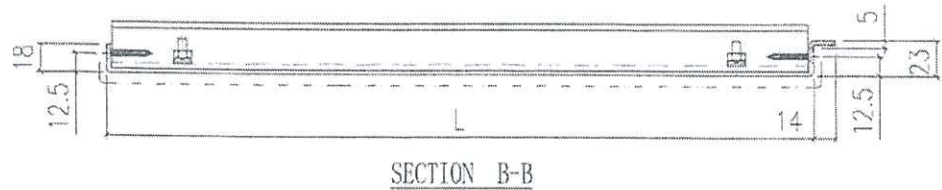
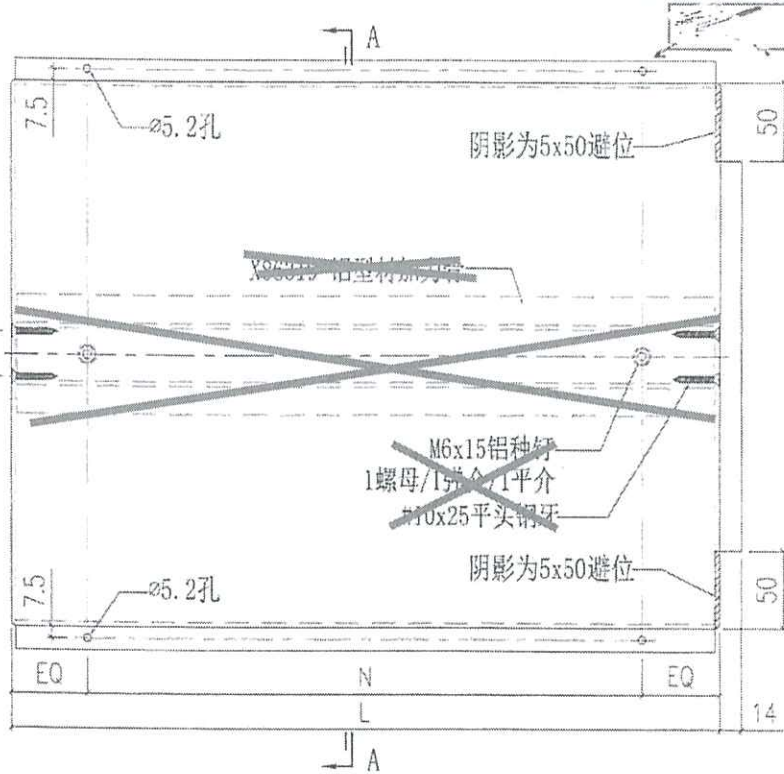
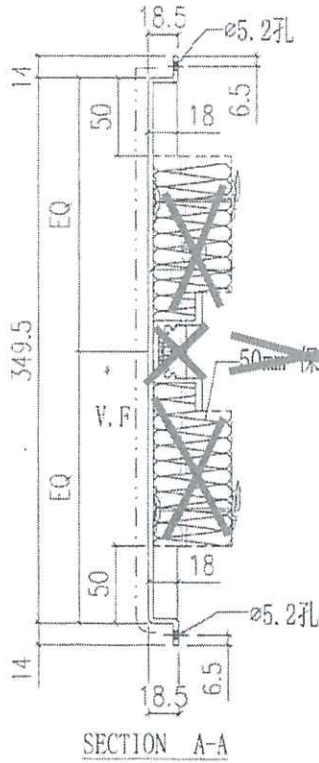
發件人簽署：

項目經理簽署：



美特鋁質有限公司
MIDI Aluminium Fabricator Ltd.

| | | | | | | | |
|-----|-------|------|-----------|------------|----------|-------|--------|
| 工程號 | J858 | 類別 | | 物料號 | - | | |
| 地盘 | 康城11期 | 制圖 | W. E. X | 2022-11-11 | 圖號 | AQ-51 | |
| 修改 | - | 採用工廠 | 地盤 | ✓ | 圖紙名稱 | 铝板加工图 | |
| 日期 | - | 材料颜色 | PR2 (香槟金) | 材料 | 3.0mm 铝板 | 復核 | - |
| | | | | | | 批准 | - |
| | | | | | | 數量 | - |
| | | | | | | 單件重量 | - (KG) |



放行

不用加力骨，
不用棉

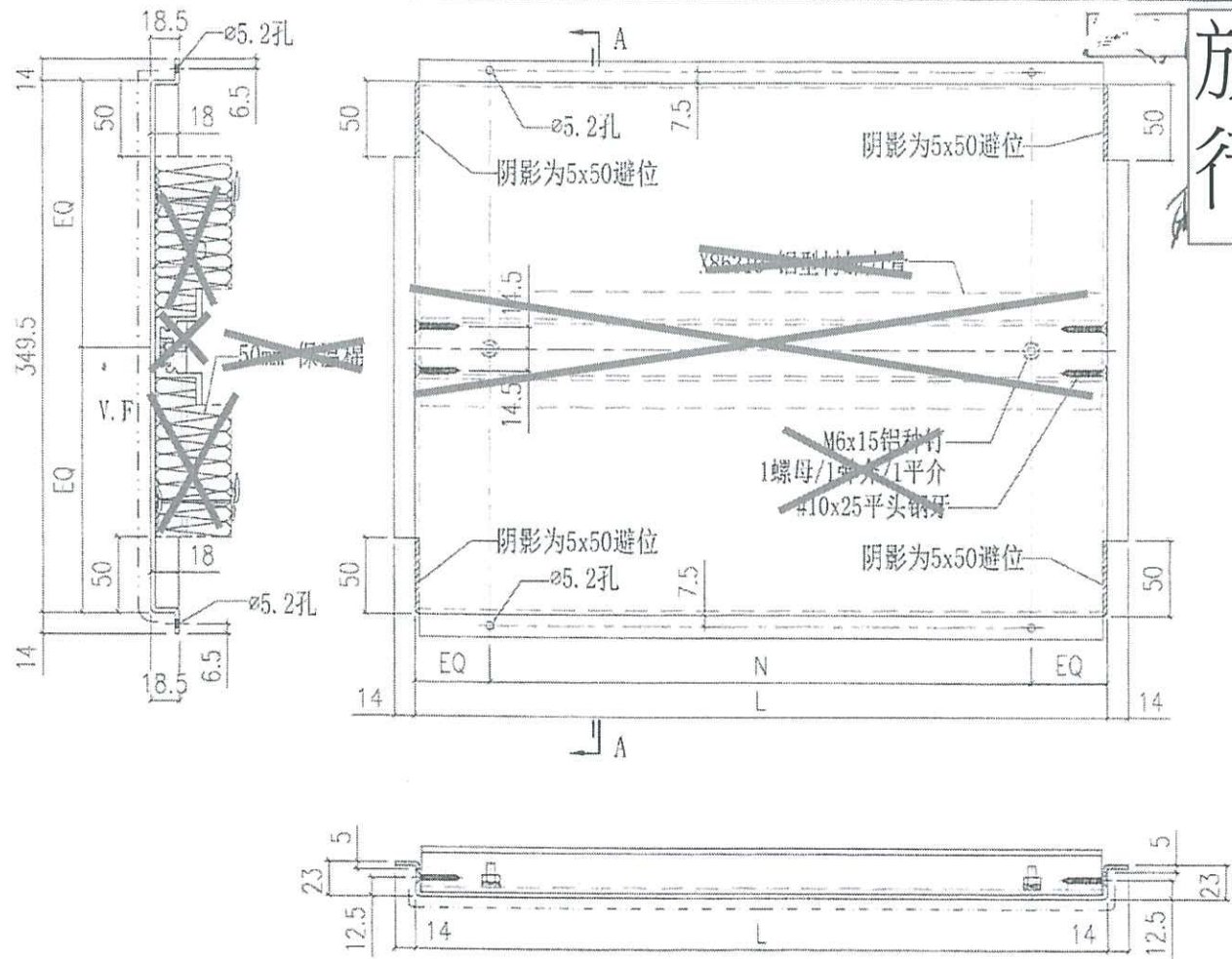
~~暫~~

2x/8

| 編號 | L | N |
|----------------|-------|-----------------|
| T3-AC-AQ-51-22 | 1435 | @300 c/c X 4 1件 |
| T2-BF-AQ-51-06 | 772.5 | @300 c/c X 2 1件 |
| T3-BF-AQ-51-06 | 772.5 | @300 c/c X 2 1件 |

| | | | | |
|--|---|-------------|------------|-------------|
| 美特鋁質有限公司 MIDI Aluminium Fabricator Ltd. | | 工程號 J858 | 類別 | 物料號 - |
| 修改 - | 採用工廠 <input checked="" type="checkbox"/> 地盤 <input checked="" type="checkbox"/> | 康城11期 | 制圖 W. E. X | 2022-11-11 |
| 日期 - | 材料顏色 PVF2 (香檳金) | 图纸名称 铝板加工图 | 復核 - | 圖號 AQ-52 |
| | | 材料 3.0mm 铝板 | 批准 - | 數量 - |
| | | | | 單件重量 - (KG) |

放行

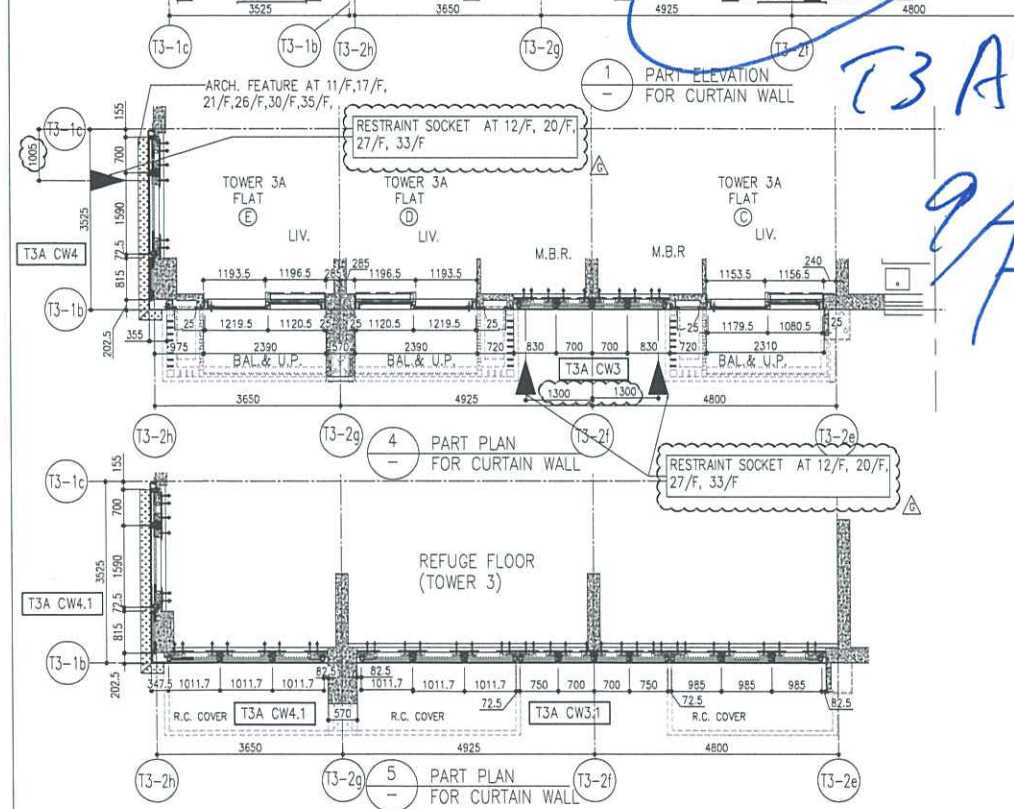
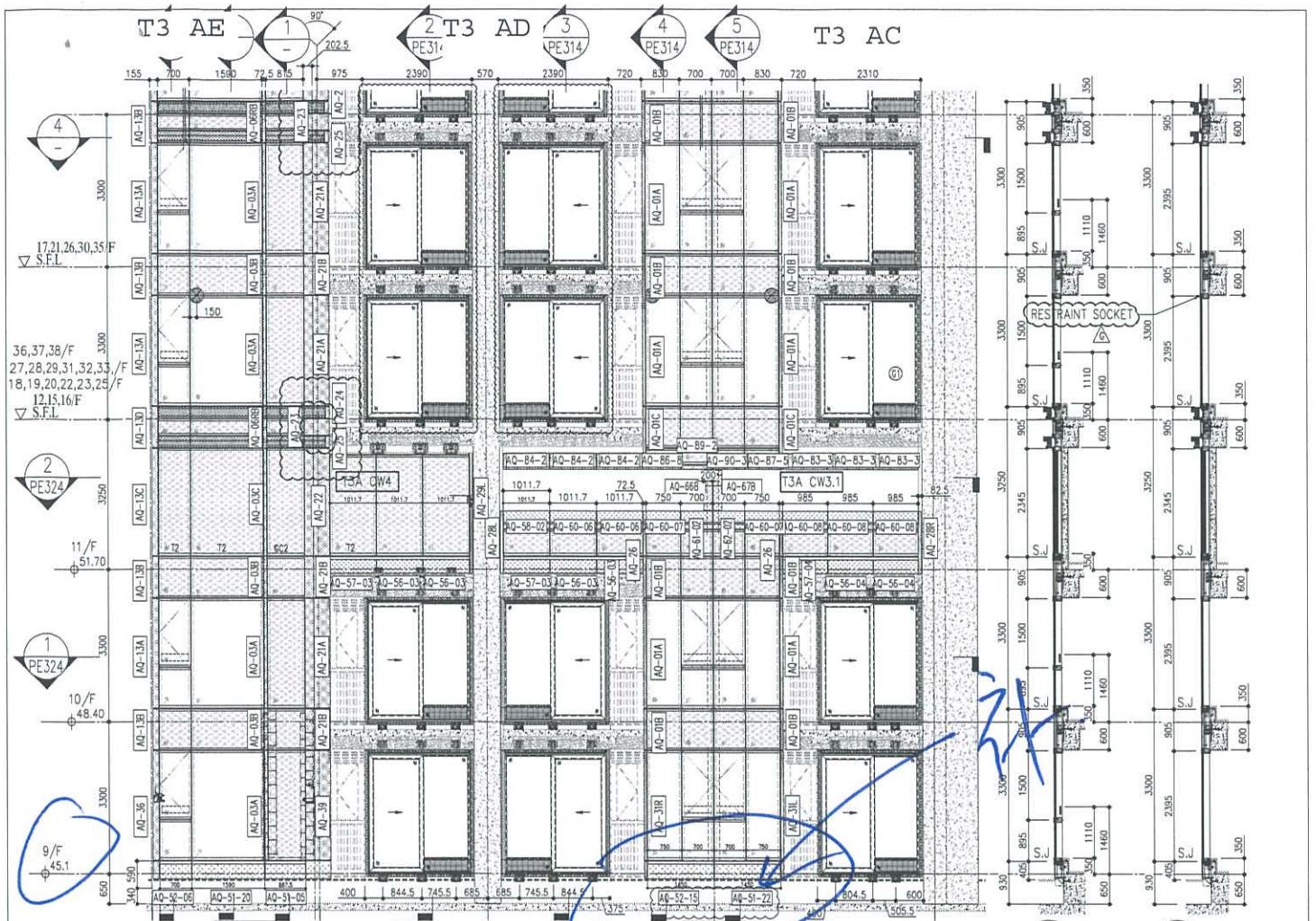


SECTION D-D

**不用加力骨，
不用棉**

28/8

| 編號 | L | N |
|----------------|-----|-----------------|
| T1-AC-AQ-52-06 | 735 | @300 c/c X 2 1件 |
| T1-BF-AQ-52-06 | 760 | @300 c/c X 2 1件 |
| | | |



T3 AC AD

9/F

| R/F | +217.00 | 67/F | +213.50 |
|------|---------|------|---------|
| 26/F | +91.25 | 59/F | +130.85 |
| 25/F | +87.95 | 38/F | +127.55 |
| 23/F | +84.65 | 37/F | +124.25 |
| 22/F | +81.35 | 36/F | +120.95 |
| 21/F | +78.05 | 35/F | +117.65 |
| 20/F | +74.75 | 33/F | +114.35 |
| 19/F | +71.45 | 32/F | +111.05 |
| 18/F | +68.15 | 31/F | 107.75 |
| 17/F | +64.85 | 30/F | +104.45 |
| 16/F | +61.55 | 29/F | +101.15 |
| 15/E | +58.25 | 28/F | +97.85 |
| 12/F | +54.95 | 27/F | +94.55 |
| | | 40/F | +134.15 |
| | | 53/F | +173.70 |

- LEGEND:**
- ① 10mm THK. HEAT STRENGTHENED GLASS (OUTSIDE) +12mm AIR SPACE + 12mm THK. TEMPERED GLASS
 - ② 10mm THK. HEAT STRENGTHENED GLASS (OUTSIDE) +12mm AIR SPACE + 10mm THK. TEMPERED GLASS
 - ③ 12mm THK. HEAT STRENGTHENED GLASS
 - ④ 12mm THK. CLEAR TEMPERED GLASS (INTERNAL PROTECTIVE BARRIER)
 - ⑤ 10mm THK. HEAT STRENGTHENED GLASS (OUTSIDE) +12mm AIR SPACE + 12mm THK. TEMPERED GLASS WITH REFLECTIVE COATING
 - ⑥ 10mm THK. CLEAR TEMPERED GLASS
 - ⑦ 8mm THK. CLEAR HEAT-STRENGTHENED GLASS +1.52mm PVB + 8mm THK. CLEAR HEAT-STRENGTHENED GLASS
 - ⑧ 3 mm THK. ALUM. CLADDING
 - ⑨ 3 mm THK. ALUM. BACKPAN
 - ⑩ STACK JOINT
 - ⑪ RESTRAINT SOCKET

PE313

DATE: 22
DRAWN BY: [Name]
CHECKED BY: [Name]

PE313

PROJECT: [Name]
JOB NO.: [Number]

| NO. | REVISION | DATE | BY | REASON |
|-----|--------------------|----------|--------|--------------------|
| 1 | ISSUED FOR PERMITS | 14/06/22 | [Name] | ISSUED FOR PERMITS |
| 2 | ISSUED FOR PERMITS | 22/06/22 | [Name] | ISSUED FOR PERMITS |
| 3 | ISSUED FOR PERMITS | 22/06/22 | [Name] | ISSUED FOR PERMITS |
| 4 | ISSUED FOR PERMITS | 22/06/22 | [Name] | ISSUED FOR PERMITS |
| 5 | ISSUED FOR PERMITS | 22/06/22 | [Name] | ISSUED FOR PERMITS |
| 6 | ISSUED FOR PERMITS | 22/06/22 | [Name] | ISSUED FOR PERMITS |
| 7 | ISSUED FOR PERMITS | 22/06/22 | [Name] | ISSUED FOR PERMITS |
| 8 | ISSUED FOR PERMITS | 22/06/22 | [Name] | ISSUED FOR PERMITS |
| 9 | ISSUED FOR PERMITS | 22/06/22 | [Name] | ISSUED FOR PERMITS |
| 10 | ISSUED FOR PERMITS | 22/06/22 | [Name] | ISSUED FOR PERMITS |

AECOM

Gammou

ronald lu & partners

CLIENT: 德和置业有限公司
Sino Land Company Limited

PROJECT: [Name]

DATE: [Date]

SCALE: [Scale]

REVISIONS: [List]

LEGEND: [List]

NOTE: [List]

PROJECT: [Name]

DATE: [Date]

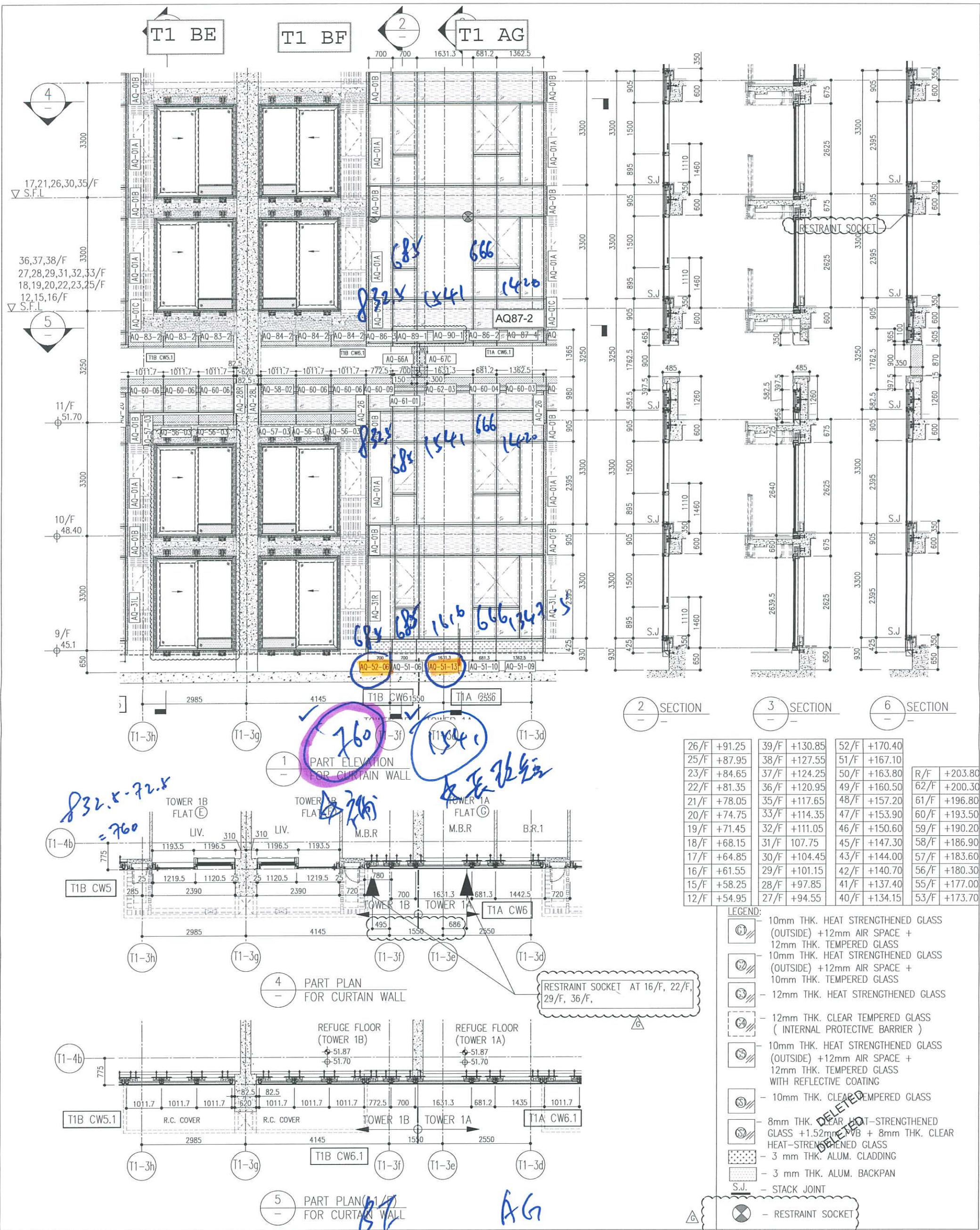
SCALE: [Scale]

REVISIONS: [List]

LEGEND: [List]

NOTE: [List]

T3



PE108

REVISIONS:

| NO. | DATE | REVISION | BY | CHK |
|-----|----------|-------------------------|----|-----|
| 1 | 03/12/21 | REVISED AS PER | LS | LS |
| 2 | 18/02/22 | REVISED AS PER COMMENTS | LS | LS |
| 3 | 16/02/22 | REVISED AS PER COMMENTS | LS | LS |
| 4 | 06/04/22 | REVISED AS PER COMMENTS | LS | LS |
| 5 | 23/05/22 | REVISED AS PER COMMENTS | LS | LS |
| 6 | 17/08/22 | REVISED AS PER COMMENTS | LS | LS |

PROJECT: PROPOSED RESIDENTIAL AT TQTL TOP PHASE TSEUNG KWAN

ARCHITECT: ronald lu & partners

STRUCTURAL ENGINEER: AECOM

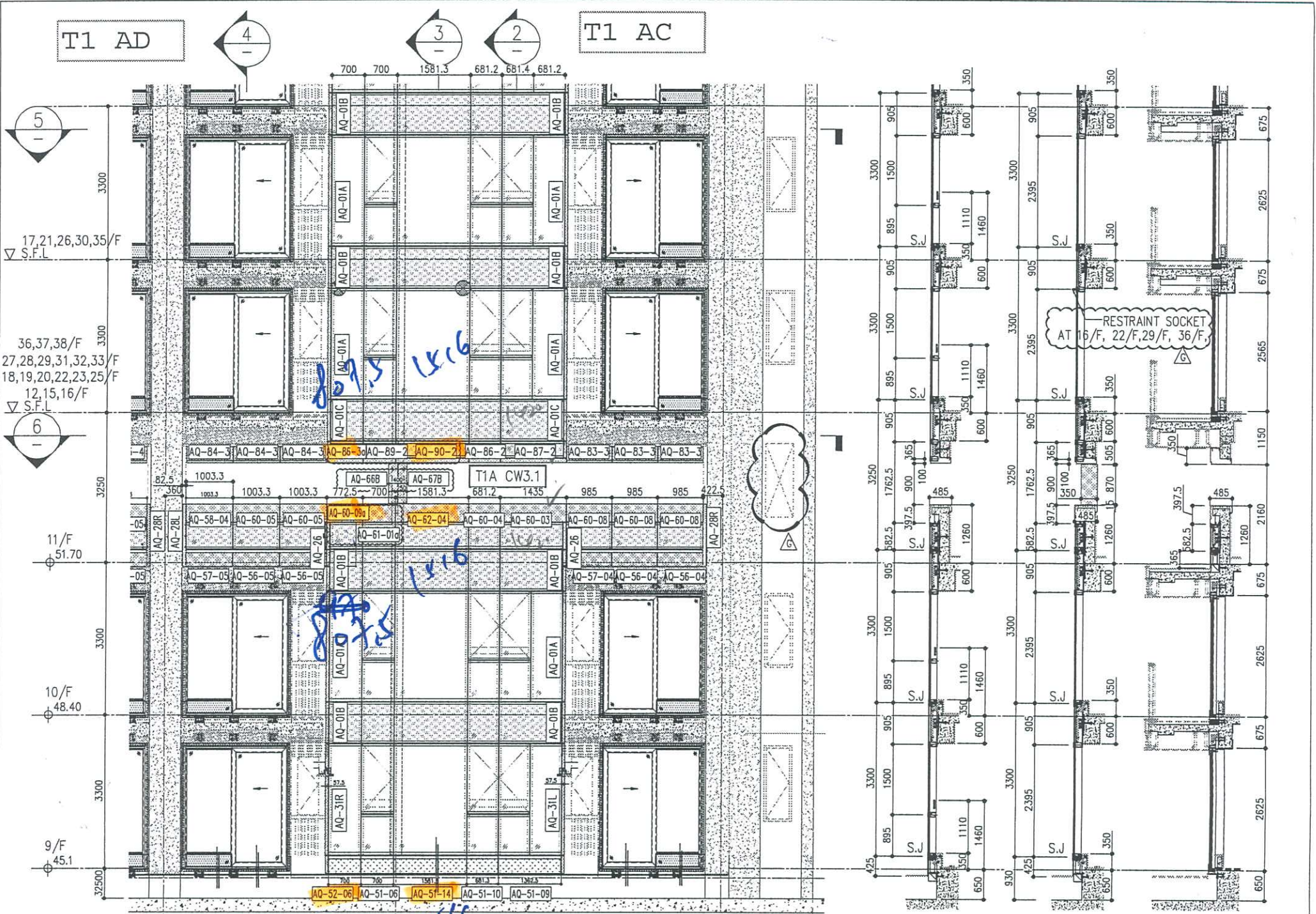
CLIENT: 信和置業有限公司

FRACADE CONSULTANT: AECOM

DATE: 22-OCT-21

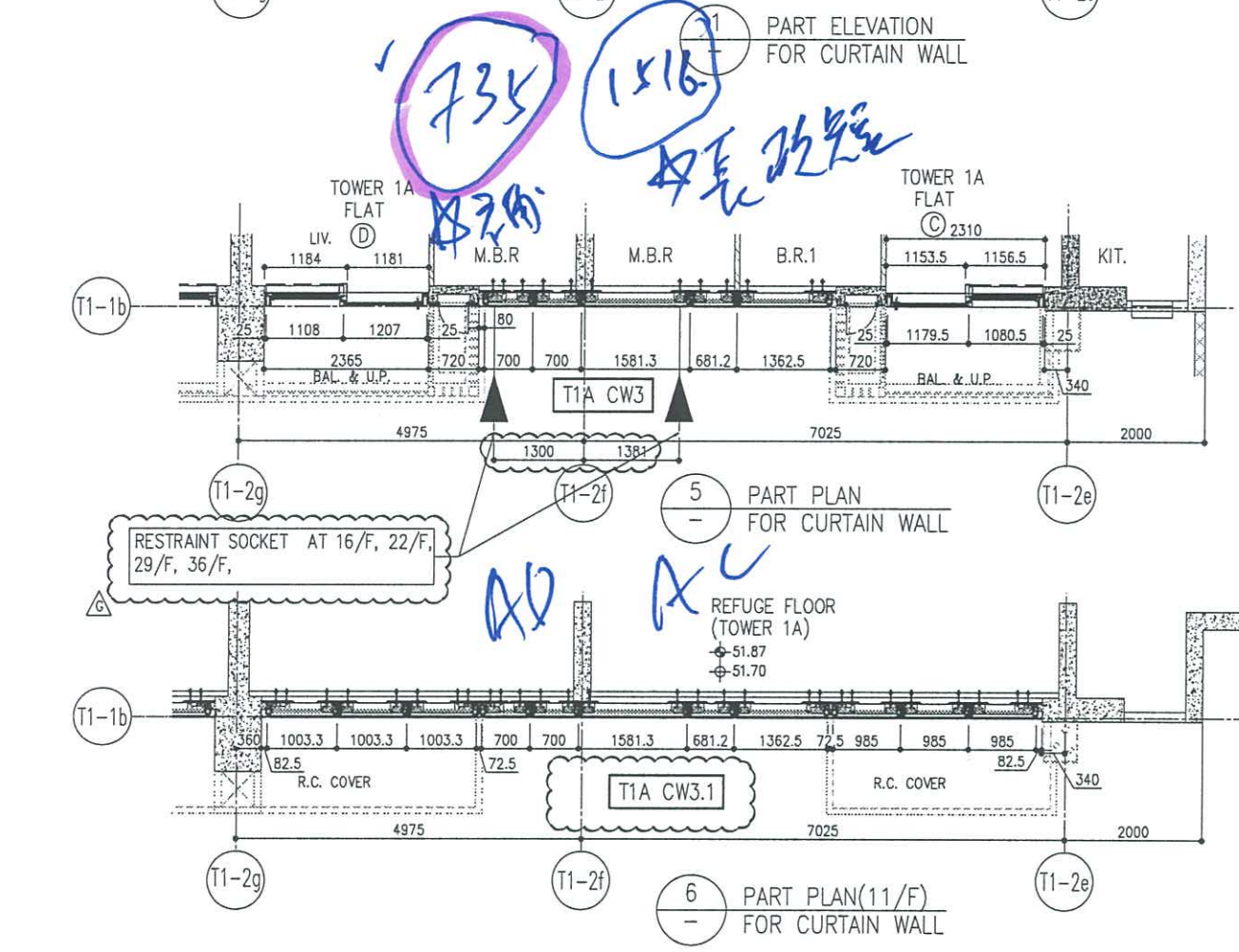
DWG NO.: JB58-CW-PE108

REV.: G



2 SECTION 3 SECTION 4 SECTION

26
4.



| | | | | | | | |
|------|--------|------|---------|------|---------|------|---------|
| 26/F | +91.25 | 39/F | +130.85 | 52/F | +170.40 | | |
| 25/F | +87.95 | 38/F | +127.55 | 51/F | +167.10 | R/F | +203.80 |
| 23/F | +84.65 | 37/F | +124.25 | 50/F | +163.80 | 62/F | +200.30 |
| 22/F | +81.35 | 36/F | +120.95 | 49/F | +160.50 | 61/F | +196.80 |
| 21/F | +78.05 | 35/F | +117.65 | 48/F | +157.20 | 60/F | +193.50 |
| 20/F | +74.75 | 33/F | +114.35 | 47/F | +153.90 | 59/F | +190.20 |
| 19/F | +71.45 | 32/F | +111.05 | 46/F | +150.60 | 58/F | +186.90 |
| 18/F | +68.15 | 31/F | +107.75 | 45/F | +147.30 | 57/F | +183.60 |
| 17/F | +64.85 | 30/F | +104.45 | 43/F | +144.00 | 56/F | +180.30 |
| 16/F | +61.55 | 29/F | +101.15 | 42/F | +140.70 | 55/F | +177.00 |
| 15/F | +58.25 | 28/F | +97.85 | 41/F | +137.40 | 53/F | +173.70 |
| 12/F | +54.95 | 27/F | +94.55 | 40/F | +134.15 | | |

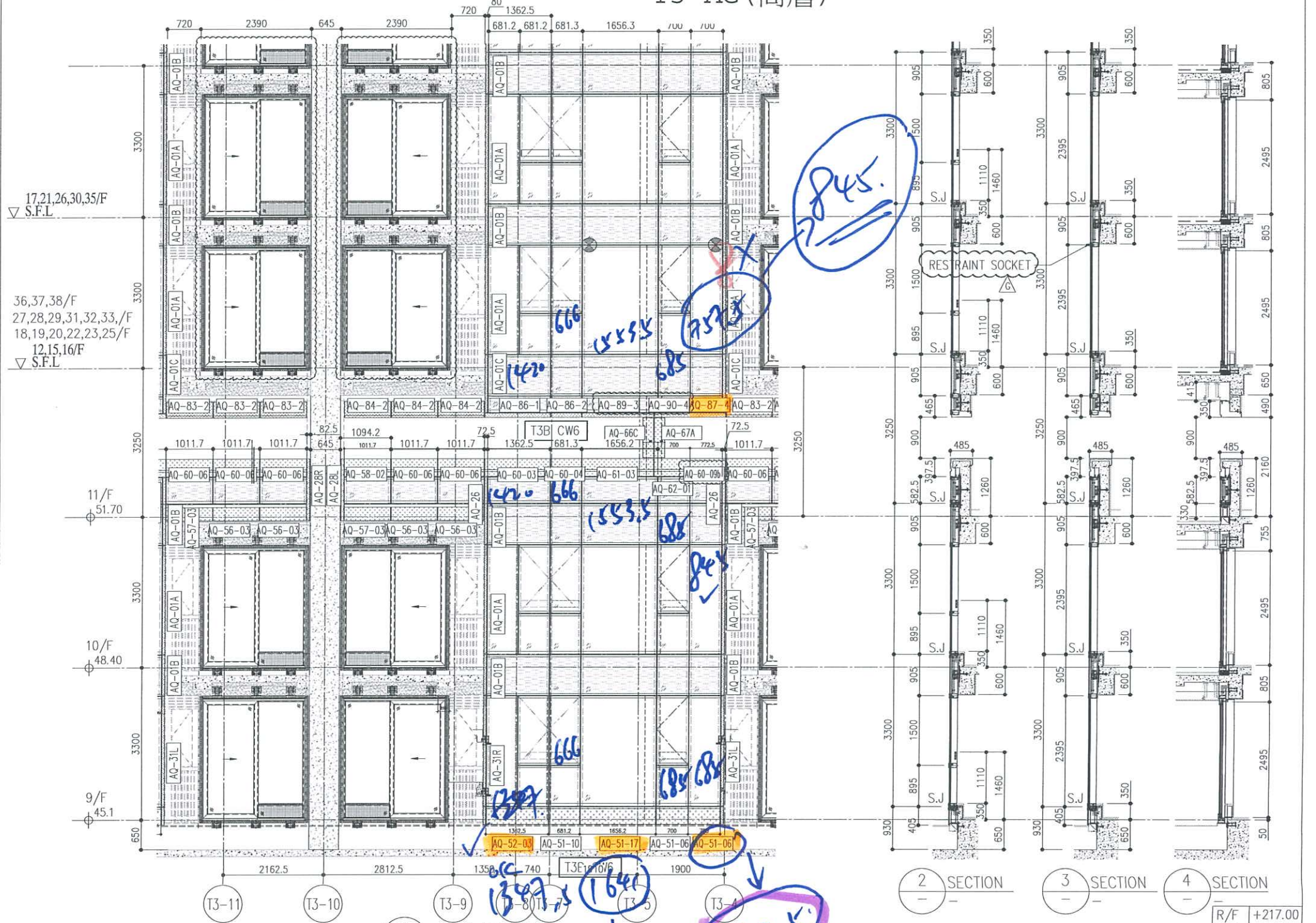
- LEGEND:
- (C) 10mm THK. HEAT STRENGTHENED GLASS (OUTSIDE) + 12mm AIR SPACE + 12mm THK. TEMPERED GLASS
 - (S) 10mm THK. HEAT STRENGTHENED GLASS (OUTSIDE) + 12mm AIR SPACE + 10mm THK. TEMPERED GLASS
 - (S) 12mm THK. HEAT STRENGTHENED GLASS
 - (S) 12mm THK. CLEAR TEMPERED GLASS (INTERNAL PROTECTIVE BARRIER)
 - (S) 10mm THK. HEAT STRENGTHENED GLASS (OUTSIDE) + 12mm AIR SPACE + 12mm THK. TEMPERED GLASS WITH REFLECTIVE COATING
 - (S) 10mm THK. CLEAR TEMPERED GLASS
 - (S) 8mm THK. CLEAR HEAT STRENGTHENED GLASS + 1.52mm PVB + 8mm THK. CLEAR HEAT-STRENGTHENED GLASS
 - (S) 3 mm THK. ALUM. CLADDING
 - (S) 3 mm THK. ALUM. BACKPAN
 - S.J. - STACK JOINT
 - (S) - RESTRAINT SOCKET

| <p>DATE : 22-OCT-21</p> <p>DWG NO. : J558-CW-PE114</p> <p>REV. : G</p> | <p>TITLE : TYPICAL FLOOR ELEVATION & SECTION FOR CURTAIN WALL</p> <p>PROJECT : PROPOSED RESIDENTIAL AT TIKOIL TOWER PHASE TSEUNG KWAN</p> <p>JOB NO. : J-855</p> | <p>REVISIONS:</p> <table border="1"> <tr><th>NO.</th><th>DATE</th><th>REVISIONS</th><th>BY</th><th>CHK</th></tr> <tr><td>G</td><td>17/08/22</td><td>REVISED AS PER COMMENTS</td><td>LS</td><td>LS</td></tr> <tr><td>F</td><td>26/07/22</td><td>REVISED AS PER COMMENTS</td><td>LS</td><td>LS</td></tr> <tr><td>E</td><td>23/05/22</td><td>REVISED AS PER COMMENTS</td><td>LS</td><td>LS</td></tr> <tr><td>D</td><td>06/04/22</td><td>REVISED AS PER COMMENTS</td><td>LS</td><td>LS</td></tr> <tr><td>C</td><td>17/02/22</td><td>REVISED AS PER COMMENTS</td><td>LS</td><td>LS</td></tr> <tr><td>B</td><td>20/12/21</td><td>REVISED AS PER COMMENTS</td><td>LS</td><td>LS</td></tr> <tr><td>A</td><td>03/12/21</td><td>REVISED AS PER COMMENTS</td><td>LS</td><td>LS</td></tr> </table> | NO. | DATE | REVISIONS | BY | CHK | G | 17/08/22 | REVISED AS PER COMMENTS | LS | LS | F | 26/07/22 | REVISED AS PER COMMENTS | LS | LS | E | 23/05/22 | REVISED AS PER COMMENTS | LS | LS | D | 06/04/22 | REVISED AS PER COMMENTS | LS | LS | C | 17/02/22 | REVISED AS PER COMMENTS | LS | LS | B | 20/12/21 | REVISED AS PER COMMENTS | LS | LS | A | 03/12/21 | REVISED AS PER COMMENTS | LS | LS | <p>NOTE:</p> <ol style="list-style-type: none"> ALL DIMENSIONS ARE IN mm. ALL ELEVATIONS ARE VIEWED FROM OUTSIDE. ALL DIMENSIONS TO BE VERIFIED ON SITE BEFORE FABRICATION. <p>LEGEND:</p> <ul style="list-style-type: none"> (X1) DETAIL MARK NO. (X00) REFER SHEET NO. 1. F.F.L. --- FINISHED FLOOR LEVEL 2. S.F.L. --- STRUCTURAL FLOOR LEVEL 3. (R) --- REVERSED DETAIL | <p>ARCHITECT:</p> <p>ronald lu & partners</p> <p>Ronald Lu & Partners (HK) Ltd.</p> <p>MANU CONTRACTOR:</p> <p>Gammorn</p> <p>STRUCTURAL ENGINEER:</p> <p>AECOM</p> <p>CLIENT:</p> <p>信和置業有限公司</p> <p>Sino Land Company Limited</p> | <p>B.D. REF. :</p> |
|--|--|--|-----|------|-----------|----|-----|---|----------|-------------------------|----|----|---|----------|-------------------------|----|----|---|----------|-------------------------|----|----|---|----------|-------------------------|----|----|---|----------|-------------------------|----|----|---|----------|-------------------------|----|----|---|----------|-------------------------|----|----|---|--|--------------------|
| NO. | DATE | REVISIONS | BY | CHK | | | | | | | | | | | | | | | | | | | | | | | | | | | | | | | | | | | | | | | | | |
| G | 17/08/22 | REVISED AS PER COMMENTS | LS | LS | | | | | | | | | | | | | | | | | | | | | | | | | | | | | | | | | | | | | | | | | |
| F | 26/07/22 | REVISED AS PER COMMENTS | LS | LS | | | | | | | | | | | | | | | | | | | | | | | | | | | | | | | | | | | | | | | | | |
| E | 23/05/22 | REVISED AS PER COMMENTS | LS | LS | | | | | | | | | | | | | | | | | | | | | | | | | | | | | | | | | | | | | | | | | |
| D | 06/04/22 | REVISED AS PER COMMENTS | LS | LS | | | | | | | | | | | | | | | | | | | | | | | | | | | | | | | | | | | | | | | | | |
| C | 17/02/22 | REVISED AS PER COMMENTS | LS | LS | | | | | | | | | | | | | | | | | | | | | | | | | | | | | | | | | | | | | | | | | |
| B | 20/12/21 | REVISED AS PER COMMENTS | LS | LS | | | | | | | | | | | | | | | | | | | | | | | | | | | | | | | | | | | | | | | | | |
| A | 03/12/21 | REVISED AS PER COMMENTS | LS | LS | | | | | | | | | | | | | | | | | | | | | | | | | | | | | | | | | | | | | | | | | |

T3 BE (高層)

T3 BF (高層)

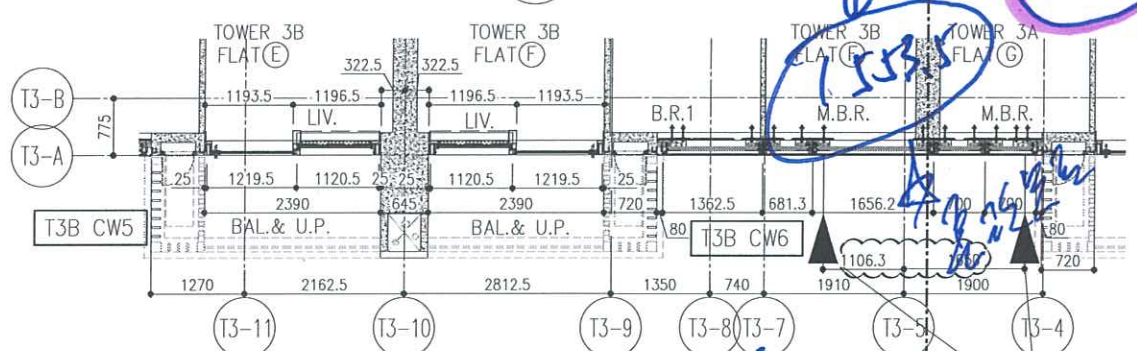
T3 AG (高層)



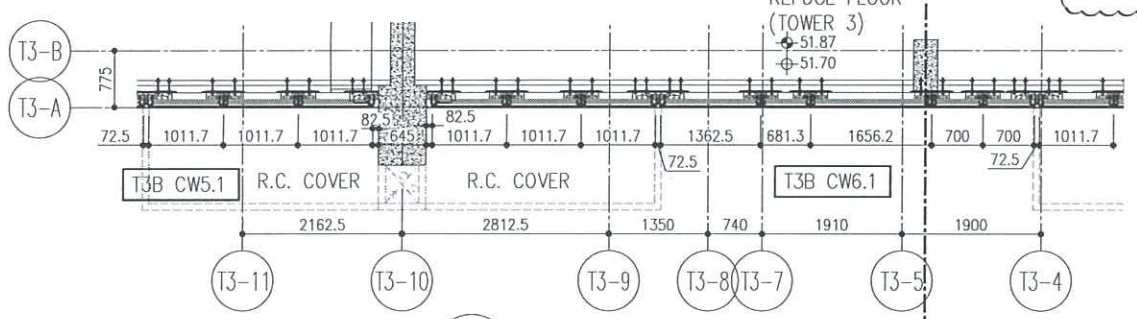
1 PART ELEVATION FOR CURTAIN WALL

2 SECTION
3 SECTION
4 SECTION

| R/F | +217.00 |
|------|---------|
| 67/F | +213.50 |
| 26/F | +91.25 |
| 25/F | +87.95 |
| 23/F | +84.65 |
| 22/F | +81.35 |
| 21/F | +78.05 |
| 20/F | +74.75 |
| 19/F | +71.45 |
| 18/F | +68.15 |
| 17/F | +64.85 |
| 16/F | +61.55 |
| 15/F | +58.25 |
| 12/F | +54.95 |
| 39/F | +130.85 |
| 37/F | +124.25 |
| 36/F | +120.95 |
| 35/F | +117.65 |
| 33/F | +114.35 |
| 32/F | +111.05 |
| 31/F | 107.75 |
| 30/F | +104.45 |
| 29/F | +101.15 |
| 28/F | +97.85 |
| 27/F | +94.55 |
| 52/F | +170.40 |
| 51/F | +167.10 |
| 50/F | +163.80 |
| 49/F | +160.50 |
| 48/F | +157.20 |
| 47/F | +153.90 |
| 46/F | +150.60 |
| 45/F | +147.30 |
| 43/F | +144.00 |
| 42/F | +140.70 |
| 41/F | +137.40 |
| 40/F | +134.10 |
| 66/F | +210.00 |
| 65/F | +206.70 |
| 63/F | +203.40 |
| 62/F | +200.10 |
| 61/F | +196.80 |
| 60/F | +193.50 |
| 59/F | +190.20 |
| 58/F | +186.90 |
| 57/F | +183.60 |
| 56/F | +180.30 |
| 55/F | +177.00 |
| 53/F | +173.70 |



5 PART PLAN FOR CURTAIN WALL



6 PART PLAN FOR CURTAIN WALL

RESTRAINT SOCKET AT 12/F, 20/F, 27/F, 33/F

- LEGEND:
- (G1) 10mm THK. HEAT STRENGTHENED GLASS (OUTSIDE) +12mm AIR SPACE + 12mm THK. TEMPERED GLASS
 - (G2) 10mm THK. HEAT STRENGTHENED GLASS (OUTSIDE) +12mm AIR SPACE + 10mm THK. TEMPERED GLASS
 - (G3) 12mm THK. HEAT STRENGTHENED GLASS
 - (G4) 12mm THK. CLEAR TEMPERED GLASS (INTERNAL PROTECTIVE BARRIER)
 - (G5) 10mm THK. HEAT STRENGTHENED GLASS (OUTSIDE) +12mm AIR SPACE + 12mm THK. TEMPERED GLASS WITH REFLECTIVE COATING
 - (G6) 10mm THK. CLEAR TEMPERED GLASS
 - (G7) 8mm THK. CLEAR HEAT-STRENGTHENED GLASS +52mm PVB + 8mm THK. CLEAR HEAT-STRENGTHENED GLASS
 - (G8) 3 mm THK. ALUM. CLADDING
 - (G9) 3 mm THK. ALUM. BACKPAN
 - (S.J.) STACK JOINT
 - (RS) RESTRAINT SOCKET

PE308

UNITED FABRICATORS LTD.

DATE: 2

PROJECT: AT

TITLE: PARTIAL CURTAIN WALL PLAN (TOWER 3)

DEVELOPMENT: LOHAS PARK N.T.

JOB NO.:

PROJ. NO.:

DATE: 03/12/21

REVISIONS:

| NO. | DATE | REVISION |
|-----|----------|-------------------------|
| G | 18/08/22 | REVISED AS PER COMMENTS |
| F | 25/07/22 | REVISED AS PER COMMENTS |
| E | 25/05/22 | REVISED AS PER COMMENTS |
| D | 22/04/20 | REVISED AS PER COMMENTS |
| C | 22/01/22 | REVISED AS PER COMMENTS |
| B | 20/12/21 | REVISED AS PER COMMENTS |
| A | 03/12/21 | REVISED AS PER COMMENTS |

NOTE:

- ALL DIMENSIONS ARE IN mm.
- ALL ELEVATIONS ARE VIEWED FROM OUTSIDE.
- ALL DIMENSIONS TO BE VERIFIED ON SITE BEFORE FABRICATION.

LEGEND:

- (X1) DETAIL MARK NO.
- (X20) REFER SHEET NO.
- 1. F.F.L. --- FINISHED FLOOR LEVEL
- 2. S.F.L. --- STRUCTURAL FLOOR LEVEL
- 3. --- REVERSED DETAIL

FAÇADE CONSULTANT: **AECOM**

STRUCTURAL ENGINEER: **Gammou**

ARCHITECT: **ronald lu & partners**

CLIENT: **信和置業有限公司**
Sino Land Company Limited

MAIN CONTRACTOR: **Ronald Lu & Partners (HK) Ltd.**
呂元祥建築師事務所 (香港) 有限公司

BD. REF.:

T3