



工程指示 / 要求簡箋(E.I.)

工程指示編號：EI / 8/36/ 24

修改版次：-

工程編號：J - 858

工程名稱：將軍澳日出康城

工程項目：T3 幕牆單元件 40/F BA 單位 玻璃 BM 更換 共 6 件 地盆用

收件人：Maggie

發件人：Ant Yeung

日期：02/08/2024

要求提供 / 確認 事項：

- | | | |
|------------------------------------|-------------------------------------|-------------------------------|
| <input type="checkbox"/> 初步鋁料 B.M. | <input type="checkbox"/> 加工拆圖，然後生產 | <input type="checkbox"/> 尺寸表 |
| <input type="checkbox"/> 正式鋁料 B.M. | <input type="checkbox"/> 技術上資料 / 指示 | <input type="checkbox"/> 報價 |
| <input type="checkbox"/> 配件 B.M. | <input type="checkbox"/> 樣辦或貨品說明書 | <input type="checkbox"/> 分判合約 |

內容：

因應 T3 BA 40/F 火燭，會拆玻璃更換 6 件。請生產，送地盆。

1. 地盤更換之用

GL03-11 (1 件); GL03-12 (1 件); GL03-41 (1 件);
GL03-106 (1 件); GL03-107 (1 件); GL03-115 (1 件)

反光片，不用熱浸。

生產後待地盆安排，通知後才出貨。

附 MC 42902，BD 會議，業主，Aecom facade，RE 要求。謝謝

請在 2024. 08. 15 前完成上列要求。

分發東莞各部門：

- | | | | | | | | |
|---------------------------------|------------------------------|--------------------------------|------------------------------|-------------------------------|------------------------------|--------------------------------|------------------------------|
| <input type="checkbox"/> 生產技術總監 | <input type="checkbox"/> 連附件 | <input type="checkbox"/> 技術部 | <input type="checkbox"/> 連附件 | <input type="checkbox"/> 生產部 | <input type="checkbox"/> 連附件 | <input type="checkbox"/> 機械設計部 | <input type="checkbox"/> 連附件 |
| <input type="checkbox"/> 採購部 | <input type="checkbox"/> 連附件 | <input type="checkbox"/> 生產統籌部 | <input type="checkbox"/> 連附件 | <input type="checkbox"/> 小羅&清 | <input type="checkbox"/> 連附件 | | |
| <input type="checkbox"/> 質檢部 | <input type="checkbox"/> 連附件 | <input type="checkbox"/> 會計部 | <input type="checkbox"/> 連附件 | <input type="checkbox"/> 報關組 | <input type="checkbox"/> 連附件 | <input type="checkbox"/> 其他 | <input type="checkbox"/> 連附件 |

分發香港各部門：

- | | | | | | | | |
|-----------------------------------------|-----------------------------------------|-------------------------------|------------------------------|------------------------------|------------------------------|---------------------------------------------|-----------------------------------------|
| <input type="checkbox"/> 行政部 | <input type="checkbox"/> 連附件 | <input type="checkbox"/> 會計部 | <input type="checkbox"/> 連附件 | <input type="checkbox"/> 統籌部 | <input type="checkbox"/> 連附件 | <input checked="" type="checkbox"/> 工程部地盤科文 | <input checked="" type="checkbox"/> 連附件 |
| <input checked="" type="checkbox"/> 採購部 | <input checked="" type="checkbox"/> 連附件 | <input type="checkbox"/> QS 部 | <input type="checkbox"/> 連附件 | <input type="checkbox"/> 維修部 | <input type="checkbox"/> 連附件 | <input type="checkbox"/> 其他 | <input type="checkbox"/> 連附件 |

傳遞編號：

HK / 24


發件人簽署：

項目經理簽署：

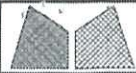
J858康城11期单元幕墙玻璃分层统计表 (T3)

工程: J858康城11期(T3)

日期: 2-Aug-24

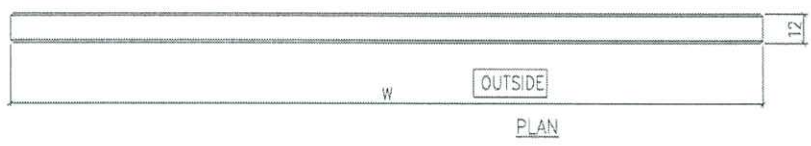
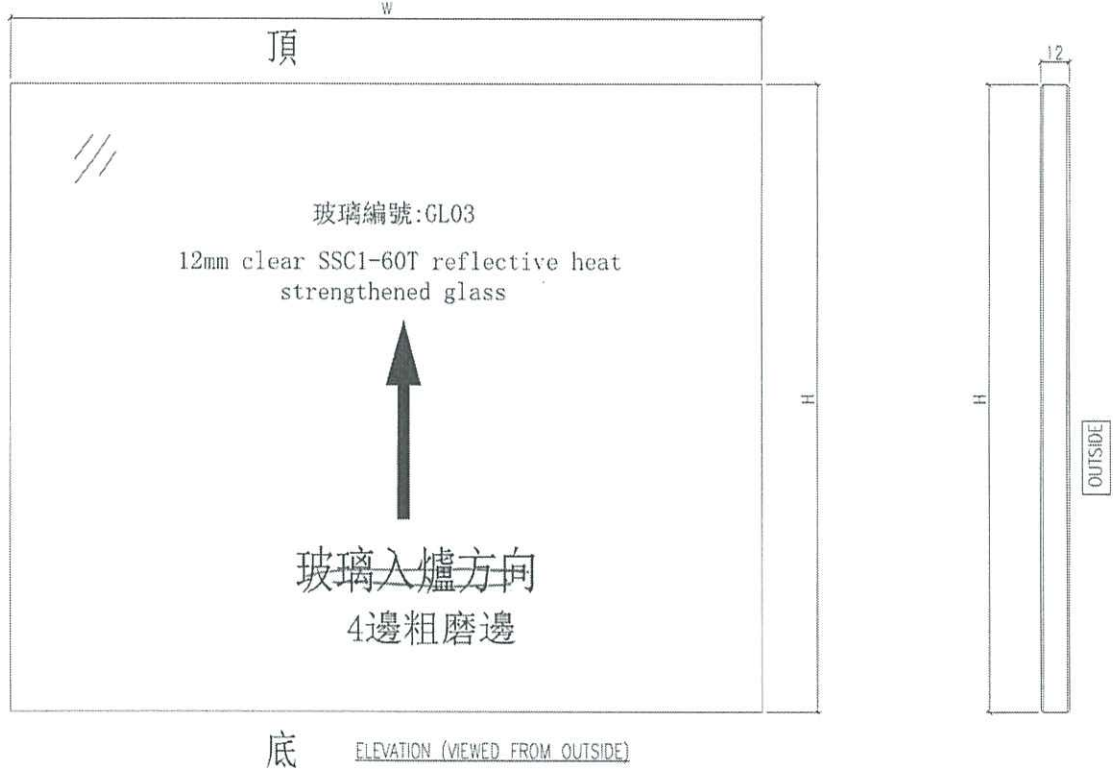
序号	玻璃编号	玻璃类型	玻璃尺寸		单面积 (m2)	分层数量				备注	总面积 (m2)	
			W(mm)	H(mm)		9F(10,12~16,18~20,22~25,27~29,31~33,36~38,41~42,45~47,49~51,53~56,58~60,52~65F相同, 共37层)	11F	40F	17F(21,26,30,35,39,43,48,52,57,61F相同, 共11层)			5F
1	GL03-11	GL03	1325	x 843	1.12	1				1	送地盤	1.1
2	GL03-12	GL03	644	x 843	0.54					1	送地盤	0.5
3	GL03-41	GL03	1687	x 843	1.42					1	送地盤	1.4
4	GL03-106	GL03	1325	x 308	0.41					1	送地盤	0.4
5	GL03-107	GL03	644	x 308	0.20					1	送地盤	0.2
6	GL03-115	GL03	1687	x 308	0.52					1	送地盤	0.5
	GL03	12mm THK. HEAT STRENGTHEN GLASS .Reflective Glass SSC1-60T										(R20220324054)

共6件
地盤更換



美特鋁質有限公司
MIDI Aluminium Fabricator Ltd.

工程號	J858	類別		物料號	-
地盘	康城11期	制圖	W. E. X	2022-05-12	圖號 J858-GL03
修改	-	採用工廠	✓	地盤	-
日期	-	材料颜色	-	图纸名称	玻璃加工图
		材料	-	復核	-
				批准	-
				數量	-
				單件重量	- (KG)

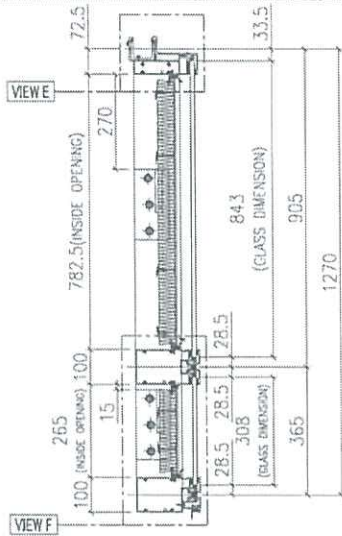
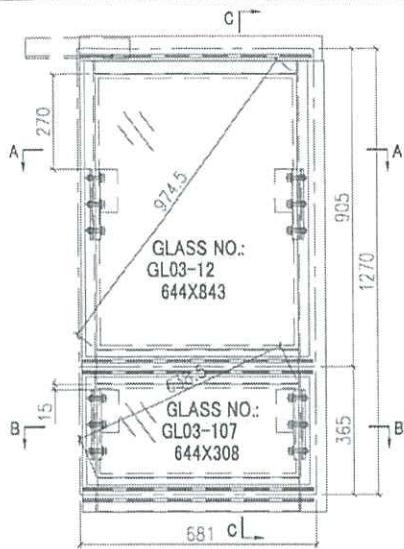


及詳

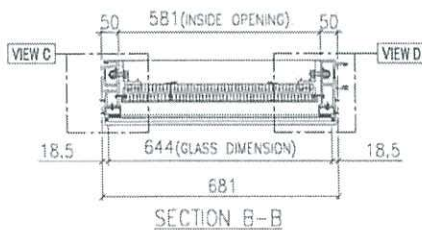
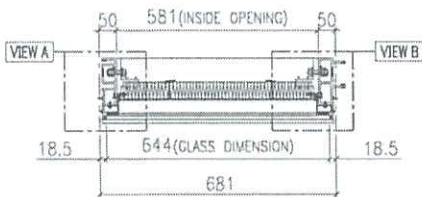
生产厂编号: R20220324054

- NOTES
1. ALL DIMENSION IN mm
 2. ALL EDGE CHAMFER 1x1x45°

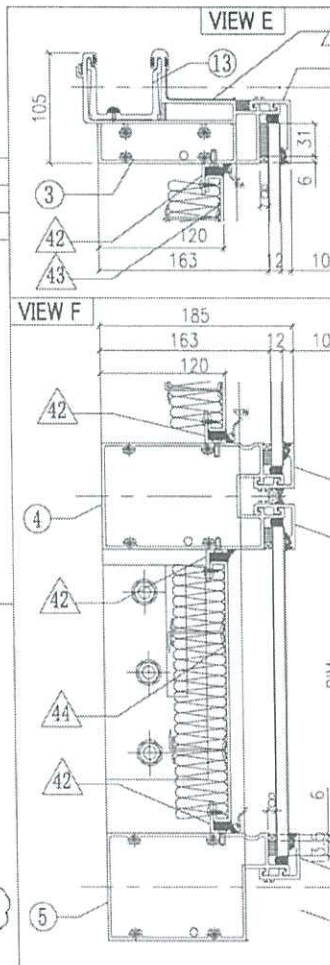
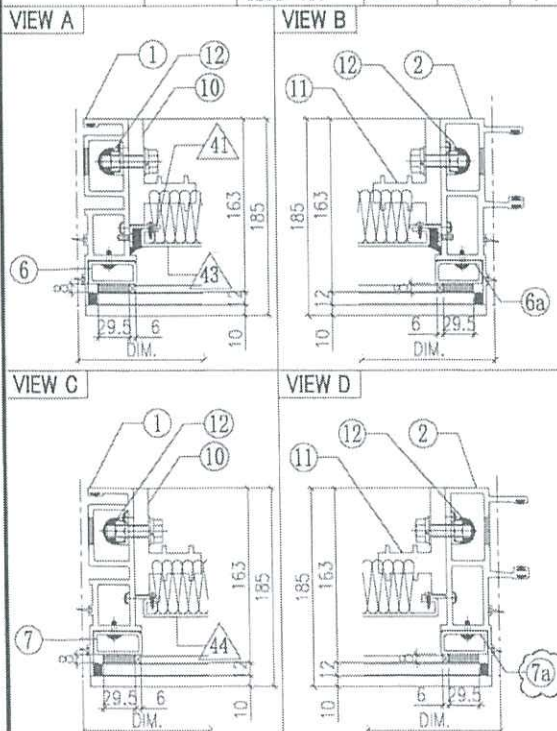
G3



T3B-CW6-1102	1	11/F
T3B-CW6-4002	1	40/F
TOTAL	22	



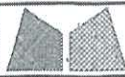
GLASS	GLASS NUMBER	WIDTH	HEIGHT	QTY.
	GL03-12	644	843	1
	GL03-107	644	308	1



AF-164	INSTALL UNIT NO.	QTY.	FLOOR
	T1A-CW6-1102	1	11/F
	T1A-CW6-4002	1	40/F
	T1A-CW3-1104	1	11/F
	T1A-CW3-4004	1	40/F
	T1A-CW1-1102	1	11/F
	T1A-CW1-4002	1	40/F
	T1B-CW1-1102	1	11/F
	T1B-CW1-4002	1	40/F
	T2A-CW1-1102	1	11/F
	T2A-CW1-4002	1	40/F
	T2B-CW1-1102	1	11/F
	T2B-CW1-4002	1	40/F
	T2B-CW6-1102	1	11/F
	T2B-CW6-4002	1	40/F
	T3A-CW1-1102	1	11/F
	T3A-CW1-4002	1	40/F
	T3B-CW1-1102	1	11/F
	T3B-CW1-4002	1	40/F
	T3B-CW5-1102	1	11/F
	T3B-CW5-4002	1	40/F

○ ALUM. EXTRUSION			
ITEM	FAB. DWG NO.	LENGTH (mm)	QTY
1	X86273-14	1294.5	1
2	X86272-09	1294.5	1
3	X86279-15G	666	1
4	X86308-15B	660	1
5	X86302-15B	660	1
6	X86305-01LA	828.5	1
6a	X86305-01RA	828.5	1
7	X86305-05LE	264	1
7a	X86305-05RE	264	1
8	X86301-01-10	666	1
9	X86283-01-11	666	3
10	X86255-02L	200	2
11	X86255-01R	200	2
12	X86258-01	200	4
13	X86303-01	300	1

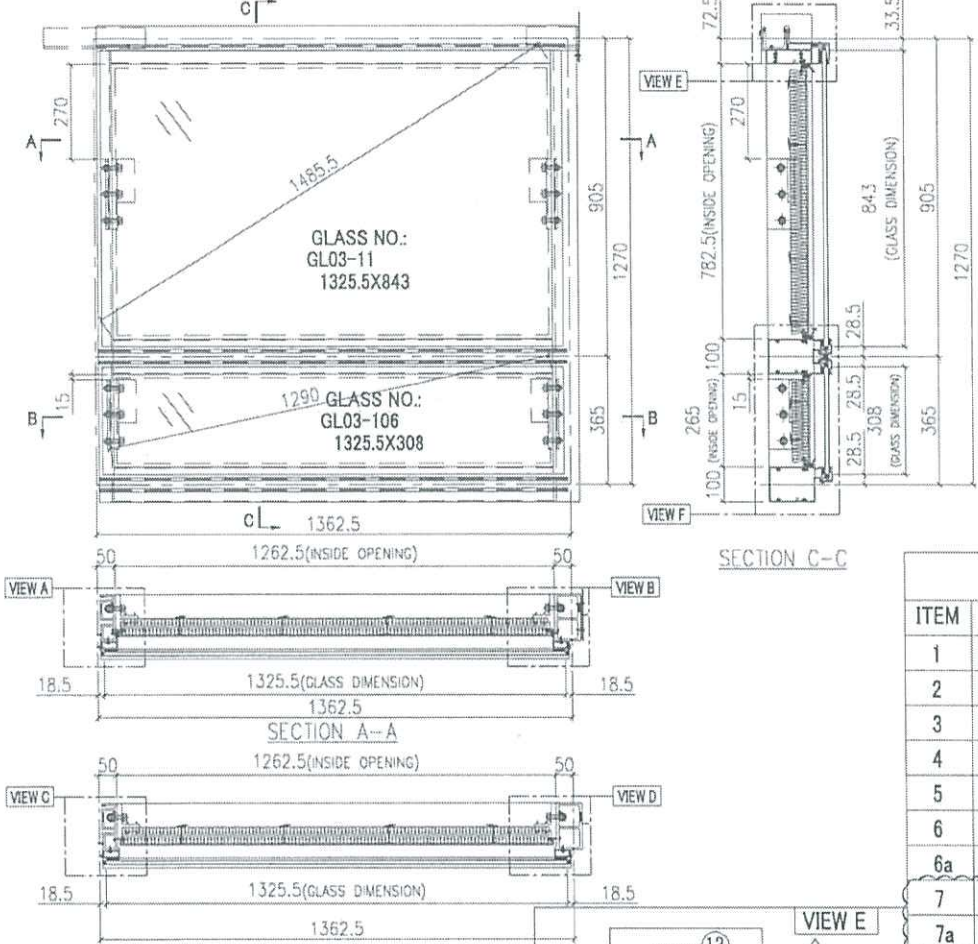
◇ OTHERS (ALUM. & G.M.S. PARTS)			
ITEM	FAB. DWG NO.	LENGTH (mm)	QTY
41	N00813-01A	720.5	1
	30x20X3mm ALUM. ANGLE		
41a	N00813-03	720.5	1
	30x20X3mm ALUM. ANGLE		
42	N00813-01N	579	4
	30x20X3mm ALUM. ANGLE		
43	J858-AP19-06		1
	559 x760.5(BACK PANEL)		
44	J858-AP21-31		1
	565 x243 (BACK PANEL)		
45	J858-AP16	100	1
	1mm THK. ALUM. FLASHING		
46			



美特鋁質有限公司
MIDI Aluminium Fabricator Ltd.

工程號	J858	類別		物料號	-				
地盘	康城11期	制圖	Z. S. P	2022-08-06	圖號	AZd-1362.5H5-P			
修改	1 2	採用工廠	✓	圖紙名稱	单元组装图	復核	-	數量	-
日期	04/11 15/12	材料顏色	-	材料	-	批准	-	單件重量	(KG)

AF-165

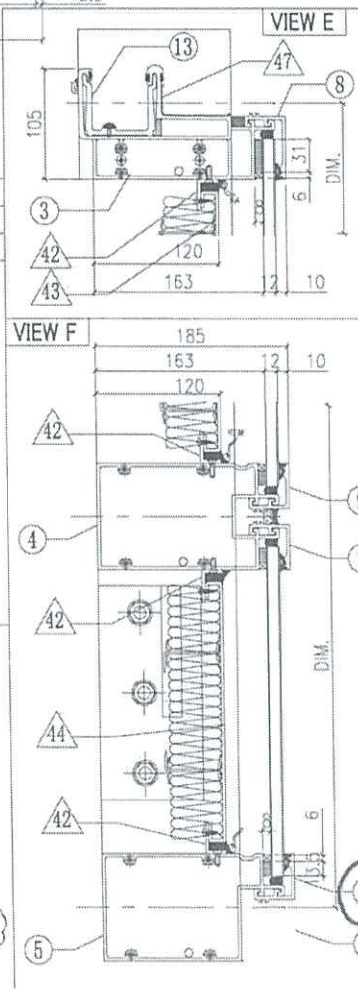
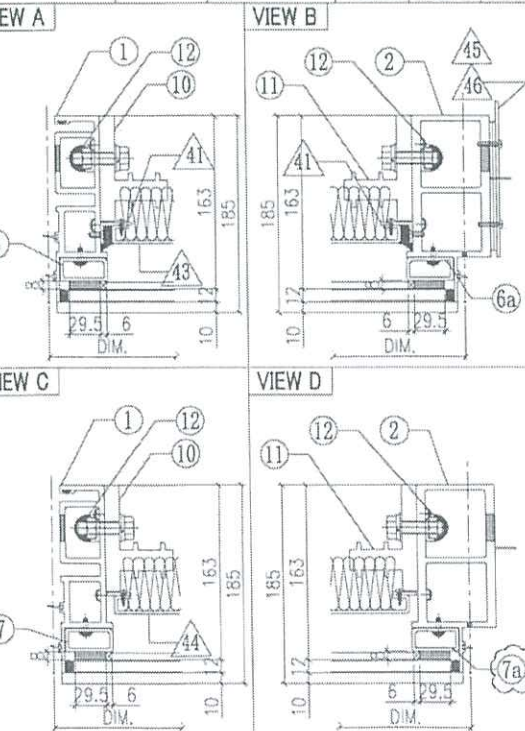


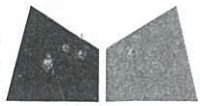
INSTALL UNIT NO.	QTY.	FLOOR
T1A-CW6-1103	1	11/F
T1A-CW6-4003	1	40/F
T1A-CW3-1105	1	11/F
T1A-CW3-4005	1	40/F
T1B-CW1-1103	1	11/F
T1B-CW1-4003	1	40/F
T2B-CW1-1103	1	11/F
T2B-CW1-4003	1	40/F
T3B-CW1-1103	1	11/F
T3B-CW1-4003	1	40/F
T3B-CW5-1103	1	11/F
T3B-CW5-4003	1	40/F
TOTAL	12	

GLASS	GLASS NUMBER	WIDTH	HEIGHT	QTY.
	GL03-11	1325.5	84.3	1
	GL03-106	1325.5	308	1

ITEM	FAB. DWG NO.	LENGTH (mm)	QTY
1	X86273-14	1294.5	1
2	X86278-16R	1294.5	1
3	X86279-14D	1380	1
4	X86308-15A	1341.5	1
5	X86302-15A	1341.5	1
6	X86305-01LA	828.5	1
6a	X86305-01RA	828.5	1
7	X86305-05LE	264	1
7a	X86305-05RE	264	1
8	X86301-01-20	1347.5	1
9	X86283-01-24	1347.5	1
10	X86255-02L	200	2
11	X86255-01R	200	2
12	X86258-01	200	4
13	X86303-01	300	1
14	X86303-02	150	1

ITEM	FAB. DWG NO.	LENGTH (mm)	QTY
41	N00813-01A	720.5	1
41a	30x20x3mm ALUM. ANGLE		1
42	N00813-03	720.5	1
42	30x20x3mm ALUM. ANGLE		4
43	J858-AP19-05		1
44	1240.5x760.5(BACK PANEL)		1
44	J858-AP21-30		1
44	1246.5 x 243 (BACK PANEL)		1
45	J858-AP02		1
45	3mm THK. ALUM. PLATE		1
46	J858-AP03		2
46	3mm THK. ALUM. PLATE		2
47	J858-AP16	100	1
47	1mm THK. ALUM. FLASHING		1





美特鋁質有限公司
MIDI ALUMINIUM FABRICATOR LTD.

編號: MC/42902/858

2024年8月2日

金門建築有限公司
官塘海濱道77號
海濱匯1座22樓

電郵及郵遞

親啟

收件人: Mr. Billy Kan

項目: 日出康城11期地盤
有關2024.07.03 T3 40F BA 起火, 跟進事後檢測事宜

您們好!

有關上述位置起火事宜, 其後2024.08.02於BD Department會議, Aecom façade, Aecom RE, 業主, 金門共同商討跟進事後檢測事宜, 需要本司提供物資給金門。

起火現場該位置拆出鋁料 Capping (3件),
起火現場該位置拆出玻璃(6件)。

廠內送出對應同款同尺寸的鋁料 Capping (3件), 進行起火前後對照。
廠內送出對應同款同尺寸的玻璃(6件), 進行起火前後對照。

因應上述要求, 本司需要更換鋁料 Capping 和玻璃。涉及重新訂料、拆裝和使用吊船, 會產生額外費用, 報價將稍後附上, 特此記錄

如因上述意外問題而影響地盤大期, 非本司責任。

特此通知

此謝

美特鋁質有限公司

譚劍文
執行董事

附件: 共 5 頁

抄送: 金門 - Mr. Billy Kan / Mr. Rick Chung (電郵)
信和 - Mr. Andy Chan / Mr. Kenneth Leung /
Mr. Stephen Chow (電郵)
RLP - Ms. Ginny Chau (電郵)
AECOM - Mr. Ryan Ko / Mr. Dennis Chiu (電郵)

FM / MT / JL / AY / PW / jc



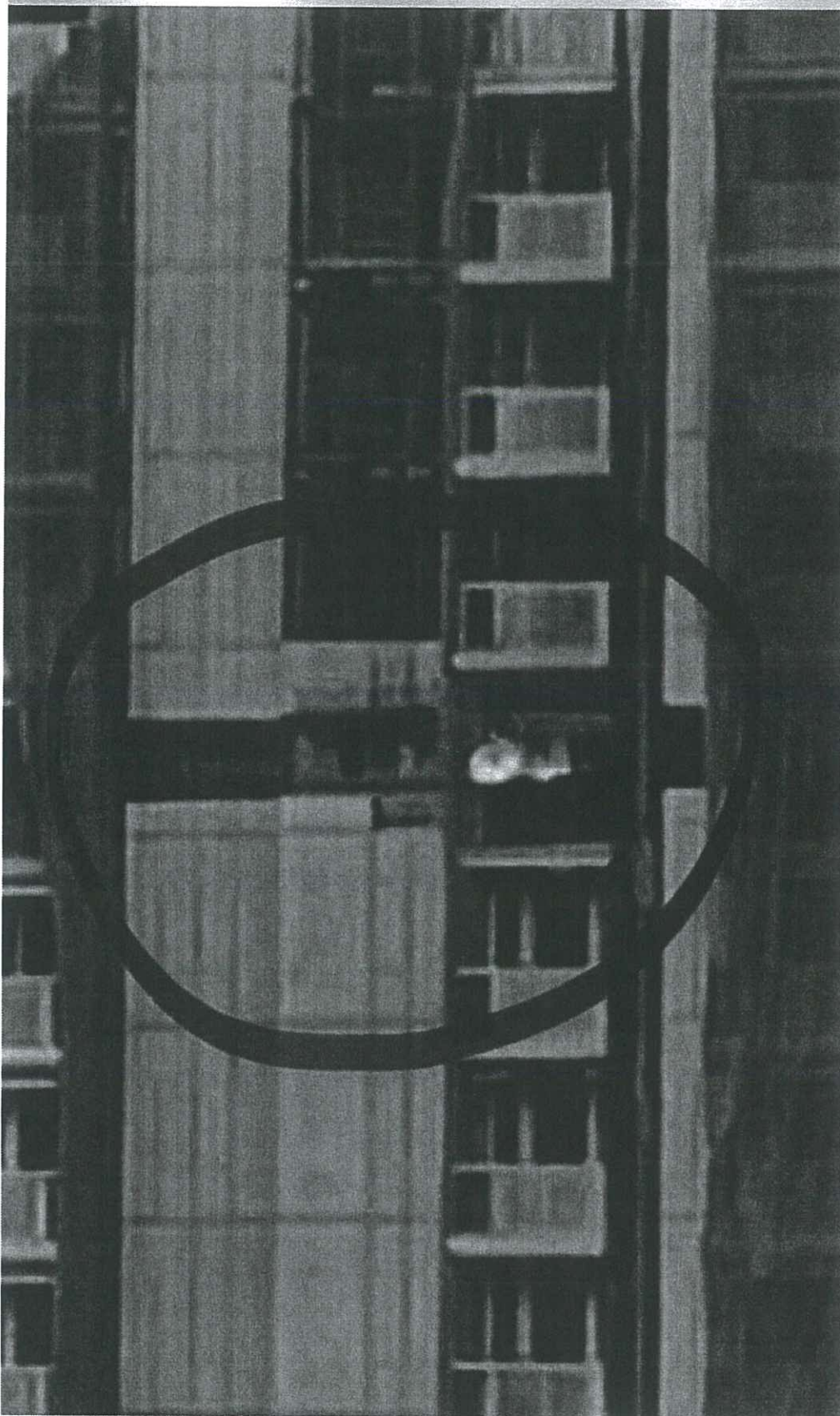
19:38

LTE 63



您
2024/7/3 19:31

所有多媒體

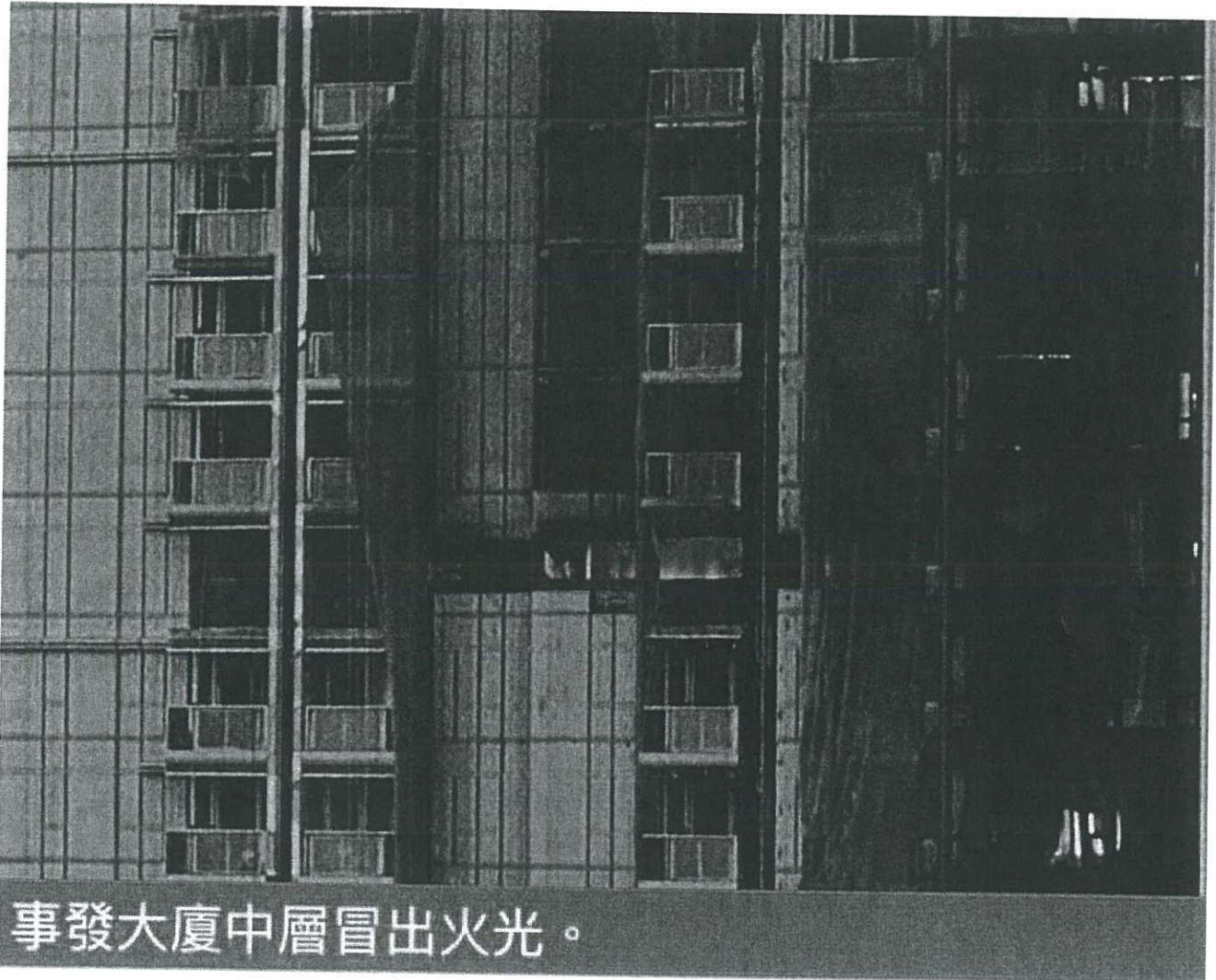


7月3日(三) 19:18

分享

新聞觀看次數: 1.4k

日出康城興建中大廈中層起火 消防開喉救熄



事發大廈中層冒出火光。

將軍澳發生火警。今晚(3日)近7時，日出康城一興建中大廈中層位置冒出火光，驚動附近居民報案。消防接報趕至開喉灌救，迅速將火救熄，意外中無人受傷，起火原因有待調查。

B.D. REF :

CLIENT :

信和置業有限公司
Sino Land Company Limited

ARCHITECT :

ronald lu & partners
Ronald Lu & Partners (HK) Ltd.
呂志祥建築師事務所 (信和) 有限公司

MAIN CONTRACTOR :

Gammon

STRUCTURAL ENGINEER :

AECOM

FAÇADE CONSULTANT :

AECOM

NOTE :

1. ALL DIMENSIONS ARE IN mm.
2. ALL ELEVATIONS ARE VIEWED FROM OUTSIDE.
3. ALL DIMENSIONS TO BE VERIFIED ON SITE BEFORE FABRICATION.

LEGEND :

- (A) DETAIL MARK NO.
- (B) REFER SHEET NO.
- 1. F.F.L. -- FINISHED FLOOR LEVEL.
- 2. S.F.L. -- STRUCTURAL FLOOR LEVEL.
- 3. (R) -- REVERSED DETAIL.

D	17.06.23	ED AMENDMENT	K
C	31.05.27	ED AMENDMENT	K
B	25.04.29	ED AMENDMENT	K
A	30.12.21	ED AMENDMENT	K
-	30.09.20	ED SUBMISSION	K
WB	ONE	ISSUED	BY

JOB NO. : J-858

PROJECT : PROPOSED RESIDENTIAL DEVELOPMENT
AT HOUL PARK, PHASE 1, LEUNG PARK
TSEUNG KWAN O, N.T.

TITLE :

TOWER 3
11/F & 40/F LAYOUT PLAN

DATE : 22-OCT-21

SCALE : 1:1(A1)

DRAWN BY : KY

CHECKED BY : YB

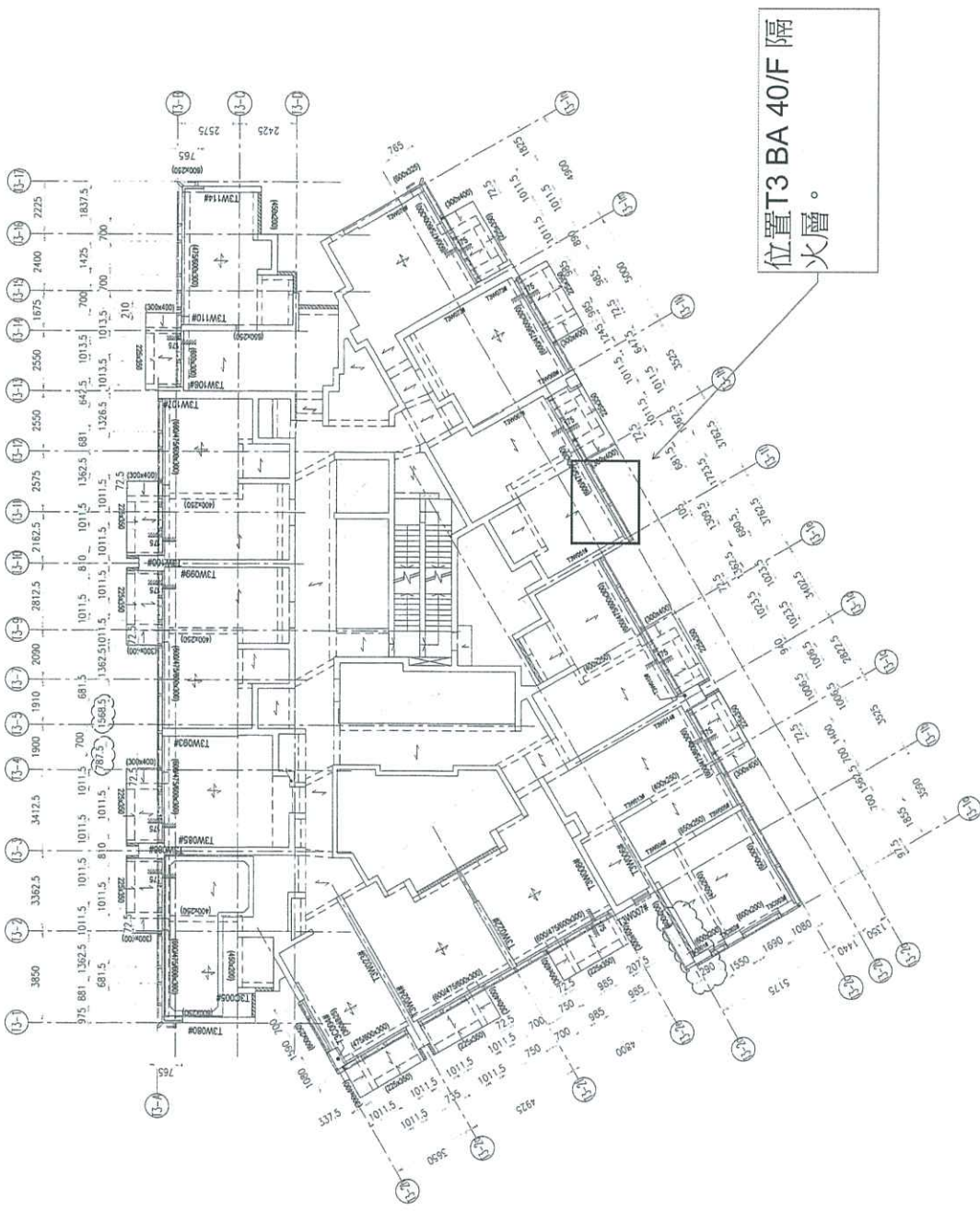
義特銘有限公司
MIDI ARCHITECTURE FABRICATOR LTD.
Units 6-8, Sunny Industrial Centre, 1/F
142 Cheung Yee Long Road, Tseung Kwan O, N.T.
Tel: (852) 27272666

DWG NO. : LP11/0033

REV. : 0

此圖紙之內容及圖則均屬信和置業有限公司之商業秘密，未經該公司之書面許可，不得向任何人士透露或提供。如有洩露，該公司概不負責。此圖紙之內容及圖則均須與該公司之圖則及說明書一併使用，不得單獨使用。如有任何疑問，請與該公司之圖則及說明書一併使用。如有任何疑問，請與該公司之圖則及說明書一併使用。

Plan Approval
Wing Shing
Professional Engineer
for BUILDING AUTHORITY
- 8 AUG 2023



位置T3 BA 40/F 隔火層。

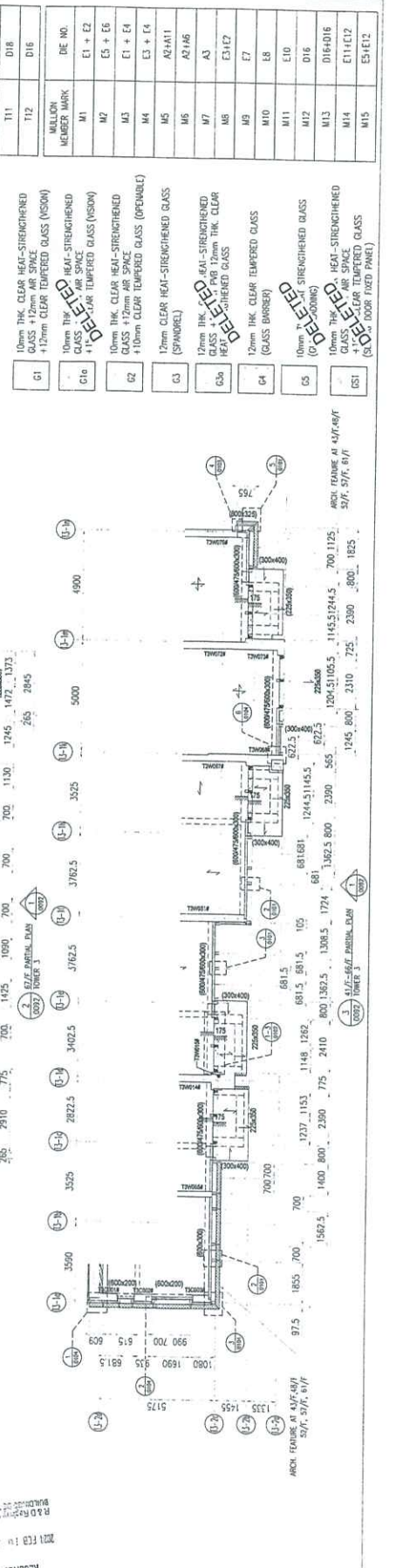
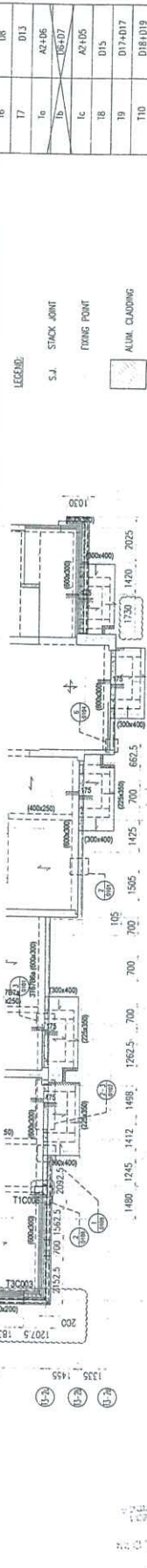
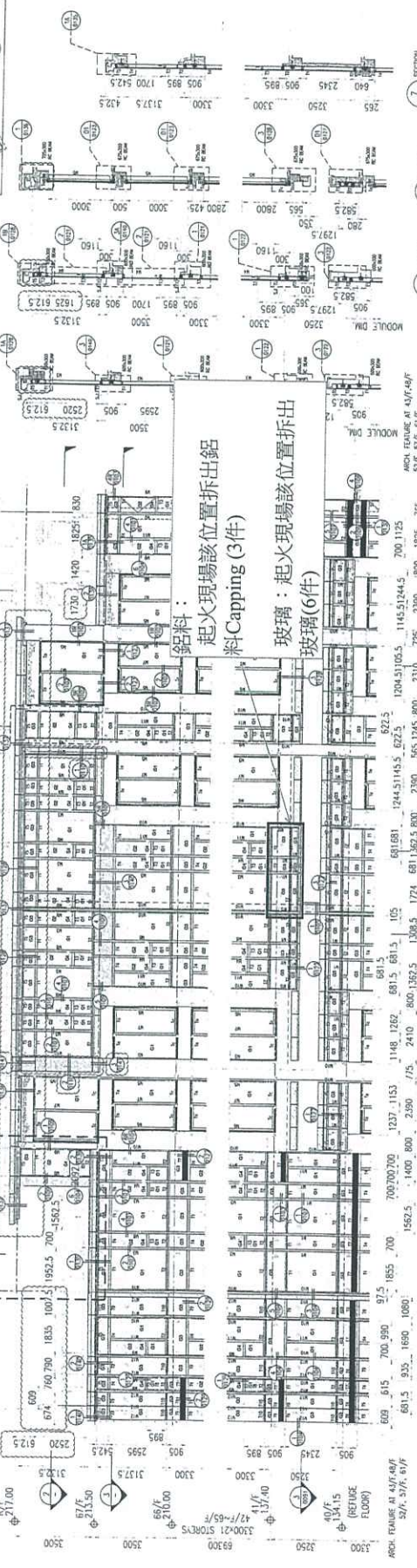
11/F & 40/F LAYOUT PLAN
TOWER 3

AECOM Asia Company Limited

Wing Shing
Professional Engineer
for BUILDING AUTHORITY

B.D. AMENDMENT

B.D. REF:



CLIENT:
Sino Land Company Limited
Sino Land Company Limited

ARCHITECT:
Ronald Liu
Ronald Liu & Partners (HK) Ltd.
Ronald Liu & Partners (香港) 有限公司

STRUCTURAL ENGINEERS:
Gammon
AECOM
AECOM

NOTE:
1. ALL DIMENSIONS ARE IN MM.
2. ALL ELEVATIONS ARE VIEWED FROM OUTSIDE.
3. ALL DIMENSIONS TO BE VERIFIED ON SITE BEFORE FABRICATION.

LEGEND:
① DETAIL MARK NO.
② REFER SHEET NO.
③ F.F.L. --- FINISHED FLOOR LEVEL
④ S.F.L. --- STRUCTURAL FLOOR LEVEL
⑤ --- REVERSED DETAIL

B.D. AMENDMENT

THE WORKS SHOWN ON THESE PLANS ARE TYPE WORKS. SUBSTRUCTURE EXEMPTION WILL AT TOWER 3.3 IN RESPECT OF WHICH CONSENT IS APPLIED FOR THE PURPOSE OF THE BUILDING ACT UNDER REGULATION 13 OF THE BUILDING (CONSTRUCTION) REGULATIONS.

C	10/01/21	RD	REVISION	K
D	17/02/21	RD	REVISION	K
E	09/12/22	RD	REVISION	K
F	26/04/22	RD	REVISION	K
G	28/12/21	RD	REVISION	K
H	30/09/20	RD	REVISION	K
I				
J				
K				
L				
M				
N				
O				
P				
Q				
R				
S				
T				
U				
V				
W				
X				
Y				
Z				

PROJECT:
PROPOSED RESIDUAL DEVELOPMENT
AT MOUL TOPP, PHASE 11, LOKAS PARK
TUNGSHAN KWAN O. N.I.

TITLE:
TOWER 3
GRID T3-1a TO T3-1n
PARTIAL ELEVATION, PLAN
AND SECTION (2/6)

DATE: 22-OCT-21
SCALE: 1:100(A1)

DRAWN BY: KY
CHECKED BY: YB

美特鋁質有限公司
MIDI ALUMINIUM FABRICATOR LTD.
610 Che Yee Ling Road, Kowloon, H.K.
Tel: 2348211-4 Fax: (852) 2727666

DWG NO.: LPT11/0992
REV.: C

TRANSFORM MEMBER MARK	DIE NO.	D4	D1 + D2
T1	11		
T2	12		
T3	13		
T4	14		
T5	15		
T6	16		
T7	17		
T8	18		
T9	19		
T10	20		
T11	21		
T12	22		

MILLION MEMBER MARK	DIE NO.	E1 + E2
M1	1	
M2	2	
M3	3	
M4	4	
M5	5	
M6	6	
M7	7	
M8	8	
M9	9	
M10	10	
M11	11	
M12	12	
M13	13	
M14	14	
M15	15	

Plan Approval
Wong Wing-uh
Structural Engineer
for BUILDING AUTHORITY
- 1 MAR 2021

LEGEND:
S.A STACK JOINT
FINING POINT
ALUM. CLADDING

G1 10mm THK CLEAR HEAT-STRENGTHENED GLASS + 12mm AIR SPACE
12mm CLEAR TEMPERED GLASS (VISION)

G1a 10mm THK CLEAR HEAT-STRENGTHENED GLASS + 12mm AIR SPACE
12mm CLEAR TEMPERED GLASS (VISION)

G2 10mm THK CLEAR HEAT-STRENGTHENED GLASS + 12mm AIR SPACE
10mm CLEAR TEMPERED GLASS (OPENABLE)

G3 12mm CLEAR HEAT-STRENGTHENED GLASS (SPANDREL)

G3a 12mm THK CLEAR HEAT-STRENGTHENED GLASS + 12mm AIR SPACE
12mm THK CLEAR TEMPERED GLASS (VISION)

G4 12mm THK CLEAR TEMPERED GLASS (GLASS BARREL)

G5 10mm THK CLEAR HEAT-STRENGTHENED GLASS (GLASS BARREL)

G5a 10mm THK CLEAR HEAT-STRENGTHENED GLASS + 12mm AIR SPACE
12mm THK CLEAR TEMPERED GLASS (GLASS BARREL)

G5b 10mm THK CLEAR HEAT-STRENGTHENED GLASS + 12mm AIR SPACE
12mm THK CLEAR TEMPERED GLASS (GLASS BARREL)

G5c 10mm THK CLEAR HEAT-STRENGTHENED GLASS + 12mm AIR SPACE
12mm THK CLEAR TEMPERED GLASS (GLASS BARREL)

NOTE:
This section is based on the structural steelwork shown on the drawings. The contractor is responsible for providing the fireproofing system as per the drawings and specifications. The contractor must ensure that the fireproofing system is installed in accordance with the drawings and specifications. The contractor must also ensure that the fireproofing system is tested and certified in accordance with the relevant standards. The contractor must also ensure that the fireproofing system is installed in accordance with the drawings and specifications. The contractor must also ensure that the fireproofing system is tested and certified in accordance with the relevant standards. The contractor must also ensure that the fireproofing system is installed in accordance with the drawings and specifications. The contractor must also ensure that the fireproofing system is tested and certified in accordance with the relevant standards.

NOTE:
This section is based on the structural steelwork shown on the drawings. The contractor is responsible for providing the fireproofing system as per the drawings and specifications. The contractor must ensure that the fireproofing system is installed in accordance with the drawings and specifications. The contractor must also ensure that the fireproofing system is tested and certified in accordance with the relevant standards. The contractor must also ensure that the fireproofing system is installed in accordance with the drawings and specifications. The contractor must also ensure that the fireproofing system is tested and certified in accordance with the relevant standards. The contractor must also ensure that the fireproofing system is installed in accordance with the drawings and specifications. The contractor must also ensure that the fireproofing system is tested and certified in accordance with the relevant standards.

NOTE:
This section is based on the structural steelwork shown on the drawings. The contractor is responsible for providing the fireproofing system as per the drawings and specifications. The contractor must ensure that the fireproofing system is installed in accordance with the drawings and specifications. The contractor must also ensure that the fireproofing system is tested and certified in accordance with the relevant standards. The contractor must also ensure that the fireproofing system is installed in accordance with the drawings and specifications. The contractor must also ensure that the fireproofing system is tested and certified in accordance with the relevant standards. The contractor must also ensure that the fireproofing system is installed in accordance with the drawings and specifications. The contractor must also ensure that the fireproofing system is tested and certified in accordance with the relevant standards.

