

工程指示 / 要求簡箋(E.I.)

工程指示編號：EI / 1136 / 24

修改版次： -

工程編號： J - 858

工程名稱：將軍澳日出康城 11

工程項目：幕牆 T3 AA 鋁板 地盤用 共 40 件 工差鋁板

收件人：生統

發件人：Ant Yeung

日期：09/05/2024

要求提供 / 確認 事項：

- | | | |
|------------------------------------|-------------------------------------|-------------------------------|
| <input type="checkbox"/> 初步鋁料 B.M. | <input type="checkbox"/> 加工拆圖，然後生產 | <input type="checkbox"/> 尺寸表 |
| <input type="checkbox"/> 正式鋁料 B.M. | <input type="checkbox"/> 技術上資料 / 指示 | <input type="checkbox"/> 報價 |
| <input type="checkbox"/> 配件 B.M. | <input type="checkbox"/> 樣辦或貨品說明書 | <input type="checkbox"/> 分判合約 |

內容：

因應 T3 AA 幕牆單元安裝工差較大。 22/F - 38/F (15 層 加 5 層後備)

請按加工圖生產幕牆 T3 AA 工差鋁板 供地盆使用 共 40 件

AO-01A -T3AA-42 =20 件

AO-01B -T3AA-42 =20 件

謝謝

請在 2024.05.23 前完成上列要求。

分發東莞各部門：

- | | | | |
|--|---|--|--|
| <input type="checkbox"/> 生產技術總監 <input type="checkbox"/> 連附件 | <input type="checkbox"/> 技術部 <input type="checkbox"/> 連附件 | <input type="checkbox"/> 生產部 <input type="checkbox"/> 連附件 | <input type="checkbox"/> 機械設計部 <input type="checkbox"/> 連附件 |
| <input type="checkbox"/> 採購部 <input type="checkbox"/> 連附件 | <input checked="" type="checkbox"/> 生產統籌部 <input checked="" type="checkbox"/> 連附件 | <input checked="" type="checkbox"/> 小羅&清 <input checked="" type="checkbox"/> 連附件 | |
| <input type="checkbox"/> 質檢部 <input type="checkbox"/> 連附件 | <input type="checkbox"/> 會計部 <input type="checkbox"/> 連附件 | <input type="checkbox"/> 報關組 <input type="checkbox"/> 連附件 | <input type="checkbox"/> 其他 _____ <input type="checkbox"/> 連附件 |

分發香港各部門：

- | | | | |
|---|--|---|---|
| <input type="checkbox"/> 行政部 <input type="checkbox"/> 連附件 | <input type="checkbox"/> 會計部 <input type="checkbox"/> 連附件 | <input type="checkbox"/> 統籌部 <input type="checkbox"/> 連附件 | <input checked="" type="checkbox"/> 工程部地盤科文 <input checked="" type="checkbox"/> 連附件 <u>積哥</u> |
| <input type="checkbox"/> 採購部 <input type="checkbox"/> 連附件 | <input type="checkbox"/> QS 部 <input type="checkbox"/> 連附件 | <input type="checkbox"/> 維修部 <input type="checkbox"/> 連附件 | <input type="checkbox"/> 其他 _____ <input type="checkbox"/> 連附件 |

傳遞編號：

HK 0822 / 24

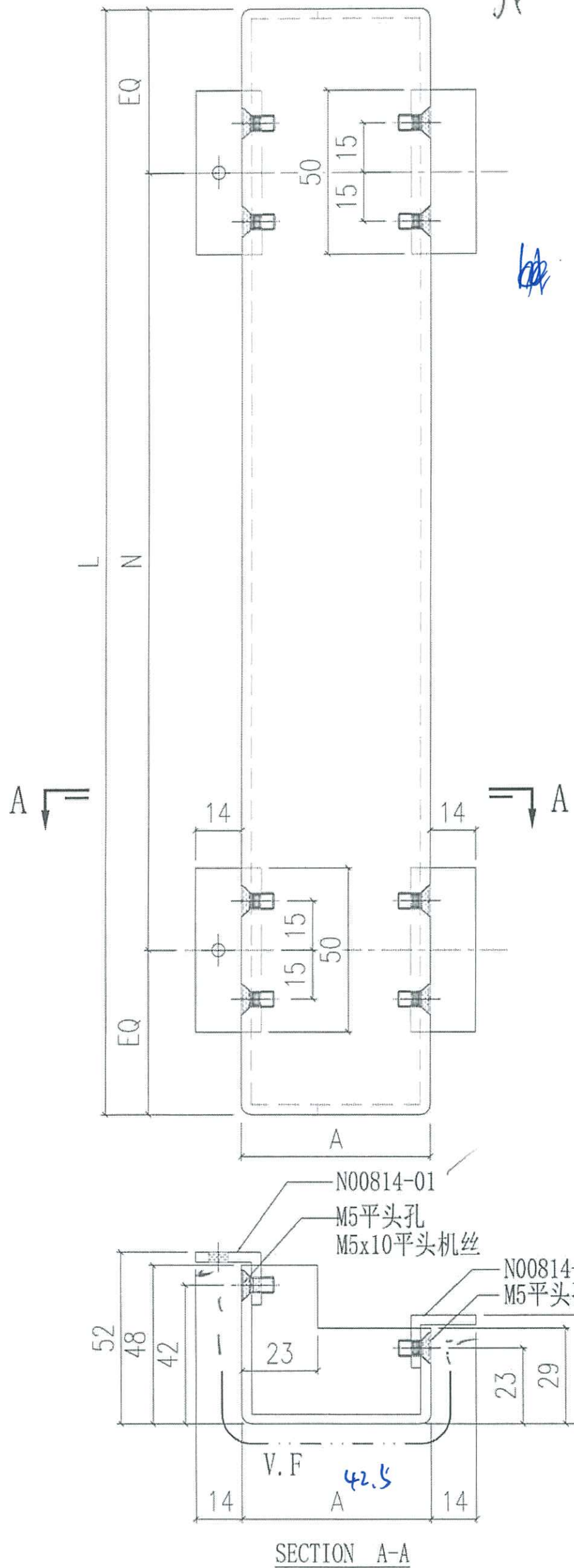
發件人簽署：

項目經理簽署：

 美特鋁質有限公司 MIDI Aluminium Fabricator Ltd.			工程號 J858 地盘 康城11期	類別 制圖 W.E.X 復核 -2024.5.9 批准 -	物料號 - 圖號 AQ-01-T3AA 數量 - 單件重量 - (KG)
修改 - 日期 -	採用工廠 材料顏色 PVF2 (香檳金)	地盤 ✓ 材料 3.0mm 铝板 ✓	圖紙名稱 铝折件		

表面處理: PVF2 (香檳金ECD3X10099S-JF2)

22/F - 38/F 用

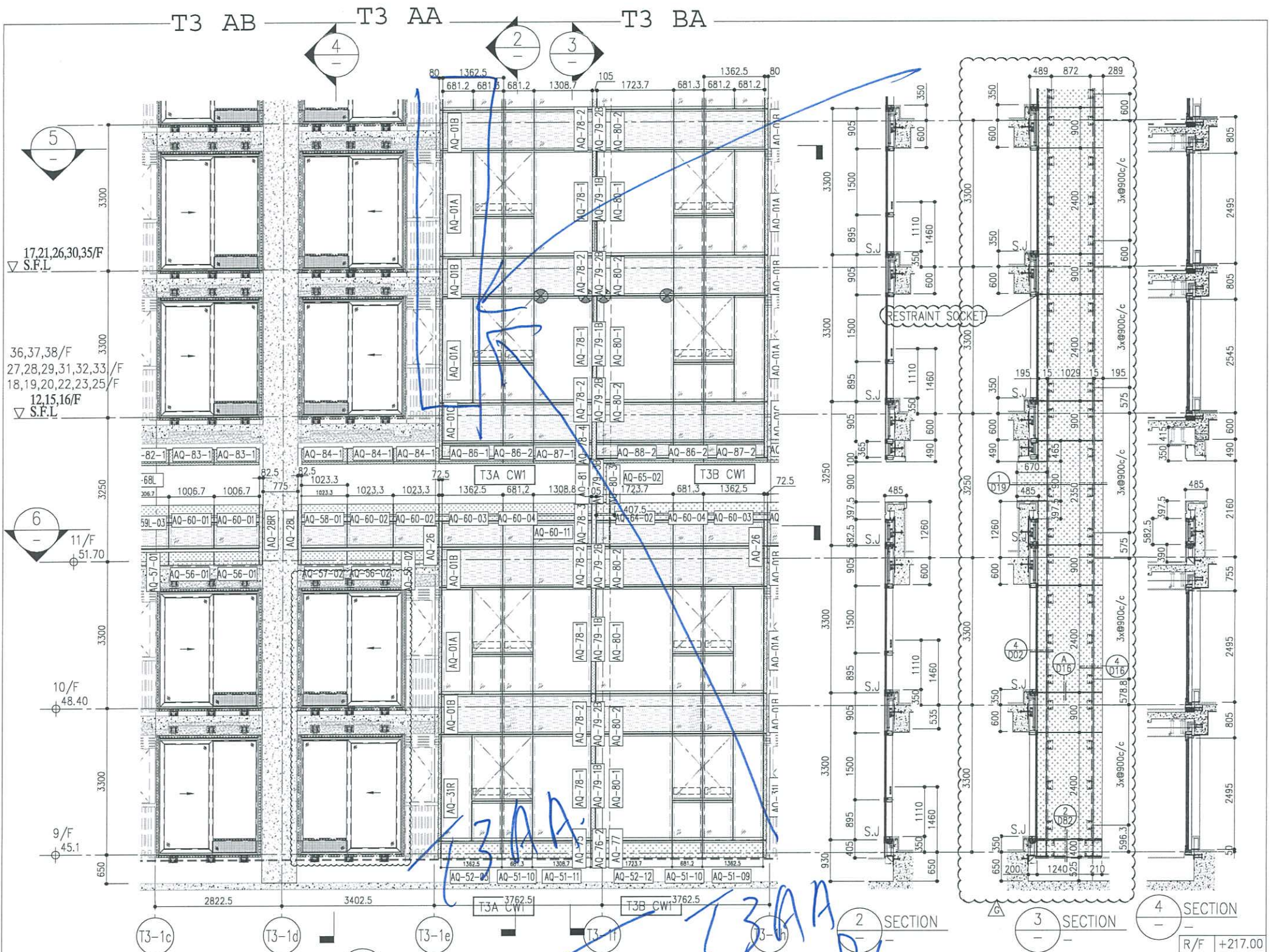


T3AA.

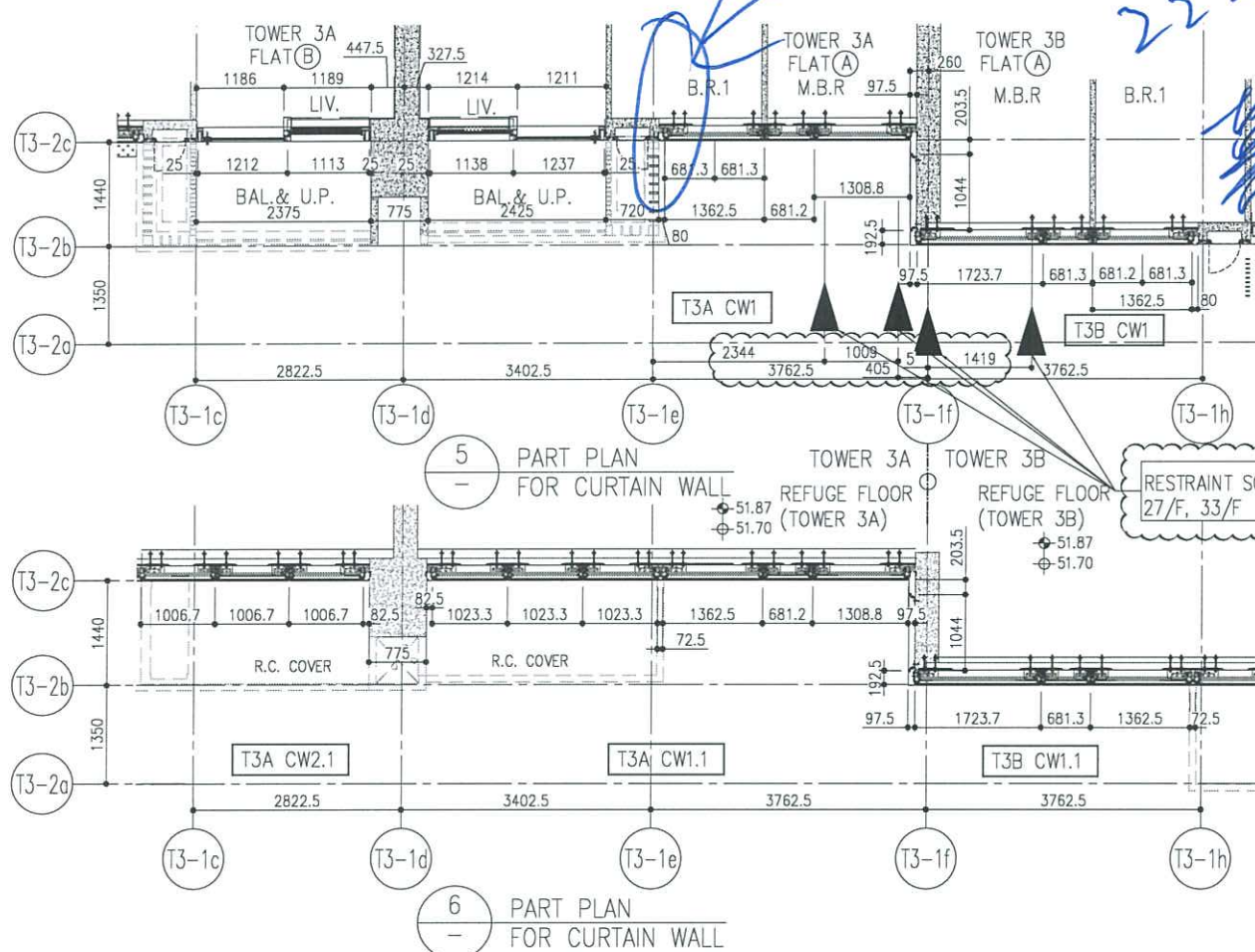
编号	L	A	N	合计数量
AQ-01A -	2385	57.5	@285c/cx8	1597
T3AA-42		42.5		20
AQ-01B -	885	57.5	@260c/cx3	1658
T3AA-42		42.5		20
AQ-01C	1250	57.5	@285c/cx4	56
AQ-01E	2335	57.5	@280c/cx8	2

57.5 - 15 = 42.5

T3 AA	外看左
1	22/F
2	23/F
3	25/F
4	26/F
5	27/F
6	28/F
7	29/F
8	30/F
9	31/F
10	32/F
11	33/F
12	35/F
13	36/F
14	37/F
15	38/F
16	後備
17	後備
18	後備
19	後備
20	後備



1 PART ELEVATION FOR CURTAIN WALL



5 PART PLAN FOR CURTAIN WALL

6 PART PLAN FOR CURTAIN WALL

R/F	+217.00	67/F	+213.50
26/F	+91.25	39/F	+130.85
25/F	+87.95	38/F	+127.55
23/F	+84.65	37/F	+124.25
22/F	+81.35	36/F	+120.95
21/F	+78.05	35/F	+117.65
20/F	+74.75	34/F	+114.35
19/F	+71.45	32/F	+111.05
18/F	+68.15	31/F	+107.75
17/F	+64.85	30/F	+104.45
16/F	+61.55	29/F	+101.15
15/F	+58.25	28/F	+97.85
12	+54.95	27/F	+94.55
		40/F	+134.15
		53/F	+173.70

- LEGEND:
- (1) 10mm THK. HEAT STRENGTHENED GLASS (OUTSIDE) + 12mm AIR SPACE + 12mm THK. TEMPERED GLASS
 - (2) 10mm THK. HEAT STRENGTHENED GLASS (OUTSIDE) + 12mm AIR SPACE + 10mm THK. TEMPERED GLASS
 - (3) 12mm THK. HEAT STRENGTHENED GLASS
 - (4) 12mm THK. CLEAR TEMPERED GLASS (INTERNAL PROTECTIVE BARRIER)
 - (5) 10mm THK. HEAT STRENGTHENED GLASS (OUTSIDE) + 12mm AIR SPACE + 12mm THK. TEMPERED GLASS WITH REFLECTIVE COATING
 - (6) 10mm THK. CLEAR TEMPERED GLASS
 - (7) 8mm THK. CLEAR HEAT-STRENGTHENED GLASS + 1.52mm PVB + 8mm THK. CLEAR HEAT-STRENGTHENED GLASS
 - (8) 3 mm THK. ALUM. CLADDING
 - (9) 3 mm THK. ALUM. BACKPAN
 - S.J. - STACK JOINT
 - (10) - RESTRAINT SOCKET

DWG NO. : JB58-CW-PE302

PE302

PROJECT : DEVELOPMENT OF LOMAS PARK N.T.

DATE : 2

DESIGNER : [Signature]

DATE : 1:50(A1)

SCALE : 1:50(A1)

PROJECT : DEVELOPMENT OF LOMAS PARK N.T.

DATE : 2

DESIGNER : [Signature]

DATE : 1:50(A1)

SCALE : 1:50(A1)

NO.	DATE	REVISION	REVISION AS PER COMMENTS
G	18/08/22	REVISED AS PER COMMENTS	LS
F	26/07/21	REVISED AS PER COMMENTS	LS
E	25/05/22	REVISED AS PER COMMENTS	LS
D	22/04/06	REVISED AS PER COMMENTS	LS
C	22/01/22	REVISED AS PER COMMENTS	LS
B	20/12/21	REVISED AS PER COMMENTS	LS
A	03/12/21	REVISED AS PER COMMENTS	LS

NOTE:

- ALL DIMENSIONS ARE IN mm.
- ALL ELEVATIONS ARE VIEWED FROM OUTSIDE.
- ALL DIMENSIONS TO BE VERIFIED ON SITE BEFORE FABRICATION.

LEGEND:

- (X1) DETAIL MARK NO.
- (X2) REFER SHEET NO.
- (S.F.L.) FINISHED FLOOR LEVEL
- (S.S.L.) STRUCTURAL FLOOR LEVEL
- (R) REVERSED DETAIL

CLIENT : 信和置業有限公司
Sino Land Company Limited

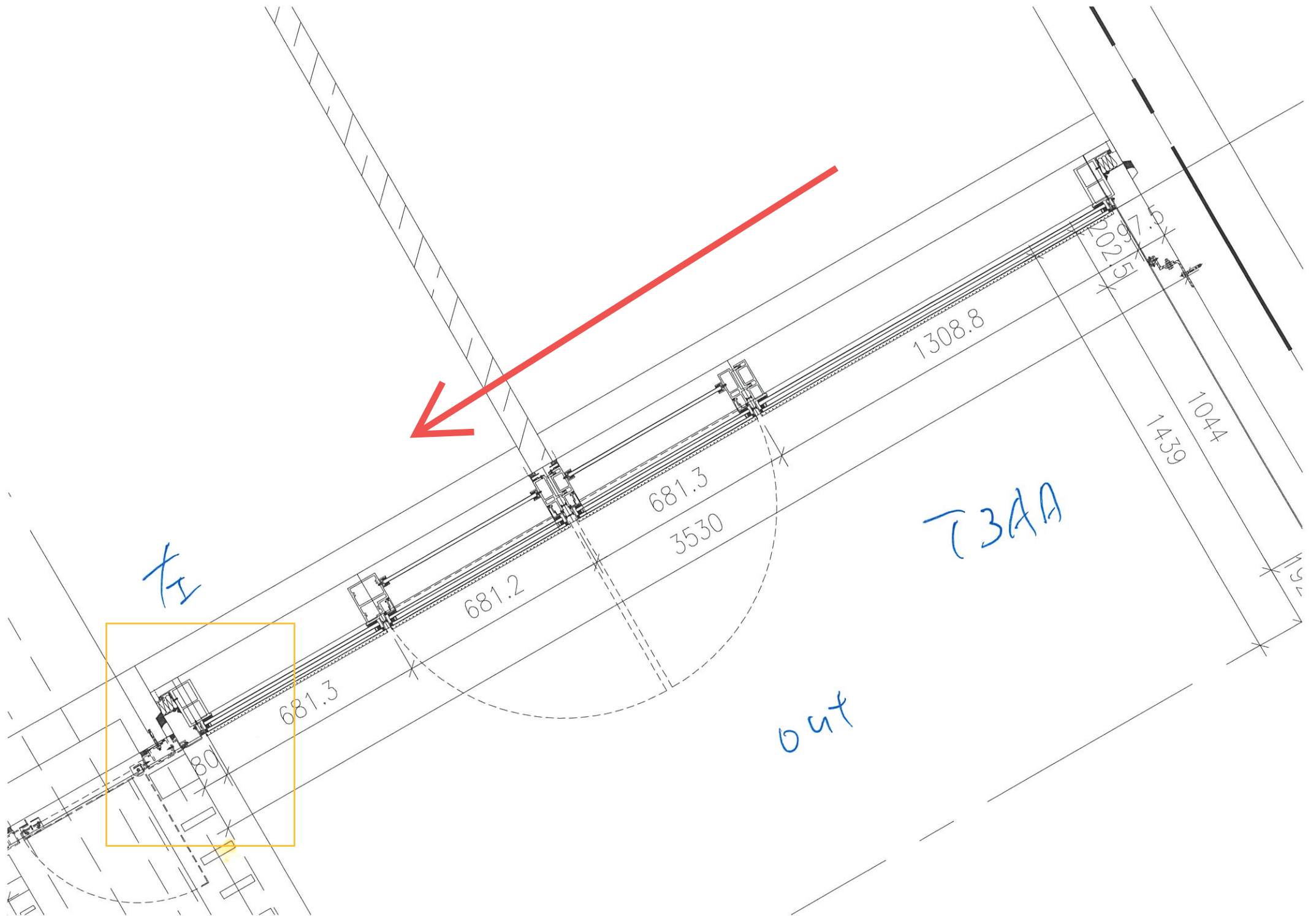
ARCHITECT : Ronald Lu & Partners
Ronald Lu & Partners (HK) Ltd.
呂元祥建築師事務所 (香港) 有限公司

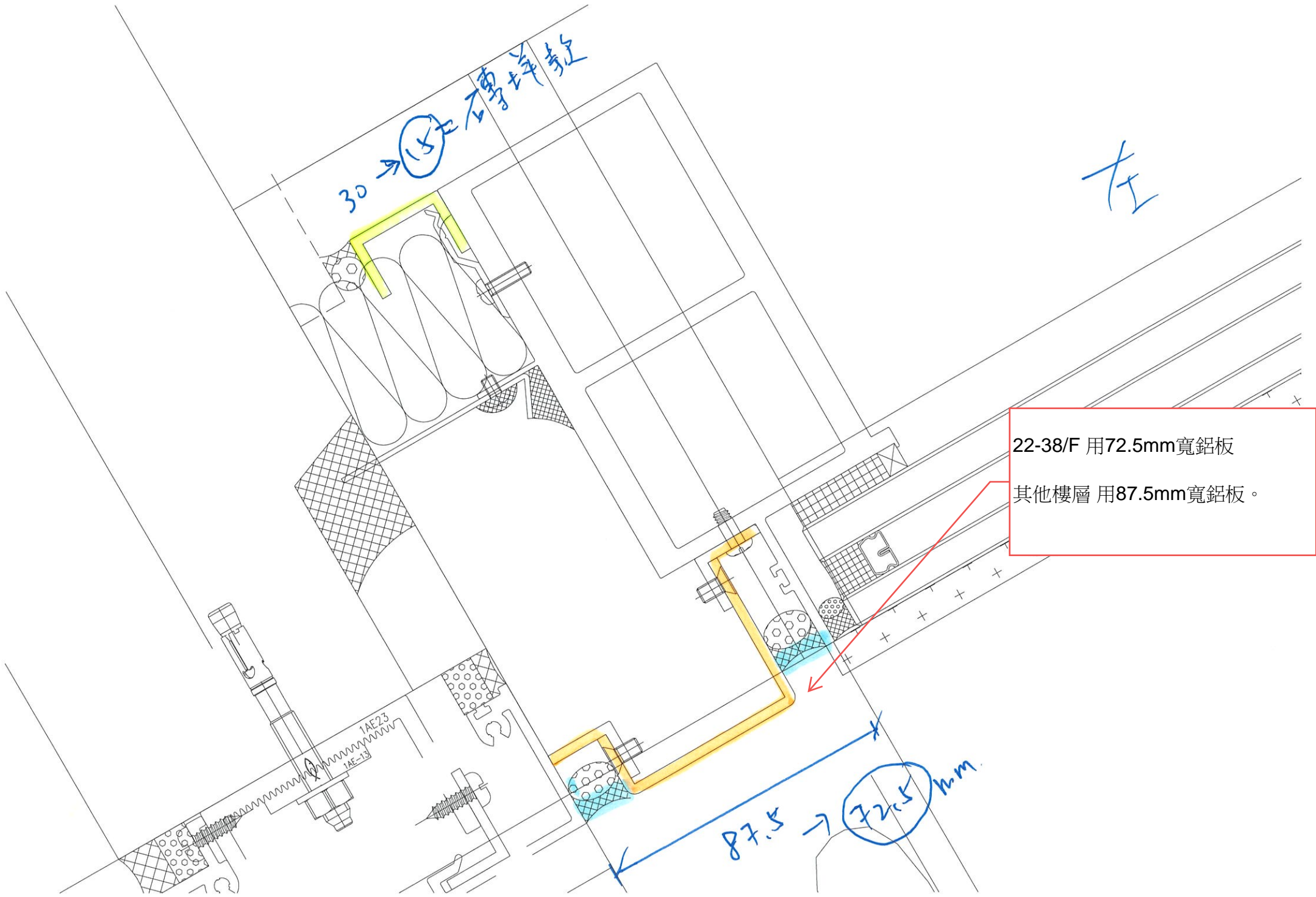
MAIN CONTRACTOR : [Blank]

STRUCTURAL ENGINEER : Gammon

FAÇADE CONSULTANT : AECOM

B.O. REF. :





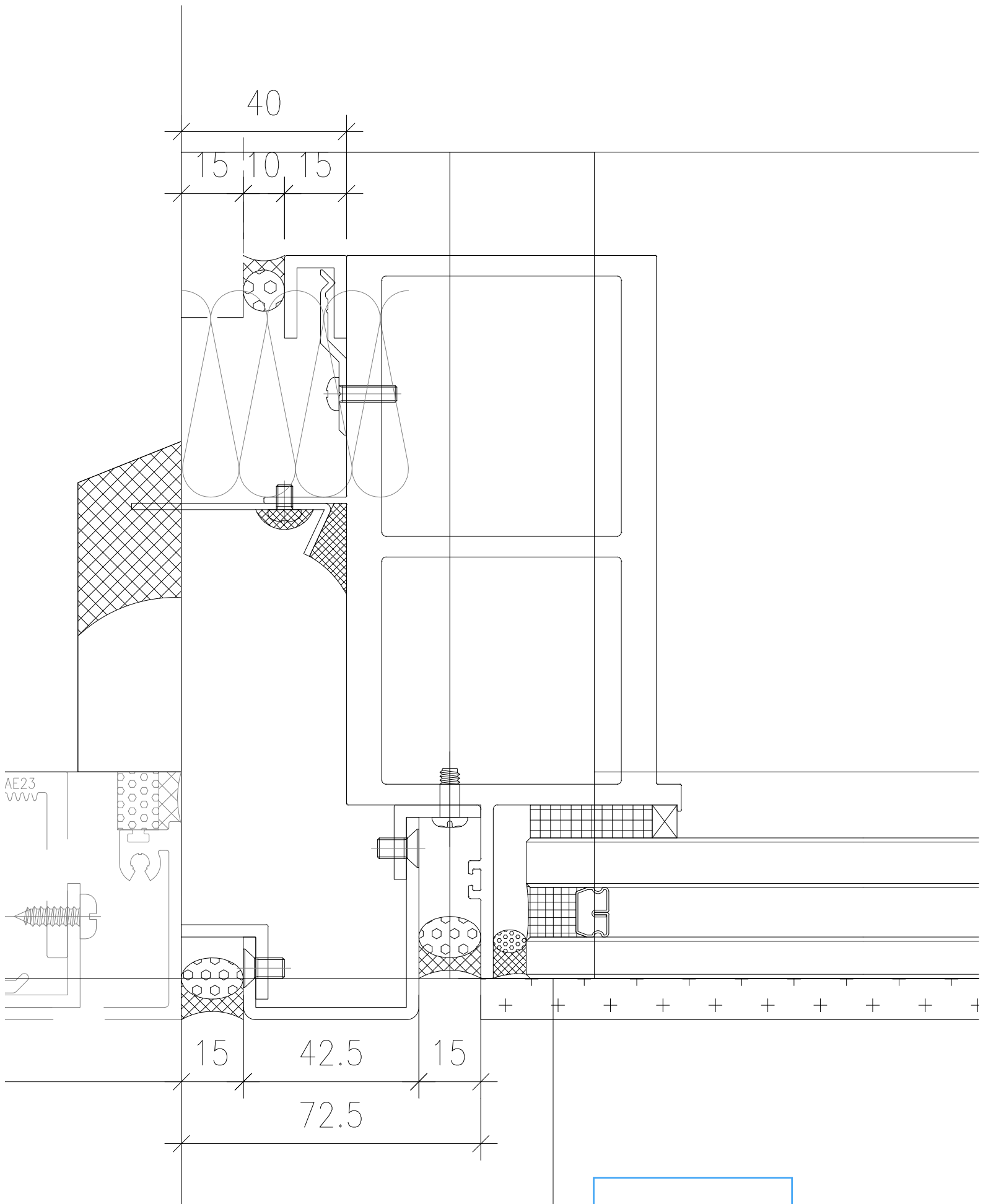
22-38/F 用72.5mm寬鋁板
其他樓層 用87.5mm寬鋁板。

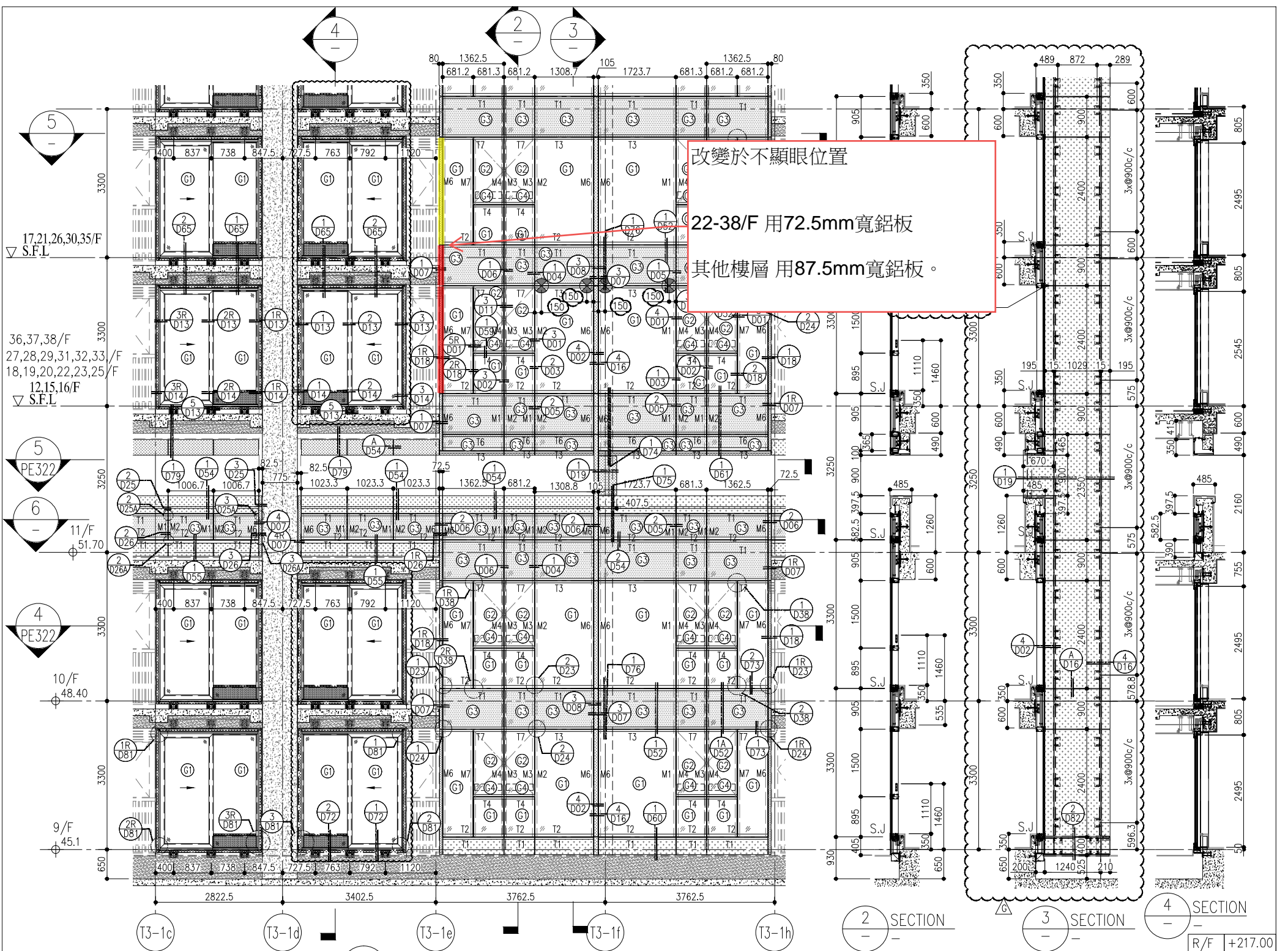
左

30 → (30)

87.5 → (72.5 mm)

1AE23
1AE-13





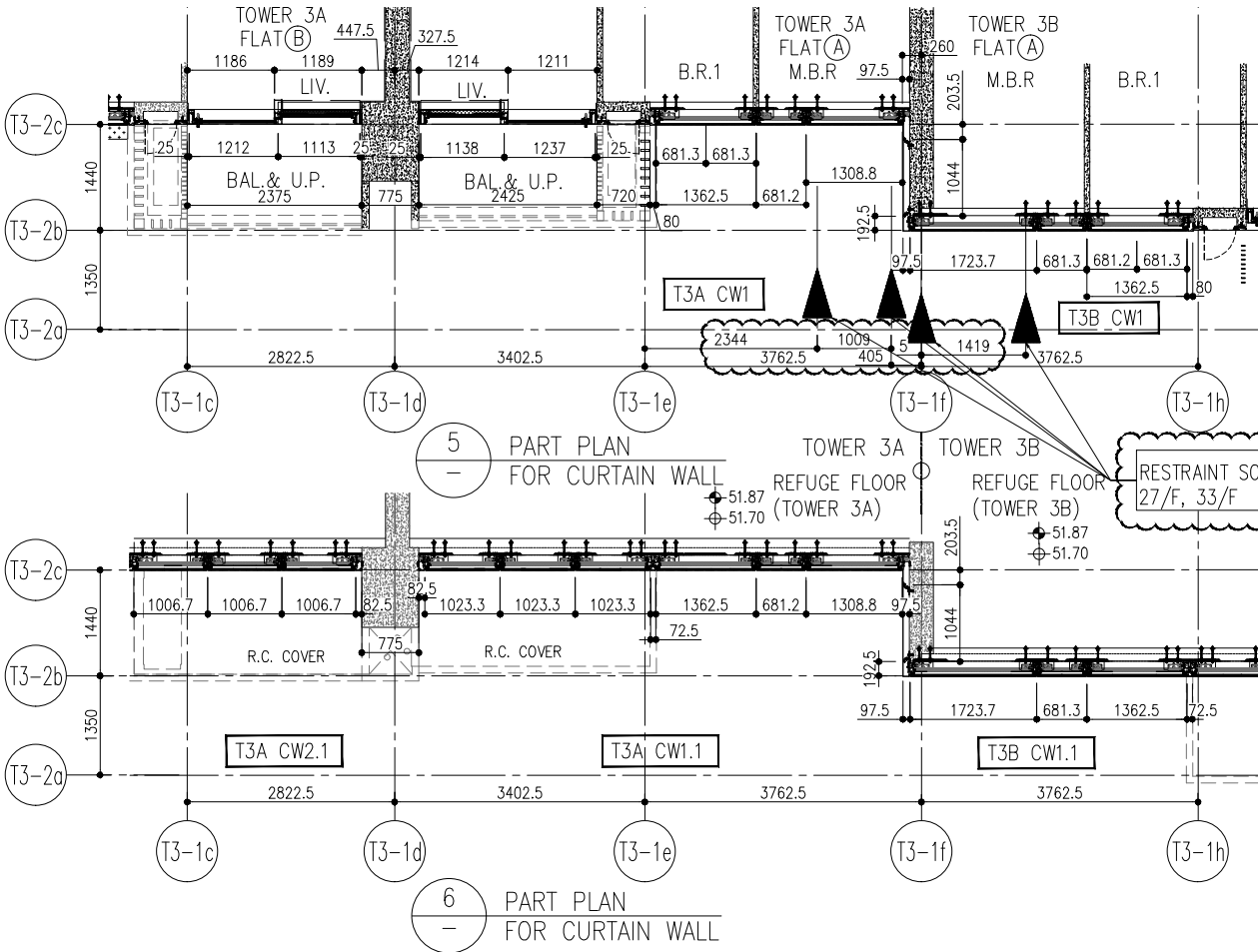
1 PART ELEVATION FOR CURTAIN WALL

2 SECTION

3 SECTION

4 SECTION

R/F	+217.00	67/F	+213.50
26/F	+91.25	39/F	+130.85
25/F	+87.95	38/F	+127.55
23/F	+84.65	37/F	+124.25
22/F	+81.35	36/F	+120.95
21/F	+78.05	35/F	+117.65
20/F	+74.75	33/F	+114.35
19/F	+71.45	32/F	+111.05
18/F	+68.15	31/F	+107.75
17/F	+64.85	30/F	+104.45
16/F	+61.55	29/F	+101.15
15/F	+58.25	28/F	+97.85
12/F	+54.95	27/F	+94.55
		40/F	+134.15
		53/F	+173.70
		52/F	+170.40
		51/F	+167.10
		50/F	+163.80
		49/F	+160.50
		62/F	+200.10
		61/F	+196.80
		60/F	+193.50
		59/F	+190.20
		58/F	+186.90
		57/F	+183.60
		56/F	+180.30
		55/F	+177.00



5 PART PLAN FOR CURTAIN WALL

6 PART PLAN FOR CURTAIN WALL

- LEGEND:
- (G1) 10mm THK. HEAT STRENGTHENED GLASS (OUTSIDE) + 12mm AIR SPACE + 12mm THK. TEMPERED GLASS
 - (G2) 10mm THK. HEAT STRENGTHENED GLASS (OUTSIDE) + 12mm AIR SPACE + 10mm THK. TEMPERED GLASS
 - (G3) 12mm THK. HEAT STRENGTHENED GLASS
 - (G4) 12mm THK. CLEAR TEMPERED GLASS (INTERNAL PROTECTIVE BARRIER)
 - (G5) 10mm THK. HEAT STRENGTHENED GLASS (OUTSIDE) + 12mm AIR SPACE + 12mm THK. TEMPERED GLASS WITH REFLECTIVE COATING
 - (G6) 10mm THK. CLEAR TEMPERED GLASS
 - (G7) 8mm THK. CLEAR HEAT-STRENGTHENED GLASS + 5.2mm PVB + 8mm THK. CLEAR HEAT-STRENGTHENED GLASS
 - (G8) 3 mm THK. ALUM. CLADDING
 - (G9) 3 mm THK. ALUM. BACKPAN
 - S.J. - STACK JOINT
 - (RS) - RESTRAINT SOCKET

美特鋁質有限公司 MIDT ALUMINIUM FABRICATOR LTD. Units 6-8, Sunnyway Industrial Centre 1/F 610 Cha Kwo Ling Road, Kowloon Tel: 23489211-4 Fax: (852) 27277666 DWG NO.: J858-CW-PE302 REV: G	PROJECT: PROPOSED RESIDENTIAL DEVELOPMENT AT TKOIL 709P PHASE 11, LOHAS PARK TSEUNG KWAN O, N.T.	JOB NO.: J-858 DRAWN BY: [Name] CHECKED BY: [Name] DATE: 22-OCT-21 SCALE: 1:50(A1)	TITLE: TYPICAL FLOOR PARTIAL ELEVATION & SECTION, PLAN FOR CURTAIN WALL (TOWER 3)	NO. DATE G 18/08/22 REVISED AS PER COMMENTS US F 26/07/22 REVISED AS PER COMMENTS US E 25/05/22 REVISED AS PER COMMENTS US D 22/04/06 REVISED AS PER COMMENTS US C 22/01/22 REVISED AS PER COMMENTS US B 20/12/21 REVISED AS PER COMMENTS US A 03/12/21 REVISED AS PER COMMENTS US	NOTE: 1. ALL DIMENSIONS ARE IN mm. 2. ALL ELEVATIONS ARE VIEWED FROM OUTSIDE. 3. ALL DIMENSIONS TO BE VERIFIED ON SITE BEFORE FABRICATION. LEGEND: (X) - DETAIL MARK NO. (X00) - REFER SHEET NO.	FACADE CONSULTANT: AECOM STRUCTURAL ENGINEER: Gammorn	ARCHITECT: ronald lu & partners Ronald Lu & Partners (HK) Ltd. 呂元祥建築師事務所 (香港) 有限公司 MAIN CONTRACTOR:	CLIENT: 信和置業有限公司 Sino Land Company Limited	B.D. REF:

斜膠

