



工程指示 / 要求簡箋(E.I.)

工程指示編號：EI / 1565 / 24 (原 EI 6767) 修改版次：-

工程編號：J - 858

工程名稱：將軍澳日出康城

工程項目：幕牆 T1-T3 特色層 收口鋁板 地盆用鐵件 (新增 MS-120 至 MS-125)

收件人：Maggie

發件人：Paul Wong

日期：02/04/2024

要求提供 / 確認 事項：

- |                                    |                                     |                               |
|------------------------------------|-------------------------------------|-------------------------------|
| <input type="checkbox"/> 初步鋁料 B.M. | <input type="checkbox"/> 加工拆圖，然後生產  | <input type="checkbox"/> 尺寸表  |
| <input type="checkbox"/> 正式鋁料 B.M. | <input type="checkbox"/> 技術上資料 / 指示 | <input type="checkbox"/> 報價   |
| <input type="checkbox"/> 配件 B.M.   | <input type="checkbox"/> 樣辦或貨品說明書   | <input type="checkbox"/> 分判合約 |

內容：

(原 EI 6767)

因先前圖紙未定，未有拆圖，現加訂。位置：SU 幕牆與幕牆之間的企身收口。

請按新增加工圖生產，(新增 MS-120 至 MS-125)。

並附上 BM 單，拆圖圖則表，加工圖，位置圖。

1. 請按加工圖生產鐵件送地盆安裝。
2. MS-122 和 MS-123 需要 驗焊 (100% visual, 10% MPI) For Curtain Wall
3. 出貨前，請給 Mill Cert 和熱浸 Cert
4. 按位置圖分座包裝
5. 沿水厚度附合 EI5136 指示 100um。
6. T1 62/F / T2 67/F / T3 67/F

請在 2024. 04.08 前完成上列要求。

分發東莞各部門：

- |                                 |                              |                                |                              |                               |                              |                                |                              |
|---------------------------------|------------------------------|--------------------------------|------------------------------|-------------------------------|------------------------------|--------------------------------|------------------------------|
| <input type="checkbox"/> 生產技術總監 | <input type="checkbox"/> 連附件 | <input type="checkbox"/> 技術部   | <input type="checkbox"/> 連附件 | <input type="checkbox"/> 生產部  | <input type="checkbox"/> 連附件 | <input type="checkbox"/> 機械設計部 | <input type="checkbox"/> 連附件 |
| <input type="checkbox"/> 採購部    | <input type="checkbox"/> 連附件 | <input type="checkbox"/> 生產統籌部 | <input type="checkbox"/> 連附件 | <input type="checkbox"/> 小羅&清 | <input type="checkbox"/> 連附件 |                                |                              |
| <input type="checkbox"/> 質檢部    | <input type="checkbox"/> 連附件 | <input type="checkbox"/> 會計部   | <input type="checkbox"/> 連附件 | <input type="checkbox"/> 報關組  | <input type="checkbox"/> 連附件 | <input type="checkbox"/> 其他    | <input type="checkbox"/> 連附件 |

分發其他分判：

連附件

分發香港各部門：

- |   |   |                               |                              |                              |                              |   |           |   |
|---|---|-------------------------------|------------------------------|------------------------------|------------------------------|---|-----------|---|
| <input type="checkbox"/> 行政部            | <input type="checkbox"/> 連附件            | <input type="checkbox"/> 會計部  | <input type="checkbox"/> 連附件 | <input type="checkbox"/> 統籌部 | <input type="checkbox"/> 連附件 | <input checked="" type="checkbox"/> 工程部地盤科文 | <u>積哥</u> | <input checked="" type="checkbox"/> 連附件 |
| <input checked="" type="checkbox"/> 採購部 | <input checked="" type="checkbox"/> 連附件 | <input type="checkbox"/> QS 部 | <input type="checkbox"/> 連附件 | <input type="checkbox"/> 維修部 | <input type="checkbox"/> 連附件 | <input type="checkbox"/> 其他                 | _____     | <input type="checkbox"/> 連附件            |

傳遞編號：

HK / 24

發件人簽署：

項目經理簽署：



美特鋁質有限公司  
MIDI Aluminum Fabricator Ltd.

工程號:	J-858	計算:	J.L.	日期:	30/3/2024	送呈:	Jason 哥	
地盤名稱:	康城11期	核對:		日期:		副本:		
項目類別:	室外收口铝板位置	批准:		日期:				
BM編號:	類別: 特色屋室外收口铝板位置鉄料 (EI-4412F新增)						總重量 (kg):	285.84

序號	修改標示	配件圖號	物料編號	配件名稱	顏色	實用	後備	總數	單位	Kg		備注
										單件重量	總重量	
1		MS-120	MS-120	50x50x6mm 鉄角 (S-275)	热浸锌	36	0	36	件	0.90	32.400	
2		MS-121	MS-121	50x50x6mm 鉄角 (S-275)	热浸锌	9	0	9	件	16.16	145.440	
3		MS-122	MS-122	100x50x6mm 鉄角 (S-275)	热浸锌	12	0	12	件	1.37	16.440	
4		MS-123	MS-123	50x50x6mm 鉄角 (S-275)	热浸锌	12	0	12	件	0.67	8.040	
5		MS-124	MS-124	50x50x6mm 鉄角 (S-275)	热浸锌	3	0	3	件	13.92	41.760	
6		MS-125	MS-125	50x50x6mm 鉄角 (S-275)	热浸锌	3	0	3	件	13.92	41.760	

75

圖則登記表  
DRAWING REGISTER

工程名稱 Project Title:	<b>康城11期</b>
	单元幕墙特色层收口铝板 (室外) 铁件
工程編號 Project No:	<b>J858</b>

分發予 Distributed To


圖則編號 Drg. No.	圖則名稱 Drawing Title
J858-CW-PE117	室外收口铝板铁件位置图T1
J858-CW-PE118	室外收口铝板铁件位置图T1
J858-CW-PE119	室外收口铝板铁件位置图T1
J858-CW-PE120	室外收口铝板铁件位置图T1
J858-CW-PE217	室外收口铝板铁件位置图T2
J858-CW-PE218	室外收口铝板铁件位置图T2
J858-CW-PE219	室外收口铝板铁件位置图T2
J858-CW-PE220	室外收口铝板铁件位置图T2
J858-CW-PE317	室外收口铝板铁件位置图T3
J858-CW-PE318	室外收口铝板铁件位置图T3
J858-CW-PE319	室外收口铝板铁件位置图T3
J858-CW-PE320	室外收口铝板铁件位置图T3
J858-CW-RP101	室外收口铝板铁件位置图T1
J858-CW-RP201	室外收口铝板铁件位置图T2
J858-CW-RP301	室外收口铝板铁件位置图T3
MS-100	铁件加工图
MS-101	铁件加工图
MS-102	铁件加工图
MS-103	铁件加工图
MS-104	铁件加工图
MS-105	铁件加工图
MS-106	铁件加工图
MS-107	铁件加工图
MS-108	铁件加工图
MS-109	铁件加工图
MS-110	铁件加工图
MS-111	铁件加工图
MS-112	铁件加工图
MS-113	铁件加工图
MS-114	铁件加工图
MS-115	铁件加工图
MS-116	铁件加工图

接收日期 Receiving Date (適用於客戶圖則)


發出日期 Issued Date

23	24						
09	03						
04	30						

修訂編號  
Revision No.

1	-	A					
2	-	A					
3	-						
4	-	A					
6	-	A					
7	-	A					
8	-						
9	-	A					
11	-	A					
12	-	A					
13	-						
14	-	A					
16	-						
17	-						
18	-						
19	-						
20	-						
21	-						
22	-						
23	-						
24	-						
25	-						
26	-						
27	-						
28	-						
29	-						
30	-						
31	-						
32	-						
33	-						
34	-						
35	-						

圖則登記表  
DRAWING REGISTER

工程名稱 Project Title:	康城11期
	单元幕墙特色层收口铝板 (室外) 铁件
工程編號 Project No:	J858

分發予 Distributed To


圖則編號 Drg. No.	圖則名稱 Drawing Title
MS-117	铁件加工图
MS-118	铁件加工图
MS-119	铁件加工图
MS-120	铁件加工图
MS-121	铁件加工图
MS-122	铁件加工图
MS-123	铁件加工图
MS-124	铁件加工图
MS-125	铁件加工图

接收日期 Receiving Date (適用於客戶圖則)


發出日期 Issued Date

23	24						
09	03						
04	30						

修訂編號  
Revision No.

36	-						
37	-						
38	-						
39	-						
40	-						
41	-						
42	-						
43	-						
44	-						

J858康城11期特色层收口铝板铁件总数量统计表(T1, 2, 3)

工程: J858康城11期

日期: 30-Aug-23

序号	铝板编号				总数量	备注
		T1	T2	T3		
<del>1</del>	<del>MS-100</del>	<del>3</del>	<del>3</del>	<del>3</del>	<del>9</del>	
2	MS-101A	1	1	1	3	
3	MS-102	16	16	16	48	
4	MS-103A	2	2	2	6	
5	MS-103B	2	2	2	6	
6	MS-104	4	4	4	12	
7	MS-105A	1	1	1	3	
8	MS-106	188	176	175	539	
9	MS-107A	2	2	2	6	
10	MS-108A	3	3	3	9	
11	MS-108B	1	1	1	3	
12	MS-108C	1	0	0	1	
13	MS-108D	0	1	0	1	
14	MS-108E	0	0	1	1	
15	MS-109	4	4	4	12	
16	MS-110A	1	1	1	3	
17	MS-111A	28	25	24	77	
18	MS-111B	3	3	3	9	
19	MS-111C	1	1	1	3	
20	MS-111D	2	2	2	6	
21	MS-111E	5	5	5	15	
22	MS-111F	1	0	1	2	
23	MS-111G	4	3	3	10	
24	MS-111H	1	6	3	10	
25	MS-111J	4	5	5	14	
26	MS-111K	0	0	1	1	
27	MS-111L	2	0	1	3	
28	MS-111M	1	0	0	1	
29	MS-111N	1	1	1	3	
30	MS-111P	4	4	6	14	
31	MS-111Q	1	1	2	4	
32	MS-111R	1	0	0	1	
33	MS-111S	1	1	2	4	
34	MS-111T	1	3	1	5	
35	MS-111U	2	1	0	3	
36	MS-111V	1	0	0	1	
37	MS-111W	0	1	1	2	
38	MS-112A	1	1	1	3	
39	MS-113	25	25	25	75	
40	MS-114A	4	4	4	12	
41	MS-114B	2	2	2	6	
42	MS-114C	1	1	1	3	
43	MS-114D	1	1	1	3	
44	MS-115A	1	1	1	3	
45	MS-115B	1	1	1	3	
46	MS-115C	2	2	2	6	
47	MS-115D	1	0	1	2	
48	MS-115E	0	1	0	1	
49	MS-116	4	4	4	12	
50	MS-117A	1	2	1	4	
51	MS-117B	0	0	1	1	
52	MS-117C	1	0	0	1	
53	MS-118A	1	0	0	1	
<del>54</del>	<del>MS-119</del>	<del>3</del>	<del>3</del>	<del>3</del>	<del>9</del>	
55	MS-120	12	12	12	36	EI-4412F新增
56	MS-121	3	3	3	9	EI-4412F新增
57	MS-122	4	4	4	12	EI-4412F新增
58	MS-123	4	4	4	12	EI-4412F新增
59	MS-124	1	1	1	3	EI-4412F新增
60	MS-125	1	1	1	3	EI-4412F新增
	分层数量	367	352	351	1070	

62  
6767 已出

67  
↓

T1

J858康城11期特色层收口铝板铁件数量分

工程: J858康城11期

日期: 30-Aug-23

序号	铝板编号			总数量	备注
		61F	62F		
1	MS-100	3		3	
2	MS-101A	1		1	
3	MS-102	8	8	16	
4	MS-103A	2		2	
5	MS-103B		2	2	
6	MS-104		4	4	
7	MS-105A		1	1	
8	MS-106	37	151	188	
9	MS-107A		2	2	
10	MS-108A		3	3	
11	MS-108B		1	1	
12	MS-108C		1	1	
13	MS-109		4	4	
14	MS-110A		1	1	
15	MS-111A	6	22	28	
16	MS-111B	1	2	3	
17	MS-111C	1		1	
18	MS-111D	1	1	2	
19	MS-111E	3	2	5	
20	MS-111F	1		1	
21	MS-111G	1	3	4	
22	MS-111H		1	1	
23	MS-111J		4	4	
24	MS-111L		2	2	
25	MS-111M		1	1	
26	MS-111N		1	1	
27	MS-111P		4	4	
28	MS-111Q		1	1	
29	MS-111R		1	1	
30	MS-111S		1	1	
31	MS-111T		1	1	
32	MS-111U		2	2	
33	MS-111V		1	1	
34	MS-112A	1		1	
35	MS-113	3	22	25	
36	MS-114A	1	3	4	
37	MS-114B		2	2	
38	MS-114C		1	1	
39	MS-114D		1	1	
40	MS-115A		1	1	
41	MS-115B		1	1	
42	MS-115C		2	2	
43	MS-115D		1	1	
44	MS-116		4	4	
45	MS-117A		1	1	
46	MS-117C		1	1	
47	MS-118A		1	1	
48	MS-119		3	3	
49	MS-120		12	12	EI-4412F新增
50	MS-121		3	3	EI-4412F新增
51	MS-122		4	4	EI-4412F新增
52	MS-123		4	4	EI-4412F新增
53	MS-124		1	1	EI-4412F新增
54	MS-125		1	1	EI-4412F新增
	分层数量	70	297	367	

EI 6767  
已出

本层 {

J858康城11期特色层收口铝板铁件数量分

工程: J858康城11期

日期: 29-Nov-22

T2

序号	铝板编号			总数量	备注
		66F	67F		
<del>1</del>	<del>MS-100</del>	<del>3</del>		<del>3</del>	
2	MS-101A	1		1	
<del>3</del>	<del>MS-102</del>	<del>8</del>	<del>8</del>	<del>16</del>	
4	MS-103A	2		2	
5	MS-103B		2	2	
6	MS-104		4	4	
7	MS-105A		1	1	
8	MS-106	36	140	176	
9	MS-107A		2	2	
10	MS-108A		3	3	
11	MS-108B		1	1	
12	MS-108D		1	1	
13	MS-109		4	4	
14	MS-110A		1	1	
15	MS-111A	6	19	25	
16	MS-111B	1	2	3	
17	MS-111C	1		1	
18	MS-111D	1	1	2	
19	MS-111E	3	2	5	
20	MS-111G		3	3	
21	MS-111H	1	5	6	
22	MS-111J	1	4	5	
23	MS-111N		1	1	
24	MS-111P		4	4	
25	MS-111Q		1	1	
26	MS-111S		1	1	
27	MS-111T		3	3	
28	MS-111U		1	1	
29	MS-111W		1	1	
30	MS-112A	1		1	
31	MS-113	3	22	25	
32	MS-114A	1	3	4	
33	MS-114B		2	2	
34	MS-114C		1	1	
35	MS-114D		1	1	
36	MS-115A		1	1	
37	MS-115B		1	1	
38	MS-115C		2	2	
39	MS-115E		1	1	
40	MS-116		4	4	
41	MS-117A		2	2	
<del>42</del>	<del>MS-119</del>	<del>3</del>		<del>3</del>	
43	MS-120		12	12	EI-4412F新增
44	MS-121		3	3	EI-4412F新增
45	MS-122		4	4	EI-4412F新增
46	MS-123		4	4	EI-4412F新增
47	MS-124		1	1	EI-4412F新增
48	MS-125		1	1	EI-4412F新增
				0	
	分层数量	69	283	352	

BZ 6767  
已出

本层

J858康城11期特色层收口铝板铁件数量

工程: J858康城11期

日期: 30-Aug-23

T3

序号	铝板编号			总数量	备注
		66F	67F		
<del>1</del>	<del>MS-100</del>	<del>3</del>		<del>3</del>	
2	MS-101A	1		1	
3	MS-102	8	8	16	
4	MS-103A	2		2	
5	MS-103B		2	2	
6	MS-104		4	4	
7	MS-105A		1	1	
8	MS-106	33	142	175	
9	MS-107A		2	2	
10	MS-108A		3	3	
11	MS-108B		1	1	
12	MS-108E		1	1	
13	MS-109		4	4	
14	MS-110A		1	1	
15	MS-111A	5	19	24	
16	MS-111B	1	2	3	
17	MS-111C	1		1	
18	MS-111D		2	2	
19	MS-111E	3	2	5	
20	MS-111F	1		1	
21	MS-111G		3	3	
22	MS-111H		3	3	
23	MS-111J	1	4	5	
24	MS-111K	1		1	
25	MS-111L		1	1	
26	MS-111N		1	1	
27	MS-111P		6	6	
28	MS-111Q		2	2	
29	MS-111S		2	2	
30	MS-111T		1	1	
31	MS-111W		1	1	
32	MS-112A	1		1	
33	MS-113	3	22	25	
34	MS-114A	1	3	4	
35	MS-114B		2	2	
36	MS-114C		1	1	
37	MS-114D		1	1	
38	MS-115A		1	1	
39	MS-115B		1	1	
40	MS-115C		2	2	
41	MS-115D		1	1	
42	MS-116		4	4	
43	MS-117A		1	1	
44	MS-117B		1	1	
<del>45</del>	<del>MS-119</del>	<del>3</del>		<del>3</del>	
46	MS-120		12	12	EI-4412F新增
47	MS-121		3	3	EI-4412F新增
48	MS-122		4	4	EI-4412F新增
49	MS-123		4	4	EI-4412F新增
50	MS-124		1	1	EI-4412F新增
51	MS-125		1	1	EI-4412F新增
				0	
	分层数量	65	286	351	

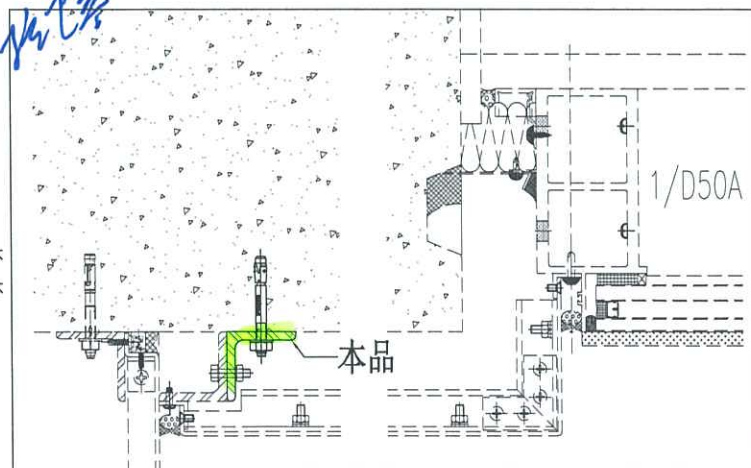
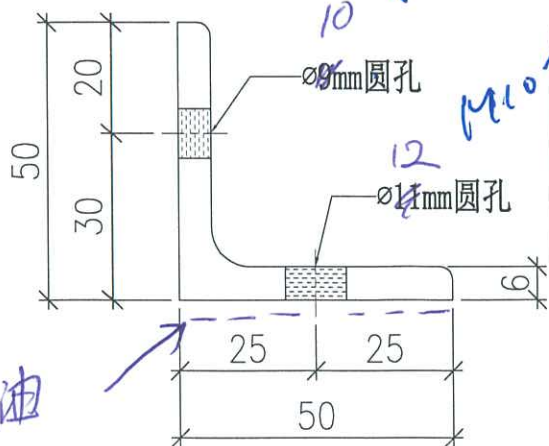
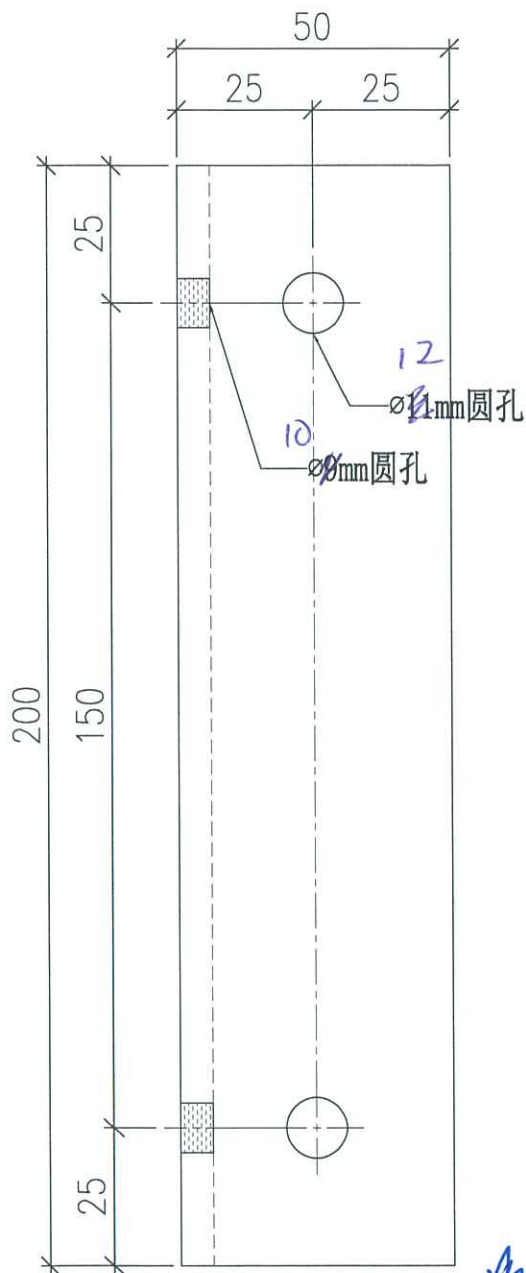
EI 6767  
已出

本层



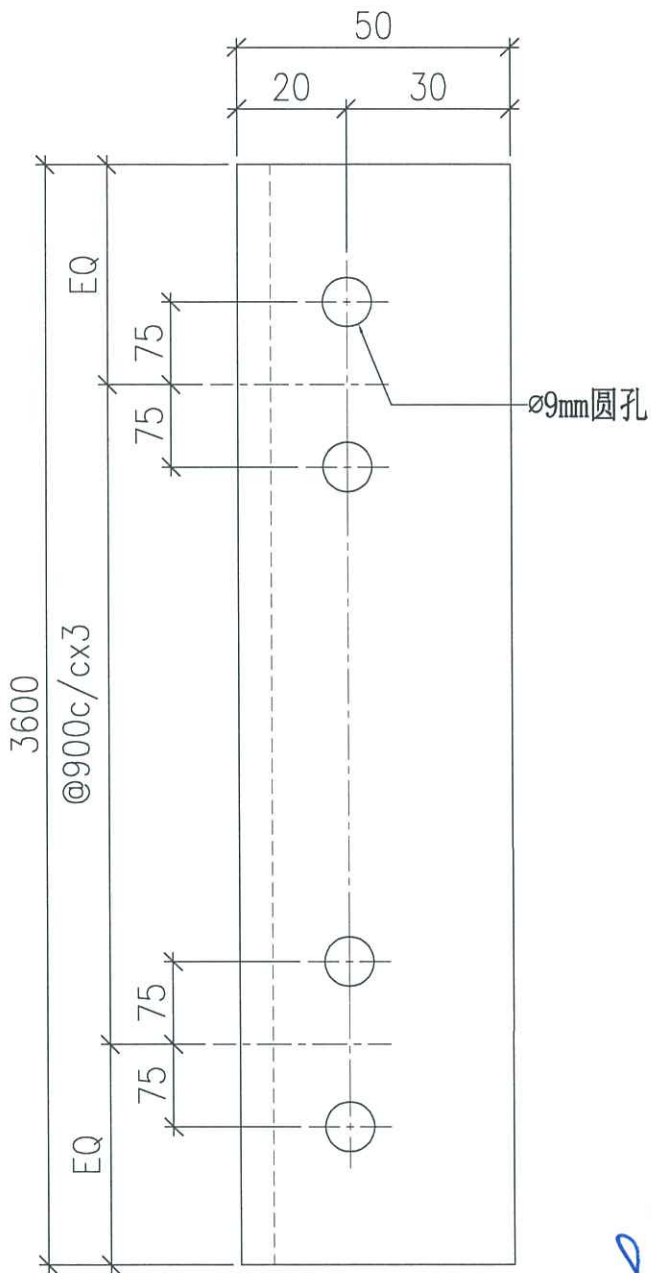
美特鋁質有限公司  
MIDI Aluminium Fabricator Ltd.

工程號	J858	類別		物料號	-
地盘	康城11期	制圖	J.L.	2024-03-30	圖號 MS-120
修改		採用工廠			數量 36
日期		材料颜色	热浸锌		單件重量 0.90 (KG)
		图纸名称	铁件加工图	復核 -	
		材料	50x50x6mm 铁角 (S-275)	批准 -	



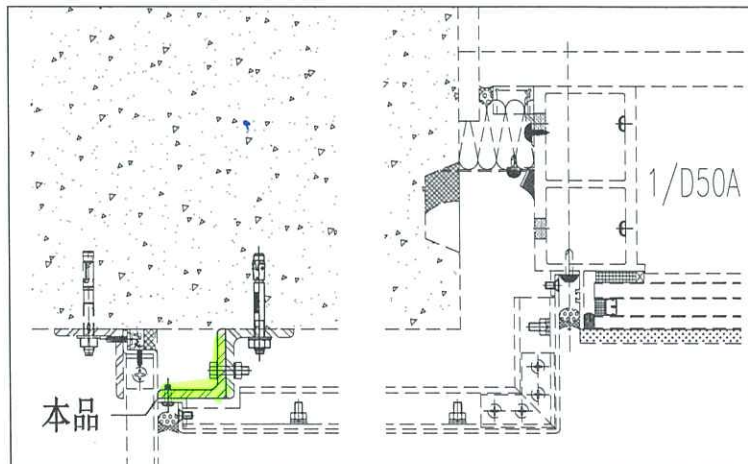
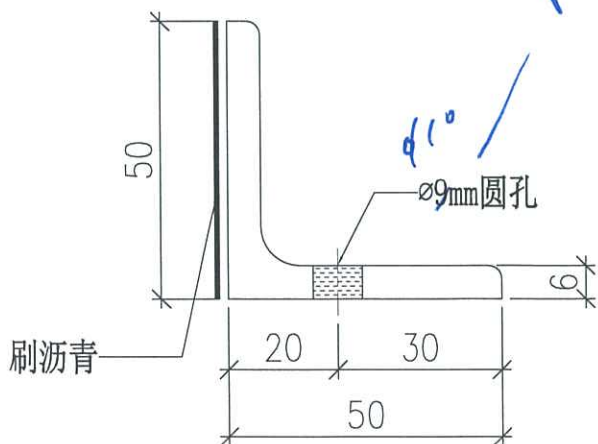
150A

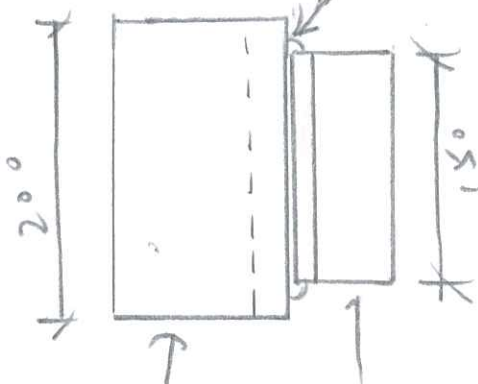
 美特鋁質有限公司 MIDI Aluminium Fabricator Ltd.		工程號 J858 地盘 康城11期	類別 制圖 J.L.	物料號 - 2024-03-30	圖號 MS-121
修改 日期	採用工廠 材料颜色 热浸锌	图纸名称 铁件加工图 材料 50x50x6mm 铁角 (S-275)	復核 - 批准 -	數量 9 單件重量 16.16 (KG)	



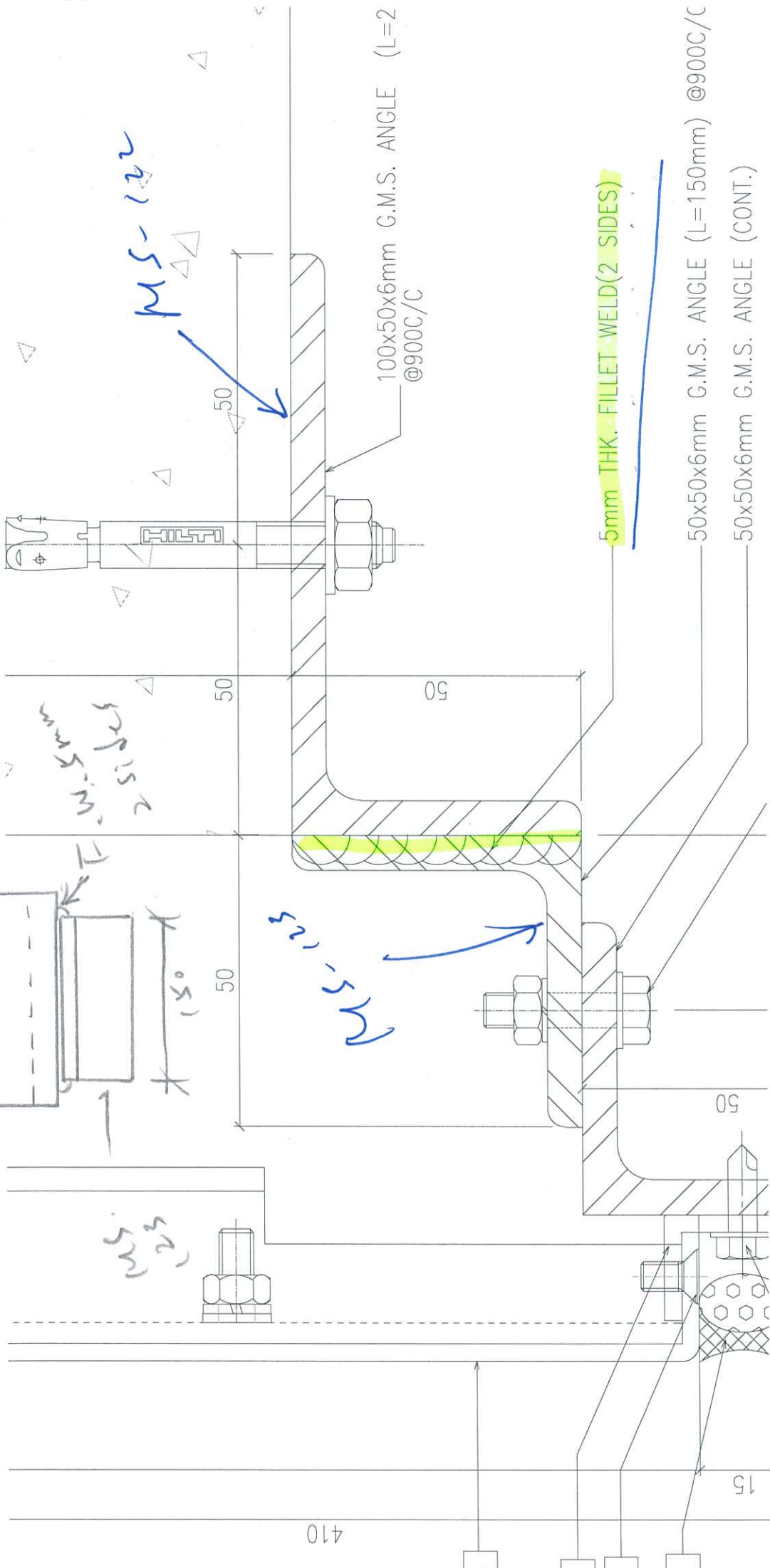
*M 8 20 L*

*D50A*





M5-122



MS-122

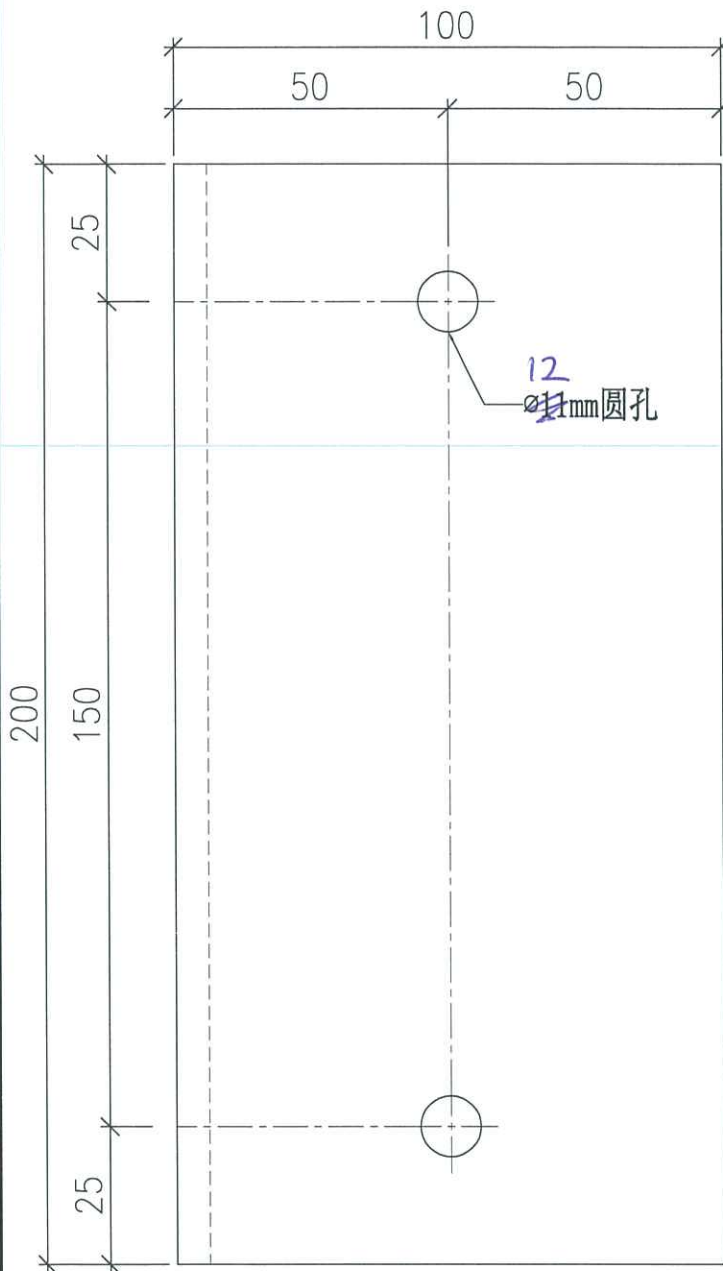
100x50x6mm G.M.S. ANGLE (L=2)  
@900C/C

5mm THK. FILLET WELD(2 SIDES)

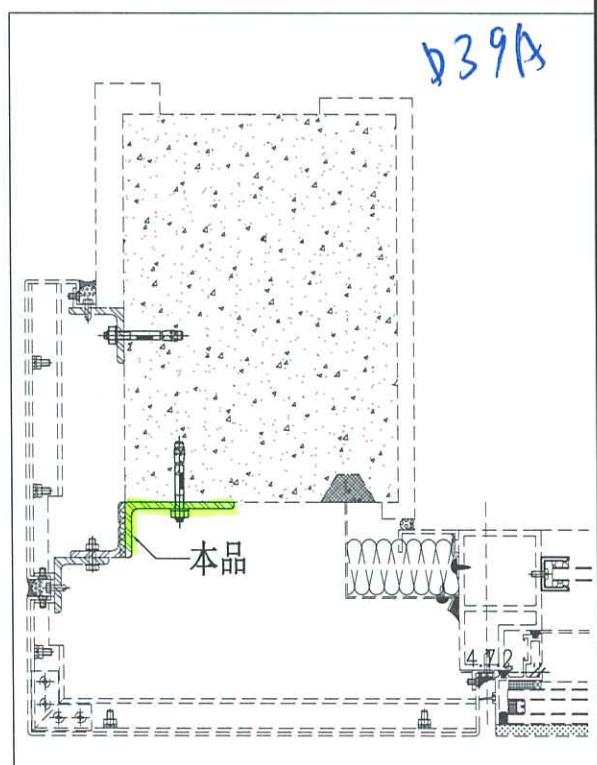
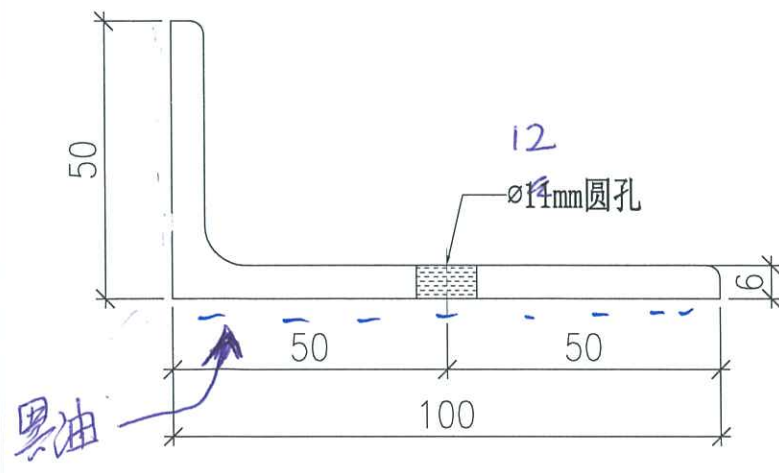
50x50x6mm G.M.S. ANGLE (L=150mm) @900C/C

50x50x6mm G.M.S. ANGLE (CONT.)

 美特鋁質有限公司 MIDI Aluminium Fabricator Ltd.		工程號 J858 地盘 康城11期	類別 制圖 J.L.	物料號 - 2024-03-30	圖號 MS-122
修改 日期	採用工廠 材料颜色 热浸锌	图纸名称 铁件加工图 材料 100x50x6mm 铁角 (S-275)	復核 - 批准 -	數量 12 單件重量 1.37 (KG)	



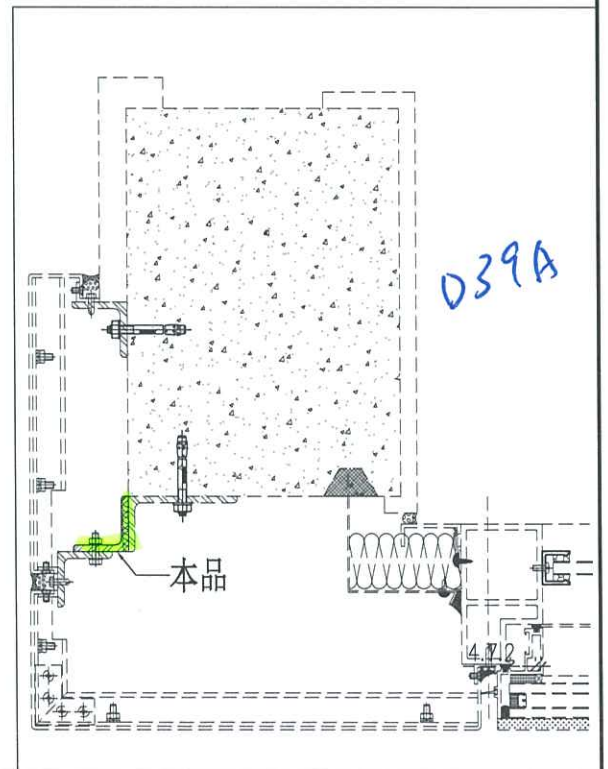
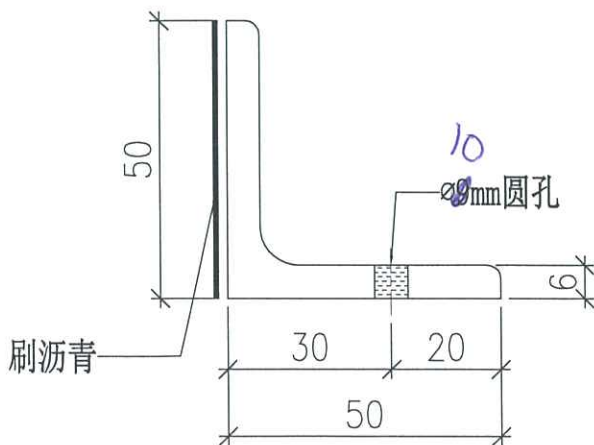
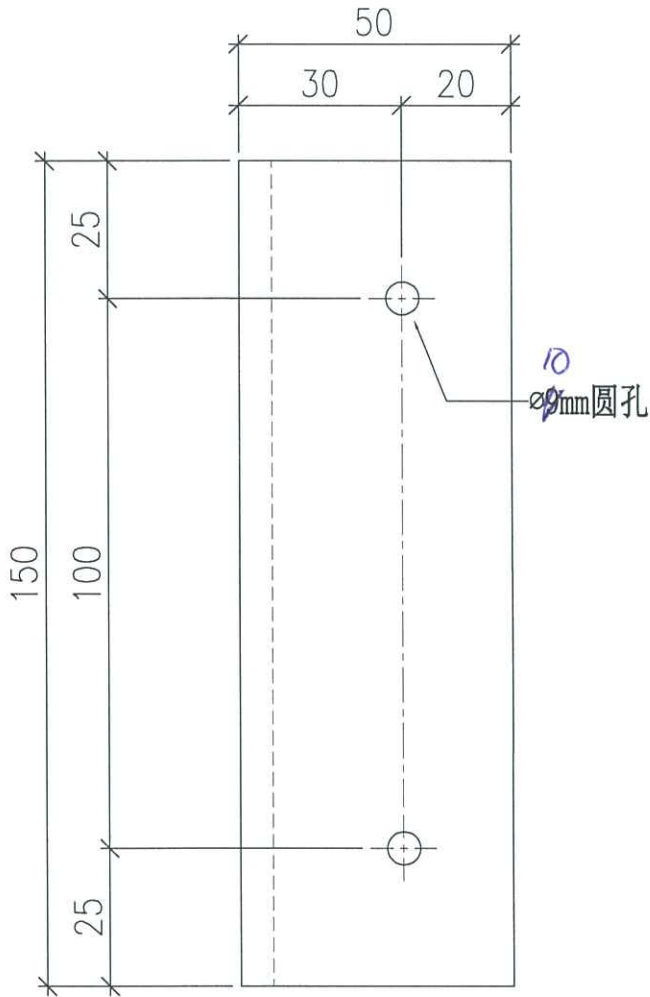
MS-122  
 4. MS-123 增





美特鋁質有限公司  
MIDI Aluminium Fabricator Ltd.

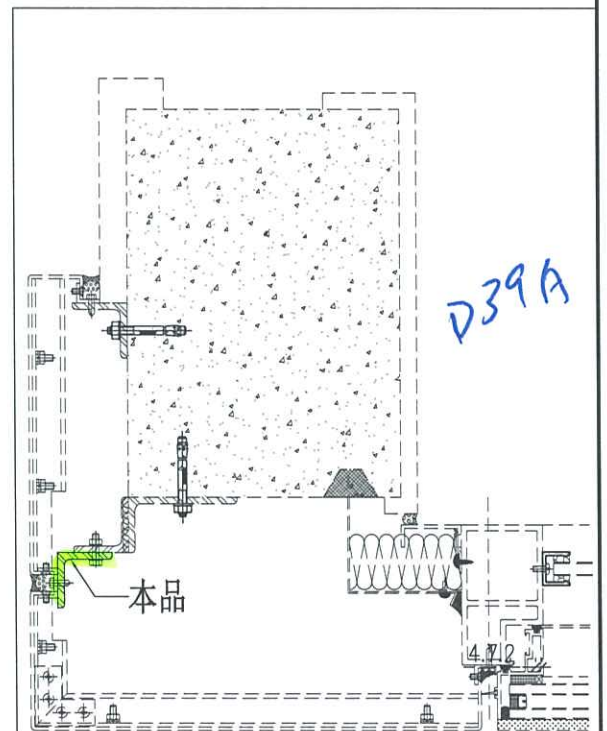
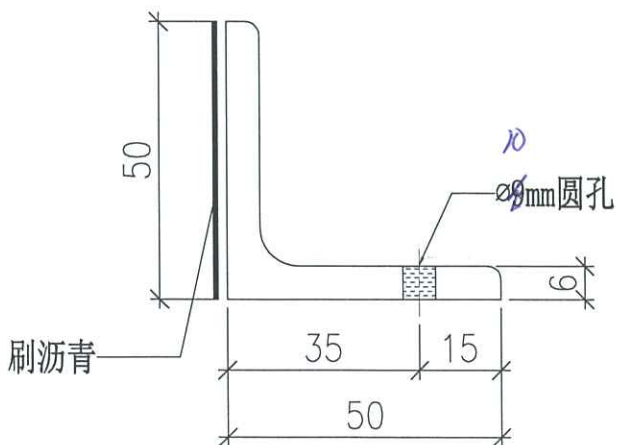
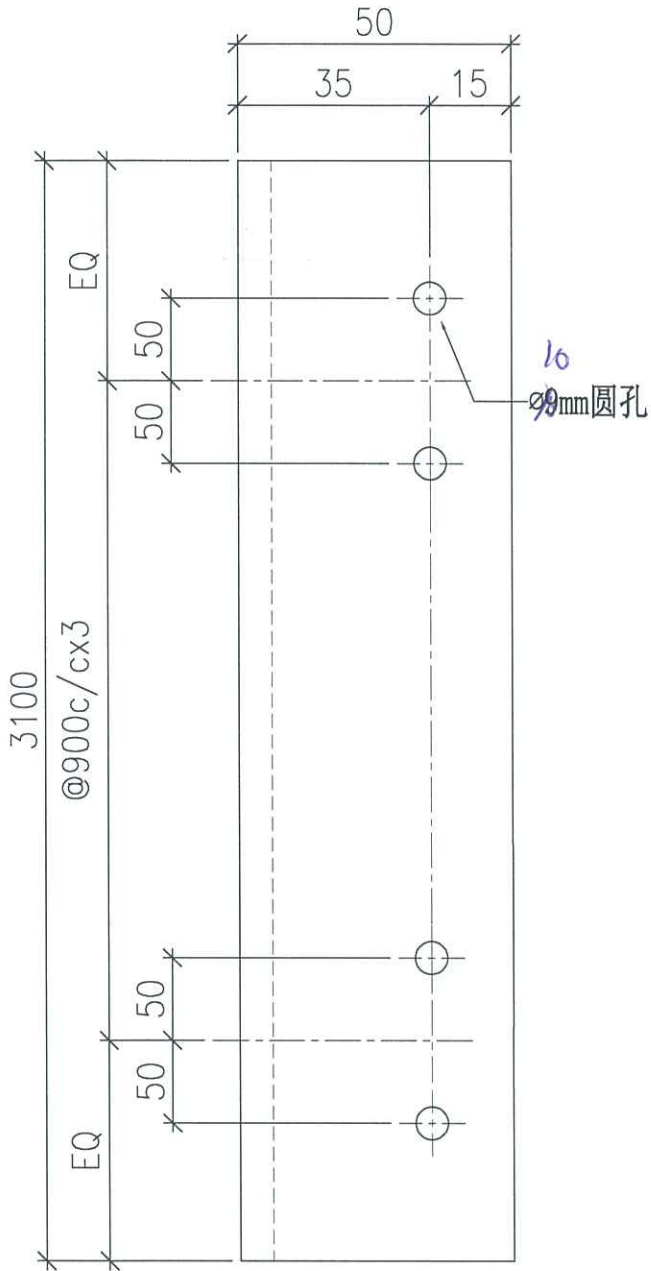
工程號	J858	類別		物料號	-							
地盘	康城11期	制圖	J.L.	2024-03-30	圖號	MS-123						
修改		採用工廠		地盤		圖紙名稱	铁件加工图	復核	-	-	數量	12
日期		材料颜色	热浸锌	材料	50x50x6mm 铁角 (S-275)	批准	-	-	單件重量	0.67 (KG)		



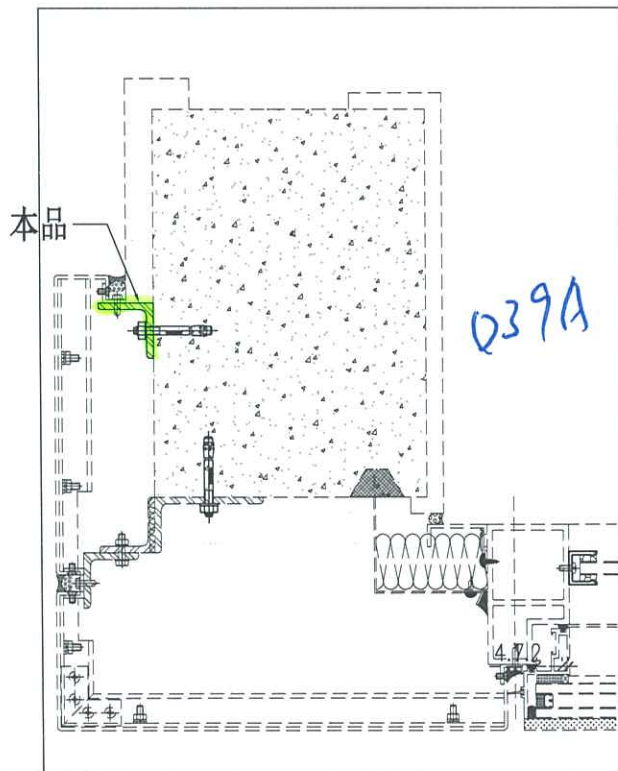
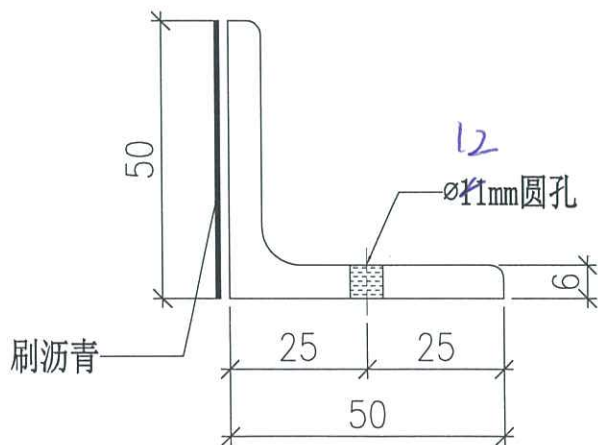
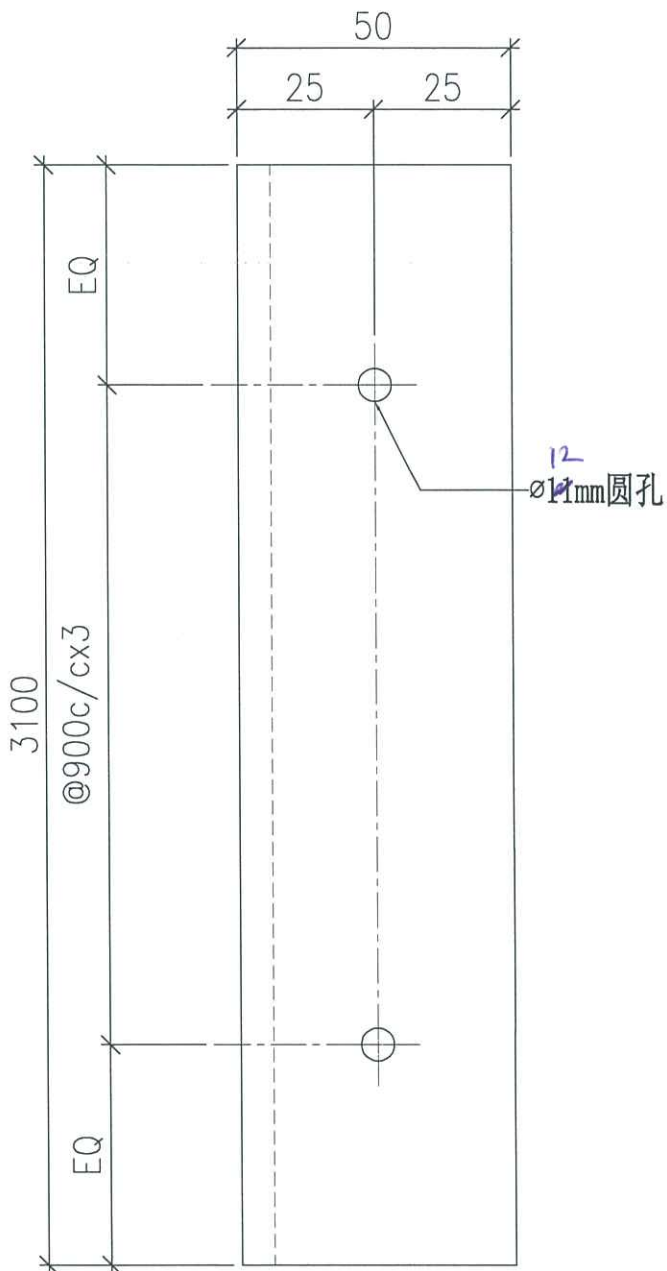


美特鋁質有限公司  
MIDI Aluminium Fabricator Ltd.

工程號	J858	類別		物料號	-
地盘	康城11期	制圖	J. L.	2024-03-30	圖號 MS-124
修改		採用工廠			數量 3
日期		材料颜色	热浸锌		單件重量 13.92 (KG)
		图纸名称	铁件加工图	復核 -	
		材料	50x50x6mm 铁角 (S-275)	批准 -	



 美特鋁質有限公司 MIDI Aluminium Fabricator Ltd.		工程號 J858 地盘 康城11期	類別 制圖 J. L.	物料號 - 2024-03-30	圖號 MS-125
修改 日期	採用工廠 材料颜色 热浸锌	图纸名称 铁件加工图 材料 50x50x6mm 铁角 (S-275)	復核 - 批准 -	數量 3 單件重量 13.92 (KG)	



B.O. REF :

CLIENT : 新地有限公司  
Sino Land Company Limited

ARCHITECT : Ronald Lu & Partners (HK) Ltd.  
呂志立建築師事務所 (香港) 有限公司

MAIN CONTRACTOR : Gammon

STRUCTURAL ENGINEER : AECOM

FAÇADE CONSULTANT : AECOM

NOTE :  
1. ALL DIMENSIONS ARE IN MM.  
2. ALL ELEVATIONS ARE VIEWED FROM OUTSIDE.  
3. ALL DIMENSIONS TO BE VERIFIED ON SITE BEFORE PROCEEDING.

LEGEND :  
① DETAIL MARK NO.  
② REFER SHEET NO.  
1. F.F.L. -- FINISHED FLOOR LEVEL  
2. S.F.L. -- STRUCTURAL FLOOR LEVEL  
3. -- REVERSED DETAIL

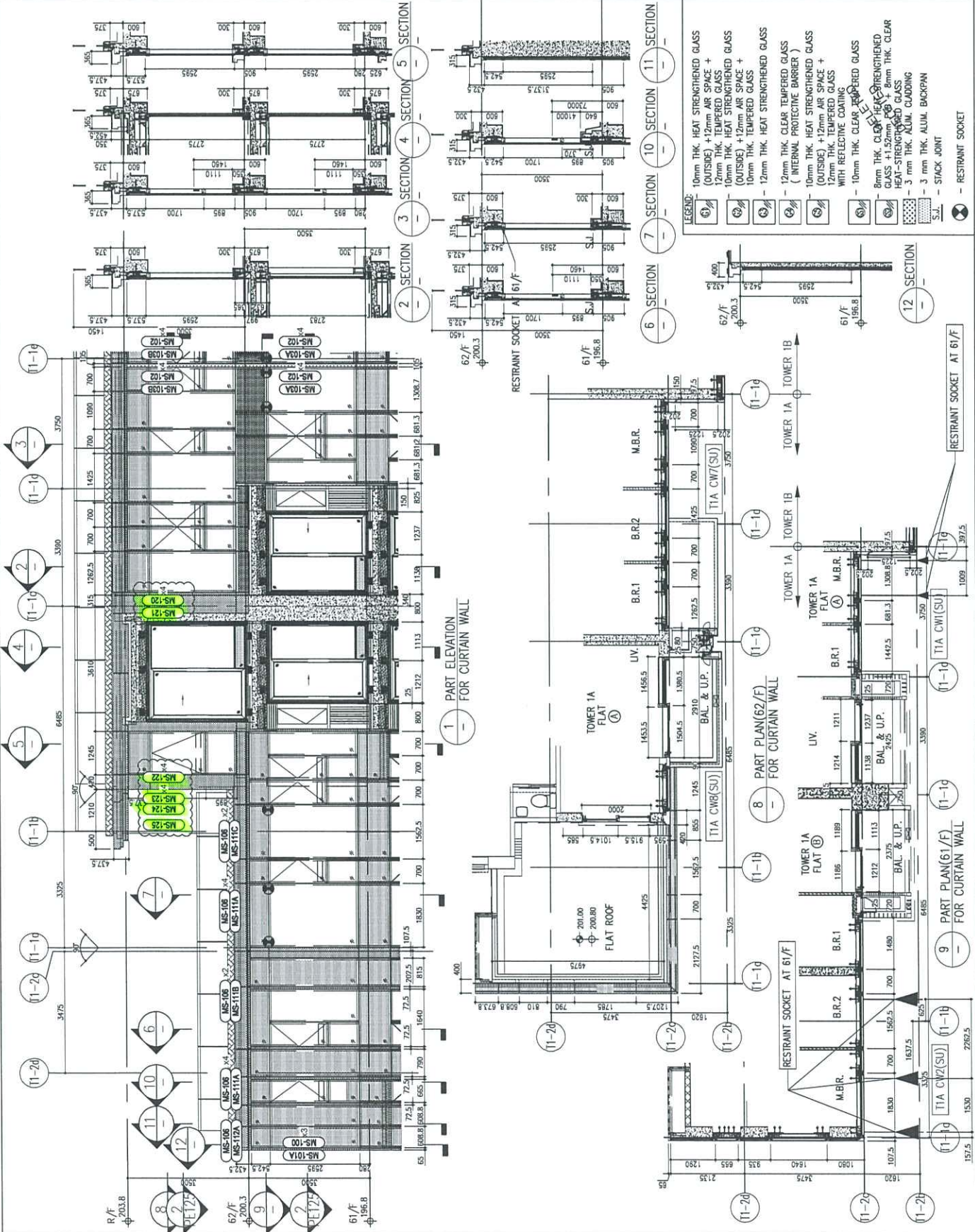
LS	13/04/2011	REVISED AS PER COMMENTS
LS	13/07/2011	REVISED AS PER COMMENTS
LS	13/09/2011	REVISED AS PER COMMENTS
LS	13/04/2012	REVISED AS PER COMMENTS
REVISED		
BY		

JOB NO. : J-855  
PROJECT : PROPOSED RESIDENTIAL DEVELOPMENT AT TOWER 709F, PHASE 11, LUNAS PARK, TSING KONG N.T.

TITLE : PENTHOUSE FLOOR PARTIAL ELEVATION & SECTION, PLAN FOR CURTAIN WALL (TOWER 1)

DATE : 12-JAN-22  
SCALE : 1:50(A1)  
CHECKED BY :

DRAWN BY :  
 MIDI Architecture  
810 Che Kwo Ling Road, Kowloon, H.K.  
Tel: 2489211-4 Fax: (852) 2727666  
DWC NO. : JB55-CW-FE117 REV. : D



B.O. REF :

CLIENT : **Sino Land Company Limited**  
**ronald lu & partners**  
**Ronald Lu & Partners (HK) Ltd.**  
 呂克立建築師事務所 (香港) 有限公司

MAIN CONTRACTOR : **Gammon**  
**AECOM**  
 STRUCTURAL ENGINEERS : **AECOM**  
 FACADE CONSULTANT: **AECOM**

NOTE:  
 1. ALL DIMENSIONS ARE IN mm.  
 2. ALL ELEVATIONS ARE VIEWED FROM OUTSIDE.  
 3. ALL DIMENSIONS TO BE VERIFIED ON SITE BEFORE FABRICATION.

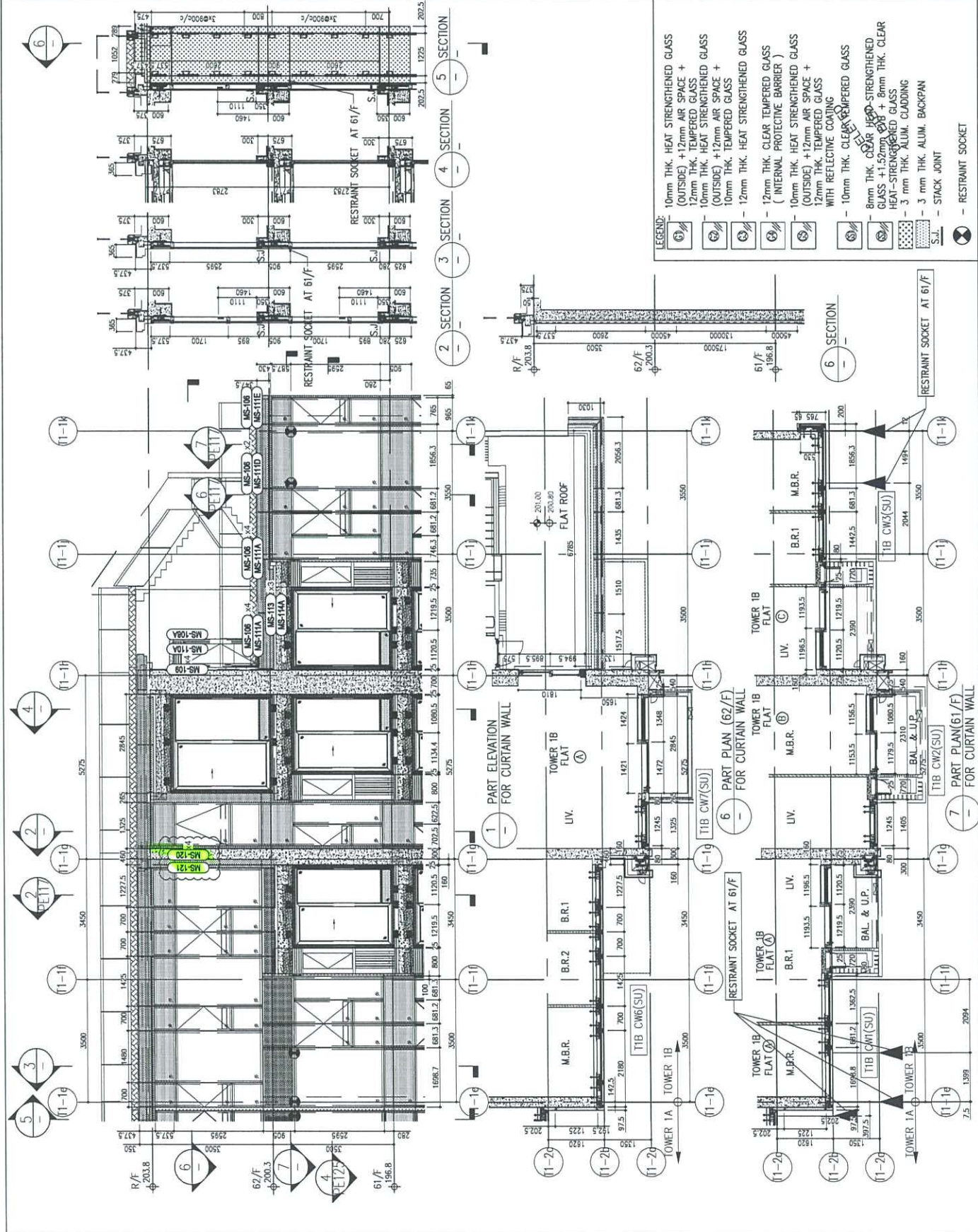
LEGEND:  
 (S) DETAIL MARK NO.  
 (R) REFER SHEET NO.  
 1. F.F.L. -- FINISHED FLOOR LEVEL.  
 2. S.F.L. -- STRUCTURAL FLOOR LEVEL.  
 3. (R) -- REVERSED DETAIL.

NO.	DATE	REVISION
C	13/04/22	REVISED AS PER COMMENTS
B	24/07/22	REVISED AS PER COMMENTS
A	13/04/22	REVISED AS PER COMMENTS

JOB NO. : J-858  
 PROJECT : PROPOSED RESIDENTIAL DEVELOPMENT AT TOWER 700F, PHASE T1, LUNAS PARK 13000 KWAN CO. N.T.

TITLE : PENTHOUSE FLOOR PARTIAL ELEVATION & SECTION, PLAN FOR CURTAIN WALL (TOWER 1)

DATE : 12-JUN-22  
 SCALE : 1:50(A1)  
 DRAWN BY :  
 CHECKED BY :  
**美特銘實有限公司**  
 MIDY Architecture Associates Ltd.  
 610 Che Kwo Road, Kowloon, H.K.  
 Tel: 3489711-4 Fax: (852) 2727666  
 DWG NO. : J858-CW-PE118 REV. : C





B.D. REF :

CLIENT : 新和置業有限公司  
Sino Land Company Limited

ARCHITECT : Ronald Lu & Partners (HK) Ltd.  
呂宗宜建築師事務所 (香港) 有限公司

MAIN CONTRACTOR : Gammon

STRUCTURAL ENGINEER : AECOM

FAÇADE CONSULTANT: AECOM

NOTE:  
1. ALL DIMENSIONS ARE IN mm.  
2. ALL ELEVATIONS ARE VIEWED FROM OUTSIDE.  
3. ALL ELEVATIONS TO BE TOPED ON SITE.  
4. REFER TO DRAWING FOR MORE INFORMATION.

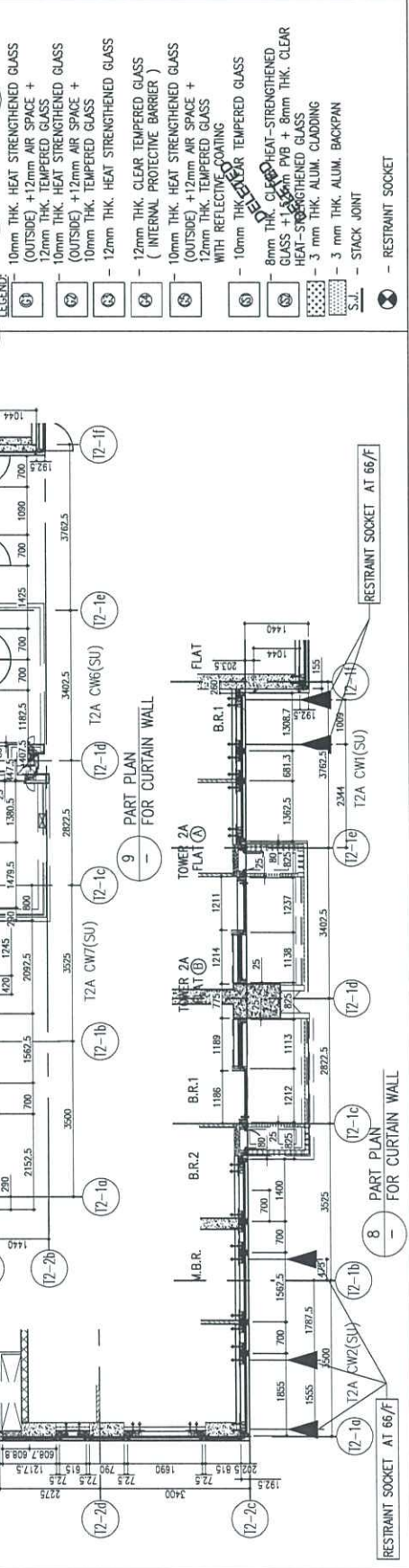
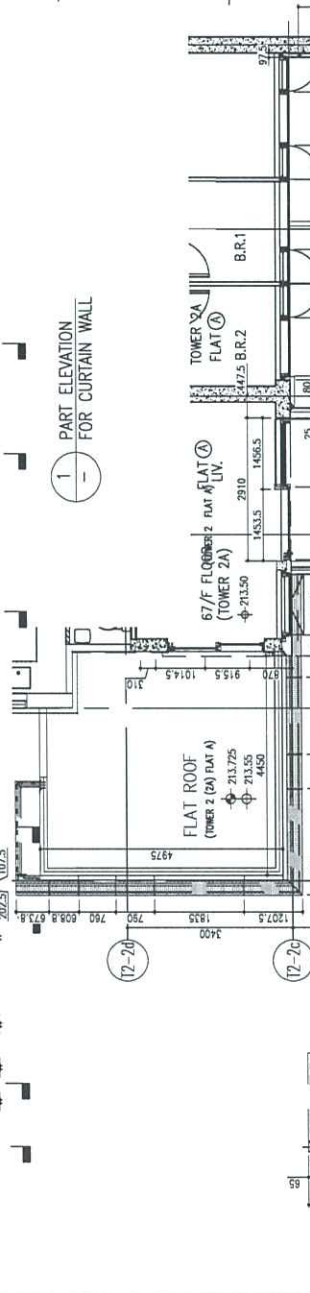
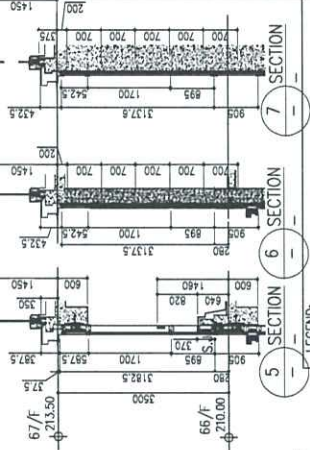
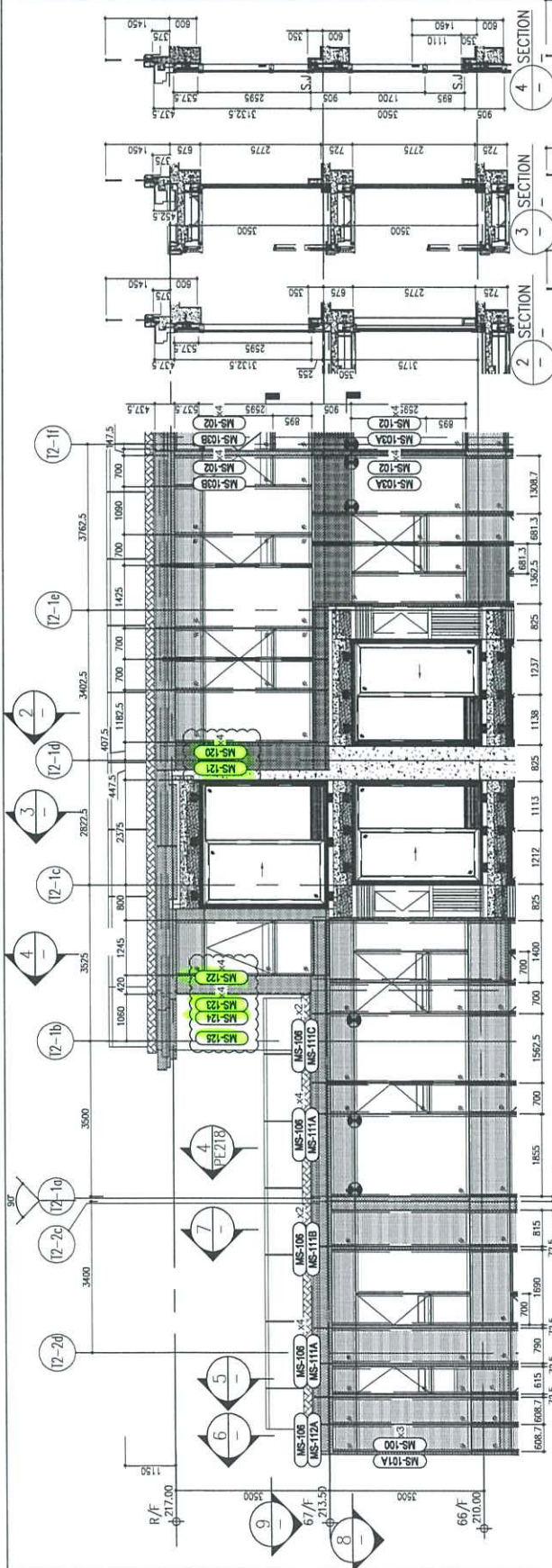
LEGEND:  
① DETAIL MARK NO.  
② REFER SHEET NO.  
1. F.F.L. -- FINISHED FLOOR LEVEL  
2. S.F.L. -- STRUCTURAL FLOOR LEVEL  
3. -- REVERSED DETAIL

NO.	DATE	REVISION	BY
E	17/04/21	ISSUED AS PER COMMENTS	LS
D	17/04/21	ISSUED AS PER COMMENTS	LS
C	18/07/21	ISSUED AS PER COMMENTS	LS
B	18/05/21	ISSUED AS PER COMMENTS	LS
A	17/04/21	ISSUED AS PER COMMENTS	LS

JOB NO. : J-858  
PROJECT : PROPOSED RESIDENTIAL DEVELOPMENT AT TOWER 20/PT, PHASE T1, LOMAS PARK 12000 KWAN O, H.K.

TITLE : PENTHOUSE & FLOOR PARTIAL ELEVATION & SECTION, PLAN FOR CURTAIN WALL (TOWER 2)

DATE : 22-01-21  
SCALE : 1:50(A1)  
DRAWN BY :  
CHECKED BY :  
M.T. Lam  
M.T. Lam  
810 Che Kwo Ling Road, Kowloon  
Tel: 23489711-4 Fax: (852) 27272668  
DWG NO. : J-858-CW-FE217  
REV. : E



LEGEND:  
① 10mm THK. HEAT STRENGTHENED GLASS (OUTSIDE) + 12mm AIR SPACE + 12mm THK. TEMPERED GLASS  
② 10mm THK. HEAT STRENGTHENED GLASS (OUTSIDE) + 12mm AIR SPACE + 10mm THK. TEMPERED GLASS  
③ 12mm THK. HEAT STRENGTHENED GLASS (OUTSIDE) + 12mm AIR SPACE + 12mm THK. CLEAR TEMPERED GLASS (INTERNAL PROTECTIVE BARRIER)  
④ 10mm THK. HEAT STRENGTHENED GLASS (OUTSIDE) + 12mm AIR SPACE + 12mm THK. TEMPERED GLASS WITH REFLECTIVE COATING  
⑤ 10mm THK. CLEAR TEMPERED GLASS  
⑥ 8mm THK. CLEAR HEAT-STRENGTHENED GLASS + 12mm PVB + 8mm THK. CLEAR HEAT-STRENGTHENED GLASS  
⑦ 3 mm THK. ALUM. CLADDING  
⑧ 3 mm THK. ALUM. BACKPAN  
S.J. -- STACK JOINT  
⊗ -- RESTRAINT SOCKET

B.D. REF :

CLIENT : **Sino Land Company Limited**  
**新地置业有限公司**

ARCHITECT : **ronald lu & partners**  
**Ronald Lu & Partners (HK) Ltd.**  
**呂志輝建築師事務所 (香港) 有限公司**

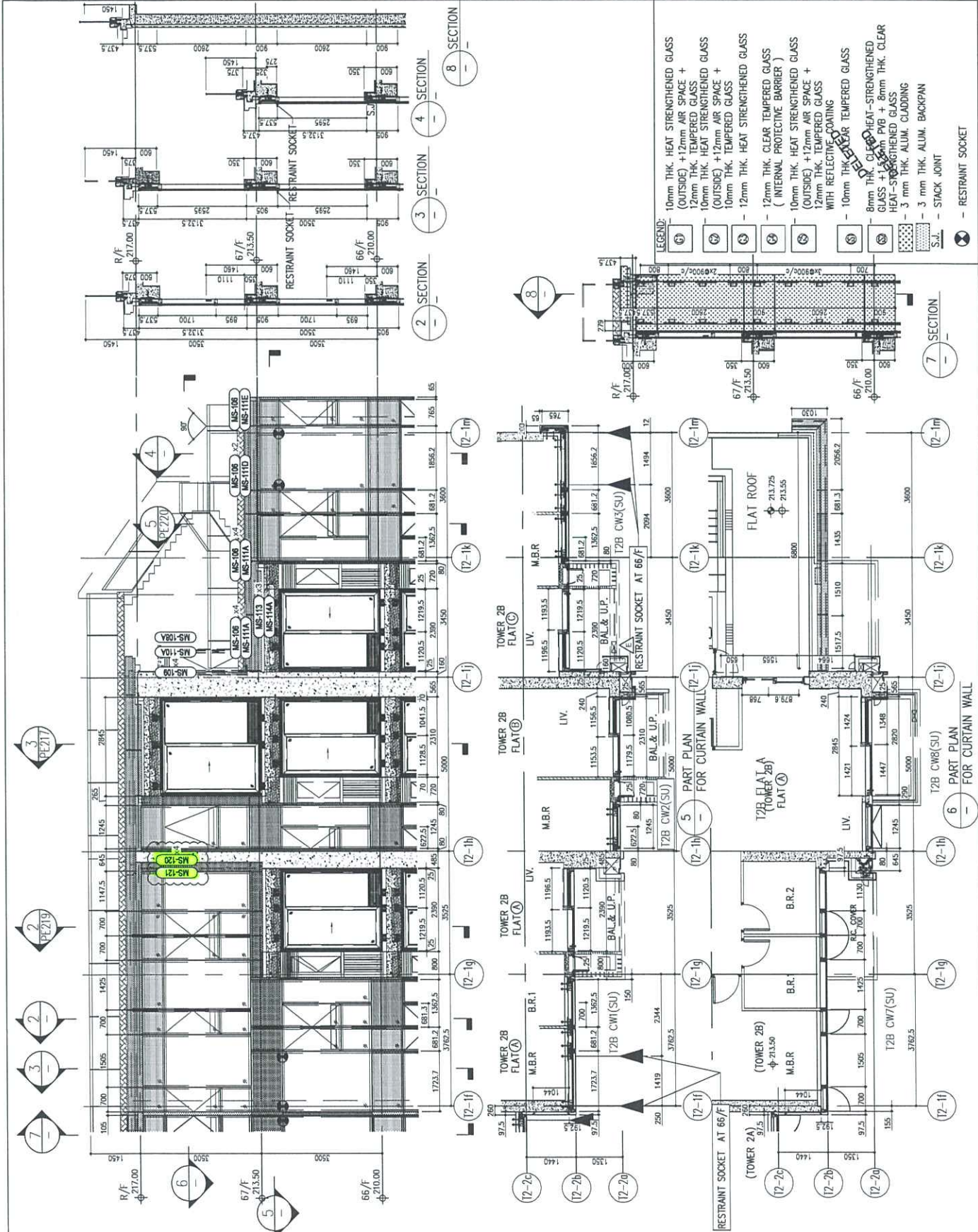
MAIN CONTRACTOR : **Gammon**  
**結構工程師 :**  
**AECOM**

FAÇADE CONSULTANT : **AECOM**

NOTE :  
 1. ALL DIMENSIONS ARE IN MM.  
 2. ALL ELEVATIONS ARE VIEWED FROM OUTSIDE.  
 3. ALL DIMENSIONS TO BE VERIFIED ON SITE BEFORE PROCEEDING.

LEGEND :  
 (1) DETAIL MARK NO.  
 (2) REFER SHEET NO.  
 1. FFL -- FINISHED FLOOR LEVEL  
 2. SFL -- STRUCTURAL FLOOR LEVEL  
 3. (R) -- REVERSED DETAIL

NO.	REV.	REASON
0	15/04/23	ISSUED AS PER COMMENTS
1	17/04/23	REVISED AS PER COMMENTS
2	18/07/23	REVISED AS PER COMMENTS
3	12/04/22	REVISED AS PER COMMENTS
4	12/04/22	REVISED AS PER COMMENTS
5	12/04/22	REVISED AS PER COMMENTS
6	12/04/22	REVISED AS PER COMMENTS
7	12/04/22	REVISED AS PER COMMENTS
8	12/04/22	REVISED AS PER COMMENTS
9	12/04/22	REVISED AS PER COMMENTS
10	12/04/22	REVISED AS PER COMMENTS
11	12/04/22	REVISED AS PER COMMENTS
12	12/04/22	REVISED AS PER COMMENTS
13	12/04/22	REVISED AS PER COMMENTS
14	12/04/22	REVISED AS PER COMMENTS
15	12/04/22	REVISED AS PER COMMENTS
16	12/04/22	REVISED AS PER COMMENTS
17	12/04/22	REVISED AS PER COMMENTS
18	12/04/22	REVISED AS PER COMMENTS
19	12/04/22	REVISED AS PER COMMENTS
20	12/04/22	REVISED AS PER COMMENTS
21	12/04/22	REVISED AS PER COMMENTS
22	12/04/22	REVISED AS PER COMMENTS
23	12/04/22	REVISED AS PER COMMENTS
24	12/04/22	REVISED AS PER COMMENTS
25	12/04/22	REVISED AS PER COMMENTS
26	12/04/22	REVISED AS PER COMMENTS
27	12/04/22	REVISED AS PER COMMENTS
28	12/04/22	REVISED AS PER COMMENTS
29	12/04/22	REVISED AS PER COMMENTS
30	12/04/22	REVISED AS PER COMMENTS
31	12/04/22	REVISED AS PER COMMENTS
32	12/04/22	REVISED AS PER COMMENTS
33	12/04/22	REVISED AS PER COMMENTS
34	12/04/22	REVISED AS PER COMMENTS
35	12/04/22	REVISED AS PER COMMENTS
36	12/04/22	REVISED AS PER COMMENTS
37	12/04/22	REVISED AS PER COMMENTS
38	12/04/22	REVISED AS PER COMMENTS
39	12/04/22	REVISED AS PER COMMENTS
40	12/04/22	REVISED AS PER COMMENTS
41	12/04/22	REVISED AS PER COMMENTS
42	12/04/22	REVISED AS PER COMMENTS
43	12/04/22	REVISED AS PER COMMENTS
44	12/04/22	REVISED AS PER COMMENTS
45	12/04/22	REVISED AS PER COMMENTS
46	12/04/22	REVISED AS PER COMMENTS
47	12/04/22	REVISED AS PER COMMENTS
48	12/04/22	REVISED AS PER COMMENTS
49	12/04/22	REVISED AS PER COMMENTS
50	12/04/22	REVISED AS PER COMMENTS
51	12/04/22	REVISED AS PER COMMENTS
52	12/04/22	REVISED AS PER COMMENTS
53	12/04/22	REVISED AS PER COMMENTS
54	12/04/22	REVISED AS PER COMMENTS
55	12/04/22	REVISED AS PER COMMENTS
56	12/04/22	REVISED AS PER COMMENTS
57	12/04/22	REVISED AS PER COMMENTS
58	12/04/22	REVISED AS PER COMMENTS
59	12/04/22	REVISED AS PER COMMENTS
60	12/04/22	REVISED AS PER COMMENTS
61	12/04/22	REVISED AS PER COMMENTS
62	12/04/22	REVISED AS PER COMMENTS
63	12/04/22	REVISED AS PER COMMENTS
64	12/04/22	REVISED AS PER COMMENTS
65	12/04/22	REVISED AS PER COMMENTS
66	12/04/22	REVISED AS PER COMMENTS
67	12/04/22	REVISED AS PER COMMENTS
68	12/04/22	REVISED AS PER COMMENTS
69	12/04/22	REVISED AS PER COMMENTS
70	12/04/22	REVISED AS PER COMMENTS
71	12/04/22	REVISED AS PER COMMENTS
72	12/04/22	REVISED AS PER COMMENTS
73	12/04/22	REVISED AS PER COMMENTS
74	12/04/22	REVISED AS PER COMMENTS
75	12/04/22	REVISED AS PER COMMENTS
76	12/04/22	REVISED AS PER COMMENTS
77	12/04/22	REVISED AS PER COMMENTS
78	12/04/22	REVISED AS PER COMMENTS
79	12/04/22	REVISED AS PER COMMENTS
80	12/04/22	REVISED AS PER COMMENTS
81	12/04/22	REVISED AS PER COMMENTS
82	12/04/22	REVISED AS PER COMMENTS
83	12/04/22	REVISED AS PER COMMENTS
84	12/04/22	REVISED AS PER COMMENTS
85	12/04/22	REVISED AS PER COMMENTS
86	12/04/22	REVISED AS PER COMMENTS
87	12/04/22	REVISED AS PER COMMENTS
88	12/04/22	REVISED AS PER COMMENTS
89	12/04/22	REVISED AS PER COMMENTS
90	12/04/22	REVISED AS PER COMMENTS
91	12/04/22	REVISED AS PER COMMENTS
92	12/04/22	REVISED AS PER COMMENTS
93	12/04/22	REVISED AS PER COMMENTS
94	12/04/22	REVISED AS PER COMMENTS
95	12/04/22	REVISED AS PER COMMENTS
96	12/04/22	REVISED AS PER COMMENTS
97	12/04/22	REVISED AS PER COMMENTS
98	12/04/22	REVISED AS PER COMMENTS
99	12/04/22	REVISED AS PER COMMENTS
100	12/04/22	REVISED AS PER COMMENTS



B.D. REF :

CLIENT : **華和置業有限公司**  
Sino Land Company Limited






ARCHITECT : **Ronald Lu & Partners**  
Ronald Lu & Partners (HK) Ltd.  
呂志輝建築師事務所 (香港) 有限公司

MAIN CONTRACTOR : **Gammon**

STRUCTURAL ENGINEER : **AECOM**

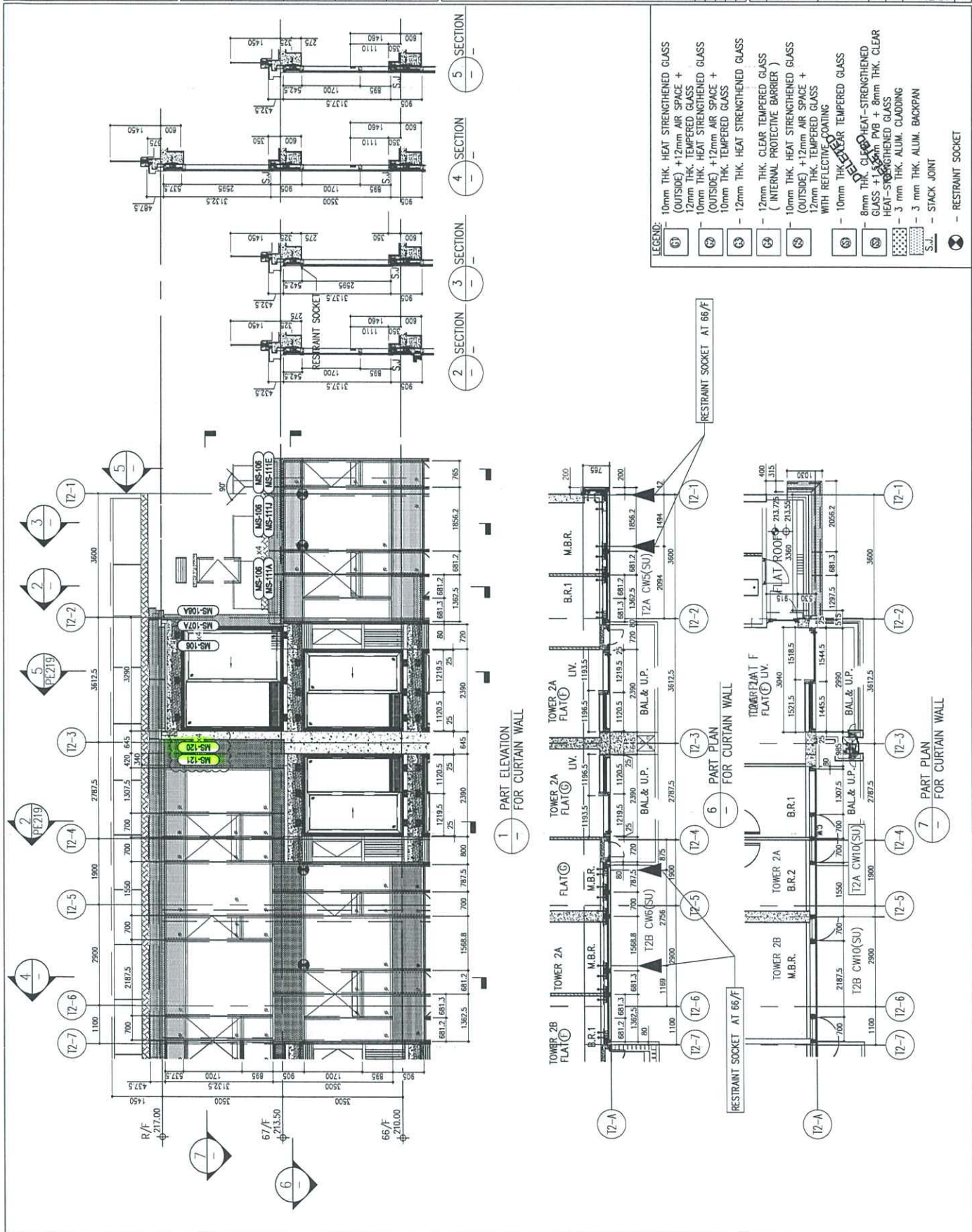
FRAME CONSULTANT : **AECOM**

NOTE :  
1. ALL DIMENSIONS ARE IN MM.  
2. ALL ELEVATIONS ARE VIEWED FROM OUTSIDE.  
3. ALL DIMENSIONS TO BE VERIFIED ON SITE BEFORE FABRICATION.

LEGEND :  
 DETAIL MARK NO.  
 REFER SHEET NO.  
 F.F.L. -- FINISHED FLOOR LEVEL  
 S.F.L. -- STRUCTURAL FLOOR LEVEL  
 -- REVERSED DETAIL

D	12/24/25	REVISED AS PER COMMENTS	LS
E	12/29/22	REVISED AS PER COMMENTS	LS
F	12/29/22	REVISED AS PER COMMENTS	LS
A	12/24/22	REVISED AS PER COMMENTS	LS
KL	06/02		BY

JOB NO. : J-858  
 PROJECT : PROPOSED RESIDENTIAL DEVELOPMENT AT TOWER 200P, PHASE 11, LUNAS PARK, TSUNG HWAI O. N.T.  
 TITLE : PENTHOUSE FLOOR PARTIAL ELEVATION & SECTION, PLAN FOR CURTAIN WALL (TOWER 2)  
 DATE : 22-OCT-21  
 SCALE : 1:50(A1)  
 DRAWN BY :  
 CHECKED BY :  
 美特銘實業有限公司  
 MIDTI Architecture Corporation Ltd.  
 810 Chee Koo Ling Road, Kowloon, H.K.  
 Tel: 2489211-4, Fax: (852) 2727666  
 DWG NO. : J055-CW-PF220  
 REV. : D





B.D. REF :

CLIENT :



ARCHITECT :

ronald lu & partners  
Ronald Lu & Partners (HK) Ltd.  
呂志祥建築師事務所 (香港) 有限公司

MAIN CONTRACTOR :



STRUCTURAL ENGINEER :



FRAME CONSULTANT :



NOTE :

1. ALL DIMENSIONS ARE IN mm.
2. ALL ELEVATIONS ARE VIEWED FROM OUTSIDE.
3. ALL DIMENSIONS TO BE VERIFIED ON SITE BEFORE FABRICATION.

LEGEND :

- ① DETAIL MARK NO.
- ② REFER SHEET NO.
- 1. F.F.L. -- FINISHED FLOOR LEVEL
- 2. S.F.L. -- STRUCTURAL FLOOR LEVEL
- 3. -- REVERSED DETAIL.

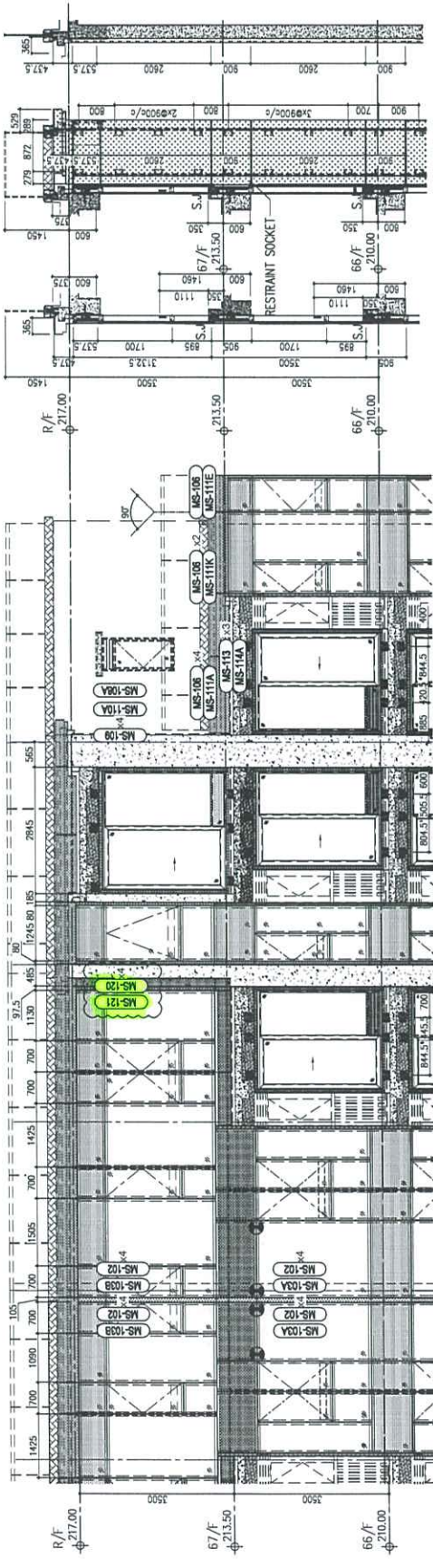
NO.	DATE	REVISION	BY
E	12/04/23	REVISED AS PER COMMENTS	LS
D	11/09/22	REVISED AS PER COMMENTS	LS
C	12/07/22	REVISED AS PER COMMENTS	LS
B	12/07/22	REVISED AS PER COMMENTS	LS
A	12/07/22	REVISED AS PER COMMENTS	LS
1	01/01/21	ISSUED	BT

JOB NO. : J-658  
 PROJECT : PROPOSED RESIDENTIAL DEVELOPMENT AT TOWER 700P, PHASE 11, LUNAS PARK TSEUNG KWAN O, N.T.

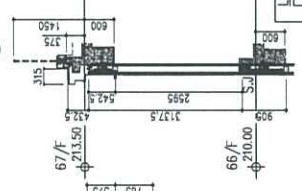
TITLE : PENTHOUSE FLOORS PARTIAL ELEVATION & SECTION PLAN FOR CURTAIN WALL (TOWER 3)

DATE : 22-OCT-21 SCALE : 1:50(A1)  
 DRAWN BY :  
 CHECKED BY :

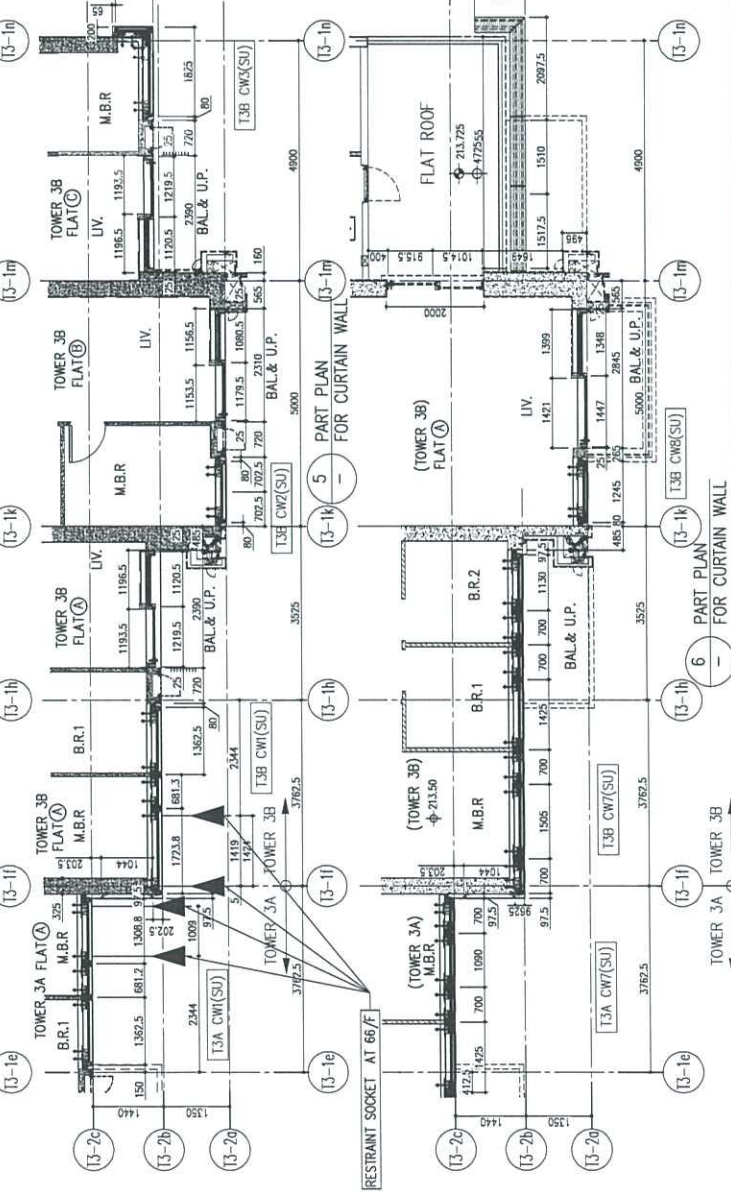
MTDI  
 MTDI ARCHITECT & ENGINEER LTD.  
 610 Cheung Kwan Road, Kwun Tong,  
 Kowloon, HONG KONG  
 Tel: 24892111 - E Fax: (852) 27276666  
 DWG NO. : JBSB-CW-PE318 REV. : E



2 SECTION  
 3 SECTION  
 5 SECTION



4 SECTION



5 PART PLAN FOR CURTAIN WALL

6 PART PLAN FOR CURTAIN WALL

- LEGEND:
- ① 10mm THK. HEAT STRENGTHENED GLASS (OUTSIDE) + 12mm AIR SPACE + 12mm THK. TEMPERED GLASS
  - ② 10mm THK. HEAT STRENGTHENED GLASS (OUTSIDE) + 12mm AIR SPACE + 10mm THK. TEMPERED GLASS
  - ③ 12mm THK. HEAT STRENGTHENED GLASS
  - ④ 12mm THK. CLEAR TEMPERED GLASS (INTERNAL PROTECTIVE BARRIER)
  - ⑤ 10mm THK. HEAT STRENGTHENED GLASS (OUTSIDE) + 12mm AIR SPACE + 12mm THK. TEMPERED GLASS WITH REFLECTIVE COATING
  - ⑥ 10mm THK. CLEAR TEMPERED GLASS
  - ⑦ 8mm THK. HEAT-STRENGTHENED GLASS + 2mm PVB + 8mm THK. CLEAR HEAT-STRENGTHENED GLASS
  - ⑧ 3 mm THK. ALUM. BACKPAN
  - S.F.L. STACK JOINT
  - ⊗ RESTRAINT SOCKET

B.D. REF :

CLIENT : 蘇州置業有限公司  
Sino Land Company Limited

ARCHITECT : Ronald Lu & Partners  
Ronald Lu & Partners (HK) Ltd.  
呂宗利建築師事務所 (香港) 有限公司

MAIN CONTRACTOR : Gammon

STRUCTURAL ENGINEER : AECOM

FAÇADE CONSULTANT: AECOM

NOTE:  
1. ALL DIMENSIONS ARE IN MM.  
2. ALL ELEVATIONS ARE VIEWED FROM OUTSIDE.  
3. ALL DIMENSIONS TO BE VERIFIED ON SITE BEFORE FABRICATION.

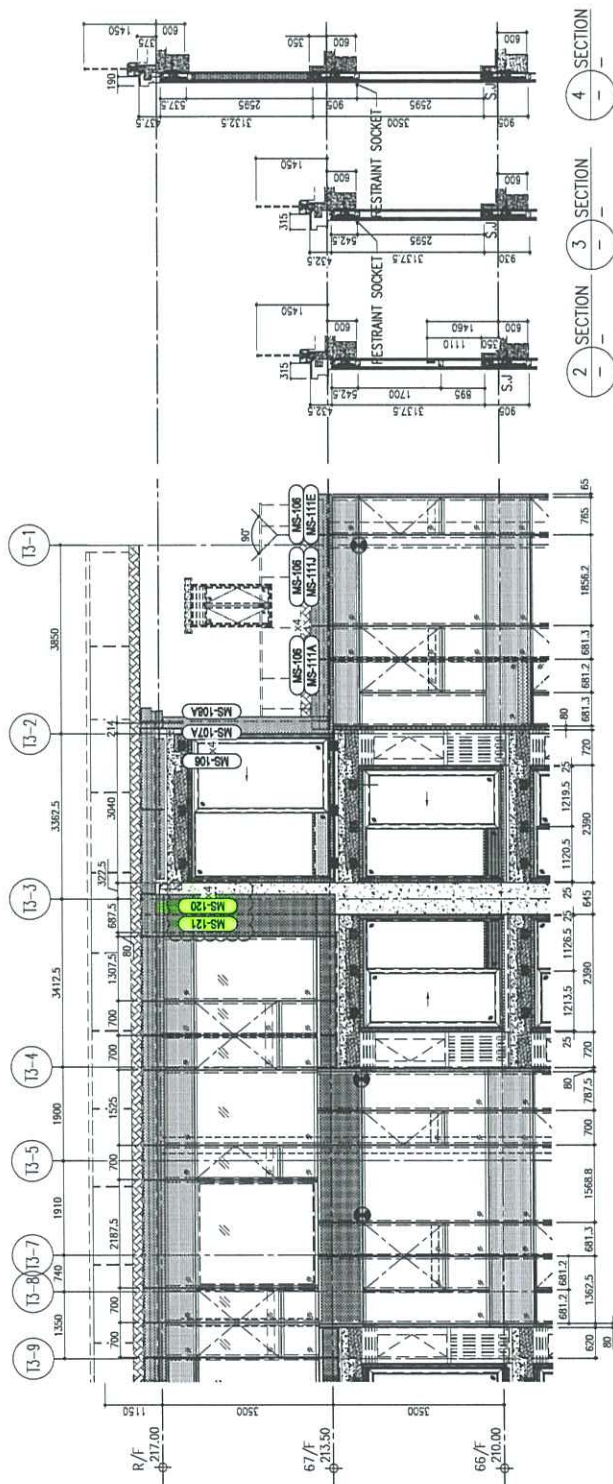
LEGEND:  
① DETAIL MARK NO.  
② REFER SHEET NO.  
1. F.F.L. -- FINISHED FLOOR LEVEL  
2. S.F.L. -- STRUCTURAL FLOOR LEVEL  
3. Ⓜ -- REVERSED DETAIL

E 12/04/23	REVISED AS PER COMMENTS	LS
D 10/05/23	REVISED AS PER COMMENTS	LS
C 24/02/23	REVISED AS PER COMMENTS	LS
B 12/01/23	REVISED AS PER COMMENTS	LS
A 12/01/22	REVISED AS PER COMMENTS	LS
REV.	ISSUED	BY

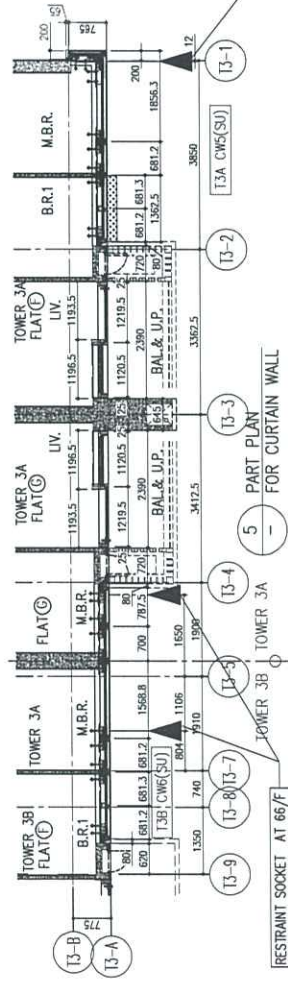
JOB NO. : J-858  
PROJECT : PROPOSED RESIDENTIAL DEVELOPMENT  
AT TOWER 709P, PHASE 11, LOMAS PARK  
TSUNG KWAN O, N.T.

TITLE : PENTHOUSE FLOOR PARTIAL  
ELEVATION & SECTION PLAN  
FOR CURTAIN WALL (TOWER 3)

DATE : 22-OCT-21  
SCALE : 1:50(A1)  
DRAWN BY :  
CHECKED BY :  
MIDI International Corporation  
810 Chee Koo Road, Kembangan, 1/7  
Tel: 623489711-4 Fax: 6232727666  
DWG NO. : J858-CW-PE320  
REV. : E

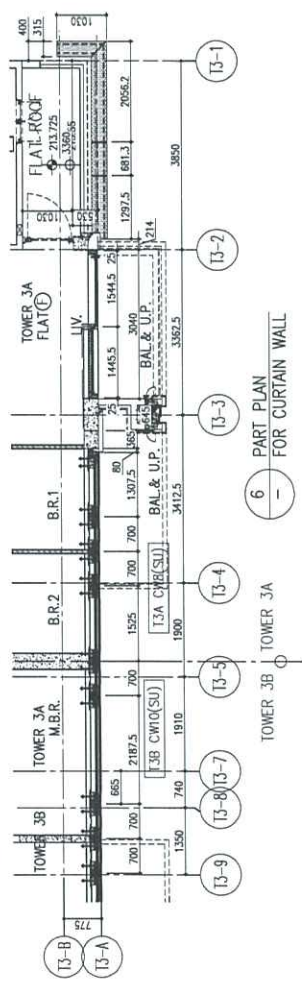


1 PART ELEVATION FOR CURTAIN WALL



RESTRAINT SOCKET AT 66/F

5 PART PLAN FOR CURTAIN WALL



RESTRAINT SOCKET AT 67/F

6 PART PLAN FOR CURTAIN WALL

LEGEND:

- ① 10mm THK. HEAT STRENGTHENED GLASS (OUTSIDE) + 12mm AIR SPACE + 12mm THK. TEMPERED GLASS
- ② 10mm THK. HEAT STRENGTHENED GLASS (OUTSIDE) + 12mm AIR SPACE + 10mm THK. TEMPERED GLASS
- ③ 12mm THK. HEAT STRENGTHENED GLASS
- ④ 12mm THK. CLEAR TEMPERED GLASS ( INTERNAL PROTECTIVE BARRIER )
- ⑤ 10mm THK. HEAT STRENGTHENED GLASS (OUTSIDE) + 12mm AIR SPACE + 12mm THK. TEMPERED GLASS WITH REFLECTIVE COATING
- ⑥ 10mm THK. CLEAR TEMPERED GLASS
- ⑦ 8mm THK. CLEAR HEAT-STRENGTHENED GLASS + 12mm AIR SPACE + 8mm THK. CLEAR HEAT-STRENGTHENED GLASS
- ⑧ 3 mm THK. ALUM. CLADDING
- ⑨ 3 mm THK. ALUM. BACKPAN
- S.F.L. STACK JOINT
- Ⓜ RESTRAINT SOCKET