



工程指示 / 要求簡箋(E.I.)

工程指示編號：EI / 7032 / 23

修改版次：A

工程編號：J - 858

工程名稱：將軍澳日出康城 11

工程項目：(特色層) 後裝 FD 門 廠用 鐵件 共 12 件 跟 12 號門窗圖

收件人：Maggie / 生統

發件人：Ant Yeung

日期：27/11/2023

要求提供 / 確認 事項：

- | | | |
|------------------------------------|-------------------------------------|-------------------------------|
| <input type="checkbox"/> 初步鋁料 B.M. | <input type="checkbox"/> 加工拆圖，然後生產 | <input type="checkbox"/> 尺寸表 |
| <input type="checkbox"/> 正式鋁料 B.M. | <input type="checkbox"/> 技術上資料 / 指示 | <input type="checkbox"/> 報價 |
| <input type="checkbox"/> 配件 B.M. | <input type="checkbox"/> 樣辦或貨品說明書 | <input type="checkbox"/> 分判合約 |

內容：

A 版：鐵件改送廠組裝。

請按加工圖生產，送地盤安裝。(FD 門用)

附上 BM 單。

1. 需要 驗焊 (100% visual, 10% MPI) For Curtain Wall
2. 出貨前，請給 Mill Cert 和熱浸 Cert
3. 沿水油厚度 符合 EI5136 指示 100um
4. 需油瀝青油
5. 分座打扎
6. 跟 F.D 門 / 梗門 (頂底) 5004a 及 F.D 門加百葉 (左右) 6006a 圖紙

請在 2023.12.04 前完成上列要求。

附： 頁

以上項目為：

- 原合約工程包 原合約工程加 / 減賬 新工程報價

原因：-

分發東莞各部門：

- | | | | |
|--|---|--|--|
| <input type="checkbox"/> 生產技術總監 <input type="checkbox"/> 連附件 | <input checked="" type="checkbox"/> 技術部 <input checked="" type="checkbox"/> 連附件 | <input type="checkbox"/> 生產部 <input type="checkbox"/> 連附件 | <input type="checkbox"/> 機械設計部 <input type="checkbox"/> 連附件 |
| <input type="checkbox"/> 採購部 <input type="checkbox"/> 連附件 | <input checked="" type="checkbox"/> 生產統籌部 <input checked="" type="checkbox"/> 連附件 | <input checked="" type="checkbox"/> 小羅 & 清 <input checked="" type="checkbox"/> 連附件 | |
| <input type="checkbox"/> 質檢部 <input type="checkbox"/> 連附件 | <input type="checkbox"/> 會計部 <input type="checkbox"/> 連附件 | <input type="checkbox"/> 報關組 <input type="checkbox"/> 連附件 | <input type="checkbox"/> 其他 _____ <input type="checkbox"/> 連附件 |

分發香港各部門：

- | | | | |
|---|--|---|---|
| <input type="checkbox"/> 行政部 <input type="checkbox"/> 連附件 | <input type="checkbox"/> 會計部 <input type="checkbox"/> 連附件 | <input type="checkbox"/> 統籌部 <input type="checkbox"/> 連附件 | <input checked="" type="checkbox"/> 工程部地盤科文 <input checked="" type="checkbox"/> 連附件 |
| <input checked="" type="checkbox"/> 採購部 <input checked="" type="checkbox"/> 連附件 | <input type="checkbox"/> QS 部 <input type="checkbox"/> 連附件 | <input type="checkbox"/> 維修部 <input type="checkbox"/> 連附件 | <input type="checkbox"/> 其他 _____ <input type="checkbox"/> 連附件 |

傳遞編號：

HK 274 / 23

發件人簽署：

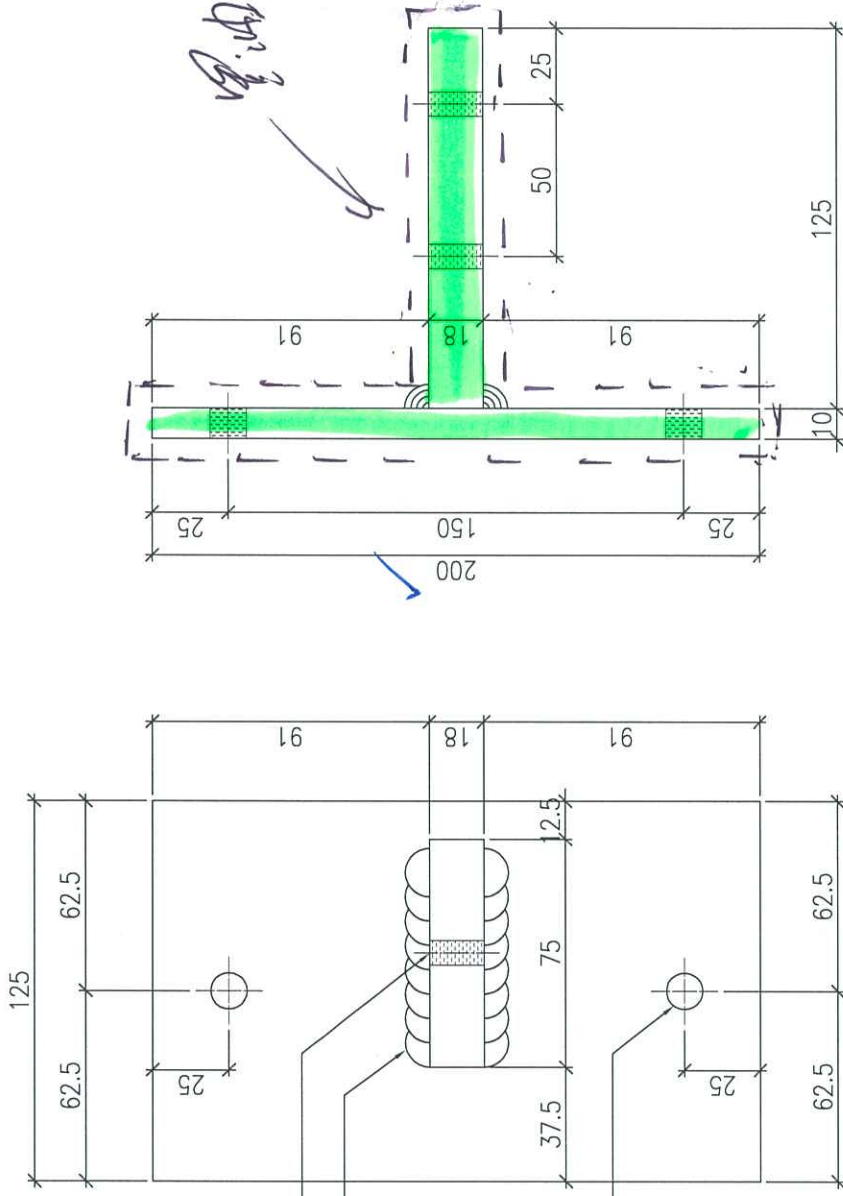
項目經理簽署：



美特鋁質有限公司
MIDI Aluminium Fabricator Ltd.

工程號:	J-858	計算:	I.H.	日期:	21/11/2023	送呈:	Jason哥	
地盤名稱:	康城11期	核對:		日期:		副本:		
項目類別:	后裝FD門位置	批准:		日期:				
BM編號:	類別: 后裝FD門位置鉄料						總重量(kg):	39.45

序號	修改標示	配件圖號	物料編號	配件名稱	顏色	實用	後備	總數	單件重量		備注	
									單位	Kg		
1		J858-ST55	J858-ST55	200x10mm 鐵碼 (S-275)	熱浸鋅	10	2	12	件	3.29	39.45	送工廠
2												
3												
4												
5												
6												
7												
8												
9												
10												
11												
12												
13												
14												
15												
16												
17												
18												
19												
20												
21												
				合計		10	2	12	件		39.45	



Detail 6006
5004

修
146螺絲

修M10

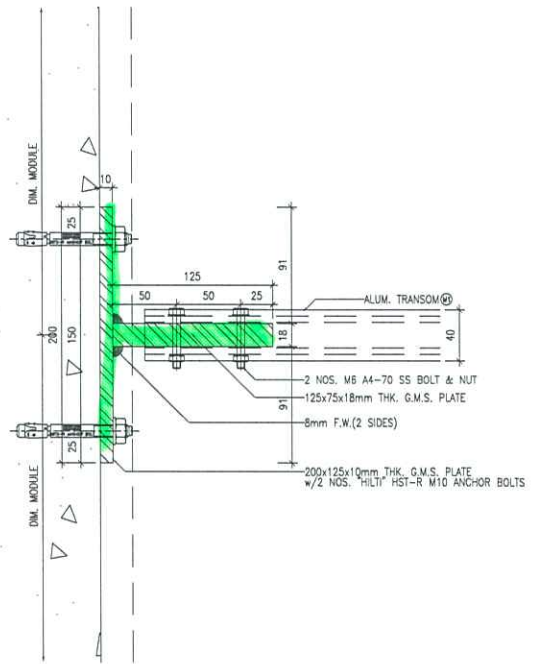
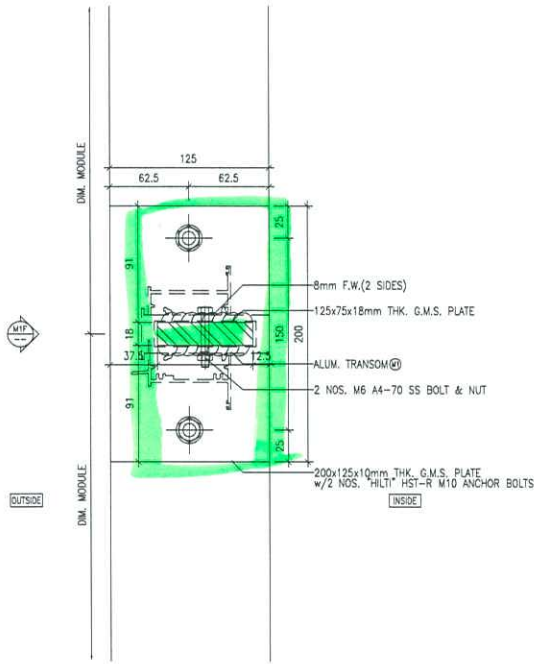
T1
T2
T3

各備2件。
分裝 打整

共12個

Remarks:	Checked: J.L.	Description: 200x10mm 鐵石碼	Delivery to Rev.:	Date:	Amendments:
Project Name: 康城11期	Date: 02-11-2023	Material: S275	Factory		
Shop Drawing No. PRE-CAST ALUM. WINDOW & LOUVER	Drawn: I.H.	Finish: 熱浸鋅	Tolerance: ±0.5	Site	Assembly No. J858-ST55
Rev.:	Date: 02-11-2023		Projection:	Rev.	

F.O.P. 用



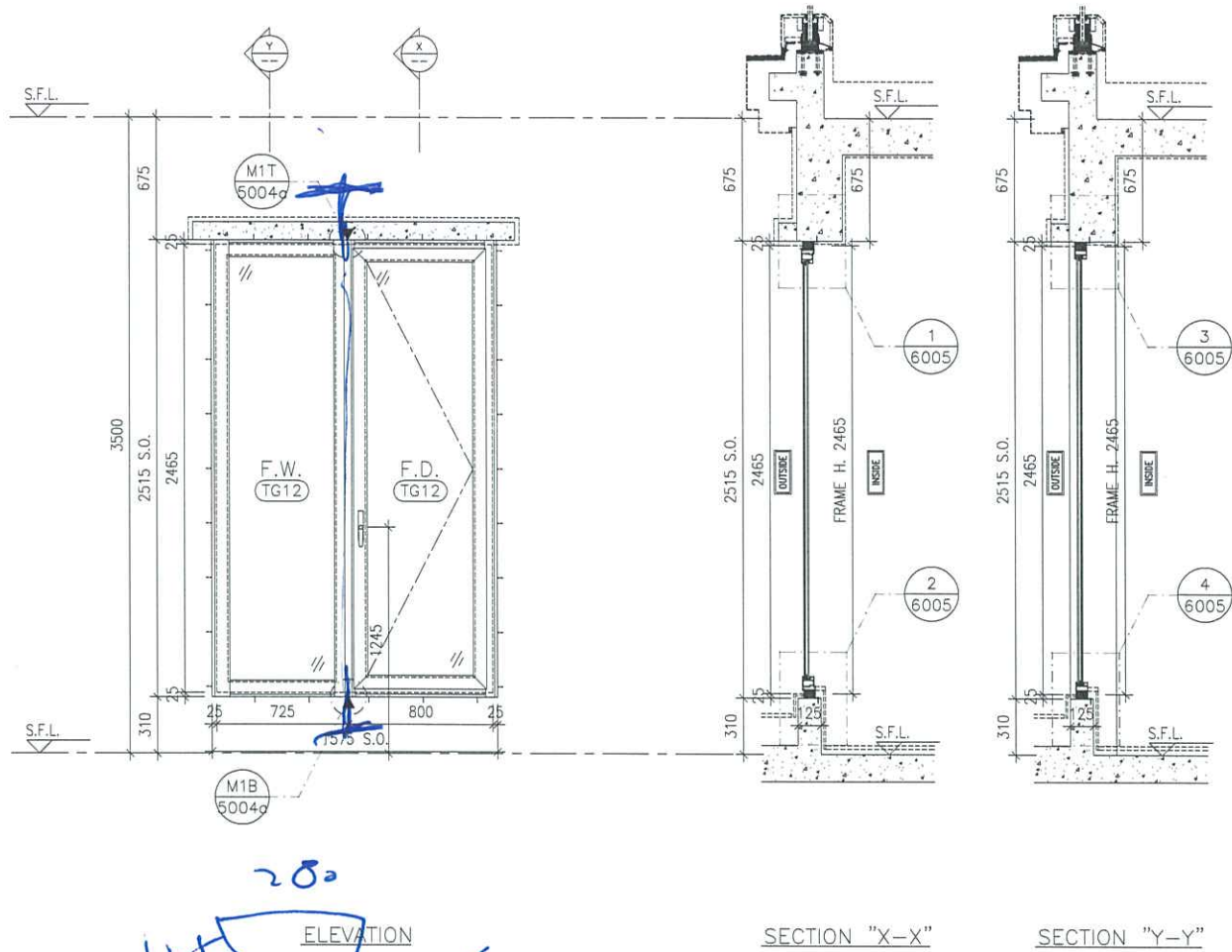
1 VERTICAL DETAIL
6006 SIDE FIXING DETAIL FOR M1

VIEW "M1F"

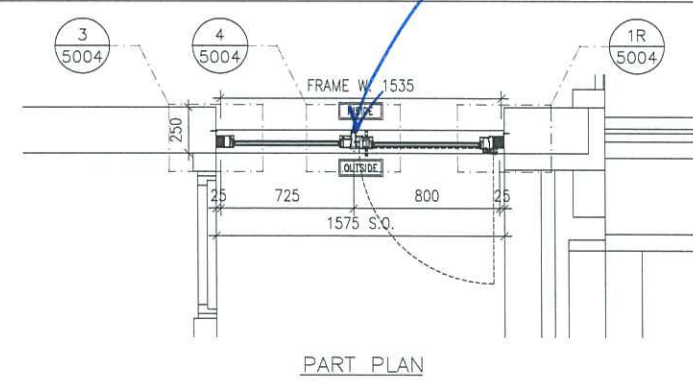
下. 6月 24日 等 (左右)

B.O. REF. :		
CLIENT : 信和置业有限公司 Sho Land Company Limited		
PROJECT : ronald lu & partners Ronald Lu & Partners (HK) Ltd. 呂宗祥建築師事務所 (信和) 有限公司		
MAIN CONTRIBUTOR :		
STRUCTURAL ENGINEER : Gammmon AECOM		
FAÇADE CONSULTANT: AECOM		
NOTE : 1. ALL DIMENSIONS ARE IN mm. 2. ALL ELEVATIONS ARE VIEWED FROM OUTSIDE. 3. ALL DIMENSIONS TO BE VERIFIED ON SITE BEFORE FABRICATION.		
LEGEND : M1 --- DETAIL WORK NO. 6006 --- REFER SHEET NO.		
1. F.F.L. --- FINISHED FLOOR LEVEL 2. S.F.L. --- STRUCTURAL FLOOR LEVEL 3. --- REVERSED DETAIL.		
NO.	DATE	REVISION
IDIA NO. : J-0558		
PROJECT : CLOSED RESIDENTIAL DEVELOPMENT AT TROPIC ZONE, PHASE 11, LOHAS PARK, TSEUNG KWAN O, N.T.		
TITLE : IN-SITU ALUM. WINDOW TYPICAL DETAILS		
DATE : 04-OCT-21	SCALE : 1:40	
DRAWN BY :	CHECKED BY :	
MIDI Aluminium Manufacturer Ltd. Units G-R, Sunny Industrial Centre, V/F 613 Chee Koo Ling Road, Tseung Kwan O (852) 26291111, (852) 26291766 (WH. NO. : 8526-W-6006a)		
REV. :		

ELEVATION/
PART PLAN/
SECTION

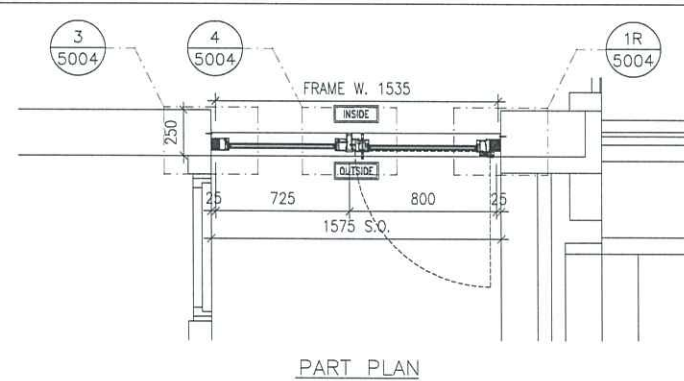


280
125
ELEVATION



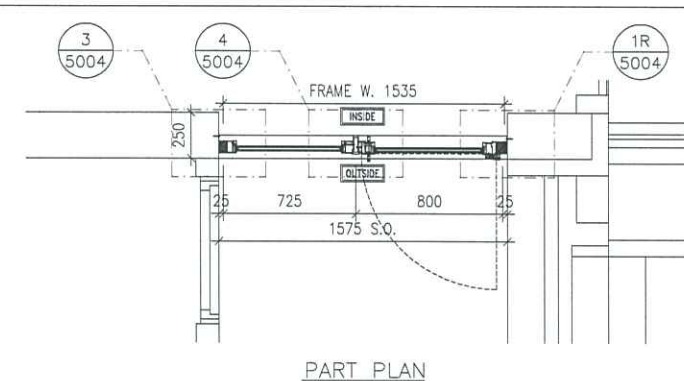
PART PLAN

11



PART PLAN

12



PART PLAN

13

B.D. REF :

CLIENT :

信和置業有限公司
Sino Land Company Limited

ARCHITECT :

ronald lu & partners
Architects, Planners, Interior Designers
Ronald Lu & Partners (HK) Ltd.
呂元祥建築師事務所 (香港) 有限公司

MAIN CONTRACTOR :

Gammon

STRUCTURAL ENGINEER :

AECOM

FACADE CONSULTANT:

AECOM

NOTE :

1. ALL DIMENSIONS ARE IN mm.
2. ALL ELEVATIONS ARE VIEWED FROM OUTSIDE.
3. ALL DIMENSIONS TO BE VERIFIED ON SITE BEFORE FABRICATION.

LEGEND :

- (X1) --- DETAIL MARK NO.
- (X001) --- REFER SHEET NO.

1. F.F.L. --- FINISHED FLOOR LEVEL
2. S.F.L. --- STRUCTURAL FLOOR LEVEL
3. (R) --- REVERSED DETAIL

NO.	DATE	REVISION	BY
D	25-10-2023	REVISED AS PER ARCHITECT COMMENTS	MN
C	13-10-2023	REVISED AS PER ARCHITECT COMMENTS	MN
B	30-08-2023	REVISED AS PER ARCHITECT COMMENTS	MN
A	11-08-2023	REVISED AS PER ARCHITECT COMMENTS	MN

JOB NO. : J-858

PROJECT :
PROPOSED RESIDENTIAL DEVELOPMENT
AT TKOTL 70RP, PHASE 11, LOHAS PARK
TSEUNG KWAN O, N.T.

TITLE :
IN-SITU ALUM. WINDOW
ALUM. WINDOW SCHEDULE
AT SPECIAL UNITS FLOOR

DATE : 04-OCT-21 SCALE : 1:40

DRAWN BY : CHECKED BY :

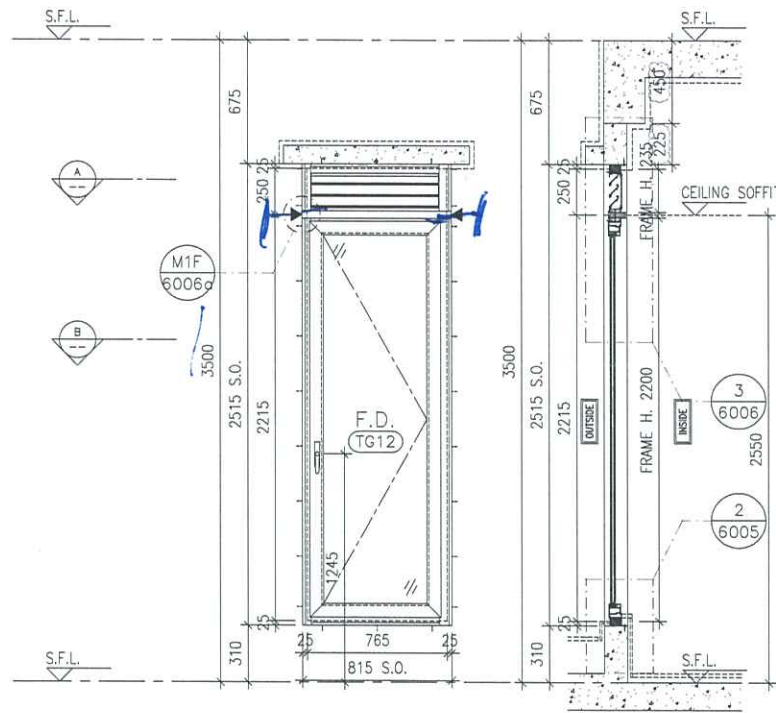
美特鋁質有限公司
MIDI ALUMINIUM FABRICATOR LTD.
Units 6-8, Sunray Industrial Centre, 1/F
610 Cha Kwo Ling Road, Kowloon
Tel:23489211-4 Fax:(852)2727666

DWG NO. : J858-IW-2103c REV. : D

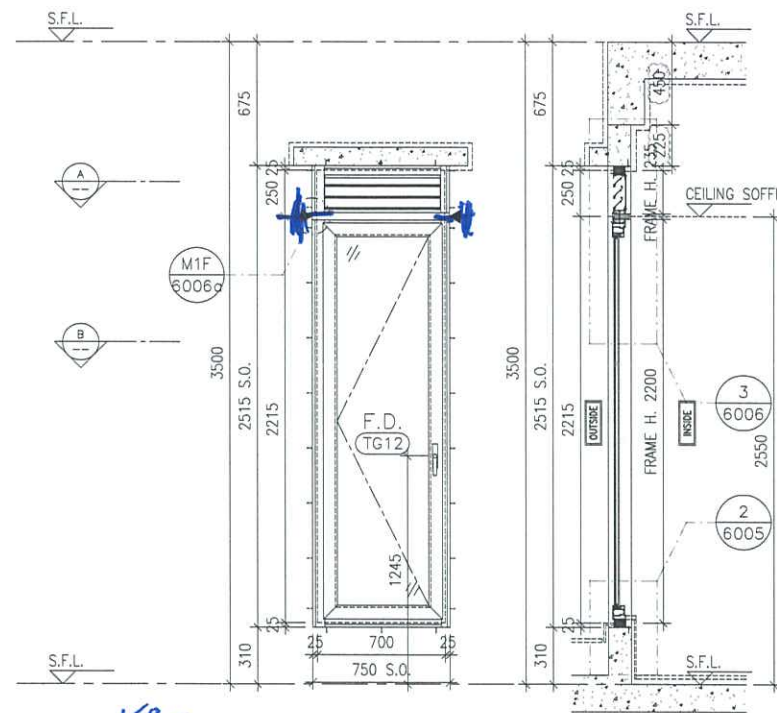
GLAZING AREA:	Required =	Provided =	GLAZING AREA:	Required =	Provided =	GLAZING AREA:	Required =	Provided =
OPENABLE AREA:	2.542	1.9387	OPENABLE AREA:	2.689	1.9387	OPENABLE AREA:	2.689	1.9387
	2.030	1.6415		2.006	1.6415		2.012	1.6415

WINDOW MARK	LOCATION	SECTION	GLAZING	QUANTITY	REMARKS
(T1B-B) (D-1)	TOWER 1(1B) FLAT B DINNING ROOM(62/F)	65mm ALUM. SECTION WITH PVF2 COATING(SLIVER CHAMPAGNE COLOUR)	8mm THK. CLEAR TEMPERED GLASS+12mm AIR+8mm THK. CLEAR TEMPERED GLASS IGU	1 NO.	
(T2B-B) (D-1)	TOWER 2(2B) FLAT B DINNING ROOM(67/F)	65mm ALUM. SECTION WITH PVF2 COATING(SLIVER CHAMPAGNE COLOUR)	8mm THK. CLEAR TEMPERED GLASS+12mm AIR+8mm THK. CLEAR TEMPERED GLASS IGU	1 NO.	
(T3B-B) (D-1)	TOWER 3(3B) FLAT B DINNING ROOM(67/F)	65mm ALUM. SECTION WITH PVF2 COATING(SLIVER CHAMPAGNE COLOUR)	8mm THK. CLEAR TEMPERED GLASS+12mm AIR+8mm THK. CLEAR TEMPERED GLASS IGU	1 NO.	

ELEVATION/
PART PLAN/
SECTION

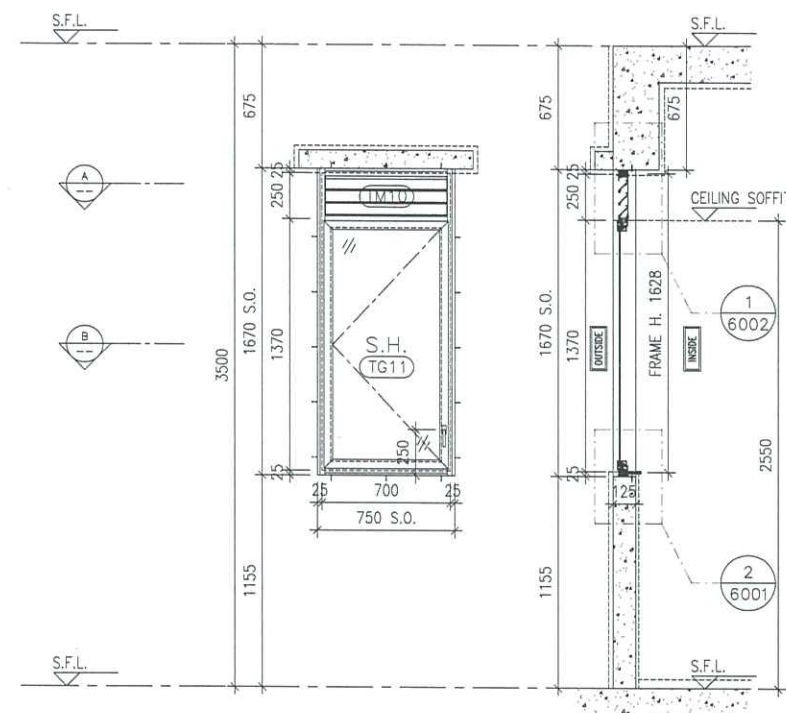


ELEVATION SECTION

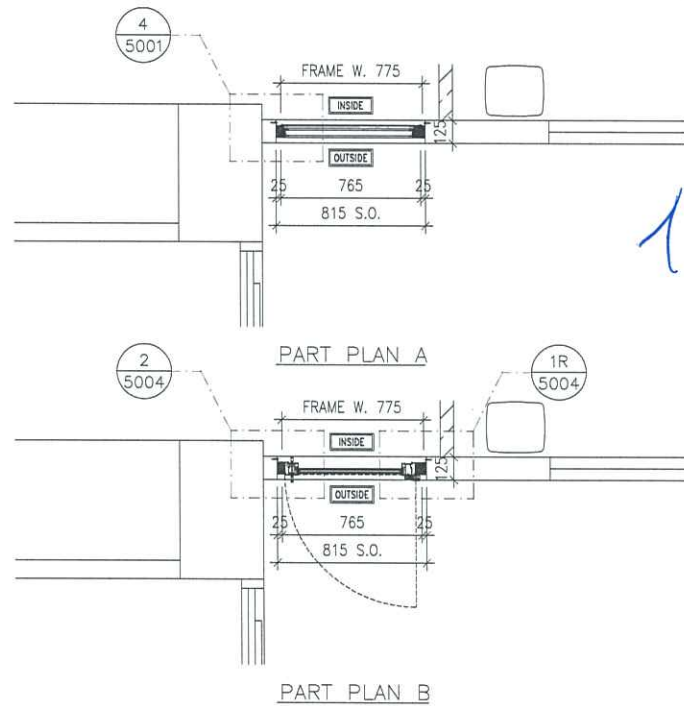


ELEVATION SECTION

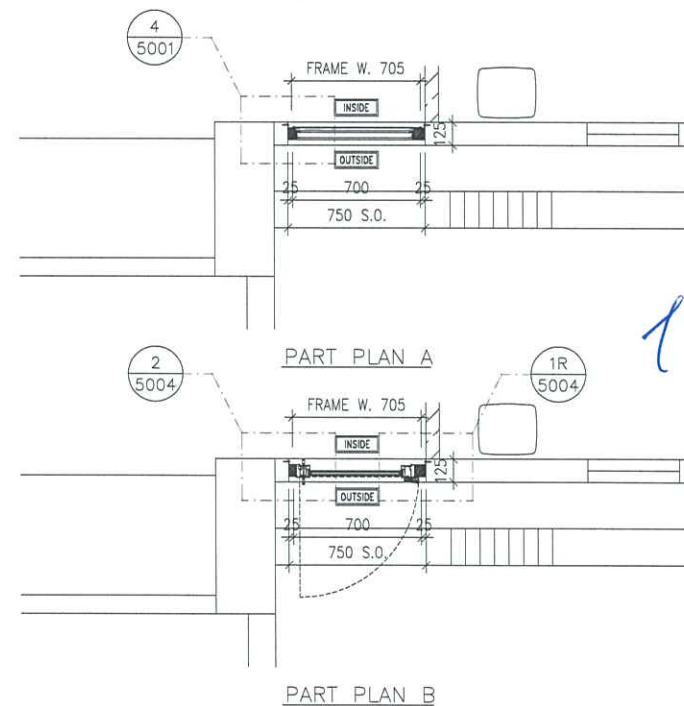
280
100
125



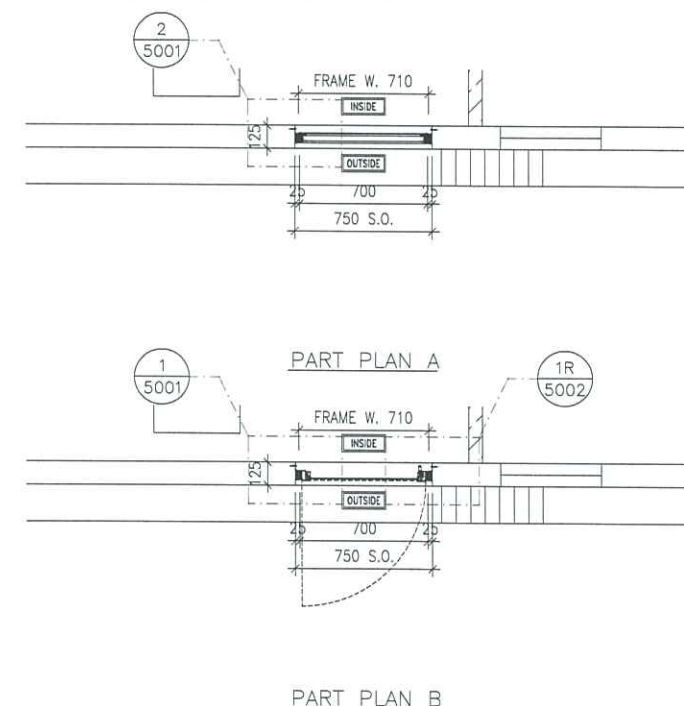
ELEVATION SECTION



PART PLAN A
PART PLAN B



PART PLAN A
PART PLAN B



PART PLAN A
PART PLAN B

GLAZING AREA:	Required = 0.847	Provided = 0.7862
OPENABLE AREA:	Required = 0.530	Provided = 1.4331

GLAZING AREA:	Required = 0.772	Provided = 0.6959
OPENABLE AREA:	Required = 0.482	Provided = 1.2790

GLAZING AREA:	Required = 0.606	Provided = 0.7315
OPENABLE AREA:	Required = 0.379	Provided = 0.8297

WINDOW MARK	$\frac{11B-A}{K-1}$	$\frac{12B-A}{K-1}$	$\frac{13B-A}{K-1}$
LOCATION	TOWER 1(1B) FLAT A KITCHEN(62/F)	TOWER 2(2B) FLAT A KITCHEN(67/F)	TOWER 3(3B) FLAT A KITCHEN(67/F)
SECTION	65mm ALUM. SECTION WITH PVF2 COATING(SLIVER CHAMPAGNE COLOUR)	65mm ALUM. SECTION WITH PVF2 COATING(SLIVER CHAMPAGNE COLOUR)	50mm ALUM. SECTION WITH PVF2 COATING(SLIVER CHAMPAGNE COLOUR)
GLAZING	8mm THK. CLEAR TEMPERED GLASS+12mm AIR+8mm THK. CLEAR TEMPERED GLASS IGU	8mm THK. CLEAR TEMPERED GLASS+12mm AIR+8mm THK. CLEAR TEMPERED GLASS IGU	6mm THK TEMPERED GLASS
QUANTITY	1 NO.	1 NO.	1 NO.
REMARKS	FREE AREA (%) : 21.08/32.78 = 0.6431 = 64.31%	FREE AREA (%) : 21.08/32.78 = 0.6431 = 64.31%	FREE AREA (%) : DUMMY LOUVER

B.D. REF :

CLIENT :
信和置業有限公司
Sino Land Company Limited

ARCHITECT :
ronald lu & partners
Architects Planners Interior Designers
Ronald Lu & Partners (HK) Ltd.
呂元祥建築師事務所 (香港) 有限公司

MAIN CONTRACTOR :
Gammon

STRUCTURAL ENGINEER :
AECOM

FACADE CONSULTANT:
AECOM

NOTE :

- ALL DIMENSIONS ARE IN mm.
- ALL ELEVATIONS ARE VIEWED FROM OUTSIDE.
- ALL DIMENSIONS TO BE VERIFIED ON SITE BEFORE FABRICATION.

LEGEND :

X1 --- DETAIL MARK NO.
X001 --- REFER SHEET NO.

- F.F.L. --- FINISHED FLOOR LEVEL
- S.F.L. --- STRUCTURAL FLOOR LEVEL
- (/R) --- REVERSED DETAIL

NO.	DATE	REVISED	BY
E	25-10-2023	REVISED AS PER ARCHITECT COMMENTS	MN
D	13-10-2023	REVISED AS PER ARCHITECT COMMENTS	MN
C	28-09-2023	REVISED AS PER ARCHITECT COMMENTS	MN
B	30-08-2023	REVISED AS PER ARCHITECT COMMENTS	MN
A	11-08-2023	REVISED AS PER ARCHITECT COMMENTS	MN

JOB NO. : J-858

PROJECT :
PROPOSED RESIDENTIAL DEVELOPMENT
AT TKOTL 70RP, PHASE 11, LOHAS PARK
TSEUNG KWAN O, N.T.

TITLE :
IN-SITU ALUM. WINDOW
ALUM. WINDOW SCHEDULE
AT SPECIAL UNITS FLOOR

DATE : 04-OCT-21 SCALE : 1:40

DRAWN BY : CHECKED BY :

美特鋁質有限公司
MIDI ALUMINIUM FABRICATOR LTD.
Units 6-8, Sunray Industrial Centre, 1/F
610 Cha Kwo Ling Road, Kowloon
Tel:23489211-4 Fax:(852)27727666

DWG NO. : J858-IW-2102b REV. : E