



工程指示 / 要求簡箋(E.I.)

工程指示編號：EI/6960/23

修改版次：-

工程編號：J-858

工程名稱：將軍澳日出康城

工程項目：T1-T3 特色層 Flat roof 趟門玻璃 BM 地盤用 (按 12th 門窗圖) 共 14 件

收件人：Maggie

發件人：Paul Wong

日期：08/11/2023

要求提供 / 確認 事項：

- | | | |
|------------------------------------|-------------------------------------|-------------------------------|
| <input type="checkbox"/> 初步鋁料 B.M. | <input type="checkbox"/> 加工拆圖，然後生產 | <input type="checkbox"/> 尺寸表 |
| <input type="checkbox"/> 正式鋁料 B.M. | <input type="checkbox"/> 技術上資料 / 指示 | <input type="checkbox"/> 報價 |
| <input type="checkbox"/> 配件 B.M. | <input type="checkbox"/> 樣辦或貨品說明書 | <input type="checkbox"/> 分判合約 |

內容：

請按玻璃 BM 生產玻璃送地盤。(14 件玻璃) T1, 62/F T2, 67/F T3, 67/F

1. 請排期生產、熱浸、和包箱 (分座打扎) 包箱

2. IGU: 標籤在室內面 (注明尺寸)

3. 按 MTR 業主要求，需做 QR Code 追蹤玻璃。

4. 不要印上熱浸標纖。只給"可移除"的標纖

5. 玻璃以負公差生產

6. 依 EI-4999 玻璃熱浸標籤指示

7. 用 3M 保護膠紙

謝謝

請在 2024.2.2 前完成上列要求。

附：BM excel, 參考 BM, 加工圖, 位置圖

分發東莞各部門：

- | | | | | | | | |
|---------------------------------|------------------------------|--------------------------------|------------------------------|-------------------------------|------------------------------|--------------------------------|------------------------------|
| <input type="checkbox"/> 生產技術總監 | <input type="checkbox"/> 連附件 | <input type="checkbox"/> 技術部 | <input type="checkbox"/> 連附件 | <input type="checkbox"/> 生產部 | <input type="checkbox"/> 連附件 | <input type="checkbox"/> 機械設計部 | <input type="checkbox"/> 連附件 |
| <input type="checkbox"/> 採購部 | <input type="checkbox"/> 連附件 | <input type="checkbox"/> 生產統籌部 | <input type="checkbox"/> 連附件 | <input type="checkbox"/> 小羅&清 | <input type="checkbox"/> 連附件 | | |
| <input type="checkbox"/> 質檢部 | <input type="checkbox"/> 連附件 | <input type="checkbox"/> 會計部 | <input type="checkbox"/> 連附件 | <input type="checkbox"/> 報關組 | <input type="checkbox"/> 連附件 | <input type="checkbox"/> 其他 | <input type="checkbox"/> 連附件 |

分發香港各部門：


- | | | | | | | | |
|---|---|-------------------------------|------------------------------|------------------------------|------------------------------|--|---|
| <input type="checkbox"/> 行政部 | <input type="checkbox"/> 連附件 | <input type="checkbox"/> 會計部 | <input type="checkbox"/> 連附件 | <input type="checkbox"/> 統籌部 | <input type="checkbox"/> 連附件 | <input checked="" type="checkbox"/> 工程部地盤科文 二寶, 積哥 | <input checked="" type="checkbox"/> 連附件 |
| <input checked="" type="checkbox"/> 採購部 | <input checked="" type="checkbox"/> 連附件 | <input type="checkbox"/> QS 部 | <input type="checkbox"/> 連附件 | <input type="checkbox"/> 維修部 | <input type="checkbox"/> 連附件 | <input type="checkbox"/> 其他 | <input type="checkbox"/> 連附件 |

傳遞編號：

HK / 23

發件人簽署：

項目經理簽署：

 美特鋁質 有限公司 MIDI Aluminium Fabricator Ltd.		工程號: J-858	計算: I. H.	日期: 2/11/2023	送呈: Ant						
地盤名稱: 康城11期		核對:	日期:	副本:							
項目類別: 推拉門		批准:	日期:	A/C Code:							
修改版次:		總計玻璃面積 (平方米): 26.19			此BM依據						
BM編號:											
序號	修改內容	玻璃編號	顏色與類型	玻璃尺寸		數量 (塊)	總面積 (平方米)	備注			
				寬度W (mm)	高度H (mm)						
1		GL01-S01-01	GL01: 10mm THK. CLEAR TEMPERED GLASS +12mm AIR +12mm THK. CLEAR TEMPERED GLASS (R20220114001)	872	2217	4	7.73	GL01-S01			
2		GL01-S01-01a	GL01: 10mm THK. CLEAR TEMPERED GLASS +12mm AIR +12mm THK. CLEAR TEMPERED GLASS (R20220114001)	840	2368	4	7.96	GL01-S01			
3		GL01-S01-02	GL01: 10mm THK. CLEAR TEMPERED GLASS +12mm AIR +12mm THK. CLEAR TEMPERED GLASS (R20220114001)	777	2217	2	3.45	GL01-S01			
4		GL01-S01-02a	GL01: 10mm THK. CLEAR TEMPERED GLASS +12mm AIR +12mm THK. CLEAR TEMPERED GLASS (R20220114001)	745	2368	2	3.53	GL01-S01			
5		GL01-S01-03	GL01: 10mm THK. CLEAR TEMPERED GLASS +12mm AIR +12mm THK. CLEAR TEMPERED GLASS (R20220114001)	785	2217	1	1.74	GL01-S01			
6		GL01-S01-03a	GL01: 10mm THK. CLEAR TEMPERED GLASS +12mm AIR +12mm THK. CLEAR TEMPERED GLASS (R20220114001)	753	2368	1	1.78	GL01-S01			
7											
8											
9											
10				合計:		14	26				
<p>1).本表中所有玻璃對角線尺寸偏差要求不超過正負2mm。</p> <p>2).本表中所有玻璃要求粗磨邊及精磨邊處理並倒棱角。</p> <p>3).本表中不同種類玻璃參照玻璃加工圖加工。</p> <p>4).本表中所有強化玻璃均需HEAT SOAK TEST。</p> <p>5).本表中所有強化玻璃之入爐方向均以寬度方向進入。</p> <p>6).本表中所有玻璃成品均需注明室內外面及其玻璃編號，以便識別。繳</p>											
加工注意事項:											

B.D. REF :

CLIENT : Sino Land Company Limited

ARCHITECT : ronald lu & partners
Ronald Lu & Partners (HK) Ltd.
呂元祥建築師事務所 (香港) 有限公司

MAIN CONTRACTOR :

STRUCTURAL ENGINEER : AECOM

FACADE CONSULTANT: AECOM

NOTE:

1. ALL DIMENSIONS ARE IN mm.
2. ALL ELEVATIONS ARE VIEWED FROM OUTSIDE.
3. ALL DIMENSIONS ARE TO BE CHECKED ON SITE BEFORE FABRICATION.

LEGEND:

3R --- DETAIL MARK NO.
X000 --- REFER SHEET NO.

1. FFL --- FINISHED FLOOR LEVEL
2. SFL --- STRUCTURAL FLOOR LEVEL
3. --- REVERSED DETAIL

NO.	DATE	DESCRIPTION
C	28-09-2023	REVISED AS PER ARCHITECT COMMENTS
B	30-08-2023	REVISED AS PER ARCHITECT COMMENTS
A	11-08-2023	REVISED AS PER ARCHITECT COMMENTS
NO.	DATE	DESCRIPTION

JOB NO. : J-858

PROJECT : PROPOSED RESIDENTIAL DEVELOPMENT AT TKOTL 70RP, PHASE 11, LOHAS PARK TSEUNG KWAN O, N.T.

TITLE : IN-SITU ALUM. WINDOW ALUM. WINDOW SCHEDULE AT SPECIAL UNITS FLOOR

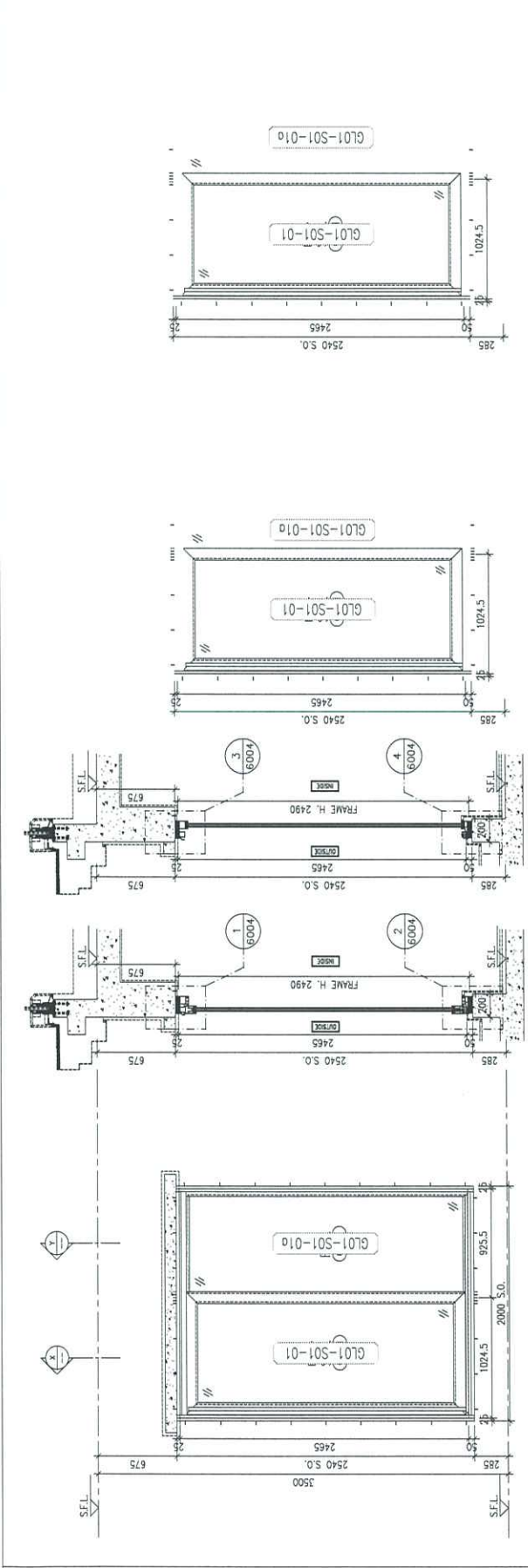
DATE : 04-OCT-21 SCALE : 1:40

DRAWN BY :

CHECKED BY :

MIDI ALUMINIUM FABRICATOR LTD.
Unit 6-B, Sunny Industrial Centre, 1/F
610 Chee Kwo Ling Road, Kowloon
Tel: 2489211-4 Fax: (852) 2727866

DWG NO. : JB58-IW-2101b REV. : C

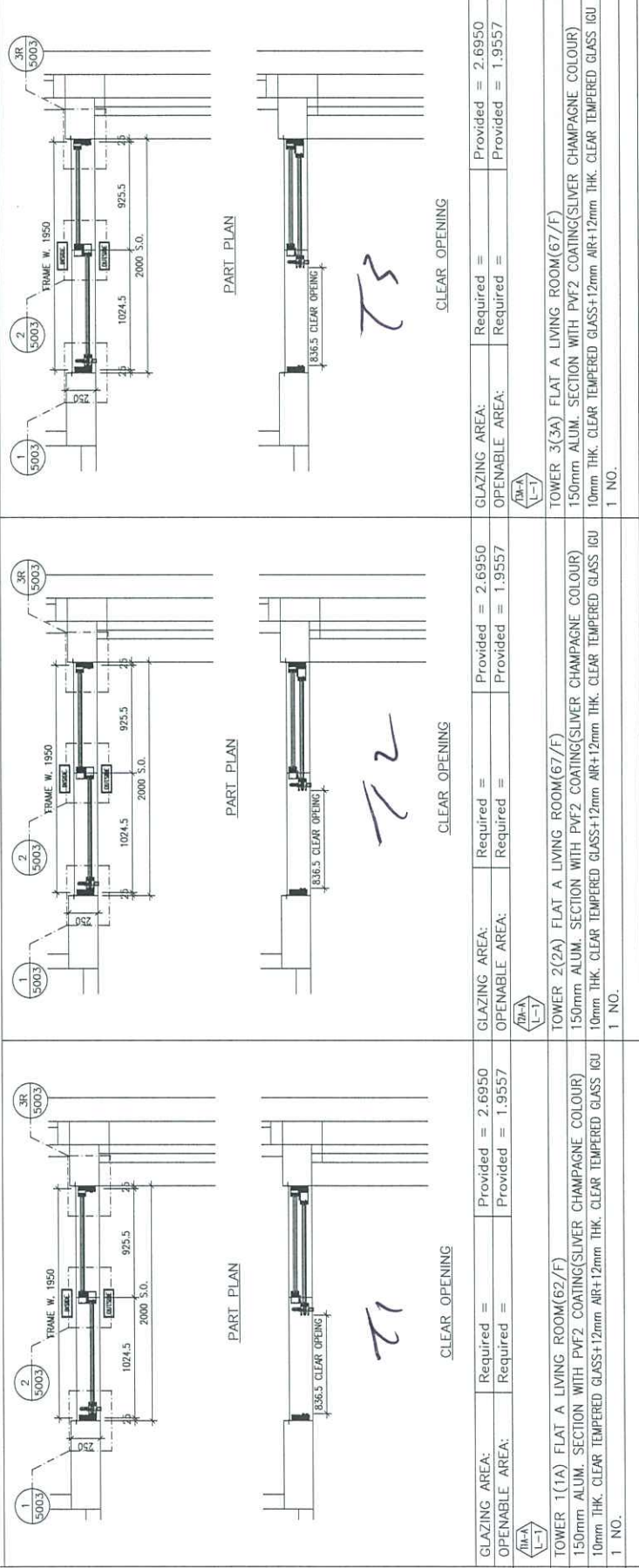


ELEVATION/
PART PLAN/
SECTION

SECTION "Y-Y"

SECTION "X-X"

ELEVATION



WINDOW MARK	LOCATION	SECTION	GLAZING	QUANTITY	REMARKS
(11-A)	TOWER 1(1A) FLAT A LIVING ROOM(62/F)	150mm ALUM. SECTION WITH PVF2 COATING(SILVER CHAMPAGNE COLOUR)	10mm THK. CLEAR TEMPERED GLASS+12mm AIR+12mm THK. CLEAR TEMPERED GLASS IGU	1 NO.	
(11-A)	TOWER 2(2A) FLAT A LIVING ROOM(67/F)	150mm ALUM. SECTION WITH PVF2 COATING(SILVER CHAMPAGNE COLOUR)	10mm THK. CLEAR TEMPERED GLASS+12mm AIR+12mm THK. CLEAR TEMPERED GLASS IGU	1 NO.	
(11-A)	TOWER 3(3A) FLAT A LIVING ROOM(67/F)	150mm ALUM. SECTION WITH PVF2 COATING(SILVER CHAMPAGNE COLOUR)	10mm THK. CLEAR TEMPERED GLASS+12mm AIR+12mm THK. CLEAR TEMPERED GLASS IGU	1 NO.	

GLAZING AREA:	Required =	Provided =
GLAZING AREA:	2.6950	2.6950
OPENABLE AREA:	Required =	Provided =
OPENABLE AREA:	1.9557	1.9557

GLAZING AREA:	Required =	Provided =
GLAZING AREA:	2.6950	2.6950
OPENABLE AREA:	Required =	Provided =
OPENABLE AREA:	1.9557	1.9557

GLAZING AREA:	Required =	Provided =
GLAZING AREA:	2.6950	2.6950
OPENABLE AREA:	Required =	Provided =
OPENABLE AREA:	1.9557	1.9557

B.D. REF :

CLIENT : Sino Land Company Limited

ARCHITECT : Ronald Lu & Partners
Ronald Lu & Partners (HK) Ltd.
呂元祥建築師事務所 (香港) 有限公司

MAIN CONTRACTOR :

STRUCTURAL ENGINEER : AECOM

FAÇADE CONSULTANT: AECOM

NOTE:
1. ALL DIMENSIONS ARE IN mm.
2. ALL ELEVATIONS ARE VIEWED FROM OUTSIDE.
3. ALL DIMENSIONS TO BE VERIFIED ON SITE BEFORE FABRICATION.

LEGEND:
① DETAIL MARK NO.
② REFER SHEET NO.
1. F.F.L. --- FINISHED FLOOR LEVEL
2. S.F.L. --- STRUCTURAL FLOOR LEVEL
3. Ⓣ --- REVERSED DETAIL

NO.	DATE	REVISION
1	24-08-2023	ISSUED AS FPO ARCHITECT COMMENTS
2	30-08-2023	ISSUED AS FPO ARCHITECT COMMENTS
3	11-09-2023	ISSUED AS FPO ARCHITECT COMMENTS
4	24-09-2023	ISSUED AS FPO ARCHITECT COMMENTS
5	17-08-2023	ISSUED AS FPO ARCHITECT COMMENTS

JOB NO. : J-858

PROJECT : PROPOSED RESIDENTIAL DEVELOPMENT AT TKOIL 70RP, PHASE 11, LOHAS PARK TSEUNG KWAN O, N.T.

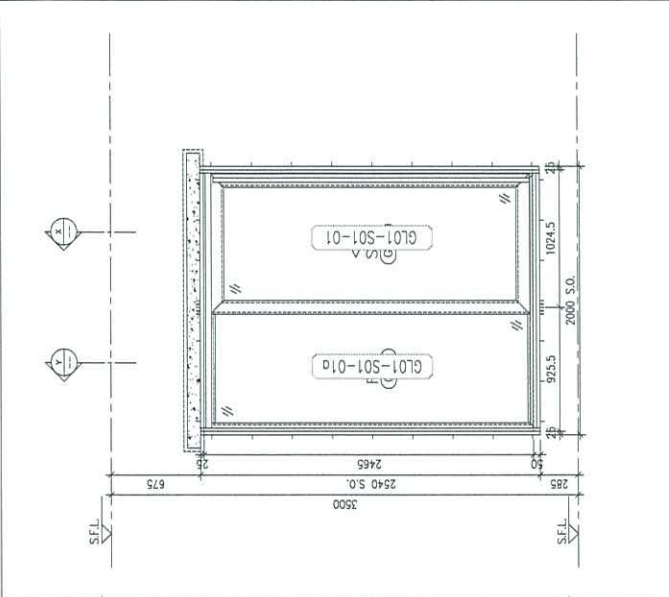
TITLE : IN-SITU ALUM. WINDOW ALUM. WINDOW SCHEDULE AT SPECIAL UNITS FLOOR

DATE : 04-OCT-21 SCALE : 1:40

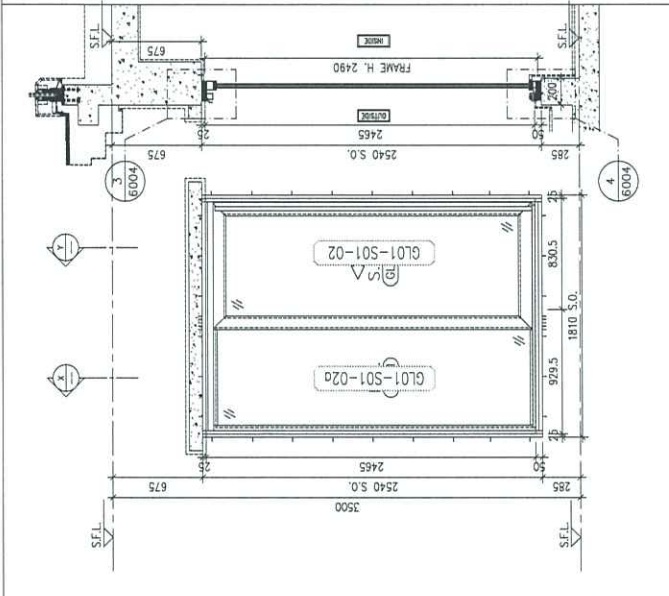
DRAWN BY :
CHECKED BY :

美特 智有限公司
MIDI Technology (HK) Ltd.
Units 6-R, Sunray Industrial Centre, 1/F
610 Cha Kwo Ling Road, Kowloon
Tel: 23489111-4 Fax: (852) 2727666

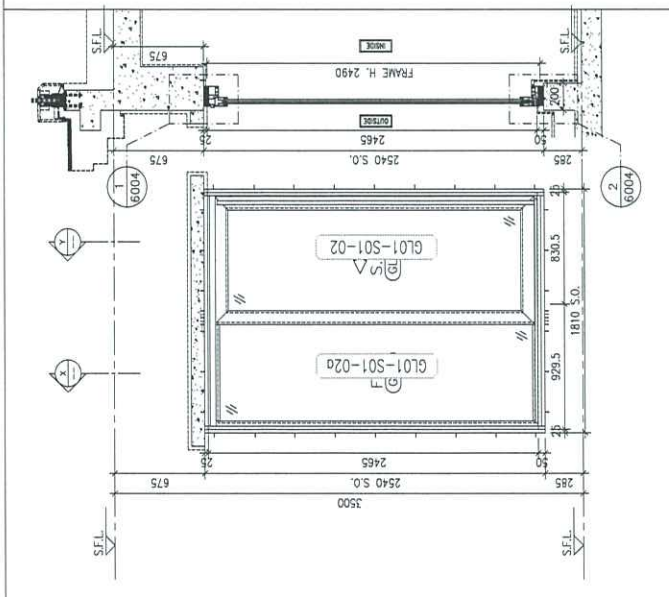
DWG NO. : JB58-IW-2102a REV. : E



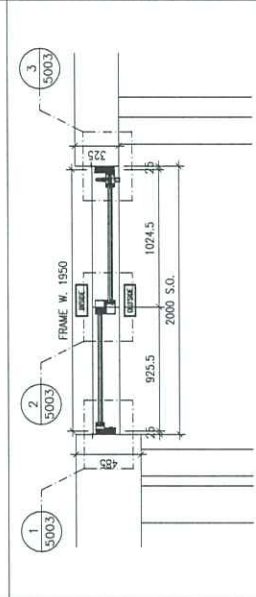
ELEVATION



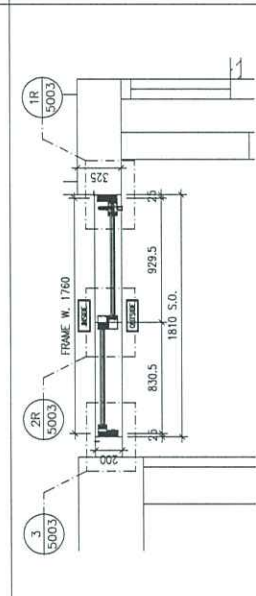
ELEVATION



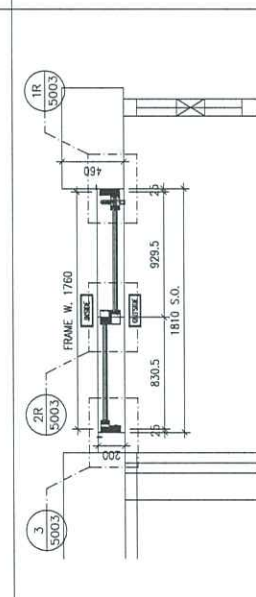
ELEVATION



PART PLAN



PART PLAN



PART PLAN

WINDOW MARK	GLAZING AREA:	Required =	Provided =	GLAZING AREA:	Required =	Provided =
(7B-A)	OPENABLE AREA:	Required =	Provided =	OPENABLE AREA:	Required =	Provided =
(7B-A)	TOWER 3(3B) FLAT A LIVING ROOM(67/F) 150mm ALUM. SECTION WITH PVF2 COATING(SILVER CHAMPAGNE COLOUR) 10mm THK. CLEAR TEMPERED GLASS+12mm AIR+12mm THK. CLEAR TEMPERED GLASS IGU 1 NO.					

WINDOW MARK	GLAZING AREA:	Required =	Provided =	GLAZING AREA:	Required =	Provided =
(7B-A)	OPENABLE AREA:	Required =	Provided =	OPENABLE AREA:	Required =	Provided =
(7B-A)	TOWER 2(2B) FLAT A LIVING ROOM(67/F) 150mm ALUM. SECTION WITH PVF2 COATING(SILVER CHAMPAGNE COLOUR) 10mm THK. CLEAR TEMPERED GLASS+12mm AIR+12mm THK. CLEAR TEMPERED GLASS IGU 1 NO.					

WINDOW MARK	GLAZING AREA:	Required =	Provided =	GLAZING AREA:	Required =	Provided =
(7B-A)	OPENABLE AREA:	Required =	Provided =	OPENABLE AREA:	Required =	Provided =
(7B-A)	TOWER 1(1B) FLAT A LIVING ROOM(62/F) 150mm ALUM. SECTION WITH PVF2 COATING(SILVER CHAMPAGNE COLOUR) 10mm THK. CLEAR TEMPERED GLASS+12mm AIR+12mm THK. CLEAR TEMPERED GLASS IGU 1 NO.					

ELEVATION/
PART PLAN/
SECTION

REMARKS

B.D. REF :

CLIENT : **Sino Land Company Limited**

ARCHITECT : **Ronald Lu & Partners**
Ronald Lu & Partners (HK) Ltd.
 呂志輝建築師事務所 (香港) 有限公司

MAIN CONTRACTOR :

STRUCTURAL ENGINEER : **AECOM**

FAÇADE CONSULTANT : **AECOM**

NOTE:

1. ALL DIMENSIONS ARE IN MM.
2. ALL ELEVATIONS ARE VIEWED FROM OUTSIDE.
3. DIMENSIONS SHOULD BE CHECKED ON SITE BEFORE PROVISION.

LEGEND:

① DETAIL MARK NO.
 X001 REFER SHEET NO.

1. FFL.—FINISHED FLOOR LEVEL
2. SFL.—STRUCTURAL FLOOR LEVEL
3. R.—REVERSED DETAIL

NO.	DATE	BY	REASON
D	13-10-2023		REVISED AS PER ARCHITECT COMMENTS
C	26-09-2023		REVISED AS PER ARCHITECT COMMENTS
B	30-08-2023		REVISED AS PER ARCHITECT COMMENTS
A	11-08-2023		REVISED AS PER ARCHITECT COMMENTS

JOB NO. : J-858

PROJECT : PROPOSED RESIDENTIAL DEVELOPMENT AT TKOTL 70RP, PHASE 11, LOHAS PARK TSEUNG KWAN O, N.T.

TITLE : IN-SITU ALUM. WINDOW ALUM. WINDOW SCHEDULE AT SPECIAL UNITS FLOOR

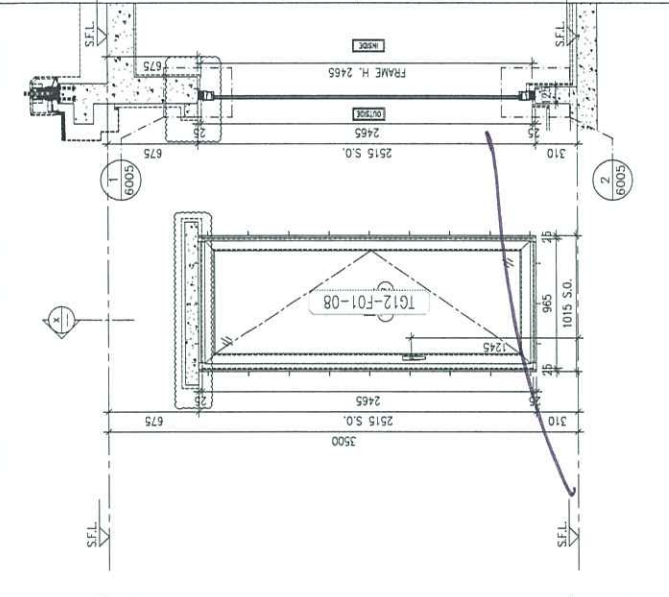
DATE : 04-OCT-21 SCALE : 1:40

DRAWN BY :

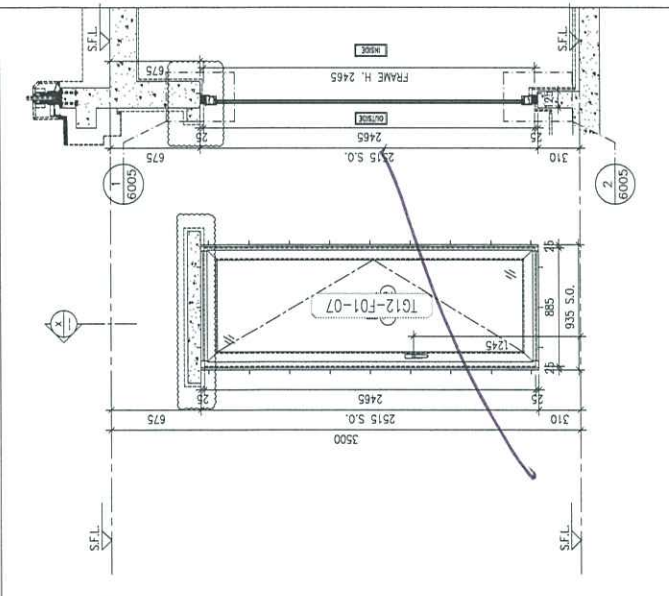
CHECKED BY :

美地鋁質有限公司
MIDI ALUMINIUM MANUFACTURE LTD.
 Units 6-8, Sunny Industrial Centre, 1/F
 610 Che Kwo Ling Road, Kowloon
 Tel: 248211-4 Fax: (852) 2777666

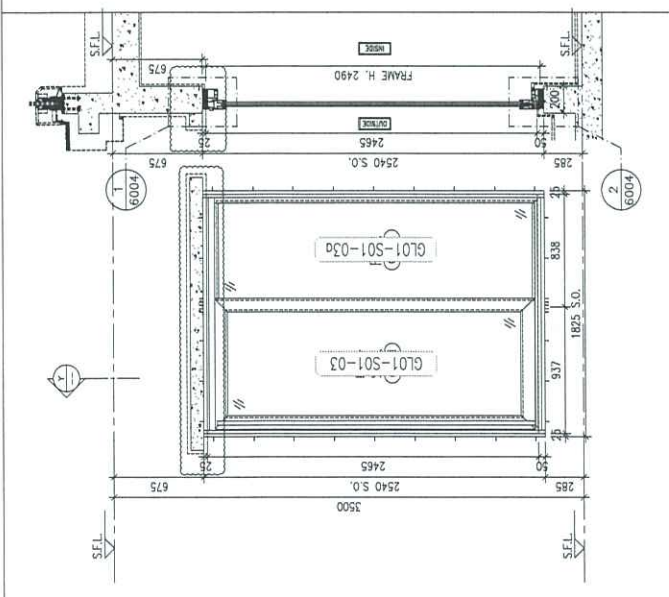
DWG NO. : J858-IW-2104g REV. : D



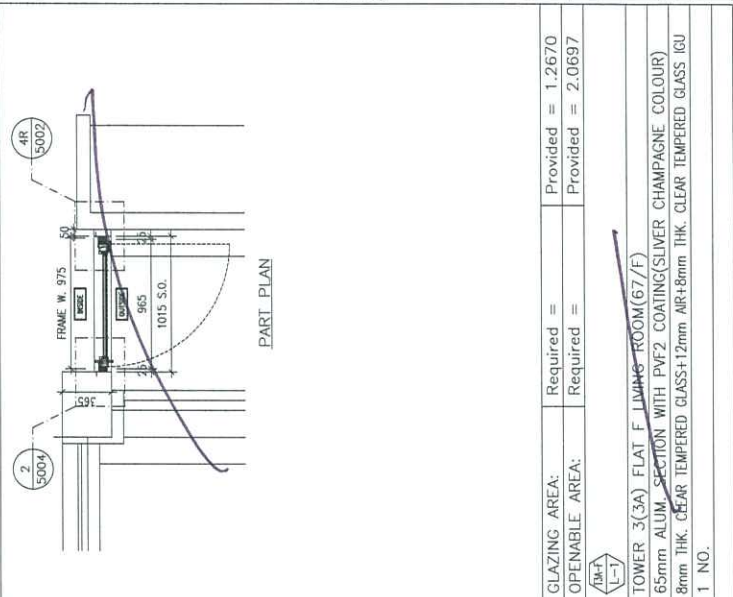
ELEVATION SECTION "X-X"



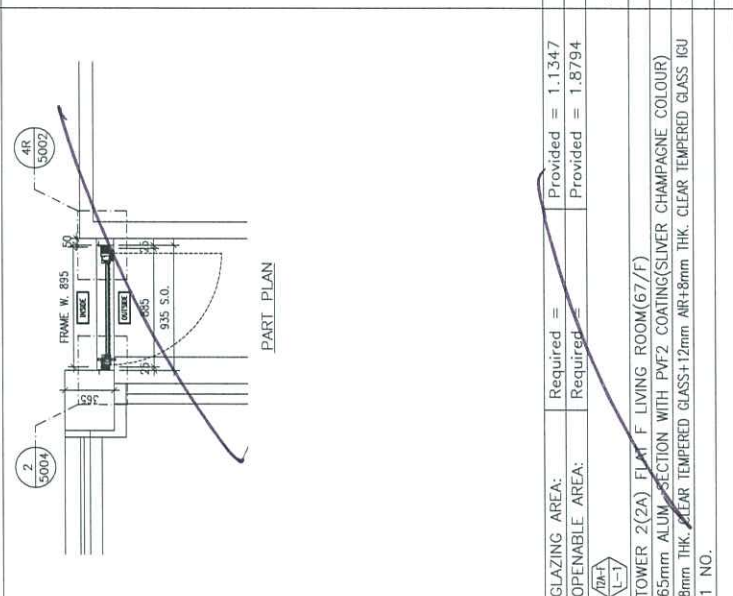
ELEVATION SECTION "X-X"



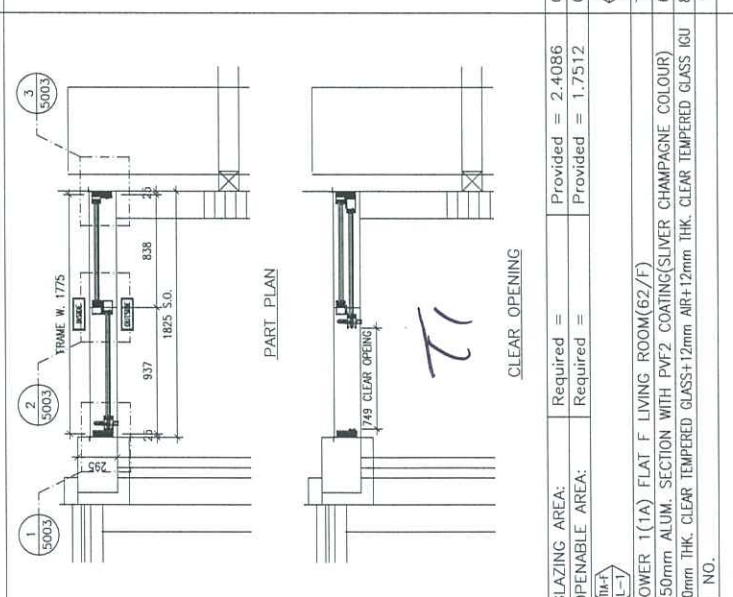
ELEVATION SECTION "Y-Y"



PART PLAN



PART PLAN



PART PLAN

CLEAR OPENING

WINDOW MARK	GLAZING AREA:	Required =	Provided =	GLAZING AREA:	Required =	Provided =
①	OPENABLE AREA:	Required =	Provided =	②	Required =	Provided =
②				③		
③				④		
④						
⑤						
⑥						
⑦						
⑧						
⑨						
⑩						
⑪						
⑫						
⑬						
⑭						
⑮						
⑯						
⑰						
⑱						
⑲						
⑳						
㉑						
㉒						
㉓						
㉔						
㉕						
㉖						
㉗						
㉘						
㉙						
㉚						
㉛						
㉜						
㉝						
㉞						
㉟						
㊱						
㊲						
㊳						
㊴						
㊵						
㊶						
㊷						
㊸						
㊹						
㊺						
㊻						
㊼						
㊽						
㊾						
㊿						

REMARKS

B.D. REF :

T1 特色層室內趟門玻璃派倉位置圖

CLIENT : 信和置業有限公司
Sino Land Company Limited

ARCHITECT : ronald lu
Ronald Lu & Partners (HK) Ltd.
呂宗仁建築師事務所 (香港) 有限公司

STRUCTURAL ENGINEERS : Gammon
A-COM
TRACE CONSULTANT: A-COM

NOTE :
1. ALL DIMENSIONS ARE IN mm.
2. ALL ELEVATIONS ARE VIEWED FROM OUTSIDE.
3. BEFORE FABRICATOR.
LEGEND :
① - DETAIL MARK NO.
② - REFER SHEET NO.
1. F.F.L. - FINISHED FLOOR LEVEL
2. S.F.L. - STRUCTURAL FLOOR LEVEL
3. - - - REVERSED DETAIL

E	30-06-2023	REVISED AS PER ARCHITECT COMMENTS	MM
B	11-06-2023	REVISED AS PER ARCHITECT COMMENTS	MM
C	26-06-2023	REVISED AS PER ARCHITECT COMMENTS	MM
D	26-06-2023	REVISED AS PER ARCHITECT COMMENTS	LS
A	11-11-2021	REVISED AS PER ARCHITECT COMMENTS	LS
NO.	DATE	REVISED	BY

JOB NO. : J-858

PROJECT : PROPOSED RESIDENTIAL DEVELOPMENT AT TKOIL 70RP, PHASE 11, LOHAS PARK, TSEUNG KWAN O, N.T.

TITLE : IN-SITU ALUM. WINDOW LAYOUT PLAN 62/F - TOWER 1

DATE : 04-OCT-21 SCALE : 1:160

DRAWN BY : 鍾銘賢有限公司

CHKD BY : MIDT
Unit 6-8, Sunny Industrial Centre, 1/F
610 Che Kwo Ling Road, Kowloon
Tel: 2489211-4 Fax: (852) 2727665
PMC NO. : J858-W-3104 REV. : E



WINDOW TAG	LOCATION	QTY
T1(A) L-1	T1(A) FLAT A KITCHEN	1
T1(A) L-1	T1(A) FLAT A LIVING	1
T1(A) L-1	T1(A) FLAT A STAIRCASE	1
T1(B) L-1	T1(B) FLAT A LIVING	1
T1(B) L-1	T1(B) FLAT A KITCHEN	1
T1(B) L-1	T1(B) FLAT B UTILITY	1
T1(B) L-1	T1(B) FLAT B KITCHEN	1
T1(B) L-1	T1(B) FLAT B DINING	1
T1(B) L-1	T1(B) FLAT B STORE	1
T1(A) L-1	T1(A) FLAT F LIVING	1
T1(A) L-1	T1(A) FLAT F KITCHEN	1
T1(A) L-1	T1(A) FLAT F STAIRCASE	1

BD. REF :

CLIENT : 信和置業有限公司
Sino Land Company Limited

ARCHITECT : ronald lu & partners
Ronald Lu & Partners (HK) Ltd.
呂元祥建築師事務所 (香港) 有限公司

MAIN CONTRACTOR : Gammon

STRUCTURAL ENGINEER : A-COM

FACADE CONSULTANT : A-COM

NOTE :
1. ALL DIMENSIONS ARE IN mm.
2. ALL ELEVATIONS ARE VIEWED FROM OUTSIDE.
3. BEFORE FABRICATION.

LEGEND :
① DETAIL MARK NO.
② REFER SHEET NO.
③ F.F.L. -- FINISHED FLOOR LEVEL
④ S.F.L. -- STRUCTURAL FLOOR LEVEL
⑤ -- REVERSED DETAIL

NO.	DATE	DESCRIPTION	BY	CHKD
1	20-06-2023	ISSUED AS PER PROJECT COMMENTS	AK	AK
2	11-06-2023	REVISED AS PER PROJECT COMMENTS	AK	AK
3	26-06-2023	REVISED AS PER PROJECT COMMENTS	AK	AK
4	24-06-2022	REVISED AS PER PROJECT COMMENTS	LS	LS
5	11-11-2021	REVISED AS PER PROJECT COMMENTS	LS	LS
6	01-01-2021	ISSUED	AK	AK
7	01-01-2021	ISSUED	AK	AK

JOB NO. : J-858

PROJECT : RESIDENTIAL DEVELOPMENT
AT THOITL 70RP, PHASE 11, LOHAS PARK
TSEUNG KWAN O, N.T.

TITLE : IN-SITU ALUM. WINDOW
LAYOUT PLAN
67/F - TOWER 2

DATE : 04-OCT-21 SCALE : 1:160

DRAWN BY :
CHECKED BY :
DELETED

PROJECT MANAGER : 姜特 銘實有限公司
MIDI ARCHITECTS
Unit 6-8, Sunny Industrial Centre, 1/F
610 Che Kwo Ling Road, Kowloon
Tel: 24169211-4 Fax: (852) 7727666
DWG NO. : J858-W-3203 REV. : E

T2 特色層室內趟門玻璃派倉位置圖



QTY	LOCATION	WINDOW TAG
1	FLAT A KITCHEN	T2(A) FLAT A KITCHEN
1	FLAT A LIVING	T2(A) FLAT A LIVING
1	FLAT A STAIRCASE	T2(A) FLAT A STAIRCASE
1	FLAT A LIVING	T2(2B) FLAT A LIVING
1	FLAT A KITCHEN	T2(2B) FLAT A KITCHEN
1	FLAT B UTILITY	T2(2B) FLAT B UTILITY
1	FLAT B KITCHEN	T2(2B) FLAT B KITCHEN
1	FLAT B DINNING	T2(2B) FLAT B DINNING
1	FLAT B STORE	T1(B) FLAT B STORE
1	FLAT F LIVING	T2(2A) FLAT F LIVING
1	FLAT F KITCHEN	T2(2A) FLAT F KITCHEN
DELETED	FLAT F UTILITY	T2(2A) FLAT F UTILITY
DELETED	FLAT F STAIRCASE	T2(2A) FLAT F STAIRCASE

Handwritten notes in blue ink:

22/6/21

5/4/24

BD. REF :

CLIENT : 信和置業有限公司
Sino Land Company Limited

ARCHITECT : Ronald Lu & Partners
Ronald Lu & Partners (HK) Ltd.
呂元村建築師事務所 (香港) 有限公司

M&M CONTRACTOR : Gammon

STRUCTURAL ENGINEER : ACOM

FAÇADE CONSULTANT : ACOM

NOTE :
1. ALL DIMENSIONS ARE IN MM.
2. ALL ELEVATIONS ARE VIEWED FROM OUTSIDE.
3. ALL DIMENSIONS TO BE VERIFIED ON SITE BEFORE FABRICATION.

LEGEND :

① DETAIL MARK NO.
② REFER SHEET NO.
1. FFL - FINISHED FLOOR LEVEL
2. SFL - STRUCTURAL FLOOR LEVEL
3. Ⓢ - REVERSED DETAIL

A	30-06-2023	REVISED AS PER PROJECT COMMENTS
B	11-06-2023	REVISED AS PER PROJECT COMMENTS
C	26-06-2023	REVISED AS PER PROJECT COMMENTS
D	26-06-2023	REVISED AS PER PROJECT COMMENTS
E	11-11-2021	REVISED AS PER PROJECT COMMENTS
REV.	DATE	REASON

JOB NO. : J-858

PROJECT : RESIDENTIAL DEVELOPMENT
AT TKOHL 70RP, PHASE 11, LOHAS PARK
TSEUNG KWAN O, N.T.

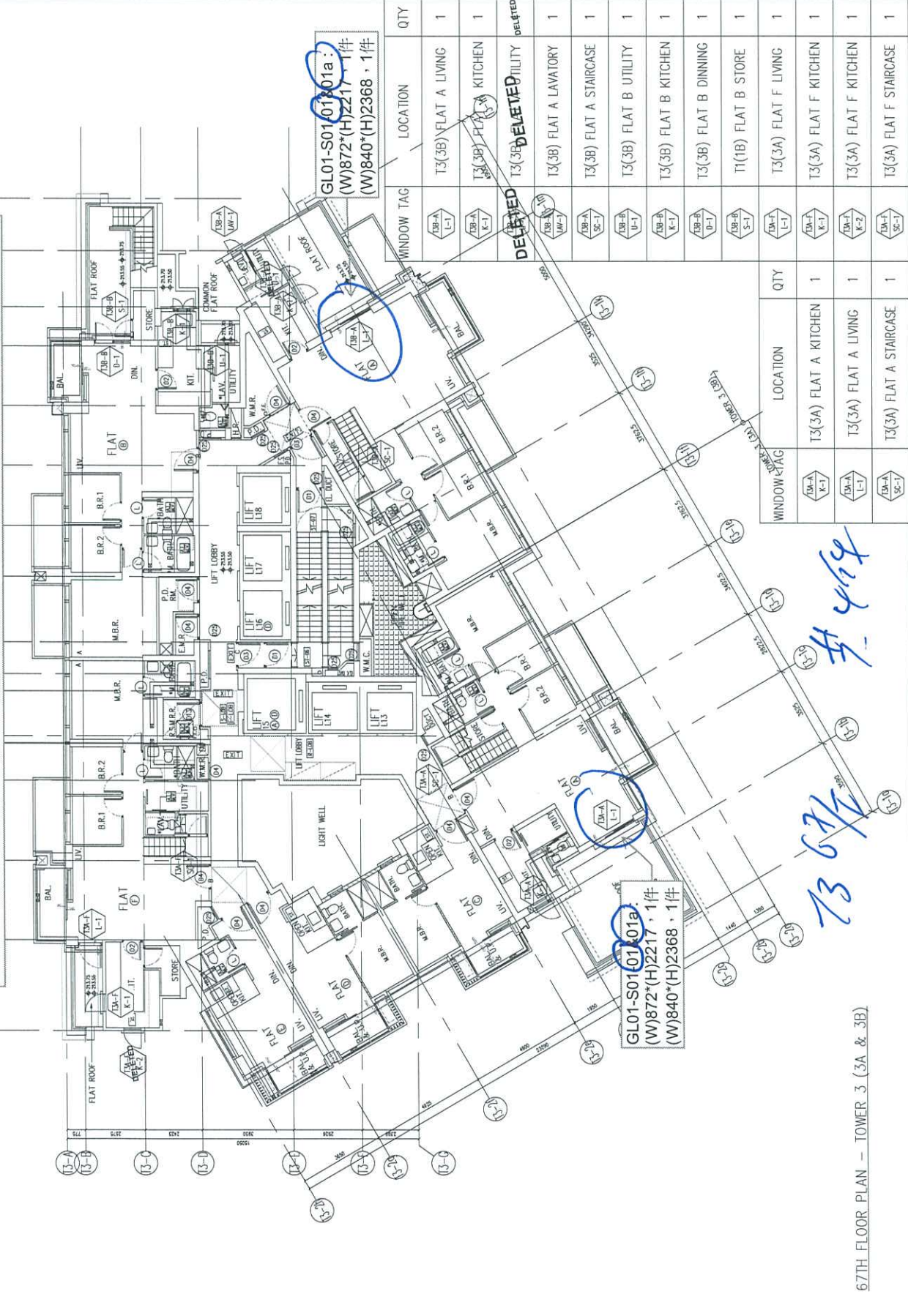
TITLE : IN-SITU ALUM. WINDOW
LAYOUT PLAN
67/F - TOWER 3

DATE : 04-OCT-21 SCALE : 1:160

DRAWN BY : CHECKED BY :

美特鋁質有限公司
METAL ALUMINUM WINDOW SYSTEMS LTD.
810 Chee Kwo Ling Road, Kowloon
Tel: 2348211-4 Fax: (852) 2727656
DWG. NO. : J858-W-3503 REV. : E

T3 特色層室內趟門玻璃派倉位置圖



Handwritten notes:
T3 67/F
4/19

67TH FLOOR PLAN - TOWER 3 (3A & 3B)

特色層室內趟門玻璃分箱表

T1				
T1A-A L-1	GL01-S01-01	872	2217	1
T1A-A L-1	GL01-S01-01a	840	2368	1
T1B-A L-1	GL01-S01-02	777	2217	1
T1B-A L-1	GL01-S01-02a	745	2368	1
T1A-F L-1	GL01-S01-03	785	2217	1
T1A-F L-1	GL01-S01-03a	753	2368	1

共 6 件

T2				
T2A-A L-1	GL01-S01-01	872	2217	1
T2A-A L-1	GL01-S01-01a	840	2368	1
T2B-A L-1	GL01-S01-02	777	2217	1
T2B-A L-1	GL01-S01-02a	745	2368	1

共 4 件

T3				
T3A-A L-1	GL01-S01-01	872	2217	1
T3A-A L-1	GL01-S01-01a	840	2368	1
T3B-A L-1	GL01-S01-01	872	2217	1
T3B-A L-1	GL01-S01-01a	840	2368	1

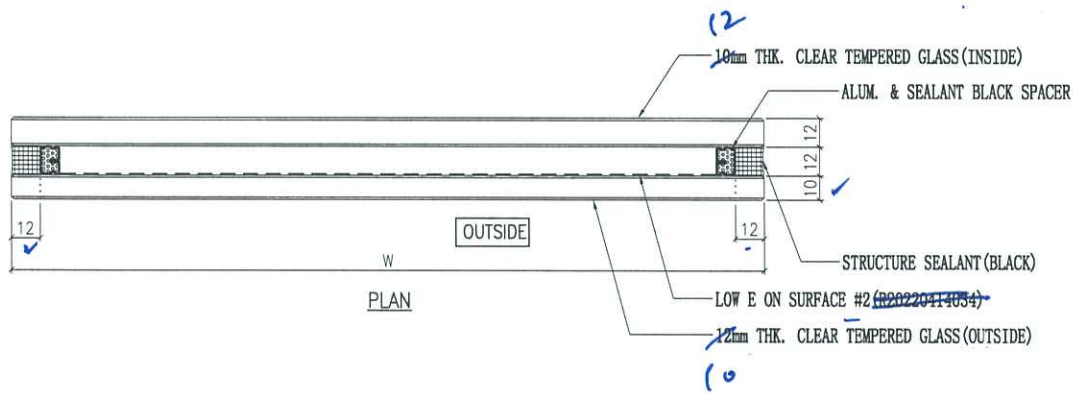
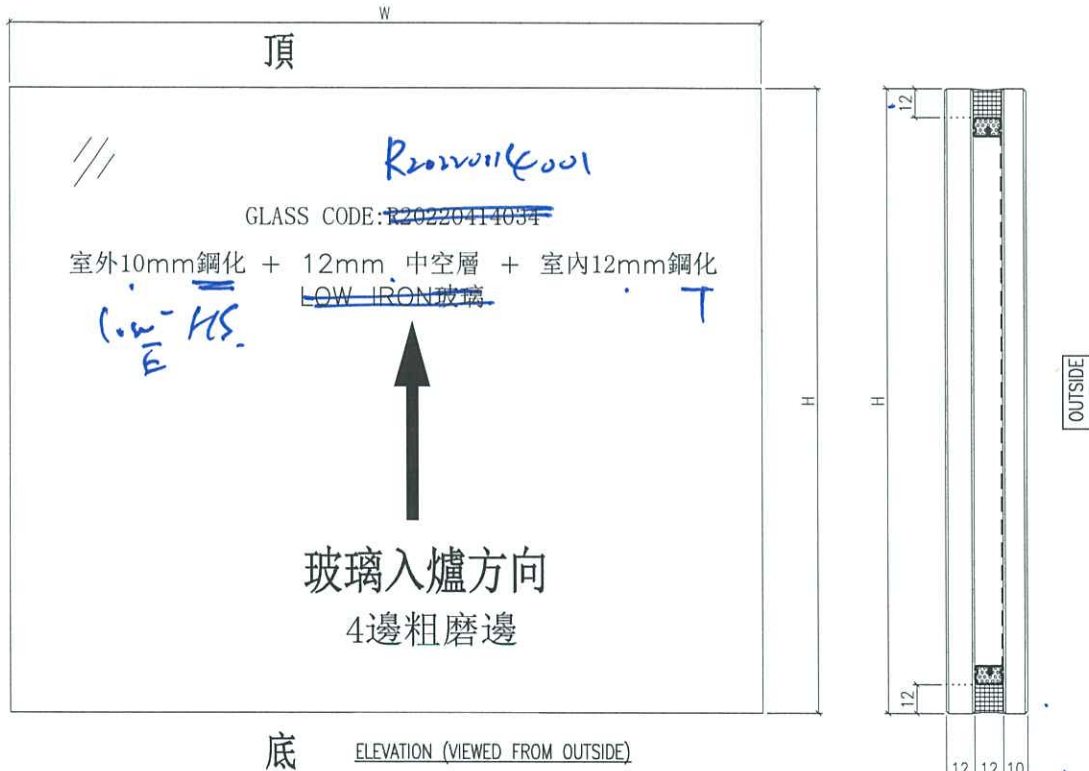
共 4 件

按此包箱出貨



美特鋁質有限公司
MIDI Aluminium Fabricator Ltd.

工程號	J858	類別		物料號	-						
地盘	康城11期	制圖	I. H.	2023-11-01	圖號	J858-GL01-S01					
修改	-	採用工廠	✓	地盤	-	图纸名称	推拉门玻璃加工图	復核	-	數量	-
日期	-	材料颜色	-	材料	-	批准	-	單件重量	-	(KG)	



NOTES

- ALL DIMENSION IN mm
- ALL EDGE CHAMFER 1x1x45°

6	GL01-S01-03a	753	2368	1
5	GL01-S01-03	785	2217	1
4	GL01-S01-02a	745	2368	2
3	GL01-S01-02	777	2217	2
2	GL01-S01-01a	840	2368	4
1	GL01-S01-01	872	2217	4
序號	玻璃編號	W	H	數量

美特鋁質有限公司 MIDI Aluminium Fabricator Ltd.		工程號: J-858	計算: I. H.	日期: 2/11/2023	送呈: Ant
地盤名稱: 康城11期		核對:	日期:	副本:	
項目類別: 推拉門		批准:	日期:	A/C Code:	
修改版次:		總計玻璃面積 (平方米): 26.19		此BM依據	

序號	修改內容	玻璃編號	顏色與類型		玻璃尺寸		數量 (塊)	總面積 (平方米)	備注
			寬度W (mm)	高度H (mm)	寬度W (mm)	高度H (mm)			
1		GL01-S01-01	GL01: 10mm THK. CLEAR TEMPERED GLASS +12mm AIR +12mm THK. CLEAR TEMPERED GLASS (R20220414034)	R20220414001	872	2217	4	7.73	GL01-S01
2		GL01-S01-01a	GL01: 10mm THK. CLEAR TEMPERED GLASS +12mm AIR +12mm THK. CLEAR TEMPERED GLASS (R20220414034)		840	2368	4	7.96	GL01-S01
3		GL01-S01-02	GL01: 10mm THK. CLEAR TEMPERED GLASS +12mm AIR +12mm THK. CLEAR TEMPERED GLASS (R20220414034)		777	2217	2	3.45	GL01-S01
4		GL01-S01-02a	GL01: 10mm THK. CLEAR TEMPERED GLASS +12mm AIR +12mm THK. CLEAR TEMPERED GLASS (R20220414034)		745	2368	2	3.53	GL01-S01
5		GL01-S01-03	GL01: 10mm THK. CLEAR TEMPERED GLASS +12mm AIR +12mm THK. CLEAR TEMPERED GLASS (R20220414034)		785	2217	1	1.74	GL01-S01
6		GL01-S01-03a	GL01: 10mm THK. CLEAR TEMPERED GLASS +12mm AIR +12mm THK. CLEAR TEMPERED GLASS (R20220414034)		753	2368	1	1.78	GL01-S01
7									
8	2101b								
9	2102a								
9	2104a								
10							合計:	14	26

1). 本表中所有玻璃對角線尺寸偏差要求不超過正負2mm。
2). 本表中所有玻璃要求粗磨邊及精磨邊處理並倒棱角。
3). 本表中不同種類玻璃參照玻璃加工圖加工。
4). 本表中所有強化玻璃均需HEAT SOAK TEST。
5). 本表中所有強化玻璃之入爐方向均以寬度方向進入。
6). 本表中所有玻璃成品均需注明室內外面及其玻璃編號，以便識別。 嗽

加工注意事項:

12

PROJECT :

**PROPOSED RESIDENTIAL DEVELOPMENT
AT TKOTL 7ORP, PHASE 11, LOHAS PARK, TSEUNG KWAN O, N.T.**

Approval Status: B

Note: This approval is mainly on updating beam size above windows/ french door. Approval of the previous set of shop drawing (Rev.11 dated 20 Oct 2023) has already enabled manufacturing of in-situ window and french doors.

RLP - Marina Tong
2 Nov 2023

12號即窗框圖

TITLE : SHOP DRAWING FOR
IN-SITU ALUMINIUM WINDOW

DATE: 27 OCTOBER 2023