



工程指示 / 要求簡箋(E.I.)

工程指示編號 : EI / 6890/23 修改版次 :
 工程編號 : J - 858 工程名稱 : 日出康城 LP 11
 工程項目 : 後加百葉 (9/F 隔火層 特色層 天上天) (1st 圖紙上載) 拆圖
 收件人 : 生統 / 拆圖 發件人 : Ant Yeung 日期 : 25/10/2023

要求提供 / 確認 事項 :

- | | | |
|------------------------------------|-------------------------------------|-------------------------------|
| <input type="checkbox"/> 初步鋁料 B.M. | <input type="checkbox"/> 加工拆圖, 然後生產 | <input type="checkbox"/> 尺寸表 |
| <input type="checkbox"/> 正式鋁料 B.M. | <input type="checkbox"/> 技術上資料 / 指示 | <input type="checkbox"/> 報價 |
| <input type="checkbox"/> 配件 B.M. | <input type="checkbox"/> 樣辦或貨品說明書 | <input type="checkbox"/> 分判合約 |
- 內容 :

請安排拆圖後加百葉 (9/F 隔火層 特色層 天上天) (1st 圖紙上載) 拆圖

1. 鋁料 BM、配件 BM、加工圖、開料單等等
2. 此後加項目, 請報價。
3. 最優先處理機房百葉, 免阻機房驗機。(Lift Machine Room)。

附 CAD 和 PDF

請在 2023.10.30 前完成上列要求。

分發東莞各部門 :

- | | | | | | | | |
|---------------------------------|------------------------------|---|---|--|---|--------------------------------|------------------------------|
| <input type="checkbox"/> 生產技術總監 | <input type="checkbox"/> 連附件 | <input checked="" type="checkbox"/> 技術部 | <input checked="" type="checkbox"/> 連附件 | <input type="checkbox"/> 生產部 | <input type="checkbox"/> 連附件 | <input type="checkbox"/> 機械設計部 | <input type="checkbox"/> 連附件 |
| <input type="checkbox"/> 採購部 | <input type="checkbox"/> 連附件 | <input checked="" type="checkbox"/> 生產統籌部 | <input checked="" type="checkbox"/> 連附件 | <input checked="" type="checkbox"/> 小羅&清 | <input checked="" type="checkbox"/> 連附件 | | |
| <input type="checkbox"/> 質檢部 | <input type="checkbox"/> 連附件 | <input type="checkbox"/> 會計部 | <input type="checkbox"/> 連附件 | <input type="checkbox"/> 報關組 | <input type="checkbox"/> 連附件 | <input type="checkbox"/> 其他 | <input type="checkbox"/> 連附件 |

分發香港各部門 :

- | | | | | | | | |
|------------------------------|------------------------------|-------------------------------|------------------------------|------------------------------|------------------------------|------------------------------------|------------------------------|
| <input type="checkbox"/> 行政部 | <input type="checkbox"/> 連附件 | <input type="checkbox"/> 會計部 | <input type="checkbox"/> 連附件 | <input type="checkbox"/> 統籌部 | <input type="checkbox"/> 連附件 | <input type="checkbox"/> 工程部地盤科文積哥 | <input type="checkbox"/> 連附件 |
| <input type="checkbox"/> 採購部 | <input type="checkbox"/> 連附件 | <input type="checkbox"/> QS 部 | <input type="checkbox"/> 連附件 | <input type="checkbox"/> 維修部 | <input type="checkbox"/> 連附件 | <input type="checkbox"/> 其他 | <input type="checkbox"/> 連附件 |

傳遞編號 :

HK 2439 / 23

發件人簽署 :

項目經理簽署 :

PROJECT :

1

**PROPOSED RESIDENTIAL DEVELOPMENT
AT TKOTL 7ORP, PHASE 11, LOHAS PARK, TSEUNG KWAN O, N.T.**

**TITLE : SHOP DRAWING FOR
IN- SITU ALUMINIUM LOUVER**

DATE: 24 OCTOBER 2023

DRAWING SUBMISSION REGISTER

PROJECT : PROPOSED RESIDENTIAL DEVELOPMENT AT TKOTL 70RP, PHASE 11, LOHAS PARK TSEUNG KWAN O, N.T. TITLE : SHOPDRAWING FOR IN-SITU ALUM. LOUVER	DATE OF ISSUE				SUBMISSION STATE <small>(FOR B.D / A.S.D)</small>			SUBMISSION STATE <small>(FOR CLIENT / CONSULTANT)</small>			SUBMISSION STATE <small>(FOR ARCHITECT)</small>			FABRICATION / CONSTRUCTION STATE						
	ISSUE	01			AP - APPROVED			AP - APPROVED			AP - APPROVED			ISSUE TO CHINA OFFICE	ISSUE TO SITE	ISSUE TO SUB-CONTRACTOR				
	DAY	24			AC - APPROVED SUB. TO CONDITION			AC - APPROVED SUB. TO CONDITION			AC - APPROVED SUB. TO CONDITION									
	MONTH	10			NA - NOT APPROVED			NA - NOT APPROVED			NA - NOT APPROVED									
	YEAR	23																		
DRAWING TITLE	DWG. NO.	REVISIONS				COMMENT DATE	REV.	STATE	COMMENT DATE	REV.	STATE	COMMENT DATE	REV.	STATE	REV.	DATE	REV.	DATE	REV.	DATE
COVERPAGE	J858-IL-0000	-																		
DRAWING SUBMISSION REGISTER	J858-IL-0001	-																		
DRAWING SUBMISSION REGISTER	J858-IL-0001a	-																		
GENERAL NOTES	J858-IL-0002	-																		
SECTION PROPERTIES	J858-IL-0003	-																		
ALUM. LOUVER SCHEDULE FOR TOWER 1	J858-IL-2101	-																		
ALUM. LOUVER SCHEDULE FOR TOWER 1	J858-IL-2102	-																		
ALUM. LOUVER SCHEDULE FOR TOWER 1	J858-IL-2103	-																		
ALUM. LOUVER SCHEDULE FOR TOWER 1	J858-IL-2104	-																		
ALUM. LOUVER SCHEDULE FOR TOWER 1	J858-IL-2105	-																		
ALUM. LOUVER SCHEDULE FOR TOWER 1	J858-IL-2106	-																		
ALUM. LOUVER SCHEDULE FOR TOWER 1	J858-IL-2107	-																		
ALUM. LOUVER SCHEDULE FOR TOWER 1	J858-IL-2108	-																		
ALUM. LOUVER SCHEDULE FOR TOWER 1	J858-IL-2109	-																		
ALUM. LOUVER SCHEDULE FOR TOWER 1	J858-IL-2110	-																		
ALUM. LOUVER SCHEDULE FOR TOWER 1	J858-IL-2111	-																		
ALUM. LOUVER SCHEDULE FOR TOWER 2	J858-IL-2201	-																		
ALUM. LOUVER SCHEDULE FOR TOWER 2	J858-IL-2202	-																		
ALUM. LOUVER SCHEDULE FOR TOWER 2	J858-IL-2203	-																		
ALUM. LOUVER SCHEDULE FOR TOWER 2	J858-IL-2204	-																		
ALUM. LOUVER SCHEDULE FOR TOWER 2	J858-IL-2205	-																		
ALUM. LOUVER SCHEDULE FOR TOWER 2	J858-IL-2206	-																		
ALUM. LOUVER SCHEDULE FOR TOWER 2	J858-IL-2207	-																		
ALUM. LOUVER SCHEDULE FOR TOWER 2	J858-IL-2208	-																		
ALUM. LOUVER SCHEDULE FOR TOWER 2	J858-IL-2209	-																		
ALUM. LOUVER SCHEDULE FOR TOWER 3	J858-IL-2301	-																		
ALUM. LOUVER SCHEDULE FOR TOWER 3	J858-IL-2302	-																		
ALUM. LOUVER SCHEDULE FOR TOWER 3	J858-IL-2303	-																		
ALUM. LOUVER SCHEDULE FOR TOWER 3	J858-IL-2304	-																		
ALUM. LOUVER SCHEDULE FOR TOWER 3	J858-IL-2305	-																		
ALUM. LOUVER SCHEDULE FOR TOWER 3	J858-IL-2306	-																		
ALUM. LOUVER SCHEDULE FOR TOWER 3	J858-IL-2307	-																		
ALUM. LOUVER SCHEDULE FOR TOWER 3	J858-IL-2308	-																		
ALUM. LOUVER SCHEDULE FOR TOWER 3	J858-IL-2309	-																		
LAYOUT PLAN FOR TOWER 1	J858-IL-3101	-																		
LAYOUT PLAN FOR TOWER 1	J858-IL-3102	-																		
LAYOUT PLAN FOR TOWER 1	J858-IL-3103	-																		
LAYOUT PLAN FOR TOWER 1	J858-IL-3104	-																		
LAYOUT PLAN FOR TOWER 1	J858-IL-3105	-																		
LAYOUT PLAN FOR TOWER 1	J858-IL-3106	-																		
LAYOUT PLAN FOR TOWER 1	J858-IL-3107	-																		
LAYOUT PLAN FOR TOWER 2	J858-IL-3201	-																		
LAYOUT PLAN FOR TOWER 2	J858-IL-3202	-																		
LAYOUT PLAN FOR TOWER 2	J858-IL-3203	-																		
LAYOUT PLAN FOR TOWER 2	J858-IL-3204	-																		

IN-HOUSE DESIGN CHECKER  Units 6-8, Sunray Industrial Centre, 1/F 610 Cha Kwo Ling Road, Kowloon Tel:23489211-4 Fax:(852)27727666 DWG NO. : J858-IL-0001 REV. : -
--

GENERAL NOTES FOR IN-SITU ALUM. LOUVER

(A) DESIGN LOAD

DESIGN WIND LOAD SHALL COMPLY WITH THE "CODE OF PRACTICE ON WIND EFFECTS IN HONG KONG 2004", BUILDINGS DEPARTMENT, HONG KONG.

DESIGN WIND PRESSURE

	IN-SITU LOUVER: 9/F - 62/F FOR T1 9/F - 67/F FOR T2, T3
BASIC WIND PRESSURE	3.26 kPa (H: MAX. 228.4M)
PRESSURE COEFFICIENT	+1.0/-1.4
BASIC WIND PRESSURE	3.26 X +1.0 = +3.26 kPa 3.26 X -1.4 = -4.57 kPa

IMPOSED LOAD

HORIZONTAL IMPOSED LOAD ON SHALL BE COMPLIED WITH B(C)R:2011.
(CATEGORY: AREA CONGREGATION OF PEOPLE IS NOT EXPECTED)

- 0.75 kN/m LINEAR LOAD APPLIED AT 1.1m ABOVE F.F.L.
- 1.0 kPa APPLIED WITHIN THE INFILL BETWEEN 1.1m HEIGHT LEVEL & F.F.L
- 0.5 kN CONCENTRATED LOAD APPLIED ARBITRARILY WITHIN THE INFILL BETWEEN 1.1m HEIGHT LVL. & F.F.L

DEAD LOAD

BASED ON THE CODE OF PRACTICE FOR DEAD AND IMPOSED COAD 2011

GLASS WEIGHT	26 kN/m ²
ALUMINIUM WEIGHT	27.2 kN/m ²
STEEL WEIGHT	78.5 kN/m ²

(B) STANDARD AND CODES

- HONG KONG BUILDING (CONSTRUCTION) REGULATION,CAP 123
- CODE OF PRACTICE ON WIND EFFECTS IN HONG KONG 2004
- CODE OF PRACTICE FOR THE STRUCTURAL USE OF STEEL 2011
- CODE OF PRACTICE FOR THE STRUCTURAL USE OF CONCRETE 2013
- BS 8118 : 1991 - STRUCTURAL USE OF ALUMINIUM
- DESIGN OF ALUMINIUM WINDOW SHALL COMPLY WITH PNAP248(APP-116) AND PNPA106(APP-37)
- CODE OF PRACTICE FOR THE STRUCTURAL USE OF GLASS 2018
- CODE OF PRACTICE OF DEAD AND IMPOSED LOAD 2011

(C) ALUMINIUM EXTRUSION

ALUMINIUM ALLOY FOR EXTRUDED STRUCTURAL MEMBER TO BE GRADE 6063-T6 UNLESS OTHERWISE SPECIFIED
MECHANICAL PROPERTIES COMPLY WITH BS EN 755-2 2016

BEND STRENGTH	160 MPa
TENSILE STRENGTH	175 MPa
SHEAR STRENGTH	95 MPa
MODULUS OF ELASTICITY	70000 MPa
0.2% TENSILE PROOF STRESS	170 MPa

(D) ALUMINIUM SHEET

ALUMINIUM SHEET TO BE GRADE 3003-H14
MECHANICAL PROPERTIES COMPLY WITH BS EN 485-2

BEND STRENGTH	125 MPa
TENSILE STRENGTH	135 MPa
SHEAR STRENGTH	75 MPa
MODULUS OF ELASTICITY	70000 MPa
0.2% TENSILE PROOF STRESS	125 MPa

(E) STAINLESS STEEL FASTENER

ALL STAINLESS STEEL FASTENERS FOR EXTRUSION USE TO BE GRADE A4-70 TO BS. EN 3506-1; 2020
MECHANICAL PROPERTIES OF CORROSION RESISTANT STAINLESS STEEL FASTENERS.

TENSILE STRENGTH (Ub)	700 MPa
STRESS AT 0.2% PERMANENT STRAIN (Yb)	450 MPa
DESIGN SHEAR STRENGTH : (0.4Ub)	280 MPa
DESIGN BEARING STRENGTH : 0.7(Ub+Yb)	805 MPa
DESIGN TENSION STRENGTH : MIN(0.7Ub,Yb)	450 MPa

(F) SEPARATION BETWEEN DISSIMILAR MATERIAL

CONTACT SURFACE BETWEEN DISSIMILAR MATERIAL WILL BE ISOLATED BY PLASTIC ISOLATION TAPE TO BS PD 6484

(G) SILICONE SEALANT, GASKET & SETTING BLOCK

- ALL SEALANT TO BE APPLIED IN ACCORDANCE WITH MANUFACTURER'S RECOMMENDATIONS
- WEATHER SEALANT TO BE "DOW CORNING 791" (BLACK)
- ALL DISTANCE PIECE SHALL BE 'SILICONE RUBBER' MATERIAL FOR THOSE IN CONTACT WITH SEALANT WITH A DUROMETER HARDNESS OF 65±5 AT SURROUNDING BETWEEN ALUMINIUM FRAME AND GLASS PANEL, SANTOPRENE WEATHER STRIP.

(H) CONCRETE GRADE

- CONCRETE GRADE = 350 (MIN.)

B.D. REF :

CLIENT :



ARCHITECT :



MAIN CONTRACTOR :



STRUCTURAL ENGINEER :



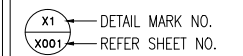
FACADE CONSULTANT:



NOTE :

- ALL DIMENSIONS ARE IN mm.
- ALL ELEVATIONS ARE VIEWED FROM OUTSIDE.
- ALL DIMENSIONS TO BE VERIFIED ON SITE BEFORE FABRICATION.

LEGEND :



- F.F.L. -- FINISHED FLOOR LEVEL
- S.F.L. -- STRUCTURAL FLOOR LEVEL
- ⊗ -- REVERSED DETAIL

NO.	DATE	REVISED	BY
-----	------	---------	----

JOB NO. : J-858

PROJECT :
PROPOSED RESIDENTIAL DEVELOPMENT
AT TKOTL 70RP, PHASE 11, LOHAS PARK
TSEUNG KWAN O, N.T.

TITLE :
IN-SITU ALUM. LOUVER
GENERAL NOTES

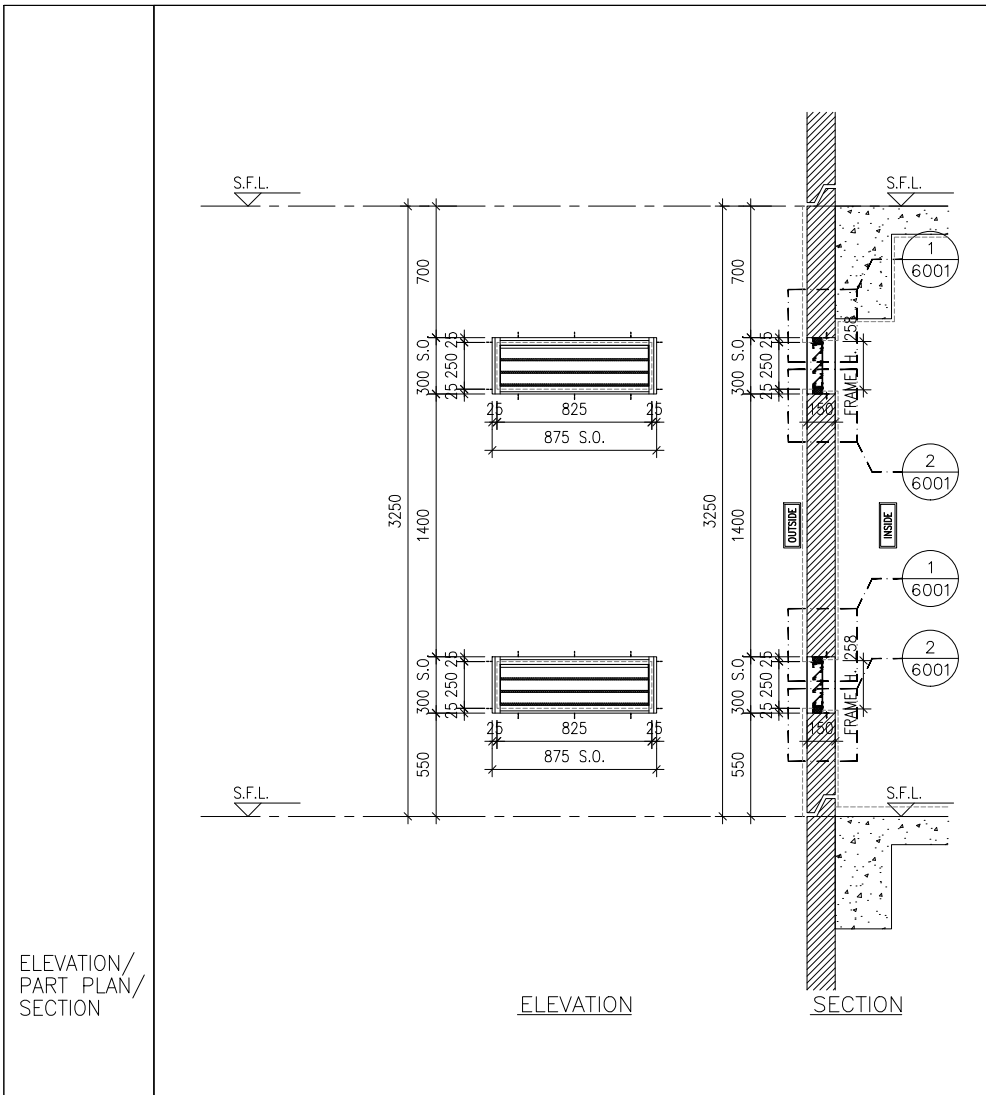
DATE : 04-OCT-21 SCALE : 1:40

DRAWN BY : CHECKED BY :



DWG NO. : J858-IL-0002

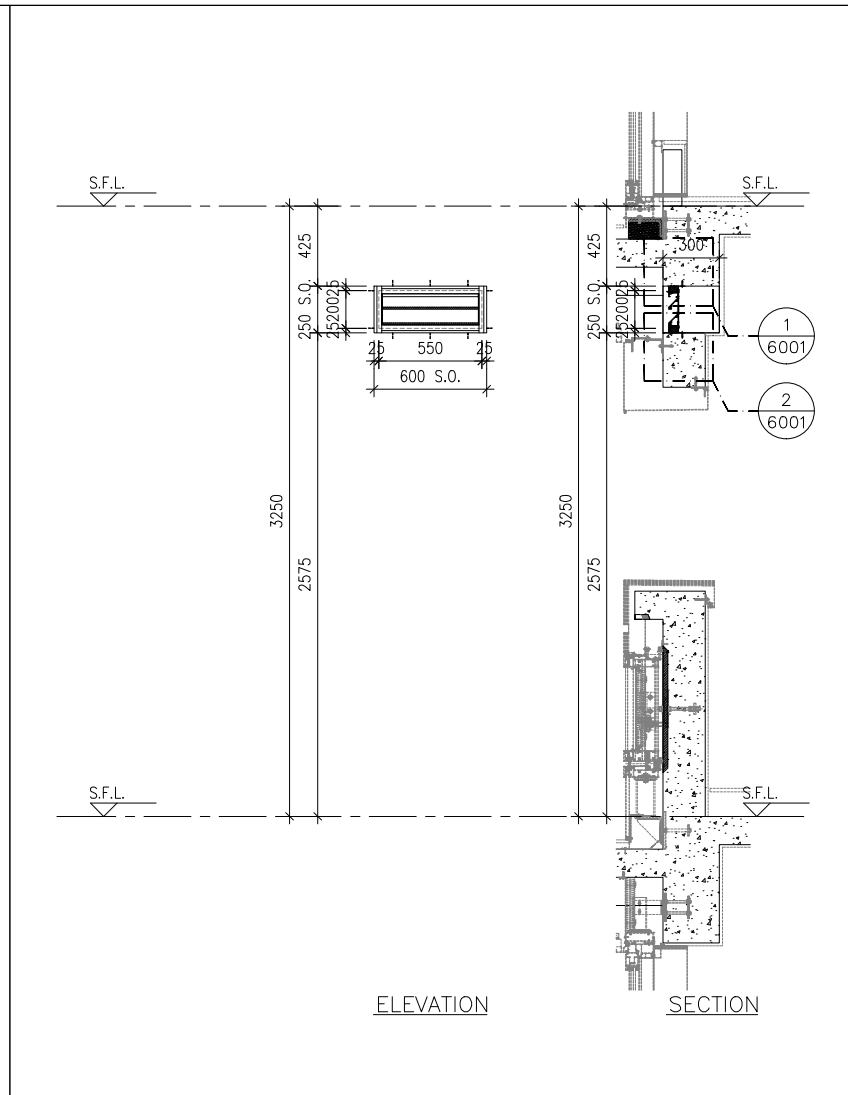
REV. : -



ELEVATION/
PART PLAN/
SECTION

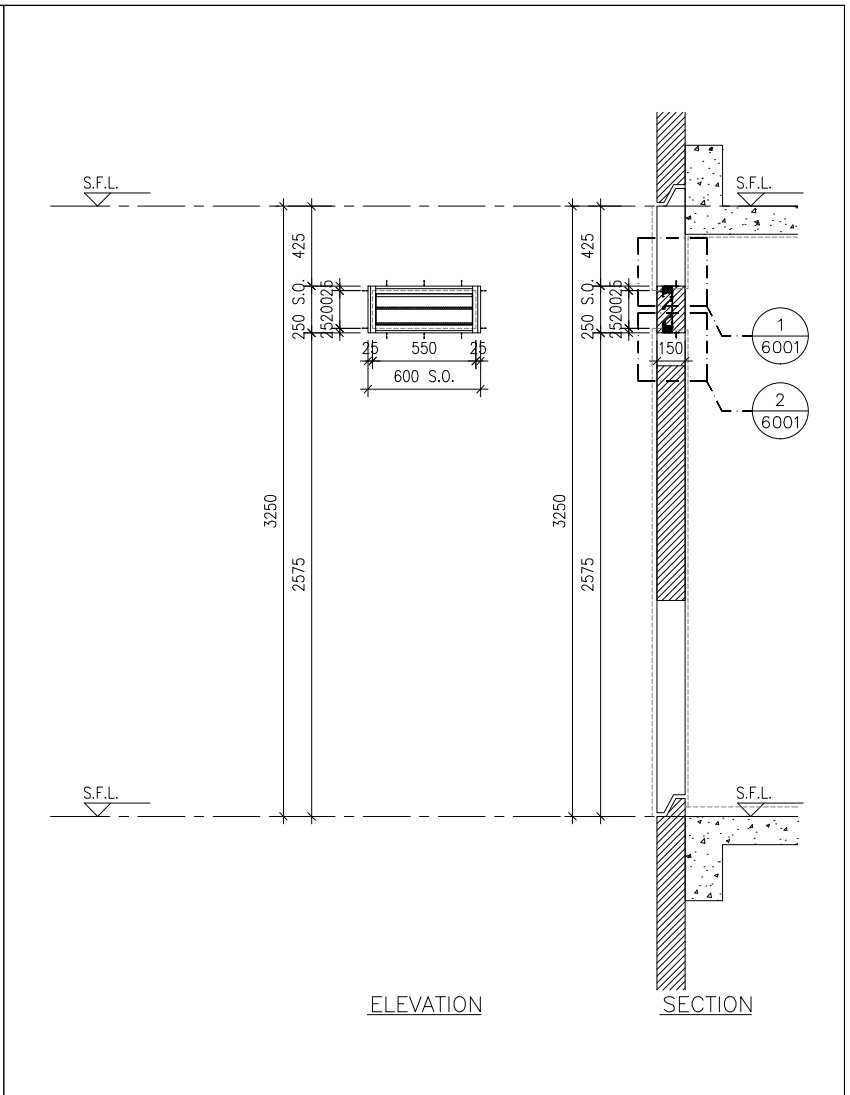
ELEVATION

SECTION



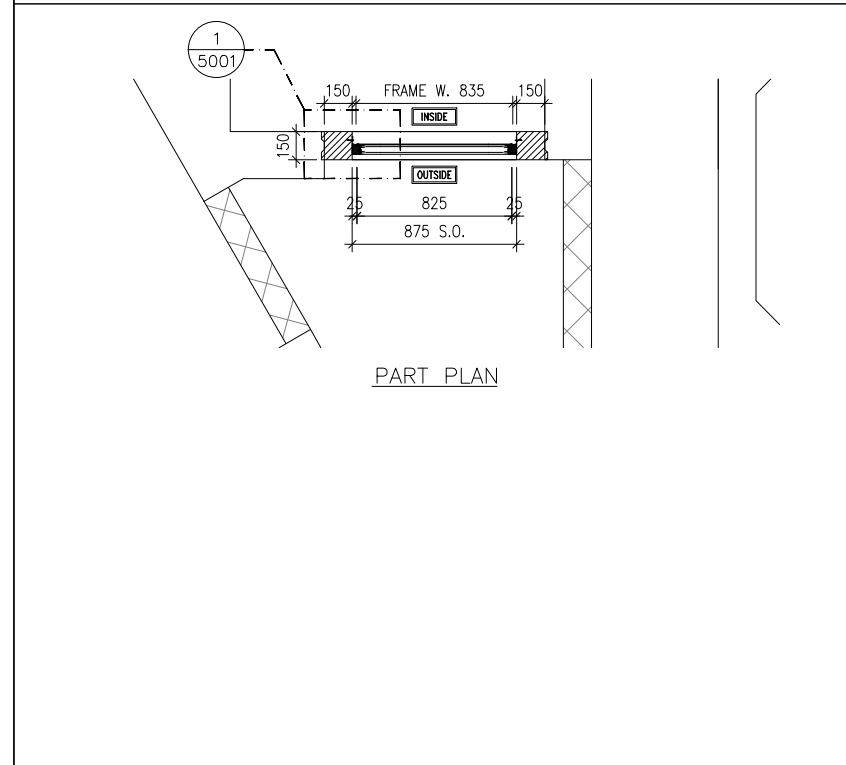
ELEVATION

SECTION

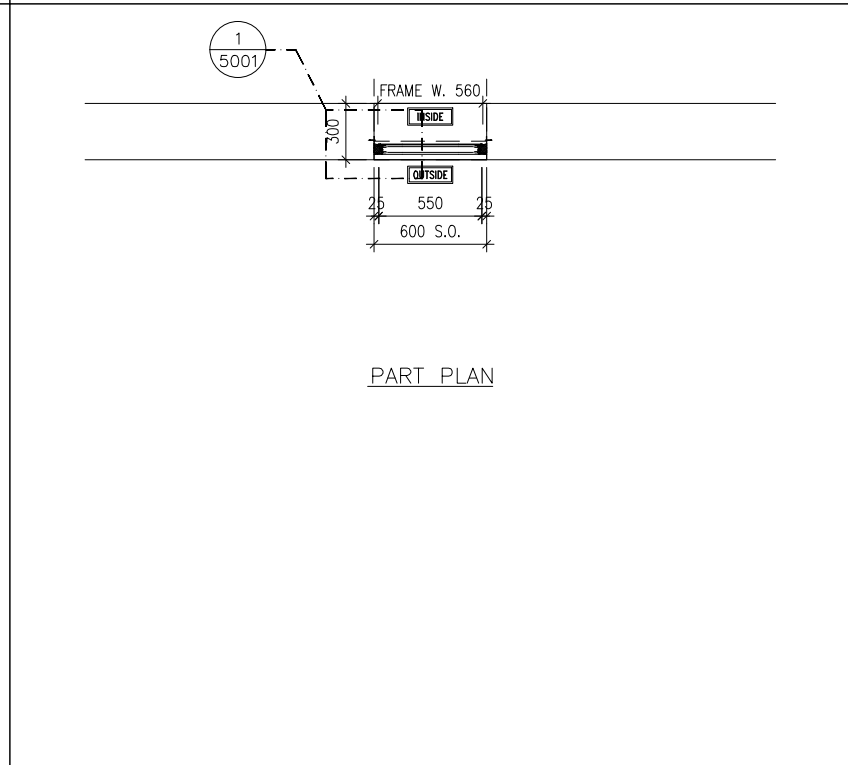


ELEVATION

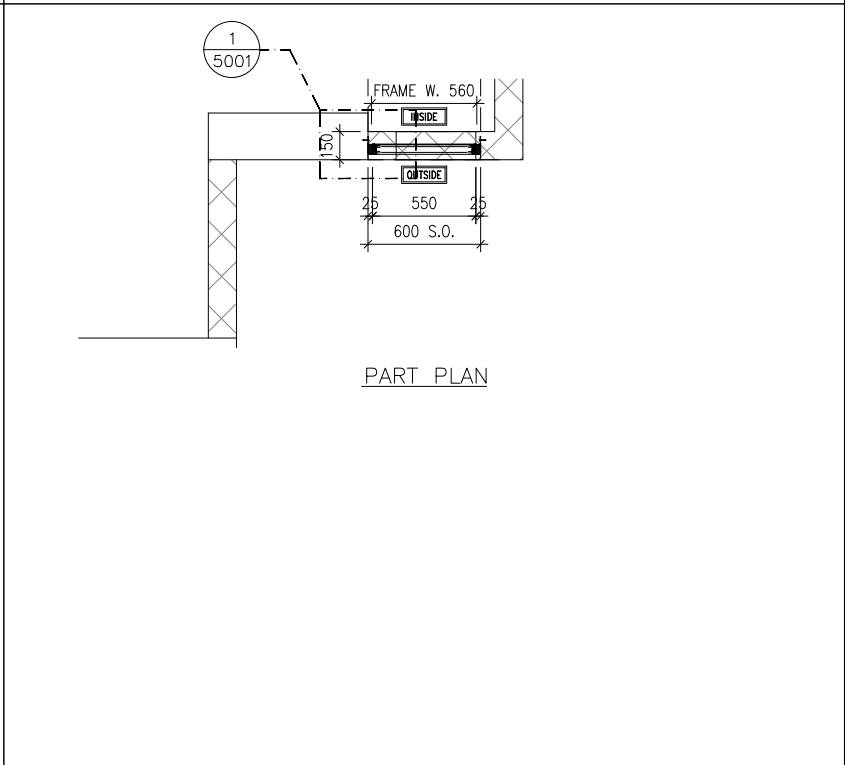
SECTION



PART PLAN



PART PLAN



PART PLAN

B.D. REF :

CLIENT :
 信和置業有限公司
 Sino Land Company Limited

ARCHITECT :
 ronald lu & partners
 Architects, Planners, Interior Designers
 Ronald Lu & Partners (HK) Ltd.
 呂元祥建築師事務所 (香港) 有限公司

MAIN CONTRACTOR :
 Gammon

STRUCTURAL ENGINEER :
 AECOM

FACADE CONSULTANT:
 AECOM

NOTE :
 1. ALL DIMENSIONS ARE IN mm.
 2. ALL ELEVATIONS ARE VIEWED FROM OUTSIDE.
 3. ALL DIMENSIONS TO BE VERIFIED ON SITE BEFORE FABRICATION.

LEGEND :
 -- DETAIL MARK NO.
 -- REFER SHEET NO.

1. F.F.L. -- FINISHED FLOOR LEVEL
 2. S.F.L. -- STRUCTURAL FLOOR LEVEL
 3. (R) -- REVERSED DETAIL

NO.	DATE	REVISED	BY
JOB NO. : J-858			
PROJECT : PROPOSED RESIDENTIAL DEVELOPMENT AT TKOTL 70RP, PHASE 11, LOHAS PARK TSEUNG KWAN O, N.T.			
TITLE : IN-SITU ALUM. LOUVER ALUM. LOUVER SCHEDULE FOR TOWER 1			

GLAZING AREA:	Required = N/A	Provided = N/A
OPENABLE AREA:	Required = N/A	Provided = N/A

GLAZING AREA:	Required = N/A	Provided = N/A
OPENABLE AREA:	Required = N/A	Provided = N/A

GLAZING AREA:	Required = N/A	Provided = N/A
OPENABLE AREA:	Required = N/A	Provided = N/A

WINDOW MARK	
LOCATION	TOWER 1 11/F(REFUGE FLOOR)
SECTION	50mm ALUM. SECTION WITH PVF2 COATING(SLIVER CHAMPAGNE COLOUR)
GLAZING	N/A
QUANTITY	2 NOS.(1 SET)
REMARKS	FREE AREA (%) : 24.21/39.12 = 0.6189 = 61.89%

WINDOW MARK	
LOCATION	TOWER 1 11/F(REFUGE FLOOR)
SECTION	50mm ALUM. SECTION WITH PVF2 COATING(SLIVER CHAMPAGNE COLOUR)
GLAZING	N/A
QUANTITY	5 NOS.
REMARKS	FREE AREA (%) : 35.01/49.10 = 0.7130 = 71.30%

WINDOW MARK	
LOCATION	TOWER 1 11/F(REFUGE FLOOR)
SECTION	50mm ALUM. SECTION WITH PVF2 COATING(SLIVER CHAMPAGNE COLOUR)
GLAZING	N/A
QUANTITY	1 NO.
REMARKS	FREE AREA (%) : 35.01/49.10 = 0.7130 = 71.30%

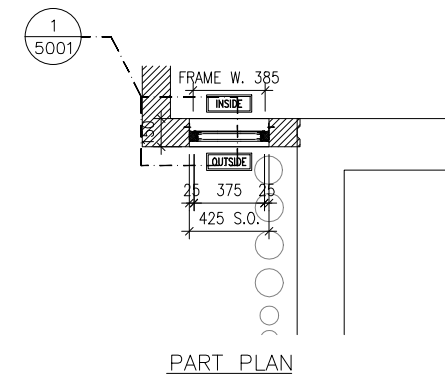
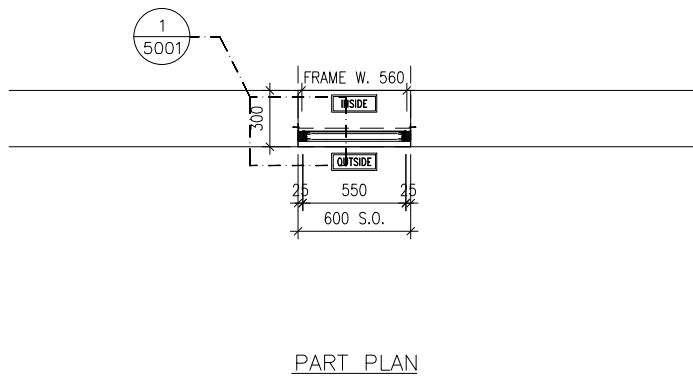
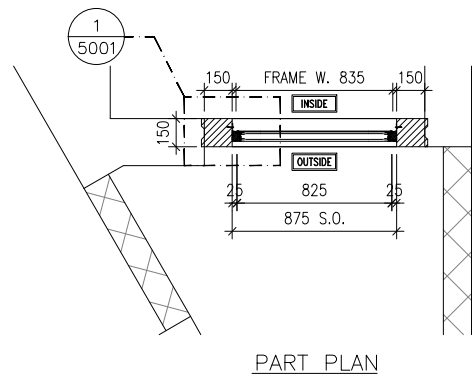
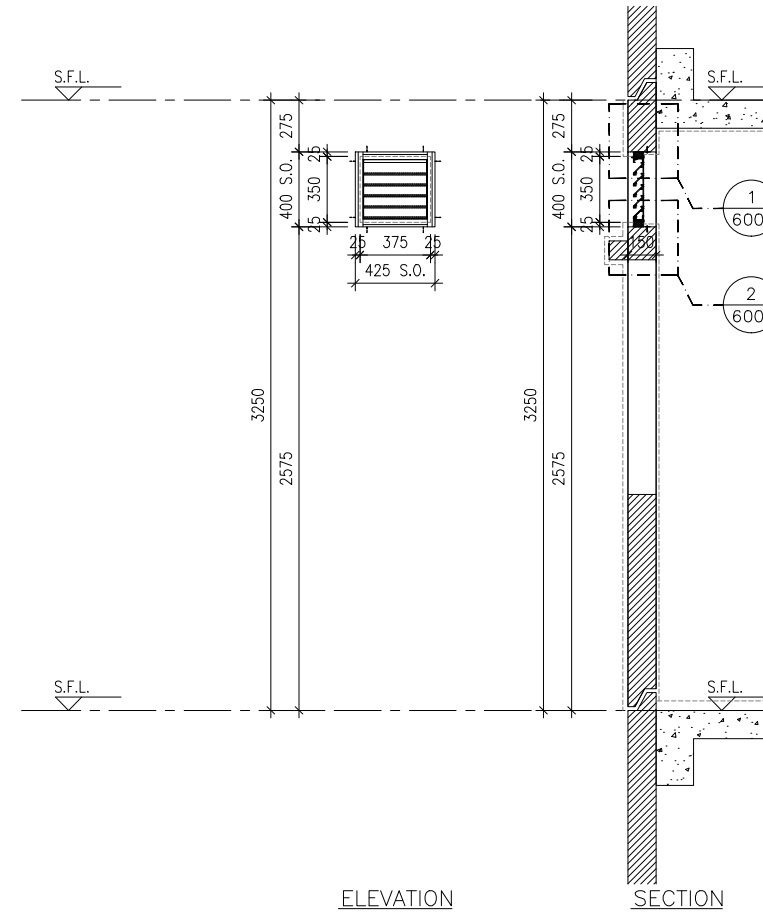
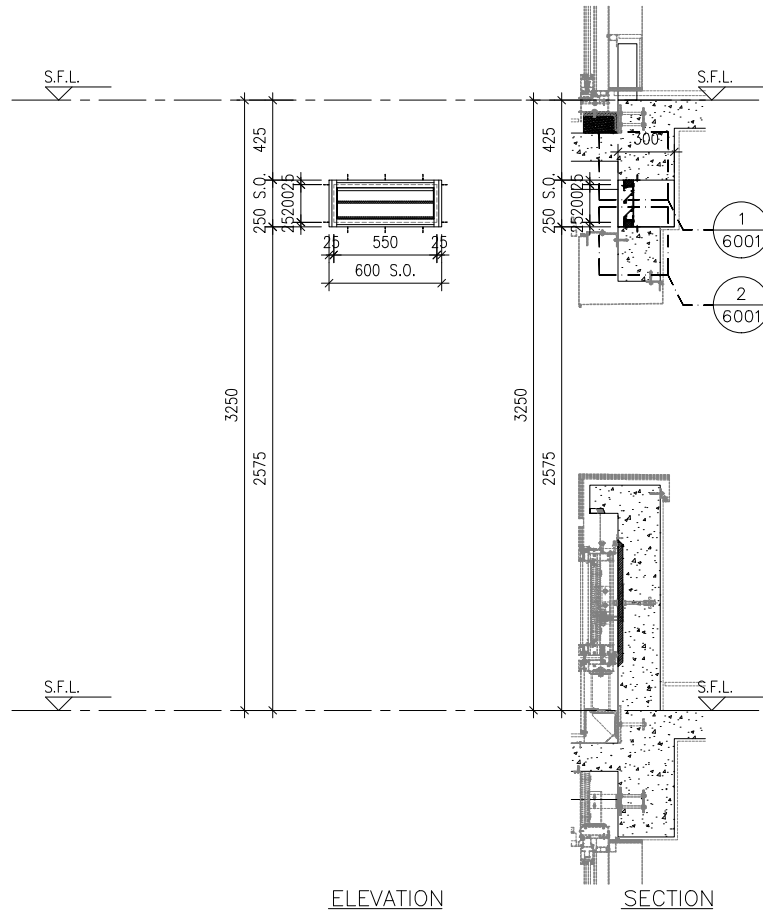
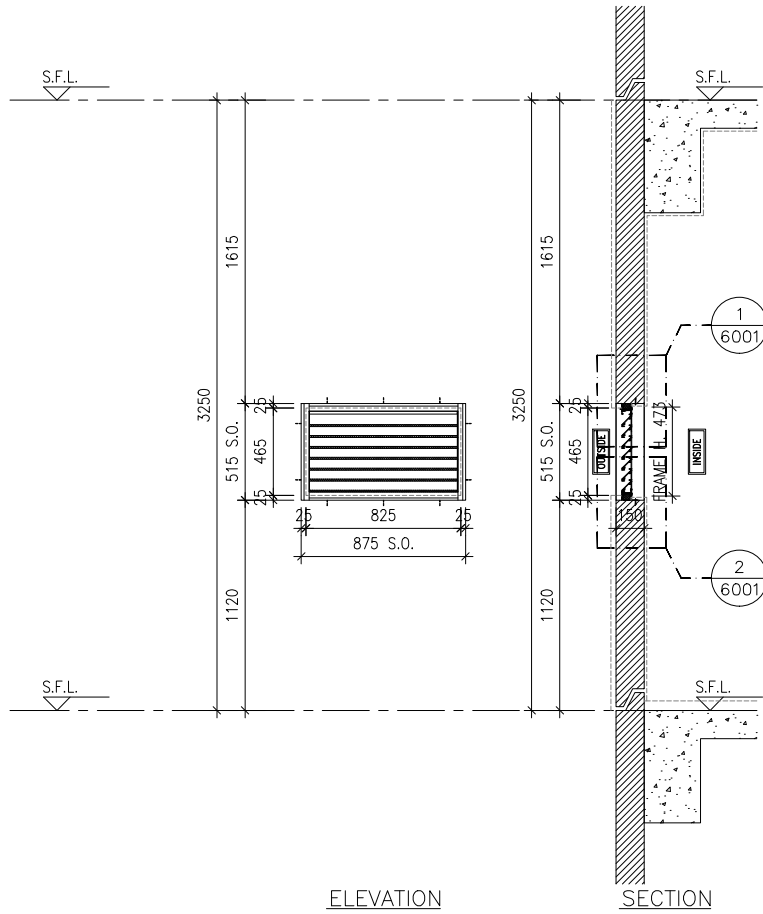
DATE : 04-OCT-21 SCALE : 1:40

DRAWN BY : CHECKED BY :

美特鋁質有限公司
 MIDI ALUMINIUM FABRICATOR LTD.
 Units 6-8, Sunray Industrial Centre, 1/F
 610 Cha Kwo Ling Road, Kowloon
 Tel:23489211-4 Fax:(852)27727666

DWG NO. : J858-IL-2101 REV. : -

ELEVATION/
PART PLAN/
SECTION



B.D. REF :

CLIENT :
 信和置業有限公司
Sino Land Company Limited

ARCHITECT :
 ronald lu & partners
Architects, Planners, Interior Designers
Ronald Lu & Partners (HK) Ltd.
呂元祥建築師事務所 (香港) 有限公司

MAIN CONTRACTOR :
 Gammon

STRUCTURAL ENGINEER :
 AECOM

FACADE CONSULTANT:
 AECOM

NOTE :
1. ALL DIMENSIONS ARE IN mm.
2. ALL ELEVATIONS ARE VIEWED FROM OUTSIDE.
3. ALL DIMENSIONS TO BE VERIFIED ON SITE BEFORE FABRICATION.

LEGEND :
 X1 --- DETAIL MARK NO.
 X001 --- REFER SHEET NO.
1. F.F.L. --- FINISHED FLOOR LEVEL
2. S.F.L. --- STRUCTURAL FLOOR LEVEL
3. (R) --- REVERSED DETAIL

NO.	DATE	REVISED	BY
-----	------	---------	----

JOB NO. : J-858
PROJECT : PROPOSED RESIDENTIAL DEVELOPMENT AT TKOTL 70RP, PHASE 11, LOHAS PARK TSEUNG KWAN O, N.T.

TITLE : IN-SITU ALUM. LOUVER ALUM. LOUVER SCHEDULE FOR TOWER 1

DATE : 04-OCT-21 SCALE : 1:40
DRAWN BY : CHECKED BY :

美特鋁質有限公司
MIDI ALUMINIUM FABRICATOR LTD.
Units 6-8, Sunray Industrial Centre, 1/F
610 Cha Kwo Ling Road, Kowloon
Tel:23489211-4 Fax:(852)27727666

DWG NO. : J858-IL-2102 REV. : -

GLAZING AREA:	Required = N/A	Provided = N/A
OPENABLE AREA:	Required = N/A	Provided = N/A

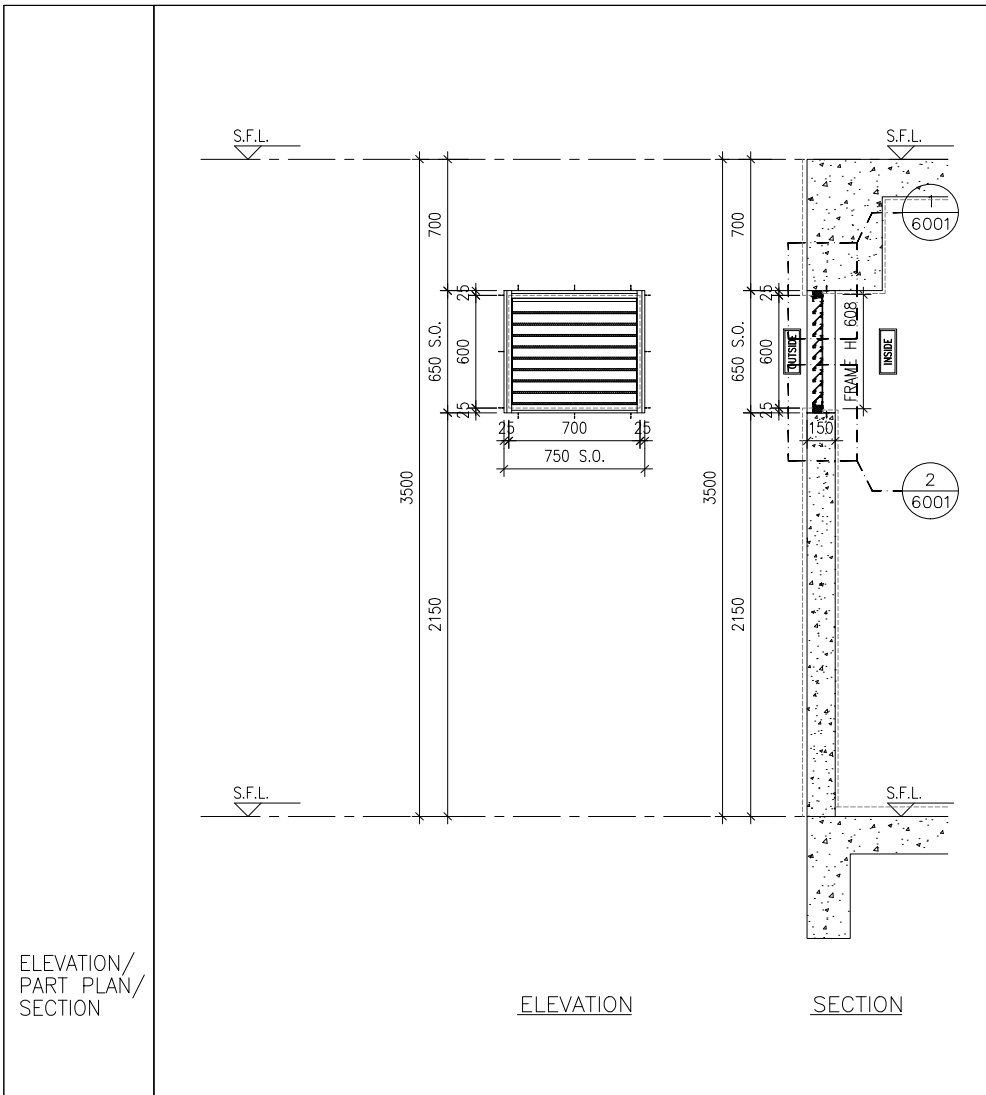
GLAZING AREA:	Required = N/A	Provided = N/A
OPENABLE AREA:	Required = N/A	Provided = N/A

GLAZING AREA:	Required = N/A	Provided = N/A
OPENABLE AREA:	Required = N/A	Provided = N/A

WINDOW MARK	
LOCATION	TOWER 1 40/F(REFUGE FLOOR)
SECTION	50mm ALUM. SECTION WITH PVF2 COATING(SLIVER CHAMPAGNE COLOUR)
GLAZING	N/A
QUANTITY	1 NO.
REMARKS	FREE AREA (%) : 18.62/33.93 = 0.5488 = 54.88%

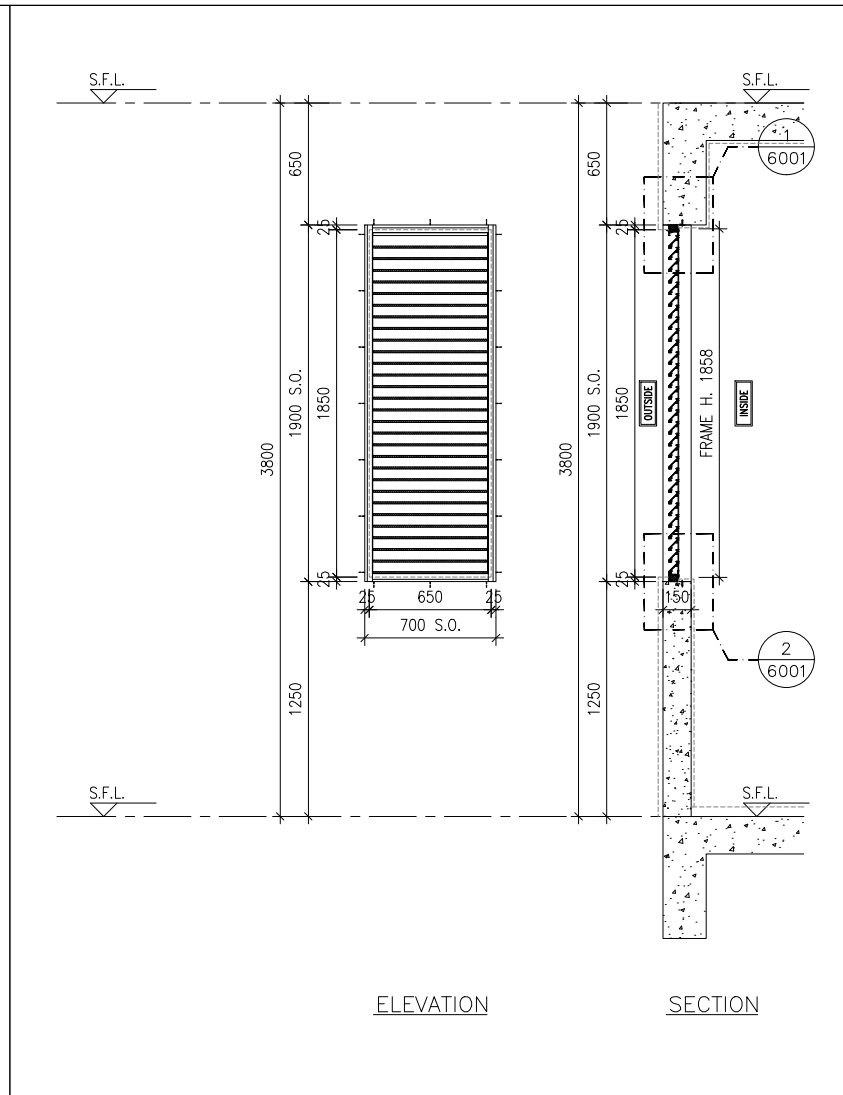
WINDOW MARK	
LOCATION	TOWER 1 40/F(REFUGE FLOOR)
SECTION	50mm ALUM. SECTION WITH PVF2 COATING(SLIVER CHAMPAGNE COLOUR)
GLAZING	N/A
QUANTITY	7 NOS.
REMARKS	FREE AREA (%) : 35.01/49.10 = 0.7130 = 71.30%

WINDOW MARK	
LOCATION	TOWER 1 40/F(REFUGE FLOOR)
SECTION	50mm ALUM. SECTION WITH PVF2 COATING(SLIVER CHAMPAGNE COLOUR)
GLAZING	N/A
QUANTITY	1 NO.
REMARKS	FREE AREA (%) : 18.84/34.14 = 0.5518 = 55.18%



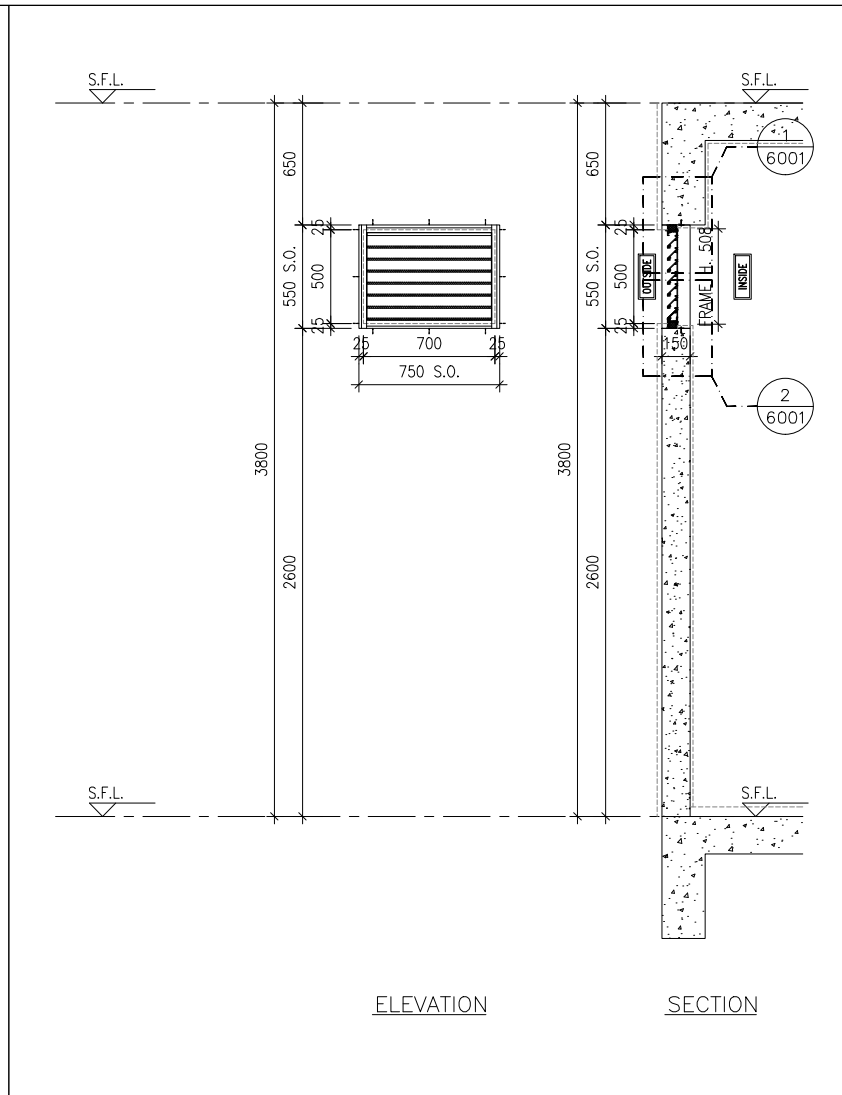
ELEVATION

SECTION



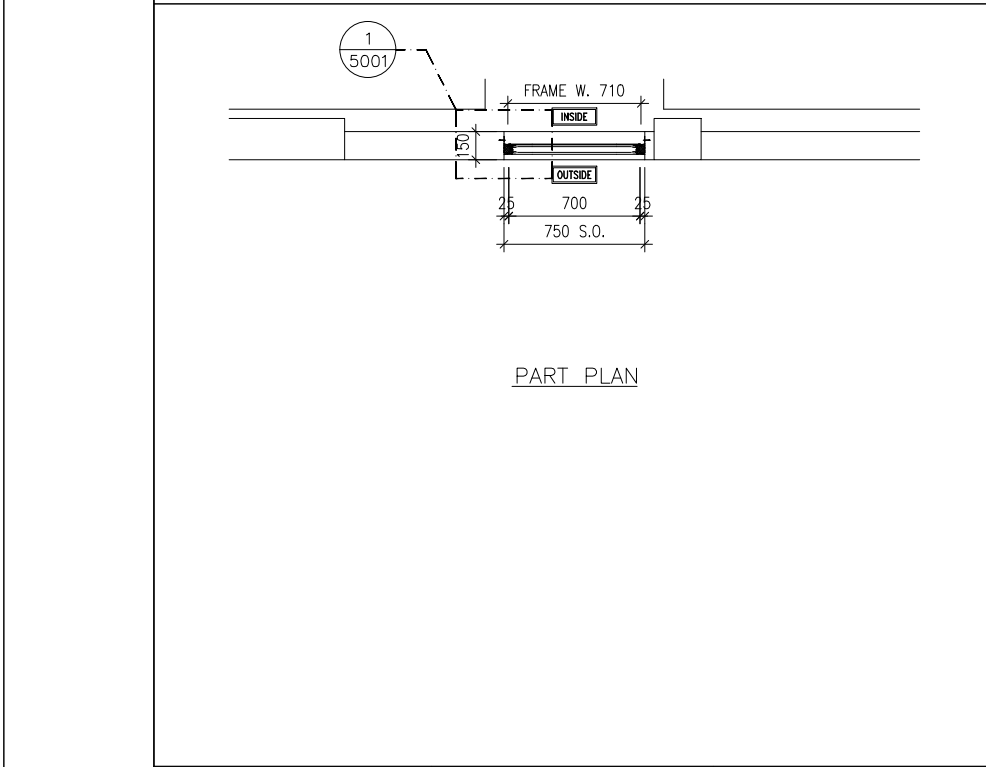
ELEVATION

SECTION

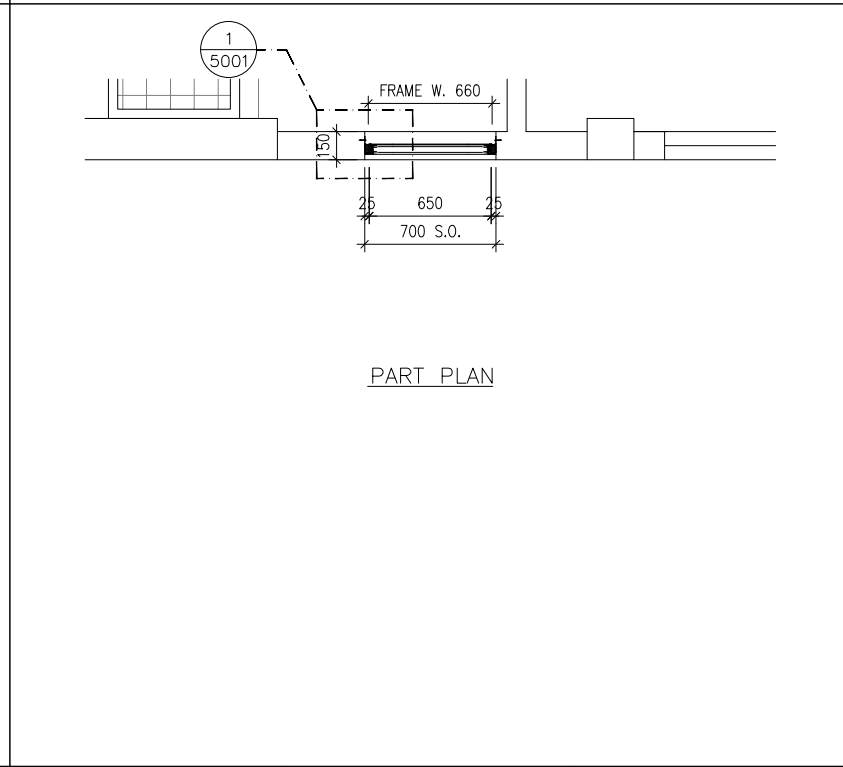


ELEVATION

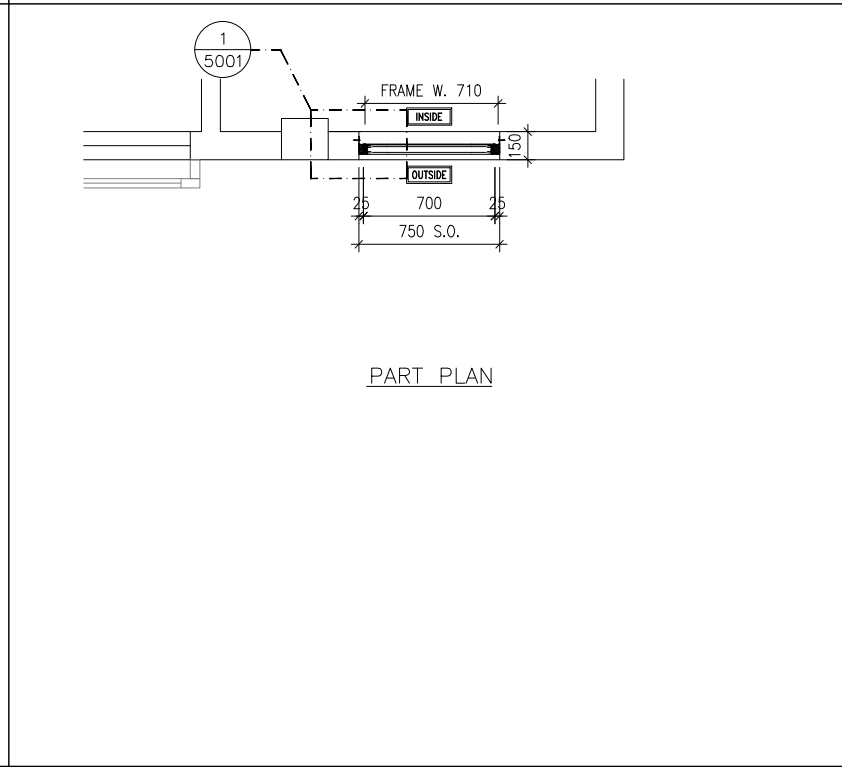
SECTION



PART PLAN



PART PLAN



PART PLAN

B.D. REF :

CLIENT :
 信和置業有限公司
 Sino Land Company Limited

ARCHITECT :
 ronald lu & partners
 Ronald Lu & Partners (HK) Ltd.
 呂元祥建築師事務所 (香港) 有限公司

MAIN CONTRACTOR :
 Gammon

STRUCTURAL ENGINEER :
 AECOM

FAÇADE CONSULTANT:
 AECOM

NOTE :
 1. ALL DIMENSIONS ARE IN mm.
 2. ALL ELEVATIONS ARE VIEWED FROM OUTSIDE.
 3. ALL DIMENSIONS TO BE VERIFIED ON SITE BEFORE FABRICATION.

LEGEND :
 (X1) --- DETAIL MARK NO.
 (X001) --- REFER SHEET NO.

1. F.F.L. --- FINISHED FLOOR LEVEL
 2. S.F.L. --- STRUCTURAL FLOOR LEVEL
 3. (R) --- REVERSED DETAIL

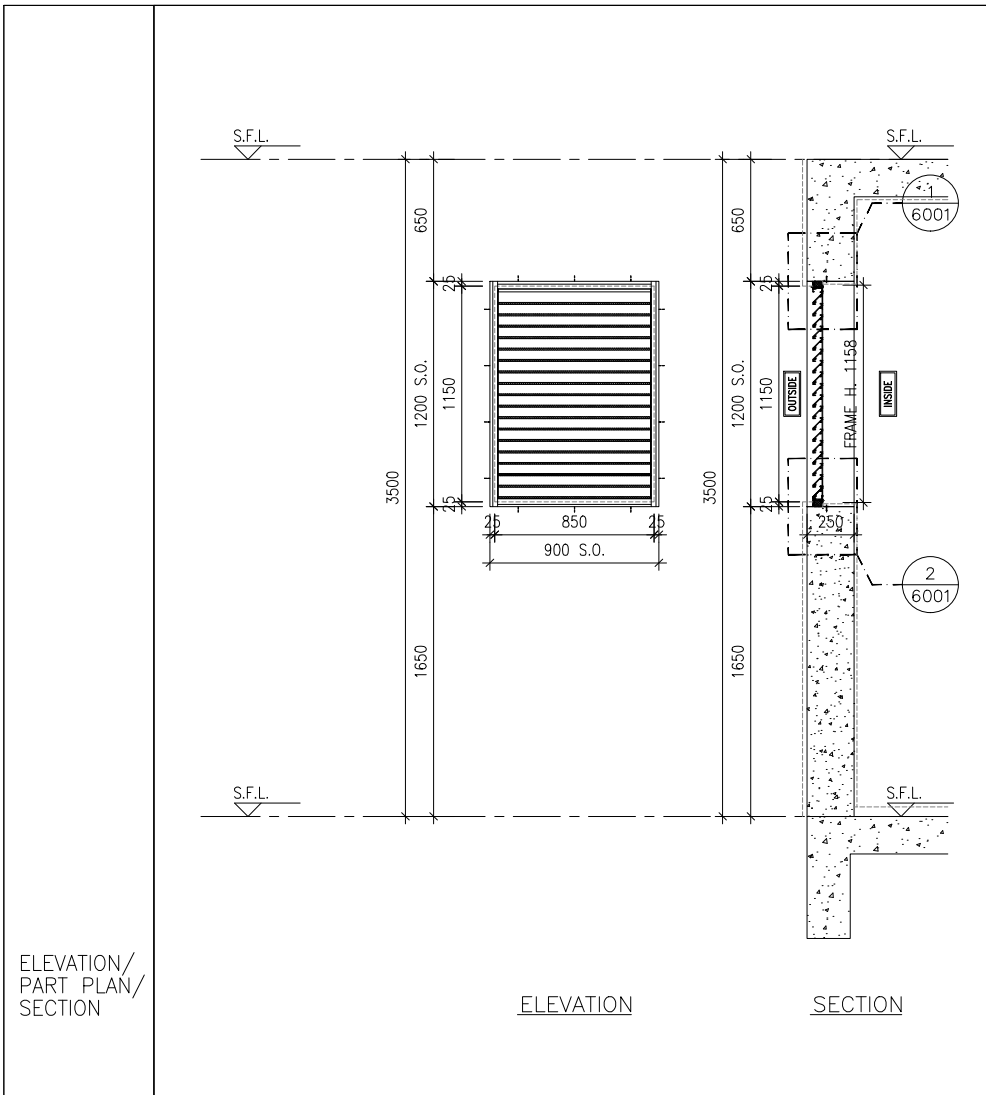
NO.	DATE	REVISED	BY
JOB NO. : J-858			
PROJECT : PROPOSED RESIDENTIAL DEVELOPMENT AT TKOTL 70RP, PHASE 11, LOHAS PARK TSEUNG KWAN O, N.T.			
TITLE : IN-SITU ALUM. LOUVER ALUM. LOUVER SCHEDULE FOR TOWER 1			

GLAZING AREA:	Required = N/A	Provided = N/A
OPENABLE AREA:	Required = N/A	Provided = N/A
WINDOW MARK		
LOCATION	TOWER 1 UPPER ROOF	
SECTION	50mm ALUM. SECTION WITH PVF2 COATING(SLIVER CHAMPAGNE COLOUR)	
GLAZING	N/A	
QUANTITY	1 NO.	
REMARKS	FREE AREA (%) : 20.08/35.28 = 0.5692 = 56.92%	

GLAZING AREA:	Required = N/A	Provided = N/A
OPENABLE AREA:	Required = N/A	Provided = N/A
WINDOW MARK		
LOCATION	TOWER 1 LIFT MACHINE ROOM	
SECTION	50mm ALUM. SECTION WITH PVF2 COATING(SLIVER CHAMPAGNE COLOUR)	
GLAZING	N/A	
QUANTITY	1 NO.	
REMARKS	FREE AREA (%) : 20.96/36.10 = 0.5806 = 58.06%	

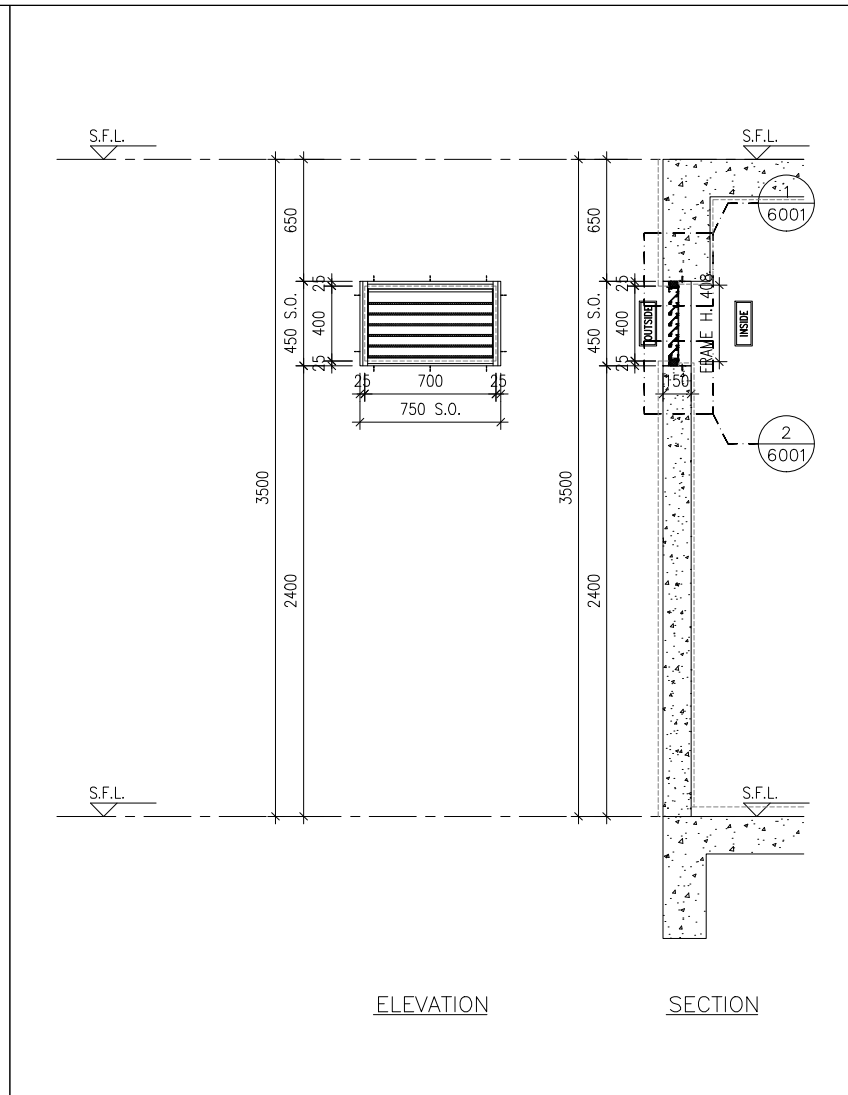
GLAZING AREA:	Required = N/A	Provided = N/A
OPENABLE AREA:	Required = N/A	Provided = N/A
WINDOW MARK		
LOCATION	TOWER 1 LIFT MACHINE ROOM	
SECTION	50mm ALUM. SECTION WITH PVF2 COATING(SLIVER CHAMPAGNE COLOUR)	
GLAZING	N/A	
QUANTITY	1 NO.	
REMARKS	FREE AREA (%) : 22.28/37.33 = 0.5968 = 59.68%	

DATE : 04-OCT-21	SCALE : 1:40
DRAWN BY :	CHECKED BY :
美特鋁質有限公司 MIDI ALUMINIUM FABRICATOR LTD. Units 6-8, Sunray Industrial Centre, 1/F 610 Cha Kwo Ling Road, Kowloon Tel:23489211-4 Fax:(852)2727666	
DWG NO. : J858-IL-2103	REV. : -



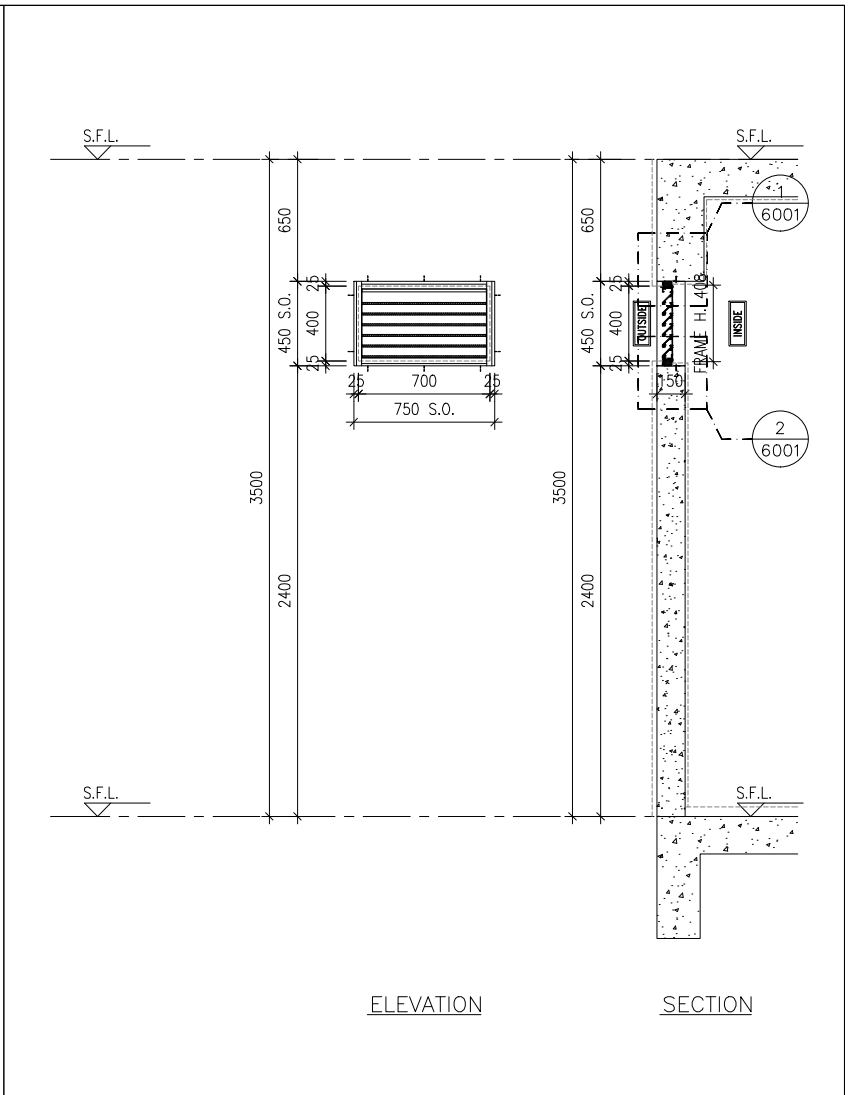
ELEVATION

SECTION



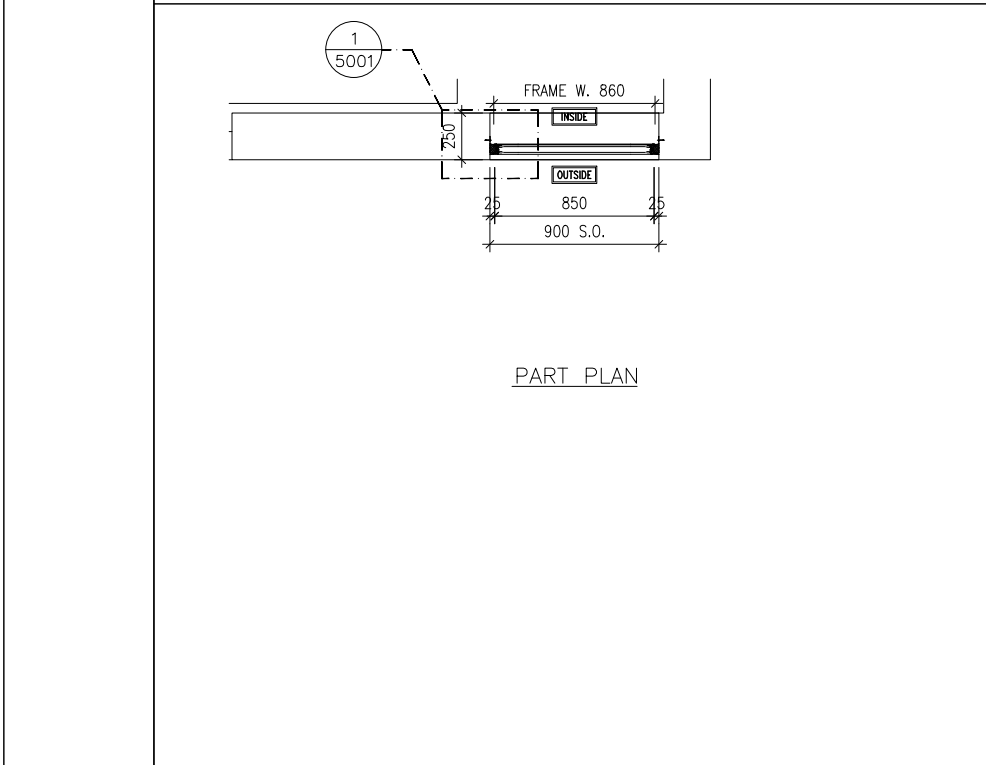
ELEVATION

SECTION

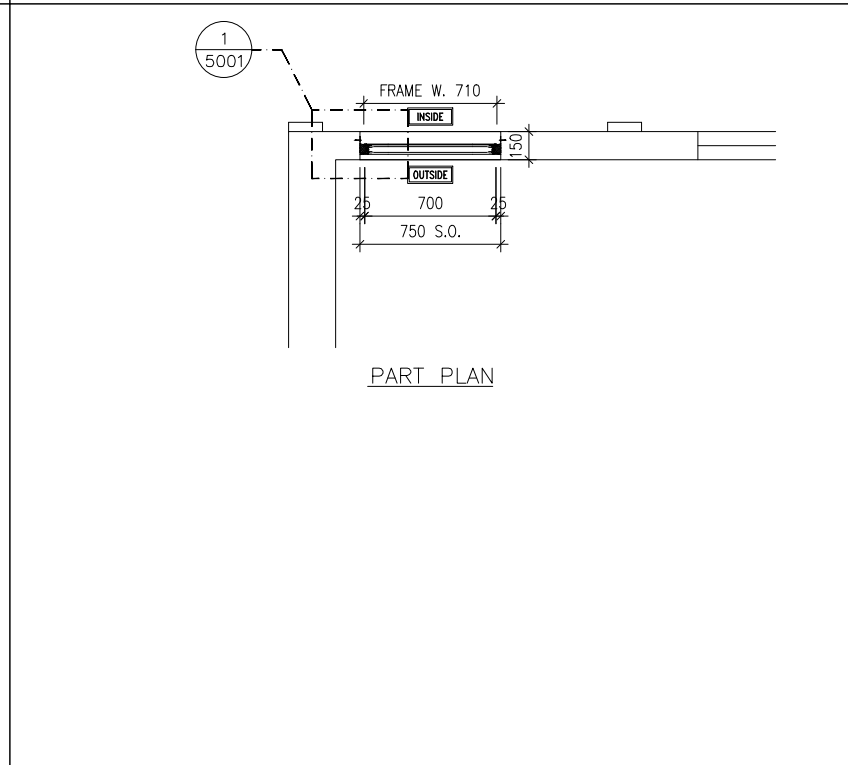


ELEVATION

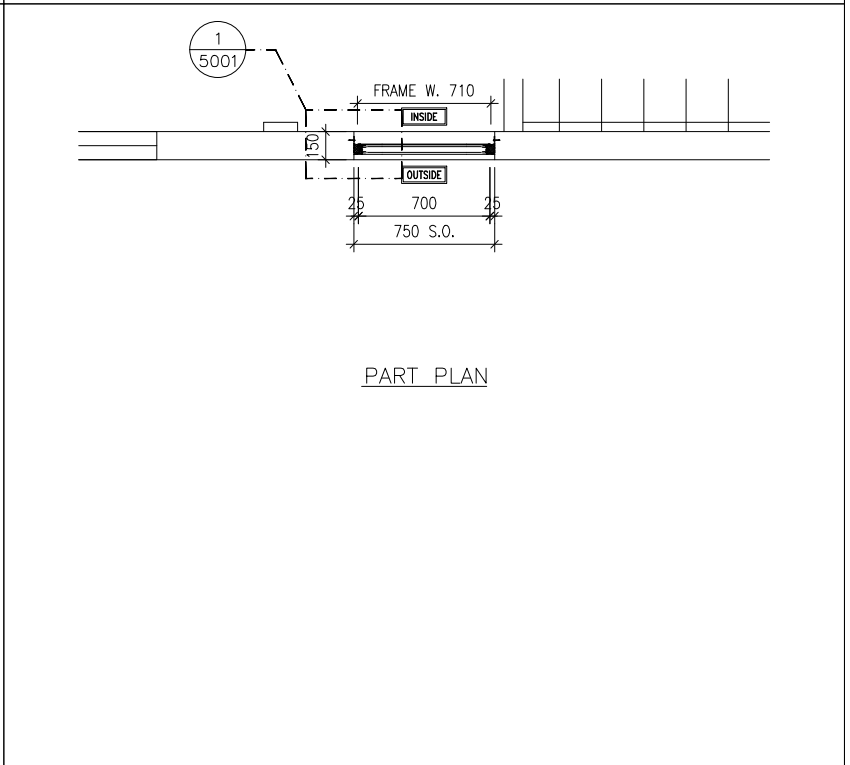
SECTION



PART PLAN



PART PLAN



PART PLAN

B.D. REF :

CLIENT :
 信和置業有限公司
 Sino Land Company Limited

ARCHITECT :
 ronald lu & partners
 Architectural Planners Interior Designers
 Ronald Lu & Partners (HK) Ltd.
 呂元祥建築師事務所 (香港) 有限公司

MAIN CONTRACTOR :
 Gammon

STRUCTURAL ENGINEER :
 AECOM

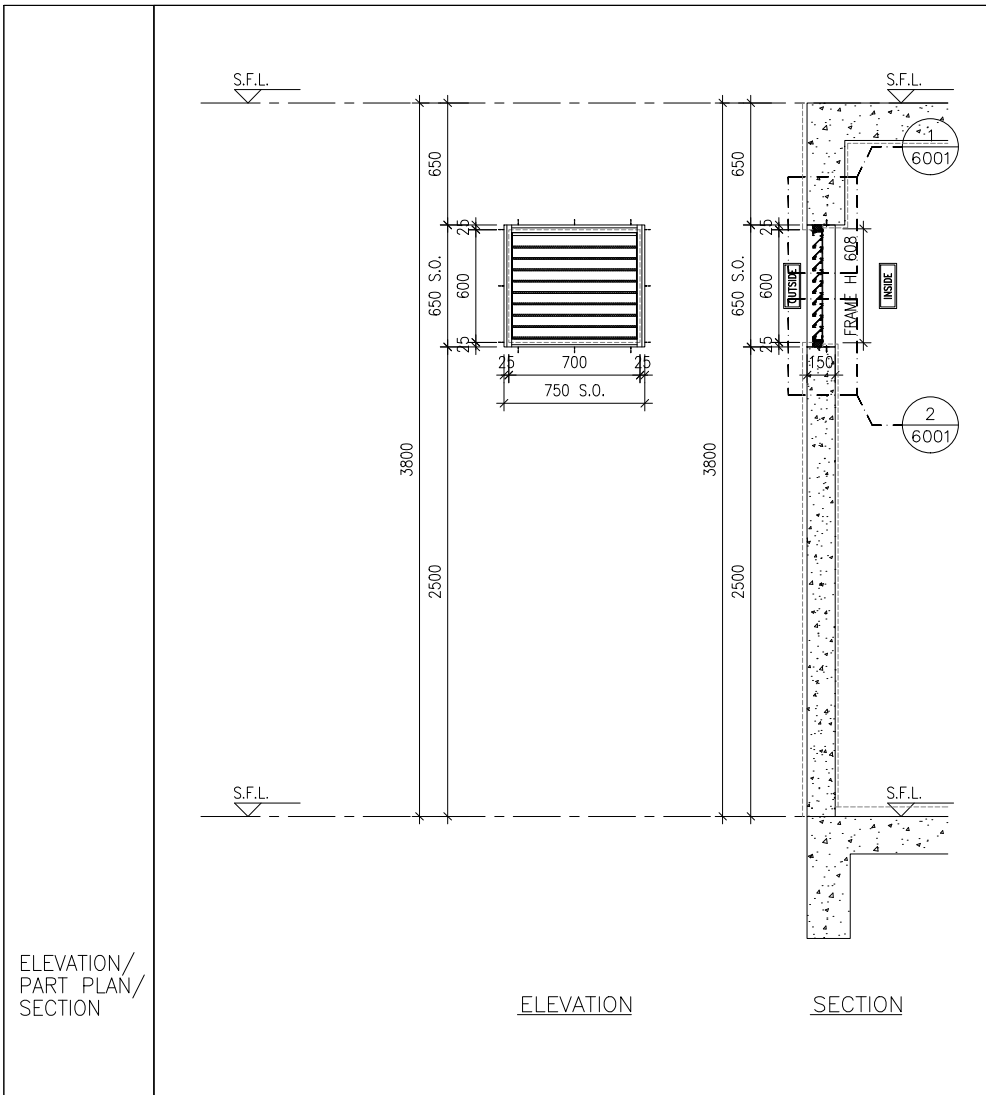
FAÇADE CONSULTANT:
 AECOM

- NOTE :
1. ALL DIMENSIONS ARE IN mm.
 2. ALL ELEVATIONS ARE VIEWED FROM OUTSIDE.
 3. ALL DIMENSIONS TO BE VERIFIED ON SITE BEFORE FABRICATION.
- LEGEND :
- ① --- DETAIL MARK NO.
 X001 --- REFER SHEET NO.
1. F.F.L. --- FINISHED FLOOR LEVEL
 2. S.F.L. --- STRUCTURAL FLOOR LEVEL
 3. (R) --- REVERSED DETAIL

NO.	DATE	REVISED	BY
JOB NO. : J-858			
PROJECT : PROPOSED RESIDENTIAL DEVELOPMENT AT TKOTL 70RP, PHASE 11, LOHAS PARK TSEUNG KWAN O, N.T.			
TITLE : IN-SITU ALUM. LOUVER ALUM. LOUVER SCHEDULE FOR TOWER 1			
DATE : 04-OCT-21	SCALE : 1:40		
DRAWN BY :	CHECKED BY :		
WINDOW MARK			
LOCATION	TOWER 1 UPPER ROOF		
SECTION	50mm ALUM. SECTION WITH PVF2 COATING(SLIVER CHAMPAGNE COLOUR)		
GLAZING	N/A		
QUANTITY	1 NO.		
REMARKS	FREE AREA (%) : 20.27/35.46 = 0.5716 = 57.16%	FREE AREA (%) : 17.77/33.14 = 0.5362 = 53.62%	FREE AREA (%) : 17.77/33.14 = 0.5362 = 53.62%

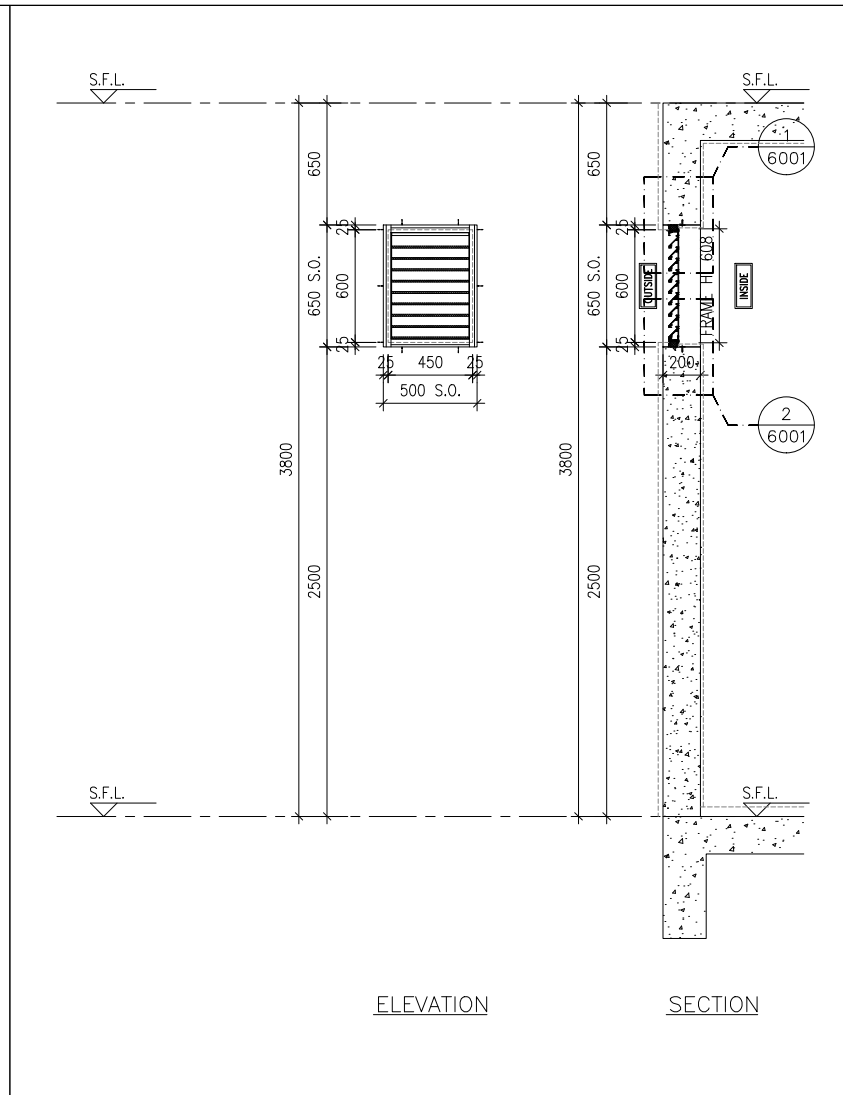
DWG NO. : J858-IL-2104 REV. : -

美特鋁質有限公司
 MIDI ALUMINIUM FABRICATOR LTD.
 Units 6-8, Sunray Industrial Centre, 1/F
 610 Cha Kwo Ling Road, Kowloon
 Tel:23489211-4 Fax:(852)27727666



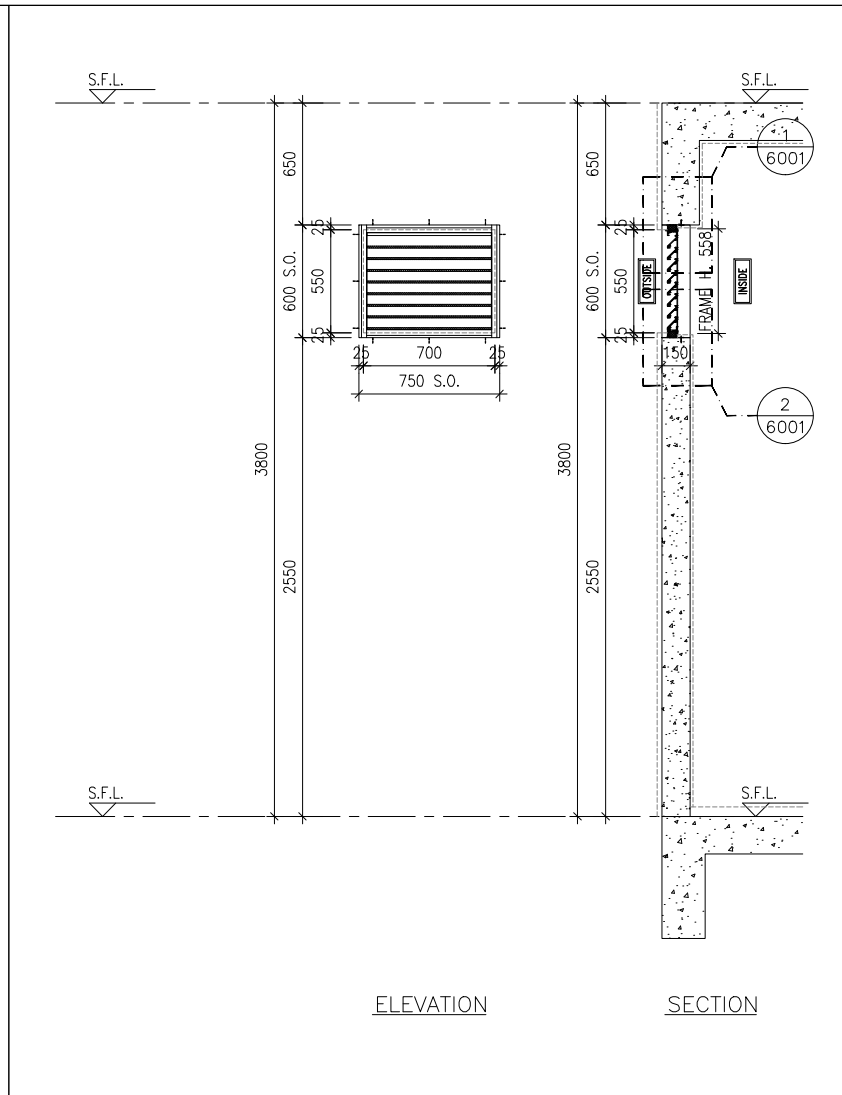
ELEVATION

SECTION



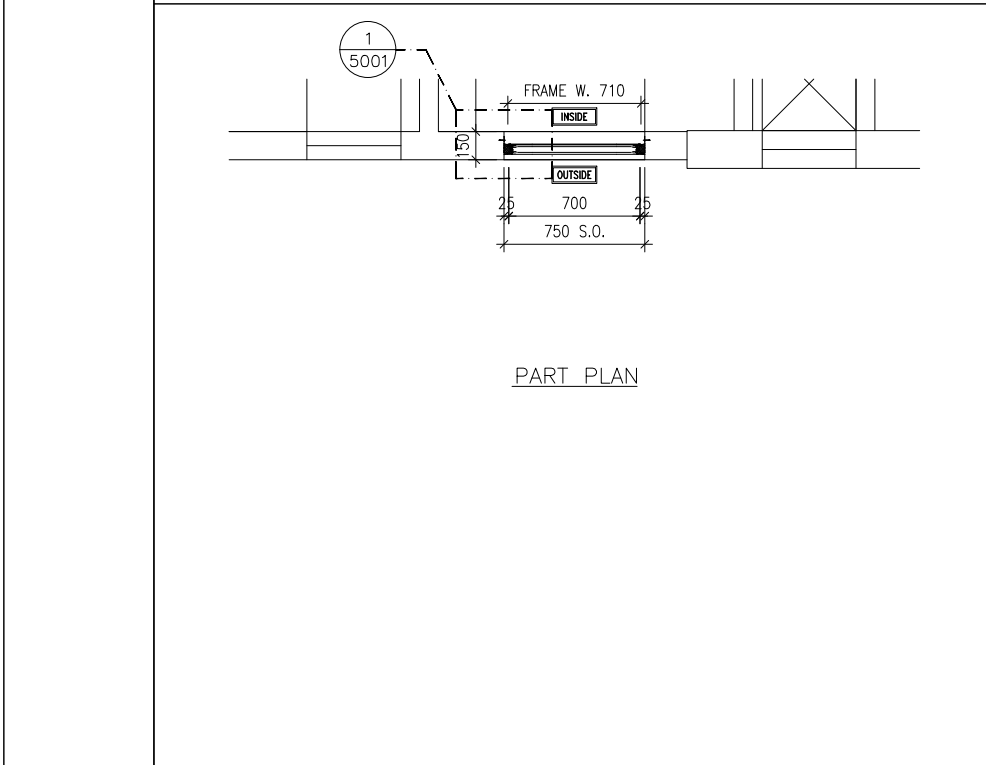
ELEVATION

SECTION

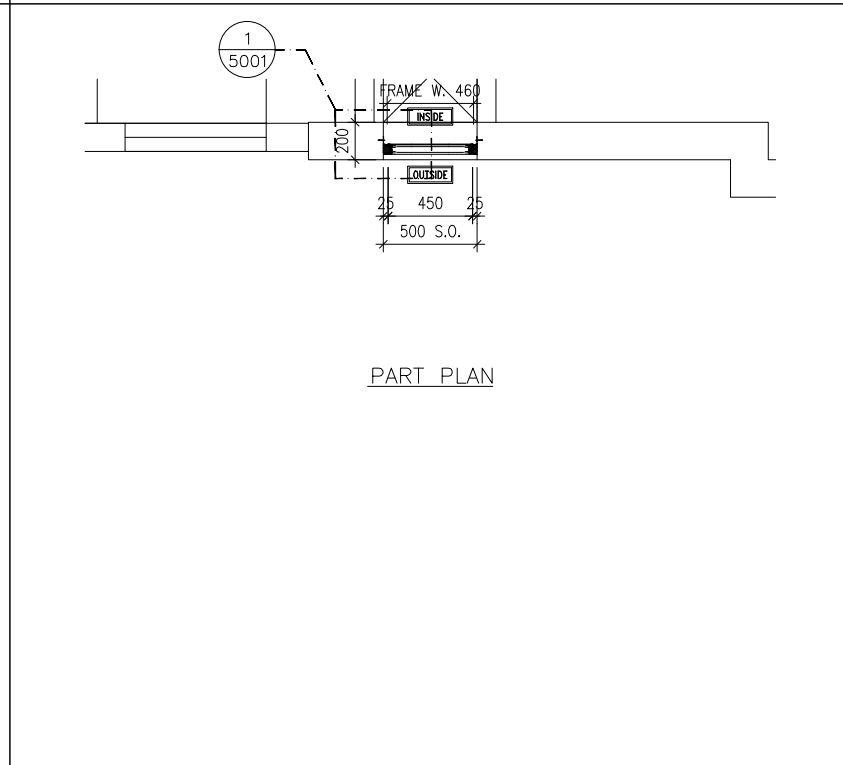


ELEVATION

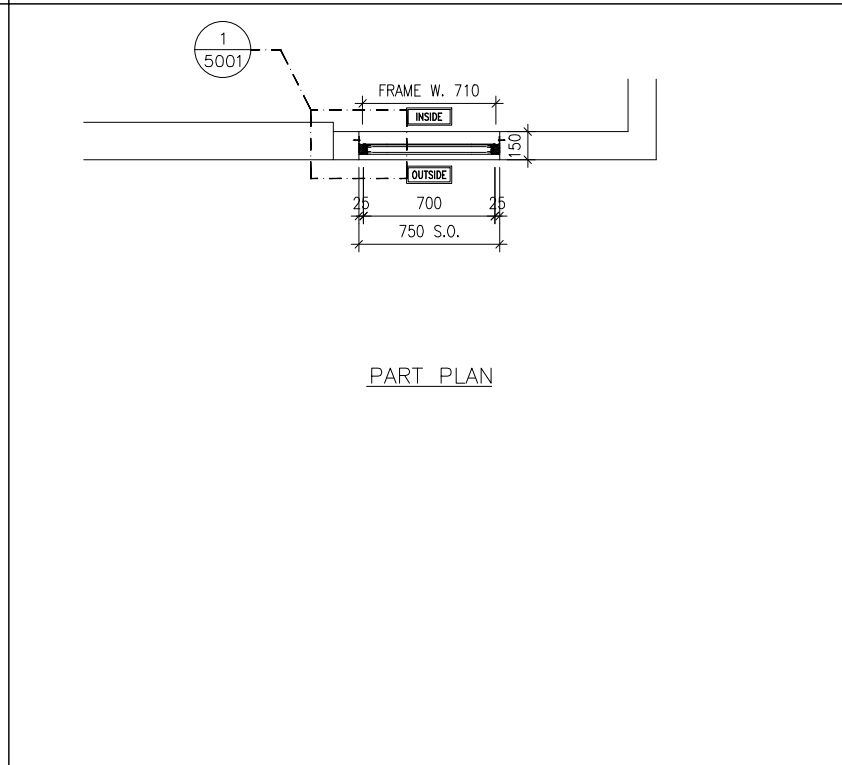
SECTION



PART PLAN



PART PLAN



PART PLAN

B.D. REF :

CLIENT : 信和置業有限公司
Sino Land Company Limited

ARCHITECT : ronald lu & partners
Architects, Planners, Interior Designers
Ronald Lu & Partners (HK) Ltd.
呂元祥建築師事務所 (香港) 有限公司

MAIN CONTRACTOR : Gammon

STRUCTURAL ENGINEER : AECOM

FAÇADE CONSULTANT: AECOM

NOTE :

1. ALL DIMENSIONS ARE IN mm.
2. ALL ELEVATIONS ARE VIEWED FROM OUTSIDE.
3. ALL DIMENSIONS TO BE VERIFIED ON SITE BEFORE FABRICATION.

LEGEND :

x1 ———— DETAIL MARK NO.
x001 ———— REFER SHEET NO.

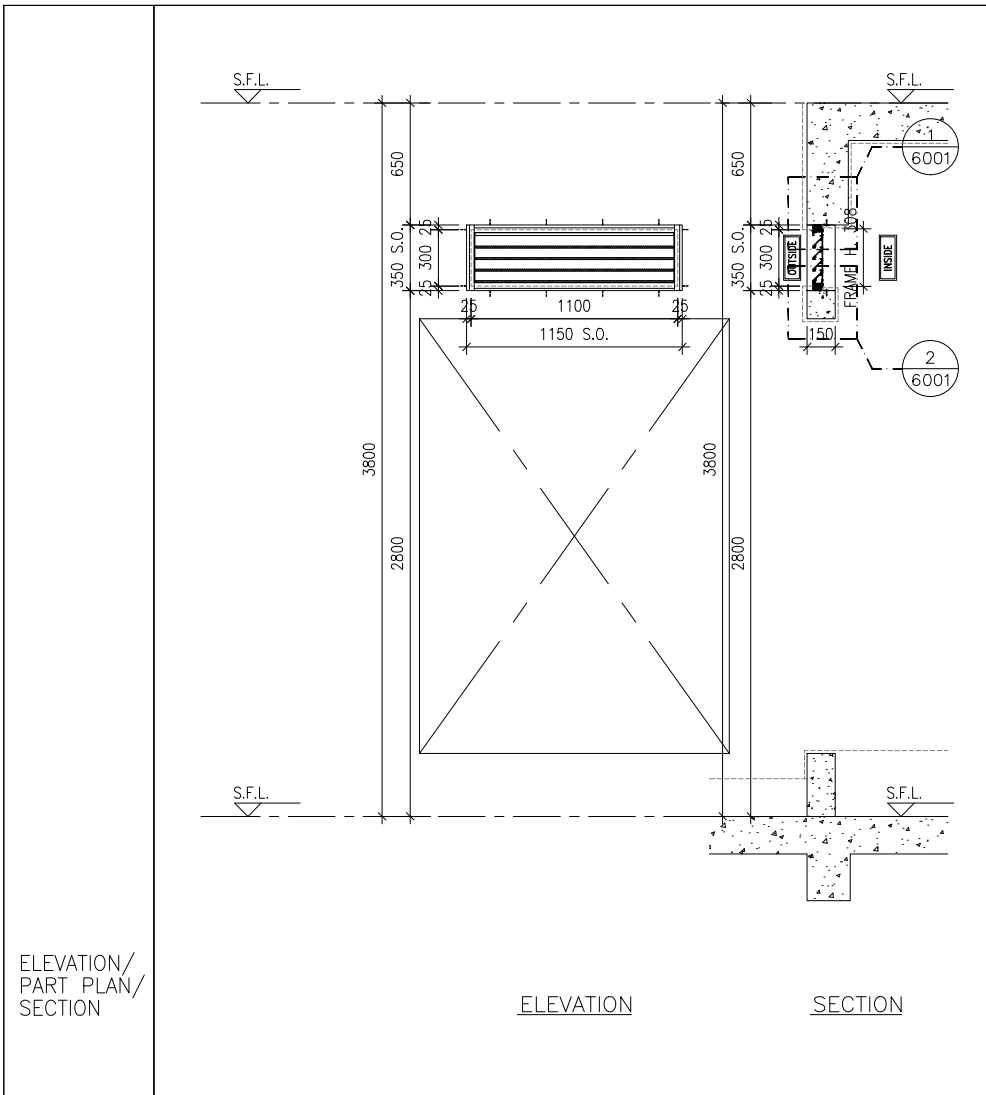
1. F.F.L. --- FINISHED FLOOR LEVEL
2. S.F.L. --- STRUCTURAL FLOOR LEVEL
3. (R) --- REVERSED DETAIL

NO.	DATE	REVISED	BY
JOB NO. : J-858			
PROJECT : PROPOSED RESIDENTIAL DEVELOPMENT AT TKOTL 70RP, PHASE 11, LOHAS PARK TSEUNG KWAN O, N.T.			
TITLE : IN-SITU ALUM. LOUVER ALUM. LOUVER SCHEDULE FOR TOWER 1			
DATE : 04-OCT-21		SCALE : 1:40	
DRAWN BY :		CHECKED BY :	
 美特鋁質有限公司 MIDI ALUMINIUM FABRICATOR LTD. Units 6-8, Sunray Industrial Centre, 1/F 610 Cha Kwo Ling Road, Kowloon Tel:23489211-4 Fax:(852)27727666			
DWG NO. : J858-IL-2105		REV. : -	

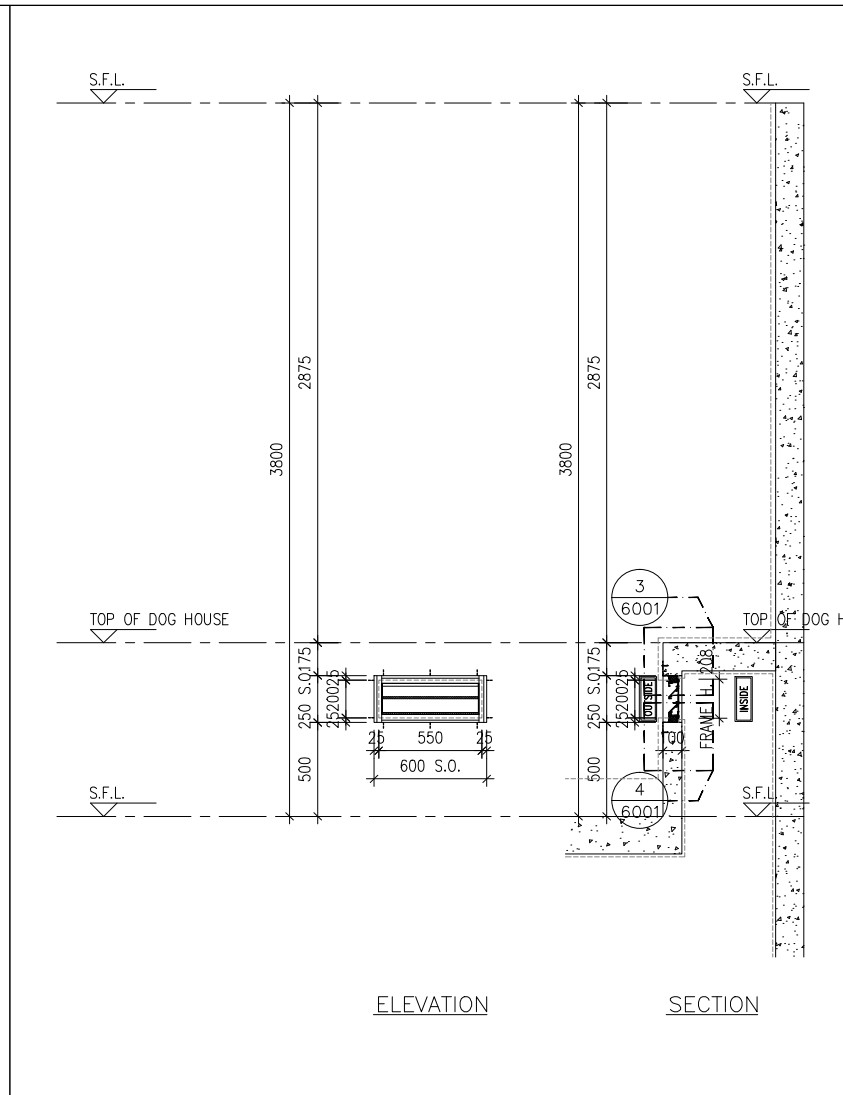
GLAZING AREA:	Required = N/A	Provided = N/A
OPENABLE AREA:	Required = N/A	Provided = N/A
WINDOW MARK	T1-LMR / L07	
LOCATION	TOWER 1 LIFT MACHINE ROOM	
SECTION	50mm ALUM. SECTION WITH PVF2 COATING(SLIVER CHAMPAGNE COLOUR)	
GLAZING	N/A	
QUANTITY	1 NO.	
REMARKS	FREE AREA (%) : 20.08/35.28 = 0.5692 = 56.92%	

GLAZING AREA:	Required = N/A	Provided = N/A
OPENABLE AREA:	Required = N/A	Provided = N/A
WINDOW MARK	T1-LMR / L08	
LOCATION	TOWER 1 LIFT MACHINE ROOM	
SECTION	50mm ALUM. SECTION WITH PVF2 COATING(SLIVER CHAMPAGNE COLOUR)	
GLAZING	N/A	
QUANTITY	1 NO.	
REMARKS	FREE AREA (%) : 20.08/35.28 = 0.5692 = 56.92%	

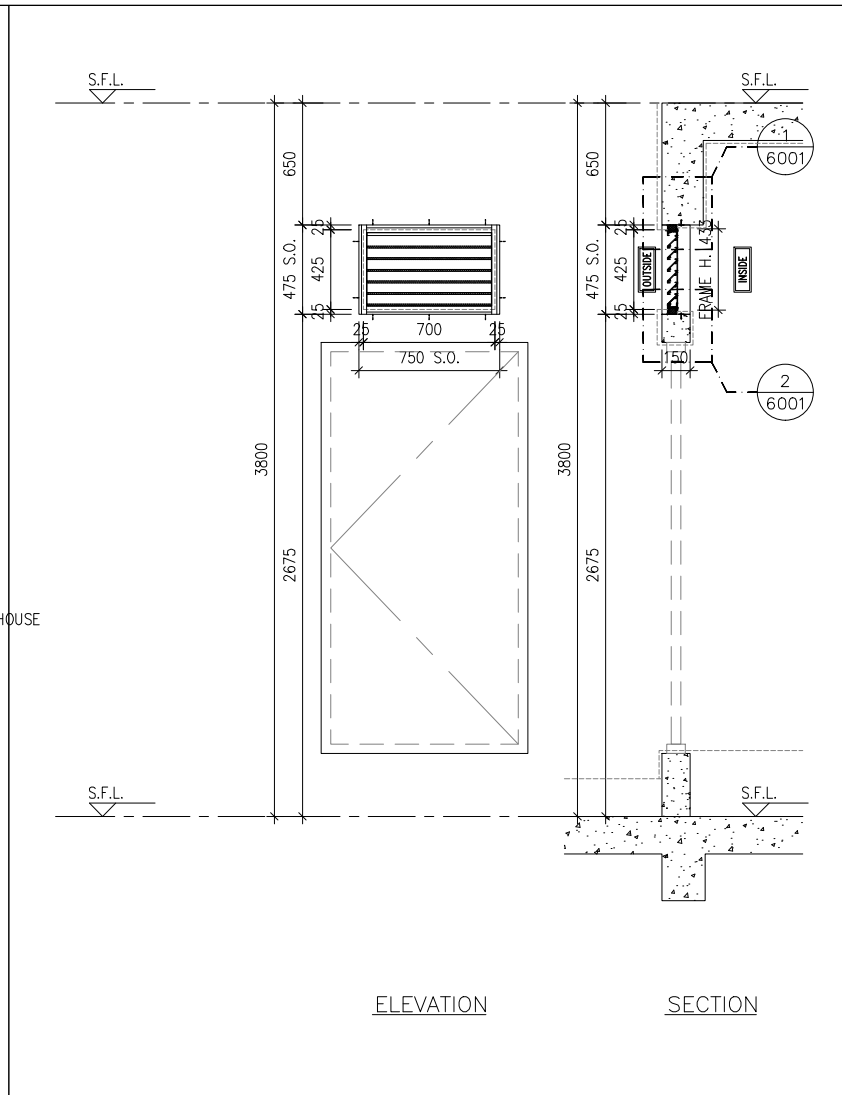
GLAZING AREA:	Required = N/A	Provided = N/A
OPENABLE AREA:	Required = N/A	Provided = N/A
WINDOW MARK	T1-LMR / L09	
LOCATION	TOWER 1 LIFT MACHINE ROOM	
SECTION	50mm ALUM. SECTION WITH PVF2 COATING(SLIVER CHAMPAGNE COLOUR)	
GLAZING	N/A	
QUANTITY	1 NO.	
REMARKS	FREE AREA (%) : 18.62/33.93 = 0.5488 = 54.88%	



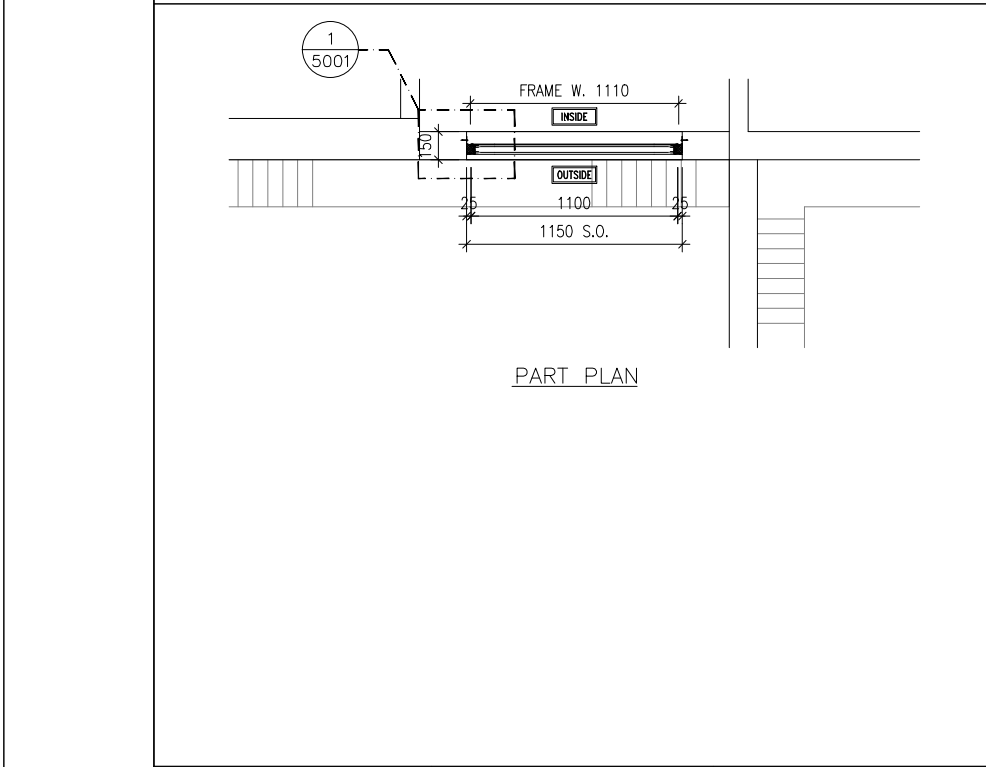
ELEVATION SECTION



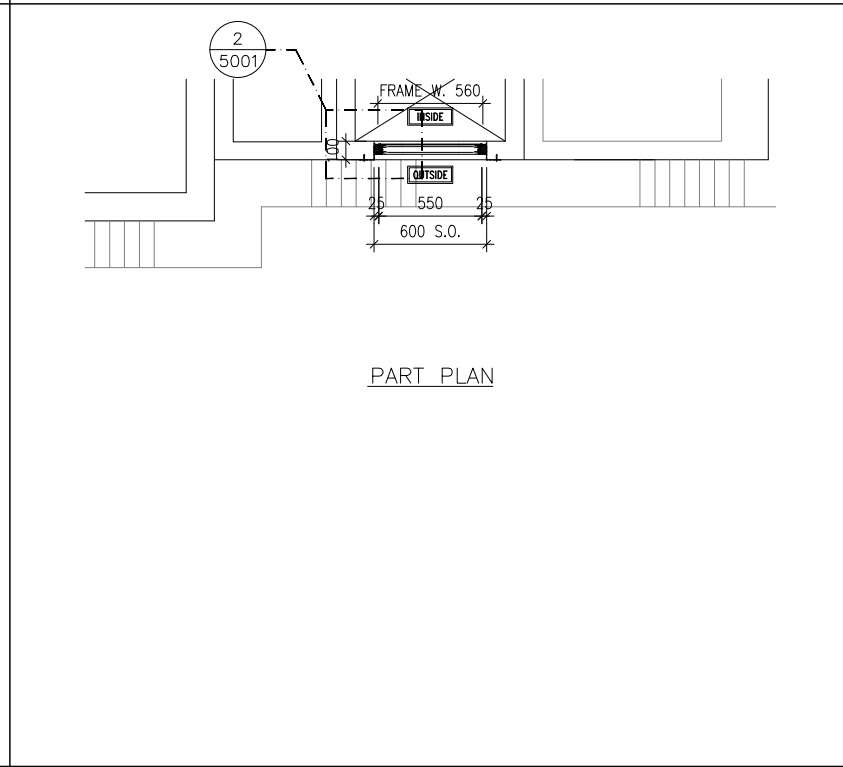
ELEVATION SECTION



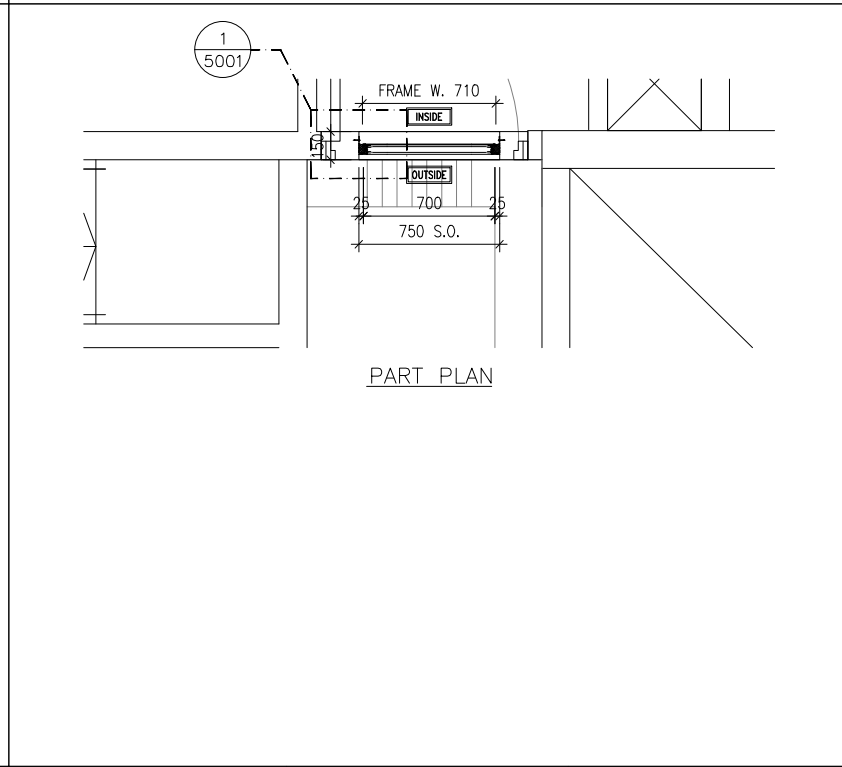
ELEVATION SECTION



PART PLAN



PART PLAN



PART PLAN

B.D. REF :

CLIENT : 信和置業有限公司 Sino Land Company Limited

ARCHITECT : ronald lu & partners
Ronald Lu & Partners (HK) Ltd.
呂元祥建築師事務所 (香港) 有限公司

MAIN CONTRACTOR : Gammon

STRUCTURAL ENGINEER : AECOM

FACADE CONSULTANT: AECOM

- NOTE :
- ALL DIMENSIONS ARE IN mm.
 - ALL ELEVATIONS ARE VIEWED FROM OUTSIDE.
 - ALL DIMENSIONS TO BE VERIFIED ON SITE BEFORE FABRICATION.
- LEGEND :
- x1 - DETAIL MARK NO.
 - x001 - REFER SHEET NO.
 - 1. F.F.L. -- FINISHED FLOOR LEVEL
 - 2. S.F.L. -- STRUCTURAL FLOOR LEVEL
 - 3. (R) -- REVERSED DETAIL

NO.	DATE	REVISED	BY
JOB NO. : J-858			
PROJECT : PROPOSED RESIDENTIAL DEVELOPMENT AT TKOTL 70RP, PHASE 11, LOHAS PARK TSEUNG KWAN O, N.T.			
TITLE : IN-SITU ALUM. LOUVER ALUM. LOUVER SCHEDULE FOR TOWER 1			

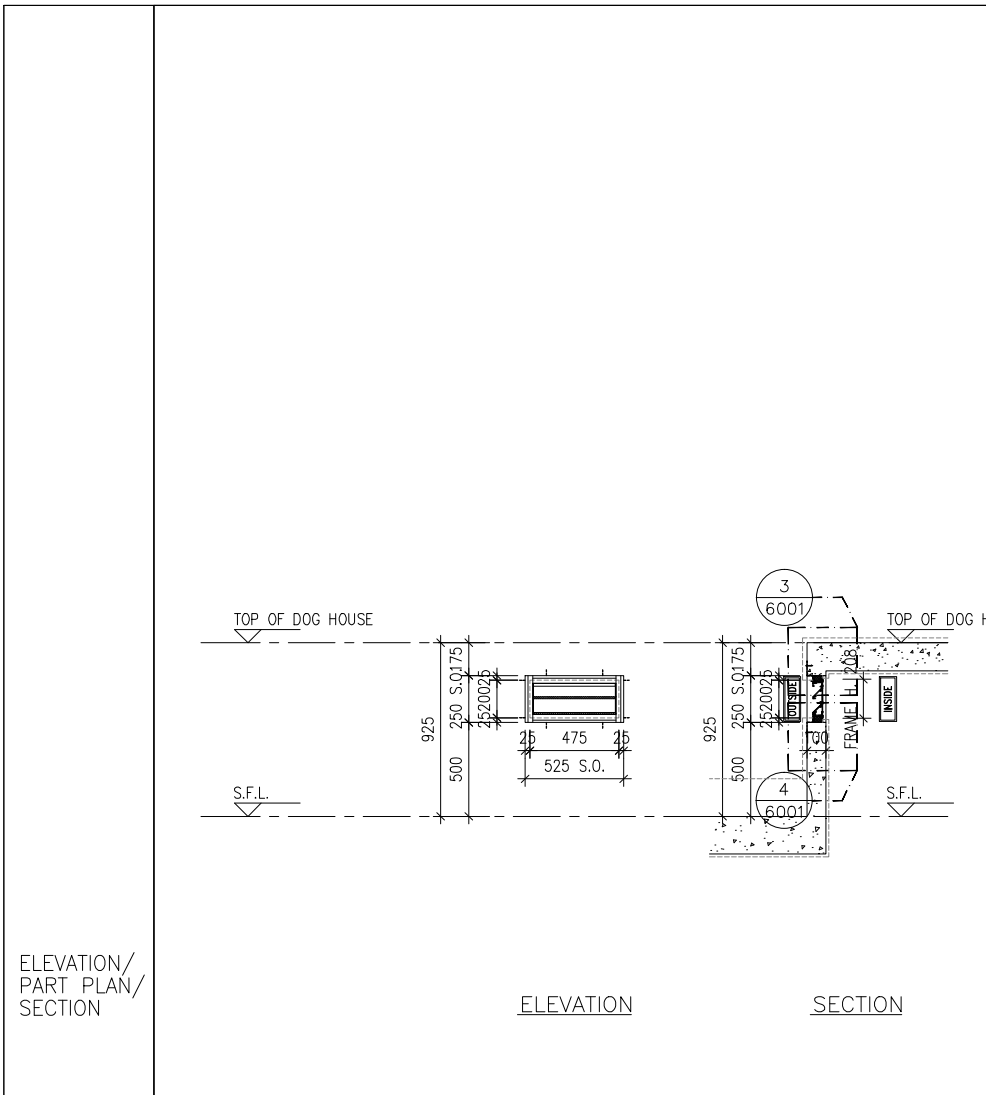
WINDOW MARK	LOCATION	SECTION	GLAZING	QUANTITY	REMARKS
11-RF IL10	TOWER 1 ROOF FLOOR	50mm ALUM. SECTION WITH PVF2 COATING(SLIVER CHAMPAGNE COLOUR)	N/A	1 NO.	FREE AREA (%) : 20.63/35.80 = 0.5763 = 57.63%
11-RF IL11	TOWER 1 ROOF FLOOR	50mm ALUM. SECTION WITH PVF2 COATING(SLIVER CHAMPAGNE COLOUR)	N/A	1 NO.	FREE AREA (%) : 35.01/49.10 = 0.7130 = 71.30%
11-RF IL12	TOWER 1 ROOF FLOOR	50mm ALUM. SECTION WITH PVF2 COATING(SLIVER CHAMPAGNE COLOUR)	N/A	1 NO.	FREE AREA (%) : 20.90/36.05 = 0.5798 = 57.98%

DATE : 04-OCT-21 SCALE : 1:40

DRAWN BY : CHECKED BY :

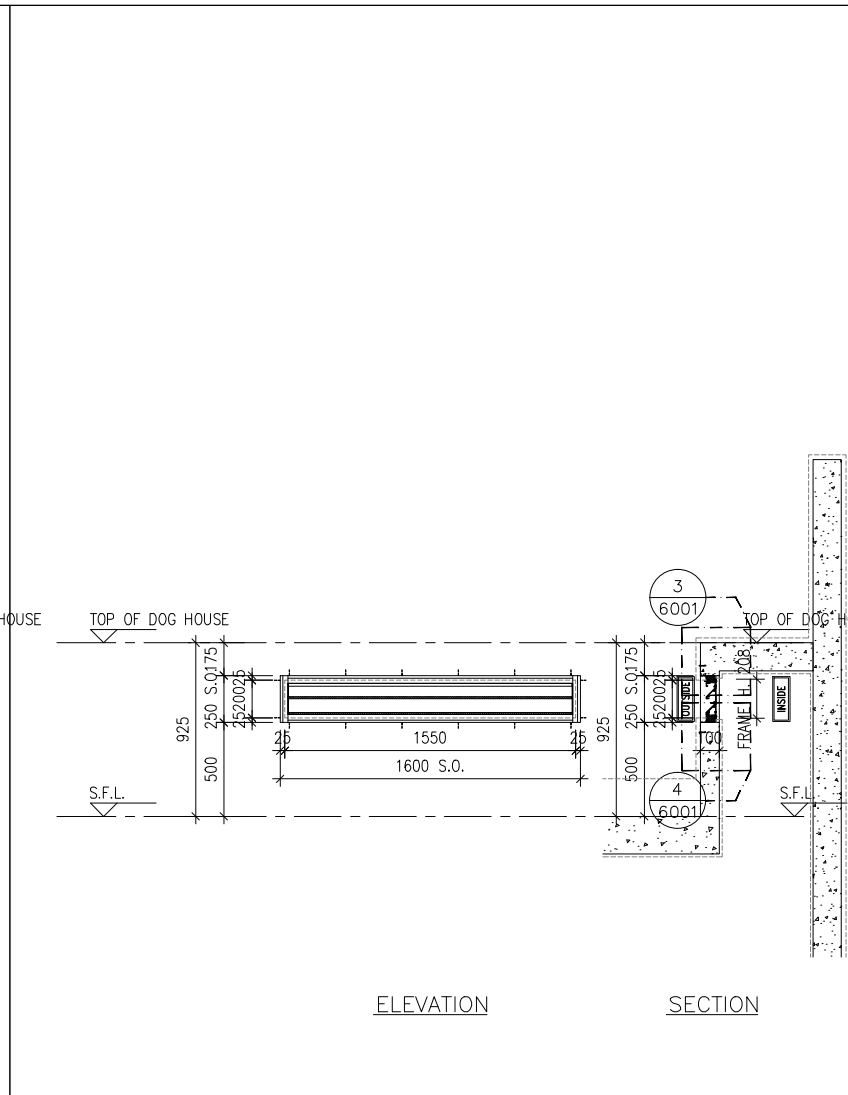
美特鋁質有限公司
MIDI ALUMINIUM FABRICATOR LTD.
Units 6-8, Sunray Industrial Centre, 1/F
610 Cha Kwo Ling Road, Kowloon
Tel:23489211-4 Fax:(852)2727666

DWG NO. : J858-IL-2106 REV. : -



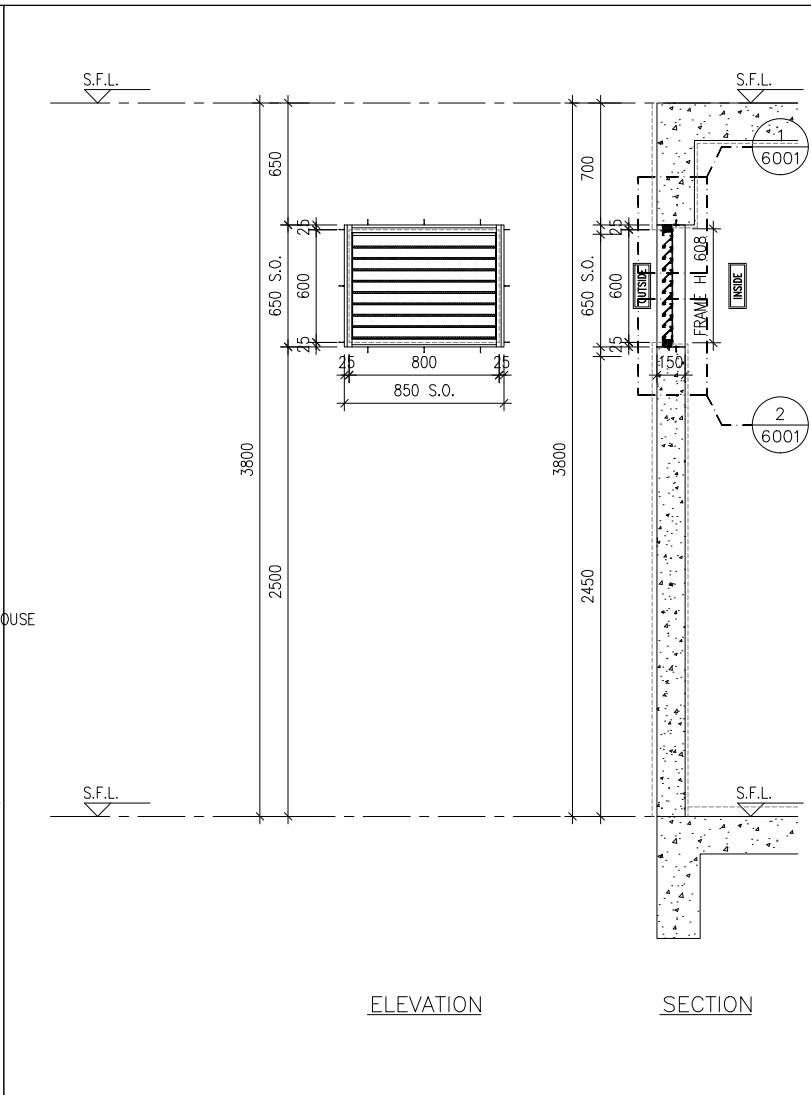
ELEVATION

SECTION



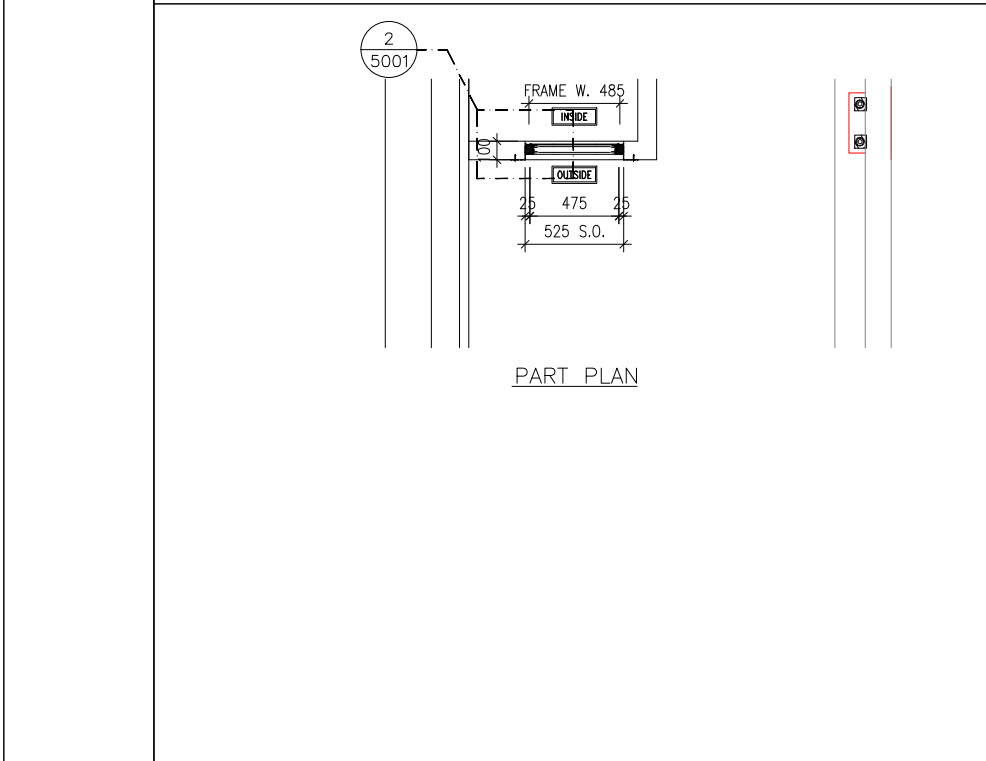
ELEVATION

SECTION

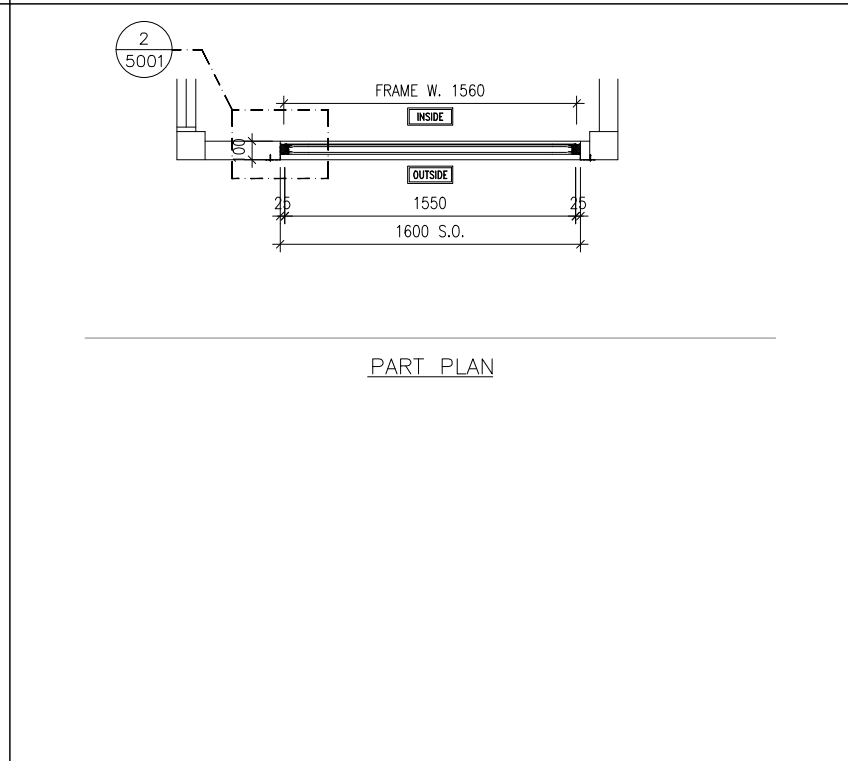


ELEVATION

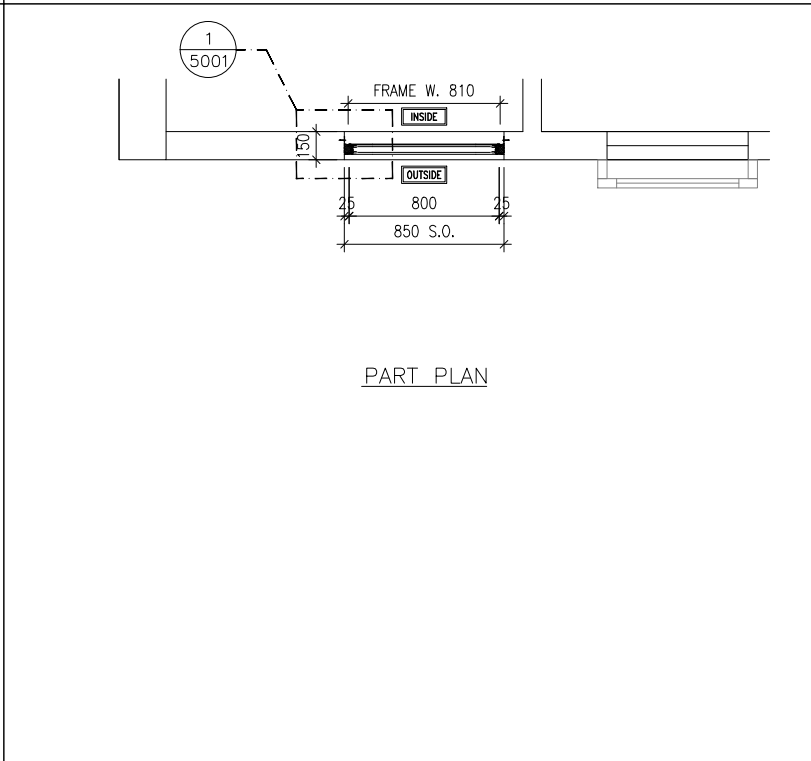
SECTION



PART PLAN



PART PLAN



PART PLAN

GLAZING AREA:	Required = N/A	Provided = N/A
OPENABLE AREA:	Required = N/A	Provided = N/A

GLAZING AREA:	Required = N/A	Provided = N/A
OPENABLE AREA:	Required = N/A	Provided = N/A

GLAZING AREA:	Required = N/A	Provided = N/A
OPENABLE AREA:	Required = N/A	Provided = N/A

WINDOW MARK	
LOCATION	TOWER 1 TOP ROOF
SECTION	50mm ALUM. SECTION WITH PVF2 COATING(SLIVER CHAMPAGNE COLOUR)
GLAZING	N/A
QUANTITY	1 NO.
REMARKS	FREE AREA (%) : 35.01/49.10 = 0.7130 = 71.30%

WINDOW MARK	
LOCATION	TOWER 1 TOP ROOF
SECTION	50mm ALUM. SECTION WITH PVF2 COATING(SLIVER CHAMPAGNE COLOUR)
GLAZING	N/A
QUANTITY	1 NO.
REMARKS	FREE AREA (%) : 35.01/49.10 = 0.7130 = 71.30%

WINDOW MARK	
LOCATION	TOWER 1 LIFT MACHINE ROOM
SECTION	50mm ALUM. SECTION WITH PVF2 COATING(SLIVER CHAMPAGNE COLOUR)
GLAZING	N/A
QUANTITY	1 NO.
REMARKS	FREE AREA (%) : 20.08/35.28 = 0.5692 = 56.92%

B.D. REF :

CLIENT :
 信和置業有限公司
 Sino Land Company Limited

ARCHITECT :
 ronald lu & partners
 Architectural Planners Interior Designers
 Ronald Lu & Partners (HK) Ltd.
 呂元祥建築師事務所(香港)有限公司

MAIN CONTRACTOR :
 Gammon

STRUCTURAL ENGINEER :
 AECOM

FACADE CONSULTANT:
 AECOM

NOTE :
 1. ALL DIMENSIONS ARE IN mm.
 2. ALL ELEVATIONS ARE VIEWED FROM OUTSIDE.
 3. ALL DIMENSIONS TO BE VERIFIED ON SITE BEFORE FABRICATION.

LEGEND :
 x1 --- DETAIL MARK NO.
 x001 --- REFER SHEET NO.
 1. F.F.L. --- FINISHED FLOOR LEVEL
 2. S.F.L. --- STRUCTURAL FLOOR LEVEL
 3. (R) --- REVERSED DETAIL

NO.	DATE	REVISED	BY
-----	------	---------	----

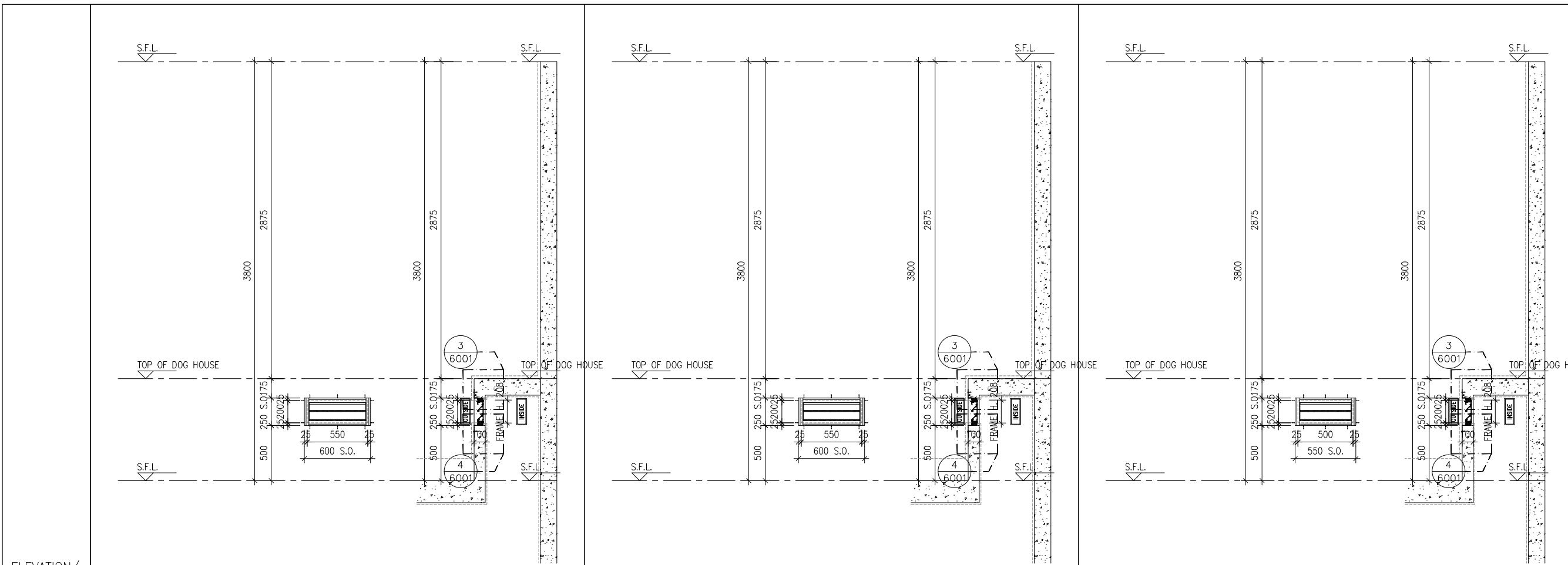
JOB NO. : J-858
 PROJECT : PROPOSED RESIDENTIAL DEVELOPMENT AT TKOTL 70RP, PHASE 11, LOHAS PARK TSEUNG KWAN O, N.T.

TITLE :
 IN-SITU ALUM. LOUVER ALUM. LOUVER SCHEDULE FOR TOWER 1

DATE : 04-OCT-21 SCALE : 1:40
 DRAWN BY : CHECKED BY :

美特鋁質有限公司
 MIDI ALUMINIUM FABRICATOR LTD.
 Units 6-8, Sunray Industrial Centre, 1/F
 610 Cha Kwo Ling Road, Kowloon
 Tel:23489211-4 Fax:(852)27727666

DWG NO. : J858-IL-2107 REV. : -



ELEVATION/
PART PLAN/
SECTION

ELEVATION

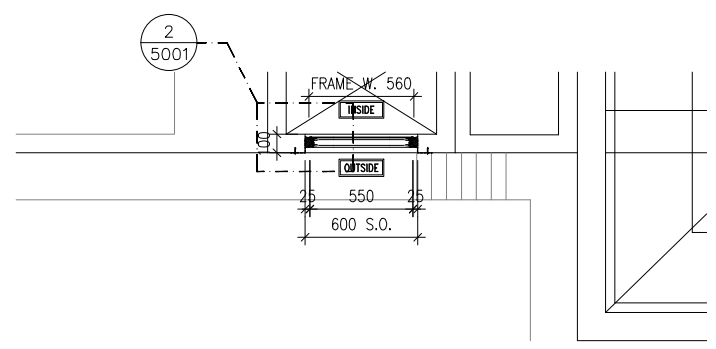
SECTION

ELEVATION

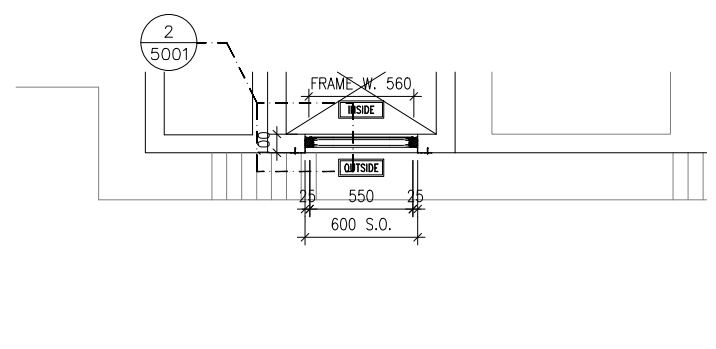
SECTION

ELEVATION

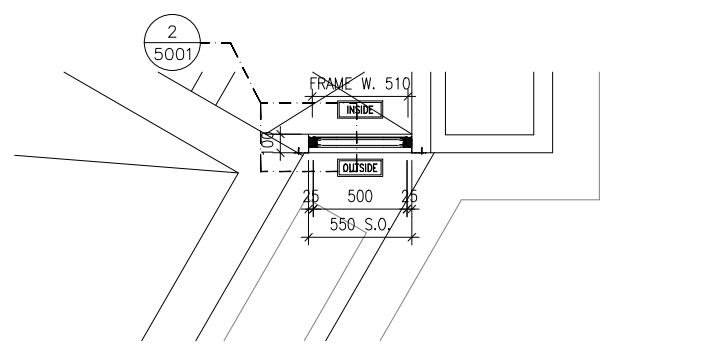
SECTION



PART PLAN



PART PLAN



PART PLAN

B.D. REF :

CLIENT :
 信和置業有限公司
 Sino Land Company Limited

ARCHITECT :
 ronald lu & partners
 Architect, Planners, Interior Designers
 Ronald Lu & Partners (HK) Ltd.
 呂元祥建築師事務所(香港)有限公司

MAIN CONTRACTOR :
 Gammon

STRUCTURAL ENGINEER :
 AECOM

FAÇADE CONSULTANT:
 AECOM

NOTE :
 1. ALL DIMENSIONS ARE IN mm.
 2. ALL ELEVATIONS ARE VIEWED FROM OUTSIDE.
 3. ALL DIMENSIONS TO BE VERIFIED ON SITE BEFORE FABRICATION.

LEGEND :
 (x1) ———— DETAIL MARK NO.
 (x001) ——— REFER SHEET NO.

1. F.F.L. — FINISHED FLOOR LEVEL
 2. S.F.L. — STRUCTURAL FLOOR LEVEL
 3. (R) — REVERSED DETAIL

NO.	DATE	REVISED	BY
-----	------	---------	----

JOB NO. : J-858

PROJECT :
 PROPOSED RESIDENTIAL DEVELOPMENT
 AT TKOTL 70RP, PHASE 11, LOHAS PARK
 TSEUNG KWAN O, N.T.

TITLE :
 IN-SITU ALUM. LOUVER
 ALUM. LOUVER SCHEDULE
 FOR TOWER 1

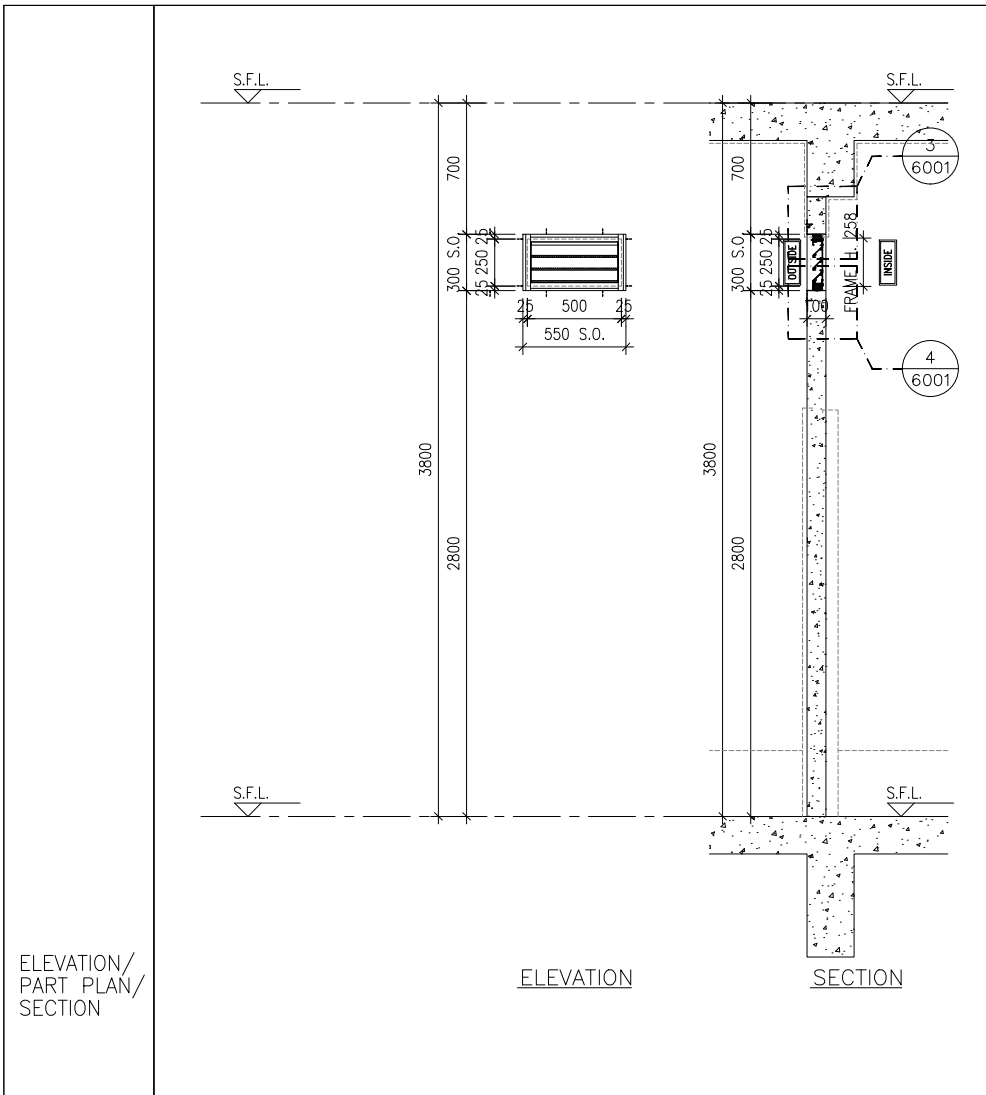
DATE : 04-OCT-21 SCALE : 1:40

DRAWN BY : CHECKED BY :

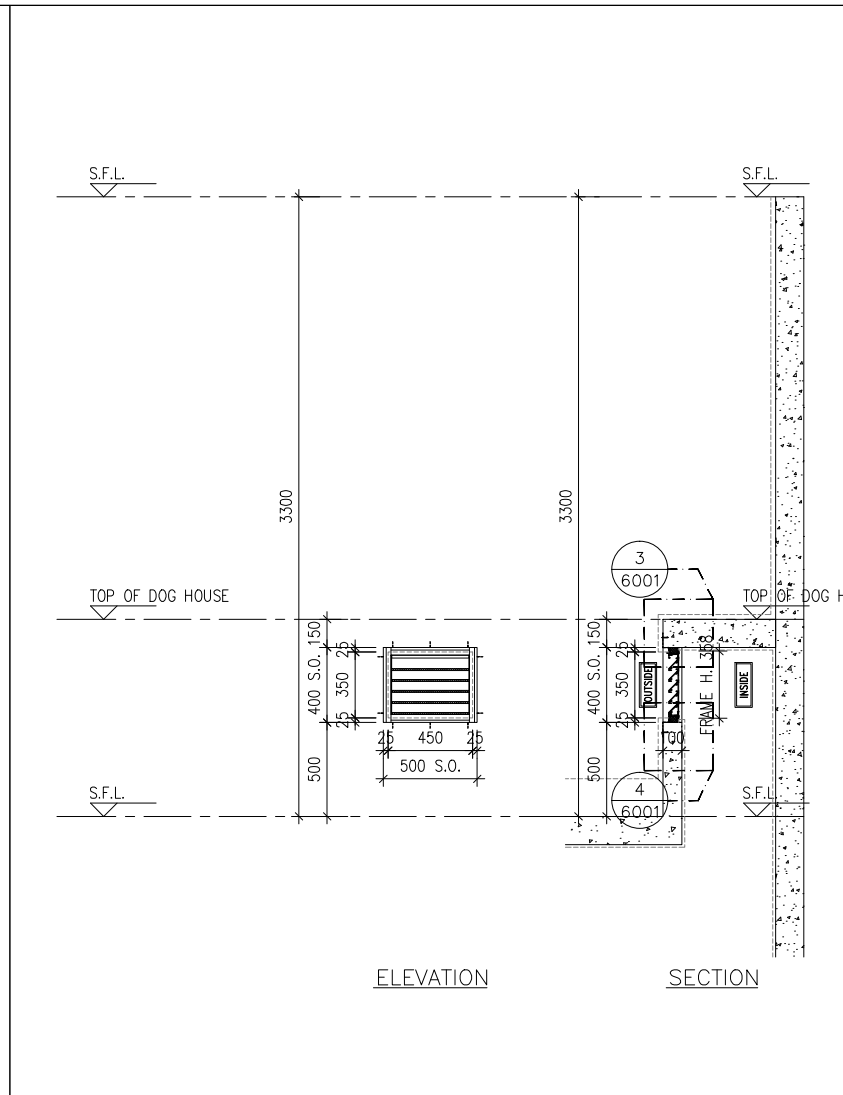
美特鋁質有限公司
 MIDI ALUMINIUM FABRICATOR LTD.
 Units 6-8, Sunray Industrial Centre, 1/F
 610 Cha Kwo Ling Road, Kowloon
 Tel:23489211-4 Fax:(852)2727666

DWG NO. : J858-IL-2108 REV. : -

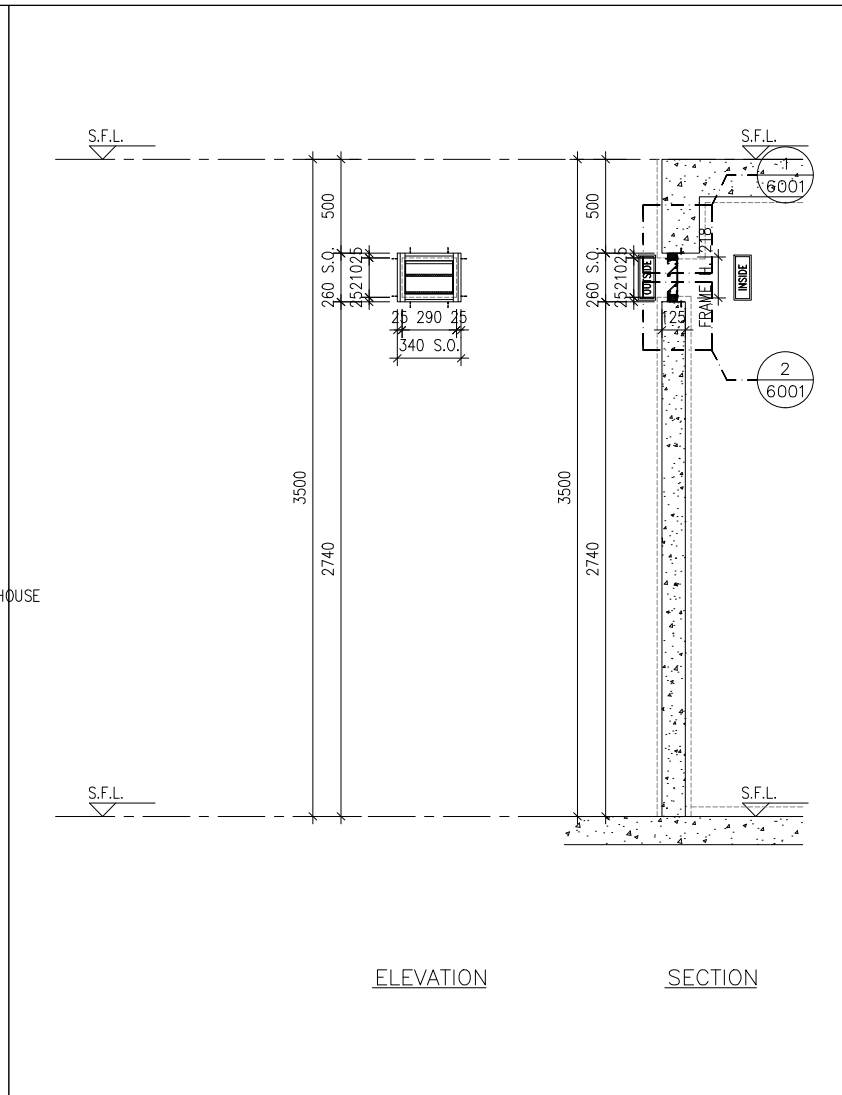
GLAZING AREA:	Required = N/A	Provided = N/A	GLAZING AREA:	Required = N/A	Provided = N/A	GLAZING AREA:	Required = N/A	Provided = N/A
OPENABLE AREA:	Required = N/A	Provided = N/A	OPENABLE AREA:	Required = N/A	Provided = N/A	OPENABLE AREA:	Required = N/A	Provided = N/A
WINDOW MARK			WINDOW MARK			WINDOW MARK		
LOCATION	TOWER 1 ROOF FLOOR		LOCATION	TOWER 1 ROOF FLOOR		LOCATION	TOWER 1 ROOF FLOOR	
SECTION	50mm ALUM. SECTION WITH PVF2 COATING(SLIVER CHAMPAGNE COLOUR)		SECTION	50mm ALUM. SECTION WITH PVF2 COATING(SLIVER CHAMPAGNE COLOUR)		SECTION	50mm ALUM. SECTION WITH PVF2 COATING(SLIVER CHAMPAGNE COLOUR)	
GLAZING	N/A		GLAZING	N/A		GLAZING	N/A	
QUANTITY	1 NO.		QUANTITY	1 NO.		QUANTITY	1 NO.	
REMARKS	FREE AREA (%) : 35.01/49.10 = 0.7130 = 71.30%		REMARKS	FREE AREA (%) : 35.01/49.10 = 0.7130 = 71.30%		REMARKS	FREE AREA (%) : 35.01/49.10 = 0.7130 = 71.30%	



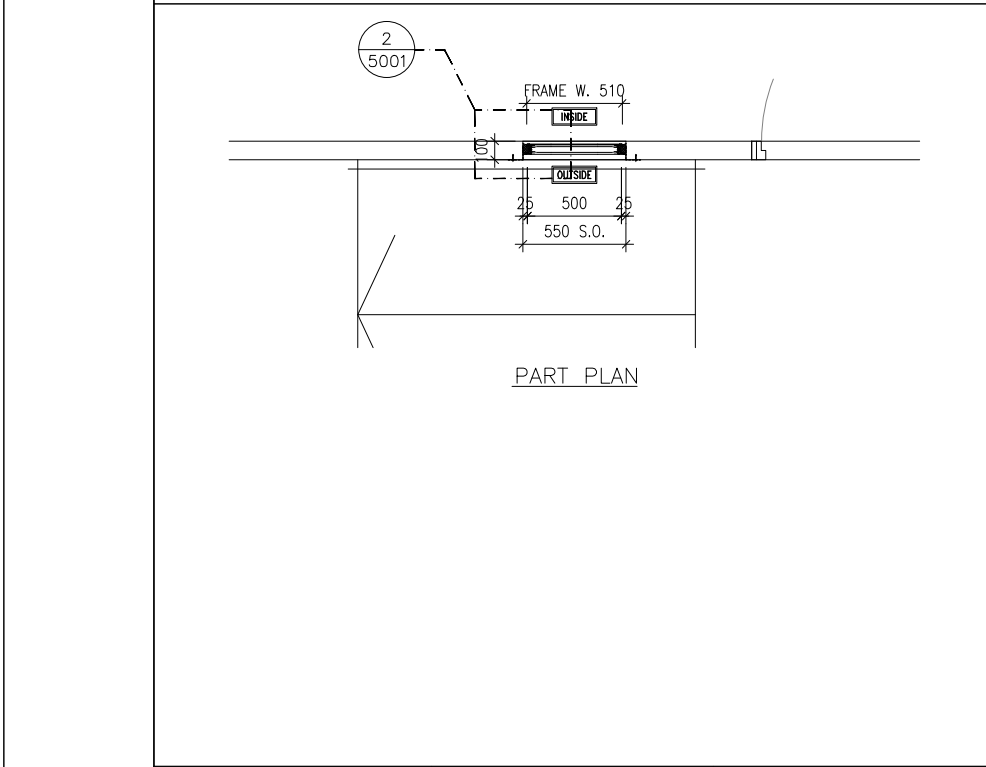
ELEVATION SECTION



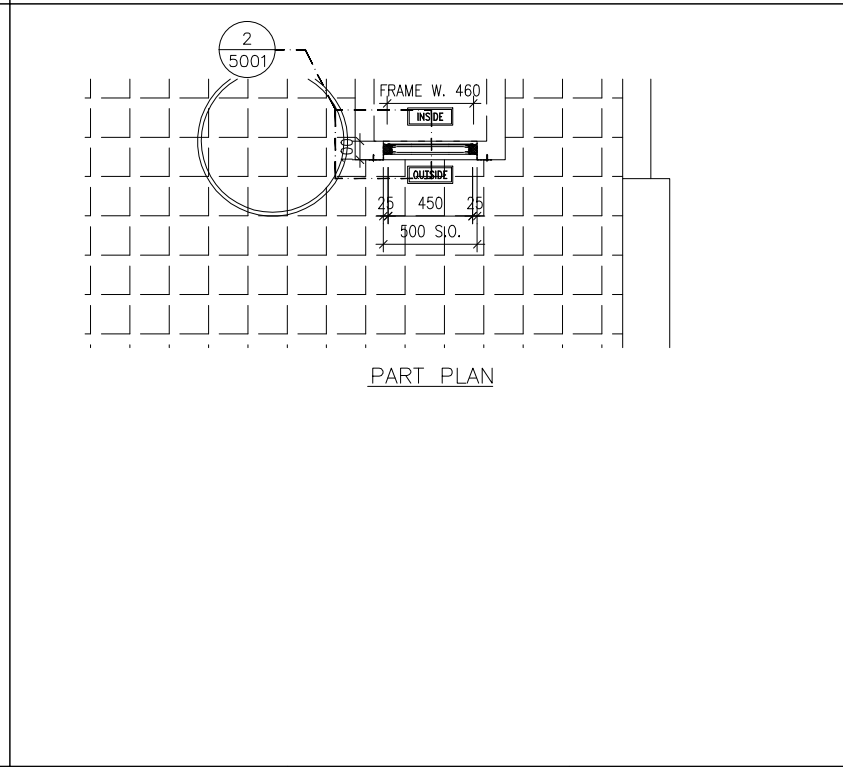
ELEVATION SECTION



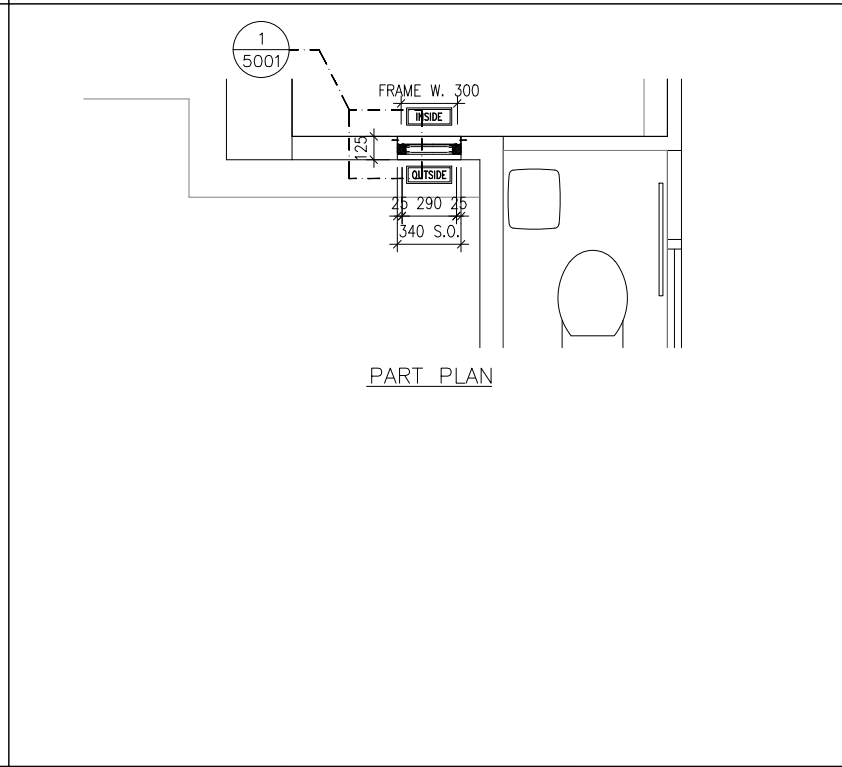
ELEVATION SECTION



PART PLAN



PART PLAN



PART PLAN

B.D. REF :

CLIENT :
 信和置業有限公司
 Sino Land Company Limited

ARCHITECT :
 ronald lu & partners
 Architectural Planners, Interior Designers
 Ronald Lu & Partners (HK) Ltd.
 呂元祥建築師事務所 (香港) 有限公司

MAIN CONTRACTOR :
 Gammon

STRUCTURAL ENGINEER :
 AECOM

FAÇADE CONSULTANT:
 AECOM

NOTE :
 1. ALL DIMENSIONS ARE IN mm.
 2. ALL ELEVATIONS ARE VIEWED FROM OUTSIDE.
 3. ALL DIMENSIONS TO BE VERIFIED ON SITE BEFORE FABRICATION.

LEGEND :
 x1 --- DETAIL MARK NO.
 x001 --- REFER SHEET NO.
 1. F.F.L. --- FINISHED FLOOR LEVEL
 2. S.F.L. --- STRUCTURAL FLOOR LEVEL
 3. (R) --- REVERSED DETAIL

NO.	DATE	REVISED	BY
JOB NO. : J-858			
PROJECT : PROPOSED RESIDENTIAL DEVELOPMENT AT TKOTL 70RP, PHASE 11, LOHAS PARK TSEUNG KWAN O, N.T.			
TITLE : IN-SITU ALUM. LOUVER ALUM. LOUVER SCHEDULE FOR TOWER 1			

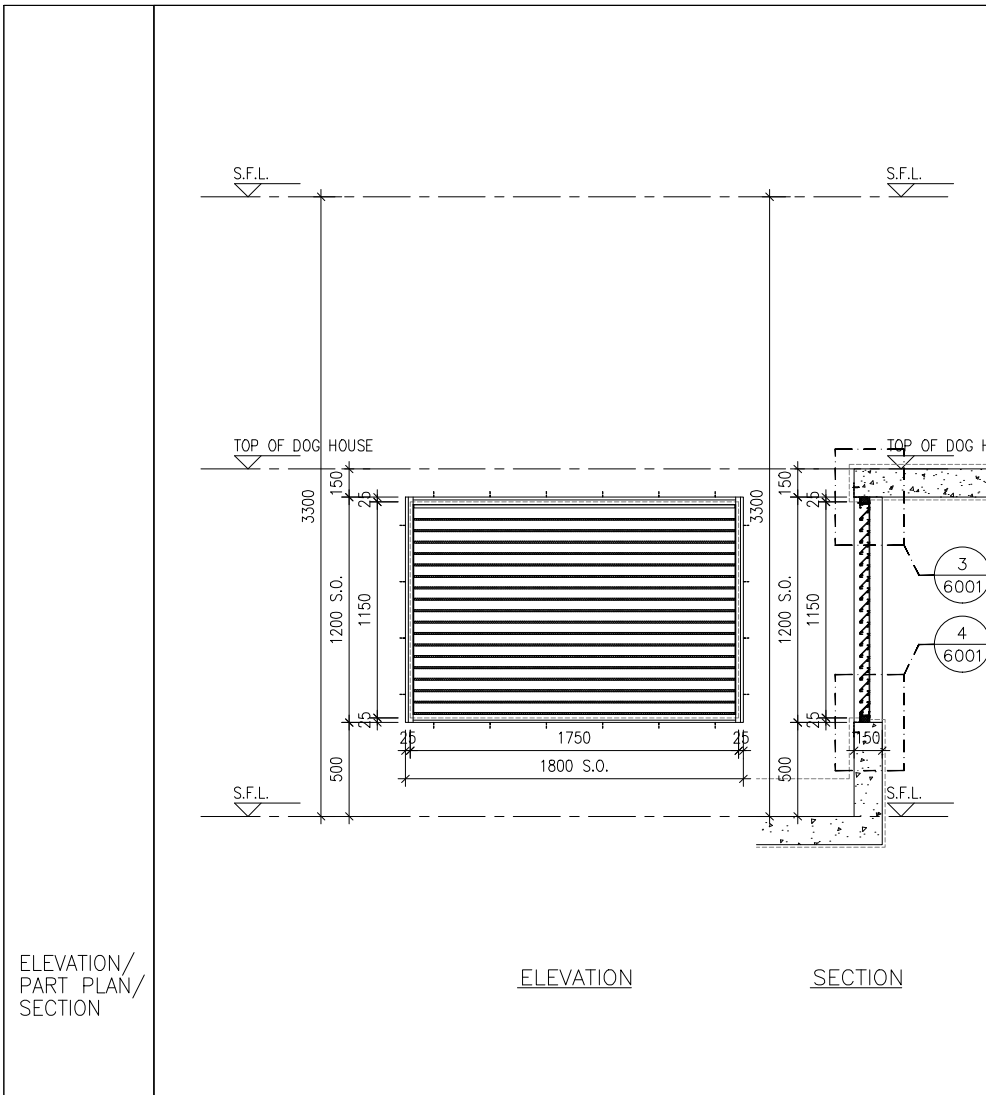
WINDOW MARK	GLAZING AREA:	Required =	Provided =	GLAZING AREA:	Required =	Provided =	GLAZING AREA:	Required =	Provided =			
	Required =	N/A	Provided =	N/A	Required =	N/A	Required =	N/A	Provided =			
	OPENABLE AREA:	Required =	Provided =	OPENABLE AREA:	Required =	Provided =	OPENABLE AREA:	Required =	Provided =			
		N/A	Provided =	N/A		N/A		N/A	Provided =			
	QUANTITY	1 NO.			QUANTITY	1 NO.			QUANTITY	1 NO.		
	REMARKS	FREE AREA (%) : 24.21/39.12 = 0.6189 = 61.89%			REMARKS	FREE AREA (%) : 18.84/34.14 = 0.5518 = 55.18%			REMARKS	FREE AREA (%) : 54.93/71.80 = 0.7650 = 76.50%		

DATE : 04-OCT-21 SCALE : 1:40

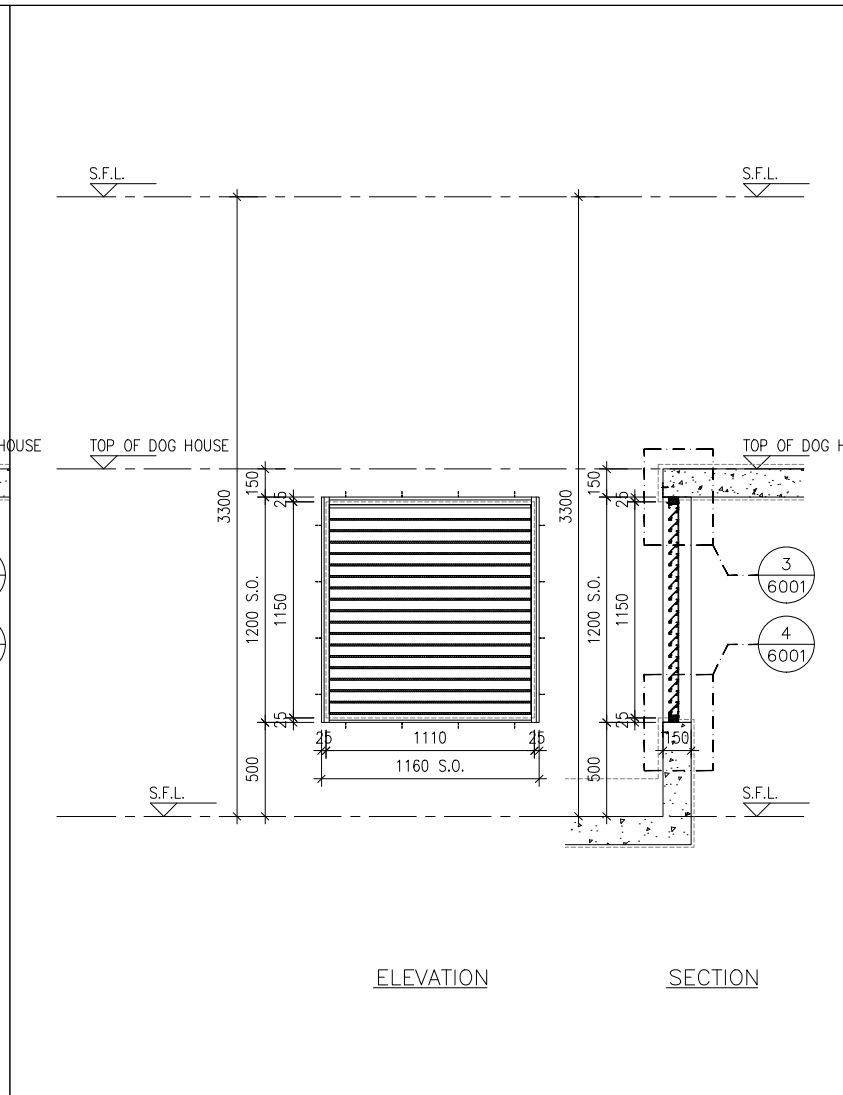
DRAWN BY : CHECKED BY :

美特鋁質有限公司
 MIDI ALUMINIUM FABRICATOR LTD.
 Units 6-8, Sunray Industrial Centre, 1/F
 610 Cha Kwo Ling Road, Kowloon
 Tel:23489211-4 Fax:(852)27727666

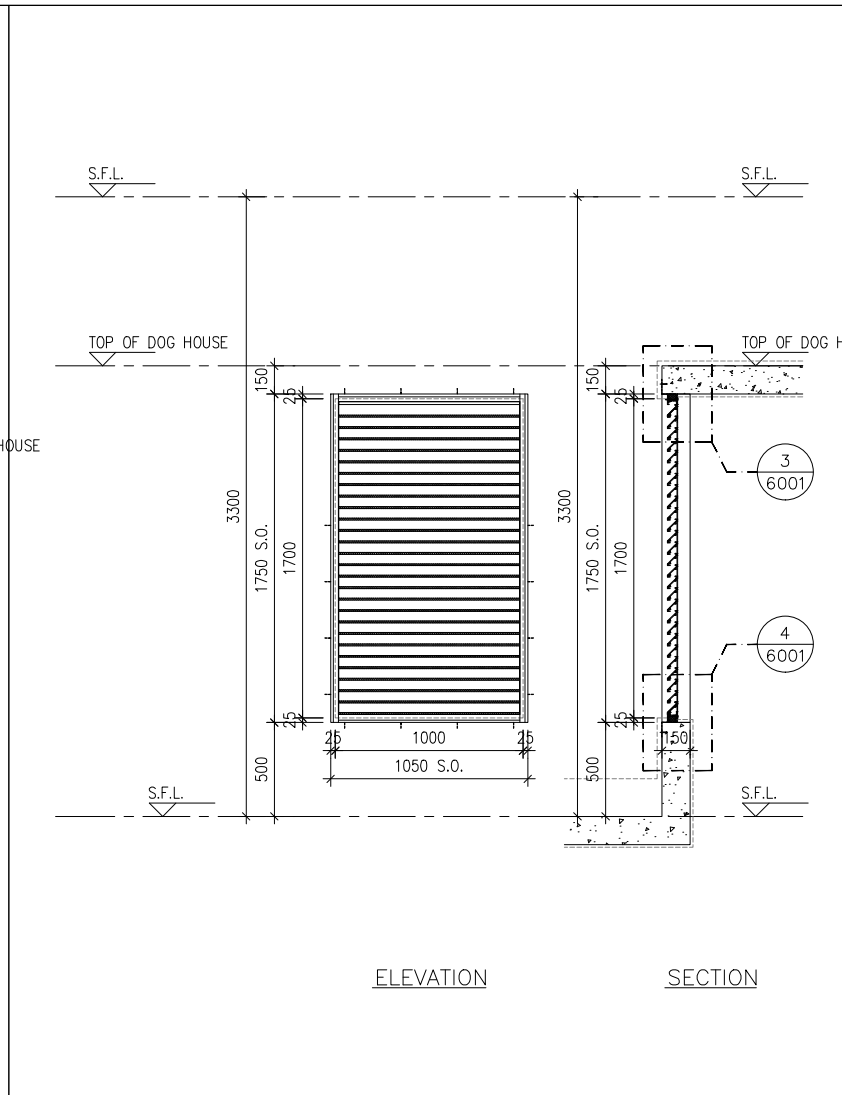
DWG NO. : J858-IL-2109 REV. : -



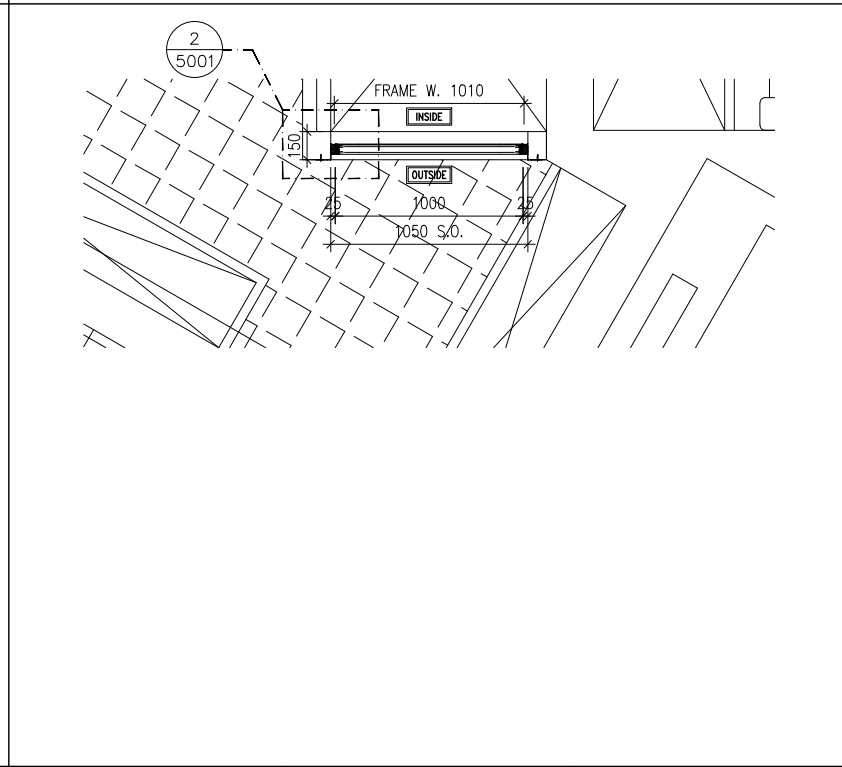
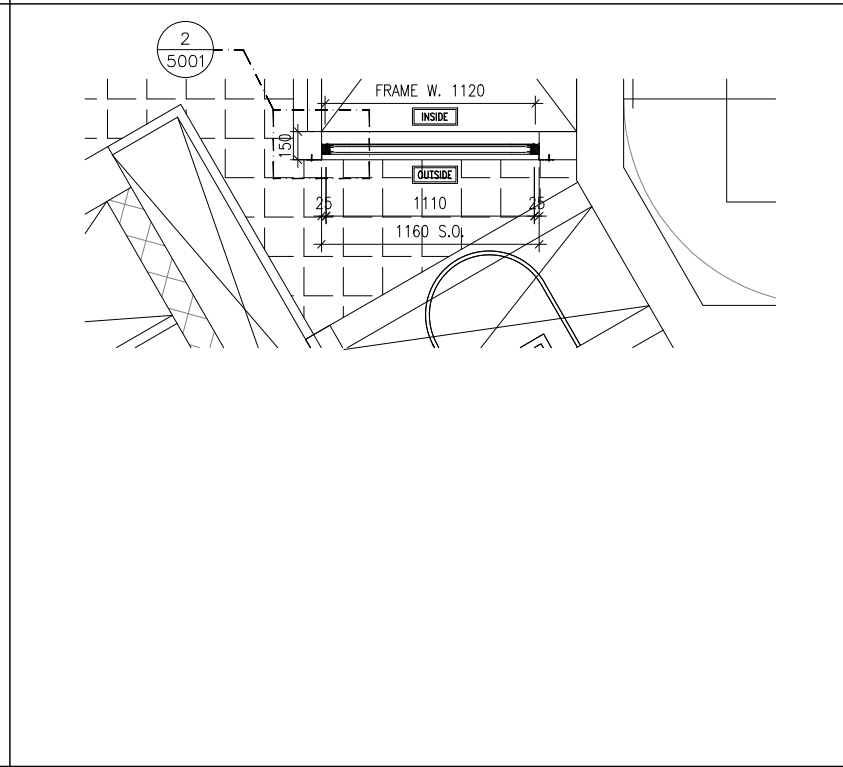
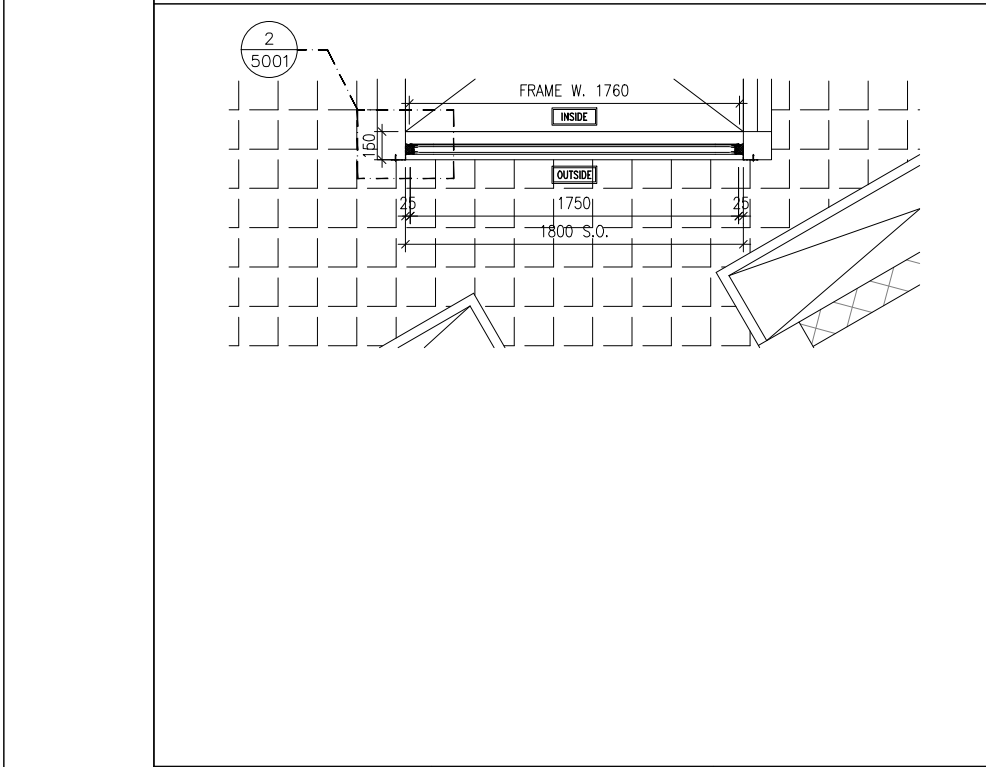
ELEVATION SECTION



ELEVATION SECTION



ELEVATION SECTION



B.D. REF :

CLIENT : 信和置業有限公司 Sino Land Company Limited

ARCHITECT : ronald lu & partners
Architects, Planners, Interior Designers
Ronald Lu & Partners (HK) Ltd.
呂元祥建築師事務所 (香港) 有限公司

MAIN CONTRACTOR : Gammon

STRUCTURAL ENGINEER : AECOM

FACADE CONSULTANT: AECOM

NOTE :

- ALL DIMENSIONS ARE IN mm.
- ALL ELEVATIONS ARE VIEWED FROM OUTSIDE.
- ALL DIMENSIONS TO BE VERIFIED ON SITE BEFORE FABRICATION.

LEGEND :

x1 ———— DETAIL MARK NO.
x001 ———— REFER SHEET NO.

- F.F.L. --- FINISHED FLOOR LEVEL
- S.F.L. --- STRUCTURAL FLOOR LEVEL
- (R) --- REVERSED DETAIL

NO.	DATE	REVISED	BY
JOB NO. : J-858			
PROJECT : PROPOSED RESIDENTIAL DEVELOPMENT AT TKOTL 70RP, PHASE 11, LOHAS PARK TSEUNG KWAN O, N.T.			
TITLE : IN-SITU ALUM. LOUVER ALUM. LOUVER SCHEDULE FOR TOWER 1			
DATE : 04-OCT-21	SCALE : 1:40		
DRAWN BY :	CHECKED BY :		
 MIDI ALUMINIUM FABRICATOR LTD. Units 6-8, Sunray Industrial Centre, 1/F 610 Cha Kwo Ling Road, Kowloon Tel:23489211-4 Fax:(852)2727666			
DWG NO. : J858-IL-2110	REV. : -		

GLAZING AREA:	Required = N/A	Provided = N/A
OPENABLE AREA:	Required = N/A	Provided = N/A
WINDOW MARK	11-09 / L22	
LOCATION	TOWER 1 9/F (OPEN PIPE WELL)	
SECTION	50mm ALUM. SECTION WITH PVF2 COATING (SLIVER CHAMPAGNE COLOUR)	
GLAZING	N/A	
QUANTITY	1 NO.	
REMARKS	FREE AREA (%) : 20.27/35.46 = 0.5716 = 57.16%	

GLAZING AREA:	Required = N/A	Provided = N/A
OPENABLE AREA:	Required = N/A	Provided = N/A
WINDOW MARK	11-09 / L23	
LOCATION	TOWER 1 9/F (OPEN PIPE WELL)	
SECTION	50mm ALUM. SECTION WITH PVF2 COATING (SLIVER CHAMPAGNE COLOUR)	
GLAZING	N/A	
QUANTITY	1 NO.	
REMARKS	FREE AREA (%) : 20.27/35.46 = 0.5716 = 57.16%	

GLAZING AREA:	Required = N/A	Provided = N/A
OPENABLE AREA:	Required = N/A	Provided = N/A
WINDOW MARK	11-09 / L24	
LOCATION	TOWER 1 9/F (OPEN PIPE WELL)	
SECTION	50mm ALUM. SECTION WITH PVF2 COATING (SLIVER CHAMPAGNE COLOUR)	
GLAZING	N/A	
QUANTITY	1 NO.	
REMARKS	FREE AREA (%) : 20.33/35.52 = 0.5724 = 57.24%	

B.D. REF :

CLIENT :
 信和置業有限公司
 Sino Land Company Limited

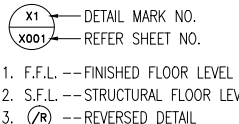
ARCHITECT :
 ronald lu & partners
 Architects, Planners, Interior Designers
 Ronald Lu & Partners (HK) Ltd.
 呂元祥建築師事務所 (香港) 有限公司

MAIN CONTRACTOR :
 Gammon

STRUCTURAL ENGINEER :
 AECOM

FACADE CONSULTANT:
 AECOM

NOTE :
 1. ALL DIMENSIONS ARE IN mm.
 2. ALL ELEVATIONS ARE VIEWED FROM OUTSIDE.
 3. ALL DIMENSIONS TO BE VERIFIED ON SITE BEFORE FABRICATION.

LEGEND :

 1. F.F.L. -- FINISHED FLOOR LEVEL
 2. S.F.L. -- STRUCTURAL FLOOR LEVEL
 3. (R) -- REVERSED DETAIL

NO.	DATE	REVISED	BY
-----	------	---------	----

JOB NO. : J-858

PROJECT :
 PROPOSED RESIDENTIAL DEVELOPMENT
 AT TKOTL 70RP, PHASE 11, LOHAS PARK
 TSEUNG KWAN O, N.T.

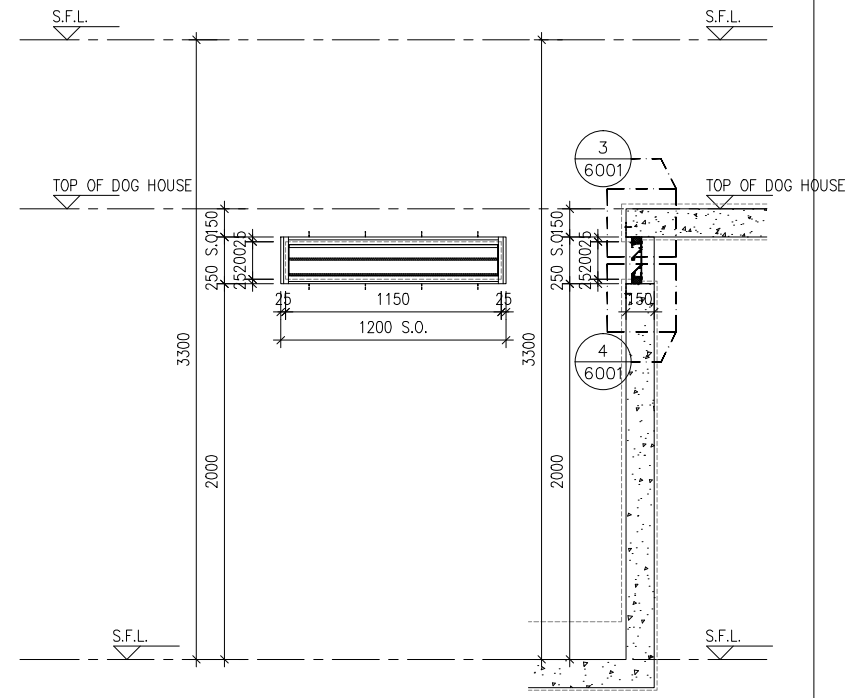
TITLE :
 IN-SITU ALUM. LOUVER
 ALUM. LOUVER SCHEDULE
 FOR TOWER 1

DATE : 04-OCT-21 SCALE : 1:40

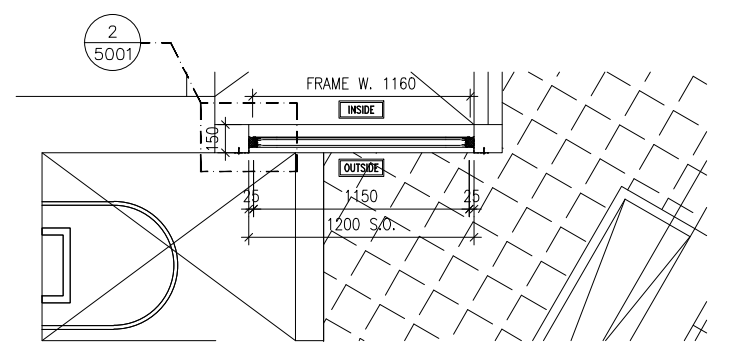
DRAWN BY : CHECKED BY :

 美特鋁質有限公司
 MIDI ALUMINIUM FABRICATOR LTD.
 Units 6-8, Sunray Industrial Centre, 1/F
 610 Cha Kwo Ling Road, Kowloon
 Tel:23489211-4 Fax:(852)27727666

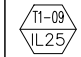
DWG NO. : J858-IL-2111 REV. : -



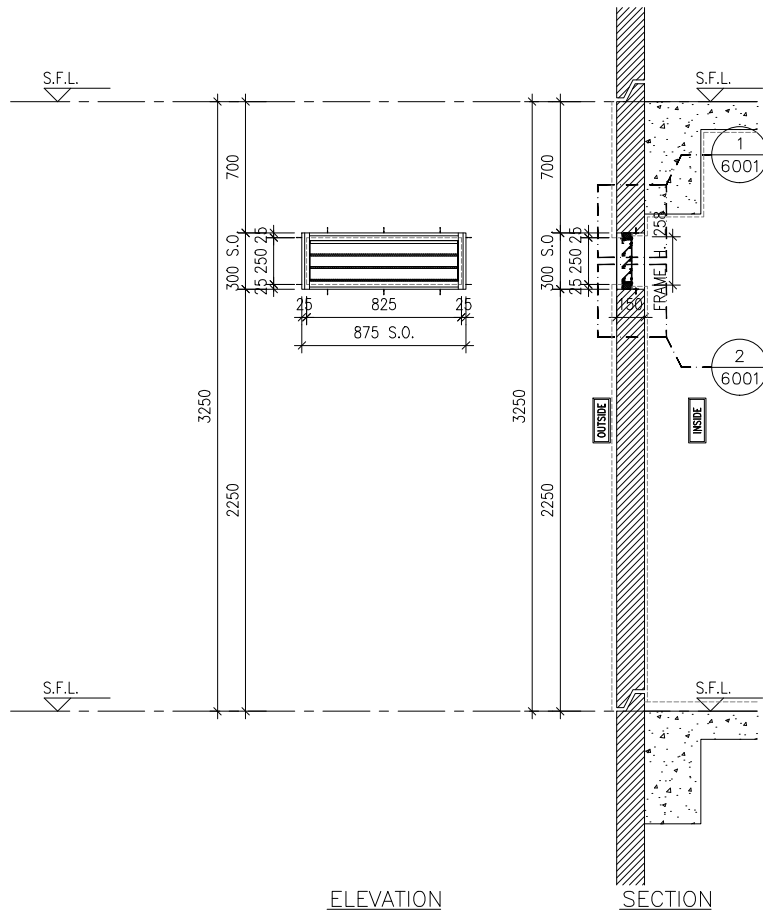
ELEVATION SECTION



GLAZING AREA:	Required = N/A	Provided = N/A
OPENABLE AREA:	Required = N/A	Provided = N/A

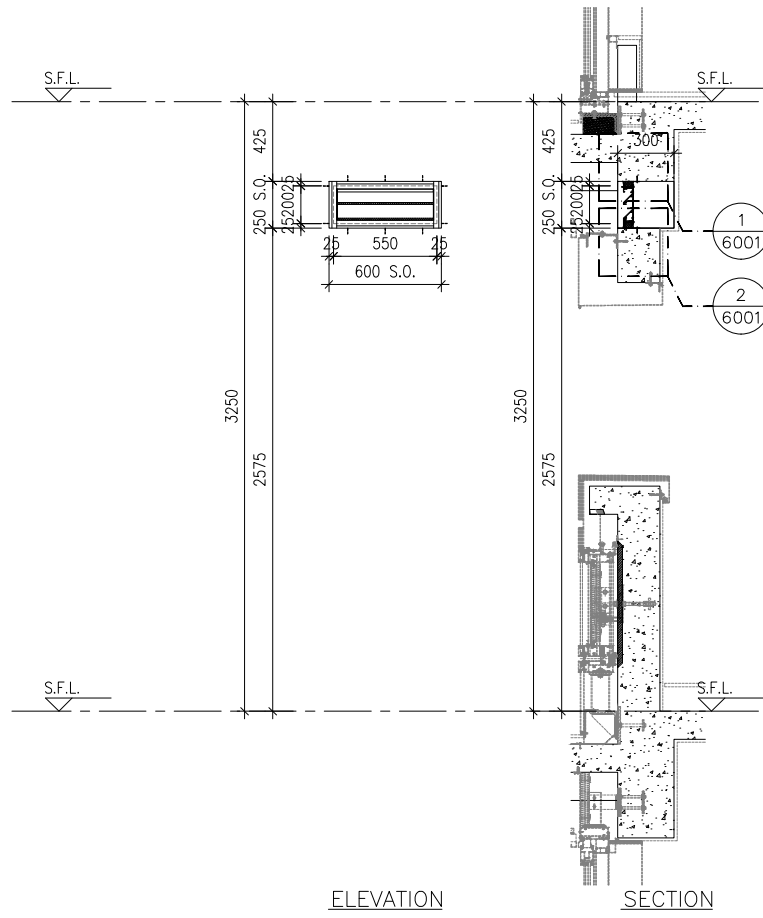
WINDOW MARK

 LOCATION
 TOWER 1 9/F (OPEN PIPE WELL)
 SECTION
 50mm ALUM. SECTION WITH PVF2 COATING (SLIVER CHAMPAGNE COLOUR)
 GLAZING
 N/A
 QUANTITY
 1 NO.
 REMARKS
 FREE AREA (%) : 35.01/49.10 = 0.7130 = 71.30%

ELEVATION/
PART PLAN/
SECTION



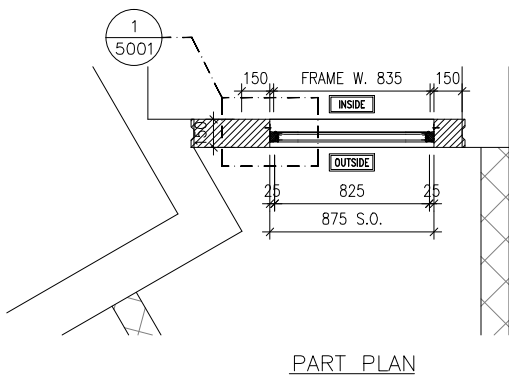
ELEVATION

SECTION

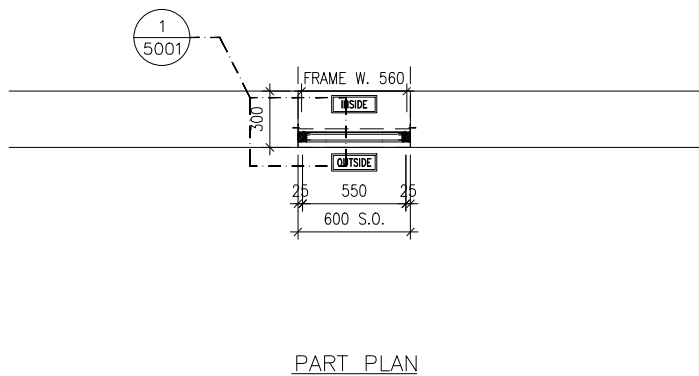


ELEVATION

SECTION



PART PLAN



PART PLAN

GLAZING AREA:	Required = N/A	Provided = N/A
OPENABLE AREA:	Required = N/A	Provided = N/A

GLAZING AREA:	Required = N/A	Provided = N/A
OPENABLE AREA:	Required = N/A	Provided = N/A

WINDOW MARK	
LOCATION	TOWER 2 11/F(REFUGE FLOOR)
SECTION	50mm ALUM. SECTION WITH PVF2 COATING(SLIVER CHAMPAGNE COLOUR)
GLAZING	N/A
QUANTITY	1 NO.
REMARKS	FREE AREA (%) : 24.21/39.12 = 0.6189 = 61.89%

WINDOW MARK	
LOCATION	TOWER 2 11/F(REFUGE FLOOR)
SECTION	50mm ALUM. SECTION WITH PVF2 COATING(SLIVER CHAMPAGNE COLOUR)
GLAZING	N/A
QUANTITY	6 NOS.
REMARKS	FREE AREA (%) : 35.01/49.10 = 0.7130 = 71.30%

B.D. REF :

CLIENT :
 信和置業有限公司
Sino Land Company Limited

ARCHITECT :
 ronald lu & partners
Architects Planners Interior Designers
Ronald Lu & Partners (HK) Ltd.
呂元祥建築師事務所 (香港) 有限公司

MAIN CONTRACTOR :
 Gammon

STRUCTURAL ENGINEER :
 AECOM

FAÇADE CONSULTANT:
 AECOM

NOTE :
1. ALL DIMENSIONS ARE IN mm.
2. ALL ELEVATIONS ARE VIEWED FROM OUTSIDE.
3. ALL DIMENSIONS TO BE VERIFIED ON SITE BEFORE FABRICATION.

LEGEND :
 x1 --- DETAIL MARK NO.
 x001 --- REFER SHEET NO.
1. F.F.L. --- FINISHED FLOOR LEVEL
2. S.F.L. --- STRUCTURAL FLOOR LEVEL
3. (R) --- REVERSED DETAIL

NO.	DATE	REVISED	BY
-----	------	---------	----

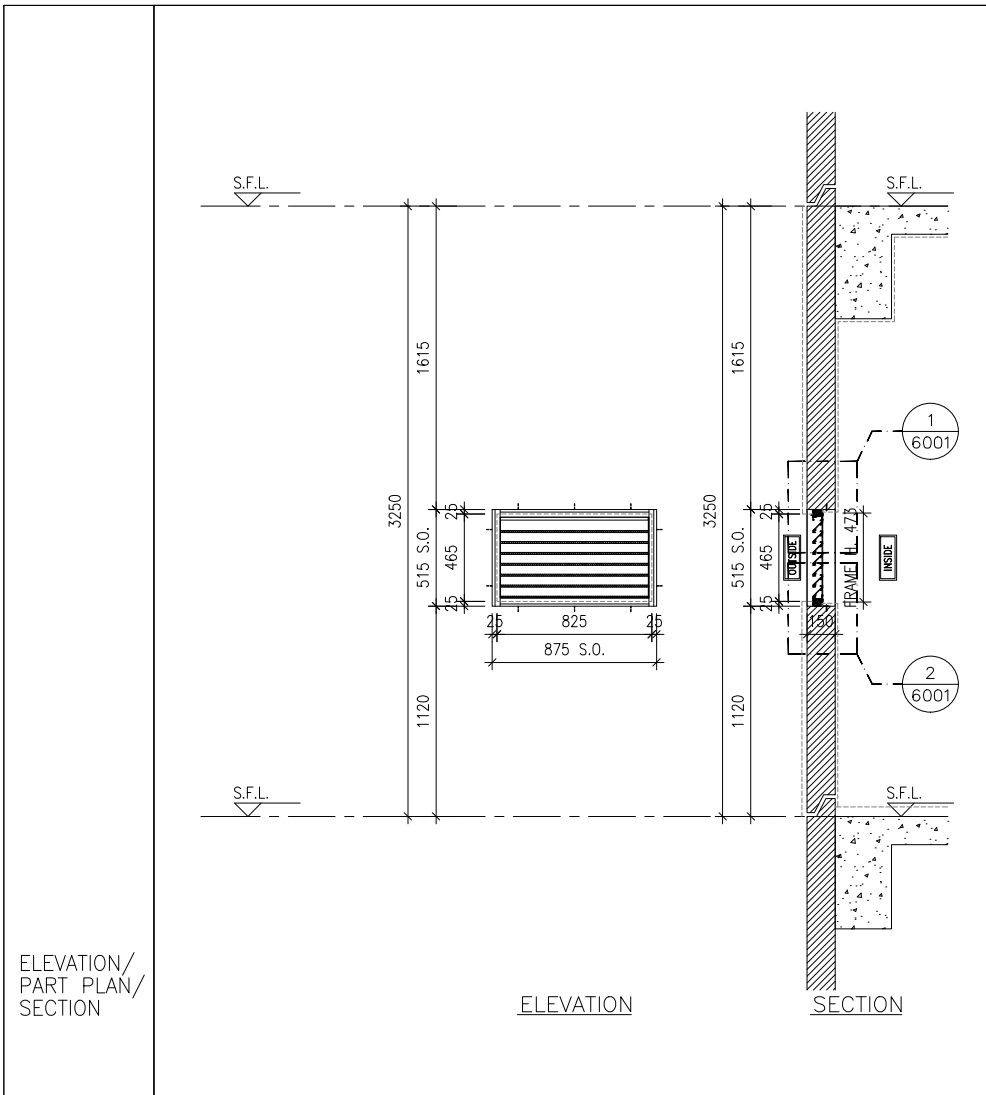
JOB NO. : J-858
PROJECT : PROPOSED RESIDENTIAL DEVELOPMENT AT TKOTL 70RP, PHASE 11, LOHAS PARK TSEUNG KWAN O, N.T.

TITLE : IN-SITU ALUM. LOUVER ALUM. LOUVER SCHEDULE FOR TOWER 2

DATE : 04-OCT-21 SCALE : 1:40
DRAWN BY : CHECKED BY :

美特鋁質有限公司
MIDI ALUMINIUM FABRICATOR LTD.
Units 6-8, Sunray Industrial Centre, 1/F
610 Cha Kwo Ling Road, Kowloon
Tel:23489211-4 Fax:(852)27727666

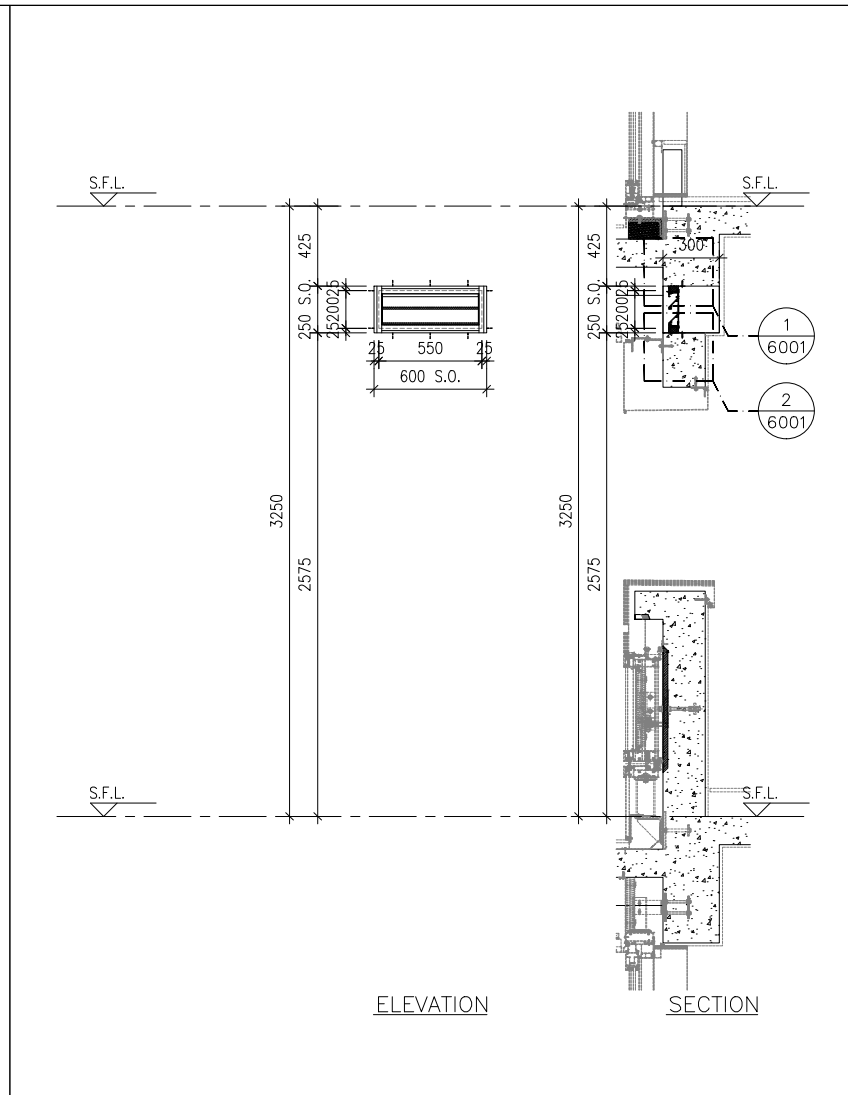
DWG NO. : J858-IL-2201 REV. : -



ELEVATION/
PART PLAN/
SECTION

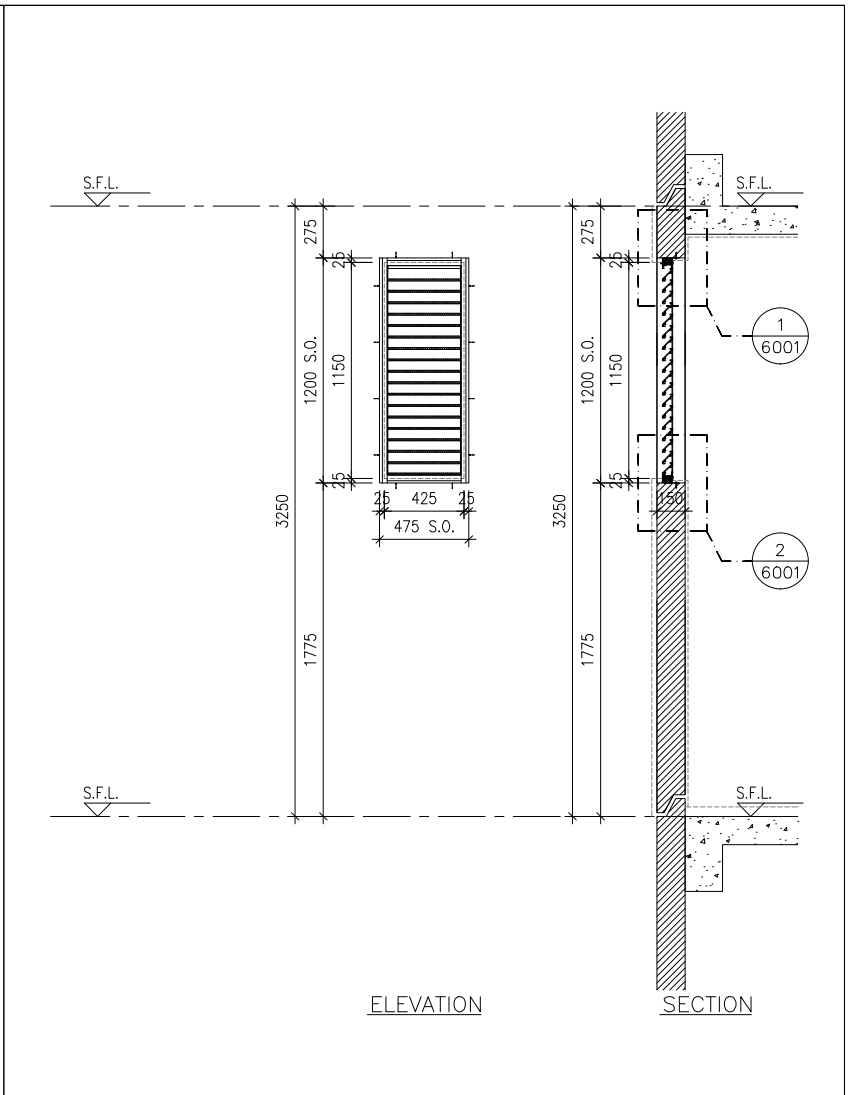
ELEVATION

SECTION



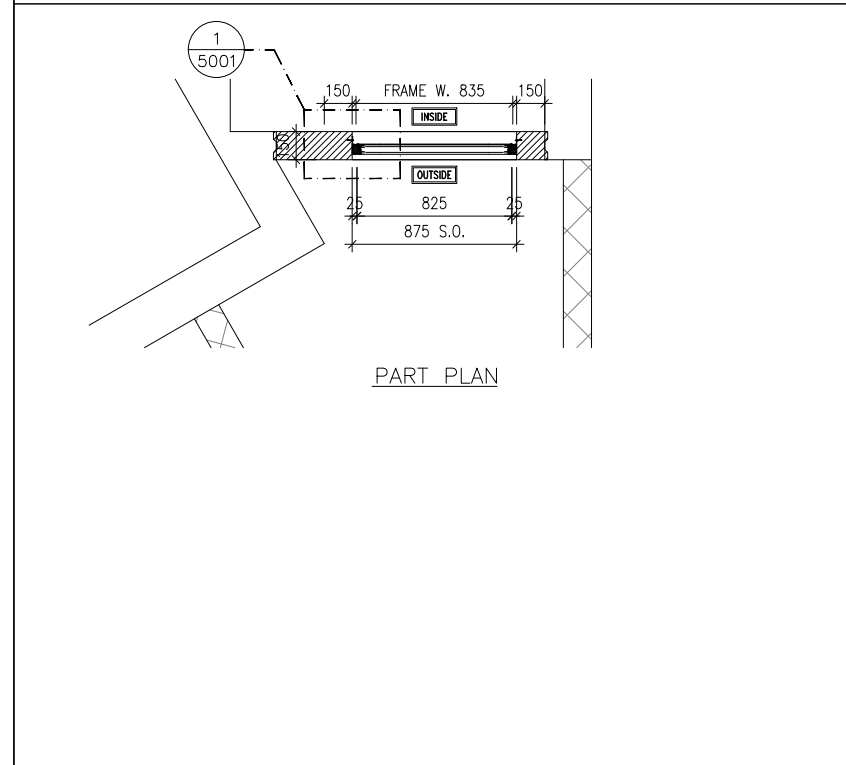
ELEVATION

SECTION

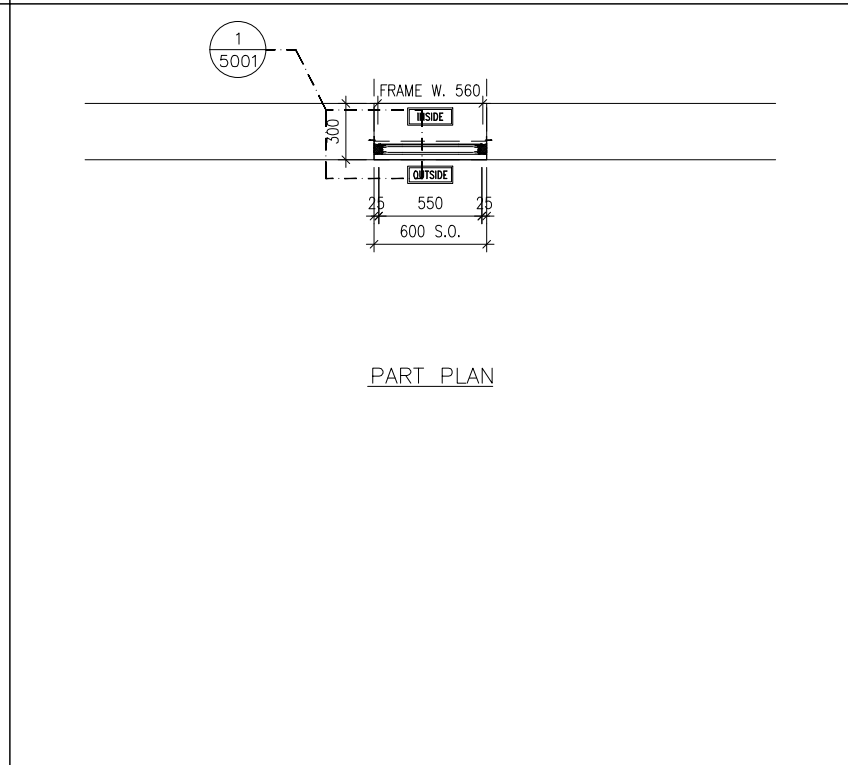


ELEVATION

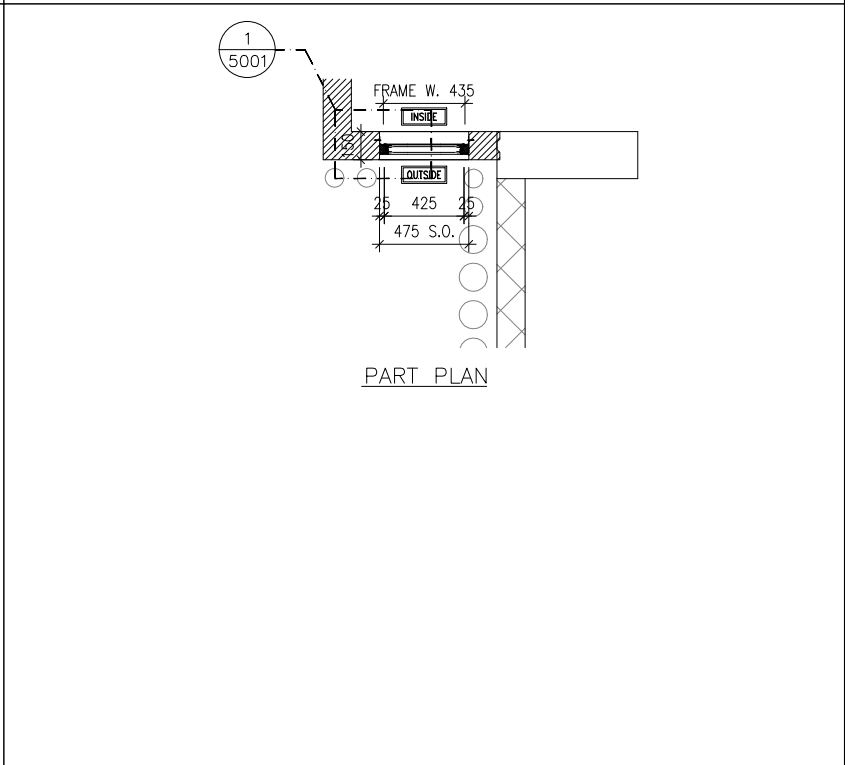
SECTION



PART PLAN



PART PLAN



PART PLAN

B.D. REF :

CLIENT :
 信和置業有限公司
 Sino Land Company Limited

ARCHITECT :
 ronald lu & partners
 Ronald Lu & Partners (HK) Ltd.
 呂元祥建築師事務所 (香港) 有限公司

MAIN CONTRACTOR :
 Gammon

STRUCTURAL ENGINEER :
 AECOM

FACADE CONSULTANT:
 AECOM

NOTE :
 1. ALL DIMENSIONS ARE IN mm.
 2. ALL ELEVATIONS ARE VIEWED FROM OUTSIDE.
 3. ALL DIMENSIONS TO BE VERIFIED ON SITE BEFORE FABRICATION.

LEGEND :
 (X1) --- DETAIL MARK NO.
 (X001) --- REFER SHEET NO.

1. F.F.L. --- FINISHED FLOOR LEVEL
 2. S.F.L. --- STRUCTURAL FLOOR LEVEL
 3. (R) --- REVERSED DETAIL

NO.	DATE	REVISED	BY
JOB NO. : J-858			
PROJECT : PROPOSED RESIDENTIAL DEVELOPMENT AT TKOTL 70RP, PHASE 11, LOHAS PARK TSEUNG KWAN O, N.T.			
TITLE : IN-SITU ALUM. LOUVER ALUM. LOUVER SCHEDULE FOR TOWER 2			

GLAZING AREA:	Required = N/A	Provided = N/A
OPENABLE AREA:	Required = N/A	Provided = N/A

GLAZING AREA:	Required = N/A	Provided = N/A
OPENABLE AREA:	Required = N/A	Provided = N/A

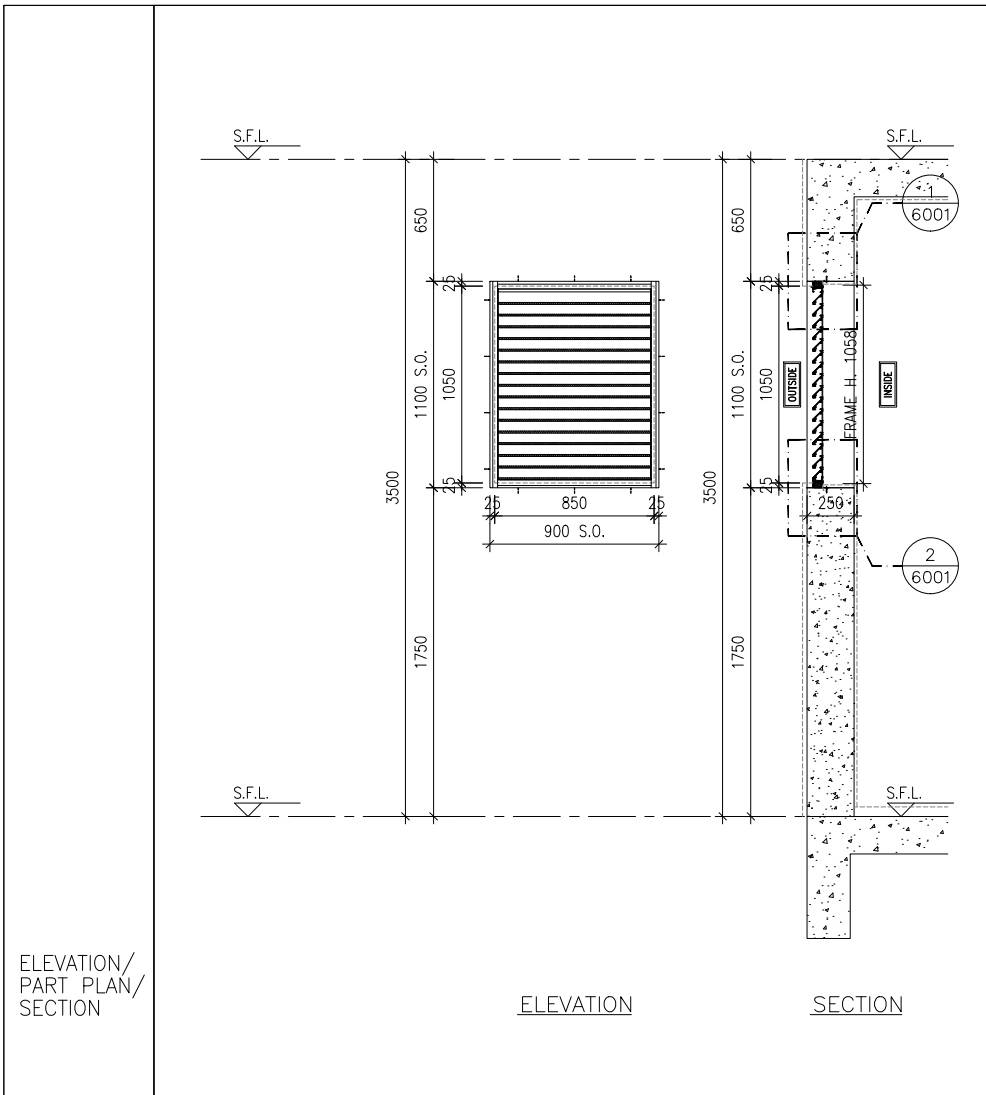
GLAZING AREA:	Required = N/A	Provided = N/A
OPENABLE AREA:	Required = N/A	Provided = N/A

WINDOW MARK	
LOCATION	TOWER 1 40/F(REFUGE FLOOR)
SECTION	50mm ALUM. SECTION WITH PVF2 COATING(SLIVER CHAMPAGNE COLOUR)
GLAZING	N/A
QUANTITY	1 NOS.
REMARKS	FREE AREA (%) : 18.62/33.93 = 0.5488 = 54.88%

WINDOW MARK	
LOCATION	TOWER 2 40/F(REFUGE FLOOR)
SECTION	50mm ALUM. SECTION WITH PVF2 COATING(SLIVER CHAMPAGNE COLOUR)
GLAZING	N/A
QUANTITY	6 NOS.
REMARKS	FREE AREA (%) : 35.01/49.10 = 0.7130 = 71.30%

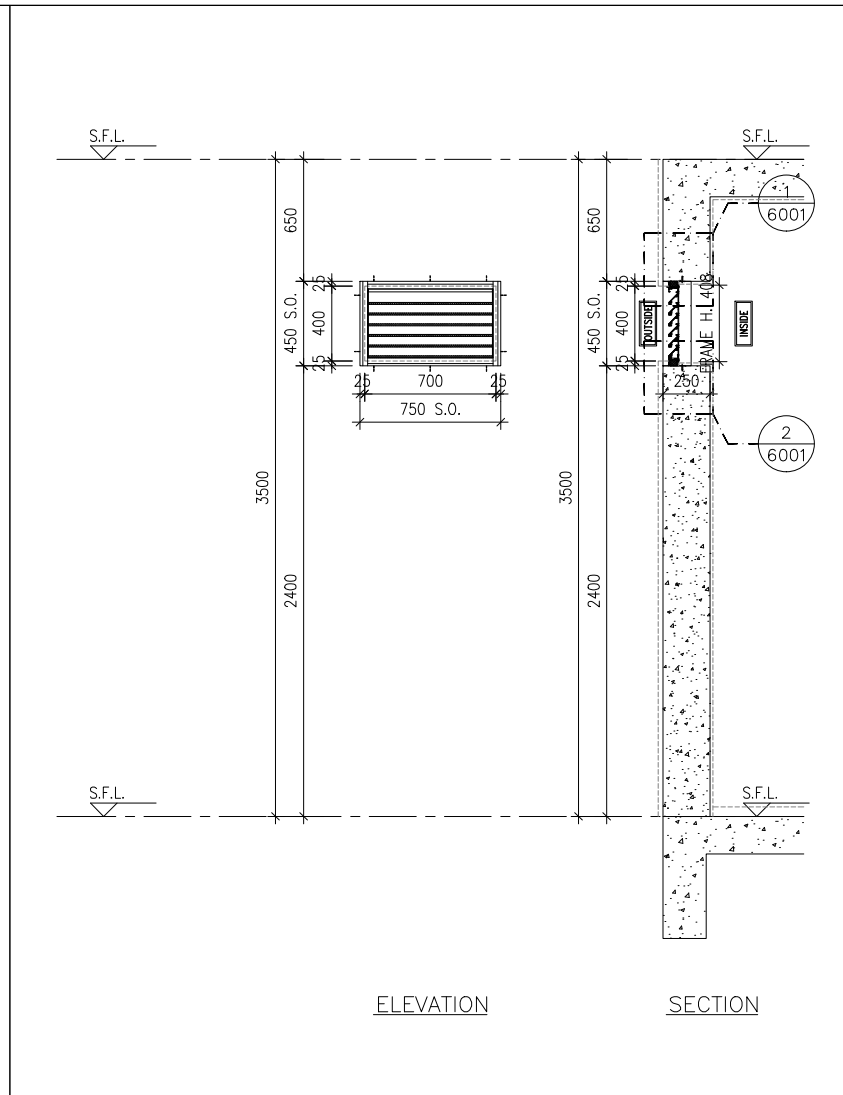
WINDOW MARK	
LOCATION	TOWER 2 REFUGE FLOOR(40/F)
SECTION	50mm ALUM. SECTION WITH PVF2 COATING(SLIVER CHAMPAGNE COLOUR)
GLAZING	N/A
QUANTITY	1 NOS.
REMARKS	FREE AREA (%) : 20.27/35.46 = 0.5716 = 57.16%

DATE : 04-OCT-21	SCALE : 1:40
DRAWN BY :	CHECKED BY :
美特鋁質有限公司 MIDI ALUMINIUM FABRICATOR LTD. Units 6-8, Sunray Industrial Centre, 1/F 610 Cha Kwo Ling Road, Kowloon Tel:23489211-4 Fax:(852)2727666	
DWG NO. : J858-IL-2202	REV. : -



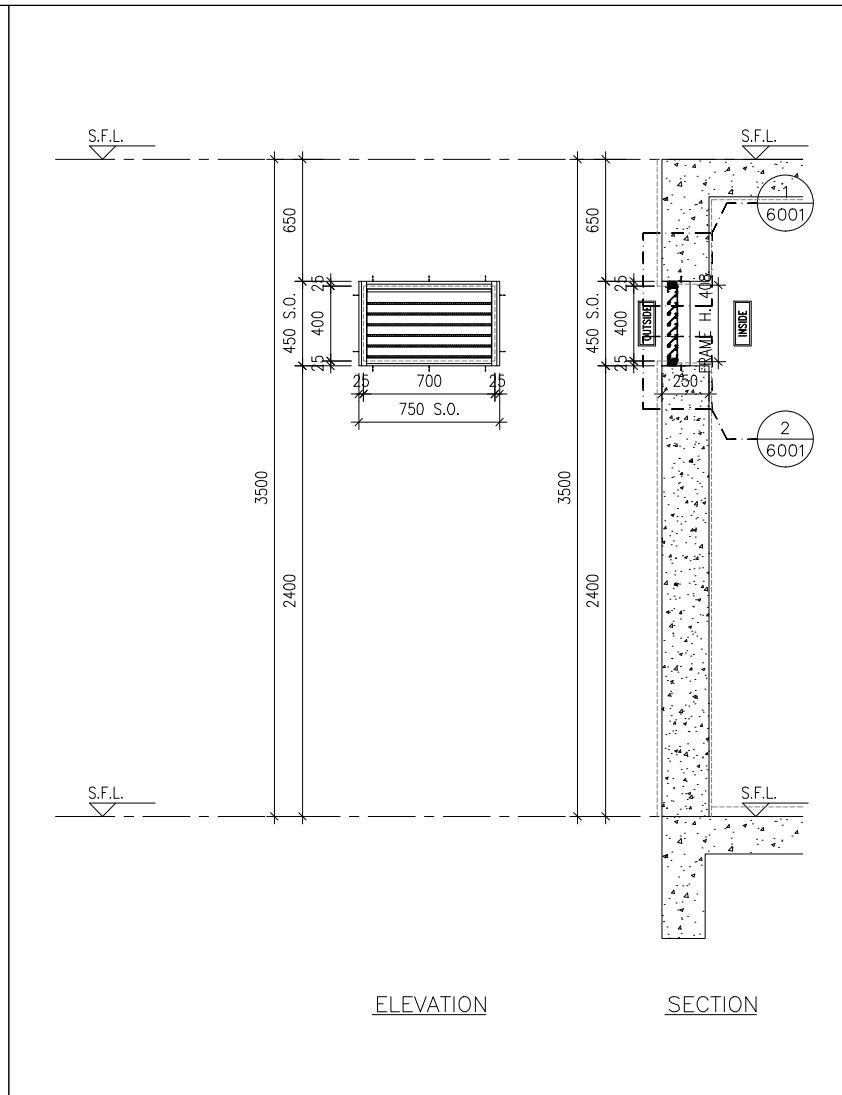
ELEVATION

SECTION



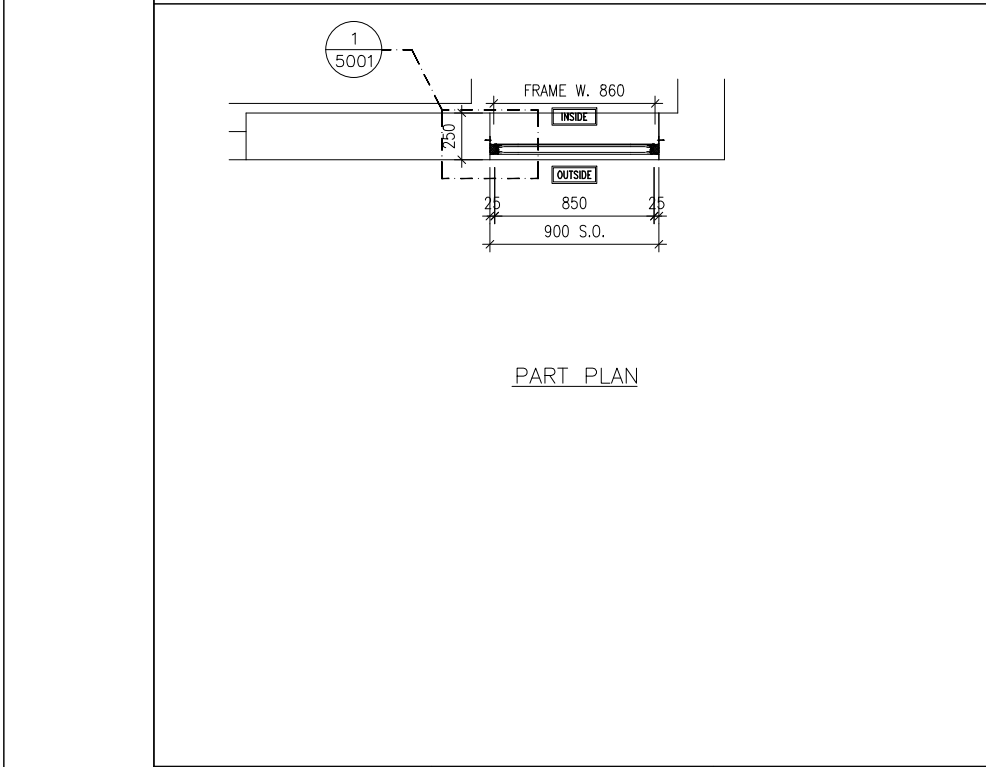
ELEVATION

SECTION

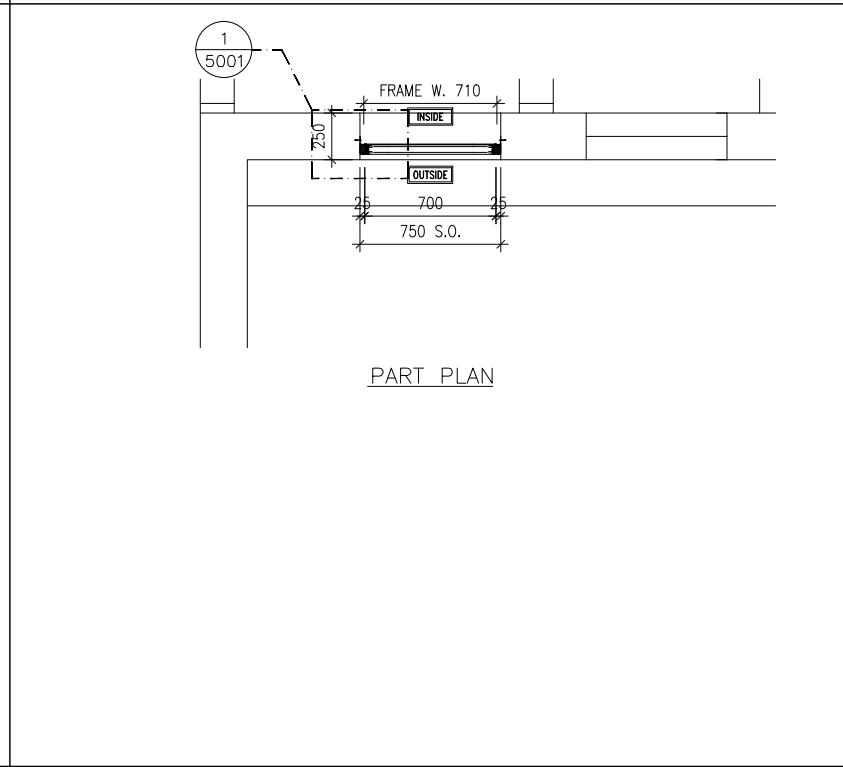


ELEVATION

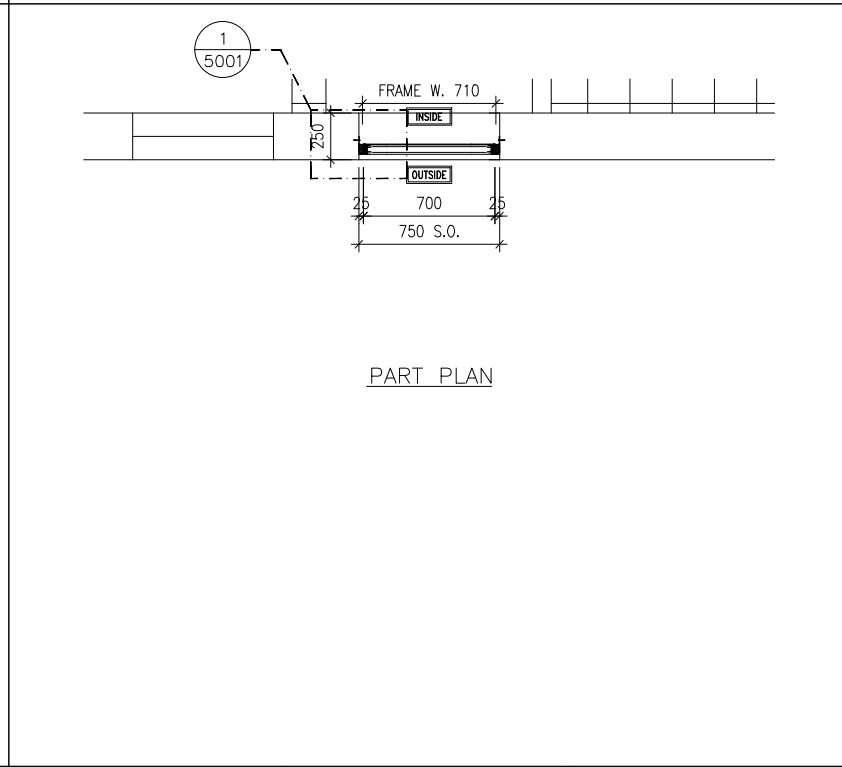
SECTION



PART PLAN



PART PLAN



PART PLAN

GLAZING AREA:	Required = N/A	Provided = N/A
OPENABLE AREA:	Required = N/A	Provided = N/A

GLAZING AREA:	Required = N/A	Provided = N/A
OPENABLE AREA:	Required = N/A	Provided = N/A

GLAZING AREA:	Required = N/A	Provided = N/A
OPENABLE AREA:	Required = N/A	Provided = N/A

WINDOW MARK	
LOCATION	TOWER 2 UPPER ROOF
SECTION	50mm ALUM. SECTION WITH PVF2 COATING(SLIVER CHAMPAGNE COLOUR)
GLAZING	N/A
QUANTITY	1 NO.
REMARKS	FREE AREA (%) : 21.18/36.31 = 0.5833 = 58.33%

WINDOW MARK	
LOCATION	TOWER 2 UPPER ROOF
SECTION	50mm ALUM. SECTION WITH PVF2 COATING(SLIVER CHAMPAGNE COLOUR)
GLAZING	N/A
QUANTITY	1 NO.
REMARKS	FREE AREA (%) : 17.77/33.14 = 0.5362 = 53.62%

WINDOW MARK	
LOCATION	TOWER 2 UPPER ROOF
SECTION	50mm ALUM. SECTION WITH PVF2 COATING(SLIVER CHAMPAGNE COLOUR)
GLAZING	N/A
QUANTITY	1 NO.
REMARKS	FREE AREA (%) : 17.77/33.14 = 0.5362 = 53.62%

B.D. REF :

CLIENT :
 信和置業有限公司
 Sino Land Company Limited

ARCHITECT :
 ronald lu & partners
 Architect, Planners, Interior Designers
 Ronald Lu & Partners (HK) Ltd.
 呂元祥建築師事務所 (香港) 有限公司

MAIN CONTRACTOR :
 Gammon

STRUCTURAL ENGINEER :
 AECOM

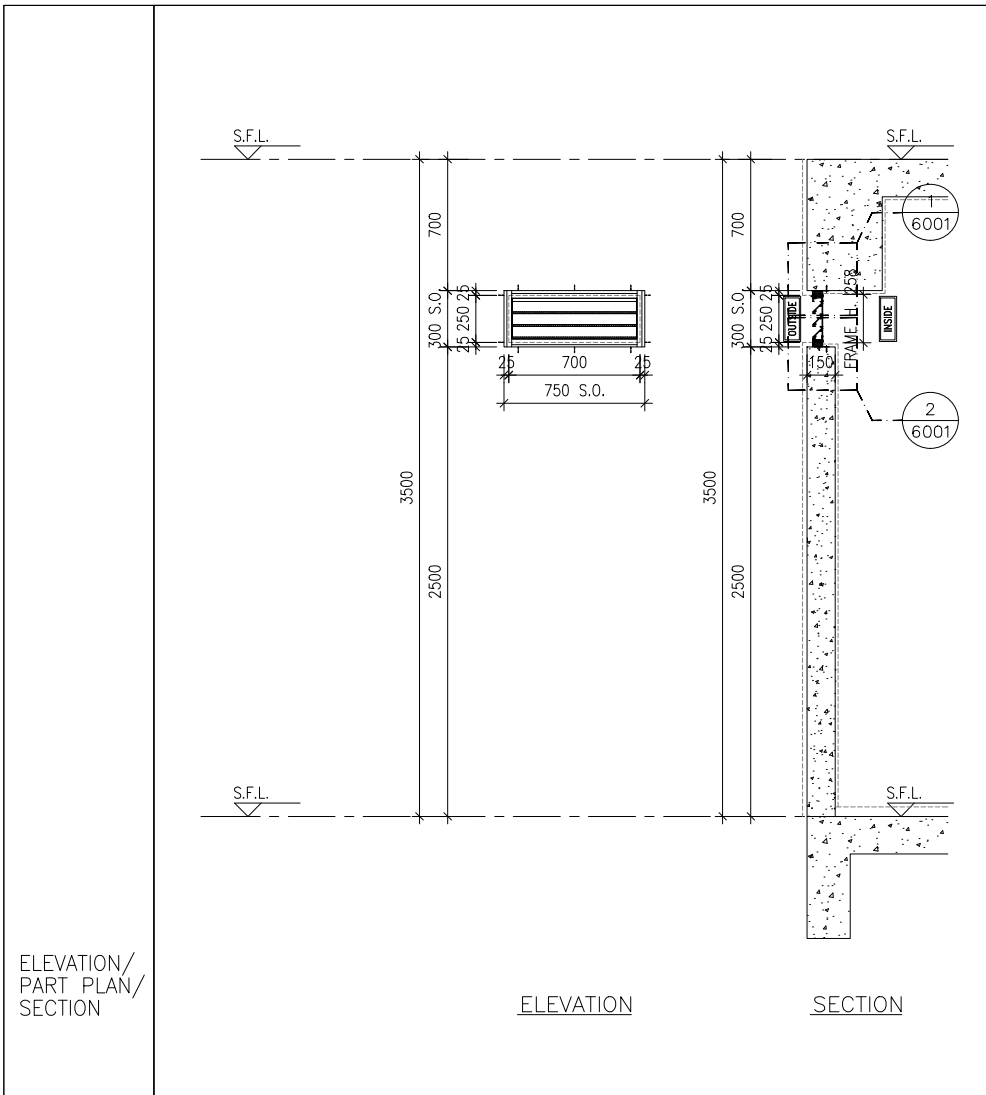
FAÇADE CONSULTANT:
 AECOM

NOTE :
 1. ALL DIMENSIONS ARE IN mm.
 2. ALL ELEVATIONS ARE VIEWED FROM OUTSIDE.
 3. ALL DIMENSIONS TO BE VERIFIED ON SITE BEFORE FABRICATION.

LEGEND :
 -- DETAIL MARK NO.
 -- REFER SHEET NO.

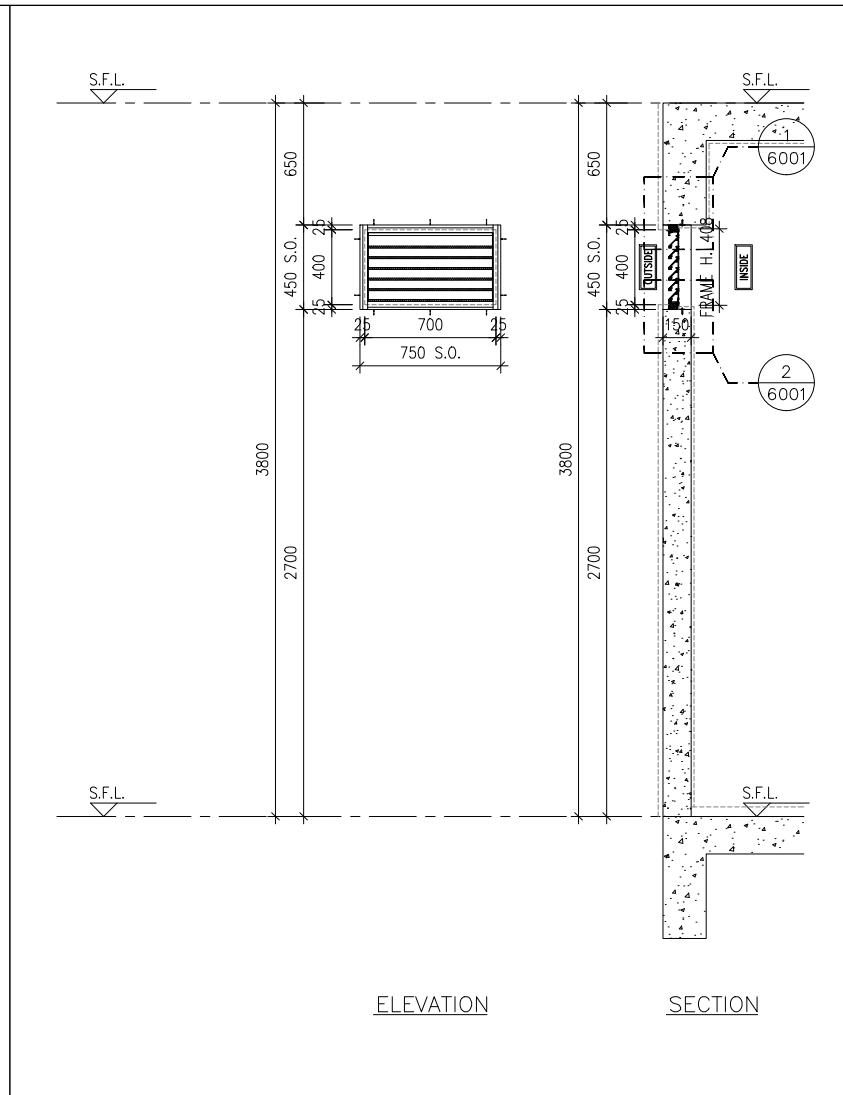
1. F.F.L. -- FINISHED FLOOR LEVEL
 2. S.F.L. -- STRUCTURAL FLOOR LEVEL
 3. (R) -- REVERSED DETAIL

NO.	DATE	REVISED	BY
JOB NO. : J-858			
PROJECT : PROPOSED RESIDENTIAL DEVELOPMENT AT TKOTL 70RP, PHASE 11, LOHAS PARK TSEUNG KWAN O, N.T.			
TITLE : IN-SITU ALUM. LOUVER ALUM. LOUVER SCHEDULE FOR TOWER 2			
DATE : 04-OCT-21		SCALE : 1:40	
DRAWN BY :		CHECKED BY :	
美特鋁質有限公司 MIDI ALUMINIUM FABRICATOR LTD. Units 6-8, Sunray Industrial Centre, 1/F 610 Cha Kwo Ling Road, Kowloon Tel:23489211-4 Fax:(852)2727666			
DWG NO. : J858-IL-2203		REV. : -	



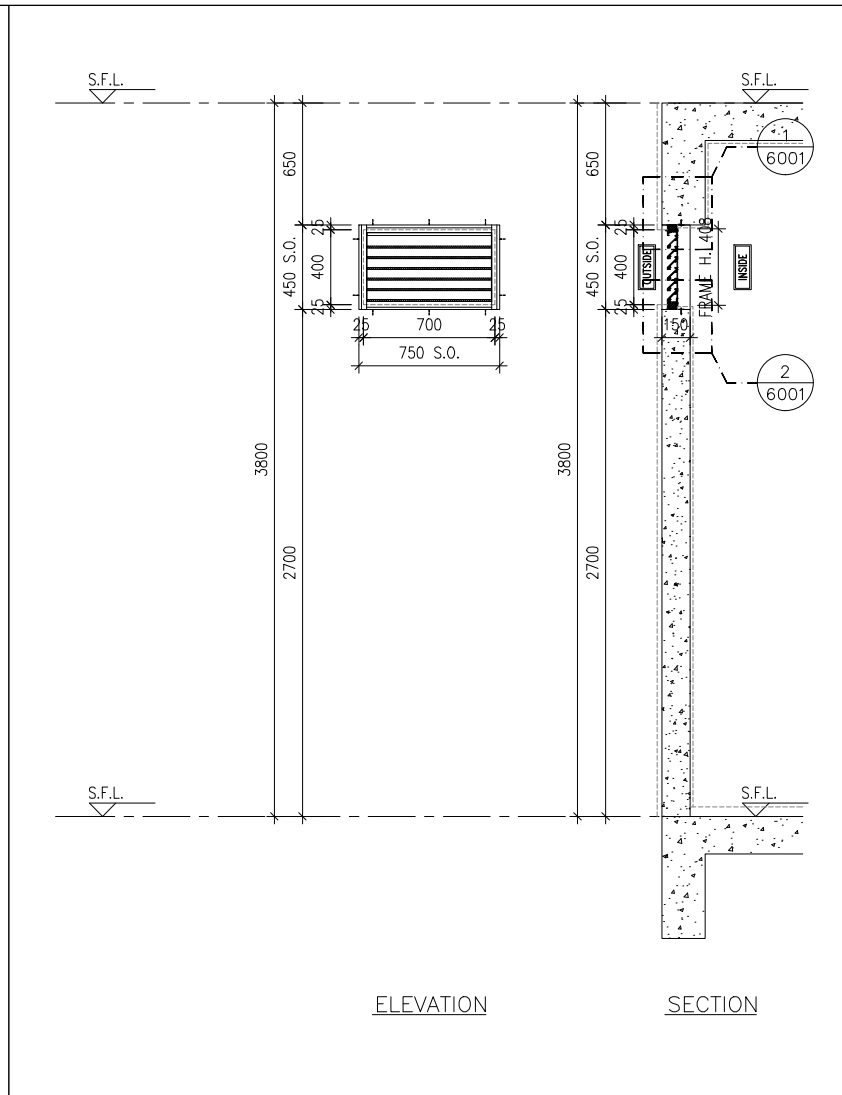
ELEVATION

SECTION



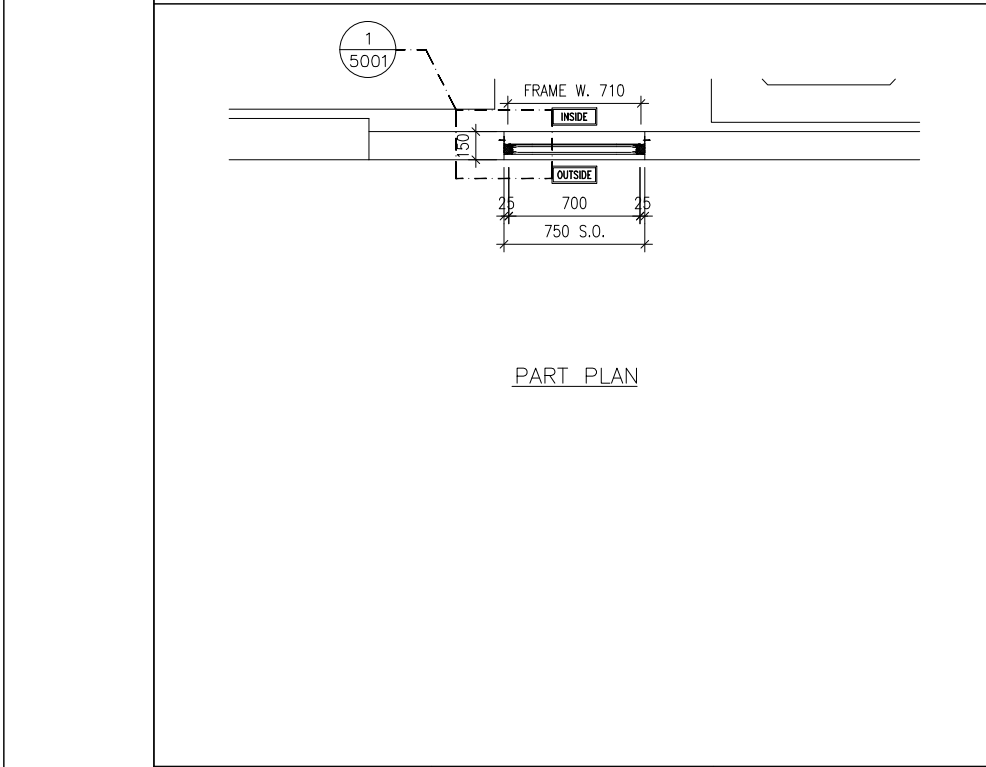
ELEVATION

SECTION

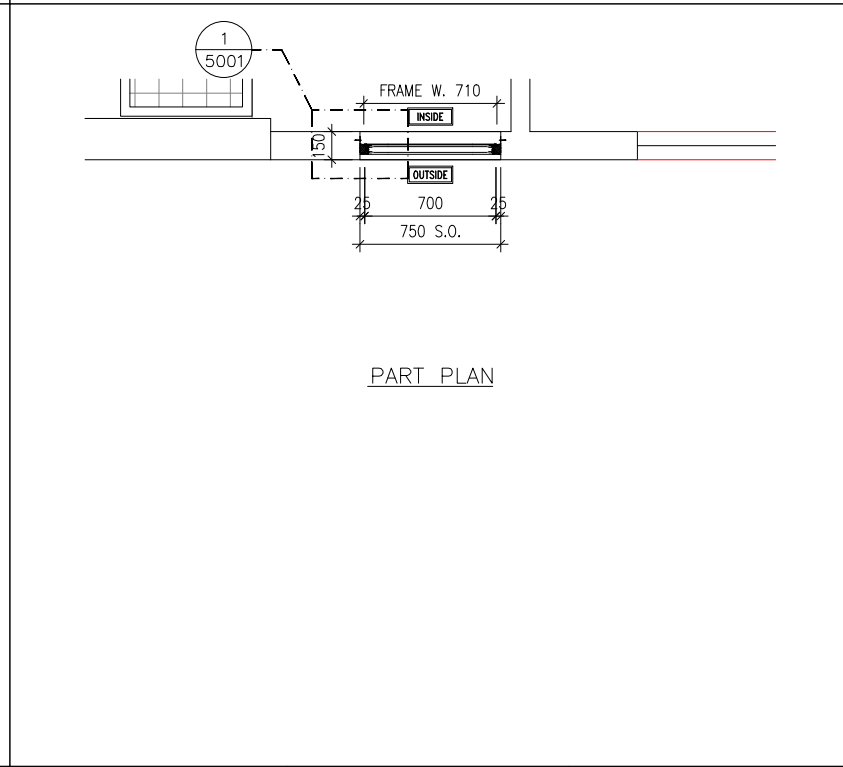


ELEVATION

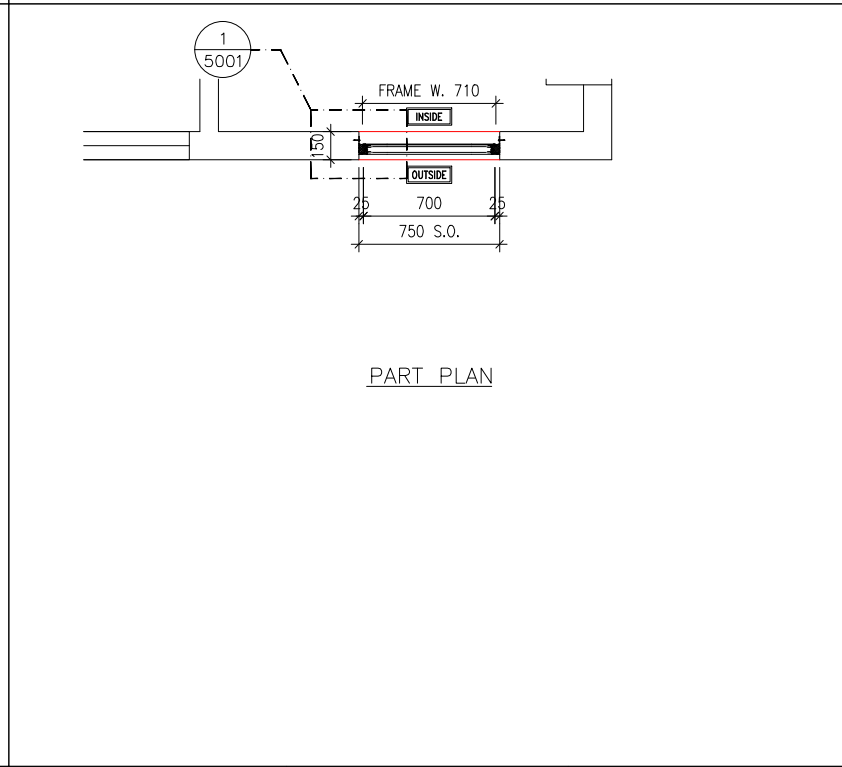
SECTION



PART PLAN



PART PLAN



PART PLAN

B.D. REF :

CLIENT :
 信和置業有限公司
 Sino Land Company Limited

ARCHITECT :
 ronald lu & partners
 Ronald Lu & Partners (HK) Ltd.
 呂元祥建築師事務所 (香港) 有限公司

MAIN CONTRACTOR :
 Gammon

STRUCTURAL ENGINEER :
 AECOM

FACADE CONSULTANT:
 AECOM

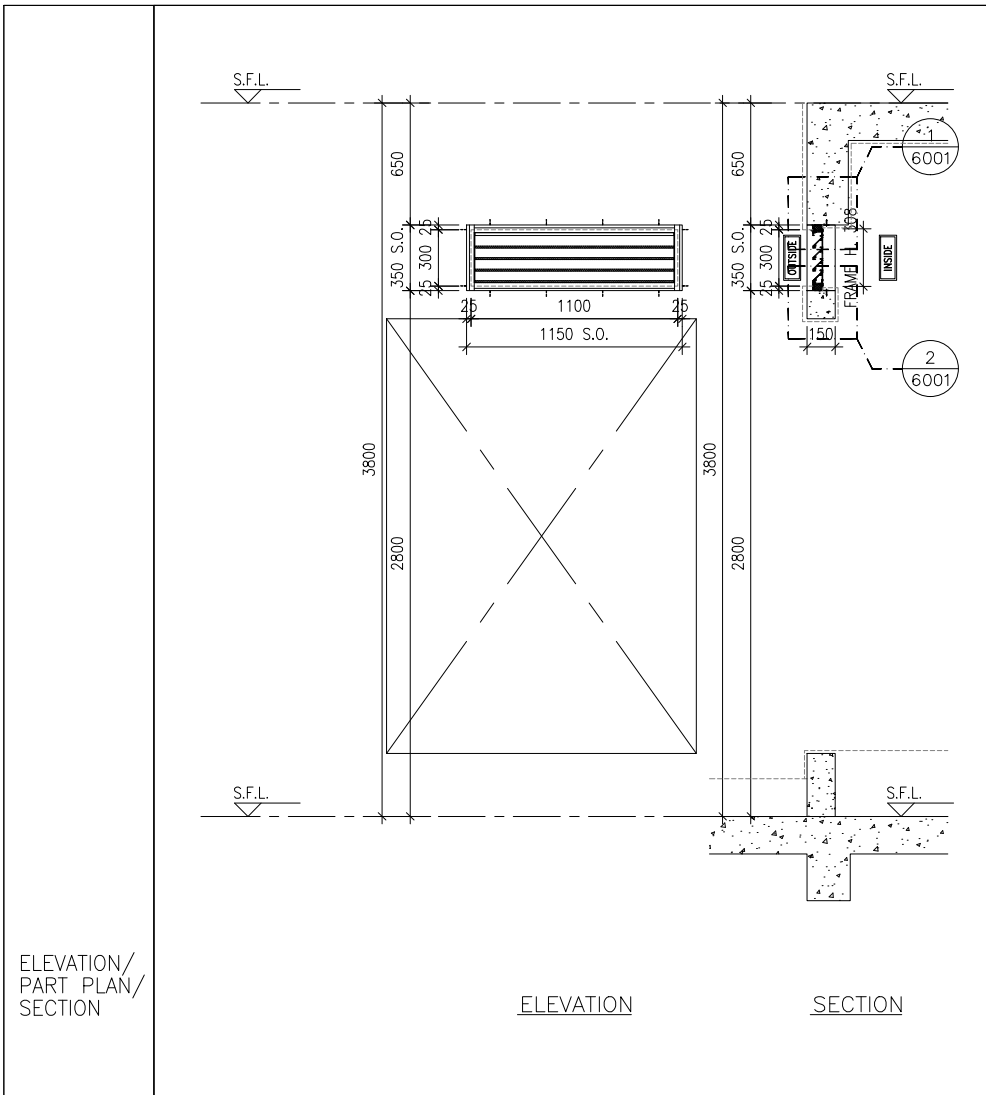
- NOTE :
1. ALL DIMENSIONS ARE IN mm.
 2. ALL ELEVATIONS ARE VIEWED FROM OUTSIDE.
 3. ALL DIMENSIONS TO BE VERIFIED ON SITE BEFORE FABRICATION.
- LEGEND :
- ① --- DETAIL MARK NO.
 X001 --- REFER SHEET NO.
1. F.F.L. --- FINISHED FLOOR LEVEL
 2. S.F.L. --- STRUCTURAL FLOOR LEVEL
 3. (R) --- REVERSED DETAIL

NO.	DATE	REVISED	BY
JOB NO. : J-858			
PROJECT : PROPOSED RESIDENTIAL DEVELOPMENT AT TKOTL 70RP, PHASE 11, LOHAS PARK TSEUNG KWAN O, N.T.			
TITLE : IN-SITU ALUM. LOUVER ALUM. LOUVER SCHEDULE FOR TOWER 2			
DATE : 04-OCT-21	SCALE : 1:40		
DRAWN BY :	CHECKED BY :		
美特鋁質有限公司 MIDI ALUMINIUM FABRICATOR LTD. Units 6-8, Sunray Industrial Centre, 1/F 610 Cha Kwo Ling Road, Kowloon Tel:23489211-4 Fax:(852)2727666			
DWG NO. : J858-IL-2204	REV. : -		

GLAZING AREA:	Required = N/A	Provided = N/A
OPENABLE AREA:	Required = N/A	Provided = N/A
WINDOW MARK		
LOCATION	TOWER 2 UPPER ROOF	
SECTION	50mm ALUM. SECTION WITH PVF2 COATING(SLIVER CHAMPAGNE COLOUR)	
GLAZING	N/A	
QUANTITY	1 NOS.	
REMARKS	FREE AREA (%) : 24.21/39.12 = 0.6189 = 61.89%	

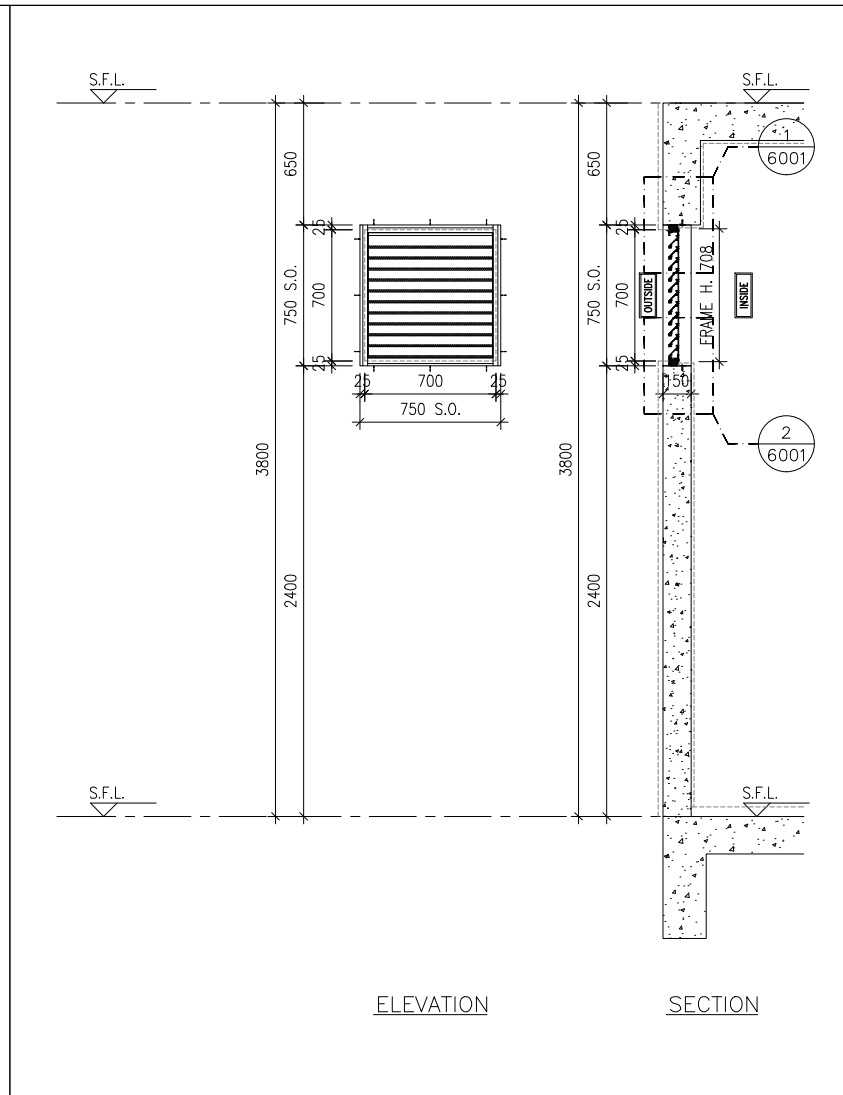
GLAZING AREA:	Required = N/A	Provided = N/A
OPENABLE AREA:	Required = N/A	Provided = N/A
WINDOW MARK		
LOCATION	TOWER 2 LIFT MACHINE ROOM	
SECTION	50mm ALUM. SECTION WITH PVF2 COATING(SLIVER CHAMPAGNE COLOUR)	
GLAZING	N/A	
QUANTITY	1 NOS.	
REMARKS	FREE AREA (%) : 17.77/33.14 = 0.5362 = 53.62%	

GLAZING AREA:	Required = N/A	Provided = N/A
OPENABLE AREA:	Required = N/A	Provided = N/A
WINDOW MARK		
LOCATION	TOWER 2 LIFT MACHINE ROOM	
SECTION	50mm ALUM. SECTION WITH PVF2 COATING(SLIVER CHAMPAGNE COLOUR)	
GLAZING	N/A	
QUANTITY	1 NOS.	
REMARKS	FREE AREA (%) : 17.77/33.14 = 0.5362 = 53.62%	



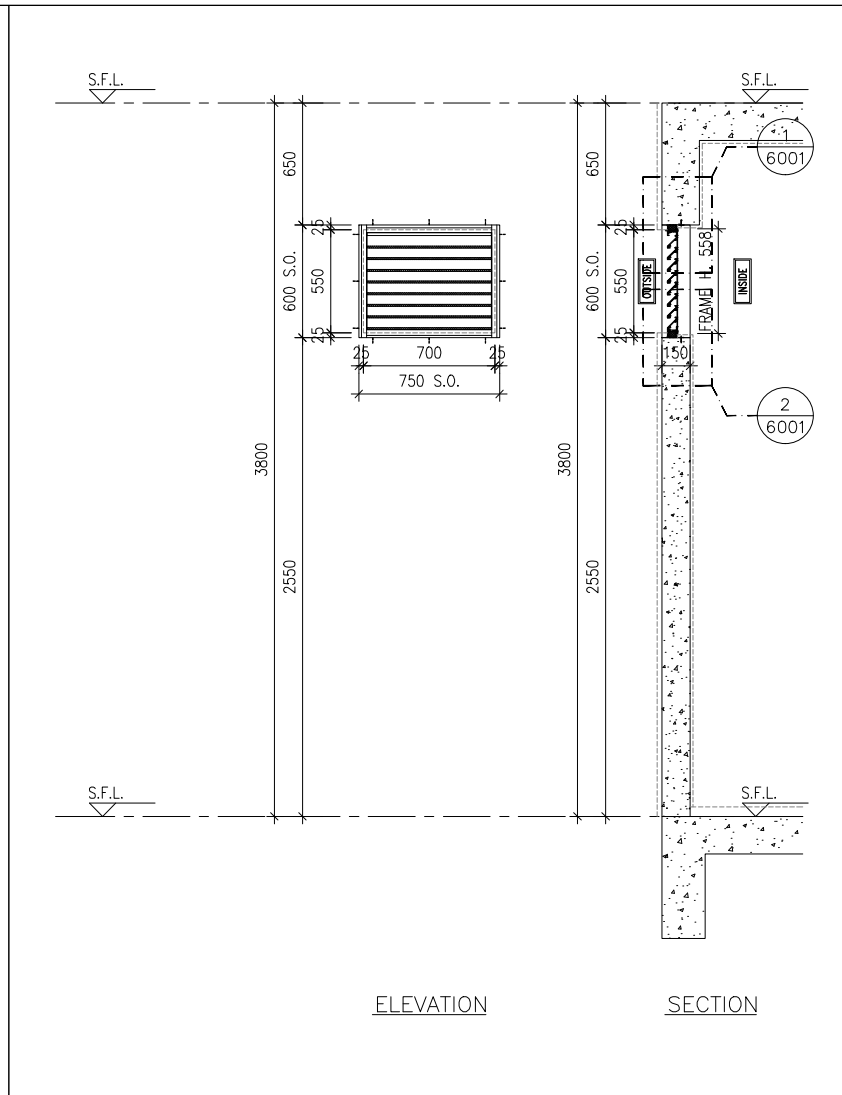
ELEVATION

SECTION



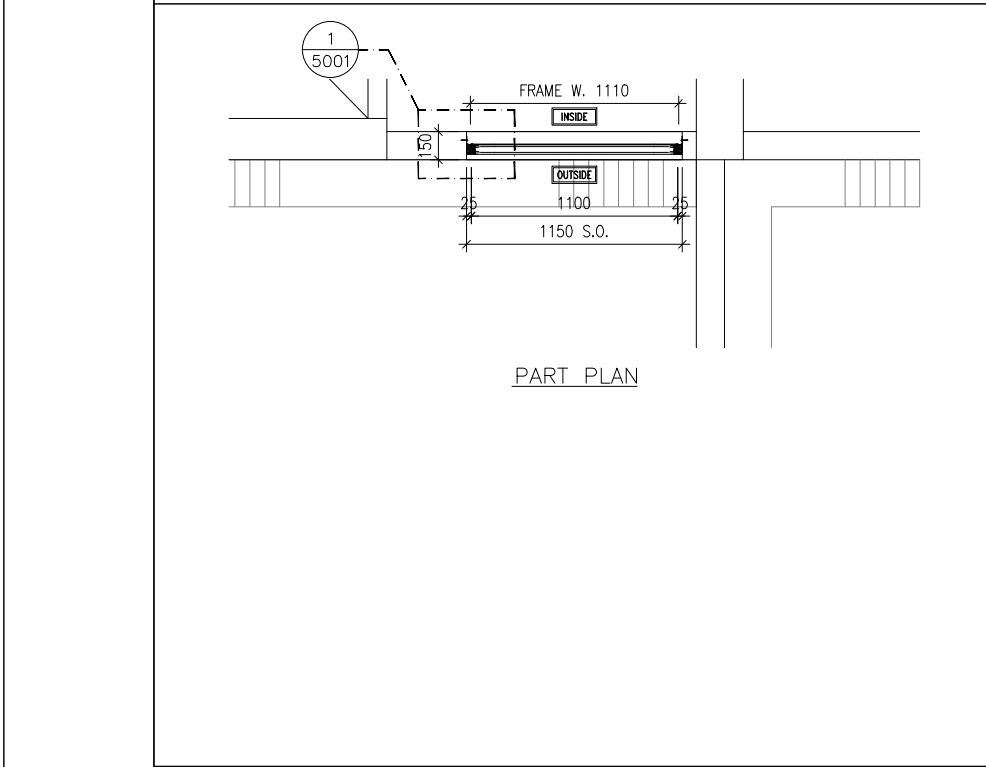
ELEVATION

SECTION

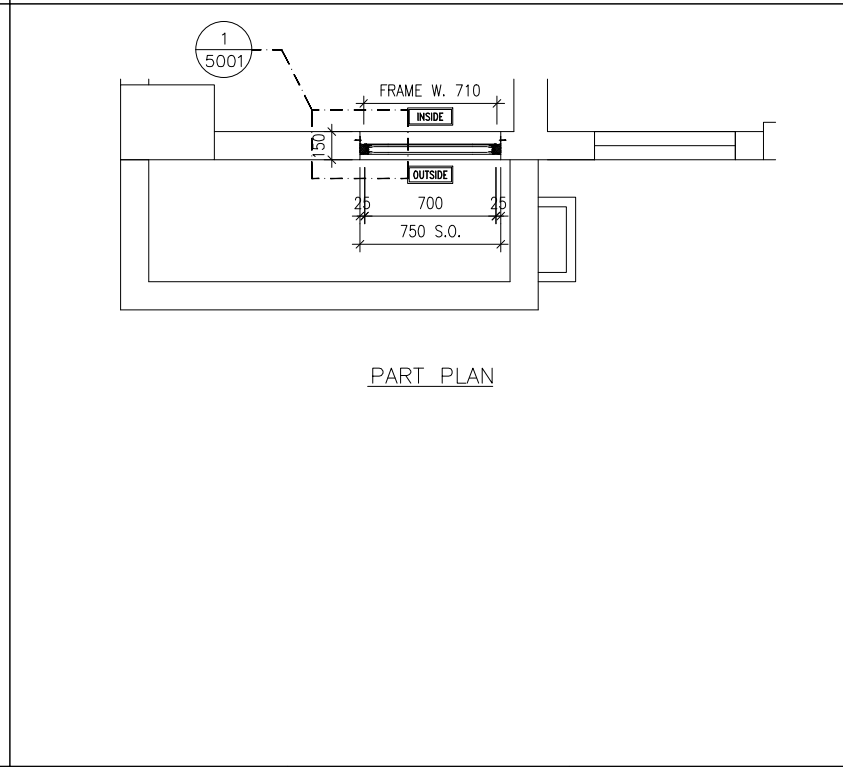


ELEVATION

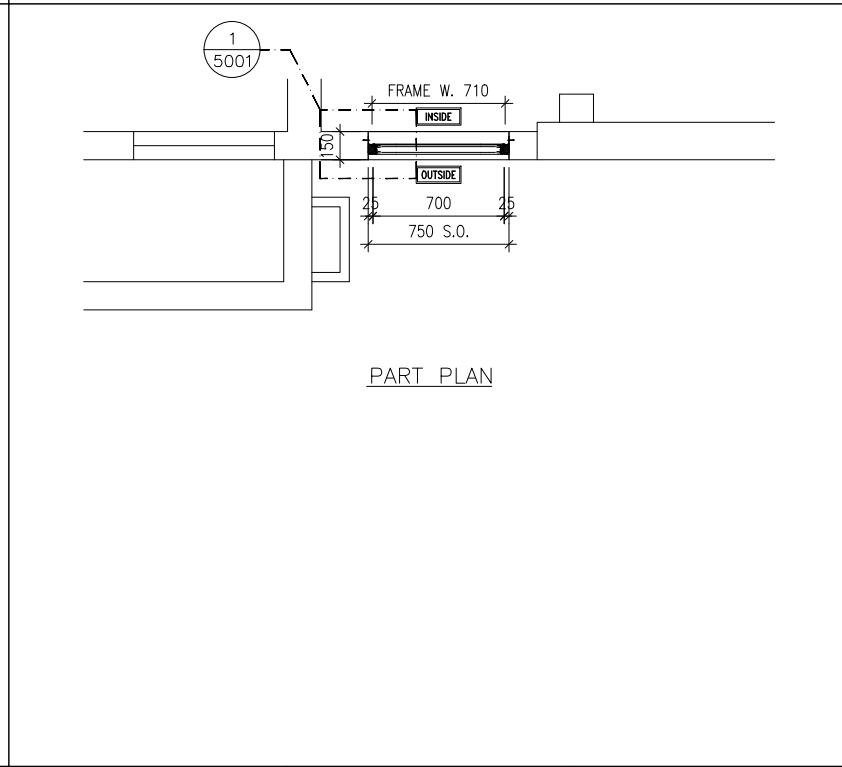
SECTION



PART PLAN



PART PLAN



PART PLAN

B.D. REF :

CLIENT :
 信和置業有限公司
 Sino Land Company Limited

ARCHITECT :
 ronald lu & partners
 Architectural Planners Interior Designers
 Ronald Lu & Partners (HK) Ltd.
 呂元祥建築師事務所 (香港) 有限公司

MAIN CONTRACTOR :
 Gammon

STRUCTURAL ENGINEER :
 AECOM

FAÇADE CONSULTANT:
 AECOM

NOTE :
 1. ALL DIMENSIONS ARE IN mm.
 2. ALL ELEVATIONS ARE VIEWED FROM OUTSIDE.
 3. ALL DIMENSIONS TO BE VERIFIED ON SITE BEFORE FABRICATION.

LEGEND :
 x1 --- DETAIL MARK NO.
 x001 --- REFER SHEET NO.

1. F.F.L. --- FINISHED FLOOR LEVEL
 2. S.F.L. --- STRUCTURAL FLOOR LEVEL
 3. (R) --- REVERSED DETAIL

NO.	DATE	REVISED	BY
JOB NO. : J-858			
PROJECT : PROPOSED RESIDENTIAL DEVELOPMENT AT TKOTL 70RP, PHASE 11, LOHAS PARK TSEUNG KWAN O, N.T.			
TITLE : IN-SITU ALUM. LOUVER ALUM. LOUVER SCHEDULE FOR TOWER 2			
DATE : 04-OCT-21		SCALE : 1:40	
DRAWN BY :		CHECKED BY :	
美特鋁質有限公司 MIDI ALUMINIUM FABRICATOR LTD. Units 6-8, Sunray Industrial Centre, 1/F 610 Cha Kwo Ling Road, Kowloon Tel:23489211-4 Fax:(852)27272666			
DWG NO. : J858-IL-2205		REV. : -	

GLAZING AREA:	Required = N/A	Provided = N/A
OPENABLE AREA:	Required = N/A	Provided = N/A

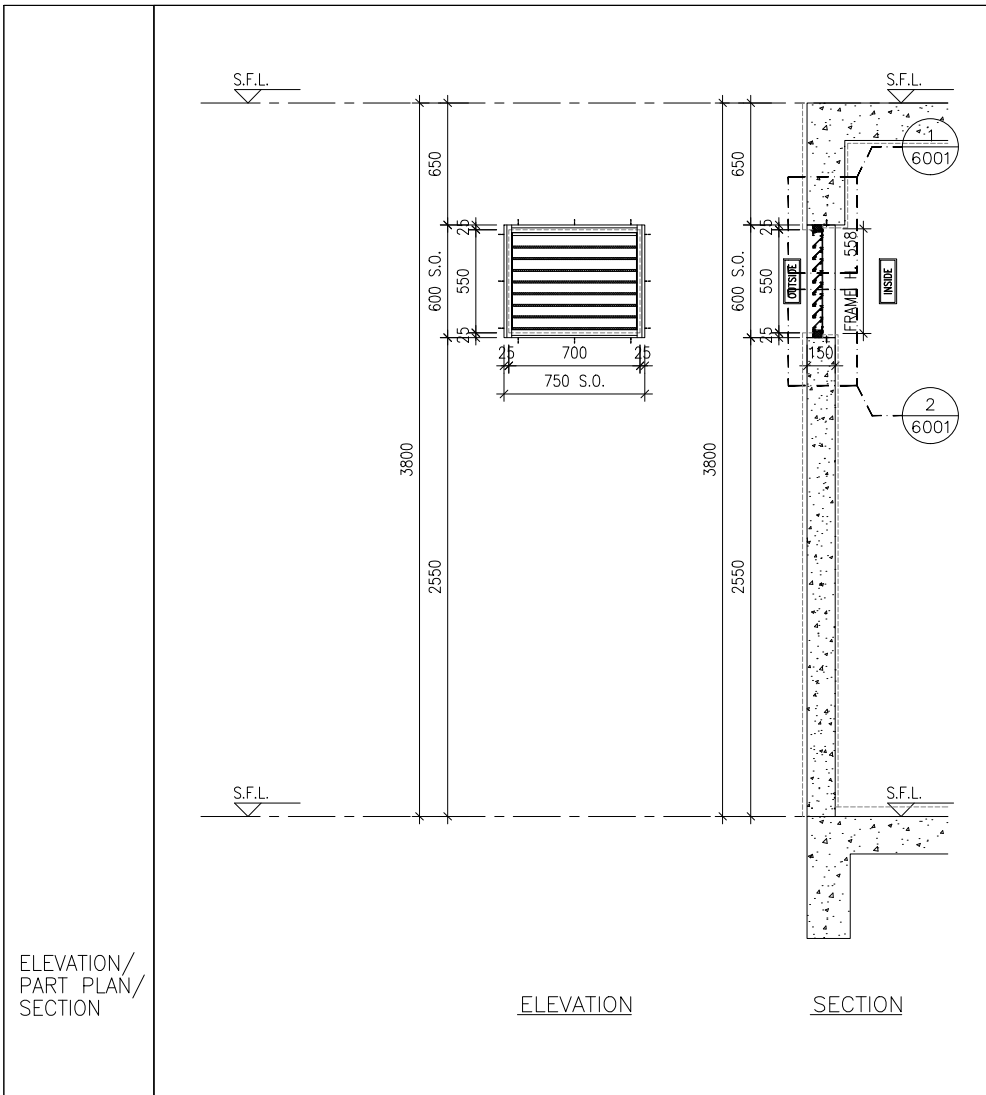
GLAZING AREA:	Required = N/A	Provided = N/A
OPENABLE AREA:	Required = N/A	Provided = N/A

GLAZING AREA:	Required = N/A	Provided = N/A
OPENABLE AREA:	Required = N/A	Provided = N/A

WINDOW MARK	
LOCATION	TOWER 2 ROOF FLOOR
SECTION	50mm ALUM. SECTION WITH PVF2 COATING(SLIVER CHAMPAGNE COLOUR)
GLAZING	N/A
QUANTITY	1 NOS.
REMARKS	FREE AREA (%) : 20.63/35.80 = 0.5763 = 57.63%

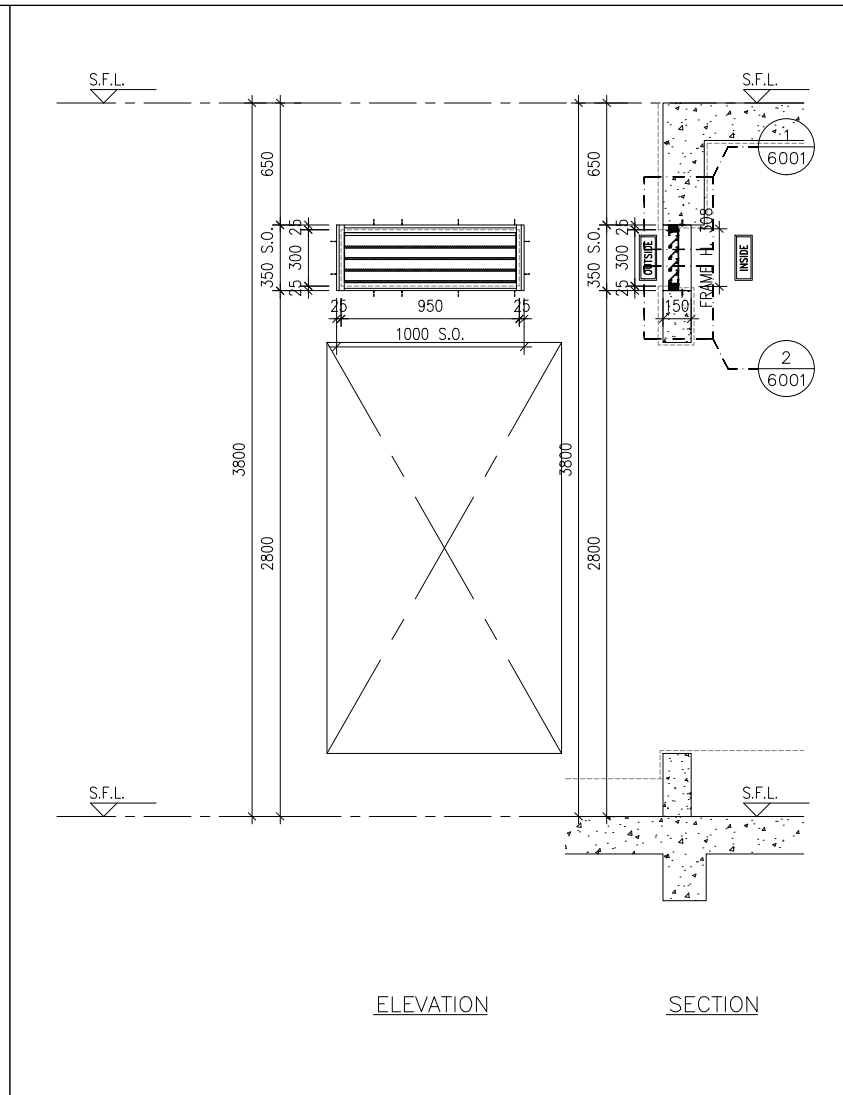
WINDOW MARK	
LOCATION	TOWER 2 LIFT MACHINE ROOM
SECTION	50mm ALUM. SECTION WITH PVF2 COATING(SLIVER CHAMPAGNE COLOUR)
GLAZING	N/A
QUANTITY	1 NOS.
REMARKS	FREE AREA (%) : 18.76/34.06 = 0.5508 = 55.08%

WINDOW MARK	
LOCATION	TOWER 2 LIFT MACHINE ROOM
SECTION	50mm ALUM. SECTION WITH PVF2 COATING(SLIVER CHAMPAGNE COLOUR)
GLAZING	N/A
QUANTITY	1 NOS.
REMARKS	FREE AREA (%) : 21.02/36.16 = 0.5813 = 58.13%



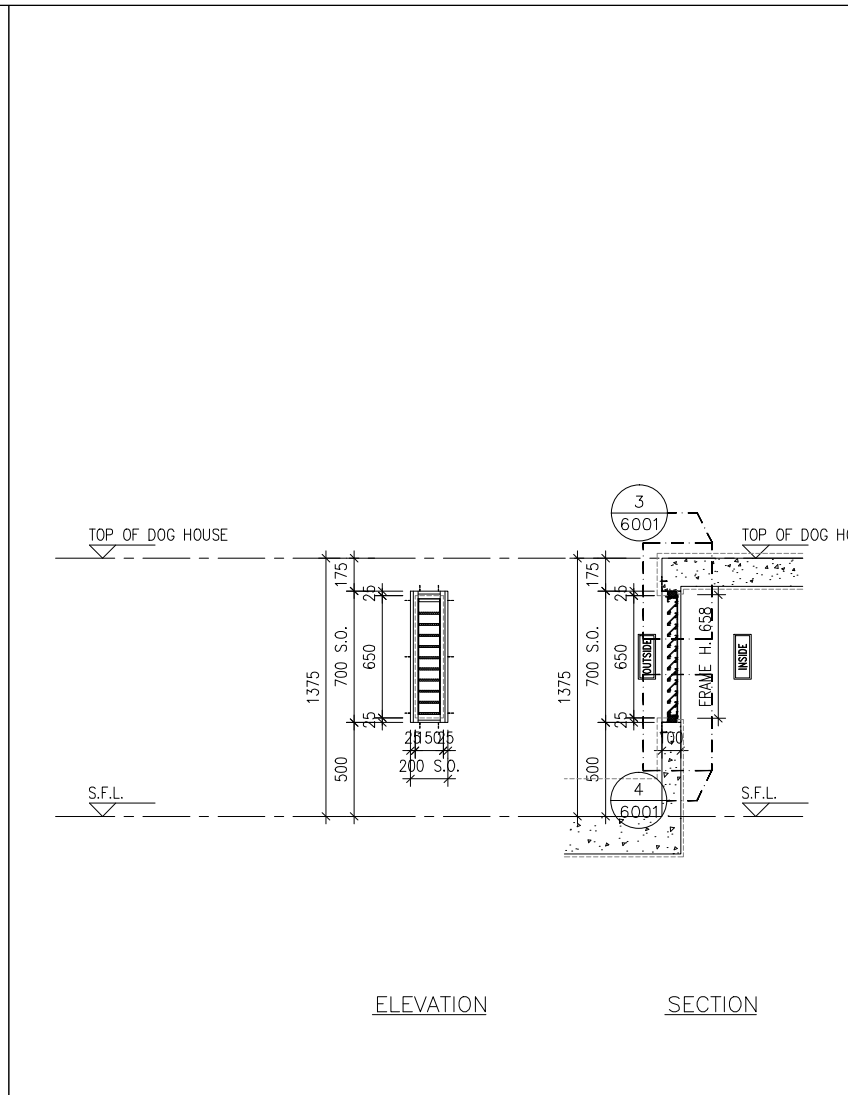
ELEVATION

SECTION



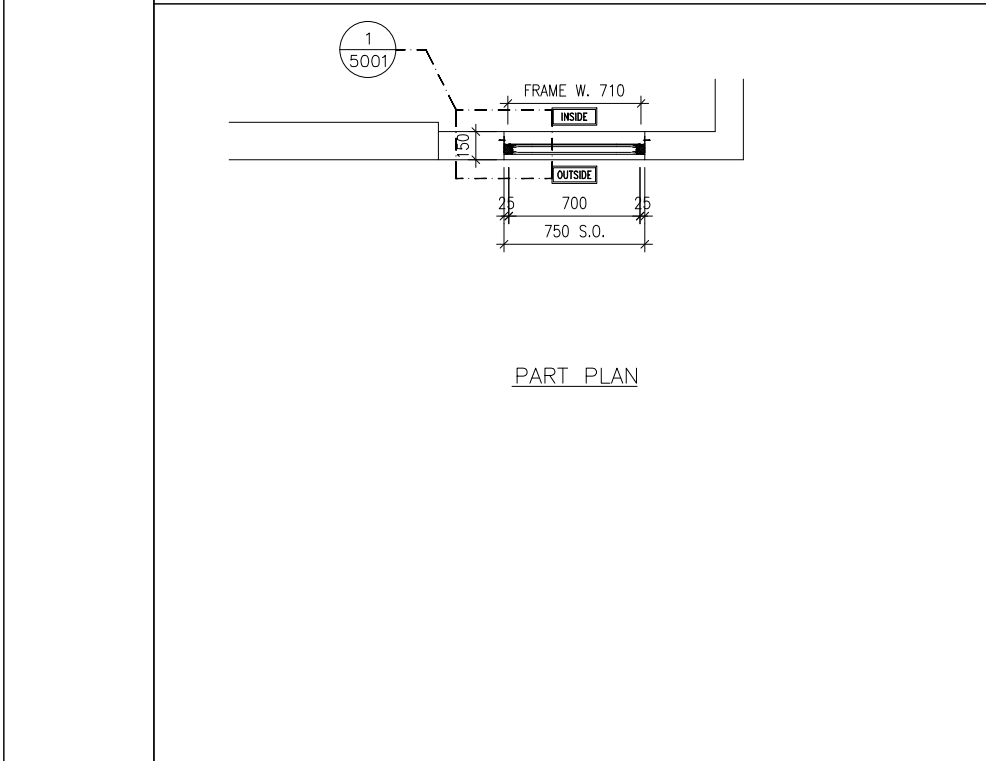
ELEVATION

SECTION

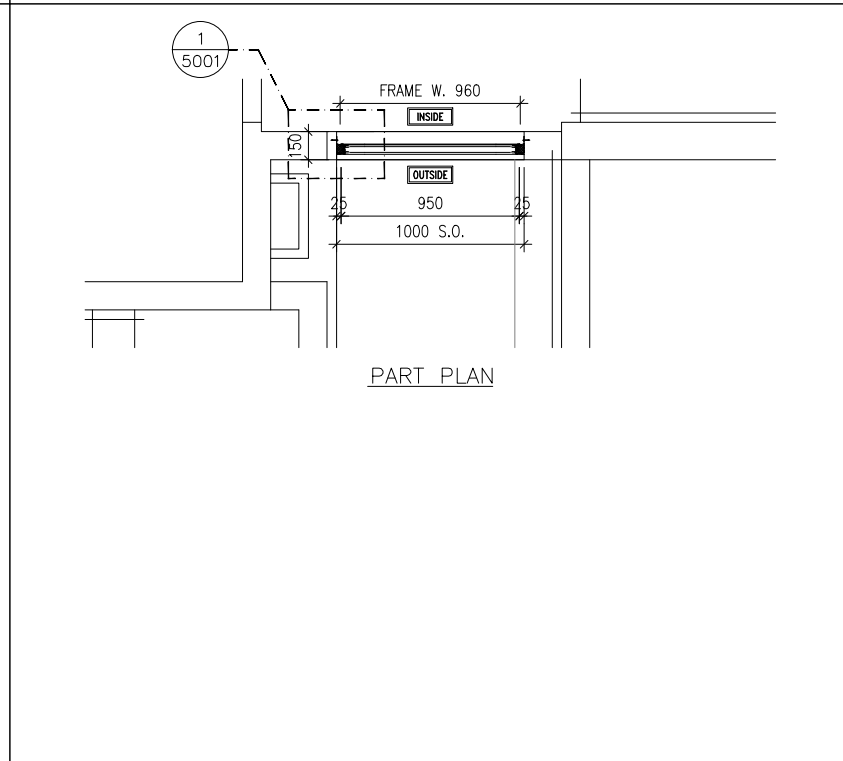


ELEVATION

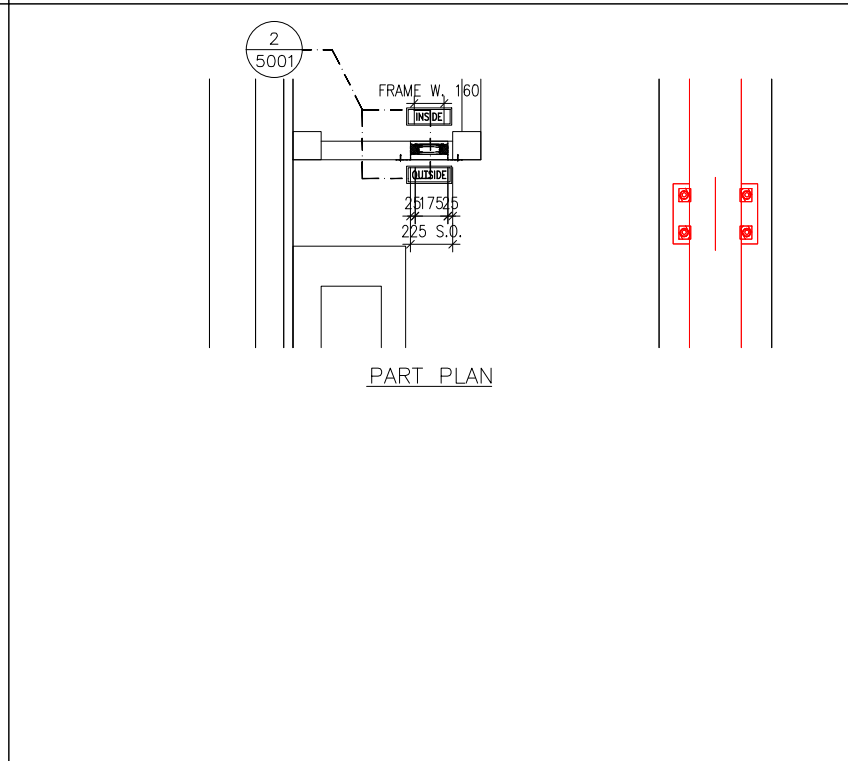
SECTION



PART PLAN



PART PLAN



PART PLAN

B.D. REF :

CLIENT : 信和置業有限公司 Sino Land Company Limited

ARCHITECT : ronald lu & partners Ronald Lu & Partners (HK) Ltd. 呂元祥建築師事務所 (香港) 有限公司

MAIN CONTRACTOR : Gammon

STRUCTURAL ENGINEER : AECOM

FACADE CONSULTANT : AECOM

NOTE :

- ALL DIMENSIONS ARE IN mm.
- ALL ELEVATIONS ARE VIEWED FROM OUTSIDE.
- ALL DIMENSIONS TO BE VERIFIED ON SITE BEFORE FABRICATION.

LEGEND :

x1 --- DETAIL MARK NO.
x001 --- REFER SHEET NO.

- F.F.L. --- FINISHED FLOOR LEVEL
- S.F.L. --- STRUCTURAL FLOOR LEVEL
- (R) --- REVERSED DETAIL

NO.	DATE	REVISED	BY
JOB NO. : J-858			
PROJECT : PROPOSED RESIDENTIAL DEVELOPMENT AT TKOTL 70RP, PHASE 11, LOHAS PARK TSEUNG KWAN O, N.T.			
TITLE : IN-SITU ALUM. LOUVER ALUM. LOUVER SCHEDULE FOR TOWER 2			

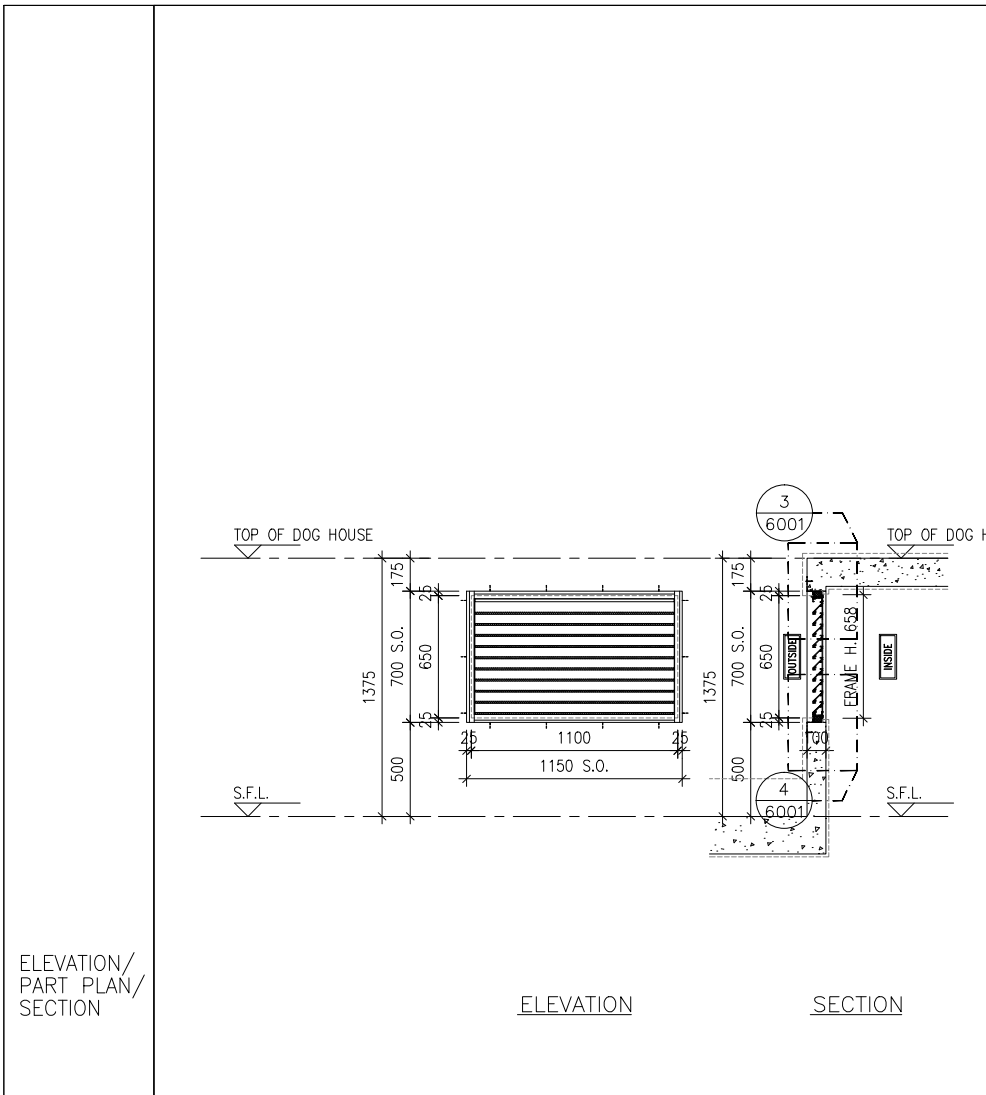
WINDOW MARK	GLAZING AREA:	Required =	Provided =	GLAZING AREA:	Required =	Provided =	GLAZING AREA:	Required =	Provided =
T2-LMR IL10		N/A	N/A		N/A	N/A		N/A	N/A
	OPENABLE AREA:	N/A	N/A		N/A	N/A		N/A	N/A
LOCATION	TOWER 2 LIFT MACHINE ROOM								
SECTION	50mm ALUM. SECTION WITH PVF2 COATING(SLIVER CHAMPAGNE COLOUR)								
GLAZING	N/A								
QUANTITY	1 NO.								
REMARKS	FREE AREA (%) : 21.02/36.16 = 0.5813 = 58.13%								
WINDOW MARK									
T2-RF IL11									
	OPENABLE AREA:								
LOCATION	TOWER 2 ROOF FLOOR								
SECTION	50mm ALUM. SECTION WITH PVF2 COATING(SLIVER CHAMPAGNE COLOUR)								
GLAZING	N/A								
QUANTITY	1 NO.								
REMARKS	FREE AREA (%) : 20.63/35.80 = 0.5763 = 57.63%								
WINDOW MARK									
T2-TR IL12									
	OPENABLE AREA:								
LOCATION	TOWER 2 TOP ROOF								
SECTION	50mm ALUM. SECTION WITH PVF2 COATING(SLIVER CHAMPAGNE COLOUR)								
GLAZING	N/A								
QUANTITY	1 NOS.								
REMARKS	FREE AREA (%) : 19.34/34.60 = 0.5590 = 55.90%								

DATE : 04-OCT-21 SCALE : 1:40

DRAWN BY : CHECKED BY :

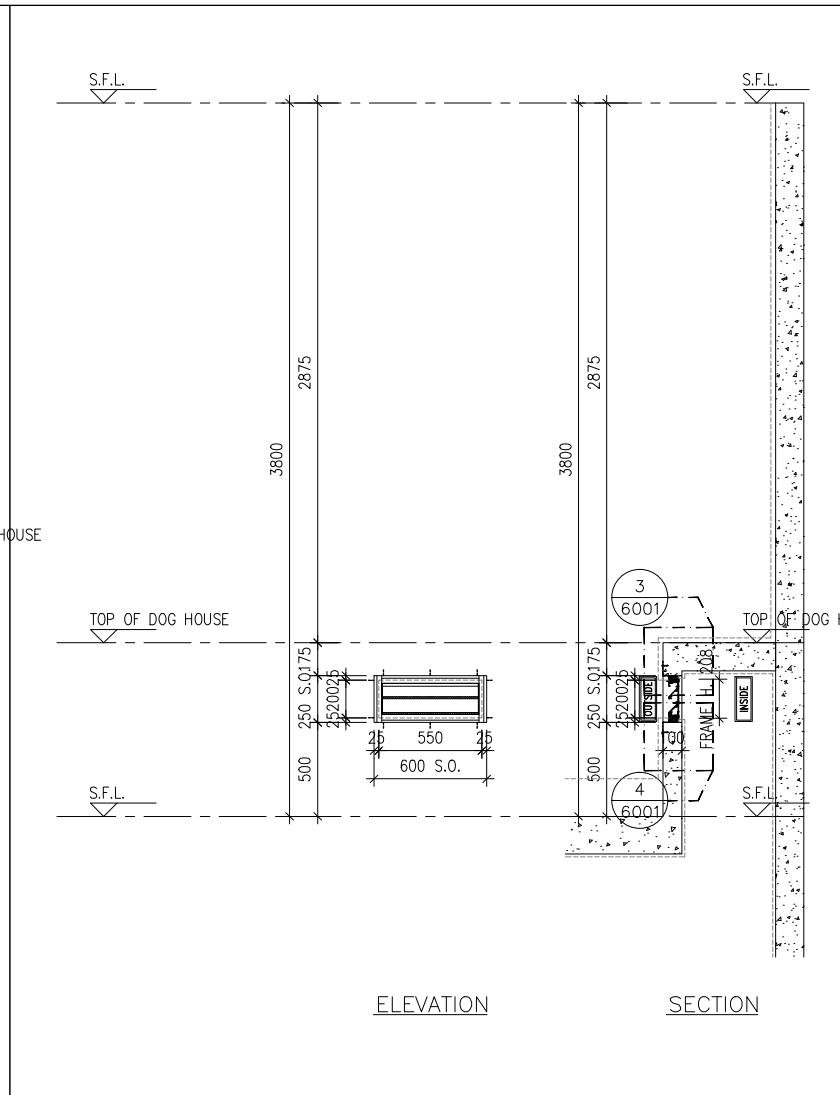
美特鋁質有限公司
MIDI ALUMINIUM FABRICATOR LTD.
Units 6-8, Sunray Industrial Centre, 1/F
610 Cha Kwo Ling Road, Kowloon
Tel:23489211-4 Fax:(852)2727666

DWG NO. : J858-IL-2206 REV. : -



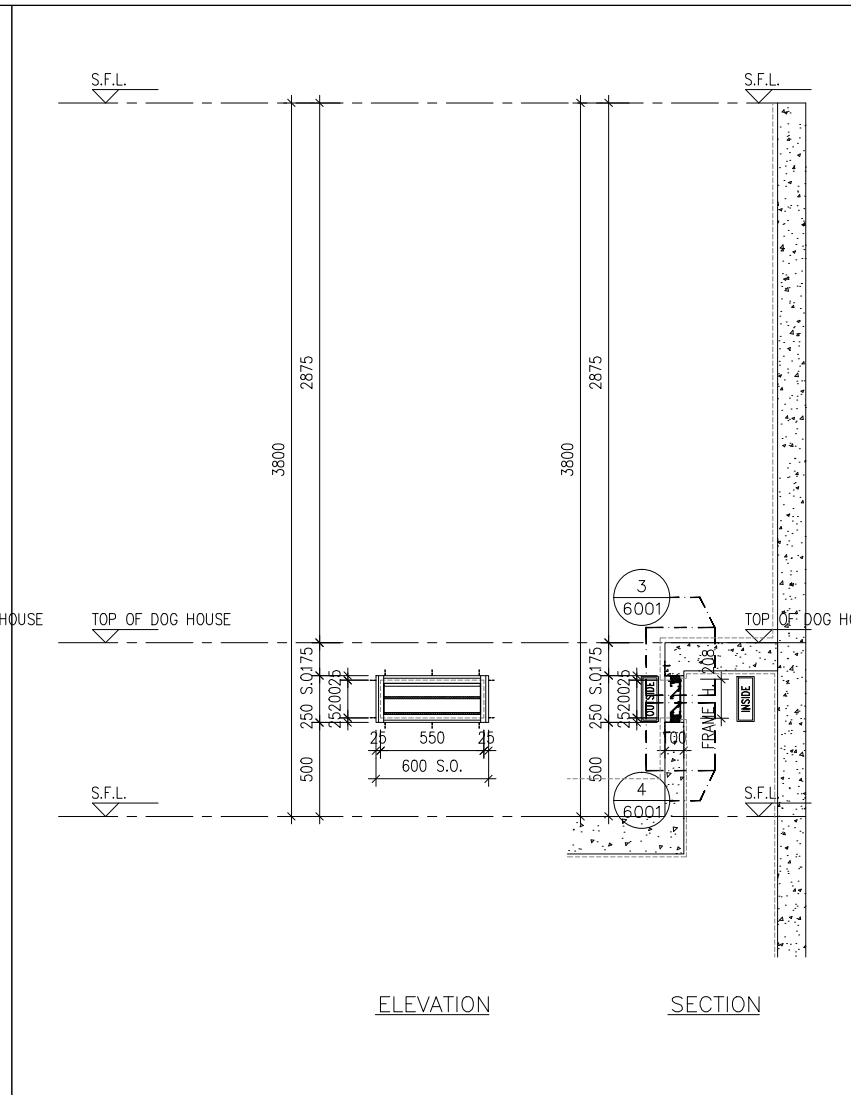
ELEVATION

SECTION



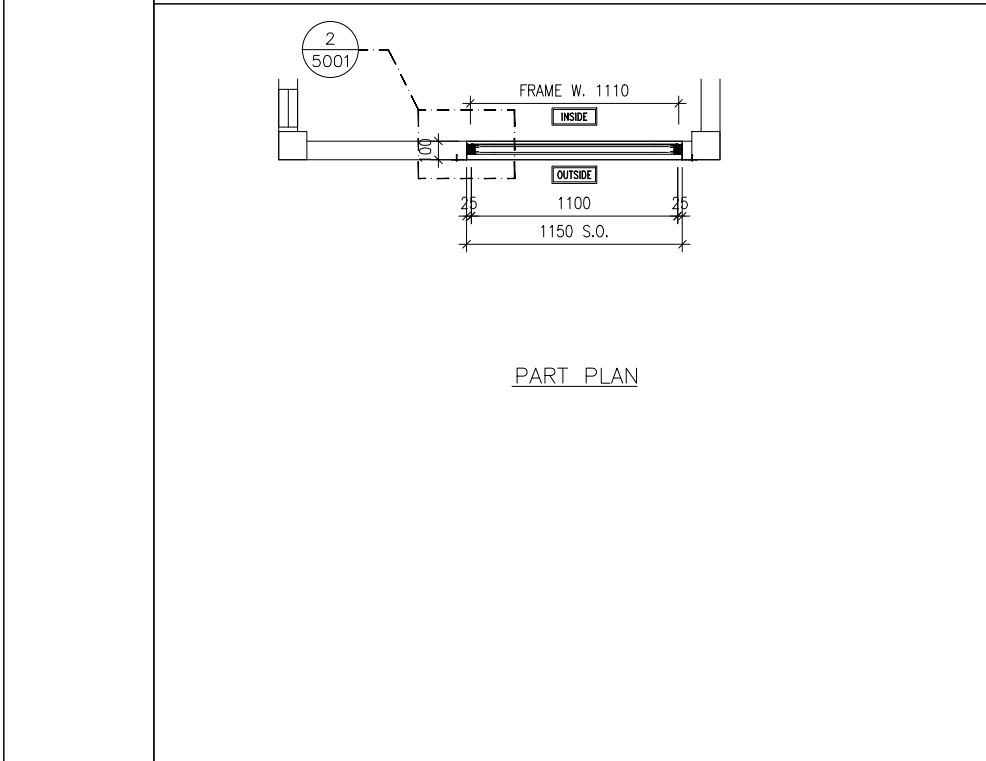
ELEVATION

SECTION

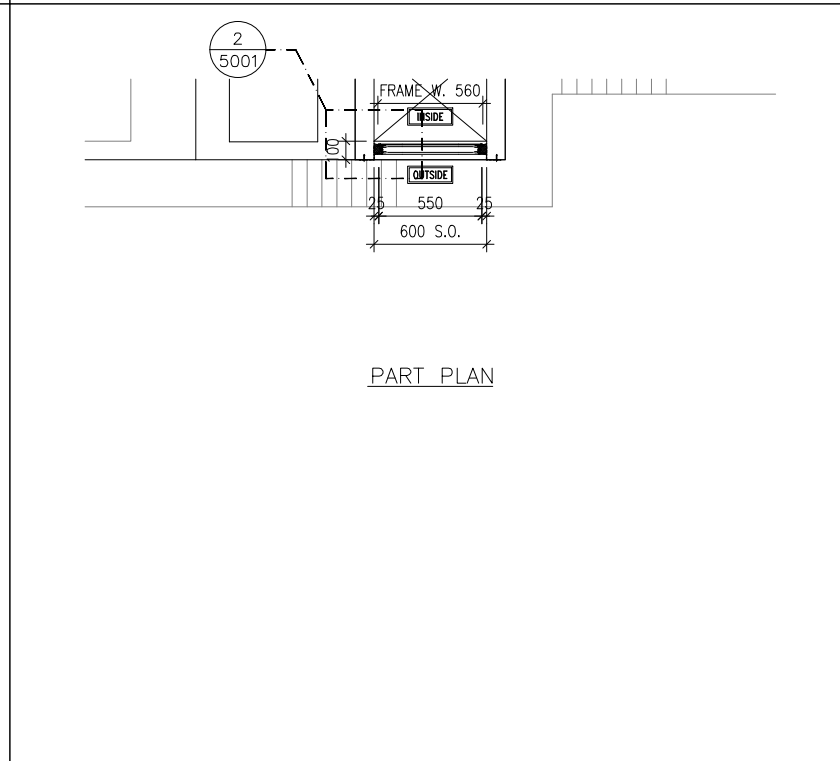


ELEVATION

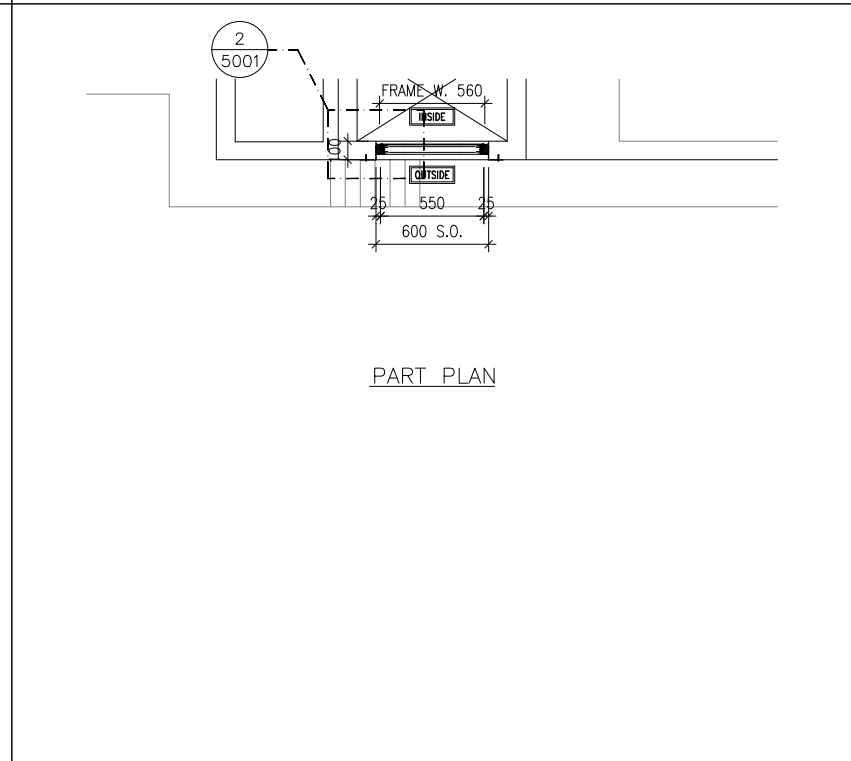
SECTION



PART PLAN



PART PLAN



PART PLAN

B.D. REF :

CLIENT :
 信和置業有限公司
 Sino Land Company Limited

ARCHITECT :
 ronald lu & partners
 Architects, Planners, Interior Designers
 Ronald Lu & Partners (HK) Ltd.
 呂元祥建築師事務所 (香港) 有限公司

MAIN CONTRACTOR :
 Gammon

STRUCTURAL ENGINEER :
 AECOM

FAÇADE CONSULTANT:
 AECOM

NOTE :
 1. ALL DIMENSIONS ARE IN mm.
 2. ALL ELEVATIONS ARE VIEWED FROM OUTSIDE.
 3. ALL DIMENSIONS TO BE VERIFIED ON SITE BEFORE FABRICATION.

LEGEND :
 x1 ———— DETAIL MARK NO.
 x001 ——— REFER SHEET NO.

1. F.F.L. — FINISHED FLOOR LEVEL
 2. S.F.L. — STRUCTURAL FLOOR LEVEL
 3. (R) — REVERSED DETAIL

NO.	DATE	REVISED	BY
JOB NO. : J-858			
PROJECT : PROPOSED RESIDENTIAL DEVELOPMENT AT TKOTL 70RP, PHASE 11, LOHAS PARK TSEUNG KWAN O, N.T.			
TITLE : IN-SITU ALUM. LOUVER ALUM. LOUVER SCHEDULE FOR TOWER 2			
DATE : 04-OCT-21		SCALE : 1:40	
DRAWN BY :		CHECKED BY :	
美特鋁質有限公司 MIDI ALUMINIUM FABRICATOR LTD. Units 6-8, Sunray Industrial Centre, 1/F 610 Cha Kwo Ling Road, Kowloon Tel:23489211-4 Fax:(852)2727666			
DWG NO. : J858-IL-2207		REV. : -	

GLAZING AREA:	Required = N/A	Provided = N/A
OPENABLE AREA:	Required = N/A	Provided = N/A

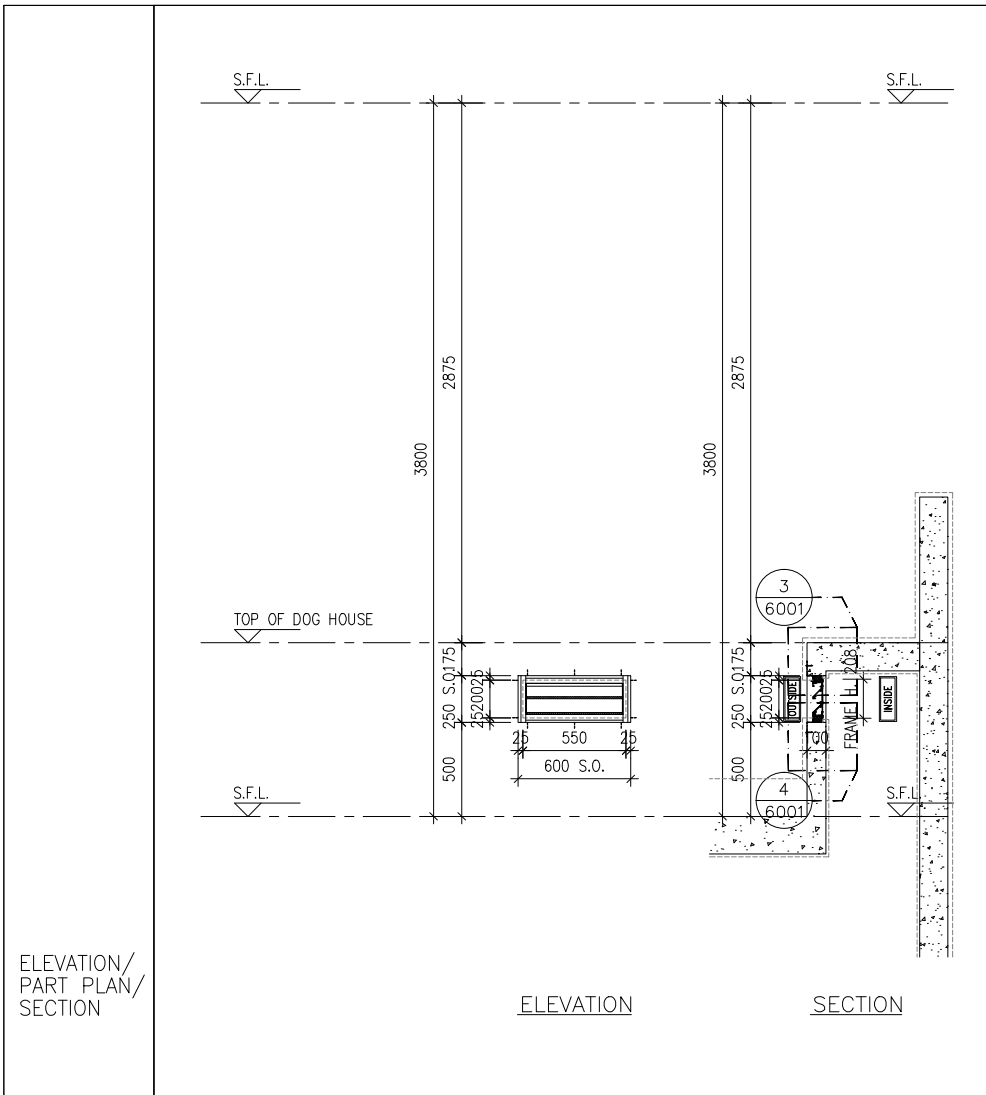
GLAZING AREA:	Required = N/A	Provided = N/A
OPENABLE AREA:	Required = N/A	Provided = N/A

GLAZING AREA:	Required = N/A	Provided = N/A
OPENABLE AREA:	Required = N/A	Provided = N/A

WINDOW MARK	
LOCATION	TOWER 2 TOP ROOF
SECTION	50mm ALUM. SECTION WITH PVF2 COATING(SLIVER CHAMPAGNE COLOUR)
GLAZING	N/A
QUANTITY	1 NOS.
REMARKS	FREE AREA (%) : 19.34/34.60 = 0.5590 = 55.90%

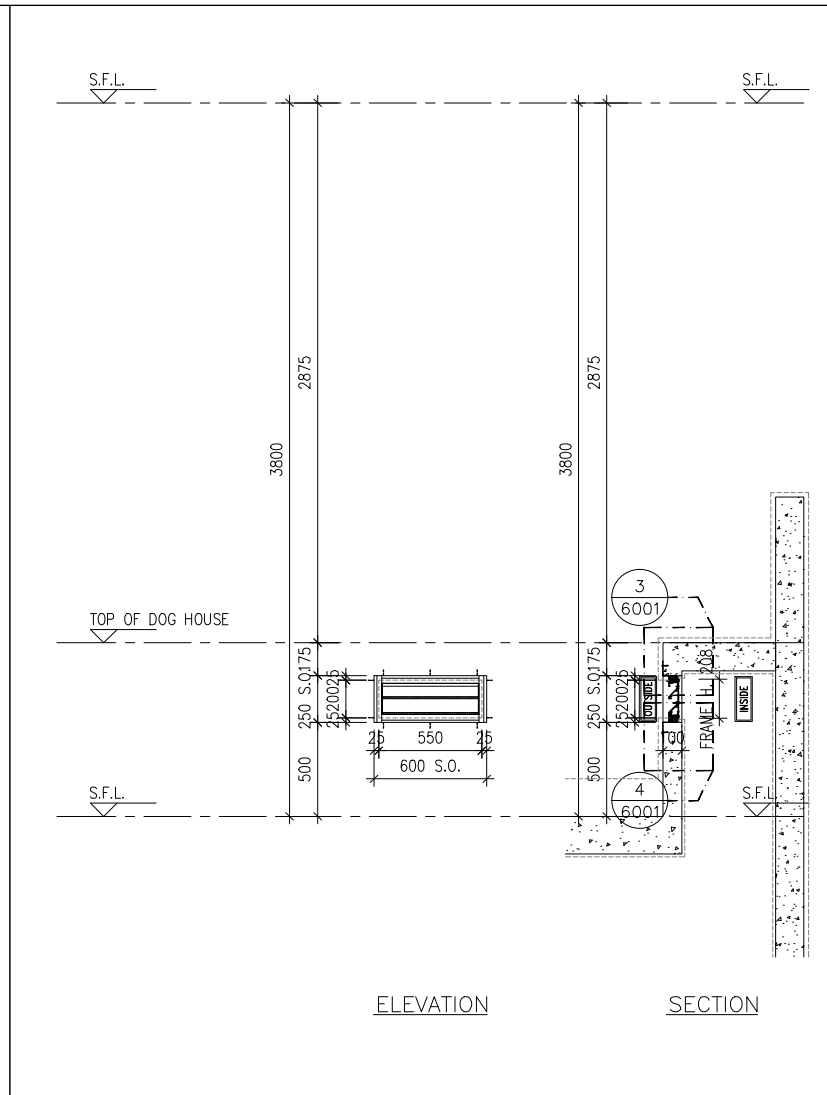
WINDOW MARK	
LOCATION	TOWER 2 ROOF FLOOR
SECTION	50mm ALUM. SECTION WITH PVF2 COATING(SLIVER CHAMPAGNE COLOUR)
GLAZING	N/A
QUANTITY	1 NOS.
REMARKS	FREE AREA (%) : 35.01/49.10 = 0.7130 = 71.30%

WINDOW MARK	
LOCATION	TOWER 2 ROOF FLOOR
SECTION	50mm ALUM. SECTION WITH PVF2 COATING(SLIVER CHAMPAGNE COLOUR)
GLAZING	N/A
QUANTITY	1 NOS.
REMARKS	FREE AREA (%) : 35.01/49.10 = 0.7130 = 71.30%



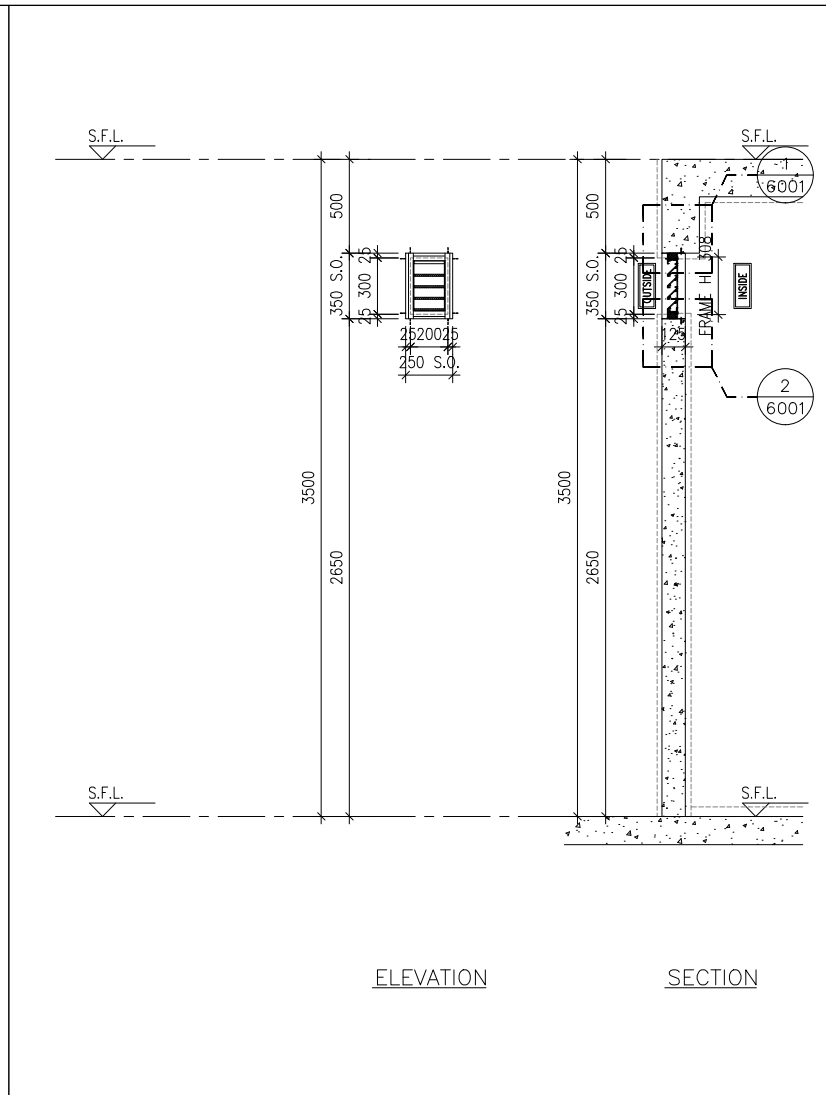
ELEVATION

SECTION



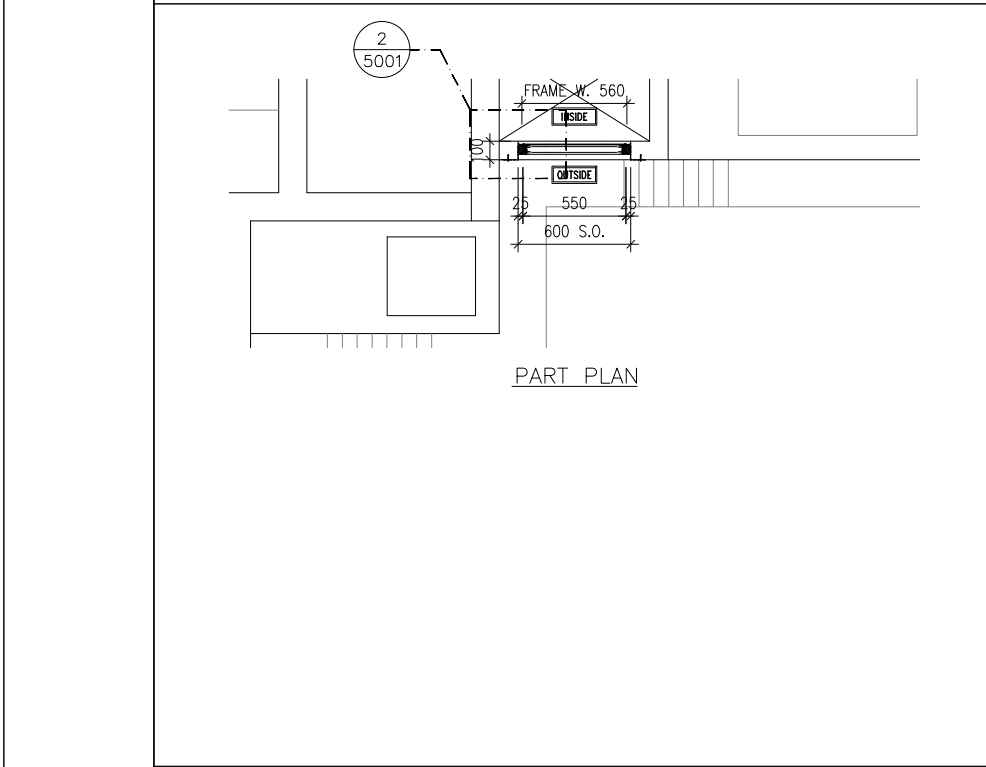
ELEVATION

SECTION

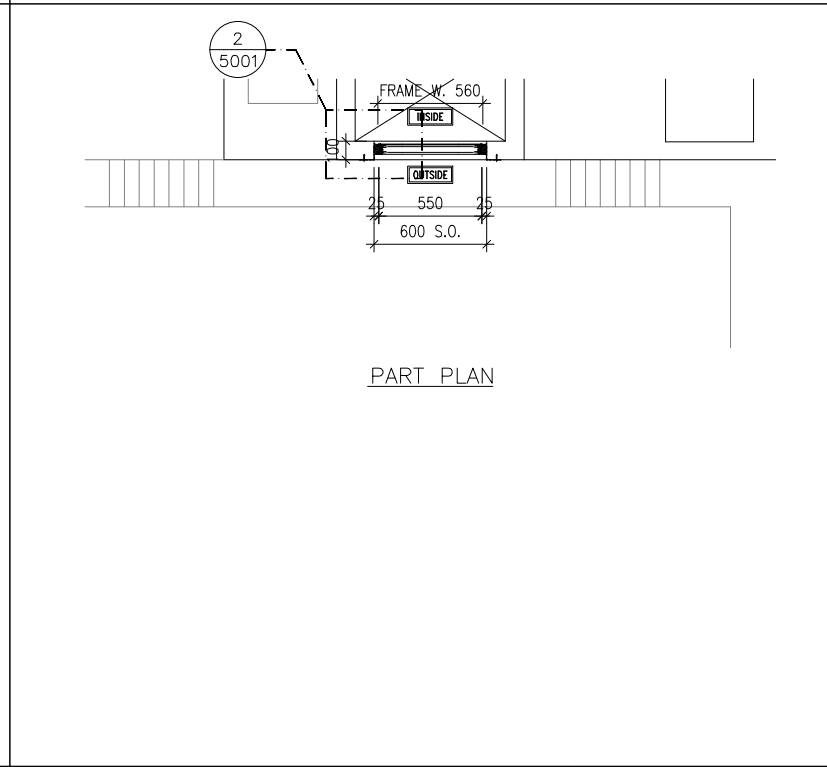


ELEVATION

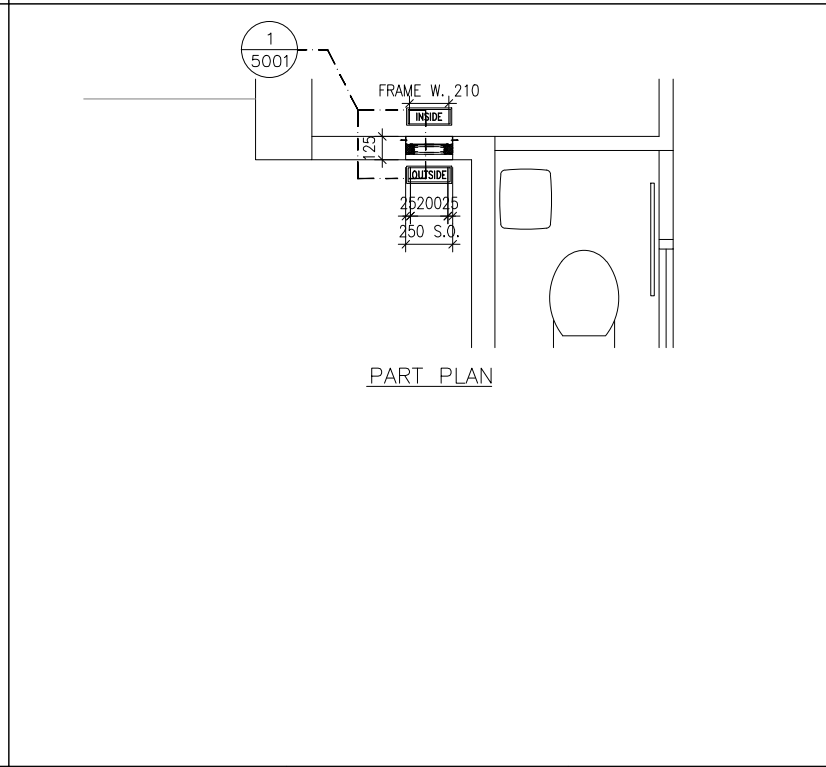
SECTION



PART PLAN



PART PLAN



PART PLAN

GLAZING AREA:	Required = N/A	Provided = N/A
OPENABLE AREA:	Required = N/A	Provided = N/A

GLAZING AREA:	Required = N/A	Provided = N/A
OPENABLE AREA:	Required = N/A	Provided = N/A

GLAZING AREA:	Required = N/A	Provided = N/A
OPENABLE AREA:	Required = N/A	Provided = N/A

WINDOW MARK	12-RF 1L16
LOCATION	TOWER 2 ROOF FLOOR
SECTION	50mm ALUM. SECTION WITH PVF2 COATING(SLIVER CHAMPAGNE COLOUR)
GLAZING	N/A
QUANTITY	1 NOS.
REMARKS	FREE AREA (%) : 35.01/49.10 = 0.7130 = 71.30%

WINDOW MARK	12-RF 1L17
LOCATION	TOWER 2 ROOF FLOOR
SECTION	50mm ALUM. SECTION WITH PVF2 COATING(SLIVER CHAMPAGNE COLOUR)
GLAZING	N/A
QUANTITY	1 NOS.
REMARKS	FREE AREA (%) : 35.01/49.10 = 0.7130 = 71.30%

WINDOW MARK	12-67 1L18
LOCATION	TOWER 2 67/F(2A-FLAT A)
SECTION	50mm ALUM. SECTION WITH PVF2 COATING(SLIVER CHAMPAGNE COLOUR)
GLAZING	N/A
QUANTITY	1 NOS.
REMARKS	FREE AREA (%) : 54.93/71.80 = 0.7650 = 76.50%

B.D. REF :

CLIENT :
信和置業有限公司
Sino Land Company Limited

ARCHITECT :
ronald lu & partners
Ronald Lu & Partners (HK) Ltd.
呂元祥建築師事務所 (香港) 有限公司

MAIN CONTRACTOR :
Gammon

STRUCTURAL ENGINEER :
AECOM

FACADE CONSULTANT:
AECOM

NOTE :
1. ALL DIMENSIONS ARE IN mm.
2. ALL ELEVATIONS ARE VIEWED FROM OUTSIDE.
3. ALL DIMENSIONS TO BE VERIFIED ON SITE BEFORE FABRICATION.

LEGEND :
x1 - DETAIL MARK NO.
x001 - REFER SHEET NO.
1. F.F.L. -- FINISHED FLOOR LEVEL
2. S.F.L. -- STRUCTURAL FLOOR LEVEL
3. (R) -- REVERSED DETAIL

NO.	DATE	REVISED	BY
-----	------	---------	----

JOB NO. : J-858
PROJECT : PROPOSED RESIDENTIAL DEVELOPMENT AT TKOTL 70RP, PHASE 11, LOHAS PARK TSEUNG KWAN O, N.T.

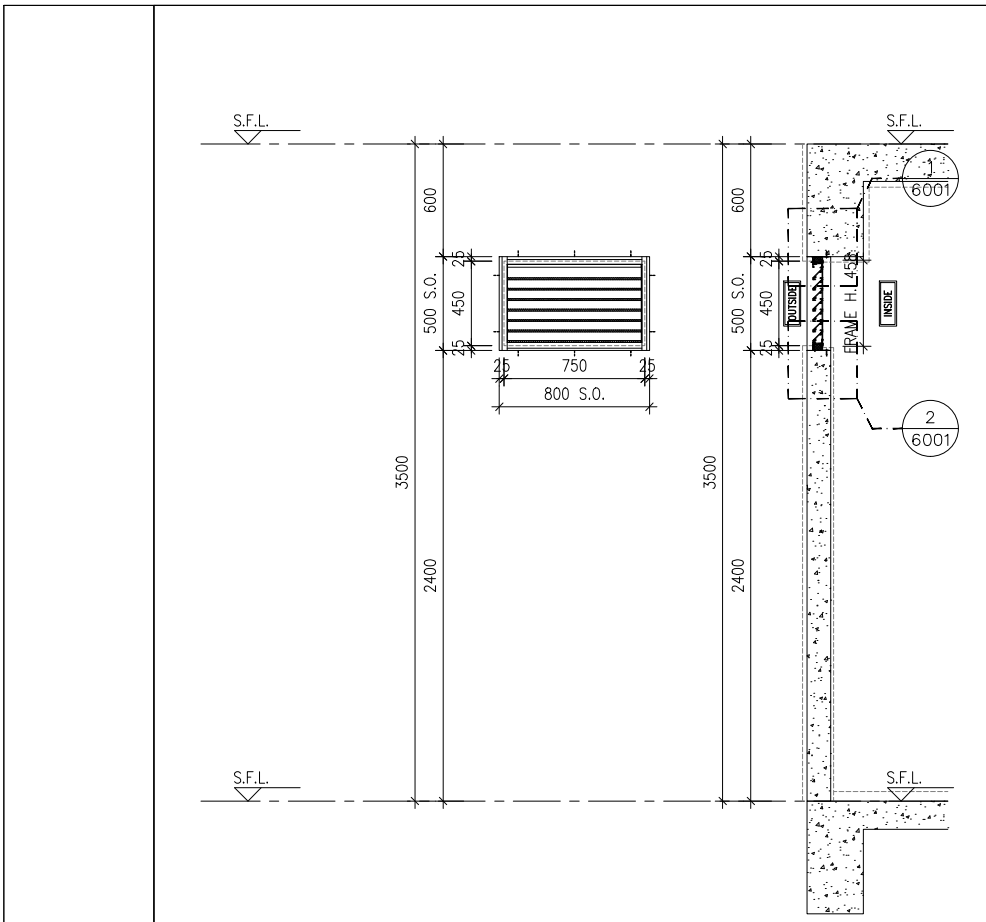
TITLE : IN-SITU ALUM. LOUVER ALUM. LOUVER SCHEDULE FOR TOWER 2

DATE : 04-OCT-21 SCALE : 1:40

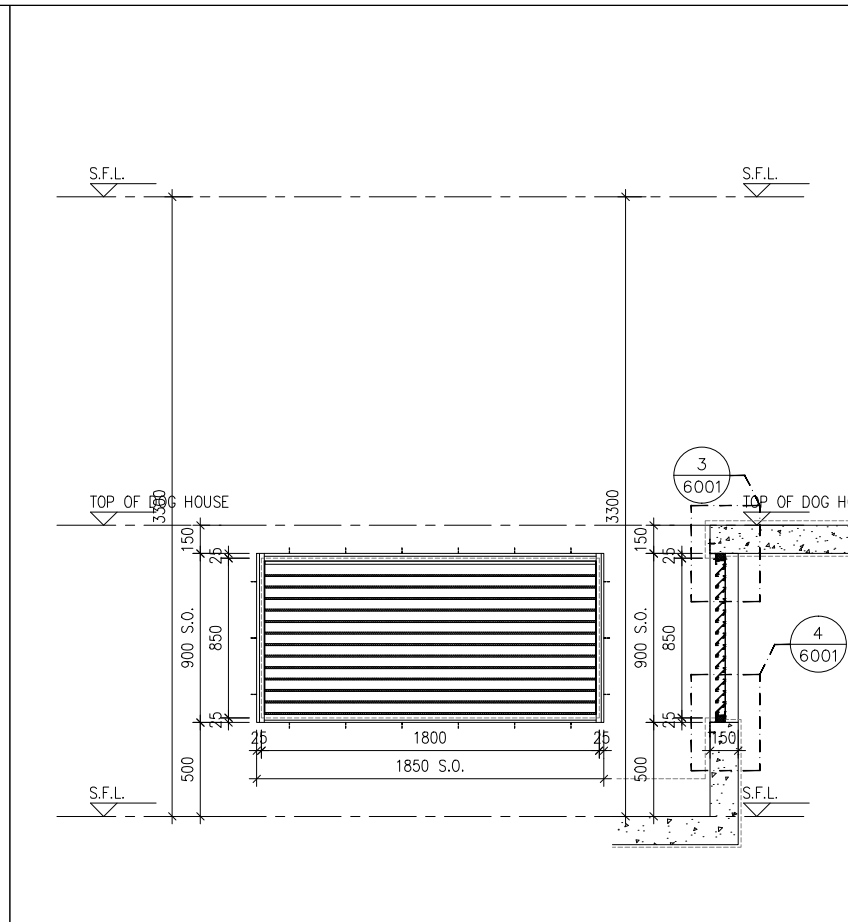
DRAWN BY : CHECKED BY :

美特鋁質有限公司
MIDI ALUMINIUM FABRICATOR LTD.
Units 6-8, Sunray Industrial Centre, 1/F
610 Cha Kwo Ling Road, Kowloon
Tel:23489211-4 Fax:(852)27272666

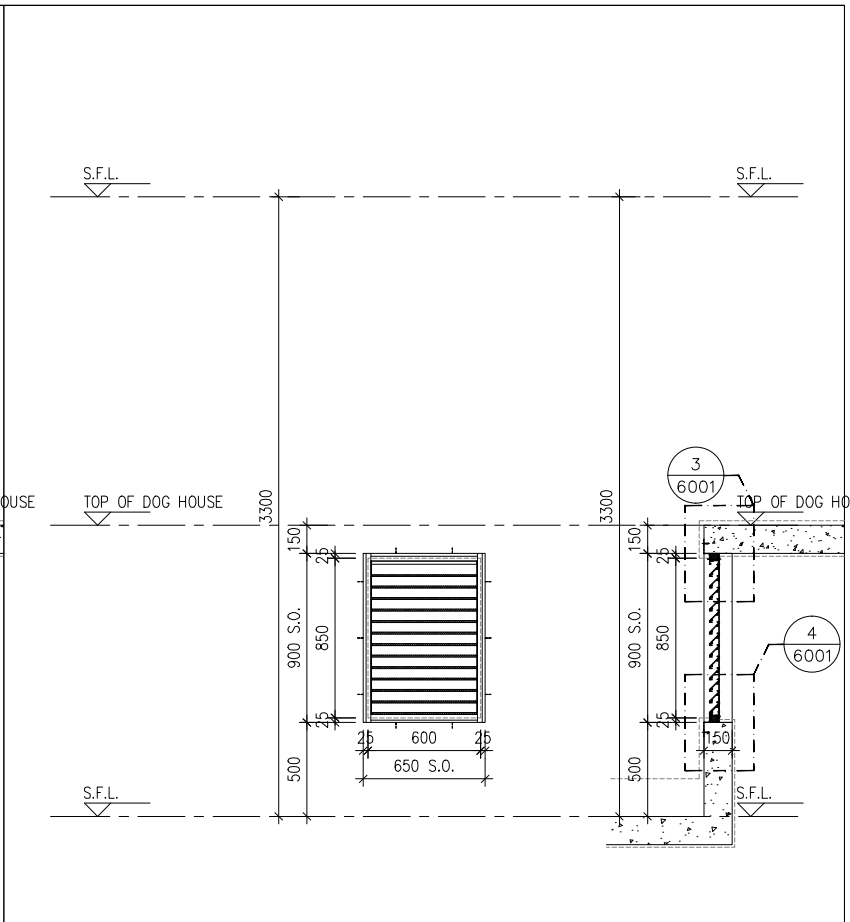
DWG NO. : J858-IL-2208 REV. : -



ELEVATION SECTION

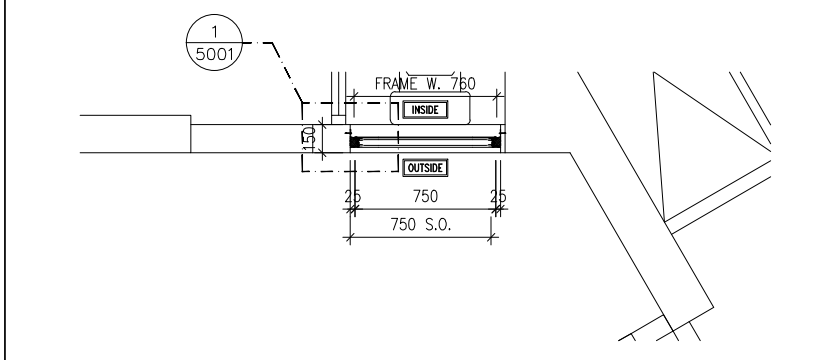


ELEVATION SECTION

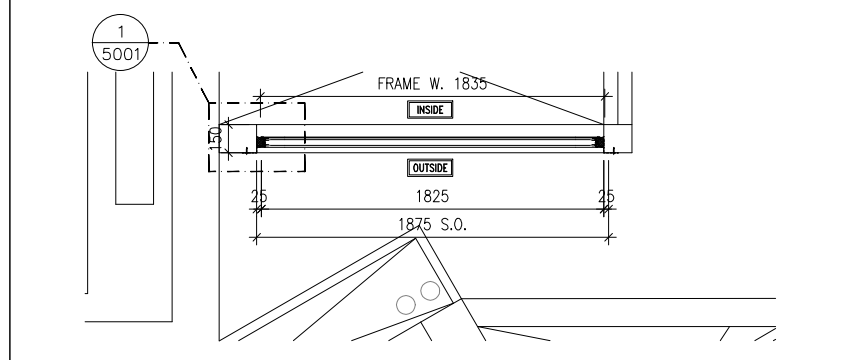


ELEVATION SECTION

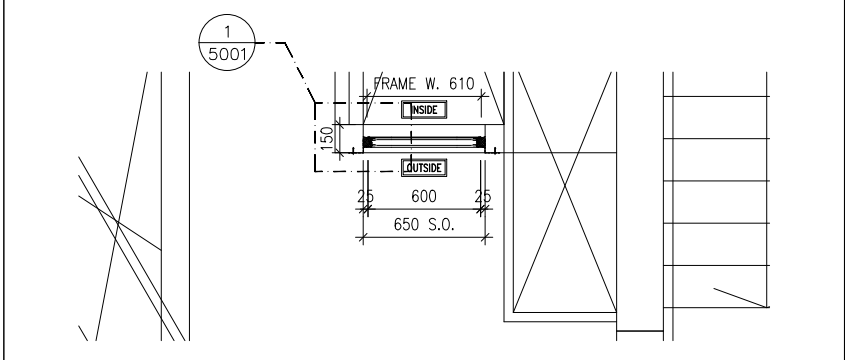
ELEVATION/
PART PLAN/
SECTION



PART PLAN



PART PLAN



PART PLAN

B.D. REF :

CLIENT : 信和置業有限公司 Sino Land Company Limited

ARCHITECT : ronald lu & partners Ronald Lu & Partners (HK) Ltd. 呂元祥建築師事務所(香港)有限公司

MAIN CONTRACTOR : Gammon

STRUCTURAL ENGINEER : AECOM

FACADE CONSULTANT: AECOM

NOTE :

- ALL DIMENSIONS ARE IN mm.
- ALL ELEVATIONS ARE VIEWED FROM OUTSIDE.
- ALL DIMENSIONS TO BE VERIFIED ON SITE BEFORE FABRICATION.

LEGEND :

① -- DETAIL MARK NO.
①/5001 -- REFER SHEET NO.

- F.F.L. -- FINISHED FLOOR LEVEL
- S.F.L. -- STRUCTURAL FLOOR LEVEL
- ⊗ -- REVERSED DETAIL

NO.	DATE	REVISED	BY
-----	------	---------	----

JOB NO. : J-858

PROJECT : PROPOSED RESIDENTIAL DEVELOPMENT AT TKOTL 70RP, PHASE 11, LOHAS PARK TSEUNG KWAN O, N.T.

TITLE : IN-SITU ALUM. LOUVER ALUM. LOUVER SCHEDULE FOR TOWER 2

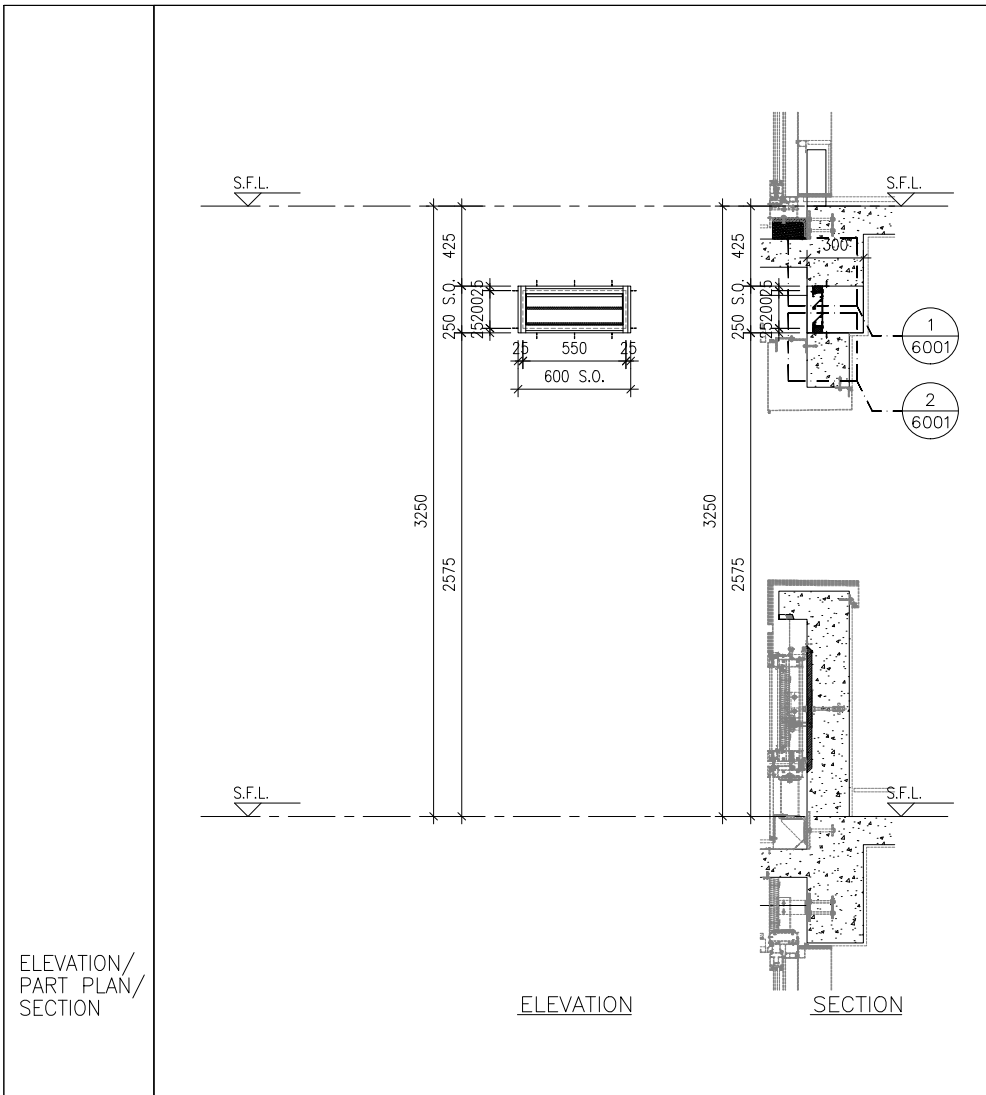
DATE : 04-OCT-21 SCALE : 1:40

DRAWN BY : CHECKED BY :

美特鋁質有限公司
MIDI ALUMINIUM FABRICATOR LTD.
Units 6-8, Sunray Industrial Centre, 1/F
610 Cha Kwo Ling Road, Kowloon
Tel:23489211-4 Fax:(852)27727666

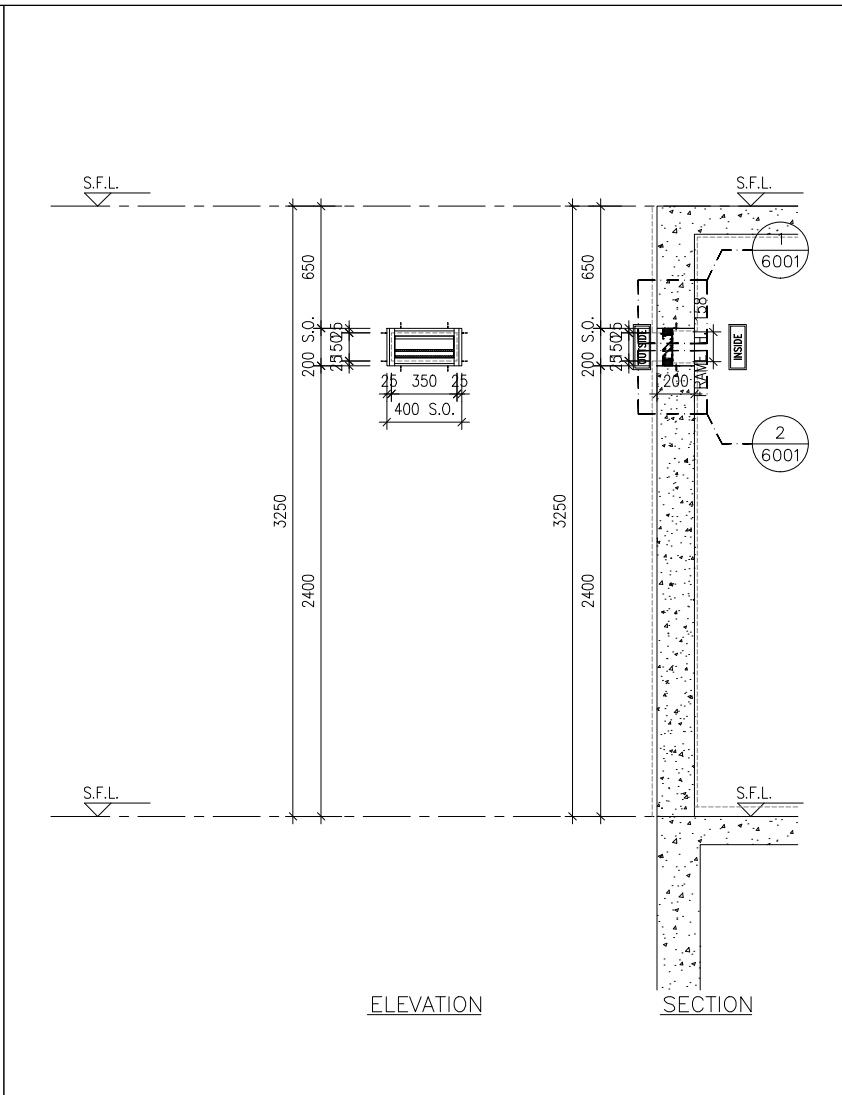
DWG NO. : J858-IL-2209 REV. : -

WINDOW MARK	GLAZING AREA:	Required =	Provided =	GLAZING AREA:	Required =	Provided =	GLAZING AREA:	Required =	Provided =
12-67/IL19		N/A	N/A		N/A	N/A		N/A	N/A
	OPENABLE AREA:	N/A	N/A		N/A	N/A		N/A	N/A
12-09/IL20		N/A	N/A		N/A	N/A		N/A	N/A
12-09/IL21		N/A	N/A		N/A	N/A		N/A	N/A
LOCATION	TOWER 2 67/F(2A-FLAT F)								
SECTION	50mm ALUM. SECTION WITH PVF2 COATING(SLIVER CHAMPAGNE COLOUR)								
GLAZING	N/A								
QUANTITY	1 NOS.								
REMARKS	FREE AREA (%) : 17.05/32.47 = 0.5251 = 52.51%								
LOCATION	TOWER 2 9/F(OPEN PIPE WELL)								
SECTION	50mm ALUM. SECTION WITH PVF2 COATING(SLIVER CHAMPAGNE COLOUR)								
GLAZING	N/A								
QUANTITY	1 NOS.								
REMARKS	FREE AREA (%) : 20.49/35.67 = 0.5744 = 57.44%								
LOCATION	TOWER 2 9/F(OPEN PIPE WELL)								
SECTION	50mm ALUM. SECTION WITH PVF2 COATING(SLIVER CHAMPAGNE COLOUR)								
GLAZING	N/A								
QUANTITY	1 NOS.								
REMARKS	FREE AREA (%) : 20.49/35.67 = 0.5744 = 57.44%								



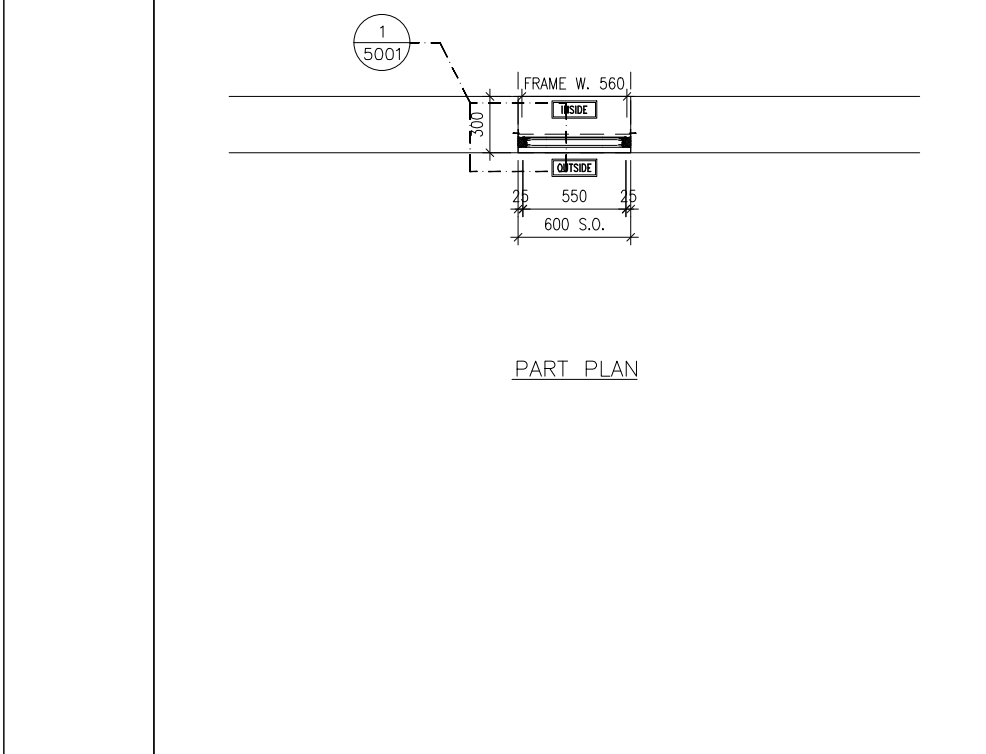
ELEVATION

SECTION

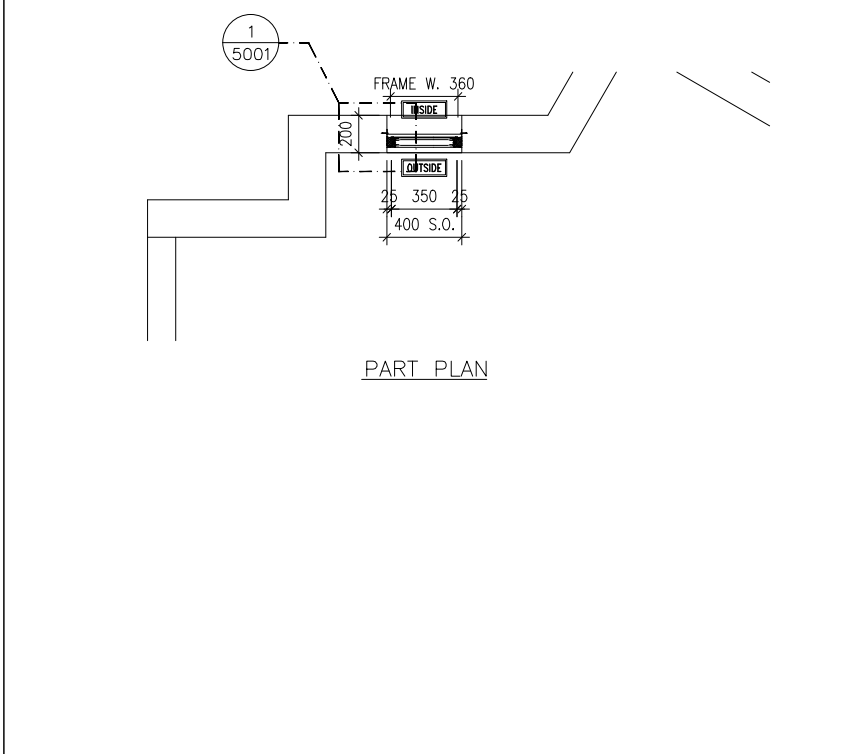


ELEVATION

SECTION



PART PLAN



PART PLAN

GLAZING AREA:	Required = N/A	Provided = N/A
OPENABLE AREA:	Required = N/A	Provided = N/A

GLAZING AREA:	Required = N/A	Provided = N/A
OPENABLE AREA:	Required = N/A	Provided = N/A

WINDOW MARK	
LOCATION	TOWER 3 11/F(REFUGE FLOOR)
SECTION	50mm ALUM. SECTION WITH PVF2 COATING(SLIVER CHAMPAGNE COLOUR)
GLAZING	N/A
QUANTITY	6 NOS.
REMARKS	FREE AREA (%) : 35.01/49.10 = 0.7130 = 71.30%

WINDOW MARK	
LOCATION	TOWER 3 11/F(REFUGE FLOOR)
SECTION	50mm ALUM. SECTION WITH PVF2 COATING(SLIVER CHAMPAGNE COLOUR)
GLAZING	N/A
QUANTITY	1 NOS.
REMARKS	FREE AREA (%) : 3.58/19.96 = 0.1794 = 17.94%

B.D. REF :

CLIENT :
 信和置業有限公司
 Sino Land Company Limited

ARCHITECT :
 ronald lu & partners
 Architects, Planners, Interior Designers
 Ronald Lu & Partners (HK) Ltd.
 呂元祥建築師事務所 (香港) 有限公司

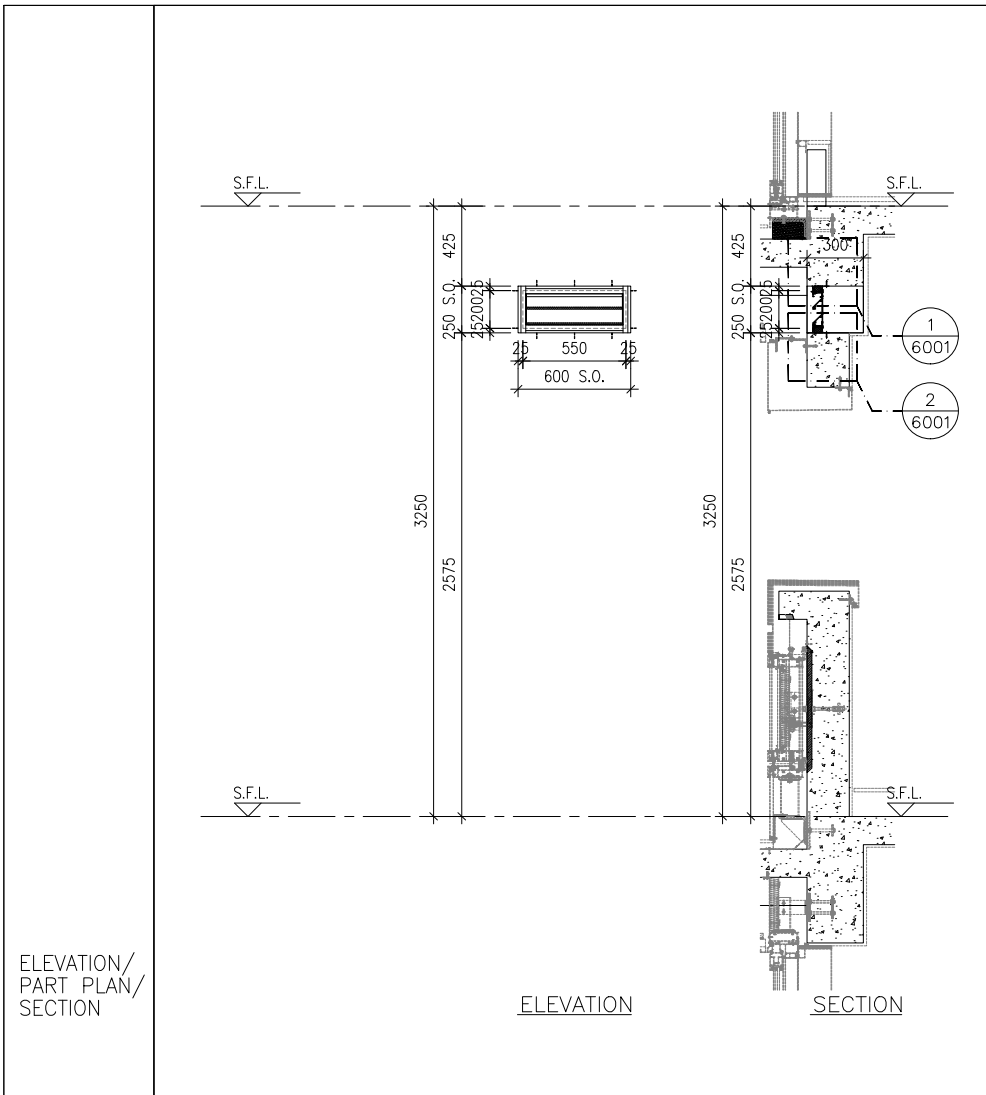
MAIN CONTRACTOR :
 Gammon

STRUCTURAL ENGINEER :
 AECOM

FACADE CONSULTANT:
 AECOM

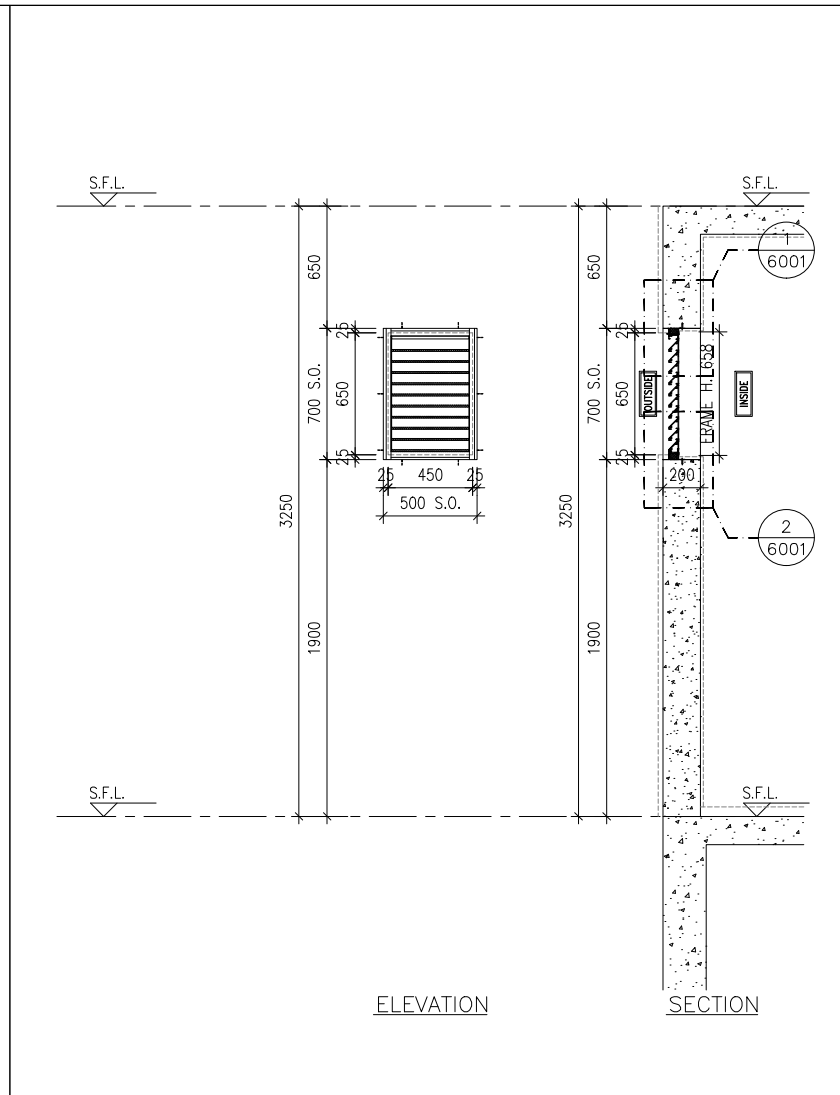
- NOTE :
1. ALL DIMENSIONS ARE IN mm.
 2. ALL ELEVATIONS ARE VIEWED FROM OUTSIDE.
 3. ALL DIMENSIONS TO BE VERIFIED ON SITE BEFORE FABRICATION.
- LEGEND :
- DETAIL MARK NO.
 — REFER SHEET NO.
1. F.F.L. — FINISHED FLOOR LEVEL
 2. S.F.L. — STRUCTURAL FLOOR LEVEL
 3. — REVERSED DETAIL

NO.	DATE	REVISED	BY
JOB NO. : J-858			
PROJECT : PROPOSED RESIDENTIAL DEVELOPMENT AT TKOTL 70RP, PHASE 11, LOHAS PARK TSEUNG KWAN O, N.T.			
TITLE : IN-SITU ALUM. LOUVER ALUM. LOUVER SCHEDULE FOR TOWER 3			
DATE : 04-OCT-21	SCALE : 1:40		
DRAWN BY :	CHECKED BY :		
美特鋁質有限公司 MIDI ALUMINIUM FABRICATOR LTD. Units 6-8, Sunray Industrial Centre, 1/F 610 Cha Kwo Ling Road, Kowloon Tel:23489211-4 Fax:(852)27727666			
DWG NO. : J858-IL-2301	REV. : -		



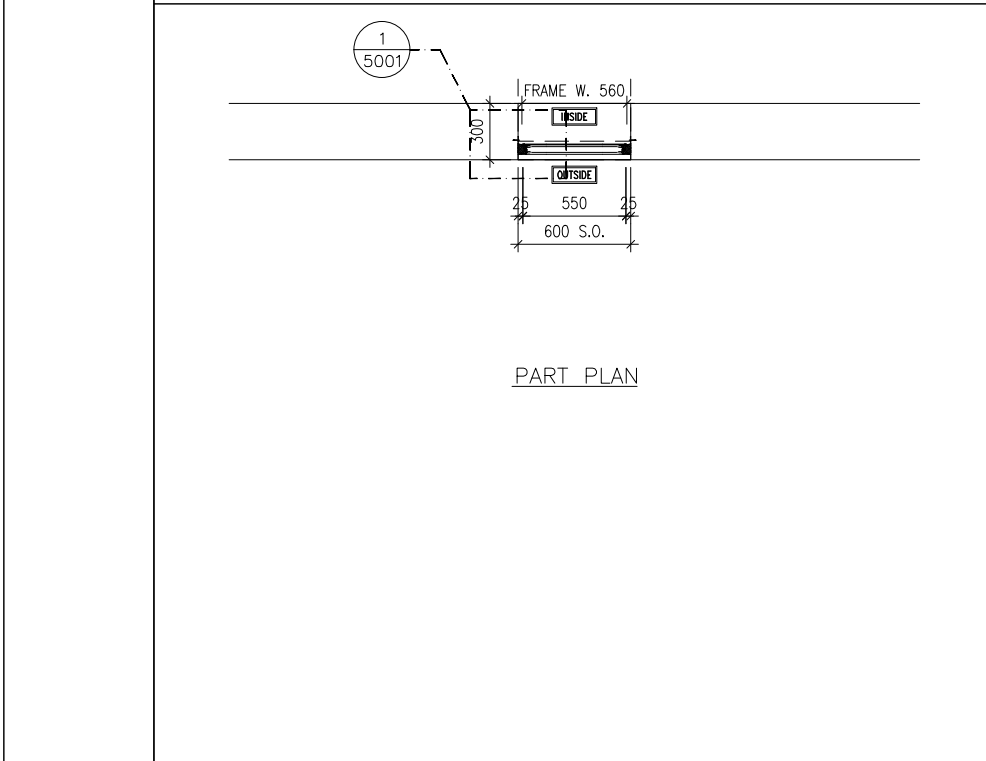
ELEVATION

SECTION

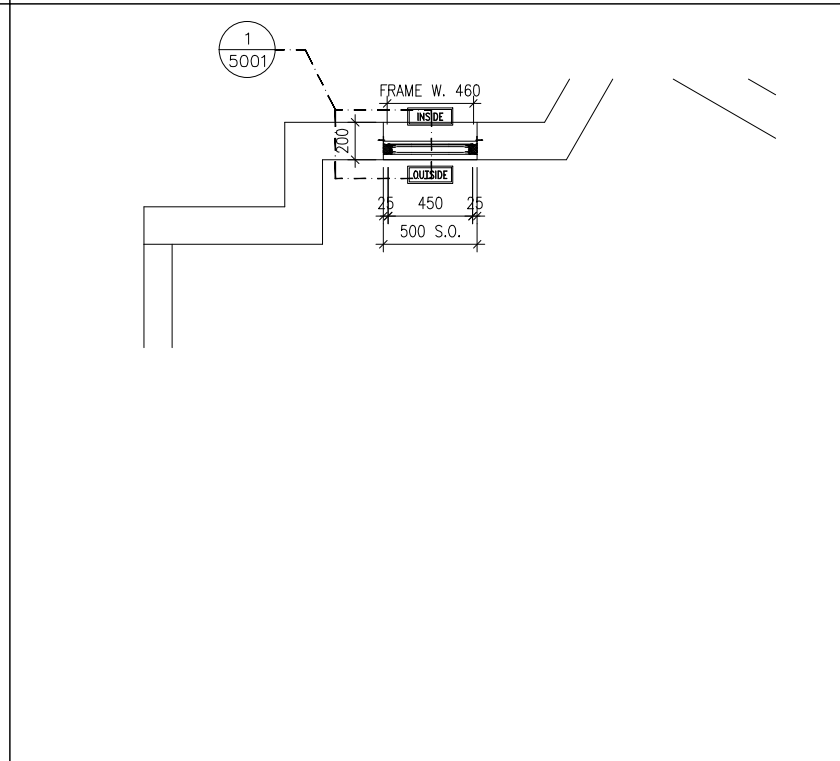


ELEVATION

SECTION



PART PLAN



GLAZING AREA:	Required = N/A	Provided = N/A
OPENABLE AREA:	Required = N/A	Provided = N/A
WINDOW MARK		
LOCATION	TOWER 3 40/F(REFUGE FLOOR)	
SECTION	50mm ALUM. SECTION WITH PVF2 COATING(SLIVER CHAMPAGNE COLOUR)	
GLAZING	N/A	
QUANTITY	6 NOS.	
REMARKS	FREE AREA (%) : 35.01/49.10 = 0.7130 = 71.30%	

GLAZING AREA:	Required = N/A	Provided = N/A
OPENABLE AREA:	Required = N/A	Provided = N/A
WINDOW MARK		
LOCATION	TOWER 3 11/F(REFUGE FLOOR)	
SECTION	50mm ALUM. SECTION WITH PVF2 COATING(SLIVER CHAMPAGNE COLOUR)	
GLAZING	N/A	
QUANTITY	1 NOS.	
REMARKS	FREE AREA (%) : 19.34/34.60 = 0.5590 = 55.90%	

B.D. REF :

CLIENT :
 信和置業有限公司
 Sino Land Company Limited

ARCHITECT :
 ronald lu & partners
 Architects, Planners, Interior Designers
 Ronald Lu & Partners (HK) Ltd.
 呂元祥建築師事務所 (香港) 有限公司

MAIN CONTRACTOR :
 Gammon

STRUCTURAL ENGINEER :
 AECOM

FACADE CONSULTANT:
 AECOM

NOTE :
 1. ALL DIMENSIONS ARE IN mm.
 2. ALL ELEVATIONS ARE VIEWED FROM OUTSIDE.
 3. ALL DIMENSIONS TO BE VERIFIED ON SITE BEFORE FABRICATION.

LEGEND :

 1. F.F.L. -- FINISHED FLOOR LEVEL
 2. S.F.L. -- STRUCTURAL FLOOR LEVEL
 3. (R) -- REVERSED DETAIL

NO.	DATE	REVISED	BY
-----	------	---------	----

JOB NO. : J-858
 PROJECT : PROPOSED RESIDENTIAL DEVELOPMENT AT TKOTL 70RP, PHASE 11, LOHAS PARK TSEUNG KWAN O, N.T.

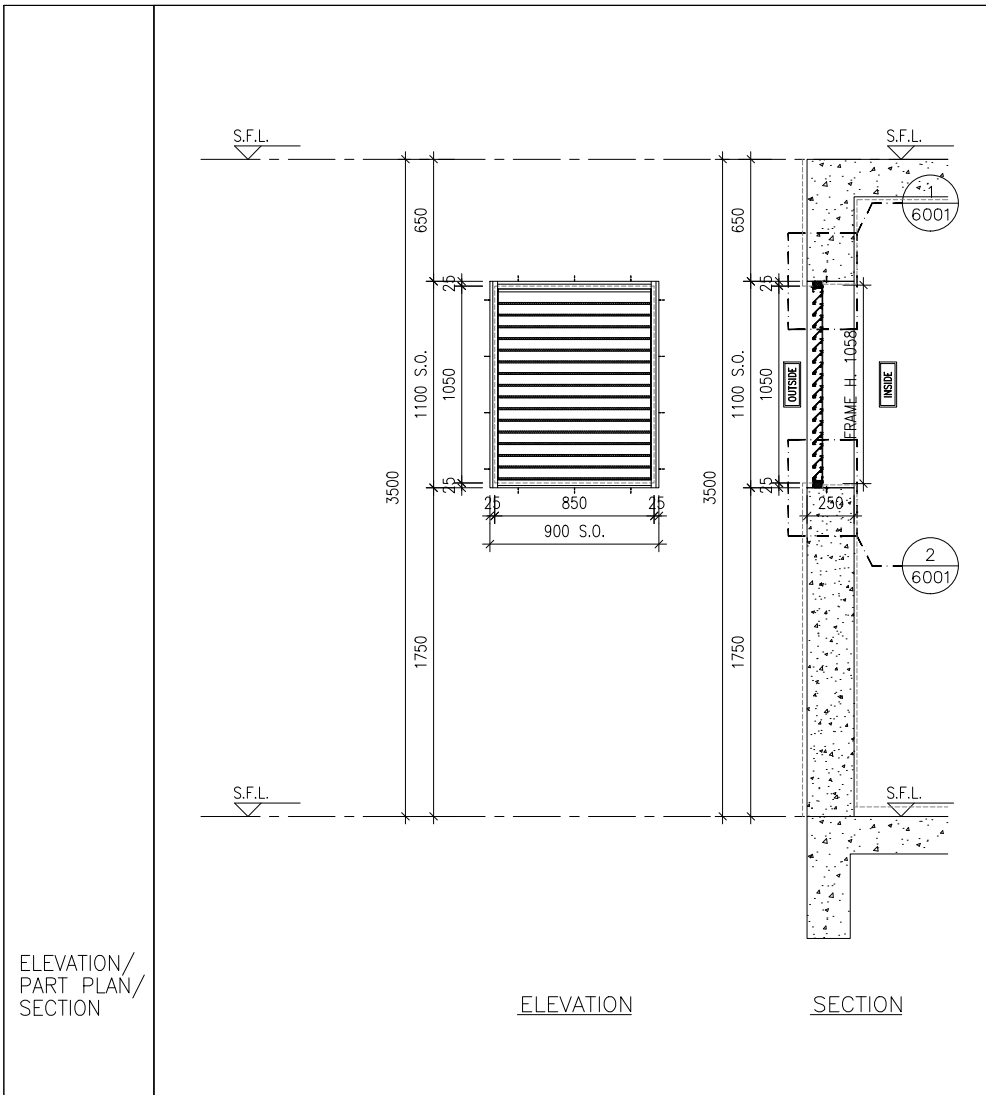
TITLE :
 IN-SITU ALUM. LOUVER ALUM. LOUVER SCHEDULE FOR TOWER 3

DATE : 04-OCT-21 SCALE : 1:40

DRAWN BY : CHECKED BY :

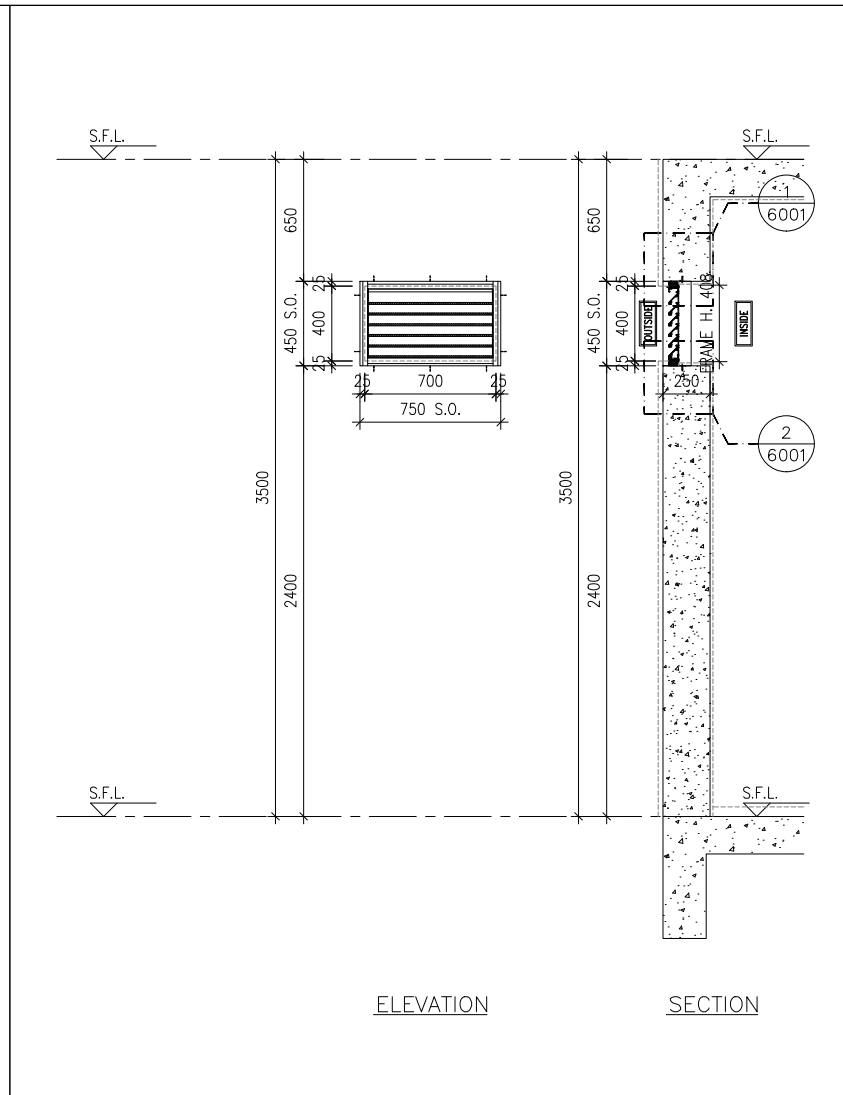
美特鋁質有限公司
 MIDI ALUMINIUM FABRICATOR LTD.
 Units 6-8, Sunray Industrial Centre, 1/F
 610 Cha Kwo Ling Road, Kowloon
 Tel:23489211-4 Fax:(852)27727666

DWG NO. : J858-IL-2302 REV. : -



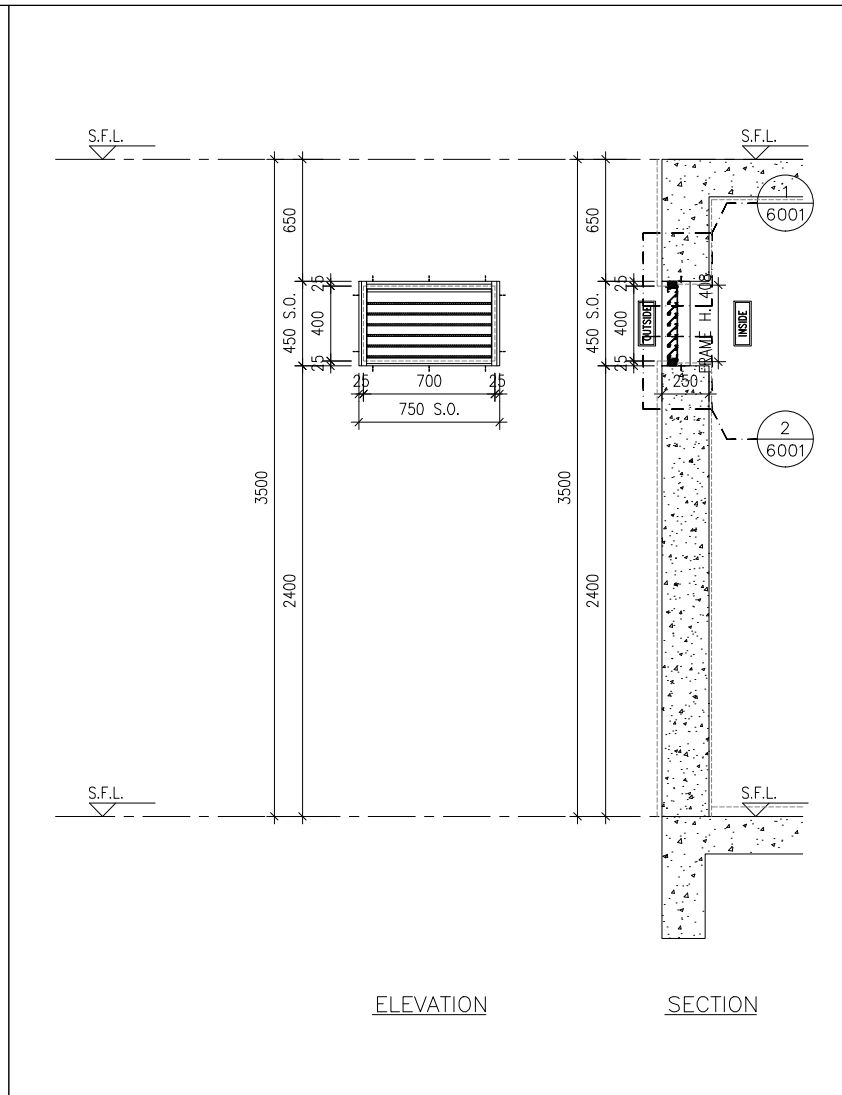
ELEVATION

SECTION



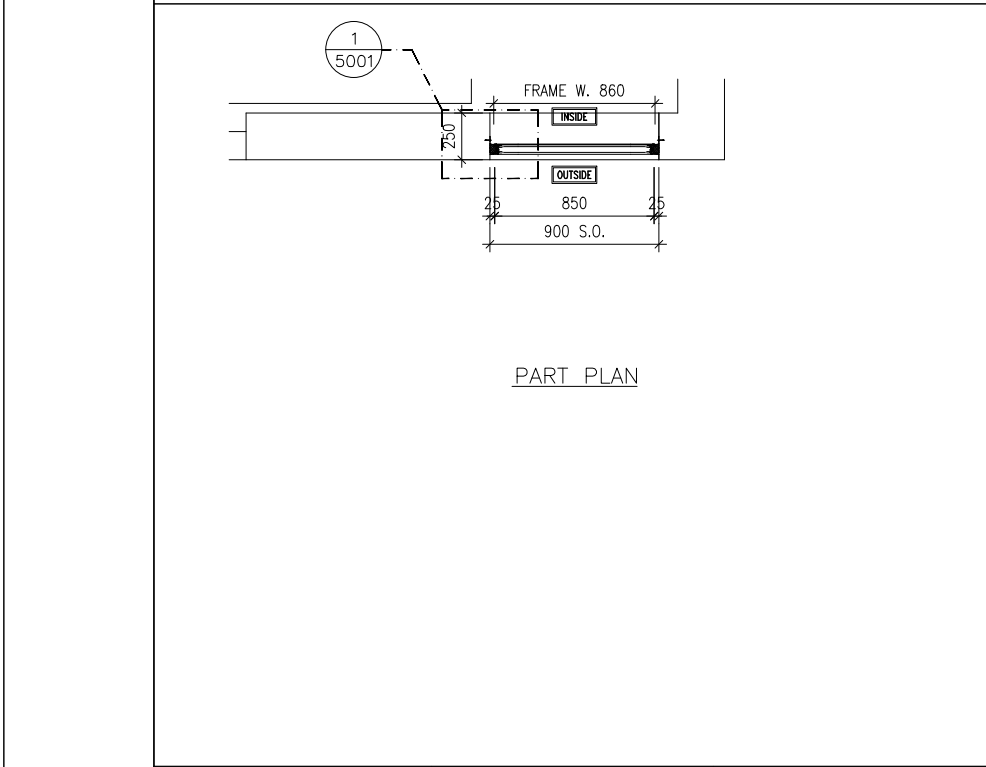
ELEVATION

SECTION

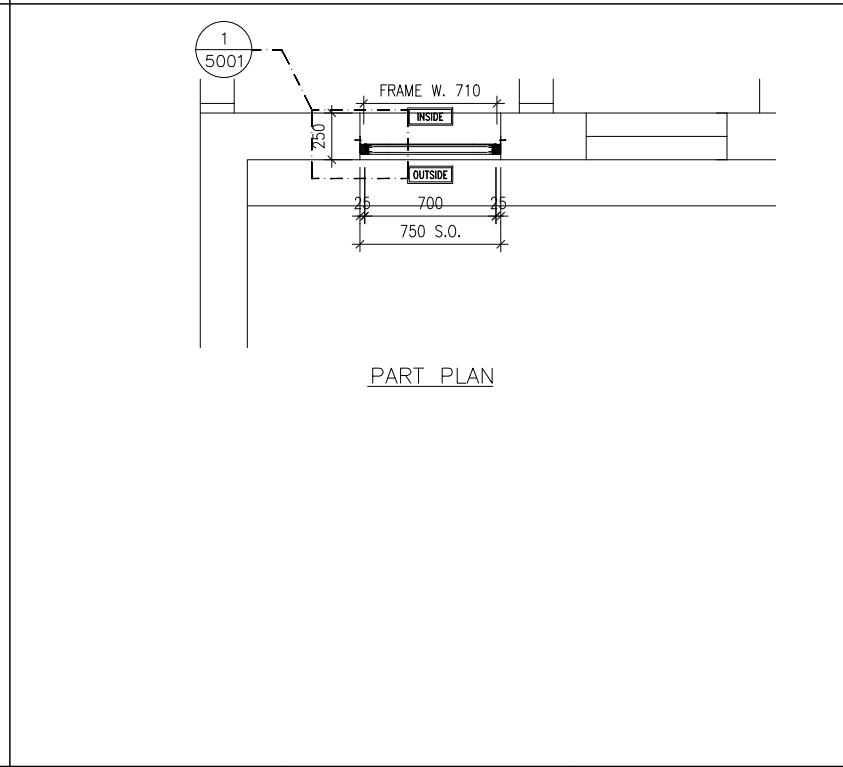


ELEVATION

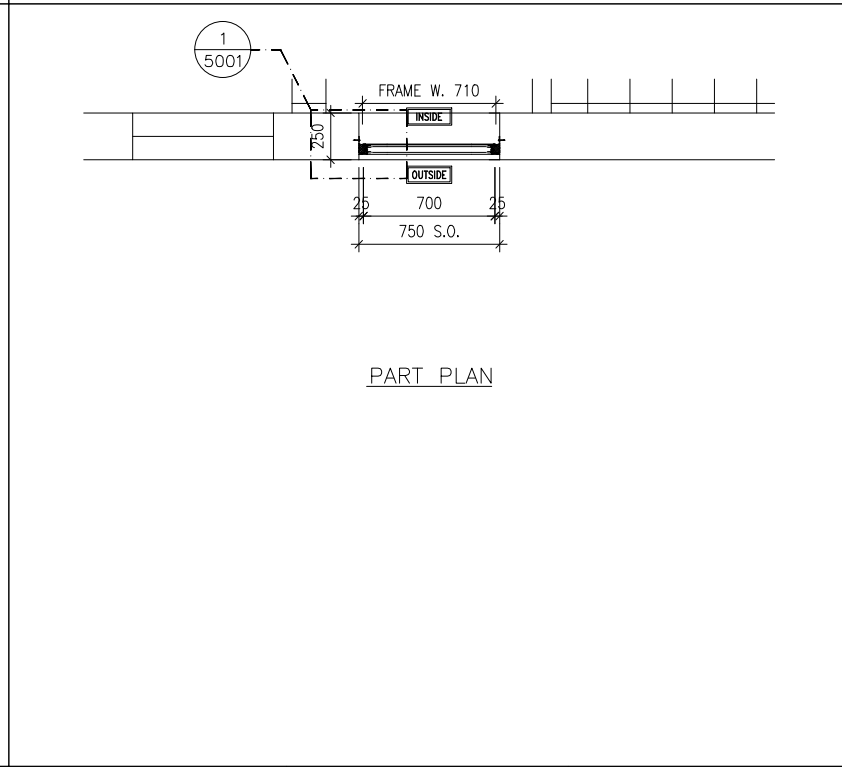
SECTION



PART PLAN



PART PLAN



PART PLAN

GLAZING AREA:	Required = N/A	Provided = N/A
OPENABLE AREA:	Required = N/A	Provided = N/A

GLAZING AREA:	Required = N/A	Provided = N/A
OPENABLE AREA:	Required = N/A	Provided = N/A

GLAZING AREA:	Required = N/A	Provided = N/A
OPENABLE AREA:	Required = N/A	Provided = N/A

WINDOW MARK	T3-UR ILO1
LOCATION	TOWER 3 UPPER ROOF
SECTION	50mm ALUM. SECTION WITH PVF2 COATING(SLIVER CHAMPAGNE COLOUR)
GLAZING	N/A
QUANTITY	1 NO.
REMARKS	FREE AREA (%) : 21.18/36.31 = 0.5833 = 58.33%

WINDOW MARK	T3-UR ILO2
LOCATION	TOWER 3 UPPER ROOF
SECTION	50mm ALUM. SECTION WITH PVF2 COATING(SLIVER CHAMPAGNE COLOUR)
GLAZING	N/A
QUANTITY	1 NO.
REMARKS	FREE AREA (%) : 17.77/33.14 = 0.5362 = 53.62%

WINDOW MARK	T3-UR ILO3
LOCATION	TOWER 3 UPPER ROOF
SECTION	50mm ALUM. SECTION WITH PVF2 COATING(SLIVER CHAMPAGNE COLOUR)
GLAZING	N/A
QUANTITY	1 NO.
REMARKS	FREE AREA (%) : 17.77/33.14 = 0.5362 = 53.62%

B.D. REF :

CLIENT :
 信和置業有限公司
 Sino Land Company Limited

ARCHITECT :
 ronald lu & partners
 Architect, Planners, Interior Designers
 Ronald Lu & Partners (HK) Ltd.
 呂元祥建築師事務所 (香港) 有限公司

MAIN CONTRACTOR :
 Gammon

STRUCTURAL ENGINEER :
 AECOM

FAÇADE CONSULTANT:
 AECOM

NOTE :
 1. ALL DIMENSIONS ARE IN mm.
 2. ALL ELEVATIONS ARE VIEWED FROM OUTSIDE.
 3. ALL DIMENSIONS TO BE VERIFIED ON SITE BEFORE FABRICATION.

LEGEND :
 (X1) --- DETAIL MARK NO.
 (X001) --- REFER SHEET NO.
 1. F.F.L. --- FINISHED FLOOR LEVEL
 2. S.F.L. --- STRUCTURAL FLOOR LEVEL
 3. (R) --- REVERSED DETAIL

NO.	DATE	REVISED	BY
-----	------	---------	----

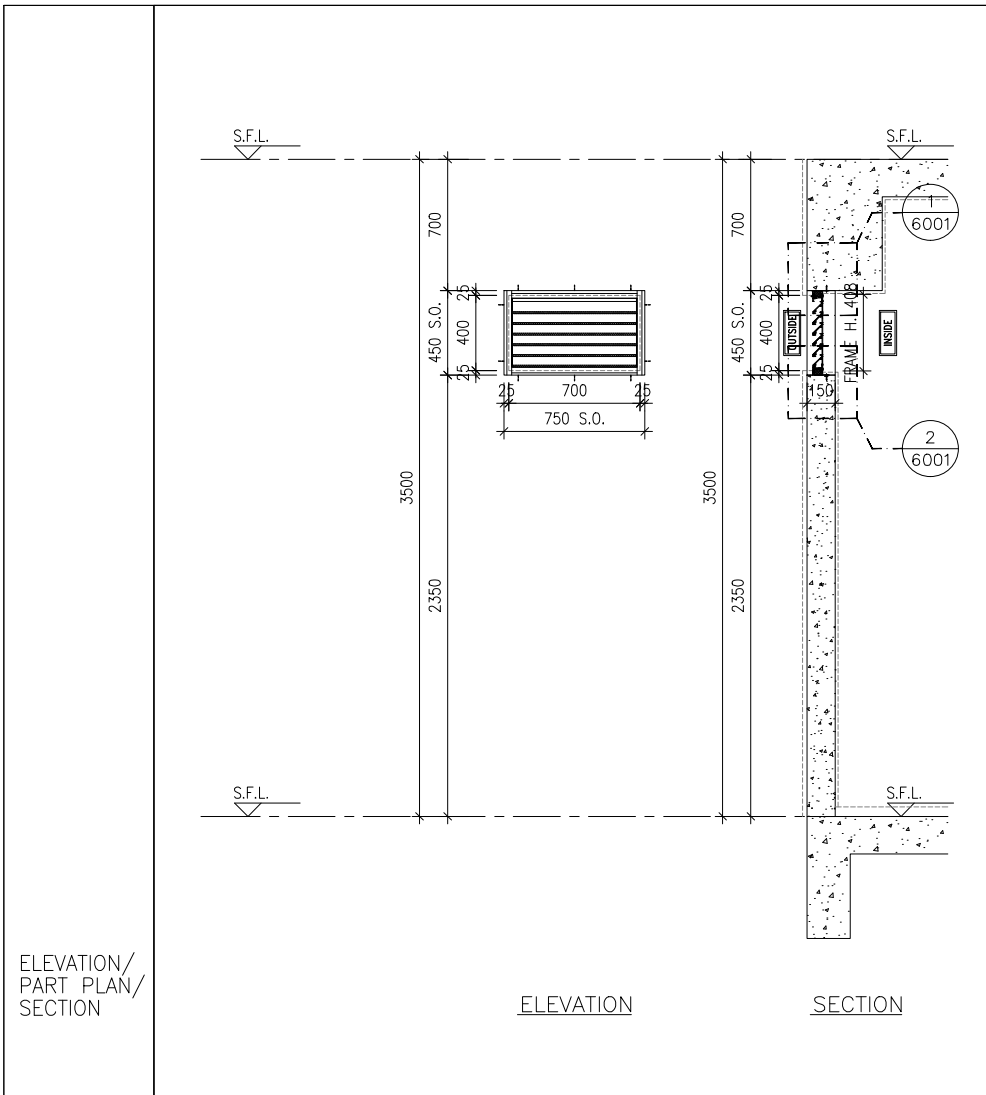
JOB NO. : J-858
 PROJECT : PROPOSED RESIDENTIAL DEVELOPMENT AT TKOTL 70RP, PHASE 11, LOHAS PARK TSEUNG KWAN O, N.T.

TITLE :
 IN-SITU ALUM. LOUVER ALUM. LOUVER SCHEDULE FOR TOWER 3

DATE : 04-OCT-21 SCALE : 1:40
 DRAWN BY : CHECKED BY :

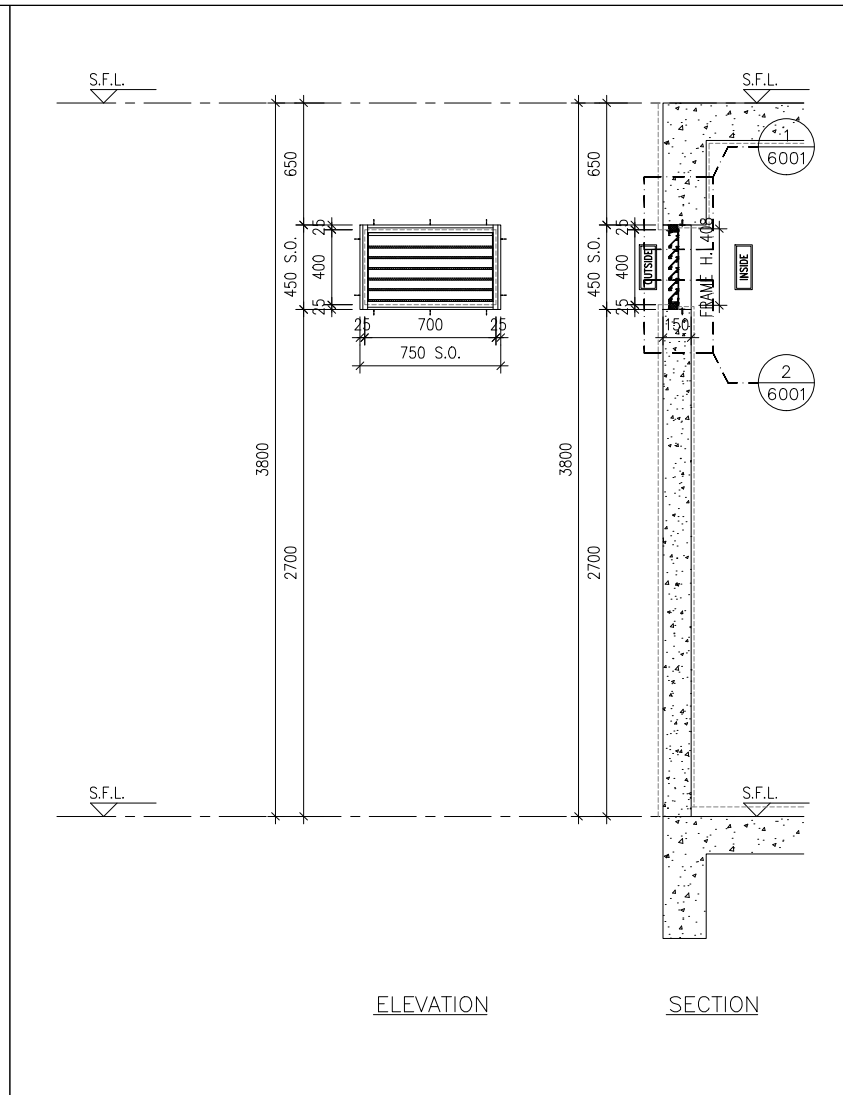
美特鋁質有限公司
 MIDI ALUMINIUM FABRICATOR LTD.
 Units 6-8, Sunray Industrial Centre, 1/F
 610 Cha Kwo Ling Road, Kowloon
 Tel:23489211-4 Fax:(852)2727666

DWG NO. : J858-IL-2303 REV. : -



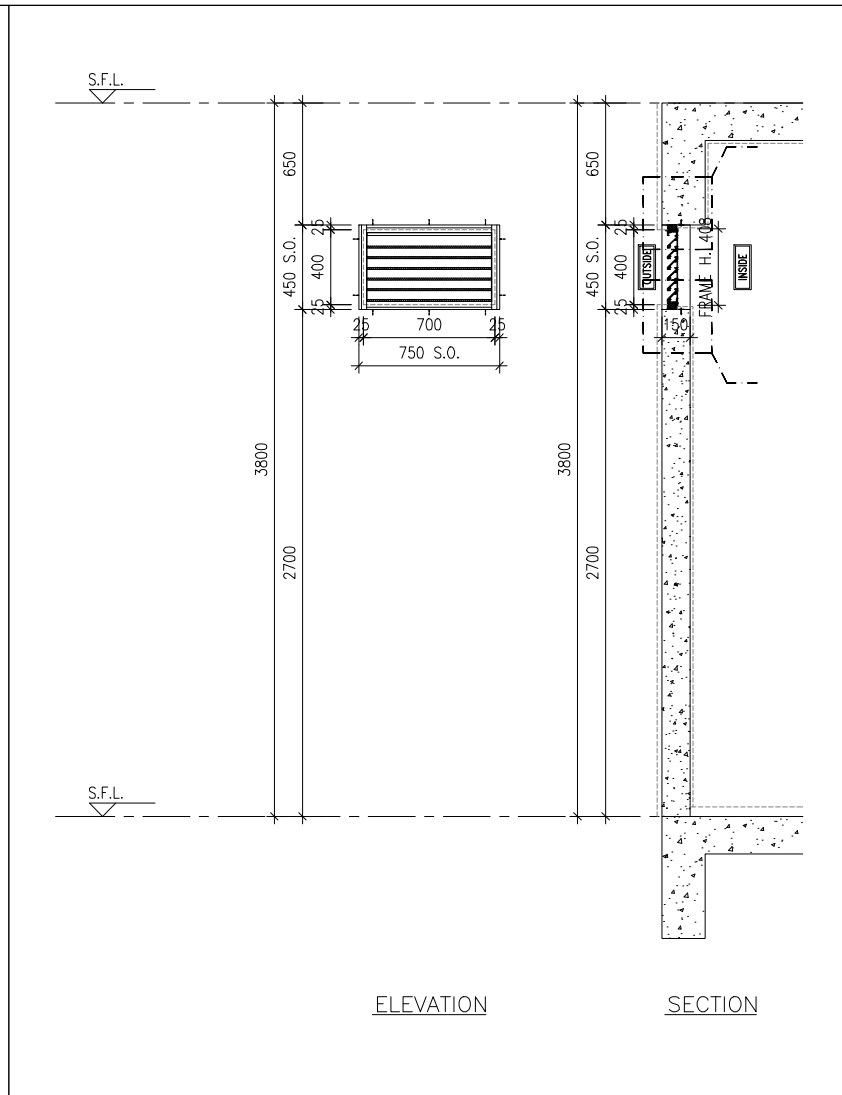
ELEVATION

SECTION



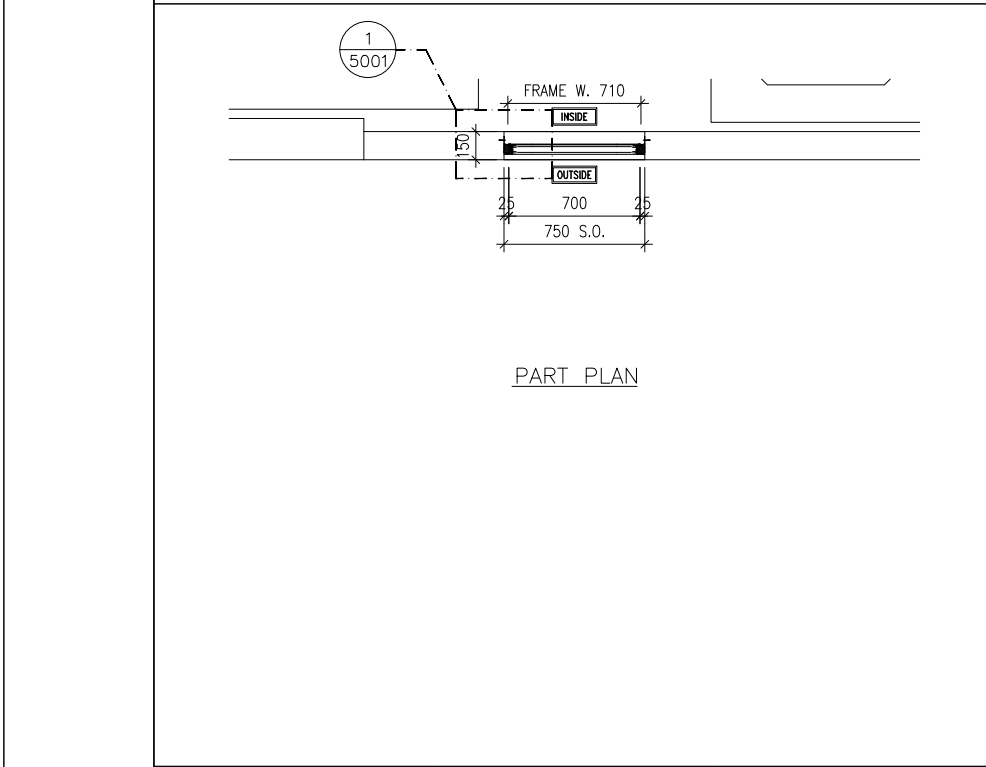
ELEVATION

SECTION

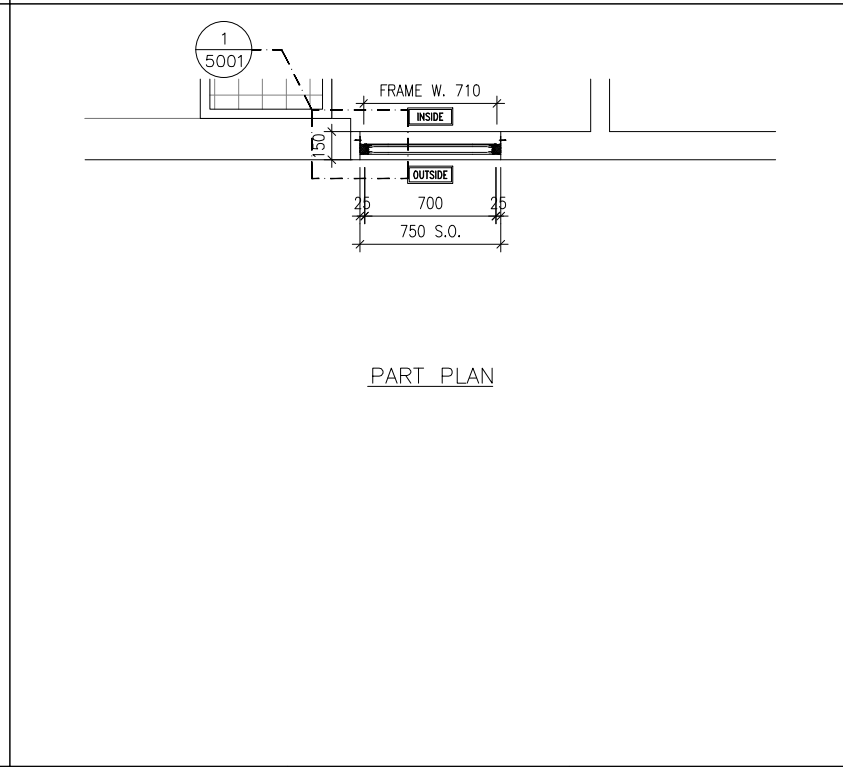


ELEVATION

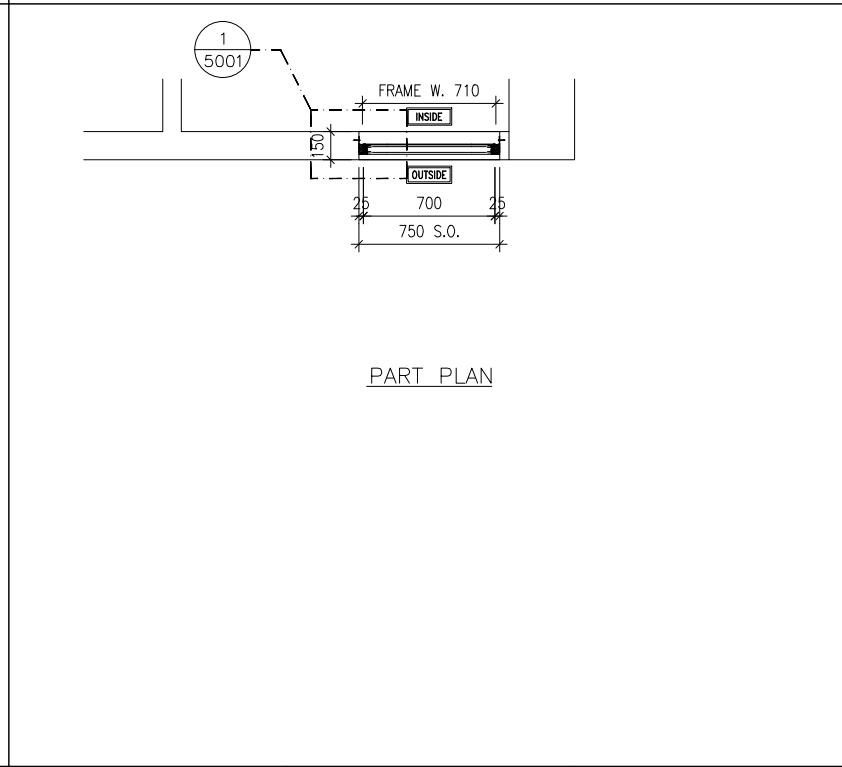
SECTION



PART PLAN



PART PLAN



PART PLAN

B.D. REF :

CLIENT :
 信和置業有限公司
 Sino Land Company Limited

ARCHITECT :
 ronald lu & partners
 Ronald Lu & Partners (HK) Ltd.
 呂元祥建築師事務所 (香港) 有限公司

MAIN CONTRACTOR :
 Gammon

STRUCTURAL ENGINEER :
 AECOM

FACADE CONSULTANT:
 AECOM

NOTE :
 1. ALL DIMENSIONS ARE IN mm.
 2. ALL ELEVATIONS ARE VIEWED FROM OUTSIDE.
 3. ALL DIMENSIONS TO BE VERIFIED ON SITE BEFORE FABRICATION.

LEGEND :
 (X1) --- DETAIL MARK NO.
 (X001) --- REFER SHEET NO.

1. F.F.L. --- FINISHED FLOOR LEVEL
 2. S.F.L. --- STRUCTURAL FLOOR LEVEL
 3. (R) --- REVERSED DETAIL

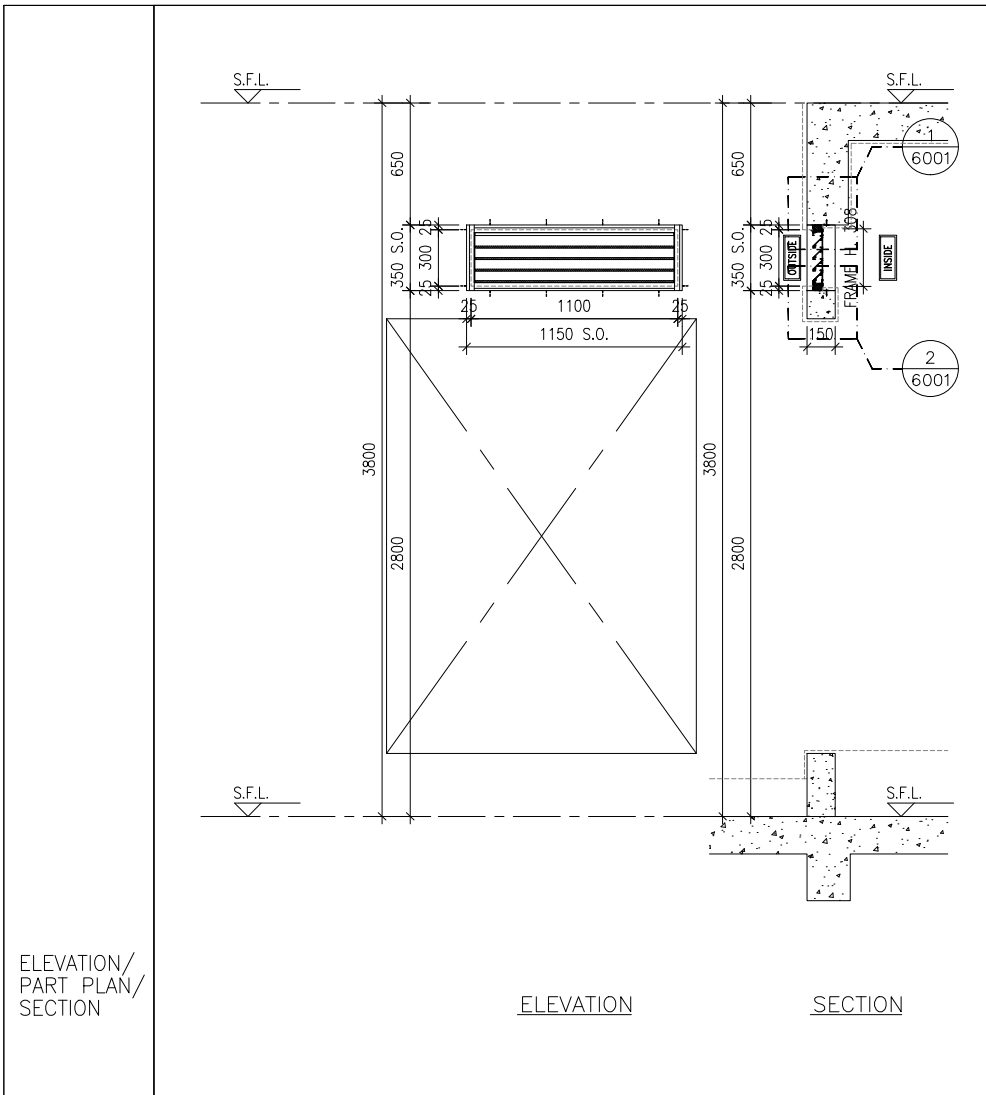
NO.	DATE	REVISED	BY
JOB NO. : J-858			
PROJECT : PROPOSED RESIDENTIAL DEVELOPMENT AT TKOTL 70RP, PHASE 11, LOHAS PARK TSEUNG KWAN O, N.T.			
TITLE : IN-SITU ALUM. LOUVER ALUM. LOUVER SCHEDULE FOR TOWER 3			

GLAZING AREA:	Required = N/A	Provided = N/A
OPENABLE AREA:	Required = N/A	Provided = N/A
WINDOW MARK	13-UR / L04	
LOCATION	TOWER 3 UPPER ROOF	
SECTION	50mm ALUM. SECTION WITH PVF2 COATING(SLIVER CHAMPAGNE COLOUR)	
GLAZING	N/A	
QUANTITY	1 NOS.	
REMARKS	FREE AREA (%) : 17.77/33.14 = 0.5362 = 53.62%	

GLAZING AREA:	Required = N/A	Provided = N/A
OPENABLE AREA:	Required = N/A	Provided = N/A
WINDOW MARK	13-LMR / L05	
LOCATION	TOWER 3 LIFT MACHINE ROOM	
SECTION	50mm ALUM. SECTION WITH PVF2 COATING(SLIVER CHAMPAGNE COLOUR)	
GLAZING	N/A	
QUANTITY	1 NOS.	
REMARKS	FREE AREA (%) : 17.77/33.14 = 0.5362 = 53.62%	

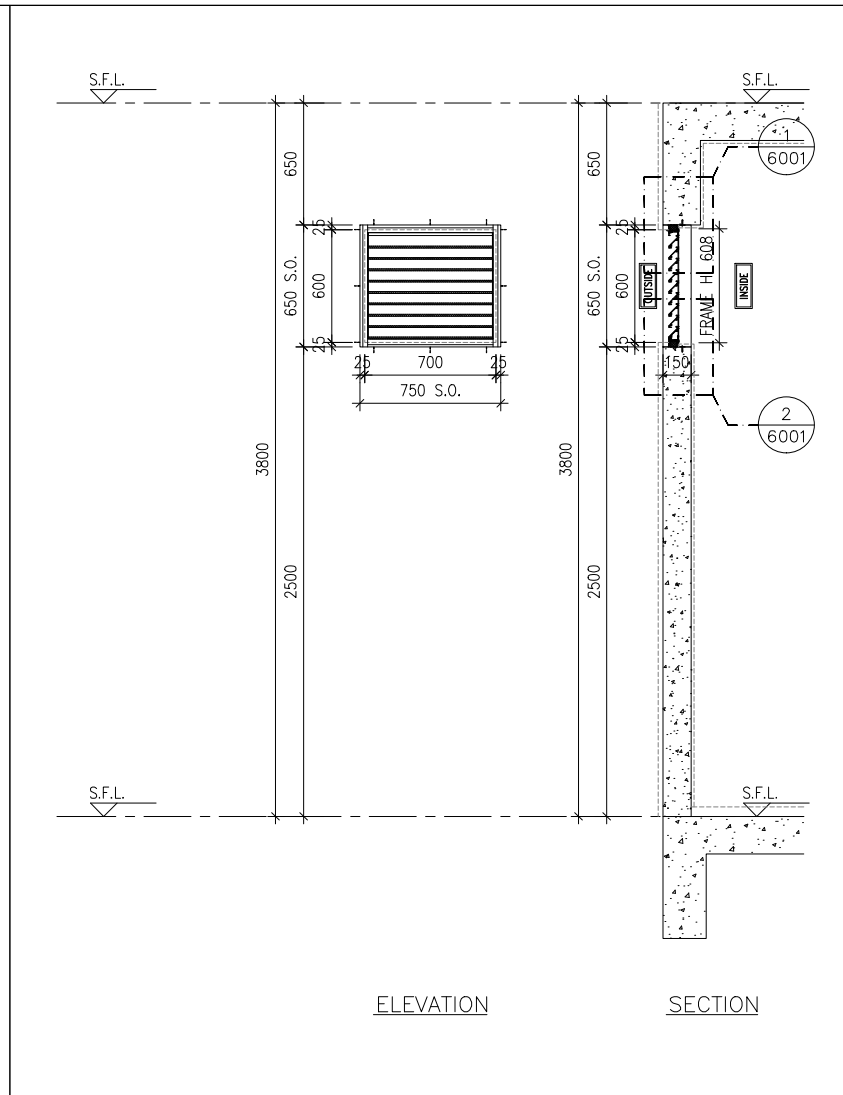
GLAZING AREA:	Required = N/A	Provided = N/A
OPENABLE AREA:	Required = N/A	Provided = N/A
WINDOW MARK	13-LMR / L06	
LOCATION	TOWER 3 LIFT MACHINE ROOM	
SECTION	50mm ALUM. SECTION WITH PVF2 COATING(SLIVER CHAMPAGNE COLOUR)	
GLAZING	N/A	
QUANTITY	1 NOS.	
REMARKS	FREE AREA (%) : 17.77/33.14 = 0.5362 = 53.62%	

DATE : 04-OCT-21	SCALE : 1:40
DRAWN BY :	CHECKED BY :
美特鋁質有限公司 MIDI ALUMINIUM FABRICATOR LTD. Units 6-8, Sunray Industrial Centre, 1/F 610 Cha Kwo Ling Road, Kowloon Tel:23489211-4 Fax:(852)27727666	
DWG NO. : J858-IL-2304	REV. : -



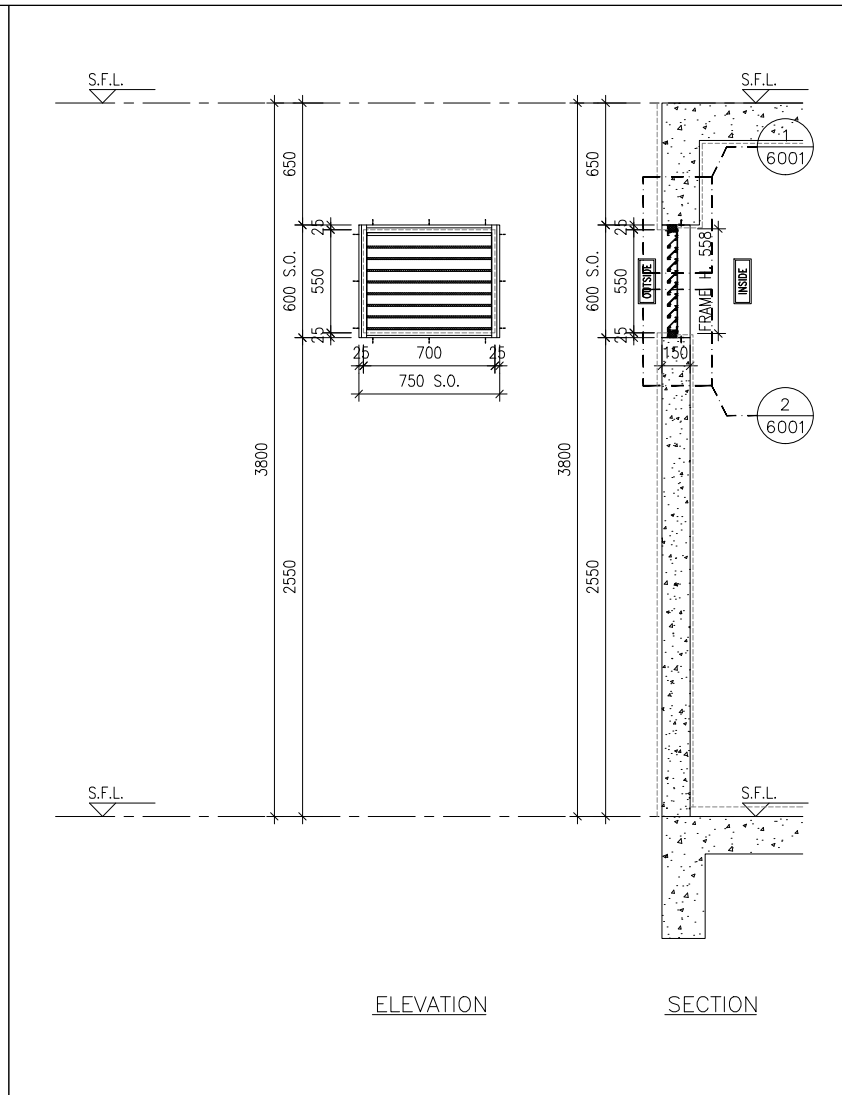
ELEVATION

SECTION



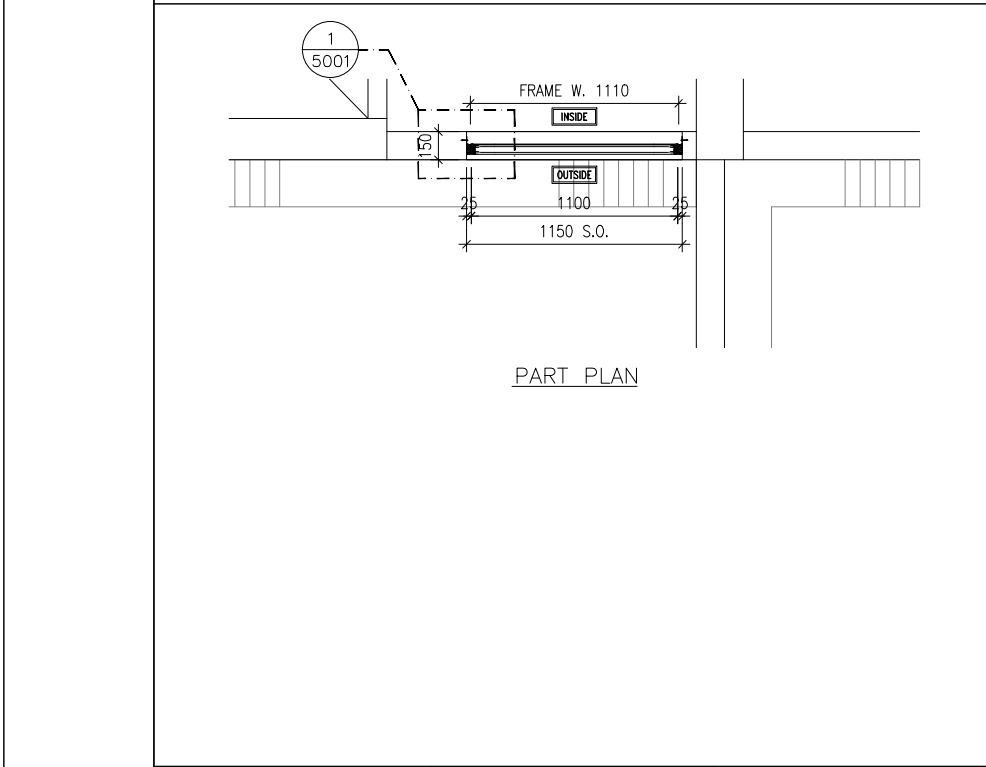
ELEVATION

SECTION

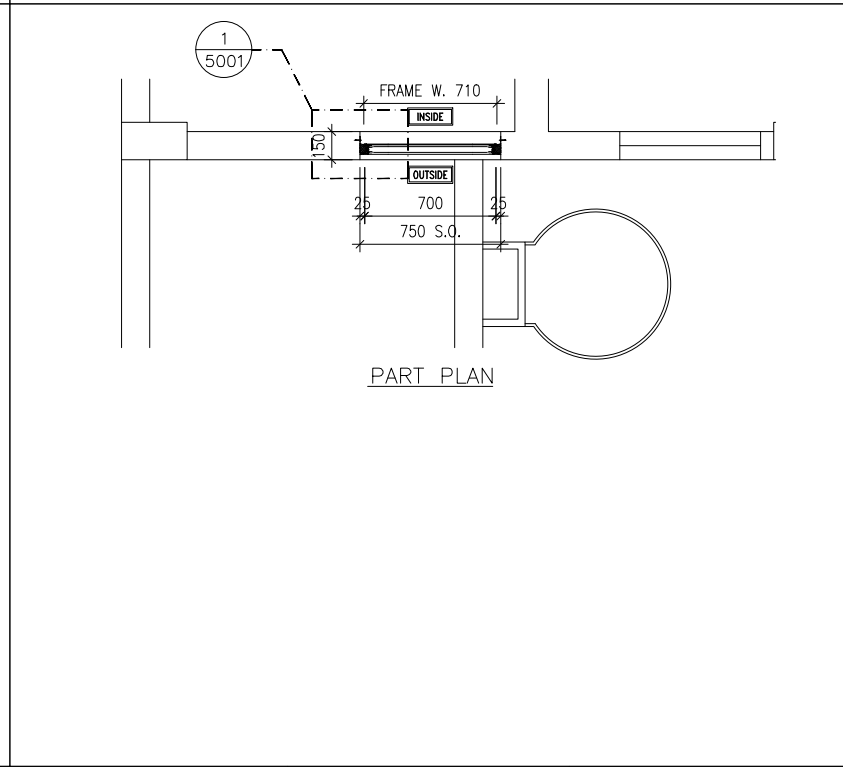


ELEVATION

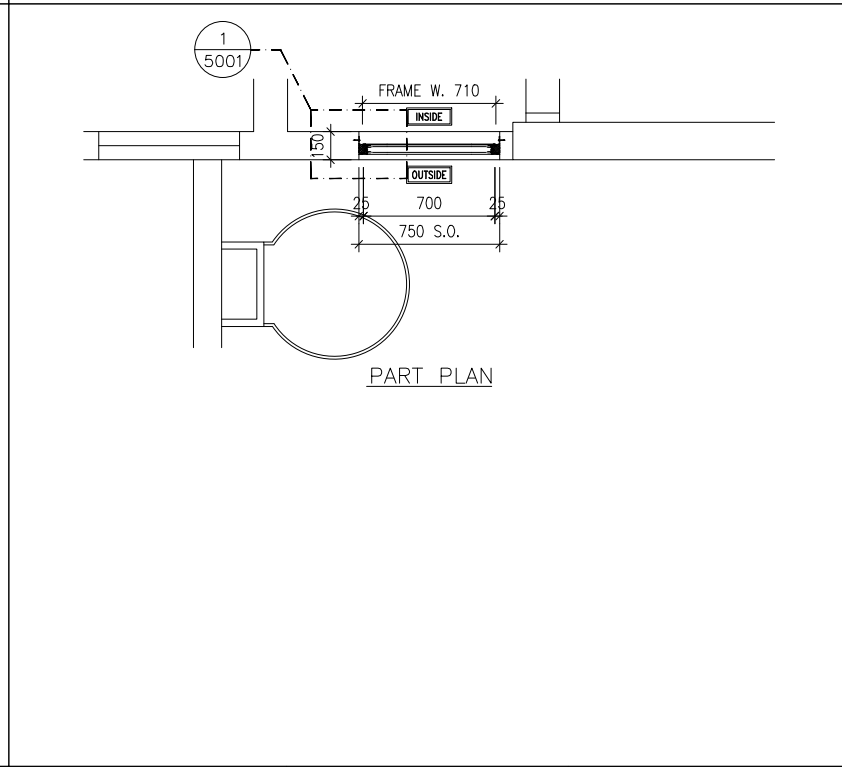
SECTION



PART PLAN



PART PLAN



PART PLAN

B.D. REF :

CLIENT :
 信和置業有限公司
 Sino Land Company Limited

ARCHITECT :
 ronald lu & partners
 Architectural Planners Interior Designers
 Ronald Lu & Partners (HK) Ltd.
 呂元祥建築師事務所 (香港) 有限公司

MAIN CONTRACTOR :
 Gammon

STRUCTURAL ENGINEER :
 AECOM

FACADE CONSULTANT:
 AECOM

NOTE :
 1. ALL DIMENSIONS ARE IN mm.
 2. ALL ELEVATIONS ARE VIEWED FROM OUTSIDE.
 3. ALL DIMENSIONS TO BE VERIFIED ON SITE BEFORE FABRICATION.

LEGEND :
 x1 --- DETAIL MARK NO.
 x001 --- REFER SHEET NO.

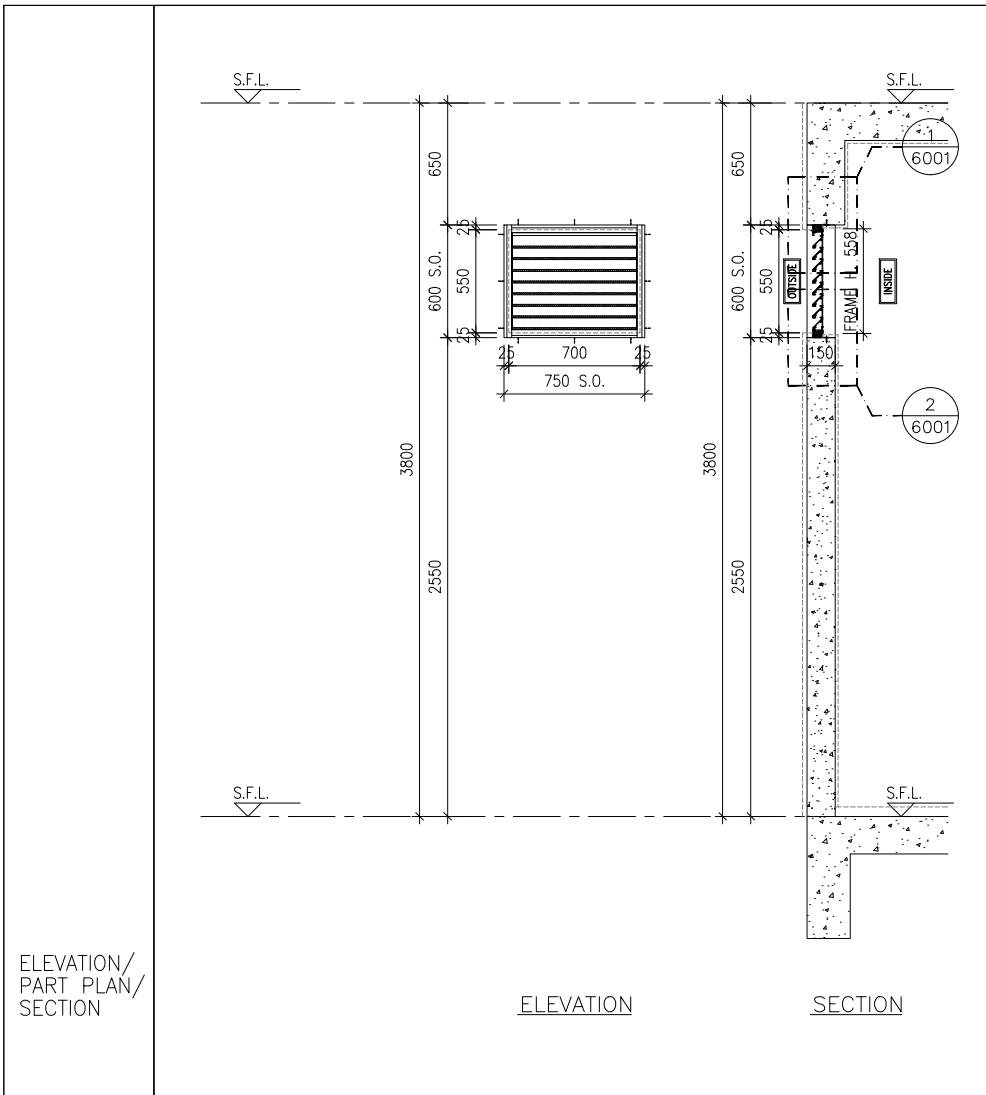
1. F.F.L. --- FINISHED FLOOR LEVEL
 2. S.F.L. --- STRUCTURAL FLOOR LEVEL
 3. (R) --- REVERSED DETAIL

NO.	DATE	REVISED	BY
JOB NO. : J-858			
PROJECT : PROPOSED RESIDENTIAL DEVELOPMENT AT TKOTL 70RP, PHASE 11, LOHAS PARK TSEUNG KWAN O, N.T.			
TITLE : IN-SITU ALUM. LOUVER ALUM. LOUVER SCHEDULE FOR TOWER 3			
DATE : 04-OCT-21		SCALE : 1:40	
DRAWN BY :		CHECKED BY :	
美特鋁質有限公司 MIDI ALUMINIUM FABRICATOR LTD. Units 6-8, Sunray Industrial Centre, 1/F 610 Cha Kwo Ling Road, Kowloon Tel:23489211-4 Fax:(852)2727666			
DWG NO. : J858-IL-2305		REV. : -	

GLAZING AREA:	Required = N/A	Provided = N/A
OPENABLE AREA:	Required = N/A	Provided = N/A
WINDOW MARK		
LOCATION	TOWER 3 ROOF FLOOR	
SECTION	50mm ALUM. SECTION WITH PVF2 COATING(SLIVER CHAMPAGNE COLOUR)	
GLAZING	N/A	
QUANTITY	1 NOS.	
REMARKS	FREE AREA (%) : 20.63/35.80 = 0.5763 = 57.63%	

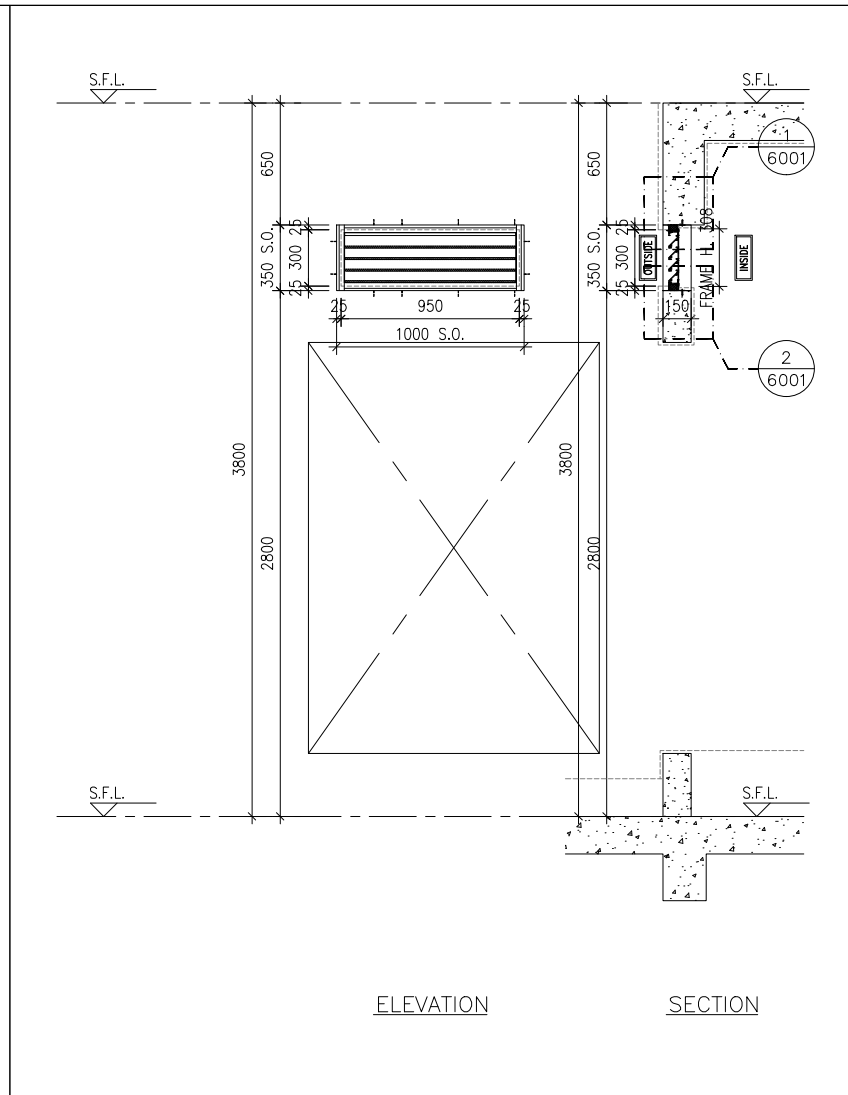
GLAZING AREA:	Required = N/A	Provided = N/A
OPENABLE AREA:	Required = N/A	Provided = N/A
WINDOW MARK		
LOCATION	TOWER 3 LIFT MACHINE ROOM	
SECTION	50mm ALUM. SECTION WITH PVF2 COATING(SLIVER CHAMPAGNE COLOUR)	
GLAZING	N/A	
QUANTITY	1 NOS.	
REMARKS	FREE AREA (%) : 20.08/35.28 = 0.5692 = 56.92%	

GLAZING AREA:	Required = N/A	Provided = N/A
OPENABLE AREA:	Required = N/A	Provided = N/A
WINDOW MARK		
LOCATION	TOWER 3 LIFT MACHINE ROOM	
SECTION	50mm ALUM. SECTION WITH PVF2 COATING(SLIVER CHAMPAGNE COLOUR)	
GLAZING	N/A	
QUANTITY	1 NOS.	
REMARKS	FREE AREA (%) : 21.02/36.16 = 0.5813 = 58.13%	



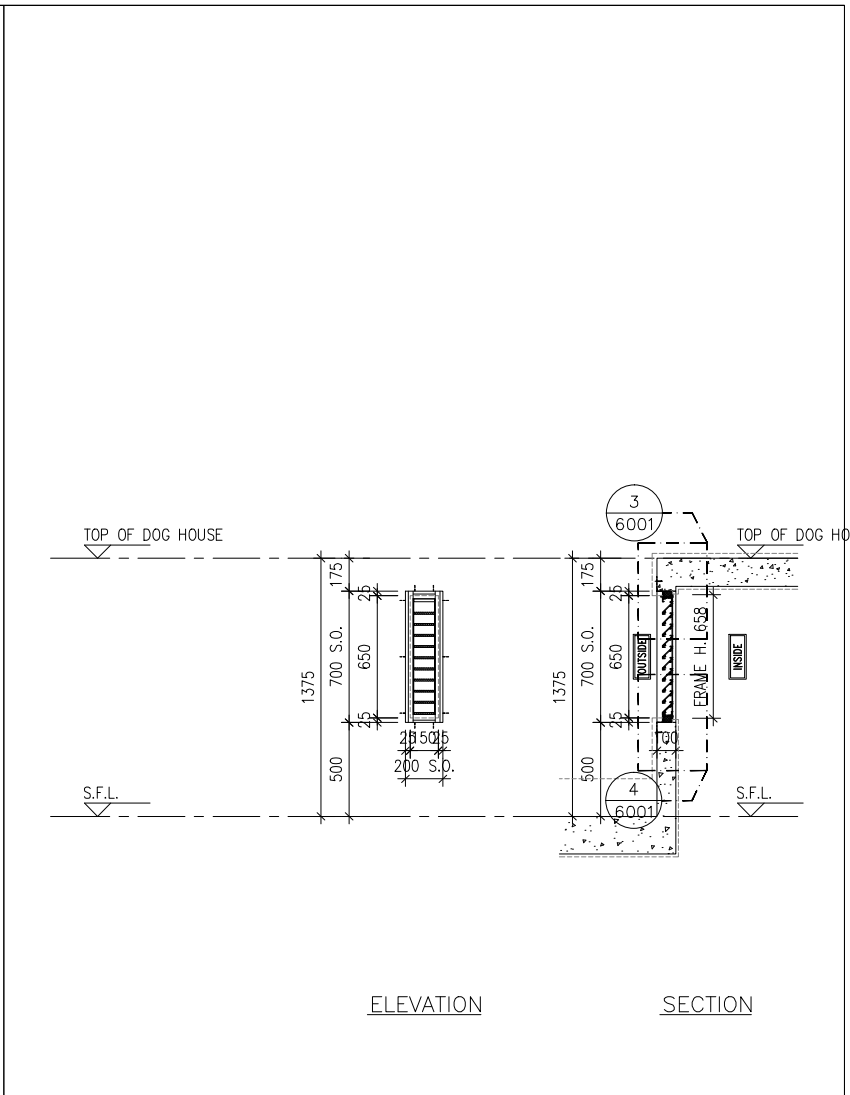
ELEVATION

SECTION



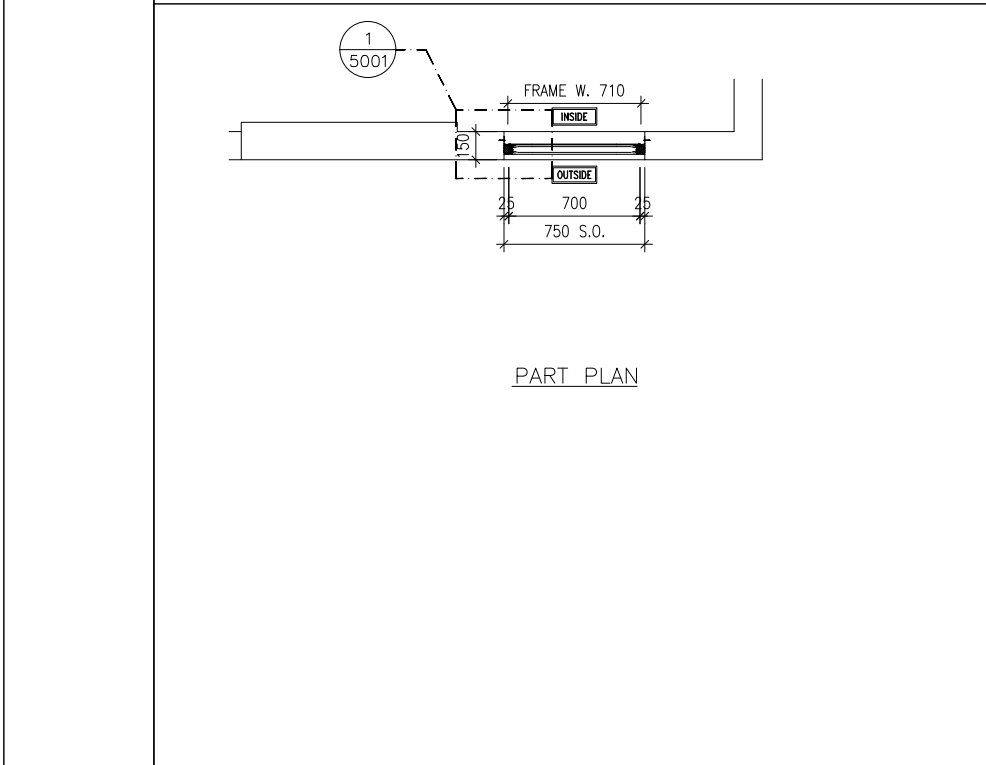
ELEVATION

SECTION

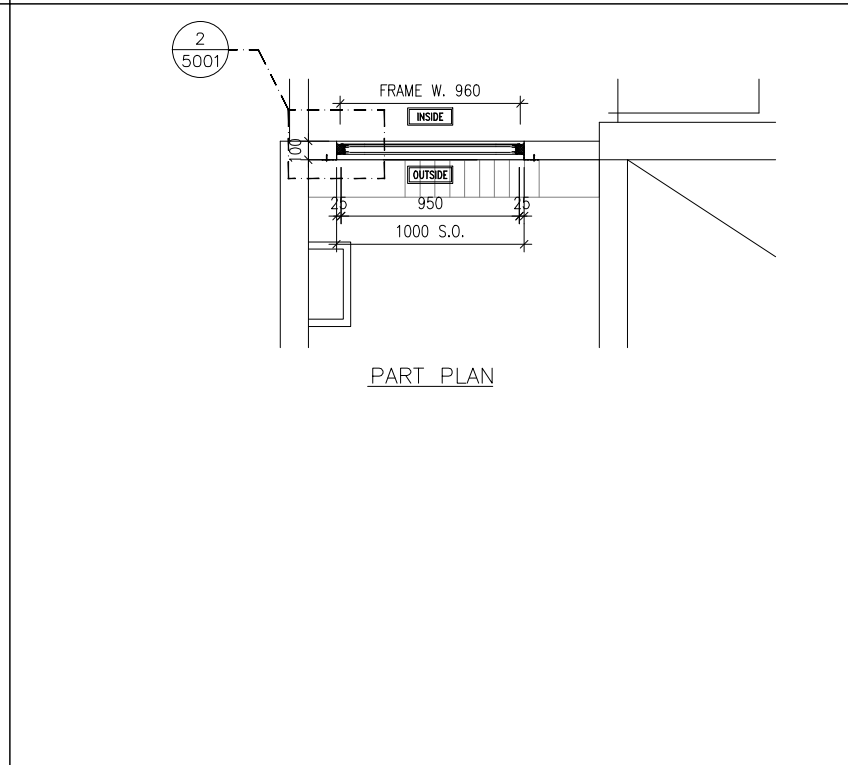


ELEVATION

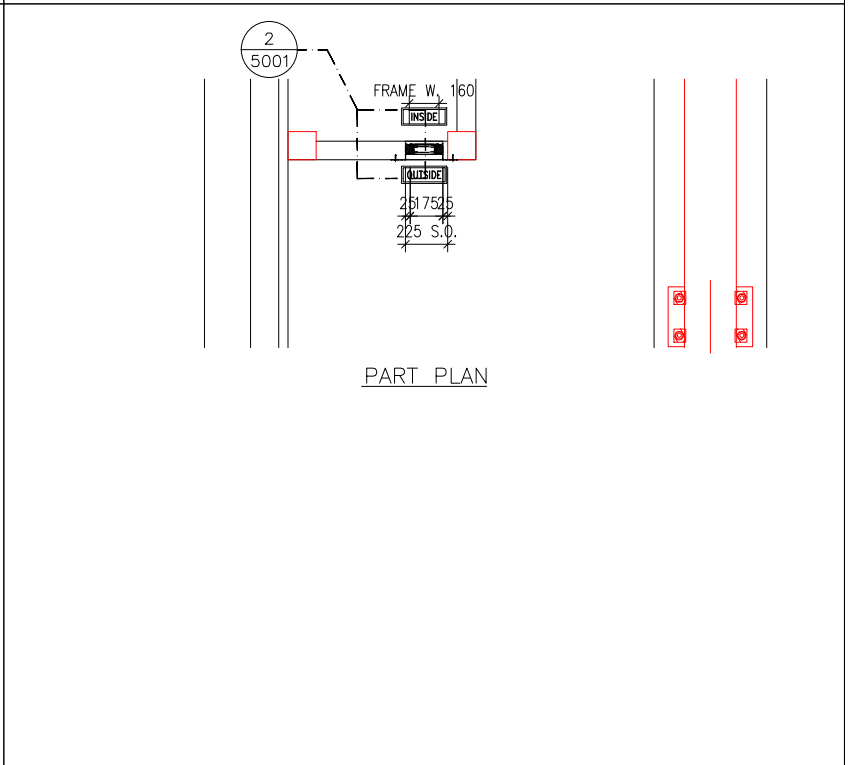
SECTION



PART PLAN



PART PLAN



PART PLAN

B.D. REF :

CLIENT :
 信和置業有限公司
 Sino Land Company Limited

ARCHITECT :
ronald lu & partners
 Multi-disciplinary Architects, Planners, Interior Designers
 Ronald Lu & Partners (HK) Ltd.
 呂元祥建築師事務所 (香港) 有限公司

MAIN CONTRACTOR :
Gammon

STRUCTURAL ENGINEER :
AECOM

FACADE CONSULTANT:
AECOM

NOTE :
 1. ALL DIMENSIONS ARE IN mm.
 2. ALL ELEVATIONS ARE VIEWED FROM OUTSIDE.
 3. ALL DIMENSIONS TO BE VERIFIED ON SITE BEFORE FABRICATION.

LEGEND :
 (X1) --- DETAIL MARK NO.
 (X001) --- REFER SHEET NO.
 1. F.F.L. --- FINISHED FLOOR LEVEL
 2. S.F.L. --- STRUCTURAL FLOOR LEVEL
 3. (R) --- REVERSED DETAIL

NO.	DATE	REVISED	BY
JOB NO. : J-858			
PROJECT : PROPOSED RESIDENTIAL DEVELOPMENT AT TKOTL 70RP, PHASE 11, LOHAS PARK TSEUNG KWAN O, N.T.			
TITLE : IN-SITU ALUM. LOUVER ALUM. LOUVER SCHEDULE FOR TOWER 3			

GLAZING AREA:	Required = N/A	Provided = N/A
OPENABLE AREA:	Required = N/A	Provided = N/A
WINDOW MARK	T3-LMR IL10	
LOCATION	TOWER 3 LIFT MACHINE ROOM	
SECTION	50mm ALUM. SECTION WITH PVF2 COATING(SLIVER CHAMPAGNE COLOUR)	
GLAZING	N/A	
QUANTITY	1 NOS.	
REMARKS	FREE AREA (%) : 21.02/36.16 = 0.5813 = 58.13%	

GLAZING AREA:	Required = N/A	Provided = N/A
OPENABLE AREA:	Required = N/A	Provided = N/A
WINDOW MARK	T3-RF IL11	
LOCATION	TOWER 3 ROOF FLOOR	
SECTION	50mm ALUM. SECTION WITH PVF2 COATING(SLIVER CHAMPAGNE COLOUR)	
GLAZING	N/A	
QUANTITY	1 NOS.	
REMARKS	FREE AREA (%) : 20.63/35.80 = 0.5763 = 57.63%	

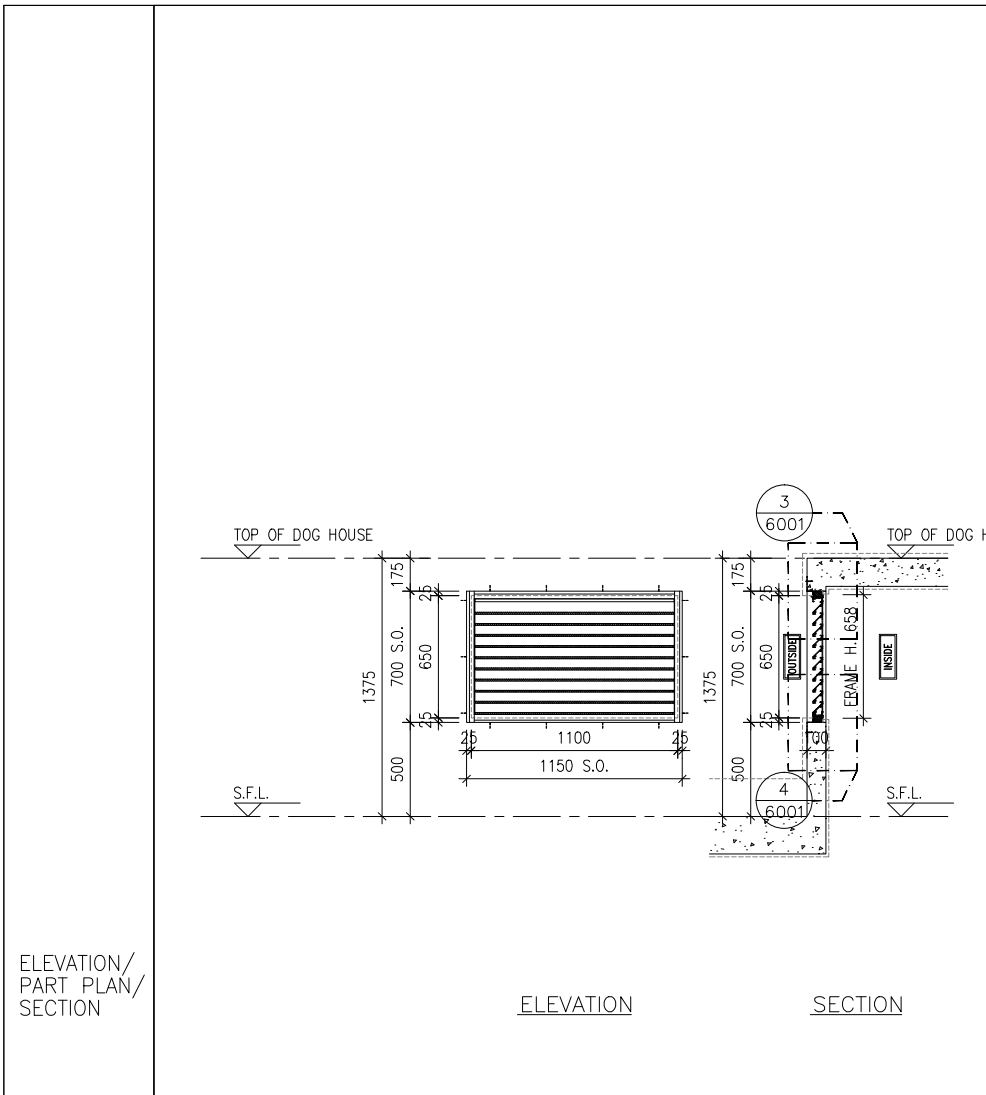
GLAZING AREA:	Required = N/A	Provided = N/A
OPENABLE AREA:	Required = N/A	Provided = N/A
WINDOW MARK	T3-TR IL12	
LOCATION	TOWER 3 TOP ROOF	
SECTION	50mm ALUM. SECTION WITH PVF2 COATING(SLIVER CHAMPAGNE COLOUR)	
GLAZING	N/A	
QUANTITY	1 NOS.	
REMARKS	FREE AREA (%) : 19.34/34.60 = 0.5590 = 55.90%	

DATE : 04-OCT-21 SCALE : 1:40

DRAWN BY : CHECKED BY :

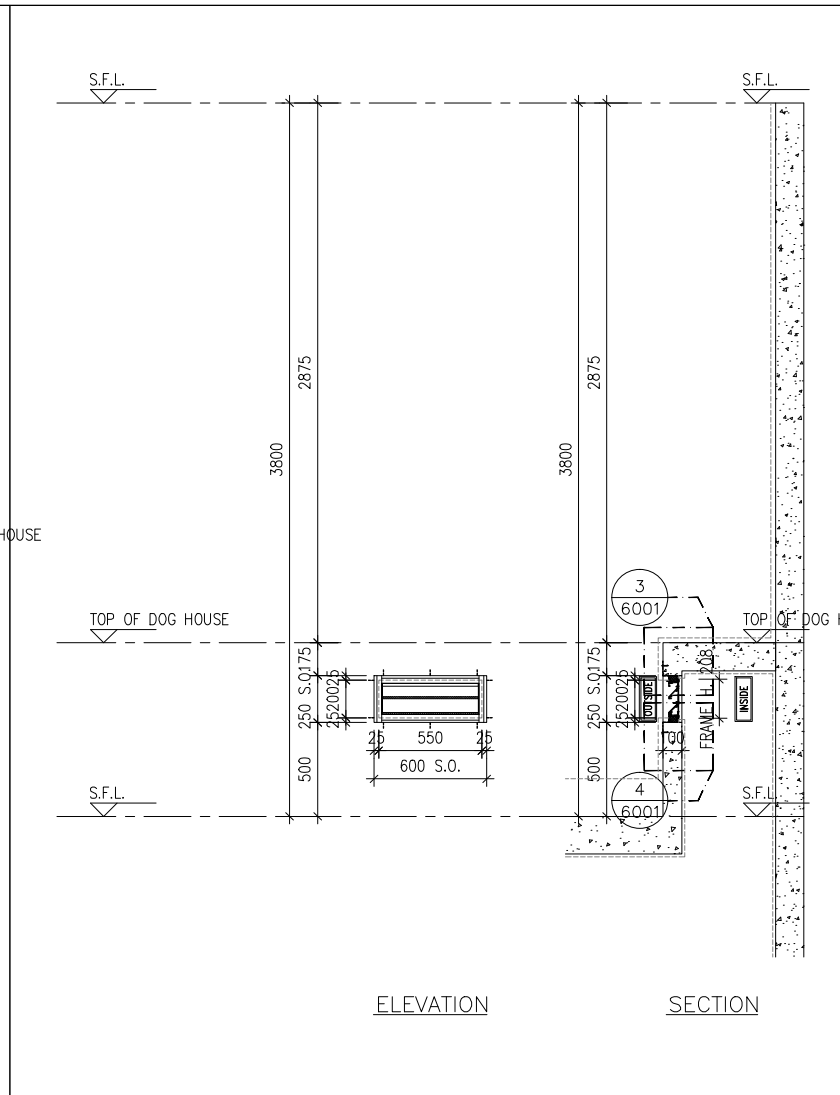
美特鋁質有限公司
 MIDI ALUMINIUM FABRICATOR LTD.
 Units 6-8, Sunray Industrial Centre, 1/F
 610 Cha Kwo Ling Road, Kowloon
 Tel:23489211-4 Fax:(852)2727666

DWG NO. : J858-IL-2306 REV. : -



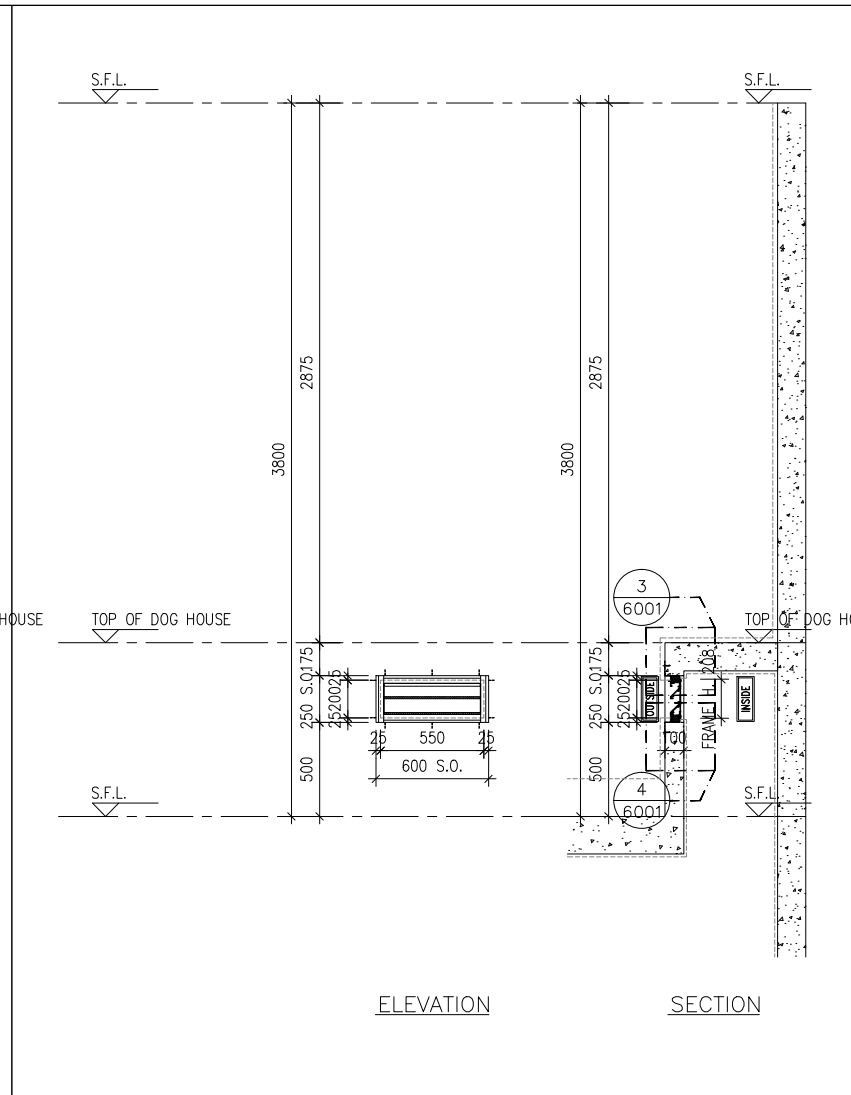
ELEVATION

SECTION



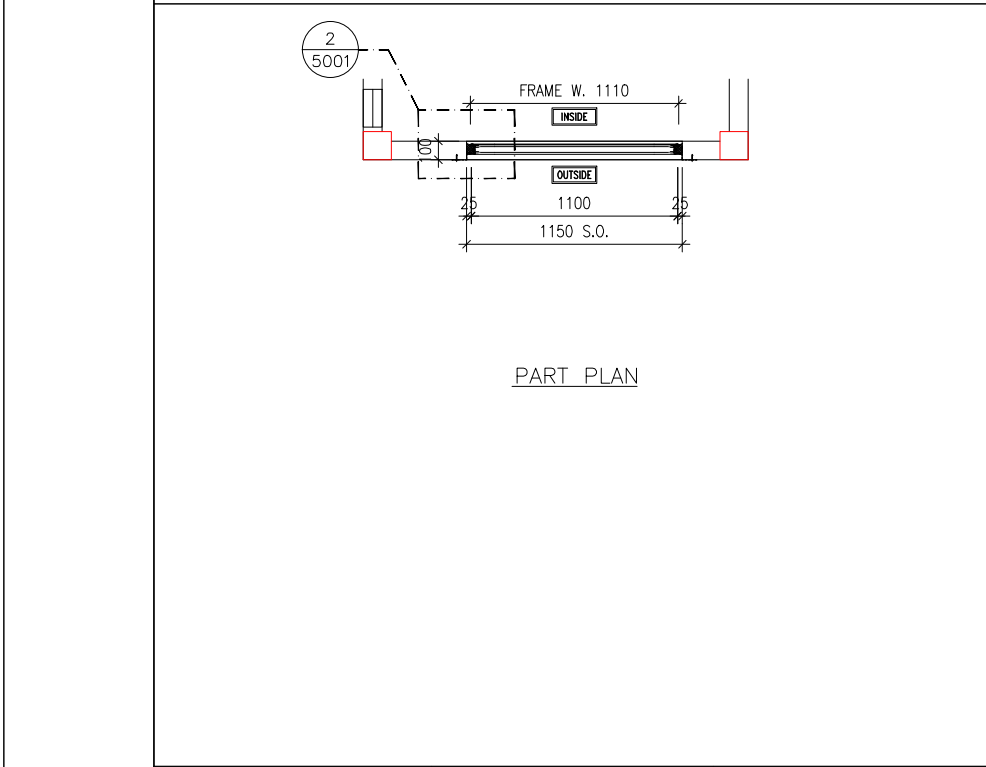
ELEVATION

SECTION

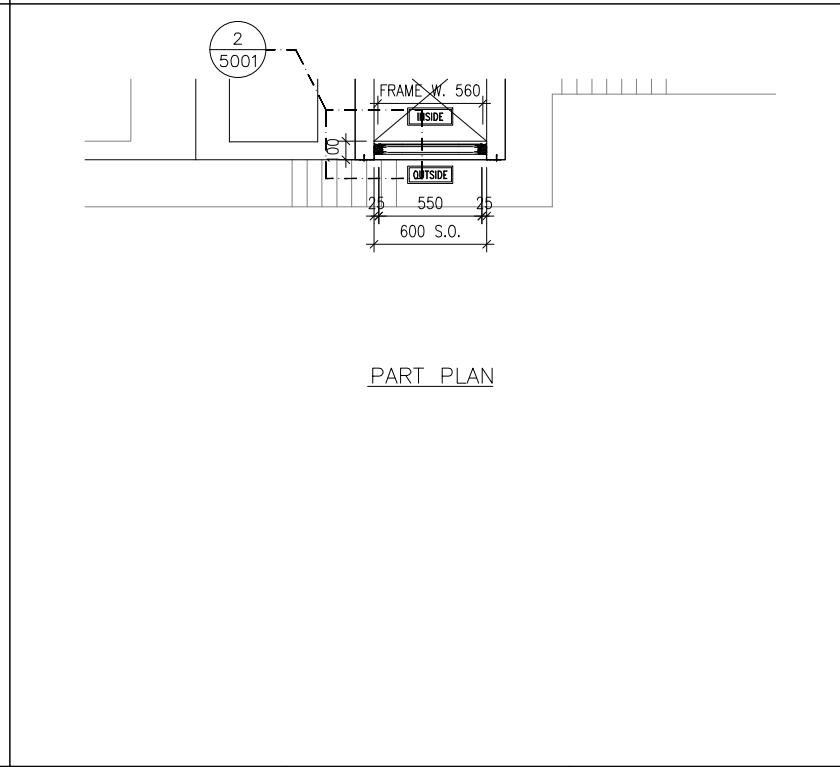


ELEVATION

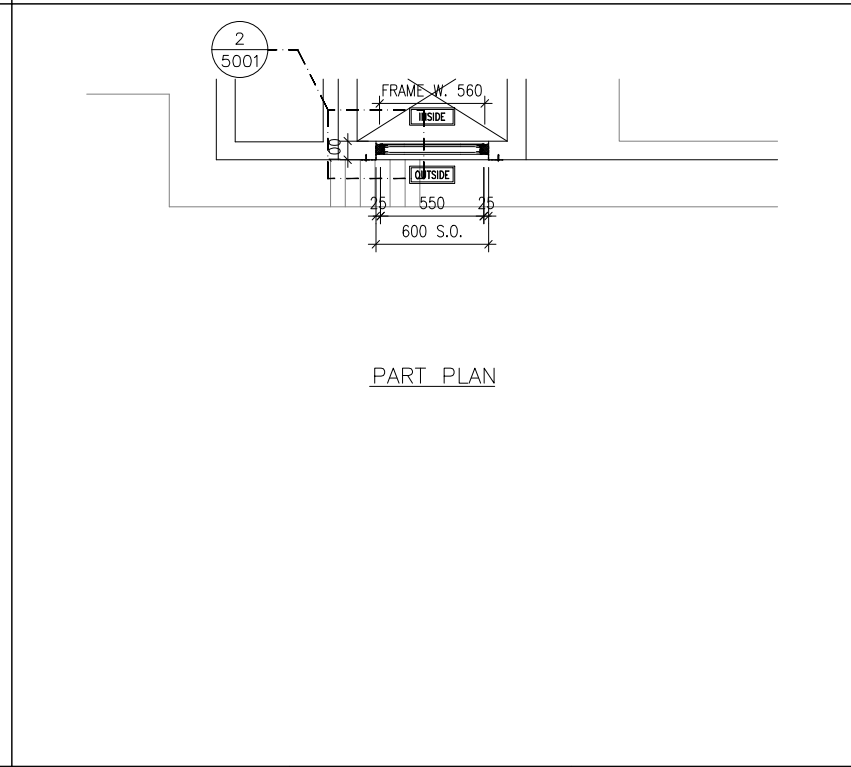
SECTION



PART PLAN



PART PLAN



PART PLAN

B.D. REF :

CLIENT :
 信和置業有限公司
 Sino Land Company Limited

ARCHITECT :
 ronald lu & partners
 Architects, Planners, Interior Designers
 Ronald Lu & Partners (HK) Ltd.
 呂元祥建築師事務所(香港)有限公司

MAIN CONTRACTOR :
 Gammon

STRUCTURAL ENGINEER :
 AECOM

FAÇADE CONSULTANT:
 AECOM

NOTE :
 1. ALL DIMENSIONS ARE IN mm.
 2. ALL ELEVATIONS ARE VIEWED FROM OUTSIDE.
 3. ALL DIMENSIONS TO BE VERIFIED ON SITE BEFORE FABRICATION.

LEGEND :
 x1 ———— DETAIL MARK NO.
 x001 ——— REFER SHEET NO.

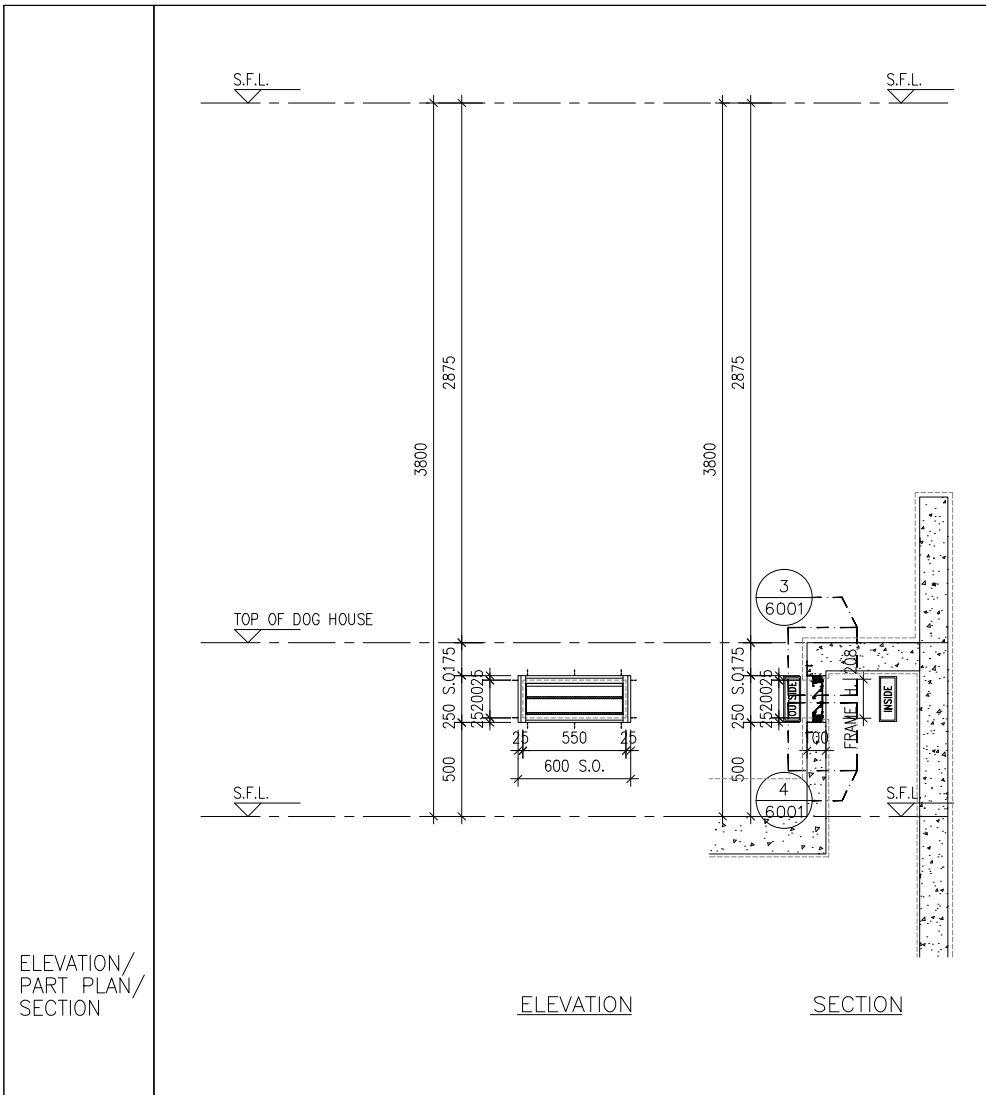
1. F.F.L. — FINISHED FLOOR LEVEL
 2. S.F.L. — STRUCTURAL FLOOR LEVEL
 3. (R) — REVERSED DETAIL

NO.	DATE	REVISED	BY
JOB NO. : J-858			
PROJECT : PROPOSED RESIDENTIAL DEVELOPMENT AT TKOTL 70RP, PHASE 11, LOHAS PARK TSEUNG KWAN O, N.T.			
TITLE : IN-SITU ALUM. LOUVER ALUM. LOUVER SCHEDULE FOR TOWER 3			
DATE : 04-OCT-21		SCALE : 1:40	
DRAWN BY :		CHECKED BY :	
美特鋁質有限公司 MIDI ALUMINIUM FABRICATOR LTD. Units 6-8, Sunray Industrial Centre, 1/F 610 Cha Kwo Ling Road, Kowloon Tel:23489211-4 Fax:(852)2727666			
DWG NO. : J858-IL-2307		REV. : -	

GLAZING AREA:	Required = N/A	Provided = N/A
OPENABLE AREA:	Required = N/A	Provided = N/A
WINDOW MARK		
LOCATION	TOWER 3 TOP ROOF	
SECTION	50mm ALUM. SECTION WITH PVF2 COATING(SLIVER CHAMPAGNE COLOUR)	
GLAZING	N/A	
QUANTITY	1 NOS.	
REMARKS	FREE AREA (%) : 19.34/34.60 = 0.5590 = 55.90%	

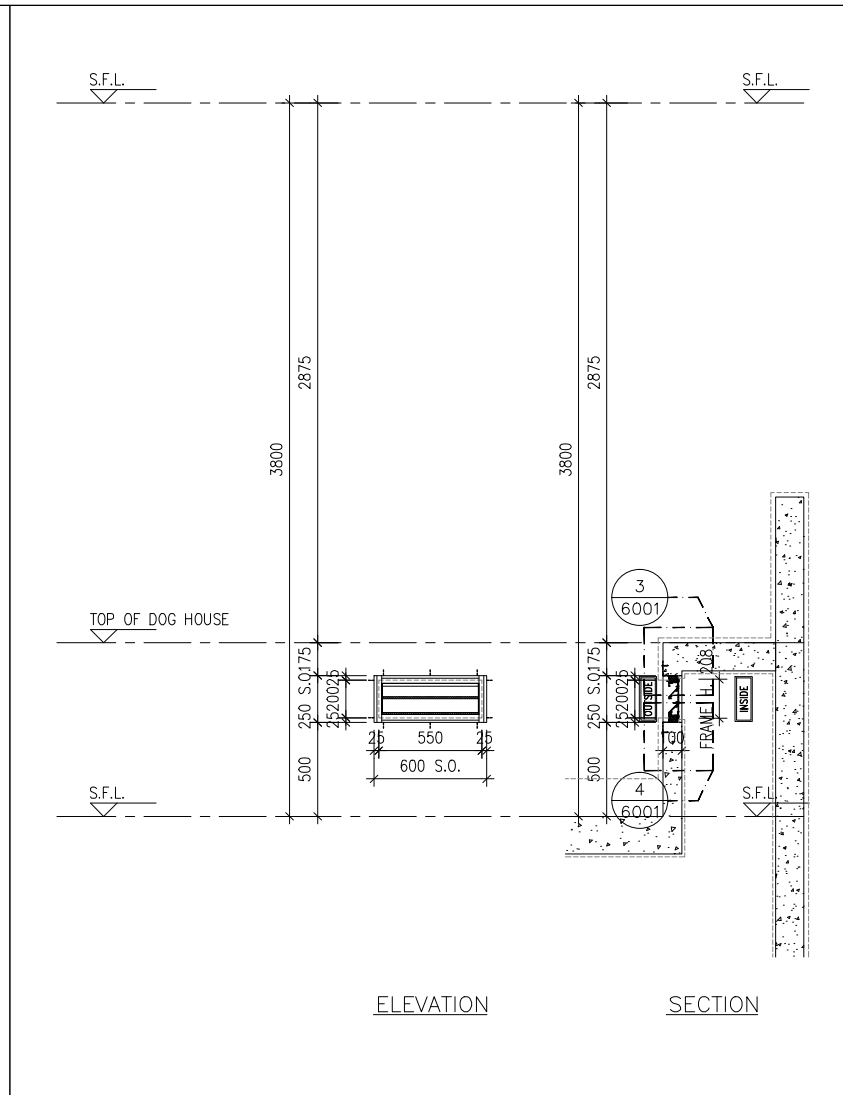
GLAZING AREA:	Required = N/A	Provided = N/A
OPENABLE AREA:	Required = N/A	Provided = N/A
WINDOW MARK		
LOCATION	TOWER 3 ROOF FLOOR	
SECTION	50mm ALUM. SECTION WITH PVF2 COATING(SLIVER CHAMPAGNE COLOUR)	
GLAZING	N/A	
QUANTITY	1 NOS.	
REMARKS	FREE AREA (%) : 35.01/49.10 = 0.7130 = 71.30%	

GLAZING AREA:	Required = N/A	Provided = N/A
OPENABLE AREA:	Required = N/A	Provided = N/A
WINDOW MARK		
LOCATION	TOWER 3 ROOF FLOOR	
SECTION	50mm ALUM. SECTION WITH PVF2 COATING(SLIVER CHAMPAGNE COLOUR)	
GLAZING	N/A	
QUANTITY	1 NOS.	
REMARKS	FREE AREA (%) : 35.01/49.10 = 0.7130 = 71.30%	



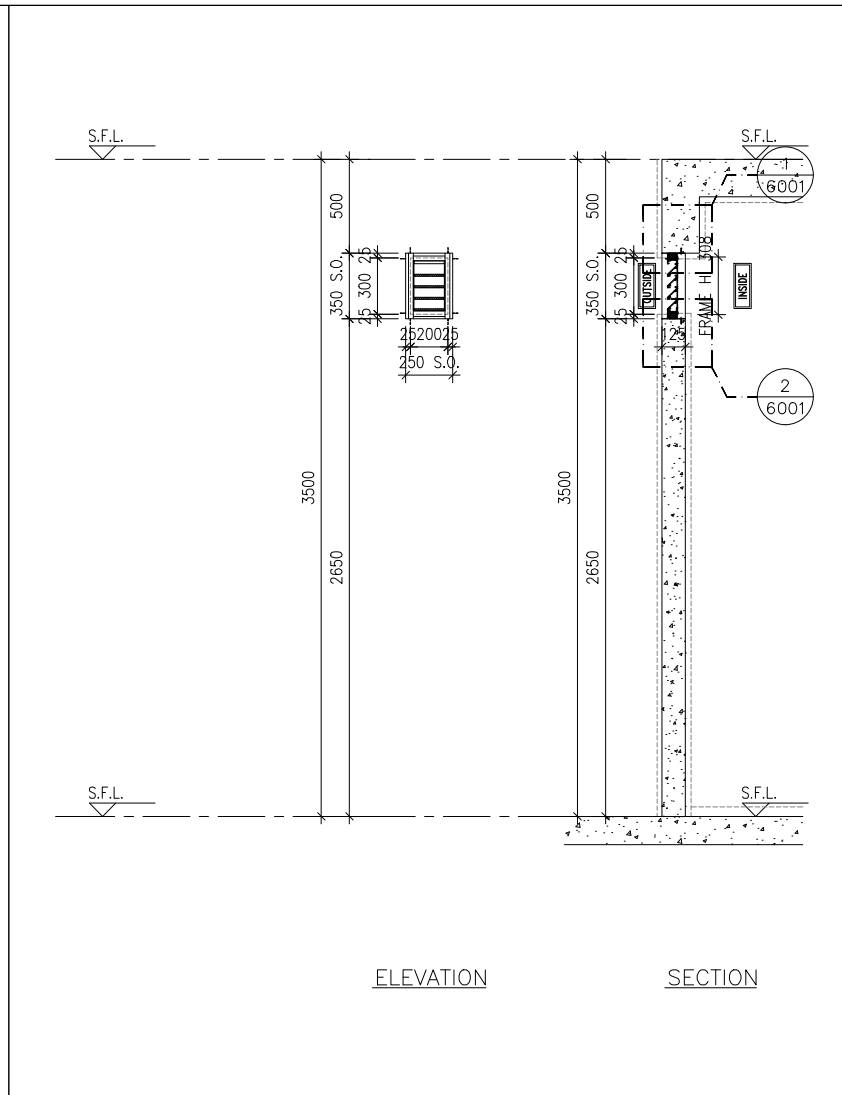
ELEVATION

SECTION



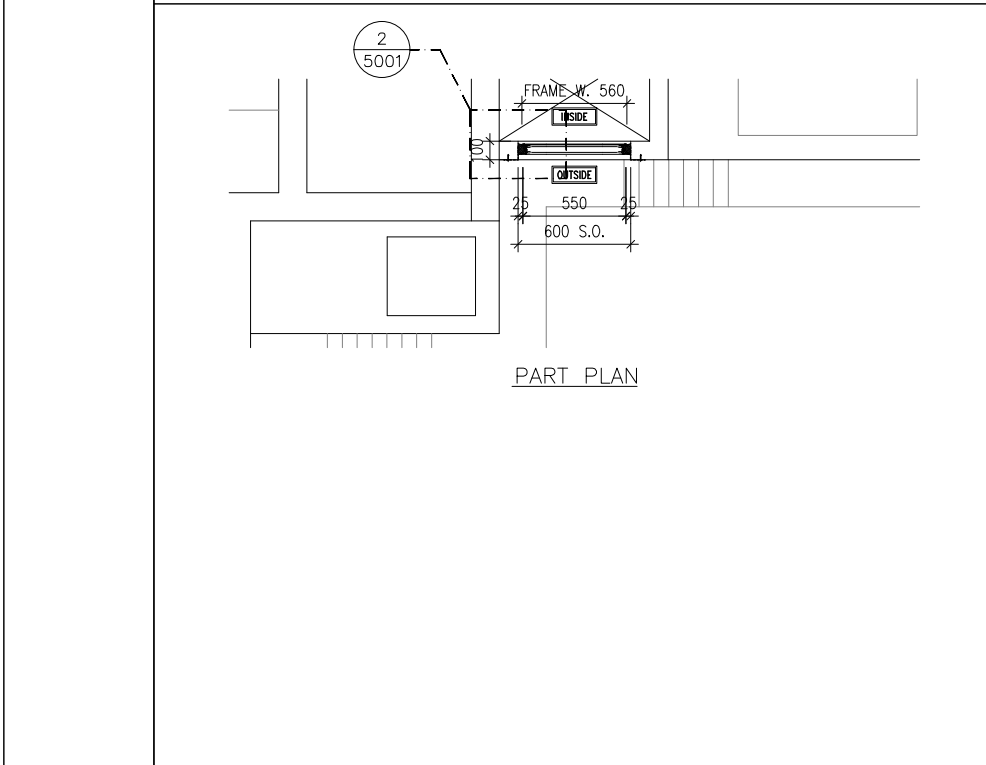
ELEVATION

SECTION

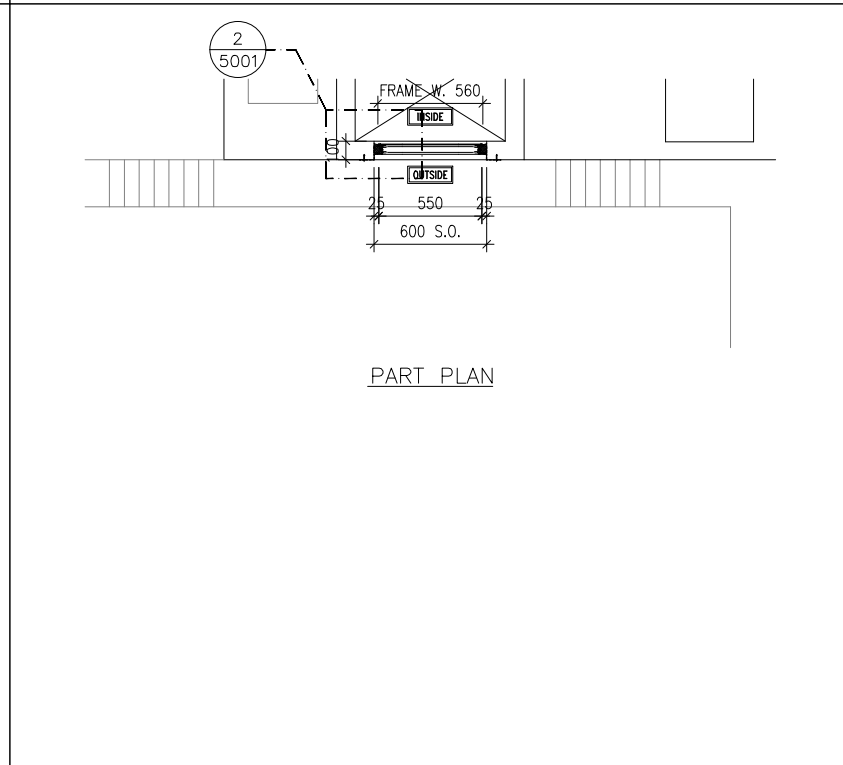


ELEVATION

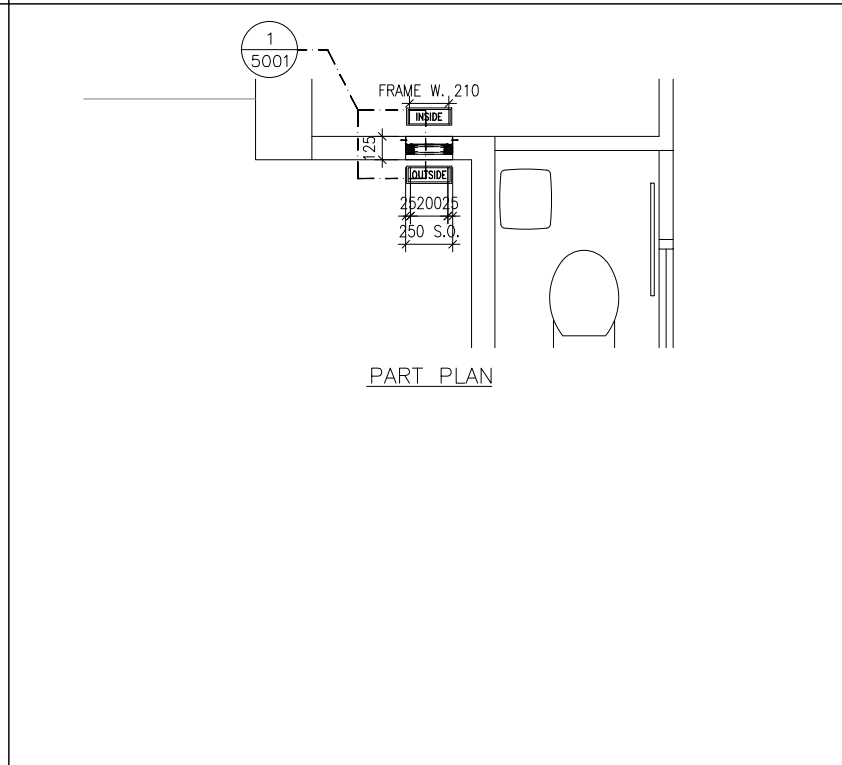
SECTION



PART PLAN



PART PLAN



PART PLAN

GLAZING AREA:	Required = N/A	Provided = N/A
OPENABLE AREA:	Required = N/A	Provided = N/A
WINDOW MARK	13-RP IL16	
LOCATION	TOWER 3 ROOF FLOOR	
SECTION	50mm ALUM. SECTION WITH PVF2 COATING(SLIVER CHAMPAGNE COLOUR)	
GLAZING	N/A	
QUANTITY	1 NOS.	
REMARKS	FREE AREA (%) : 24.21/39.12 = 0.6189 = 61.89%	

GLAZING AREA:	Required = N/A	Provided = N/A
OPENABLE AREA:	Required = N/A	Provided = N/A
WINDOW MARK	13-RP IL17	
LOCATION	TOWER 3 ROOF FLOOR	
SECTION	50mm ALUM. SECTION WITH PVF2 COATING(SLIVER CHAMPAGNE COLOUR)	
GLAZING	N/A	
QUANTITY	1 NOS.	
REMARKS	FREE AREA (%) : 35.01/49.10 = 0.7130 = 71.30%	

GLAZING AREA:	Required = N/A	Provided = N/A
OPENABLE AREA:	Required = N/A	Provided = N/A
WINDOW MARK	13-67 IL18	
LOCATION	TOWER 3 67/F(2A-FLAT A)	
SECTION	50mm ALUM. SECTION WITH PVF2 COATING(SLIVER CHAMPAGNE COLOUR)	
GLAZING	N/A	
QUANTITY	1 NOS.	
REMARKS	FREE AREA (%) : 54.93/71.80 = 0.7650 = 76.50%	

B.D. REF :

CLIENT :
 信和置業有限公司
 Sino Land Company Limited

ARCHITECT :
 ronald lu & partners
 Ronald Lu & Partners (HK) Ltd.
 呂元祥建築師事務所(香港)有限公司

MAIN CONTRACTOR :
 Gammon

STRUCTURAL ENGINEER :
 AECOM

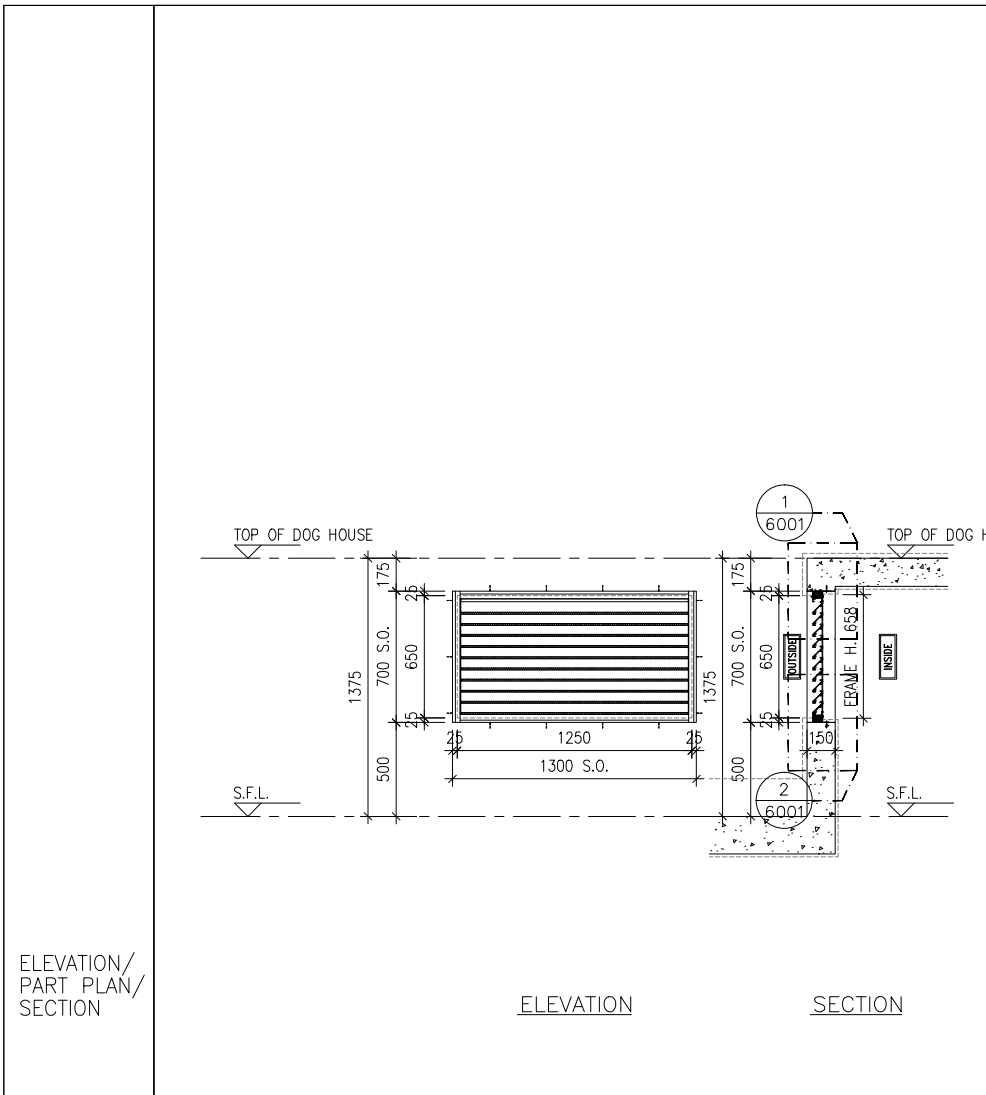
FAÇADE CONSULTANT:
 AECOM

NOTE :
 1. ALL DIMENSIONS ARE IN mm.
 2. ALL ELEVATIONS ARE VIEWED FROM OUTSIDE.
 3. ALL DIMENSIONS TO BE VERIFIED ON SITE BEFORE FABRICATION.

LEGEND :
 (x1) --- DETAIL MARK NO.
 (x001) --- REFER SHEET NO.

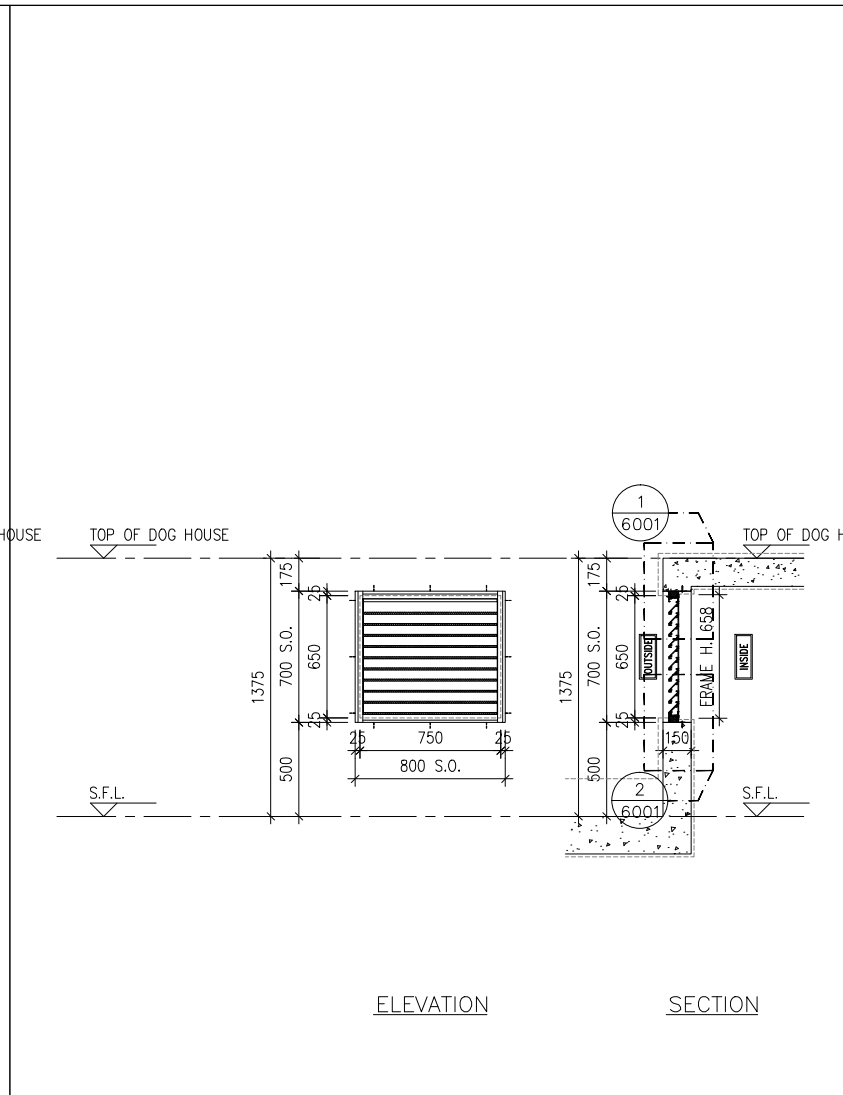
1. F.F.L. --- FINISHED FLOOR LEVEL
 2. S.F.L. --- STRUCTURAL FLOOR LEVEL
 3. (R) --- REVERSED DETAIL

NO.	DATE	REVISED	BY
JOB NO. : J-858			
PROJECT : PROPOSED RESIDENTIAL DEVELOPMENT AT TKOTL 70RP, PHASE 11, LOHAS PARK TSEUNG KWAN O, N.T.			
TITLE : IN-SITU ALUM. LOUVER ALUM. LOUVER SCHEDULE FOR TOWER 3			
DATE : 04-OCT-21	SCALE : 1:40		
DRAWN BY :	CHECKED BY :		
美特鋁質有限公司 MIDI ALUMINIUM FABRICATOR LTD. Units 6-8, Sunray Industrial Centre, 1/F 610 Cha Kwo Ling Road, Kowloon Tel:23489211-4 Fax:(852)27727666			
DWG NO. : J858-IL-2308	REV. : -		



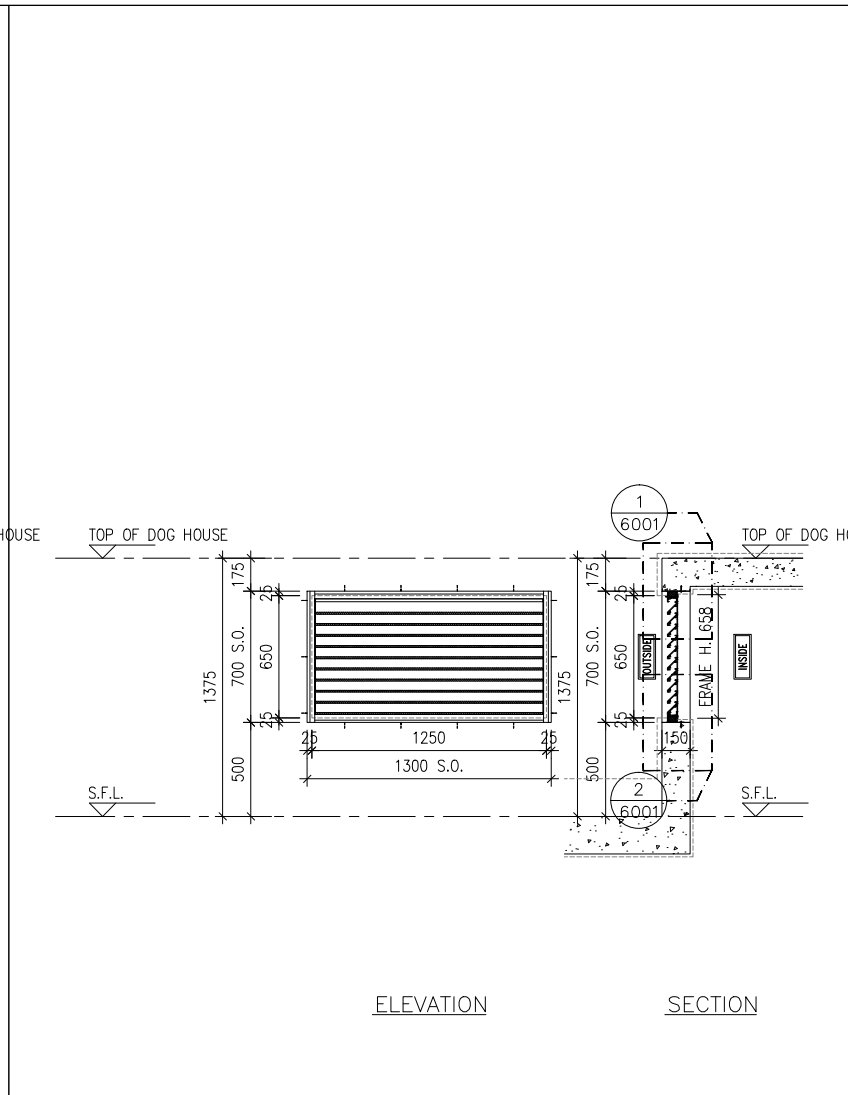
ELEVATION

SECTION



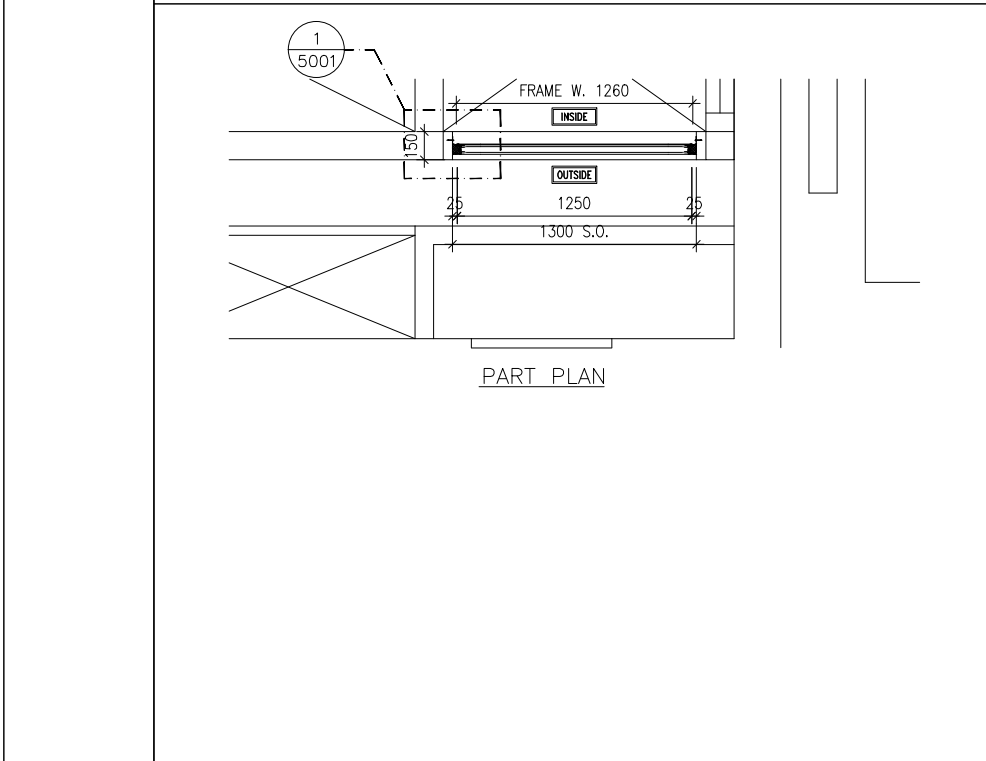
ELEVATION

SECTION

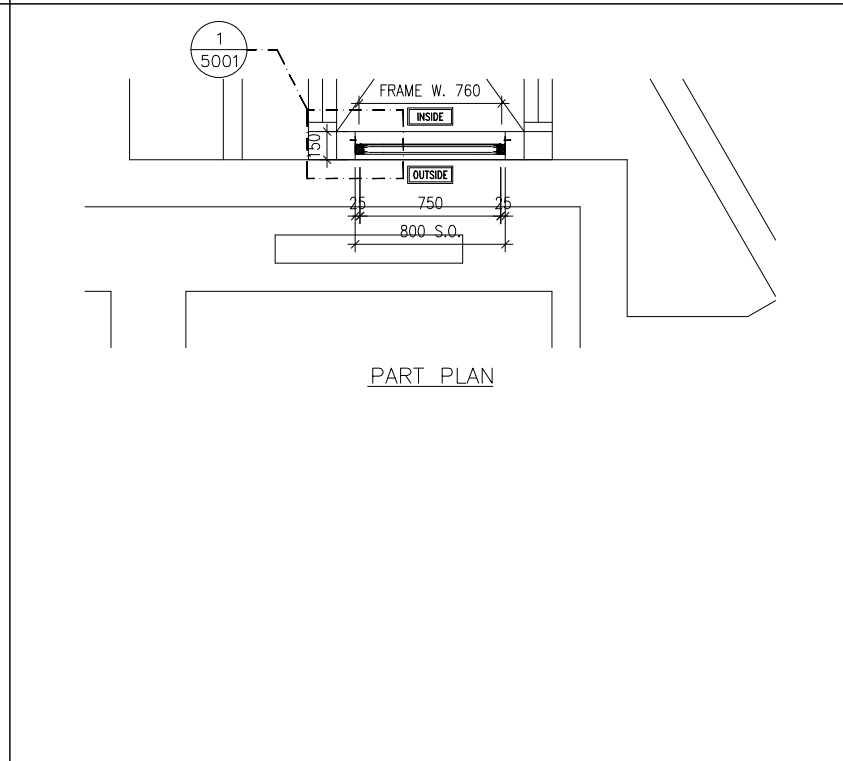


ELEVATION

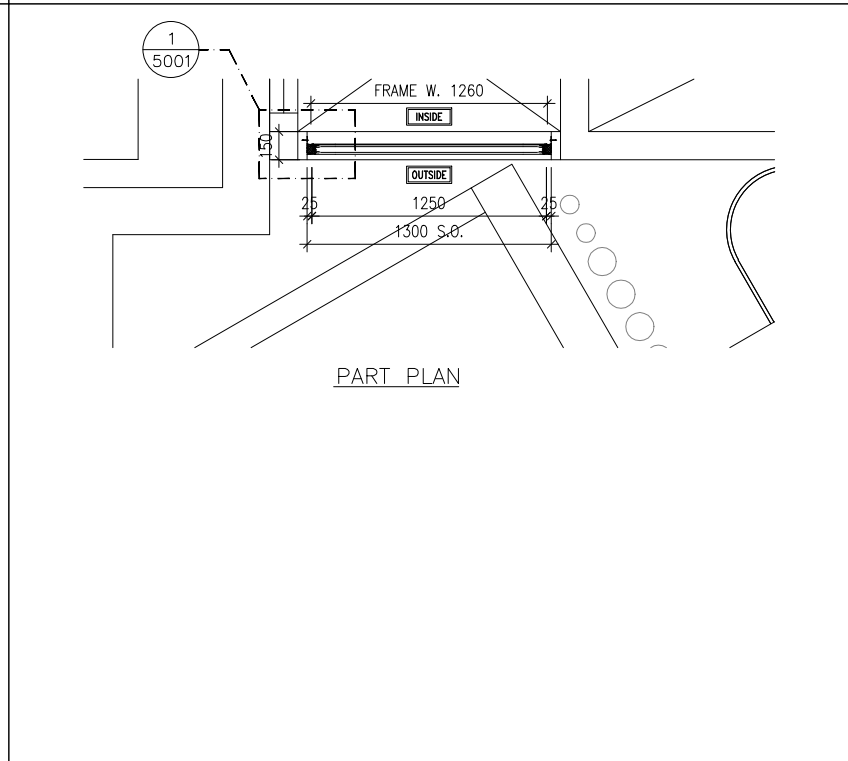
SECTION



PART PLAN



PART PLAN



PART PLAN

B.D. REF :

CLIENT :
 信和置業有限公司
 Sino Land Company Limited

ARCHITECT :
 ronald lu & partners
 Architectural Planners Interior Designers
 Ronald Lu & Partners (HK) Ltd.
 呂元祥建築師事務所 (香港) 有限公司

MAIN CONTRACTOR :
 Gammon

STRUCTURAL ENGINEER :
 AECOM

FACADE CONSULTANT:
 AECOM

NOTE :
 1. ALL DIMENSIONS ARE IN mm.
 2. ALL ELEVATIONS ARE VIEWED FROM OUTSIDE.
 3. ALL DIMENSIONS TO BE VERIFIED ON SITE BEFORE FABRICATION.

LEGEND :
 x1 ———— DETAIL MARK NO.
 x001 ——— REFER SHEET NO.

1. F.F.L. — FINISHED FLOOR LEVEL
 2. S.F.L. — STRUCTURAL FLOOR LEVEL
 3. (R) — REVERSED DETAIL

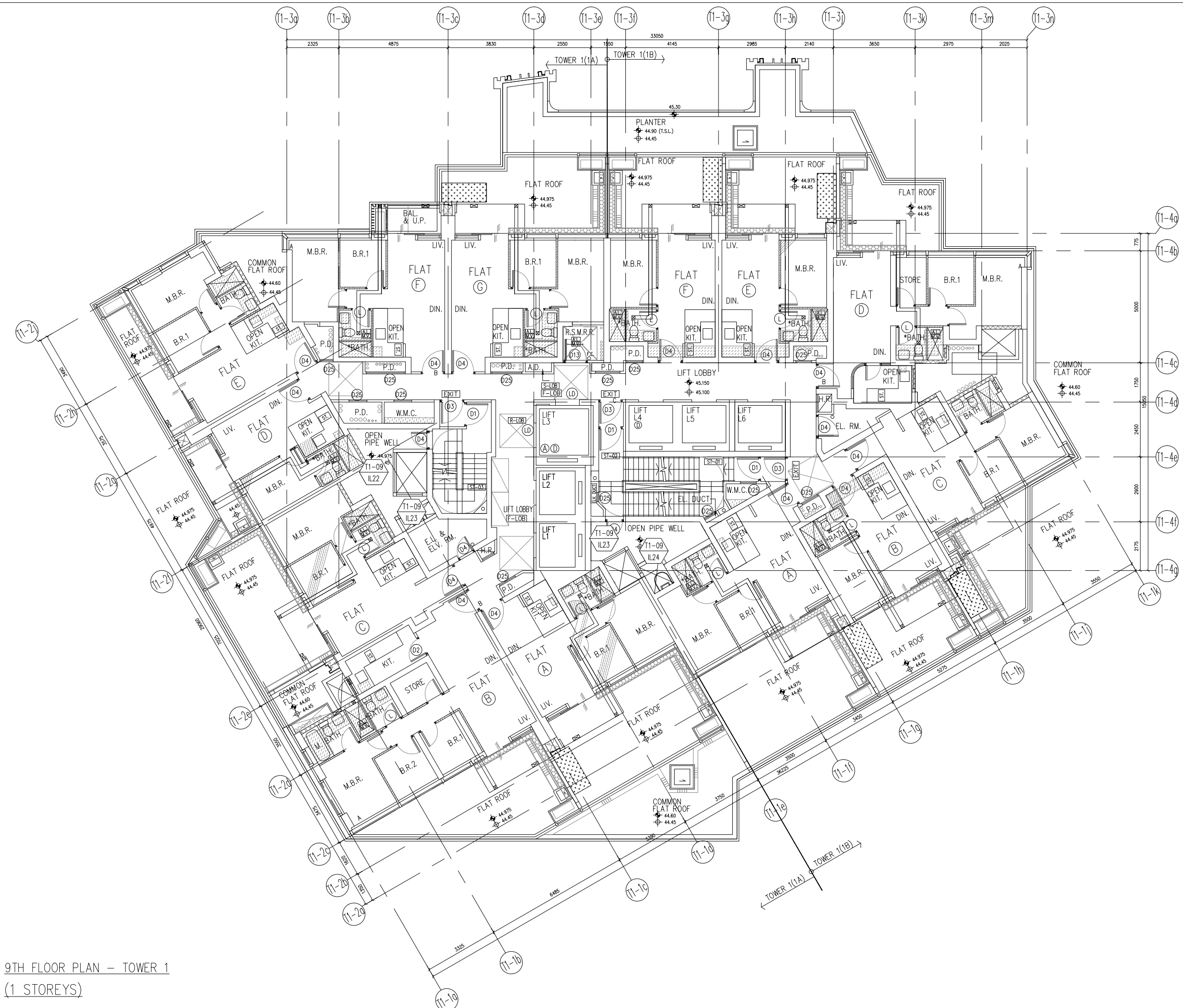
NO.	DATE	REVISED	BY
JOB NO. : J-858			
PROJECT : PROPOSED RESIDENTIAL DEVELOPMENT AT TKOTL 70RP, PHASE 11, LOHAS PARK TSEUNG KWAN O, N.T.			
TITLE : IN-SITU ALUM. LOUVER ALUM. LOUVER SCHEDULE FOR TOWER 3			

GLAZING AREA:	Required = N/A	Provided = N/A
OPENABLE AREA:	Required = N/A	Provided = N/A
WINDOW MARK	13-09 / IL19	
LOCATION	TOWER 3 9/F (OPEN PIPE WELL)	
SECTION	50mm ALUM. SECTION WITH PVF2 COATING (SLIVER CHAMPAGNE COLOUR)	
GLAZING	N/A	
QUANTITY	1 NOS.	
REMARKS	FREE AREA (%) : 19.34/34.60 = 0.5590 = 55.90%	

GLAZING AREA:	Required = N/A	Provided = N/A
OPENABLE AREA:	Required = N/A	Provided = N/A
WINDOW MARK	13-09 / IL20	
LOCATION	TOWER 3 9/F (OPEN PIPE WELL)	
SECTION	50mm ALUM. SECTION WITH PVF2 COATING (SLIVER CHAMPAGNE COLOUR)	
GLAZING	N/A	
QUANTITY	1 NOS.	
REMARKS	FREE AREA (%) : 19.34/34.60 = 0.5590 = 55.90%	

GLAZING AREA:	Required = N/A	Provided = N/A
OPENABLE AREA:	Required = N/A	Provided = N/A
WINDOW MARK	13-09 / IL21	
LOCATION	TOWER 3 9/F (OPEN PIPE WELL)	
SECTION	50mm ALUM. SECTION WITH PVF2 COATING (SLIVER CHAMPAGNE COLOUR)	
GLAZING	N/A	
QUANTITY	1 NOS.	
REMARKS	FREE AREA (%) : 19.34/34.60 = 0.5590 = 55.90%	

DATE : 04-OCT-21	SCALE : 1:40
DRAWN BY :	CHECKED BY :
美特鋁質有限公司 MIDI ALUMINIUM FABRICATOR LTD. Units 6-8, Sunray Industrial Centre, 1/F 610 Cha Kwo Ling Road, Kowloon Tel:23489211-4 Fax:(852)27727666	
DWG NO. : J858-IL-2309	REV. : -



9TH FLOOR PLAN - TOWER 1
(1 STOREYS)

B.D. REF :

CLIENT :
 信和置業有限公司
 Sino Land Company Limited

ARCHITECT :
ronald lu & partners
 Architects, Planners, Interior Designers
 Ronald Lu & Partners (HK) Ltd.
 呂元祥建築師事務所 (香港) 有限公司

MAIN CONTRACTOR :
Gammon

STRUCTURAL ENGINEER :
AECOM

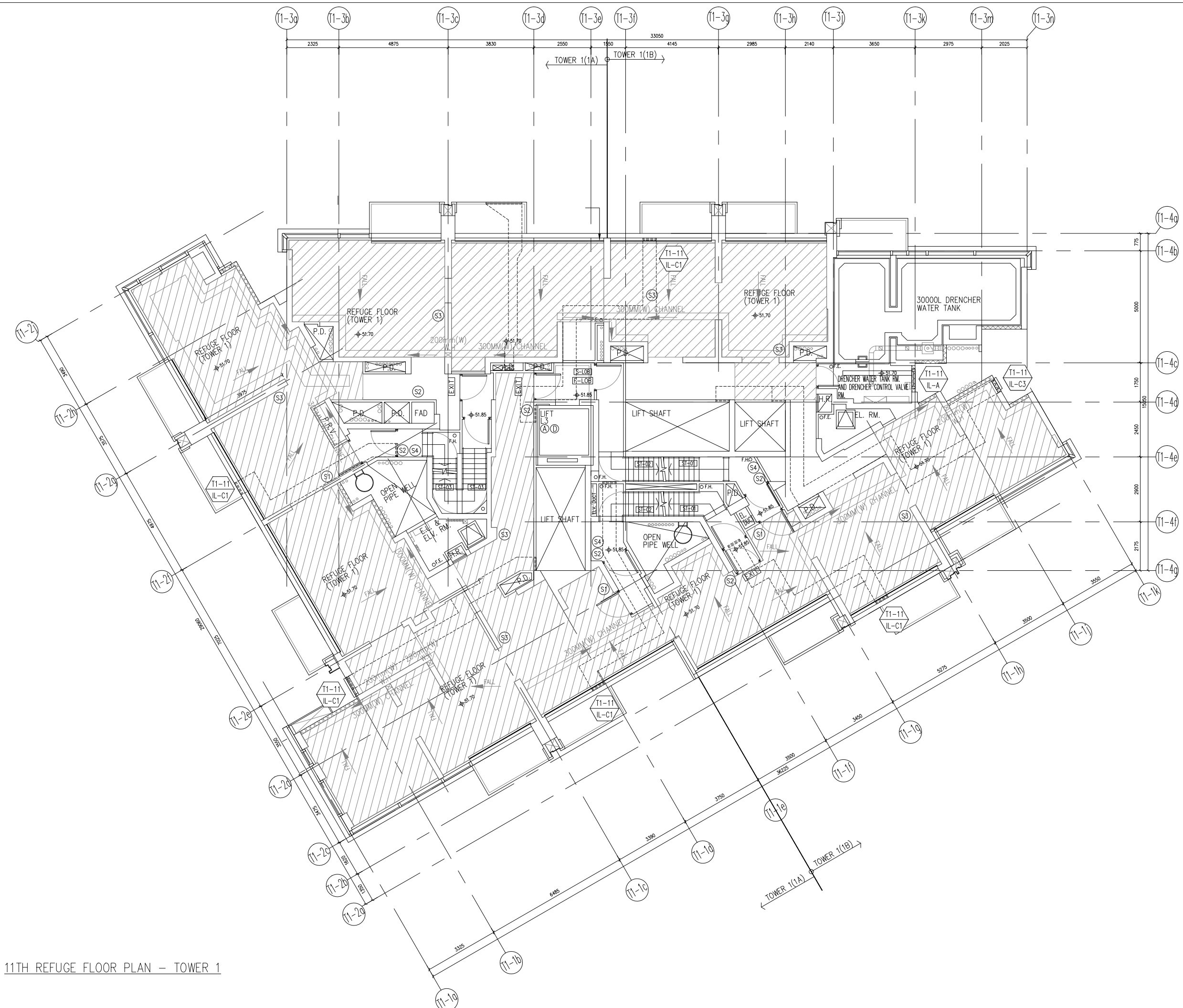
FAÇADE CONSULTANT:
AECOM

NOTE :
 1. ALL DIMENSIONS ARE IN mm.
 2. ALL ELEVATIONS ARE VIEWED FROM OUTSIDE.
 3. ALL DIMENSIONS TO BE VERIFIED ON SITE BEFORE FABRICATION.

LEGEND :
 X1 — DETAIL MARK NO.
 X001 — REFER SHEET NO.

1. F.F.L. — FINISHED FLOOR LEVEL
 2. S.F.L. — STRUCTURAL FLOOR LEVEL
 3. (R) — REVERSED DETAIL

NO.	DATE	REVISED	BY
JOB NO. : J-858			
PROJECT : PROPOSED RESIDENTIAL DEVELOPMENT AT TKOTL 70RP, PHASE 11, LOHAS PARK TSEUNG KWAN O, N.T.			
TITLE : IN-SITU ALUM. LOUVER LAYOUT PLAN TOWER 1 - 9/F			
DATE : 04-OCT-21		SCALE : 1:160	
DRAWN BY :		CHECKED BY :	
美特鋁質有限公司 MIDI ALUMINIUM FABRICATOR LTD. Units 6-8, Sunray Industrial Centre, 1/F 610 Cha Kwo Ling Road, Kowloon Tel:23489211-4 Fax:(852)2727666			
DWG NO. : J858-IL-3101		REV. : -	



11TH REFUGE FLOOR PLAN - TOWER 1

B.D. REF :

CLIENT :
 信和置業有限公司
 Sino Land Company Limited

ARCHITECT :
 ronald lu & partners
 Architect, Planners, Interior Designers
 Ronald Lu & Partners (HK) Ltd.
 呂元祥建築師事務所 (香港) 有限公司

MAIN CONTRACTOR :
 Gammon

STRUCTURAL ENGINEER :
 AECOM

FAÇADE CONSULTANT:
 AECOM

NOTE :
 1. ALL DIMENSIONS ARE IN mm.
 2. ALL ELEVATIONS ARE VIEWED FROM OUTSIDE.
 3. ALL DIMENSIONS TO BE VERIFIED ON SITE BEFORE FABRICATION.

LEGEND :
 X1 - DETAIL MARK NO.
 X001 - REFER SHEET NO.
 1. F.F.L. -- FINISHED FLOOR LEVEL
 2. S.F.L. -- STRUCTURAL FLOOR LEVEL
 3. (R) -- REVERSED DETAIL

NO.	DATE	REVISED	BY

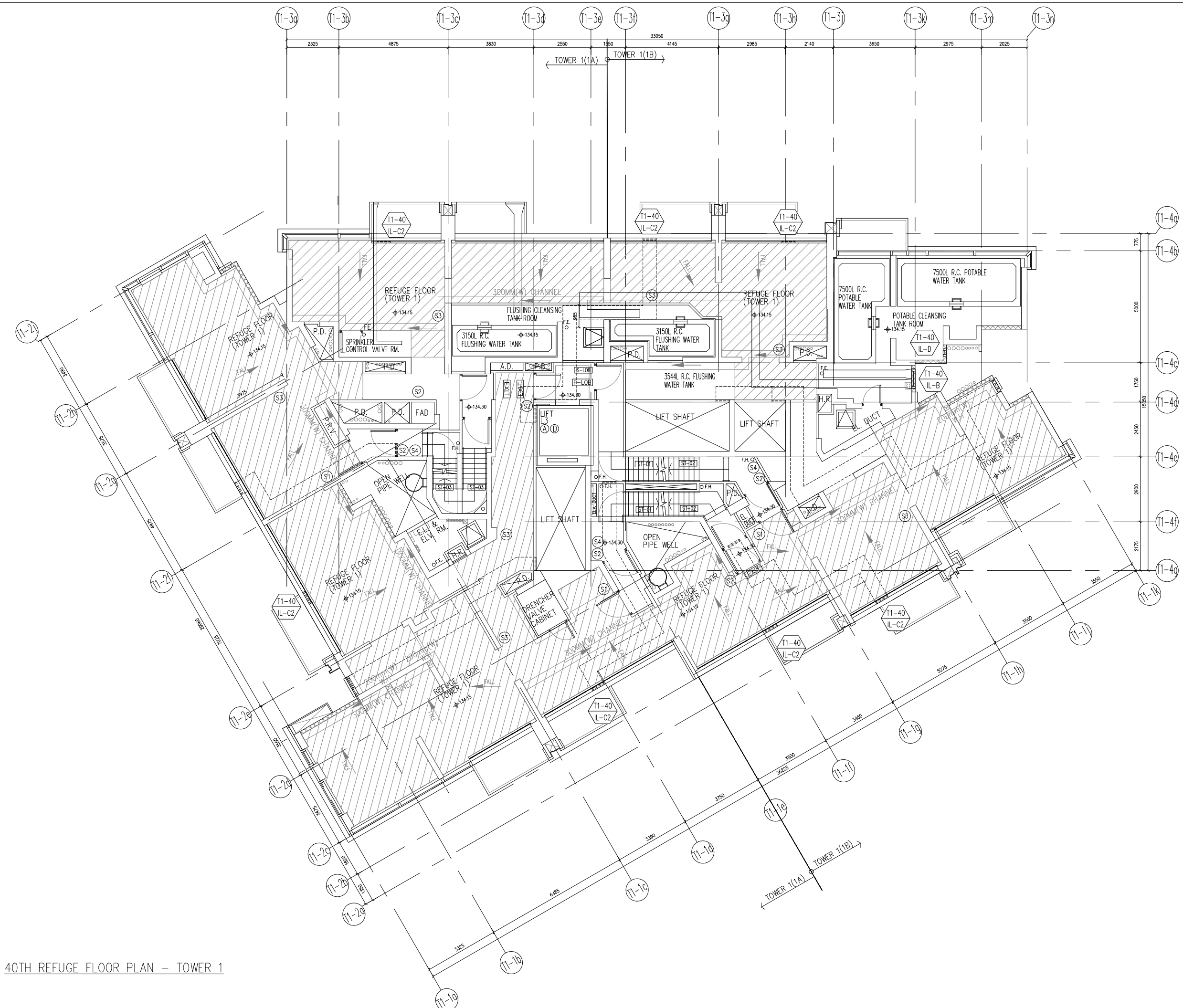
JOB NO. : J-858
 PROJECT : PROPOSED RESIDENTIAL DEVELOPMENT AT TKOTL 70RP, PHASE 11, LOHAS PARK TSEUNG KWAN O, N.T.

TITLE :
 IN-SITU ALUM. LOUVER LAYOUT PLAN
 TOWER 1 - 11/F

DATE : 04-OCT-21 SCALE : 1:160
 DRAWN BY : CHECKED BY :

美特鋁質有限公司
 MIDI ALUMINIUM FABRICATOR LTD.
 Units 6-8, Sunray Industrial Centre, 1/F
 610 Cha Kwo Ling Road, Kowloon
 Tel:23489211-4 Fax:(852)2727666

DWG NO. : J858-IL-3102 REV. : -



40TH REFUGE FLOOR PLAN - TOWER 1

B.D. REF :

CLIENT :
 信和置業有限公司
 Sino Land Company Limited

ARCHITECT :
ronald lu & partners
 Architects, Planners, Interior Designers
Ronald Lu & Partners (HK) Ltd.
 呂元祥建築師事務所 (香港) 有限公司

MAIN CONTRACTOR :
Gammon

STRUCTURAL ENGINEER :
AECOM

FAÇADE CONSULTANT:
AECOM

NOTE :
 1. ALL DIMENSIONS ARE IN mm.
 2. ALL ELEVATIONS ARE VIEWED FROM OUTSIDE.
 3. ALL DIMENSIONS TO BE VERIFIED ON SITE BEFORE FABRICATION.

LEGEND :
 X1 --- DETAIL MARK NO.
 X001 --- REFER SHEET NO.
 1. F.F.L. --- FINISHED FLOOR LEVEL
 2. S.F.L. --- STRUCTURAL FLOOR LEVEL
 3. (R) --- REVERSED DETAIL

NO.	DATE	REVISED	BY

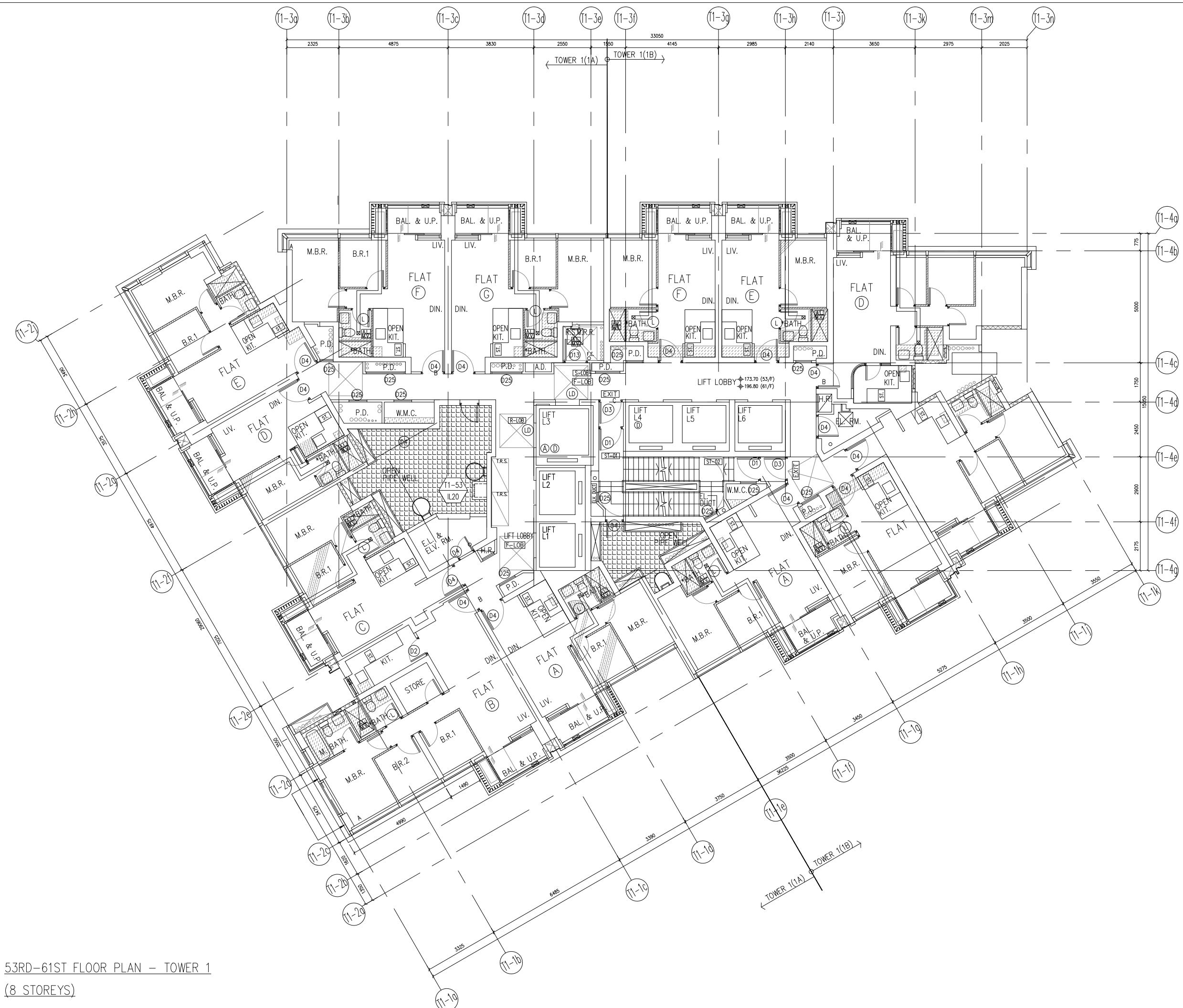
JOB NO. : J-858
 PROJECT : PROPOSED RESIDENTIAL DEVELOPMENT AT TKOTL 70RP, PHASE 11, LOHAS PARK TSEUNG KWAN O, N.T.

TITLE :
 IN-SITU ALUM. LOUVER LAYOUT PLAN
 TOWER 1 - 40/F

DATE : 04-OCT-21 SCALE : 1:160
 DRAWN BY : CHECKED BY :

美特鋁質有限公司
MIDI ALUMINIUM FABRICATOR LTD.
 Units 6-8, Sunray Industrial Centre, 1/F
 610 Cha Kwo Ling Road, Kowloon
 Tel:23489211-4 Fax:(852)2727666

DWG NO. : J858-IL-3103 REV. : -



53RD-61ST FLOOR PLAN - TOWER 1
(8 STOREYS)

B.D. REF :

CLIENT :
 信和置業有限公司
 Sino Land Company Limited

ARCHITECT :
 ronald lu & partners
 Architect, Planners, Interior Designers
 Ronald Lu & Partners (HK) Ltd.
 呂元祥建築師事務所 (香港) 有限公司

MAIN CONTRACTOR :
 Gammon

STRUCTURAL ENGINEER :
 AECOM

FAÇADE CONSULTANT:
 AECOM

NOTE :
 1. ALL DIMENSIONS ARE IN mm.
 2. ALL ELEVATIONS ARE VIEWED FROM OUTSIDE.
 3. ALL DIMENSIONS TO BE VERIFIED ON SITE BEFORE FABRICATION.

LEGEND :
 x1 -> DETAIL MARK NO.
 x001 -> REFER SHEET NO.
 1. F.F.L. -- FINISHED FLOOR LEVEL
 2. S.F.L. -- STRUCTURAL FLOOR LEVEL
 3. (R) -- REVERSED DETAIL

NO.	DATE	REVISED	BY

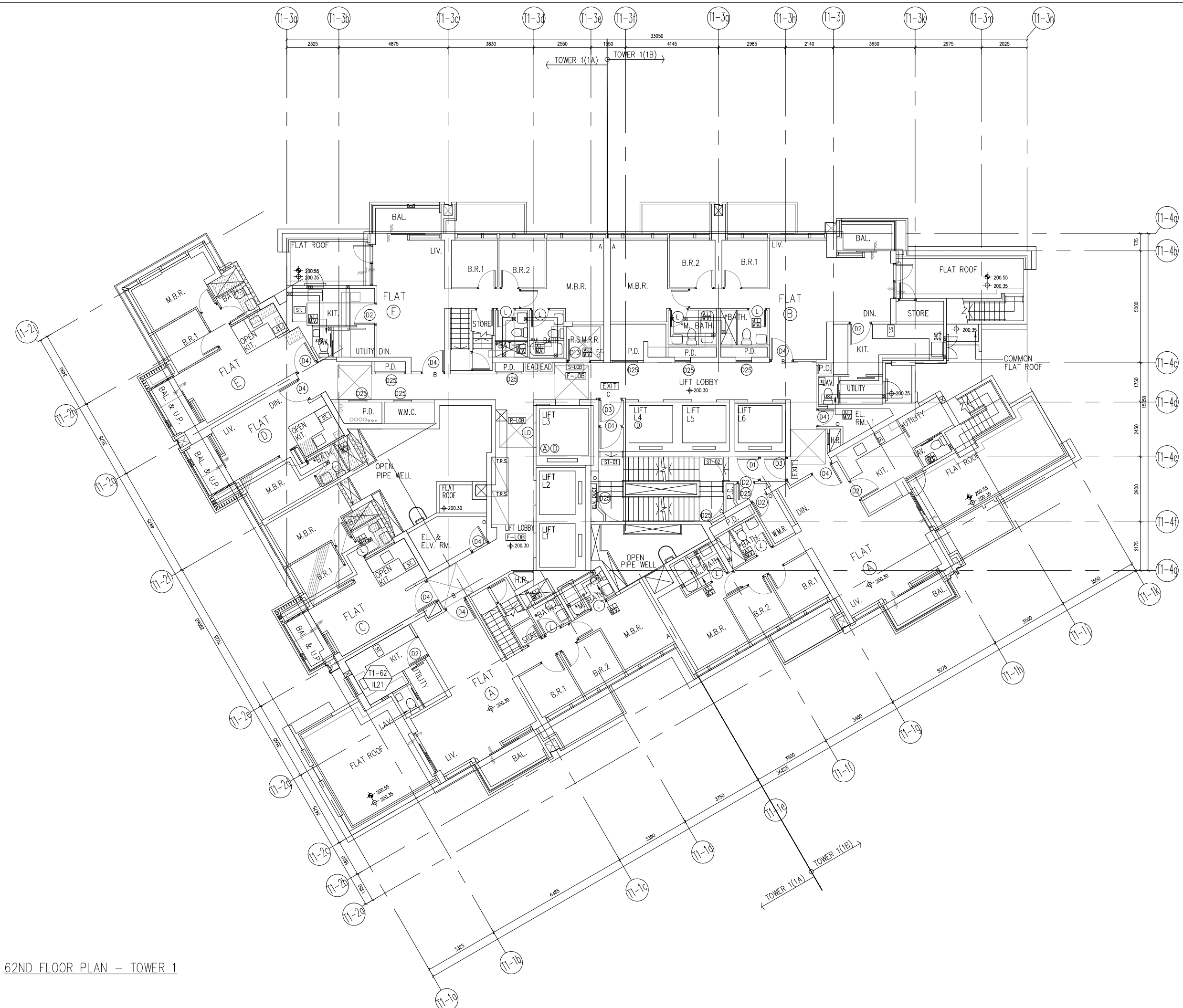
JOB NO. : J-858
 PROJECT : PROPOSED RESIDENTIAL DEVELOPMENT AT TKOTL 70RP, PHASE 11, LOHAS PARK TSEUNG KWAN O, N.T.

TITLE :
 IN-SITU ALUM. LOUVER LAYOUT PLAN
 TOWER 1 - 53/F

DATE : 04-OCT-21 SCALE : 1:160
 DRAWN BY : CHECKED BY :

美特鋁質有限公司
 MIDI ALUMINIUM FABRICATOR LTD.
 Units 6-8, Sunray Industrial Centre, 1/F
 610 Cha Kwo Ling Road, Kowloon
 Tel:23489211-4 Fax:(852)27727666

DWG NO. : J858-IL-3104 REV. : -



62ND FLOOR PLAN - TOWER 1

B.D. REF :

CLIENT :
 信和置業有限公司
 Sino Land Company Limited

ARCHITECT :
ronald lu & partners
 Architects, Planners, Interior Designers
 Ronald Lu & Partners (HK) Ltd.
 呂元祥建築師事務所 (香港) 有限公司

MAIN CONTRACTOR :
Gammon

STRUCTURAL ENGINEER :
AECOM

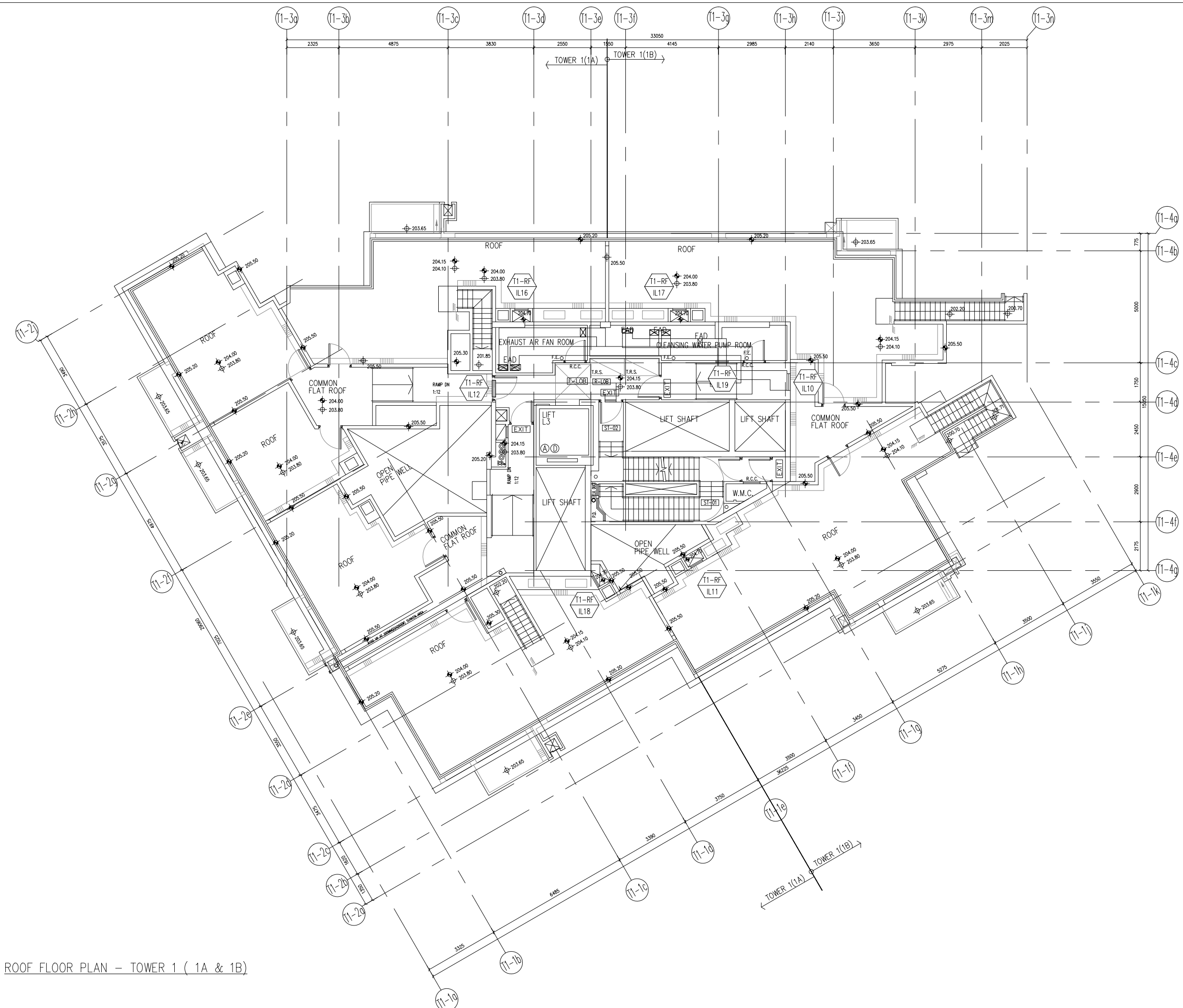
FAÇADE CONSULTANT:
AECOM

NOTE :
 1. ALL DIMENSIONS ARE IN mm.
 2. ALL ELEVATIONS ARE VIEWED FROM OUTSIDE.
 3. ALL DIMENSIONS TO BE VERIFIED ON SITE BEFORE FABRICATION.

LEGEND :
 X1 ———— DETAIL MARK NO.
 X001 ——— REFER SHEET NO.

1. F.F.L. — FINISHED FLOOR LEVEL
 2. S.F.L. — STRUCTURAL FLOOR LEVEL
 3. (R) — REVERSED DETAIL

NO.	DATE	REVISED	BY
JOB NO. : J-858			
PROJECT : PROPOSED RESIDENTIAL DEVELOPMENT AT TKOTL 70RP, PHASE 11, LOHAS PARK TSEUNG KWAN O, N.T.			
TITLE : IN-SITU ALUM. LOUVER LAYOUT PLAN TOWER 1 - 62/F			
DATE : 04-OCT-21		SCALE : 1:160	
DRAWN BY :		CHECKED BY :	
美特鋁質有限公司 MIDI ALUMINIUM FABRICATOR LTD. Units 6-8, Sunray Industrial Centre, 1/F 610 Cha Kwo Ling Road, Kowloon Tel:23489211-4 Fax:(852)2727666			
DWG NO. : J858-IL-3105		REV. : -	



ROOF FLOOR PLAN - TOWER 1 (1A & 1B)

B.D. REF :

CLIENT :
 信和置業有限公司
 Sino Land Company Limited

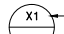
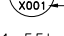
ARCHITECT :
 ronald lu & partners
 Architects, Planners, Interior Designers
 Ronald Lu & Partners (HK) Ltd.
 呂元祥建築師事務所 (香港) 有限公司

MAIN CONTRACTOR :
 Gammon

STRUCTURAL ENGINEER :
 AECOM

FAÇADE CONSULTANT:
 AECOM

NOTE :
 1. ALL DIMENSIONS ARE IN mm.
 2. ALL ELEVATIONS ARE VIEWED FROM OUTSIDE.
 3. ALL DIMENSIONS TO BE VERIFIED ON SITE BEFORE FABRICATION.

LEGEND :
 x1 — DETAIL MARK NO.
 x001 — REFER SHEET NO.
 1. F.F.L. — FINISHED FLOOR LEVEL
 2. S.F.L. — STRUCTURAL FLOOR LEVEL
 3. (R) — REVERSED DETAIL

NO.	DATE	REVISED	BY

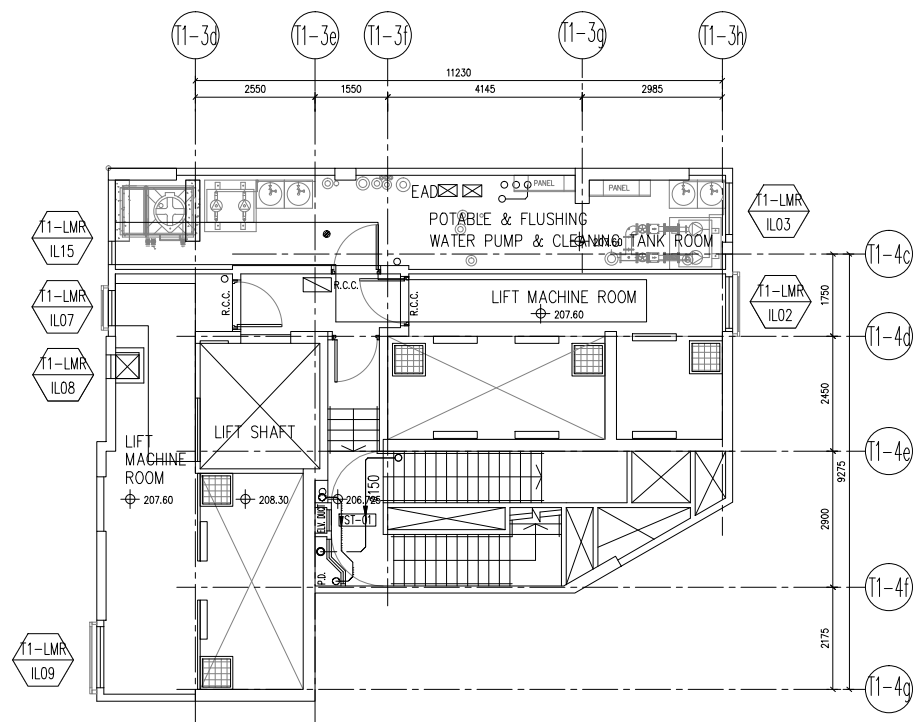
JOB NO. : J-858
 PROJECT : PROPOSED RESIDENTIAL DEVELOPMENT AT TKOTL 70RP, PHASE 11, LOHAS PARK TSEUNG KWAN O, N.T.

TITLE :
 IN-SITU ALUM. LOUVER LAYOUT PLAN
 TOWER 1 - ROOF FLOOR

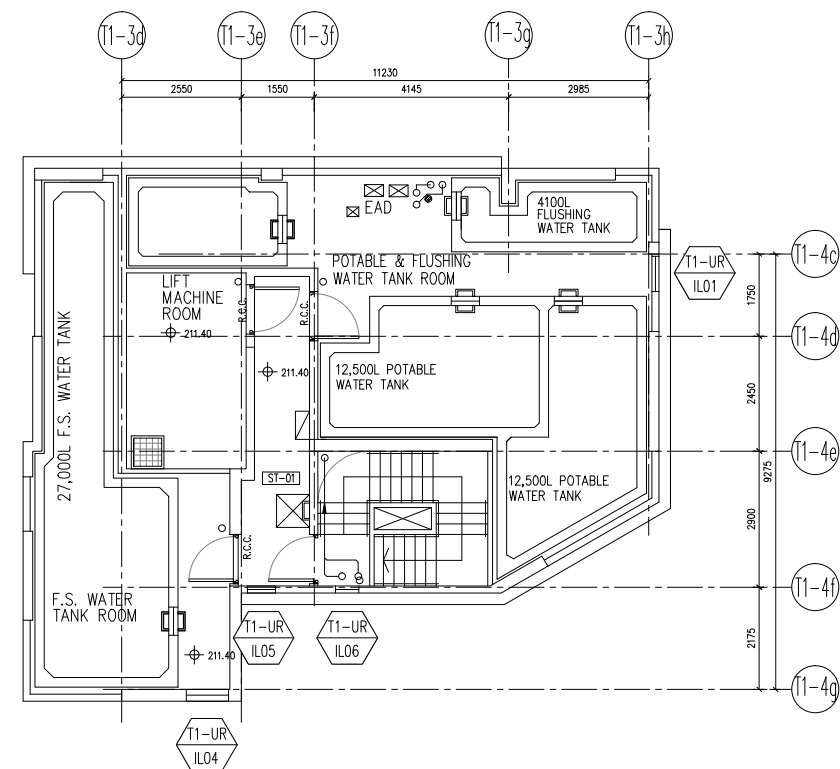
DATE : 04-OCT-21 SCALE : 1:160
 DRAWN BY : CHECKED BY :

 美特鋁質有限公司
 MIDI ALUMINIUM FABRICATOR LTD.
 Units 6-8, Sunray Industrial Centre, 1/F
 610 Cha Kwo Ling Road, Kowloon
 Tel:23489211-4 Fax:(852)2727666

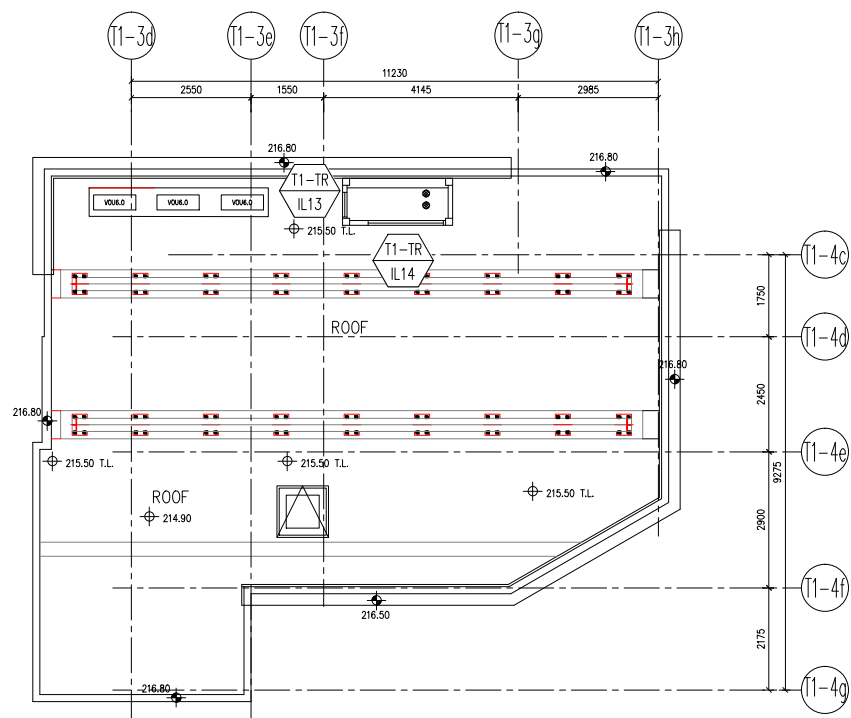
DWG NO. : J858-IL-3106 REV. : -



LIFT MACHINE ROOM PLAN - TOWER 1



UPPER ROOF PLAN - TOWER 1



TOP ROOF PLAN - TOWER 1

B.D. REF :

CLIENT :

信和置業有限公司
Sino Land Company Limited

ARCHITECT :

ronald lu & partners
Architects, Planners, Interior Designers
Ronald Lu & Partners (HK) Ltd.
呂元祥建築師事務所 (香港) 有限公司

MAIN CONTRACTOR :

Gammon

STRUCTURAL ENGINEER :

AECOM

FAÇADE CONSULTANT:

AECOM

NOTE :

1. ALL DIMENSIONS ARE IN mm.
2. ALL ELEVATIONS ARE VIEWED FROM OUTSIDE.
3. ALL DIMENSIONS TO BE VERIFIED ON SITE BEFORE FABRICATION.

LEGEND :

- x1 - DETAIL MARK NO.
- x001 - REFER SHEET NO.

1. F.F.L. -- FINISHED FLOOR LEVEL
2. S.F.L. -- STRUCTURAL FLOOR LEVEL
3. (R) -- REVERSED DETAIL

NO.	DATE	REVISED	BY

JOB NO. : J-858

PROJECT : PROPOSED RESIDENTIAL DEVELOPMENT AT TKOTL 70RP, PHASE 11, LOHAS PARK TSEUNG KWAN O, N.T.

TITLE : IN-SITU ALUM. LOUVER LAYOUT PLAN TOWER 1 - UPPER ROOF/ LIFT MACHINE ROOM/UPPER ROOF

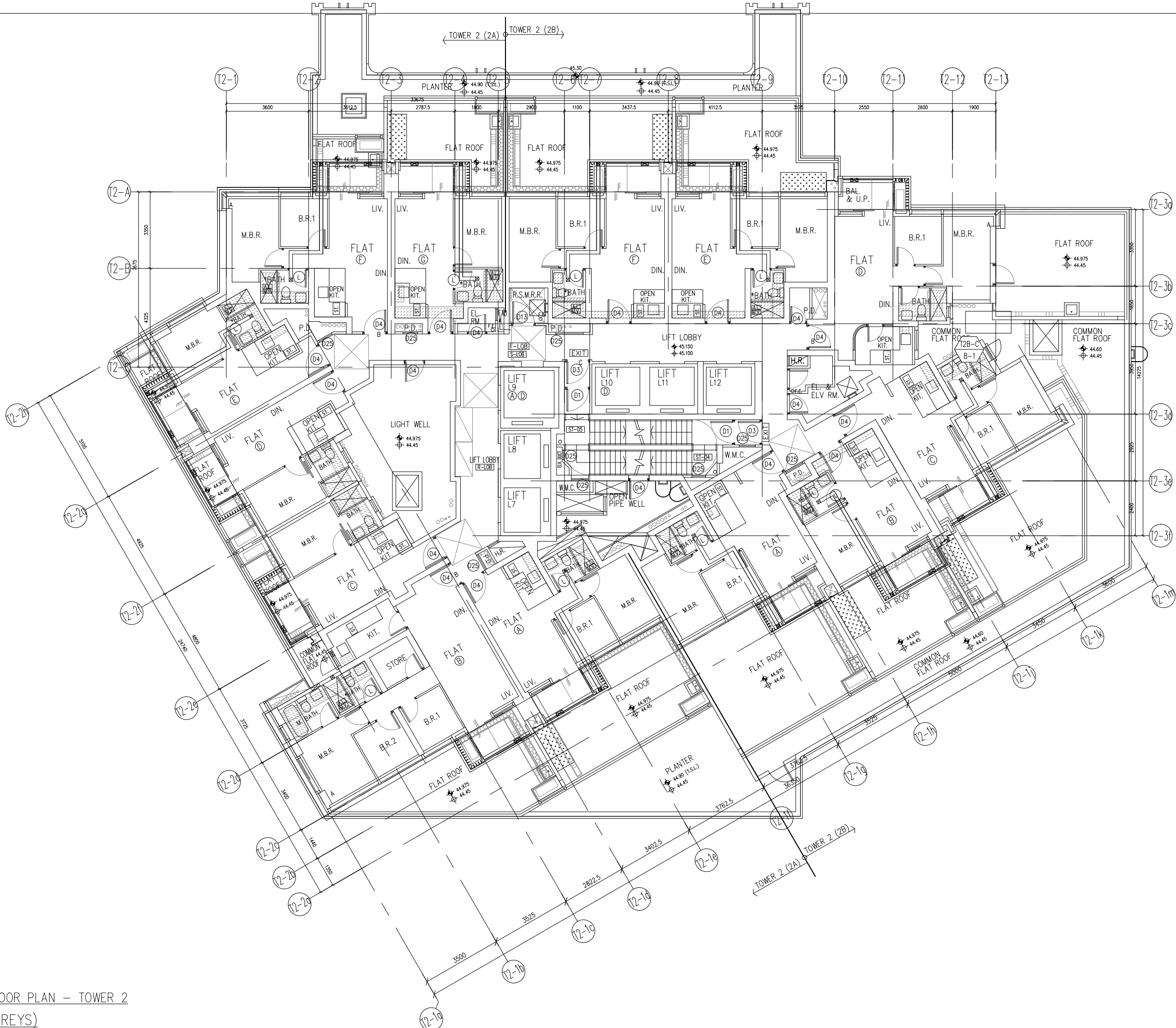
DATE : 04-OCT-21 SCALE : 1:160

DRAWN BY : CHECKED BY :

美特鋁質有限公司
MIDI ALUMINIUM FABRICATOR LTD.
Units 6-8, Sunray Industrial Centre, 1/F
610 Cha Kwo Ling Road, Kowloon
Tel:23489211-4 Fax:(852)2727666

DWG NO. : J858-IL-3107

REV. : -



9TH FLOOR PLAN - TOWER 2
(1 STOREYS)

B.D. REF :

CLIENT :
 信和置業有限公司
 Sino Land Company Limited

ARCHITECT :
 **ronald lu & partners**
 Architects, Planners, Interior Designers
 Ronald Lu & Partners (HK) Ltd.
 呂元祥建築師事務所 (香港) 有限公司

MAIN CONTRACTOR :
 **Gammon**

STRUCTURAL ENGINEER :
 **AECOM**

FAÇADE CONSULTANT:
 **AECOM**

NOTE :
 1. ALL DIMENSIONS ARE IN mm.
 2. ALL ELEVATIONS ARE VIEWED FROM OUTSIDE.
 3. ALL DIMENSIONS TO BE VERIFIED ON SITE BEFORE FABRICATION.

LEGEND :
 X1 → DETAIL MARK NO.
 X001 → REFER SHEET NO.
 1. F.F.L. -- FINISHED FLOOR LEVEL
 2. S.F.L. -- STRUCTURAL FLOOR LEVEL
 3. (R) -- REVERSED DETAIL

NO.	DATE	REVISED	BY

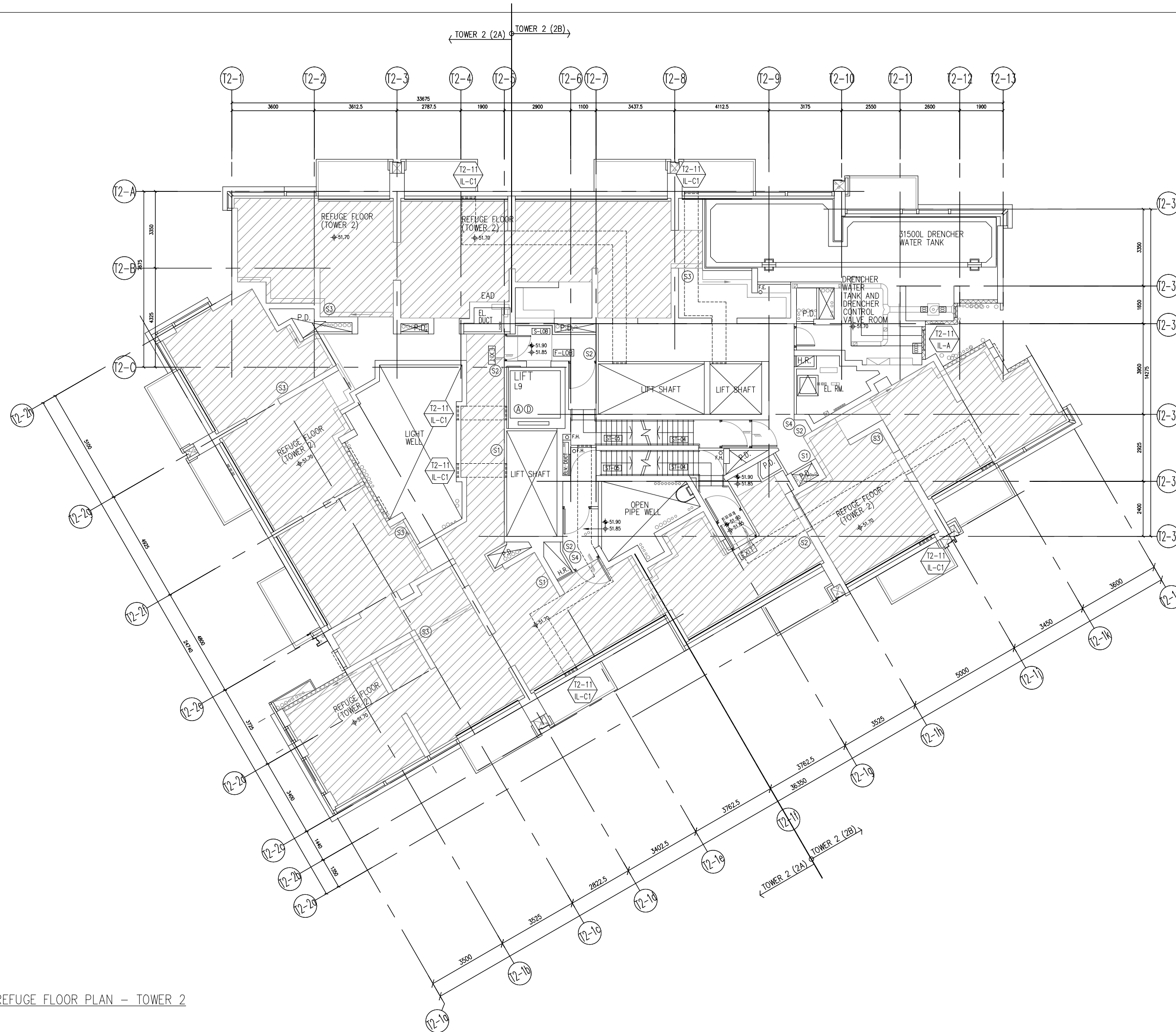
JOB NO. : J-858
 PROJECT : PROPOSED RESIDENTIAL DEVELOPMENT AT TKOTL 70RP, PHASE 11, LOHAS PARK TSEUNG KWAN O, N.T.

TITLE :
 IN-SITU ALUM. LOUVER LAYOUT PLAN
 9/F - TOWER 2

DATE : 04-OCT-21 SCALE : 1:160
 DRAWN BY : CHECKED BY :

 **美特鋁質有限公司**
 MIDI ALUMINIUM FABRICATOR LTD.
 Units 6-8, Sunray Industrial Centre, 1/F
 610 Cha Kwo Ling Road, Kowloon
 Tel:23489211-4 Fax:(852)2727666

DWG NO. : J858-IL-3201 REV. : -



11TH REFUGE FLOOR PLAN - TOWER 2

B.D. REF :

CLIENT :
 信和置業有限公司
 Sino Land Company Limited

ARCHITECT :
 ronald lu & partners
 Architects, Planners, Interior Designers
 Ronald Lu & Partners (HK) Ltd.
 呂元祥建築師事務所 (香港) 有限公司

MAIN CONTRACTOR :
 Gammon

STRUCTURAL ENGINEER :
 AECOM

FAÇADE CONSULTANT:
 AECOM

- NOTE :
1. ALL DIMENSIONS ARE IN mm.
 2. ALL ELEVATIONS ARE VIEWED FROM OUTSIDE.
 3. ALL DIMENSIONS TO BE VERIFIED ON SITE BEFORE FABRICATION.

- LEGEND :
- (x1) --- DETAIL MARK NO.
 - (x001) --- REFER SHEET NO.
1. F.F.L. --- FINISHED FLOOR LEVEL
 2. S.F.L. --- STRUCTURAL FLOOR LEVEL
 3. (R) --- REVERSED DETAIL

NO.	DATE	REVISED	BY

JOB NO. : J-858
 PROJECT : PROPOSED RESIDENTIAL DEVELOPMENT AT TKOTL 70RP, PHASE 11, LOHAS PARK TSEUNG KWAN O, N.T.

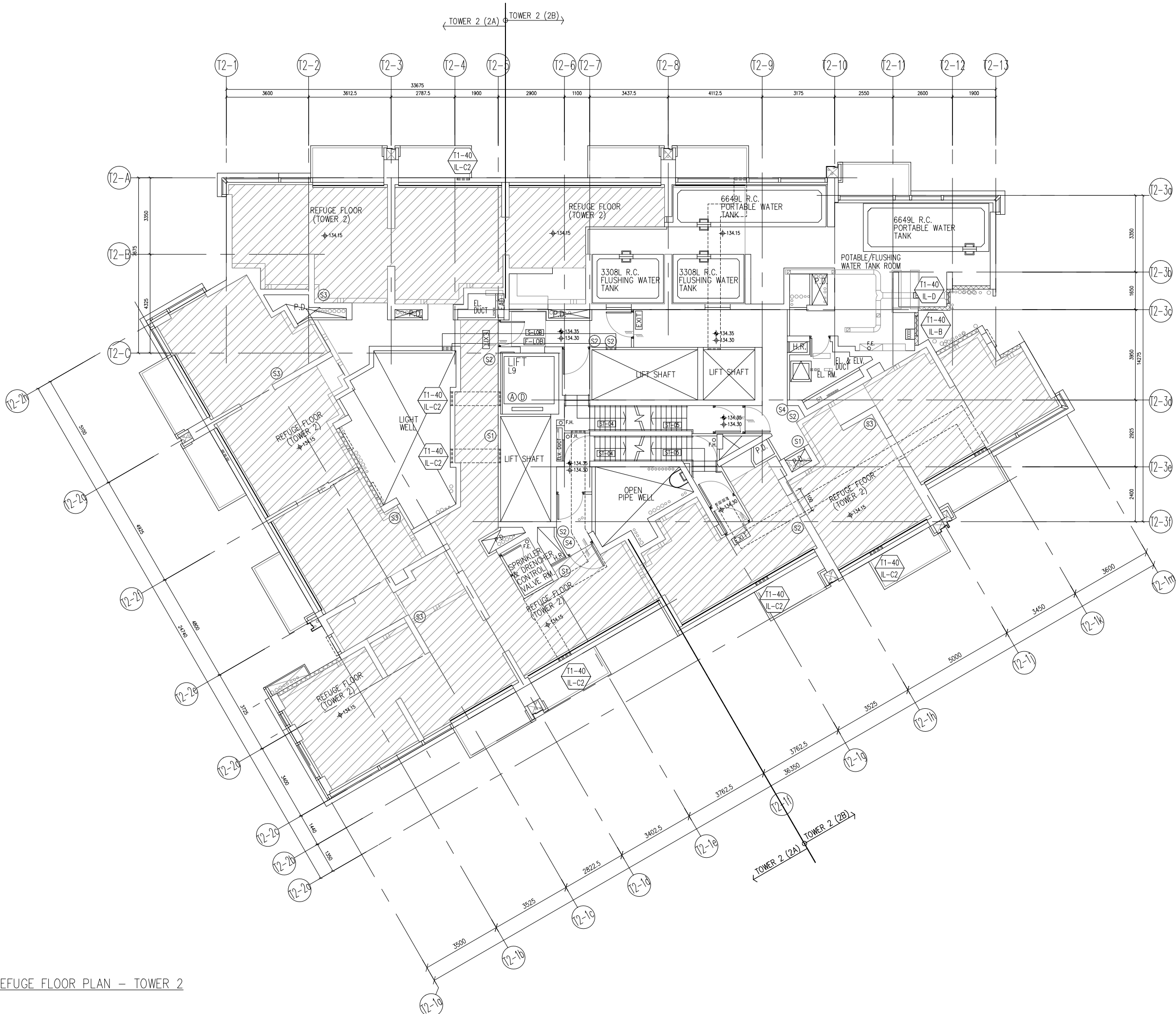
TITLE : IN-SITU ALUM. LOUVER LAYOUT PLAN TOWER 2 - 11/F

DATE : 04-OCT-21 SCALE : 1:160

DRAWN BY : CHECKED BY :

 美特鋁質有限公司
 MIDI ALUMINIUM FABRICATOR LTD.
 Units 6-8, Sunray Industrial Centre, 1/F
 610 Cha Kwo Ling Road, Kowloon
 Tel:23489211-4 Fax:(852)2727666

DWG NO. : J858-IL-3202 REV. : -



40TH REFUGE FLOOR PLAN - TOWER 2

B.D. REF :

CLIENT :
 信和置業有限公司
 Sino Land Company Limited

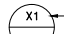
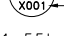
ARCHITECT :
 **ronald lu & partners**
 Architects, Planners, Interior Designers
 Ronald Lu & Partners (HK) Ltd.
 呂元祥建築師事務所 (香港) 有限公司

MAIN CONTRACTOR :
 **Gammon**

STRUCTURAL ENGINEER :
 **AECOM**

FAÇADE CONSULTANT:
 **AECOM**

NOTE :
 1. ALL DIMENSIONS ARE IN mm.
 2. ALL ELEVATIONS ARE VIEWED FROM OUTSIDE.
 3. ALL DIMENSIONS TO BE VERIFIED ON SITE BEFORE FABRICATION.

LEGEND :
 x1 — DETAIL MARK NO.
 x001 — REFER SHEET NO.
 1. F.F.L. — FINISHED FLOOR LEVEL
 2. S.F.L. — STRUCTURAL FLOOR LEVEL
 3. (R) — REVERSED DETAIL

NO.	DATE	REVISED	BY

JOB NO. : J-858
 PROJECT : PROPOSED RESIDENTIAL DEVELOPMENT AT TKOTL 70RP, PHASE 11, LOHAS PARK TSEUNG KWAN O, N.T.

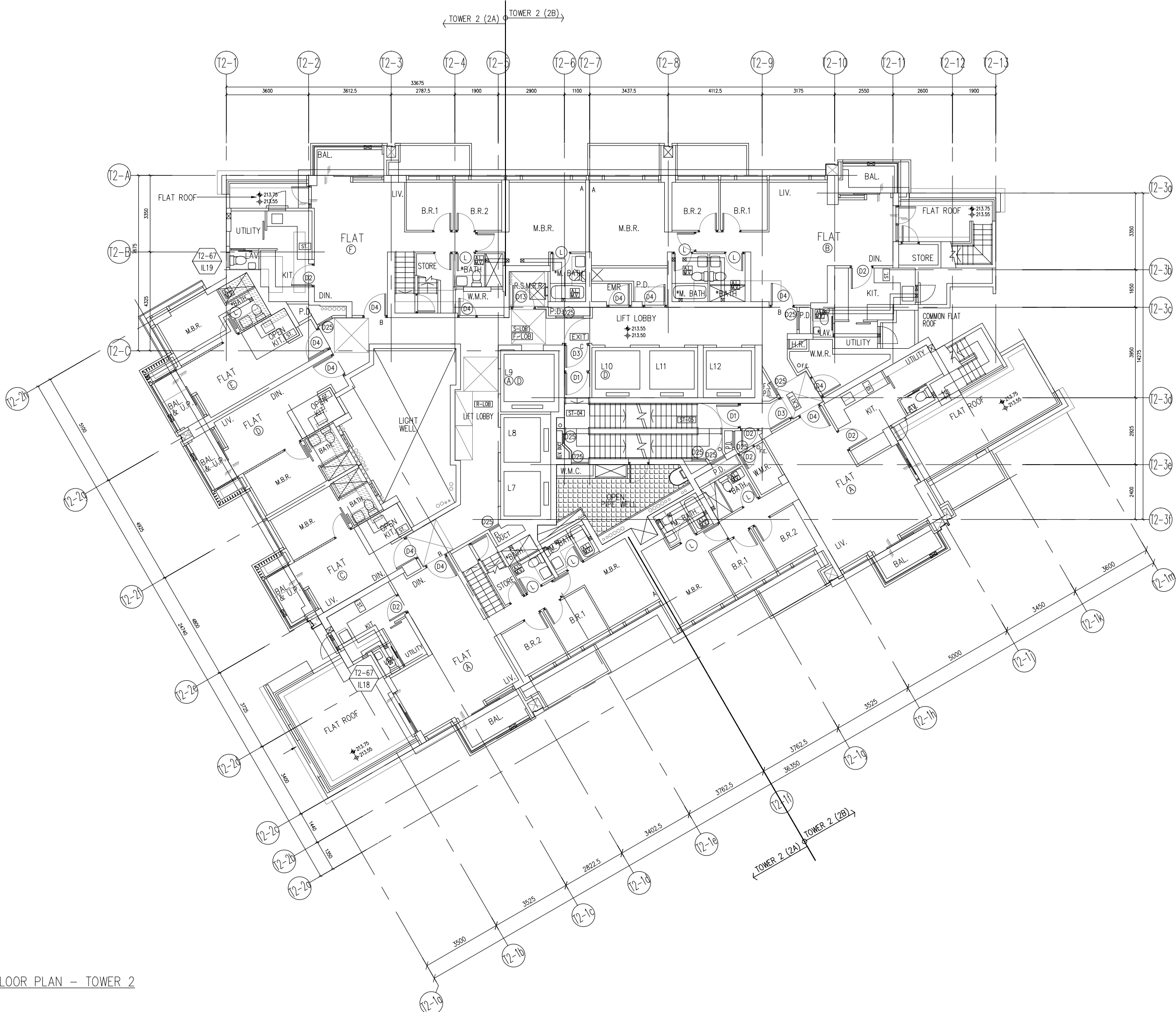
TITLE :
 IN-SITU ALUM. LOUVER LAYOUT PLAN
 TOWER 2 - 40/F

DATE : 04-OCT-21 SCALE : 1:160

DRAWN BY : CHECKED BY :

 **美特鋁質有限公司**
 MIDI ALUMINIUM FABRICATOR LTD.
 Units 6-8, Sunray Industrial Centre, 1/F
 610 Cha Kwo Ling Road, Kowloon
 Tel:23489211-4 Fax:(852)2727666

DWG NO. : J858-IL-3203 REV. : -



67TH FLOOR PLAN - TOWER 2

B.D. REF :

CLIENT :
 信和置業有限公司
 Sino Land Company Limited

ARCHITECT :
ronald lu & partners
 Architects, Planners, Interior Designers
 Ronald Lu & Partners (HK) Ltd.
 呂元祥建築師事務所 (香港) 有限公司

MAIN CONTRACTOR :
Gammon

STRUCTURAL ENGINEER :
AECOM

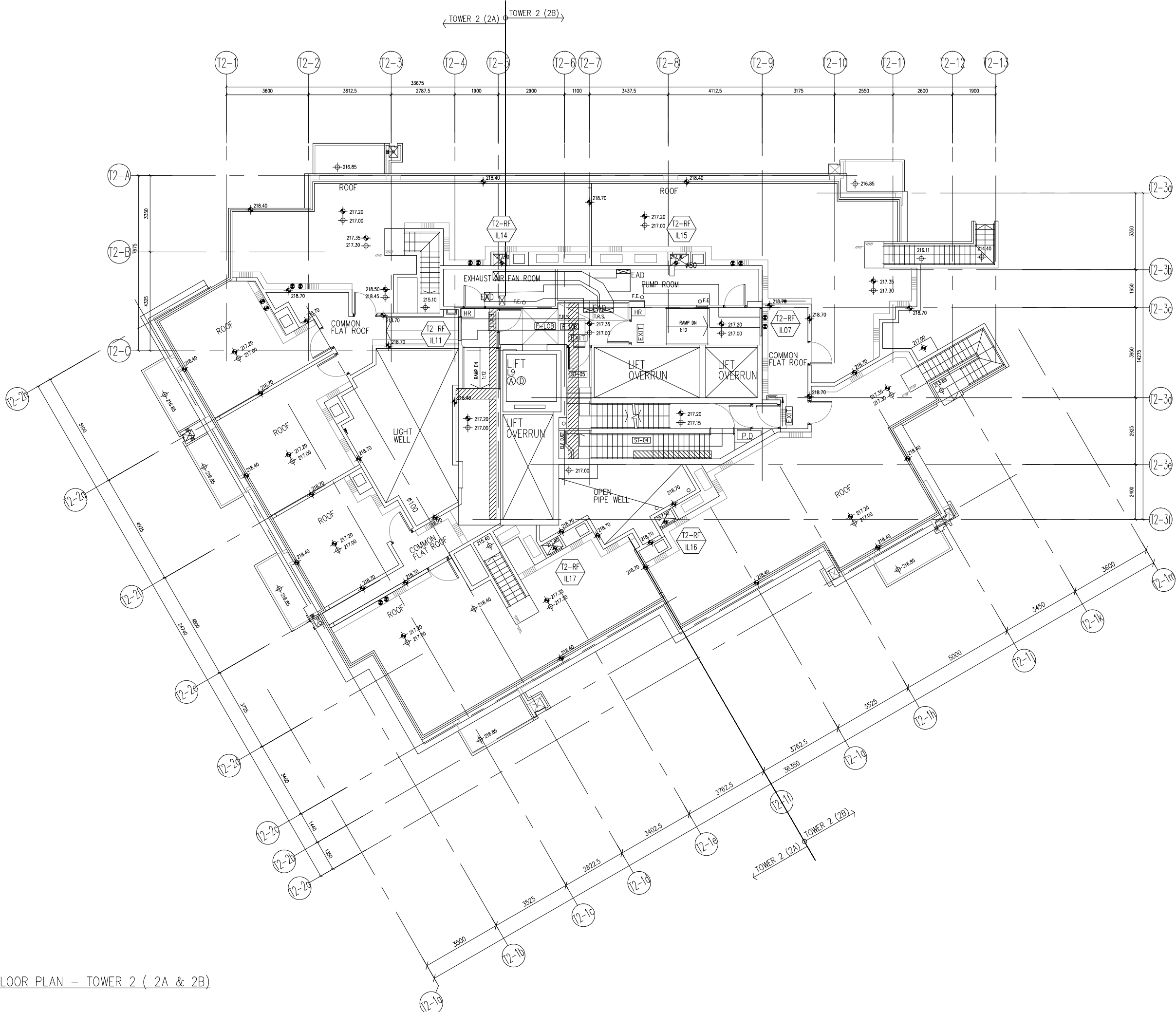
FAÇADE CONSULTANT:
AECOM

NOTE :
 1. ALL DIMENSIONS ARE IN mm.
 2. ALL ELEVATIONS ARE VIEWED FROM OUTSIDE.
 3. ALL DIMENSIONS TO BE VERIFIED ON SITE BEFORE FABRICATION.

LEGEND :
 x1 — DETAIL MARK NO.
 x001 — REFER SHEET NO.

1. F.F.L. — FINISHED FLOOR LEVEL
 2. S.F.L. — STRUCTURAL FLOOR LEVEL
 3. (R) — REVERSED DETAIL

NO.	DATE	REVISED	BY
JOB NO. : J-858			
PROJECT : PROPOSED RESIDENTIAL DEVELOPMENT AT TKOTL 70RP, PHASE 11, LOHAS PARK TSEUNG KWAN O, N.T.			
TITLE : IN-SITU ALUM. LOUVER LAYOUT PLAN TOWER 2 - 67/F			
DATE : 04-OCT-21		SCALE : 1:160	
DRAWN BY :		CHECKED BY :	
美特鋁質有限公司 MIDI ALUMINIUM FABRICATOR LTD. Units 6-8, Sunray Industrial Centre, 1/F 610 Cha Kwo Ling Road, Kowloon Tel:23489211-4 Fax:(852)2727666			
DWG NO. : J858-IL-3204			REV. : -



ROOF FLOOR PLAN - TOWER 2 (2A & 2B)

B.D. REF :

CLIENT :
 信和置業有限公司
 Sino Land Company Limited

ARCHITECT :
 ronald lu & partners
 Architects, Planners, Interior Designers
 Ronald Lu & Partners (HK) Ltd.
 呂元祥建築師事務所 (香港) 有限公司

MAIN CONTRACTOR :
 Gammon

STRUCTURAL ENGINEER :
 AECOM

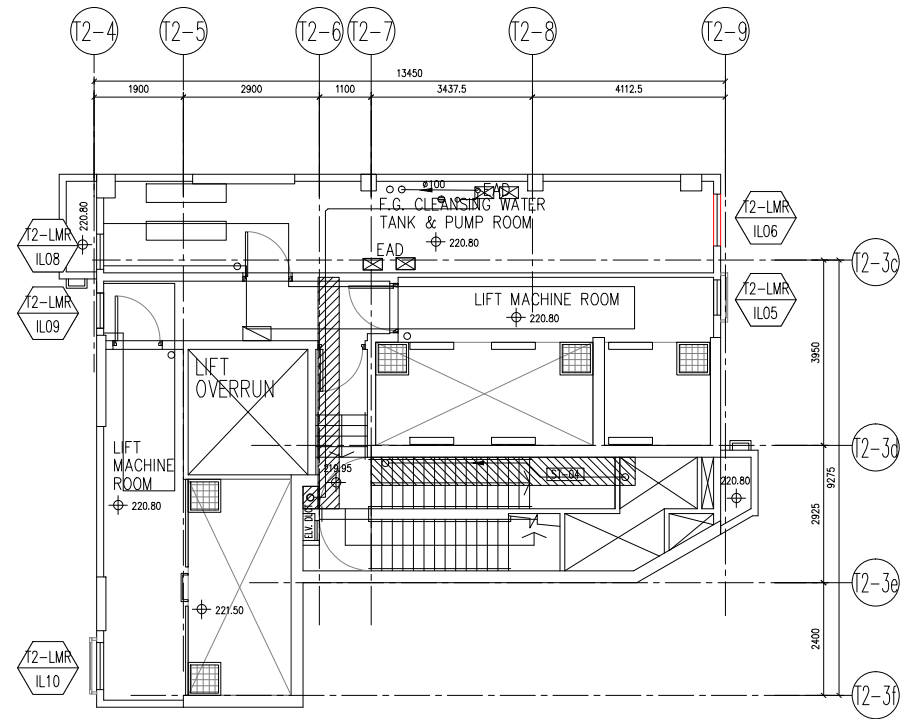
FAÇADE CONSULTANT:
 AECOM

NOTE :
 1. ALL DIMENSIONS ARE IN mm.
 2. ALL ELEVATIONS ARE VIEWED FROM OUTSIDE.
 3. ALL DIMENSIONS TO BE VERIFIED ON SITE BEFORE FABRICATION.

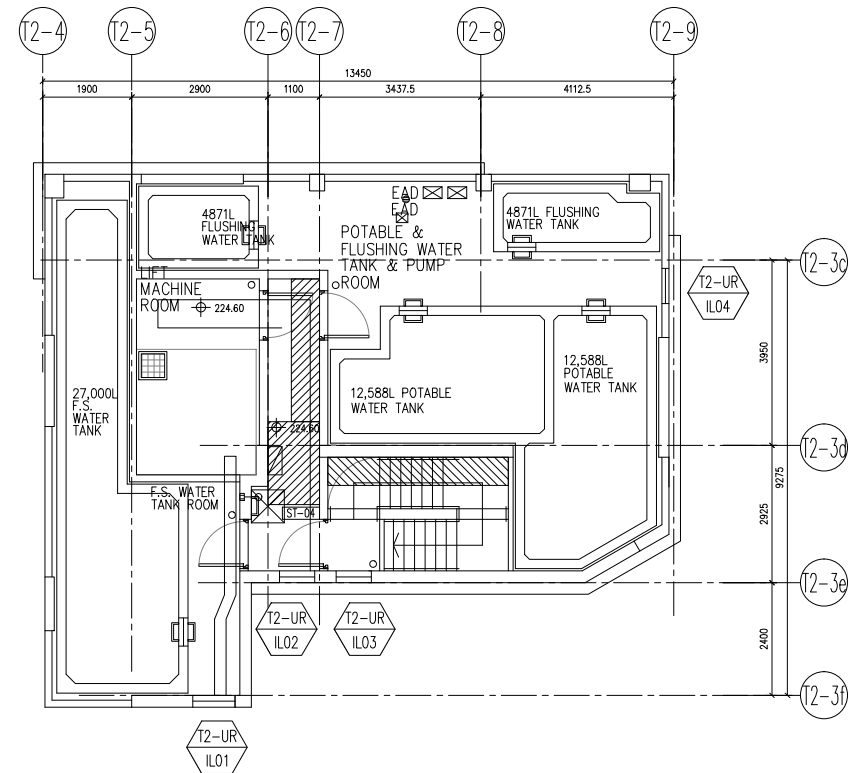
LEGEND :
 x1 → DETAIL MARK NO.
 x001 → REFER SHEET NO.

1. F.F.L. -- FINISHED FLOOR LEVEL
 2. S.F.L. -- STRUCTURAL FLOOR LEVEL
 3. (R) -- REVERSED DETAIL

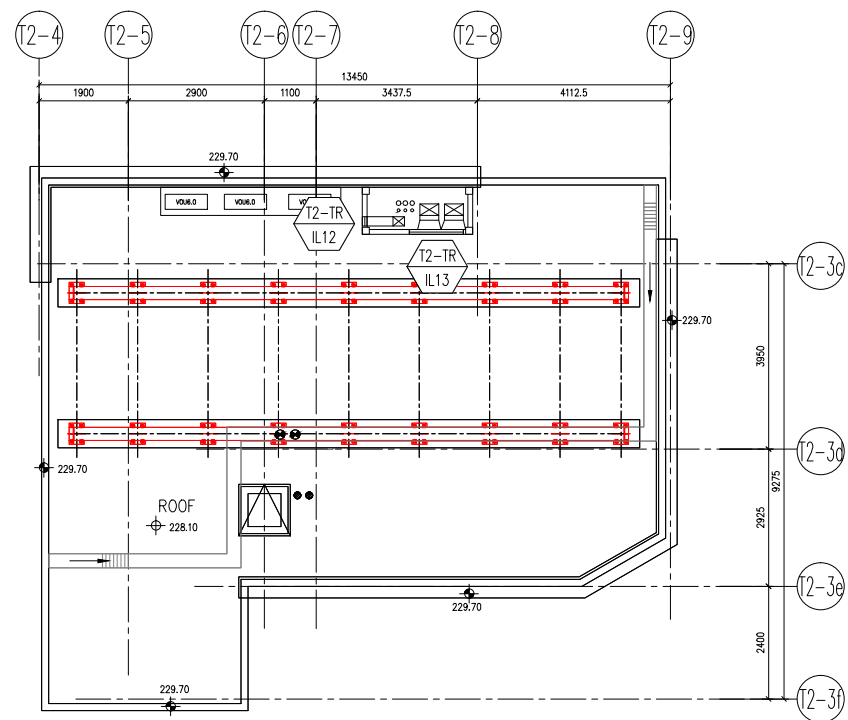
NO.	DATE	REVISED	BY
JOB NO. : J-858			
PROJECT : PROPOSED RESIDENTIAL DEVELOPMENT AT TKOTL 70RP, PHASE 11, LOHAS PARK TSEUNG KWAN O, N.T.			
TITLE : IN-SITU ALUM. LOUVER LAYOUT PLAN TOWER 2 - ROOF FLOOR			
DATE : 04-OCT-21		SCALE : 1:160	
DRAWN BY :		CHECKED BY :	
美特鋁質有限公司 MIDI ALUMINIUM FABRICATOR LTD. Units 6-8, Sunray Industrial Centre, 1/F 610 Cha Kwo Ling Road, Kowloon Tel:23489211-4 Fax:(852)2727666			
DWG NO. : J858-IL-3205		REV. : -	



LIFT MACHINE ROOM PLAN - TOWER 2 (2A & 2B)



UPPER ROOF PLAN - TOWER 2 (2A & 2B)



TOP ROOF PLAN - TOWER 2 (2A & 2B)

B.D. REF :

CLIENT :
 信和置業有限公司
 Sino Land Company Limited

ARCHITECT :
 ronald lu & partners
 Architects, Planners, Interior Designers
 Ronald Lu & Partners (HK) Ltd.
 呂元祥建築師事務所 (香港) 有限公司

MAIN CONTRACTOR :
 Gammon

STRUCTURAL ENGINEER :
 AECOM

FACADE CONSULTANT:
 AECOM

- NOTE :
1. ALL DIMENSIONS ARE IN mm.
 2. ALL ELEVATIONS ARE VIEWED FROM OUTSIDE.
 3. ALL DIMENSIONS TO BE VERIFIED ON SITE BEFORE FABRICATION.

- LEGEND :
- (x1) — DETAIL MARK NO.
 - (x001) — REFER SHEET NO.
 - 1. F.F.L. — FINISHED FLOOR LEVEL
 - 2. S.F.L. — STRUCTURAL FLOOR LEVEL
 - 3. (R) — REVERSED DETAIL

NO.	DATE	REVISED	BY
-----	------	---------	----

JOB NO. : J-858

PROJECT :
 PROPOSED RESIDENTIAL DEVELOPMENT
 AT TKOTL 70RP, PHASE 11, LOHAS PARK
 TSEUNG KWAN O, N.T.

TITLE :
 IN-SITU ALUM. LOUVER
 LAYOUT PLAN
 TOWER 2 - UPPER ROOF/
 LIFT MACHINE ROOM/UPPER ROOF

DATE : 04-OCT-21 SCALE : 1:160

DRAWN BY : CHECKED BY :

 美特鋁質有限公司
 MIDI ALUMINIUM FABRICATOR LTD.
 Units 6-8, Sunray Industrial Centre, 1/F
 610 Cha Kwo Ling Road, Kowloon
 Tel:23489211-4 Fax:(852)2727666

DWG NO. : J858-IL-3206 REV. : -

B.D. REF :

CLIENT :
 信和置業有限公司
Sino Land Company Limited

ARCHITECT :
 ronald lu & partners
Architects, Planners, Interior Designers
Ronald Lu & Partners (HK) Ltd.
呂元祥建築師事務所 (香港) 有限公司

MAIN CONTRACTOR :
 Gammon

STRUCTURAL ENGINEER :
 AECOM

FAÇADE CONSULTANT:
 AECOM

NOTE :
1. ALL DIMENSIONS ARE IN mm.
2. ALL ELEVATIONS ARE VIEWED FROM OUTSIDE.
3. ALL DIMENSIONS TO BE VERIFIED ON SITE BEFORE FABRICATION.

LEGEND :
X1 --- DETAIL MARK NO.
X001 --- REFER SHEET NO.
1. F.F.L. --- FINISHED FLOOR LEVEL
2. S.F.L. --- STRUCTURAL FLOOR LEVEL
3. (R) --- REVERSED DETAIL

NO.	DATE	REVISED	BY

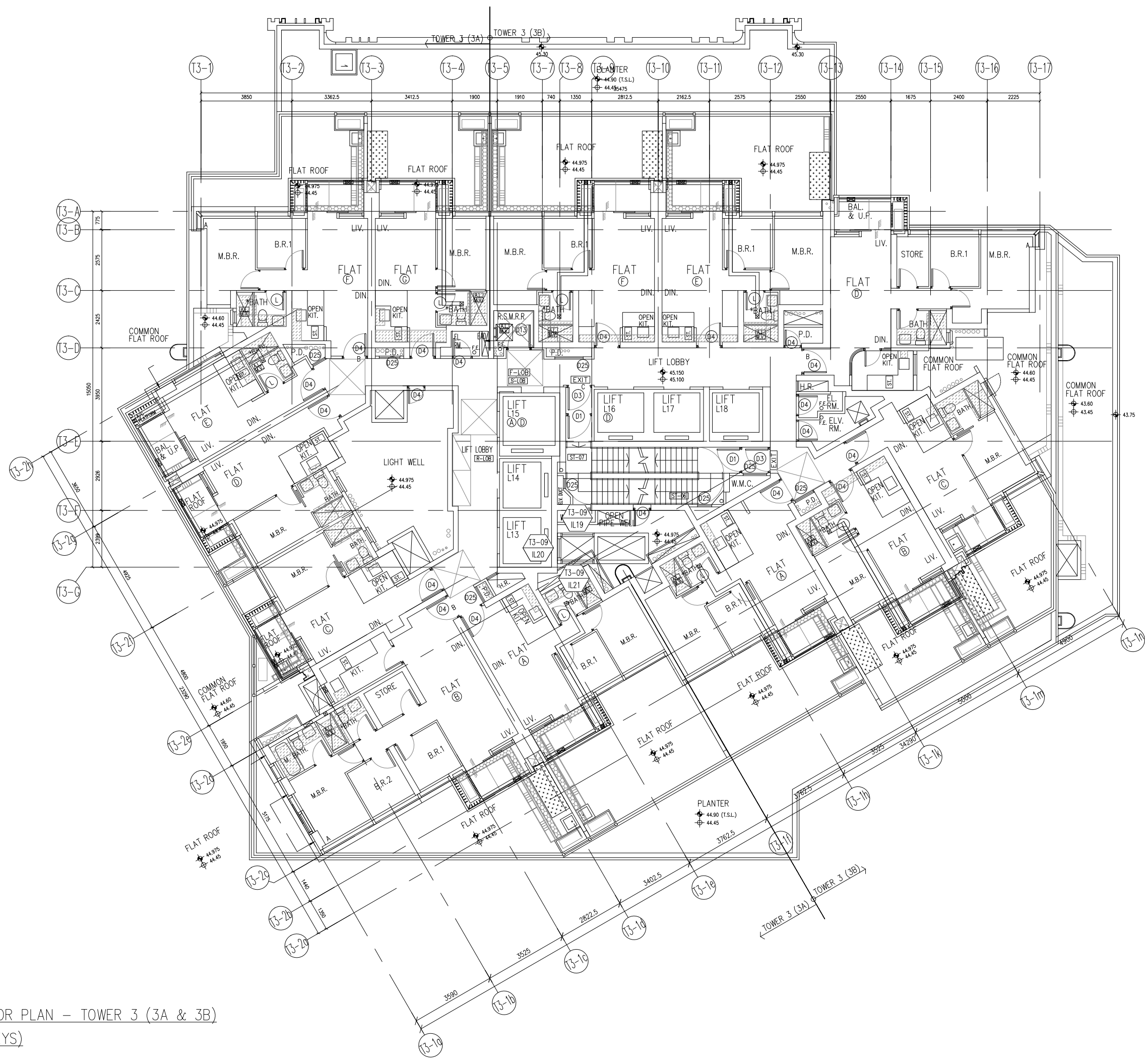
JOB NO. : J-858
PROJECT : PROPOSED RESIDENTIAL DEVELOPMENT AT TKOTL 70RP, PHASE 11, LOHAS PARK TSEUNG KWAN O, N.T.

TITLE : IN-SITU ALUM. LOUVER LAYOUT PLAN
9/F - TOWER 3

DATE : 04-OCT-21 SCALE : 1:160
DRAWN BY : CHECKED BY :

 美特鋁質有限公司
MIDI ALUMINIUM FABRICATOR LTD.
Units 6-8, Sunray Industrial Centre, 1/F
610 Cha Kwo Ling Road, Kowloon
Tel:23489211-4 Fax:(852)2727666

DWG NO. : J858-IL-3301 REV. : -



9TH FLOOR PLAN - TOWER 3 (3A & 3B)
(1 STOREYS)

B.D. REF :

CLIENT :
信和置業有限公司
Sino Land Company Limited

ARCHITECT :
ronald lu & partners
Architects, Planners, Interior Designers
Ronald Lu & Partners (HK) Ltd.
呂元祥建築師事務所 (香港) 有限公司

MAIN CONTRACTOR :
Gammon

STRUCTURAL ENGINEER :
AECOM

FAÇADE CONSULTANT:
AECOM

NOTE :
1. ALL DIMENSIONS ARE IN mm.
2. ALL ELEVATIONS ARE VIEWED FROM OUTSIDE.
3. ALL DIMENSIONS TO BE VERIFIED ON SITE BEFORE FABRICATION.

LEGEND :
x1 — DETAIL MARK NO.
x001 — REFER SHEET NO.
1. F.F.L. — FINISHED FLOOR LEVEL
2. S.F.L. — STRUCTURAL FLOOR LEVEL
3. (R) — REVERSED DETAIL

NO.	DATE	REVISED	BY

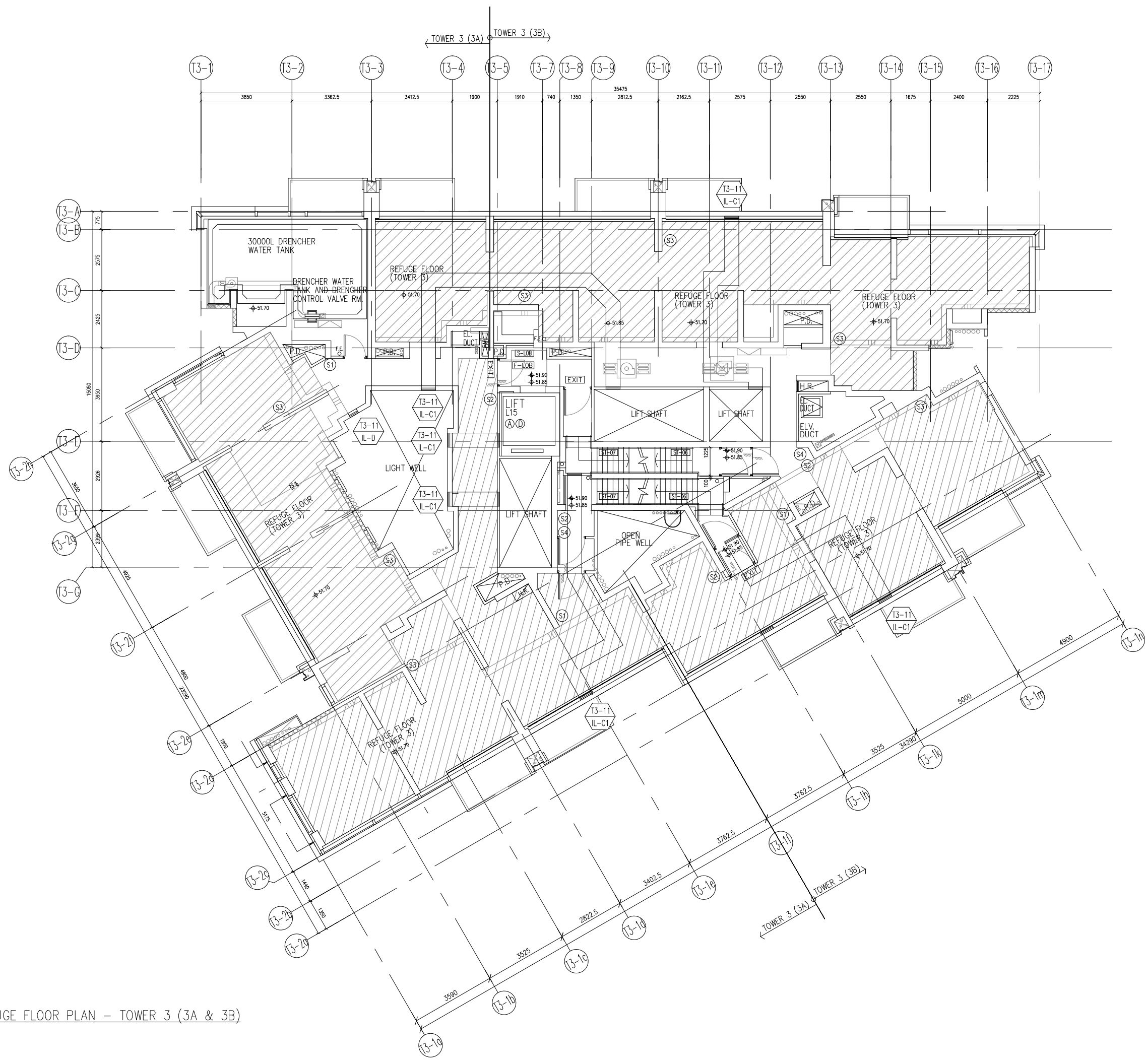
JOB NO. : J-858
PROJECT : PROPOSED RESIDENTIAL DEVELOPMENT AT TKOTL 70RP, PHASE 11, LOHAS PARK TSEUNG KWAN O, N.T.

TITLE : IN-SITU ALUM. LOUVER LAYOUT PLAN TOWER 3 - 11/F

DATE : 04-OCT-21 SCALE : 1:160
DRAWN BY : CHECKED BY :

美特鋁質有限公司
MIDI ALUMINIUM FABRICATOR LTD.
Units 6-8, Sunray Industrial Centre, 1/F
610 Cha Kwo Ling Road, Kowloon
Tel:23489211-4 Fax:(852)2727666

DWG NO. : J858-IL-3302 REV. : -



11TH REFUGE FLOOR PLAN - TOWER 3 (3A & 3B)

B.D. REF :

CLIENT :
 信和置業有限公司
Sino Land Company Limited

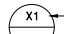
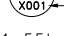
ARCHITECT :
 ronald lu & partners
Architects, Planners, Interior Designers
Ronald Lu & Partners (HK) Ltd.
呂元祥建築師事務所 (香港) 有限公司

MAIN CONTRACTOR :
 Gammon

STRUCTURAL ENGINEER :
 AECOM

FAÇADE CONSULTANT:
 AECOM

NOTE :
1. ALL DIMENSIONS ARE IN mm.
2. ALL ELEVATIONS ARE VIEWED FROM OUTSIDE.
3. ALL DIMENSIONS TO BE VERIFIED ON SITE BEFORE FABRICATION.

LEGEND :
 x1 — DETAIL MARK NO.
 x001 — REFER SHEET NO.
1. F.F.L. — FINISHED FLOOR LEVEL
2. S.F.L. — STRUCTURAL FLOOR LEVEL
3. (R) — REVERSED DETAIL

NO.	DATE	REVISED	BY

JOB NO. : J-858
PROJECT : PROPOSED RESIDENTIAL DEVELOPMENT AT TKOTL 70RP, PHASE 11, LOHAS PARK TSEUNG KWAN O, N.T.

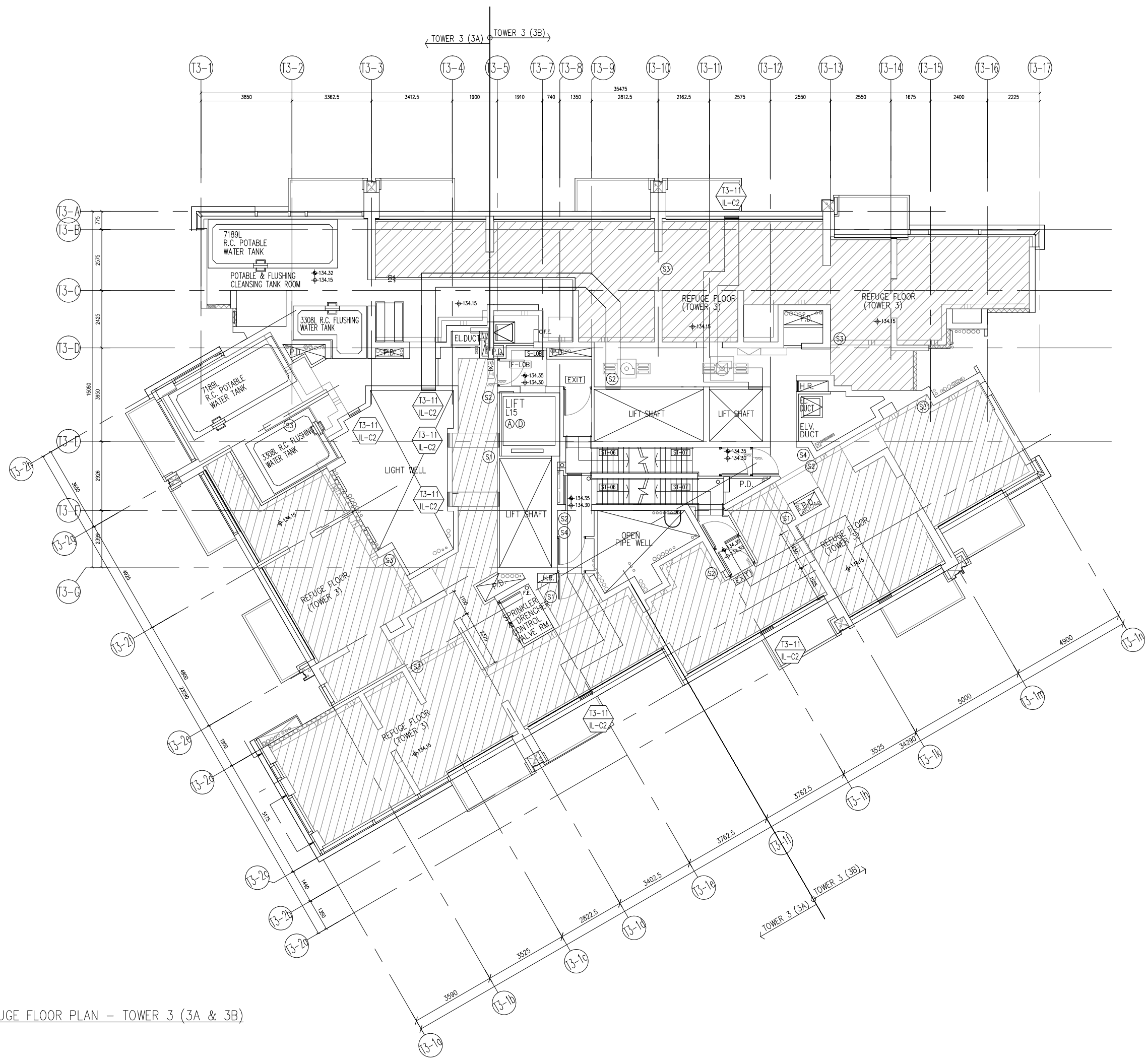
TITLE : IN-SITU ALUM. LOUVER LAYOUT PLAN TOWER 3 - 40/F

DATE : 04-OCT-21 SCALE : 1:160

DRAWN BY : CHECKED BY :

 美特鋁質有限公司
MIDI ALUMINIUM FABRICATOR LTD.
Units 6-8, Sunray Industrial Centre, 1/F
610 Cha Kwo Ling Road, Kowloon
Tel:23489211-4 Fax:(852)2727666

DWG NO. : J858-IL-3303 REV. : -



40TH REFUGE FLOOR PLAN - TOWER 3 (3A & 3B)

B.D. REF :

CLIENT :
 信和置業有限公司
Sino Land Company Limited

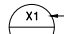
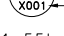
ARCHITECT :
 ronald lu & partners
Architects, Planners, Interior Designers
Ronald Lu & Partners (HK) Ltd.
呂元祥建築師事務所 (香港) 有限公司

MAIN CONTRACTOR :
 Gammon

STRUCTURAL ENGINEER :
 AECOM

FAÇADE CONSULTANT:
 AECOM

NOTE :
1. ALL DIMENSIONS ARE IN mm.
2. ALL ELEVATIONS ARE VIEWED FROM OUTSIDE.
3. ALL DIMENSIONS TO BE VERIFIED ON SITE BEFORE FABRICATION.

LEGEND :
 x1 — DETAIL MARK NO.
 x001 — REFER SHEET NO.
1. F.F.L. — FINISHED FLOOR LEVEL
2. S.F.L. — STRUCTURAL FLOOR LEVEL
3. (R) — REVERSED DETAIL

NO.	DATE	REVISED	BY

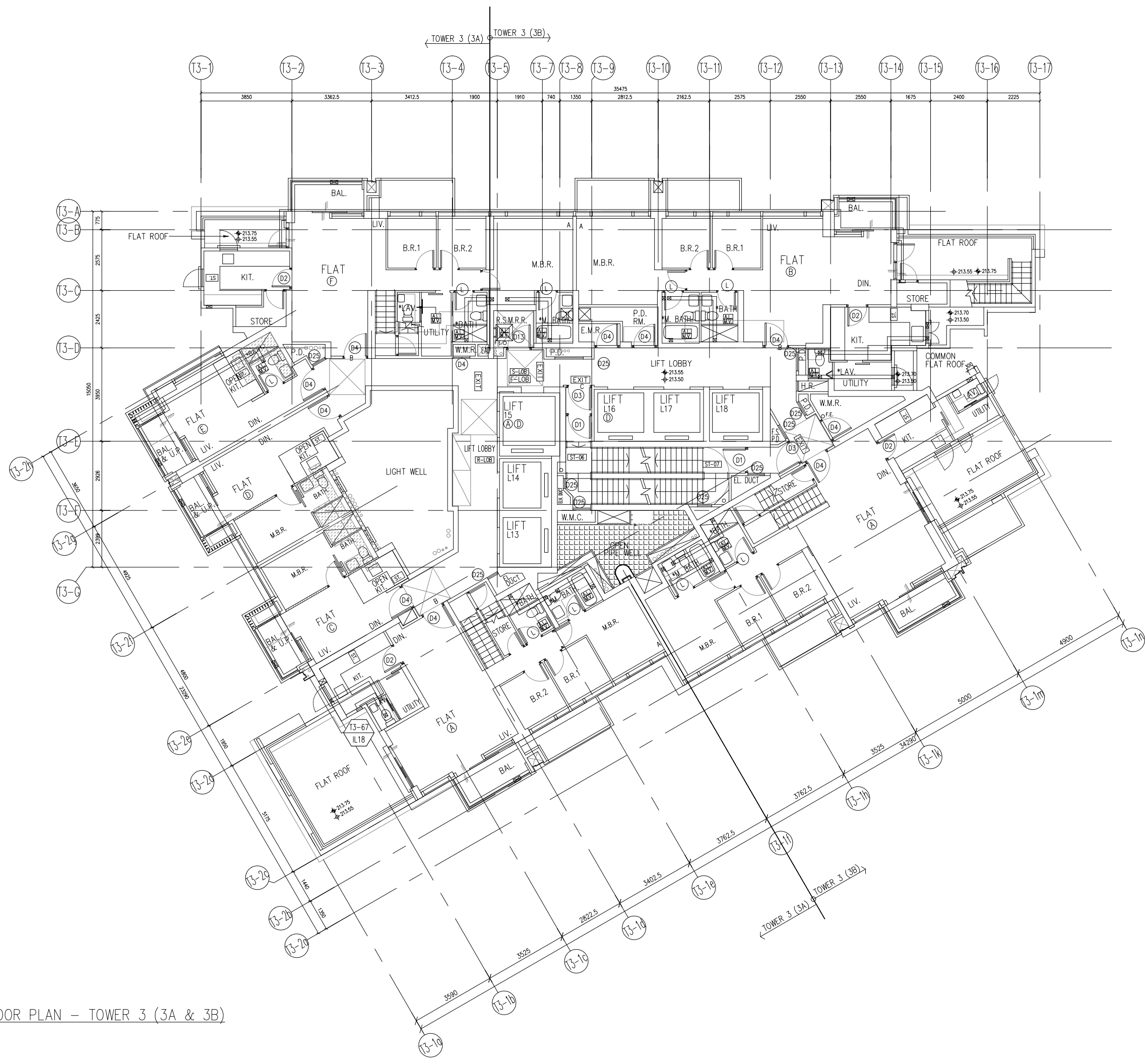
JOB NO. : J-858
PROJECT : PROPOSED RESIDENTIAL DEVELOPMENT AT TKOTL 70RP, PHASE 11, LOHAS PARK TSEUNG KWAN O, N.T.

TITLE :
IN-SITU ALUM. LOUVER LAYOUT PLAN
TOWER 3 - 67/F

DATE : 04-OCT-21 SCALE : 1:160
DRAWN BY : CHECKED BY :

 美特鋁質有限公司
MIDI ALUMINIUM FABRICATOR LTD.
Units 6-8, Sunray Industrial Centre, 1/F
610 Cha Kwo Ling Road, Kowloon
Tel:23489211-4 Fax:(852)2727666

DWG NO. : J858-IL-3304 REV. : -



67TH FLOOR PLAN - TOWER 3 (3A & 3B)

B.D. REF :

CLIENT :
 信和置業有限公司
Sino Land Company Limited

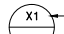
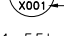
ARCHITECT :
 ronald lu & partners
Architects, Planners, Interior Designers
Ronald Lu & Partners (HK) Ltd.
呂元祥建築師事務所 (香港) 有限公司

MAIN CONTRACTOR :
 Gammon

STRUCTURAL ENGINEER :
 AECOM

FAÇADE CONSULTANT:
 AECOM

NOTE :
1. ALL DIMENSIONS ARE IN mm.
2. ALL ELEVATIONS ARE VIEWED FROM OUTSIDE.
3. ALL DIMENSIONS TO BE VERIFIED ON SITE BEFORE FABRICATION.

LEGEND :
 x1 --- DETAIL MARK NO.
 x001 --- REFER SHEET NO.
1. F.F.L. --- FINISHED FLOOR LEVEL
2. S.F.L. --- STRUCTURAL FLOOR LEVEL
3. (R) --- REVERSED DETAIL

NO.	DATE	REVISED	BY

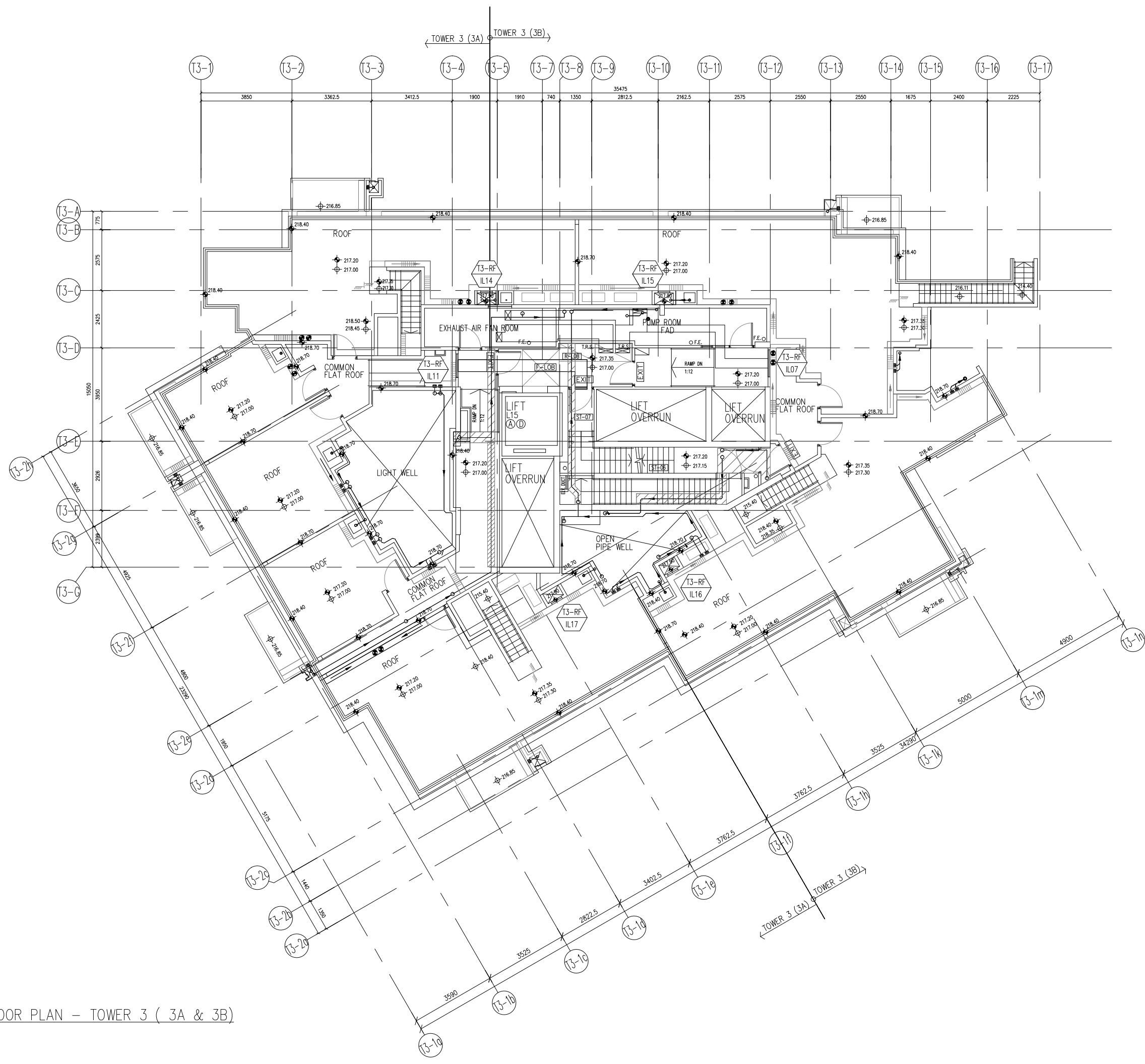
JOB NO. : J-858
PROJECT : PROPOSED RESIDENTIAL DEVELOPMENT AT TKOTL 70RP, PHASE 11, LOHAS PARK TSEUNG KWAN O, N.T.

TITLE : IN-SITU ALUM. LOUVER LAYOUT PLAN
TOWER 3 - ROOF FLOOR

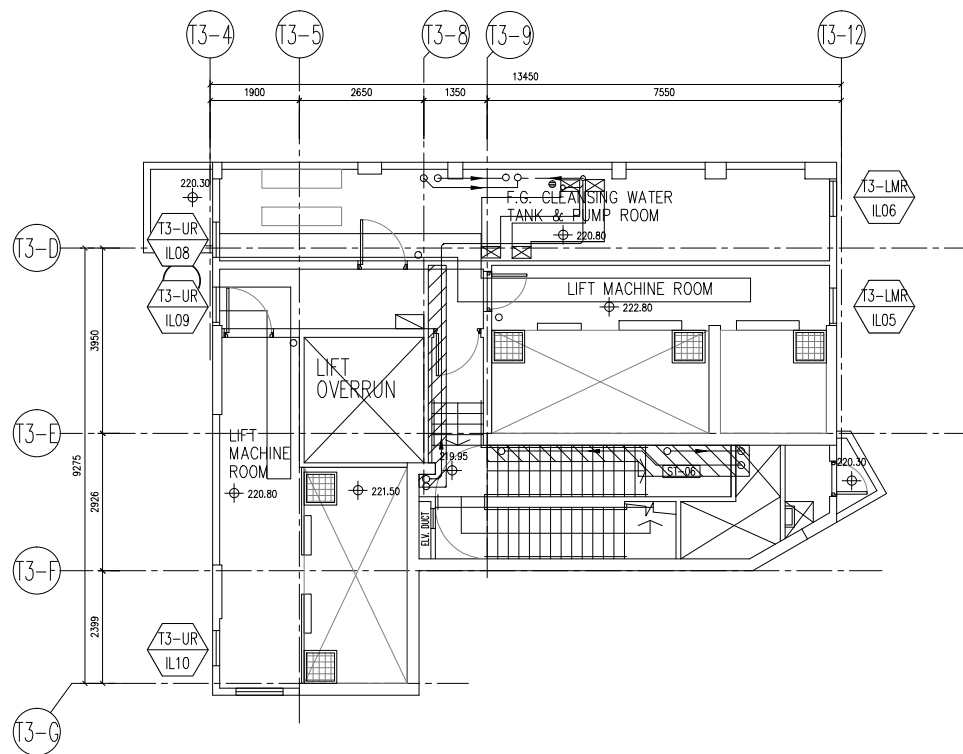
DATE : 04-OCT-21 SCALE : 1:160
DRAWN BY : CHECKED BY :

 美特鋁質有限公司
MIDI ALUMINIUM FABRICATOR LTD.
Units 6-8, Sunray Industrial Centre, 1/F
610 Cha Kwo Ling Road, Kowloon
Tel:23489211-4 Fax:(852)2727666

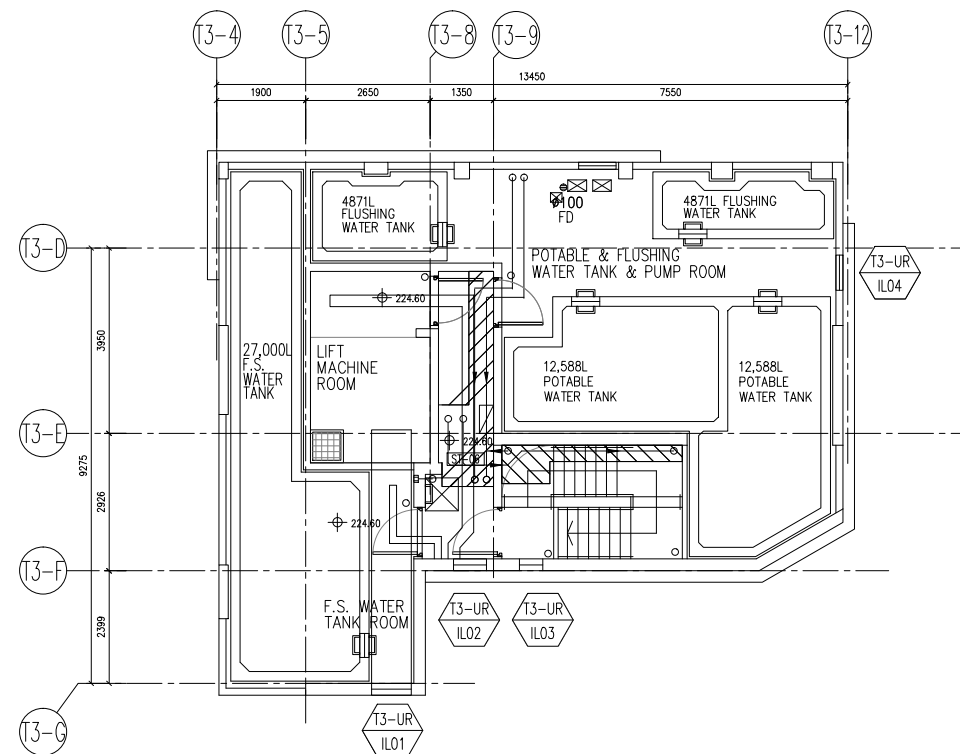
DWG NO. : J858-IL-3305 REV. : -



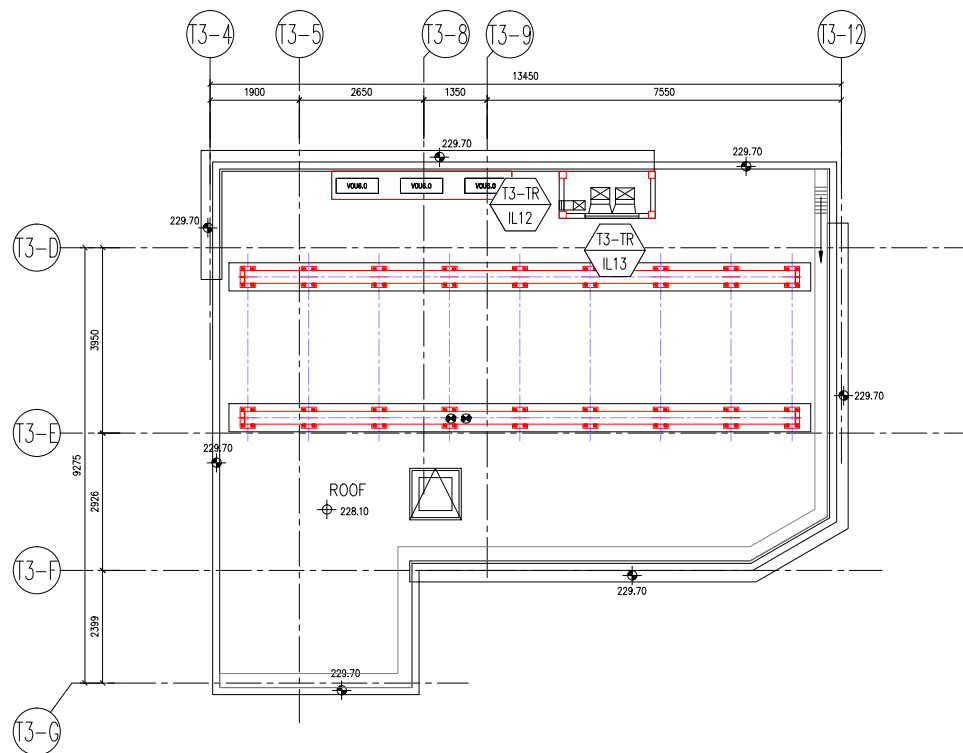
ROOF FLOOR PLAN - TOWER 3 (3A & 3B)



LIFT MACHINE ROOM PLAN - TOWER 3 (3A & 3B)



UPPER ROOF PLAN - TOWER 3 (3A & 3B)



TOP ROOF PLAN - TOWER 3 (3A & 3B)

B.D. REF :

CLIENT :
 信和置業有限公司
 Sino Land Company Limited

ARCHITECT :
 ronald lu & partners
 Architects, Planners, Interior Designers
 Ronald Lu & Partners (HK) Ltd.
 呂元祥建築師事務所 (香港) 有限公司

MAIN CONTRACTOR :
 Gammon

STRUCTURAL ENGINEER :
 AECOM

FACADE CONSULTANT:
 AECOM

NOTE :
 1. ALL DIMENSIONS ARE IN mm.
 2. ALL ELEVATIONS ARE VIEWED FROM OUTSIDE.
 3. ALL DIMENSIONS TO BE VERIFIED ON SITE BEFORE FABRICATION.

LEGEND :
 x1 --- DETAIL MARK NO.
 x001 --- REFER SHEET NO.
 1. F.F.L. --- FINISHED FLOOR LEVEL
 2. S.F.L. --- STRUCTURAL FLOOR LEVEL
 3. (R) --- REVERSED DETAIL

NO.	DATE	REVISED	BY

JOB NO. : J-858

PROJECT :
 PROPOSED RESIDENTIAL DEVELOPMENT
 AT TKOTL 70RP, PHASE 11, LOHAS PARK
 TSEUNG KWAN O, N.T.

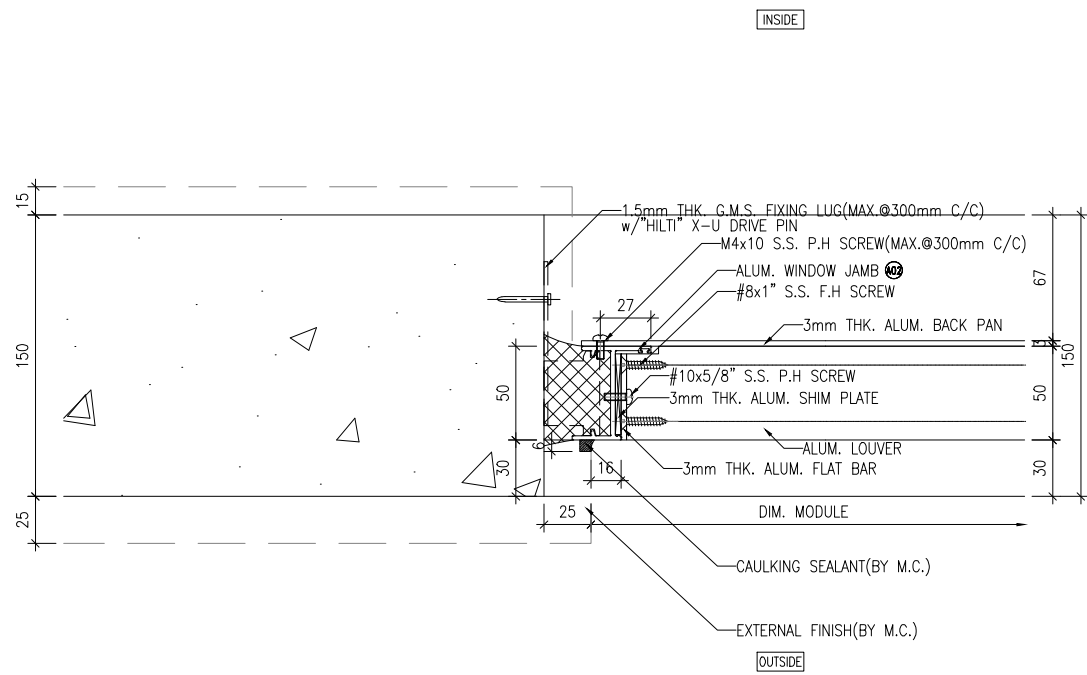
TITLE :
 IN-SITU ALUM. LOUVER
 LAYOUT PLAN
 TOWER 3 - UPPER ROOF/
 LIFT MACHINE ROOM/UPPER ROOF

DATE : 04-OCT-21 SCALE : 1:160

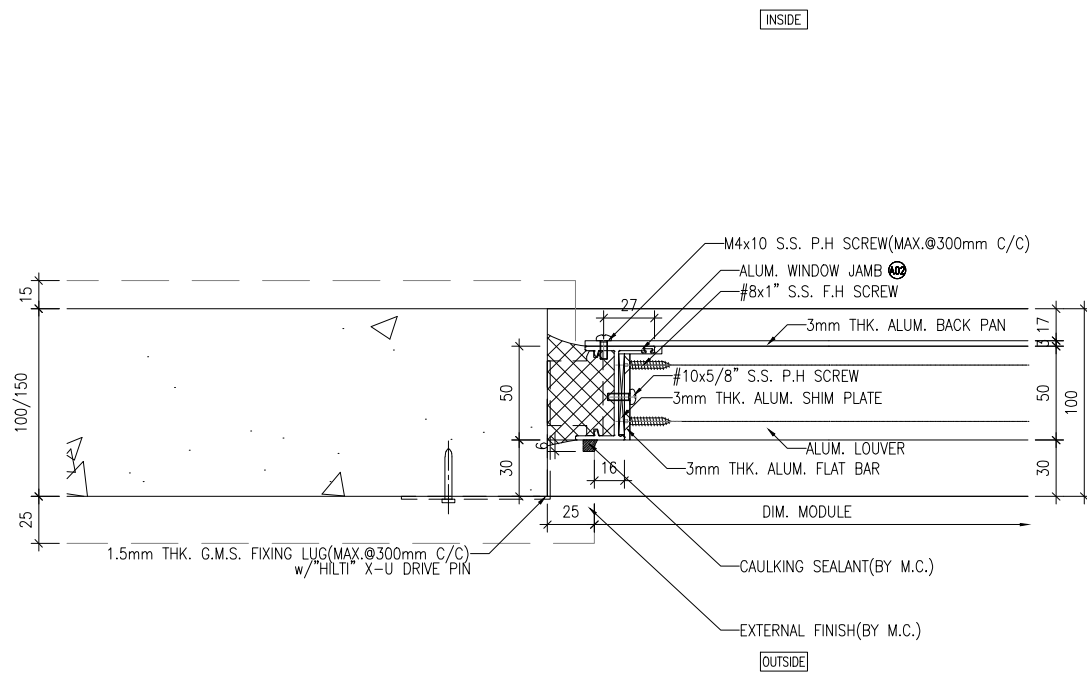
DRAWN BY : CHECKED BY :

美特鋁質有限公司
 MIDI ALUMINIUM FABRICATOR LTD.
 Units 6-8, Sunray Industrial Centre, 1/F
 610 Cha Kwo Ling Road, Kowloon
 Tel:23489211-4 Fax:(852)2727666

DWG NO. : J858-IL-3306 REV. : -



1 HORIZONTAL DETAIL
5001



2 HORIZONTAL DETAIL
5001

B.D. REF :

CLIENT :
 信和置業有限公司
 Sino Land Company Limited

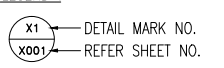
ARCHITECT :
 ronald lu & partners
 Architects, Planners, Interior Designers
 Ronald Lu & Partners (HK) Ltd.
 呂元祥建築師事務所 (香港) 有限公司

MAIN CONTRACTOR :
 Gammon

STRUCTURAL ENGINEER :
 AECOM

FACADE CONSULTANT:
 AECOM

NOTE :
 1. ALL DIMENSIONS ARE IN mm.
 2. ALL ELEVATIONS ARE VIEWED FROM OUTSIDE.
 3. ALL DIMENSIONS TO BE VERIFIED ON SITE BEFORE FABRICATION.

LEGEND :

 x1 — DETAIL MARK NO.
 x001 — REFER SHEET NO.
 1. F.F.L. — FINISHED FLOOR LEVEL
 2. S.F.L. — STRUCTURAL FLOOR LEVEL
 3. (R) — REVERSED DETAIL

NO.	DATE	REVISED	BY
-----	------	---------	----

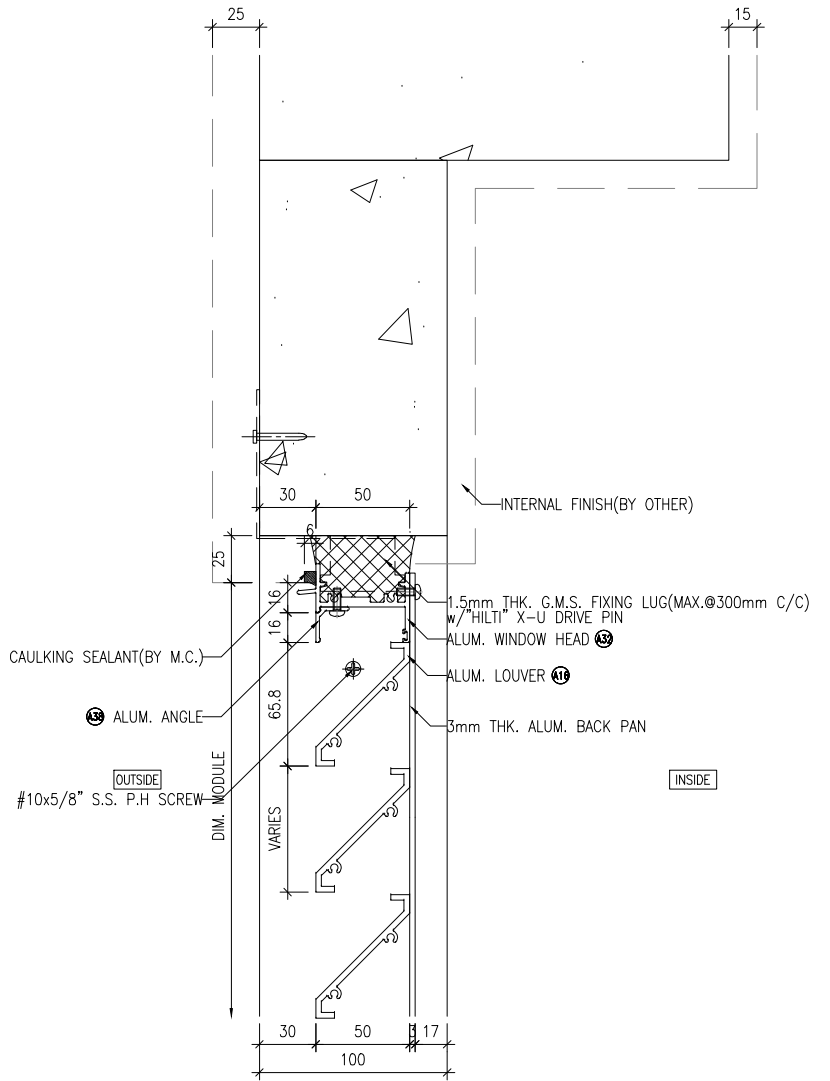
JOB NO. : J-858
 PROJECT : PROPOSED RESIDENTIAL DEVELOPMENT AT TKOTL 70RP, PHASE 11, LOHAS PARK TSEUNG KWAN O, N.T.

TITLE : IN-SITU ALUM. LOUVER TYPICAL DETAILS

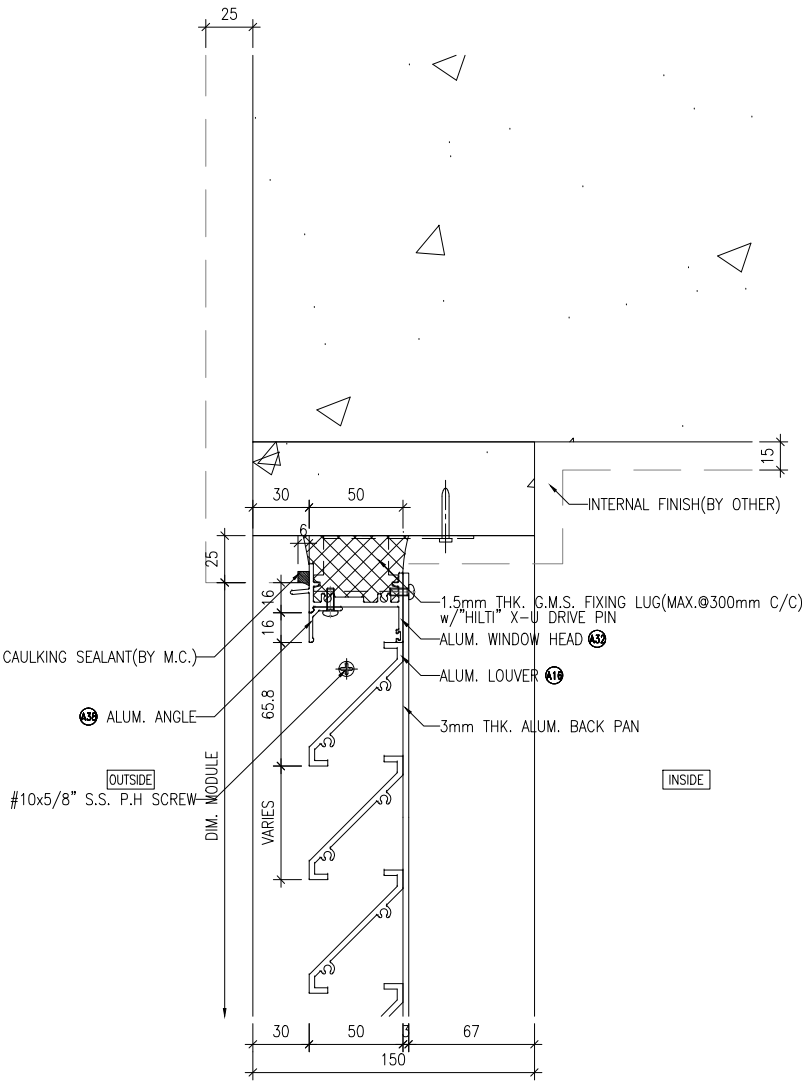
DATE : 04-OCT-21 SCALE : 1:40
 DRAWN BY : CHECKED BY :

 美特鋁質有限公司
 MIDI ALUMINIUM FABRICATOR LTD.
 Units 6-8, Sunray Industrial Centre, 1/F
 610 Cha Kwo Ling Road, Kowloon
 Tel: 23489211-4 Fax: (852) 27727666

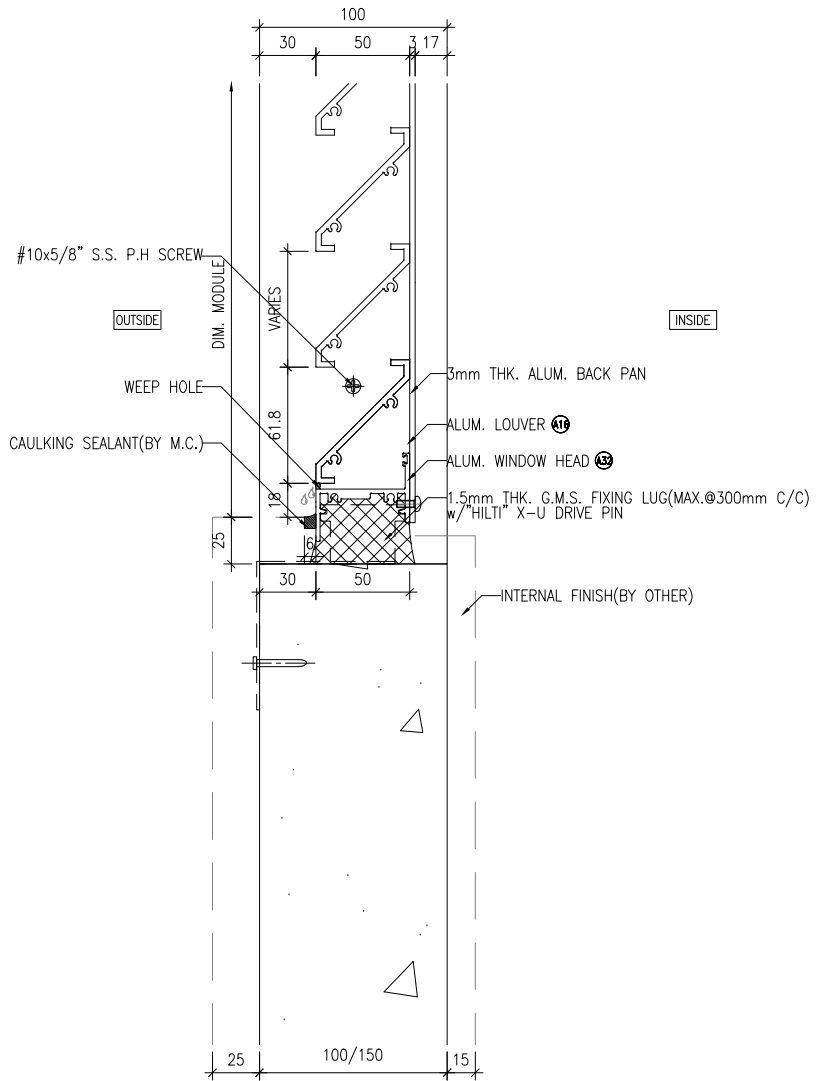
DWG NO. : J858-IL-5001 REV. : -



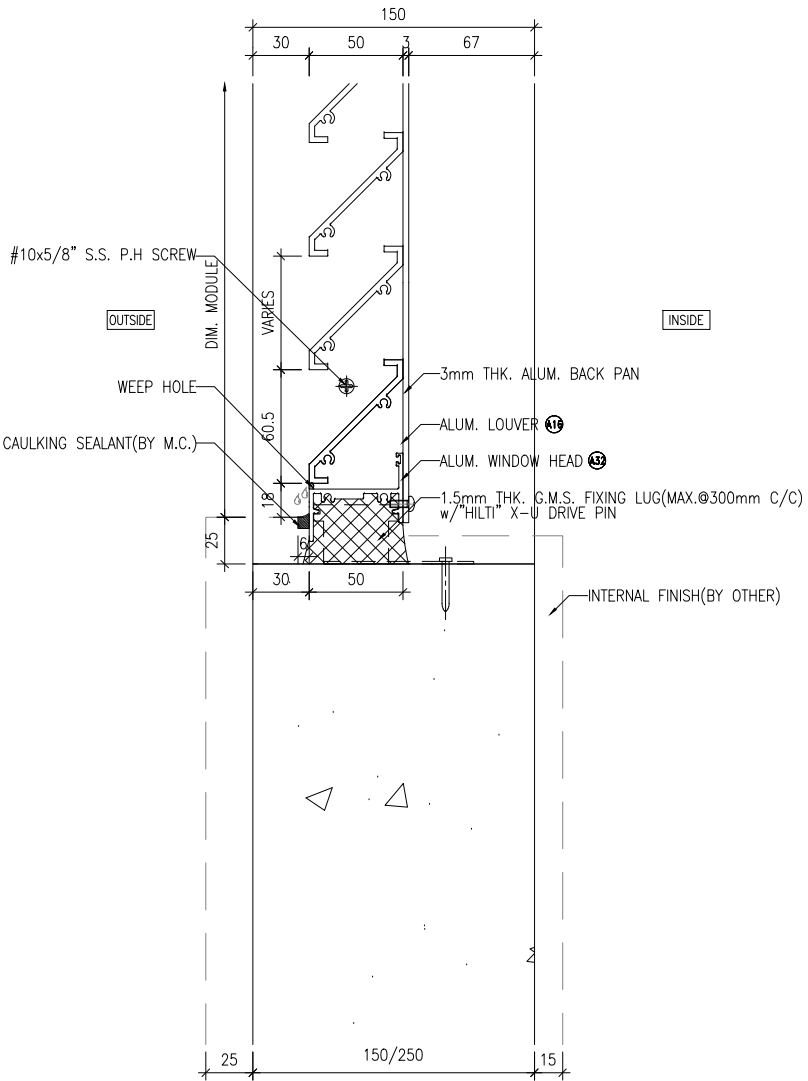
3 VERTICAL DETAIL
6001



1 VERTICAL DETAIL
6001



4 VERTICAL DETAIL
6001



2 VERTICAL DETAIL
6001

B.D. REF :

CLIENT :
信和置業有限公司
Sino Land Company Limited

ARCHITECT :
ronald lu & partners
Ronald Lu & Partners (HK) Ltd.
呂允梓建築師事務所 (香港) 有限公司
MAIN CONTRACTOR :

STRUCTURAL ENGINEER :
Gammon

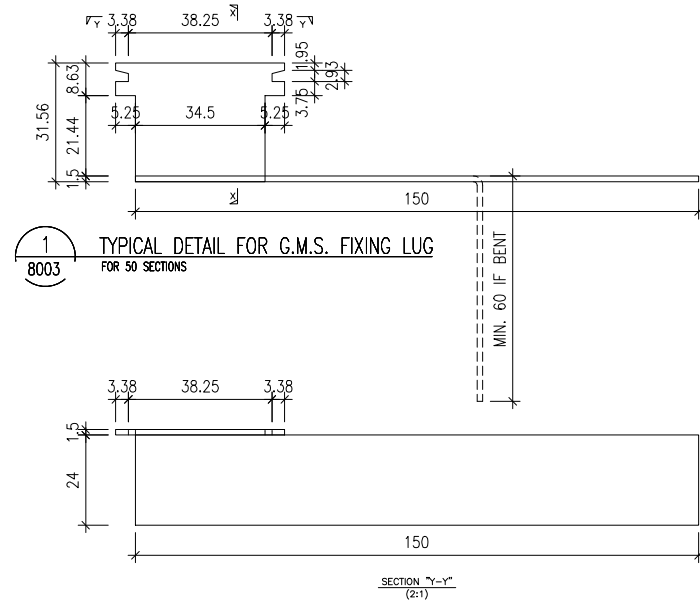
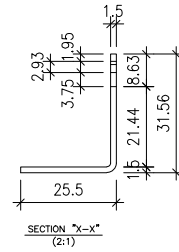
FAÇADE CONSULTANT:
AECOM

NOTE:
1. ALL DIMENSIONS ARE IN mm.
2. ALL ELEVATIONS ARE VIEWED FROM OUTSIDE.
3. ALL DIMENSIONS TO BE VERIFIED ON SITE BEFORE FABRICATION.

LEGEND:
X1 --- DETAIL MARK NO.
X001 --- REFER SHEET NO.

1. F.F.L. --- FINISHED FLOOR LEVEL
2. S.F.L. --- STRUCTURAL FLOOR LEVEL
3. (R) --- REVERSED DETAIL

NO.	DATE	REVISED	BY
JOB NO. :	J-858		
PROJECT :	PROPOSED RESIDENTIAL DEVELOPMENT AT TKOIL ZORP, PHASE 11, LOHAS PARK TSEUNG KWAN O, N.T.		
TITLE :	IN-SITU ALUM. LOUVER TYPICAL DETAILS		
DATE :	04-OCT-21	SCALE :	1:40
DRAWN BY :		CHECKED BY :	
<p>美特鋁業有限公司 MIDI Aluminium Fabricator Ltd. Units 6-8, Sunroy Industrial Centre, 1/F 610 Cho Kwong Road, Kowloon Tel:23489211-4 Fax:(852)27727666 DWG NO. : J858-IL-6001</p>			
REV. :	-		



B.D. REF :

CLIENT :



ARCHITECT :



MAIN CONTRACTOR :



STRUCTURAL ENGINEER :



FACADE CONSULTANT:



NOTE :

1. ALL DIMENSIONS ARE IN mm.
2. ALL ELEVATIONS ARE VIEWED FROM OUTSIDE.
3. ALL DIMENSIONS TO BE VERIFIED ON SITE BEFORE FABRICATION.

LEGEND :

- (x1) — DETAIL MARK NO.
- (x001) — REFER SHEET NO.

1. F.F.L. -- FINISHED FLOOR LEVEL
2. S.F.L. -- STRUCTURAL FLOOR LEVEL
3. (R) -- REVERSED DETAIL

NO.	DATE	REVISED	BY
-----	------	---------	----

JOB NO. : J-858

PROJECT :
PROPOSED RESIDENTIAL DEVELOPMENT
AT TKOTL 70RP, PHASE 11, LOHAS PARK
TSEUNG KWAN O, N.T.

TITLE :
G.M.S. FIXING LUG
TYPICAL DETAIL

DATE : 04-OCT-21 SCALE : 1:2

DRAWN BY : CHECKED BY :



DWG NO. : J858-IL-8001

REV. : -