

工程指示 / 要求簡箋(E.I.)

工程指示編號 : EI / 666 / 23 修改版次 :
 工程編號 : J - 858 工程名稱 : 將軍澳日出康城 LP 11
 工程項目 : 幕牆 圖紙上載 + 拆圖指示 675 陣修改
 收件人 : 生統 / 拆圖 發件人 : Ant Yeung 日期 : 22/08/2023

要求提供 / 確認 事項 :

- | | | |
|------------------------------------|-------------------------------------|-------------------------------|
| <input type="checkbox"/> 初步鋁料 B.M. | <input type="checkbox"/> 加工拆圖, 然後生產 | <input type="checkbox"/> 尺寸表 |
| <input type="checkbox"/> 正式鋁料 B.M. | <input type="checkbox"/> 技術上資料 / 指示 | <input type="checkbox"/> 報價 |
| <input type="checkbox"/> 配件 B.M. | <input type="checkbox"/> 樣辦或貨品說明書 | <input type="checkbox"/> 分判合約 |
- 內容 :

因應則師修改頂層幕牆的死牆分隔高度, 請修改各項拆圖。先給 CW 玻璃, 再給 G 玻璃。

附上最新圖紙

請在 2023.08.30 前完成上列要求。

分發東莞各部門 :

- | | | | |
|--|---|--|--|
| <input type="checkbox"/> 生產技術總監 <input type="checkbox"/> 連附件 | <input checked="" type="checkbox"/> 技術部 <input checked="" type="checkbox"/> 連附件 | <input type="checkbox"/> 生產部 <input type="checkbox"/> 連附件 | <input type="checkbox"/> 機械設計部 <input type="checkbox"/> 連附件 |
| <input type="checkbox"/> 採購部 <input type="checkbox"/> 連附件 | <input checked="" type="checkbox"/> 生產統籌部 <input checked="" type="checkbox"/> 連附件 | <input checked="" type="checkbox"/> 小羅 & 清 <input checked="" type="checkbox"/> 連附件 | |
| <input type="checkbox"/> 質檢部 <input type="checkbox"/> 連附件 | <input type="checkbox"/> 會計部 <input type="checkbox"/> 連附件 | <input type="checkbox"/> 報關組 <input type="checkbox"/> 連附件 | <input type="checkbox"/> 其他 _____ <input type="checkbox"/> 連附件 |

分發香港各部門 :

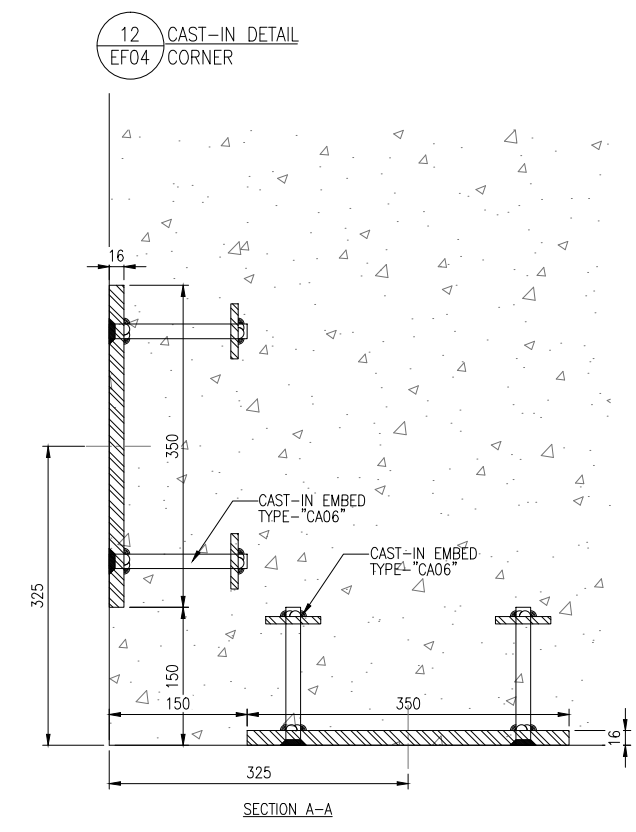
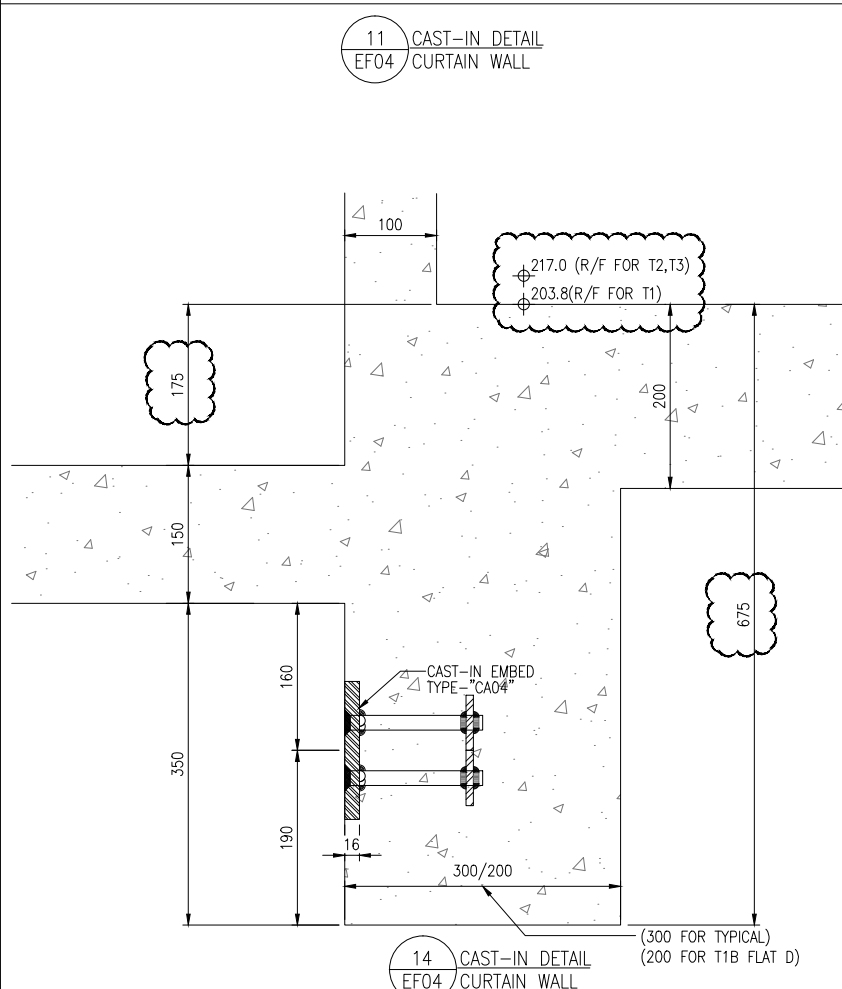
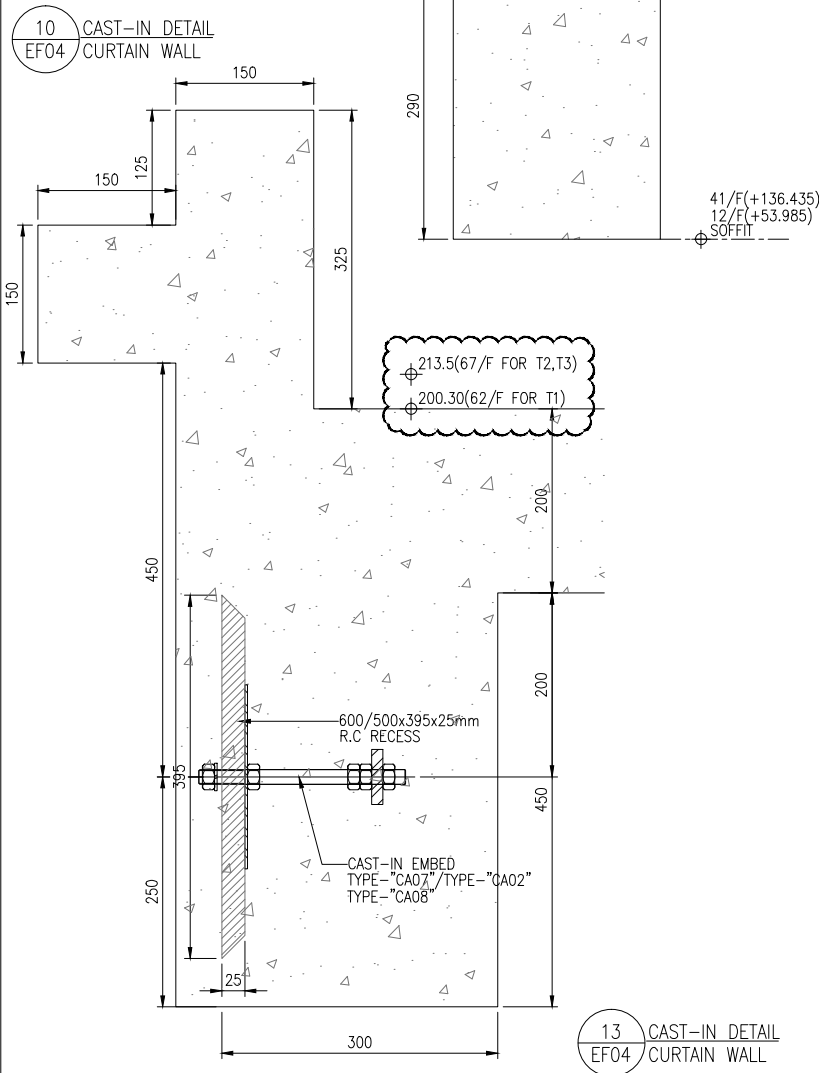
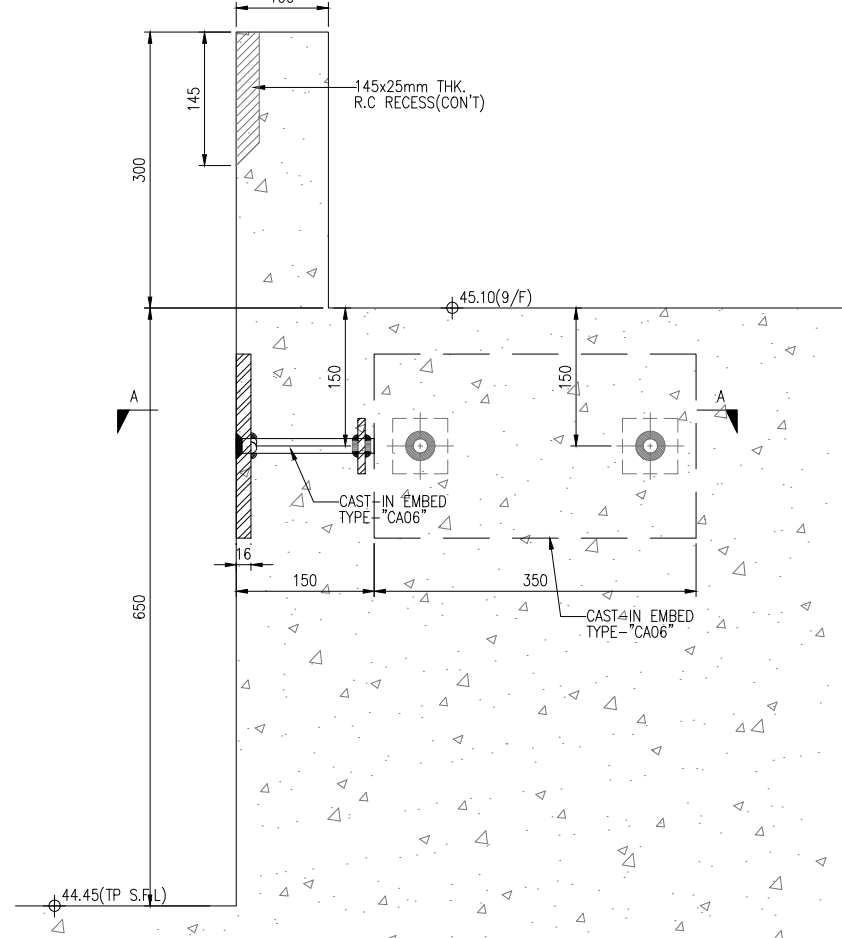
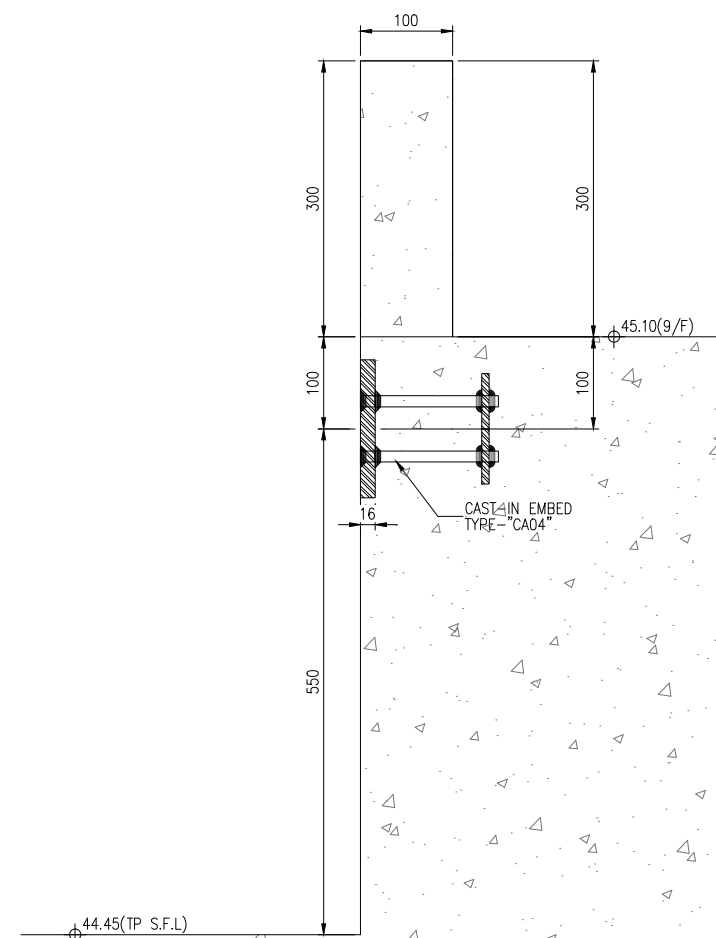
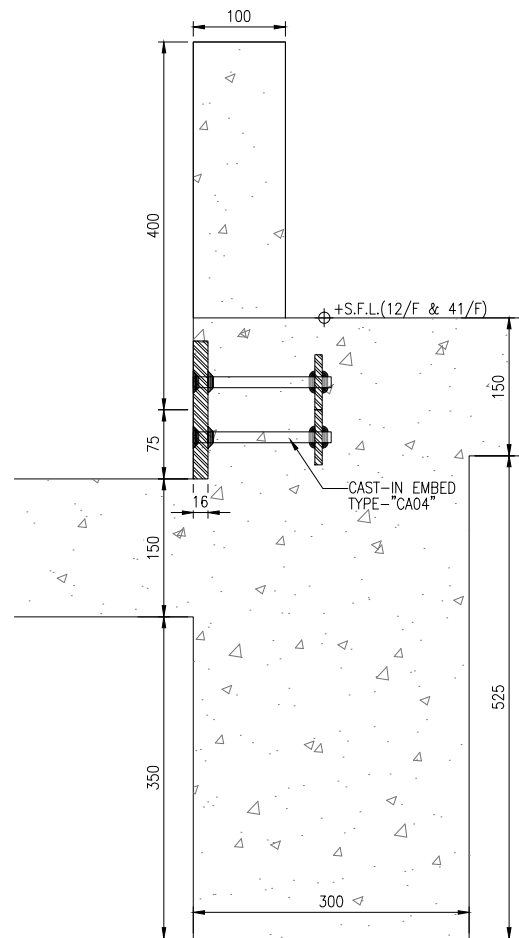
- | | | | |
|---|--|---|--|
| <input type="checkbox"/> 行政部 <input type="checkbox"/> 連附件 | <input type="checkbox"/> 會計部 <input type="checkbox"/> 連附件 | <input type="checkbox"/> 統籌部 <input type="checkbox"/> 連附件 | <input type="checkbox"/> 工程部地盤科文 積哥 <input type="checkbox"/> 連附件 |
| <input type="checkbox"/> 採購部 <input type="checkbox"/> 連附件 | <input type="checkbox"/> QS 部 <input type="checkbox"/> 連附件 | <input type="checkbox"/> 維修部 <input type="checkbox"/> 連附件 | <input type="checkbox"/> 其他 _____ <input type="checkbox"/> 連附件 |

傳遞編號 :

HK 1885123

發件人簽署 :

項目經理簽署 :



B.D. REF :

CLIENT :
 信和置業有限公司
 Sino Land Company Limited

ARCHITECT :
 ronald lu & partners
 Architects, Planners, Interior Designers
 Ronald Lu & Partners (HK) Ltd.
 呂元祥建築師事務所 (香港) 有限公司

MAIN CONTRACTOR :
 Gammon

STRUCTURAL ENGINEER :
 AECOM

FACADE CONSULTANT:
 AECOM

NOTE :
 1. ALL DIMENSIONS ARE IN mm.
 2. ALL ELEVATIONS ARE VIEWED FROM OUTSIDE.
 3. ALL DIMENSIONS TO BE VERIFIED ON SITE BEFORE FABRICATION.

LEGEND :
 X1 --- DETAIL MARK NO.
 X001 --- REFER SHEET NO.

1. F.F.L. --- FINISHED FLOOR LEVEL
 2. S.F.L. --- STRUCTURAL FLOOR LEVEL
 3. (R) --- REVERSED DETAIL

NO.	DATE	REVISED	BY
G	14/08/23	REVISED AS PER COMMENTS	LS
F	26/07/22	REVISED AS PER COMMENTS	LS
E	25/05/22	REVISED AS PER COMMENTS	LS
D	06/04/22	REVISED AS PER COMMENTS	LS
C	22/02/22	REVISED AS PER COMMENTS	LS
B	14/12/21	REVISED AS PER COMMENTS	LS
A	03/12/21	REVISED AS PER COMMENTS	LS

JOB NO. : J-858
 PROJECT : PROPOSED RESIDENTIAL DEVELOPMENT AT TKOIL 70RP, PHASE 11, LOHAS PARK TSEUNG KWAN O, N.T.

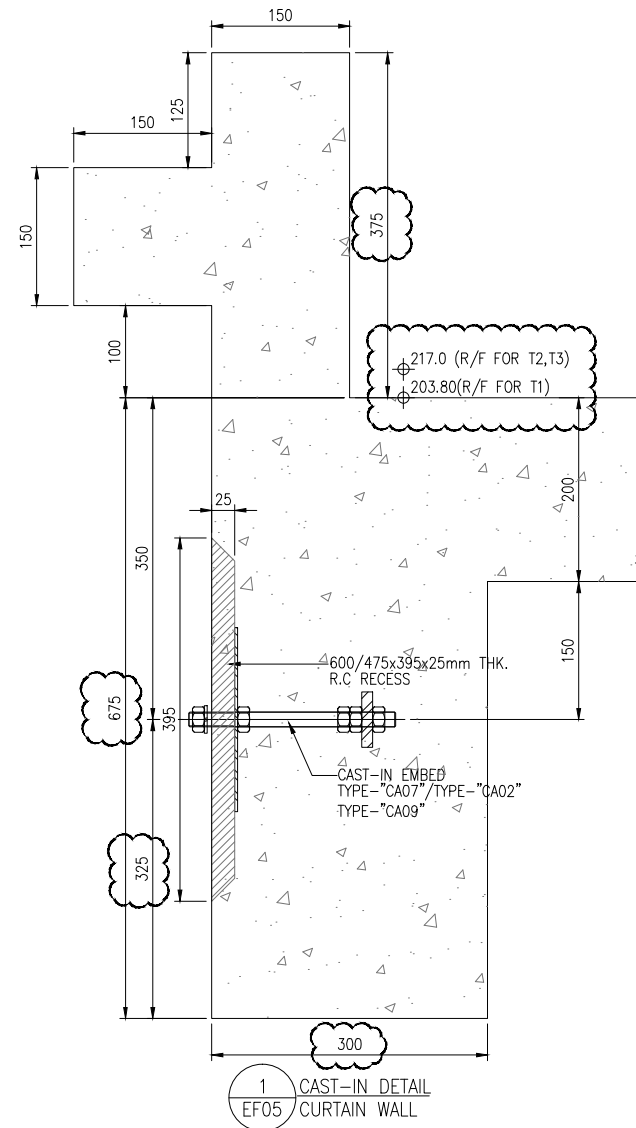
TITLE : CURTAIN WALL EMBED DETAIL AT TOWER 1, 2, 3

DATE : 22-OCT-21 SCALE : 1:4(A1)

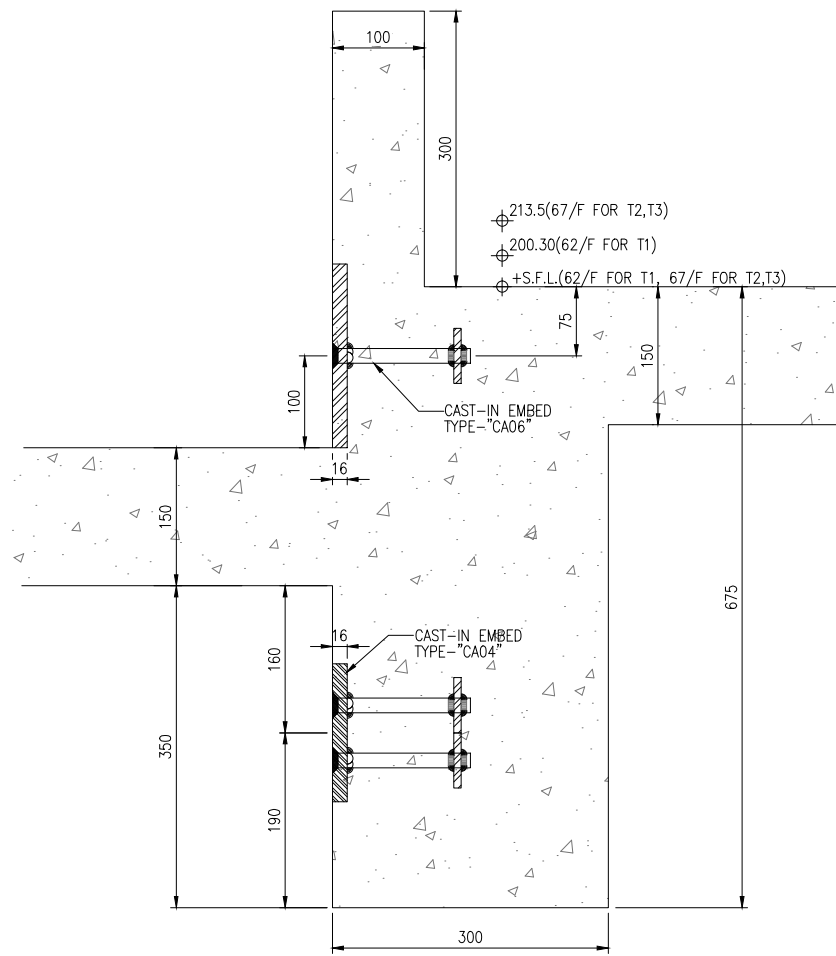
DRAWN BY : KY CHECKED BY : YB

美特鋁質有限公司
 MIDI ALUMINIUM FABRICATOR LTD.
 Units 6-8, Sunray Industrial Centre, 1/F
 610 Cha Kwo Ling Road, Kowloon
 Tel:23489211-4 Fax:(852)27727666

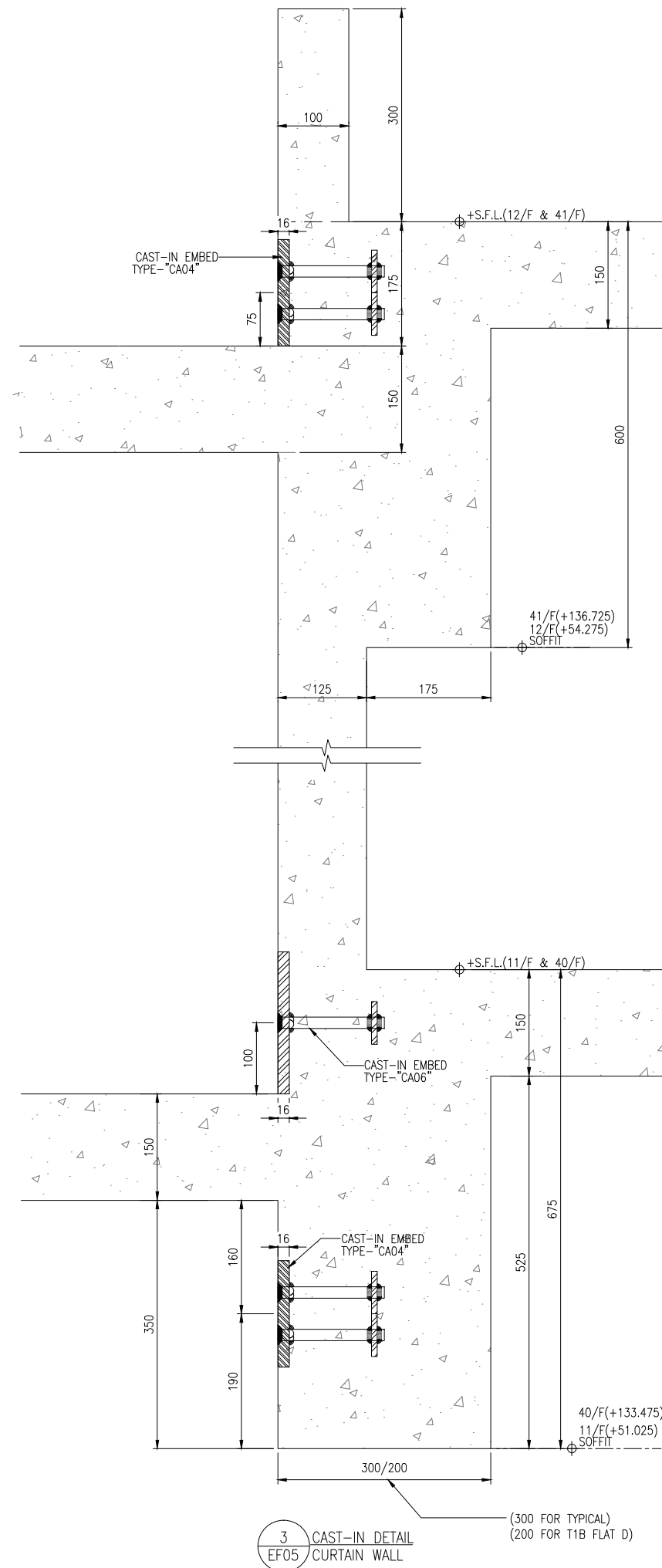
DWG NO. : J858-CW-EF04 REV. : G



1 CAST-IN DETAIL
EF05 CURTAIN WALL



2 CAST-IN DETAIL
EF05 CURTAIN WALL



3 CAST-IN DETAIL
EF05 CURTAIN WALL

B.D. REF :

CLIENT :
信和置業有限公司
Sino Land Company Limited

ARCHITECT :
ronald lu & partners
Architects, Planners, Interior Designers
Ronald Lu & Partners (HK) Ltd.
呂元祥建築師事務所 (香港) 有限公司

MAIN CONTRACTOR :
Gammon

STRUCTURAL ENGINEER :
AECOM

FACADE CONSULTANT:
AECOM

NOTE :
1. ALL DIMENSIONS ARE IN mm.
2. ALL ELEVATIONS ARE VIEWED FROM OUTSIDE.
3. ALL DIMENSIONS TO BE VERIFIED ON SITE BEFORE FABRICATION.

LEGEND :
X1 --- DETAIL MARK NO.
X001 --- REFER SHEET NO.

1. F.F.L. --- FINISHED FLOOR LEVEL
2. S.F.L. --- STRUCTURAL FLOOR LEVEL
3. (R) --- REVERSED DETAIL

D	14/08/23	REVISED AS PER COMMENTS	LS
C	28/09/22	REVISED AS PER COMMENTS	LS
B	26/07/22	REVISED AS PER COMMENTS	LS
A	25/05/22	REVISED AS PER COMMENTS	LS
NO.	DATE	REVISED	BY

JOB NO. : J-858
PROJECT : PROPOSED RESIDENTIAL DEVELOPMENT AT TKOTL 70RP, PHASE 11, LOHAS PARK TSEUNG KWAN O, N.T.

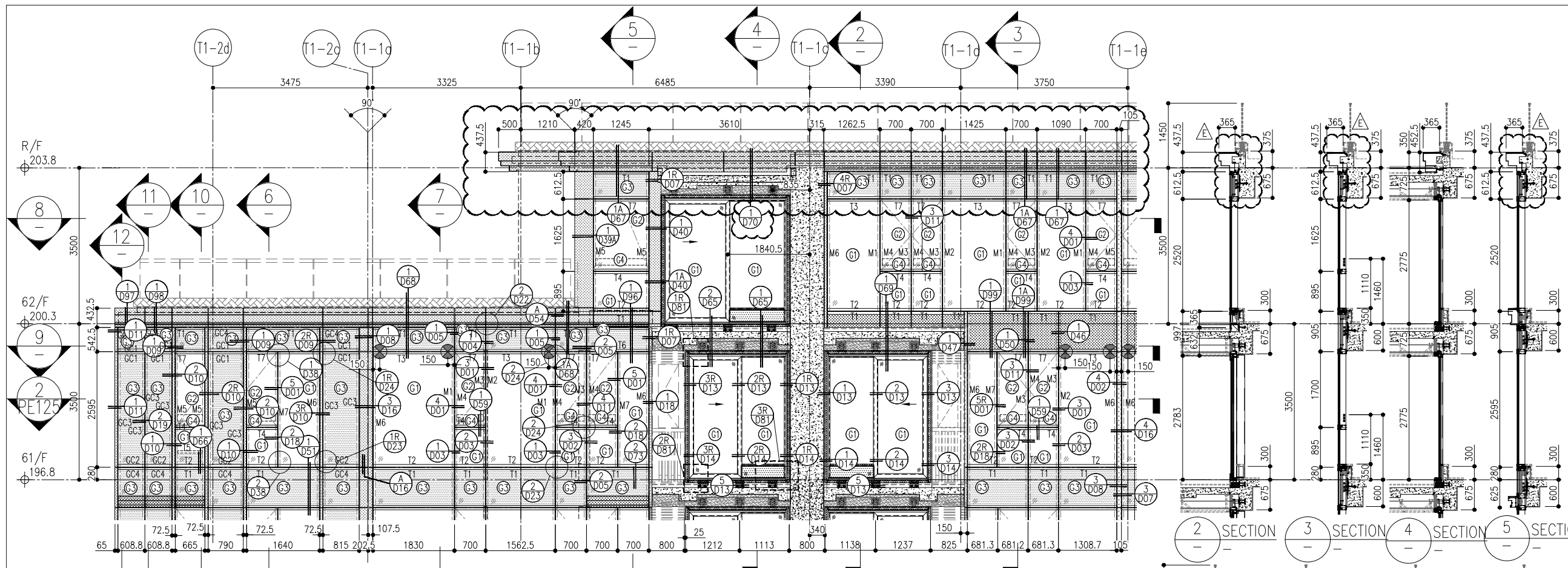
TITLE : CURTAIN WALL EMBED DETAIL AT TOWER 1, 2, 3

DATE : 22-OCT-21 SCALE : 1:4(A1)

DRAWN BY : KY CHECKED BY : YB

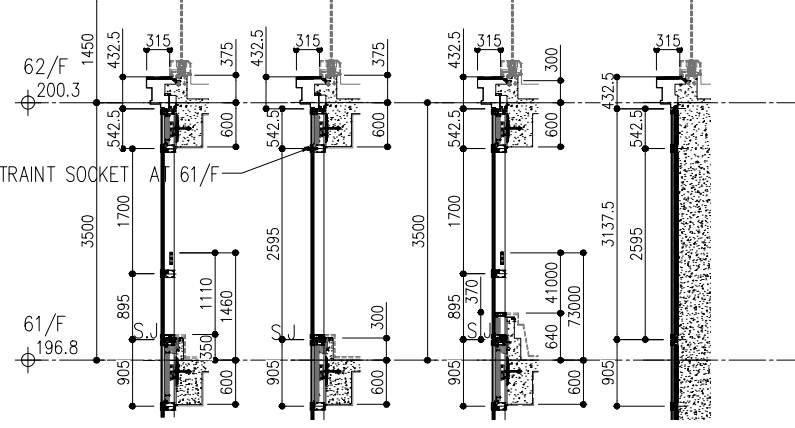
MIDI ALUMINIUM FABRICATOR LTD.
Units 6-8, Sunray Industrial Centre, 1/F
610 Cha Kwo Ling Road, Kowloon
Tel: 23489211-4 Fax: (852) 2727666

DWG NO. : J858-CW-EF05 REV. : D

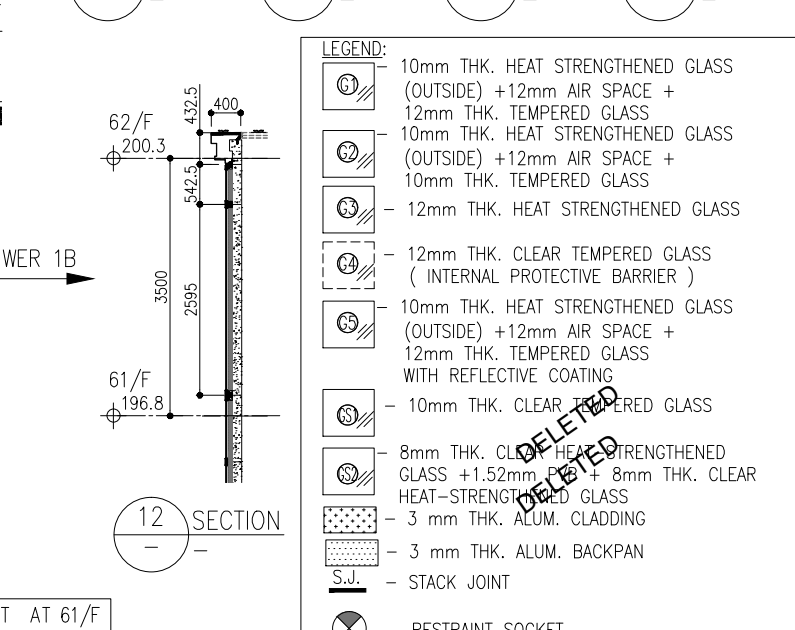


1 PART ELEVATION FOR CURTAIN WALL

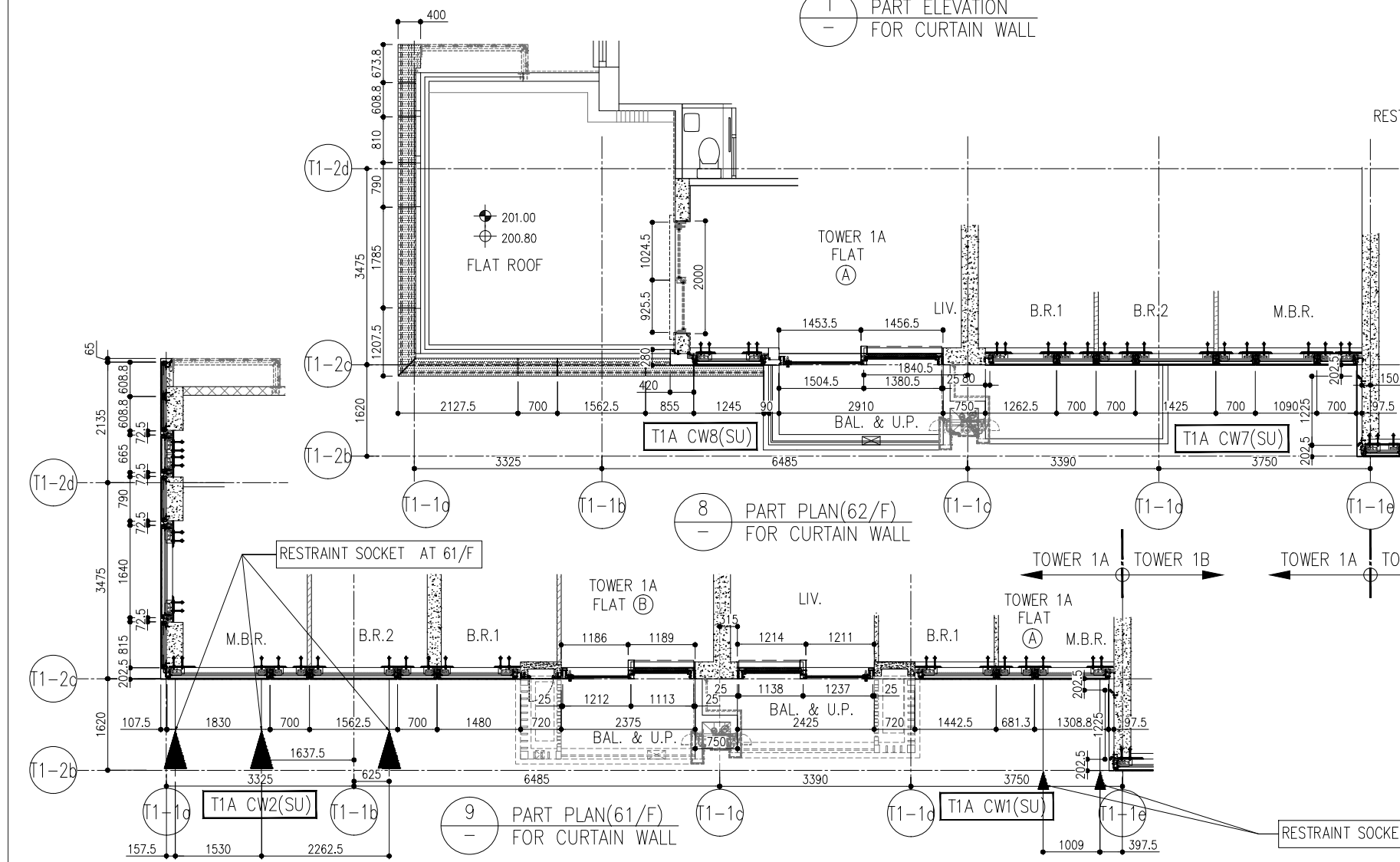
2 SECTION 3 SECTION 4 SECTION 5 SECTION



6 SECTION 7 SECTION 10 SECTION 11 SECTION



- LEGEND:**
- (G) 10mm THK. HEAT STRENGTHENED GLASS (OUTSIDE) + 12mm AIR SPACE + 12mm THK. TEMPERED GLASS
 - (G2) 10mm THK. HEAT STRENGTHENED GLASS (OUTSIDE) + 12mm AIR SPACE + 10mm THK. TEMPERED GLASS
 - (G3) 12mm THK. HEAT STRENGTHENED GLASS
 - (G4) 12mm THK. CLEAR TEMPERED GLASS (INTERNAL PROTECTIVE BARRIER)
 - (G5) 10mm THK. HEAT STRENGTHENED GLASS (OUTSIDE) + 12mm AIR SPACE + 12mm THK. TEMPERED GLASS WITH REFLECTIVE COATING
 - (G6) 10mm THK. CLEAR TEMPERED GLASS
 - (G7) 8mm THK. CLEAR HEAT STRENGTHENED GLASS + 1.52mm THK. HEAT-STRENGTHENED GLASS
 - (S.J.) 3 mm THK. ALUM. CLADDING
 - (S.B.) 3 mm THK. ALUM. BACKPAN
 - (S.J.) - STACK JOINT
 - (RS) - RESTRAINT SOCKET



8 PART PLAN(62/F) FOR CURTAIN WALL

9 PART PLAN(61/F) FOR CURTAIN WALL

B.D. REF :

CLIENT :
 信和置業有限公司
 Sino Land Company Limited

ARCHITECT :
 ronald lu & partners
 Architects, Planners, Interior Designers
 Ronald Lu & Partners (HK) Ltd.
 呂元祥建築師事務所 (香港) 有限公司

MAIN CONTRACTOR :
 Gammon

STRUCTURAL ENGINEER :
 AECOM

FAÇADE CONSULTANT:
 AECOM

NOTE :
 1. ALL DIMENSIONS ARE IN mm.
 2. ALL ELEVATIONS ARE VIEWED FROM OUTSIDE.
 3. ALL DIMENSIONS TO BE VERIFIED ON SITE BEFORE FABRICATION.

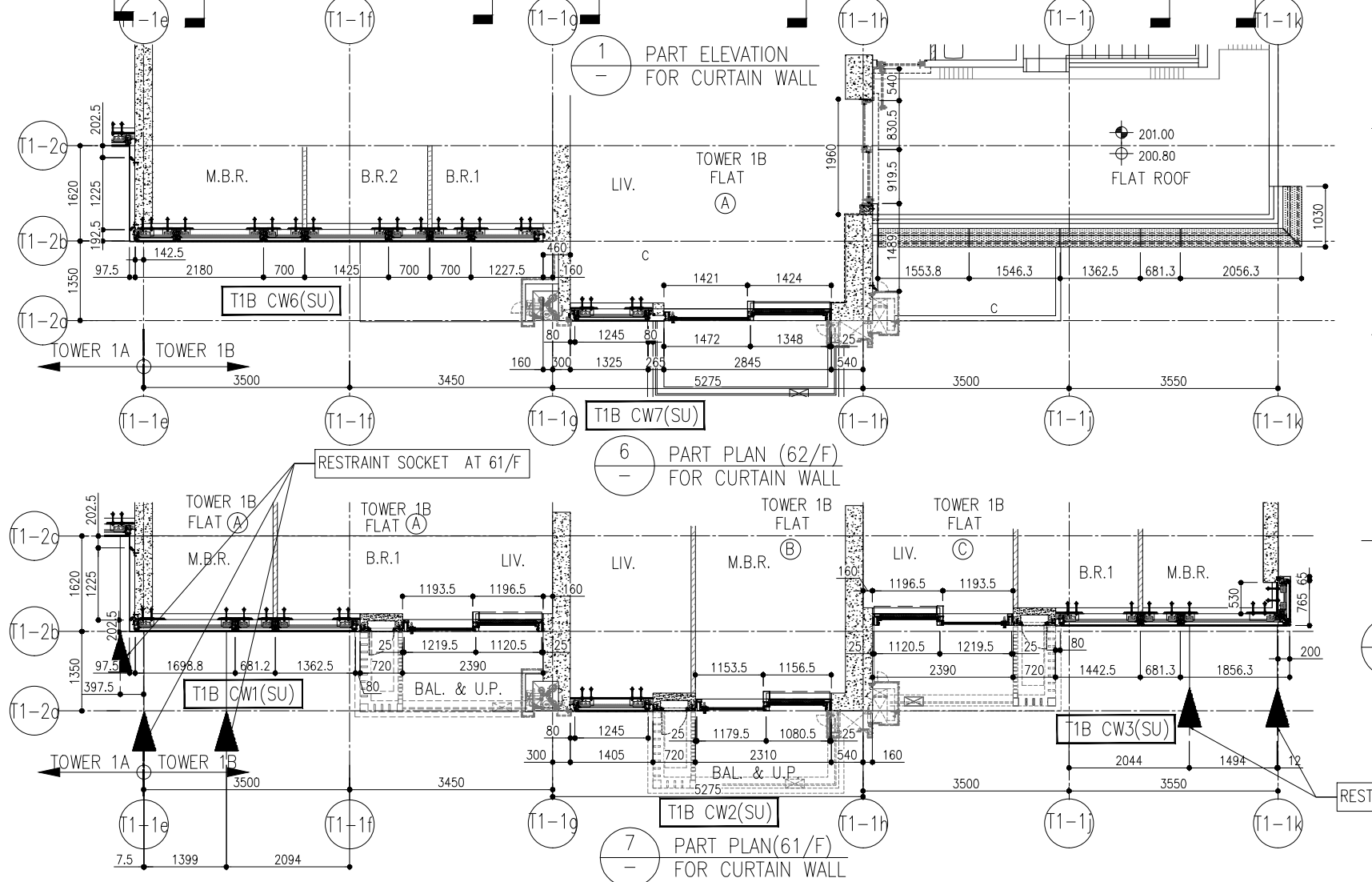
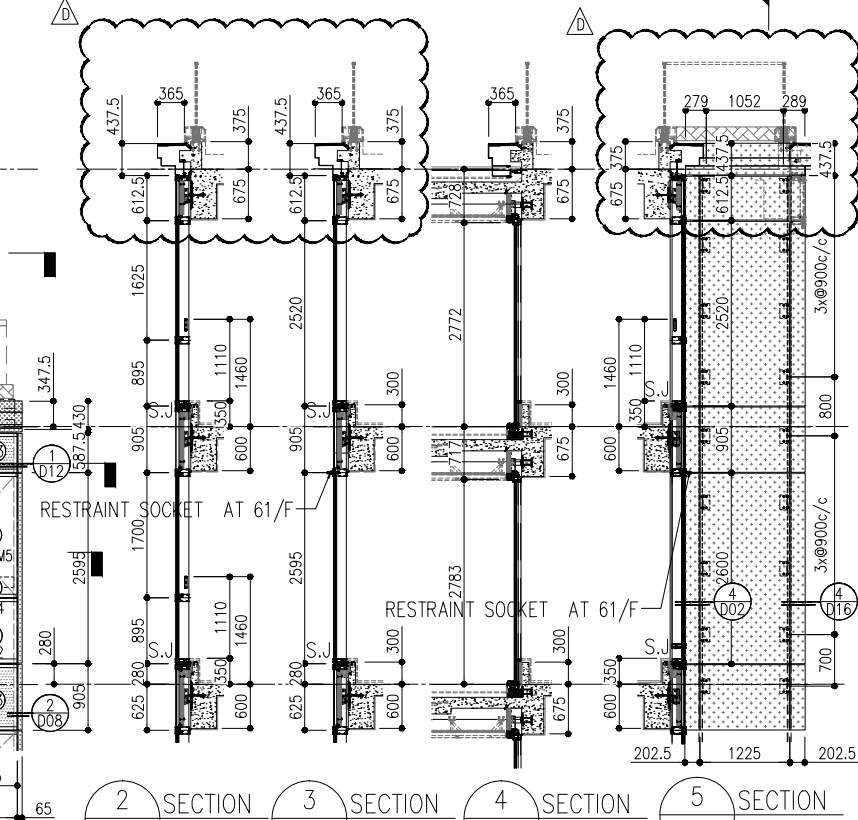
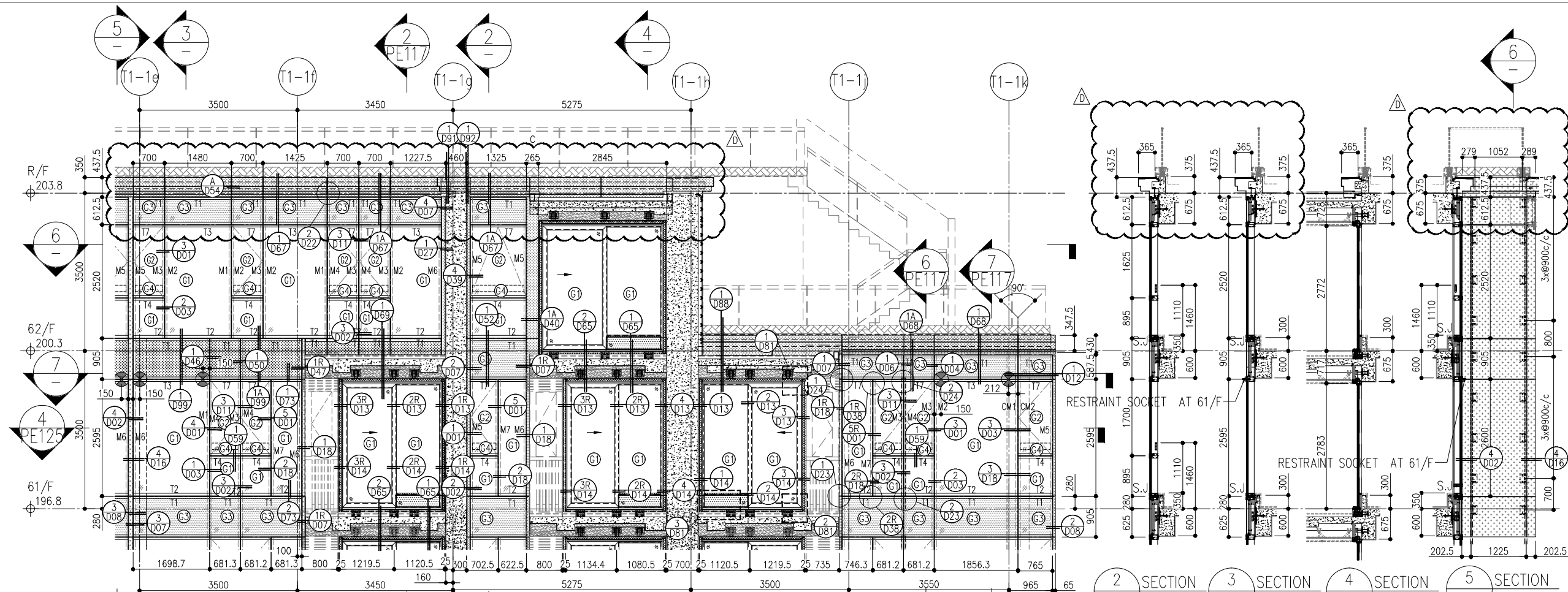
LEGEND :
 (X1) - DETAIL MARK NO.
 (X001) - REFER SHEET NO.
 1. F.F.L. -- FINISHED FLOOR LEVEL
 2. S.F.L. -- STRUCTURAL FLOOR LEVEL
 3. (R) -- REVERSED DETAIL

NO.	DATE	REVISED	BY
E	14/08/23	REVISED AS PER COMMENTS	LS
D	18/04/23	REVISED AS PER COMMENTS	LS
C	26/07/22	REVISED AS PER COMMENTS	LS
B	26/05/22	REVISED AS PER COMMENTS	LS
A	13/04/22	REVISED AS PER COMMENTS	LS

JOB NO. : J-858
 PROJECT :
 PROPOSED RESIDENTIAL DEVELOPMENT
 AT TKOIL 70RP, PHASE 11, LOHAS PARK
 TSEUNG KWAN O, N.T.

TITLE :
 PENTHOUSE FLOOR PARTIAL
 ELEVATION & SECTION, PLAN
 FOR CURTAIN WALL (TOWER 1)

DATE : 12-JAN-22 SCALE : 1:50(A1)
 DRAWN BY : CHECKED BY :
 美特鋁質有限公司
 MIDI ALUMINIUM FABRICATOR LTD.
 Units 6-8, Sunray Industrial Centre, 1/F
 610 Cha Kwo Ling Road, Kowloon
 Tel: 23489211-4 Fax: (852) 27727666
 DWG NO. : J858-CW-PE117 REV. : E



- LEGEND:**
- 10mm THK. HEAT STRENGTHENED GLASS (OUTSIDE) + 12mm AIR SPACE + 12mm THK. TEMPERED GLASS
 - 10mm THK. HEAT STRENGTHENED GLASS (OUTSIDE) + 12mm AIR SPACE + 10mm THK. TEMPERED GLASS
 - 12mm THK. HEAT STRENGTHENED GLASS
 - 12mm THK. CLEAR TEMPERED GLASS (INTERNAL PROTECTIVE BARRIER)
 - 10mm THK. HEAT STRENGTHENED GLASS (OUTSIDE) + 12mm AIR SPACE + 12mm THK. TEMPERED GLASS WITH REFLECTIVE COATING
 - 10mm THK. CLEAR TEMPERED GLASS
 - 8mm THK. CLEAR HEAT-STRENGTHENED GLASS + 1.52mm ALUM. BACKPAN + 8mm THK. CLEAR HEAT-STRENGTHENED GLASS
 - 3mm THK. ALUM. CLADDING
 - 3mm THK. ALUM. BACKPAN
 - STACK JOINT
 - RESTRAINT SOCKET

B.D. REF :

CLIENT : 信和置業有限公司
Sino Land Company Limited

ARCHITECT : ronald lu & partners
Architects, Planners, Interior Designers
Ronald Lu & Partners (HK) Ltd.
呂元祥建築師事務所 (香港) 有限公司

MAIN CONTRACTOR : Gammon

STRUCTURAL ENGINEER : AECOM

FACADE CONSULTANT : AECOM

NOTE :

- ALL DIMENSIONS ARE IN mm.
- ALL ELEVATIONS ARE VIEWED FROM OUTSIDE.
- ALL DIMENSIONS TO BE VERIFIED ON SITE BEFORE FABRICATION.

LEGEND :

- X1 - DETAIL MARK NO.
- X001 - REFER SHEET NO.

- F.F.L. -- FINISHED FLOOR LEVEL
- S.F.L. -- STRUCTURAL FLOOR LEVEL
- (R) -- REVERSED DETAIL

NO.	DATE	REVISED	BY
D	14/08/23	REVISED AS PER COMMENTS	LS
C	18/04/23	REVISED AS PER COMMENTS	LS
B	26/07/22	REVISED AS PER COMMENTS	LS
A	13/04/22	REVISED AS PER COMMENTS	LS

JOB NO. : J-858

PROJECT : PROPOSED RESIDENTIAL DEVELOPMENT AT TKOIL 70RP, PHASE 11, LOHAS PARK TSEUNG KWAN O, N.T.

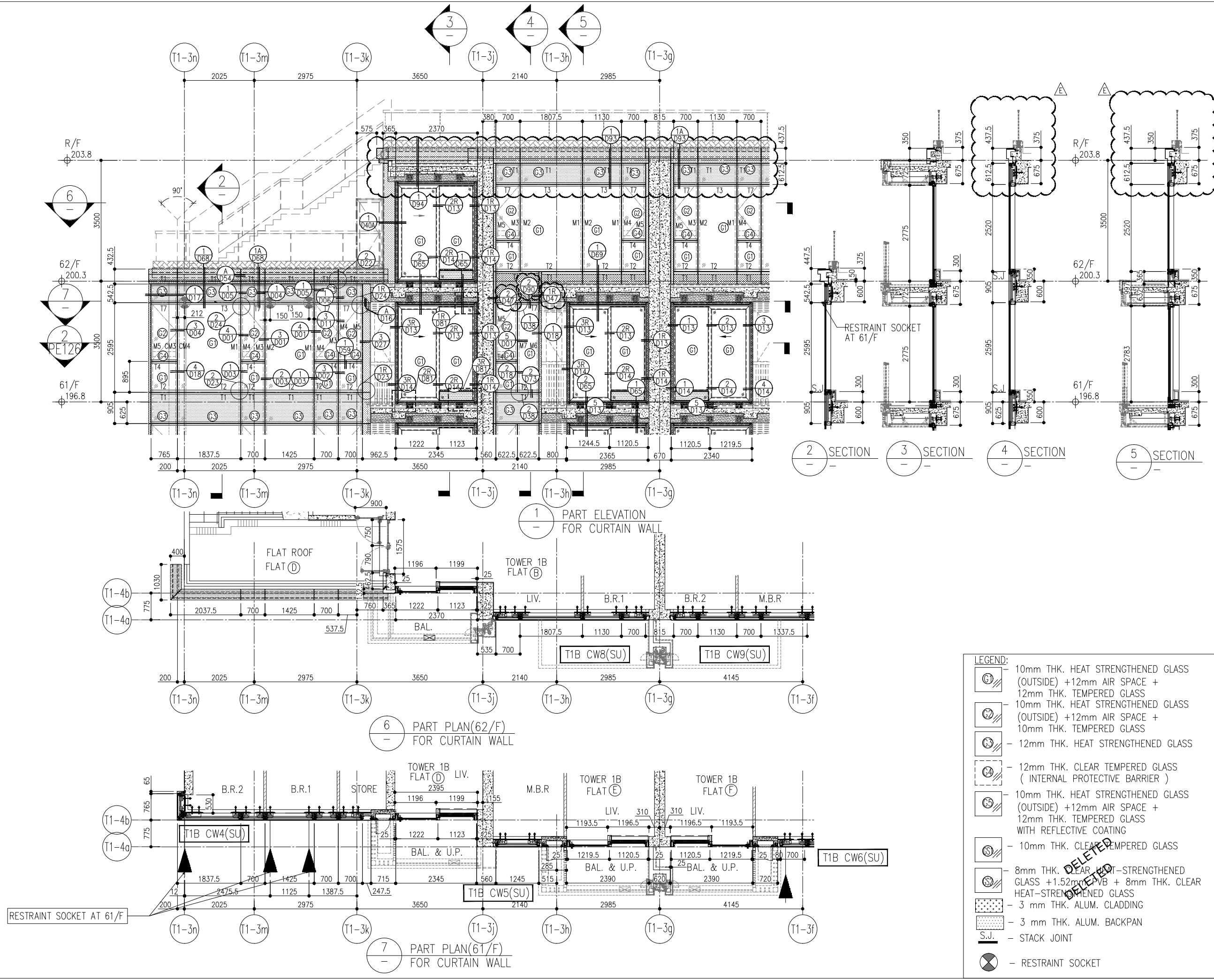
TITLE : PENTHOUSE FLOOR PARTIAL ELEVATION & SECTION, PLAN FOR CURTAIN WALL (TOWER 1)

DATE : 12-JAN-22 SCALE : 1:50(A1)

DRAWN BY : CHECKED BY :

美特鋁質有限公司
MIDI ALUMINIUM FABRICATOR LTD.
Units 6-8, Sunray Industrial Centre, 1/F
610 Cha Kwo Ling Road, Kowloon
Tel: 23489211-4 Fax: (852) 27727666

DWG NO. : J858-CW-PE118 REV. : D



B.D. REF :

CLIENT :
 信和置業有限公司
 Sino Land Company Limited

ARCHITECT :
 ronald lu & partners
 Architects, Planners, Interior Designers
 Ronald Lu & Partners (HK) Ltd.
 呂元祥建築師事務所 (香港) 有限公司

MAIN CONTRACTOR :
 Gammon

STRUCTURAL ENGINEER :
 AECOM

FAÇADE CONSULTANT:
 AECOM

NOTE :
 1. ALL DIMENSIONS ARE IN mm.
 2. ALL ELEVATIONS ARE VIEWED FROM OUTSIDE.
 3. ALL DIMENSIONS TO BE VERIFIED ON SITE BEFORE FABRICATION.

LEGEND :
 X1 --- DETAIL MARK NO.
 X001 --- REFER SHEET NO.

1. F.F.L. --- FINISHED FLOOR LEVEL
 2. S.F.L. --- STRUCTURAL FLOOR LEVEL
 3. (R) --- REVERSED DETAIL

NO.	DATE	REVISED	BY
D	18/04/23	REVISED AS PER COMMENTS	LS
C	18/08/22	REVISED AS PER COMMENTS	LS
B	27/07/22	REVISED AS PER COMMENTS	LS
A	13/04/22	REVISED AS PER COMMENTS	LS

JOB NO. : J-858
 PROJECT : PROPOSED RESIDENTIAL DEVELOPMENT AT TKOTL 70RP, PHASE 11, LOHAS PARK TSEUNG KWAN O, N.T.

TITLE : PENTHOUSE FLOOR PARTIAL ELEVATION & SECTION, PLAN FOR CURTAIN WALL (TOWER 1)

DATE : 12-JAN-22 SCALE : 1:50(A1)

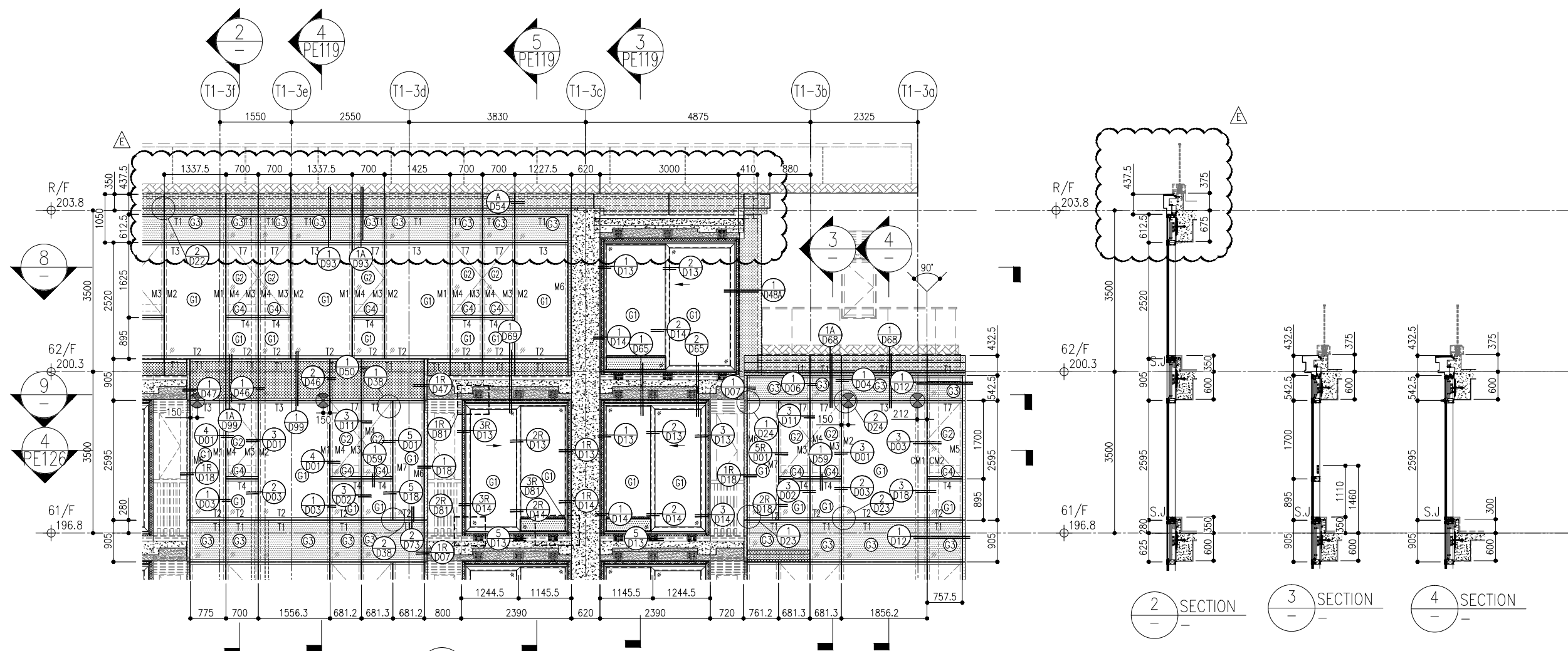
DRAWN BY : CHECKED BY :

美特鋁質有限公司
 MIDI ALUMINIUM FABRICATOR LTD.
 Units 6-8, Sunray Industrial Centre, 1/F
 610 Cha Kwo Ling Road, Kowloon
 Tel: 23489211-4 Fax: (852) 27727666

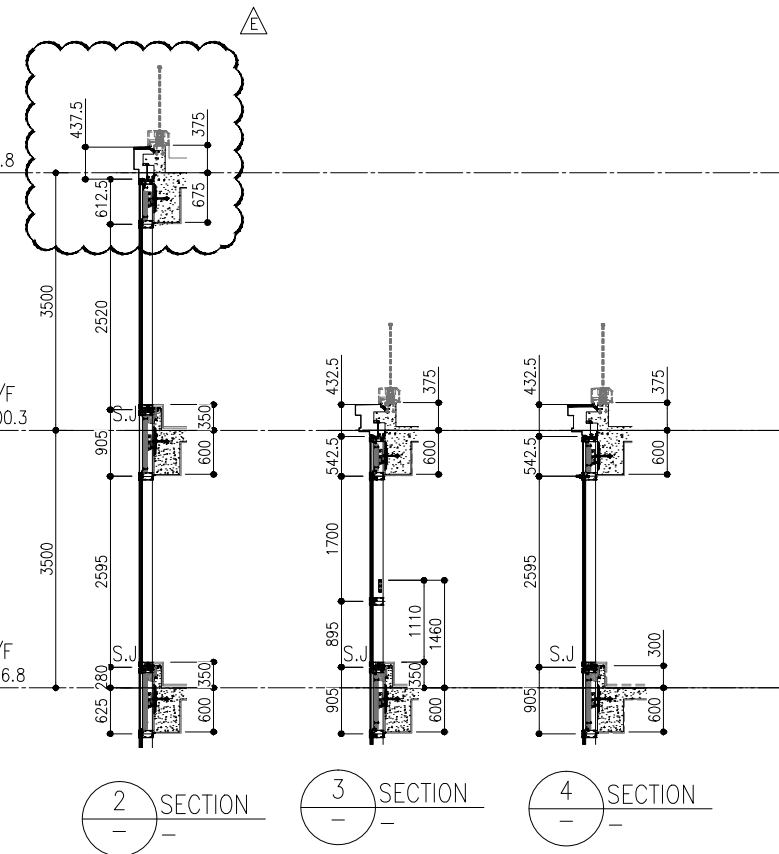
DWG NO. : J858-CW-PE119 REV. : D

LEGEND:

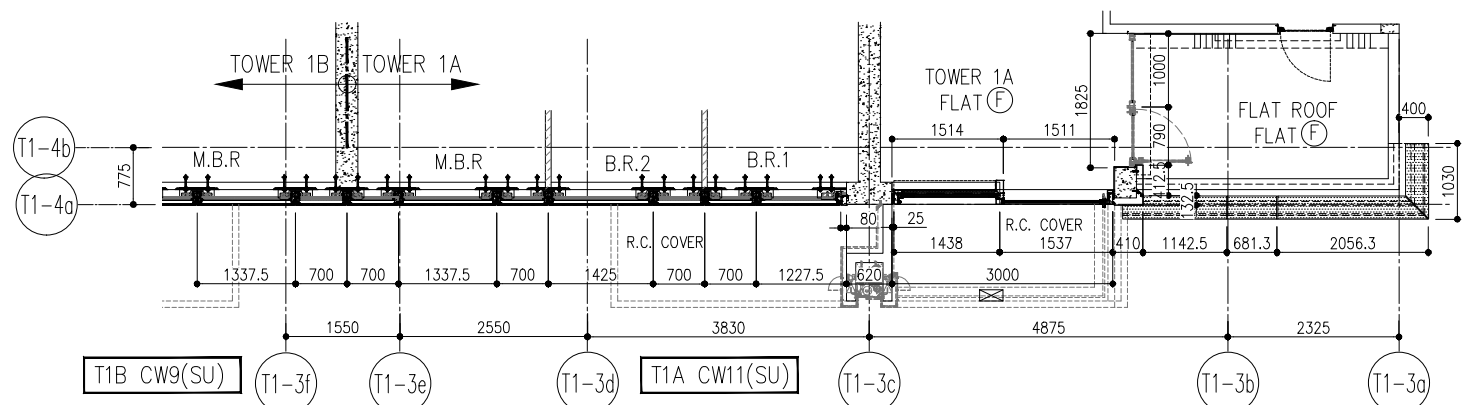
- 10mm THK. HEAT STRENGTHENED GLASS (OUTSIDE) +12mm AIR SPACE + 12mm THK. TEMPERED GLASS
- 10mm THK. HEAT STRENGTHENED GLASS (OUTSIDE) +12mm AIR SPACE + 10mm THK. TEMPERED GLASS
- 12mm THK. HEAT STRENGTHENED GLASS
- 12mm THK. CLEAR TEMPERED GLASS (INTERNAL PROTECTIVE BARRIER)
- 10mm THK. HEAT STRENGTHENED GLASS (OUTSIDE) +12mm AIR SPACE + 12mm THK. TEMPERED GLASS WITH REFLECTIVE COATING
- 10mm THK. CLEAR TEMPERED GLASS
- 8mm THK. CLEAR HEAT-STRENGTHENED GLASS +1.52mm PVB + 8mm THK. CLEAR HEAT-STRENGTHENED GLASS
- 3 mm THK. ALUM. CLADDING
- 3 mm THK. ALUM. BACKPAN
- S.J. --- STACK JOINT
- RESTRAINT SOCKET



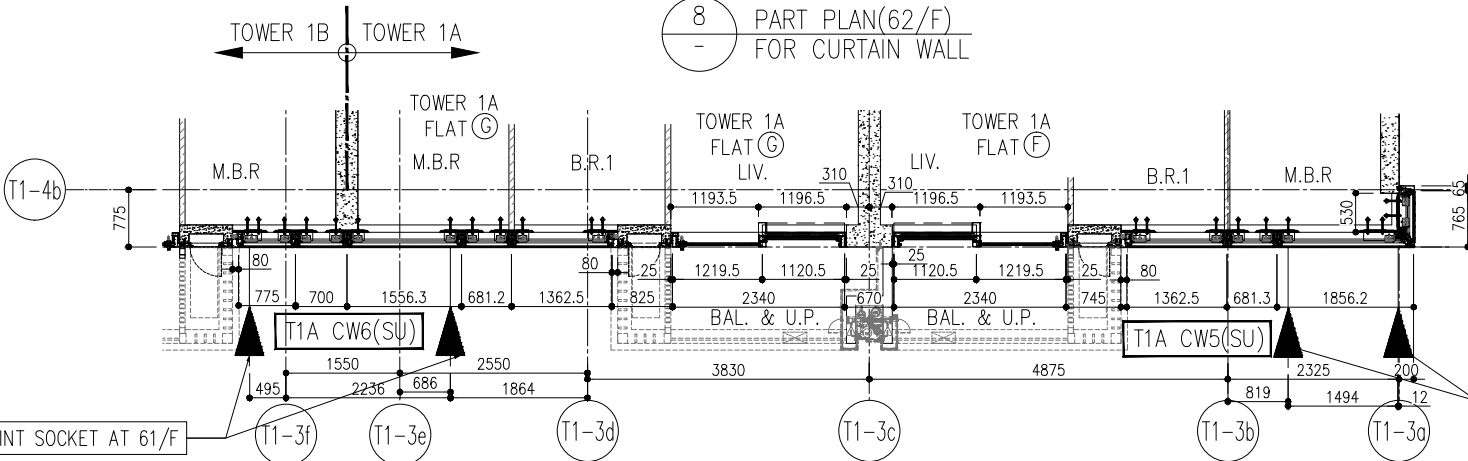
1 PART ELEVATION FOR CURTAIN WALL



2 SECTION
3 SECTION
4 SECTION



8 PART PLAN(62/F) FOR CURTAIN WALL



9 PART PLAN(61/F) FOR CURTAIN WALL

- LEGEND:**
- 10mm THK. HEAT STRENGTHENED GLASS (OUTSIDE) + 12mm AIR SPACE + 12mm THK. TEMPERED GLASS
 - 10mm THK. HEAT STRENGTHENED GLASS (OUTSIDE) + 12mm AIR SPACE + 10mm THK. TEMPERED GLASS
 - 12mm THK. HEAT STRENGTHENED GLASS
 - 12mm THK. CLEAR TEMPERED GLASS (INTERNAL PROTECTIVE BARRIER)
 - 10mm THK. HEAT STRENGTHENED GLASS (OUTSIDE) + 12mm AIR SPACE + 12mm THK. TEMPERED GLASS WITH REFLECTIVE COATING
 - 10mm THK. CLEAR TEMPERED GLASS
 - 8mm THK. CLEAR HEAT-STRENGTHENED GLASS + 1.52mm ALU. WB + 8mm THK. CLEAR HEAT-STRENGTHENED GLASS
 - 3 mm THK. ALUM. CLADDING
 - 3 mm THK. ALUM. BACKPAN
 - STACK JOINT
 - RESTRAINT SOCKET

B.D. REF :

CLIENT :
信和置業有限公司
Sino Land Company Limited

ARCHITECT :
ronald lu & partners
Architects, Planners, Interior Designers
Ronald Lu & Partners (HK) Ltd.
呂元祥建築師事務所 (香港) 有限公司

MAIN CONTRACTOR :
Gammon

STRUCTURAL ENGINEER :
AECOM

FACADE CONSULTANT:
AECOM

NOTE :
1. ALL DIMENSIONS ARE IN mm.
2. ALL ELEVATIONS ARE VIEWED FROM OUTSIDE.
3. ALL DIMENSIONS TO BE VERIFIED ON SITE BEFORE FABRICATION.

LEGEND :
X1 - DETAIL MARK NO.
X001 - REFER SHEET NO.

1. F.F.L. -- FINISHED FLOOR LEVEL
2. S.F.L. -- STRUCTURAL FLOOR LEVEL
3. (R) -- REVERSED DETAIL

NO.	DATE	REVISED	BY
E	14/08/23	REVISED AS PER COMMENTS	LS
D	18/04/23	REVISED AS PER COMMENTS	LS
C	18/08/22	REVISED AS PER COMMENTS	LS
B	27/07/22	REVISED AS PER COMMENTS	LS
A	13/04/22	REVISED AS PER COMMENTS	LS

JOB NO. : J-858
PROJECT : PROPOSED RESIDENTIAL DEVELOPMENT AT TKOIL 70RP, PHASE 11, LOHAS PARK TSEUNG KWAN O, N.T.

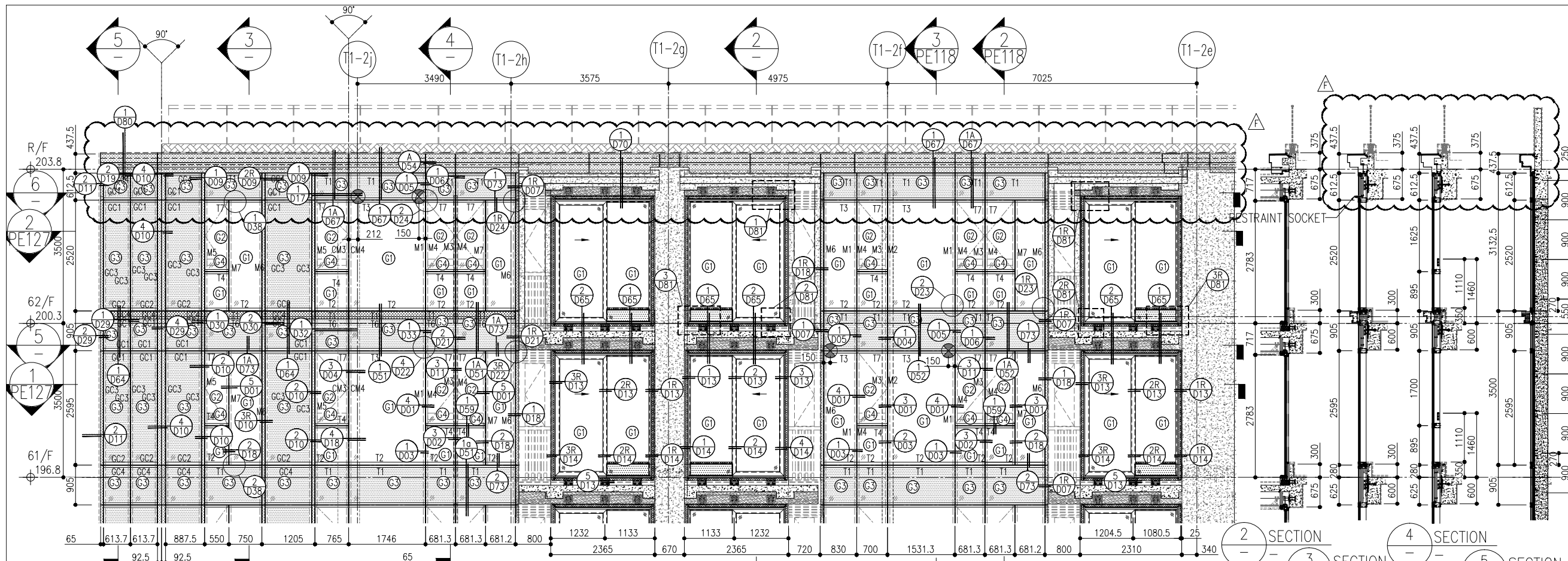
TITLE : PENTHOUSE FLOOR PARTIAL ELEVATION & SECTION, PLAN FOR CURTAIN WALL (TOWER 1)

DATE : 12-JAN-22 SCALE : 1:50(A1)

DRAWN BY : CHECKED BY :

美特鋁質有限公司
MIDI ALUMINIUM FABRICATOR LTD.
Units 6-8, Sunray Industrial Centre, 1/F
610 Cha Kwo Ling Road, Kowloon
Tel: 23489211-4 Fax: (852) 27727666

DWG NO. : J858-CW-PE120 REV. : E



B.D. REF :

CLIENT :
 信和置業有限公司
 Sino Land Company Limited

ARCHITECT :
 ronald lu & partners
 Architects, Planners, Interior Designers
 Ronald Lu & Partners (HK) Ltd.
 呂元祥建築師事務所 (香港) 有限公司

MAIN CONTRACTOR :
 Gammon

STRUCTURAL ENGINEER :
 AECOM

FACADE CONSULTANT:
 AECOM

NOTE :
 1. ALL DIMENSIONS ARE IN mm.
 2. ALL ELEVATIONS ARE VIEWED FROM OUTSIDE.
 3. ALL DIMENSIONS TO BE VERIFIED ON SITE BEFORE FABRICATION.

LEGEND :
 X1 --- DETAIL MARK NO.
 X001 --- REFER SHEET NO.

1. F.F.L. --- FINISHED FLOOR LEVEL
 2. S.F.L. --- STRUCTURAL FLOOR LEVEL
 3. (R) --- REVERSED DETAIL

NO.	DATE	REVISED	BY
F	14/08/23	REVISED AS PER COMMENTS	LS
E	18/04/23	REVISED AS PER COMMENTS	LS
D	18/08/22	REVISED AS PER COMMENTS	LS
C	26/07/22	REVISED AS PER COMMENTS	LS
B	24/05/22	REVISED AS PER COMMENTS	LS
A	13/04/22	REVISED AS PER COMMENTS	LS

JOB NO. : J-858
 PROJECT : PROPOSED RESIDENTIAL DEVELOPMENT AT TKOIL 70RP, PHASE 11, LOHAS PARK TSEUNG KWAN O, N.T.

TITLE : PENTHOUSE FLOOR PARTIAL ELEVATION & SECTION, PLAN FOR CURTAIN WALL (TOWER 1)

DATE : 12-JAN-22 SCALE : 1:50(A1)

DRAWN BY : CHECKED BY :

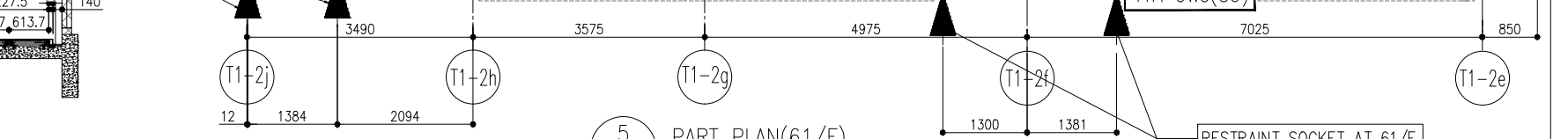
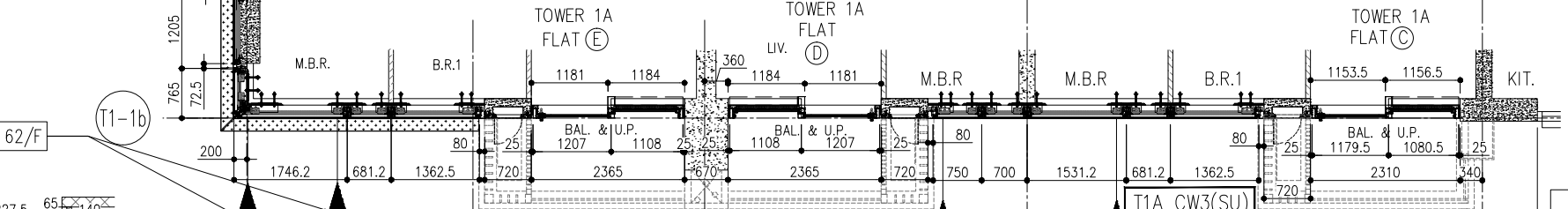
美特鋁質有限公司
 MIDI ALUMINIUM FABRICATOR LTD.
 Units 6-8, Sunray Industrial Centre, 1/F
 610 Cha Kwo Ling Road, Kowloon
 Tel: 23489211-4 Fax: (852) 27727666

DWG NO. : J858-CW-PE121 REV. : F

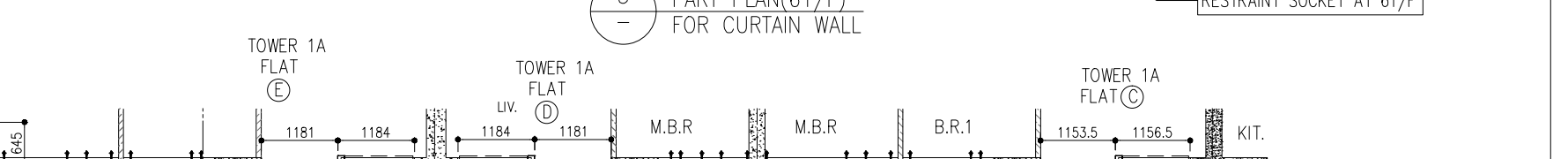
1 PART ELEVATION FOR CURTAIN WALL

2 SECTION
 3 SECTION
 4 SECTION
 5 SECTION

T1A CW4(SU)



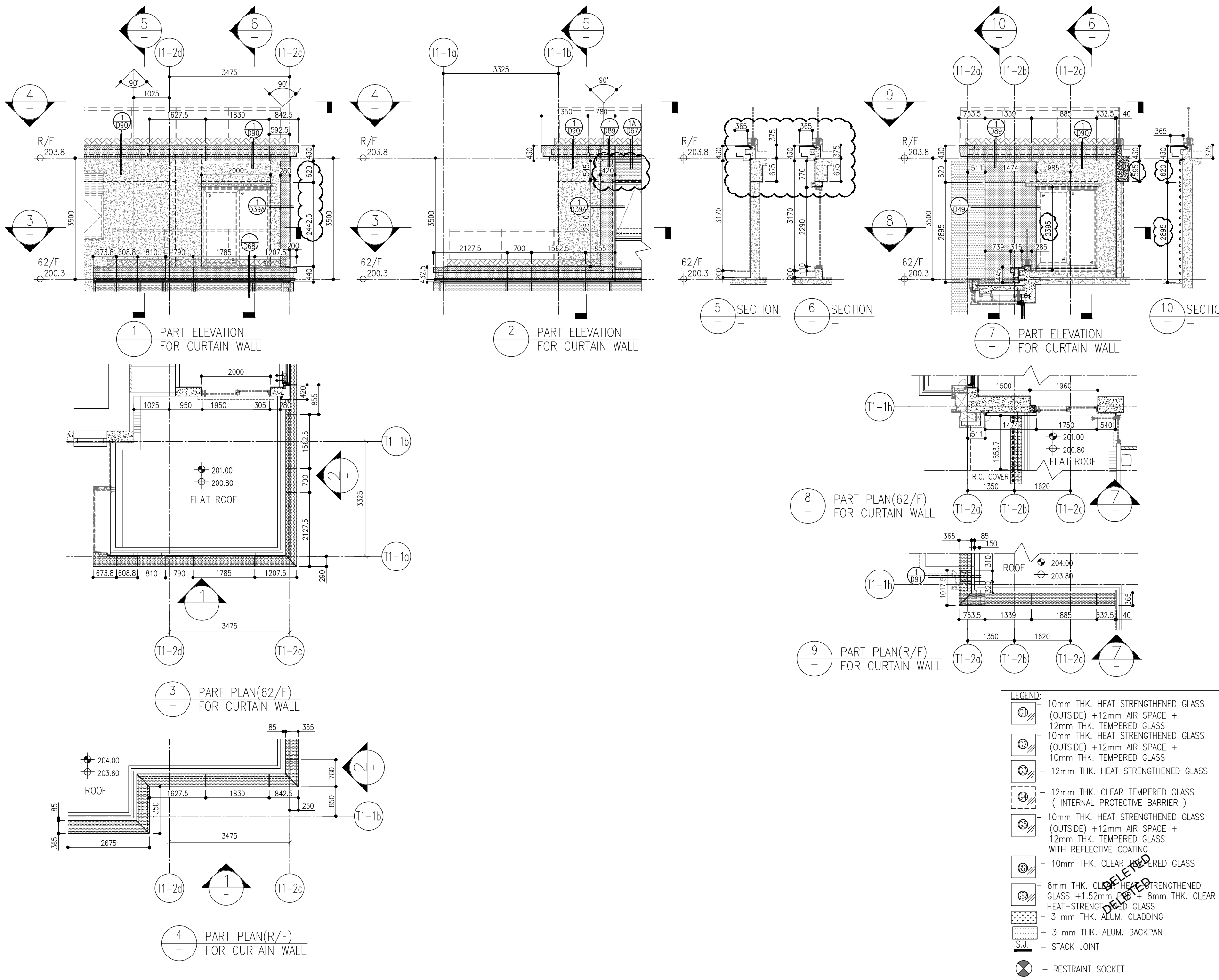
5 PART PLAN(61/F) FOR CURTAIN WALL



6 PART PLAN(62/F) FOR CURTAIN WALL

- LEGEND:
- (G1) 10mm THK. HEAT STRENGTHENED GLASS (OUTSIDE) +12mm AIR SPACE + 12mm THK. TEMPERED GLASS
 - (G2) 10mm THK. HEAT STRENGTHENED GLASS (OUTSIDE) +12mm AIR SPACE + 10mm THK. TEMPERED GLASS
 - (G3) 12mm THK. HEAT STRENGTHENED GLASS
 - (G4) 12mm THK. CLEAR TEMPERED GLASS (INTERNAL PROTECTIVE BARRIER)
 - (G5) 10mm THK. HEAT STRENGTHENED GLASS (OUTSIDE) +12mm AIR SPACE + 12mm THK. TEMPERED GLASS WITH REFLECTIVE COATING
 - (G6) 10mm THK. CLEAR TEMPERED GLASS
 - (G7) 8mm THK. CLEAR TEMPERED-STRENGTHENED GLASS +1.52mm PVB + 8mm THK. CLEAR HEAT-STRENGTHENED GLASS
 - (G8) 3 mm THK. ALUM. CLADDING
 - (G9) 3 mm THK. ALUM. BACKPAN
 - (S.J.) STACK JOINT
 - (R) RESTRAINT SOCKET

DELETED
 DELETED



B.D. REF :

CLIENT :
 信和置業有限公司
 Sino Land Company Limited

ARCHITECT :
ronald lu & partners
 Architects, Planners, Interior Designers
 Ronald Lu & Partners (HK) Ltd.
 呂元祥建築師事務所 (香港) 有限公司

MAIN CONTRACTOR :
Gammon

STRUCTURAL ENGINEER :
AECOM

FACADE CONSULTANT:
AECOM

NOTE :
 1. ALL DIMENSIONS ARE IN mm.
 2. ALL ELEVATIONS ARE VIEWED FROM OUTSIDE.
 3. ALL DIMENSIONS TO BE VERIFIED ON SITE BEFORE FABRICATION.

LEGEND :
 X1 --- DETAIL MARK NO.
 X001 --- REFER SHEET NO.

1. F.F.L. -- FINISHED FLOOR LEVEL
 2. S.F.L. -- STRUCTURAL FLOOR LEVEL
 3. (R) -- REVERSED DETAIL

NO.	DATE	REVISION	BY
A	14/08/23	REVISED AS PER COMMENTS	LS

JOB NO. : J-858

PROJECT :
 PROPOSED RESIDENTIAL DEVELOPMENT
 AT TKOIL 70RP, PHASE 11, LOHAS PARK
 TSEUNG KWAN O, N.T.

TITLE :
 PENTHOUSE FLOOR PARTIAL
 ELEVATION & SECTION, PLAN
 FOR CURTAIN WALL (TOWER 1)

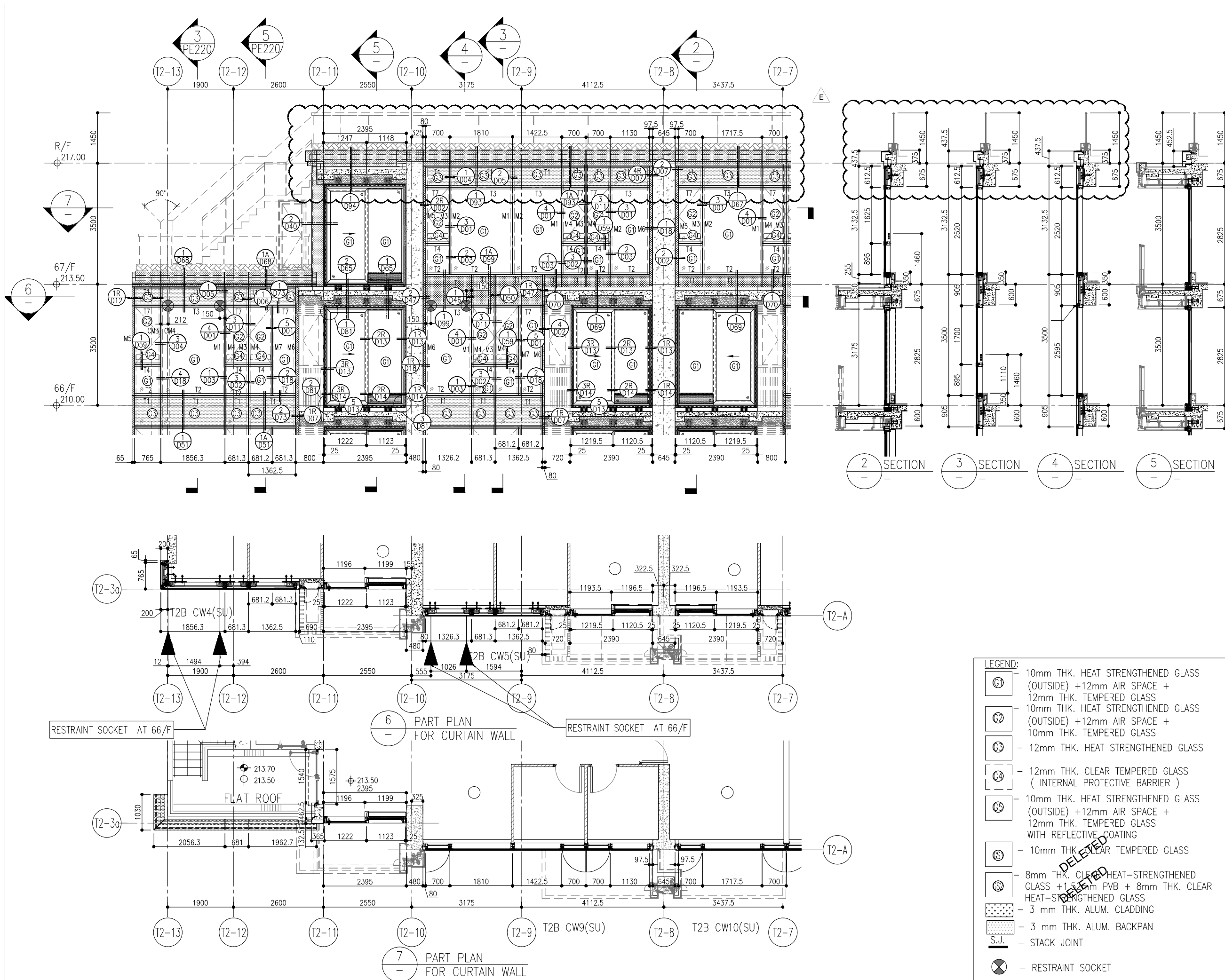
DATE : 12-MAY-23 SCALE : 1:50(A1)

DRAWN BY : CHECKED BY :

美特鋁質有限公司
 MIDI ALUMINIUM FABRICATOR LTD.
 Units 6-8, Sunray Industrial Centre, 1/F
 610 Cha Kwo Ling Road, Kowloon
 Tel: 23489211-4 Fax: (852) 2772666

DWG NO. : J858-CW-PE128 REV. : A

- LEGEND:
- 10mm THK. HEAT STRENGTHENED GLASS (OUTSIDE) + 12mm AIR SPACE + 12mm THK. TEMPERED GLASS
 - 10mm THK. HEAT STRENGTHENED GLASS (OUTSIDE) + 12mm AIR SPACE + 10mm THK. TEMPERED GLASS
 - 12mm THK. HEAT STRENGTHENED GLASS
 - 12mm THK. CLEAR TEMPERED GLASS (INTERNAL PROTECTIVE BARRIER)
 - 10mm THK. HEAT STRENGTHENED GLASS (OUTSIDE) + 12mm AIR SPACE + 12mm THK. TEMPERED GLASS WITH REFLECTIVE COATING
 - 10mm THK. CLEAR TEMPERED GLASS
 - 8mm THK. CLEAR HEAT STRENGTHENED GLASS + 1.52mm CLEAR HEAT-STRENGTHENED GLASS
 - 3 mm THK. ALUM. CLADDING
 - 3 mm THK. ALUM. BACKPAN
 - S.J. --- STACK JOINT
 - RESTRAINT SOCKET



B.D. REF :

CLIENT :
 信和置業有限公司
 Sino Land Company Limited

ARCHITECT :
 ronald lu & partners
 Architects, Planners, Interior Designers
 Ronald Lu & Partners (HK) Ltd.
 呂元祥建築師事務所 (香港) 有限公司

MAIN CONTRACTOR :
 Gammon

STRUCTURAL ENGINEER :
 AECOM

FACADE CONSULTANT:
 AECOM

NOTE :
 1. ALL DIMENSIONS ARE IN mm.
 2. ALL ELEVATIONS ARE VIEWED FROM OUTSIDE.
 3. ALL DIMENSIONS TO BE VERIFIED ON SITE BEFORE FABRICATION.

LEGEND :
 X1 --- DETAIL MARK NO.
 X001 --- REFER SHEET NO.

1. F.F.L. --- FINISHED FLOOR LEVEL
 2. S.F.L. --- STRUCTURAL FLOOR LEVEL
 3. (R) --- REVERSED DETAIL

NO.	DATE	REVISED	BY
E	14/08/23	REVISED AS PER COMMENTS	LS
D	22/04/23	REVISED AS PER COMMENTS	LS
C	18/08/22	REVISED AS PER COMMENTS	LS
B	26/07/22	REVISED AS PER COMMENTS	LS
A	12/04/22	REVISED AS PER COMMENTS	LS

JOB NO. : J-858

PROJECT :
 PROPOSED RESIDENTIAL DEVELOPMENT
 AT TKOIL 70R, PHASE 11, LOHAS PARK
 TSEUNG KWAN O, N.T.

TITLE :
 PENTHOUSE FLOOR PARTIAL
 ELEVATION & SECTION, PLAN
 FOR CURTAIN WALL (TOWER 2)

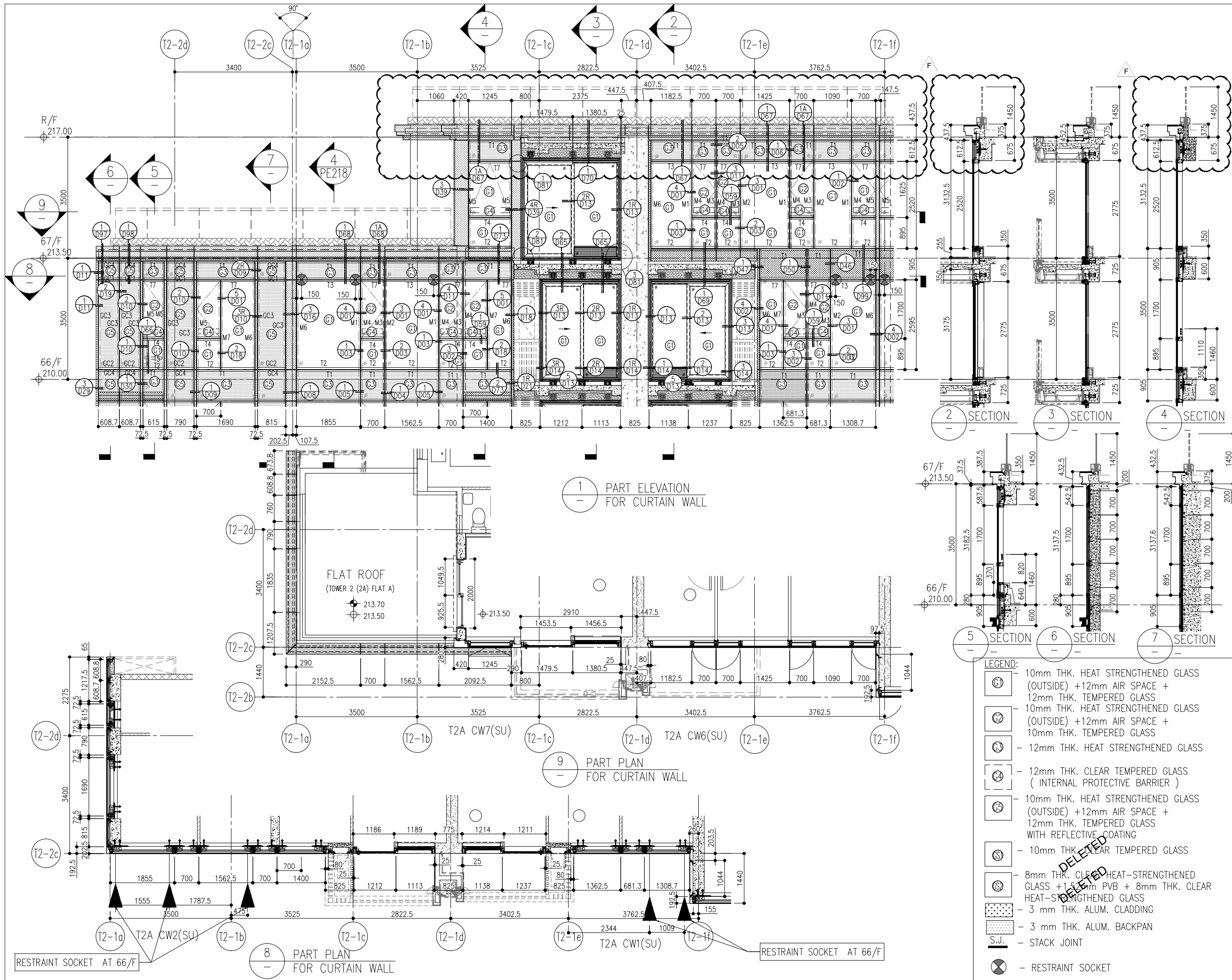
DATE : 22-OCT-21 SCALE : 1:50(A1)

DRAWN BY : CHECKED BY :

美特鋁質有限公司
 MIDI ALUMINIUM FABRICATOR LTD.
 Units 6-8, Sunray Industrial Centre, 1/F
 610 Cha Kwo Ling Road, Kowloon
 Tel: 23489211-4 Fax: (852) 27727666

DWG NO. : J858-CW-PE219 REV. : E

- LEGEND:
- 10mm THK. HEAT STRENGTHENED GLASS (OUTSIDE) + 12mm AIR SPACE + 12mm THK. TEMPERED GLASS
 - 10mm THK. HEAT STRENGTHENED GLASS (OUTSIDE) + 12mm AIR SPACE + 10mm THK. TEMPERED GLASS
 - 12mm THK. HEAT STRENGTHENED GLASS
 - 12mm THK. CLEAR TEMPERED GLASS (INTERNAL PROTECTIVE BARRIER)
 - 10mm THK. HEAT STRENGTHENED GLASS (OUTSIDE) + 12mm AIR SPACE + 12mm THK. TEMPERED GLASS WITH REFLECTIVE COATING
 - 10mm THK. CLEAR TEMPERED GLASS
 - 8mm THK. CLEAR HEAT-STRENGTHENED GLASS + 1.5mm PVB + 8mm THK. CLEAR HEAT-STRENGTHENED GLASS
 - 3 mm THK. ALUM. CLADDING
 - 3 mm THK. ALUM. BACKPAN
 - S.J. --- STACK JOINT
 - RESTRAINT SOCKET



B.D. REF :

CLIENT :
 信和置業有限公司
 Sino Land Company Limited

ARCHITECT :
 ronald lu & partners
 Architects, Planners, Interior Designers
 Ronald Lu & Partners (HK) Ltd.
 呂元祥建築師事務所 (香港) 有限公司

MAIN CONTRACTOR :
 Gammon

STRUCTURAL ENGINEER :
 AECOM

FAÇADE CONSULTANT:
 AECOM

NOTE :
 1. ALL DIMENSIONS ARE IN mm.
 2. ALL ELEVATIONS ARE VIEWED FROM OUTSIDE.
 3. ALL DIMENSIONS TO BE VERIFIED ON SITE BEFORE FABRICATION.

LEGEND :
 X1 - DETAIL MARK NO.
 X001 - REFER SHEET NO.

1. F.F.L. -- FINISHED FLOOR LEVEL
 2. S.F.L. -- STRUCTURAL FLOOR LEVEL
 3. (R) -- REVERSED DETAIL

NO.	DATE	REVISED	BY
F	14/08/23	REVISED AS PER COMMENTS	LS
E	21/04/22	REVISED AS PER COMMENTS	LS
D	17/08/22	REVISED AS PER COMMENTS	LS
C	26/07/22	REVISED AS PER COMMENTS	LS
B	26/05/22	REVISED AS PER COMMENTS	LS
A	12/04/22	REVISED AS PER COMMENTS	LS

JOB NO. : J-858
 PROJECT : PROPOSED RESIDENTIAL DEVELOPMENT AT TKOIL 70RP, PHASE 11, LOHAS PARK TSEUNG KWAN O, N.T.

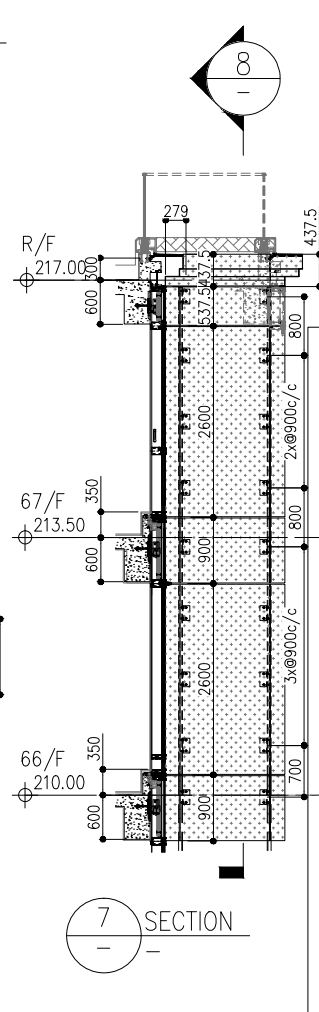
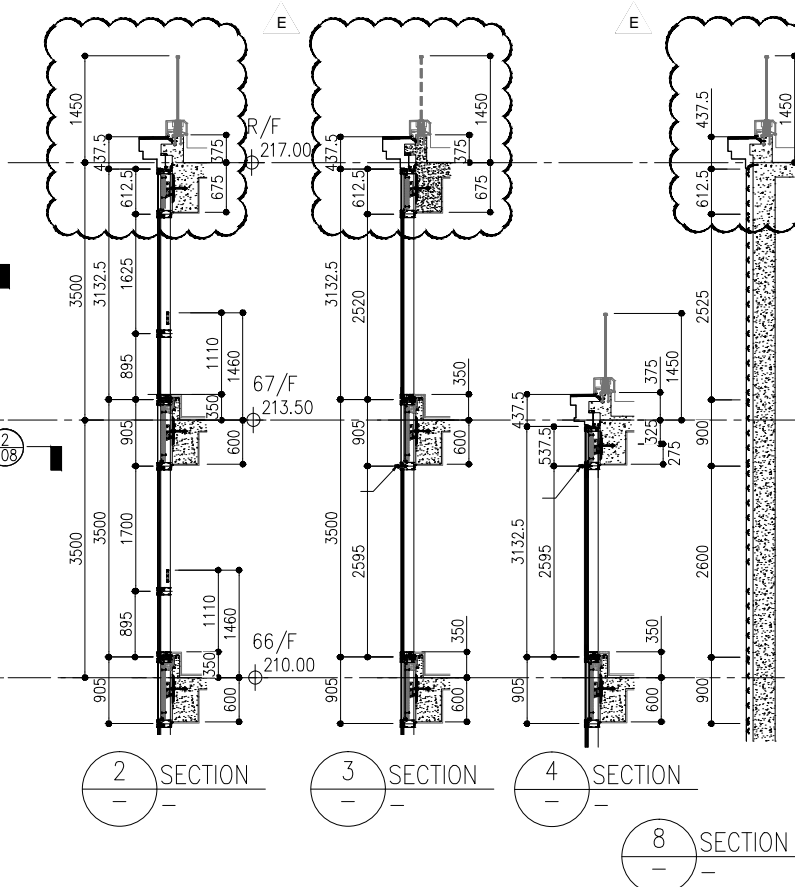
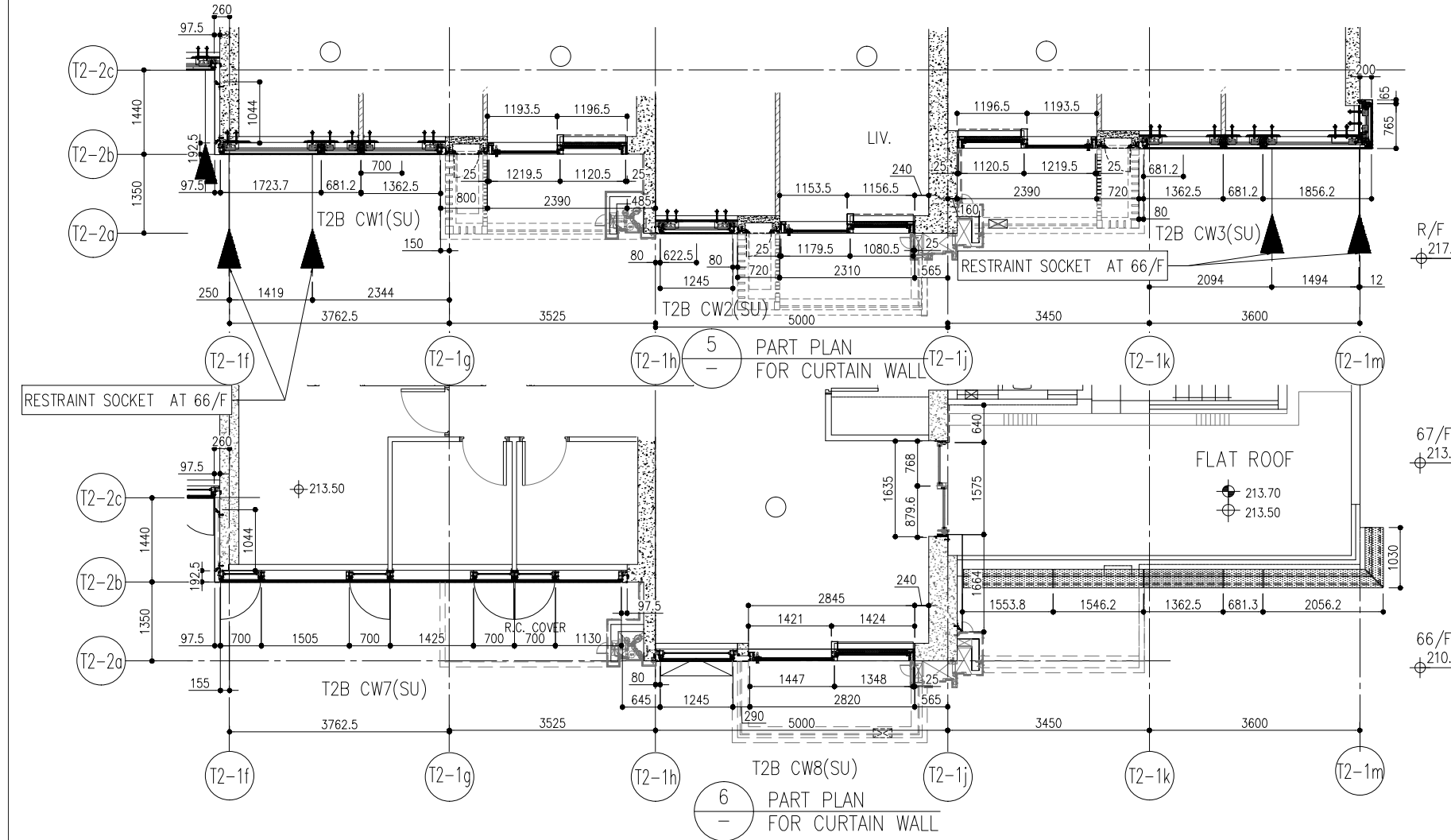
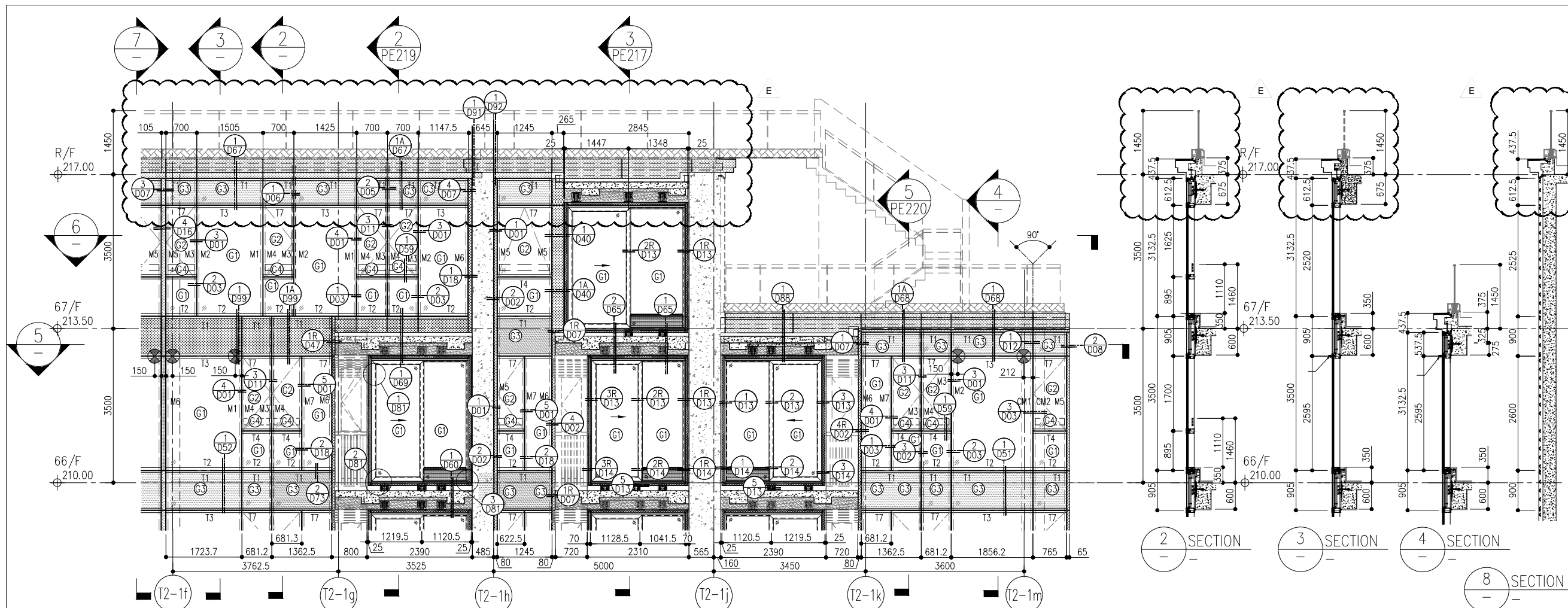
TITLE : PENTHOUSE FLOOR PARTIAL ELEVATION & SECTION, PLAN FOR CURTAIN WALL (TOWER 2)

DATE : 22-OCT-21 SCALE : 1:50(A1)

DRAWN BY : CHECKED BY :

美特鋁質有限公司
 MIDI ALUMINIUM FABRICATOR LTD.
 Units 6-8, Sunray Industrial Centre, 1/F
 610 Cha Kwo Ling Road, Kowloon
 Tel: 23489211-4 Fax: (852) 2772666

DWG NO. : J858-CW-PE217 REV. : F



- LEGEND:**
- (G1) 10mm THK. HEAT STRENGTHENED GLASS (OUTSIDE) + 12mm AIR SPACE + 12mm THK. TEMPERED GLASS
 - (G2) 10mm THK. HEAT STRENGTHENED GLASS (OUTSIDE) + 12mm AIR SPACE + 10mm THK. TEMPERED GLASS
 - (G3) 12mm THK. HEAT STRENGTHENED GLASS
 - (G4) 12mm THK. CLEAR TEMPERED GLASS (INTERNAL PROTECTIVE BARRIER)
 - (G5) 10mm THK. HEAT STRENGTHENED GLASS (OUTSIDE) + 12mm AIR SPACE + 12mm THK. TEMPERED GLASS WITH REFLECTIVE COATING
 - (G6) 10mm THK. CLEAR TEMPERED GLASS
 - (G7) 8mm THK. CLEAR HEAT-STRENGTHENED GLASS + 1.5mm PVB + 8mm THK. CLEAR HEAT-STRENGTHENED GLASS
 - (G8) 3 mm THK. ALUM. CLADDING
 - (G9) 3 mm THK. ALUM. BACKPAN
 - (S.J.) STACK JOINT
 - (RS) RESTRAINT SOCKET

B.D. REF :

CLIENT : 信和置業有限公司 Sino Land Company Limited

ARCHITECT : ronald lu & partners Architects, Planners, Interior Designers Ronald Lu & Partners (HK) Ltd. 呂元祥建築師事務所 (香港) 有限公司

MAIN CONTRACTOR : Gammon

STRUCTURAL ENGINEER : AECOM

FACADE CONSULTANT : AECOM

NOTE :

- ALL DIMENSIONS ARE IN mm.
- ALL ELEVATIONS ARE VIEWED FROM OUTSIDE.
- ALL DIMENSIONS TO BE VERIFIED ON SITE BEFORE FABRICATION.

LEGEND :

- (X1) DETAIL MARK NO.
- (X001) REFER SHEET NO.

- F.F.L. -- FINISHED FLOOR LEVEL
- S.F.L. -- STRUCTURAL FLOOR LEVEL
- (R) -- REVERSED DETAIL

NO.	DATE	REVISED AS PER COMMENTS	BY
E	14/08/23	REVISED AS PER COMMENTS	LS
D	21/04/22	REVISED AS PER COMMENTS	LS
C	17/08/22	REVISED AS PER COMMENTS	LS
B	26/07/22	REVISED AS PER COMMENTS	LS
A	12/04/22	REVISED AS PER COMMENTS	LS

JOB NO. : J-858

PROJECT : PROPOSED RESIDENTIAL DEVELOPMENT AT TKOIL 70R, PHASE 11, LOHAS PARK TSEUNG KWAN O, N.T.

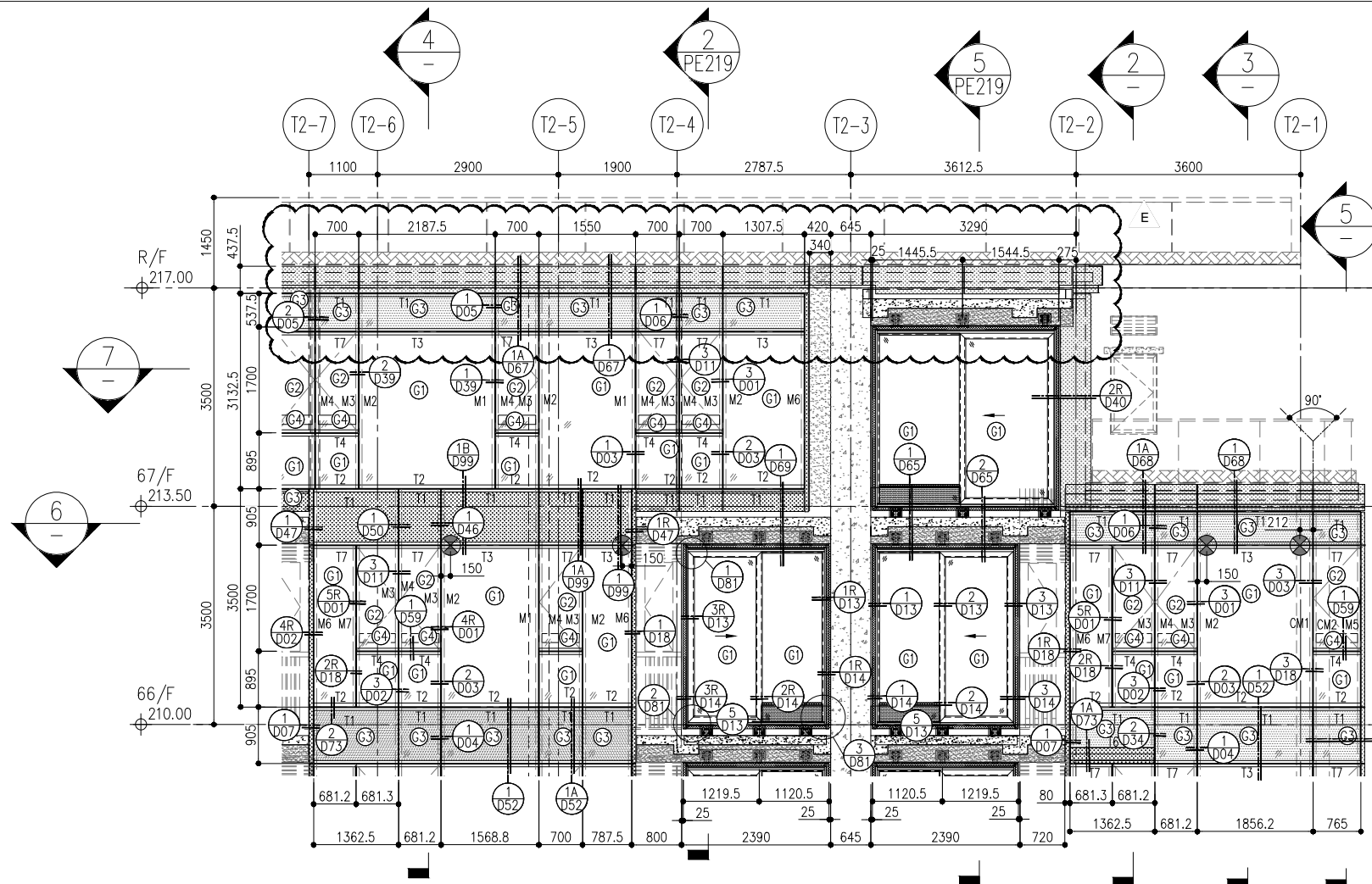
TITLE : PENTHOUSE FLOOR PARTIAL ELEVATION & SECTION, PLAN FOR CURTAIN WALL (TOWER 2)

DATE : 22-OCT-21 SCALE : 1:50(A1)

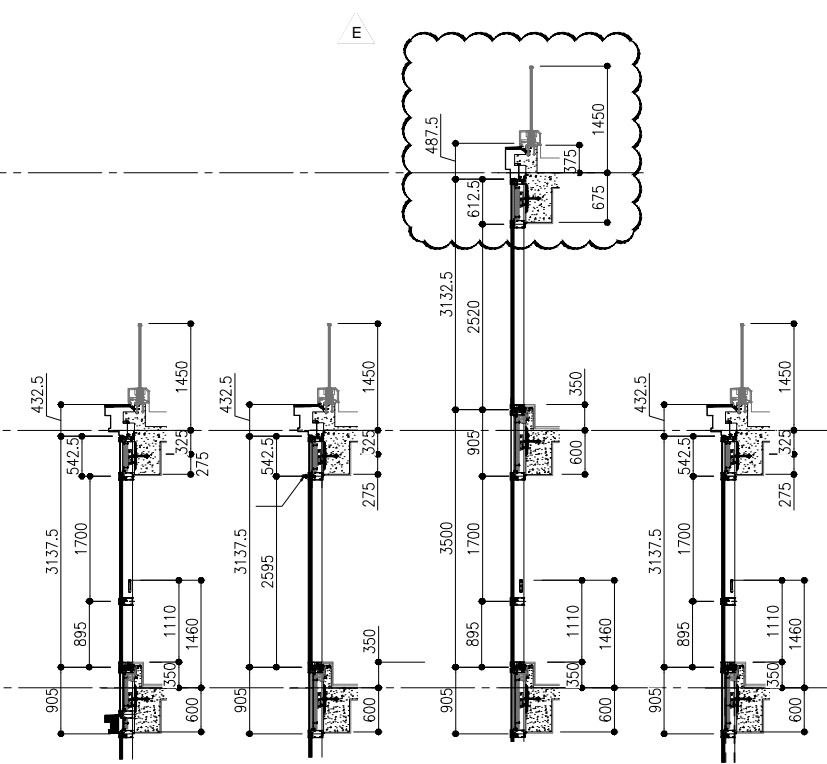
DRAWN BY : CHECKED BY :

美特鋁質有限公司 MIDI ALUMINIUM FABRICATOR LTD. Units 6-8, Sunray Industrial Centre, 1/F 610 Cha Kwo Ling Road, Kowloon Tel:23489211-4 Fax:(852)2772666

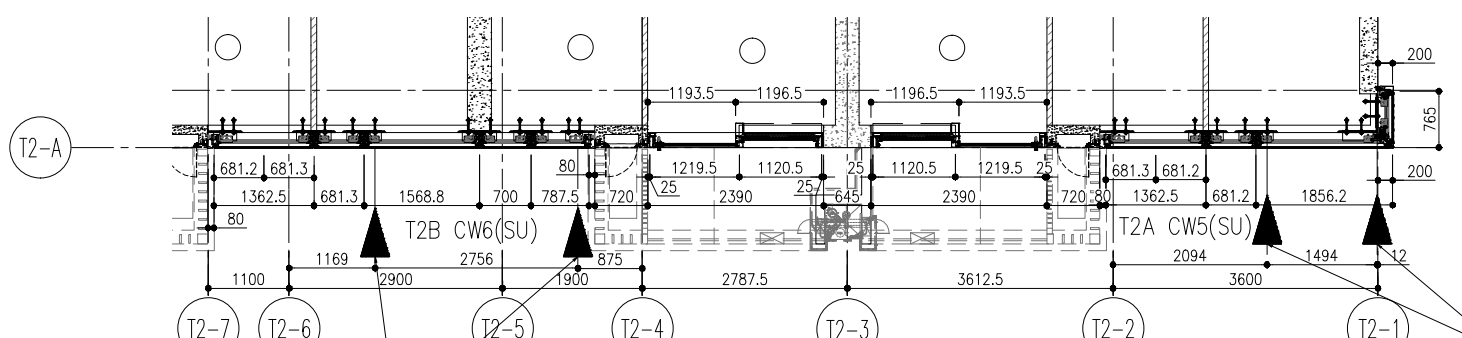
DWG NO. : J858-CW-PE218 REV. : E



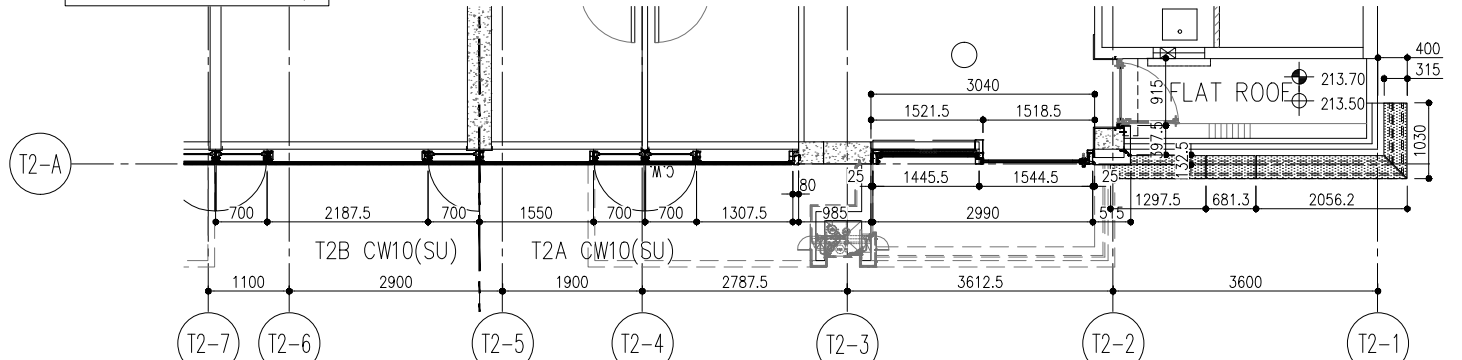
1 PART ELEVATION FOR CURTAIN WALL



2 SECTION 3 SECTION 4 SECTION 5 SECTION



6 PART PLAN FOR CURTAIN WALL



7 PART PLAN FOR CURTAIN WALL

- LEGEND:**
- (G1) 10mm THK. HEAT STRENGTHENED GLASS (OUTSIDE) +12mm AIR SPACE + 12mm THK. TEMPERED GLASS
 - (G2) 10mm THK. HEAT STRENGTHENED GLASS (OUTSIDE) +12mm AIR SPACE + 10mm THK. TEMPERED GLASS
 - (G3) 12mm THK. HEAT STRENGTHENED GLASS
 - (G4) 12mm THK. CLEAR TEMPERED GLASS (INTERNAL PROTECTIVE BARRIER)
 - (G5) 10mm THK. HEAT STRENGTHENED GLASS (OUTSIDE) +12mm AIR SPACE + 12mm THK. TEMPERED GLASS WITH REFLECTIVE COATING
 - (G6) 10mm THK. CLEAR TEMPERED GLASS
 - (G7) 8mm THK. CLEAR HEAT-STRENGTHENED GLASS +1.5mm PVB + 8mm THK. CLEAR HEAT-STRENGTHENED GLASS
 - (G8) 3 mm THK. ALUM. CLADDING
 - (G9) 3 mm THK. ALUM. BACKPAN
 - S.J. STACK JOINT
 - (RS) RESTRAINT SOCKET

B.D. REF :

CLIENT :
 信和置業有限公司
 Sino Land Company Limited

ARCHITECT :
 ronald lu & partners
 Architects, Planners, Interior Designers
 Ronald Lu & Partners (HK) Ltd.
 呂元祥建築師事務所 (香港) 有限公司

MAIN CONTRACTOR :
 Gammon

STRUCTURAL ENGINEER :
 AECOM

FACADE CONSULTANT:
 AECOM

NOTE :

1. ALL DIMENSIONS ARE IN mm.
2. ALL ELEVATIONS ARE VIEWED FROM OUTSIDE.
3. ALL DIMENSIONS TO BE VERIFIED ON SITE BEFORE FABRICATION.

LEGEND :

- (X1) DETAIL MARK NO.
- (X001) REFER SHEET NO.

1. F.F.L. -- FINISHED FLOOR LEVEL
2. S.F.L. -- STRUCTURAL FLOOR LEVEL
3. (R) -- REVERSED DETAIL

NO.	DATE	REVISED	BY
E	14/08/23	REVISED AS PER COMMENTS	LS
D	22/04/23	REVISED AS PER COMMENTS	LS
C	18/08/22	REVISED AS PER COMMENTS	LS
B	26/07/22	REVISED AS PER COMMENTS	LS
A	12/04/22	REVISED AS PER COMMENTS	LS

JOB NO. : J-858
 PROJECT : PROPOSED RESIDENTIAL DEVELOPMENT AT TKOIL 70R, PHASE 11, LOHAS PARK TSEUNG KWAN O, N.T.

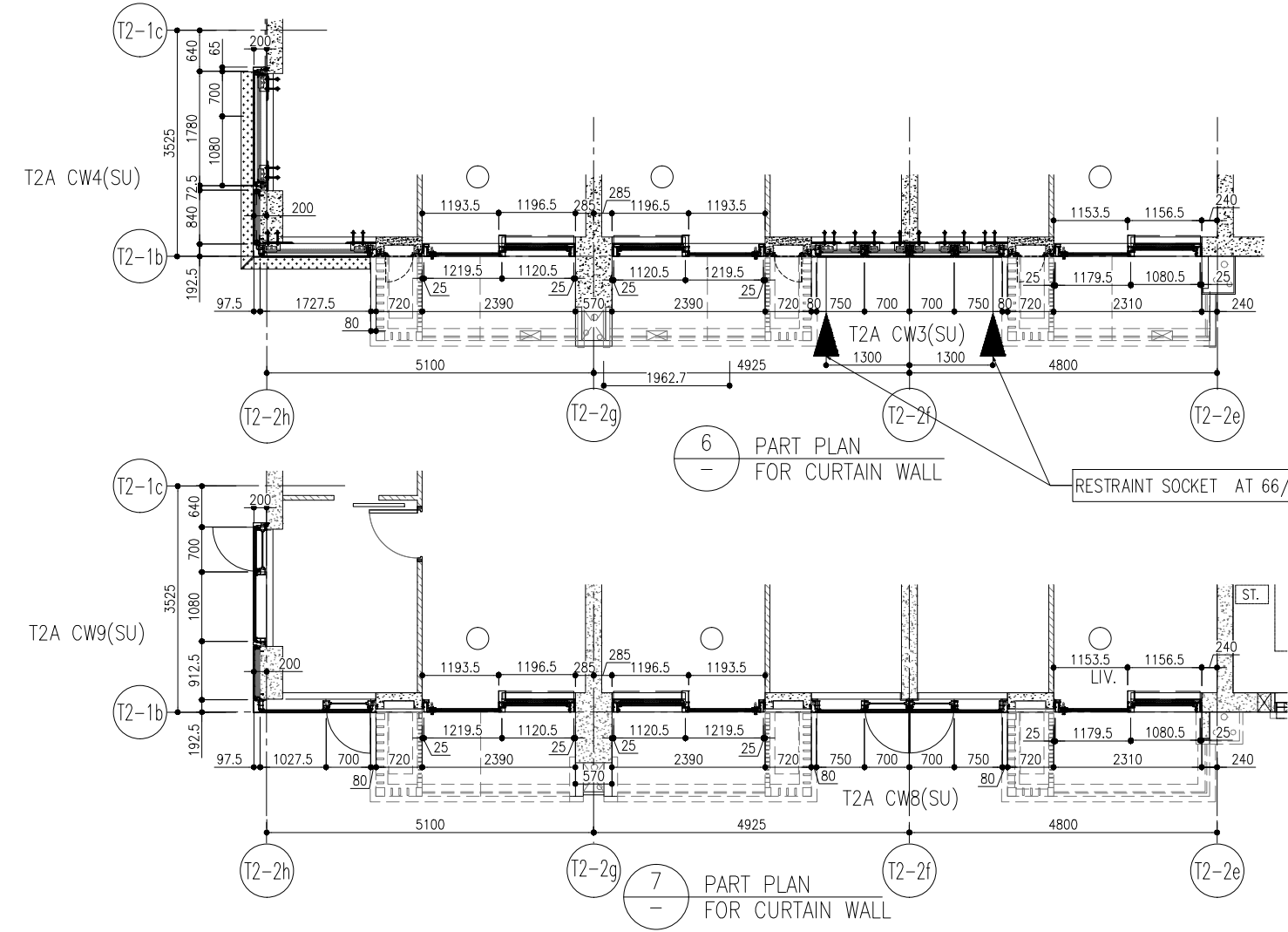
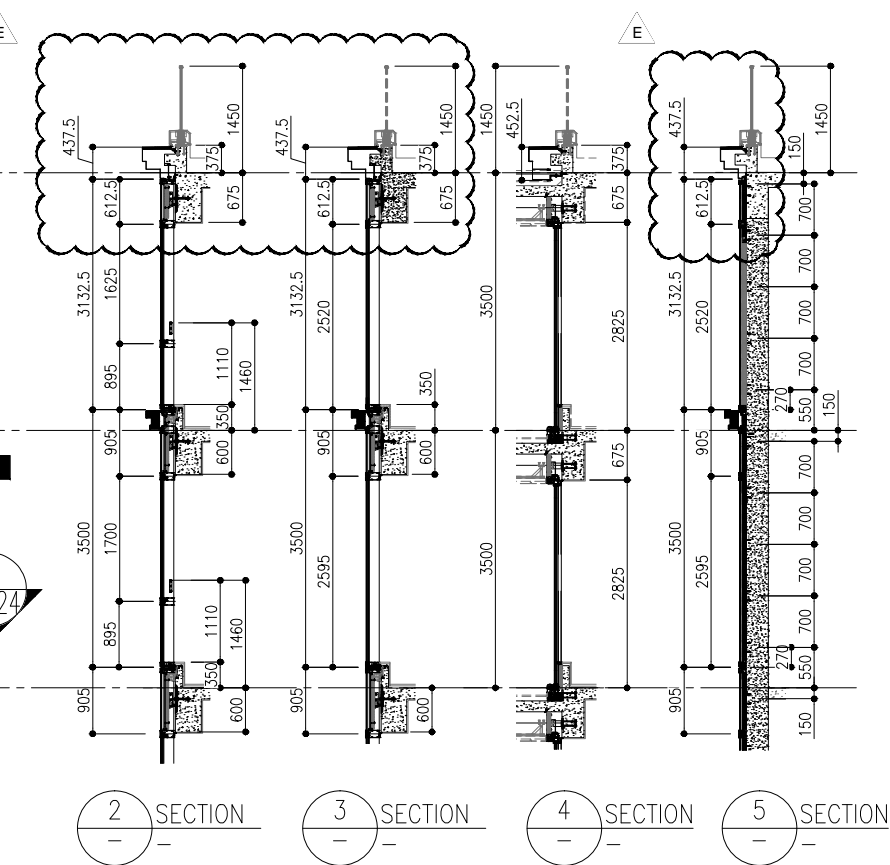
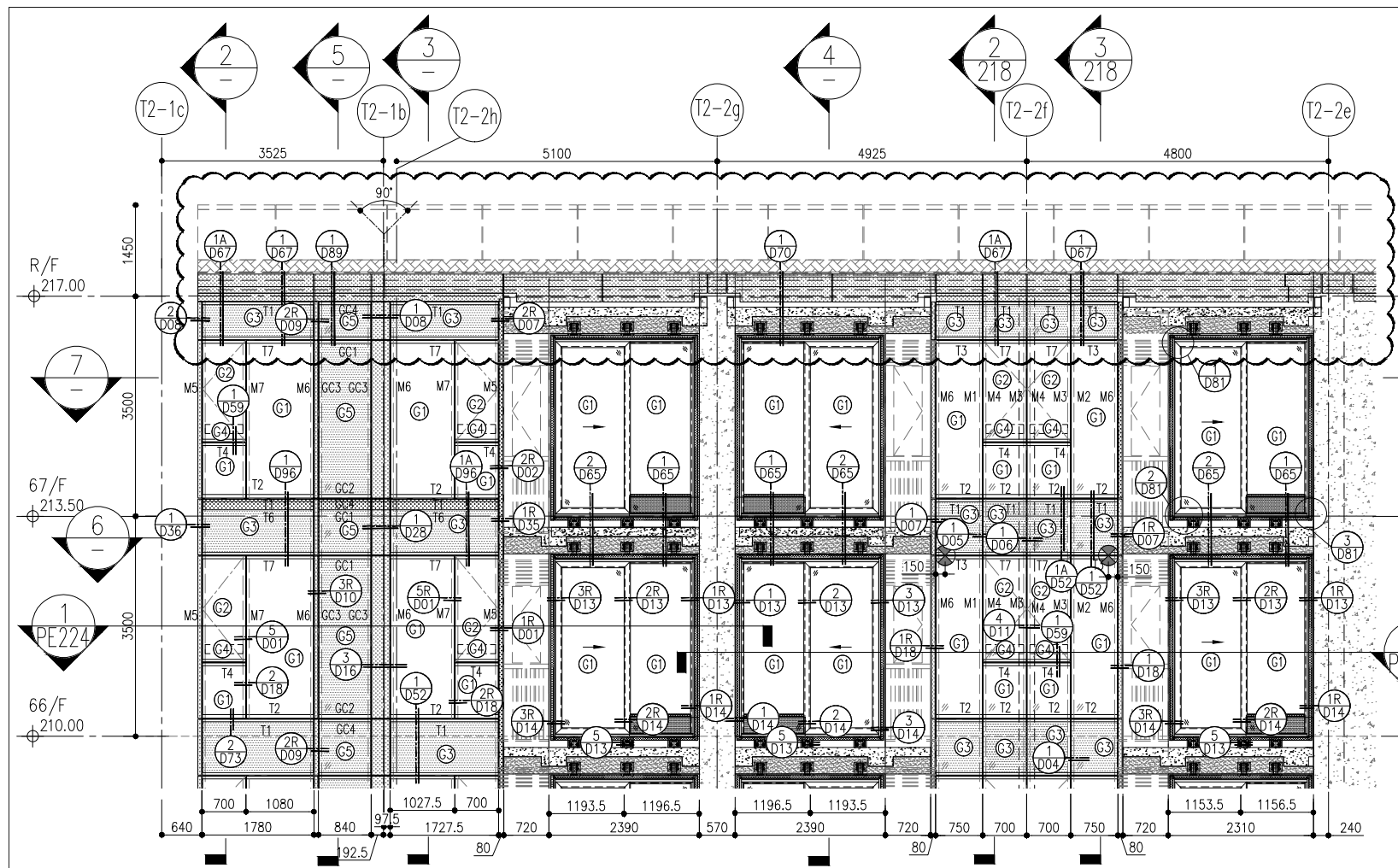
TITLE : PENTHOUSE FLOOR PARTIAL ELEVATION & SECTION, PLAN FOR CURTAIN WALL (TOWER 2)

DATE : 22-OCT-21 SCALE : 1:50(A1)

DRAWN BY : CHECKED BY :

美特鋁質有限公司
 MIDI ALUMINIUM FABRICATOR LTD.
 Units 6-8, Sunray Industrial Centre, 1/F
 610 Cha Kwo Ling Road, Kowloon
 Tel: 23489211-4 Fax: (852) 2772666

DWG NO. : J858-CW-PE220 REV. : E



- LEGEND:**
- 10mm THK. HEAT STRENGTHENED GLASS (OUTSIDE) + 12mm AIR SPACE + 12mm THK. TEMPERED GLASS
 - 10mm THK. HEAT STRENGTHENED GLASS (OUTSIDE) + 12mm AIR SPACE + 10mm THK. TEMPERED GLASS
 - 12mm THK. HEAT STRENGTHENED GLASS
 - 12mm THK. CLEAR TEMPERED GLASS (INTERNAL PROTECTIVE BARRIER)
 - 10mm THK. HEAT STRENGTHENED GLASS (OUTSIDE) + 12mm AIR SPACE + 12mm THK. TEMPERED GLASS WITH REFLECTIVE COATING
 - 10mm THK. CLEAR TEMPERED GLASS
 - 8mm THK. CLEAR HEAT-STRENGTHENED GLASS + 1.5mm PVB + 8mm THK. CLEAR HEAT-STRENGTHENED GLASS
 - 3 mm THK. ALUM. CLADDING
 - 3 mm THK. ALUM. BACKPAN
 - STACK JOINT
 - RESTRAINT SOCKET

B.D. REF :

CLIENT :
 信和置業有限公司
 Sino Land Company Limited

ARCHITECT :
 ronald lu & partners
 Architects, Planners, Interior Designers
 Ronald Lu & Partners (HK) Ltd.
 呂元祥建築師事務所 (香港) 有限公司

MAIN CONTRACTOR :
 Gammon

STRUCTURAL ENGINEER :
 AECOM

FAÇADE CONSULTANT:
 AECOM

NOTE :
 1. ALL DIMENSIONS ARE IN mm.
 2. ALL ELEVATIONS ARE VIEWED FROM OUTSIDE.
 3. ALL DIMENSIONS TO BE VERIFIED ON SITE BEFORE FABRICATION.

LEGEND :
 X1 -- DETAIL MARK NO.
 X001 -- REFER SHEET NO.

1. F.F.L. -- FINISHED FLOOR LEVEL
 2. S.F.L. -- STRUCTURAL FLOOR LEVEL
 3. (R) -- REVERSED DETAIL

NO.	DATE	REVISED	BY
E	14/08/23	REVISED AS PER COMMENTS	LS
D	22/04/23	REVISED AS PER COMMENTS	LS
C	18/08/22	REVISED AS PER COMMENTS	LS
B	26/07/22	REVISED AS PER COMMENTS	LS
A	12/04/22	REVISED AS PER COMMENTS	LS

JOB NO. : J-858
 PROJECT :
 PROPOSED RESIDENTIAL DEVELOPMENT
 AT TKOIL 70R, PHASE 11, LOHAS PARK
 TSEUNG KWAN O, N.T.

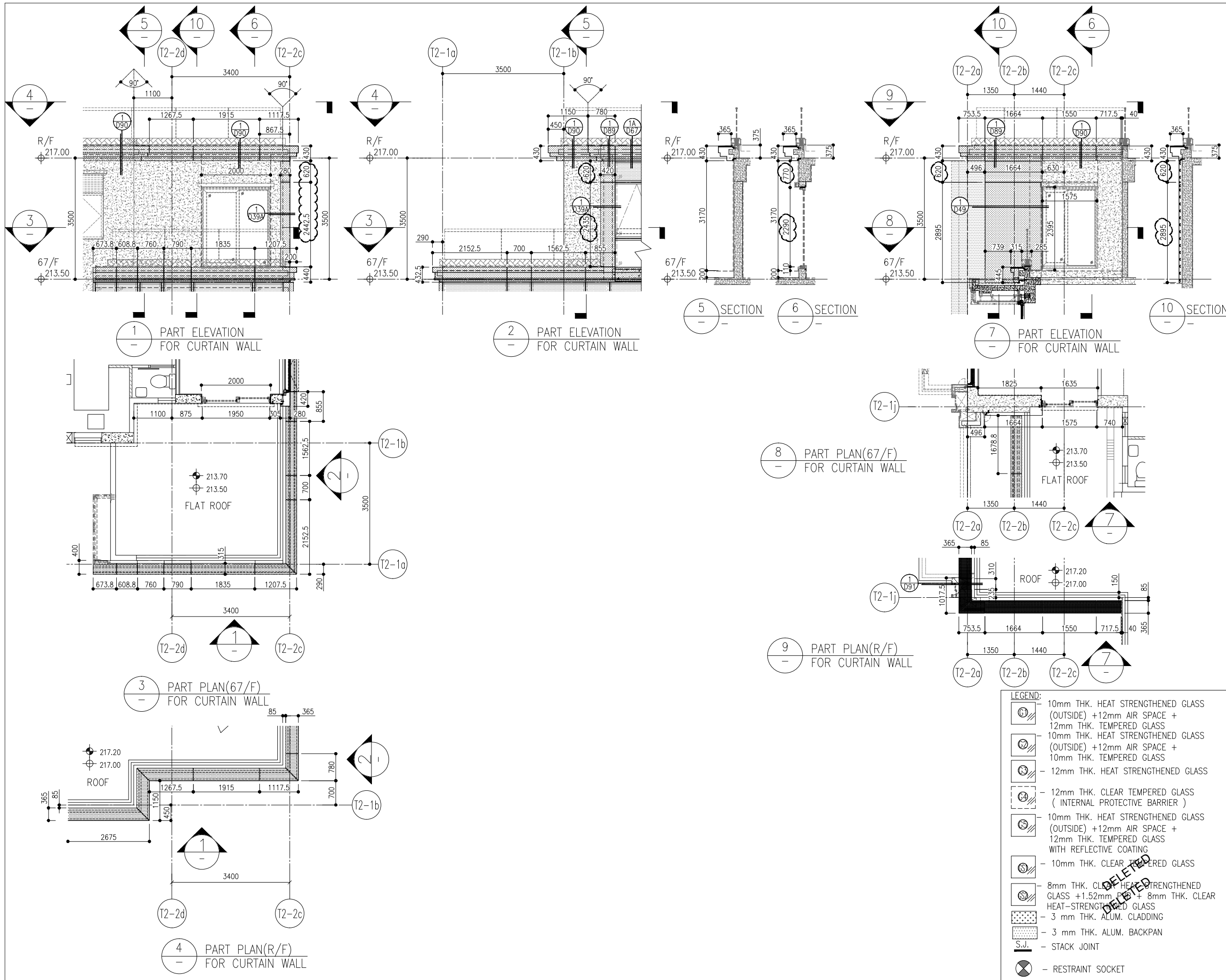
TITLE :
 PENTHOUSE FLOOR PARTIAL
 ELEVATION & SECTION, PLAN
 FOR CURTAIN WALL (TOWER 2)

DATE : 22-OCT-21 SCALE : 1:50(A1)

DRAWN BY : CHECKED BY :

美特鋁質有限公司
 MIDI ALUMINIUM FABRICATOR LTD.
 Units 6-8, Sunray Industrial Centre, 1/F
 610 Cha Kwo Ling Road, Kowloon
 Tel: 23489211-4 Fax: (852) 27727666

DWG NO. : J858-CW-PE221 REV. : E



B.D. REF :

CLIENT :
 信和置業有限公司
 Sino Land Company Limited

ARCHITECT :
 ronald lu & partners
 Architects, Planners, Interior Designers
 Ronald Lu & Partners (HK) Ltd.
 呂元祥建築師事務所 (香港) 有限公司

MAIN CONTRACTOR :
 Gammon

STRUCTURAL ENGINEER :
 AECOM

FACADE CONSULTANT:
 AECOM

NOTE :
 1. ALL DIMENSIONS ARE IN mm.
 2. ALL ELEVATIONS ARE VIEWED FROM OUTSIDE.
 3. ALL DIMENSIONS TO BE VERIFIED ON SITE BEFORE FABRICATION.

LEGEND :
 X1 -- DETAIL MARK NO.
 X001 -- REFER SHEET NO.

1. F.F.L. -- FINISHED FLOOR LEVEL
 2. S.F.L. -- STRUCTURAL FLOOR LEVEL
 3. (R) -- REVERSED DETAIL

NO.	DATE	REVISION	BY
A	14/08/23	REVISED AS PER COMMENTS	LS

JOB NO. : J-858
 PROJECT :
 PROPOSED RESIDENTIAL DEVELOPMENT
 AT TKOIL 70RP, PHASE 11, LOHAS PARK
 TSEUNG KWAN O, N.T.

TITLE :
 PENTHOUSE FLOOR PARTIAL
 ELEVATION & SECTION, PLAN
 FOR CURTAIN WALL (TOWER 2)

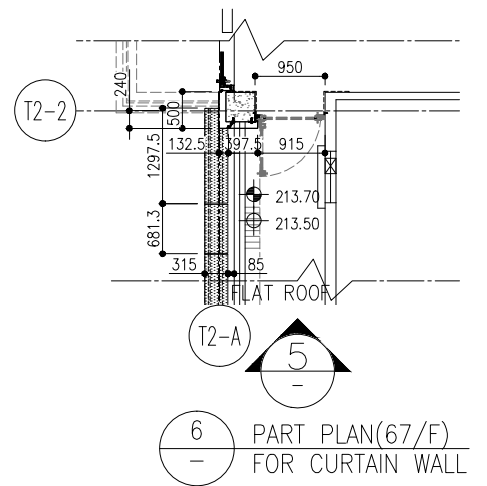
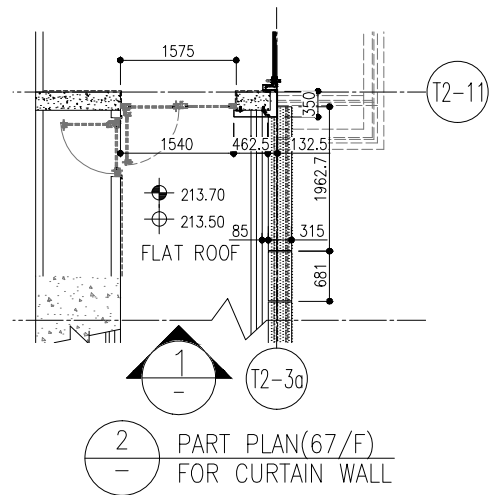
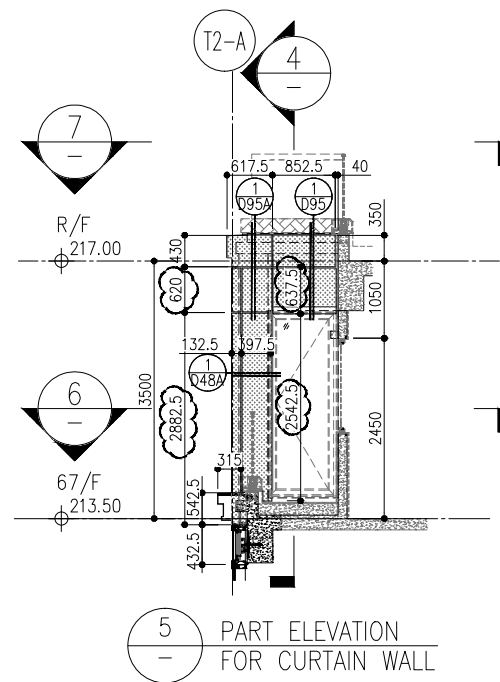
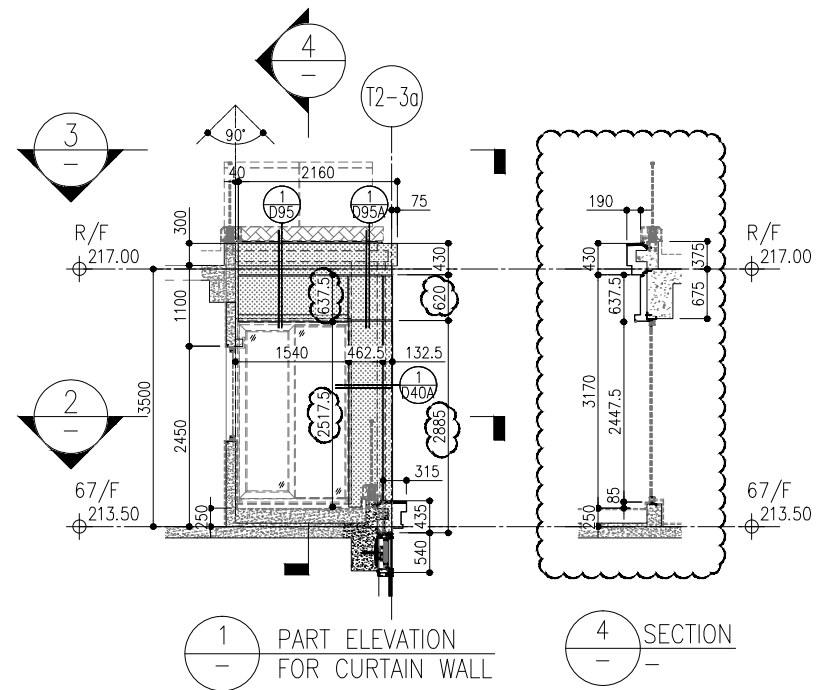
DATE : 12-MAY-23 SCALE : 1:50(A1)

DRAWN BY : CHECKED BY :

美特鋁質有限公司
 MIDI ALUMINIUM FABRICATOR LTD.
 Units 6-8, Sunray Industrial Centre, 1/F
 610 Cha Kwo Ling Road, Kowloon
 Tel: 23489211-4 Fax: (852) 2772666

DWG NO. : J858-CW-PE225 REV. : A

- LEGEND:
- 10mm THK. HEAT STRENGTHENED GLASS (OUTSIDE) + 12mm AIR SPACE + 12mm THK. TEMPERED GLASS
 - 10mm THK. HEAT STRENGTHENED GLASS (OUTSIDE) + 12mm AIR SPACE + 10mm THK. TEMPERED GLASS
 - 12mm THK. HEAT STRENGTHENED GLASS
 - 12mm THK. CLEAR TEMPERED GLASS (INTERNAL PROTECTIVE BARRIER)
 - 10mm THK. HEAT STRENGTHENED GLASS (OUTSIDE) + 12mm AIR SPACE + 12mm THK. TEMPERED GLASS WITH REFLECTIVE COATING
 - 10mm THK. CLEAR TEMPERED GLASS
 - 8mm THK. CLEAR HEAT STRENGTHENED GLASS + 1.52mm CLEAR HEAT-STRENGTHENED GLASS
 - 3 mm THK. ALUM. CLADDING
 - 3 mm THK. ALUM. BACKPAN
 - S.J. -- STACK JOINT
 - RESTRAINT SOCKET



- LEGEND:
- 10mm THK. HEAT STRENGTHENED GLASS (OUTSIDE) + 12mm AIR SPACE + 12mm THK. TEMPERED GLASS
 - 10mm THK. HEAT STRENGTHENED GLASS (OUTSIDE) + 12mm AIR SPACE + 10mm THK. TEMPERED GLASS
 - 12mm THK. HEAT STRENGTHENED GLASS
 - 12mm THK. CLEAR TEMPERED GLASS (INTERNAL PROTECTIVE BARRIER)
 - 10mm THK. HEAT STRENGTHENED GLASS (OUTSIDE) + 12mm AIR SPACE + 12mm THK. TEMPERED GLASS WITH REFLECTIVE COATING
 - 10mm THK. CLEAR TEMPERED GLASS
 - 8mm THK. CLEAR HEAT-STRENGTHENED GLASS + 1.52mm ALU. + 8mm THK. CLEAR HEAT-STRENGTHENED GLASS
 - 3mm THK. ALUM. CLADDING
 - 3mm THK. ALUM. BACKPAN
 - STACK JOINT
 - RESTRAINT SOCKET

B.D. REF :

CLIENT :
 信和置業有限公司
 Sino Land Company Limited

ARCHITECT :
 ronald lu & partners
 Architects, Planners, Interior Designers
 Ronald Lu & Partners (HK) Ltd.
 呂元祥建築師事務所 (香港) 有限公司

MAIN CONTRACTOR :
 Gammon

STRUCTURAL ENGINEER :
 AECOM

FACADE CONSULTANT:
 AECOM

NOTE :
 1. ALL DIMENSIONS ARE IN mm.
 2. ALL ELEVATIONS ARE VIEWED FROM OUTSIDE.
 3. ALL DIMENSIONS TO BE VERIFIED ON SITE BEFORE FABRICATION.

LEGEND :
 X1 -- DETAIL MARK NO.
 X001 -- REFER SHEET NO.

1. F.F.L. -- FINISHED FLOOR LEVEL
 2. S.F.L. -- STRUCTURAL FLOOR LEVEL
 3. (R) -- REVERSED DETAIL

A	14/08/23	REVISED AS PER COMMENTS	LS
NO.	DATE	REVISED	BY

JOB NO. : J-858
 PROJECT : PROPOSED RESIDENTIAL DEVELOPMENT AT TKOTL 70RP, PHASE 11, LOHAS PARK TSEUNG KWAN O, N.T.

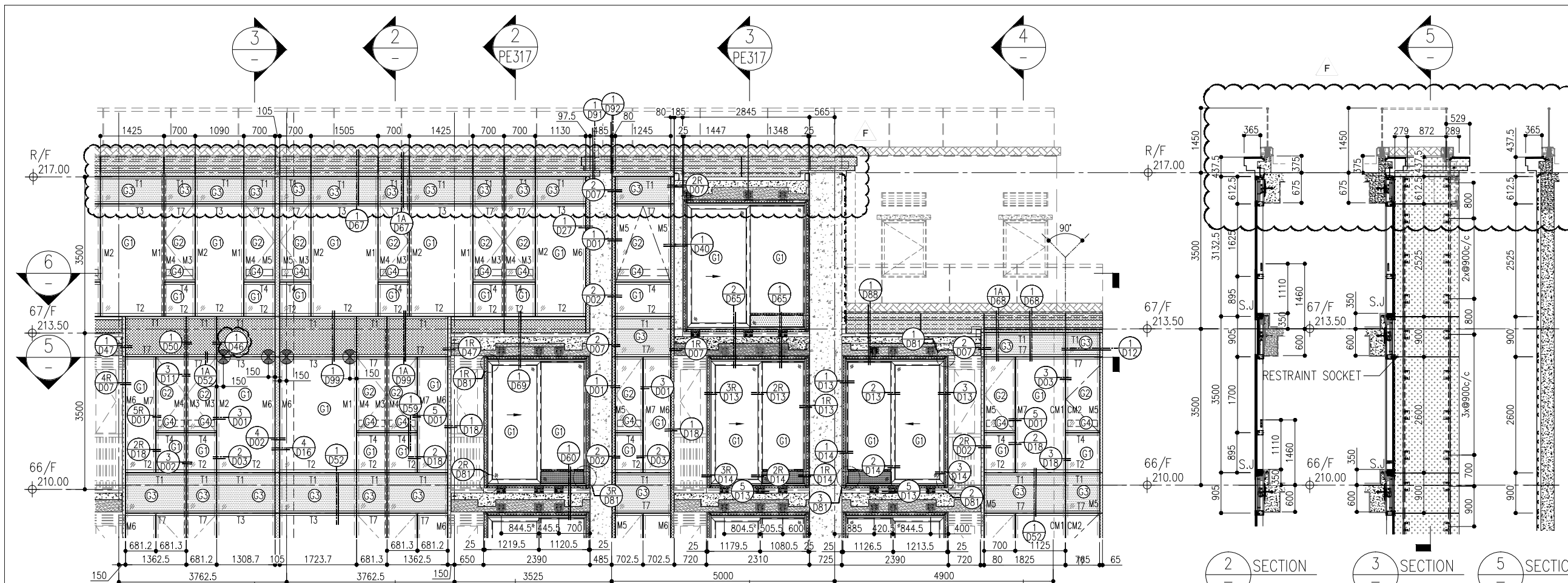
TITLE : PENTHOUSE FLOOR PARTIAL ELEVATION & SECTION, PLAN FOR CURTAIN WALL (TOWER 2)

DATE : 12-MAY-23 SCALE : 1:50(A1)

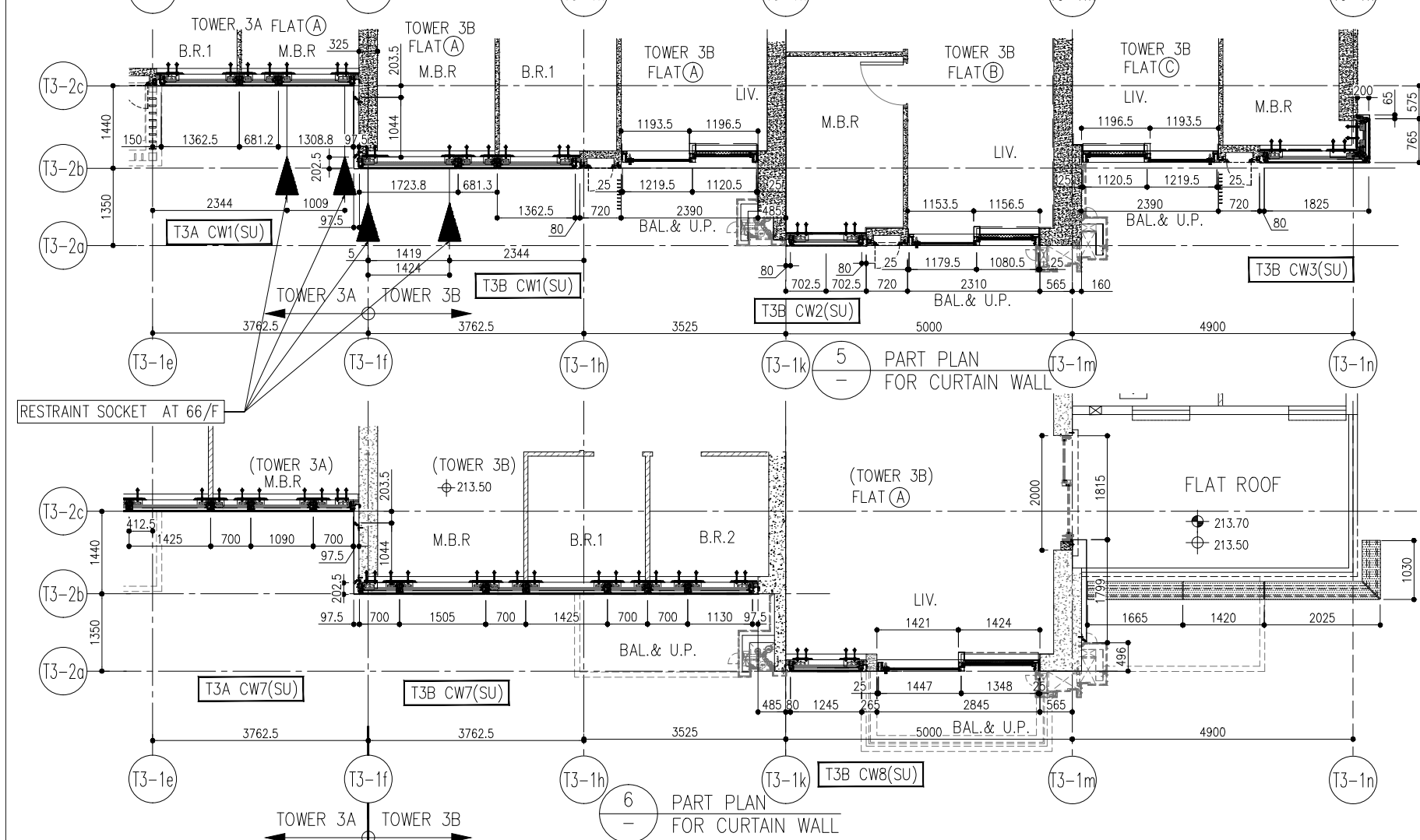
DRAWN BY : CHECKED BY :

美特鋁質有限公司
 MIDI ALUMINIUM FABRICATOR LTD.
 Units 6-8, Sunray Industrial Centre, 1/F
 610 Cha Kwo Ling Road, Kowloon
 Tel: 23489211-4 Fax: (852) 2772666

DWG NO. : J858-CW-PE226 REV. : A



2 SECTION
3 SECTION
5 SECTION



4 SECTION
5
6

- LEGEND:**
- (G1) 10mm THK. HEAT STRENGTHENED GLASS (OUTSIDE) + 12mm AIR SPACE + 12mm THK. TEMPERED GLASS
 - (G2) 10mm THK. HEAT STRENGTHENED GLASS (OUTSIDE) + 12mm AIR SPACE + 10mm THK. TEMPERED GLASS
 - (G3) 12mm THK. HEAT STRENGTHENED GLASS
 - (G4) 12mm THK. CLEAR TEMPERED GLASS (INTERNAL PROTECTIVE BARRIER)
 - (G5) 10mm THK. HEAT STRENGTHENED GLASS (OUTSIDE) + 12mm AIR SPACE + 12mm THK. TEMPERED GLASS WITH REFLECTIVE COATING
 - (G6) 10mm THK. CLEAR TEMPERED GLASS
 - (G7) 8mm THK. CLEAR HEAT-STRENGTHENED GLASS + 12mm PVB + 8mm THK. CLEAR HEAT-STRENGTHENED GLASS
 - (G8) 3 mm THK. ALUM. CLADDING
 - (G9) 3 mm THK. ALUM. BACKPAN
 - S.J. STACK JOINT
 - (RS) RESTRAINT SOCKET

B.D. REF :

CLIENT :
信和置業有限公司
Sino Land Company Limited

ARCHITECT :
ronald lu & partners
Architects, Planners, Interior Designers
Ronald Lu & Partners (HK) Ltd.
呂元祥建築師事務所 (香港) 有限公司

MAIN CONTRACTOR :
Gammon

STRUCTURAL ENGINEER :
AECOM

FACADE CONSULTANT:
AECOM

NOTE :

- ALL DIMENSIONS ARE IN mm.
- ALL ELEVATIONS ARE VIEWED FROM OUTSIDE.
- ALL DIMENSIONS TO BE VERIFIED ON SITE BEFORE FABRICATION.

LEGEND :

- X1 - DETAIL MARK NO.
- X001 - REFER SHEET NO.

- F.F.L. -- FINISHED FLOOR LEVEL
- S.F.L. -- STRUCTURAL FLOOR LEVEL
- (R) -- REVERSED DETAIL

NO.	DATE	REVISED	BY
F	14/08/23	REVISED AS PER COMMENTS	LS
E	26/04/23	REVISED AS PER COMMENTS	LS
D	18/08/22	REVISED AS PER COMMENTS	LS
C	26/07/22	REVISED AS PER COMMENTS	LS
B	25/05/22	REVISED AS PER COMMENTS	LS
A	12/03/22	REVISED AS PER COMMENTS	LS

JOB NO. : J-858

PROJECT :
PROPOSED RESIDENTIAL DEVELOPMENT
AT TKOIL 70RP, PHASE 11, LOHAS PARK
TSEUNG KWAN O, N.T.

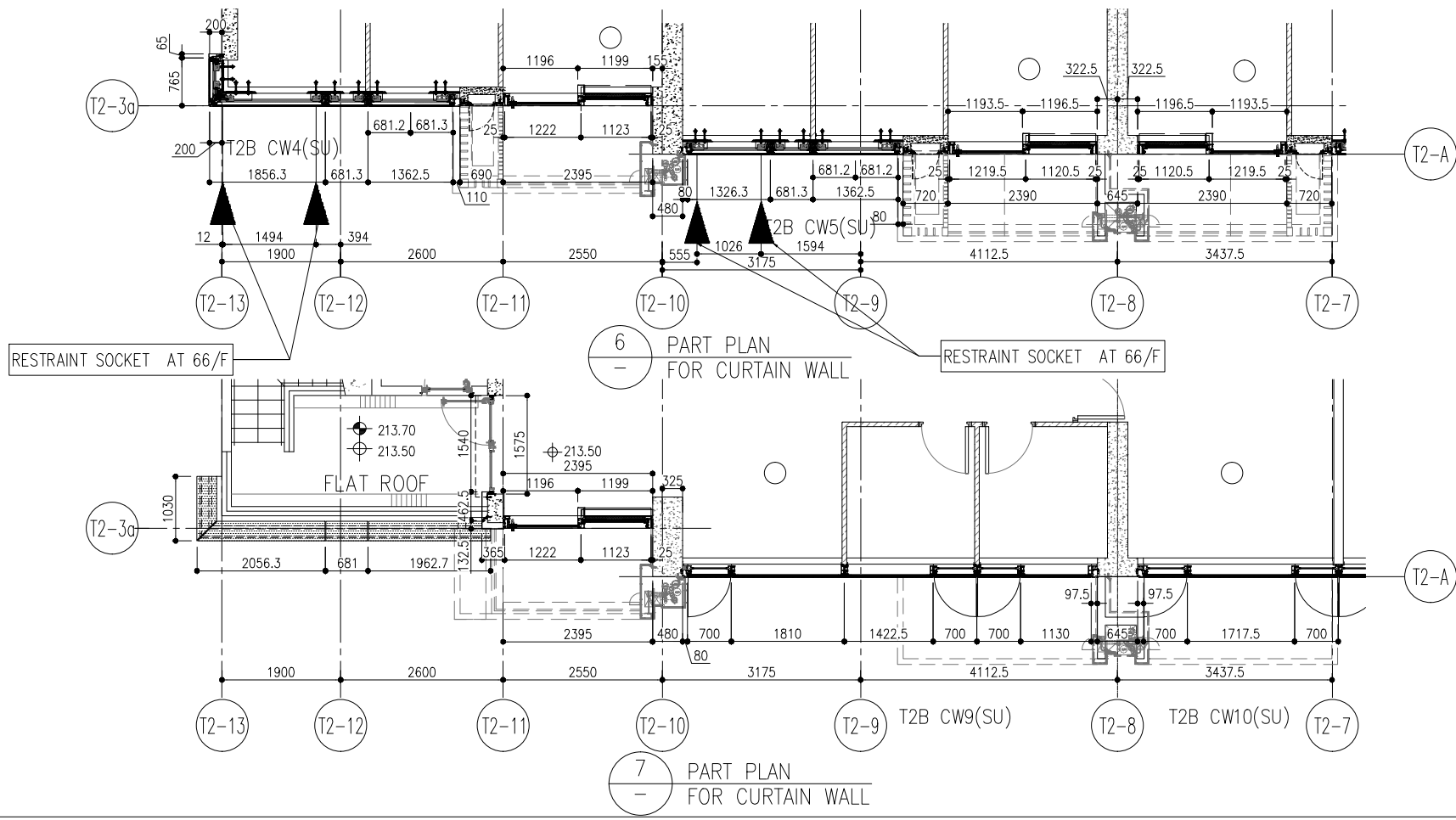
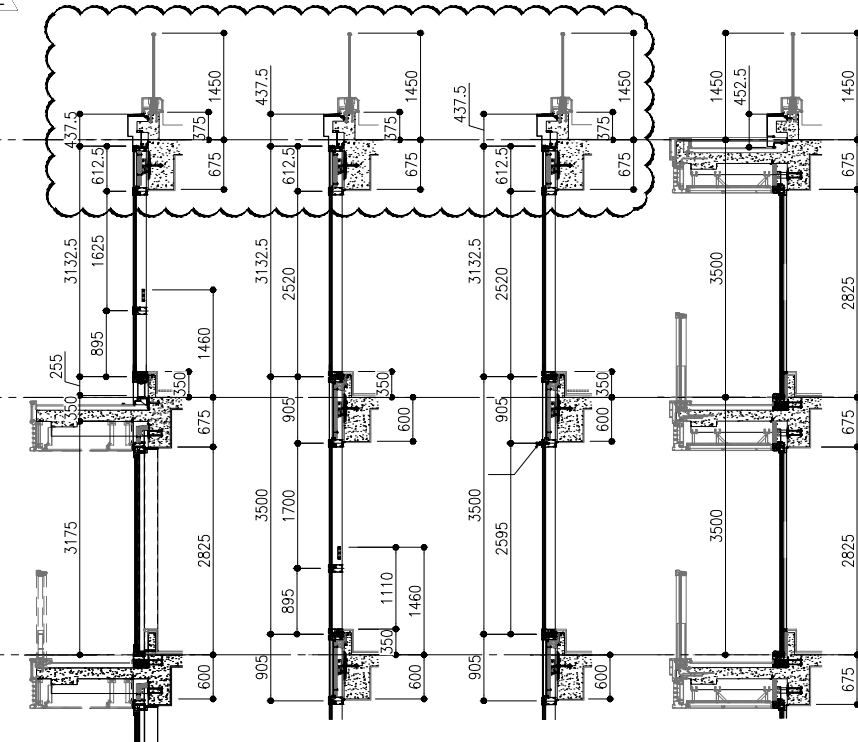
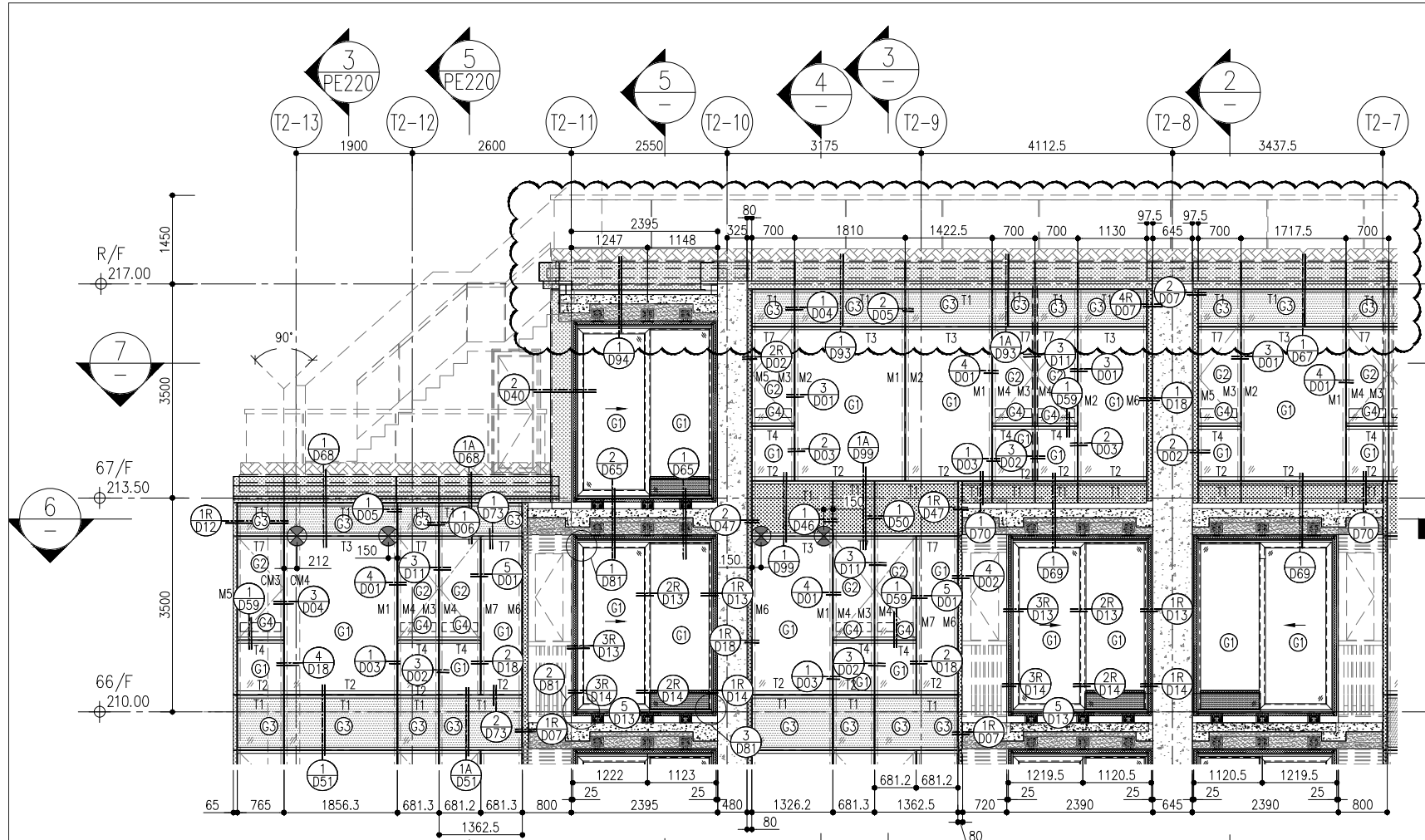
TITLE :
PENTHOUSE FLOOR PARTIAL
ELEVATION & SECTION, PLAN
FOR CURTAIN WALL (TOWER 3)

DATE : 22-OCT-21 SCALE : 1:50(A1)

DRAWN BY : CHECKED BY :

美特鋁質有限公司
MIDI ALUMINIUM FABRICATOR LTD.
Units 6-8, Sunray Industrial Centre, 1/F
610 Cha Kwo Ling Road, Kowloon
Tel: 23489211-4 Fax: (852) 2772666

DWG NO. : J858-CW-PE318 REV. : F



LEGEND:

- 10mm THK. HEAT STRENGTHENED GLASS (OUTSIDE) + 12mm AIR SPACE + 12mm THK. TEMPERED GLASS
- 10mm THK. HEAT STRENGTHENED GLASS (OUTSIDE) + 12mm AIR SPACE + 10mm THK. TEMPERED GLASS
- 12mm THK. HEAT STRENGTHENED GLASS
- 12mm THK. CLEAR TEMPERED GLASS (INTERNAL PROTECTIVE BARRIER)
- 10mm THK. HEAT STRENGTHENED GLASS (OUTSIDE) + 12mm AIR SPACE + 12mm THK. TEMPERED GLASS WITH REFLECTIVE COATING
- 10mm THK. CLEAR TEMPERED GLASS
- 8mm THK. CLEAR HEAT-STRENGTHENED GLASS + 1.5mm PVB + 8mm THK. CLEAR HEAT-STRENGTHENED GLASS
- 3 mm THK. ALUM. CLADDING
- 3 mm THK. ALUM. BACKPAN
- S.J. - STACK JOINT
- RESTRAINT SOCKET

B.D. REF :

CLIENT :
 信和置業有限公司
 Sino Land Company Limited

ARCHITECT :
 ronald lu & partners
 Architects, Planners, Interior Designers
 Ronald Lu & Partners (HK) Ltd.
 呂元祥建築師事務所 (香港) 有限公司

MAIN CONTRACTOR :
 Gammon

STRUCTURAL ENGINEER :
 AECOM

FACADE CONSULTANT:
 AECOM

NOTE :
 1. ALL DIMENSIONS ARE IN mm.
 2. ALL ELEVATIONS ARE VIEWED FROM OUTSIDE.
 3. ALL DIMENSIONS TO BE VERIFIED ON SITE BEFORE FABRICATION.

LEGEND :
 X1 - DETAIL MARK NO.
 X001 - REFER SHEET NO.

1. F.F.L. -- FINISHED FLOOR LEVEL
 2. S.F.L. -- STRUCTURAL FLOOR LEVEL
 3. (R) -- REVERSED DETAIL

NO.	DATE	REVISED	BY
E	14/08/23	REVISED AS PER COMMENTS	LS
D	22/04/23	REVISED AS PER COMMENTS	LS
C	18/08/22	REVISED AS PER COMMENTS	LS
B	26/07/22	REVISED AS PER COMMENTS	LS
A	12/04/22	REVISED AS PER COMMENTS	LS

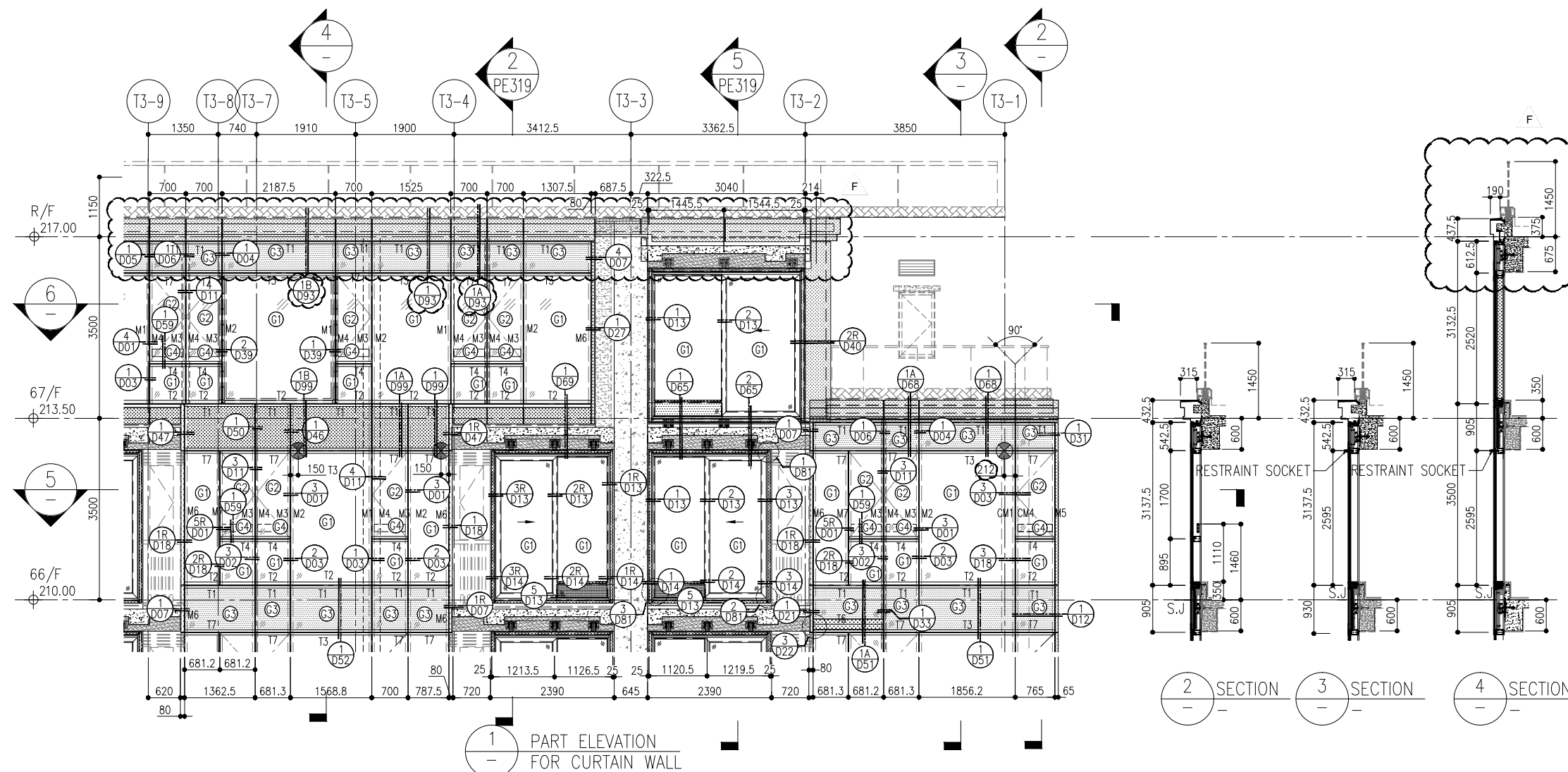
JOB NO. : J-858
 PROJECT : PROPOSED RESIDENTIAL DEVELOPMENT AT TKOIL 70R, PHASE 11, LOHAS PARK TSEUNG KWAN O, N.T.

TITLE : PENTHOUSE FLOOR PARTIAL ELEVATION & SECTION, PLAN FOR CURTAIN WALL (TOWER 2)

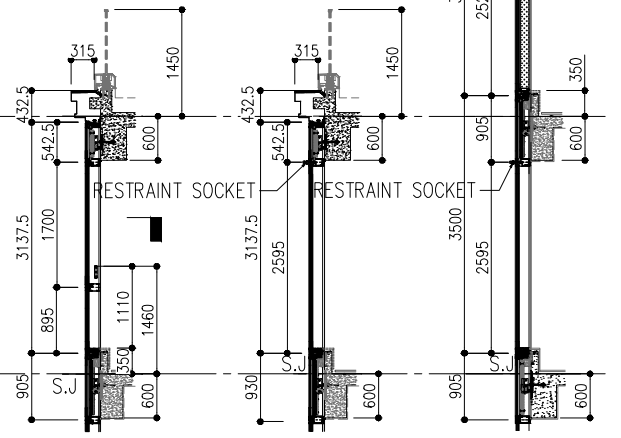
DATE : 22-OCT-21 SCALE : 1:50(A1)

DRAWN BY : CHECKED BY :

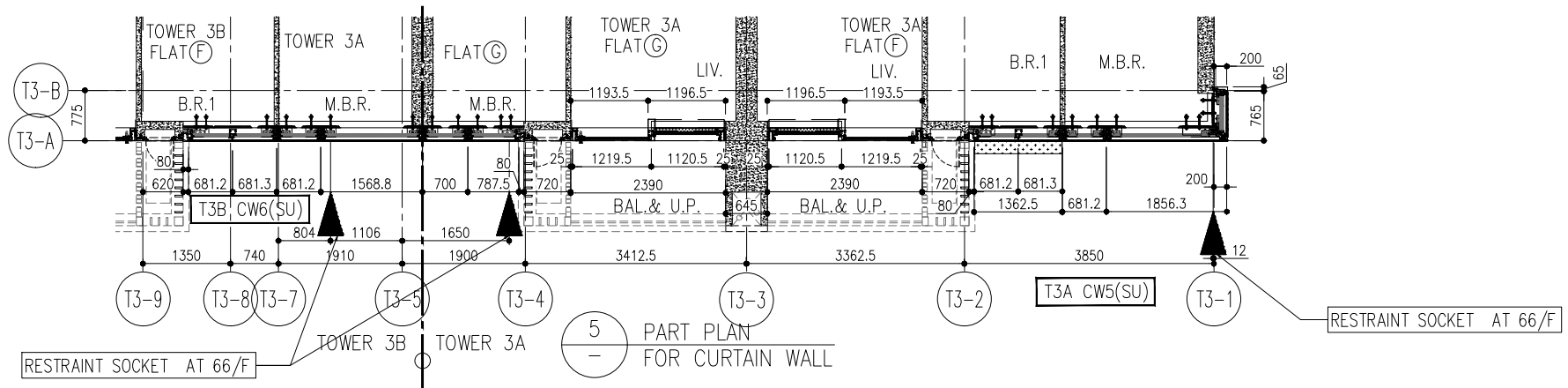
美特鋁質有限公司
 MIDI ALUMINIUM FABRICATOR LTD.
 Units 6-8, Sunray Industrial Centre, 1/F
 610 Cha Kwo Ling Road, Kowloon
 Tel: 23489211-4 Fax: (852) 27727666
 DWG NO. : J858-CW-PE219 REV. : E



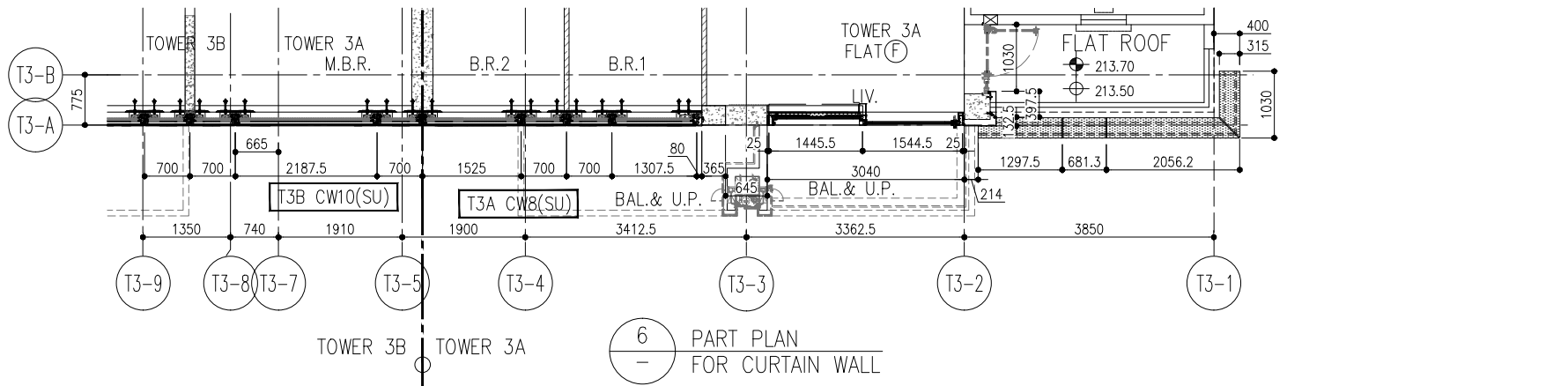
1 PART ELEVATION FOR CURTAIN WALL



2 SECTION 3 SECTION 4 SECTION



5 PART PLAN FOR CURTAIN WALL



6 PART PLAN FOR CURTAIN WALL

- LEGEND:**
- 10mm THK. HEAT STRENGTHENED GLASS (OUTSIDE) +12mm AIR SPACE + 12mm THK. TEMPERED GLASS
 - 10mm THK. HEAT STRENGTHENED GLASS (OUTSIDE) +12mm AIR SPACE + 10mm THK. TEMPERED GLASS
 - 12mm THK. HEAT STRENGTHENED GLASS
 - 12mm THK. CLEAR TEMPERED GLASS (INTERNAL PROTECTIVE BARRIER)
 - 10mm THK. HEAT STRENGTHENED GLASS (OUTSIDE) +12mm AIR SPACE + 12mm THK. TEMPERED GLASS WITH REFLECTIVE COATING
 - 10mm THK. CLEAR TEMPERED GLASS
 - 8mm THK. CLEAR HEAT-STRENGTHENED GLASS + 2mm PVB + 8mm THK. CLEAR HEAT-STRENGTHENED GLASS
 - 3 mm THK. ALUM. CLADDING
 - 3 mm THK. ALUM. BACKPAN
 - STACK JOINT
 - RESTRAINT SOCKET

B.D. REF :

CLIENT :
 信和置業有限公司
 Sino Land Company Limited

ARCHITECT :
 ronald lu & partners
 Architects, Planners, Interior Designers
 Ronald Lu & Partners (HK) Ltd.
 呂元祥建築師事務所 (香港) 有限公司

MAIN CONTRACTOR :
 Gammon

STRUCTURAL ENGINEER :
 AECOM

FACADE CONSULTANT:
 AECOM

NOTE :

- ALL DIMENSIONS ARE IN mm.
- ALL ELEVATIONS ARE VIEWED FROM OUTSIDE.
- ALL DIMENSIONS TO BE VERIFIED ON SITE BEFORE FABRICATION.

LEGEND :

- DETAIL MARK NO.
- REFER SHEET NO.

- F.F.L. -- FINISHED FLOOR LEVEL
- S.F.L. -- STRUCTURAL FLOOR LEVEL
- REVERSED DETAIL

NO.	DATE	REVISED	BY
F	14/08/23	REVISED AS PER COMMENTS	LS
E	26/04/23	REVISED AS PER COMMENTS	LS
D	18/08/22	REVISED AS PER COMMENTS	LS
C	26/07/22	REVISED AS PER COMMENTS	LS
B	25/05/22	REVISED AS PER COMMENTS	LS
A	12/03/22	REVISED AS PER COMMENTS	LS

JOB NO. : J-858
 PROJECT : PROPOSED RESIDENTIAL DEVELOPMENT AT TKOIL 70RP, PHASE 11, LOHAS PARK TSEUNG KWAN O, N.T.

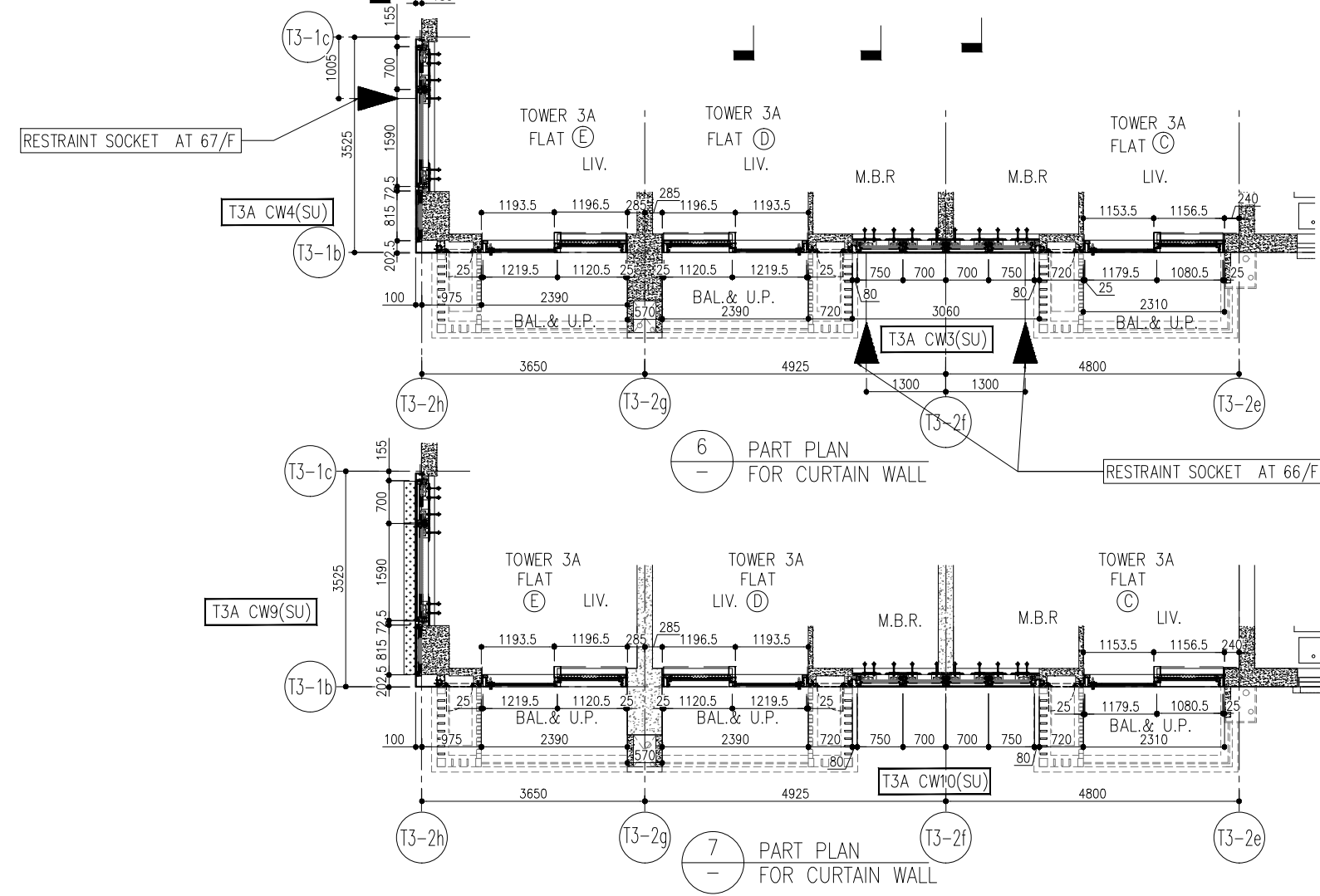
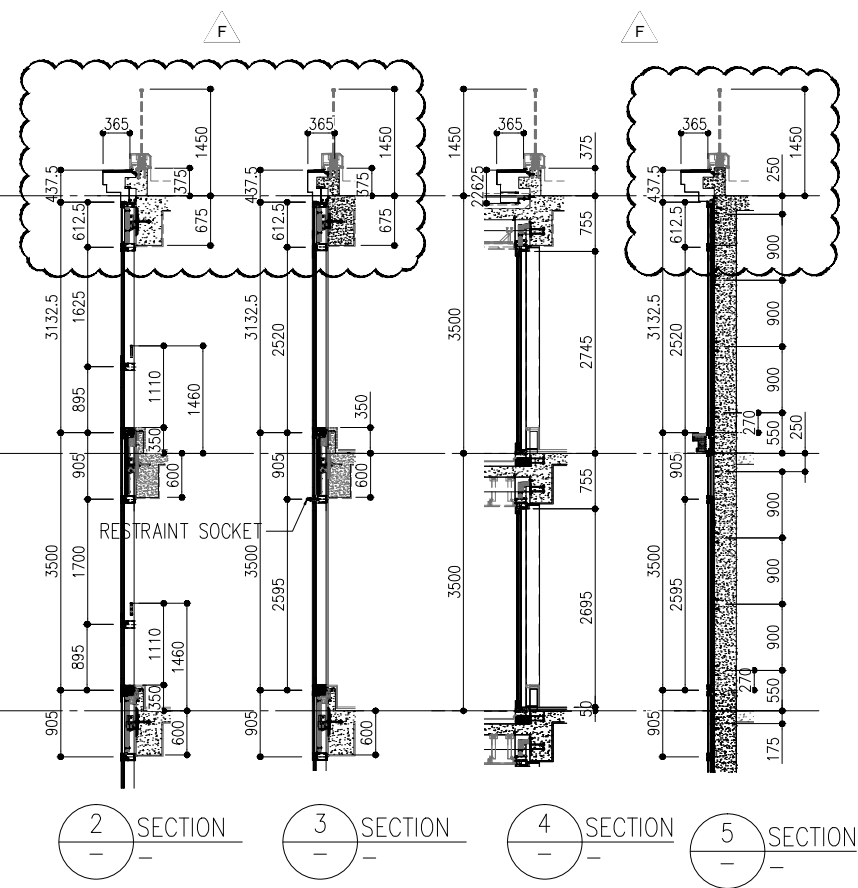
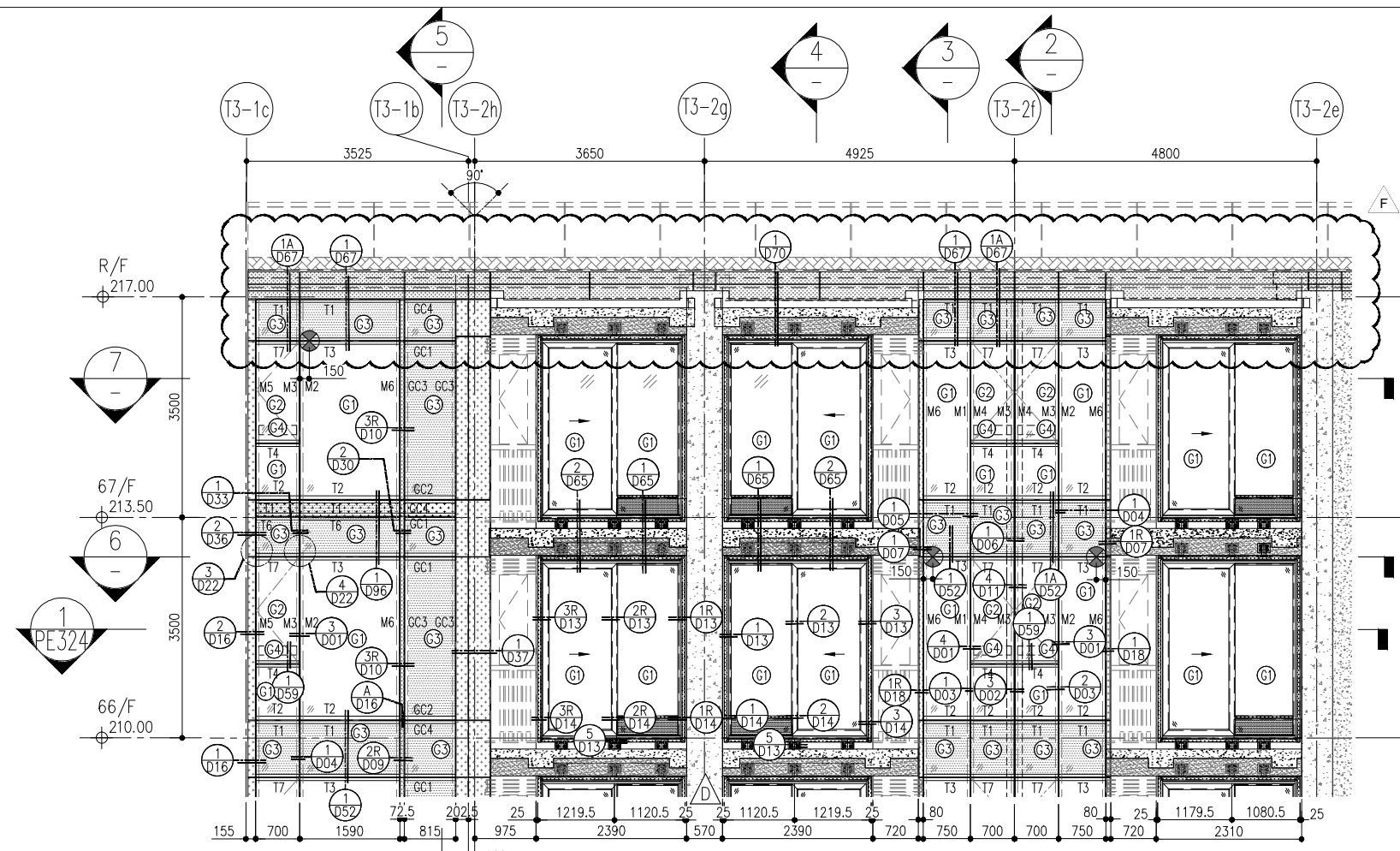
TITLE : PENTHOUSE FLOOR PARTIAL ELEVATION & SECTION, PLAN FOR CURTAIN WALL (TOWER 3)

DATE : 22-OCT-21 SCALE : 1:50(A1)

DRAWN BY : CHECKED BY :

美特鋁質有限公司
 MIDI ALUMINIUM FABRICATOR LTD.
 Units 6-8, Sunray Industrial Centre, 1/F
 610 Cha Kwo Ling Road, Kowloon
 Tel: 23489211-4 Fax: (852) 27727666

DWG NO. : J858-CW-PE320 REV. : F



- LEGEND:**
- 10mm THK. HEAT STRENGTHENED GLASS (OUTSIDE) + 12mm AIR SPACE + 12mm THK. TEMPERED GLASS
 - 10mm THK. HEAT STRENGTHENED GLASS (OUTSIDE) + 12mm AIR SPACE + 10mm THK. TEMPERED GLASS
 - 12mm THK. HEAT STRENGTHENED GLASS
 - 12mm THK. CLEAR TEMPERED GLASS (INTERNAL PROTECTIVE BARRIER)
 - 10mm THK. HEAT STRENGTHENED GLASS (OUTSIDE) + 12mm AIR SPACE + 12mm THK. TEMPERED GLASS WITH REFLECTIVE COATING
 - 10mm THK. CLEAR TEMPERED GLASS
 - 8mm THK. CLEAR HEAT-STRENGTHENED GLASS + 2mm PVB + 8mm THK. CLEAR HEAT STRENGTHENED GLASS
 - 3 mm THK. ALUM. CLADDING
 - 3 mm THK. ALUM. BACKPAN
 - STACK JOINT
 - RESTRAINT SOCKET

B.D. REF :

CLIENT :
 信和置業有限公司
 Sino Land Company Limited

ARCHITECT :
 ronald lu & partners
 Architects, Planners, Interior Designers
 Ronald Lu & Partners (HK) Ltd.
 呂元祥建築師事務所 (香港) 有限公司

MAIN CONTRACTOR :
 Gammon

STRUCTURAL ENGINEER :
 AECOM

FACADE CONSULTANT:
 AECOM

NOTE :
 1. ALL DIMENSIONS ARE IN mm.
 2. ALL ELEVATIONS ARE VIEWED FROM OUTSIDE.
 3. ALL DIMENSIONS TO BE VERIFIED ON SITE BEFORE FABRICATION.

LEGEND :
 X1 -- DETAIL MARK NO.
 X001 -- REFER SHEET NO.

1. F.F.L. -- FINISHED FLOOR LEVEL
 2. S.F.L. -- STRUCTURAL FLOOR LEVEL
 3. (R) -- REVERSED DETAIL

NO.	DATE	REVISED	BY
F	14/08/23	REVISED AS PER COMMENTS	LS
E	26/04/23	REVISED AS PER COMMENTS	LS
D	18/08/22	REVISED AS PER COMMENTS	LS
C	26/07/22	REVISED AS PER COMMENTS	LS
B	26/05/22	REVISED AS PER COMMENTS	LS
A	12/03/22	REVISED AS PER COMMENTS	LS

JOB NO. : J-858
 PROJECT : PROPOSED RESIDENTIAL DEVELOPMENT AT TKOIL 70R, PHASE 11, LOHAS PARK TSEUNG KWAN O, N.T.

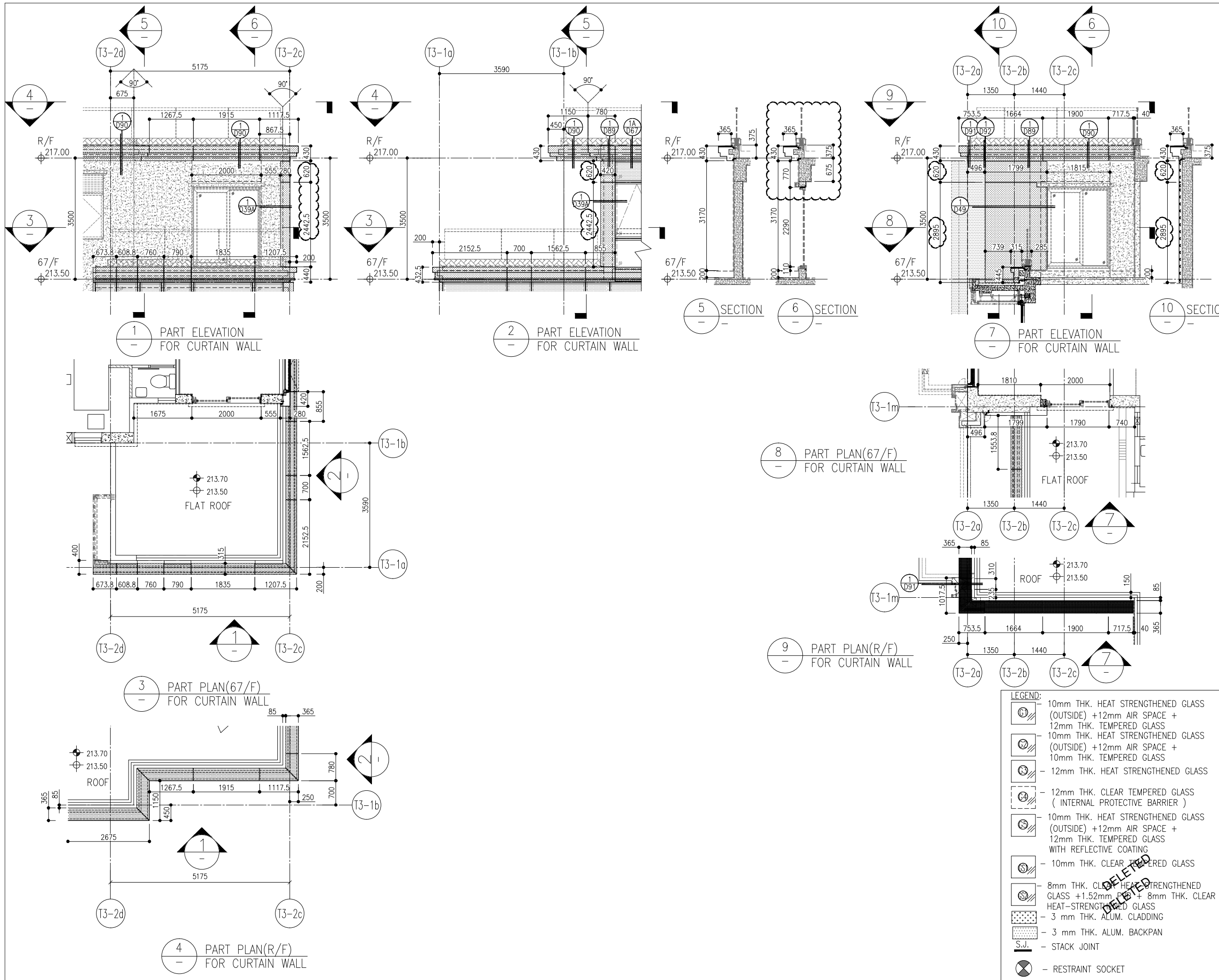
TITLE : PENTHOUSE FLOOR PARTIAL ELEVATION & SECTION, PLAN FOR CURTAIN WALL (TOWER 3)

DATE : 22-OCT-21 SCALE : 1:50(A1)

DRAWN BY : CHECKED BY :

美特鋁質有限公司
 MIDI ALUMINIUM FABRICATOR LTD.
 Units 6-8, Sunray Industrial Centre, 1/F
 610 Cha Kwo Ling Road, Kowloon
 Tel: 23489211-4 Fax: (852) 27727666

DWG NO. : J858-CW-PE321 REV. : F



B.D. REF :

CLIENT :
 信和置業有限公司
 Sino Land Company Limited

ARCHITECT :
 ronald lu & partners
 Architects, Planners, Interior Designers
 Ronald Lu & Partners (HK) Ltd.
 呂元祥建築師事務所 (香港) 有限公司

MAIN CONTRACTOR :
 Gammon

STRUCTURAL ENGINEER :
 AECOM

FACADE CONSULTANT:
 AECOM

NOTE :
 1. ALL DIMENSIONS ARE IN mm.
 2. ALL ELEVATIONS ARE VIEWED FROM OUTSIDE.
 3. ALL DIMENSIONS TO BE VERIFIED ON SITE BEFORE FABRICATION.

LEGEND :
 X1 - DETAIL MARK NO.
 X001 - REFER SHEET NO.

1. F.F.L. -- FINISHED FLOOR LEVEL
 2. S.F.L. -- STRUCTURAL FLOOR LEVEL
 3. (R) -- REVERSED DETAIL

NO.	DATE	REVISION	BY
A	14/08/23	REVISED AS PER COMMENTS	LS

JOB NO. : J-858
 PROJECT : PROPOSED RESIDENTIAL DEVELOPMENT AT TKOIL 70RP, PHASE 11, LOHAS PARK TSEUNG KWAN O, N.T.

TITLE : PENTHOUSE FLOOR PARTIAL ELEVATION & SECTION, PLAN FOR CURTAIN WALL (TOWER 3)

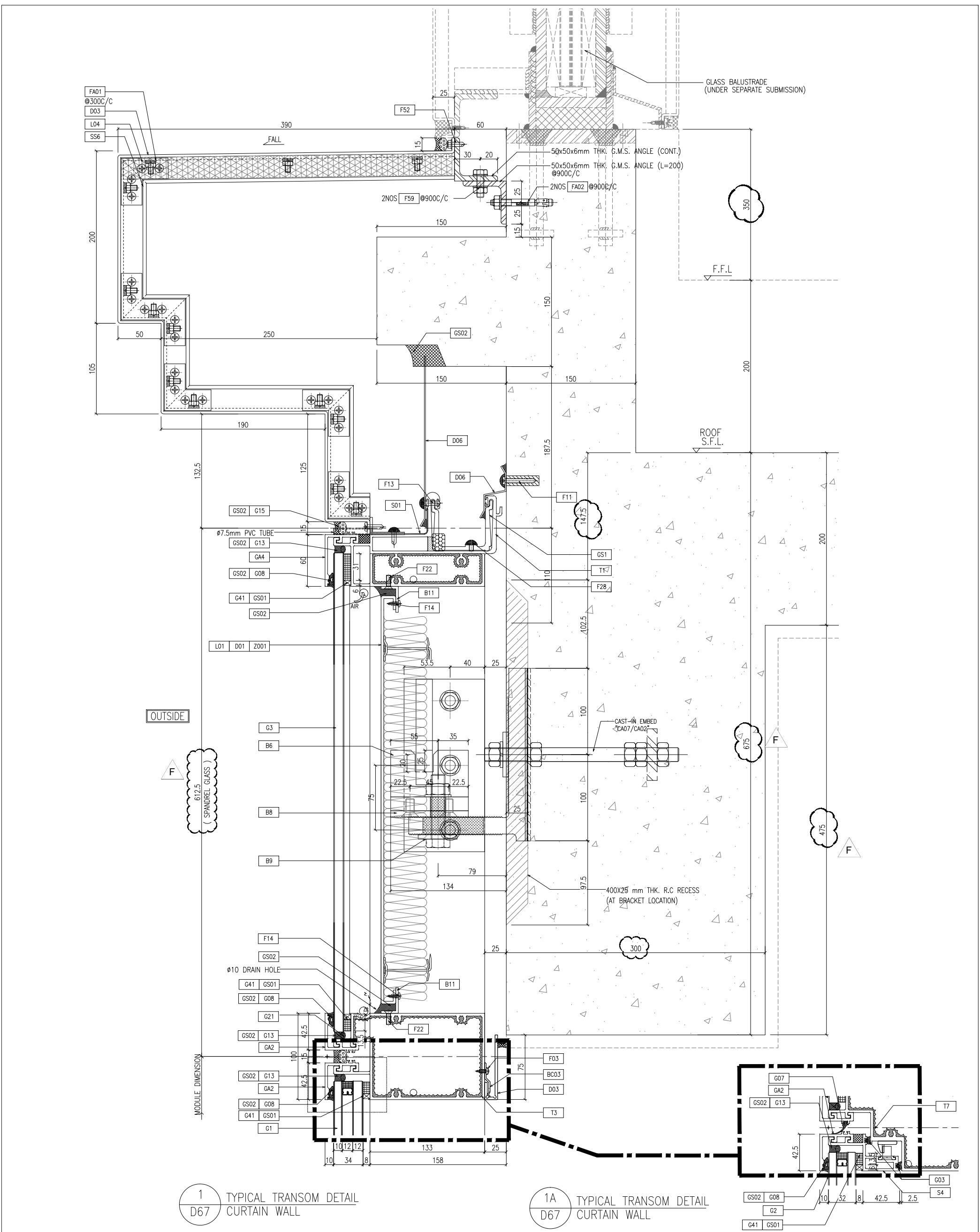
DATE : 12-MAY-23 SCALE : 1:50(A1)

DRAWN BY : CHECKED BY :

美特鋁質有限公司
 MIDI ALUMINIUM FABRICATOR LTD.
 Units 6-8, Sunray Industrial Centre, 1/F
 610 Cha Kwo Ling Road, Kowloon
 Tel: 23489211-4 Fax: (852) 2772666

DWG NO. : J858-CW-PE325 REV. : A

- LEGEND:
- 10mm THK. HEAT STRENGTHENED GLASS (OUTSIDE) + 12mm AIR SPACE + 12mm THK. TEMPERED GLASS
 - 10mm THK. HEAT STRENGTHENED GLASS (OUTSIDE) + 12mm AIR SPACE + 10mm THK. TEMPERED GLASS
 - 12mm THK. HEAT STRENGTHENED GLASS
 - 12mm THK. CLEAR TEMPERED GLASS (INTERNAL PROTECTIVE BARRIER)
 - 10mm THK. HEAT STRENGTHENED GLASS (OUTSIDE) + 12mm AIR SPACE + 12mm THK. TEMPERED GLASS WITH REFLECTIVE COATING
 - 10mm THK. CLEAR TEMPERED GLASS
 - 8mm THK. CLEAR HEAT STRENGTHENED GLASS + 1.52mm CLEAR HEAT-STRENGTHENED GLASS
 - 3 mm THK. ALUM. CLADDING
 - 3 mm THK. ALUM. BACKPAN
 - S.J. - STACK JOINT
 - RESTRAINT SOCKET



1 TYPICAL TRANSOM DETAIL
D67 CURTAIN WALL

1A TYPICAL TRANSOM DETAIL
D67 CURTAIN WALL

B.D. REF :

CLIENT :
信和置業有限公司
Sino Land Company Limited

ARCHITECT :
ronald lu & partners
Architects, Planners, Interior Designers
Ronald Lu & Partners (HK) Ltd.
呂元祥建築師事務所 (香港) 有限公司
MAIN CONTRACTOR :

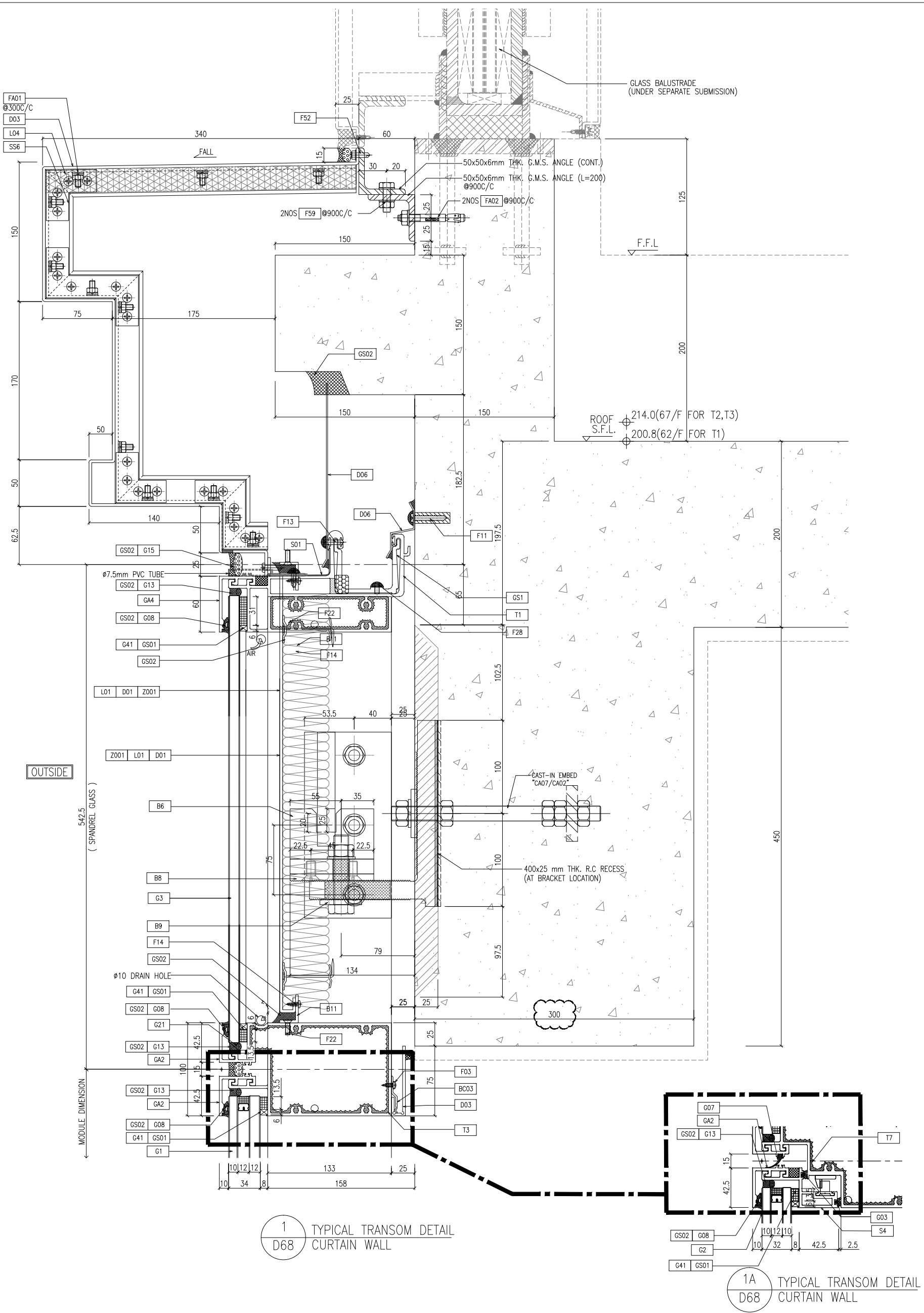
STRUCTURAL ENGINEER :
Gammom
FACADE CONSULTANT:
AECOM

NOTE :
1. ALL DIMENSIONS ARE IN mm.
2. ALL ELEVATIONS ARE VIEWED FROM OUTSIDE.
3. ALL DIMENSIONS TO BE VERIFIED ON SITE BEFORE FABRICATION.
LEGEND :
X1 -- DETAIL MARK NO.
X001 -- REFER SHEET NO.
1. F.F.L. -- FINISHED FLOOR LEVEL
2. S.F.L. -- STRUCTURAL FLOOR LEVEL
3. /R -- REVERSED DETAIL

NO.	DATE	REVISION	BY
F	14/08/23	REVISED AS PER COMMENTS	LS
E	05/05/23	REVISED AS PER COMMENTS	LS
D	28/09/22	REVISED AS PER COMMENTS	LS
C	29/09/22	REVISED AS PER COMMENTS	LS
B	07/04/22	REVISED AS PER COMMENTS	LS
A	25/01/22	REVISED AS PER COMMENTS	LS

JOB NO. : J-858
PROJECT :
PROPOSED RESIDENTIAL DEVELOPMENT
AT TKOIL 70RP, PHASE 11, LOHAS PARK
TSEUNG KWAN O, N.T.
TITLE :
TYPICAL TRANSOM DETAIL
FOR CURTAIN WALL
DATE : 22-OCT-21
SCALE : 1:2(A1)
DRAWN BY :
CHECKED BY :

MIDI 美特鋁質有限公司
ALUMINIUM FABRICATOR LTD.
Units 6-8, Sunray Industrial Centre, 1/F
610 Cha Kwo Ling Road, Kowloon
Tel: 23489211-4 Fax: (852) 27272666
DWG NO. : J858-CW-D67
REV. : F



1 TYPICAL TRANSOM DETAIL
D68 CURTAIN WALL

1A TYPICAL TRANSOM DETAIL
D68 CURTAIN WALL

B.D. REF :

CLIENT :
信和置業有限公司
Sino Land Company Limited

ARCHITECT :
ronald lu & partners
Ronald Lu & Partners (HK) Ltd.
呂元祥建築師事務所 (香港) 有限公司

STRUCTURAL ENGINEER :
Gammon

FAÇADE CONSULTANT :
AECOM

NOTE :
1. ALL DIMENSIONS ARE IN mm.
2. ALL ELEVATIONS ARE VIEWED FROM OUTSIDE.
3. ALL DIMENSIONS TO BE VERIFIED ON SITE BEFORE FABRICATION.

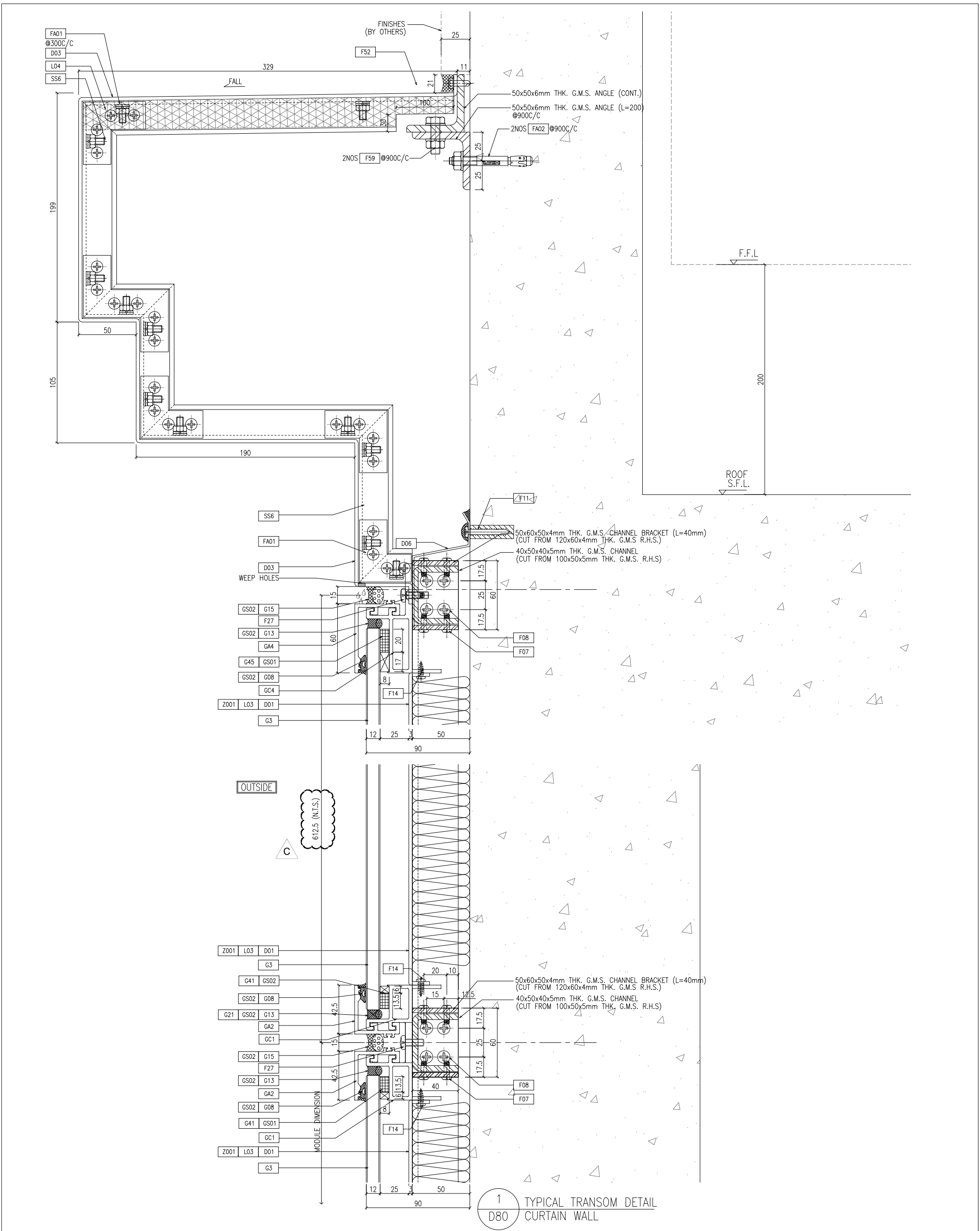
LEGEND :
① -- DETAIL MARK NO.
② -- REFER SHEET NO.
1. F.F.L. -- FINISHED FLOOR LEVEL
2. S.F.L. -- STRUCTURAL FLOOR LEVEL
3. Ⓡ -- REVERSED DETAIL

NO.	DATE	REVISION	BY
E	05/05/23	REVISED AS PER COMMENTS	LS
D	28/09/22	REVISED AS PER COMMENTS	LS
C	29/05/22	REVISED AS PER COMMENTS	LS
B	07/04/22	REVISED AS PER COMMENTS	LS
A	25/01/22	REVISED AS PER COMMENTS	LS

JOB NO. : J-858
PROJECT : PROPOSED RESIDENTIAL DEVELOPMENT AT TKOIL 709P, PHASE 11, LOHAS PARK TSEUNG KWAN O, N.T.
TITLE : TYPICAL TRANSOM DETAIL FOR CURTAIN WALL

DATE : 22-OCT-21 SCALE : 1:2(A1)
DRAWN BY :
CHECKED BY :

UNITED ALUMINIUM FABRICATOR LTD.
MIDI 美特鋁質有限公司
Units 6-8, Sunroy Industrial Centre, V/F
610 Cha Kwo Ling Road, Kowloon
Tel: 23489211-4 Fax: (852) 27272666
DWG NO. : J858-CW-068
REV : E




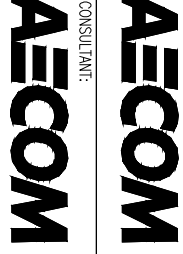
B.D. REF :

CLIENT :

 信和置業有限公司
 Sino Land Company Limited

ARCHITECT :

 ronald lu & partners
 Architects, Planners, Interior Designers
 Ronald Lu & Partners (HK) Ltd.
 呂元祥建築師事務所 (香港) 有限公司
 MAIN CONTRACTOR :


STRUCTURAL ENGINEER :

Gammon
 FACADE CONSULTANT:

AECOM

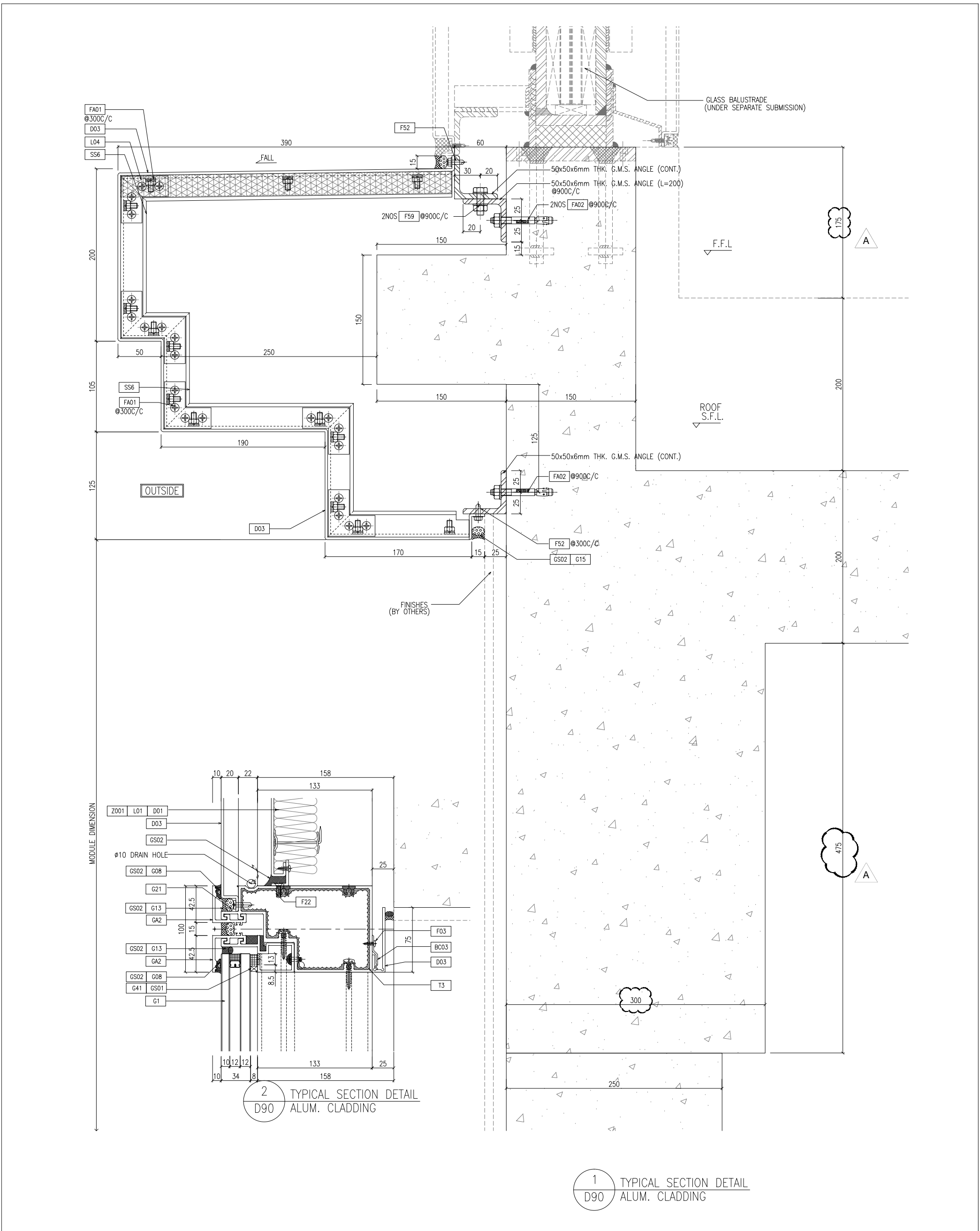
NOTE :
 1. ALL DIMENSIONS ARE IN mm.
 2. ALL ELEVATIONS ARE VIEWED FROM OUTSIDE.
 3. ALL DIMENSIONS TO BE VERIFIED ON SITE BEFORE FABRICATION.

LEGEND :
 (X1) --- DETAIL MARK NO.
 (X001) --- REFER SHEET NO.
 1. F.F.L. --- FINISHED FLOOR LEVEL
 2. S.F.L. --- STRUCTURAL FLOOR LEVEL
 3. (R) --- REVERSED DETAIL

NO.	DATE	REVISION	BY
C	14/08/23	REVISED AS PER COMMENTS	LS
B	05/05/23	REVISED AS PER COMMENTS	LS
A	22/07/22	REVISED AS PER COMMENTS	LS

JOB NO. : J-858
 PROJECT :
 PROPOSED RESIDENTIAL DEVELOPMENT
 AT TKOIL 70RP, PHASE 11, LOHAS PARK
 TSEUNG KWAN O, N.T.
 TITLE :
 TYPICAL TRANSOM DETAIL
 FOR CURTAIN WALL
 DATE : 22-OCT-21 SCALE : 1:2(A1)
 DRAWN BY :
 CHECKED BY :


 MIDI ALUMINIUM FABRICATOR LTD.
 Units 6-8, Sunny Industrial Centre, V/F
 610 Cha Kwo Ling Road, Kowloon
 Tel:23489211-4 Fax:(852)27272766
 DWG NO. : J858-CW-D80 REV. : C



1 TYPICAL SECTION DETAIL D90 ALUM. CLADDING

2 TYPICAL SECTION DETAIL D90 ALUM. CLADDING

B.D. REF :

CLIENT :
 信和置業有限公司
 Sino Land Company Limited

ARCHITECT :
 ronald lu & partners
 Architect Partners - Interior Designers
 Ronald Lu & Partners (HK) Ltd.
 呂元祥建築師事務所 (香港) 有限公司
 MAIN CONTRACTOR :

STRUCTURAL ENGINEER :
 Gammon
 STRUCTURAL CONSULTANT :
 AECOM
 FACADE CONSULTANT :
 AECOM

NOTE :
 1. ALL DIMENSIONS ARE IN mm.
 2. ALL ELEVATIONS ARE VIEWED FROM OUTSIDE.
 3. ALL DIMENSIONS TO BE VERIFIED ON SITE BEFORE FABRICATION.

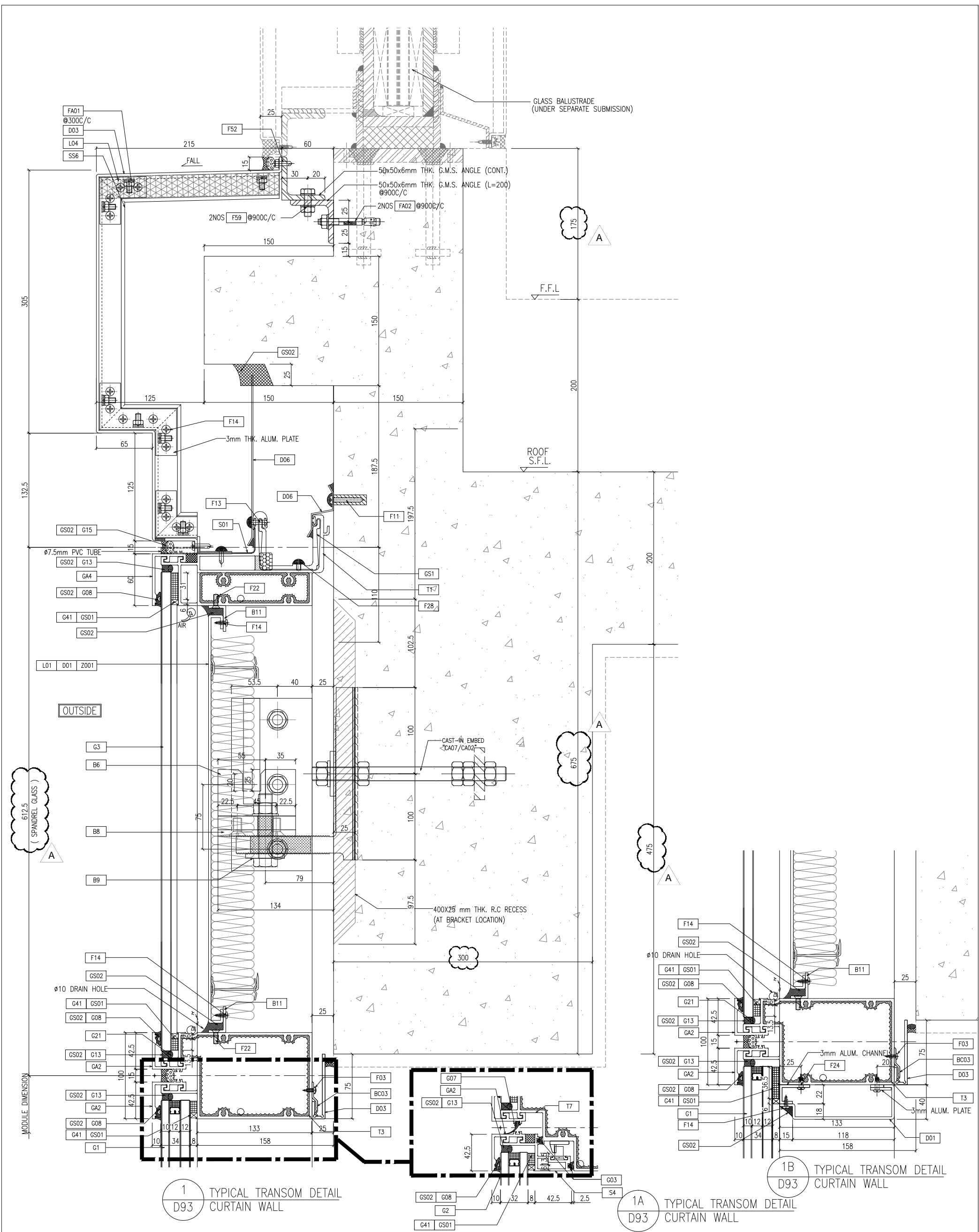
LEGEND :
 (X1) --- DETAIL MARK NO.
 (X001) --- REFER SHEET NO.
 1. F.F.L. --- FINISHED FLOOR LEVEL
 2. S.F.L. --- STRUCTURAL FLOOR LEVEL
 3. (R) --- REVERSED DETAIL

NO.	DATE	REVISED AS PER COMMENTS	LS
A	14/08/23	REVISED AS PER COMMENTS	BR
JOB NO. : J-858			


PROJECT :
 PROPOSED RESIDENTIAL DEVELOPMENT
 AT TKOIL 70RP, PHASE 11, LOHAS PARK
 TSEUNG KWAN O, N.T.

TITLE :
 TYPICAL SECTION DETAIL
 FOR ALUM. CLADDING

DATE : 22-OCT-21 SCALE : 1:2(A1)
 DRAWN BY :
 CHECKED BY :
 MIDI ALUMINIUM FABRICATOR LTD.
 Units 6-8, Sunny Industrial Centre, V/F
 610 Cha Kwo Ling Road, Kowloon
 Tel:23489211-4 Fax:(852)27272766
 DWG NO. : J858-CW-D90
 REV. : A



B.D. REF :


CLIENT :

 信和置業有限公司
 Sino Land Company Limited

ARCHITECT :

 ronald lu & partners
 Architectural Planning - Interior Design
 Ronald Lu & Partners (HK) Ltd.
 呂元祥建築師事務所 (香港) 有限公司
 MAIN CONTRACTOR :


STRUCTURAL ENGINEER :

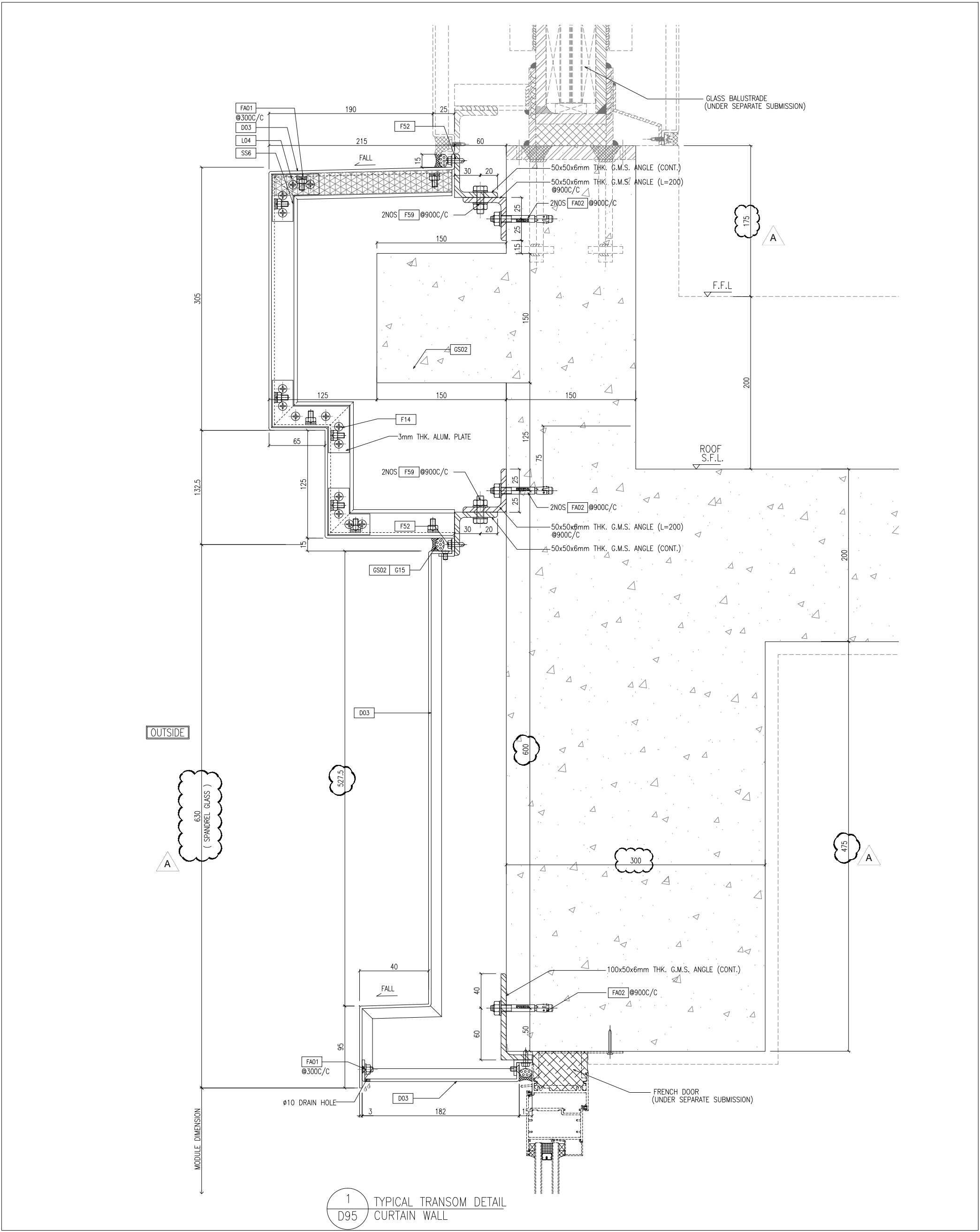
 Gammon

FAÇADE CONSULTANT:

 AECOM

NOTE:
 1. ALL DIMENSIONS ARE IN mm.
 2. ALL ELEVATIONS ARE VIEWED FROM OUTSIDE.
 3. ALL DIMENSIONS TO BE VERIFIED ON SITE BEFORE FABRICATION.

LEGEND:
 (X) --- DETAIL MARK NO.
 (X00) --- REFER SHEET NO.
 1. F.F.L. --- FINISHED FLOOR LEVEL
 2. S.F.L. --- STRUCTURAL FLOOR LEVEL
 3. (R) --- REVERSED DETAIL

JOB NO. : J-858	
PROJECT : PROPOSED RESIDENTIAL DEVELOPMENT AT TKOIL 709P, PHASE 11, LOHAS PARK, TSEUNG KWAN O, N.T.	
TITLE : TYPICAL TRANSOM DETAIL FOR CURTAIN WALL	
DATE : 22-OCT-21	SCALE : 1:2(A1)
DRAWN BY :	CHECKED BY :
 MIDI ALUMINIUM FABRICATOR LTD. Units 6-8, Sunny Industrial Centre, 1/F 610 Cho Kwong Road, Kowloon Tel: 23489211-4 Fax: (852) 27277666 DWG NO. : J858-CW-D93	
REV. : A	



1 TYPICAL TRANSOM DETAIL
D95 CURTAIN WALL

B.D. REF :

CLIENT :
信和置業有限公司
Sino Land Company Limited

ARCHITECT :
ronald lu & partners
Architects Planners-Interior Designers
Ronald Lu & Partners (HK) Ltd.
呂元祥建築師事務所 (香港) 有限公司
MAIN CONTRACTOR :

STRUCTURAL ENGINEER :
Gammon
AECOM
AECOM

NOTE :
1. ALL DIMENSIONS ARE IN mm.
2. ALL ELEVATIONS ARE VIEWED FROM OUTSIDE.
3. ALL DIMENSIONS TO BE VERIFIED ON SITE BEFORE FABRICATION.

LEGEND :
 (X1) --- DETAIL MARK NO.
 (X00) --- REFER SHEET NO.
 1. F.F.L. --- FINISHED FLOOR LEVEL
 2. S.F.L. --- STRUCTURAL FLOOR LEVEL
 3. (R) --- REVERSED DETAIL

NO.	DATE	REVISIONS	LS
A	14/08/23	REVISED AS PER COMMENTS	LS
			BR

JOB NO. : J-858

PROJECT :
PROPOSED RESIDENTIAL DEVELOPMENT
AT TKOIL 70RP, PHASE 11, LOHAS PARK
TSEUNG KWAN O, N.T.

TITLE :
TYPICAL TRANSOM DETAIL
FOR CURTAIN WALL

DATE : 22-OCT-21
SCALE : 1:2(A1)
DRAWN BY :
CHECKED BY :

美特铝质有限公司
MIDI ALUMINIUM FABRICATOR LTD.
Units 6-8, Sunroy Industrial Centre, V/F
610 Cha Kwo Ling Road, Kowloon
Tel:23489211-4 Fax:(852)27272666
DWG NO. : J858-CW-D95
REV. : A

