



工程指示 / 要求簡箋(E.I.)

工程指示編號：EI / 6597 / 23

修改版次： -

工程編號：J - 858

工程名稱：將軍澳日出康城 11

工程項目：GC 補出 GC07 一條 地盤用

(出貨 有誤)

收件人：生統

發件人：Paul Wong 日期：09/08/2023

□要求提供 / □確認 事項：

- | | | |
|------------------------------------|-------------------------------------|-------------------------------|
| <input type="checkbox"/> 初步鋁料 B.M. | <input type="checkbox"/> 加工拆圖，然後生產 | <input type="checkbox"/> 尺寸表 |
| <input type="checkbox"/> 正式鋁料 B.M. | <input type="checkbox"/> 技術上資料 / 指示 | <input type="checkbox"/> 報價 |
| <input type="checkbox"/> 配件 B.M. | <input type="checkbox"/> 樣辦或貨品說明書 | <input type="checkbox"/> 分判合約 |

內容：

由於廠方出貨標籤有誤，一件 GC07 沒有出貨，出了 GC02。請補出 GC07 一條。到地盤

謝謝

請在 2023.08.11 前完成上列要求。

分發東莞各部門：

- | | | | | | | | |
|---|---|---|---|--|---|--------------------------------|------------------------------|
| <input type="checkbox"/> 生產技術總監 | <input type="checkbox"/> 連附件 | <input type="checkbox"/> 技術部 | <input type="checkbox"/> 連附件 | <input type="checkbox"/> 生產部 | <input type="checkbox"/> 連附件 | <input type="checkbox"/> 機械設計部 | <input type="checkbox"/> 連附件 |
| <input type="checkbox"/> 採購部 | <input type="checkbox"/> 連附件 | <input checked="" type="checkbox"/> 生產統籌部 | <input checked="" type="checkbox"/> 連附件 | <input checked="" type="checkbox"/> 小羅&清 | <input checked="" type="checkbox"/> 連附件 | | |
| <input checked="" type="checkbox"/> 質檢部 | <input checked="" type="checkbox"/> 連附件 | <input type="checkbox"/> 會計部 | <input type="checkbox"/> 連附件 | <input type="checkbox"/> 報關組 | <input type="checkbox"/> 連附件 | <input type="checkbox"/> 其他 | <input type="checkbox"/> 連附件 |

分發香港各部門：

- | | | | | | | | | |
|------------------------------|------------------------------|-------------------------------|------------------------------|------------------------------|------------------------------|---|-----------|---|
| <input type="checkbox"/> 行政部 | <input type="checkbox"/> 連附件 | <input type="checkbox"/> 會計部 | <input type="checkbox"/> 連附件 | <input type="checkbox"/> 統籌部 | <input type="checkbox"/> 連附件 | <input checked="" type="checkbox"/> 工程部地盤科文 | <u>積哥</u> | <input checked="" type="checkbox"/> 連附件 |
| <input type="checkbox"/> 採購部 | <input type="checkbox"/> 連附件 | <input type="checkbox"/> QS 部 | <input type="checkbox"/> 連附件 | <input type="checkbox"/> 維修部 | <input type="checkbox"/> 連附件 | <input type="checkbox"/> 其他 | | <input type="checkbox"/> 連附件 |

傳遞編號：

HK 155 / 23

發件人簽署：

項目經理簽署：

T2 A 架 B.

192 m

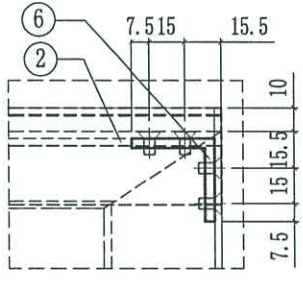
此包標的有線 - 1件 GC07 無出

出了 GC02.

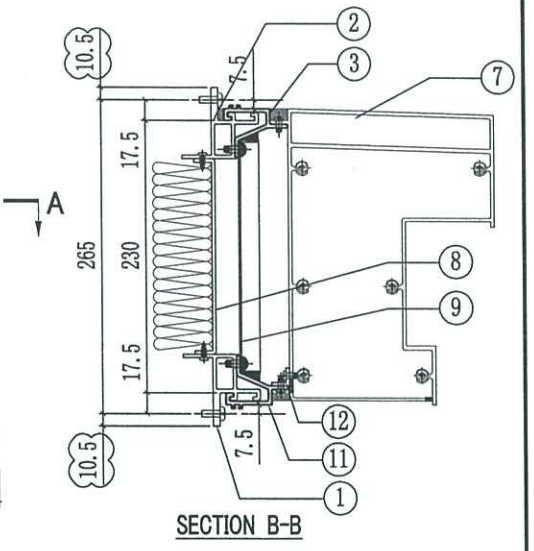
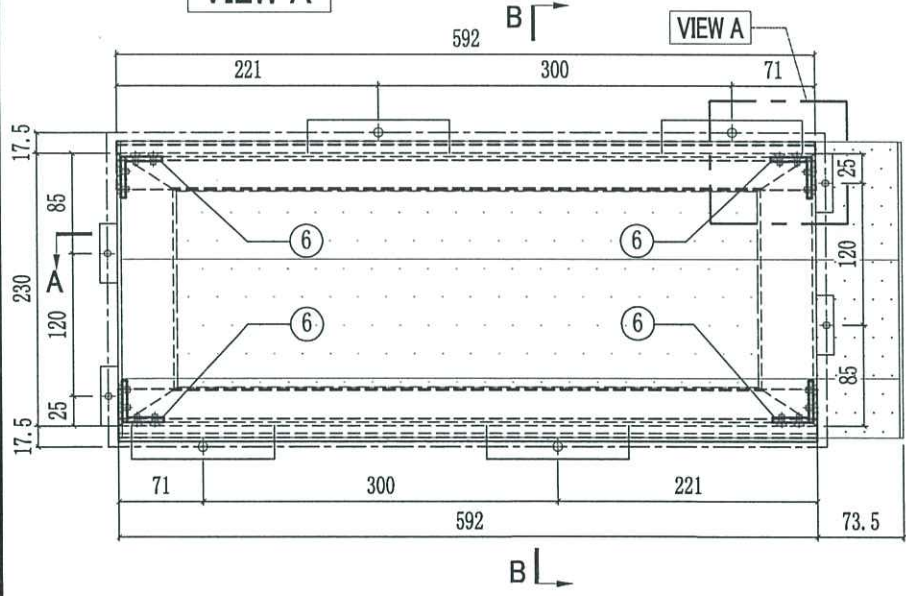
請向辦法 GC07 - 1條

 美特鋁質有限公司 MIDI Aluminium Fabricator Ltd.				工程號 J858	類別 制圖	物料號 -		
				地盘 康城11期	W. C. M	2022-06-21	圖號 GC-07	-
修改 日期	1 08/03/04	2 05/06/07	3 採用工廠 材料颜色	图纸名称 GLASS CLADDING组裝图	復核 -	-	數量 146	-
				材料 -	批准 -	-	單幅重量 -	(KG)

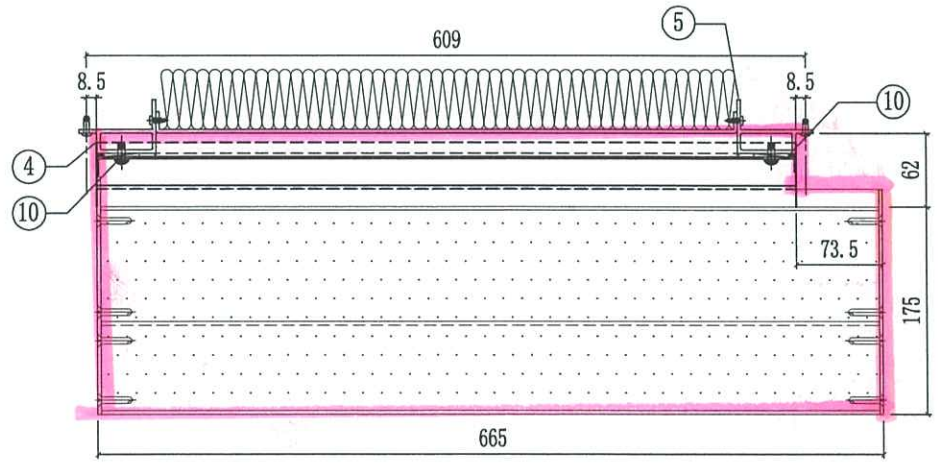
楼层	单层数量	总数	使用位置
9/F~11/F -12~39/F 40/F - 60/F	46层x1幅	46	T1A-CW2(44幅) T1A-CW2.1(2幅)
9/F~11/F -12~39/F 40/F - 65/F	50层x1幅	50	T2A-CW2(48幅) T2A-CW2.1(2幅)
9/F~11/F -12~39/F 40/F - 65/F	50层x1幅	50	T3A-CW2(48幅) T3A-CW2.1(2幅)



VIEW A



SECTION B-B



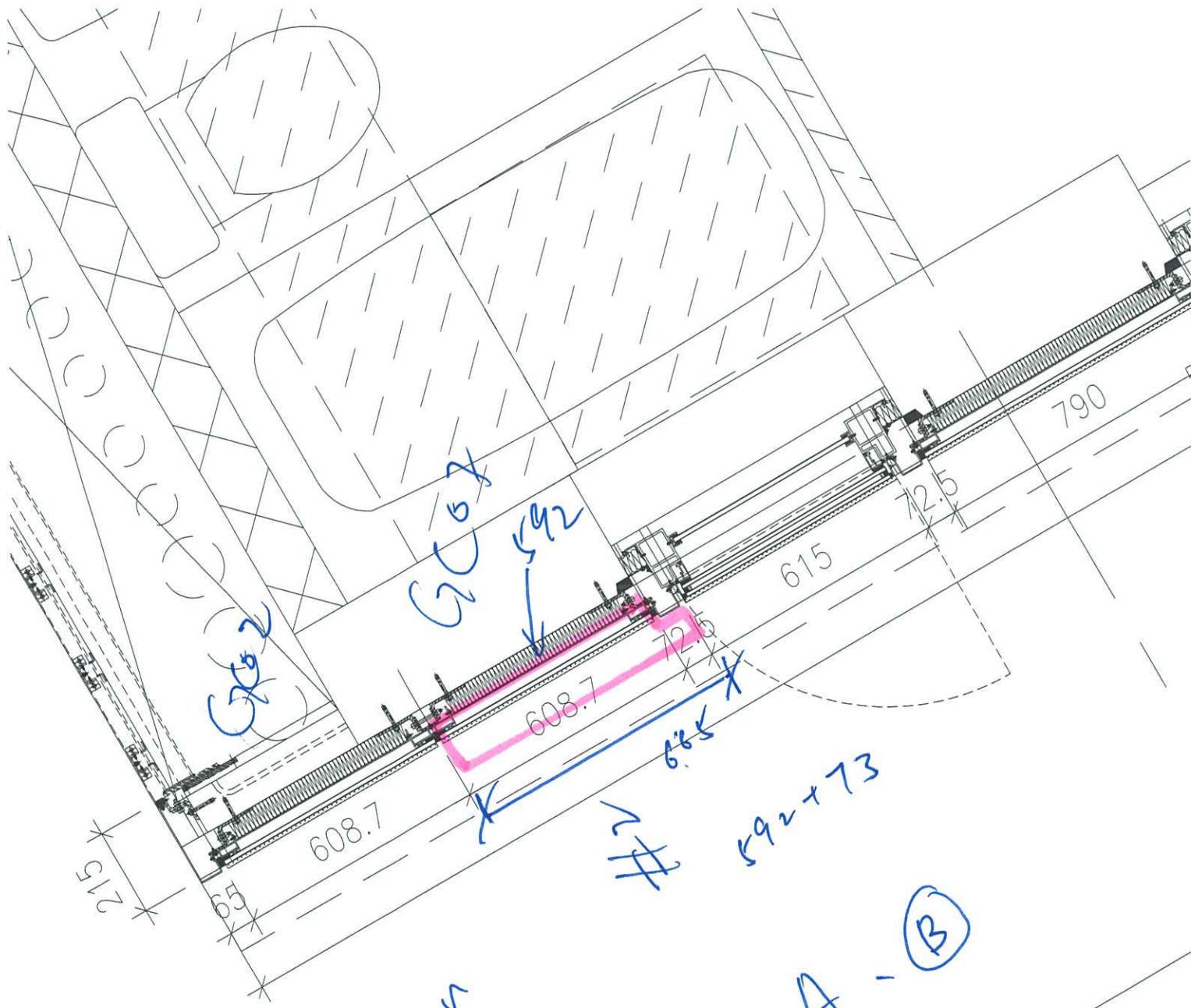
SECTION A-A

Handwritten blue note: 抽出一條

12	L065-G01-01	584	1
11	X86306-GC04-01	592	1
10	J858-GF01	166	2
9	J858-GP02-01	592x196.5	1
8	J858-GP01-02	492x165	1
7	X86307-01-02	659	1
6	J858-GA01	13	4
5	X86290-02R-1	230	1
4	X86290-02L-1	230	1
3	X86306-GC01-01	592	1
2	X86291-03-1	592	1
1	X86291-02-1	592	1
序号	部件编号	长度(mm)	数量

Handwritten blue note: Dn2 (with drawing icon)

Handwritten blue note: GC-07



plan

592 + 73

2A - (B)

3725



美特鋁質有限公司
MIDI Aluminium Fabricator Ltd.

工程號 J858
地盘 康城11期

類別 制圖
復核
批准

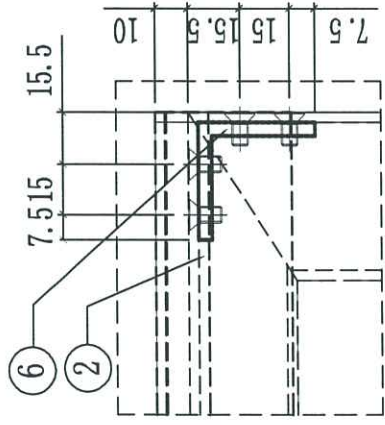
物料號
W.C.M
2022-06-21

圖號
數量
單幅重量
使用位置

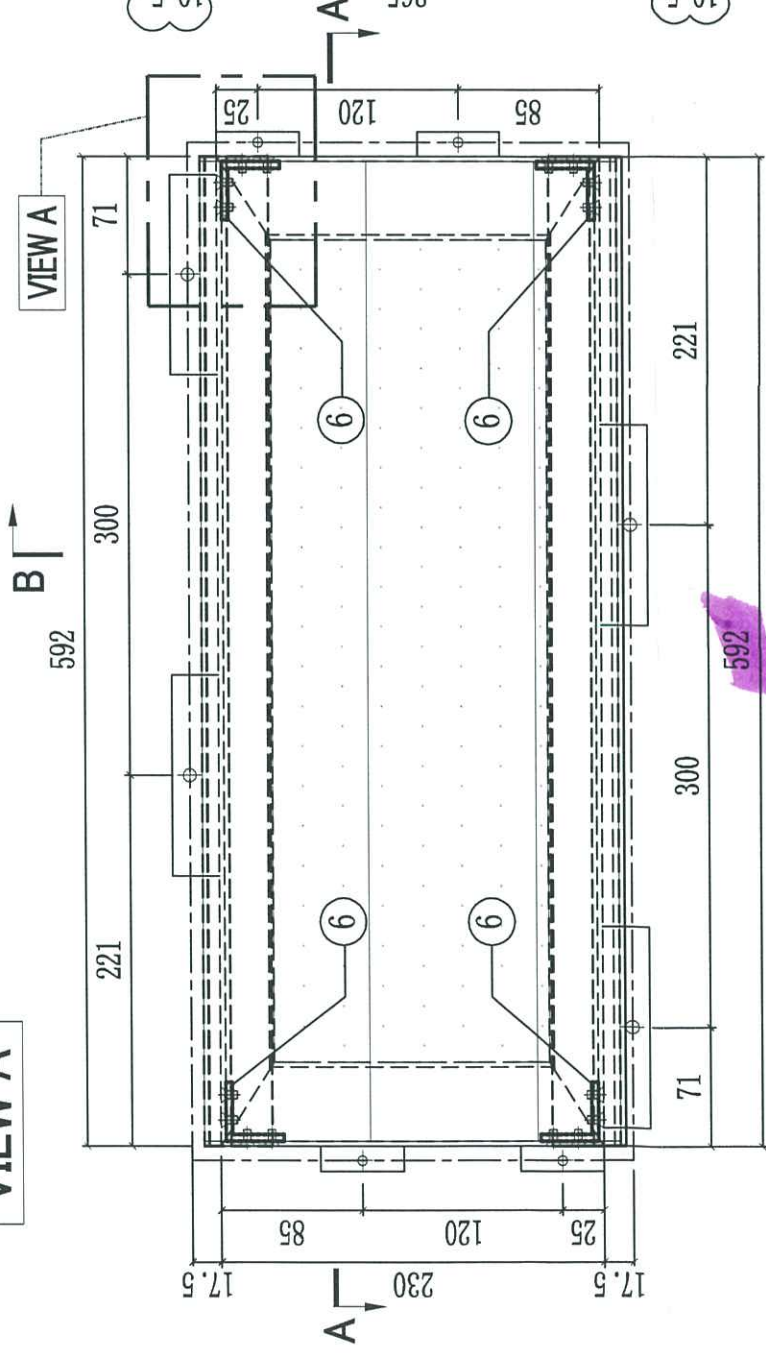
修改 1 2 3 採用工廠 ✓ 地盘 -
日期 08/03/04/05/06/07 材料颜色 -

圖號 GC-02
數量 146
單幅重量 -
使用位置 -

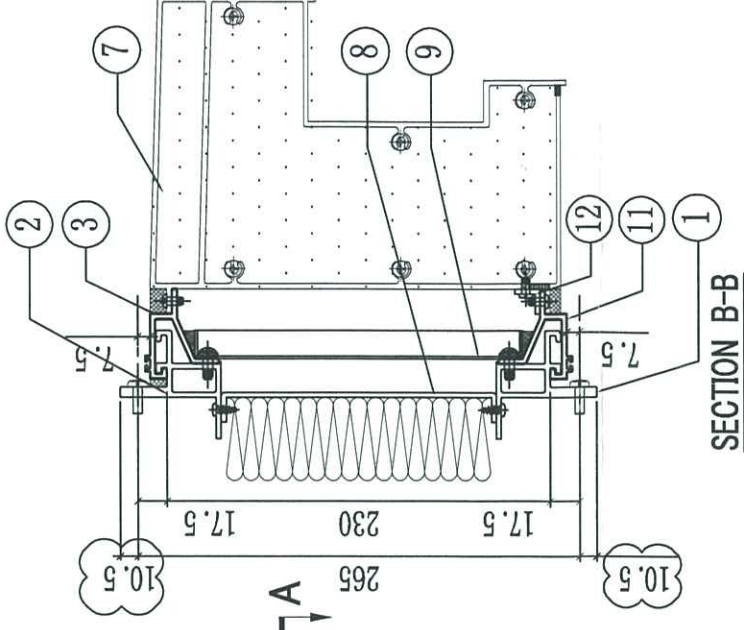
楼层	单层数量	总数	使用位置
9/F~11/F -12~39/F 40/F - 60/F	46层x1幅	46	T1A-CW2(44幅) T1A-CW2.1(2幅)
9/F~11/F -12~39/F 40/F - 65/F	50层x1幅	50	T2A-CW2(48幅) T2A-CW2.1(2幅)
9/F~11/F -12~39/F 40/F - 65/F	50层x1幅	50	T3A-CW2(48幅) T3A-CW2.1(2幅)



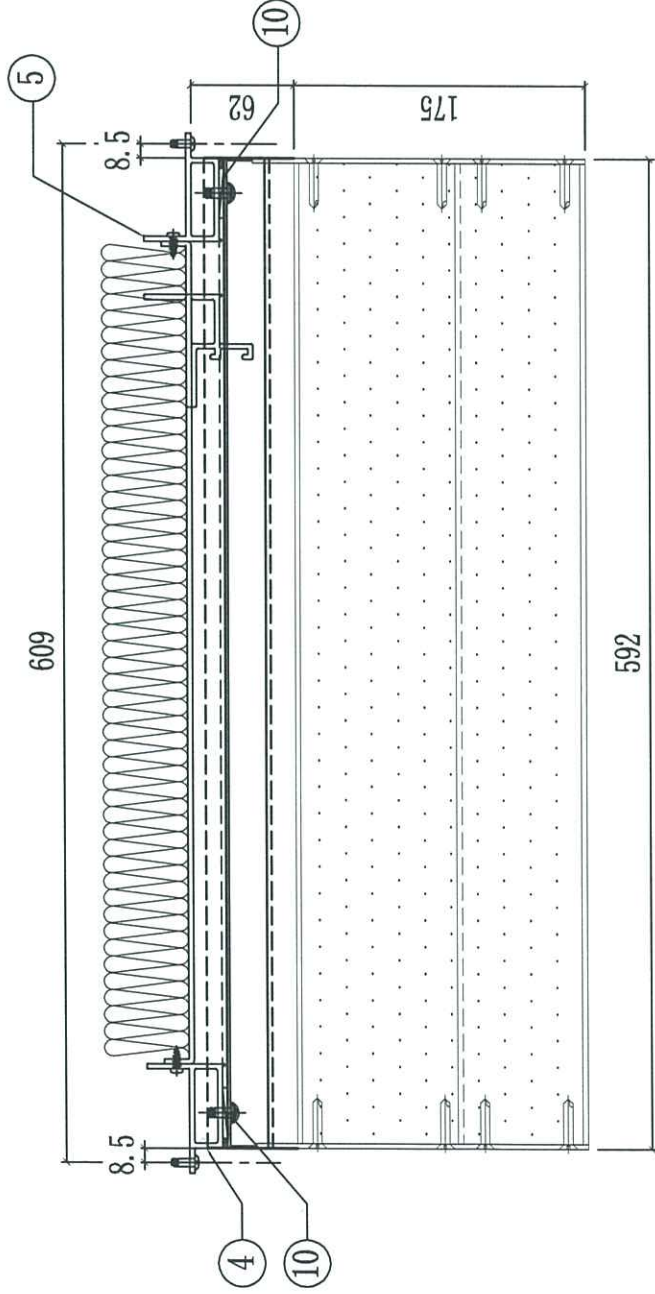
VIEW A



592
B



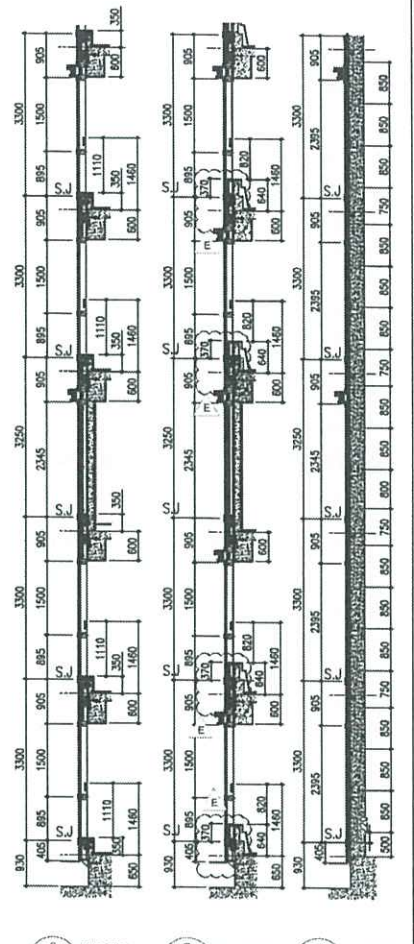
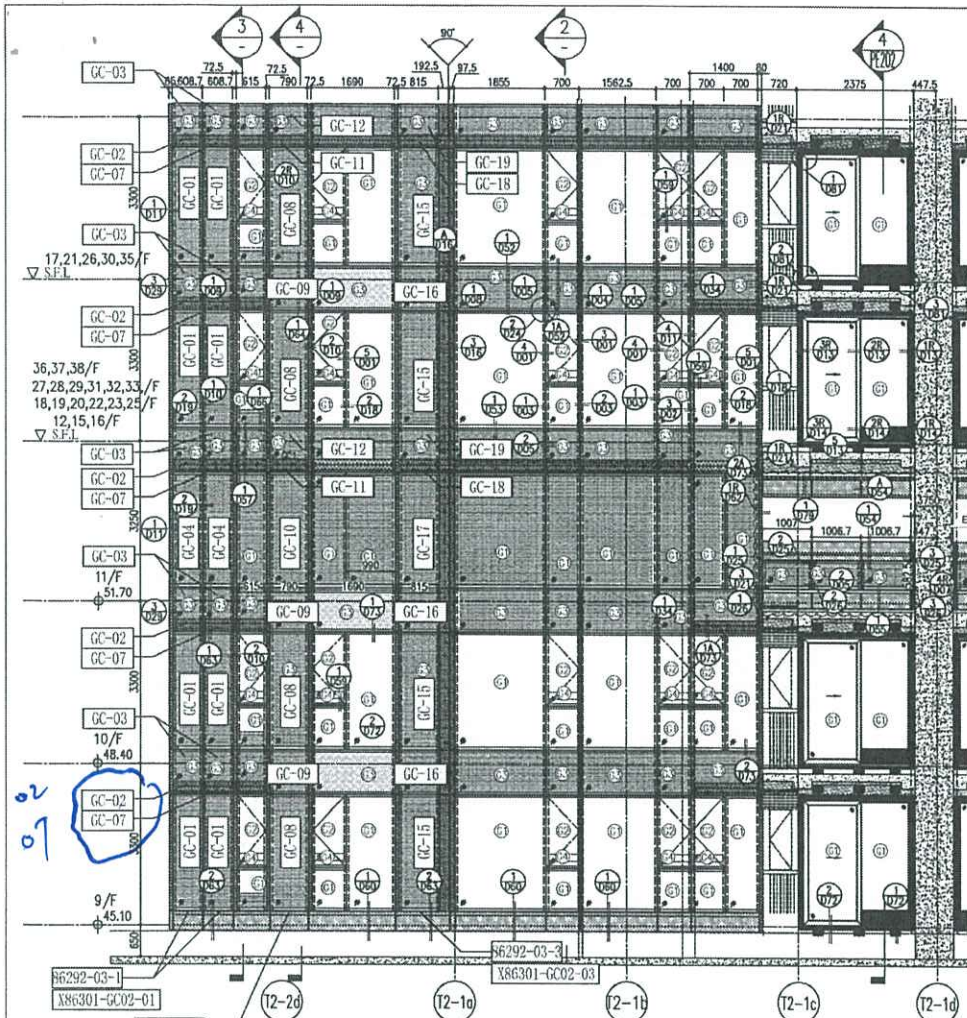
SECTION B-B



SECTION A-A

GC02

序号	部件编号	长度(mm)	数量
12	L065-G01-01	584	1
11	X86306-GC04-01	592	1
10	J858-GF01	166	2
9	J858-GP02-01	592x196.5	1
8	J858-GP01-02	492x165	1
7	X86307-01-01	586	1
6	J858-GA01	13	4
5	X86290-02R-1	230	1
4	X86290-02L-1	230	1
3	X86306-GC01-01	592	1
2	X86291-03-1	592	1
1	X86291-02-1	592	1



1 PART ELEVATION FOR CURTAIN WALL

2 SECTION 3 SECTION 4 SECTION

ARCH. FEATURE AT 9/F,10/F, 12/F,15/F-16/F, 18/F-20/F, 22/F,23/F, 25/F, 27/F-29/F, 31/F-33/F,36/F-38/F

ARCH. FEATURE AT 11/F,17/F, 21/F,26/F,30/F,35/F,

ARCH. FEATURE AT 9/F,10/F, 12/F,15/F-16/F, 18/F-20/F, 22/F,23/F, 25/F, 27/F-29/F, 31/F-33/F,36/F-38/F

ARCH. FEATURE AT 9/F,10/F, 12/F,15/F-16/F, 18/F-20/F, 22/F,23/F, 25/F, 27/F-29/F, 31/F-33/F,36/F-38/F

5 PART PLAN FOR CURTAIN WALL

6 PART PLAN (11/F) FOR CURTAIN WALL

R/F	+217.00	67/F	+213.50
26/F	+91.25	39/F	+130.85
25/F	+87.95	38/F	+127.55
23/F	+84.65	37/F	+124.25
22/F	+81.35	36/F	+120.95
21/F	+78.05	35/F	+117.65
20/F	+74.75	33/F	+114.35
19/F	+71.45	32/F	+111.05
18/F	+68.15	31/F	+107.75
17/F	+64.85	30/F	+104.45
16/F	+61.55	29/F	+101.15
15/F	+58.25	28/F	+97.85
12/F	+54.95	27/F	+94.55
		40/F	+134.15
		53/F	+173.70

- LEGEND:
- 10mm THK. HEAT STRENGTHENED GLASS (OUTSIDE) + 12mm AIR SPACE + 12mm THK. TEMPERED GLASS
 - 10mm THK. HEAT STRENGTHENED GLASS (OUTSIDE) + 12mm AIR SPACE + 10mm THK. TEMPERED GLASS
 - 12mm THK. HEAT STRENGTHENED GLASS
 - 12mm THK. CLEAR TEMPERED GLASS (INTERNAL PROTECTIVE BARRIER)
 - 10mm BLUED TINTED HEAT STRENGTHENED GLASS
 - 10mm CLEAR TEMPERED GLASS
 - 8mm THK. CLEAR HEAT-STRENGTHENED GLASS + 2mm PVB + 8mm THK. CLEAR HEAT STRENGTHENED GLASS
 - 3 mm THK. ALUM. CLADDING
 - 3 mm THK. ALUM. BACKFAN
 - S.J. - STACK JOINT

DATE: 20-OCT-21 SCALE: 1:50(A1)
 DRAWN BY: [Name]
 CHECKED BY: [Name]
 PROJECT: TROPICAL FLOOR PARTIAL ELEVATION & SECTION, PLAN FOR CURTAIN WALL (TOWER 2)
 PROJECT: PROPOSED RESIDENTIAL DEVELOPMENT AT TROPICAL PHASE 1, URBAN PARK TEBING KEMAN O. NT.
 URS NO.: J-858
 URS
 1. 1. FINISHED FLOOR LEVEL.
 2. S.F.L. - STRUCTURAL FLOOR LEVEL.
 3. - REVERSED DETAIL.
 LEGEND:
 1. DETAIL MARK NO.
 2. REFER SHEET NO.
 3. DIMENSIONS ARE IN mm.
 4. ALL DIMENSIONS ARE VIEWED FROM OUTSIDE UNLESS SPECIFIED OTHERWISE.
 5. ALL DIMENSIONS TO BE CHECKED ON SITE BEFORE FABRICATION.
 STRUCTURAL DRAWING:
 FLOOR CONSTRUCTION:
AECOM
Gammon
 PROJECT MANAGER:
AECOM
Gammon
 ARCHITECT:
 Ronald Liu & Partners (HK) Ltd.
 610 Chee Kwee Ling Road, Kowloon
 Tel: 24249271-4 Fax: (852) 27277066
 URS CONTRIBUTOR:
 怡和地產有限公司
 Sino Land Company Limited
 B.O. NO.:

NO.	DATE	REVISION
1	13/06/22	ISSUED AS FOR COMMENTS
2	16/06/22	REVISED AS FOR COMMENTS
3	12/07/22	REVISED AS FOR COMMENTS
4	12/07/22	REVISED AS FOR COMMENTS
5	12/07/22	REVISED AS FOR COMMENTS
6	12/07/22	REVISED AS FOR COMMENTS
7	12/07/22	REVISED AS FOR COMMENTS
8	12/07/22	REVISED AS FOR COMMENTS
9	12/07/22	REVISED AS FOR COMMENTS
10	12/07/22	REVISED AS FOR COMMENTS
11	12/07/22	REVISED AS FOR COMMENTS
12	12/07/22	REVISED AS FOR COMMENTS
13	12/07/22	REVISED AS FOR COMMENTS
14	12/07/22	REVISED AS FOR COMMENTS
15	12/07/22	REVISED AS FOR COMMENTS
16	12/07/22	REVISED AS FOR COMMENTS
17	12/07/22	REVISED AS FOR COMMENTS
18	12/07/22	REVISED AS FOR COMMENTS
19	12/07/22	REVISED AS FOR COMMENTS
20	12/07/22	REVISED AS FOR COMMENTS
21	12/07/22	REVISED AS FOR COMMENTS
22	12/07/22	REVISED AS FOR COMMENTS
23	12/07/22	REVISED AS FOR COMMENTS
24	12/07/22	REVISED AS FOR COMMENTS
25	12/07/22	REVISED AS FOR COMMENTS
26	12/07/22	REVISED AS FOR COMMENTS
27	12/07/22	REVISED AS FOR COMMENTS
28	12/07/22	REVISED AS FOR COMMENTS
29	12/07/22	REVISED AS FOR COMMENTS
30	12/07/22	REVISED AS FOR COMMENTS
31	12/07/22	REVISED AS FOR COMMENTS
32	12/07/22	REVISED AS FOR COMMENTS
33	12/07/22	REVISED AS FOR COMMENTS
34	12/07/22	REVISED AS FOR COMMENTS
35	12/07/22	REVISED AS FOR COMMENTS
36	12/07/22	REVISED AS FOR COMMENTS
37	12/07/22	REVISED AS FOR COMMENTS
38	12/07/22	REVISED AS FOR COMMENTS
39	12/07/22	REVISED AS FOR COMMENTS
40	12/07/22	REVISED AS FOR COMMENTS
41	12/07/22	REVISED AS FOR COMMENTS
42	12/07/22	REVISED AS FOR COMMENTS
43	12/07/22	REVISED AS FOR COMMENTS
44	12/07/22	REVISED AS FOR COMMENTS
45	12/07/22	REVISED AS FOR COMMENTS
46	12/07/22	REVISED AS FOR COMMENTS
47	12/07/22	REVISED AS FOR COMMENTS
48	12/07/22	REVISED AS FOR COMMENTS
49	12/07/22	REVISED AS FOR COMMENTS
50	12/07/22	REVISED AS FOR COMMENTS
51	12/07/22	REVISED AS FOR COMMENTS
52	12/07/22	REVISED AS FOR COMMENTS
53	12/07/22	REVISED AS FOR COMMENTS
54	12/07/22	REVISED AS FOR COMMENTS
55	12/07/22	REVISED AS FOR COMMENTS
56	12/07/22	REVISED AS FOR COMMENTS
57	12/07/22	REVISED AS FOR COMMENTS
58	12/07/22	REVISED AS FOR COMMENTS
59	12/07/22	REVISED AS FOR COMMENTS
60	12/07/22	REVISED AS FOR COMMENTS
61	12/07/22	REVISED AS FOR COMMENTS
62	12/07/22	REVISED AS FOR COMMENTS
63	12/07/22	REVISED AS FOR COMMENTS
64	12/07/22	REVISED AS FOR COMMENTS
65	12/07/22	REVISED AS FOR COMMENTS
66	12/07/22	REVISED AS FOR COMMENTS
67	12/07/22	REVISED AS FOR COMMENTS
68	12/07/22	REVISED AS FOR COMMENTS
69	12/07/22	REVISED AS FOR COMMENTS
70	12/07/22	REVISED AS FOR COMMENTS
71	12/07/22	REVISED AS FOR COMMENTS
72	12/07/22	REVISED AS FOR COMMENTS
73	12/07/22	REVISED AS FOR COMMENTS
74	12/07/22	REVISED AS FOR COMMENTS
75	12/07/22	REVISED AS FOR COMMENTS
76	12/07/22	REVISED AS FOR COMMENTS
77	12/07/22	REVISED AS FOR COMMENTS
78	12/07/22	REVISED AS FOR COMMENTS
79	12/07/22	REVISED AS FOR COMMENTS
80	12/07/22	REVISED AS FOR COMMENTS
81	12/07/22	REVISED AS FOR COMMENTS
82	12/07/22	REVISED AS FOR COMMENTS
83	12/07/22	REVISED AS FOR COMMENTS
84	12/07/22	REVISED AS FOR COMMENTS
85	12/07/22	REVISED AS FOR COMMENTS
86	12/07/22	REVISED AS FOR COMMENTS
87	12/07/22	REVISED AS FOR COMMENTS
88	12/07/22	REVISED AS FOR COMMENTS
89	12/07/22	REVISED AS FOR COMMENTS
90	12/07/22	REVISED AS FOR COMMENTS
91	12/07/22	REVISED AS FOR COMMENTS
92	12/07/22	REVISED AS FOR COMMENTS
93	12/07/22	REVISED AS FOR COMMENTS
94	12/07/22	REVISED AS FOR COMMENTS
95	12/07/22	REVISED AS FOR COMMENTS
96	12/07/22	REVISED AS FOR COMMENTS
97	12/07/22	REVISED AS FOR COMMENTS
98	12/07/22	REVISED AS FOR COMMENTS
99	12/07/22	REVISED AS FOR COMMENTS
100	12/07/22	REVISED AS FOR COMMENTS

REFUGEE FLOOR (TOWER 2)
 M.B.R. B.R.2 B.R.1
 TOWER 2(2A) FLAT
 LV.
 BAL. & U.P.
 R.C COVER
 T2A CW2 T2A CW2.1

Handwritten: T2A B