



工程指示 / 要求簡箋(E.I.)

工程指示編號：EI / 578 / 23

修改版次：

工程編號：J - 858

工程名稱：將軍澳日出康城 11

工程項目：幕牆 單元件 地盆顧問報告 3/2 ~ 22/2

收件人：生統 / 王良 / 水洪 / 發件人：Ant Yeung

日期：27/02/2023

要求提供 / 確認 事項：

- | | | |
|------------------------------------|-------------------------------------|-------------------------------|
| <input type="checkbox"/> 初步鋁料 B.M. | <input type="checkbox"/> 加工拆圖，然後生產 | <input type="checkbox"/> 尺寸表 |
| <input type="checkbox"/> 正式鋁料 B.M. | <input type="checkbox"/> 技術上資料 / 指示 | <input type="checkbox"/> 報價 |
| <input type="checkbox"/> 配件 B.M. | <input type="checkbox"/> 樣辦或貨品說明書 | <input type="checkbox"/> 分判合約 |

內容：

附上報地盆顧問報告

請跟進

留意

謝謝

請在 2023.-02 -27 前完成上列要求。

附：頁

原合約工程包

原合約工程加 / 減賬

新工程報價

分發東莞各部門：

- | | | | |
|---|---|--|--|
| <input type="checkbox"/> 生產技術總監 <input type="checkbox"/> 連附件 | <input type="checkbox"/> 技術部 <input type="checkbox"/> 連附件 | <input type="checkbox"/> 生產部 <input type="checkbox"/> 連附件 | <input type="checkbox"/> 機械設計部 <input type="checkbox"/> 連附件 |
| <input type="checkbox"/> 採購部 <input type="checkbox"/> 連附件 | <input checked="" type="checkbox"/> 生產統籌部 <input checked="" type="checkbox"/> 連附件 | <input checked="" type="checkbox"/> 小羅&清 <input checked="" type="checkbox"/> 連附件 | |
| <input checked="" type="checkbox"/> 質檢部 <input checked="" type="checkbox"/> 連附件 | <input type="checkbox"/> 會計部 <input type="checkbox"/> 連附件 | <input type="checkbox"/> 報關組 <input type="checkbox"/> 連附件 | <input checked="" type="checkbox"/> 其他 <u>水哥</u> <input checked="" type="checkbox"/> 連附件 |

分發香港各部門：

- | | | | | |
|---|--|---|--|----|
| <input type="checkbox"/> 行政部 <input type="checkbox"/> 連附件 | <input type="checkbox"/> 會計部 <input type="checkbox"/> 連附件 | <input type="checkbox"/> 統籌部 <input type="checkbox"/> 連附件 | <input type="checkbox"/> 工程部地盤科文 <input type="checkbox"/> 連附件 | 積哥 |
| <input type="checkbox"/> 採購部 <input type="checkbox"/> 連附件 | <input type="checkbox"/> QS 部 <input type="checkbox"/> 連附件 | <input type="checkbox"/> 維修部 <input type="checkbox"/> 連附件 | <input type="checkbox"/> 其他 _____ <input type="checkbox"/> 連附件 | |

傳遞編號：

HK 325 / 23

發件人簽署：

項目經理簽署：

	Date	Time	有落memo (Aecom)	Aecom memo /report / Email Only	已覆日子
1	2023/02/03	900	沒有	Email Only	2023-02-17, 不用交相
2	2023/02/03	1700	沒有	Email Only	
3	2023/02/08	1700	沒有	Email Only	2023-02-17, 20230225 已交相
4	2023/02/08	1800	沒有	有出 PMU Report 44頁	
5	2023/02/09	1800	有	AECOM/FA/SM001	2023-02-17, 20230225 已交相
6	2023/02/10	1700	沒有	有出 PMU Report 9頁	
7	2023/02/13	1300	沒有	有出 廠Report	record only , no comment
8	2023/02/13	1700	有	AECOM/FA/SM002	2023-02-17, 20230225 已交相
9	2023/02/14	1800	有	AECOM/FA/SM005	2023-02-17, 20230225 已交相
10	2023/02/16	1700	有	AECOM/FA/SM009	2023-02-17, 20230225 已交相
11	2023/02/17	1600	有	AECOM/FA/SM011	
12	2023/02/20	1700	有	AECOM/FA/SM012	
13	2023/02/21	1700	有	AECOM/FA/SM014	
14	2023/02/22	1800	有	AECOM/FA/SM016	
15					
16					
17					
18					

From: "Zhang, Mckay" <Mckay.Zhang@aecom.com>
 To: "j858@midiltd.com.hk" <j858@midiltd.com.hk>,
 "ant.y.sy.midi@gmail.com"
 <ant.y.sy.midi@gmail.com>,
 "jason.lcs.midi@gmail.com"
 <jason.lcs.midi@gmail.com>,
 "bernard.lhf.midi@gmail.com"
 <bernard.lhf.midi@gmail.com>

Copies to: "Jun.Tsui@gammonconstruction.com" <Jun.Tsui@gammonconstruction.com>,
 "Brian.Ng@gammonconstruction.com" <Brian.Ng@gammonconstruction.com>,
 "j3931@gammonconstruction.com" <j3931@gammonconstruction.com>,
 "KaHei.Wong@gammonconstruction.com" <KaHei.Wong@gammonconstruction.com>,
 "Woody.Wong@gammonconstruction.com" <Woody.Wong@gammonconstruction.com>,
 "Donny.Lo@gammonconstruction.com" <Donny.Lo@gammonconstruction.com>,
 "Terry.KT.Leung@gammonconstruction.com"
 <Terry.KT.Leung@gammonconstruction.com>,
 "Edward.Chiang@gammonconstruction.com"
 <Edward.Chiang@gammonconstruction.com>,
 "Eunice.Tang@gammonconstruction.com"
 <Eunice.Tang@gammonconstruction.com>,
 "P19084@rlp.asia" <P19084@rlp.asia>,
 "marinatong@rlp.asia" <marinatong@rlp.asia>,
 "ginnychau@rlp.asia"
 <ginnychau@rlp.asia>,
 "wallaceng@rlp.asia" <wallaceng@rlp.asia>,
 "rss19084mw@rlphk.com" <rss19084mw@rlphk.com>,
 "andywchan@sino.com"
 <andywchan@sino.com>,
 "terrywan@sino.com" <terrywan@sino.com>,
 "simonspleung@sino.com" <simonspleung@sino.com>,
 "kennethleung@sino.com"
 <kennethleung@sino.com>,
 "stephenchow@sino.com" <stephenchow@sino.com>,
 "Ko, Ryan" <Ryan.Ko@aecom.com>, "Lau, Daisy" <Daisy.Lau@aecom.com>,
 "Wong,
 Crystal" <crystal.wong@aecom.com>,
 "Tso, Simon" <Simon.Tso@aecom.com>

Subject: LP11 - CW - unit installation issue
 Date sent: Fri, 3 Feb 2023 09:58:11 +0000

①

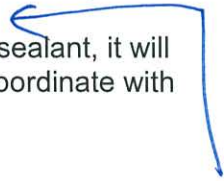
3/2

3/2

Dear Jason,

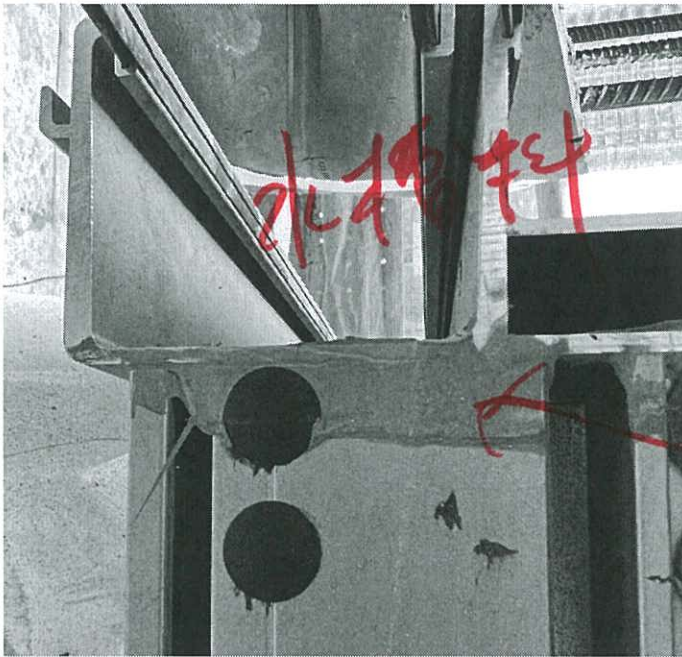
Please find following finding and issue for follow up and coordination with factory:

1. It was observed that the backpan fixing angle will block the unit installation work, please refer to attachment and provide the modification method at factory for it.
2. It was observed the transom with mullion joint was applied with excessive sealant, it will lead to new installed pane cannot descend due to these sealant. Please coordinate with factory assemble work to avoid/remove excessive sealant.

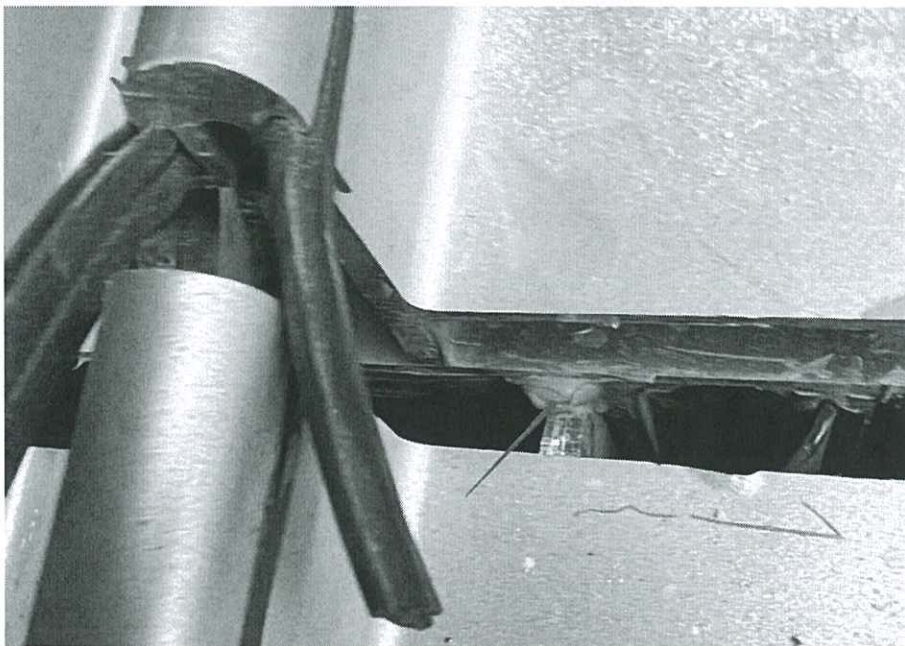


② 已通知廠作改善

① (已通知廠, 本地區前, 廠改好擋板)



✘ *
做
膠不用太多



Thank you!

Regards,
McKay Zhang MSc B.Eng(AE) MSFE(CIBSE)

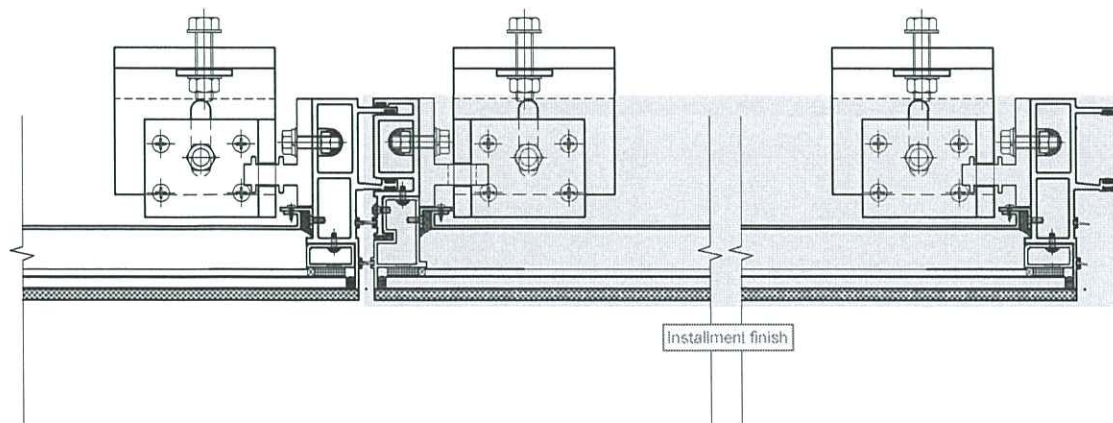
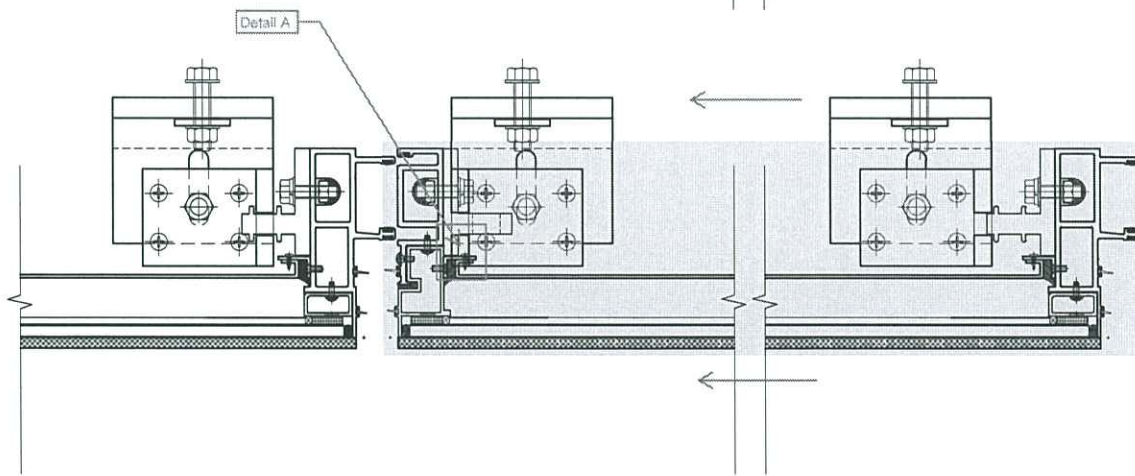
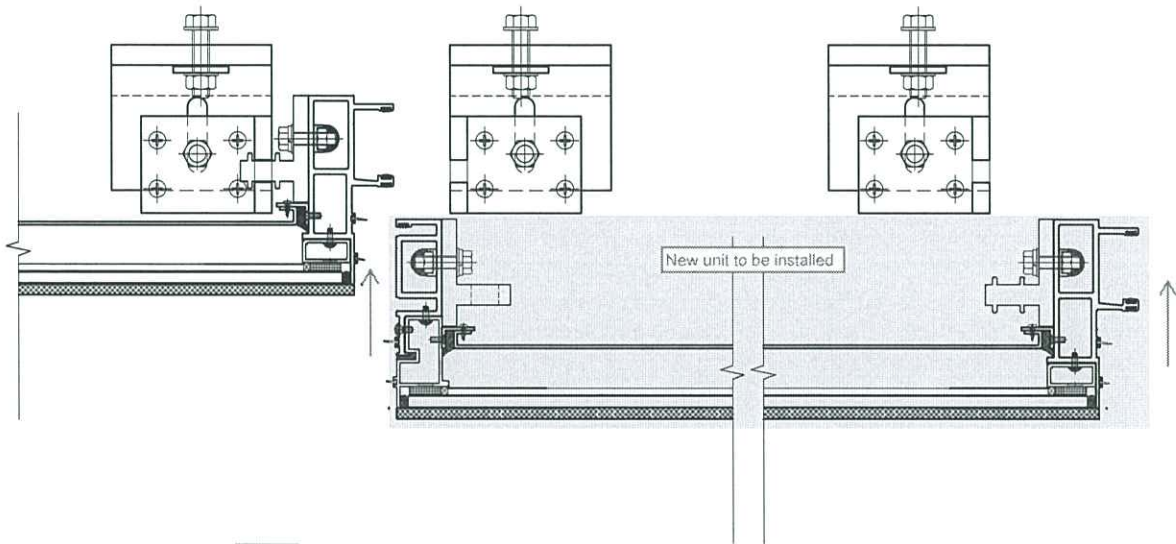
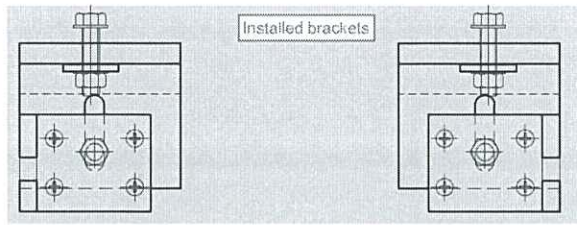
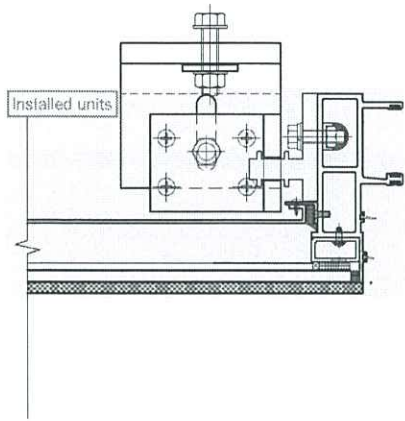
Project Engineer, Building Engineering (Fa?ade), HK
mckay.zhang@aecom.com

AECOM
20/F Grand Central Plaza, Tower 2,
138 Shatin Rural Committee Road, Shatin
Hong Kong,
T +852 39229734

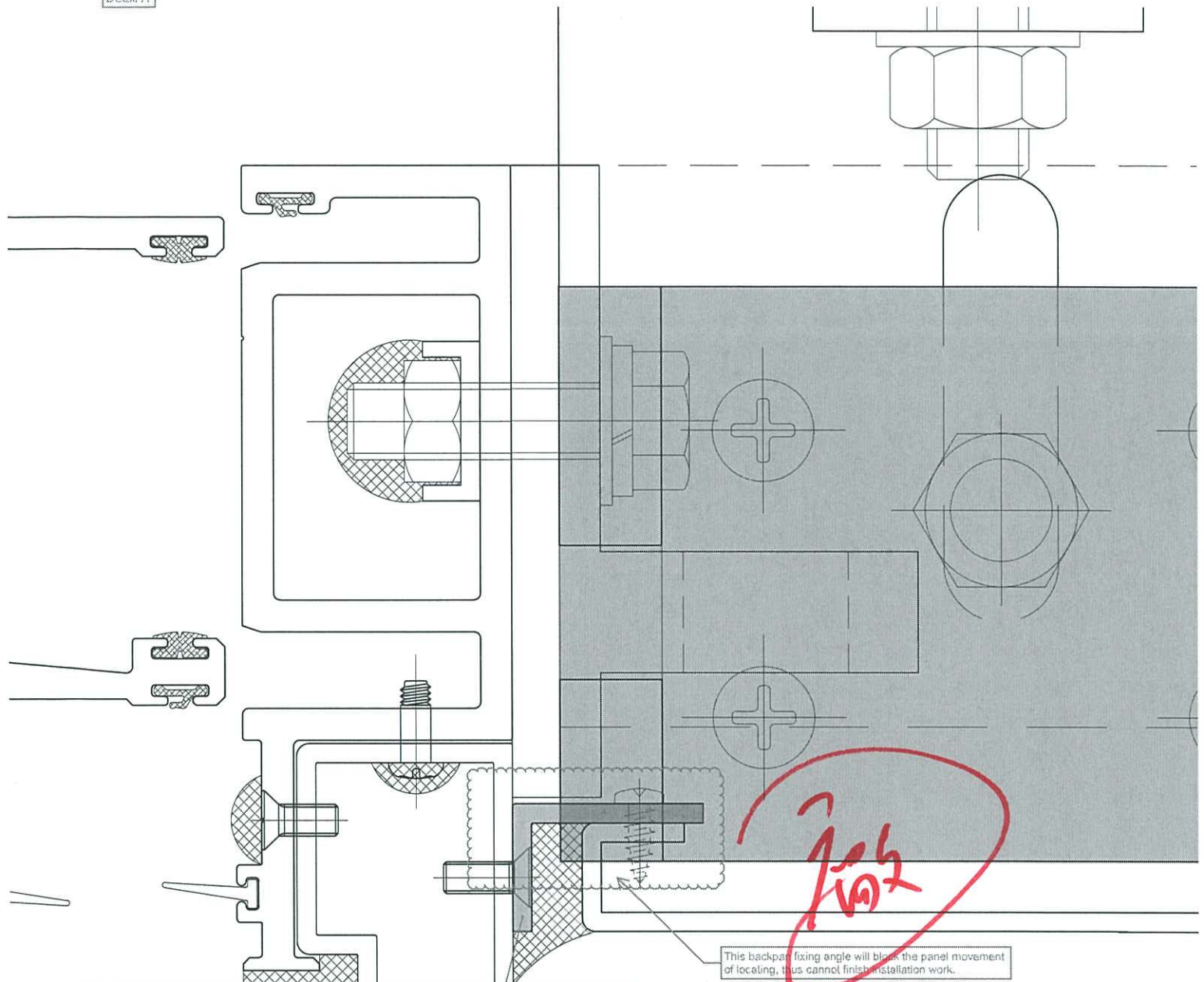
aecom.com

Delivering a better world

[微信WeChat](#) | [LinkedIn](#) | [Twitter](#) | [Facebook](#) | [Instagram](#)



Detail A



* 10/12

改

改



**Proposed Residential Development at TKOTL 70RP, Phase 11, Lohas Park,
Tseung Kwan O, N.T., Site C2**

Site Memorandum

Date: 16th February 2023
To: GECCL – Mr. Matthew Wong
From: Mr. McKay Zhang (AECOM – Project Engineer)
Ref. No.: AECOM/FA/SM009
Project: Façade Contract for Proposed Residential Development at TKOTL 70RP, Phase 11, Lohas Park, Tseung Kwan O, N.T., Site C2

16/2 (10)

Subject: Site observation for New Arrived Curtain Wall Units for 11/F BD of T1

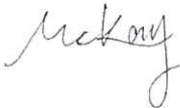
Distribution:	Sino	- Mr. Herbert Thung / Mr. Kenneth Leung / Mr. Francis Lai / Ms. PH Chan / Mr. Andy Chan / Mr. Vincent Ngai/ Mr. CP Lai / Mr. Simon Leung	(By Email)
	MTRC	- Mr. Jacky Cheung / Mr. Tony Fan / Mr. Max Cheung	(By Email)
	RLP	- Mr. Kenneth Wong / Ms. Florence Cheung / Ms. Ginny Chau / Marvin Wong	(By Email)
	AECOM(RE)	- Mr. Henry Lo / Mr. Cole Li / Mr. Simon Tso	(By Email)
	AECOM(FA)	- Ms. Wong, Wan Sie Winxie / Mr. Ko, Ryan	(By Email)
	WSP (R&S)	- Mr. Chris Tong / Mr. Pun Lai Yin / Mr. Louis Siu	(By Email)
	Beria	- Ms. May Chung / Mr. Alex Kui / Ms. Amber Lam	(By Email)

According to the routinely inspection on 16th February 2023, we observed below issues for Gammon following up. Please find attached photos for your reference and action.

1. Poor workmanship was observed on new arrived curtain wall units for 11/F BD of T1, please refer to photos for details.

In this connection, would Gammon please closely coordinate and monitor relevant contractors to rectify above defects and invite OSR for inspection.

Yours sincerely,



McKay Zhang
Project Engineer

Encl. (1+3)

This memo shall not constitute an additional cost and time variation. If any additional cost and time implication arises from this memo, please inform the issuer in writing within three days after receipt of this memo. No claim shall be entertained as a result thereafter.

Photo 1

Description:
The gasket cover for this construction hole was observed to be missed.

Handwritten signature in red ink, circled in red.



Photo 2

Description:
This transom joint head was observed to be applied with excessive sealant which may affect the unit installation.

Midi: 廠唧膠量減少，避免有機會影響安裝。

Handwritten signature in red ink, circled in red.

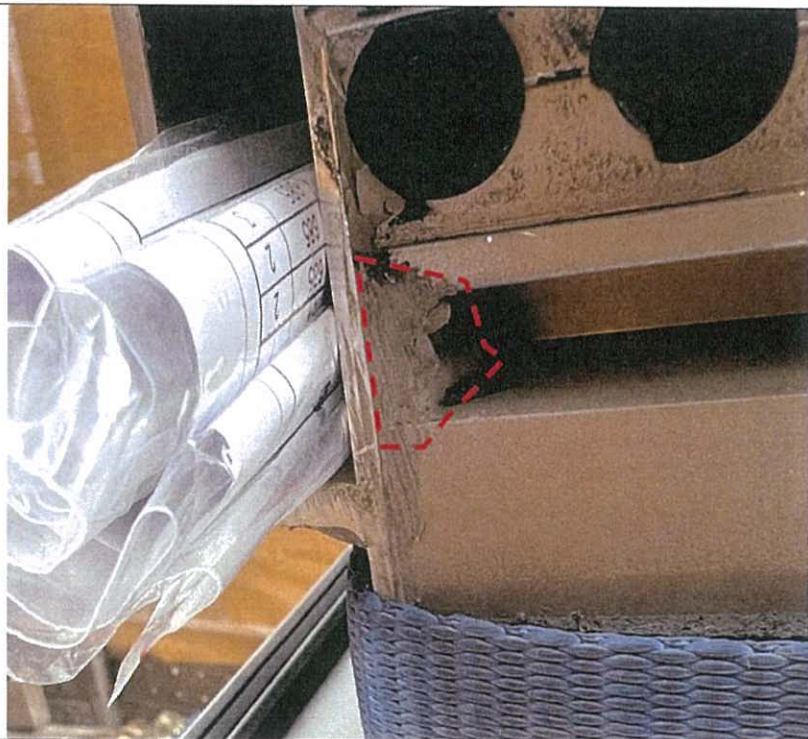


Photo 3

Description:

One gasket on transom was observed to be short and needs to be replaced.

Midi: 膠條受損，更換膠條。



✱

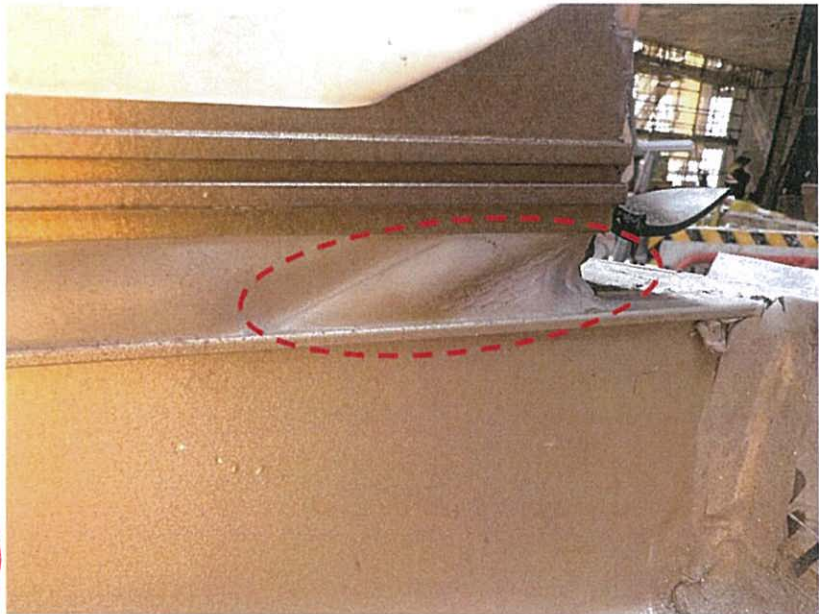
做 膠條

Photo 4

Description:

Poor applied sealant was observed at the joint position between transom and alum. cladding.

Midi: 已通知廠改善手工。



做

* 係咁樣做膠手工

Photo 5

Description:

The end plate for cladding feature was observed with poor workmanship.

Midi:通知廠改善飾線封口片手工。

3



廠 封口片 (大飾線)
啱膠手工

**Proposed Residential Development at TKOTL 70RP, Phase 11, Lohas Park,
Tseung Kwan O, N.T., Site C2**

Site Memorandum

(13)

Date: 21st February 2023
To: GECCL – Mr. Matthew Wong
From: Mr. McKay Zhang (AECOM – Project Engineer)
Ref. No.: AECOM/FA/SM014
Project: Façade Contract for Proposed Residential Development at TKOTL 70RP, Phase 11, Lohas Park, Tseung Kwan O, N.T., Site C2

Subject: **Site Observation for Issues on Unit Panel Installation at 12/F BD of T1**

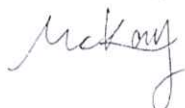
Distribution:	Sino	- Mr. Herbert Thung / Mr. Kenneth Leung / Mr. Francis Lai / Ms. PH Chan / Mr. Andy Chan / Mr. Vincent Ngai/ Mr. CP Lai / Mr. Simon Leung	(By Email)
	MTRC	- Mr. Jacky Cheung / Mr. Tony Fan / Mr. Max Cheung	(By Email)
	RLP	- Mr. Kenneth Wong / Ms. Florence Cheung / Ms. Ginny Chau / Marvin Wong	(By Email)
	AECOM(RE)	- Mr. Henry Lo / Mr. Cole Li / Mr. Simon Tso	(By Email)
	AECOM(FA)	- Ms. Wong, Wan Sie Winxie / Mr. Ko, Ryan	(By Email)
	WSP (R&S)	- Mr. Chris Tong / Mr. Pun Lai Yin / Mr. Louis Siu	(By Email)
	Beria	- Ms. May Chung / Mr. Alex Kui / Ms. Amber Lam	(By Email)

According to the routinely inspection on 21st February 2023, we observed below issues for Gammon following up. Please find attached photos for your reference and action.

1. The RC curb at BD 12/F of T1 was observed to be cracked with notches which will affect the construction of waterproofing, please provide rectification for this defect.
2. We observed that many of the delivered panels need for modification on its components before smoothly installation, please coordinate with factory to improve its precision and applicability of the unit panels with properly protection.

In this connection, would Gammon please closely coordinate and monitor relevant contractors to rectify above defects and invite OSR for inspection.

Yours sincerely,



McKay Zhang
Project Engineer

Encl. (1+4)

This memo shall not constitute an additional cost and time variation. If any additional cost and time implication arises from this memo, please inform the issuer in writing within three days after receipt of this memo. No claim shall be entertained as a result thereafter.

Photo 1

Description:

The RC curb at BD 12/F of T1 was observed to be cracked with notches which will affect the construction of waterproofing, please provide rectification for this defect.

Midi: 已通知大判處理。



~~BD 12 廚房~~

Photo 2

Description:

The anti-torsion bracket at corner mullion was observed to be not properly installed (tilted), which will affect the installation work. Please factory carry out QA/QC to improve the precision of fabrication.

Midi: 已通知廠對準。



4/24
4/25 27N
轉向互扣

Photo 3

Description:

Part of the thermal insulation was observed to be cut off due to room limited during installation. This happened several times and please MIDI coordinates with factory for optimization of unit material fabrication size.



~~#13 1/2 4/2~~

Photo 4

Description:

Part of the thermal insulation was observed to be cut off due to room limited during installation. This happened several times and please MIDI coordinates with factory for optimization of unit material fabrication size.

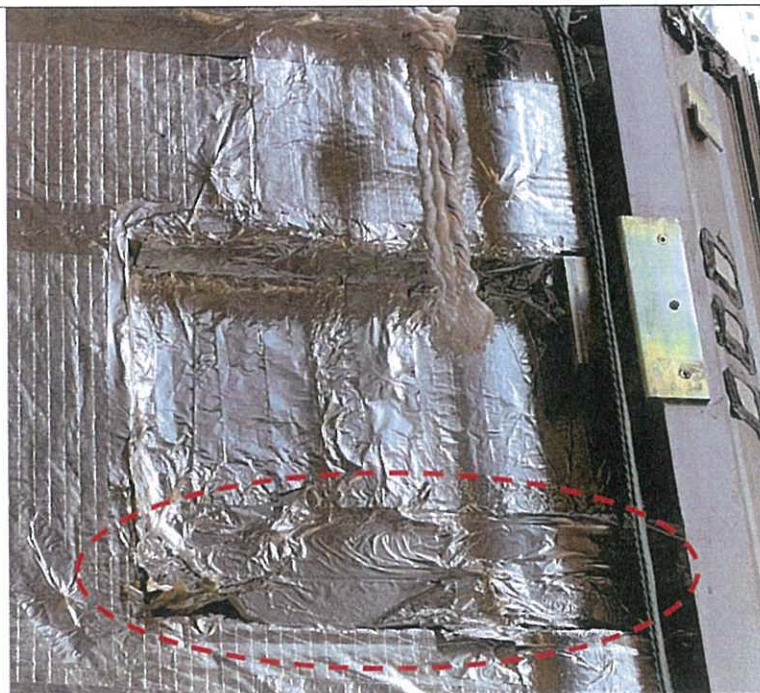


Photo 5

Description:

The unit panel was observed to be without any tie back protection during lifting, this is not safety and please coordinate with onsite fitters for improvement.

Midi: 已通知安全代表注意。



Photo 6

Description:

The end plate on the unit panel was observed to be deformed. Please revise this and improve the protection during delivery.

Midi: 已通知執修 end dam。



~~A 14 End Dam~~

Photo 7

Description:

Sealant crack was observed due to end plate deformed. Please revise this and improve the protection during delivery.

Midi: 已補膠。



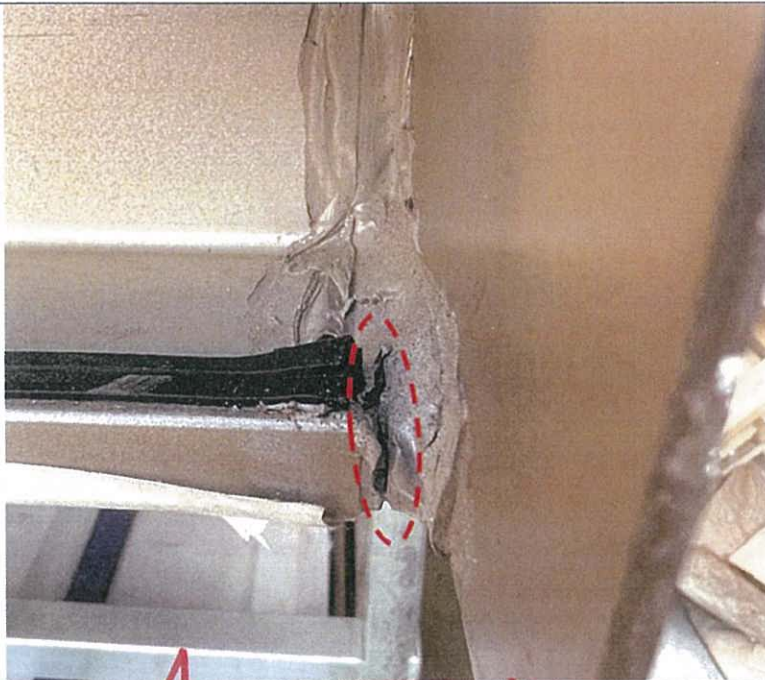
~~A-15 End Dam~~

Photo 8

Description:

Sealant crack was observed due to end plate deformed. Please revise this and improve the protection during delivery.

Midi: 已補膠。



~~A-15 End Dam~~