

工程指示 / 要求簡箋(E.I.)

工程指示編號：EI / 5729 / 23

修改版次：

工程編號：J - 858

工程名稱：將軍澳日出康城 11

工程項目：幕牆 地盆用鋁板 轉角企加鋁摺件 T1 9/F 做樣板

Ant Yeung

收件人：生統

發件人：Ant Yeung

日期：16/02/2023

要求提供 / 確認 事項：

- () 初步鋁料 B.M. () 加工拆圖，然後生產 () 尺寸表
- () 正式鋁料 B.M. () 技術上資料 / 指示 () 報價
- () 配件 B.M. () 樣辦或貨品說明書 () 分判合約

內容：

按業主要求，生產摺鋁板 送地盆供幕牆轉角位用 T1 9/F 做 2 層樣板。

深銅色 ECD3XW04976XF-1 * (留意色油要配，請使用興發鋁料配色)

A 款	69.5x24x1.5mm	深銅色 ECD3XW04976XF-1
B 款	69.5x66x1.5mm	深銅色 ECD3XW04976XF-1
C 款	18x12x3mm	12 件 Mill 謝謝

請在 2023.03.03 前完成上列要求。

附：1 頁

以上項目為：

- 原合約工程包 原合約工程加 / 減賬 新工程報價

原因：-

分發東莞各部門：

- () 生產技術總監 連附件 () 技術部 連附件 () 生產部 連附件 () 機械設計部 連附件
- () 採購部 連附件 () 生產統籌部 連附件 () 小羅 & 清 連附件
- () 質檢部 連附件 () 會計部 連附件 () 報關組 連附件 () 其他 _____ 連附件

分發其他分判：

- () 濱 連附件

分發香港各部門：

- () 行政部 連附件 () 會計部 連附件 () 統籌部 連附件 () 工程部地盤科文 積哥 連附件
- () 採購部 連附件 () QS 部 連附件 () 維修部 連附件 () 其他 _____ 連附件

傳遞編號：

發件人簽署：*Ant Yeung*

HK / 23

項目經理簽署：*[Signature]*

廠

			Submission		Sample	Code	上廠	上廠跟E1
4	鋁板	背板	Colour Sample for backpan	香檳金	Silver champagne	(ECD3X10099S-JF2)	1 set	
5	鋁料	主色	Alum. Extrusion Colour Sample	香檳金	Silver champagne	(ECD3X10099S-XF1)	2 set	
6	鋁料	幕牆	Alum. Extrusion Colour Sample	玫瑰金	Rose Gold	(ECD3X10100S-XF1)	2 set	
7	鋁料	幕牆	Alum. Extrusion Colour Sample	深銅	Dark Copper	(ECD3W04976S-XFD)	2 set	
8	玻璃	IGU	幕牆	58T IGU	10(58T)+12+12mm (IGU)		1 set	
9	玻璃	IGU	幕牆	58T IGU	10(58T)+12+10mm (IGU)		1 set	
10	玻璃	單片	幕牆	清片	12mm CT		欠 1set	
11	玻璃	幕牆/GC	Glass Sample of Curtain Wall	反光	12mm Reflective Glass (60T)		欠 1set	
12	玻璃	幕牆	Glass Sample for Curtain Wall	反光IGU	10(60T)+12+12mm (IGU)		1 set	
4	鋁板	封簾片	封簾片，不會上板	玫瑰金	Rose Gold		不上板	按E1 4661

玫瑰金

深銅

清片

幕牆

幕牆

兴发铝材
XINGFA ALUMINUM MATERIALS

兴发铝材	8118	1/2
------	------	-----

Handwritten notes and labels on the side of the box, including a small 'CF' logo.

兴发铝材
XINGFA ALUMINUM MATERIALS

兴发铝材	8118	1/2
------	------	-----

Handwritten notes and labels on the side of the box, including a small 'CF' logo.

广东海控特种玻璃技术有限公司
Guangdong Haikong Special Glass Technology Co., Ltd.

HKT



SGT

让梦想变为现实
REALIZE ARCHITECTURE AMBITION

Handwritten '1/2' and '8118' on the side of the box.

广东海控特种玻璃技术有限公司
Guangdong Haikong Special Glass Technology Co., Ltd.

HKT

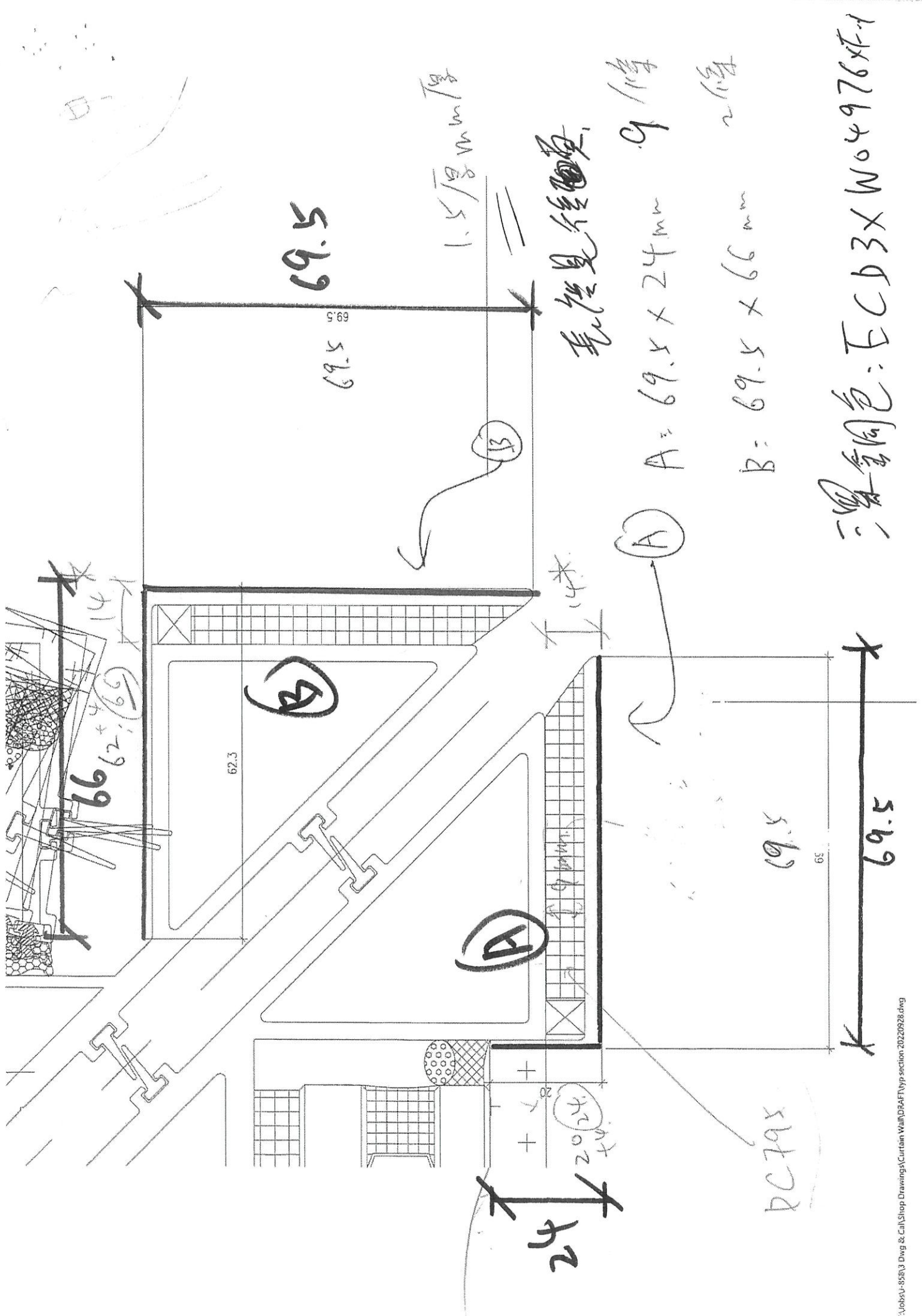


SGT

让梦想变为现实
REALIZE ARCHITECTURE AMBITION

Handwritten '1/2' and '8118' on the side of the box.





69.5

69.5

1.5 / 8mm / 1.5

无框是行框

9 / 1.5

2 / 1.5

A = 69.5 x 24mm

B = 69.5 x 66mm

三色金同色: EC B3X W04976XF-Y

24

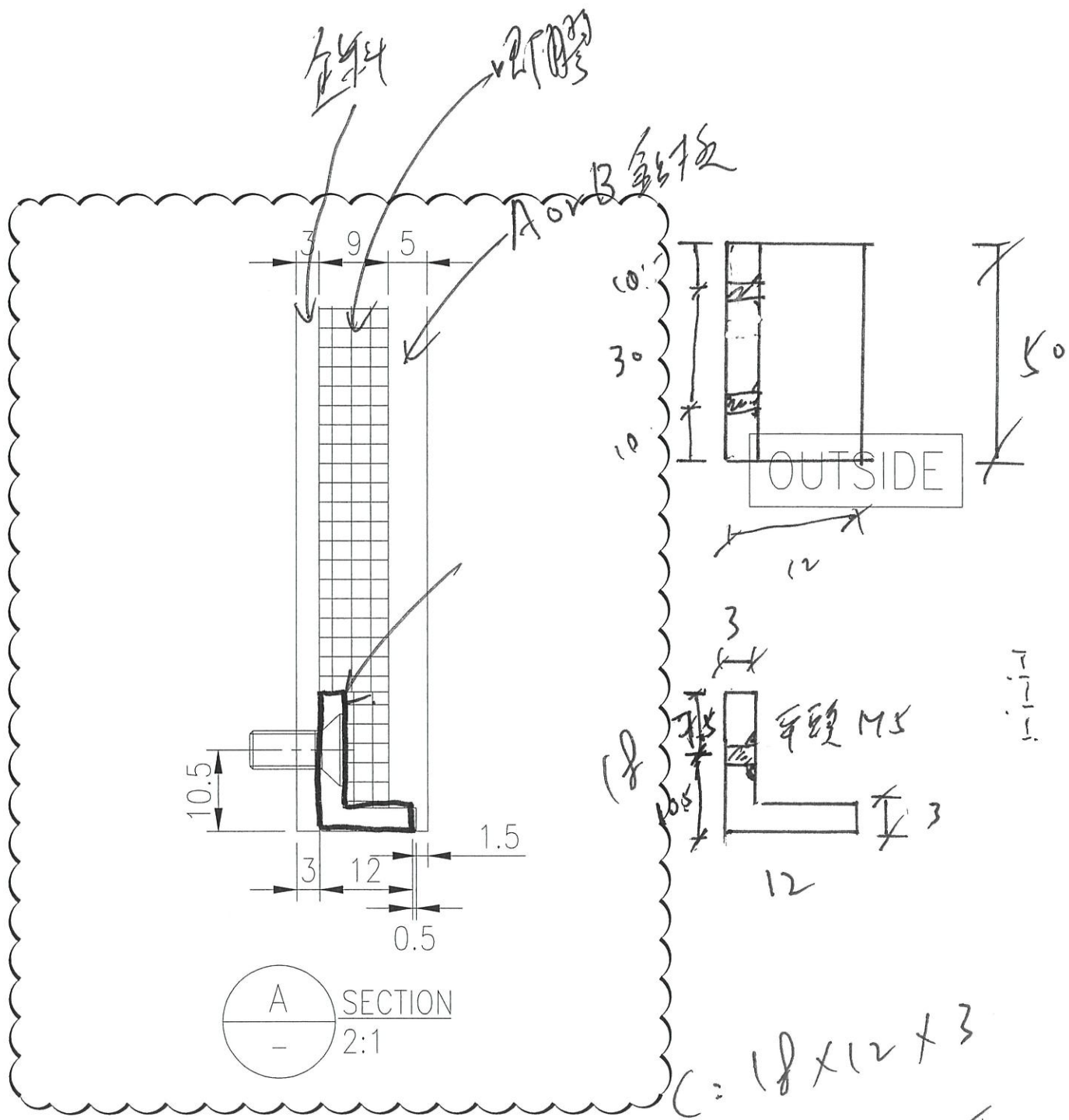
RC79x

69.5

639

69.5

	A			B	
				生窗位	
	69.5x24x1.5mm厚			69.5x66x1.5mm厚	
	L(mm)	條		L(mm)	條
死牆	885	4	生窗位	1485	2
大梗	2375	2			
生下梗	875	2			
(後備)	2400	1			
		9			2

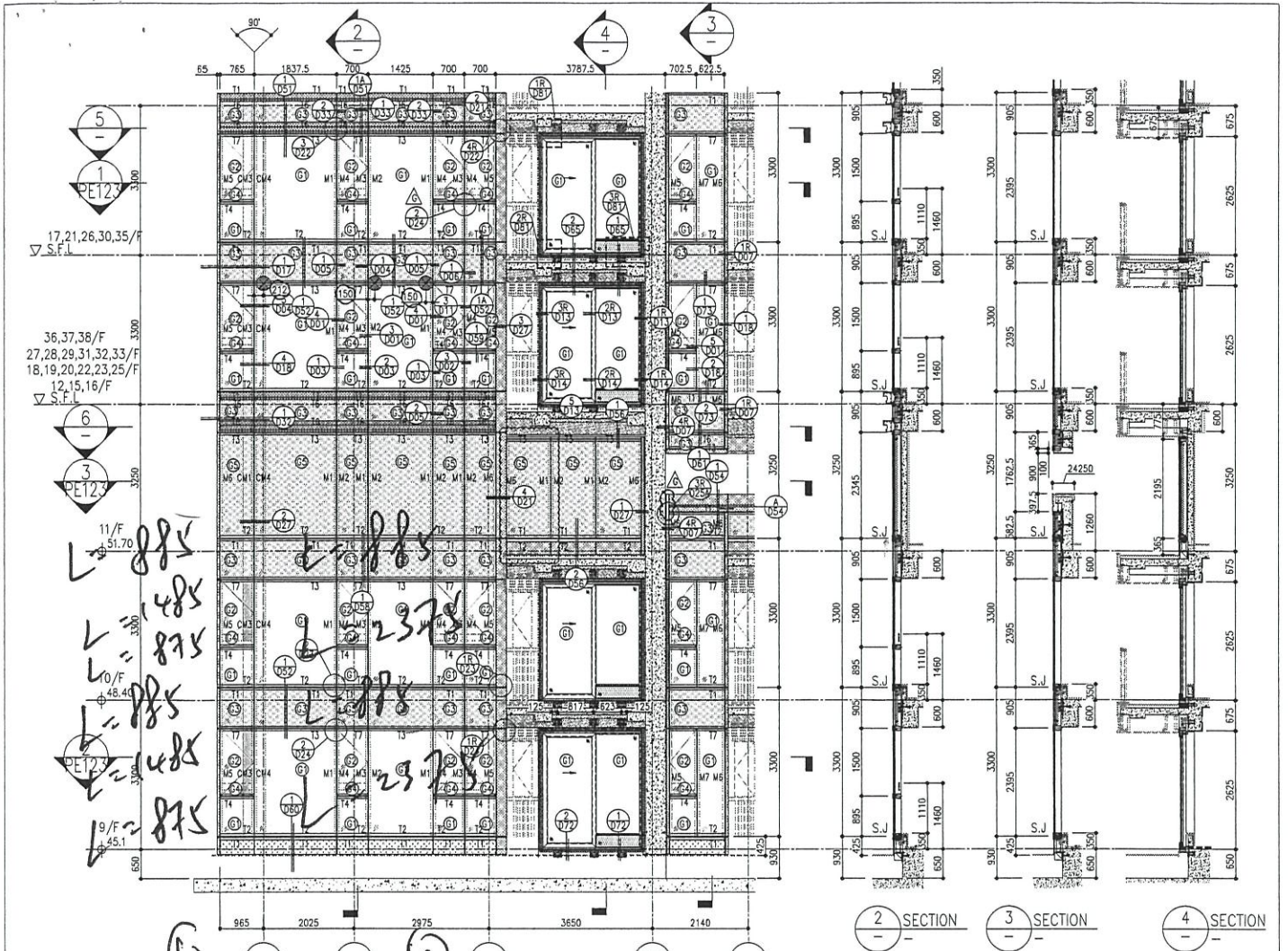


C = 18 x 12 x 3
 L = 50mm 長

12/14

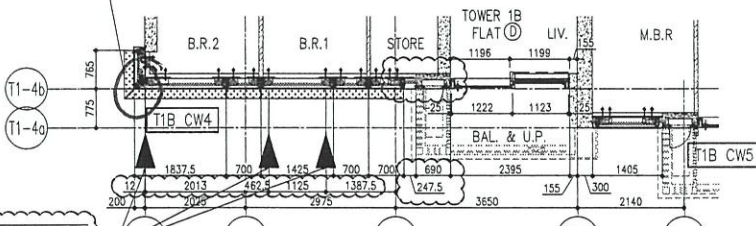
mill

C = 鋁板 可用鋁板摺



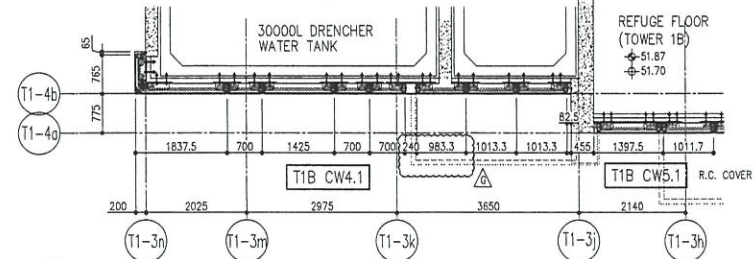
ARCH. FEATURE AT 11/F, 17/F, 21/F, 26/F, 30/F, 35/F

1 PART ELEVATION FOR CURTAIN WALL



RESTRAINT SOCKET AT 16/F, 22/F, 29/F, 36/F.

5 PART PLAN FOR CURTAIN WALL



6 PART PLAN (11/F) FOR CURTAIN WALL

26/F +91.25	39/F +130.85	52/F +170.40	
25/F +87.95	38/F +127.55	51/F +167.10	
23/F +84.65	37/F +124.25	50/F +163.80	R/F +203.80
22/F +81.35	36/F +120.95	49/F +160.50	62/F +200.30
21/F +78.05	35/F +117.65	48/F +157.20	61/F +196.80
20/F +74.75	33/F +114.35	47/F +153.90	60/F +193.50
19/F +71.45	32/F +111.05	46/F +150.60	59/F +190.20
18/F +68.15	31/F 107.75	45/F +147.30	58/F +186.90
17/F +64.85	30/F +104.45	43/F +144.00	57/F +183.60
16/F +61.55	29/F +101.15	42/F +140.70	56/F +180.30
15/F +58.25	28/F +97.85	41/F +137.40	55/F +177.00
12/F +54.95	27/F +94.55	40/F +134.15	53/F +173.70

- LEGEND:
- (1) 10mm THK. HEAT STRENGTHENED GLASS (OUTSIDE) +12mm AIR SPACE + 12mm THK. TEMPERED GLASS
 - (2) 10mm THK. HEAT STRENGTHENED GLASS (OUTSIDE) +12mm AIR SPACE + 10mm THK. TEMPERED GLASS
 - (3) 12mm THK. HEAT STRENGTHENED GLASS
 - (4) 12mm THK. CLEAR TEMPERED GLASS (INTERNAL PROTECTIVE BARRIER)
 - (5) 10mm THK. HEAT STRENGTHENED GLASS (OUTSIDE) +12mm AIR SPACE + 12mm THK. TEMPERED GLASS WITH REFLECTIVE COATING
 - (6) 10mm THK. CLEAR TEMPERED GLASS
 - (7) 8mm THK. CLEAR HEAT-STRENGTHENED GLASS +1.52mm PVB + 8mm THK. CLEAR HEAT-STRENGTHENED GLASS
 - (8) 3 mm THK. ALUM. CLADDING
 - (9) 3 mm THK. ALUM. BACKPAN
 - (10) STACK JOINT
 - (11) RESTRAINT SOCKET

DATE: 22-OCT-21 SCALE: 1:50(A1)

PROJECT: PROPOSED RESIDENTIAL DEVELOPMENT AT TOWER 10/F, PHASE 11, LEWIS PARK RESIDENCE, KOWLOON, N.T.

JOB NO.: J-6548

REVISIONS:

NO.	DATE	REVISION
1	17/09/22	ISSUED AS PER COMMENTS
2	26/09/22	ISSUED AS PER COMMENTS
3	23/09/22	ISSUED AS PER COMMENTS
4	06/10/22	ISSUED AS PER COMMENTS
5	24/10/22	ISSUED AS PER COMMENTS
6	20/11/21	ISSUED AS PER COMMENTS
7	01/12/21	ISSUED AS PER COMMENTS
8	01/12/21	ISSUED AS PER COMMENTS
9	01/12/21	ISSUED AS PER COMMENTS
10	01/12/21	ISSUED AS PER COMMENTS
11	01/12/21	ISSUED AS PER COMMENTS
12	01/12/21	ISSUED AS PER COMMENTS
13	01/12/21	ISSUED AS PER COMMENTS

NOTE: 1. ALL DIMENSIONS ARE IN mm. 2. ALL ELEVATIONS ARE VERTICAL FROM OUTSIDE BEFORE FINISHWORK. 3. ALL DIMENSIONS TO BE VERIFIED ON SITE.

LEGEND: (X) DETAIL MARK NO. (Y) REFER SHEET NO. 1. E.F.L. -- FINISHED FLOOR LEVEL. 2. S.F.L. -- STRUCTURAL FLOOR LEVEL. 3. (R) -- REVERSED DETAIL.

FAHOCK CONSULTANT: AECOM

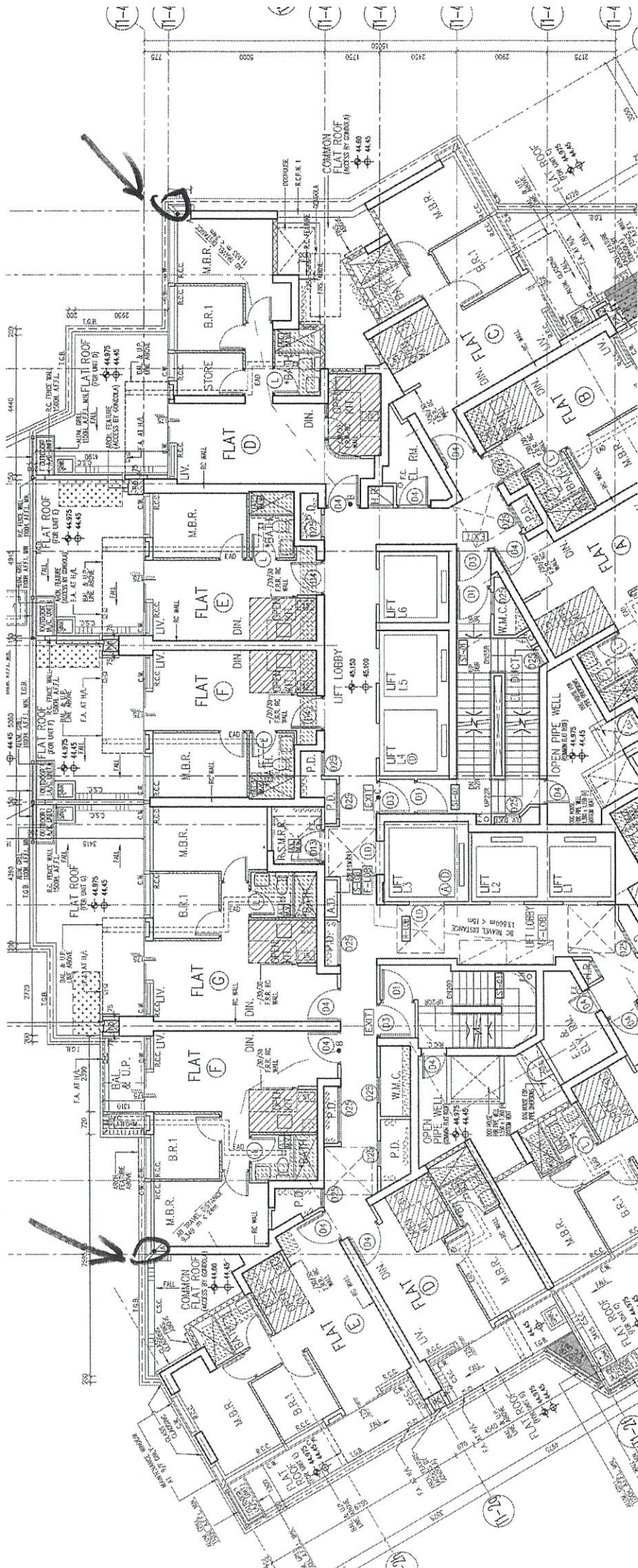
STRUCTURAL ENGINEER: Gammon

ARCHITECT: Ronald Lu & Partners

CLIENT: 德和置业有限公司 Sino Land Company Limited

B.O. REF: 107

圖一 建築平面



NOTE:

1. ALL DIMENSIONS ARE IN mm.
2. ALL ELEVATIONS ARE VIEWED FROM OUTSIDE.
3. ALL DIMENSIONS TO BE VERIFIED ON SITE BEFORE FABRICATION.

LEGEND:

- (A) DETAIL MARK NO.
- (B) REFER SHEET NO.

- 1. F.F.L. --- FINISHED FLOOR LEVEL
- 2. S.F.L. --- STRUCTURAL FLOOR LEVEL
- 3. (R) --- REVERSED DETAIL

B.D. AMENDMENT

THE CONTRACTOR SHALL VERIFY THE DIMENSIONS AND MATERIALS OF ALL COMPONENTS AND MATERIALS TO BE USED IN THE FABRICATION OF THE WINDOW AND DOOR ASSEMBLY. THE CONTRACTOR SHALL BE RESPONSIBLE FOR OBTAINING ALL NECESSARY APPROVALS FROM THE RELEVANT AUTHORITIES. THE CONTRACTOR SHALL BE RESPONSIBLE FOR OBTAINING ALL NECESSARY APPROVALS FROM THE RELEVANT AUTHORITIES.

NO.	DATE	REVISION	BY
C	07/03/23	B.D. AMENDMENT	K
B	03/12/23	B.D. AMENDMENT	K
A	28/12/21	B.D. AMENDMENT	K
	30/05/20	B.D. SUBMISSION	K
		ISSUED	BY

J-858

PROJECT : PROPOSED RESIDENTIAL DEVELOPMENT
AT TKOIL TOWER, PHASE 11, LOHAS PARK
TSEUNG KWAN O, N.T.

TITLE :

FACADE DETAIL

DATE : 22-OCT-21

SCALE : 1:1(A1)

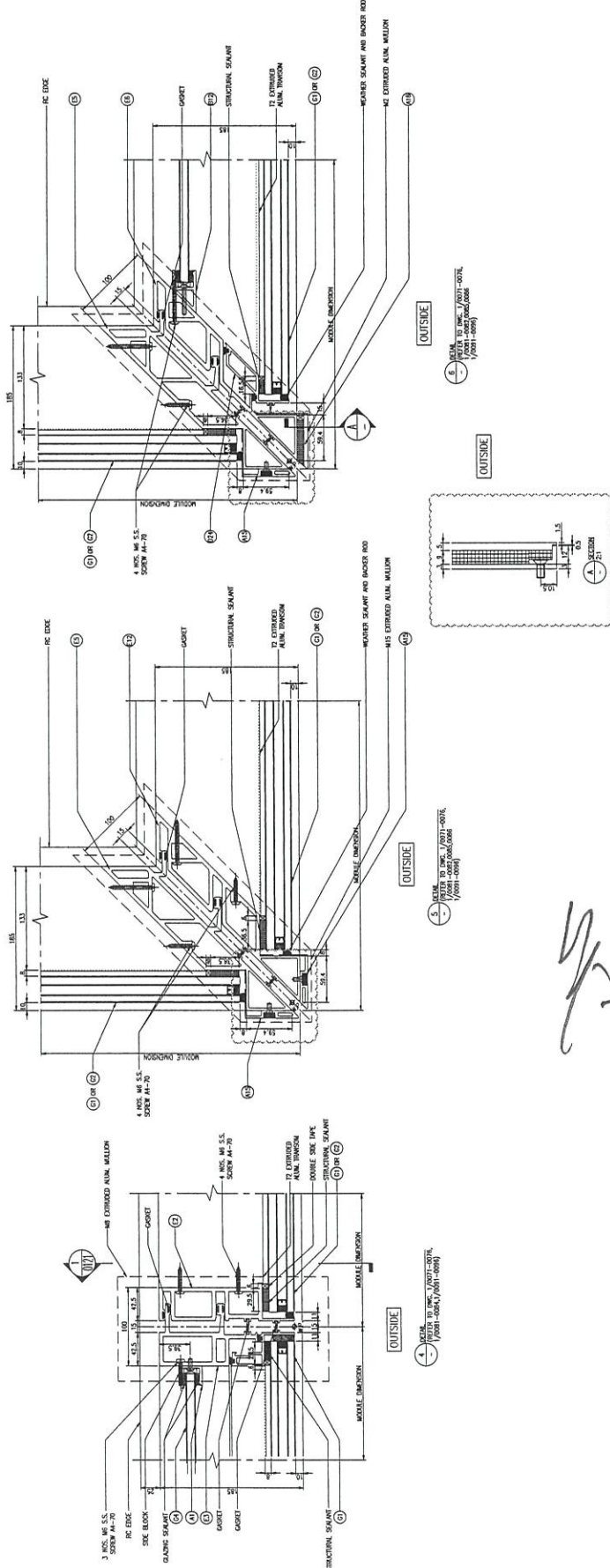
DRAWN BY : KY

CHECKED BY : YB

美特鋁質有限公司
MIDI ALUMINIUM MANUFACTURERS LTD.
Units 6-8, Sunny Industrial Centre, 1/F
810 Chee Mee Ling Road, Keeloon
Tel: 2485211-4 Fax: (852) 27721666

DWG NO. : LP11/Q101

REV. : C



[Handwritten signature]

B.D. REF :

CLIENT : 信和置業有限公司
Sino Land Company Limited

ARCHITECT : Ronald Lu & Partners
Ronald Lu & Partners (HK) Ltd.
呂克祥建築師事務所 (香港) 有限公司

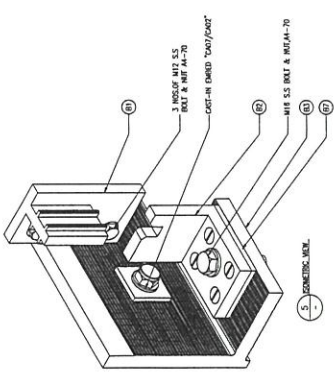
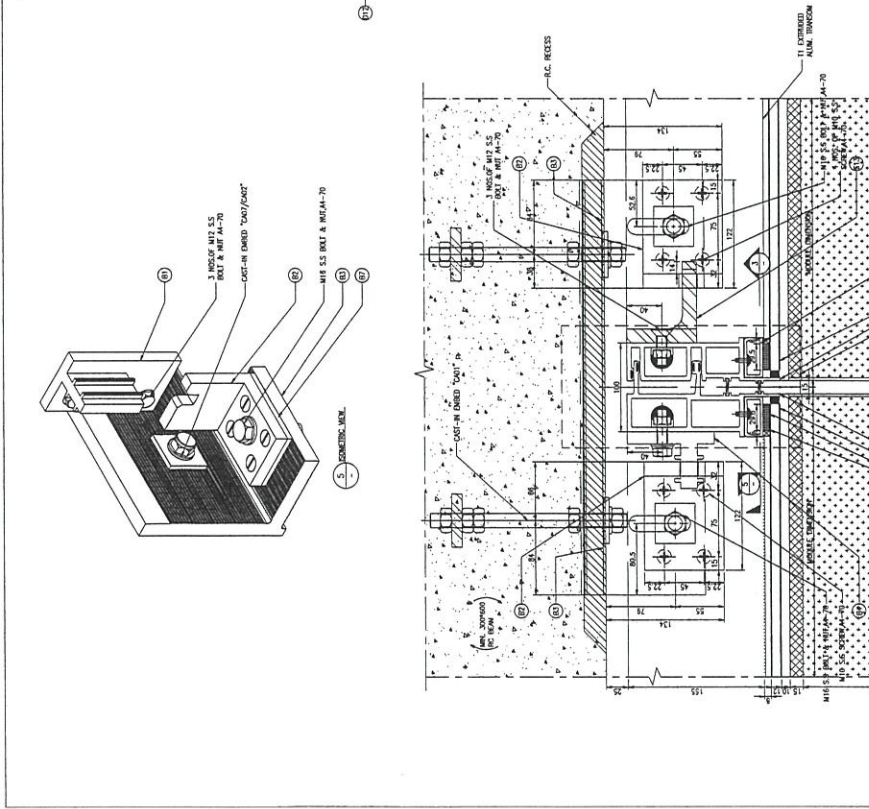
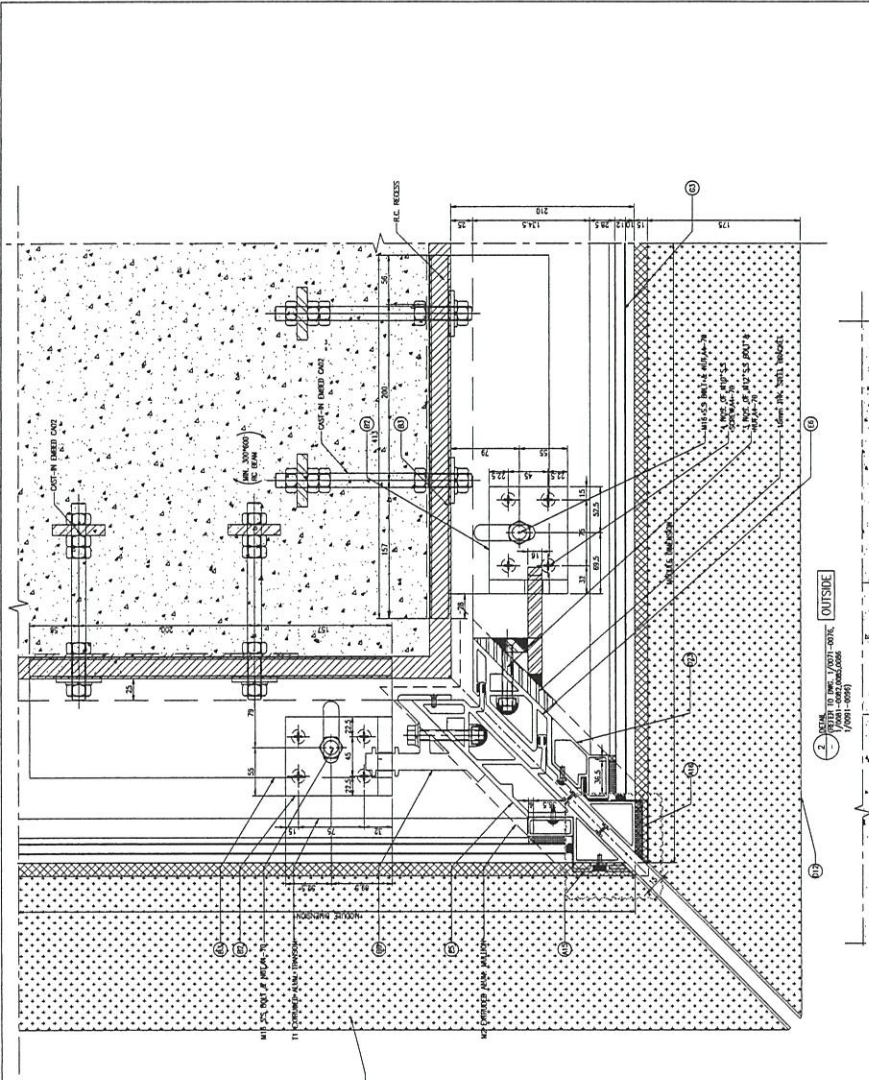
MAIN CONTRACTOR :

STRUCTURAL ENGINEER : Gammon
AECOM

FAÇADE CONSULTANT: AECOM

NOTE :
1. ALL DIMENSIONS ARE IN mm.
2. ALL ELEVATIONS ARE VIEWED FROM OUTSIDE.
3. ALL DIMENSIONS TO BE VERIFIED ON SITE BEFORE FABRICATION.

LEGEND :
 (XT) METAL MARK NO.
 (909) REFER SHEET NO.
 1. F.F.L. --- FINISHED FLOOR LEVEL
 2. S.F.L. --- STRUCTURAL FLOOR LEVEL
 3. (R) --- REVERSED DETAIL



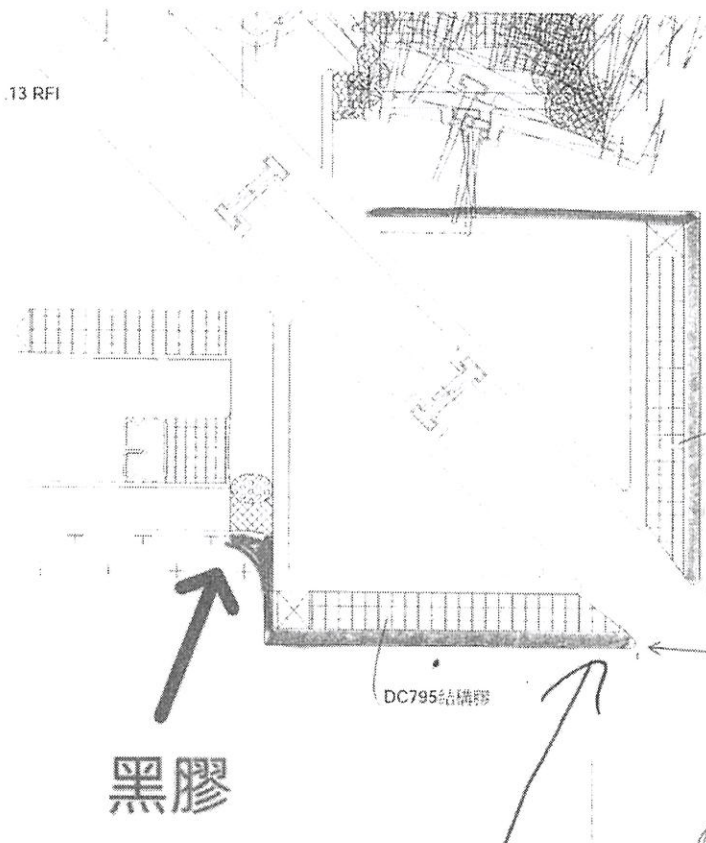
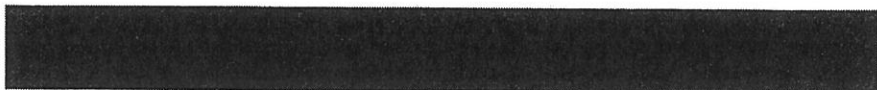
Handwritten signature or initials in Chinese characters.



後加出企身通長膠

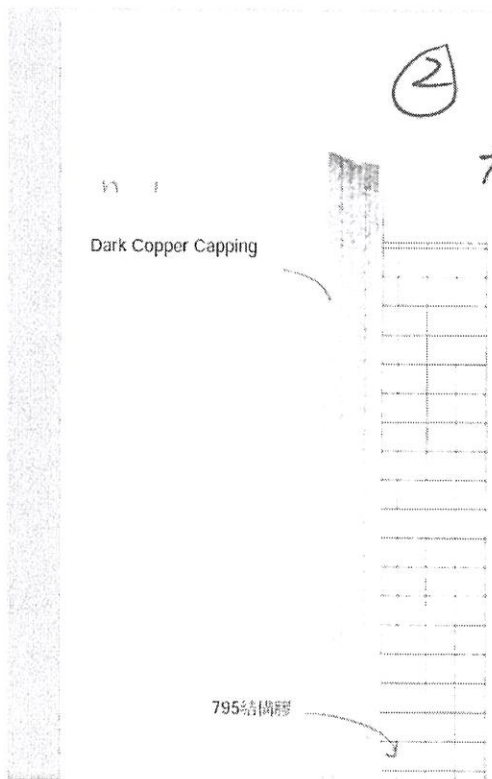


Ergo design
有隻鋁角托底



- 企身轉角位置
Copper顏色
- 1.此鋁料需新
月;
 - 2.此795結構
膠,要乾14-
Catalogue);
 - 3.BD對於無
批准,因此在
 - 4.Sealant tes
個月;

Handwritten note: 1/16/2020



② 轉角位置做深銅色
全窗用黑膠

