

工程指示 / 要求簡箋(E.I.)

工程指示編號：EI / 5715 / 23

修改版次：-

工程編號：J - 858

工程名稱：將軍澳日出康城

工程項目：佛沙窗 窗玉改方向 現場改 (分判)

收件人：]偉哥 QS

發件人：Ant Yeung

日期：14/02/2023

□要求提供 / □確認 事項：

- | | | |
|---------------|----------------|----------|
| () 初步鋁料 B.M. | () 加工拆圖，然後生產 | () 尺寸表 |
| () 正式鋁料 B.M. | () 技術上資料 / 指示 | () 報價 |
| () 配件 B.M. | () 樣辦或貨品說明書 | () 分判合約 |

內容：

請按附件分判佛沙窗 窗玉現場改方向 (33 隻)

- 因則師 comment 佛沙窗修改，B 座-D 單位 Bath 窗需要改方向。
- 涉及窗號和樓層 T1 9-26/F，T2 9-22/F，T3 9-19/F (14+11+8=33 隻)
共 33 隻窗玉 需要改方向和加裝遮醜片。
其餘已在佛沙廠更換。
- 附上佛沙廠生產記錄統計
- 附上改窗玉方向的方案供參考
- 原 EI4395 已按批圖生產，後來則師才 Comment 修改，已和信和視像點數 Abortive (2022.6.30)。
- 附上最後開窗方向圖紙
- 電郵已確認最後方向，正式 AI 未收，已再 Reminder 追 AI

謝謝

請在 2023.02.28 前完成上列要求。

附：

以上項目為：

 原合約工程包
 原合約工程加 / 減賬
 新工程報價

原因：-

分發東莞各部門：

- | | | | | | | | |
|------------|------------------------------|-----------|------------------------------|----------|------------------------------|-------------------|------------------------------|
| () 生產技術總監 | <input type="checkbox"/> 連附件 | () 技術部 | <input type="checkbox"/> 連附件 | () 生產部 | <input type="checkbox"/> 連附件 | () 機械設計部 | <input type="checkbox"/> 連附件 |
| () 採購部 | <input type="checkbox"/> 連附件 | () 生產統籌部 | <input type="checkbox"/> 連附件 | () 小羅&清 | <input type="checkbox"/> 連附件 | | |
| () 質檢部 | <input type="checkbox"/> 連附件 | () 會計部 | <input type="checkbox"/> 連附件 | () 報關組 | <input type="checkbox"/> 連附件 | () 其他 <u>楊榮輝</u> | <input type="checkbox"/> 連附件 |

分發香港各部門：

- | | | | | | | | | |
|---------|------------------------------|----------|------------------------------|---------|---|-------------|------------------------------|-----------|
| () 行政部 | <input type="checkbox"/> 連附件 | () 會計部 | <input type="checkbox"/> 連附件 | () 統籌部 | <input type="checkbox"/> 連附件 | () 工程部地盤科文 | <input type="checkbox"/> 連附件 | <u>積哥</u> |
| () 採購部 | <input type="checkbox"/> 連附件 | () QS 部 | <input type="checkbox"/> 連附件 | () 維修部 | <input checked="" type="checkbox"/> 連附件 | () 其他 | <input type="checkbox"/> 連附件 | |

傳遞編號：

發件人簽署：Ant Yeung

HK / 23

項目經理簽署：[Signature]

PROJECT :

PROPOSED RESIDENTIAL DEVELOPMENT

AT TKOTL 7ORP, PHASE 11, LOHAS PARK, TSEUNG KWAN O, N.T.

MC/41291/858

9

TITLE : SHOP DRAWING FOR
PRECAST ALUMINIUM WINDOW

DATE: 27-May-2022

BL. REF :

Handwritten notes:
11-3-1
11-3-2
11-3-3
11-3-4
11-3-5
11-3-6
11-3-7
11-3-8
11-3-9
11-3-10
11-3-11
11-3-12
11-3-13
11-3-14
11-3-15
11-3-16
11-3-17
11-3-18
11-3-19
11-3-20
11-3-21
11-3-22
11-3-23
11-3-24
11-3-25
11-3-26
11-3-27
11-3-28
11-3-29
11-3-30
11-3-31
11-3-32
11-3-33
11-3-34
11-3-35
11-3-36
11-3-37
11-3-38
11-3-39
11-3-40
11-3-41
11-3-42
11-3-43
11-3-44
11-3-45
11-3-46
11-3-47
11-3-48
11-3-49
11-3-50
11-3-51
11-3-52
11-3-53
11-3-54
11-3-55
11-3-56
11-3-57
11-3-58
11-3-59
11-3-60
11-3-61
11-3-62
11-3-63
11-3-64
11-3-65
11-3-66
11-3-67
11-3-68
11-3-69
11-3-70
11-3-71
11-3-72
11-3-73
11-3-74
11-3-75
11-3-76
11-3-77
11-3-78
11-3-79
11-3-80
11-3-81
11-3-82
11-3-83
11-3-84
11-3-85
11-3-86
11-3-87
11-3-88
11-3-89
11-3-90
11-3-91
11-3-92
11-3-93
11-3-94
11-3-95
11-3-96
11-3-97
11-3-98
11-3-99
11-3-100

Client:
信利置業有限公司
Sinc Land Company Limited

Architect:
Ronald Yu & Partners
Ronald Yu & Partners (HK) Ltd.
R.Y.P. 008 (香港註冊建築師)
MAIN CONTRACTOR:

Structural Engineer:
A E M
Package Consultant:
A E M

NOTE:
1. ALL DIMENSIONS ARE IN mm
2. ALL ELEVATIONS ARE VIEWED FROM OUTSIDE
3. ALL DIMENSIONS TO BE VERIFIED ON SITE
4. REFER TO PROGRAM

LEGEND:
DETAIL MARK NO.
REFER SHEET NO.
1. P.F.L. --- FINISHED FLOOR LEVEL
2. S.F.L. --- STRUCTURAL FLOOR LEVEL
3. --- REVERSED DETAIL

TABLE:
NO. | DIM. | AREA | PERCENTAGE | UNIT

PROJECT:
PROPOSED RESIDENTIAL DEVELOPMENT
AT TROT, 70RP, PHASE 11, LOHAS PARK
TSEUNG KWAN O, N.T.

TABLE:
FULL PLAN LAYOUT
(FOR T1: 10TH, 12TH-39TH FLOOR PLAN)
(41ST-52ND FLOOR PLAN)
DATE: 04-001-21 SCALE: 1:150
DRAWN BY: CHECKED BY:

Drawn by:
MIDI
Unit 6-8, 8/F, 800 Canton Road, Kowloon, HK
Tel: 23499211-4 Fax: (852) 2727558
DWG NO.: 055B-PW-3102 REV: A

LOCATION	QTY
T1B Flat D KIT	36
T1B Flat D BATH	36
T1B Flat C BATH	36
T1A Flat E BATH	36



Handwritten note:
T1 9-62/A

10TH, 12TH-39TH, 41ST-52ND FLOOR PLAN -- TOWER 11
(36 STOREYS)

S.D. REF :

CLIENT : **Sino Land Company Limited**
 ARCHITECT : **ronald lu & partners**
 Ronald Lu & Partners (HK) Ltd.
 呂志強建築師事務所 (香港) 有限公司
 MAIN CONTRACTOR : **Gammon AECOM**
 STRUCTURAL ENGINEER : **AECOM**
 FACADE CONSULTING : **AECOM**

- NOTE:
 1. ALL DIMENSIONS ARE IN mm.
 2. ALL ELEVATIONS ARE VIEWED FROM OUTSIDE.
 3. ALL DIMENSIONS TO BE VERIFIED ON SITE BEFORE FABRICATION.
 LEGEND:
 (A) DETAIL MARK NO.
 (B) REFER SHEET NO.
 1. F.F.L. --- FINISHED FLOOR LEVEL
 2. S.F.L. --- STRUCTURAL FLOOR LEVEL
 3. (R) --- REGISTERED DETAIL

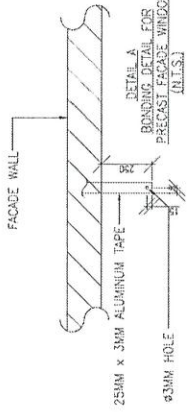
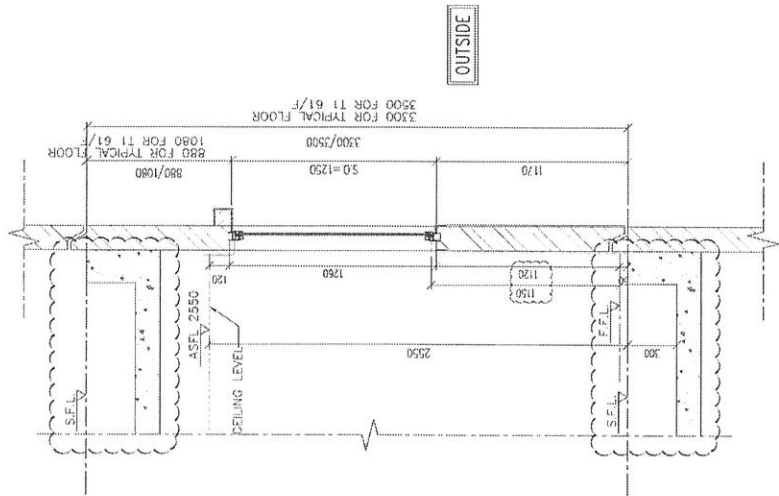
2	10-04-102	REVISED AS PER ARCHITECT COMMENT
3	10-12-022	REVISED AS PER ARCHITECT COMMENT
4	11-11-022	REVISED AS PER ARCHITECT COMMENT
5	11-11-022	REVISED AS PER ARCHITECT COMMENT

JOB NO. : J-858
 PROJECT : PROPOSED RESIDENTIAL DEVELOPMENT AT TR02/L 70RP, PHASE 11, LOHAS PARK TSEUNG KWAN O, N.T.

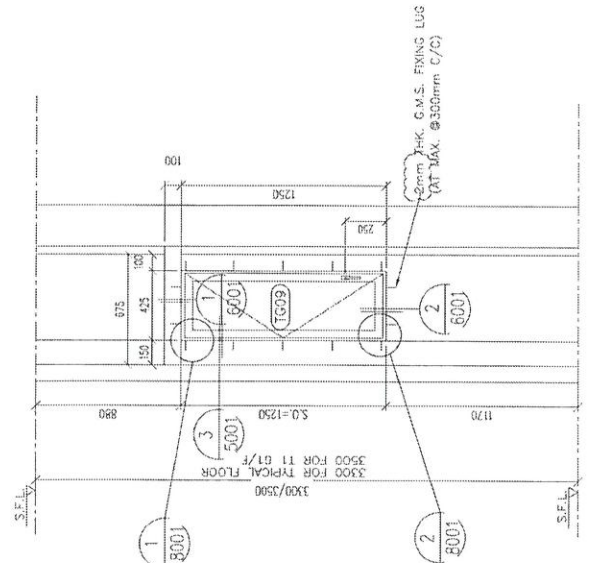
TITLE : PRECAST ALUM. WINDOW SCHEDULE

DATE : 04-OCT-21 SCALE : 1:30
 DRAWN BY :
 CHECKED BY :

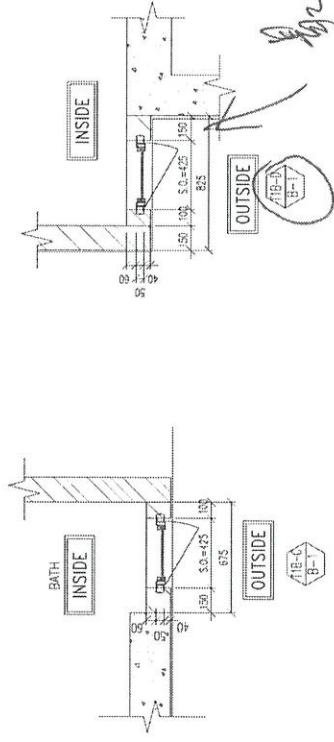
UNITED MIDDY ARCHITECTURAL PRACTICE LTD.
 Unit 8-9, Sunny Industrial Centre, 1/F
 2/F, 4/F, 6/F, 7/F, 8/F, 9/F
 282A-282C, 284-286, Tseung Kwan O, N.T.
 TEL: 34321144 FAX: 34321266
 REV. : C



GLAZING AREA	Required = 0.311 Provided = 0.594
OPENABLE AREA	Required = 0.311 Provided = 0.688



PRECAST FACADE NO: T1PF-E-1



Handwritten signature/initials

ELEVATION

WINDOW MARK	(A) (B) (C) (D) (E) (F) (G) (H) (I) (J) (K) (L) (M) (N) (O) (P) (Q) (R) (S) (T) (U) (V) (W) (X) (Y) (Z)
SECTION :	50mm ALUM. SECTION WITH PVF2 COATING (SILVER / CHAMPAGNE) COLOUR
QTY.	(45) NOS. (FLAT C) / (45) NOS. (FLAT D)
LOCATION :	TOWER (11B) FLAT C BATHROOM (9-10/F, 12/F-39/F, 41/F-52/F, 53/F-61/F) TOWER (11B) FLAT D BATHROOM (9-10/F, 12/F-39/F, 41/F-52/F, 53/F-61/F)
GLAZING	6mm THK HEAT STRENGTHENED CLEAR GLASS + 1.52mm MILKY WHITE PVB + 6mm THK LOW IRON HEAT STRENGTHENED CLEAR GLASS
REMARK :	

B.C. REF :

CLIENT : **信和置業有限公司**
Sino Land Company Limited

ARCHITECT : **ronald lu & partners**
Ronald Lu & Partners
建築師樓宇設計有限公司 (香港) 有限公司

MAIN CONTRACTOR : **Gammon**

STRUCTURAL ENGINEER : **AECOM**

FAÇADE CONSULTANT : **AECOM**

NOTE :

1. ALL DIMENSIONS ARE IN MM.
2. ALL ELEVATIONS ARE VIEWED FROM OUTSIDE.
3. ALL DIMENSIONS TO BE VERIFIED ON SITE BEFORE FABRICATION.

LEGEND :

- 1. F.F.L. --- FINISHED FLOOR LEVEL
- 2. S.F.L. --- STRUCTURAL FLOOR LEVEL
- 3. (Ø) --- REBBS DETAIL

NO.	DATE	REVISION
1	18-04-2024	REVISED AS PER ARCHITECT COMMENT
2	18-12-2023	REVISED AS PER ARCHITECT COMMENT

JOB NO. : J-554

PROJECT : PROPOSED RESIDENTIAL DEVELOPMENT AT TKOTL 70RP, PHASE 11, LOHAS PARK TSEUNG KWAN O, N.T.

TITLE : PRECAST ALUM WINDOW SCHEDULE

DATE : 04-OCT-21 SCALE : 1:30

CHECKED BY :

DESIGN BY :

PREPARED BY :

DATE : 04-OCT-21 SCALE : 1:30

REVISION : 1

ELEVATION

GLAZING AREA	Required = 0.305	Provided = 0.594
OPENABLE AREA	Required = 0.305	Provided = 0.685

WINDOW MARK : (A-B) (PRECAST-P18), (B-B) (PRECAST-P18), (C-B) (PRECAST-P18), (D-B) (PRECAST-P18)

SECTION : 50mm ALUM. SECTION WITH PVF2 COATING (SILVER) (CHAMPAGNE) (COLOUR)

QTY. : 49 NOS. (FLAT D)

LOCATION : TOWER 2(B) FLAT D BATHROOMS (9/F, 10/F, 12/F, 13/F, 14/F, 15/F, 16/F)

GLAZING : 6mm THK HEAT STRENGTHENED CLEAR GLASS + 1.52mm MILKY WHITE PVB + 6mm THK LOW IRON HEAT STRENGTHENED CLEAR GLASS

REMARK :

PREPARED BY : **林德鋸有限公司**
MIDI ARCHITECTURE
Unit 4-8, Sunny Industrial Estate, 1/F, 810 Cheong Cheong Street, Kwun Tong, Kowloon, HONG KONG
Tel: 23462111 Fax: 23462156

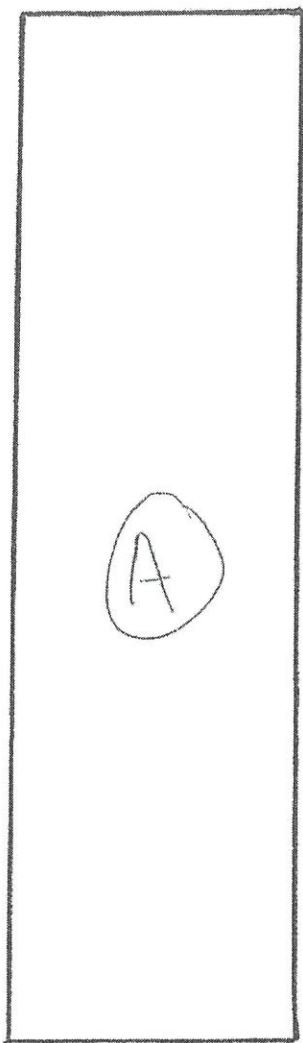
DATE : 04-OCT-21 SCALE : 1:30

REVISION : 1

J-858, EI/4846改窗方向步驟

教內非(即)向步驟
答答

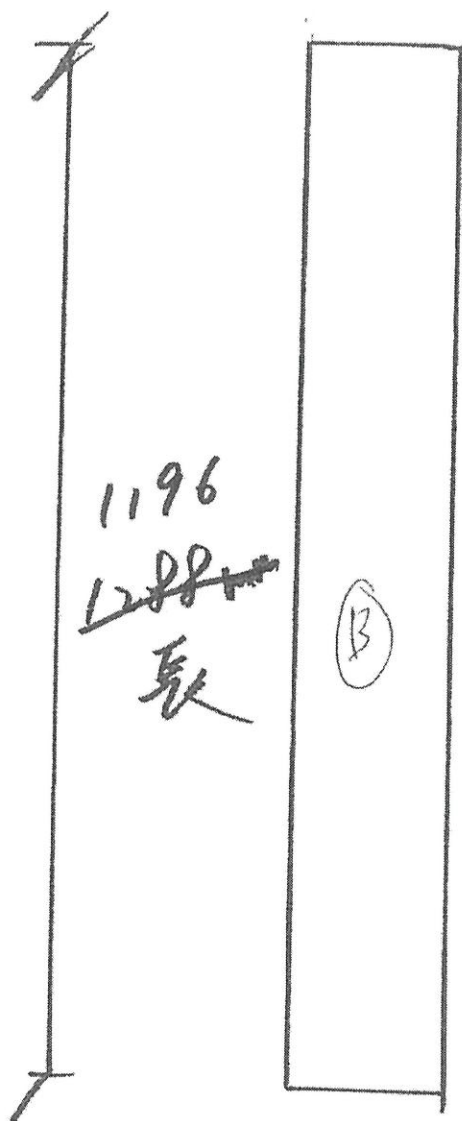
- ① 拆出包裝膠紙
- ② 拆出窗玉及窗玉配件
- ③ 拆出窗框配件及清膠
- ④ 窗框重新鑽扣碼、扇撐、夾叭孔
- ⑤ 重新加工窗玉及玻璃線 (帶手柄一只)
- ⑥ 窗框窗玉組合
- ⑦ 重新包膠紙



43 mm 寬

1 mm 厚

12.0 條



1196
~~1288~~
長

21 mm 寬

78x8

佛洛用

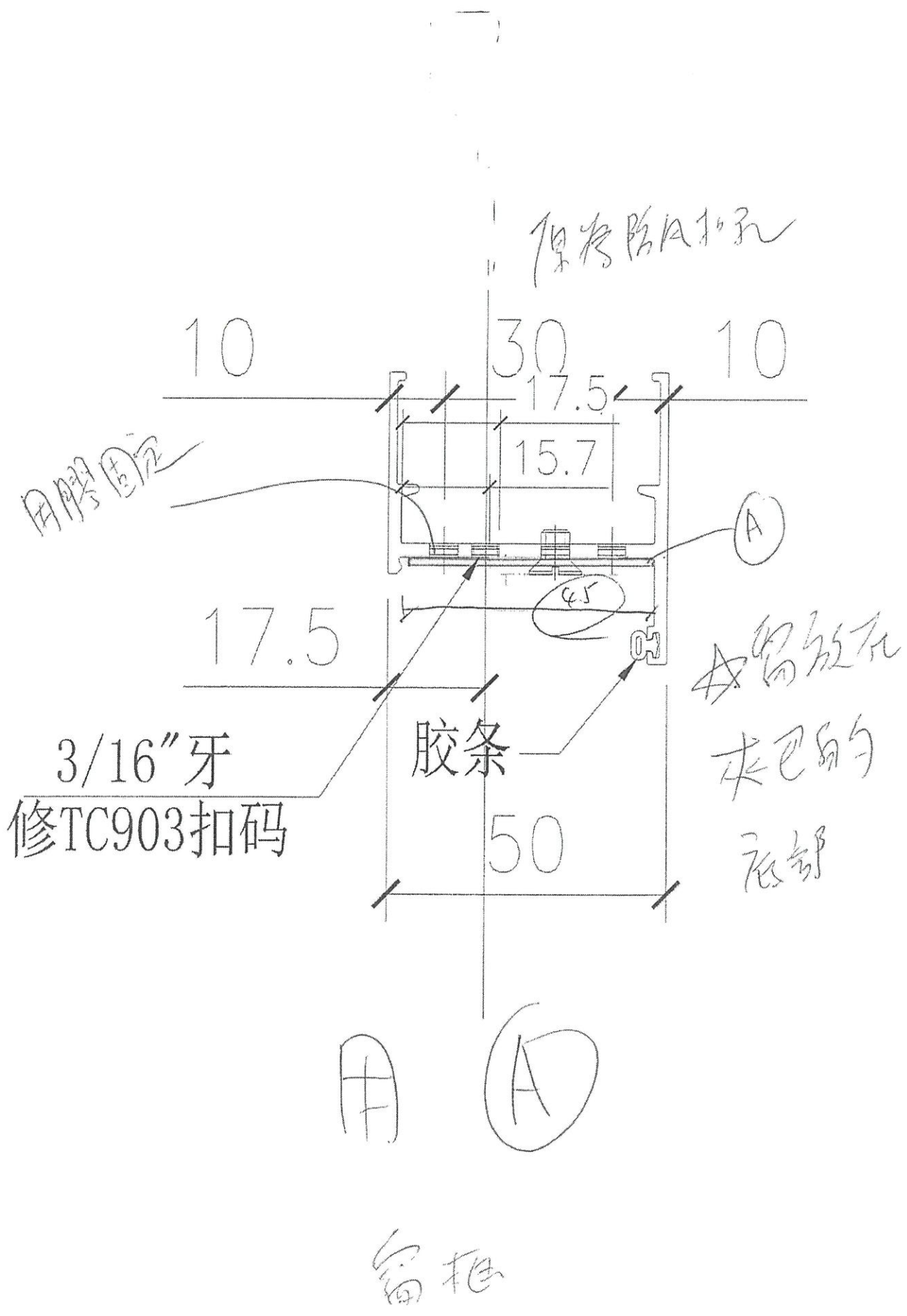
1 mm 厚

120 條

ECD3x1099S-JF2

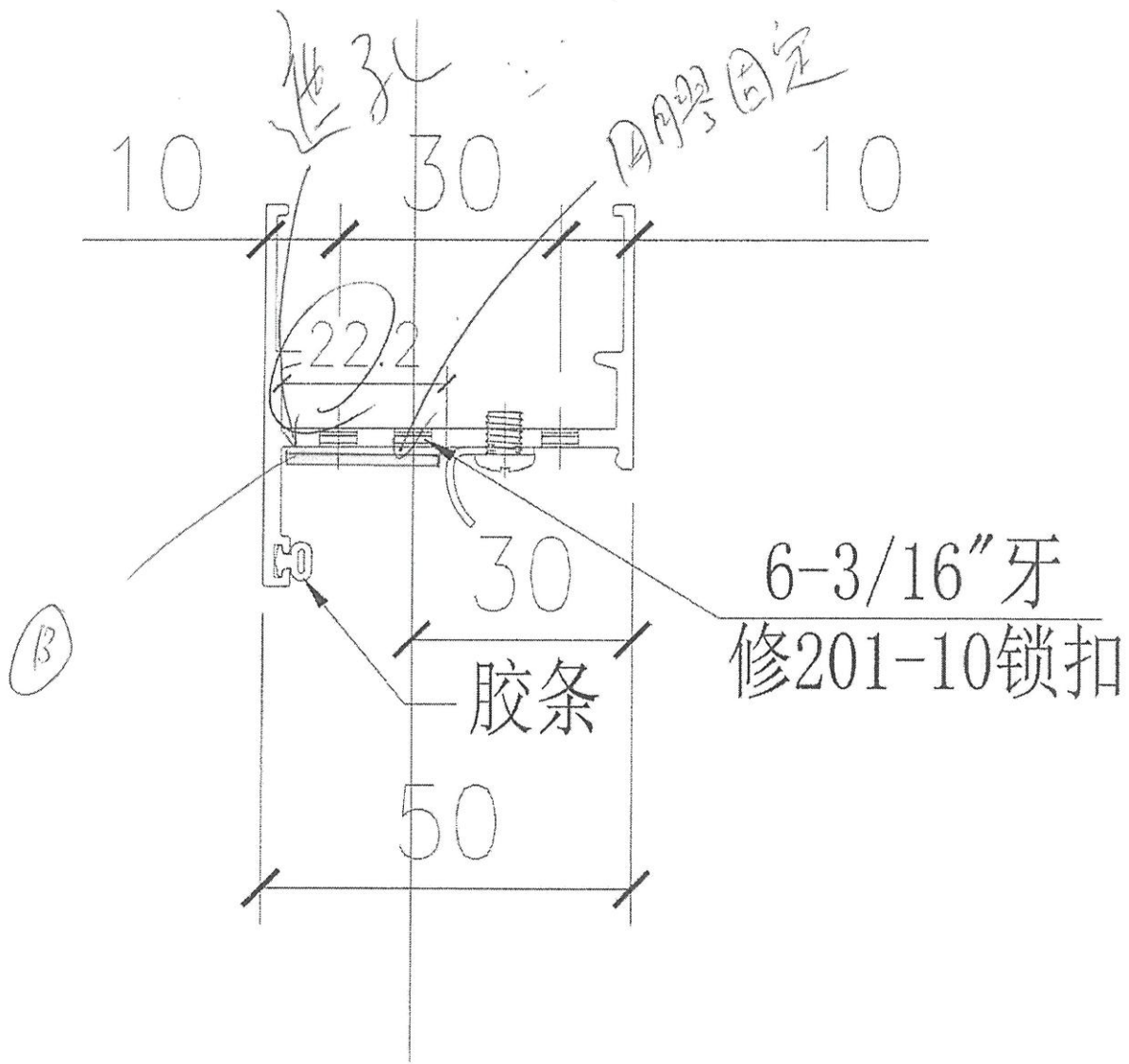


遮光片



(18) (16)

(原为巴孔)



窗框

(17)
(16)

From: "Ginny CHAU [RLPHK]" <ginnychau@rlphk.com>
To: "P19084@rlphk.com" <P19084@rlphk.com>,
"Marina TONG [RLPHK]" <marinatong@rlphk.com>,
"Ginny CHAU [RLPHK]" <ginnychau@rlphk.com>,
"Jun.Tsui@gammonconstruction.com" <Jun.Tsui@gammonconstruction.com>,
"Brian.Ng@gammonconstruction.com" <Brian.Ng@gammonconstruction.com>,
"j3931@gammonconstruction.com" <j3931@gammonconstruction.com>,
"KaHei.Wong@gammonconstruction.com" <KaHei.Wong@gammonconstruction.com>,
"Woody.Wong@gammonconstruction.com" <Woody.Wong@gammonconstruction.com>,
"Donny.Lo@gammonconstruction.com" <Donny.Lo@gammonconstruction.com>,
"Andy Chan Yan Wai'" <andywchan@sino.com>,
"Kenneth Leung'" <kennethleung@sino.com>,
"Herbert Thung'" <herbertthung@sino.com>,
"Terry Wan - Sino (facade)" <terrywan@sino.com>
Copies to: "ant.ysy.midi@gmail.com" <ant.ysy.midi@gmail.com>,
"jason.lcs.midi@gmail.com" <jason.lcs.midi@gmail.com>,
"bernard.lhf.midi@gmail.com" <bernard.lhf.midi@gmail.com>,
"Florence CHEUNG [RLPHK]" <florencecheung@rlphk.com>
Subject: LP11- Precast aluminium window
Date sent: Tue, 28 Jun 2022 08:59:42 +0000

Dear Jason (Midi),

As per discussion at External Wall Progress Meeting on Monday (27/6/22), we realise the precast windows (T1B-D/B-1, T2B-D/B-1 and T3B-D/B-1), which are under fabrication, are opening towards the wall and pipes side. No indication of opening direction was marked on the part plan in shop drawing SD/A/072 (rev.4) and elevation is missing for each window type. As per coordination meeting discussion between October to December 2021, we, Sino, WSP & GECCCL were coordinating to relocate the external pipes away from the window opening swing to provide better vision from bathroom, which make it impossible for the flat purchaser to open the window towards the wall. Please report the status of window T1B-D/B-1, T2B-D/B-1 and T3B-D/B-1.

From: Andy Chan Yan Wai <andywchan@sino.com>
To: "midi@midiltd.com.hk" <midi@midiltd.com.hk>, "Jun.Tsui@gammonconstruction.c...
Subject: Date sent:
Fri, 12 Aug 2022 13: 25:22 +0000
Copies to: "ant.y.sy.midi@gmail.com" <ant.y.sy.midi@gmail.com>, "jason.lcs.midi@gmail.com"...

Dear Jason,

We have in principal no adverse comment to the remedial details of facade window.
Please recitfy the workmanship of remedial details with painting for our further review.

B. Regards,
Andy

寄件者: midi@midiltd.com.hk <midi@midiltd.com.hk>
寄件日期: 2022年8月12日 17:12
收件者: Jun.Tsui@gammonconstruction.com <Jun.Tsui@gammonconstruction.com>;
Brian.Ng@gammonconstruction.com <Brian.Ng@gammonconstruction.com>;
j3931@gammonconstruction.com <j3931@gammonconstruction.com>;
KaHei.Wong@gammonconstruction.com <KaHei.Wong@gammonconstruction.com>;
Woody.Wong@gammonconstruction.com <Woody.Wong@gammonconstruction.com>; Donny
Chi Yung Lo <danny.lo@gammonconstruction.com>; P19084@rlphk.com <P19084@rlphk.com>;
Marina TONG [RLPHK] <marinatong@rlphk.com>; Ginny Chau <ginnychau@rlphk.com>; Andy
Chan Yan Wai <andywchan@sino.com>
副本: ant.y.sy.midi@gmail.com <ant.y.sy.midi@gmail.com>; jason.lcs.midi@gmail.com
<jason.lcs.midi@gmail.com>; bernard.lhf.midi@gmail.com <bernard.lhf.midi@gmail.com>
主旨: LP11- CW- (T1-3) B-D bath 佛沙窗改方向

CAUTION: This email is originated from external party. DO NOT CLICK any links or open attachments unless you recognize the sender and know the content is safe.

Dear Andy , Brian

有關 佛沙窗改方向 T1-B-D,T2B-D, T3B-D bath (B-1) 改方向

1. 現場已做樣板改方向後 封孔。請查看外觀是否可以接受。實際樣板現存放在學校寫字樓會議室

2. 另附上早前視象統計的廠內成品報告。

請發出AI 確認需要改方向。

下星期將會安排出貨佛沙窗。請儘快確認。

謝謝

源

MIDI Aluminium Fabricator Ltd., Tel:(852) 2348 9211, Fax:(852) 2772 7666

Disclaimer: The information contained in this e-mail is confidential and is intendedsolely for the addressee. If you are not the intended recipient, please notify the sender immediately and delete this e-mail from your system. Any unauthorised use, disclosure, copying, printing, forwarding or dissemination of any part of this information is prohibited. MIDI does not accept responsibility for the content of

From: j858@midiltd.com.hk <j858@midiltd.com.hk>
To: Jun.Tsui@gammonconstruction.com, Brian.Ng@gammonconstruction.com,
j3931@gammonconstruction.com, KaHei.Wong@gammonconstruction.com,
Woody.Wong@gammonconstruction.com, Donny.Lo@gammonconstruction.com,
Terry.KT.Leung@gammonconstruction.com, Edward.Chiang@gammonconstruction.com,
Eunice.Tang@gammonconstruction.com, rss19084mw@rlphk.com,
P19084@rlp.asia, marinatong@rlp.asia,
ginnychau@rlp.asia, wallaceng@rlp.asia,
andywchan@sino.com, terrywan@sino.com,
simonspleung@sino.com, kennethleung@sino.com,
stephenchow@sino.com
Subject: LP11- CW RFI 佛沙窗的最後開窗方向 - B座/D單位 Reminder
Copies to: ant.y.sy.midi@gmail.com, jason.lcs.midi@gmail.com
Date sent: Tue, 14 Feb 2023 16:58:12 +0800

Dear Andy , Marina, Brian

RFI 佛沙窗的最後開窗方向B座/D單位

附上佛沙窗的最後開窗方向，
因應早前Comment 修改了B座/D單位 Bath Window 開窗方向。

現場已做樣板改方向窗玉和加遮醜片。已確認見電郵。

因應此修改涉及Abortive (2022.07.5 已Video 點數)和 現場的修改窗玉和加遮醜片。

請發出A.I cover 上述事項和 最後開窗方向。

謝謝



源

Attachments: T:\Jobs\J-858\7 Email & Letter\Email\to Gammon\20230214 RFI AI precast window B-D swing direct\20230214 precast window B-D swing direct.pdf