

工程指示 / 要求簡箋(E.I.)

工程指示編號：EI/5299/22

修改版次：-

工程編號：J - 858

工程名稱：將軍澳日出康城

工程項目：佛沙窗 地盆用玻璃 BM (只放行生產 T1 9-19/F)

收件人：Maggie

發件人：Ant Yeung

日期：07/11/2022

□要求提供 / □確認 事項：

- | | | |
|------------------------------------|-------------------------------------|-------------------------------|
| <input type="checkbox"/> 初步鋁料 B.M. | <input type="checkbox"/> 加工拆圖，然後生產 | <input type="checkbox"/> 尺寸表 |
| <input type="checkbox"/> 正式鋁料 B.M. | <input type="checkbox"/> 技術上資料 / 指示 | <input type="checkbox"/> 報價 |
| <input type="checkbox"/> 配件 B.M. | <input type="checkbox"/> 樣辦或貨品說明書 | <input type="checkbox"/> 分判合約 |
- 內容：

請按玻璃 BM 生產玻璃送地盆。 需熱浸

1. 只放行生產 T1 9-19/F (9,10,12,15,16,17,18,19/F 共 8 層樓,包樣板層) 佛沙窗用玻璃，共 32 件
2. 因應拆棚期分隔太遠，餘下的大貨，年後才放行
3. 附上玻璃出貨表 EXCEL，請按出貨表排期生產、熱浸、和包箱
出貨到地盆 2022.12.20 預計熱浸約 2022.12.08
4. 不要印上熱浸標識。只給"可移除"的標識
5. 單片/Lam 片：標籤在室內面(注明尺寸)，方便移除
6. 此單包括 6mm 單片 / 6+1.52+6 mm Lam 片
7. 按 EI-4999 的熱浸追蹤標籤
8. 批核信件：MC41231

地盆留意：玻璃不能反轉內外安裝，特別留意 Lam 片，內外顏色有大相差。(內是超白玻璃) 謝謝
謝謝

請在 2022. 12.20 前完成上列要求。

附：

-
- 原合約工程包
-
- 原合約工程加 / 減賬
-
- 新工程報價

原因：-

分發東莞各部門：

- | | | | | | | | |
|---------------------------------|------------------------------|--------------------------------|------------------------------|-------------------------------|------------------------------|--------------------------------|---------------------------------|
| <input type="checkbox"/> 生產技術總監 | <input type="checkbox"/> 連附件 | <input type="checkbox"/> 技術部 | <input type="checkbox"/> 連附件 | <input type="checkbox"/> 生產部 | <input type="checkbox"/> 連附件 | <input type="checkbox"/> 機械設計部 | <input type="checkbox"/> 連附件 |
| <input type="checkbox"/> 採購部 | <input type="checkbox"/> 連附件 | <input type="checkbox"/> 生產統籌部 | <input type="checkbox"/> 連附件 | <input type="checkbox"/> 小羅&清 | <input type="checkbox"/> 連附件 | | |
| <input type="checkbox"/> 質檢部 | <input type="checkbox"/> 連附件 | <input type="checkbox"/> 會計部 | <input type="checkbox"/> 連附件 | <input type="checkbox"/> 報關組 | <input type="checkbox"/> 連附件 | <input type="checkbox"/> 其他 | 水洪 <input type="checkbox"/> 連附件 |

分發其他分判：

 連附件 積

分發香港各部門：


- | | | | | | | | |
|------------------------------|------------------------------|-------------------------------|------------------------------|------------------------------|------------------------------|----------------------------------|---------------------------------|
| <input type="checkbox"/> 行政部 | <input type="checkbox"/> 連附件 | <input type="checkbox"/> 會計部 | <input type="checkbox"/> 連附件 | <input type="checkbox"/> 統籌部 | <input type="checkbox"/> 連附件 | <input type="checkbox"/> 工程部地盤科文 | <input type="checkbox"/> 連附件 積哥 |
| <input type="checkbox"/> 採購部 | <input type="checkbox"/> 連附件 | <input type="checkbox"/> QS 部 | <input type="checkbox"/> 連附件 | <input type="checkbox"/> 維修部 | <input type="checkbox"/> 連附件 | <input type="checkbox"/> 其他 | <input type="checkbox"/> 連附件 |

傳遞編號：

發件人簽署：

HK / 22

項目經理簽署：

 美特鋁質 有限公司 MID Aluminum Fabricator Ltd.		工程號: J-858	計算: WCM	日期: 2022/11/04	送呈: Jason				
地盤名稱: 康城11期		核對: 日期:	副本:						
項目類別: 預制窗		批准: 日期:	A/C Code: 此BM依據						
BM編號: 修改版次:		總計玻璃面積 (平方米): 316.19							
序號	修改內容	玻璃編號	顏色與類型	玻璃尺寸		數量 (塊)	總面積 (平方米)	備注	
				寬度W (mm)	高度H (mm)				
1		YG09-01	TG09: 6mm THK HEAT STRENGTHENED CLEAR GLASS +1.52mm MILKY WHITE PVB +6mm LOW IRON THK HEAT STRENGTHENED CLEAR GLASS (R20220414034)	309	1129	185	64.54	只生產24件	
2		YG09-02	TG09: 6mm THK HEAT STRENGTHENED CLEAR GLASS +1.52mm MILKY WHITE PVB +6mm LOW IRON THK HEAT STRENGTHENED CLEAR GLASS (R20220414034)	454	1109	200	100.70	暫停 / 待放行	
3		YG09-03	TG09: 6mm THK HEAT STRENGTHENED CLEAR GLASS +1.52mm MILKY WHITE PVB +6mm LOW IRON THK HEAT STRENGTHENED CLEAR GLASS (R20220414034)	454	766	200	69.55	暫停 / 待放行	
4		YG09-04	TG09: 6mm THK HEAT STRENGTHENED CLEAR GLASS +1.52mm MILKY WHITE PVB +6mm LOW IRON THK HEAT STRENGTHENED CLEAR GLASS (R20220414034)	359	1129	98	39.72	暫停 / 待放行	
5		YG11-01	TG11: 6mm THK TEMPERED GLASS (R20220401057)	759	384	143	41.68	只生產8件	
						合計:	826	316	
加工注意事項: 1). 本表中所有玻璃對角線尺寸偏差要求不超過正負2mm。 2). 本表中所有玻璃要求粗磨邊及精磨邊處理並倒棱角。 3). 本表中不同種類玻璃參照玻璃加工圖加工。 4). 本表中所有強化玻璃均需HEAT SOAK TEST。 5). 本表中所有強化玻璃之入爐方向均以寬度方向進入。 6). 本表中所有玻璃成品均需注明室內外面及其玻璃編號，以便識別。									


	第一區	第二區	第三區
貨期	20/12.2022	7/2023	11/2023
T1	9-19/F	20-39/F	41-61/F
	次序1	次序3	次序5

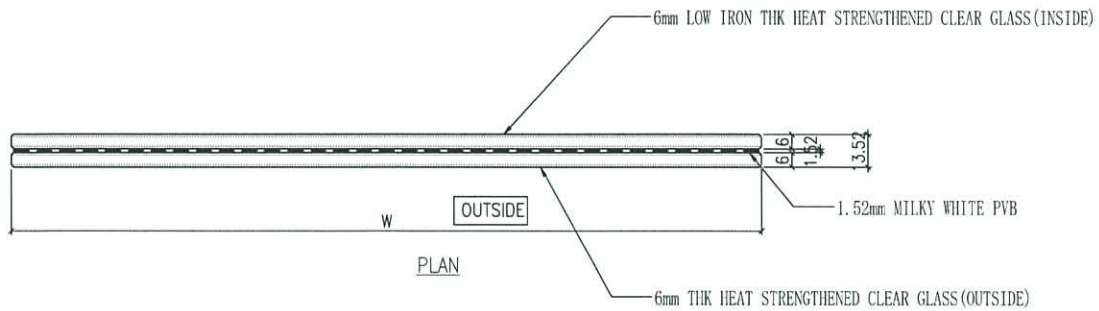
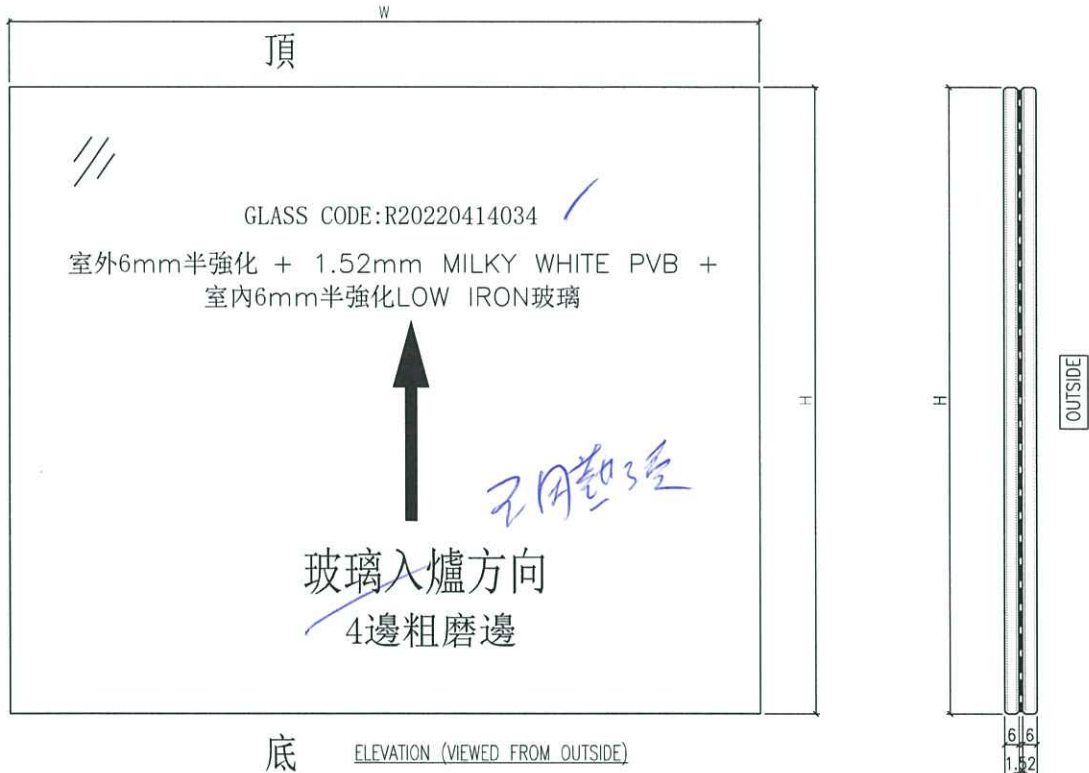
放行: 7. 9-19/F only

T2	9-22/f	23-45/f	46-67/f
T3	9-22/f	23-45/f	46-67/f
貨期	3/2023	10/2023	2/2024
	次序2	次序4	次序6

J858

			55/F	56/F	57/F	58/F	59/F	60/F	61/F	62/F	63/F	65/F	66/F	67/F	
佛沙窗															
YG09-01	T1	T1A-E/B-1	1	1	1	1	1	1	1	1					46
YG09-01	T1	T1B-C/B-1	1	1	1	1	1	1	1						45
YG09-01	T1	T1B-D/B-1	1	1	1	1	1	1	1						45
YG11-01	T1	T1B-D/K-1	1	1	1	1	1	1	1						45
			55/F	56/F	57/F	58/F	59/F	60/F	61/F	62/F	63/F	65/F	66/F	67/F	
YG09-02	T2	T2A-C/B-1	1	1	1	1	1	1	1	1	1	1	1	1	50
YG09-02	T2	T2A-D/B-1	1	1	1	1	1	1	1	1	1	1	1	1	50
YG09-03	T2	T2A-C/B-1	1	1	1	1	1	1	1	1	1	1	1	1	50
YG09-03	T2	T2A-D/B-1	1	1	1	1	1	1	1	1	1	1	1	1	50
YG09-04	T2	T2B-D/B-1	1	1	1	1	1	1	1	1	1	1	1	1	49
YG11-01	T2	T2B-D/K-1	1	1	1	1	1	1	1	1	1	1	1	1	49
			55/F	56/F	57/F	58/F	59/F	60/F	61/F	62/F	63/F	65/F	66/F	67/F	
YG09-01	T3	T3B-D/B-1	1	1	1	1	1	1	1	1	1	1	1	1	49
YG09-02	T3	T3A-C/B-1	1	1	1	1	1	1	1	1	1	1	1	1	50
YG09-02	T3	T3A-D/B-1	1	1	1	1	1	1	1	1	1	1	1	1	50
YG09-03	T3	T3A-C/B-1	1	1	1	1	1	1	1	1	1	1	1	1	50
YG09-03	T3	T3A-D/B-1	1	1	1	1	1	1	1	1	1	1	1	1	50
YG09-04	T3	T3A-F/B-1	1	1	1	1	1	1	1	1	1	1	1	1	49
YG11-01	T3	T3B-D/K-1	1	1	1	1	1	1	1	1	1	1	1	1	49


 美特鋁質有限公司 MIDI Aluminium Fabricator Ltd.				工程號	J858	類別		物料號	-	
				地盘	康城11期	制圖	W. E. X	2022-05-12	圖號	J858-YG09
修改	-	-	-	採用工廠	✓	地盘	-		數量	-
日期	-	-	-	材料颜色	-	材料	-		單件重量	- (KG)
				图纸名称	佛砂窗玻璃加工图	復核	-	-		
						批准	-	-		

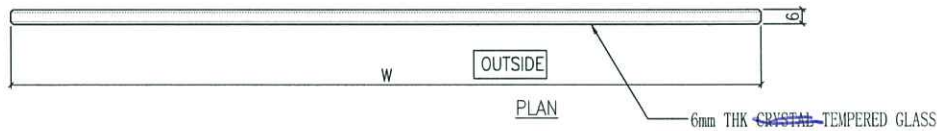
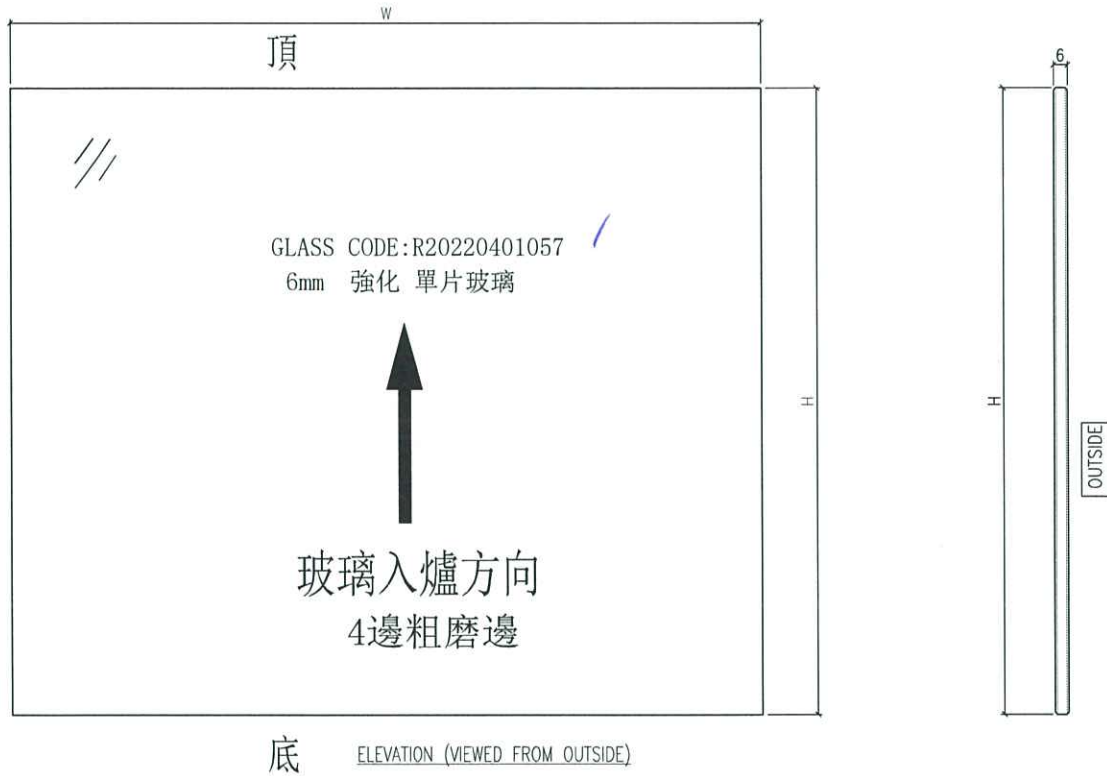


NOTES

1. ALL DIMENSION IN mm
2. ALL EDGE CHAMFER 1x1x45°

4	YG09-04	359	1129	98
3	YG09-03	454	766.5	200
2	YG09-02	454	1109.5	200
1	YG09-01	309	1129	185
序號	玻璃編號	W	H	數量

 美特鋁質有限公司 MIDI Aluminium Fabricator Ltd.				工程號	J858	類別		物料號	-					
				地盘	康城11期	制圖	W. E. X	2022-05-12	圖號	J858-YG11				
修改	-	-	-	採用工廠	✓	地盤	-	圖紙名稱	佛砂窗玻璃加工圖	復核	-	-	數量	-
日期	-	-	-	材料顏色	-	材料	-	批准	-	-	-	單件重量	-	(KG)



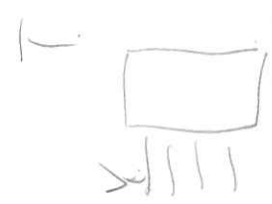
NOTES

1. ALL DIMENSION IN mm
2. ALL EDGE CHAMFER 1x1x45°

I	YG11-01	759	384	143
序號	玻璃編號	W	H	數量

Handwritten notes at the top of the page: "pung", "Wang", "BM", "Date", "LW".

美特鋁質有限公司 MIDI Aluminium Fabricator Ltd.		工程號: J-858	計算: WCM	日期: 31/05/2022	送呈: 施哥			
地盤名稱: 康城11期		核對:	核對:	日期:	副本:			
項目類別: 預制窗		批准:	批准:	日期:	A/C Code:			
修改版次:		總計玻璃面積 (平方米): 316.28		此BM依據				
BM編號:								
序號	修改內容	玻璃編號	顏色與類型	玻璃尺寸		數量 (塊)	總面積 (平方米)	備注
				寬度W (mm)	高度H (mm)			
1	八	YG09-01	TG09: 6mm THK HEAT STRENGTHENED CLEAR GLASS +1.52mm MILKY WHITE PVB +6mm LOW IRON THK HEAT STRENGTHENED CLEAR GLASS	309	1129	185	64.54	2014
2		YG09-02	TG09: 6mm THK HEAT STRENGTHENED CLEAR GLASS +1.52mm MILKY WHITE PVB +6mm LOW IRON THK HEAT STRENGTHENED CLEAR GLASS	454	1109.5	200	100.74	4/4 only
3		YG09-03	TG09: 6mm THK HEAT STRENGTHENED CLEAR GLASS +1.52mm MILKY WHITE PVB +6mm LOW IRON THK HEAT STRENGTHENED CLEAR GLASS	454	766.5	200	69.60	
4		YG09-04	TG09: 6mm THK HEAT STRENGTHENED CLEAR GLASS +1.52mm MILKY WHITE PVB +6mm LOW IRON THK HEAT STRENGTHENED CLEAR GLASS	359	1129	98	39.72	
5	八	YG11-01	TG11: 6mm THK STRENGTHENED TEMPERED GLASS	759	384	143	41.68	8件
				合計:		826	316	
<p>1). 本表中所有玻璃對角線尺寸偏差要求不超過正負2mm。</p> <p>2). 本表中所有玻璃要求粗磨邊及精磨邊處理並倒棱角。</p> <p>3). 本表中不同種類玻璃參照玻璃加工圖加工。</p> <p>4). 本表中所有強化玻璃均需HEAT SOAK TEST。</p> <p>5). 本表中所有強化玻璃之入爐方向均以寬度方向進入。</p> <p>6). 本表中所有玻璃成品均需注明室內外面及其玻璃編號，以便識別。璵</p>								
<h3>加工注意事項:</h3>								



E.D. REF :
116

CLIENT : 信和置業有限公司
Sino Land Company Limited

ARCHITECT : Ronald Lu & Partners
Ronald Lu & Partners (HK) Ltd.
呂志祥建築師事務所 (信和) 有限公司

MAIN CONTRACTOR :

STRUCTURAL ENGINEER : AECOM

FAÇADE CONSULTANT: AECOM

NOTE:
1. ALL DIMENSIONS ARE IN mm.
2. ALL ELEVATIONS ARE VIEWED FROM OUTSIDE.
3. ALL DIMENSIONS TO BE VERIFIED ON SITE BEFORE FABRICATION.

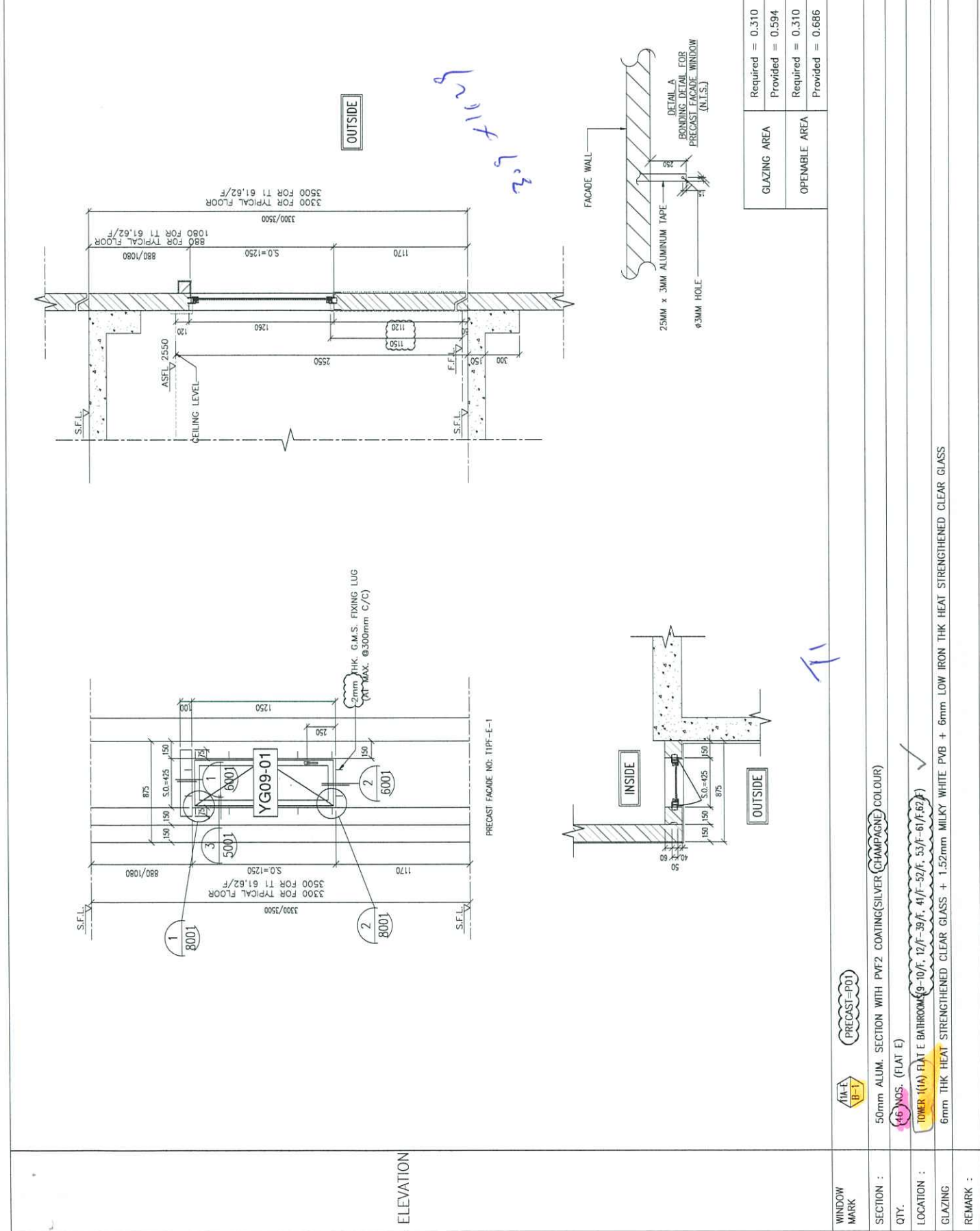
LEGEND:
① DETAIL MARK NO.
② REFER SHEET NO.
1. F.F.L. -- FINISHED FLOOR LEVEL
2. S.F.L. -- STRUCTURAL FLOOR LEVEL
3. Ⓞ -- REVERSED DETAIL

D/04-04-2024	RENDED AS PER ARCHITECT COMMENT		
C/04-12-2024	RENDED AS PER ARCHITECT COMMENT		
B/11-11-2024	RENDED AS PER ARCHITECT COMMENT		
A/24-10-2024	RENDED AS PER ARCHITECT COMMENT		
NO.	DATE	REVISION	BY

JOB NO. : J-858
PROJECT : PROPOSED RESIDENTIAL DEVELOPMENT AT 'KOTAI' PHASE 11, O'HAN PARK, TSEUNG KWAN O, N.T.
TITLE : PRECAST ALUM. WINDOW SCHEDULE

DATE : 04-OCT-21
SCALE : 1:30
DRAWN BY :
CHECKED BY :

UNIT : E-8, Sunny Industrial Centre, 1/F
TEL: 24248821-4 Fax: (852) 2717666
DWC NO. : 0558-PW-2102
REV. : D



ELEVATION

B.D. REF :

CLIENT : 信和置業有限公司
Sino Land Company Limited

ARCHITECT : Ronald Lu & Partners
Ronald Lu & Partners (HK) Ltd.
呂和理建築師事務所 (信和) 有限公司

MAIN CONTRACTOR :

STRUCTURAL ENGINEER : AECOM

FAÇADE CONSULTANT: AECOM

NOTE:
1. ALL DIMENSIONS ARE IN mm.
2. ALL ELEVATIONS ARE VIEWED FROM OUTSIDE.
3. ALL DIMENSIONS TO BE VERIFIED ON SITE BEFORE FABRICATION.

LEGEND:
① DETAIL MARK NO.
② REFER SHEET NO.
③ F.F.L. -- FINISHED FLOOR LEVEL
④ S.F.L. -- STRUCTURAL FLOOR LEVEL
⑤ -- REVERSED DETAIL

NO.	DATE	REVISION	BY
D/06-04-2022		RENSED AS PER ARCHITECT COMMENT	
C/08-12-2021		RENSED AS PER ARCHITECT COMMENT	
B/11-11-2021		RENSED AS PER ARCHITECT COMMENT	
A/05-10-2021		RENSED AS PER ARCHITECT COMMENT	

JOB NO. : J-858

PROJECT : PROPOSED RESIDENTIAL DEVELOPMENT AT 'KOTAI ZONE', PHASE 11, LOKAS PARK 19000 KWAN O, N.T.

TITLE : PRECAST ALUM. WINDOW SCHEDULE

DATE : 04-OCT-21

SCALE : 1:30

DRAWN BY :

CHECKED BY :

美特銘實業有限公司
MTDI Aluminium Fabrication Ltd.
Unit 8-9, Sunny Industrial Centre, 1/F
182-488211-4 Fax: (852) 27272666

ENC NO. : J858-PW-2103

REV. : D

ELEVATION

GLAZING AREA	Required = 0.305	Provided = 0.897
OPENABLE AREA	Required = 0.305	Provided = 0.596

WINDOW MARK : 7A-C 7A-D 7B-C 7B-D 7C-C 7C-D 7D-C 7D-D 7E-C 7E-D 7F-C 7F-D 7G-C 7G-D 7H-C 7H-D 7I-C 7I-D 7J-C 7J-D 7K-C 7K-D 7L-C 7L-D 7M-C 7M-D 7N-C 7N-D 7O-C 7O-D 7P-C 7P-D 7Q-C 7Q-D 7R-C 7R-D 7S-C 7S-D 7T-C 7T-D 7U-C 7U-D 7V-C 7V-D 7W-C 7W-D 7X-C 7X-D 7Y-C 7Y-D 7Z-C 7Z-D

SECTION : 50mm ALUM. SECTION WITH PVF2 COATING(SILVER CHAMPAGNE) COLOUR

QTY. 50 NOS. (FLAT C) / 50 NOS. (FLAT D)

NOTATION : TOWER 2(2A) FLAT C BATHROOM (9-10/F, 12/F-39/F, 41/F-66/F, 67/F) ✓
TOWER 2(2A) FLAT D BATHROOM (9-10/F, 12/F-39/F, 41/F-66/F, 67/F) ✓
6mm THK HEAT STRENGTHENED CLEAR GLASS + 1.52mm MILKY WHITE PVB + 6mm THK LOW IRON HEAT STRENGTHENED CLEAR GLASS

BD. REF. :

CLIENT : 佳和置業有限公司
Sino Land Company Limited

ARCHITECT : Ronald Lu & Partners
Ronald Lu & Partners (HK) Ltd.
羅蘭路建築師行 (信譽) 有限公司

MAIN CONTRACTOR :

STRUCTURAL ENGINEER : AECOM

FAÇADE CONSULTANT: AECOM

NOTE: 1. ALL DIMENSIONS ARE IN mm.
2. ALL ELEVATIONS ARE VIEWED FROM OUTSIDE.
3. ALL DIMENSIONS TO BE VERIFIED ON SITE BEFORE FABRICATION.

LEGEND:
 (A) DETAIL MARK NO.
 (X) REFER SHEET NO.

1. F.F.L. -- FINISHED FLOOR LEVEL
 2. S.F.L. -- STRUCTURAL FLOOR LEVEL
 3. (R) -- REVERSED DETAIL

REVISIONS:
 B. 18-04-2022 REVISED AS PER ARCHITECT COMMENT
 A. 18-12-2021 REVISED AS PER ARCHITECT COMMENT

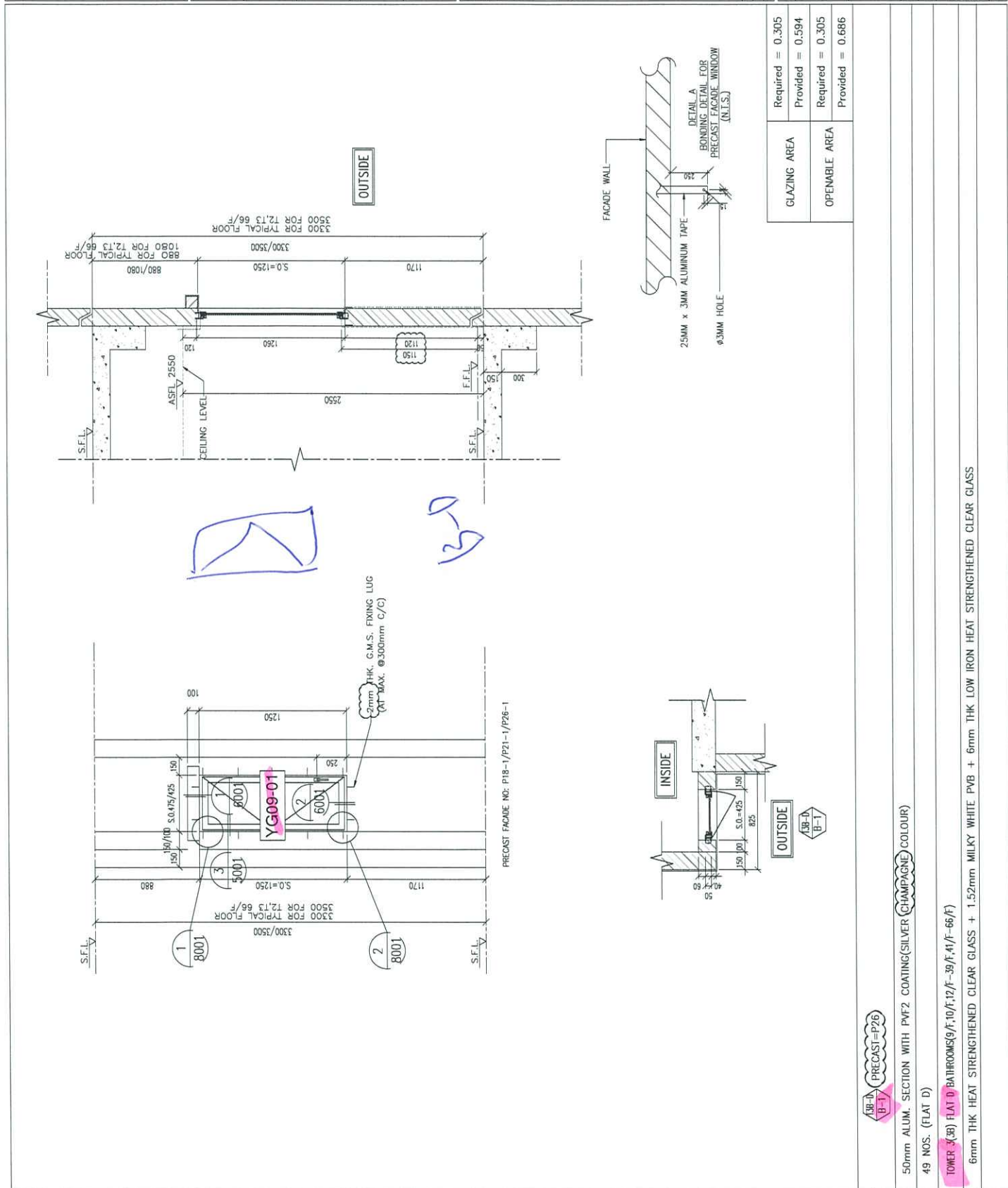
JOB NO. : J-858
 PROJECT : PROPOSED RESIDENTIAL DEVELOPMENT AT TKOIL 70RP, PHASE 11, LOHAS PARK TSEUNG KWAN O, N.T.

TITLE : PRECAST ALUM. WINDOW SCHEDULE

DATE : 04-OCT-21 SCALE : 1:30
 DRAWN BY : CHECKED BY :

UNITED OVERSEAS CHINESE CONTRACTORS LTD.
 MIDY ARCHITECTURE & INTERIORS LTD.
 Units 6-8, Sunny Industrial Centre, 1/F
 100, Yue Ma Tei Street, Tseung Kwan O, N.T.
 T: (852) 27272666
 F: (852) 27272666

DWG. NO. : J858-PW-2105a REV. : B



ELEVATION

WINDOW MARK: (B-1) PRECAST=P26

SECTION : 50mm ALUM. SECTION WITH PVF2 COATING (SILVER CHAMPAGNE COLOUR)

QTY. 49 NOS. (FLAT D)

LOCATION : TOWER 3(B) FLAT D BATHROOMS(9/F, 10/F, 12/F, 39/F, 41/F, 66/F)

GLAZING 6mm THK HEAT STRENGTHENED CLEAR GLASS + 1.52mm MILKY WHITE PVB + 6mm THK LOW IRON HEAT STRENGTHENED CLEAR GLASS

REMARK :

19084NT

Form RLP/TSF

Project Proposed Residential Development at TKOTL 70RP, Phase 11, Lohas Park, Tseung Kwan O, New Territories
Works Main Contract
Contract No. J3931
Ref. No. P19084NT/MS/MD/440 (Rev.1)
GECCL Ref. J3931/304/D03870
Date 25 Apr 2022
To / Attn RLP / Mr. Kenneth Wong / Ms. Florence Cheung
Subject **Material Submission – Midi – Glass Sample Precast & Insitu Alum. Window**

RONALD LU & PARTNERS
27 APR 2022
RECEIVED
Received by RLP

We write to request this submission replied by: RLP / AECOM / WSP / Others
Anticipated date of response 09 May 2022

We certify that the submission has been checked and is in full compliance with the Specification & Contract Documents, unless otherwise stated in the remarks.

REC 41231

Matthew Wong
For and on behalf of
Gammon Engineering & Construction Company Limited

- cc: Mr. K.S. Lee / Mr. Teddy Wu / Mr. HF Au / Mr. Si. Kwai / Mr. Jacky Cheung
 Mr. Tony Fan
 Mr. Ricky Ting
 Mr. Anthony Tam
 Mr. Herbert Tsang / Mr. Francis Lee / Mr. David Ho / Mr. Kenneth Leung / Mr. Andy Chan
 Mr. Henry Lo / Mr. Cole Li
 Ms. Monnie Lee / Ms. Phoebe Chung / Mr. Ryan Ho
WSP Mr. Simon Kaan / Mr. Tommy Leung
ADI (LANDSCAPE) Mr. Wilber So / Mr. Kenf Ng
MDL Mr. Morly Law
Beria Mr. Keith Yim / Mr. Randolph Chan
RE (AECOM) Mr. Simon Tso / Mr. Ken So
COW Mr. Marcus Kee
BSI BSI
WSP (Safety & Risk) Mr. Chris Tong / Mr. Louis Siu
Ramboll Mr. David Young
Tin Lee Mr. Eddie Kwan
AEC Mr. Andy Lai

Material / Work Description *	Glass Sample for Precast & Insitu Alum. Window
Location	Precast & Insitu Alum. Window
Brand Name	Guangdong Haikong Special Glass Technology Co. Ltd.
Model / Reference No. *	Glass Sample 1: 6mm Tempered Glass Glass code: R20220401057 Use of Location: Precast & Insitu Alum. Window (for Kitchen) Glass Sample 2: 6mm Heat Strengthened Clear Glass (Outside) + 1.52mm milky white PVB + 6mm Low-iron Heat Strengthened Clear Glass (Inside) Glass code: R20220414034 Use of Location: Precast & Insitu Alum. Window (for Bathroom)
Country of Origin	China
Supplier Name	Guangdong Haikong Special Glass Technology Co. Ltd.
Others (Color / Pattern, etc.) *	N/A
Material / Work Reference *	N/A
Specification Reference	N/A
Related Dwg. / A.I. Ref. *	N/A
Related BQ Reference	N/A
Submission Attachment	1 set of glass sample
Sample	<input checked="" type="checkbox"/> N/A
Catalogue / Technical Data *	<input type="checkbox"/> Attached
Test Report / Certificate *	<input type="checkbox"/> N/A
Equipment Schedule	<input type="checkbox"/> N/A
Method Statement	<input type="checkbox"/> N/A
Installation Details	<input type="checkbox"/> N/A
Job Reference	<input type="checkbox"/> N/A
Remarks (To list deviations, if any)	* Delete as appropriate

Review Status / Comment

RESPONSE TO TECHNICAL SUBMISSION REVIEW STATUS: B.
Date 30/5-2022
Comments 1/ NO ADVERSE COMMENT ON YOUR MATERIAL SUBMISSION
2/ REFER TO COMMENTS FROM SINO, FACADE CONSULTANT AND OTHER RELEVANT PARTIES.

Replied by SE / Date
Replied by BS / Date
Replied by RLP / Date 30/5-2022



For and on behalf of
Ronald Lu & Partners (Hong Kong) Ltd. SKH/NYFI TTC

No review is made of detail dimensions/quantities.
The submission is reviewed for general compliance with the design intent only.
Any comments or amendments required shall not be deemed to be variation.
The review does not release the Contractor from his responsibilities to comply with contract requirements.
For resubmission, the Contractor has to highlight or cloud those revision areas in the shop drawing for review.
Legend: A (No objection) B (No objection, subject to comments as noted) C (Amendment & resubmission required) D (Rejected & resubmission required)

- cc: Mr. K.S. Lee / Mr. Teddy Wu / Mr. HF Au / Mr. Si. Kwai / Mr. Jacky Cheung
 Mr. Tony Fan
 Mr. Ricky Ting
 Mr. Anthony Tam
 Mr. Herbert Tsang / Mr. Francis Lee / Mr. David Ho / Mr. Kenneth Leung / Mr. Andy Chan
 Mr. Henry Lo / Mr. Cole Li
 Ms. Monnie Lee / Ms. Phoebe Chung / Mr. Ryan Ho
WSP Mr. Simon Kaan / Mr. Tommy Leung
ADI (LANDSCAPE) Mr. Wilber So / Mr. Kenf Ng
MDL Mr. Morly Law
Beria Mr. Keith Yim / Mr. Randolph Chan
RE (AECOM) Mr. Simon Tso / Mr. Ken So
COW Mr. Marcus Kee
BSI BSI
WSP (Safety & Risk) Mr. Chris Tong / Mr. Louis Siu
Ramboll Mr. David Young
Tin Lee Mr. Eddie Kwan
AEC Mr. Andy Lai

w/e



美特鋁質有限公司
MIDI ALUMINIUM FABRICATOR LTD.

Our ref. MC/41231/858

22nd April, 2022

Gammon Construction Company Limited
22/F Tower 1, The Quayside,
77 Hoi Bun Road,
Kwun Tong, Kowloon.

By Email & Hand

Attn.: Mr. Matthew Wong

Dear Sir,

**Re: Design, Supply and Installation of Curtain Wall, Glass Wall, Aluminium Window, Aluminium Cladding, Aluminium Louvres and Glass Balustrade Nominated Sub-Contract at T.K.O.T.L. 70 RP, Phase 11, LOHAS Park, Tseung Kwan O, N.T.
Submission of Glass Sample for Precast & Insitu Alum. Window (MS029)**

Regarding the captioned project, we would like to submit glass sample for Precast & Insitu Alum. Window for your review and comment.

Brand : Guangdong Haikong Special Glass Technology Co. Ltd.

Glass Sample 1 : 6mm Tempered Glass

Glass code : R20220401057

Use of Location: Precast & Insitu Alum. Window (for Kitchen)

Glass Sample 2 : 6mm Heat Strengthened Clear Glass (Outside) + 1.52mm milky white PVB
+ 6mm Low-iron Heat Strengthened Clear Glass (Inside)

Glass code : R20220414034

Use of Location: Precast & Insitu Alum. Window (for Bathroom)

Remarks:

- 1.) 1 set of glass sample will be delivered to Gammon site office.
- 2.) Glass data was attached.

If you have any query, please feel free to contact us.

Thank you for your kind attention.

Yours faithfully,
MIDI ALUMINIUM FABRICATOR LTD.


Francis Mau
Managing Director

Encl - 5 page(s)

cc. Gammon	- Mr. Jun Tsui / Mr. Brian Ng	(w/e)
Sino	- Mr. Terry Wan / Mr. Andy Chan	(w/e) (Email Only)
RLP	- Ms. Marina Tong / Ms. Ginny Chau	(w/e) (Email Only)
Aecom	- Mr. Ryan Ko / Mr. Cole Li	(w/e) (Email Only)
	- Ms. Daisy Lau / Ms. Crystal Wong	

FM/MT/DW/IL/AY/EL/KL/yl
九龍葵蔴嶺道610號生利工業中心1樓6-8號

Units 6-8, 1st Floor, Sunray Industrial Centre, 610 Cha Kwo Ling Road, Kln.

TEL. (電話): 2348 9211 FAX. (傳真): 2772 7666 E-mail Address (電郵): midi@midiltd.com.hk.



ISO 9001 : 2015
Certificate No: CC 1795



MIDI ALUMINIUM FABRICATOR LTD.

Units 6, 7, 8 Sunray Industrial Centre, 1st Floor, 610 Cha Kwo Ling Road Kowloon.

Project : T.K.O.T.L. 70 RP, Phase 11, LOHAS Park, Tseung Kwan O, N.T.

Subject : 6mm Tempered Glass (Sample 1) (MS029)

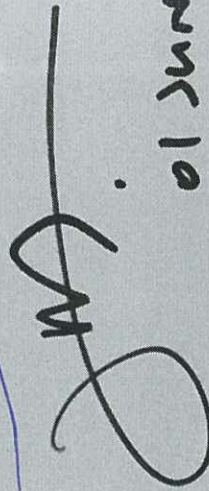
Brand : Guangdong Haikong Special Glass Technology Co. Ltd.

Glass Code : R20220401057

Location : Precast & Insitu Alum. Window (for Kitchen)

Letter ref. : MC/41231/858

Date : 22nd April 2022



01 Jun 22.



MIDI ALUMINIUM FABRICATOR LTD.

Units 6, 7, 8 Sunray Industrial Centre, 1st Floor, 610 Cha Kwo Ling Road Kowloon.

Project : T.K.O.T.L. 70 RP, Phase 11, LOHAS Park, Tseung Kwan O, N.T.
Subject : 6mm Heat Strengthened Clear Glass (Outside) + 1.52mm milky white PVB
+ 6mm Low-iron Heat Strengthened Clear Glass (Inside) (Sample 2) (MS029)
Brand : Guangdong Haikong Special Glass Technology Co. Ltd.
Glass Code : R20220414034
Location : Precast & Insitu Alum. Window (for Bathroom)
Letter ref. : MC/41231/858
Date : 22nd April 2022

01 JUN 22