

## 工程指示 / 要求簡箋(E.I.)

工程指示編號：EI / 5195 / 23

修改版次：X

工程編號：J - 858

工程名稱：將軍澳日出康城 11

工程項目：趟門 大貨鋁料 趟門出企收口 X86320 暫停開料

收件人：生統 / 王良 / 拆圖

發件人：Ant Yeung

日期：24/03/2023

X 版: 由於趟門業主有 comment，因此趟門出企收口 X86320 暫停開料。

## W 版:

1. 因趟門玉的限位片為 8 件 1 個門玉，因此修改組裝圖。
2. 早前發現玻璃線標示尺寸有誤，現修正。
3. 附上 EI5195K J-858 趟門拆圖圖則表-rev08 20230322
4. 放行全部趟門外通，趟門內框，放行 T1-T3 12,15,16F 門玉
5. 沙機位 (12,15,16F 除外) 趟門內框和門玉未出開料單。

## 6. 附上趟門加工圖及組裝圖

J-858 趟門型材加工明細表 門玉(T1-12F,15F,16F 樣板層)-A 版 20230322

J-858 趟門型材加工明細表 門玉(T2-12F,15F,16F 樣板層)-A 版 20230322

J-858 趟門型材加工明細表 門玉(T3-12F,15F,16F 樣板層)-A 版 20230322

J858 趟門加工圖修改 20230322

J858 趟門組裝圖修改 20230322

請在 2023.03.25 前完成上列要求。

附：頁

 原合約工程包 原合約工程加 / 減賬 新工程報價

分發東莞各部門：

- ( ) 生產技術總監  連附件 (✓) 技術部  連附件 ( ) 生產部  連附件 ( ) 機械設計部  連附件  
 ( ) 採購部  連附件 (✓) 生產統籌部  連附件 (✓) 小羅&清  連附件  
 (✓) 質檢部  連附件 ( ) 會計部  連附件 ( ) 報關組  連附件 (✓) 其他 水洪,楊榮輝  連附件

分發香港各部門：

- ( ) 行政部  連附件 ( ) 會計部  連附件 ( ) 統籌部  連附件 (✓) 工程部地盤科文  連附件 積哥  
 ( ) 採購部  連附件 ( ) QS 部  連附件 ( ) 維修部  連附件 ( ) 其他 \_\_\_\_\_  連附件

傳遞編號：

HK 580 / 23

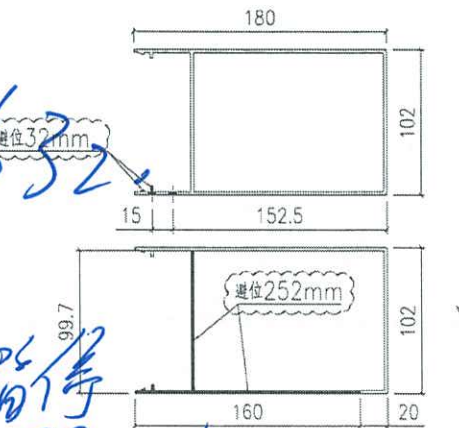
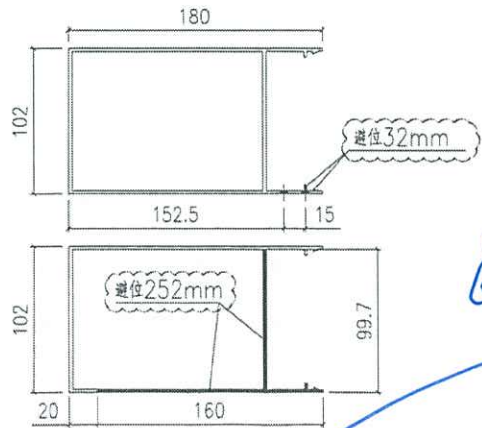
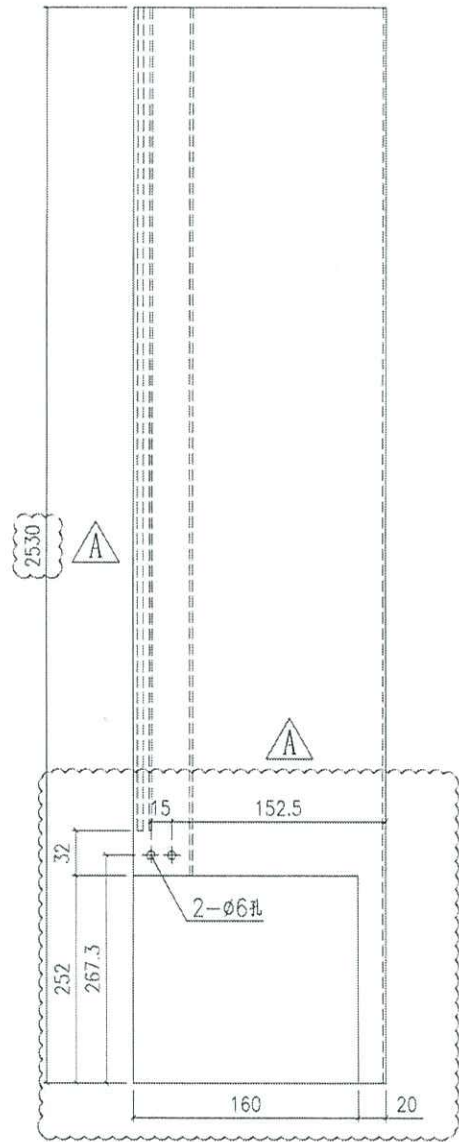
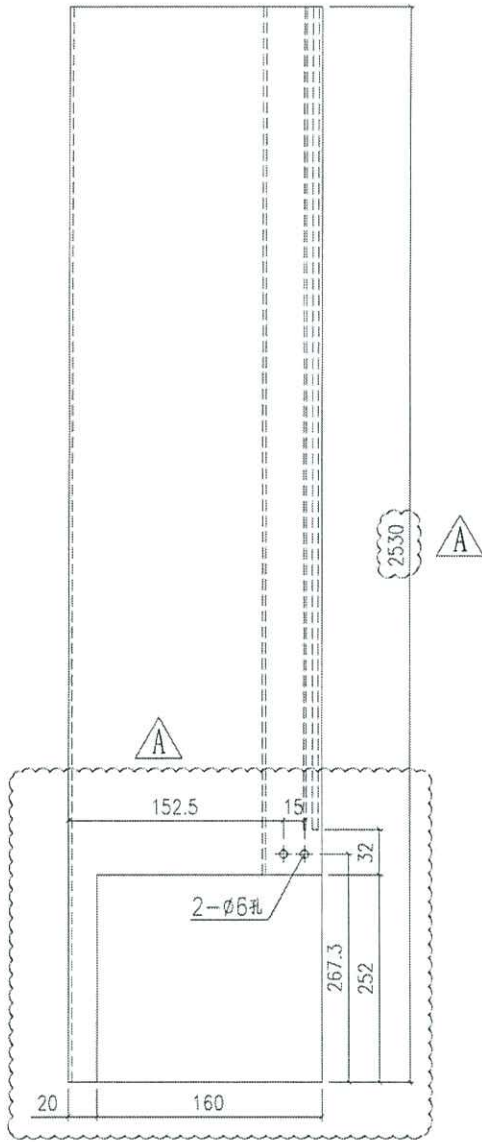
發件人簽署：

項目經理簽署：



美特鋁質 有限公司  
MIDI Aluminium Fabricator Ltd.

工程號 J858 地盤 將軍澳 康城11期



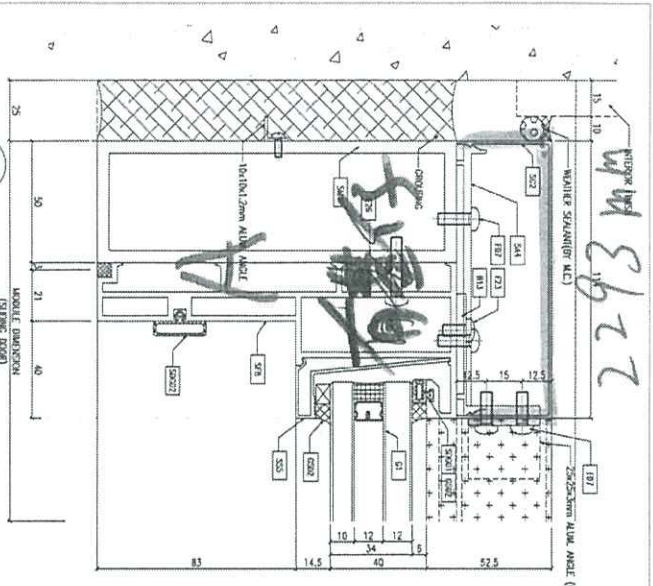
*Handwritten notes:*  
 6x6x32  
 此材料  
 全部留待  
 開架

*Handwritten mark:* 中

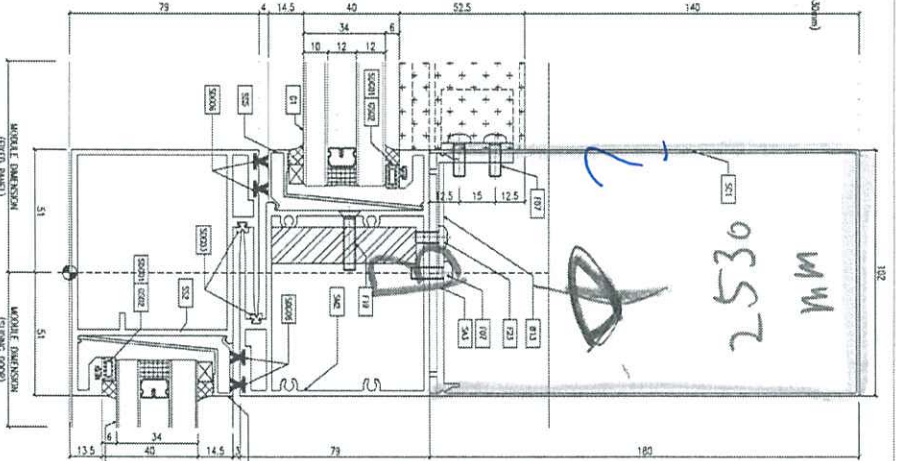
产品编号 X86320-SD01L

产品编号 X86320-SD0

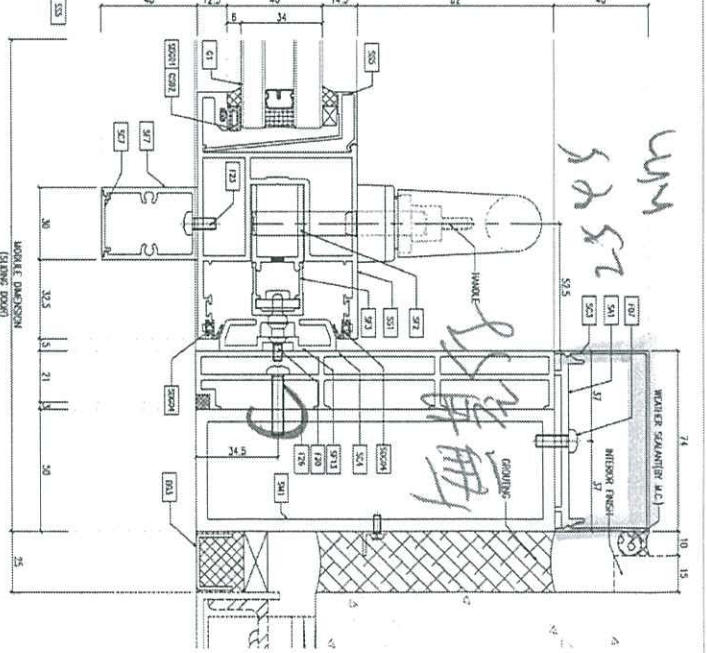
名稱	室內蓋加工圖	制圖	Jack	2023-01-12	修改	△
材料	X86320	復核			日期	20230106
顏色	ECD3X1009 9S-XF1	批准			圖號	X86320-SD01



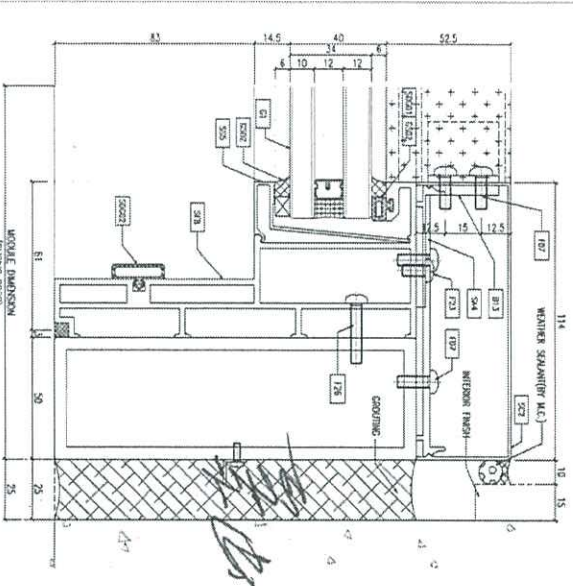
2293 mm



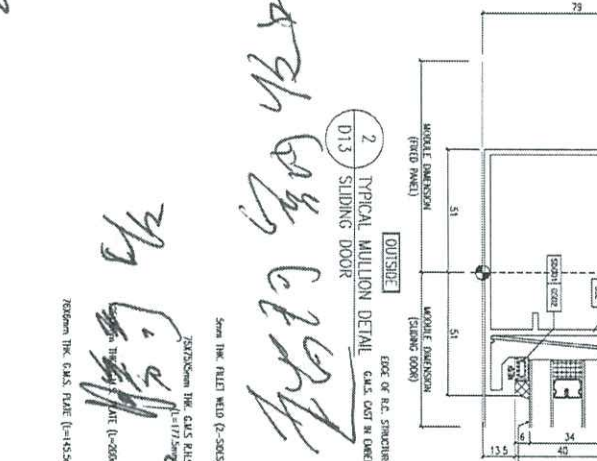
2530 mm



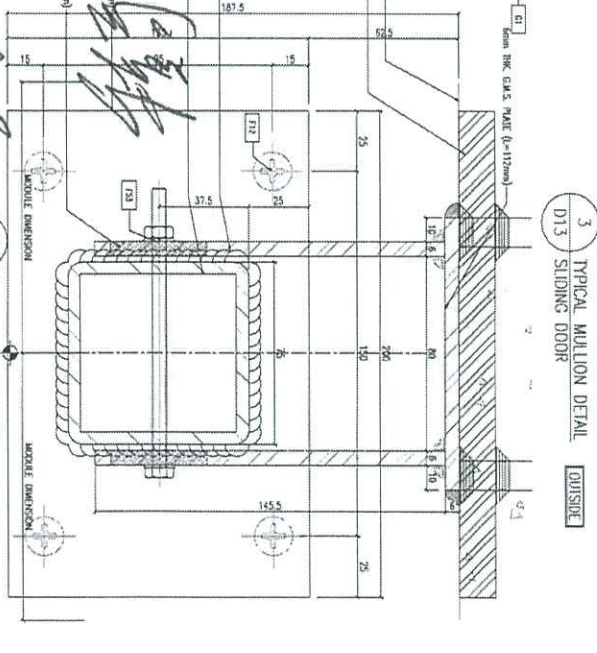
2542 mm



2293 mm



2293 mm



2293 mm

<p>REVISIONS:</p> <table border="1"> <tr> <th>NO.</th> <th>DATE</th> <th>DESCRIPTION</th> </tr> <tr> <td>1</td> <td>15/07/2011</td> <td>ISSUED AS FOR COMMENTS</td> </tr> <tr> <td>2</td> <td>15/07/2011</td> <td>ISSUED AS FOR COMMENTS</td> </tr> <tr> <td>3</td> <td>15/07/2011</td> <td>ISSUED AS FOR COMMENTS</td> </tr> <tr> <td>4</td> <td>15/07/2011</td> <td>ISSUED AS FOR COMMENTS</td> </tr> <tr> <td>5</td> <td>15/07/2011</td> <td>ISSUED AS FOR COMMENTS</td> </tr> <tr> <td>6</td> <td>15/07/2011</td> <td>ISSUED AS FOR COMMENTS</td> </tr> <tr> <td>7</td> <td>15/07/2011</td> <td>ISSUED AS FOR COMMENTS</td> </tr> <tr> <td>8</td> <td>15/07/2011</td> <td>ISSUED AS FOR COMMENTS</td> </tr> <tr> <td>9</td> <td>15/07/2011</td> <td>ISSUED AS FOR COMMENTS</td> </tr> <tr> <td>10</td> <td>15/07/2011</td> <td>ISSUED AS FOR COMMENTS</td> </tr> </table>	NO.	DATE	DESCRIPTION	1	15/07/2011	ISSUED AS FOR COMMENTS	2	15/07/2011	ISSUED AS FOR COMMENTS	3	15/07/2011	ISSUED AS FOR COMMENTS	4	15/07/2011	ISSUED AS FOR COMMENTS	5	15/07/2011	ISSUED AS FOR COMMENTS	6	15/07/2011	ISSUED AS FOR COMMENTS	7	15/07/2011	ISSUED AS FOR COMMENTS	8	15/07/2011	ISSUED AS FOR COMMENTS	9	15/07/2011	ISSUED AS FOR COMMENTS	10	15/07/2011	ISSUED AS FOR COMMENTS	<p>PROJECT: HONGKONG AIRPORT, AIRPORT CONSTRUCTION AT NORTH TOWER, PHASE 11, LUNGS PARK, HONG KONG, P. R. CHINA.</p> <p>DATE: 27-01-11 SCALE: 1:10(1)</p> <p>TITLE: TYPICAL MULLION DETAIL FOR CURTAIN WALL</p> <p>DESIGNED BY: [Signature]</p> <p>CHECKED BY: [Signature]</p> <p>DATE: 27-01-11</p> <p>REV: E</p>	<p>CLIENT: 香港机场有限公司 Sino Duty Company Limited</p> <p>ARCHITECT: Ronald Lu &amp; Partners R&amp;P Architects (HK) Ltd. R&amp;P Architects (China) Co., Ltd.</p> <p>MAIN CONSULTING: [Signature]</p> <p>STRUCTURAL ENGINEER: Gammon AECOM</p> <p>FAHCE CONSULTING: AECOM</p>	<p>NOTE:</p> <ol style="list-style-type: none"> <li>ALL DIMENSIONS ARE IN mm.</li> <li>ALL DIMENSIONS ARE VERIFIED FROM OUTSIDE BEFORE FABRICATION.</li> <li>ALL DIMENSIONS TO BE VERIFIED ON SITE BEFORE FABRICATION.</li> </ol> <p>LEGEND:</p> <p>1. RETAIN WALL NO.</p> <p>2. REFER SHEET NO.</p> <p>3. FFL - FINISHED FLOOR LEVEL</p> <p>4. SFL - STRUCTURAL FLOOR LEVEL</p> <p>5. RFL - REVERSED FLOOR DETAIL</p>
NO.	DATE	DESCRIPTION																																		
1	15/07/2011	ISSUED AS FOR COMMENTS																																		
2	15/07/2011	ISSUED AS FOR COMMENTS																																		
3	15/07/2011	ISSUED AS FOR COMMENTS																																		
4	15/07/2011	ISSUED AS FOR COMMENTS																																		
5	15/07/2011	ISSUED AS FOR COMMENTS																																		
6	15/07/2011	ISSUED AS FOR COMMENTS																																		
7	15/07/2011	ISSUED AS FOR COMMENTS																																		
8	15/07/2011	ISSUED AS FOR COMMENTS																																		
9	15/07/2011	ISSUED AS FOR COMMENTS																																		
10	15/07/2011	ISSUED AS FOR COMMENTS																																		

