

工程指示 / 要求簡箋(E.I.)

工程指示編號：EI / 5018 / 22 修改版次：-  
 工程編號：J - 858 工程名稱：將軍澳日出康城  
 工程項目：T1 Glass Cladding 廠用玻璃 BM (9/F-60/F)  
 收件人：生統 / Maggie 發件人：Ant Yeung 日期：23 / 08 / 2022

要求提供 /  確認 事項：

- |                                    |                                     |                               |
|------------------------------------|-------------------------------------|-------------------------------|
| <input type="checkbox"/> 初步鋁料 B.M. | <input type="checkbox"/> 加工拆圖，然後生產  | <input type="checkbox"/> 尺寸表  |
| <input type="checkbox"/> 正式鋁料 B.M. | <input type="checkbox"/> 技術上資料 / 指示 | <input type="checkbox"/> 報價   |
| <input type="checkbox"/> 配件 B.M.   | <input type="checkbox"/> 樣辦或貨品說明書   | <input type="checkbox"/> 分判合約 |

內容：

請按玻璃 BM 生產玻璃送廠。 T1 (9/F -60/F)

1. 附上玻璃出貨表，請按出貨表排期生產和包箱 首批出貨到廠 2022.09.20

見玻璃出貨表 Excel

2. 11/F 和 40/F 隔火層 請獨立包箱，廠留意收貨 11/F, 40/F 的玻璃有不同。

3. T1 61/F 和 62/F 先暫停。

謝謝

HS 片 用 熱 浸 沒 有 智 能 控 件

請在 2022. 09. 20 前完成上列要求。

附：

以上項目為：

- 原合約工程包  原合約工程加 / 減賬  新工程報價

分發東莞各部門：

- |  |  |  |  |
|--|--|--|--|
| <input type="checkbox"/> 生產技術總監 <input type="checkbox"/> 連附件 | <input type="checkbox"/> 技術部 <input type="checkbox"/> 連附件              | <input type="checkbox"/> 生產部 <input type="checkbox"/> 連附件    | <input type="checkbox"/> 機械設計部 <input type="checkbox"/> 連附件        |
| <input type="checkbox"/> 採購部 <input type="checkbox"/> 連附件    | <input checked="" type="checkbox"/> 生產統籌部 <input type="checkbox"/> 連附件 | <input type="checkbox"/> 小羅 & 清 <input type="checkbox"/> 連附件 |  |
| <input type="checkbox"/> 質檢部 <input type="checkbox"/> 連附件    | <input type="checkbox"/> 會計部 <input type="checkbox"/> 連附件              | <input type="checkbox"/> 報關組 <input type="checkbox"/> 連附件    | <input type="checkbox"/> 其他 <u>水洪</u> <input type="checkbox"/> 連附件 |

分發其他分判：

連附件 檳

分發香港各部門：

- |  |  |   |  |
|--|--|---|--|
| <input type="checkbox"/> 行政部 <input type="checkbox"/> 連附件            | <input type="checkbox"/> 會計部 <input type="checkbox"/> 連附件  | <input type="checkbox"/> 統籌部 <input type="checkbox"/> 連附件 | <input type="checkbox"/> 工程部地盤科文 <input type="checkbox"/> 連附件  |
| <input checked="" type="checkbox"/> 採購部 <input type="checkbox"/> 連附件 | <input type="checkbox"/> QS 部 <input type="checkbox"/> 連附件 | <input type="checkbox"/> 維修部 <input type="checkbox"/> 連附件 | <input type="checkbox"/> 其他 _____ <input type="checkbox"/> 連附件 |

傳遞編號：

HK 1394 / 22

發件人簽署：

項目經理簽署：

J858康城11期单元幕墙玻璃分层统计表 (T1-Glass cladding)

工程: J858康城11期 (T1)

日期: 22-Jun-22

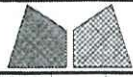
封表

序号	玻璃编号	玻璃类型	玻璃尺寸			单面积 (m2)	分层数量					总数量	备注	总面积 (m2)		
			W(mm)	x	H(mm)		9F(10,12~16,18~20,22~25,27~29,31~33,36~38,41~42,45~47,49~51,53~56,58~60F相同, 共34层)	11F	40F	17F(21,26,30,35,39,43,48,52,57F相同, 共10层)	61F				62F	
1	GL03-62	GL03	592	x	2331	1.38	68			20			88	送工厂	121.4	
2	GL03-63	GL03	592	x	2281	1.35		2	2				4	送工厂	5.4	
3	GL03-64	GL03	592	x	576	0.34	68	2	2	20			92	送工厂	31.4	
4	GL03-65	GL03	773	x	2331	1.80	34			10			44	送工厂	79.3	
5	GL03-66	GL03	773	x	2281	1.76		1	1				2	送工厂	3.5	
6	GL03-67	GL03	773	x	841	0.65	34		1				35	送工厂	22.8	
7	GL03-68	GL03	773	x	576	0.45		1		10			11	送工厂	4.9	
8	GL03-72	GL03	798	x	576	0.46		1		10			11	送工厂	5.1	
9	GL03-73	GL03	597	x	2331	1.39	68			20			88	送工厂	122.5	
10	GL03-74	GL03	597	x	2281	1.36		2	2				4	送工厂	5.4	
11	GL03-75	GL03	597	x	841	0.50	68		2				70	送工厂	35.1	
12	GL03-76	GL03	798	x	2331	1.86	68			20			88	送工厂	163.7	
13	GL03-77	GL03	798	x	2281	1.82		2	2				4	送工厂	7.3	
14	GL03-78	GL03	798	x	841	0.67	68		2				70	送工厂	47.0	
15	GL03-79	GL03	798	x	311	0.25		1		10		1	12	送工厂	3.0	
16	GL03-80	GL03	1043	x	2331	2.43	34			10			44	送工厂	107.0	
17	GL03-81	GL03	1043	x	2281	2.38		1	1				2	送工厂	4.8	
18	GL03-82	GL03	1043	x	841	0.88	34		1				35	送工厂	30.7	
19	GL03-83	GL03	1043	x	311	0.32		1		10			11	送工厂	3.6	
20	GL03-114	GL03	597	x	311	0.19		2		20		2	24	送工厂	4.5	
21	GL03-121	GL03	592	x	2531	1.50						2	2	送工厂	3.0	
22	GL03-122	GL03	773	x	2531	1.96						1	1	送工厂	2.0	
23	GL03-123	GL03	798	x	2531	2.02						2	1	3	送工厂	6.1
24	GL03-124	GL03	592	x	528	0.31						2		2	送工厂	0.6
25	GL03-125	GL03	773	x	528	0.41						1		1	送工厂	0.4
26	GL03-126	GL03	798	x	528	0.42						1	1	2	送工厂	0.8
27	GL03-127	GL03	597	x	2531	1.51						2	2	4	送工厂	6.0
28	GL03-128	GL03	1043	x	2531	2.64						1	1	2	送工厂	5.3
29	GL03-129	GL03	1043	x	311	0.32						1		1	送工厂	0.3
30	GL03-130	GL03	1043	x	528	0.55							1	1	送工厂	0.6
31	GL03-131	GL03	597	x	528	0.32							2	2	送工厂	0.6
						总数量	544	16	16	160	16	8	760		833.9	

暂停  
暂停  
暂停  
暂停  
暂停  
暂停  
暂停  
暂停  
暂停  
暂停

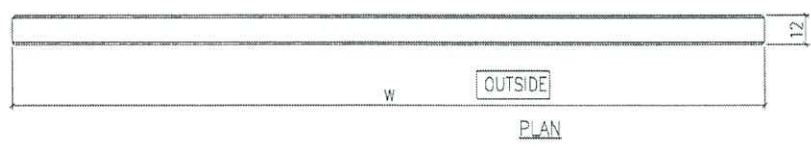
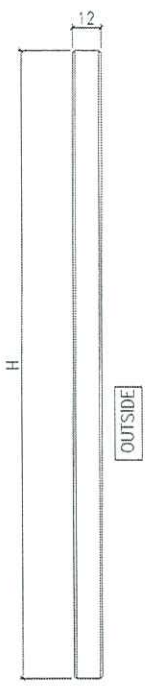
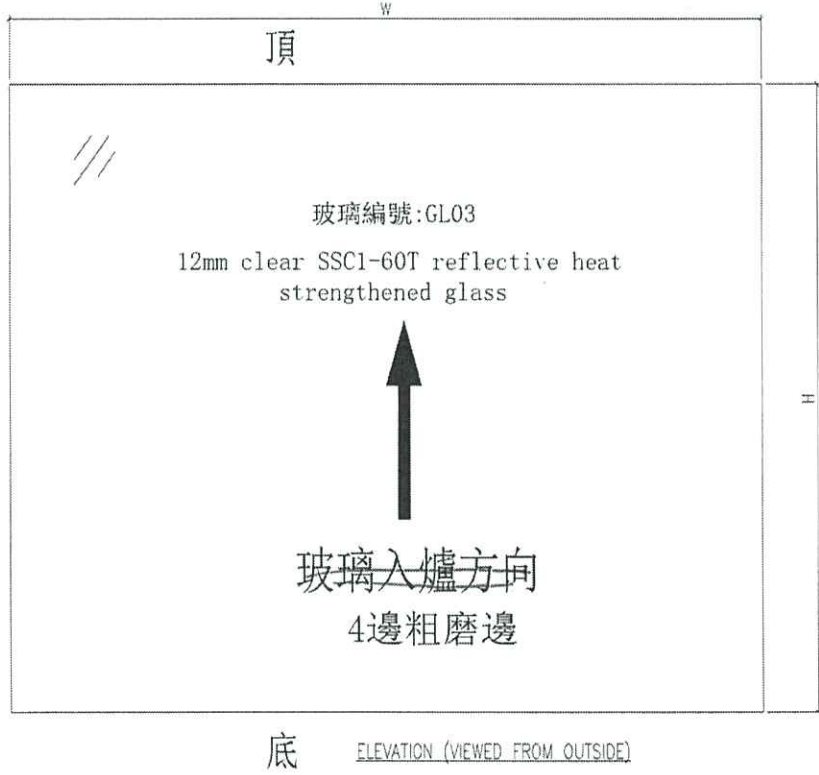
注:

1	GL03	12mm clear (SSC1-60T) reflective heat strengthened glass (R20220324054)
---	------	---



美特鋁質有限公司  
MIDI Aluminium Fabricator Ltd.

工程號	J858	類別		物料號	-
地盘	康城11期	制圖	W. E. X	2022-05-12	圖號 J858-GL03
修改	-	採用工廠	✓	地盤	-
日期	-	材料颜色	-	圖紙名称	玻璃加工图
		材料	-	復核	-
				批准	-
				數量	-
				單件重量	- (KG)



承辦

生产厂编号: R20220324054

- NOTES
1. ALL DIMENSION IN mm
  2. ALL EDGE CHAMFER 1x1x45°

G3





**MIDI ALUMINIUM FABRICATOR LTD.**

Units 6, 7, 8 Sunray Industrial Centre, 1st Floor, 610 Cha Kwo Ling Road Kowloon.

Project : T.K.O.T.L. 70 RP, Phase 11, LOHAS Park, Tseung Kwan O, N.T.

Subject : 12mm Reflective Glass (12SSC1-60THS) Sample (MS035)

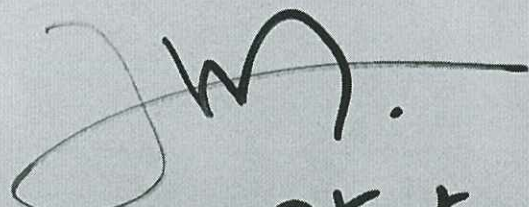
Brand : Guangdong Haikong Special Glass Technology Co. Ltd.

Glass Code : R20220324054

Location : CW Spandrel Glass and Glass Cladding

Letter ref. : MC/41267/858

Date : 12<sup>th</sup> May 2022

  
25.5.2022

J858康城11期单元幕墙玻璃分层统计表 (T1-Glass cladding)

工程: J858康城11期 (T1)

日期: 22-Jun-22

总 = 10

序号	玻璃编号	玻璃类型	玻璃尺寸			单面积 (m2)	分层数量					总数量	备注			
			W(mm)	x	H(mm)		9F(10,12~16,18~20,22~25,27~29,31~33,36~38,41~42,45~47,49~51,53~56,58~60F相同, 共34层)	11F	40F	17F(21,26,30,35,39,43,48,52,57F相同, 共10层)	61F			62F		
1	GL03-62	GL03	592	x	2331	1.38	68			20			88	送工厂		
2	GL03-63	GL03	592	x	2281	1.35		2	2				4	送工厂		
3	GL03-64	GL03	592	x	576	0.34	68	2	2	20			92	送工厂		
4	GL03-65	GL03	773	x	2331	1.80	34			10			44	送工厂		
5	GL03-66	GL03	773	x	2281	1.76		1	1				2	送工厂		
6	GL03-67	GL03	773	x	841	0.65	34						35	送工厂		
7	GL03-68	GL03	773	x	576	0.45		1		10			11	送工厂		
8	GL03-72	GL03	798	x	576	0.46		1		10			11	送工厂		
9	GL03-73	GL03	597	x	2331	1.39	68			20			88	送工厂		
10	GL03-74	GL03	597	x	2281	1.36		2	2				4	送工厂		
11	GL03-75	GL03	597	x	841	0.50	68		2				70	送工厂		
12	GL03-76	GL03	798	x	2331	1.86	68			20			88	送工厂		
13	GL03-77	GL03	798	x	2281	1.82		2	2				4	送工厂		
14	GL03-78	GL03	798	x	841	0.67	68		2				70	送工厂		
15	GL03-79	GL03	798	x	311	0.25		1		10		1	12	送工厂		
16	GL03-80	GL03	1043	x	2331	2.43	34			10			44	送工厂		
17	GL03-81	GL03	1043	x	2281	2.38		1	1				2	送工厂		
18	GL03-82	GL03	1043	x	841	0.88	34			1			35	送工厂		
19	GL03-83	GL03	1043	x	311	0.32		1		10			11	送工厂		
20	GL03-114	GL03	597	x	311	0.19		2		20		2	24	送工厂		
21	GL03-121	GL03	592	x	2531	1.50						2	2	送工厂		
22	GL03-122	GL03	773	x	2531	1.96						1	1	送工厂		
23	GL03-123	GL03	798	x	2531	2.02						2	1	3 送工厂		
24	GL03-124	GL03	592	x	528	0.31						2	2	送工厂		
25	GL03-125	GL03	773	x	528	0.41						1	1	送工厂		
26	GL03-126	GL03	798	x	528	0.42						1	1	2 送工厂		
27	GL03-127	GL03	597	x	2531	1.51						2	2	4 送工厂		
28	GL03-128	GL03	1043	x	2531	2.64						1	1	2 送工厂		
29	GL03-129	GL03	1043	x	311	0.32						1	1	送工厂		
30	GL03-130	GL03	1043	x	528	0.55							1	1 送工厂		
31	GL03-131	GL03	597	x	528	0.32						2	2	送工厂		
						总数量	544		16	16	160		16	8	760	

总面积 (m2)
121.4
5.4
31.4
79.3
3.5
22.8
4.9
5.1
122.5
5.4
35.1
163.7
7.3
47.0
3.0
107.0
4.8
30.7
3.6
4.5
3.0
2.0
6.1
0.6
0.4
0.8
6.0
5.3
0.3
0.6
0.6
833.9

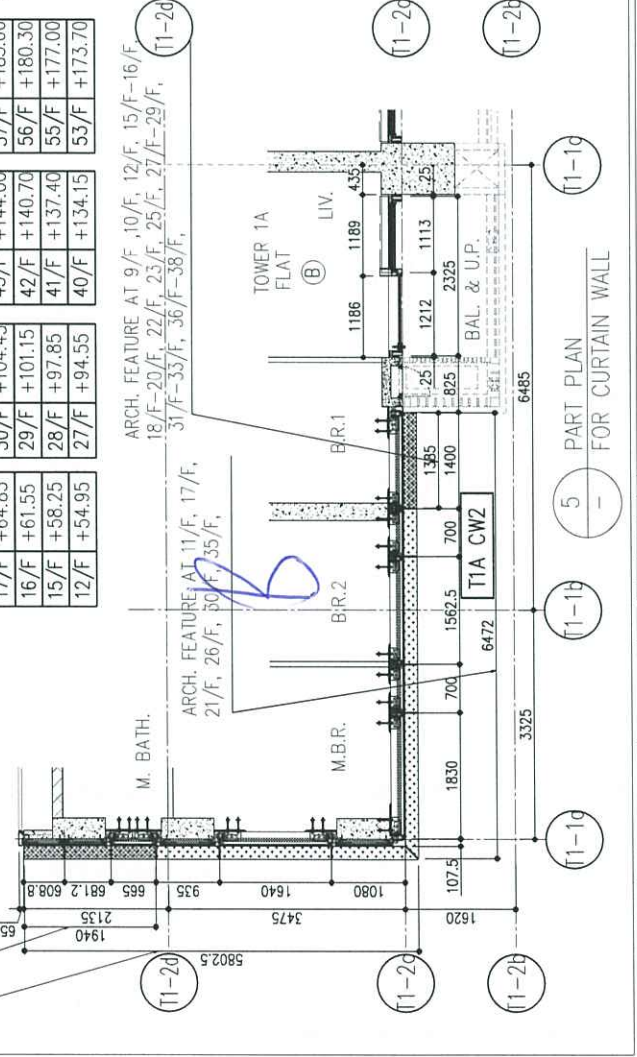
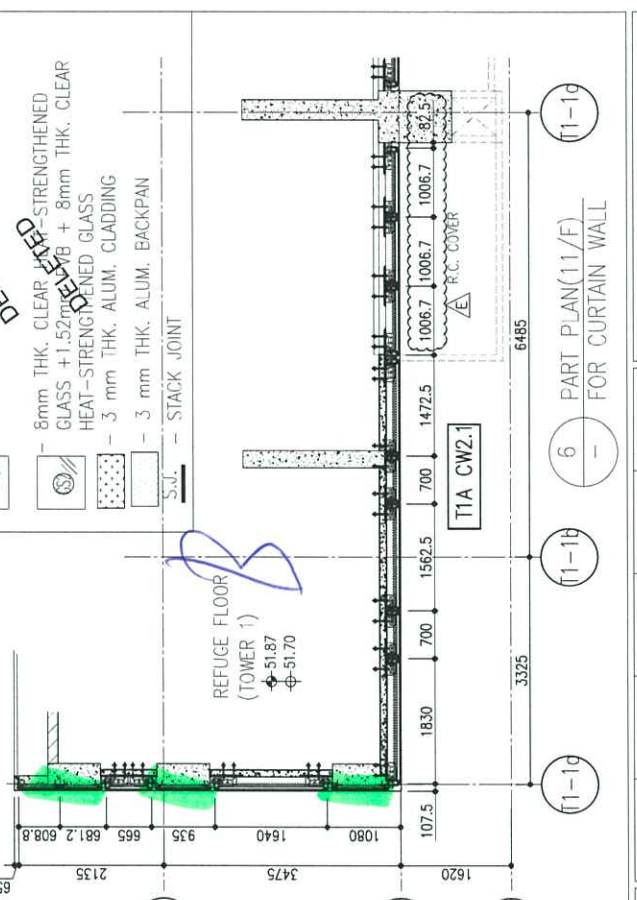
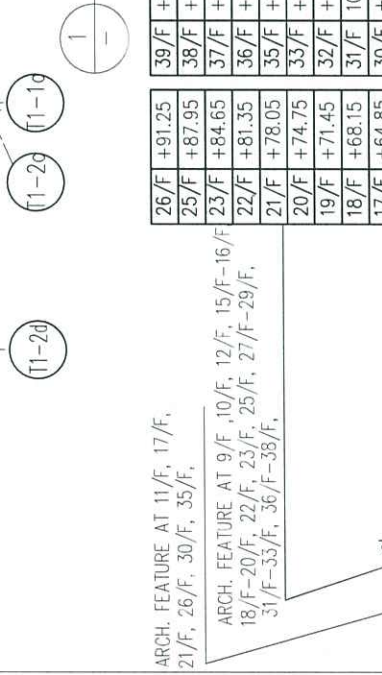
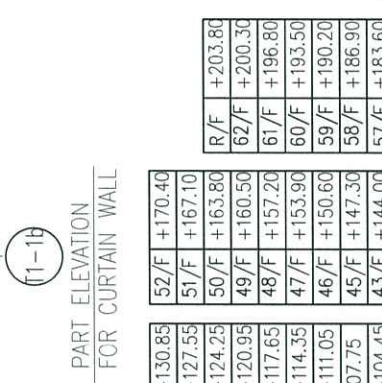
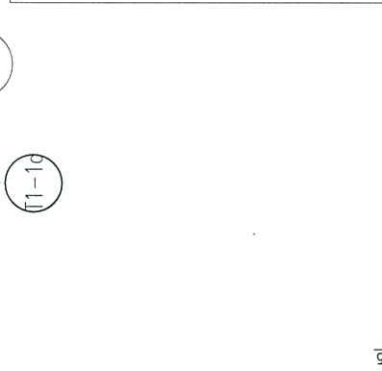
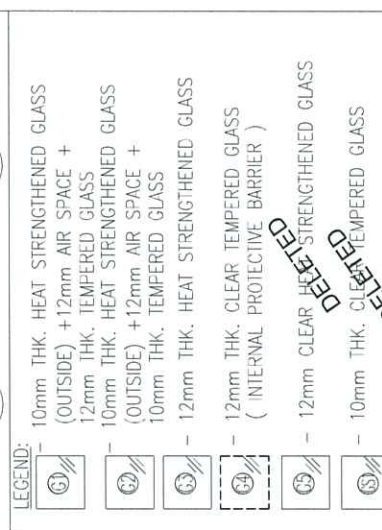
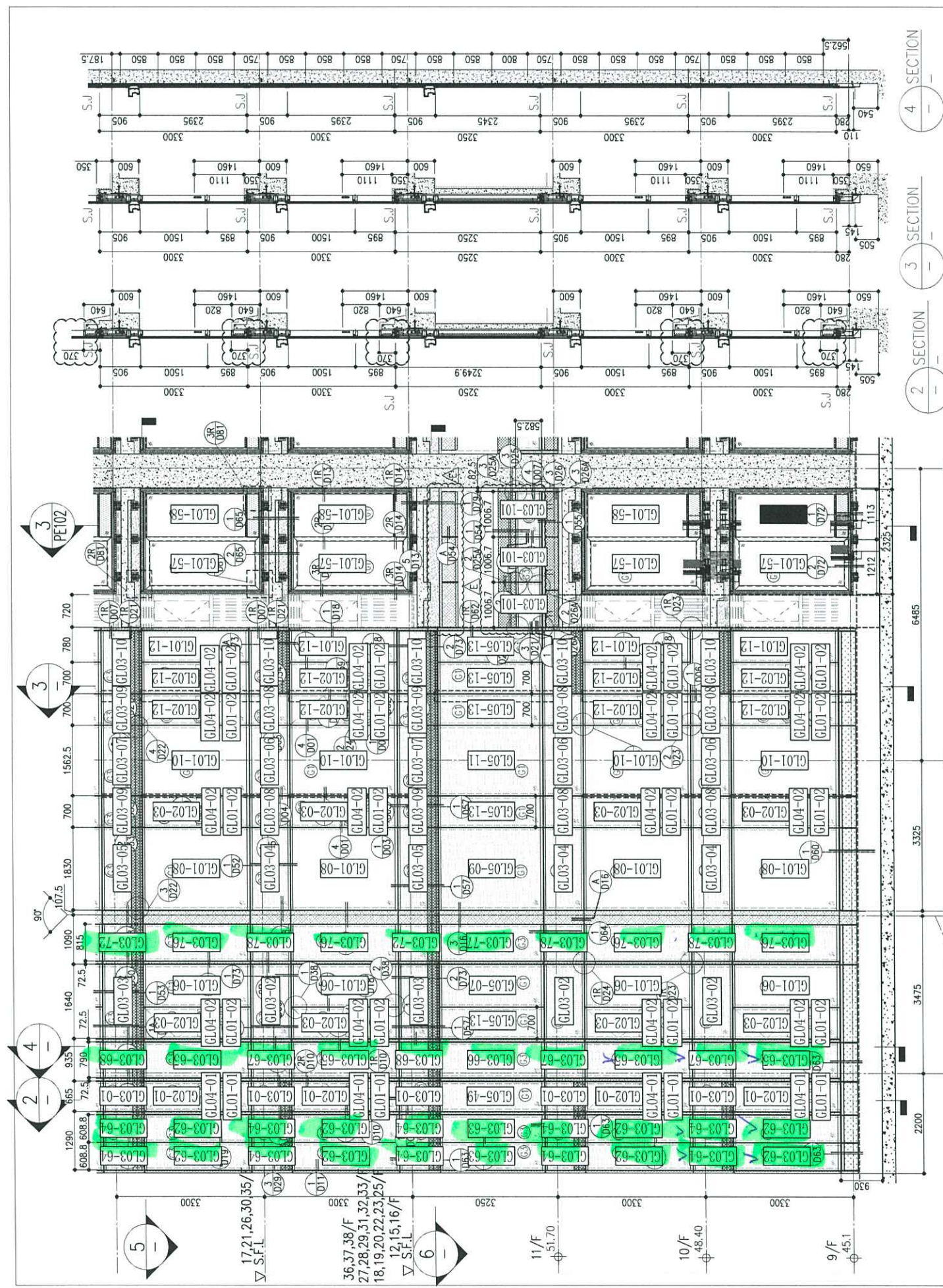
5PP  
2333  
843  
60  
1043  
暂停  
暂停  
暂停  
暂停  
暂停  
暂停  
暂停  
暂停  
暂停  
暂停  
暂停

520  
2331  
x-1

注:  
1 GL03 12mm clear SSC1-60T reflective heat strengthened glass (R20220324054)  
12mm 12SSC1-60HS 反光片

check  $\frac{1}{2} \frac{316}{2}$

1	311	2282	429
2	528		
3	576	no	feeder
4	84		+
5	2281		11.40
6	2331		+
7	2531		54



26/F	+91.25	39/F	+130.85	52/F	+170.40
25/F	+87.95	38/F	+127.55	51/F	+167.10
23/F	+84.65	37/F	+124.25	50/F	+163.80
22/F	+81.35	36/F	+120.95	49/F	+160.50
21/F	+78.05	35/F	+117.65	48/F	+157.20
20/F	+74.75	33/F	+114.35	47/F	+153.90
19/F	+71.45	32/F	+111.05	46/F	+150.60
18/F	+68.15	31/F	+107.75	45/F	+147.30
17/F	+64.85	30/F	+104.45	43/F	+144.00
16/F	+61.55	29/F	+101.15	42/F	+140.70
15/F	+58.25	28/F	+97.85	41/F	+137.40
12/F	+54.95	27/F	+94.55	40/F	+134.15

ARCH. FEATURE AT 11/F, 17/F,  
21/F, 26/F, 30/F, 35/F,  
31/F-35/F, 36/F-38/F,  
ARCH. FEATURE AT 9/F, 10/F, 12/F, 15/F-16/F,  
18/F-20/F, 22/F, 23/F, 25/F, 27/F-29/F,  
31/F-35/F, 36/F-38/F.

B.D. REF: 0000 711 0000

CLIENT: 信和置業有限公司 Sino Land Company Limited

ARCHITECT: ronald lu & partners Architects - Planners - Interior Designers Ronald Lu & Partners (HK) Ltd. 呂元祥建築師事務所 (香港) 有限公司

MAIN CONTRACTOR: Gammon

STRUCTURAL ENGINEER: AECOM

FAÇADE CONSULTANT: AECOM

NOTE:  
1. ALL DIMENSIONS ARE IN MM.  
2. ALL ELEVATIONS ARE VIEWED FROM OUTSIDE.  
3. ALL DIMENSIONS TO BE VERIFIED ON SITE BEFORE FABRICATION.

LEGEND:  
X1 - DETAIL MARK NO.  
X001 - REFER SHEET NO.

1. F.F.L. --- FINISHED FLOOR LEVEL  
2. S.F.L. --- STRUCTURAL FLOOR LEVEL  
3. Ⓜ --- REVERSED DETAIL

NO	DATE	REVISED	BY
E	23/05/22	REVISED AS PER COMMENTS	LS
D	06/04/22	REVISED AS PER COMMENTS	LS
C	24/01/22	REVISED AS PER COMMENTS	LS
B	20/12/21	REVISED AS PER COMMENTS	LS
A	03/12/21	REVISED AS PER COMMENTS	LS

JOB NO.: J-858

PROJECT: PROPOSED RESIDENTIAL DEVELOPMENT AT TKOIL 70RP, PHASE 11, LOHAS PARK TSEUNG KWAN O, N.T.

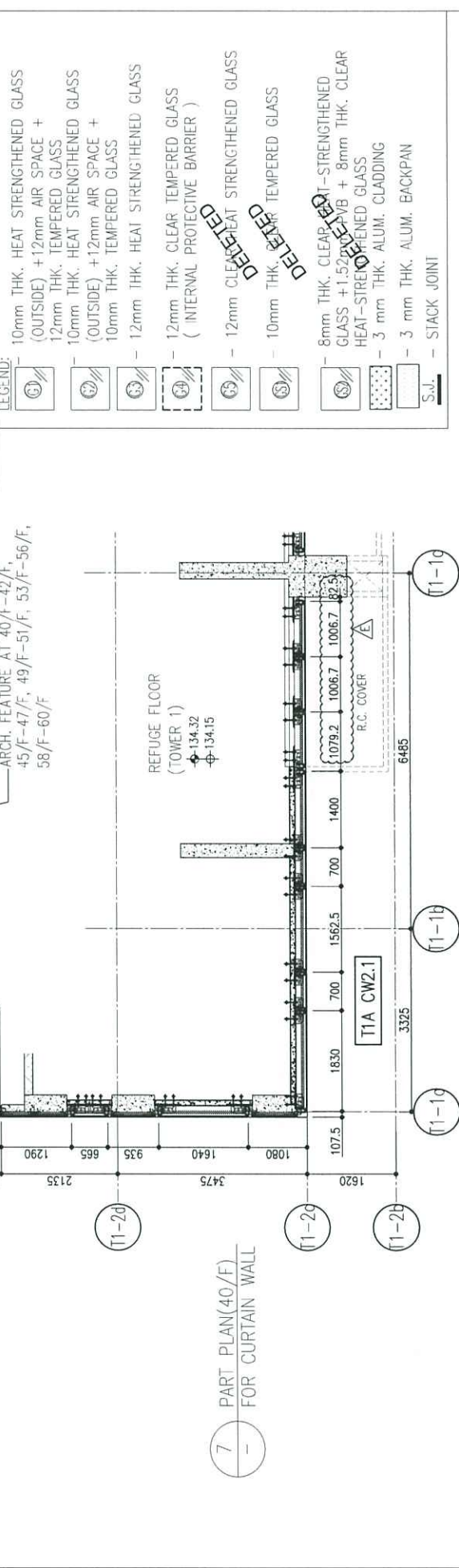
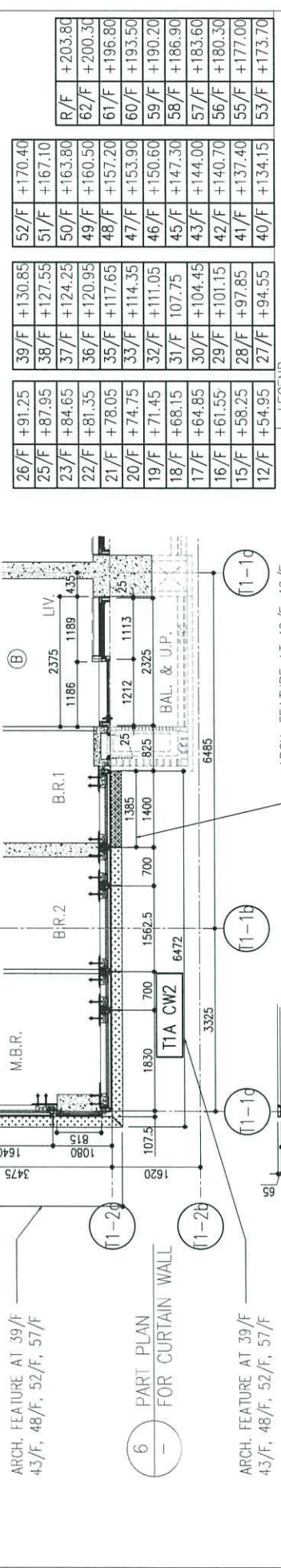
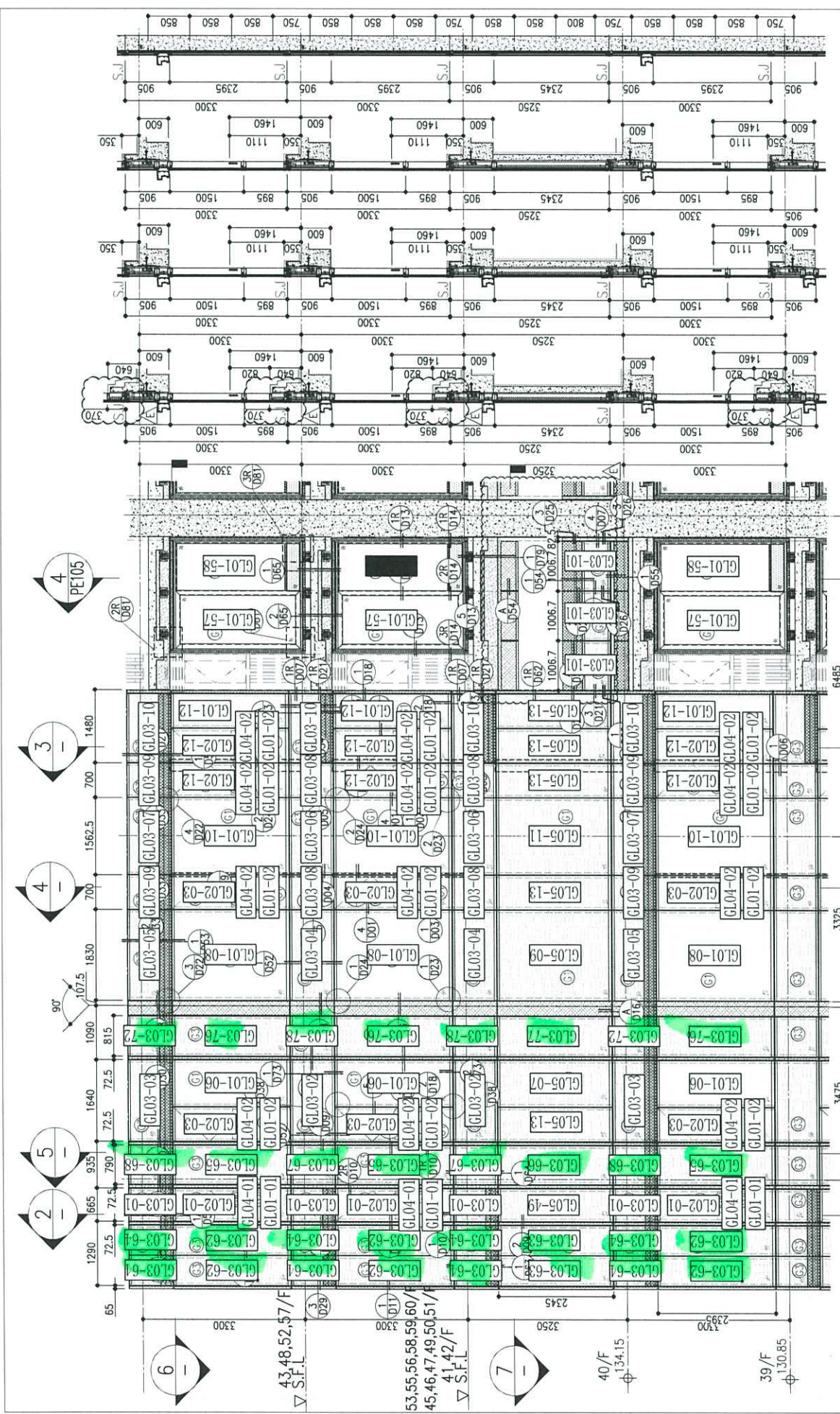
TITLE: TYPICAL FLOOR PARTIAL ELEVATION & SECTION, PLAN FOR CURTAIN WALL (TOWER 1)

DATE: 22-OCT-21 SCALE: 1:50(A1)

DRAWN BY: CHECKED BY:

美特鋁質有限公司 MIDI ALUMINIUM FABRICATOR LTD. Units 6-8, Sunray Industrial Centre, 1/F 610 Cha Kwo Ling Road, Kowloon Tel:23489211-4 Fax:(852)2727666

DWG NO.: J858-CW-PE101 REV.: E



26/F	+91.25	39/F	+130.85	52/F	+170.40	62/F	+203.80
25/F	+87.95	38/F	+127.55	51/F	+167.10	61/F	+200.30
23/F	+84.65	37/F	+124.25	50/F	+163.80	60/F	+196.80
22/F	+81.35	36/F	+120.95	49/F	+160.50	59/F	+193.50
21/F	+78.05	35/F	+117.65	48/F	+157.20	58/F	+190.20
20/F	+74.75	33/F	+114.35	47/F	+153.90	57/F	+186.90
19/F	+71.45	32/F	+111.05	46/F	+150.60	56/F	+183.60
18/F	+68.15	31/F	+107.75	45/F	+147.30	55/F	+177.00
17/F	+64.85	30/F	+104.45	44/F	+144.00	54/F	+173.70
16/F	+61.55	29/F	+101.15	43/F	+140.70		
15/F	+58.25	28/F	+97.85	42/F	+137.40		
12/F	+54.95	27/F	+94.55	40/F	+134.15		

LEGEND:

- (C1) 10mm THK. HEAT STRENGTHENED GLASS (OUTSIDE) + 12mm AIR SPACE + 12mm THK. TEMPERED GLASS
- (C2) 10mm THK. HEAT STRENGTHENED GLASS (OUTSIDE) + 12mm AIR SPACE + 10mm THK. TEMPERED GLASS
- (C3) 12mm THK. HEAT STRENGTHENED GLASS (INTERNAL PROTECTIVE BARRIER)
- (C4) 12mm CLEAR HEAT STRENGTHENED GLASS
- (C5) 10mm THK. TEMPERED GLASS
- (C6) 8mm THK. CLEAR HEAT-STRENGTHENED GLASS + 1.52mm PVB + 8mm THK. CLEAR HEAT-STRENGTHENED GLASS
- (C7) 3 mm THK. ALUM. BACKPAN
- S.J. - STACK JOINT

B.D. REF :

CLIENT : 信和置業有限公司 Sino Land Company Limited

ARCHITECT : ronald lu & partners Architects Planners Interior Designers Ronald Lu & Partners (HK) Ltd. 呂元祥建築師事務所 (香港) 有限公司

MAIN CONTRACTOR : Gammon STRUCTURAL ENGINEER : AECOM FACADE CONSULTANT : AECOM

NOTE :

- ALL DIMENSIONS ARE IN mm.
- ALL ELEVATIONS ARE VIEWED FROM OUTSIDE.
- ALL DIMENSIONS TO BE VERIFIED ON SITE BEFORE FABRICATION.

LEGEND :

- (X1) DETAIL MARK NO.
- (R001) REFER SHEET NO.
- F.F.L. --- FINISHED FLOOR LEVEL
- S.F.L. --- STRUCTURAL FLOOR LEVEL
- (R) --- REVERSED DETAIL

E	23/05/22	REVISED AS PER COMMENTS	LS
D	06/04/22	REVISED AS PER COMMENTS	LS
C	24/01/22	REVISED AS PER COMMENTS	LS
B	20/12/21	REVISED AS PER COMMENTS	LS
A	03/12/21	REVISED AS PER COMMENTS	LS
NO.	DATE	REVISED	BY

JOB NO. : J-858

PROJECT : PROPOSED RESIDENTIAL DEVELOPMENT AT TKOTL 70RP, PHASE 11, LCHAS PARK TSEUNG KWAN O, N.T.

TITLE : TYPICAL FLOOR PARTIAL ELEVATION & SECTION, PLAN FOR CURTAIN WALL (TOWER 1)

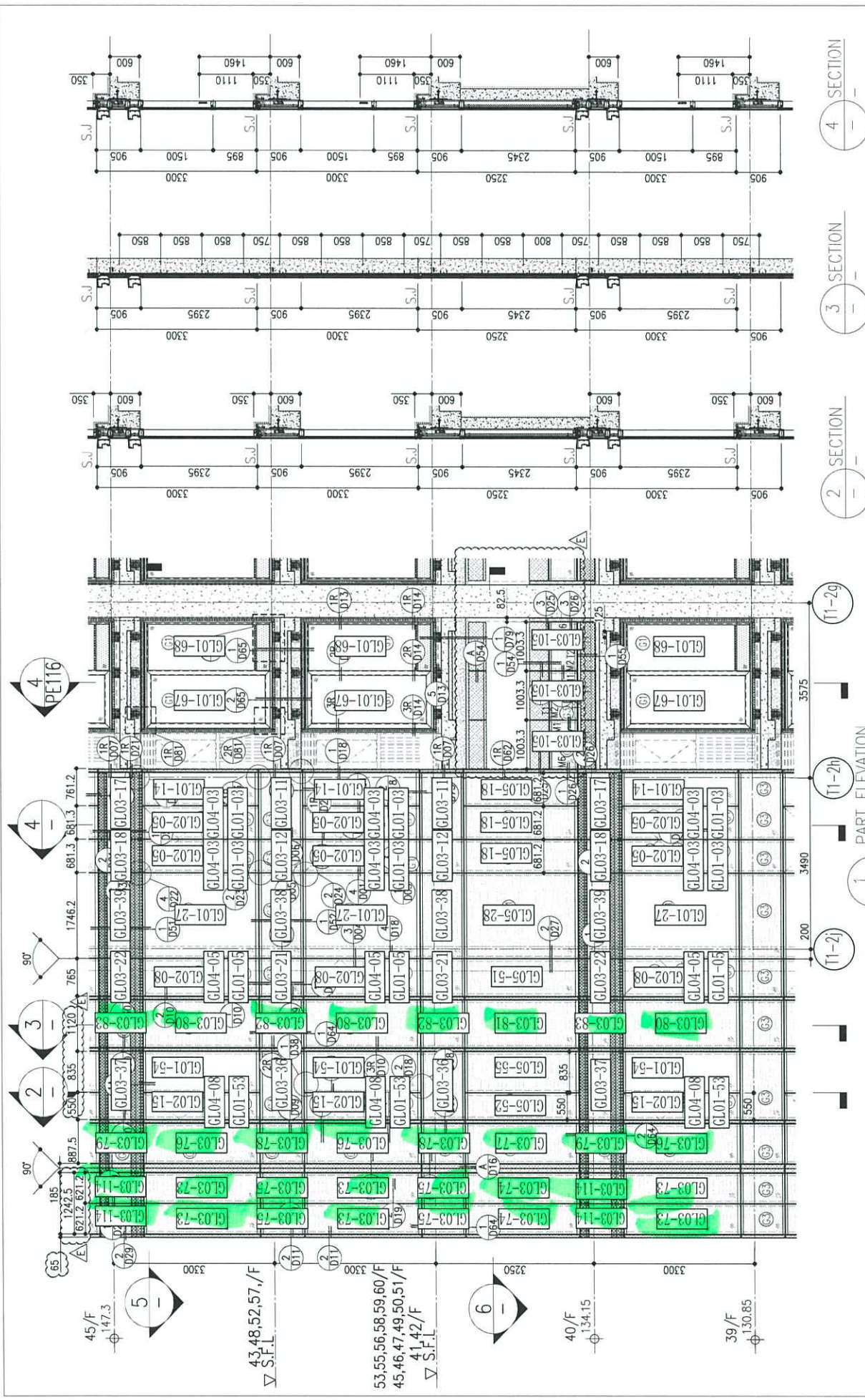
DATE : 22-OCT-21 SCALE : 1:50(A1)

DRAWN BY : CHECKED BY :

美特鋁質有限公司 MIDI ALUMINIUM FABRICATOR LTD. Units 6-8, Sunray Industrial Centre, 1/F 610 Cha Kwo Ling Road, Kowloon Tel:23489211-4 Fax:(852)2727666

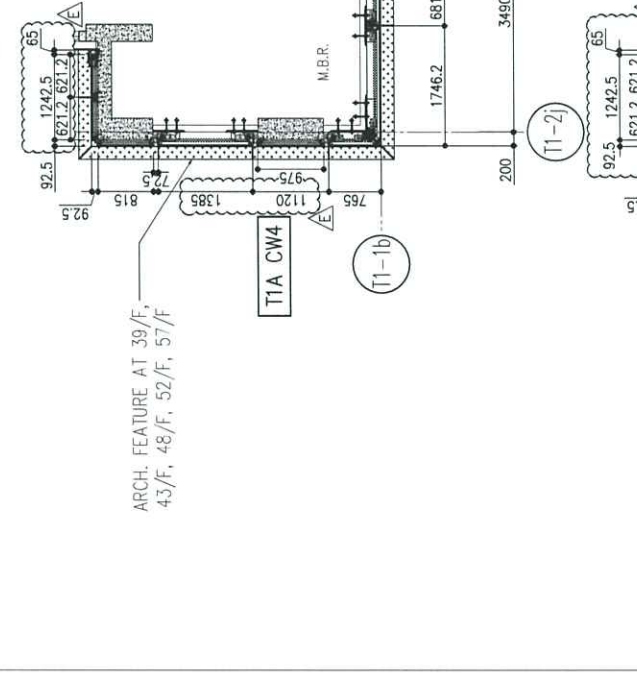
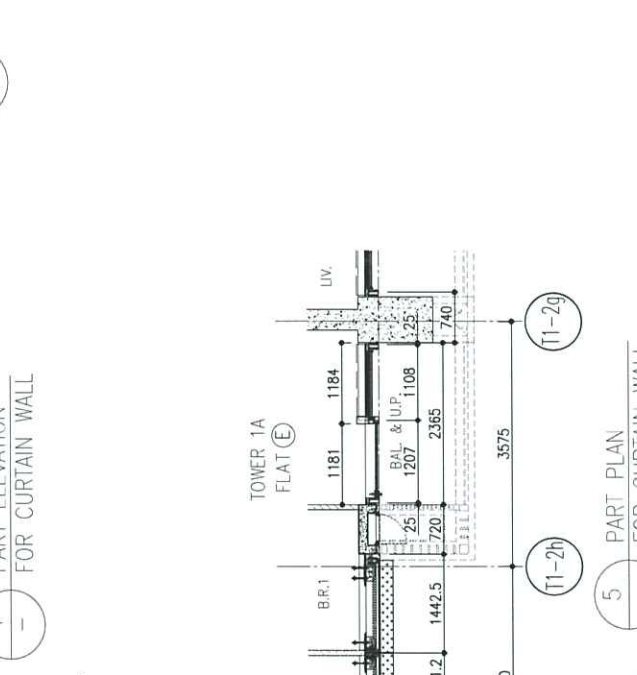
DWG NO. : J858-CW-PE104 REV. : E





1 PART ELEVATION FOR CURTAIN WALL

26/F	+91.25	52/F	+170.40
25/F	+87.95	51/F	+167.10
23/F	+84.65	50/F	+163.80
22/F	+81.35	49/F	+160.50
21/F	+78.05	48/F	+157.20
20/F	+74.75	47/F	+153.90
19/F	+71.45	46/F	+150.60
18/F	+68.15	45/F	+147.30
17/F	+64.85	44/F	+144.00
16/F	+61.55	43/F	+140.70
15/F	+58.25	42/F	+137.40
12/F	+54.95	40/F	+134.15
		R/F	+203.80
			+200.30
			+196.80
			+193.50
			+190.20
			+186.90
			+183.60
			+180.30
			+177.00
			+173.70



LEGEND:

(G1)	10mm THK. HEAT STRENGTHENED GLASS (OUTSIDE) + 12mm AIR SPACE + 12mm THK. TEMPERED GLASS
(G2)	10mm THK. HEAT STRENGTHENED GLASS (OUTSIDE) + 12mm AIR SPACE + 10mm THK. TEMPERED GLASS
(G3)	12mm THK. HEAT STRENGTHENED GLASS (INTERNAL PROTECTIVE BARRIER)
(G4)	10mm BLUE TINTED HEAT STRENGTHENED GLASS
(G5)	10mm THK. CLEAR TEMPERED GLASS
(G6)	8mm THK. CLEAR LAMINATED-STRENGTHENED GLASS + 1.52mm PVB + 8mm THK. CLEAR HEAT-STRENGTHENED GLASS
(G7)	3 mm THK. ALUM. CLADDING
(S.J.)	3 mm THK. A.L.U.M. BACKPAN - STACK JOINT

B.D. REF :

CLIENT : 信和置業有限公司 Sino Land Company Limited

ARCHITECT : ronald lu & partners Ronald Lu & Partners (HK) Ltd. 呂元祥建築師事務所 (香港) 有限公司

MAIN CONTRACTOR : Gammon

STRUCTURAL ENGINEER : AECOM

FACADE CONSULTANT : AECOM

NOTE :

- ALL DIMENSIONS ARE IN mm.
- ALL ELEVATIONS ARE VIEWED FROM OUTSIDE.
- ALL DIMENSIONS TO BE VERIFIED ON SITE BEFORE FABRICATION.

LEGEND :

X1 - DETAIL MARK NO.  
X021 - REFER SHEET NO.

- F.F.L. -- FINISHED FLOOR LEVEL
- S.F.L. -- STRUCTURAL FLOOR LEVEL
- ⊗ -- REVERSED DETAIL

E	23/05/22	REVISED AS PER COMMENTS	LS
D	06/04/22	REVISED AS PER COMMENTS	LS
C	17/02/22	REVISED AS PER COMMENTS	LS
B	20/12/21	REVISED AS PER COMMENTS	LS
A	03/12/21	REVISED AS PER COMMENTS	LS
NO.	DATE	REVISED	BY

JOB NO. : J-858

PROJECT : PROPOSED RESIDENTIAL DEVELOPMENT AT TKOIL 70RP, PHASE 11, LCHAS PARK TSEUNG KWAN O, N.T.

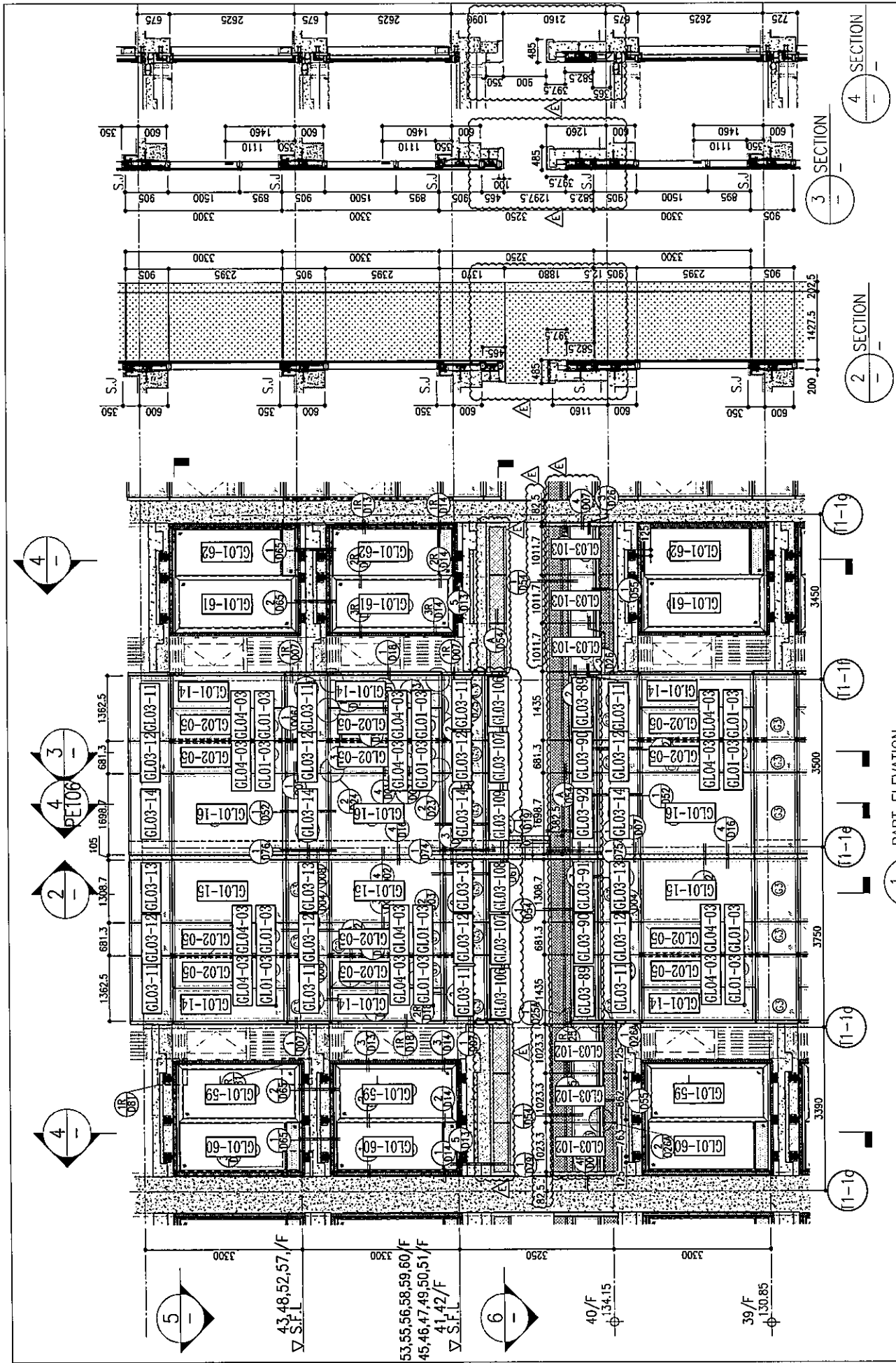
TITLE : TYPICAL FLOOR PARTIAL ELEVATION & SECTION, PLAN FOR CURTAIN WALL (TOWER 1)

DATE : 22-OCT-21 SCALE : 1:50(A1)

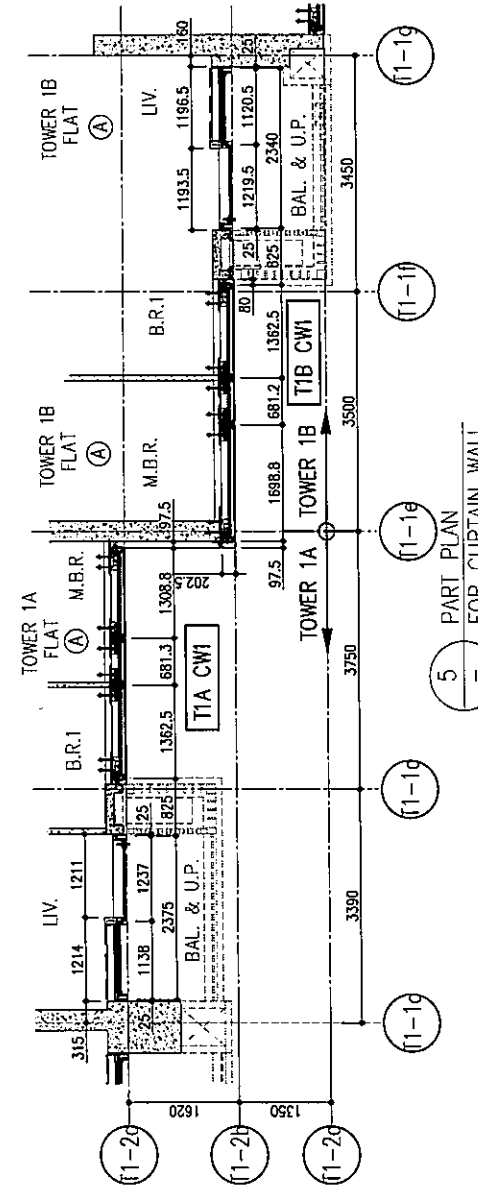
DRAWN BY : CHECKED BY :

美特鋁質有限公司 MIDI ALUMINIUM FABRICATOR LTD. Units 6-B, Sunray Industrial Centre, 1/F 610 Cha Kwo Ling Road, Kowloon Tel:23489211-4 Fax:(852)2727666

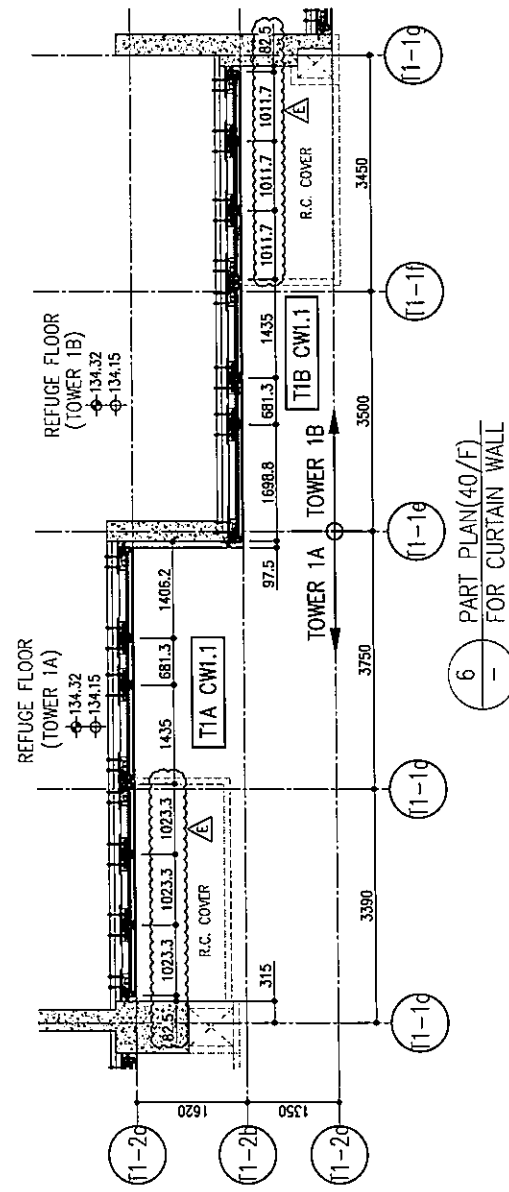
DWG NO. : J858-CW-PE115 REV. : E



1 PART ELEVATION FOR CURTAIN WALL



5 PART PLAN FOR CURTAIN WALL



6 PART PLAN(40/F) FOR CURTAIN WALL

26/F +91.25	39/F +130.85	52/F +170.40	R/F +203.80
25/F +87.95	38/F +127.55	51/F +167.10	62/F +200.30
23/F +84.85	37/F +124.25	50/F +163.80	61/F +196.80
22/F +81.35	36/F +120.95	49/F +160.50	60/F +193.50
21/F +78.05	35/F +117.65	48/F +157.20	59/F +190.20
20/F +74.75	33/F +114.35	47/F +153.90	58/F +186.90
19/F +71.45	32/F +111.05	46/F +150.60	57/F +183.60
18/F +68.15	31/F +107.75	45/F +147.30	56/F +180.30
17/F +64.85	30/F +104.45	43/F +144.00	55/F +177.00
16/F +61.55	29/F +101.15	42/F +140.70	53/F +173.70
15/F +58.25	28/F +97.85	41/F +137.40	
12/F +54.95	27/F +94.55	40/F +134.15	

- LEGEND:
- ① 10mm THK. HEAT STRENGTHENED GLASS (OUTSIDE) + 12mm AIR SPACE + 12mm THK. TEMPERED GLASS
  - ② 10mm THK. HEAT STRENGTHENED GLASS (OUTSIDE) + 12mm AIR SPACE + 10mm THK. TEMPERED GLASS
  - ③ 12mm THK. HEAT STRENGTHENED GLASS
  - ④ 12mm THK. CLEAR TEMPERED GLASS (INTERNAL PROTECTIVE BARRIER)
  - ⑤ 12mm CLEAR STRENGTHENED GLASS
  - ⑥ 10mm THK. TEMPERED GLASS
  - ⑦ 8mm THK. CLEAR STRENGTHENED GLASS + 1.52mm PVB + 8mm THK. CLEAR HEAT-STRENGTHENED GLASS
  - ⑧ 3 mm THK. ALUM. CLADDING
  - S.J. - 3 mm THK. ALUM. BACKPAN
  - STACK JOINT

B.D. REF :

CLIENT :  
 Sino Land Company Limited

ARCHITECT :  
 ronald lu & partners  
 Ronald Lu & Partners (HK) Ltd.  
 呂元祥建築師事務所 (香港) 有限公司

MAIN CONTRACTOR :  
 Gammon

STRUCTURAL ENGINEER :  
 AECOM

FAÇADE CONSULTANT:  
 AECOM

NOTE :  
 1. ALL DIMENSIONS ARE IN mm.  
 2. ALL ELEVATIONS ARE VIEWED FROM OUTSIDE.  
 3. ALL DIMENSIONS TO BE VERIFIED ON SITE BEFORE FABRICATION.

LEGEND :  
 XI - DETAIL SHEET NO.  
 1001 - REFER SHEET NO.  
 1. F.F.L. --- FINISHED FLOOR LEVEL  
 2. S.F.L. --- STRUCTURAL FLOOR LEVEL  
 3. --- REVERSED DETAIL

E	23/05/22	REVISED AS PER COMMENTS	LS
D	06/04/22	REVISED AS PER COMMENTS	LS
C	24/01/22	REVISED AS PER COMMENTS	LS
B	20/12/21	REVISED AS PER COMMENTS	LS
A	03/12/21	REVISED AS PER COMMENTS	LS
NO.	DATE	REVISED	BY

JOB NO. : J-858

PROJECT :  
 PROPOSED RESIDENTIAL DEVELOPMENT  
 AT TKOTL 70RP, PHASE 11, LCHAS PARK  
 TSEUNG KWAN O, N.T.

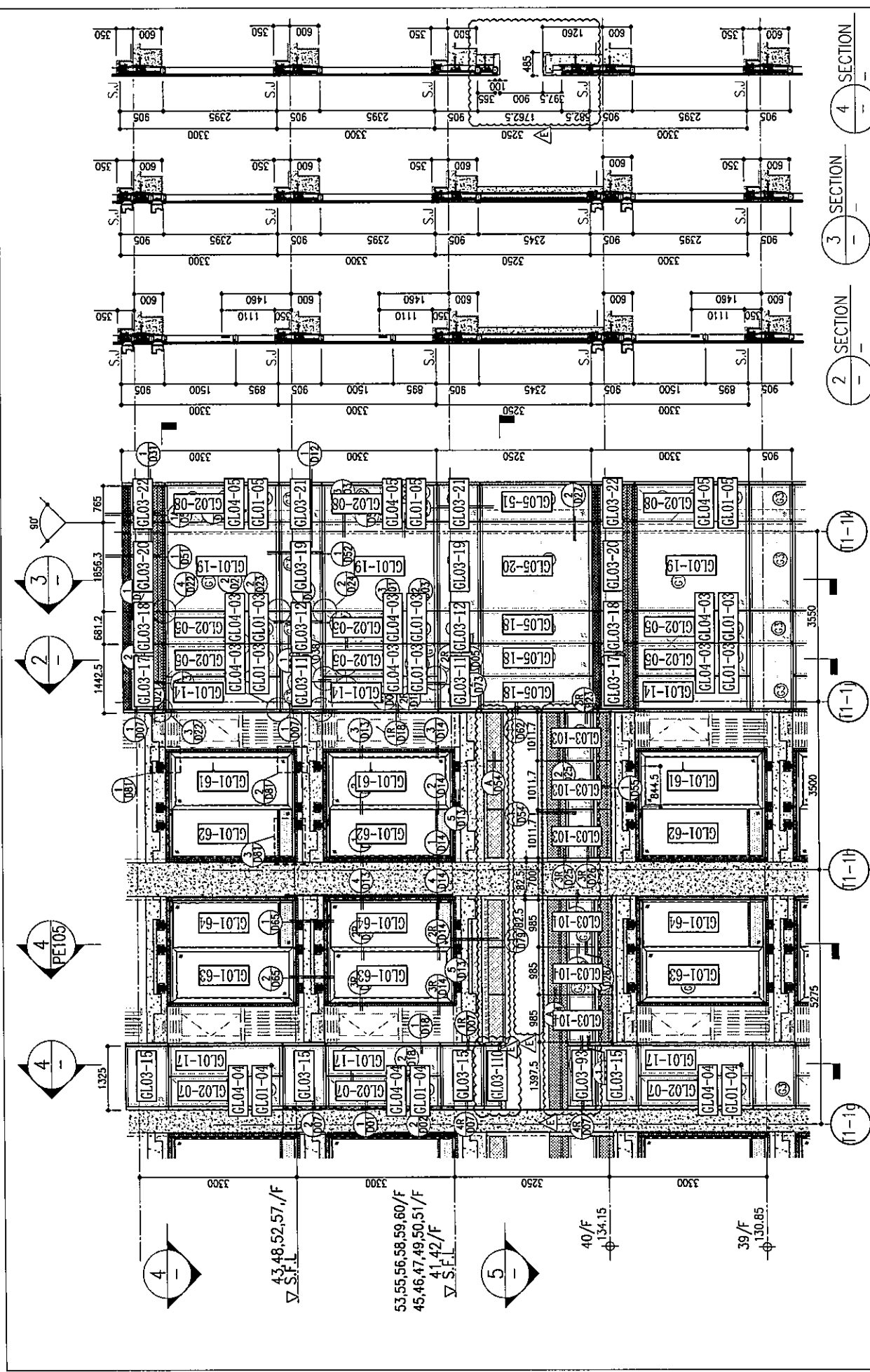
TITLE :  
 TYPICAL FLOOR PARTIAL  
 ELEVATION & SECTION, PLAN  
 FOR CURTAIN WALL (TOWER 1)

DATE : 22-OCT-21 SCALE : 1:50(A1)

DRAWN BY : CHECKED BY :

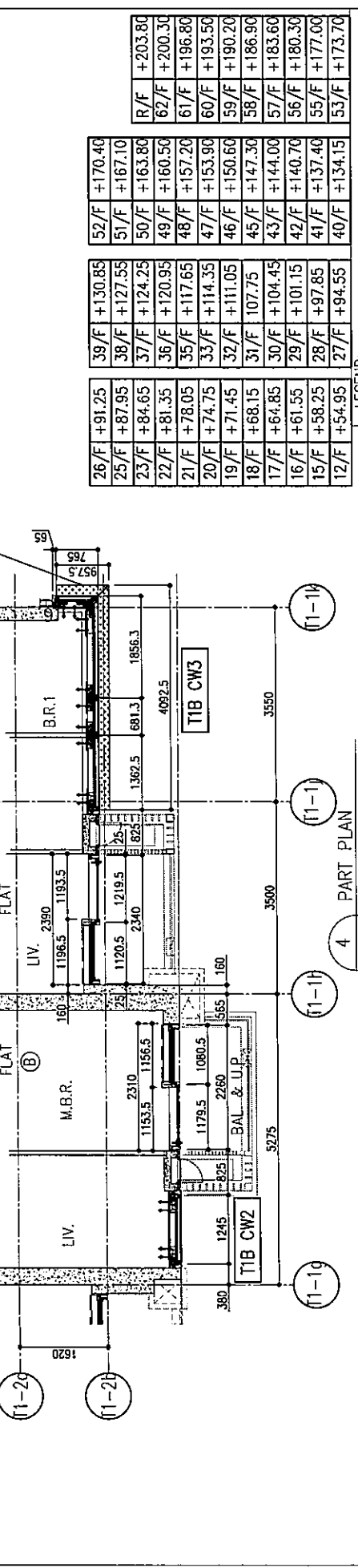
美特鋁質有限公司  
 MIDI ALUMINUM FABRICATOR LTD.  
 Units 6-8, Sunray Industrial Centre, 1/F  
 610 Cha Kwo Ling Road, Kowloon  
 Tel:23489211-4 Fax:(852)27272666

DWG NO. : J858-CW-PE105 REV. : E



1 PART ELEVATION FOR CURTAIN WALL  
 2 SECTION  
 3 SECTION  
 4 SECTION

ARCH. FEATURE AT 39/F, 43/F, 48/F, 52/F, 57/F



4 PART PLAN FOR CURTAIN WALL  
 5 PART PLAN(40/F) FOR CURTAIN WALL

26/F +91.25	39/F +130.85	52/F +170.40	R/F +203.80
25/F +87.95	38/F +127.55	51/F +167.10	62/F +200.30
23/F +84.65	37/F +124.25	50/F +163.80	61/F +196.80
22/F +81.35	36/F +120.95	49/F +160.50	60/F +193.50
21/F +78.05	35/F +117.65	48/F +157.20	59/F +190.20
20/F +74.75	33/F +114.35	47/F +153.90	58/F +186.90
19/F +71.45	32/F +111.05	46/F +150.60	57/F +183.60
18/F +68.15	31/F +107.75	45/F +147.30	56/F +180.30
17/F +64.85	30/F +104.45	44/F +144.00	55/F +177.00
16/F +61.55	29/F +101.15	42/F +140.70	53/F +173.70
15/F +58.25	28/F +97.85	41/F +137.40	
12/F +54.95	27/F +94.55	40/F +134.15	

LEGEND:

- ① 10mm THK. HEAT STRENGTHENED GLASS (OUTSIDE) + 12mm AIR SPACE + 12mm THK. TEMPERED GLASS
- ② 10mm THK. HEAT STRENGTHENED GLASS (OUTSIDE) + 12mm AIR SPACE + 10mm THK. TEMPERED GLASS
- ③ 12mm THK. HEAT STRENGTHENED GLASS
- ④ 12mm THK. CLEAR TEMPERED GLASS (INTERNAL PROTECTIVE BARRIER)
- ⑤ 12mm CLEAR STRENGTHENED GLASS
- ⑥ 10mm THK. TEMPERED GLASS
- ⑦ 8mm THK. CLEAR PLAT-STRENGTHENED GLASS + 1.52mm PVB + 8mm THK. CLEAR HEAT-STRENGTHENED GLASS
- ⑧ 3mm THK. ALUM. CLADDING
- S.J. - 3mm THK. ALUM. BACKPAN
- STACK JOINT

B.D. REF :

CLIENT : 信和置業有限公司 Sino Land Company Limited

ARCHITECT : Ronald Lu & partners  
 Ronald Lu & Partners (HK) Ltd.  
 呂元祥建築師事務所 (香港) 有限公司

MAIN CONTRACTOR : Gammon

STRUCTURAL ENGINEER : AECOM

FAÇADE CONSULTANT : AECOM

NOTE :

- ALL DIMENSIONS ARE IN mm.
- ALL ELEVATIONS ARE VIEWED FROM OUTSIDE.
- ALL DIMENSIONS TO BE VERIFIED ON SITE BEFORE FABRICATION.

LEGEND :

- X1 DETAIL MARK NO.
- X021 REFER SHEET NO.
- 1. F.F.L. --- FINISHED FLOOR LEVEL
- 2. S.F.L. --- STRUCTURAL FLOOR LEVEL
- 3. ⊗ --- REVERSED DETAIL

E	23/05/22	REVISED AS PER COMMENTS	LS
D	06/04/22	REVISED AS PER COMMENTS	LS
C	24/01/22	REVISED AS PER COMMENTS	LS
B	20/12/21	REVISED AS PER COMMENTS	LS
A	03/12/21	REVISED AS PER COMMENTS	LS
NO.	DATE	REVISED	BY

JOB NO. : J-858

PROJECT : PROPOSED RESIDENTIAL DEVELOPMENT AT TKOTL 70RP, PHASE 11, LCHAS PARK TSEUNG KWAN O, N.T.

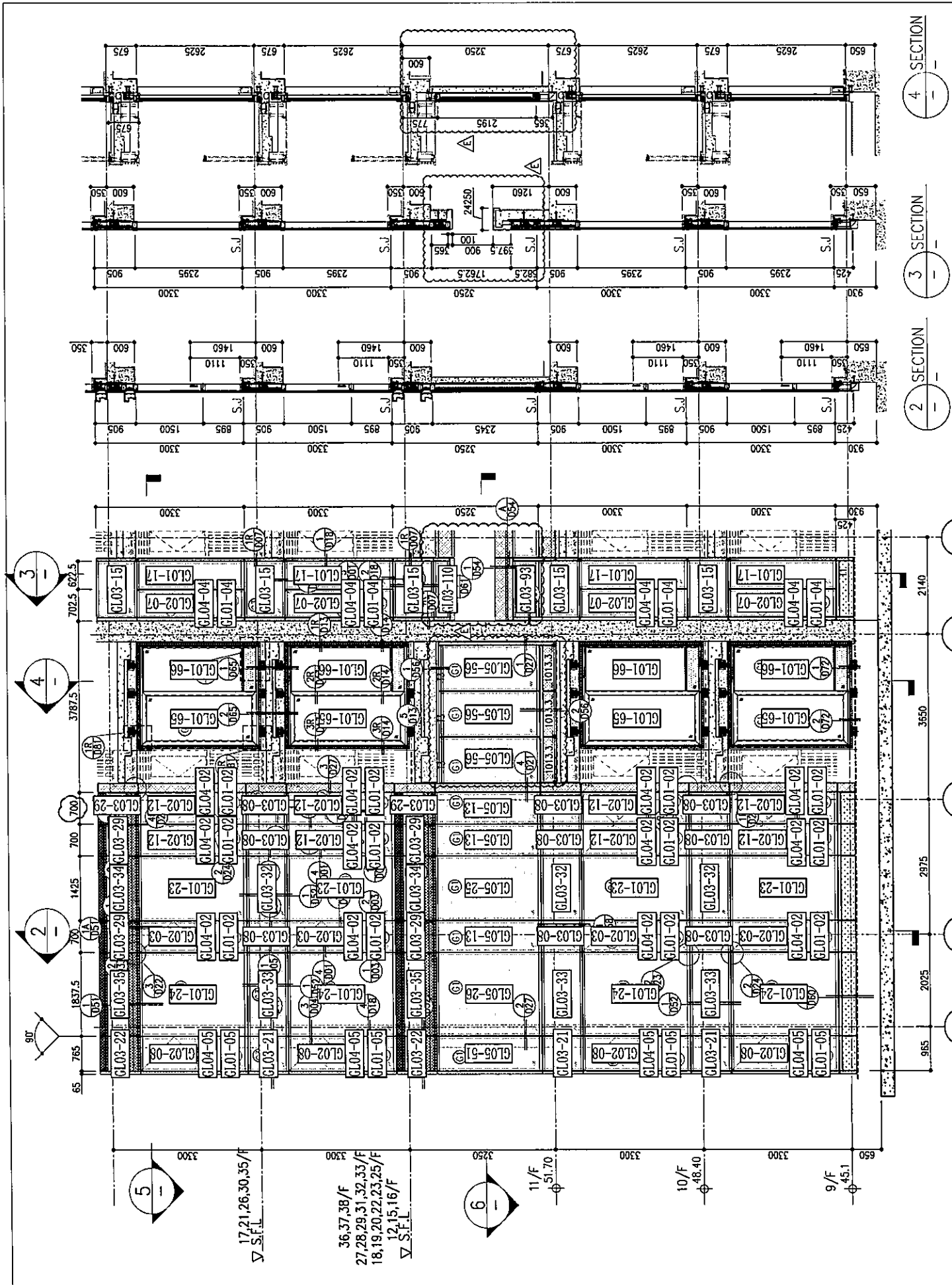
TITLE : TYPICAL FLOOR PARTIAL ELEVATION & SECTION, PLAN FOR CURTAIN WALL (TOWER 1)

DATE : 22-OCT-21 SCALE : 1:50(A1)

DRAWN BY : CHECKED BY :

美特鋁質有限公司  
 MIDI ALUMINUM FABRICATOR LTD.  
 Units 6-8, Sunray Industrial Centre, 1/F  
 610 Cha Kwo Ling Road, Kowloon  
 Tel:23489211-4 Fax:(852)2727666

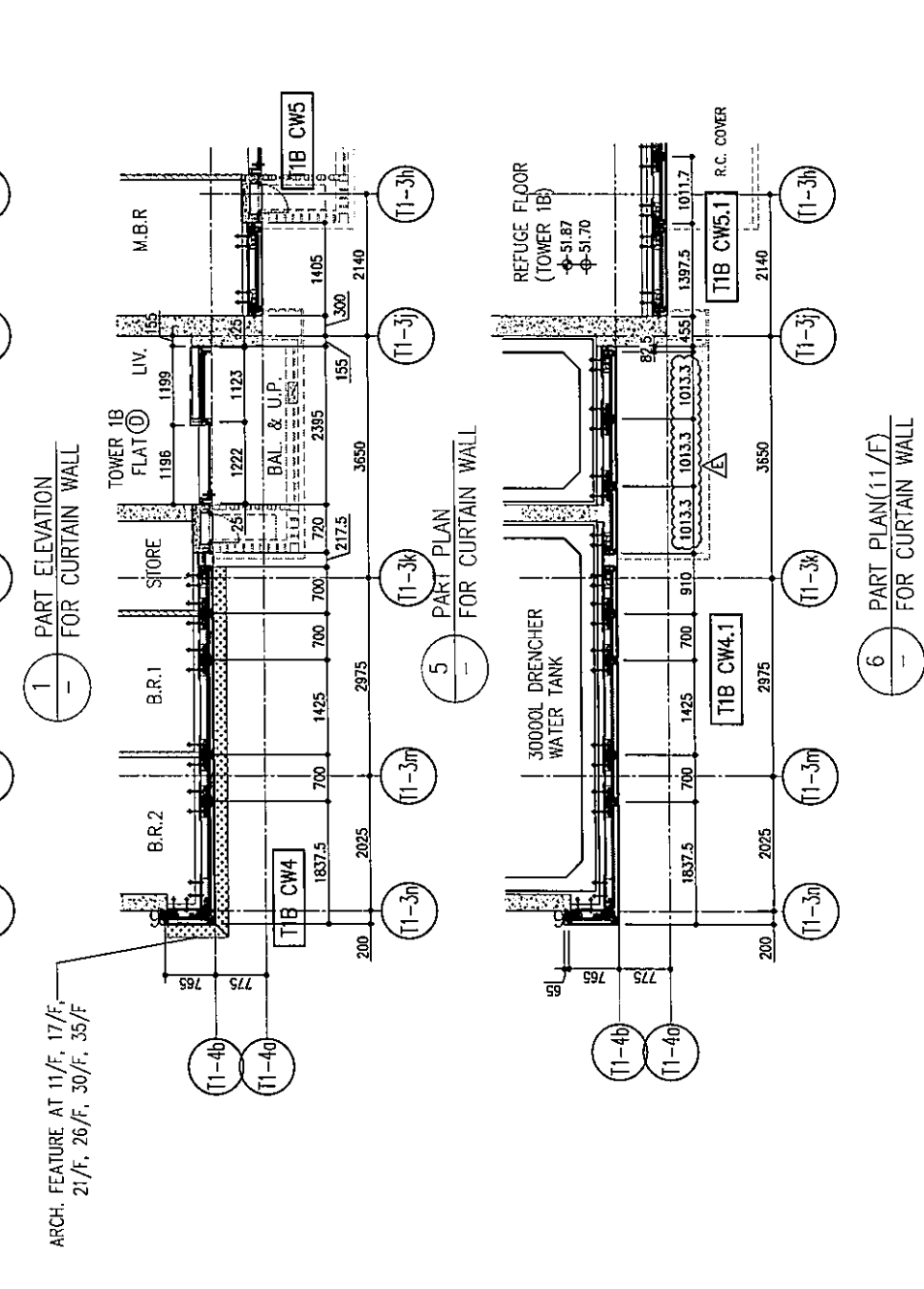
DWG NO. : J858-CW-PE106 REV. : E



26/F	+91.25	39/F	+130.85	52/F	+170.40	R/F	+203.80
25/F	+87.95	38/F	+127.55	51/F	+167.10		
23/F	+84.65	37/F	+124.25	50/F	+163.80		
22/F	+81.35	36/F	+120.95	49/F	+160.50		
21/F	+78.05	35/F	+117.65	48/F	+157.20		
20/F	+74.75	33/F	+114.35	47/F	+153.90		
19/F	+71.45	32/F	+111.05	46/F	+150.60		
18/F	+68.15	31/F	+107.75	45/F	+147.30		
17/F	+64.85	30/F	+104.45	43/F	+144.00		
16/F	+61.55	29/F	+101.15	42/F	+140.70		
15/F	+58.25	28/F	+97.85	41/F	+137.40		
12/F	+54.95	27/F	+94.55	40/F	+134.15		

**LEGEND:**

- 10mm THK. HEAT STRENGTHENED GLASS (OUTSIDE) + 12mm AIR SPACE + 12mm THK. TEMPERED GLASS
- 10mm THK. HEAT STRENGTHENED GLASS (OUTSIDE) + 12mm AIR SPACE + 10mm THK. TEMPERED GLASS
- 10mm THK. HEAT STRENGTHENED GLASS
- 12mm THK. CLEAR TEMPERED GLASS (INTERNAL PROTECTIVE BARRIER)
- 12mm CLEAR AT STRENGTHENED GLASS
- 10mm THK. CLEAR TEMPERED GLASS
- 8mm THK. CLEAR AT-STRENGTHENED GLASS + 1.52mm PVB + 8mm THK. CLEAR HEAT-STRENGTHENED GLASS
- 3 mm THK. ALUM. BACKPAN
- S.J. - STACK JOINT



B.D. REF :

CLIENT : **信和置業有限公司**  
Sino Land Company Limited

ARCHITECT : **ronald lu & partners**  
Associate: **Planners, Interior Designers**  
**Ronald Lu & Partners (HK) Ltd.**  
呂元祥建築師事務所 (香港) 有限公司

MAIN CONTRACTOR : **Gammon**

STRUCTURAL ENGINEER : **AECOM**

FACADE CONSULTANT : **AECOM**

NOTE :  
1. ALL DIMENSIONS ARE IN mm.  
2. ALL ELEVATIONS ARE VIEWED FROM OUTSIDE.  
3. ALL DIMENSIONS TO BE VERIFIED ON SITE BEFORE FABRICATION.

LEGEND :  
 X1 - DETAIL MARK NO.  
 X001 - REFER SHEET NO.

1. F.F.L. --- FINISHED FLOOR LEVEL  
2. S.F.L. --- STRUCTURAL FLOOR LEVEL  
3. -- REVERSED DETAIL

E	23/05/22	REVISED AS PER COMMENTS	LS
D	06/04/22	REVISED AS PER COMMENTS	LS
C	24/01/22	REVISED AS PER COMMENTS	LS
B	20/12/21	REVISED AS PER COMMENTS	LS
A	03/12/21	REVISED AS PER COMMENTS	LS
NO.	DATE	REVISED	BY

JOB NO. : J-858

PROJECT : PROPOSED RESIDENTIAL DEVELOPMENT AT TKOTL 70RP, PHASE 11, LOHAS PARK TSEUNG KWAN O, N.T.

TITLE : TYPICAL FLOOR PARTIAL ELEVATION & SECTION, PLAN FOR CURTAIN WALL (TOWER 1)

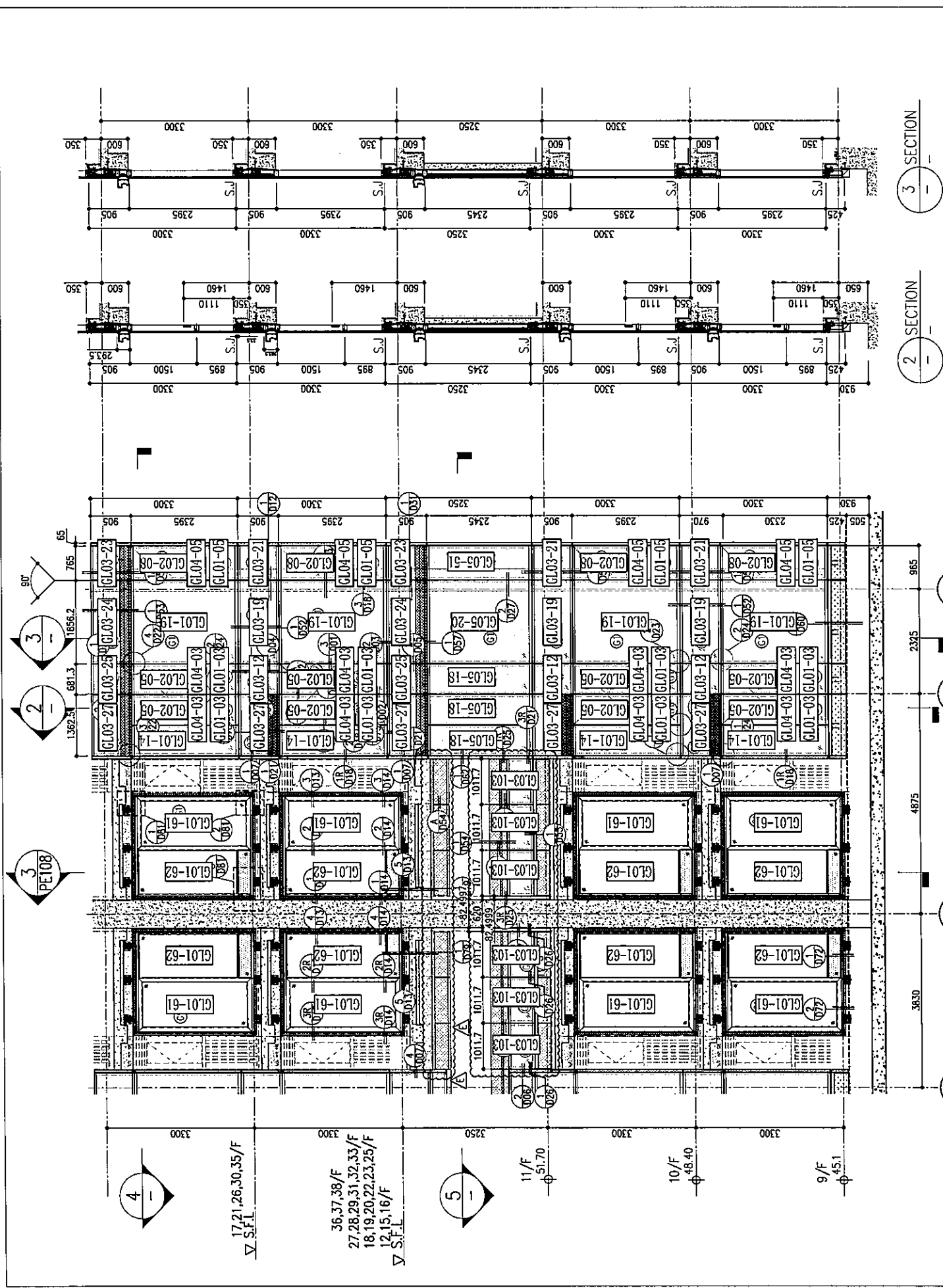
DATE : 22-OCT-21 SCALE : 1:50(A1)

DRAWN BY : CHECKED BY :

**美特鋁質有限公司**  
MIDI ALUMINIUM FABRICATOR LTD.  
Units 6-8, Sunray Industrial Centre, 1/F  
610 Cho Kwo Ling Road, Kowloon  
Tel: 23489211-4 Fax: (852) 2727666

DWG NO. : J858-CW-PE107 REV. : E

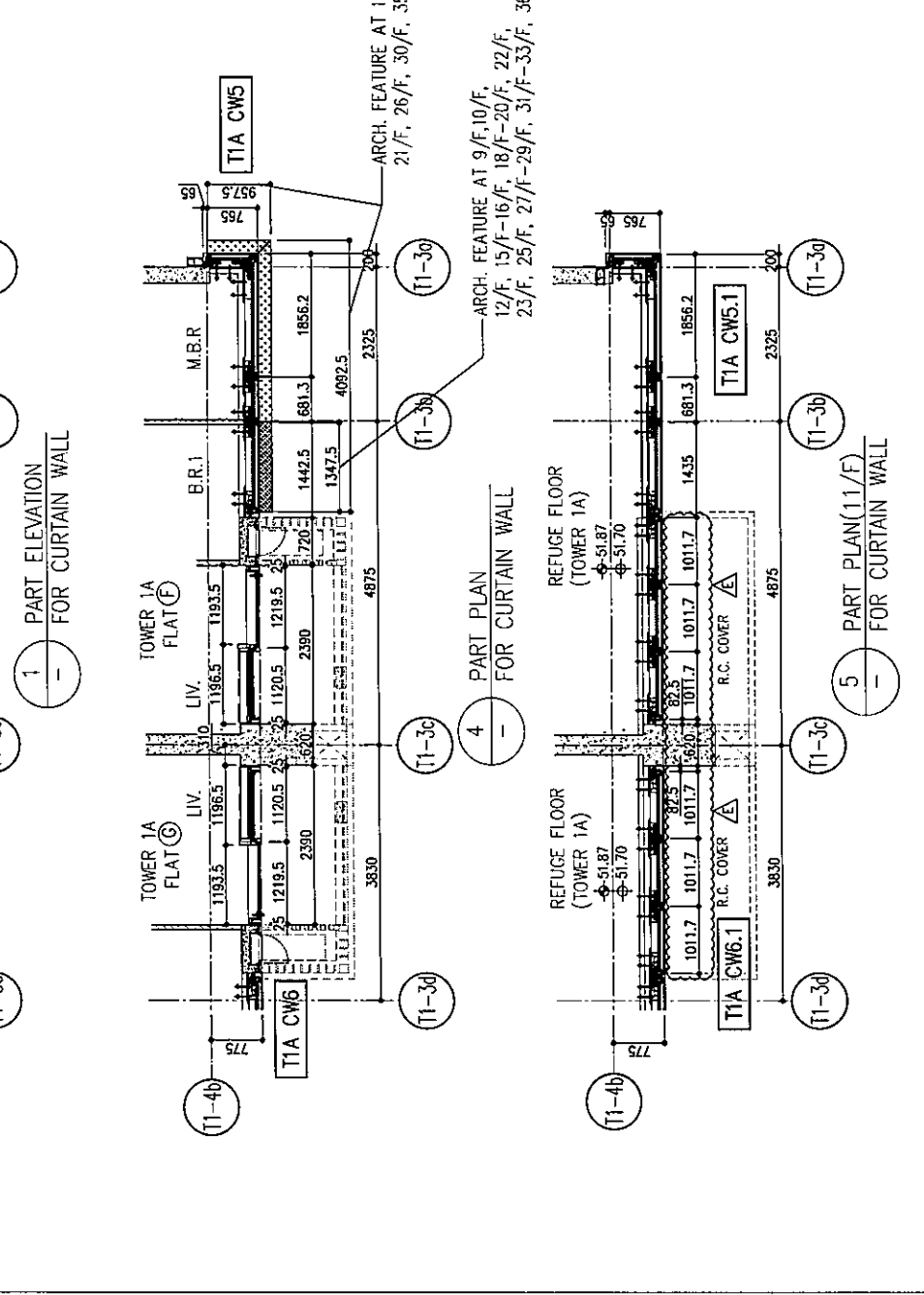




26/F	+91.25	39/F	+130.85	52/F	+170.40	R/F	+203.80
25/F	+87.95	38/F	+127.55	51/F	+167.10		
23/F	+84.65	37/F	+124.25	50/F	+163.80		
22/F	+81.35	36/F	+120.95	49/F	+160.50		
21/F	+78.05	35/F	+117.65	48/F	+157.20		
20/F	+74.75	33/F	+114.35	47/F	+153.90		
19/F	+71.45	32/F	+111.05	46/F	+150.60		
18/F	+68.15	31/F	+107.75	45/F	+147.30		
17/F	+64.85	30/F	+104.45	43/F	+144.00		
16/F	+61.55	29/F	+101.15	42/F	+140.70		
15/F	+58.25	28/F	+97.85	41/F	+137.40		
12/F	+54.95	27/F	+94.55	40/F	+134.15		

LEGEND:

- 10mm THK. HEAT STRENGTHENED GLASS (OUTSIDE) + 12mm AIR SPACE + 12mm THK. TEMPERED GLASS
- 10mm THK. HEAT STRENGTHENED GLASS (OUTSIDE) + 12mm AIR SPACE + 10mm THK. TEMPERED GLASS
- 12mm THK. HEAT STRENGTHENED GLASS (INTERNAL PROTECTIVE BARRIER)
- 12mm CLEAR AT STRENGTHENED GLASS
- 10mm THK. CLEAR TEMPERED GLASS
- 8mm THK. CLEAR AT-STRENGTHENED GLASS + 1.52mm ALUM. CLADDING + 8mm THK. CLEAR HEAT-STRENGTHENED GLASS
- 3 mm THK. ALUM. CLADDING
- 3 mm THK. ALUM. BACKPAN
- S.J. - STACK JOINT



B.D. REF :

CLIENT : 信和置業有限公司 Sino Land Company Limited

ARCHITECT : ronald lu & partners Ronald Lu & Partners (HK) Ltd. 呂元祥建築師事務所 (香港) 有限公司

MAIN CONTRACTOR : Gammon

STRUCTURAL ENGINEER : AECOM

FACADE CONSULTANT : AECOM

NOTE :

- ALL DIMENSIONS ARE IN mm.
- ALL ELEVATIONS ARE VIEWED FROM OUTSIDE.
- ALL DIMENSIONS TO BE VERIFIED ON SITE BEFORE FABRICATION.

LEGEND :

- X1 - DETAIL MARK NO.
- X021 - REFER SHEET NO.
- 1. F.F.L. -- FINISHED FLOOR LEVEL
- 2. S.F.L. -- STRUCTURAL FLOOR LEVEL
- 3. -- REVERSED DETAIL

E	12/05/22	REVISED AS PER COMMENTS	LS
D	06/04/22	REVISED AS PER COMMENTS	LS
C	16/02/22	REVISED AS PER COMMENTS	LS
B	20/12/21	REVISED AS PER COMMENTS	LS
A	03/12/21	REVISED AS PER COMMENTS	LS
NO.	DATE	REVISED	BY

JOB NO. : J-858

PROJECT : PROPOSED RESIDENTIAL DEVELOPMENT AT TKOTL 70RP, PHASE 11, LCHAS PARK TSEUNG KWAN O, N.T.

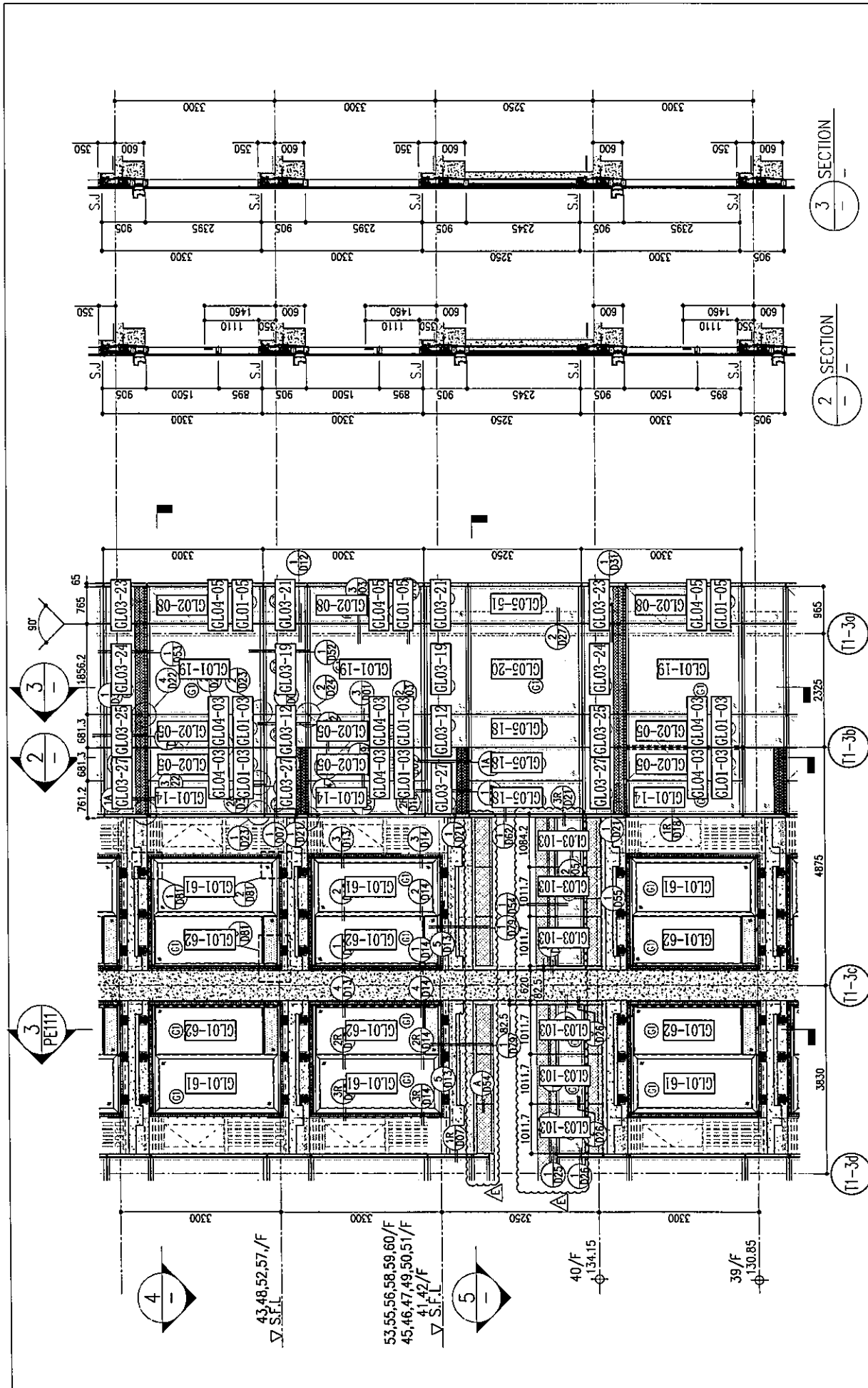
TITLE : TYPICAL FLOOR PARTIAL ELEVATION & SECTION, PLAN FOR CURTAIN WALL (TOWER 1)

DATE : 22-OCT-21 SCALE : 1:50(A1)

DRAWN BY : CHECKED BY :

美特鋁質有限公司 MIDIL ALUMINIUM FABRICATOR LTD. Units 6-8, Sunray Industrial Centre, 1/F 610 Cho Kwo Ling Road, Kowloon Tel:23489211-4 Fax:(852)27272666

DWG NO. : J858-CW-PE109 REV. : E

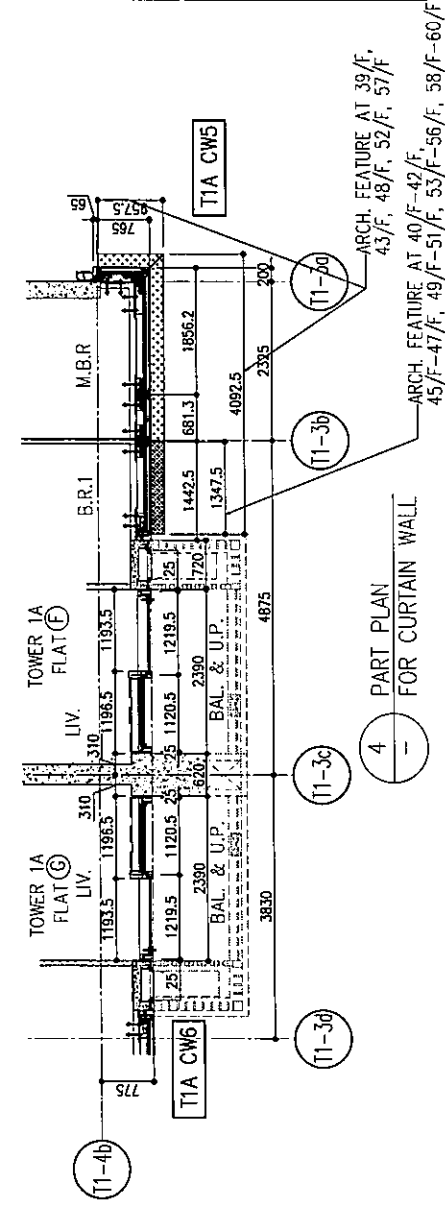


1 PART ELEVATION WALL FOR CURTAIN WALL

5 PART PLAN(40/F) FOR CURTAIN WALL

3 SECTION

2 SECTION



4 PART PLAN(40/F) FOR CURTAIN WALL

3 ARCH. FEATURE AT 39/F, 43/F, 48/F, 52/F, 57/F, 45/F-47/F, 49/F-51/F, 53/F-56/F, 58/F-60/F

26/F	+91.25	39/F	+130.85	52/F	+170.40	R/F	+203.80
25/F	+87.95	38/F	+127.55	51/F	+167.10	62/F	+200.30
23/F	+84.65	37/F	+124.25	50/F	+163.80	61/F	+196.80
22/F	+81.35	36/F	+120.95	49/F	+160.50	60/F	+193.50
21/F	+78.05	35/F	+117.65	48/F	+157.20	59/F	+190.20
20/F	+74.75	33/F	+114.35	47/F	+153.90	58/F	+186.90
19/F	+71.45	32/F	+111.05	46/F	+150.60	57/F	+183.60
18/F	+68.15	31/F	+107.75	45/F	+147.30	56/F	+180.30
17/F	+64.85	30/F	+104.45	44/F	+144.00	55/F	+177.00
16/F	+61.55	29/F	+101.15	43/F	+140.70	54/F	+173.70
15/F	+58.25	28/F	+97.85	42/F	+137.40		
12/F	+54.95	27/F	+94.55	41/F	+134.15		

- LEGEND:
- (1) 10mm THK. HEAT STRENGTHENED GLASS (OUTSIDE) + 12mm AIR SPACE + 12mm THK. TEMPERED GLASS
  - (2) 10mm THK. HEAT STRENGTHENED GLASS (OUTSIDE) + 12mm AIR SPACE + 10mm THK. TEMPERED GLASS
  - (3) 12mm THK. HEAT STRENGTHENED GLASS
  - (4) 12mm THK. CLEAR TEMPERED GLASS (INTERVAL PROTECTIVE BARRIER)
  - (5) 12mm CLEAR STRENGTHENED GLASS
  - (6) 10mm THK. CLEAR TEMPERED GLASS
  - (7) 6mm THK. CLEAR STRENGTHENED GLASS + 1.52mm ALUM. BACKPAN + 8mm THK. CLEAR HEAT-STRENGTHENED GLASS
  - (8) 3mm THK. ALUM. GLASSING
  - S.J. - 3mm THK. ALUM. BACKPAN
  - STACK JOINT

B.D. REF :

CLIENT : 信和置業有限公司 Sino Land Company Limited

ARCHITECT : ronald lu & partners Ronald Lu & Partners (HK) Ltd. 呂元祥建築師事務所 (香港) 有限公司

MAIN CONTRACTOR : Gammon

STRUCTURAL ENGINEER : AECOM

FACADE CONSULTANT: AECOM

NOTE :

- ALL DIMENSIONS ARE IN mm.
- ALL ELEVATIONS ARE MEASURED FROM OUTSIDE.
- ALL DIMENSIONS TO BE VERIFIED ON SITE BEFORE FABRICATION.

LEGEND :

- (X1) DETAIL MARK NO.
- (X001) REFER SHEET NO.

1. F.F.L. --- FINISHED FLOOR LEVEL  
2. S.F.L. --- STRUCTURAL FLOOR LEVEL  
3. (R) --- REVERSED DETAIL

E	23/05/22	REVISED AS PER COMMENTS	LS
D	06/04/22	REVISED AS PER COMMENTS	LS
C	16/02/22	REVISED AS PER COMMENTS	LS
B	20/12/21	REVISED AS PER COMMENTS	LS
A	03/12/21	REVISED AS PER COMMENTS	LS
NO.	DATE	REVISED	BY

JOB NO. : J-858

PROJECT : PROPOSED RESIDENTIAL DEVELOPMENT AT TKOTL 70RP, PHASE 11, LOHAS PARK TSEUNG KWAN O, N.T.

TITLE : TYPICAL FLOOR PARTIAL ELEVATION & SECTION, PLAN FOR CURTAIN WALL (TOWER 1)

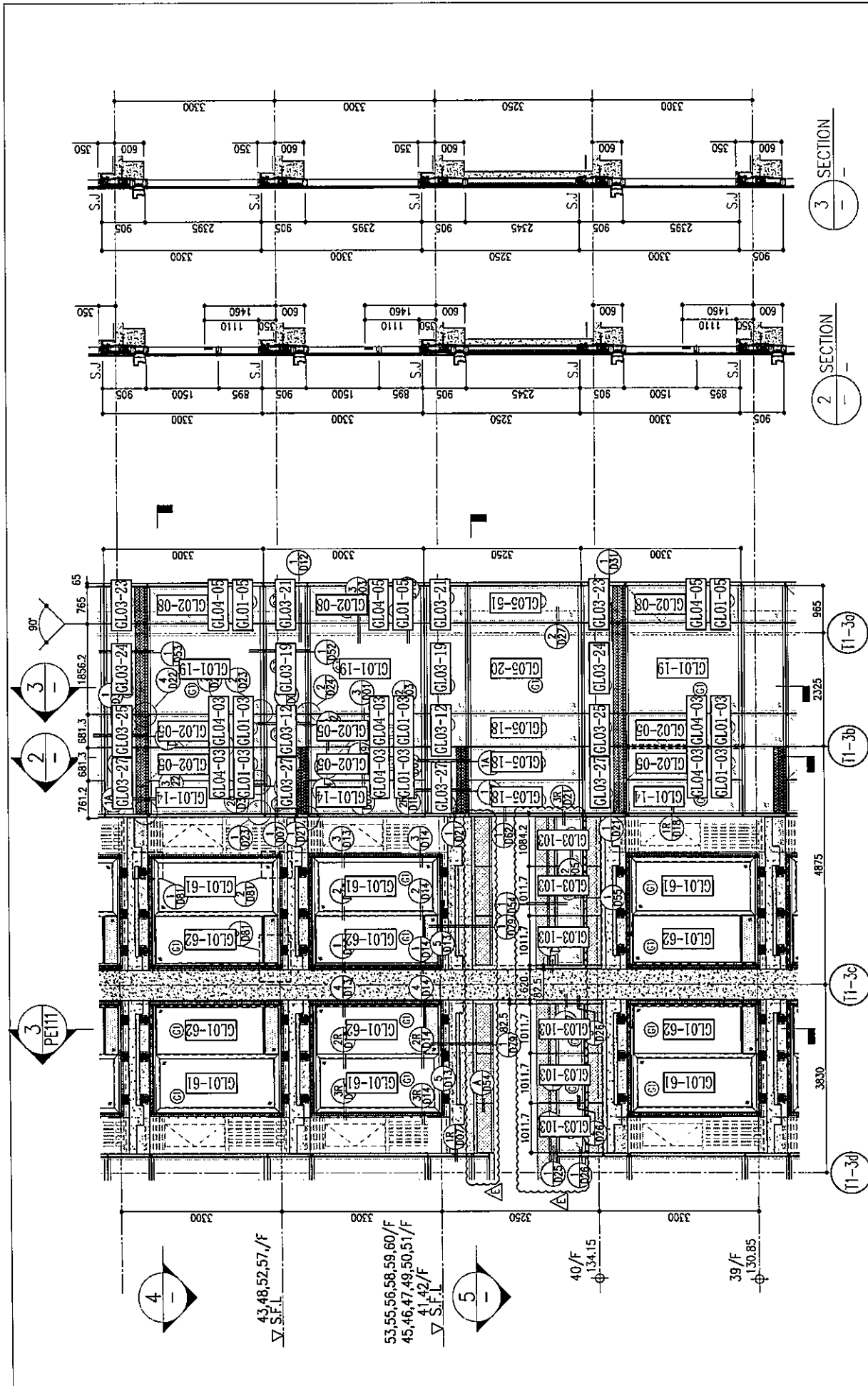
DATE : 22-OCT-21 SCALE : 1:50(A1)

DRAWN BY : CHECKED BY :

美特鋁質有限公司 MIDALUMINIUM FABRICATOR LTD. Units 6-8, Sunny Industrial Centre, 1/F 610 Cha Kwo Ling Road, Kowloon Tel:23489211-4 Fax:(852)2727666

DWG NO. : J858-CW-PE112 REV. : E

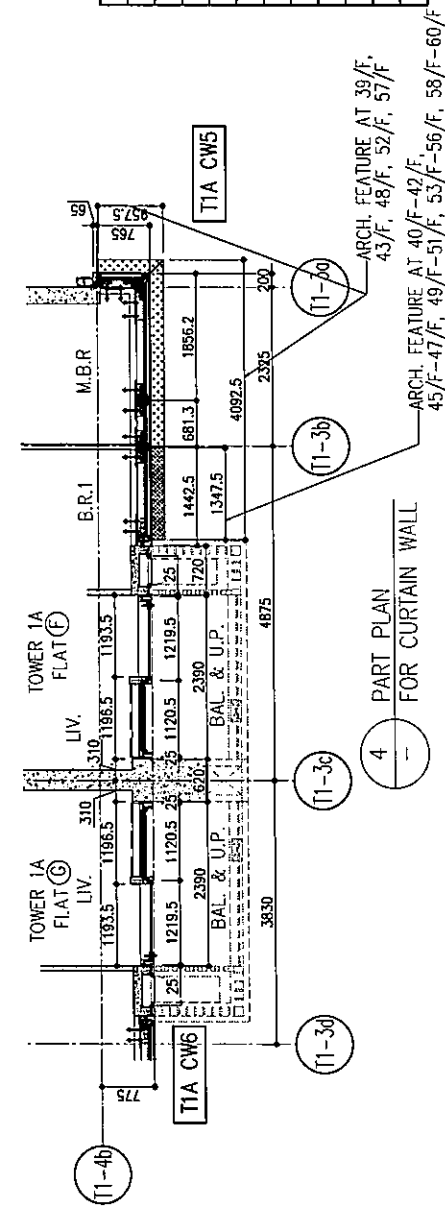




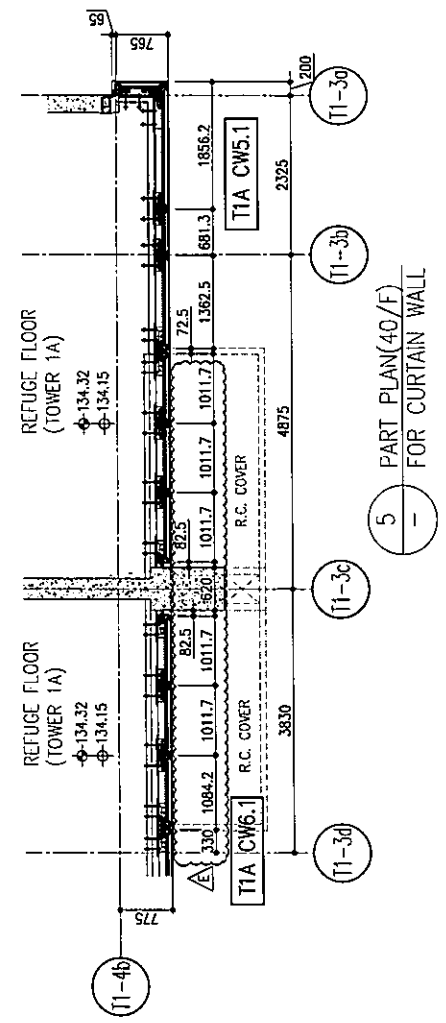
1 PART ELEVATION FOR CURTAIN WALL

3 SECTION

2 SECTION



4 PART PLAN FOR CURTAIN WALL



5 PART PLAN (40/F) FOR CURTAIN WALL

26/F	+91.25	39/F	+130.85	52/F	+170.40	R/F	+203.80
25/F	+87.95	38/F	+127.55	51/F	+167.10		
23/F	+84.65	37/F	+124.25	50/F	+163.80		
22/F	+81.35	36/F	+120.95	49/F	+160.50		
21/F	+78.05	35/F	+117.65	48/F	+157.20		
20/F	+74.75	33/F	+114.35	47/F	+153.90		
19/F	+71.45	32/F	+111.05	46/F	+150.60		
18/F	+68.15	31/F	+107.75	45/F	+147.30		
17/F	+64.85	30/F	+104.45	43/F	+144.00		
16/F	+61.55	29/F	+101.15	42/F	+140.70		
15/F	+58.25	28/F	+97.85	41/F	+137.40		
12/F	+54.95	27/F	+94.55	40/F	+134.15		

- LEGEND:
- 10mm THK. HEAT STRENGTHENED GLASS (OUTSIDE) + 12mm AIR SPACE + 12mm THK. TEMPERED GLASS
  - 10mm THK. HEAT STRENGTHENED GLASS (OUTSIDE) + 12mm AIR SPACE + 10mm THK. TEMPERED GLASS
  - 12mm THK. HEAT STRENGTHENED GLASS
  - 12mm THK. CLEAR TEMPERED GLASS (INTERNAL PROTECTIVE BARRIER)
  - 12mm CLEAR STRENGTHENED GLASS
  - 10mm THK. CLEAR TEMPERED GLASS
  - 8mm THK. CLEAR STRENGTHENED GLASS + 1.52mm ALUM. CLADDING + 8mm THK. CLEAR HEAT-STRENGTHENED GLASS
  - 3 mm THK. ALUM. CLADDING
  - 3 mm THK. ALUM. BACKPAN
  - S.J. - STACK JOINT

B.D. REF :

CLIENT : 信和置業有限公司 Sino Land Company Limited

ARCHITECT : Ronald Lu & partners  
 Ronald Lu & Partners (HK) Ltd.  
 呂元祥建築師事務所 (香港) 有限公司

MAIN CONTRACTOR : Gammon

STRUCTURAL ENGINEER : AECOM

FACADE CONSULTANT : AECOM

NOTE :  
 1. ALL DIMENSIONS ARE IN mm.  
 2. ALL ELEVATIONS ARE VIEWED FROM OUTSIDE.  
 3. ALL DIMENSIONS TO BE VERIFIED ON SITE BEFORE FABRICATION.

LEGEND :  
 X1 - DETAIL MARK NO.  
 X021 - REFER SHEET NO.  
 1. F.F.L. -- FINISHED FLOOR LEVEL  
 2. S.F.L. -- STRUCTURAL FLOOR LEVEL  
 3. -- REVERSED DETAIL

E	23/05/22	REVISED AS PER COMMENTS	LS
D	06/04/22	REVISED AS PER COMMENTS	LS
C	16/02/22	REVISED AS PER COMMENTS	LS
B	20/12/21	REVISED AS PER COMMENTS	LS
A	03/12/21	REVISED AS PER COMMENTS	LS

J58 NO. : J-858

PROJECT : PROPOSED RESIDENTIAL DEVELOPMENT AT TKOTL 70RP, PHASE 11, LCHAS PARK TSEUNG KWAN O, N.T.

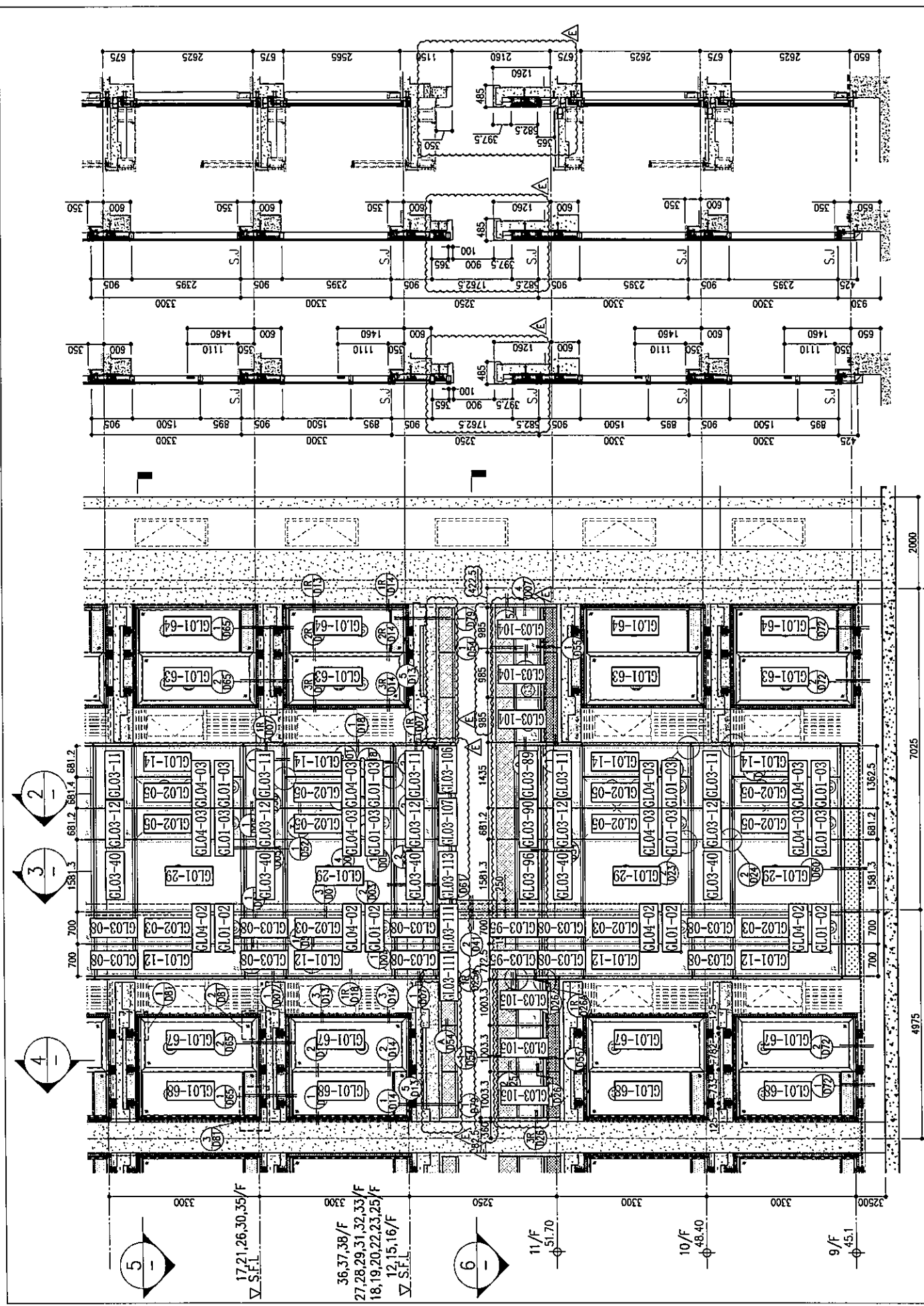
TITLE : TYPICAL FLOOR PARTIAL ELEVATION & SECTION, PLAN FOR CURTAIN WALL (TOWER 1)

DATE : 22-OCT-21 SCALE : 1:50(A1)

DRAWN BY : CHECKED BY :

美特鋁質有限公司  
 MIDIL ALUMINIUM FABRICATOR LTD.  
 Units 6-8, Sunray Industrial Centre, 1/F  
 610 Cha Kwo Ling Road, Kowloon  
 Tel:23489211-4 Fax:(852)2727666

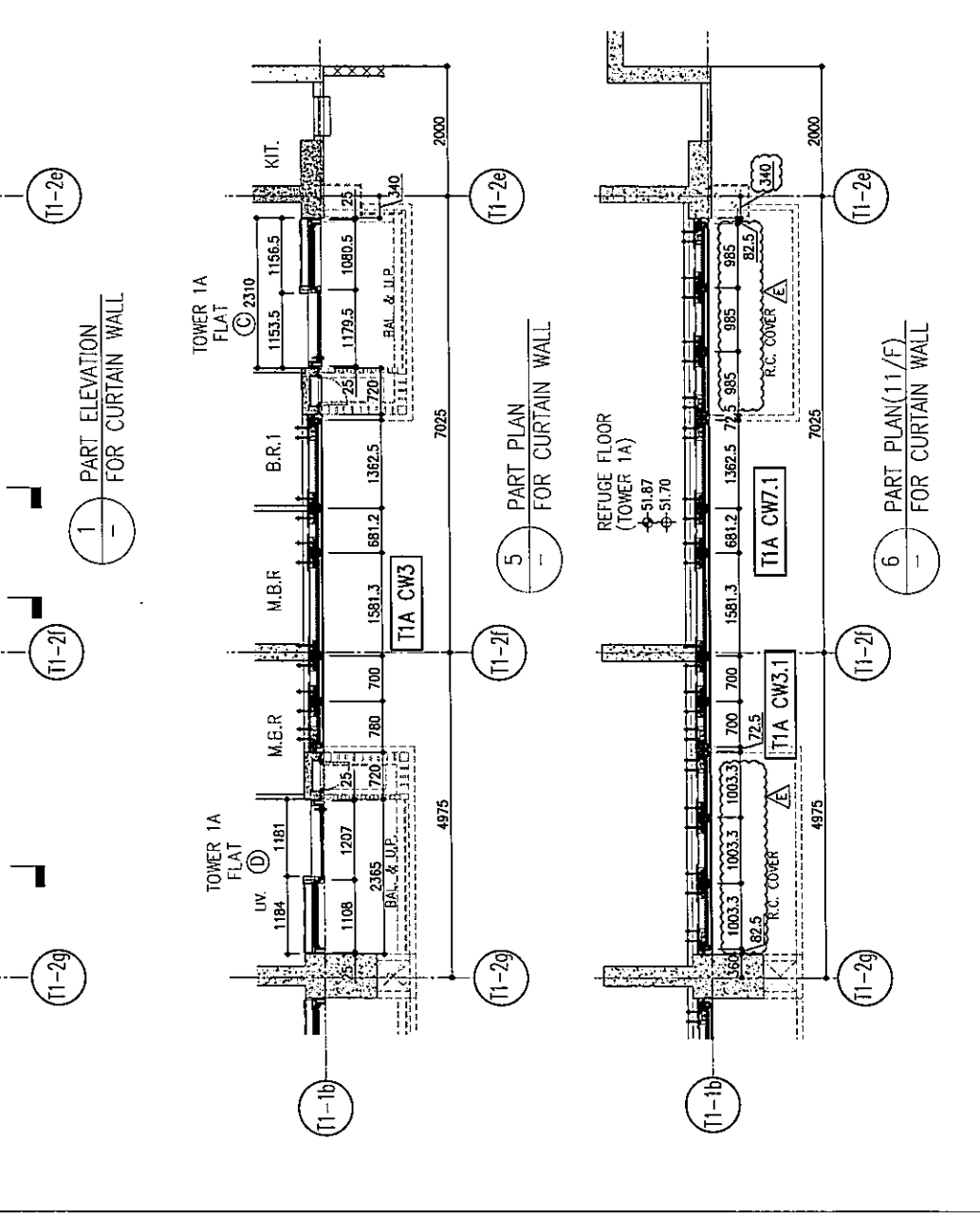
DWG NO. : J858-CW-PE112 REV. : E



26/F +91.25	39/F +130.85	52/F +170.40	R/F +203.80
25/F +87.95	38/F +127.55	51/F +167.10	F/F +200.30
23/F +84.85	37/F +124.25	50/F +163.80	F/F +196.80
22/F +81.35	36/F +120.95	49/F +160.50	F/F +193.50
21/F +78.05	35/F +117.65	48/F +157.20	F/F +190.20
20/F +74.75	33/F +114.35	47/F +153.90	F/F +186.90
19/F +71.45	32/F +111.05	46/F +150.60	F/F +183.60
18/F +68.15	31/F +107.75	45/F +147.30	F/F +180.30
17/F +64.85	30/F +104.45	43/F +144.00	F/F +177.00
16/F +61.55	29/F +101.15	42/F +140.70	F/F +173.70
15/F +58.25	28/F +97.85	41/F +137.40	
12/F +54.95	27/F +94.55	40/F +134.15	

LEGEND:

- (1) 10mm THK. HEAT STRENGTHENED GLASS (OUTSIDE) + 12mm AIR SPACE + 12mm THK. TEMPERED GLASS
- (2) 10mm THK. HEAT STRENGTHENED GLASS (OUTSIDE) + 12mm AIR SPACE + 10mm THK. TEMPERED GLASS
- (3) 12mm THK. HEAT STRENGTHENED GLASS
- (4) 12mm THK. CLEAR TEMPERED GLASS (INTERNAL PROTECTIVE BARRIER)
- (5) 10mm THK. BLUE TINTED HEAT STRENGTHENED GLASS
- (6) 10mm THK. CLEAR TEMPERED GLASS
- (7) 8mm THK. CLEAR HEAT STRENGTHENED GLASS + 1.52mm CLEAR HEAT-STRENGTHENED GLASS + 3mm THK. ALUM. CLADDING
- (8) 3mm THK. ALUM. BACKPAN
- S.J. - STACK JOINT



B.D. REF :

CLIENT : 信和置業有限公司 Sino Land Company Limited

ARCHITECT : Ronald Lu & partners  
 Associate Partner, Interior Designer  
 Ronald Lu & Partners (HK) Ltd.  
 呂元祥建築師事務所(香港)有限公司

MAIN CONTRACTOR : Gammon

STRUCTURAL ENGINEER : AECOM

FACADE CONSULTANT : AECOM

NOTE :  
 1. ALL DIMENSIONS ARE IN mm.  
 2. ALL ELEVATIONS ARE VIEWED FROM OUTSIDE.  
 3. ALL DIMENSIONS TO BE VERIFIED ON SITE BEFORE FABRICATION.

LEGEND :  
 X1 - DETAIL MARK NO.  
 X001 - REFER SHEET NO.  
 1. F.F.L. -- FINISHED FLOOR LEVEL  
 2. S.F.L. -- STRUCTURAL FLOOR LEVEL  
 3. (2) -- REVERSED DETAIL

E	23/05/22	REVISED AS PER COMMENTS	LS
D	06/04/22	REVISED AS PER COMMENTS	LS
C	17/02/22	REVISED AS PER COMMENTS	LS
B	20/12/21	REVISED AS PER COMMENTS	LS
A	03/12/21	REVISED AS PER COMMENTS	LS
NO.	DATE	REVISED	BY

JOB NO. : J-858

PROJECT : PROPOSED RESIDENTIAL DEVELOPMENT AT TKOTL 70RP, PHASE 11, LCHAS PARK TSEUNG KWAN O, N.T.

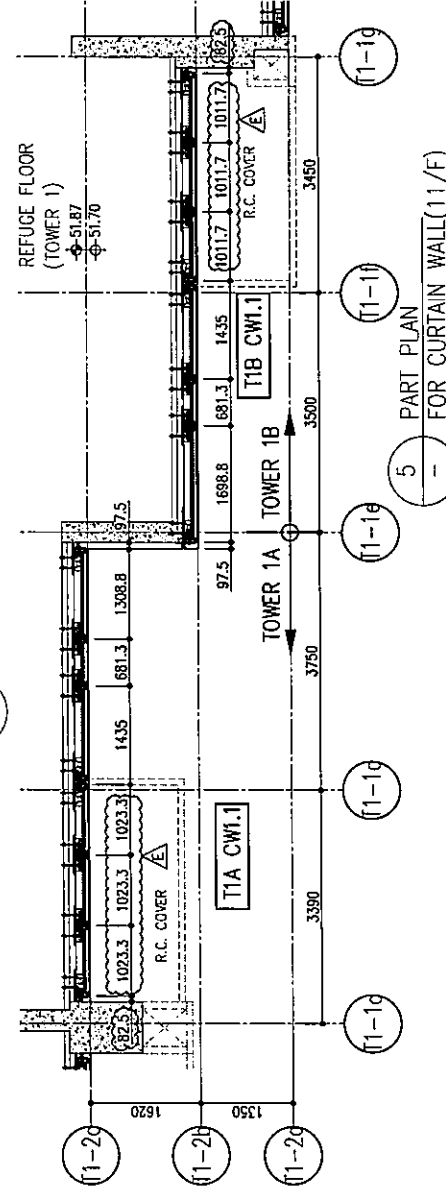
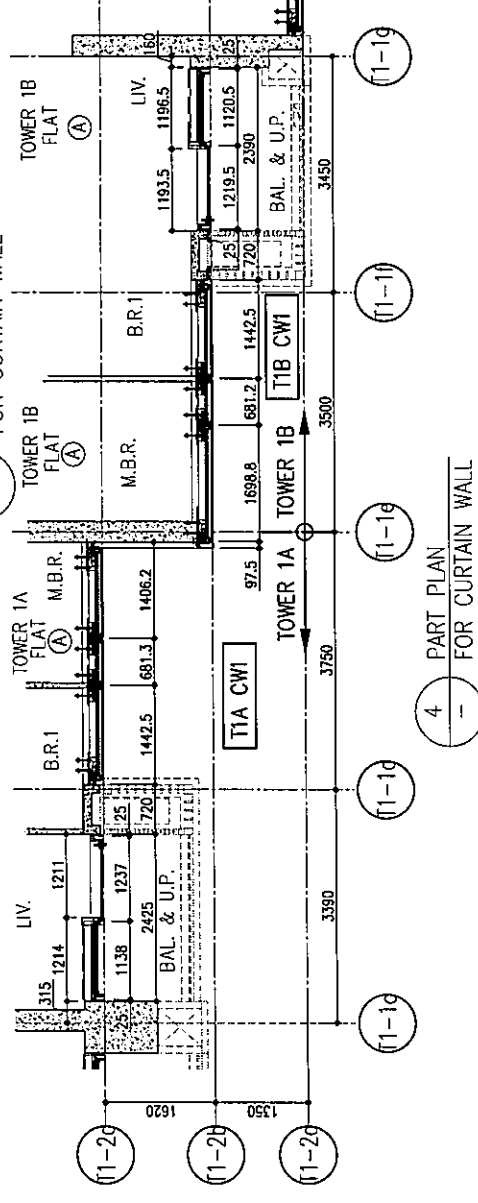
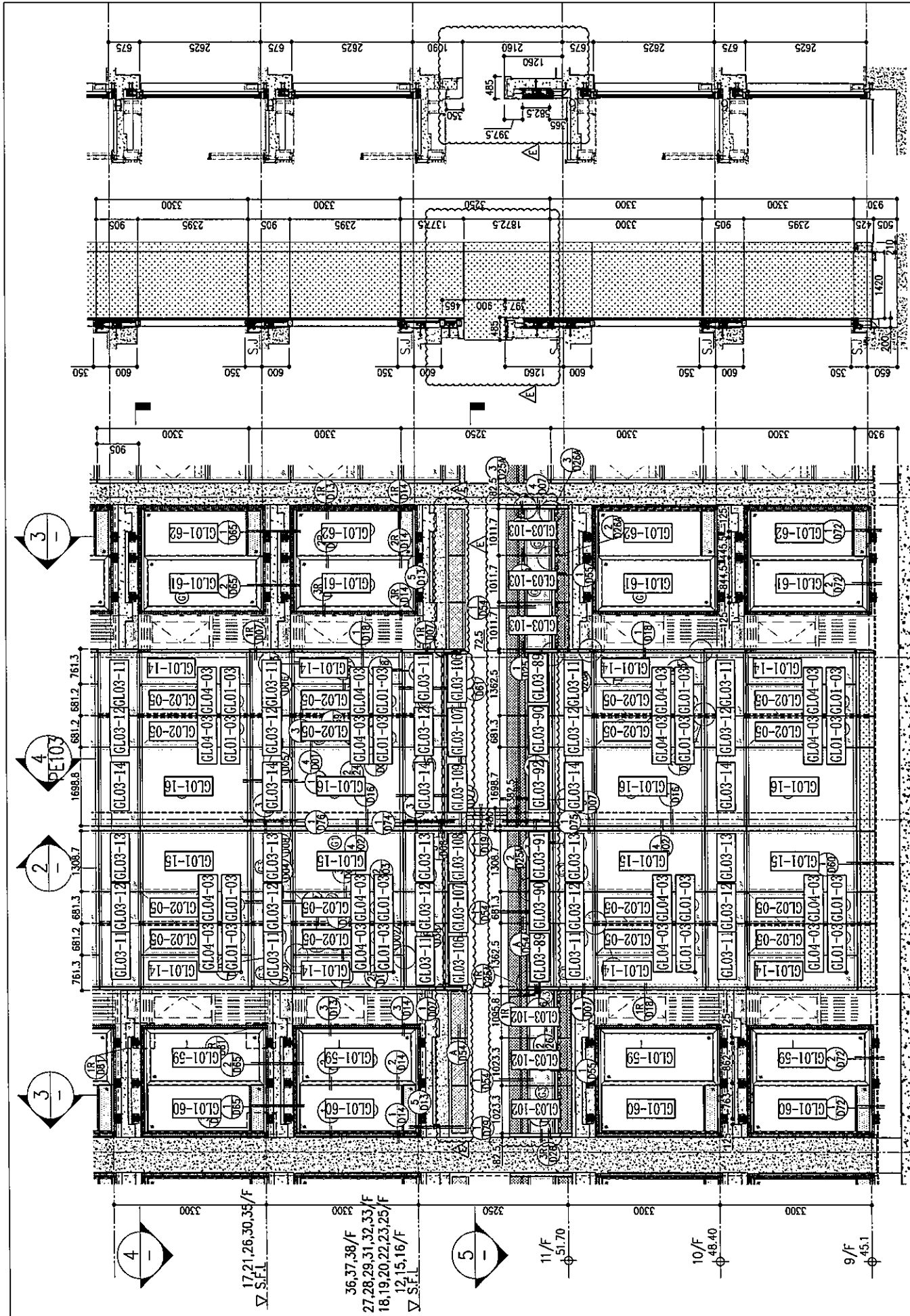
TITLE : TYPICAL FLOOR PARTIAL ELEVATION & SECTION, PLAN FOR CURTAIN WALL (TOWER 1)

DATE : 22-OCT-21 SCALE : 1:50(A1)

DRAWN BY : CHECKED BY :

美特鋁質有限公司  
 MIDI ALUMINIUM FABRICATOR LTD.  
 Units 6-8, Sunray Industrial Centre, 1/F  
 610 Cha Kwo Ling Road, Kowloon  
 Tel:23489211-4 Fax:(852)2727666

DWG NO. : J858-CW-PE114 REV. : E



26/F	+91.25	39/F	+130.89	52/F	+170.40	R/F	+203.80
25/F	+87.95	38/F	+127.55	51/F	+167.10	62/F	+200.30
23/F	+84.65	37/F	+124.25	50/F	+163.80	61/F	+196.80
22/F	+81.35	36/F	+120.95	49/F	+160.50	60/F	+193.50
21/F	+78.05	35/F	+117.65	48/F	+157.20	59/F	+190.20
20/F	+74.75	33/F	+114.35	47/F	+153.90	58/F	+186.90
19/F	+71.45	32/F	+111.05	46/F	+150.60	57/F	+183.60
18/F	+68.15	31/F	+107.75	45/F	+147.30	56/F	+180.30
17/F	+64.85	30/F	+104.45	44/F	+144.00	55/F	+177.00
16/F	+61.55	29/F	+101.15	42/F	+140.70	53/F	+173.70
15/F	+58.25	28/F	+97.85	41/F	+137.40		
12/F	+54.95	27/F	+94.55	40/F	+134.15		

LEGEND:

- 10mm THK. HEAT STRENGTHENED GLASS (OUTSIDE) + 12mm AIR SPACE + 12mm THK. TEMPERED GLASS
- 10mm THK. HEAT STRENGTHENED GLASS (OUTSIDE) + 12mm AIR SPACE + 10mm THK. TEMPERED GLASS
- 12mm THK. HEAT STRENGTHENED GLASS
- 12mm THK. CLEAR TEMPERED GLASS (INTERNAL PROTECTIVE BARRIER)
- 12mm CLEAR STRENGTHENED GLASS
- 10mm THK. CLEAR TEMPERED GLASS
- 8mm THK. CLEAR HEAT STRENGTHENED GLASS + 1.52mm CLEAR + 8mm THK. CLEAR HEAT-STRENGTHENED GLASS
- 3 mm THK. ALUM. CLADDING
- 3 mm THK. ALUM. BACKPAN
- S.J. - STACK JOINT

B.D. REF :

CLIENT : 信和置業有限公司 Sino Land Company Limited

ARCHITECT : Ronald lu & partners Architects, Interior Designers Ronald Lu & Partners (HK) Ltd. 呂元祥建築師事務所 (香港) 有限公司

MAIN CONTRACTOR : Gammon

STRUCTURAL ENGINEER : AECOM

FACADE CONSULTANT : AECOM

NOTE :

- ALL DIMENSIONS ARE IN mm.
- ALL ELEVATIONS ARE VIEWED FROM OUTSIDE.
- ALL DIMENSIONS TO BE VERIFIED ON SITE BEFORE FABRICATION.

LEGEND :

- X1 - DETAIL MARK NO.
- X001 - REFER SHEET NO.
- F.F.L. - FINISHED FLOOR LEVEL
- S.F.L. - STRUCTURAL FLOOR LEVEL
- ⊗ - REVERSED DETAIL

E	23/05/22	REVISED AS PER COMMENTS	LS
D	06/04/22	REVISED AS PER COMMENTS	LS
C	24/01/22	REVISED AS PER COMMENTS	LS
B	20/12/21	REVISED AS PER COMMENTS	LS
A	03/12/21	REVISED AS PER COMMENTS	LS
NO.	DATE	REVISED	BY

JCB NO. : J-858

PROJECT : PROPOSED RESIDENTIAL DEVELOPMENT AT TKOTL 70RP, PHASE 11, LOHAS PARK TSEUNG KWAN O, N.T.

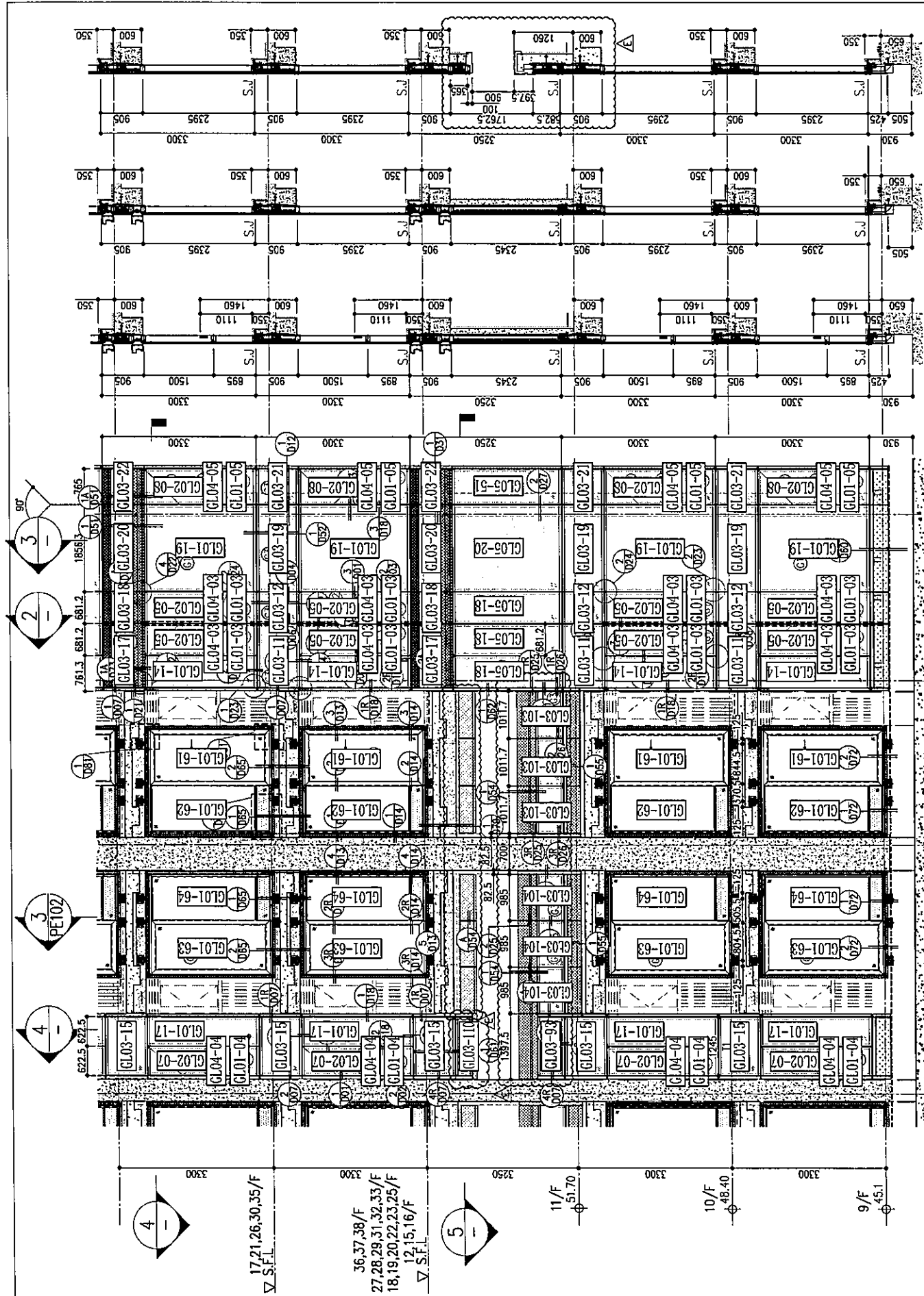
TITLE : TYPICAL FLOOR PARTIAL ELEVATION & SECTION, PLAN FOR CURTAIN WALL (TOWER 1)

DATE : 22-OCT-21 SCALE : 1:50(A1)

DRAWN BY : CHECKED BY :

美特鋁質有限公司 MIDALUMINIUM FABRICATOR LTD. Units 6-8, Sunray Industrial Centre, 1/F 610 Cha Kwo Ling Road, Kowloon Tel:23489211-4 Fax:(852)2727666

DWG NO. : J858-CW-PE102 REV. : E



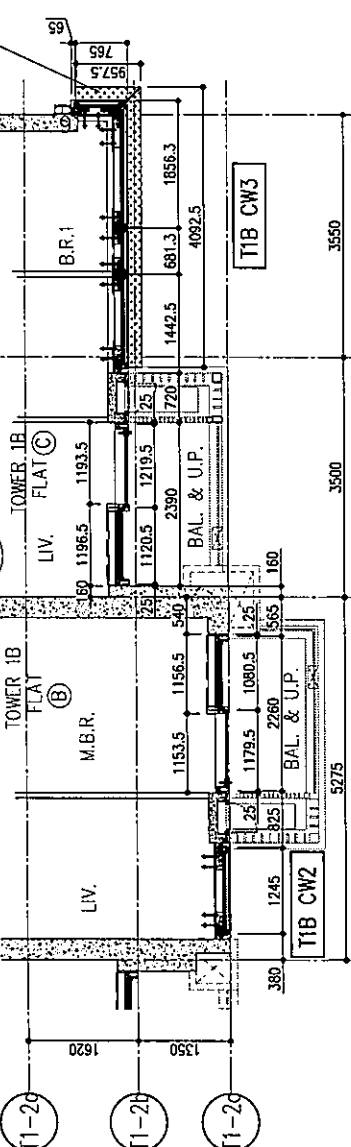
2 SECTION  
3 SECTION  
4 SECTION

ARCH. FEATURE AT 11/F, 17/F,  
21/F, 26/F, 30/F, 35/F

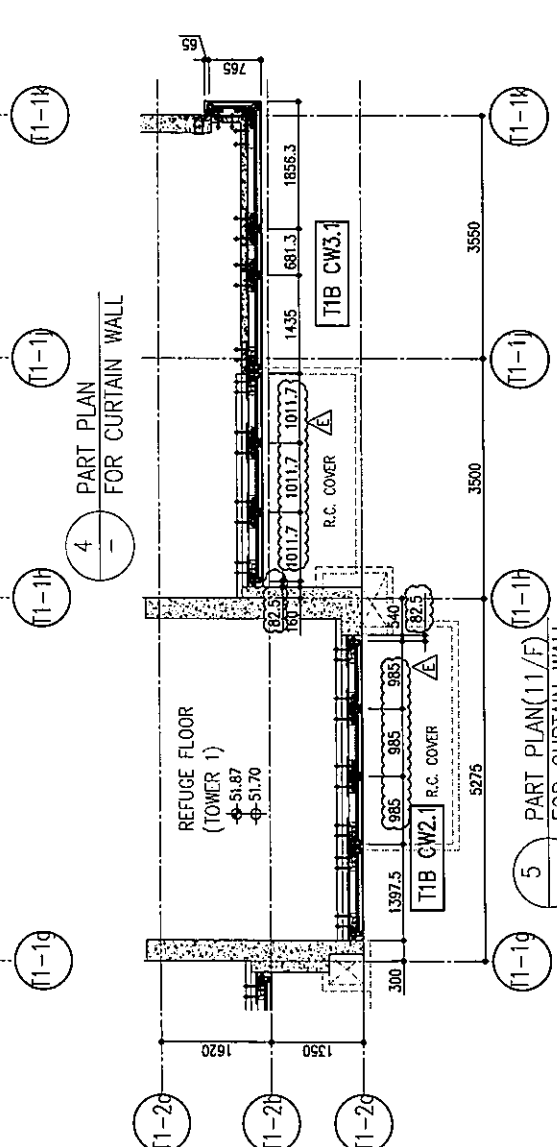
26/F	+91.25	39/F	+130.85	52/F	+170.40	R/F	+203.80
25/F	+87.95	38/F	+127.55	51/F	+167.10		
23/F	+84.65	37/F	+124.25	50/F	+163.80		
22/F	+81.35	36/F	+120.95	49/F	+160.50		
21/F	+78.05	35/F	+117.65	48/F	+157.20		
20/F	+74.75	33/F	+114.35	47/F	+153.90		
19/F	+71.45	32/F	+111.05	46/F	+150.60		
18/F	+68.15	31/F	+107.75	45/F	+147.30		
17/F	+64.85	30/F	+104.45	43/F	+144.00		
16/F	+61.55	29/F	+101.15	42/F	+140.70		
15/F	+58.25	28/F	+97.85	41/F	+137.40		
12/F	+54.95	27/F	+94.55	40/F	+134.15		

LEGEND:

- ① 10mm THK. HEAT STRENGTHENED GLASS (OUTSIDE) + 12mm AIR SPACE + 12mm THK. TEMPERED GLASS
- ② 10mm THK. HEAT STRENGTHENED GLASS (OUTSIDE) + 12mm AIR SPACE + 10mm THK. TEMPERED GLASS
- ③ 10mm THK. HEAT STRENGTHENED GLASS (OUTSIDE) + 12mm AIR SPACE + 10mm THK. TEMPERED GLASS
- ④ 12mm THK. HEAT STRENGTHENED GLASS (INTERNAL PROTECTIVE BARRIER)
- ⑤ 12mm THK. CLEAR HEAT STRENGTHENED GLASS
- ⑥ 10mm THK. CLEAR TEMPERED GLASS
- ⑦ 8mm THK. CLEAR HEAT STRENGTHENED GLASS + 1.52mm CLEAR HEAT-STRONGENED GLASS
- ⑧ 3mm THK. ALUM. CLADDING
- S.J. 3mm THK. ALUM. BACKPAN



1 PART ELEVATION FOR CURTAIN WALL



4 PART PLAN FOR CURTAIN WALL

5 PART PLAN(11/F) FOR CURTAIN WALL

B.D. REF :

CLIENT : 怡和置業有限公司 Sino Land Company Limited

ARCHITECT : Ronald Lu & Partners Ronald Lu & Partners (HK) Ltd. 呂元晉建築師事務所 (香港) 有限公司

MAIN CONTRACTOR : Gammon

STRUCTURAL ENGINEER : AECOM

FAÇADE CONSULTANT : AECOM

NOTE :  
1. ALL DIMENSIONS ARE IN mm.  
2. ALL ELEVATIONS ARE VIEWED FROM OUTSIDE.  
3. ALL DIMENSIONS TO BE VERIFIED ON SITE BEFORE FABRICATION.

LEGEND :  
X1 DETAIL MARK NO.  
X031 REFER SHEET NO.

1. F.F.L. --- FINISHED FLOOR LEVEL  
2. S.F.L. --- STRUCTURAL FLOOR LEVEL  
3. ⊕ --- REVERSED DETAIL

E	23/05/22	REVISED AS PER COMMENTS	LS
D	06/04/22	REVISED AS PER COMMENTS	LS
C	24/01/22	REVISED AS PER COMMENTS	LS
B	20/12/21	REVISED AS PER COMMENTS	LS
A	03/12/21	REVISED AS PER COMMENTS	LS
No.	DATE	REVISED	BY

JOB NO. : J-858

PROJECT : PROPOSED RESIDENTIAL DEVELOPMENT AT TKOIL 70RP, PHASE 11, LOHAS PARK TSEUNG KWAN O, N.T.

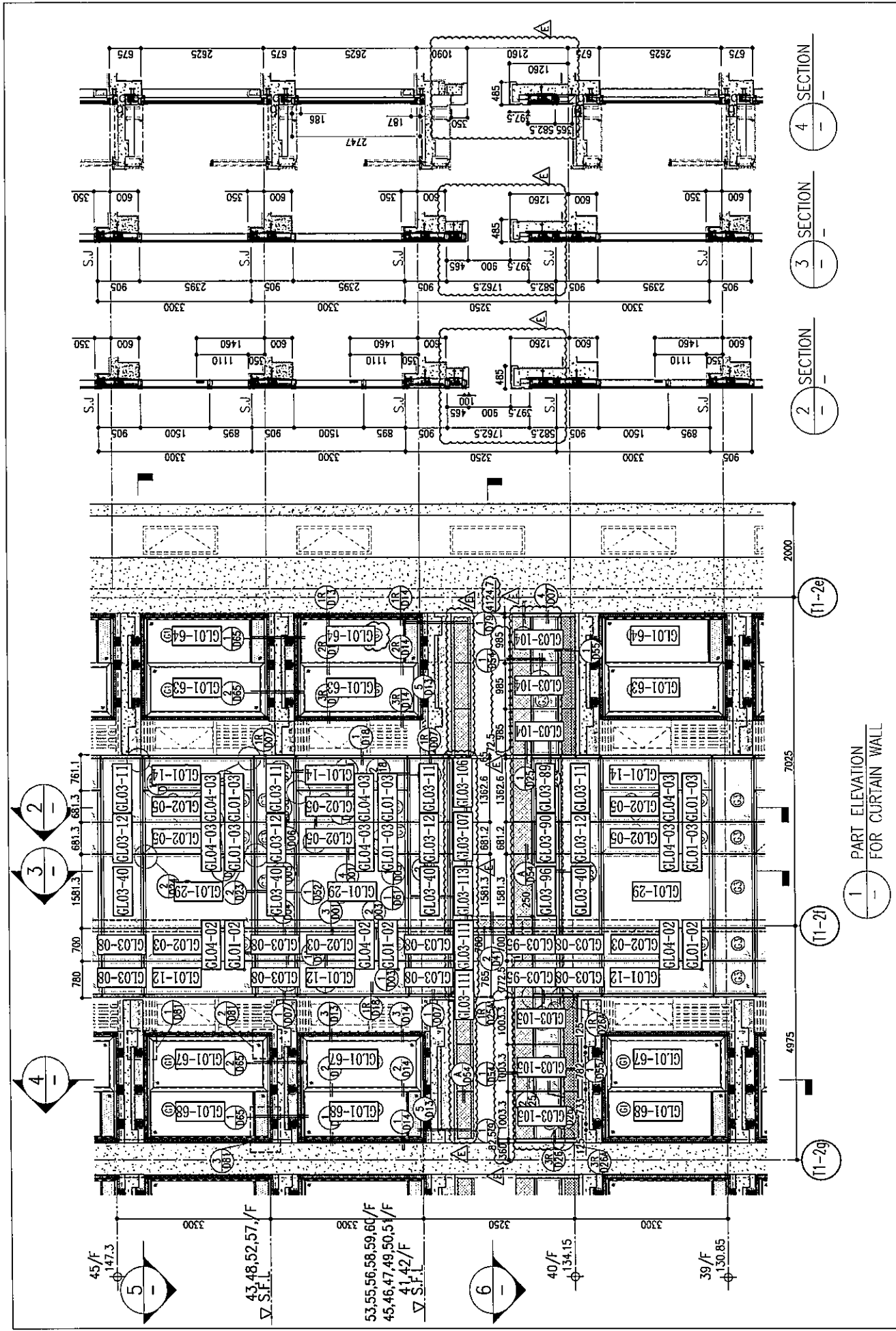
TITLE : TYPICAL FLOOR PARTIAL ELEVATION & SECTION, PLAN FOR CURTAIN WALL (TOWER 1)

DATE : 22-OCT-21 SCALE : 1:50(A1)

DRAWN BY : CHECKED BY :

美特鋁質有限公司 MIDY ALUMINIUM FABRICATOR LTD. Units 6-B, Sunray Industrial Centre, 1/F 610 Cha Kwo Ling Road, Kowloon Tel:23489211-4 Fax:(852)2727666

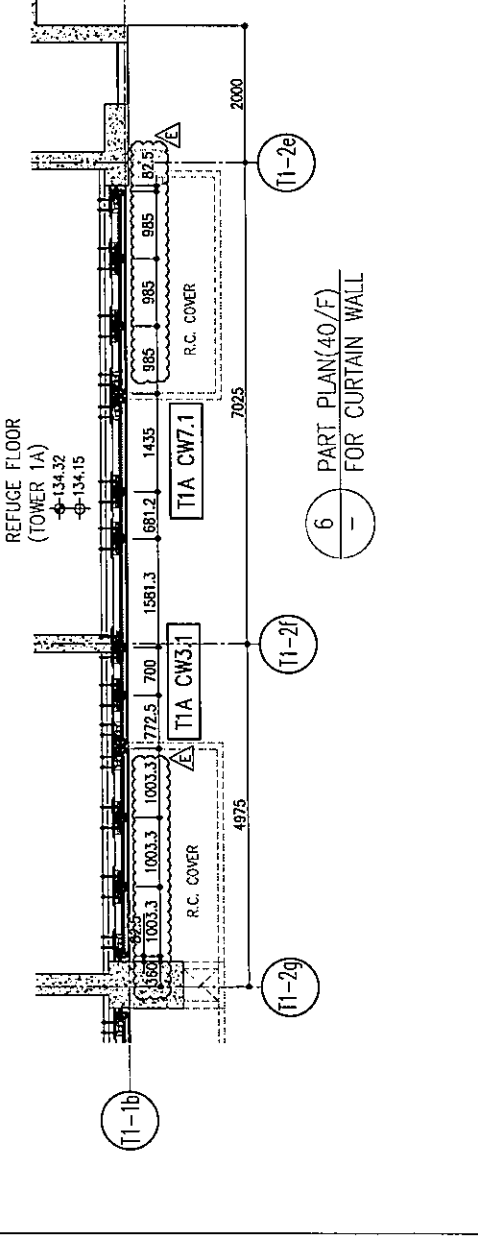
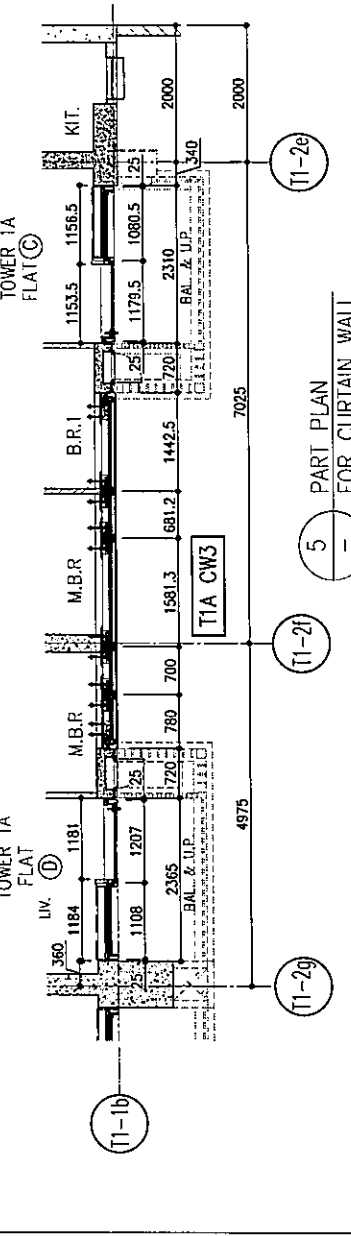
DWG NO. : JB58-CW-PE103 REV. : E



26/F	+91.25	39/F	+130.85	52/F	+170.40	R/F	+203.80
25/F	+87.95	38/F	+127.55	51/F	+167.10	62/F	+200.30
23/F	+84.65	37/F	+124.25	50/F	+163.80	61/F	+196.80
22/F	+81.35	36/F	+120.95	49/F	+160.50	60/F	+193.50
21/F	+78.05	35/F	+117.65	48/F	+157.20	59/F	+190.20
20/F	+74.75	33/F	+114.35	47/F	+153.90	58/F	+186.90
19/F	+71.45	32/F	+111.05	46/F	+150.60	57/F	+183.60
18/F	+68.15	31/F	+107.75	45/F	+147.30	56/F	+180.30
17/F	+64.85	30/F	+104.45	43/F	+144.00	55/F	+177.00
16/F	+61.55	29/F	+101.15	42/F	+140.70	53/F	+173.70
15/F	+58.25	28/F	+97.85	41/F	+137.40		
12/F	+54.95	27/F	+94.55	40/F	+134.15		

**LEGEND:**

- 10mm THK. HEAT STRENGTHENED GLASS (OUTSIDE) + 12mm AIR SPACE + 12mm THK. TEMPERED GLASS
- 10mm THK. HEAT STRENGTHENED GLASS (OUTSIDE) + 12mm AIR SPACE + 10mm THK. TEMPERED GLASS
- 12mm THK. HEAT STRENGTHENED GLASS
- 12mm THK. CLEAR TEMPERED GLASS (INTERNAL PROTECTIVE BARRIER)
- 10mm BLUE TINTED HEAT STRENGTHENED GLASS
- 10mm THK. CLEAR TEMPERED GLASS
- 8mm THK. CLEAR LAMINATED-TEMPERED GLASS + 1.52mm PVB + 8mm THK. CLEAR HEAT-STRENGTHENED GLASS
- 3 mm THK. ALUM. CLADDING
- 3 mm THK. ALUM. BACKPAN
- S.J. - STACK JOINT



B.D. REF :

CLIENT : 信和置業有限公司 Sino Land Company Limited

ARCHITECT : Ronald Lu & partners  
Ronald Lu & Partners (HK) Ltd.  
呂元祥建築師事務所 (香港) 有限公司

MAIN CONTRACTOR : Gammon

STRUCTURAL ENGINEER : AECOM

FACADE CONSULTANT : AECOM

NOTE :

- ALL DIMENSIONS ARE IN mm.
- ALL ELEVATIONS ARE VIEWED FROM OUTSIDE.
- ALL DIMENSIONS TO BE VERIFIED ON SITE BEFORE FABRICATION.

LEGEND :

- X1 - DETAIL MARK NO.
- X001 - REFER SHEET NO.
- 1. F.F.L. -- FINISHED FLOOR LEVEL
- 2. S.F.L. -- STRUCTURAL FLOOR LEVEL
- 3. (with circle and arrow) -- REVERSED DETAIL

E	23/05/22	REVISED AS PER COMMENTS	LS
D	06/04/22	REVISED AS PER COMMENTS	LS
C	17/01/22	REVISED AS PER COMMENTS	LS
B	20/12/21	REVISED AS PER COMMENTS	LS
A	03/12/21	REVISED AS PER COMMENTS	LS
NO.	DATE	REVISED	BY

JOB NO. : J-858

PROJECT : PROPOSED RESIDENTIAL DEVELOPMENT AT TKOIL 70RP, PHASE 11, LOHAS PARK TSEUNG KWAN O, N.T.

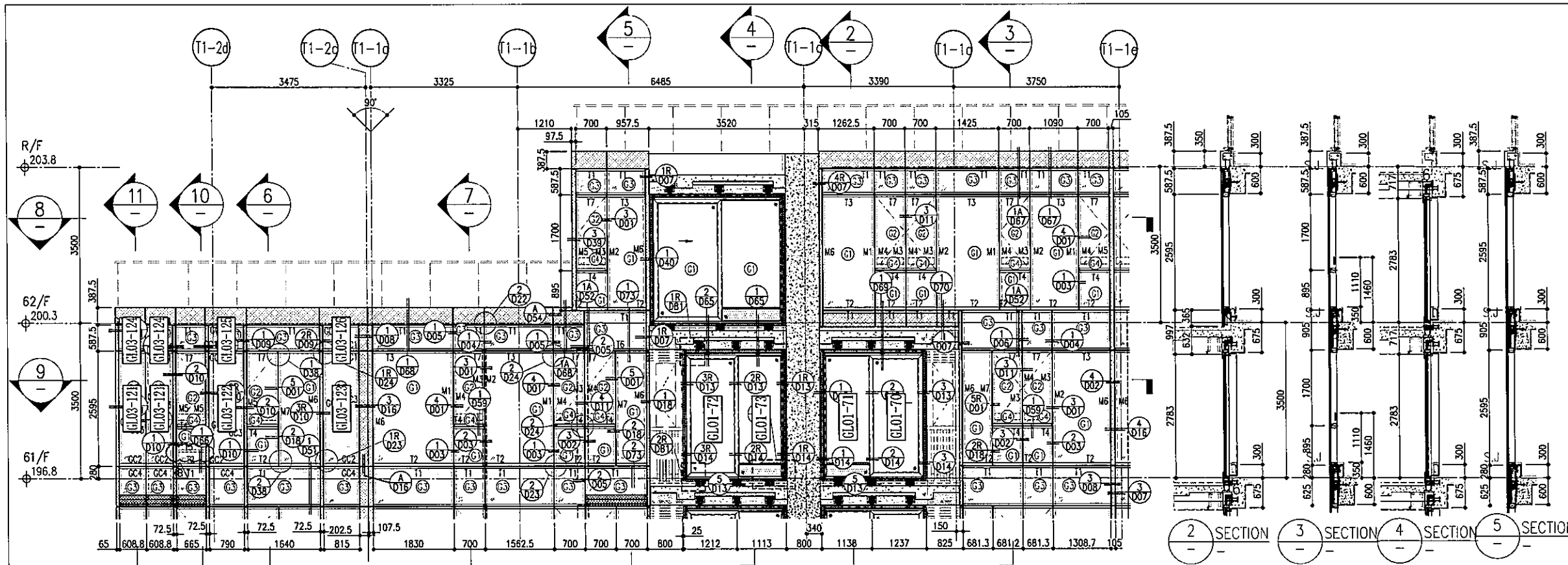
TITLE : TYPICAL FLOOR PARTIAL ELEVATION & SECTION, PLAN FOR CURTAIN WALL (TOWER 1)

DATE : 22-OCT-21 SCALE : 1:50(A1)

DRAWN BY : CHECKED BY :

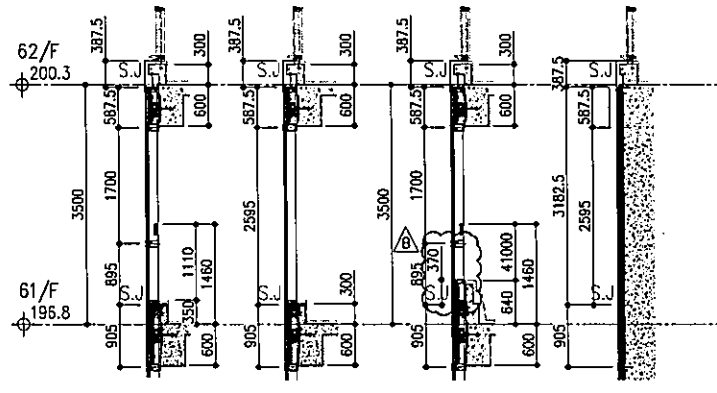
美特鋁質有限公司  
MIDI ALUMINIUM FABRICATOR LTD.  
Units 6-8, Sunray Industrial Centre, 1/F  
610 Cha Kwo Ling Road, Kowloon  
Tel: 23489211-4 Fax: (852) 2727666

DWG NO. : J858-CW-PE116 REV. : E

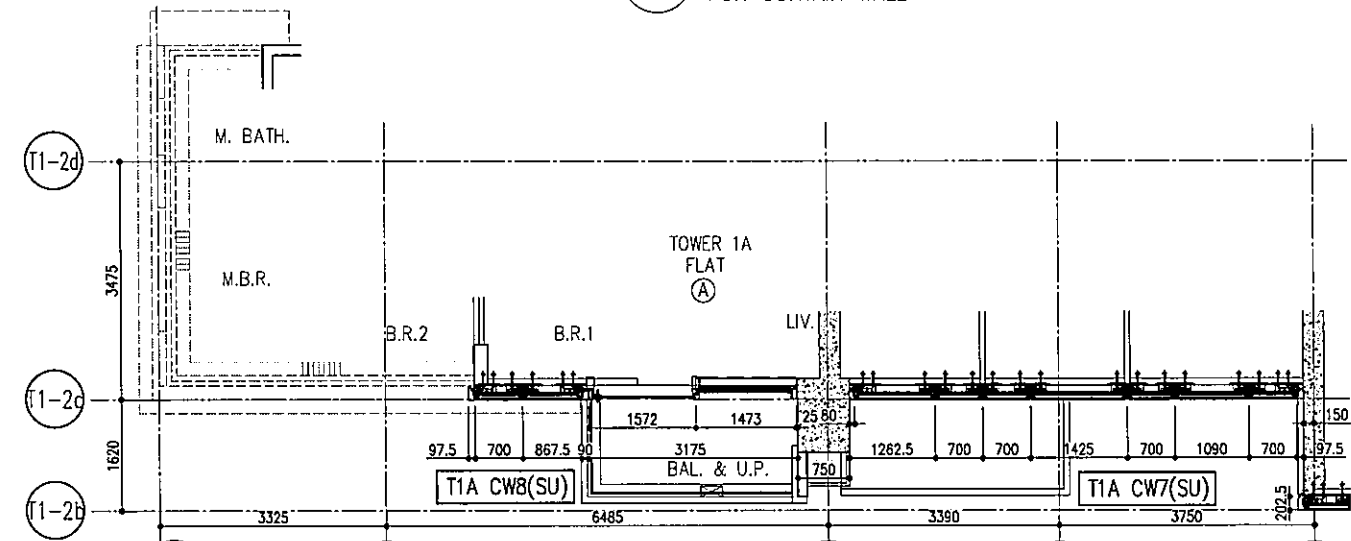


1 PART ELEVATION FOR CURTAIN WALL

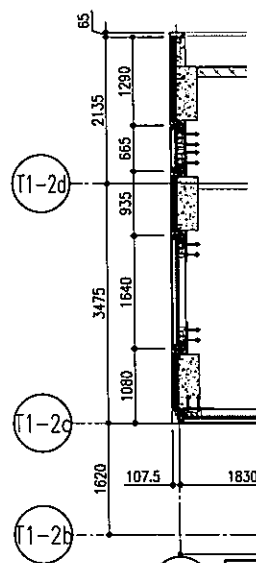
2 SECTION 3 SECTION 4 SECTION 5 SECTION



6 SECTION 7 SECTION 10 SECTION 11 SECTION



8 PART PLAN(62/F) FOR CURTAIN WALL



9 PART PLAN(61/F) FOR CURTAIN WALL

- LEGEND:**
- 10mm THK. HEAT STRENGTHENED GLASS (OUTSIDE) +12mm AIR SPACE + 12mm THK. TEMPERED GLASS
  - 10mm THK. HEAT STRENGTHENED GLASS (OUTSIDE) +12mm AIR SPACE + 10mm THK. TEMPERED GLASS
  - 12mm THK. HEAT STRENGTHENED GLASS
  - 12mm THK. CLEAR TEMPERED GLASS (INTERNAL PROTECTIVE BARRIER)
  - 12mm CLEAR HEAT STRENGTHENED GLASS
  - 10mm THK. CLEAR HEAT-STRENGTHENED GLASS +9mm AIR SPACE +10mm CLEAR TEMPERED GLASS
  - 8mm THK. CLEAR HEAT-STRENGTHENED GLASS +1.52mm AIR SPACE + 8mm THK. CLEAR HEAT-STRENGTHENED GLASS
  - 3 mm THK. ALUM. CLADDING
  - 3 mm THK. ALUM. BACKPAN
  - STACK JOINT

B.D. REF :

CLIENT : 信和置業有限公司 Sino Land Company Limited

ARCHITECT : Ronald Lu & Partners Architects, Planners, Interior Designers Ronald Lu & Partners (HK) Ltd. 呂元仲建築師事務所 (香港) 有限公司

MAIN CONTRACTOR : Gammon

STRUCTURAL ENGINEER : AECOM

FACADE CONSULTANT : AECOM

**NOTE:**

- ALL DIMENSIONS ARE IN mm.
- ALL ELEVATIONS ARE VIEWED FROM OUTSIDE.
- ALL DIMENSIONS TO BE VERIFIED ON SITE BEFORE FABRICATION.

**LEGEND:**

- DETAIL MARK NO.
- REFER SHEET NO.
- 1. F.F.L. -- FINISHED FLOOR LEVEL
- 2. S.F.L. -- STRUCTURAL FLOOR LEVEL
- 3. -- REVERSED DETAIL

B	26/05/22	REVISED AS PER COMMENTS	LS
A	13/04/22	REVISED AS PER COMMENTS	LS
NO.	DATE	REVISED	BY

JOB NO. : J-858

PROJECT : PROPOSED RESIDENTIAL DEVELOPMENT AT TKOIL 70RP, PHASE 11, LCHAS PARK TSEUNG KWAN O, N.T.

TITLE : PENTHOUSE FLOOR PARTIAL ELEVATION & SECTION, PLAN FOR CURTAIN WALL (TOWER 1)

DATE : 12-JAN-22 SCALE : 1:50(A1)

DRAWN BY : CHECKED BY :

**美特鋁質有限公司**  
MIDI ALUMINIUM FABRICATOR LTD.  
Units 6-8, Sunray Industrial Centre, 1/F  
61D Che Kwo Ling Road, Kowloon  
Tel:23489211-4 Fax:(852)2727666

CWG NO. : J858-CW-PE117 REV. : B

B.D. REF :

CLIENT :  
信和置業有限公司  
Sino Land Company Limited

ARCHITECT :  
ronald lu & partners  
Architects, Planners, Interior Designers  
Ronald Lu & Partners (HK) Ltd.  
呂元祥建築師事務所 (香港) 有限公司

MAIN CONTRACTOR :  
Gammon

STRUCTURAL ENGINEER :  
AECOM

FACADE CONSULTANT :  
AECOM

NOTE :  
1. ALL DIMENSIONS ARE IN mm.  
2. ALL ELEVATIONS ARE VIEWED FROM OUTSIDE.  
3. ALL DIMENSIONS TO BE VERIFIED ON SITE BEFORE FABRICATION.

LEGEND :  
X1 - DETAIL MARK NO.  
X001 - REFER SHEET NO.

1. F.F.L. -- FINISHED FLOOR LEVEL  
2. S.F.L. -- STRUCTURAL FLOOR LEVEL  
3. (R) -- REVERSED DETAIL

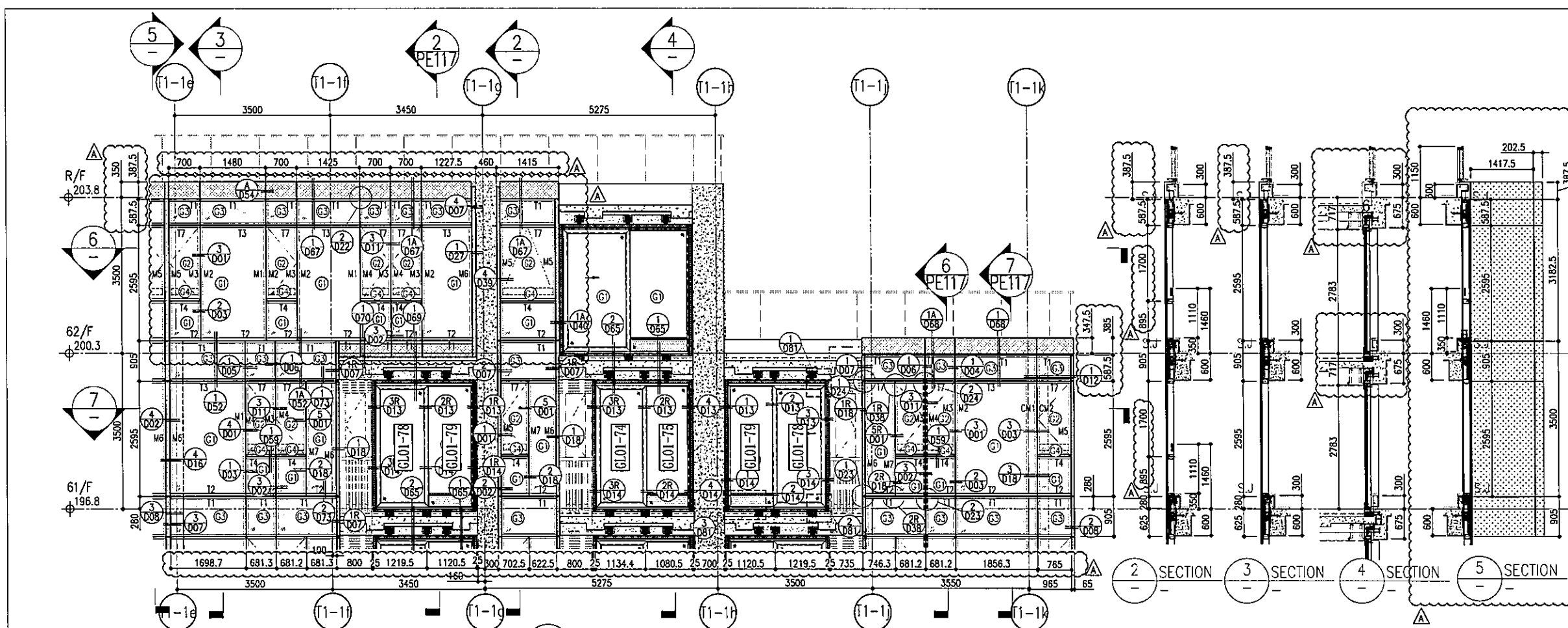
A	NO.	DATE	REVISED AS PER COMMENTS	LS
	13/04/22		REVISED	BY

JOB NO. : J-858  
PROJECT : PROPOSED RESIDENTIAL DEVELOPMENT AT TKOIL 70RP, PHASE 11, LCHAS PARK TSEUNG KWAN O, N.T.

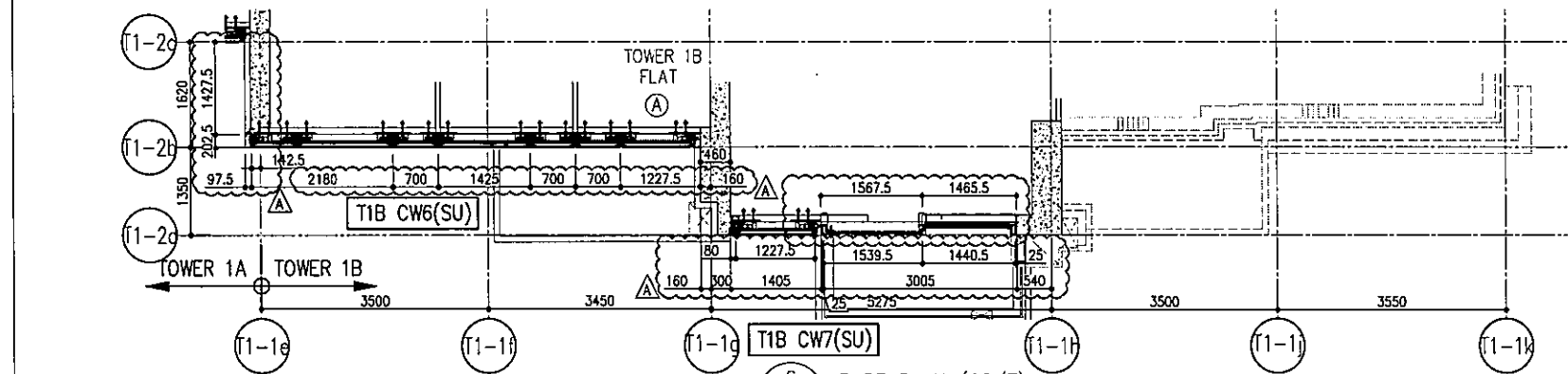
TITLE : PENTHOUSE FLOOR PARTIAL ELEVATION & SECTION, PLAN FOR CURTAIN WALL (TOWER 1)

DATE : 12-JAN-22 SCALE : 1:50(A1)  
DRAWN BY : CHECKED BY :

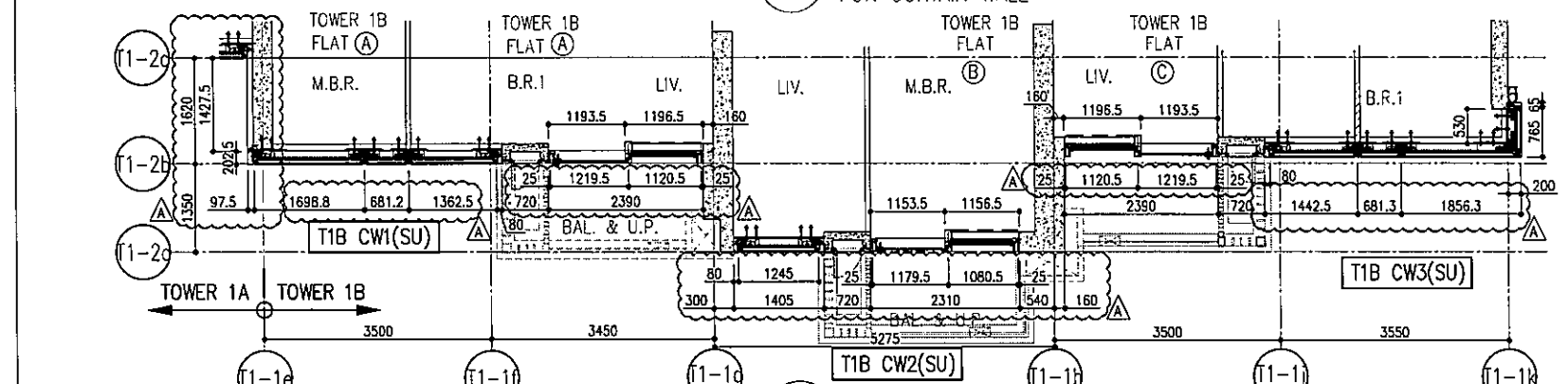
美特鋁質有限公司  
MIDI ALUMINIUM FABRICATOR LTD.  
Units 6-8, Sunray Industrial Centre, 1/F  
610 Cho Kwo Ling Road, Kowloon  
Tel:23489211-4 Fax:(852)2727666  
DWG NO. : J858-CW-PE11B REV. : A



1 PART ELEVATION FOR CURTAIN WALL



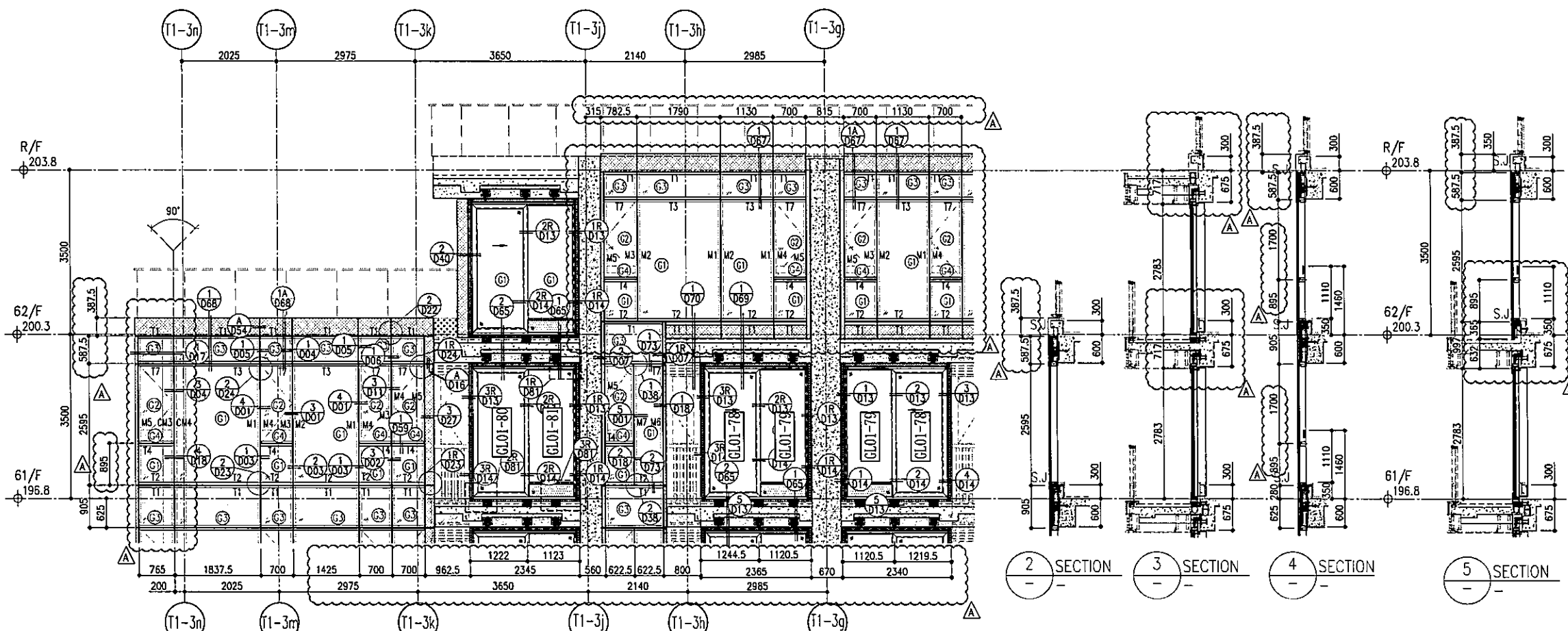
6 PART PLAN (62/F) FOR CURTAIN WALL



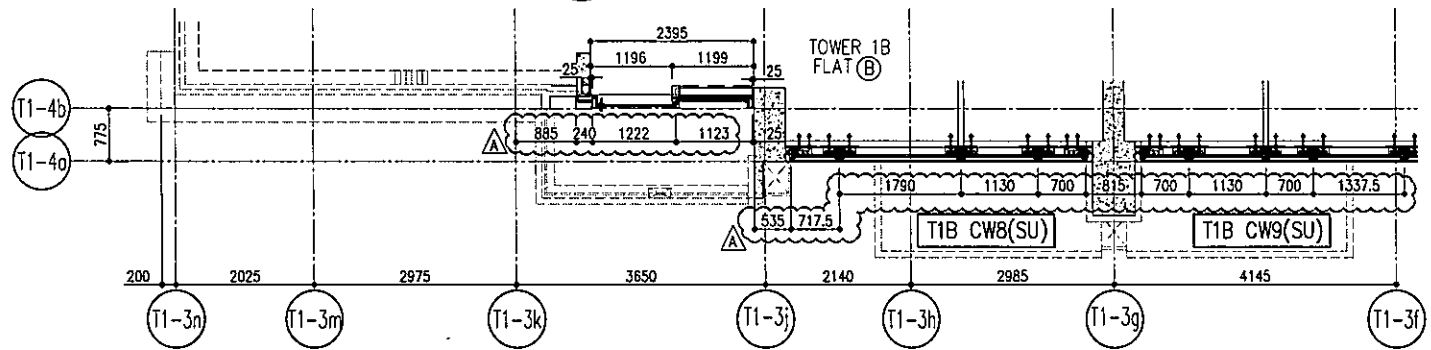
7 PART PLAN (61/F) FOR CURTAIN WALL

LEGEND:

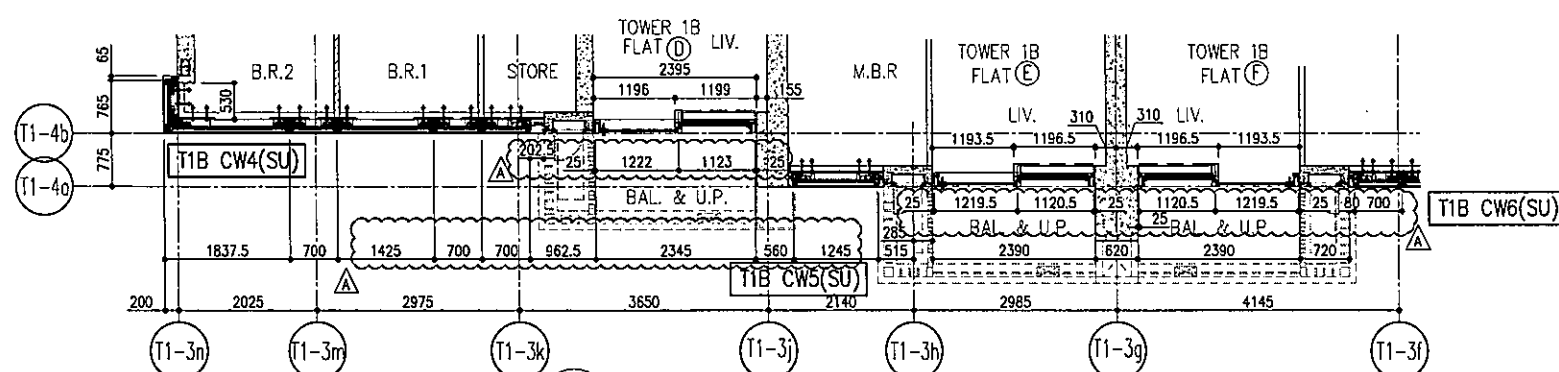
- 10mm THK. HEAT STRENGTHENED GLASS (OUTSIDE) +12mm AIR SPACE + 12mm THK. TEMPERED GLASS
- 10mm THK. HEAT STRENGTHENED GLASS (OUTSIDE) +12mm AIR SPACE + 10mm THK. TEMPERED GLASS
- 12mm THK. HEAT STRENGTHENED GLASS
- 12mm THK. CLEAR TEMPERED GLASS ( INTERNAL PROTECTIVE BARRIER )
- 12mm CLEAR HEAT STRENGTHENED GLASS
- 10mm THK. CLEAR HEAT STRENGTHENED GLASS +9mm AIR SPACE +10mm CLEAR TEMPERED GLASS
- 8mm THK. CLEAR HEAT STRENGTHENED GLASS +1.52mm ALU/B + 8mm THK. CLEAR HEAT-STRENGTHENED GLASS
- 3 mm THK. ALUM. CLADDING
- 3 mm THK. ALUM. BACKPAN
- S.J. - STACK JOINT



1 PART ELEVATION FOR CURTAIN WALL



6 PART PLAN(62/F) FOR CURTAIN WALL



7 PART PLAN(61/F) FOR CURTAIN WALL

2 SECTION  
3 SECTION  
4 SECTION  
5 SECTION

- LEGEND:**
- 10mm THK. HEAT STRENGTHENED GLASS (OUTSIDE) + 12mm AIR SPACE + 12mm THK. TEMPERED GLASS
  - 10mm THK. HEAT STRENGTHENED GLASS (OUTSIDE) + 12mm AIR SPACE + 10mm THK. TEMPERED GLASS
  - 12mm THK. HEAT STRENGTHENED GLASS
  - 12mm THK. CLEAR TEMPERED GLASS (INTERNAL PROTECTIVE BARRIER)
  - 12mm CLEAR HEAT STRENGTHENED GLASS
  - 10mm THK. CLEAR HEAT STRENGTHENED GLASS + 9mm AIR SPACE + 10mm CLEAR TEMPERED GLASS
  - 8mm THK. CLEAR HEAT STRENGTHENED GLASS + 1.52mm ALUM. CLADDING + 8mm THK. CLEAR HEAT STRENGTHENED GLASS
  - 3mm THK. ALUM. CLADDING
  - 3mm THK. ALUM. BACKPAN
  - S.J. - STACK JOINT

B.D. REF :

CLIENT :  
 信和置業有限公司  
 Sino Land Company Limited

ARCHITECT :  
 ronald lu & partners  
 Architects, Planners, Interior Designers  
 Ronald Lu & Partners (HK) Ltd.  
 呂元祥建築師事務所(香港)有限公司

MAIN CONTRACTOR :  
 Gammon

STRUCTURAL ENGINEER :  
 AECOM

FACADE CONSULTANT:  
 AECOM

**NOTE:**

- ALL DIMENSIONS ARE IN mm.
- ALL ELEVATIONS ARE VIEWED FROM OUTSIDE.
- ALL DIMENSIONS TO BE VERIFIED ON SITE BEFORE FABRICATION.

**LEGEND:**

- X1 - DETAIL MARK NO.
- X03 - REFER SHEET NO.

- F.F.L. -- FINISHED FLOOR LEVEL
- S.F.L. -- STRUCTURAL FLOOR LEVEL
- ⊕ -- REVERSED DETAIL

NO.	DATE	REVISED AS PER COMMENTS	LS
A	13/04/22	REVISED AS PER COMMENTS	LS

JOB NO. : J-858

PROJECT :  
 PROPOSED RESIDENTIAL DEVELOPMENT  
 AT TKOYL 70RP, PHASE 11, LOHAS PARK  
 TSEUNG KWAN O, N.T.

TITLE :  
 PENTHOUSE FLOOR PARTIAL  
 ELEVATION & SECTION, PLAN  
 FOR CURTAIN WALL (TOWER 1)

DATE : 12-JAN-22      SCALE : 1:50(A1)

CRAWN BY :      CHECKED BY :

美特鋁質有限公司  
 MIDI ALUMINUM FABRICATOR LTD.  
 Units 6-8, Sunray Industrial Centre, 1/F  
 610 Che Kwa Ling Road, Kowloon  
 Tel:23489211-4 Fax:(852)2727866

CW6 NO. : J858-CW-PE119      REV. : A

B.D. REF :

CLIENT :  
信和置業有限公司  
Sino Land Company Limited

ARCHITECT :  
ronald lu & partners  
Ronald Lu & Partners (HK) Ltd.  
呂元特建築師事務所 (香港) 有限公司

MAIN CONTRACTOR :  
Gammon

STRUCTURAL ENGINEER :  
AECOM

FACADE CONSULTANT :  
AECOM

NOTE :  
1. ALL DIMENSIONS ARE IN mm.  
2. ALL ELEVATIONS ARE VIEWED FROM OUTSIDE.  
3. ALL DIMENSIONS TO BE VERIFIED ON SITE BEFORE FABRICATION.  
LEGEND :  
X1 - DETAIL MARK NO.  
X031 - REFER SHEET NO.  
1. F.F.L. -- FINISHED FLOOR LEVEL  
2. S.F.L. -- STRUCTURAL FLOOR LEVEL  
3. (R) -- REVERSED DETAIL

A	13/04/22	REVISED AS PER COMMENTS	LS
NO.	DATE	REMOVED	BY

JOB NO. : J-858  
PROJECT : PROPOSED RESIDENTIAL DEVELOPMENT AT TKOIL 70RP, PHASE 11, LOHAS PARK TSEUNG KWAN O, N.T.

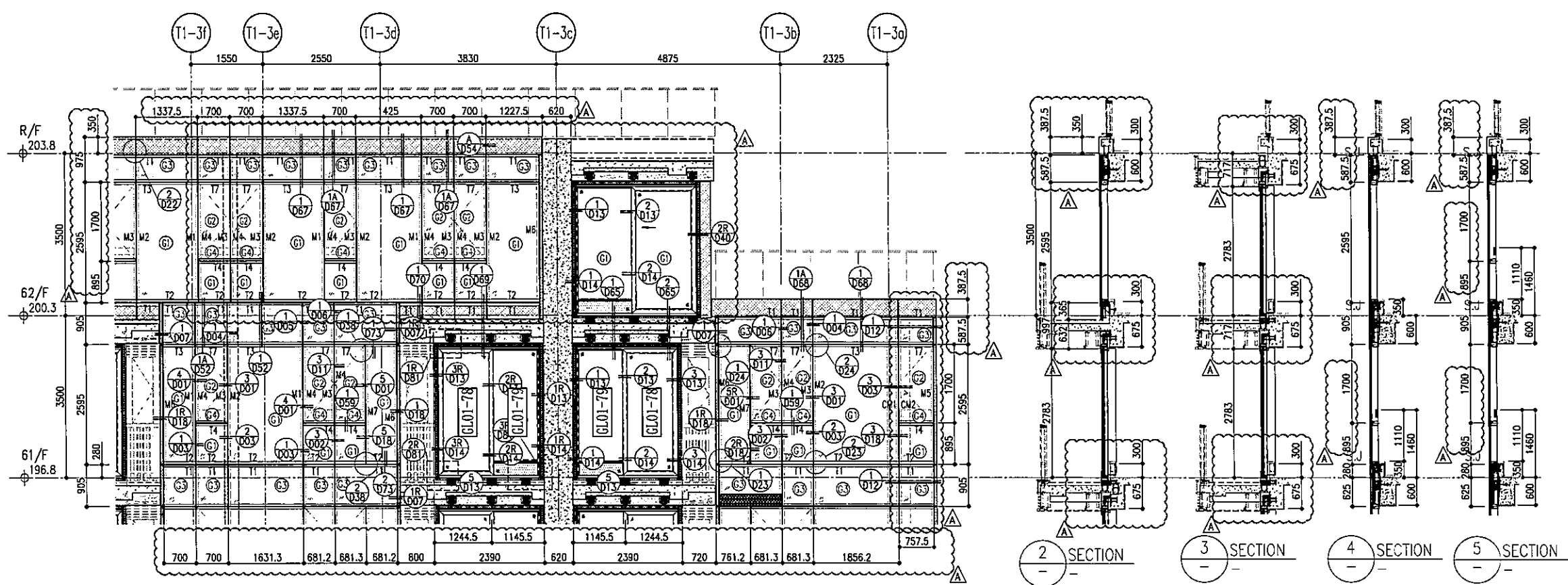
TITLE : PENTHOUSE FLOOR PARTIAL ELEVATION & SECTION, PLAN FOR CURTAIN WALL (TOWER 1)

DATE : 12-JAN-22 SCALE : 1:50(A1)

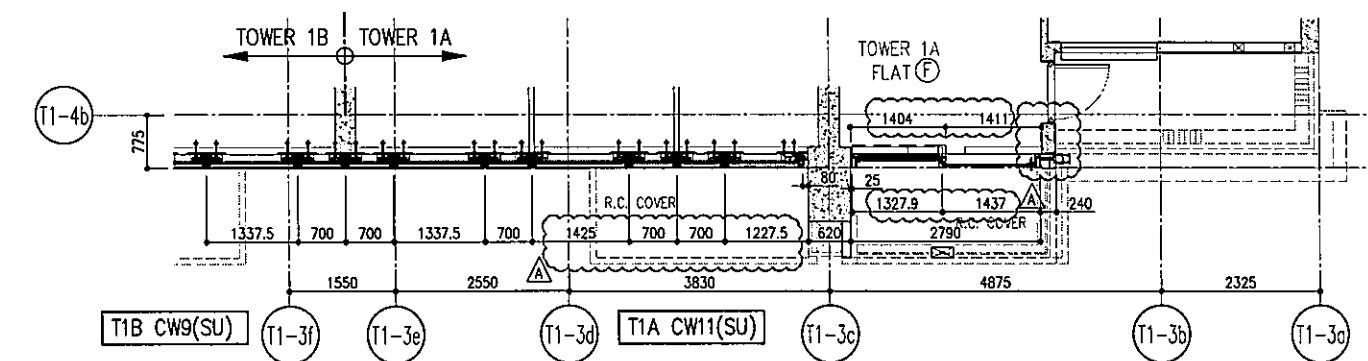
DRAWN BY : CHECKED BY :

美特鋁質有限公司  
MIDI ALUMINIUM FABRICATOR LTD.  
Units 6-8, Sunray Industrial Centre, 1/F  
610 Cho Kwo Ling Road, Kowloon  
Tel: 23489211-4 Fax: (852) 27727656

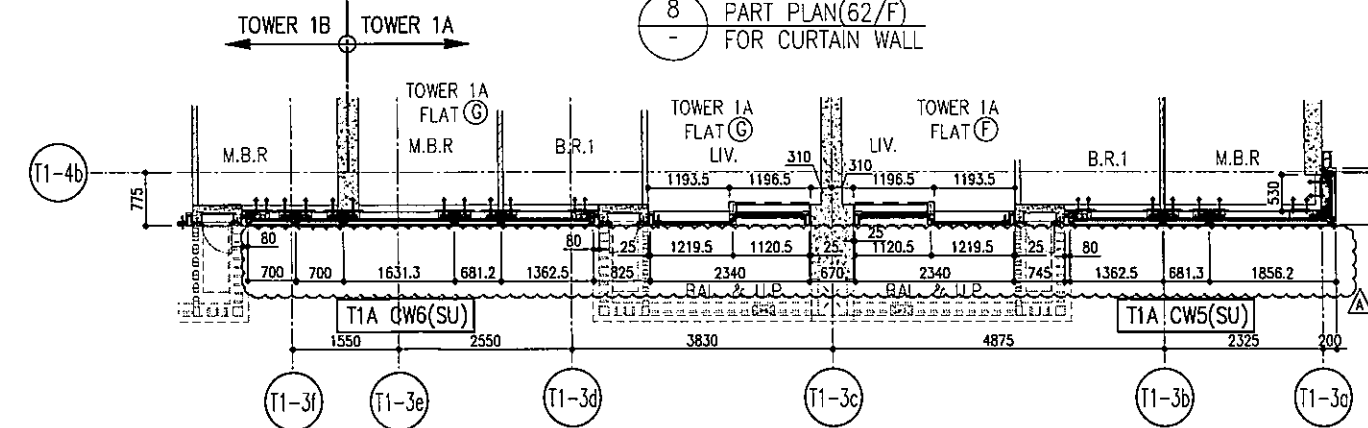
CWG NO. : J858-CW-PE120 REV. : A



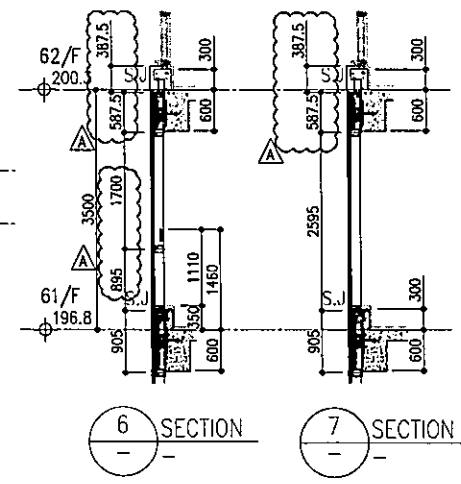
1 PART ELEVATION FOR CURTAIN WALL



8 PART PLAN(62/F) FOR CURTAIN WALL

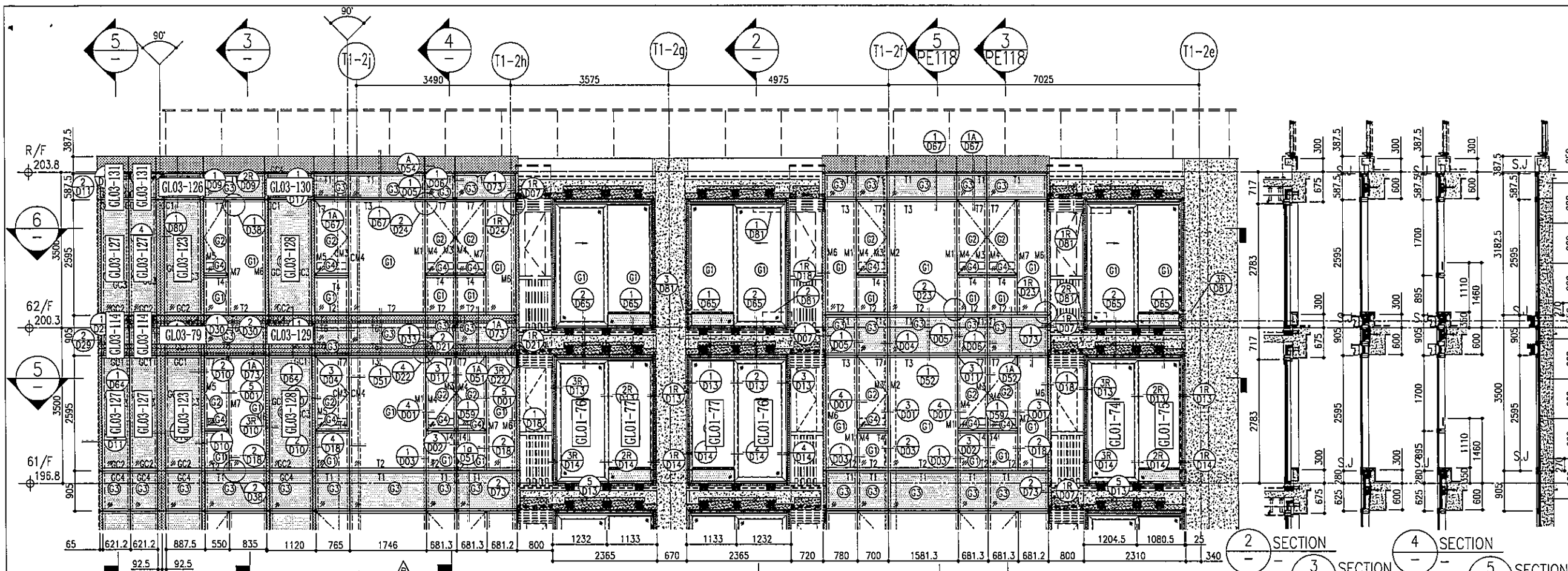


9 PART PLAN(61/F) FOR CURTAIN WALL



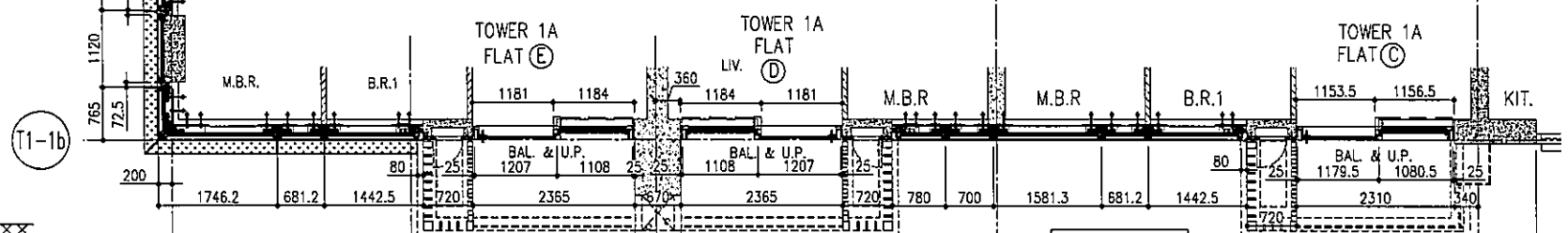
6 SECTION 7 SECTION

- LEGEND:
- (G1) 10mm THK. HEAT STRENGTHENED GLASS (OUTSIDE) + 12mm AIR SPACE + 12mm THK. TEMPERED GLASS
  - (G2) 10mm THK. HEAT STRENGTHENED GLASS (OUTSIDE) + 12mm AIR SPACE + 10mm THK. TEMPERED GLASS
  - (G3) 12mm THK. HEAT STRENGTHENED GLASS
  - (G4) 12mm THK. CLEAR TEMPERED GLASS (INTERNAL PROTECTIVE BARRIER)
  - (G5) 12mm CLEAR HEAT STRENGTHENED GLASS
  - (G6) 10mm THK. CLEAR HEAT-STRENGTHENED GLASS + 9mm AIR SPACE + 10mm CLEAR TEMPERED GLASS
  - (G7) 8mm THK. CLEAR HEAT-STRENGTHENED GLASS + 1.52mm (1/8") + 8mm THK. CLEAR HEAT-STRENGTHENED GLASS
  - (G8) 3mm THK. ALUM. CLADDING
  - (G9) 3mm THK. ALUM. BACKPAN
  - S.J. - STACK JOINT

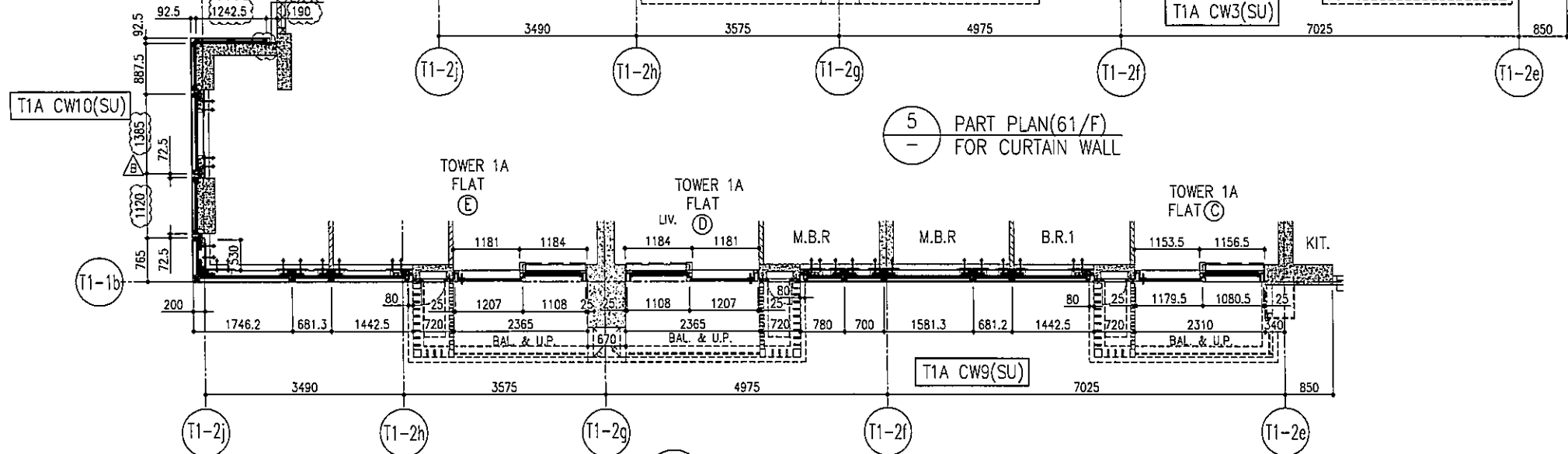


1 PART ELEVATION FOR CURTAIN WALL

T1A CW4(SU)



5 PART PLAN(61/F) FOR CURTAIN WALL



6 PART PLAN(62/F) FOR CURTAIN WALL

LEGEND:

- (G1) 10mm THK. HEAT STRENGTHENED GLASS (OUTSIDE) +12mm AIR SPACE + 12mm THK. TEMPERED GLASS
- (G2) 10mm THK. HEAT STRENGTHENED GLASS (OUTSIDE) +12mm AIR SPACE + 10mm THK. TEMPERED GLASS
- (G3) 12mm THK. HEAT STRENGTHENED GLASS
- (G4) 12mm THK. CLEAR TEMPERED GLASS ( INTERNAL PROTECTIVE BARRIER )
- (G5) 12mm CLEAR HEAT STRENGTHENED GLASS
- (G6) 10mm THK. CLEAR HEAT-STRENGTHENED GLASS +9mm AIR SPACE +10mm CLEAR TEMPERED GLASS
- (G7) 8mm THK. CLEAR HEAT-STRENGTHENED GLASS +1.52mm ALU. CLADDING + 8mm THK. CLEAR HEAT-STRENGTHENED GLASS
- (G8) 3 mm THK. ALUM. CLADDING
- (G9) 3 mm THK. ALUM. BACKPAN
- S.J. - STACK JOINT

B.D. REF :

CLIENT :  
 信和置業有限公司  
 Sino Land Company Limited

ARCHITECT :  
 ronald lu & partners  
 Architects, Planners, Interior Designers  
 Ronald Lu & Partners (HK) Ltd.  
 呂元祥建築師事務所 (香港) 有限公司

MAIN CONTRACTOR :  
 Gammon

STRUCTURAL ENGINEER :  
 AECOM

FAÇADE CONSULTANT:  
 AECOM

NOTE:  
 1. ALL DIMENSIONS ARE IN mm.  
 2. ALL ELEVATIONS ARE VIEWED FROM OUTSIDE.  
 3. ALL DIMENSIONS TO BE VERIFIED ON SITE BEFORE FABRICATION.

LEGEND:  
 (X1) - DETAIL MARK NO.  
 (X001) - REFER SHEET NO.  
 1. F.F.L. --- FINISHED FLOOR LEVEL  
 2. S.F.L. --- STRUCTURAL FLOOR LEVEL  
 3. (R) --- REVERSED DETAIL

B	24/05/22	REVISED AS PER COMMENTS	LS
A	13/04/22	REVISED AS PER COMMENTS	LS
NO.	DATE	REVISED	BY

JOB NO. : J-B58  
 PROJECT :  
 PROPOSED RESIDENTIAL DEVELOPMENT  
 AT TKOTL 70RP, PHASE 11, LOHAS PARK  
 TSEUNG KWAN O, N.T.

TITLE :  
 PENTHOUSE FLOOR PARTIAL  
 ELEVATION & SECTION, PLAN  
 FOR CURTAIN WALL ( TOWER 1 )

DATE : 12-JAN-22 SCALE : 1:50(A1)  
 DRAWN BY : CHECKED BY :

美特鋁質有限公司  
 MIDI ALUMINIUM FABRICATOR LTD.  
 Units 6-8, Sunray Industrial Centre, 1/F  
 610 Cho Kwo Ling Road, Kowloon  
 Tel:23489211-4 Fax:(852)2772666

DWG NO. : J858-CW-PE121 REV. : B

