



工程指示 / 要求簡箋(E.I.)

工程指示編號：EI / 4978 / 22

修改版次： A

工程編號： J - 858

工程名稱：將軍澳日出康城 11

工程項目：試水箱 單元件加工圖

收件人：生統

發件人： Ant Yeung

日期：20/08/2022

要求提供 / 確認 事項：

- | | | |
|------------------------------------|-------------------------------------|-------------------------------|
| <input type="checkbox"/> 初步鋁料 B.M. | <input type="checkbox"/> 加工拆圖，然後生產 | <input type="checkbox"/> 尺寸表 |
| <input type="checkbox"/> 正式鋁料 B.M. | <input type="checkbox"/> 技術上資料 / 指示 | <input type="checkbox"/> 報價 |
| <input type="checkbox"/> 配件 B.M. | <input type="checkbox"/> 樣辦或貨品說明書 | <input type="checkbox"/> 分判合約 |

內容：

內容：

請按加工圖生產送試水場，試水場地址在 EI 4672 21 件單元

A 版：更正窗玉編號

請留意: 1) 老闆指示：21 件試水場單元件需要 100%於廠內水槽試水，需按 EI4916 封企料孔

2) 10 隻生窗，廠內測試開關窗。需特別留意轉角窗

3) 出貨時連 DZ-01 吊運碼 2 對。

4) 需要安裝吊船扣，出貨連吊船針。

謝謝！

請在 2022.08.24 前完成上列要求。

附：8 頁

原合約工程包

原合約工程加 / 減賬

新工程報價

分發東莞各部門：

- | | | | |
|--|--|--|---|
| <input type="checkbox"/> 生產技術總監 <input type="checkbox"/> 連附件 | <input type="checkbox"/> 技術部 <input type="checkbox"/> 連附件 | <input type="checkbox"/> 生產部 <input type="checkbox"/> 連附件 | <input type="checkbox"/> 機械設計部 <input type="checkbox"/> 連附件 |
| <input type="checkbox"/> 採購部 <input type="checkbox"/> 連附件 | <input checked="" type="checkbox"/> 生產統籌部 <input type="checkbox"/> 連附件 | <input type="checkbox"/> 小羅 & 清 <input type="checkbox"/> 連附件 | |
| <input checked="" type="checkbox"/> 質檢部 <input type="checkbox"/> 連附件 | <input type="checkbox"/> 會計部 <input type="checkbox"/> 連附件 | <input type="checkbox"/> 報關組 <input type="checkbox"/> 連附件 | <input type="checkbox"/> 其他 <u>楊榮輝</u> <input type="checkbox"/> 連附件 |

分發香港各部門：

- | | | | | |
|---|--|---|--|----|
| <input type="checkbox"/> 行政部 <input type="checkbox"/> 連附件 | <input type="checkbox"/> 會計部 <input type="checkbox"/> 連附件 | <input type="checkbox"/> 統籌部 <input type="checkbox"/> 連附件 | <input type="checkbox"/> 工程部地盤科文 <input type="checkbox"/> 連附件 | 寶城 |
| <input type="checkbox"/> 採購部 <input type="checkbox"/> 連附件 | <input type="checkbox"/> QS 部 <input type="checkbox"/> 連附件 | <input type="checkbox"/> 維修部 <input type="checkbox"/> 連附件 | <input type="checkbox"/> 其他 _____ <input type="checkbox"/> 連附件 | |

傳遞編號：

HK 1382 / 22

發件人簽署：

項目經理簽署：

10203
10910

B.B. REF :

CLIENT: **新地置业有限公司**
Sino Land Company Limited

ARCHITECT: **Donald Lu**
Sino Land Company Limited

STRUCTURAL ENGINEER: **Gammon**

MECHANICAL ENGINEER: **AECOM**

ELECTRICAL ENGINEER: **AECOM**

FAÇADE CONSULTANT: **AECOM**

NOTE:

1. ALL DIMENSIONS ARE IN mm.
2. ALL DIMENSIONS ARE TO FACE UNLESS OTHERWISE SPECIFIED.
3. ALL DIMENSIONS TO BE VERIFIED ON SITE BEFORE FABRICATION.

LEGEND:

① - DETAIL MARK NO.

② - REFER SHEET NO.

③ - FINISHED FLOOR LEVEL

④ - STRUCTURAL FLOOR LEVEL

⑤ - REVEALED DETAIL

PROJECT: PROPOSED RESIDENTIAL DEVELOPMENT AT 'MOTI' TOWER, PHASE 11, LOMA PARK, TSEUNG KWAN O, N.T.

DATE: 28-04-22

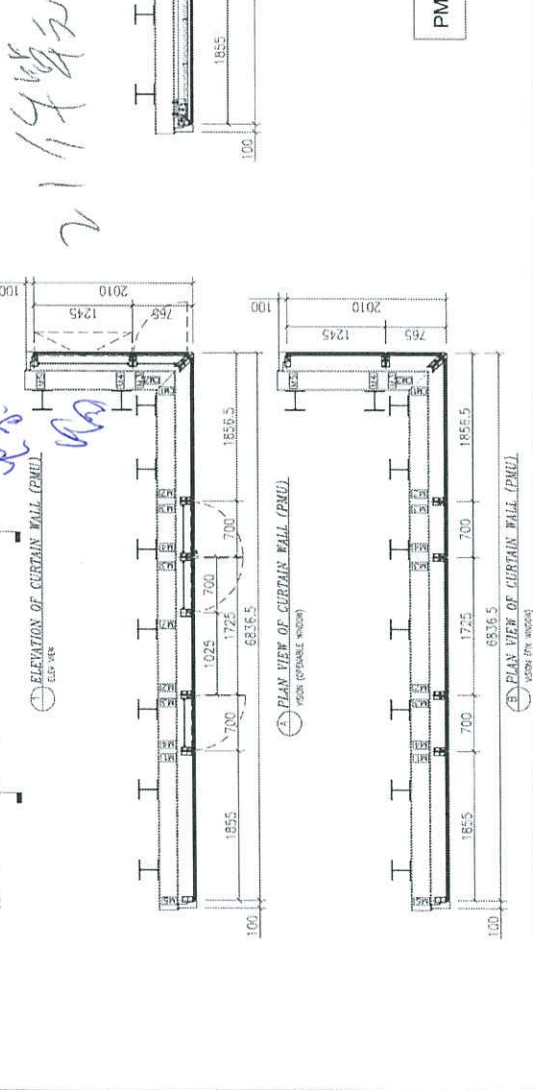
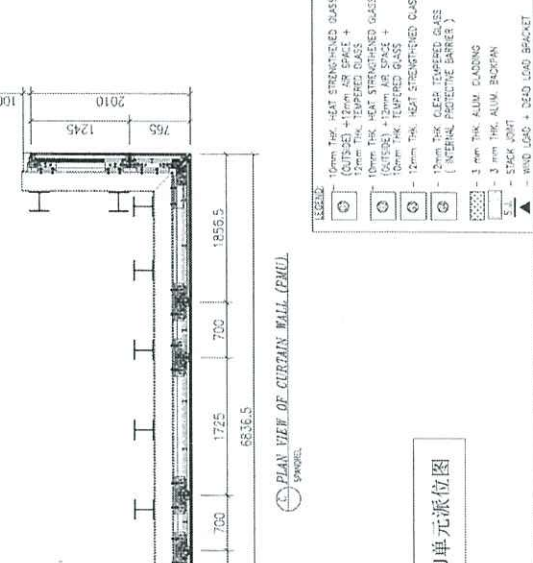
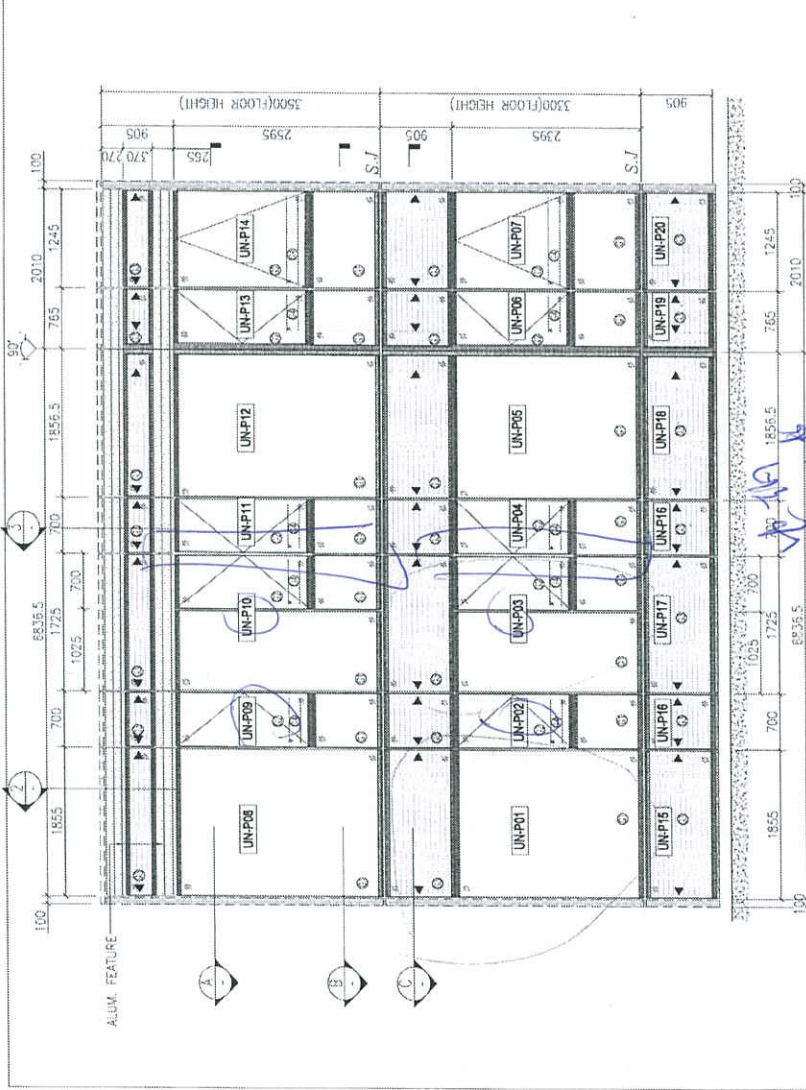
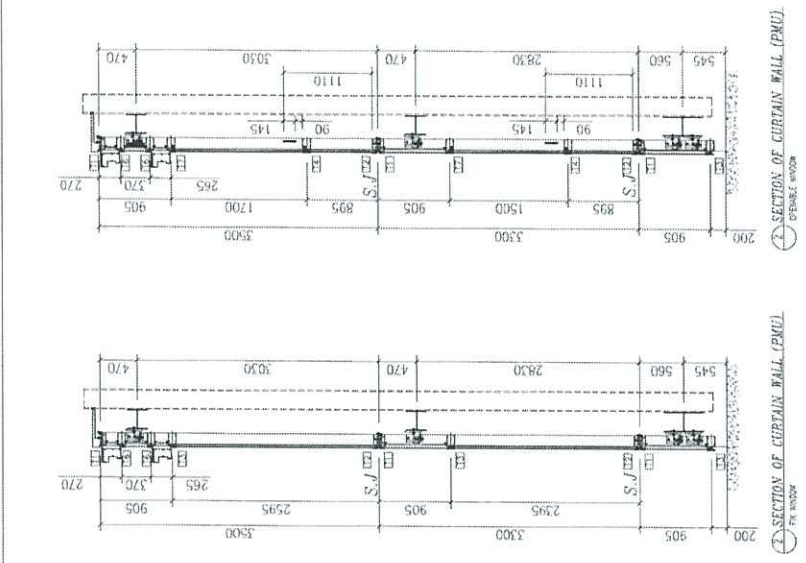
CHECKED BY: [Signature]

SCALE: 1:60(A3)

DESIGNED BY: [Signature]

TITLE: PARTIAL ELEVATION, SECTION AND PLAN OF CURTAIN WALL PERFORMANCE TEST

PROJECT NO.: 10849-PT-PC101

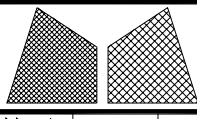


LEGEND:

- ① 10mm THK HEAT STRENGTHENED GLASS (OUTSIDE) + 12mm AIR SPACE + 12mm THK TEMPERED GLASS
- ② 10mm THK HEAT STRENGTHENED GLASS (OUTSIDE) + 12mm AIR SPACE + 12mm THK TEMPERED GLASS
- ③ 10mm THK HEAT STRENGTHENED GLASS (OUTSIDE) + 12mm AIR SPACE + 12mm THK TEMPERED GLASS
- ④ 10mm THK HEAT STRENGTHENED GLASS (OUTSIDE) + 12mm AIR SPACE + 12mm THK TEMPERED GLASS
- ⑤ 10mm THK HEAT STRENGTHENED GLASS (OUTSIDE) + 12mm AIR SPACE + 12mm THK TEMPERED GLASS
- ⑥ 10mm THK HEAT STRENGTHENED GLASS (OUTSIDE) + 12mm AIR SPACE + 12mm THK TEMPERED GLASS
- ⑦ 10mm THK HEAT STRENGTHENED GLASS (OUTSIDE) + 12mm AIR SPACE + 12mm THK TEMPERED GLASS
- ⑧ 10mm THK HEAT STRENGTHENED GLASS (OUTSIDE) + 12mm AIR SPACE + 12mm THK TEMPERED GLASS
- ⑨ 10mm THK HEAT STRENGTHENED GLASS (OUTSIDE) + 12mm AIR SPACE + 12mm THK TEMPERED GLASS
- ⑩ 10mm THK HEAT STRENGTHENED GLASS (OUTSIDE) + 12mm AIR SPACE + 12mm THK TEMPERED GLASS
- ⑪ 10mm THK HEAT STRENGTHENED GLASS (OUTSIDE) + 12mm AIR SPACE + 12mm THK TEMPERED GLASS
- ⑫ 10mm THK HEAT STRENGTHENED GLASS (OUTSIDE) + 12mm AIR SPACE + 12mm THK TEMPERED GLASS
- ⑬ 10mm THK HEAT STRENGTHENED GLASS (OUTSIDE) + 12mm AIR SPACE + 12mm THK TEMPERED GLASS
- ⑭ 10mm THK HEAT STRENGTHENED GLASS (OUTSIDE) + 12mm AIR SPACE + 12mm THK TEMPERED GLASS
- ⑮ 10mm THK HEAT STRENGTHENED GLASS (OUTSIDE) + 12mm AIR SPACE + 12mm THK TEMPERED GLASS
- ⑯ 10mm THK HEAT STRENGTHENED GLASS (OUTSIDE) + 12mm AIR SPACE + 12mm THK TEMPERED GLASS
- ⑰ 10mm THK HEAT STRENGTHENED GLASS (OUTSIDE) + 12mm AIR SPACE + 12mm THK TEMPERED GLASS
- ⑱ 10mm THK HEAT STRENGTHENED GLASS (OUTSIDE) + 12mm AIR SPACE + 12mm THK TEMPERED GLASS
- ⑲ 10mm THK HEAT STRENGTHENED GLASS (OUTSIDE) + 12mm AIR SPACE + 12mm THK TEMPERED GLASS
- ⑳ 10mm THK HEAT STRENGTHENED GLASS (OUTSIDE) + 12mm AIR SPACE + 12mm THK TEMPERED GLASS
- ㉑ 10mm THK HEAT STRENGTHENED GLASS (OUTSIDE) + 12mm AIR SPACE + 12mm THK TEMPERED GLASS
- ㉒ 10mm THK HEAT STRENGTHENED GLASS (OUTSIDE) + 12mm AIR SPACE + 12mm THK TEMPERED GLASS
- ㉓ 10mm THK HEAT STRENGTHENED GLASS (OUTSIDE) + 12mm AIR SPACE + 12mm THK TEMPERED GLASS
- ㉔ 10mm THK HEAT STRENGTHENED GLASS (OUTSIDE) + 12mm AIR SPACE + 12mm THK TEMPERED GLASS
- ㉕ 10mm THK HEAT STRENGTHENED GLASS (OUTSIDE) + 12mm AIR SPACE + 12mm THK TEMPERED GLASS
- ㉖ 10mm THK HEAT STRENGTHENED GLASS (OUTSIDE) + 12mm AIR SPACE + 12mm THK TEMPERED GLASS
- ㉗ 10mm THK HEAT STRENGTHENED GLASS (OUTSIDE) + 12mm AIR SPACE + 12mm THK TEMPERED GLASS
- ㉘ 10mm THK HEAT STRENGTHENED GLASS (OUTSIDE) + 12mm AIR SPACE + 12mm THK TEMPERED GLASS
- ㉙ 10mm THK HEAT STRENGTHENED GLASS (OUTSIDE) + 12mm AIR SPACE + 12mm THK TEMPERED GLASS
- ㉚ 10mm THK HEAT STRENGTHENED GLASS (OUTSIDE) + 12mm AIR SPACE + 12mm THK TEMPERED GLASS
- ㉛ 10mm THK HEAT STRENGTHENED GLASS (OUTSIDE) + 12mm AIR SPACE + 12mm THK TEMPERED GLASS
- ㉜ 10mm THK HEAT STRENGTHENED GLASS (OUTSIDE) + 12mm AIR SPACE + 12mm THK TEMPERED GLASS
- ㉝ 10mm THK HEAT STRENGTHENED GLASS (OUTSIDE) + 12mm AIR SPACE + 12mm THK TEMPERED GLASS
- ㉞ 10mm THK HEAT STRENGTHENED GLASS (OUTSIDE) + 12mm AIR SPACE + 12mm THK TEMPERED GLASS
- ㉟ 10mm THK HEAT STRENGTHENED GLASS (OUTSIDE) + 12mm AIR SPACE + 12mm THK TEMPERED GLASS
- ㊱ 10mm THK HEAT STRENGTHENED GLASS (OUTSIDE) + 12mm AIR SPACE + 12mm THK TEMPERED GLASS
- ㊲ 10mm THK HEAT STRENGTHENED GLASS (OUTSIDE) + 12mm AIR SPACE + 12mm THK TEMPERED GLASS
- ㊳ 10mm THK HEAT STRENGTHENED GLASS (OUTSIDE) + 12mm AIR SPACE + 12mm THK TEMPERED GLASS
- ㊴ 10mm THK HEAT STRENGTHENED GLASS (OUTSIDE) + 12mm AIR SPACE + 12mm THK TEMPERED GLASS
- ㊵ 10mm THK HEAT STRENGTHENED GLASS (OUTSIDE) + 12mm AIR SPACE + 12mm THK TEMPERED GLASS
- ㊶ 10mm THK HEAT STRENGTHENED GLASS (OUTSIDE) + 12mm AIR SPACE + 12mm THK TEMPERED GLASS
- ㊷ 10mm THK HEAT STRENGTHENED GLASS (OUTSIDE) + 12mm AIR SPACE + 12mm THK TEMPERED GLASS
- ㊸ 10mm THK HEAT STRENGTHENED GLASS (OUTSIDE) + 12mm AIR SPACE + 12mm THK TEMPERED GLASS
- ㊹ 10mm THK HEAT STRENGTHENED GLASS (OUTSIDE) + 12mm AIR SPACE + 12mm THK TEMPERED GLASS
- ㊺ 10mm THK HEAT STRENGTHENED GLASS (OUTSIDE) + 12mm AIR SPACE + 12mm THK TEMPERED GLASS
- ㊻ 10mm THK HEAT STRENGTHENED GLASS (OUTSIDE) + 12mm AIR SPACE + 12mm THK TEMPERED GLASS
- ㊼ 10mm THK HEAT STRENGTHENED GLASS (OUTSIDE) + 12mm AIR SPACE + 12mm THK TEMPERED GLASS
- ㊽ 10mm THK HEAT STRENGTHENED GLASS (OUTSIDE) + 12mm AIR SPACE + 12mm THK TEMPERED GLASS
- ㊾ 10mm THK HEAT STRENGTHENED GLASS (OUTSIDE) + 12mm AIR SPACE + 12mm THK TEMPERED GLASS
- ㊿ 10mm THK HEAT STRENGTHENED GLASS (OUTSIDE) + 12mm AIR SPACE + 12mm THK TEMPERED GLASS

PMU单元派位图

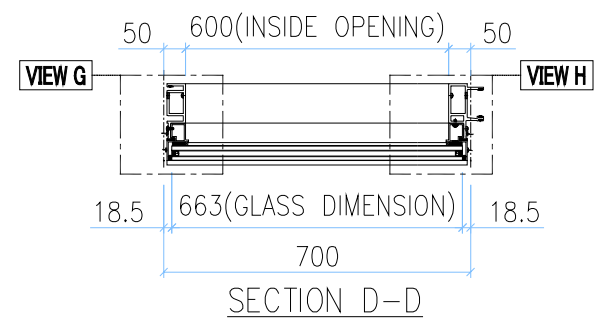
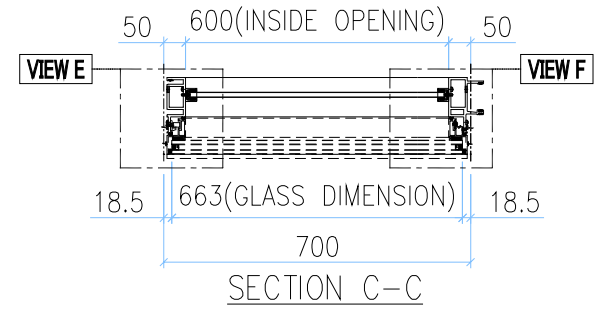
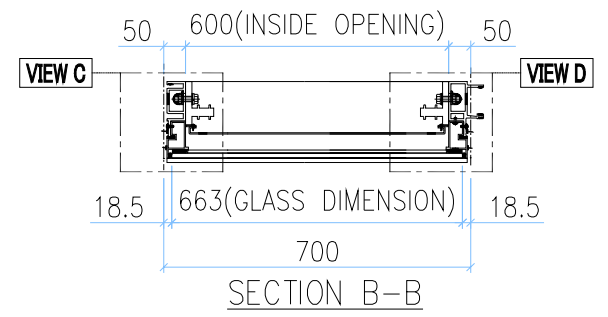
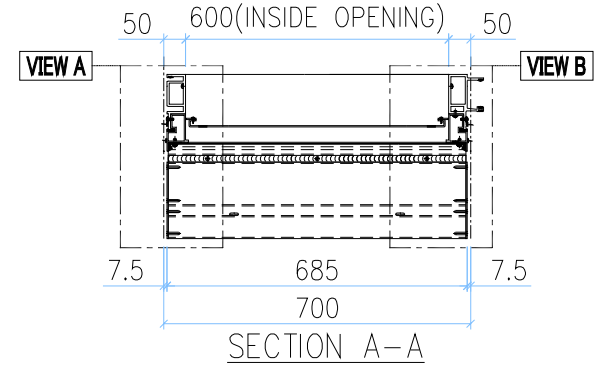
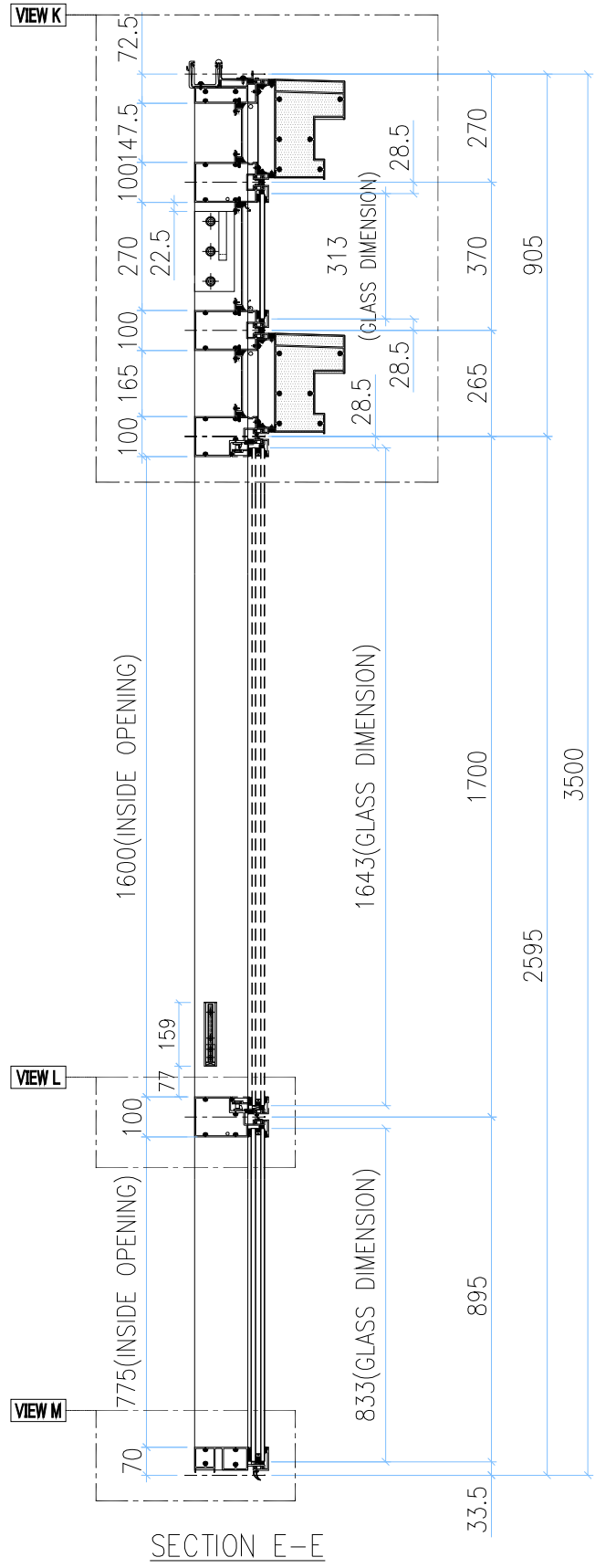
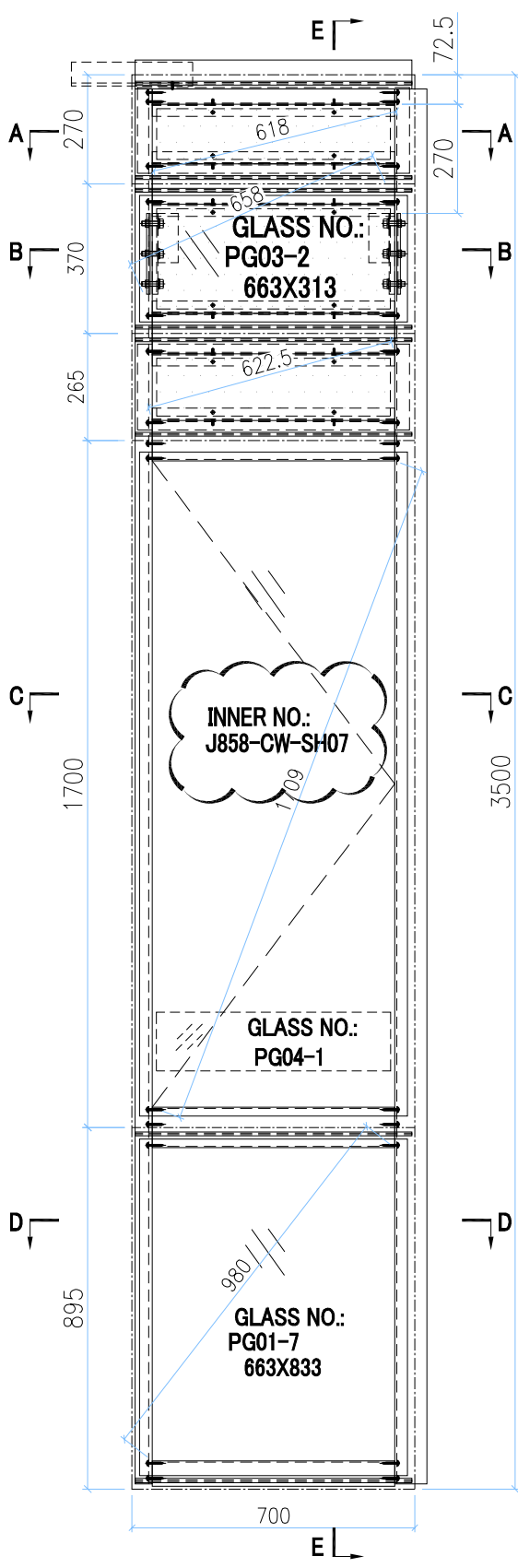
21份图



美特鋁質有限公司
MIDI Aluminium Fabricator Ltd.

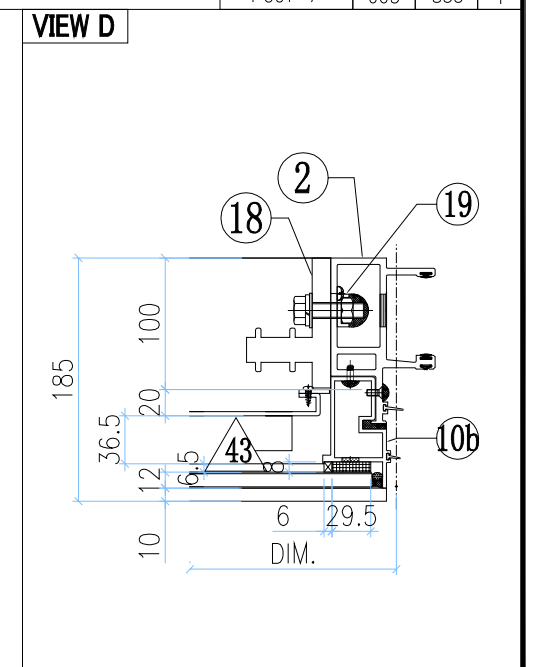
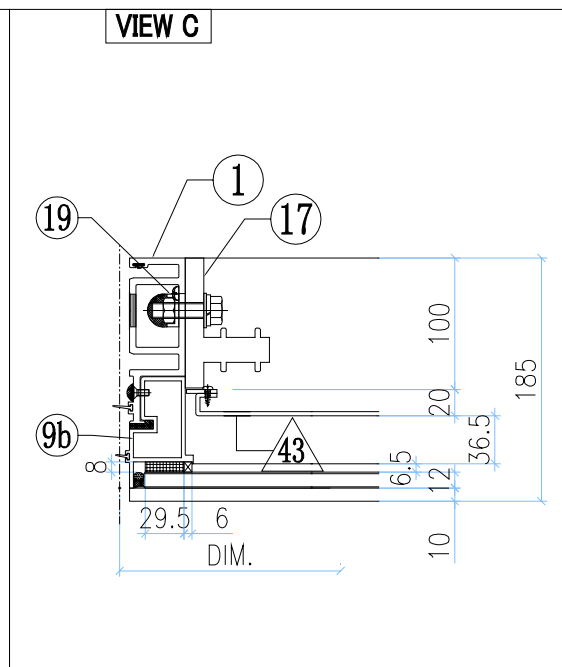
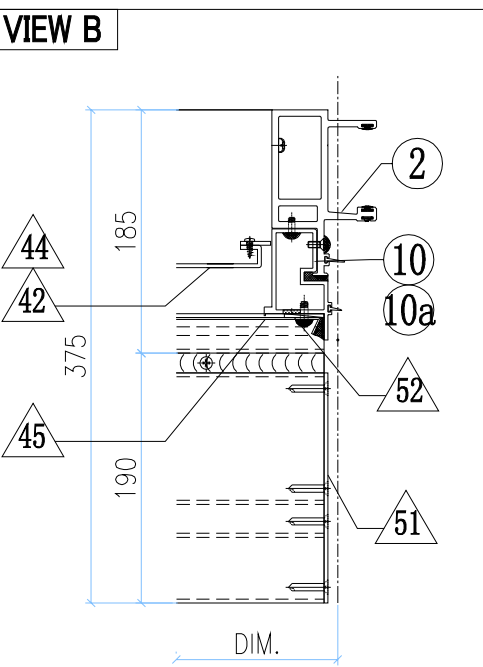
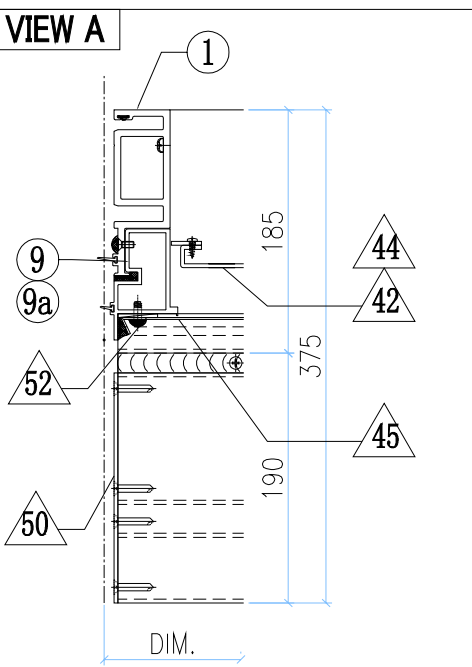
工程號	J858	類別		物料號	-		
地盘	康城11期	制圖	W. E. X	2022-05-13	圖號	UN-P09	
图纸名称	单元组装图	復核	-	-	數量	1	
修改	1	採用工廠	✓	材料颜色	-	單件重量	- (KG)
日期	19/08	材料颜色	-	材料	-	批准	-

A-15AP

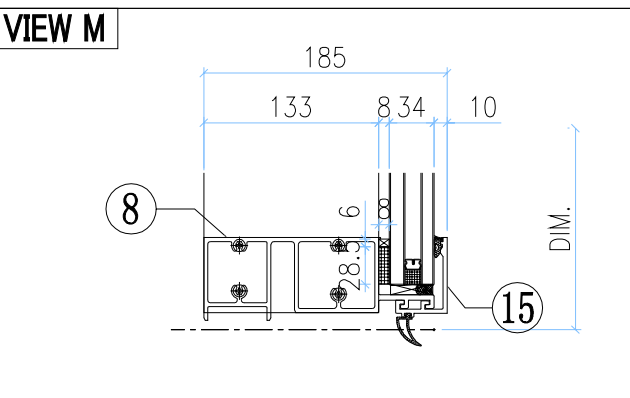
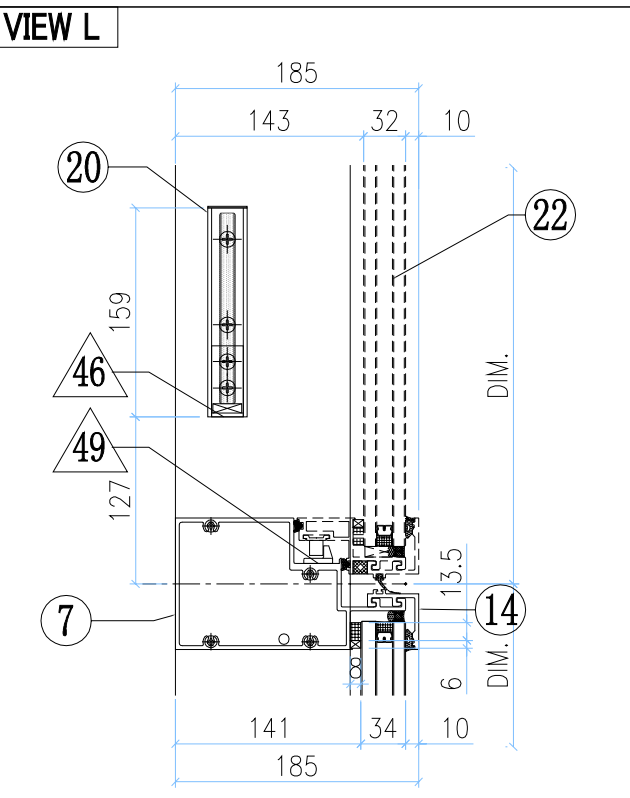
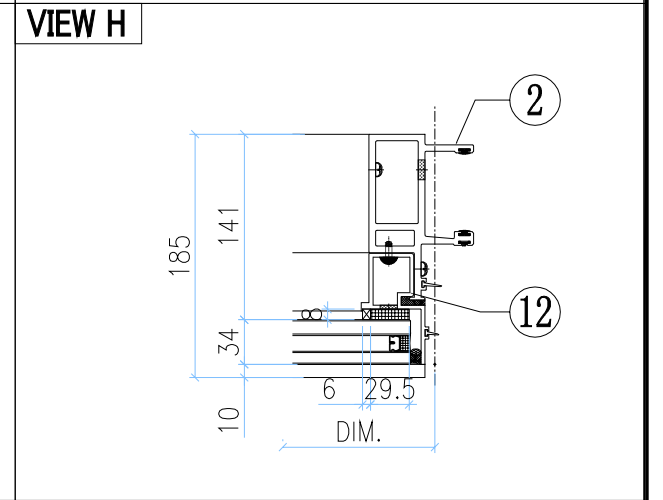
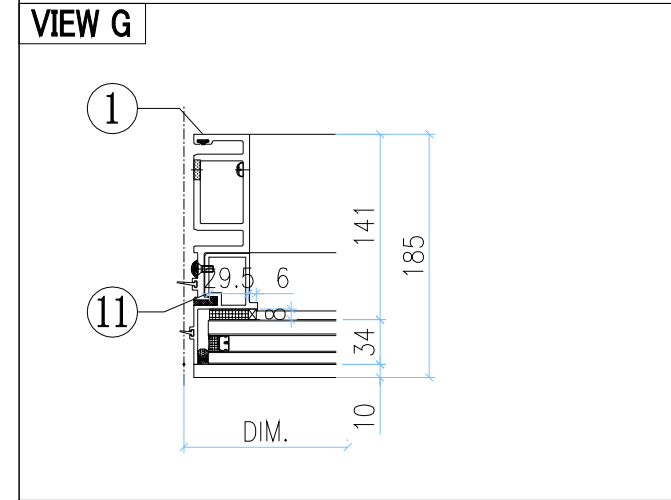
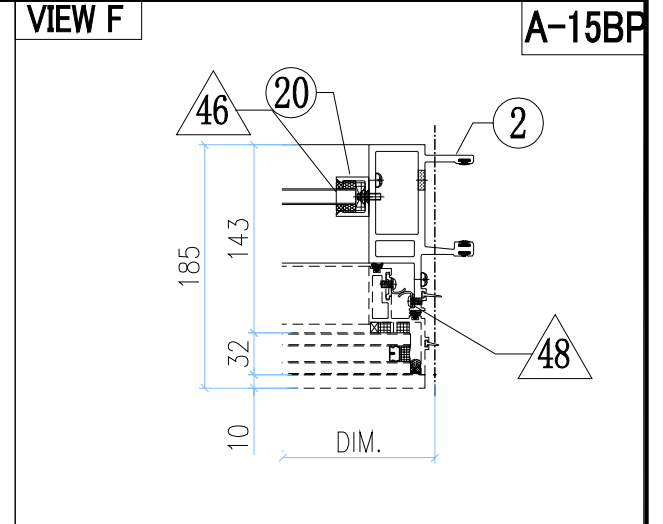
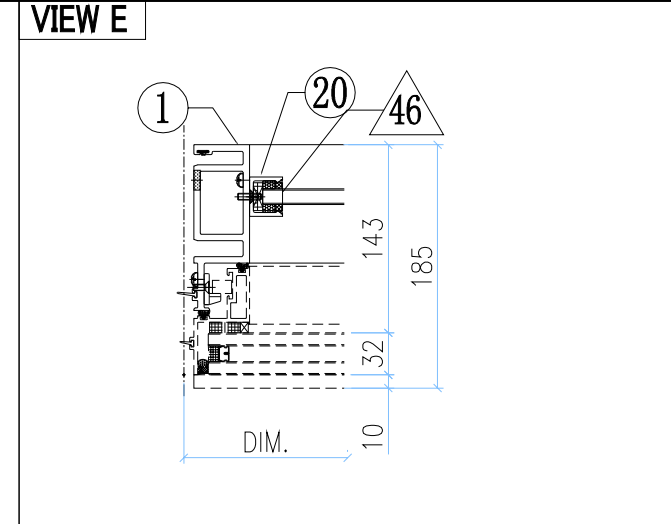
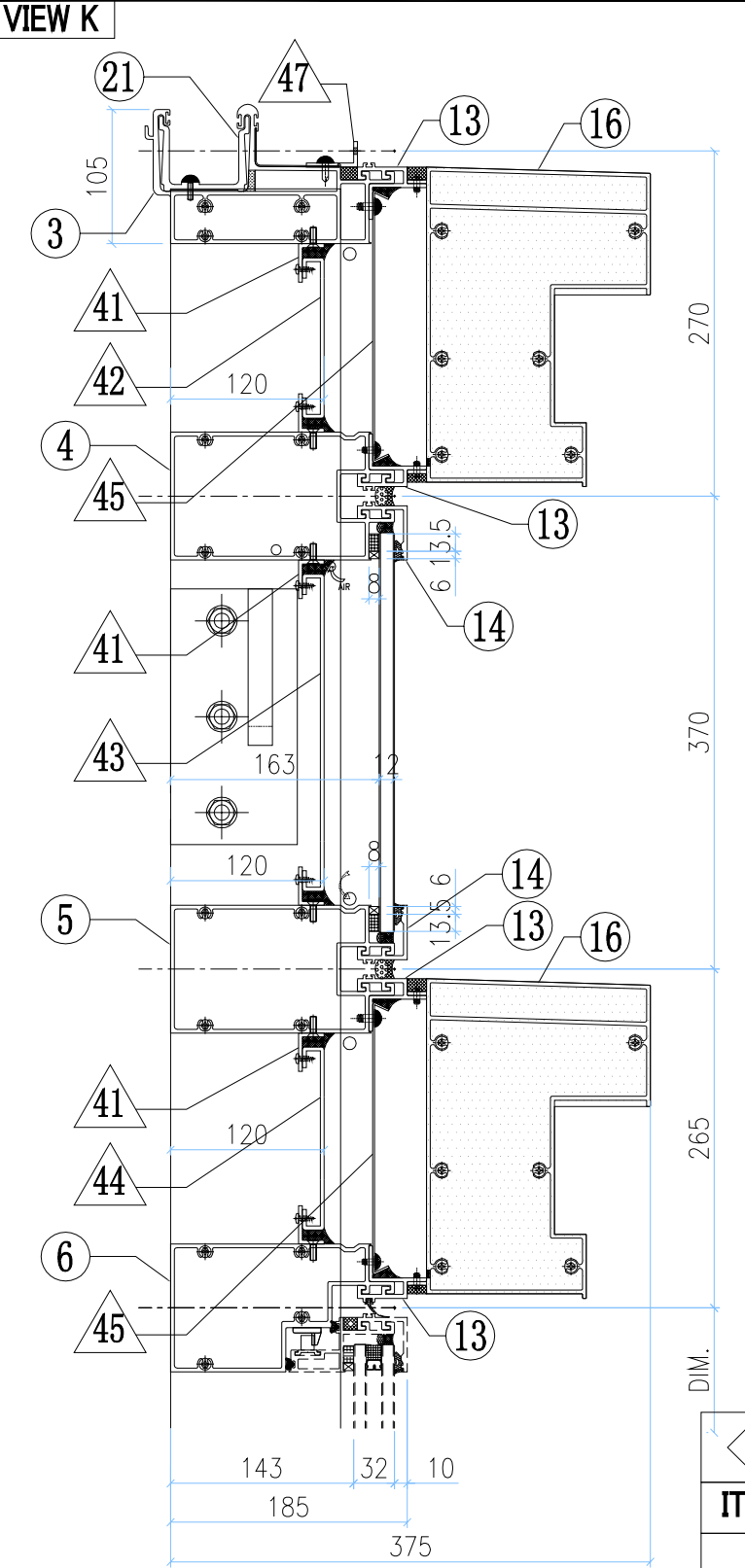


- Notes**
- ALL DIMENSION(S) STATED IN MILLMETRE
 - VIEW FROM OUTSIDE
 - GLASS
 - 3 mm THK. ALUM. BACKPAN
 - TOP HUNG WINDOW
 - SIDE HUNG WINDOW

GLASS NUMBER	WIDTH	HEIGHT	QTY.
PG03-2	663	313	1
PG04-1	580	145	1
PG01-7	663	833	1

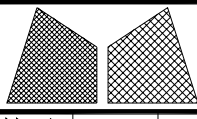


工程號	J858	類別		物料號	-
地盘	康城11期	制圖	W. E. X	2022-05-13	圖號 UN-P09
修改	1	採用工廠			數量
日期	19/08	材料颜色	-		單件重量 (KG)



◇ OTHERS (ALUM. & G.M.S. PARTS)			
ITEM	FAB. DWG NO.	LENGTH (mm)	QTY
41	N00813-P01C	598	6
	30x20x3mm ALUM. ANGLE		
42	J858-AP08-02		1
	584 x 125.5 (BACK PANEL)		
43	J858-AP08-06		1
	584 x 248 (BACK PANEL)		
44	J858-AP08-10		1
	584 x 143 (BACK PANEL)		
45	J858-AP07-02		2
	675 x 214 (FLASHING)		
46	N541-P01	21	2
	43x22x3mm ALUM. ANGLE		
47	N516-P01B	685	1
	40x20x3mm ALUM. ANGLE		
48	J858-AP04		3
	1.5mm THK. ALUM. PLATE		
49	J858-AP05		1
	2mm THK. ALUM. PLATE		
50	J858-AP14L		2
	3mm THK. ALUM. PANEL		
51	J858-AP14R		2
	3mm THK. ALUM. PANEL		
52	J858-AP06		4
	3mm THK. ALUM. PANEL		

○ ALUM. EXTRUSION			
ITEM	FAB. DWG NO.	LENGTH (mm)	QTY
1	X86288-P04	3458.5	1
2	X86274-P04	3458.5	1
3	X86279-P08A	685	1
4	X86308-P03A	679	1
5	X86308-P08A	679	1
6	X86309-P05RA	679	1
7	X86281-P01RA	679	1
8	X86280-P02A	679	1
9	X86313-P04L	233.5	1
9a	X86313-P03L	243	1
9b	X86313-P02L	348	1
10	X86313-P04R	233.5	1
10a	X86313-P03R	243	1
10b	X86313-P02R	348	1
11	X86314-P01L	868	1
12	X86314-P01R	868	1
13	X86306-P01B	685	4
14	X86283-P01-02	685	3
15	X86300-P01-02	685	1
16	X86307-P01-02	679	2
17	X86255-P01L	200	1
18	X86255-P01R	200	1
19	X86258-P01	200	2
20	X86282-P01	159	2
21	X86303-P01	300	1
22	(窗玉) J858-CW-SH07		1

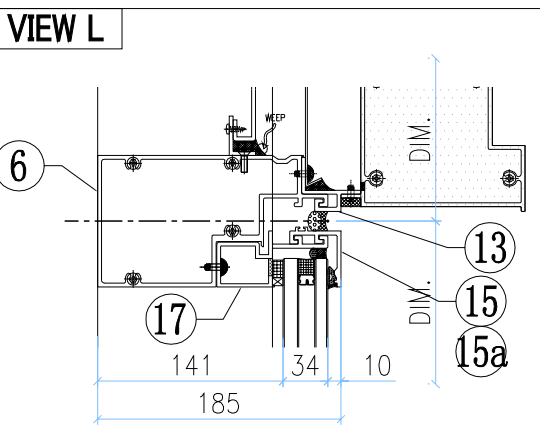
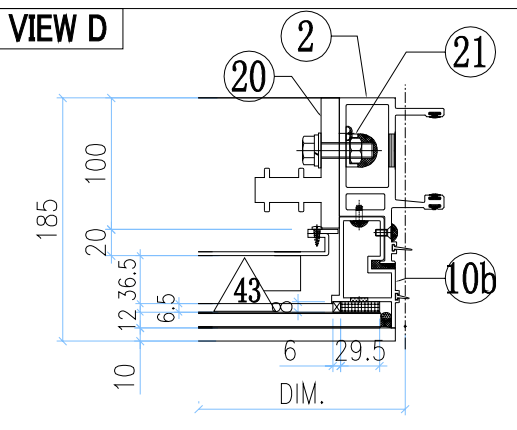
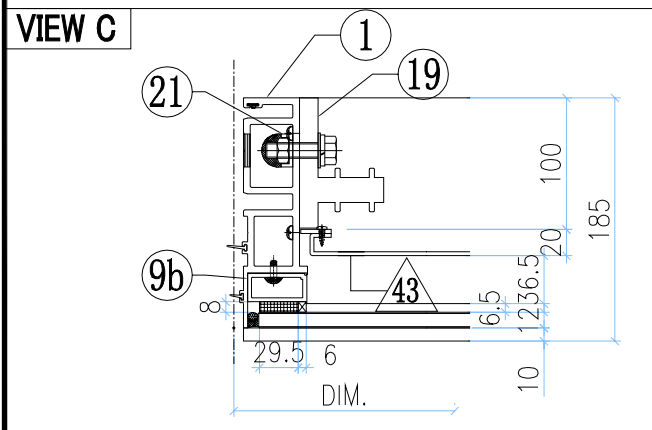
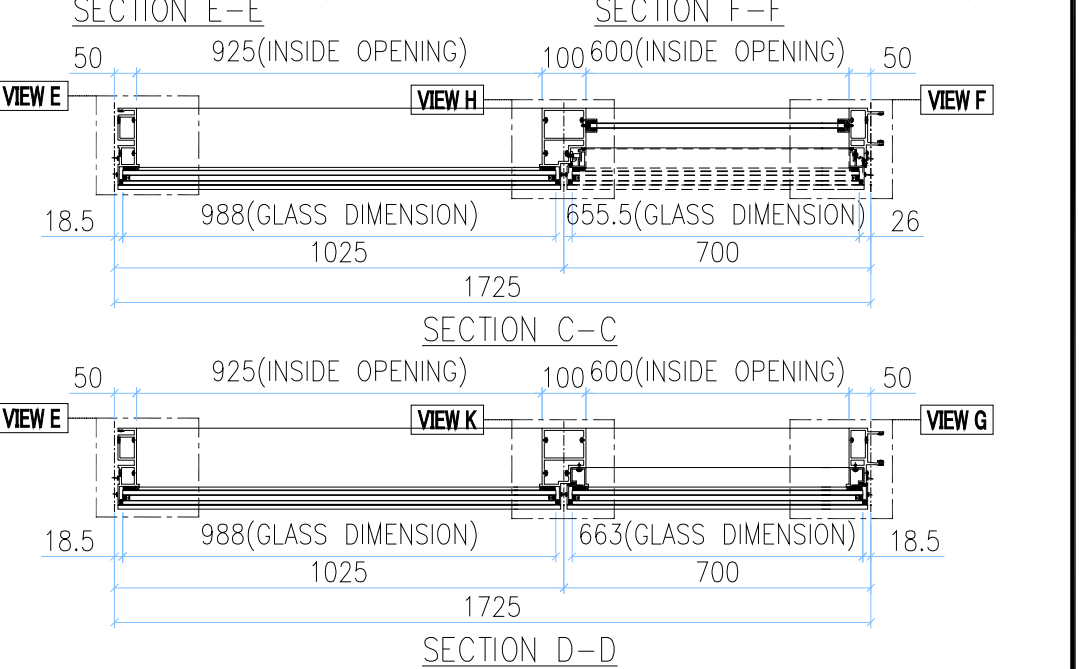
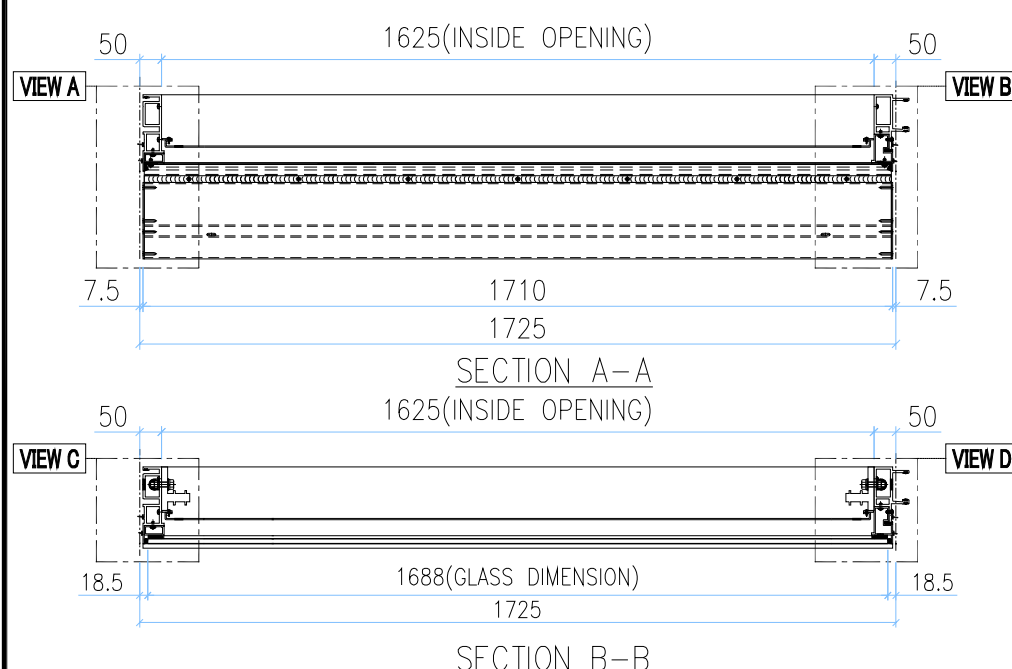
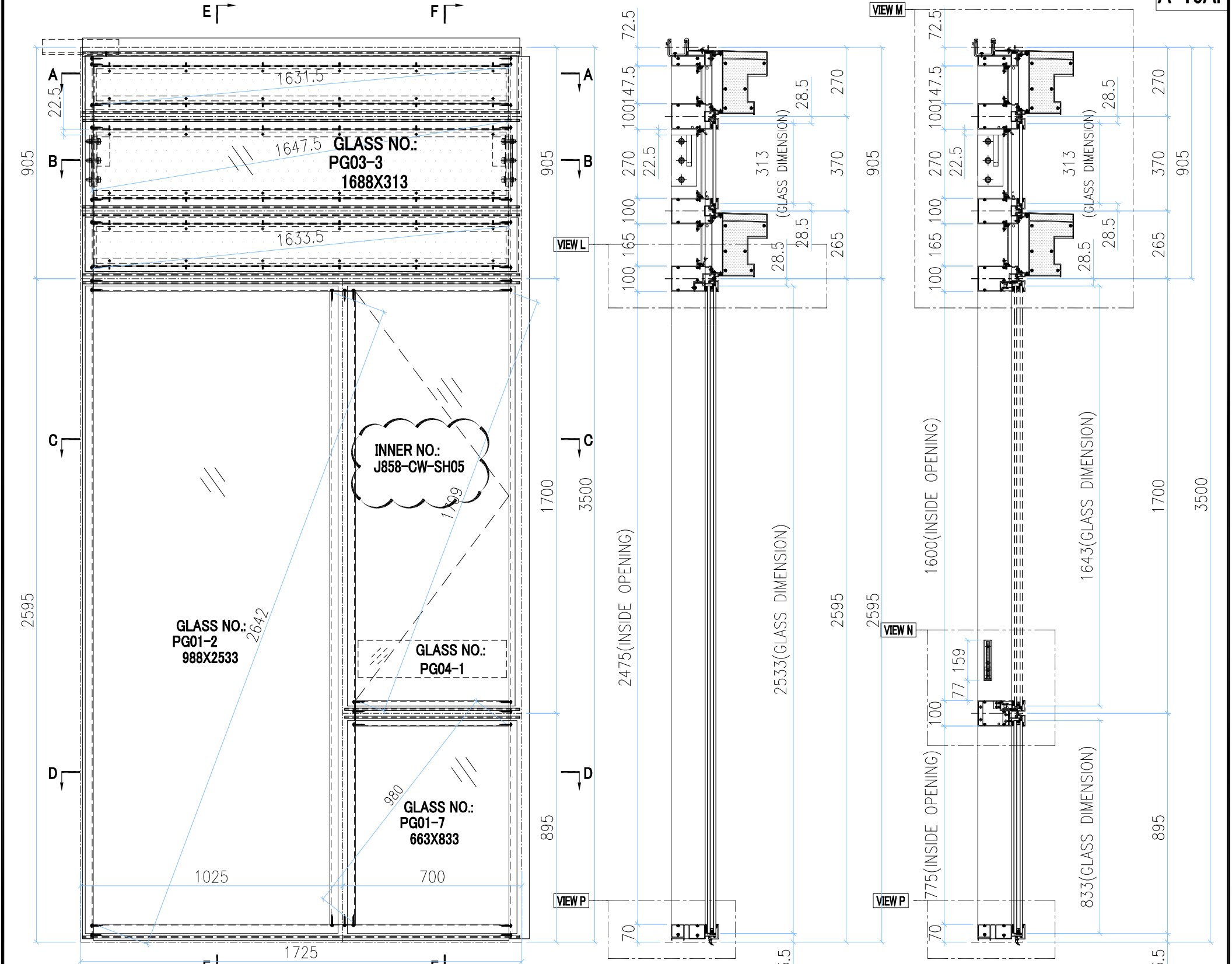


美特鋁質有限公司
MIDI Aluminium Fabricator Ltd.

工程號	J858	類別		物料號	-	
地盘	康城11期	制圖	W. E. X	2022-05-13	圖號	UN-P10
图纸名称	单元组装图	復核	-	-	數量	1
材料	-	批准	-	-	單件重量	(KG)

修改	1	採用	工廠	地盤	✓
日期	19/08	材料颜色	-		

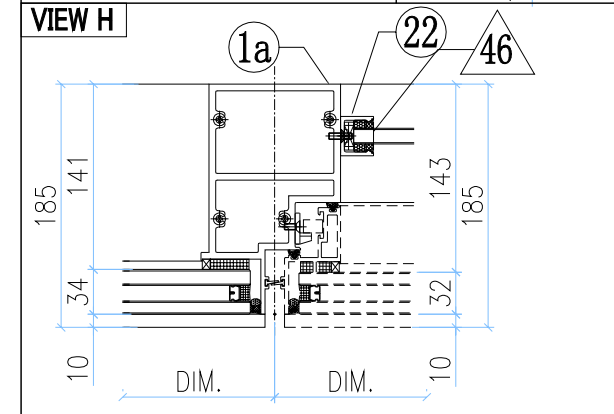
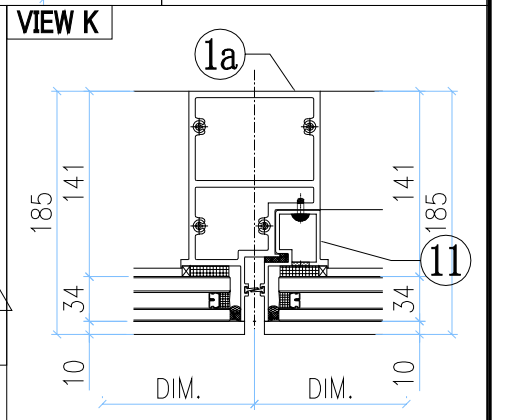
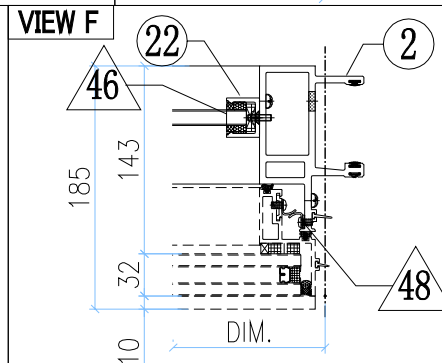
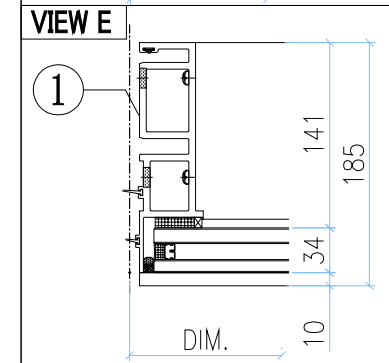
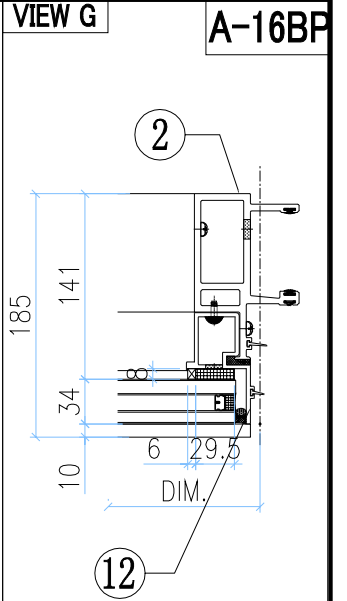
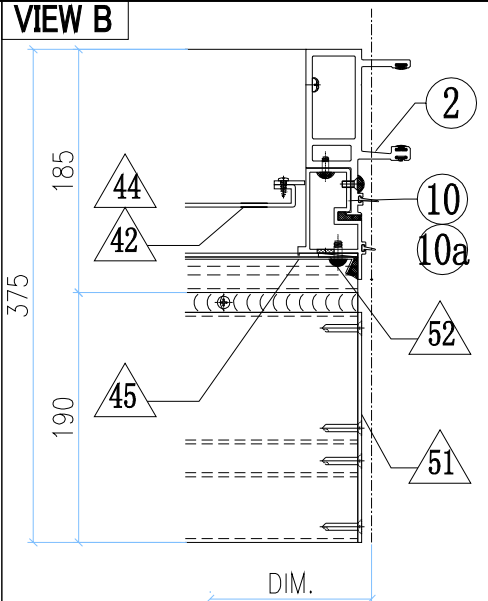
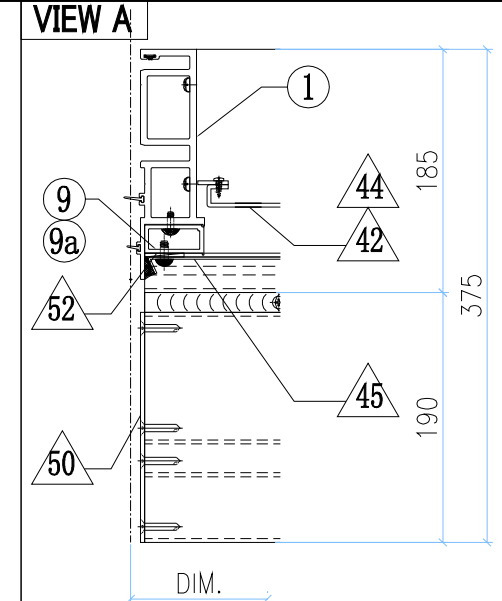
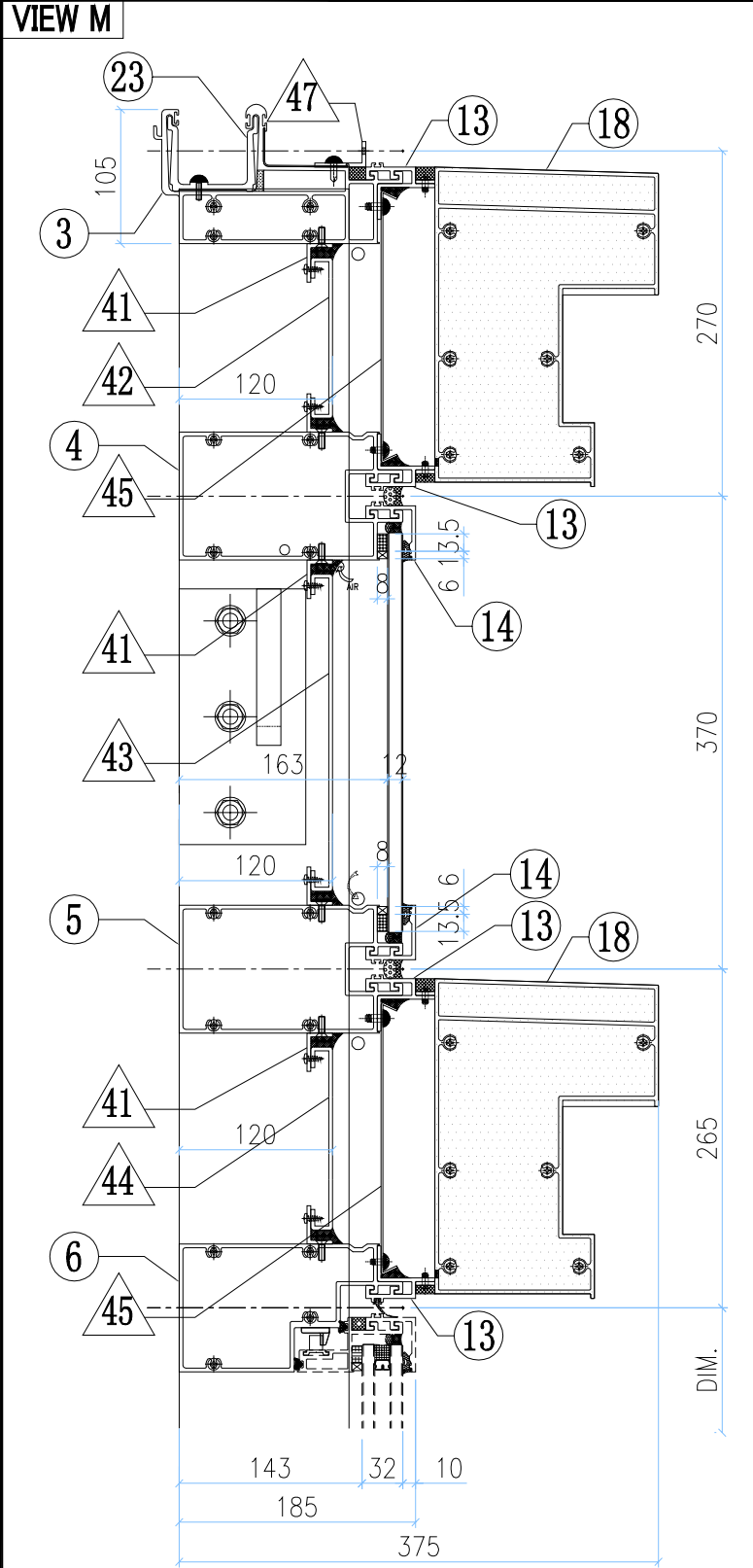
A-16AP



Notes

- ALL DIMENSION(S) STATED IN MILLIMETRE
- VIEW FROM OUTSIDE
- GLASS
- 3 mm THK. ALUM. BACKPAN
- TOP HUNG WINDOW
- SIDE HUNG WINDOW

GLASS NUMBER	WIDTH	HEIGHT	QTY.
PG03-3	1688	313	1
PG01-2	988	2533	1
PG04-1	580	145	1
PG01-7	663	833	1

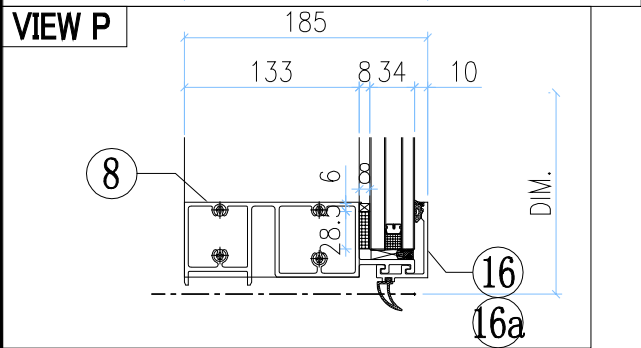
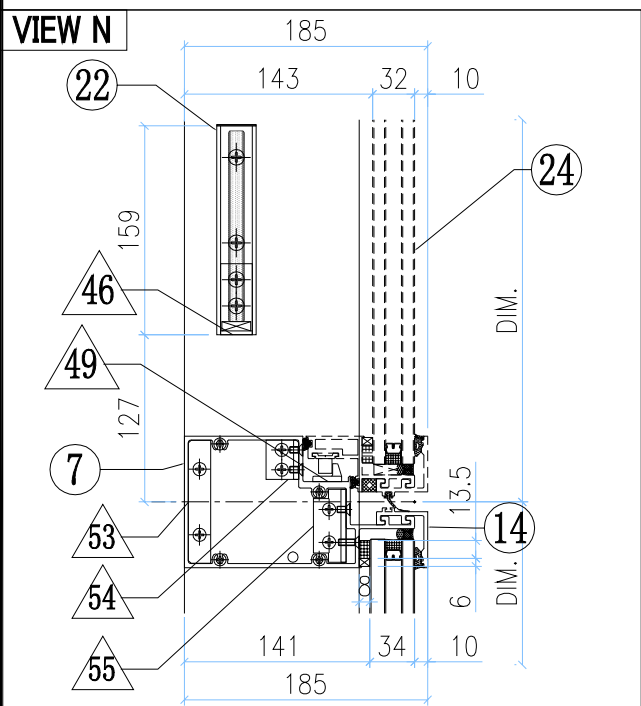


◇ OTHERS (ALUM. & G.M.S. PARTS)

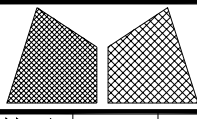
ITEM	FAB. DWG NO.	LENGTH (mm)	QTY
41	N00813-P01D 30x20X3mm ALUM. ANGLE	1623	6
42	J858-AP08-03 1609 x 125.5 (BACK PANEL)		1
43	J858-AP08-07 1609 x 248 (BACK PANEL)		1
44	J858-AP08-11 1609 x 143 (BACK PANEL)		1
45	J858-AP07-03 1700 x 214 (FLASHING)		2
46	N541-P01 43x22x3mm ALUM. ANGLE	21	2
47	N516-P01C 40x20X3mm ALUM. ANGLE	1710	1
48	J858-AP04 1.5mm THK. ALUM. PLATE		3
49	J858-AP05 2mm THK. ALUM. PLATE		1
50	J858-AP14L 3mm THK. ALUM. PANEL		2
51	J858-AP14R 3mm THK. ALUM. PANEL		2
52	J858-AP06 3mm THK. ALUM. PANEL		4
53	J858-AP01 6mm THK. ALUM. PLATE		1
54	J858-AA02 25x25x4mm ALUM. ANGLE		1

○ ALUM. EXTRUSION

ITEM	FAB. DWG NO.	LENGTH (mm)	QTY
1	X86273-P04	3467.5	1
1a	X86294-P02	2568	1
2	X86274-P04	3458.5	1
3	X86279-P12A	1710	1
4	X86308-P05A	1704	1
5	X86308-P10A	1704	1
6	X86309-P06LA	1704	1
7	X86281-P02RA	679	1
8	X86280-P05LA	1704	1
9	X86305-P03LA	146.5	1
9a	X86305-P02A	164	1
9b	X86305-P01B	269	1
10	X86313-P04R	233.5	1
10a	X86313-P03R	243	1
10b	X86313-P02R	348	1
11	X86314-P02L	868	1
12	X86314-P01R	868	1
13	X86306-P01C	1710	4
14	X86283-P01-03	1710	2
15	X86283-P01-04	1010	1
15a	X86283-P01-02	685	1
16	X86300-P01-03	1010	1
16a	X86300-P01-02	685	1
17	X86312-P01A	1004	1
18	X86307-P01-03	1704	2
19	X86255-P01L	200	1
20	X86255-P01R	200	1
21	X86258-P01	200	2
22	X86282-P01	159	2
23	X86303-P01	300	1
24	(窗玉) J858-CW-SH05		1



55	J858-AA01 25x25x4mm ALUM. ANGLE	1
----	------------------------------------	---

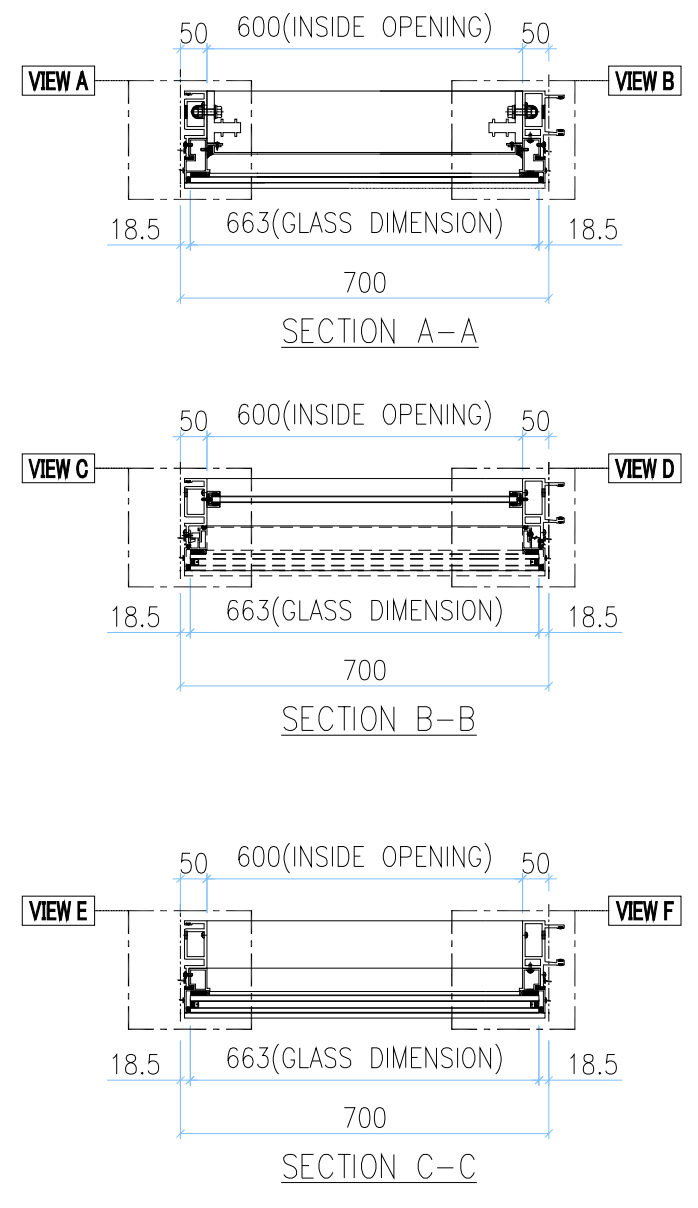
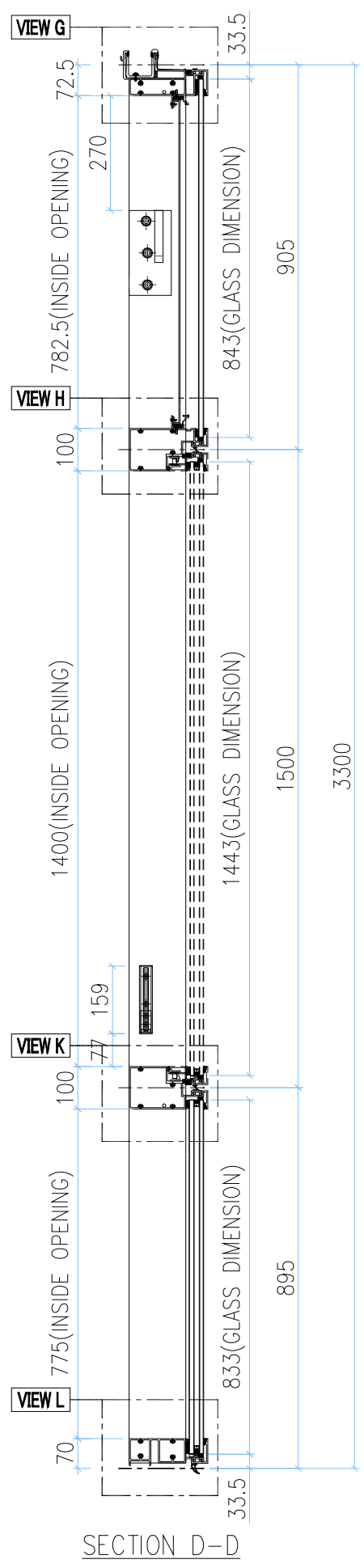
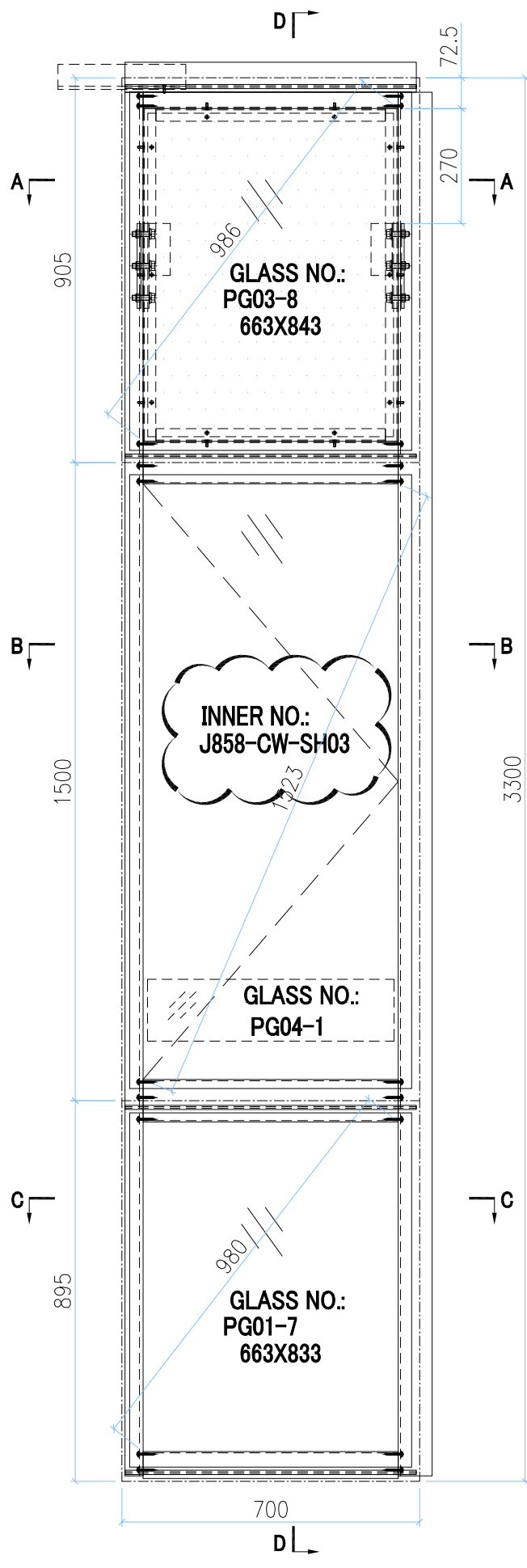


美特鋁質有限公司
MIDI Aluminium Fabricator Ltd.

工程號	J858	類別		物料號	-	
地盘	康城11期	制圖	W. E. X	2022-05-13	圖號	UN-P02
图纸名称	单元组装图	復核	-	-	數量	1
材料	-	批准	-	-	單件重量	- (KG)

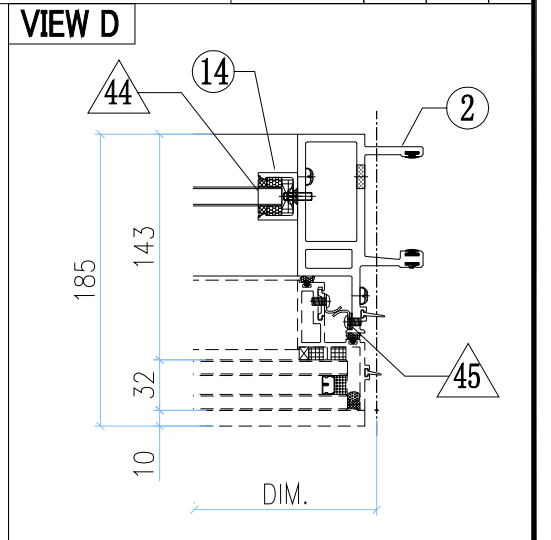
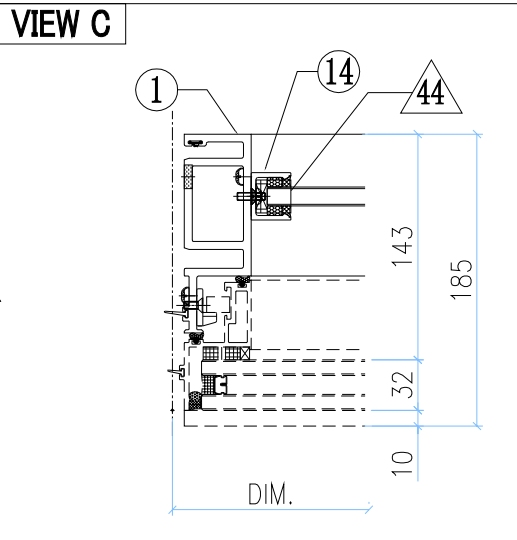
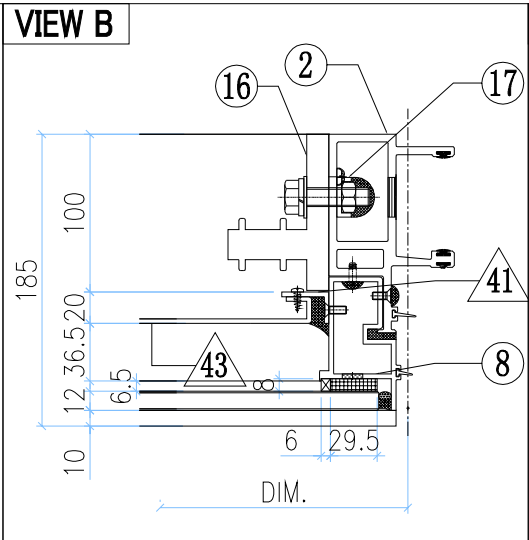
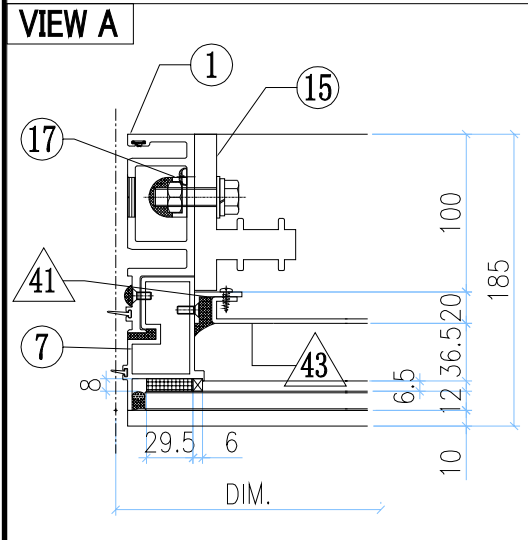
修改	1	採用	工廠	地盘	✓
日期	19/08	材料颜色	-		

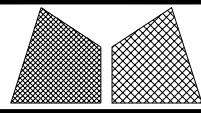
A-08AP



- Notes**
1. ALL DIMENSION(S) STATED IN MILLMETRE
 2. VIEW FROM OUTSIDE
 3. GLASS
 4. 3 mm THK. ALUM. BACKPAN
 5. TOP HUNG WINDOW
 6. SIDE HUNG WINDOW

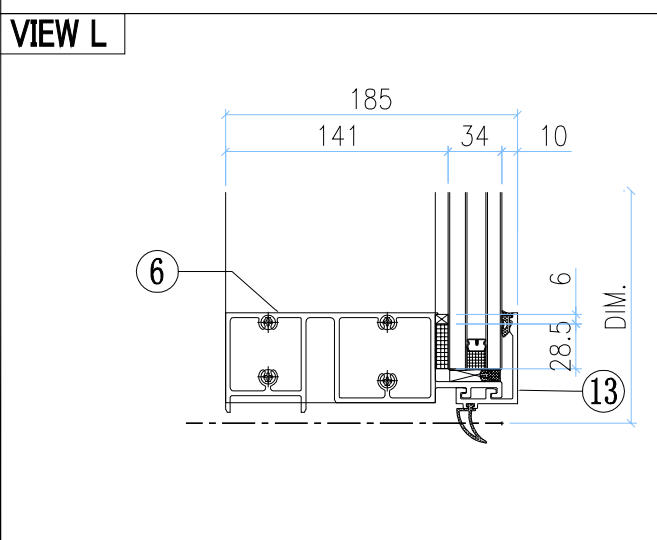
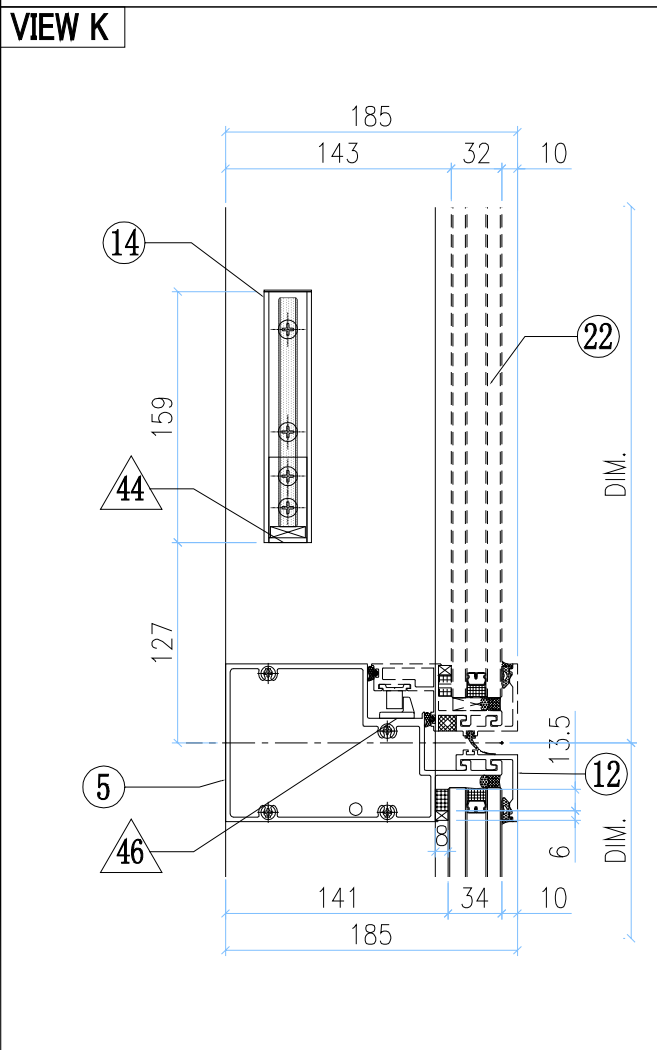
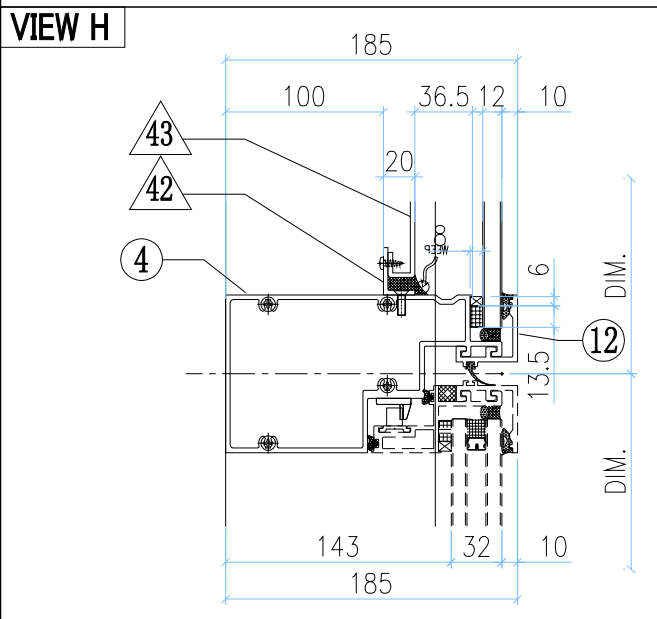
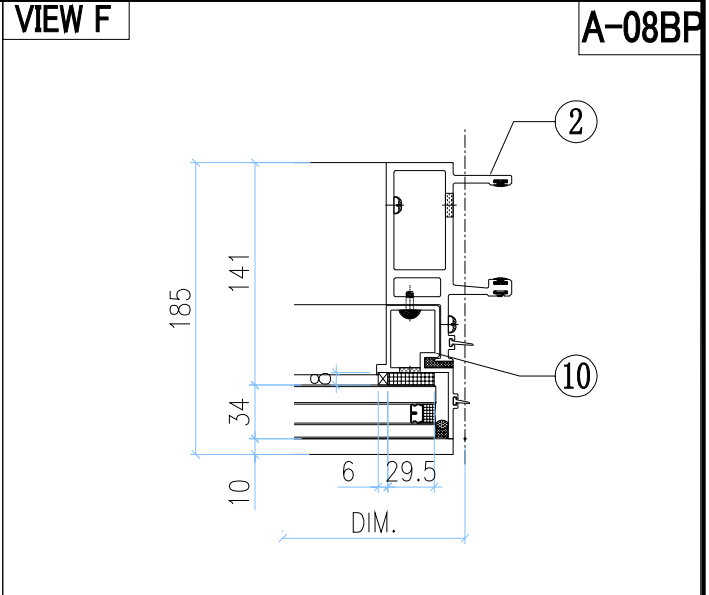
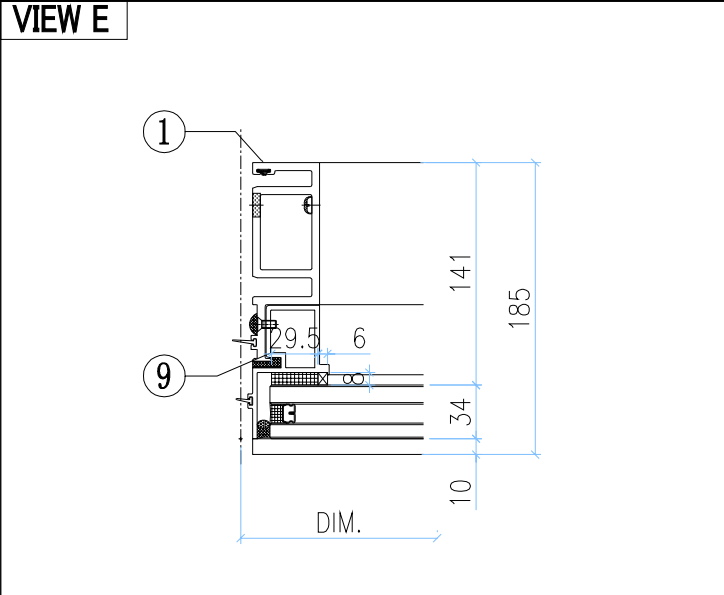
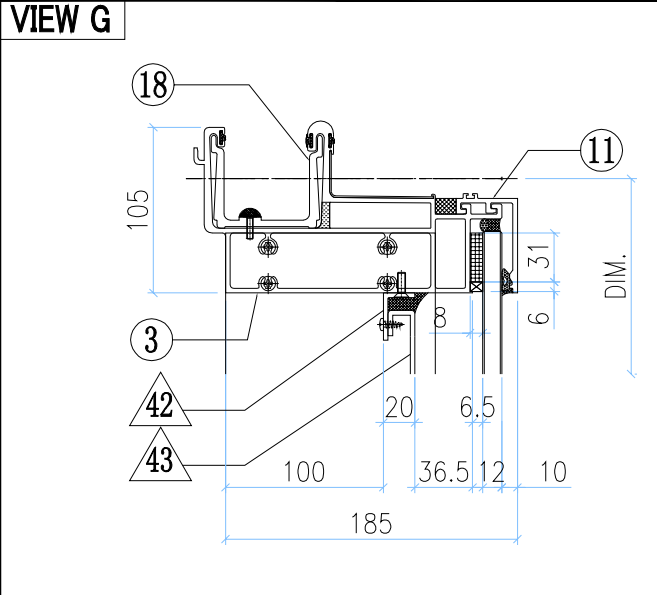
GLASS NUMBER	WIDTH	HEIGHT	QTY.
PG03-8	663	843	1
PG04-1	580	145	1
PG01-7	663	833	1





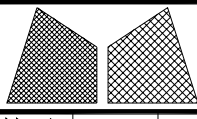
美特鋁質有限公司
MIDI Aluminium Fabricator Ltd.

工程號	J858	類別		物料號	-	圖號	UN-P02
地盘	康城11期	制圖	W. E. X	2022-05-13		數量	-
图纸名称	单元组装图	復核	-	-		單件重量	- (KG)
修改	1	採用	工廠	地盘	✓	材料	-
日期	19/08	材料颜色	-				



◇ OTHERS (ALUM. & G.M.S. PARTS)			
ITEM	FAB. DWG NO.	LENGTH (mm)	QTY
41	N00813-P01A	720.5	2
	30x20x3mm ALUM. ANGLE		
42	N00813-P01C	598	2
	30x20x3mm ALUM. ANGLE		
43	J858-AP09-02		1
	578 x 760.5 (BACK PANEL)		
44	N541-P01	21	2
	43x22x3mm ALUM. ANGLE		
45	J858-AP04		3
	1.5mm THK. ALUM. PLATE		
46	J858-AP05		1
	2mm THK. ALUM. PLATE		
47			
48			
49			

○ ALUM. EXTRUSION			
ITEM	FAB. DWG NO.	LENGTH (mm)	QTY
1	X86288-P01	3258.5	1
2	X86274-P02	3258.5	1
3	X86279-P02A	685	1
4	X86309-P01RA	679	1
5	X86281-P01RA	679	1
6	X86280-P02A	679	1
7	X86313-P01L	868.5	1
8	X86313-P01R	868.5	1
9	X86314-P01L	868	1
10	X86314-P01R	868	1
11	X86301-P01-02	685	1
12	X86283-P01-02	685	2
13	X86300-P01-02	685	1
14	X86282-P01	159	2
15	X86255-P01L	200	1
16	X86255-P01R	200	1
17	X86258-P01	200	2
18	X86303-P01	300	1
19			
20			
21			
22	(窗玉) J858-CW-SH03		1
23			
24			
25			
26			



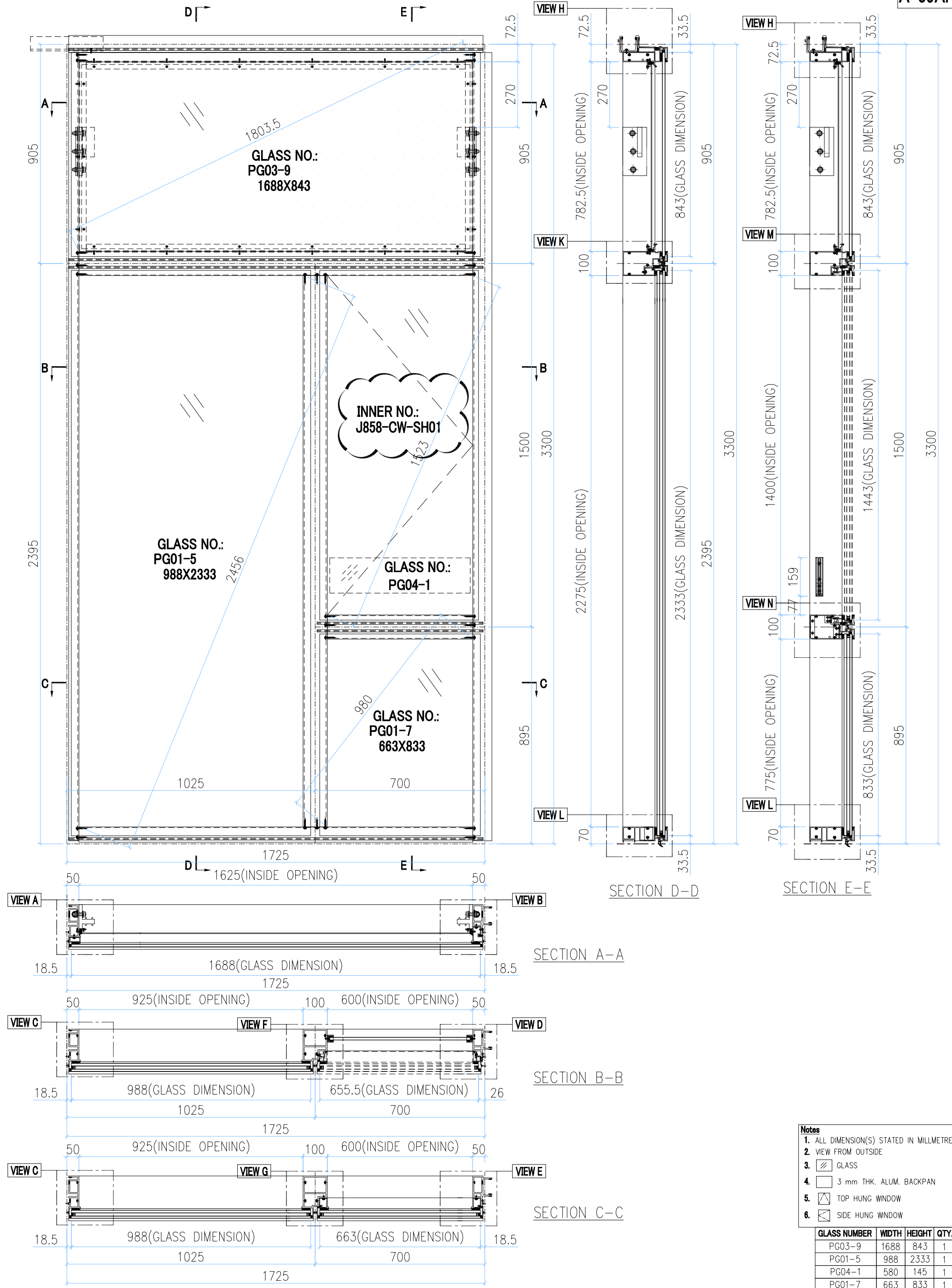
美特鋁質有限公司
MIDI Aluminium Fabricator Ltd.

工程號	J858	類別		物料號	-	
地盘	康城11期	制圖	W. E. X	2022-05-13	圖號	UN-P03
图纸名称	单元组装图	復核	-	-	數量	1
材料	-	批准	-	-	單件重量	- (KG)

修改 1
日期 19/08

採用 工廠 地盘 ✓
材料颜色 -

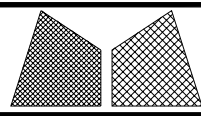
A-09AP



Notes

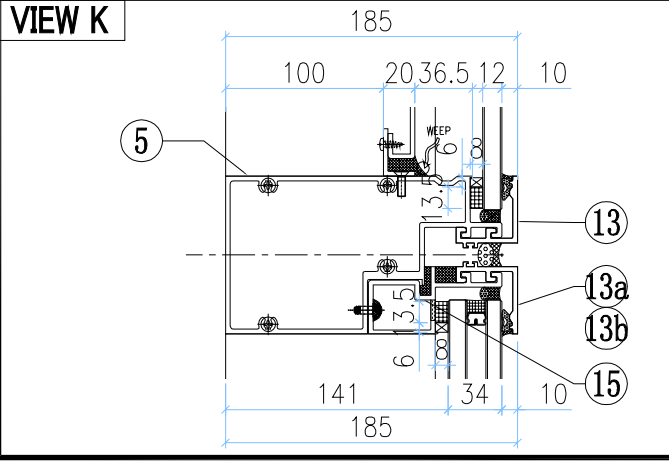
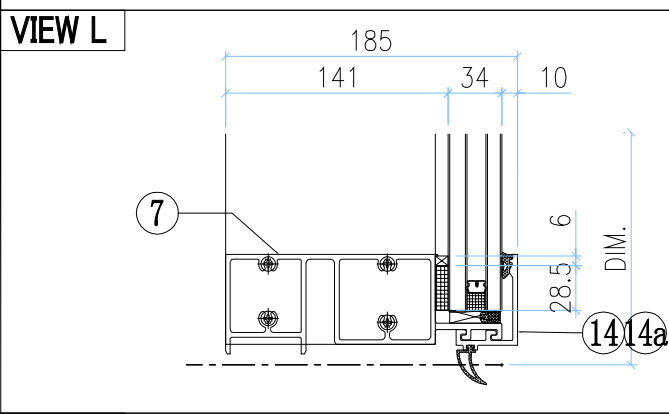
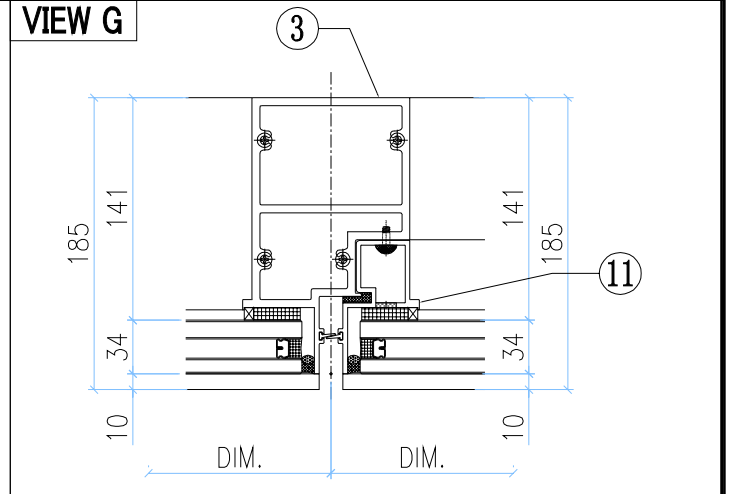
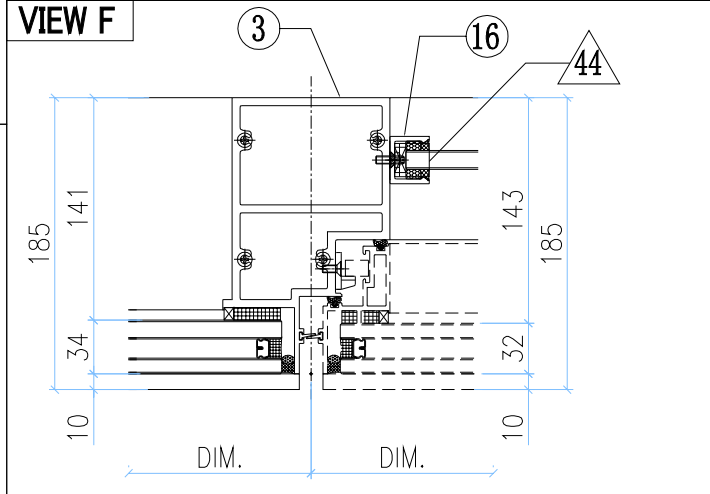
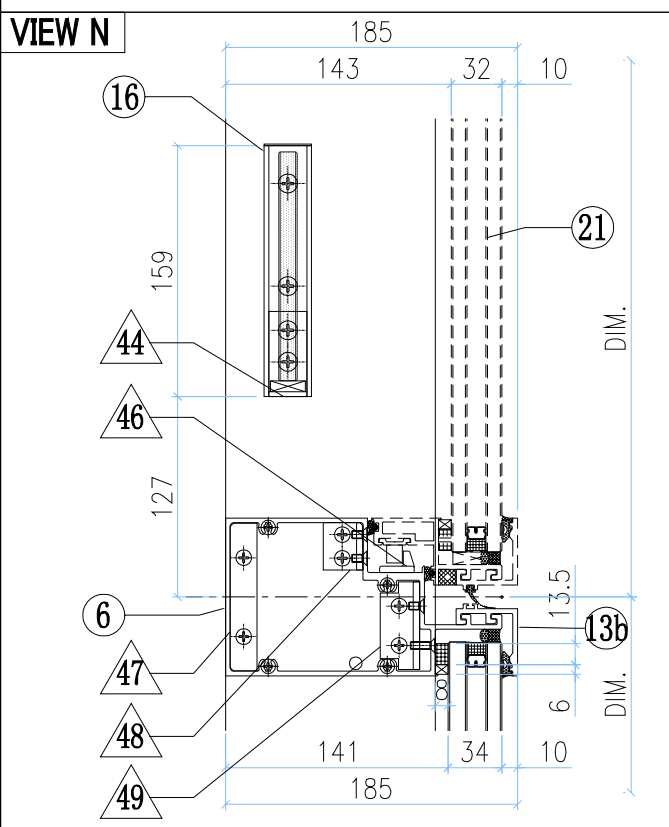
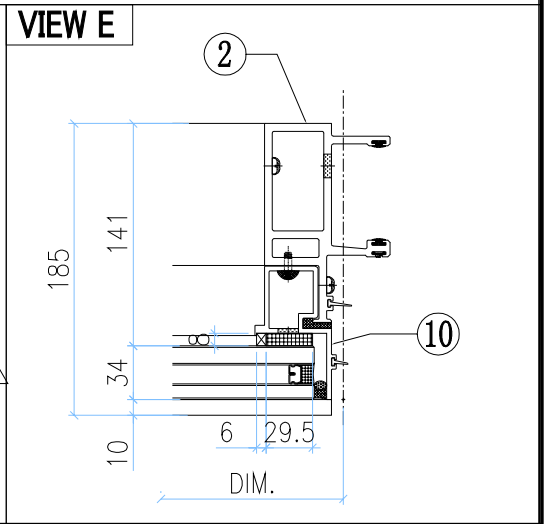
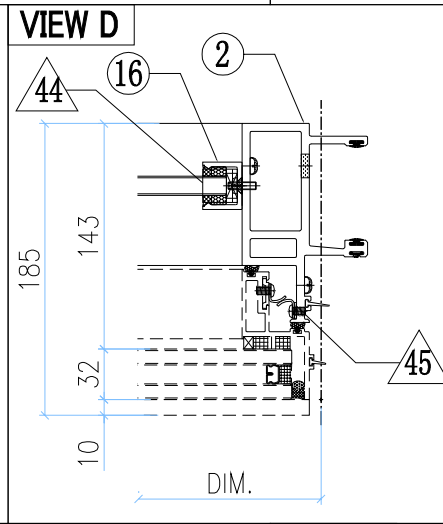
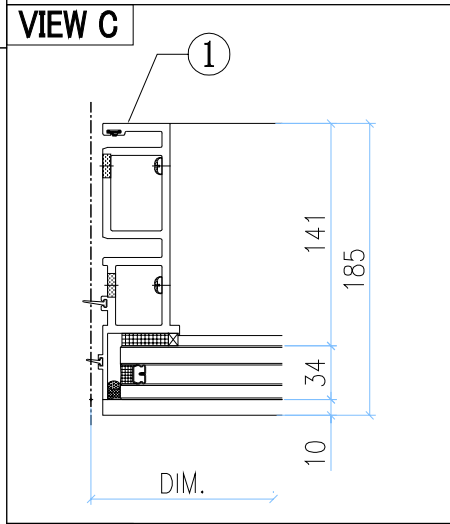
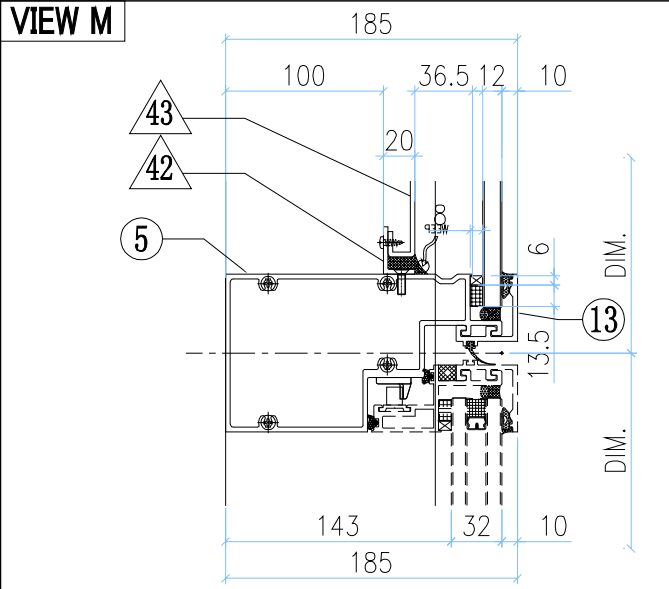
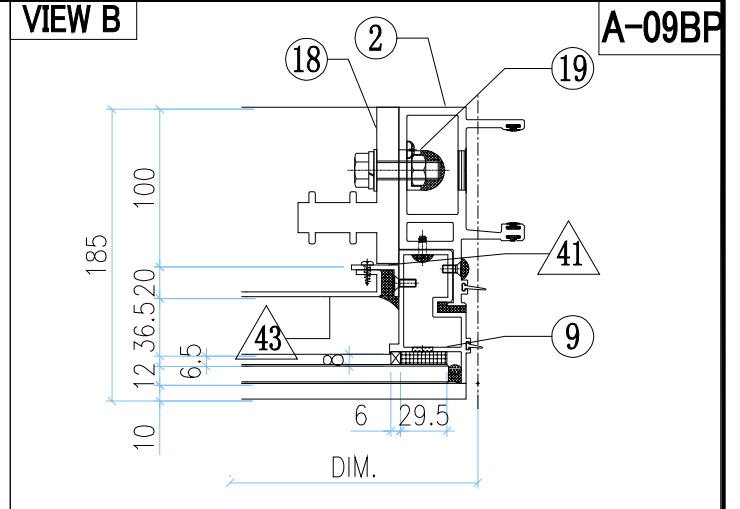
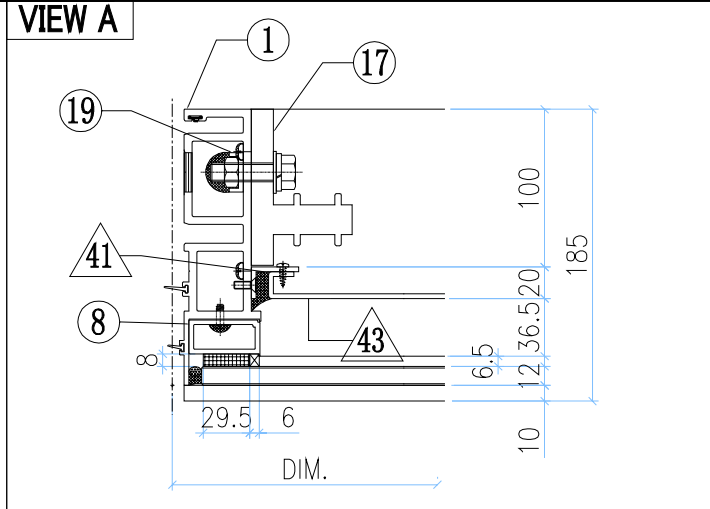
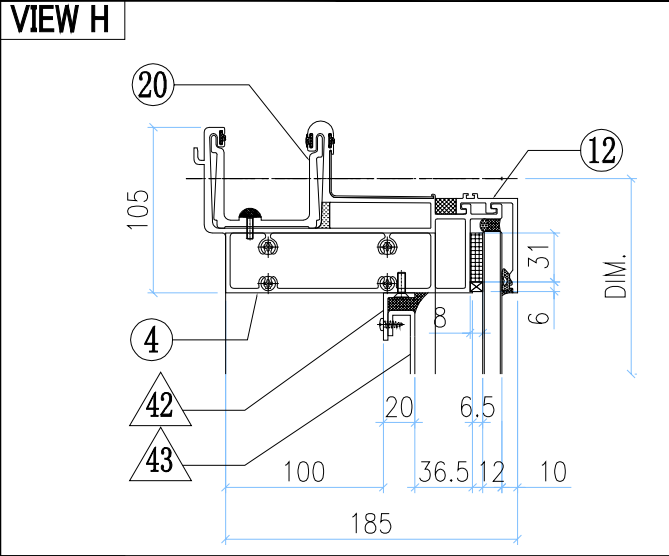
- ALL DIMENSION(S) STATED IN MILLMETRE
- VIEW FROM OUTSIDE
- GLASS
- 3 mm THK. ALUM. BACKPAN
- TOP HUNG WINDOW
- SIDE HUNG WINDOW

GLASS NUMBER	WIDTH	HEIGHT	QTY.
PG03-9	1688	843	1
PG01-5	988	2333	1
PG04-1	580	145	1
PG01-7	663	833	1



美特鋁質有限公司
MIDI Aluminium Fabricator Ltd.

工程號	J858	類別		物料號	-	
地盘	康城11期	制圖	W. E. X	2022-05-13	圖號	UN-P03
图纸名称	单元组装图	復核	-	-	數量	-
修改	1	採用工廠	地盤	✓	材料颜色	-
日期	19/08	材料	-	-	單件重量	(KG)



◇ OTHERS (ALUM. & G.M.S. PARTS)				○ ALUM. EXTRUSION			
ITEM	FAB. DWG NO.	LENGTH (mm)	QTY	ITEM	FAB. DWG NO.	LENGTH (mm)	QTY
41	N00813-P01A	720.5	2	1	X86273-P02	3267.5	1
	30x20x3mm ALUM. ANGLE			2	2	X86274-P02	3258.5
42	N00813-P01D	1623	2	3	X86294-P01	2368	1
	30x20x3mm ALUM. ANGLE			2	4	X86279-P06A	1710
43	J858-AP09-03		1	5	X86309-P02LA	1704	1
	1603 x 760.5(BACK PANEL)			1	6	X86281-P02RA	679
44	N541-P01	21	2	7	X86280-P05LA	1704	1
	43x22x3mm ALUM. ANGLE			2	8	X86305-P01A	781.5
45	J858-AP04		3	9	X86313-P01R	868.5	1
	1.5mm THK. ALUM. PLATE			3	10	X86314-P01R	868
46	J858-AP05		1	11	X86314-P02L	868	1
	2mm THK. ALUM. PLATE			1	12	X86301-P01-03	1710
47	J858-AP01		1	13	X86283-P01-03	1710	1
	6mm THK. ALUM. PLATE			1	13a	X86283-P01-04	1010
48	J858-AA02		1	13b	X86283-P01-02	685	1
	25x25x4mm ALUM. ANGLE			1	14	X86300-P01-03	1010
49	J858-AA01		1	14a	X86300-P01-02	685	1
	25x25x4mm ALUM. ANGLE			1	15	X86312-P01A	1004
20	X86303-P01	300	1	16	X86282-P01	159	2
21	(窗玉) J858-CW-SH01		1	17	X86255-P01L	200	1
				18	X86255-P01R	200	1
				19	X86258-P01	200	2