

## 工程指示 / 要求簡箋(E.I.)

工程指示編號：EI / 4866 / 22

修改版次：-

工程編號：J - 858

工程名稱：將軍澳日出康城

工程項目：偏林箱圖紙上載 + 拆圖

收件人：生統 / Maggie

發件人：Renee Lo

日期：09/07/2022

□要求提供 / □確認 事項：

- |                                    |                                     |                               |
|------------------------------------|-------------------------------------|-------------------------------|
| <input type="checkbox"/> 初步鋁料 B.M. | <input type="checkbox"/> 加工拆圖，然後生產  | <input type="checkbox"/> 尺寸表  |
| <input type="checkbox"/> 正式鋁料 B.M. | <input type="checkbox"/> 技術上資料 / 指示 | <input type="checkbox"/> 報價   |
| <input type="checkbox"/> 配件 B.M.   | <input type="checkbox"/> 樣辦或貨品說明書   | <input type="checkbox"/> 分判合約 |

內容：

上載圖紙給參考 (1st Shop Drawing for Plenum Box) 附 CAD (撐板層用3隻)

拆圖及生產 用鉻化料 請提供報價

預算數量：150 隻 3m x 1.8m

謝謝

請在 2022. 07. 16 前完成上列要求。

附：

以上項目為：

- |                                 |                                      |                                |
|---------------------------------|--------------------------------------|--------------------------------|
| <input type="checkbox"/> 原合約工程包 | <input type="checkbox"/> 原合約工程加 / 減賬 | <input type="checkbox"/> 新工程報價 |
|---------------------------------|--------------------------------------|--------------------------------|

原因：-

分發東莞各部門：

- |                                      |  |                                    |  |
|--------------------------------------|--|------------------------------------|--|
| <input type="checkbox"/> 生產技術總監 □連附件 | <input type="checkbox"/> 技術部 □連附件              | <input type="checkbox"/> 生產部 □連附件  | <input type="checkbox"/> 機械設計部 □連附件    |
| <input type="checkbox"/> 採購部 □連附件    | <input checked="" type="checkbox"/> 生產統籌部 □連附件 | <input type="checkbox"/> 小羅&清 □連附件 |  |
| <input type="checkbox"/> 質檢部 □連附件    | <input type="checkbox"/> 會計部 □連附件              | <input type="checkbox"/> 報關組 □連附件  | <input type="checkbox"/> 其他 _____ □連附件 |

分發其他分判：

□連附件

分發香港各部門：

- |  |                                    |                                   |  |
|--|------------------------------------|-----------------------------------|--|
| <input type="checkbox"/> 行政部 □連附件            | <input type="checkbox"/> 會計部 □連附件  | <input type="checkbox"/> 統籌部 □連附件 | <input type="checkbox"/> 工程部地盤科文 □連附件  |
| <input checked="" type="checkbox"/> 採購部 □連附件 | <input type="checkbox"/> QS 部 □連附件 | <input type="checkbox"/> 維修部 □連附件 | <input type="checkbox"/> 其他 _____ □連附件 |

傳遞編號：

HK 1123 / 22

發件人簽署：

項目經理簽署：

PROJECT :

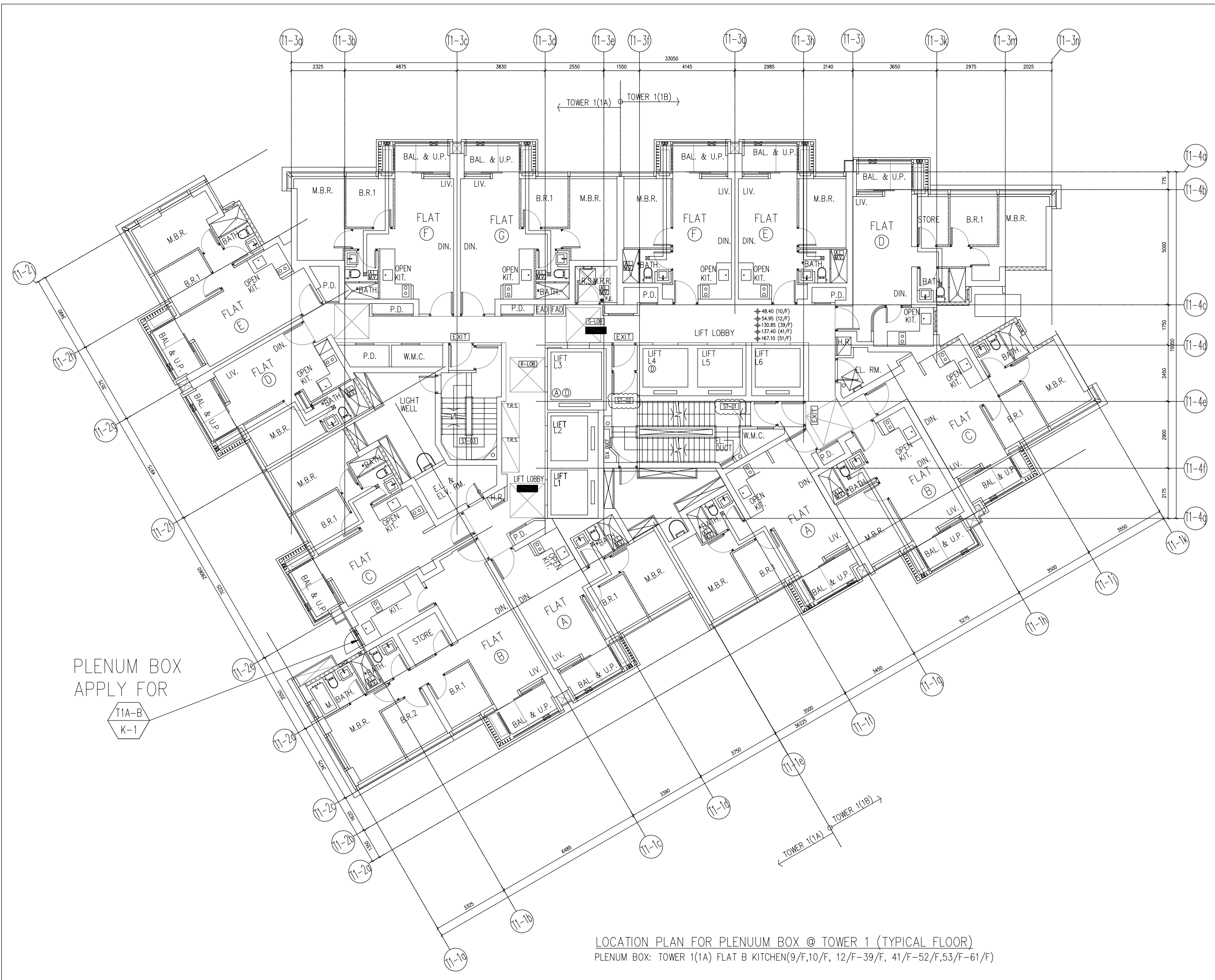
**PROPOSED RESIDENTIAL DEVELOPMENT  
AT TKOTL 7ORP, PHASE 11, LOHAS PARK, TSEUNG KWAN O, N.T.**

1

**TITLE : SHOP DRAWING FOR  
PLENUM BOX**

**DATE: 15 - JUNE - 2022**





LOCATION PLAN FOR PLENUM BOX @ TOWER 1 (TYPICAL FLOOR)  
 PLENUM BOX: TOWER 1(1A) FLAT B KITCHEN(9/F,10/F, 12/F-39/F, 41/F-52/F,53/F-61/F)

B.D. REF :

---

CLIENT :  
 信和置業有限公司  
 Sino Land Company Limited

ARCHITECT :  
**ronald lu & partners**  
 Architects, Planners, Interior Designers  
 Ronald Lu & Partners (HK) Ltd.  
 呂元祥建築師事務所 (香港) 有限公司

MAIN CONTRACTOR :  
**Gammon**

STRUCTURAL ENGINEER :  
**AECOM**

FAÇADE CONSULTANT:  
**AECOM**

NOTE :  
 1. ALL DIMENSIONS ARE IN mm.  
 2. ALL ELEVATIONS ARE VIEWED FROM OUTSIDE.  
 3. ALL DIMENSIONS TO BE VERIFIED ON SITE BEFORE FABRICATION.

LEGEND :  
 X1 — DETAIL MARK NO.  
 X001 — REFER SHEET NO.  
 1. F.F.L. — FINISHED FLOOR LEVEL  
 2. S.F.L. — STRUCTURAL FLOOR LEVEL  
 3. (R) — REVERSED DETAIL

NO.	DATE	REVISED	BY

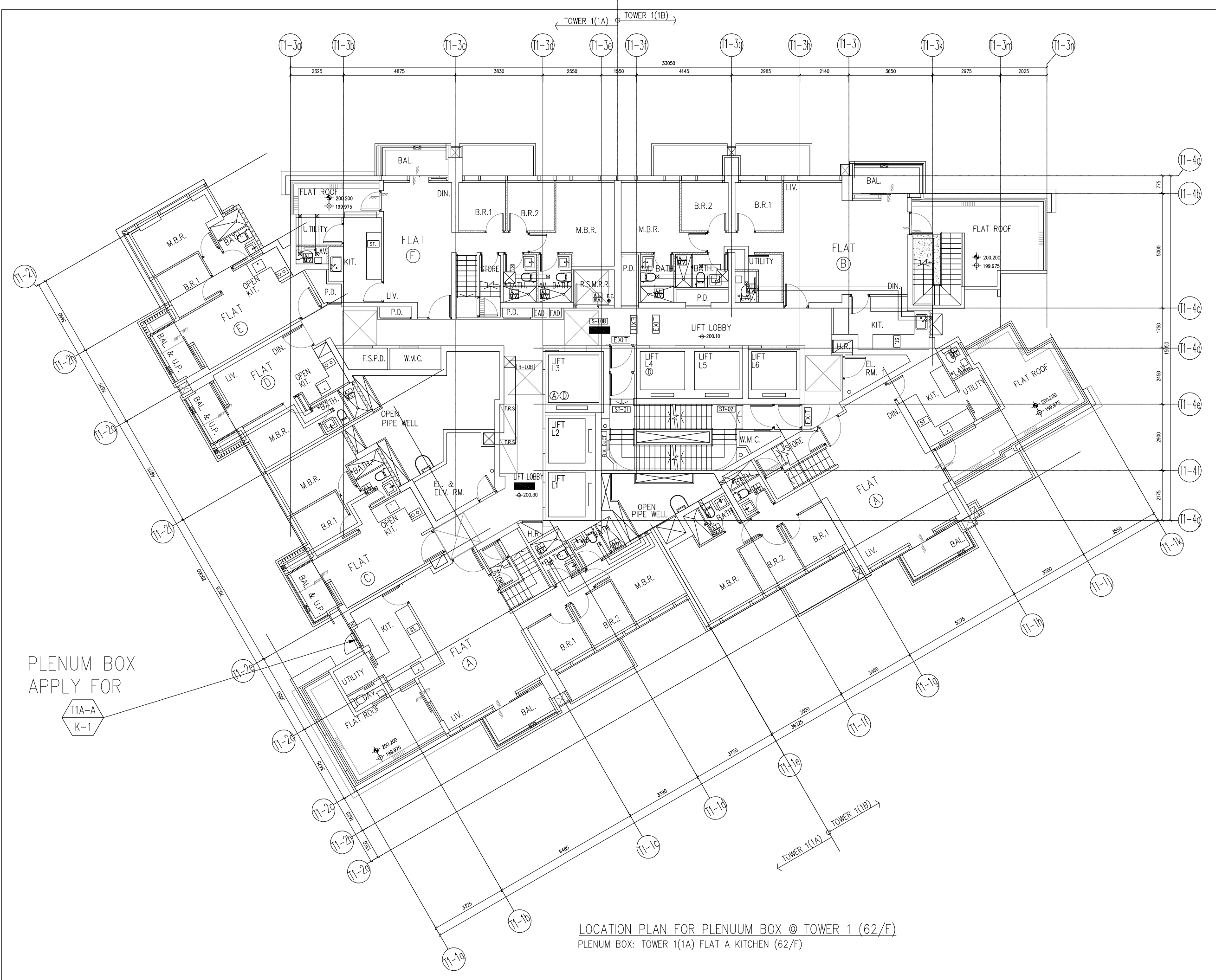
JOB NO. : J-858  
 PROJECT : PROPOSED RESIDENTIAL DEVELOPMENT AT TKOTL 70RP, PHASE 11, LOHAS PARK TSEUNG KWAN O, N.T.

TITLE :  
 LOCATION PLAN (FOR T1 TYPICAL FLOOR)

DATE : 15-JUN-22 SCALE : 1:150  
 DRAWN BY : CHECKED BY :

**美特鋁質有限公司**  
 MIDI ALUMINIUM FABRICATOR LTD.  
 Units 6-8, Sunray Industrial Centre, 1/F  
 610 Cha Kwo Ling Road, Kowloon  
 Tel:23489211-4 Fax:(852)2727666

DWG NO. : J858-SD-PB-3011 REV. : -



LOCATION PLAN FOR PLENUM BOX @ TOWER 1 (62/F)  
 PLENUM BOX: TOWER 1(1A) FLAT A KITCHEN (62/F)

B.D. REF :

CLIENT :  
 信和置業有限公司  
 Sino Land Company Limited

ARCHITECT :  
 Ronald Lu & Partners  
 Architects, Planners, Interior Designers  
 Ronald Lu & Partners (HK) Ltd.  
 呂元祥建築師事務所 (香港) 有限公司

MAIN CONTRACTOR :  
 Gammon

STRUCTURAL ENGINEER :  
 AECOM

FAÇADE CONSULTANT:  
 AECOM

NOTE :  
 1. ALL DIMENSIONS ARE IN mm.  
 2. ALL ELEVATIONS ARE VIEWED FROM OUTSIDE.  
 3. ALL DIMENSIONS TO BE VERIFIED ON SITE BEFORE FABRICATION.

LEGEND :  
 X1 --- DETAIL MARK NO.  
 X001 --- REFER SHEET NO.  
 1. F.F.L. --- FINISHED FLOOR LEVEL  
 2. S.F.L. --- STRUCTURAL FLOOR LEVEL  
 3. (R) --- REVERSED DETAIL

NO.	DATE	REVISED	BY

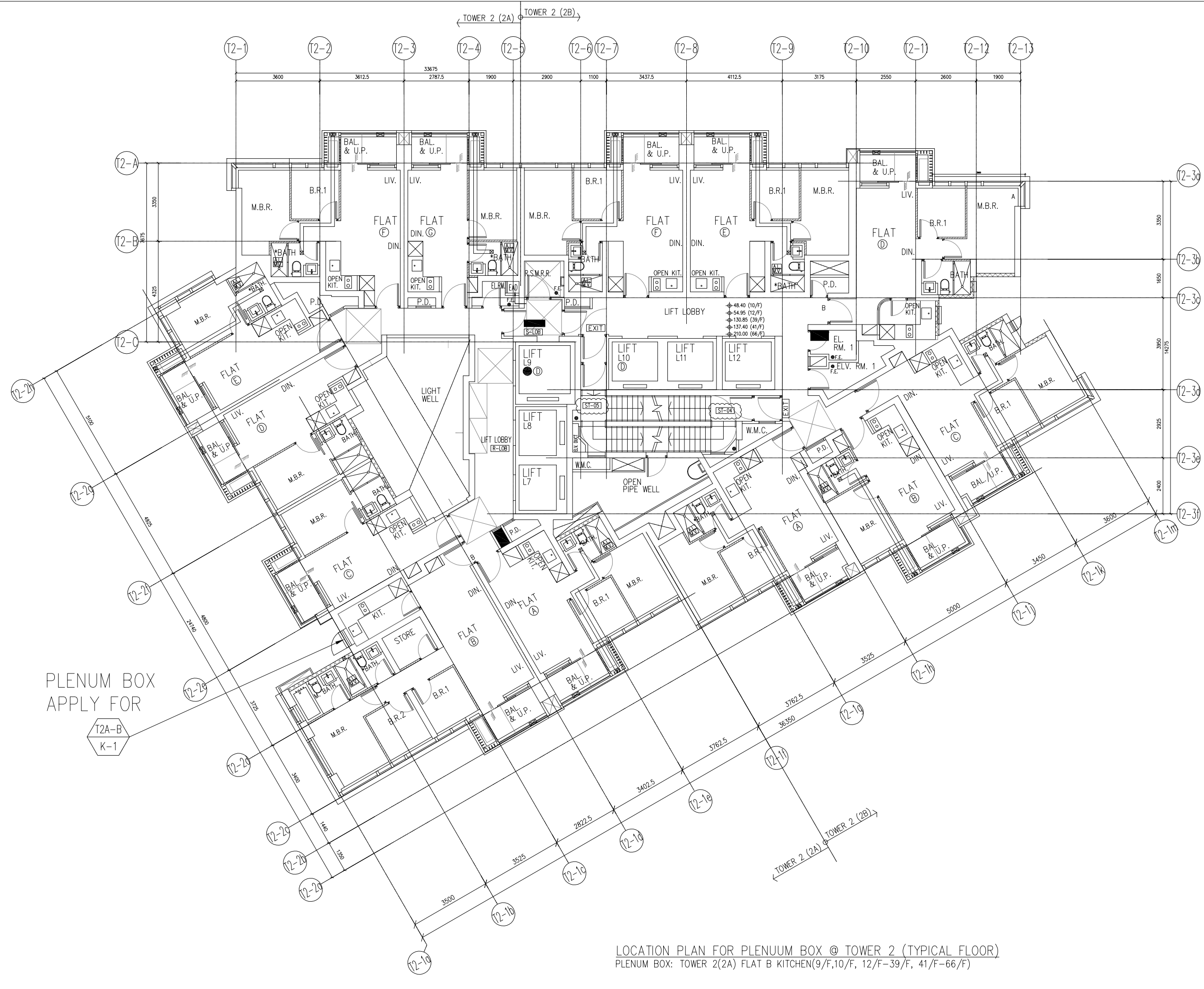
JOB NO. : J-858  
 PROJECT : PROPOSED RESIDENTIAL DEVELOPMENT AT TKOTL 70RP, PHASE 11, LOHAS PARK TSEUNG KWAN O, N.T.

TITLE :  
 LOCATION PLAN (FOR T1 62/F)

DATE : 15-JUN-22 SCALE : 1:150  
 DRAWN BY : CHECKED BY :

美特鋁質有限公司  
 MIDI ALUMINIUM FABRICATOR LTD.  
 Units 6-8, Sunray Industrial Centre, 1/F  
 610 Cha Kwo Ling Road, Kowloon  
 Tel:23489211-4 Fax:(852)2727666

DWG NO. : J858-SD-PB-3012 REV. : -



LOCATION PLAN FOR PLENUM BOX @ TOWER 2 (TYPICAL FLOOR)  
 PLENUM BOX: TOWER 2(2A) FLAT B KITCHEN(9/F,10/F, 12/F-39/F, 41/F-66/F)

B.D. REF :

CLIENT :  
 信和置業有限公司  
 Sino Land Company Limited

ARCHITECT :  
**ronald lu & partners**  
 Architects, Planners, Interior Designers  
 Ronald Lu & Partners (HK) Ltd.  
 呂元祥建築師事務所 (香港) 有限公司

MAIN CONTRACTOR :  
**Gammon**

STRUCTURAL ENGINEER :  
**AECOM**

FAÇADE CONSULTANT:  
**AECOM**

NOTE :  
 1. ALL DIMENSIONS ARE IN mm.  
 2. ALL ELEVATIONS ARE VIEWED FROM OUTSIDE.  
 3. ALL DIMENSIONS TO BE VERIFIED ON SITE BEFORE FABRICATION.

LEGEND :  
 X1 — DETAIL MARK NO.  
 X001 — REFER SHEET NO.  
 1. F.F.L. -- FINISHED FLOOR LEVEL  
 2. S.F.L. -- STRUCTURAL FLOOR LEVEL  
 3. (R) -- REVERSED DETAIL

NO.	DATE	REVISED	BY

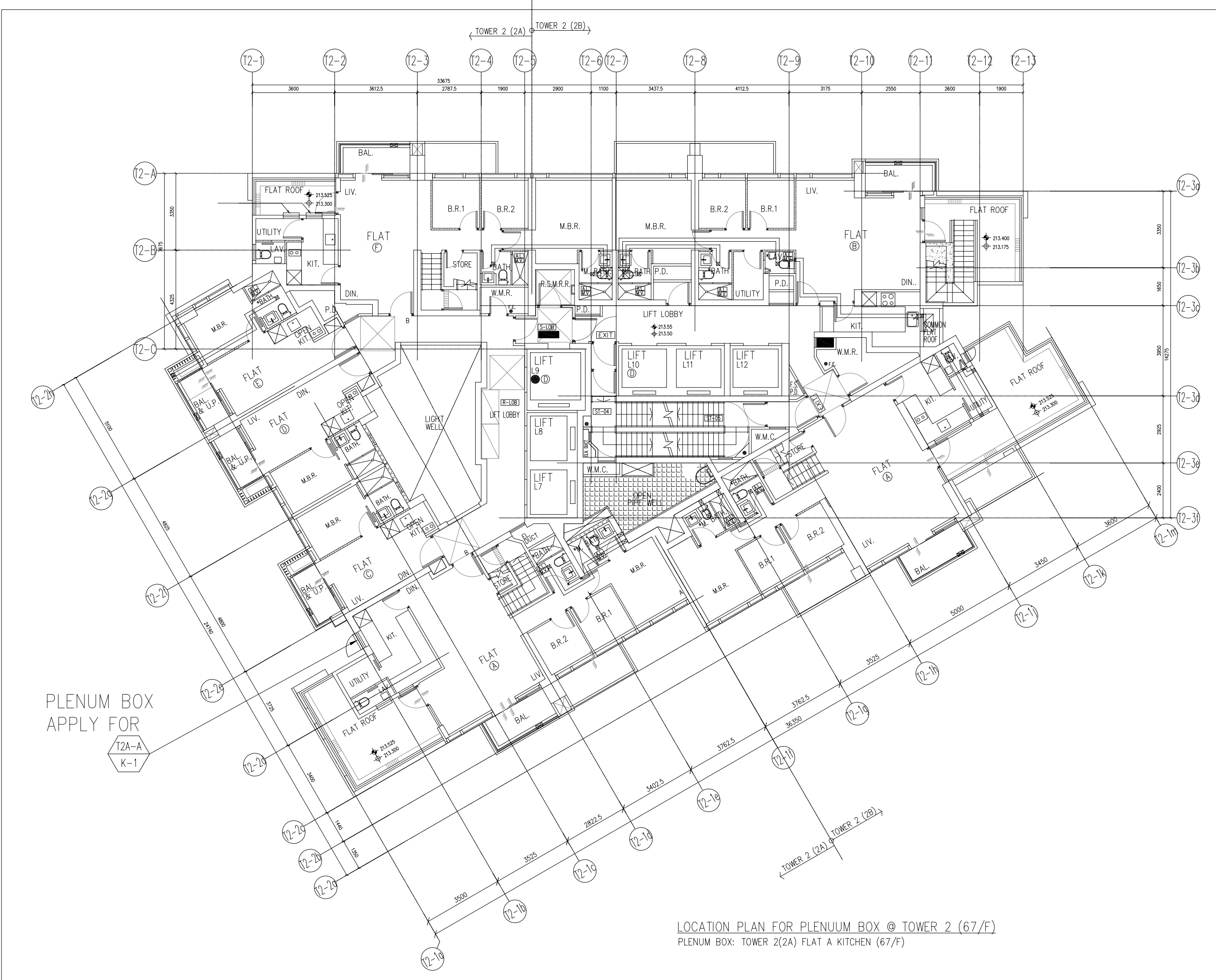
JOB NO. : J-858  
 PROJECT : PROPOSED RESIDENTIAL DEVELOPMENT AT TKOTL 70RP, PHASE 11, LOHAS PARK TSEUNG KWAN O, N.T.

TITLE :  
 LOCATION PLAN (FOR T2 TYPICAL FLOOR)

DATE : 15-JUN-22 SCALE : 1:150  
 DRAWN BY : CHECKED BY :

**美特鋁質有限公司**  
 MIDI ALUMINIUM FABRICATOR LTD.  
 Units 6-8, Sunray Industrial Centre, 1/F  
 610 Cha Kwo Ling Road, Kowloon  
 Tel:23489211-4 Fax:(852)2727666

DWG NO. : J858-SD-PB-3021 REV. : -



PLENUM BOX  
APPLY FOR  
T2A-A  
K-1

LOCATION PLAN FOR PLENUM BOX @ TOWER 2 (67/F)  
PLENUM BOX: TOWER 2(2A) FLAT A KITCHEN (67/F)

B.D. REF :

---

CLIENT :  
 信和置業有限公司  
 Sino Land Company Limited

ARCHITECT :  
**ronald lu & partners**  
 Architects, Planners, Interior Designers  
 Ronald Lu & Partners (HK) Ltd.  
 呂元祥建築師事務所 (香港) 有限公司

MAIN CONTRACTOR :  
**Gammon**

STRUCTURAL ENGINEER :  
**AECOM**

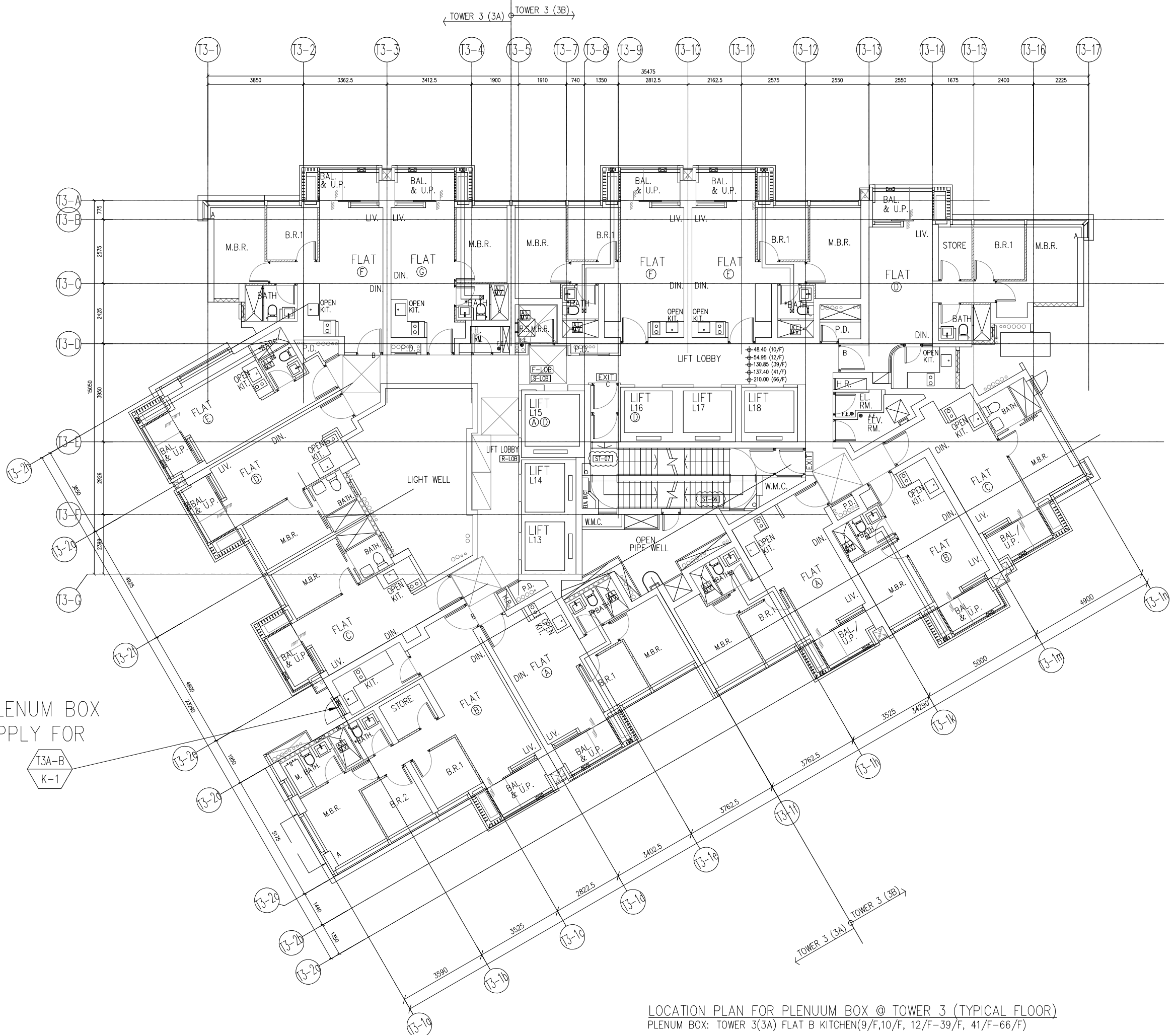
FAÇADE CONSULTANT:  
**AECOM**

NOTE :  
 1. ALL DIMENSIONS ARE IN mm.  
 2. ALL ELEVATIONS ARE VIEWED FROM OUTSIDE.  
 3. ALL DIMENSIONS TO BE VERIFIED ON SITE BEFORE FABRICATION.

LEGEND :  
 X1 — DETAIL MARK NO.  
 X001 — REFER SHEET NO.  
 1. F.F.L. -- FINISHED FLOOR LEVEL  
 2. S.F.L. -- STRUCTURAL FLOOR LEVEL  
 3. (R) -- REVERSED DETAIL

NO.	DATE	REVISED	BY

JOB NO. : J-858  
 PROJECT : PROPOSED RESIDENTIAL DEVELOPMENT AT TKOTL 70RP, PHASE 11, LOHAS PARK TSEUNG KWAN O, N.T.  
 TITLE : LOCATION PLAN (FOR T2 67/F)  
 DATE : 15-JUN-22 SCALE : 1:150  
 DRAWN BY : CHECKED BY :  
**美特鋁質有限公司**  
 MIDI ALUMINIUM FABRICATOR LTD.  
 Units 6-8, Sunray Industrial Centre, 1/F  
 610 Cha Kwo Ling Road, Kowloon  
 Tel:23489211-4 Fax:(852)2727666  
 DWG NO. : J858-SD-PB-3022 REV. : -



LOCATION PLAN FOR PLENUM BOX @ TOWER 3 (TYPICAL FLOOR)  
 PLENUM BOX: TOWER 3(3A) FLAT B KITCHEN(9/F,10/F, 12/F-39/F, 41/F-66/F)

B.D. REF :

CLIENT :  
 信和置業有限公司  
 Sino Land Company Limited

ARCHITECT :  
**ronald lu & partners**  
 Architects, Planners, Interior Designers  
 Ronald Lu & Partners (HK) Ltd.  
 呂元祥建築師事務所 (香港) 有限公司

MAIN CONTRACTOR :  
**Gammon**

STRUCTURAL ENGINEER :  
**AECOM**

FAÇADE CONSULTANT:  
**AECOM**

NOTE :  
 1. ALL DIMENSIONS ARE IN mm.  
 2. ALL ELEVATIONS ARE VIEWED FROM OUTSIDE.  
 3. ALL DIMENSIONS TO BE VERIFIED ON SITE BEFORE FABRICATION.

LEGEND :  
 X1 --- DETAIL MARK NO.  
 X001 --- REFER SHEET NO.  
 1. F.F.L. --- FINISHED FLOOR LEVEL  
 2. S.F.L. --- STRUCTURAL FLOOR LEVEL  
 3. (R) --- REVERSED DETAIL

NO.	DATE	REVISED	BY
-----	------	---------	----

JOB NO. : J-858  
 PROJECT :  
 PROPOSED RESIDENTIAL DEVELOPMENT  
 AT TKOTL 70RP, PHASE 11, LOHAS PARK  
 TSEUNG KWAN O, N.T.

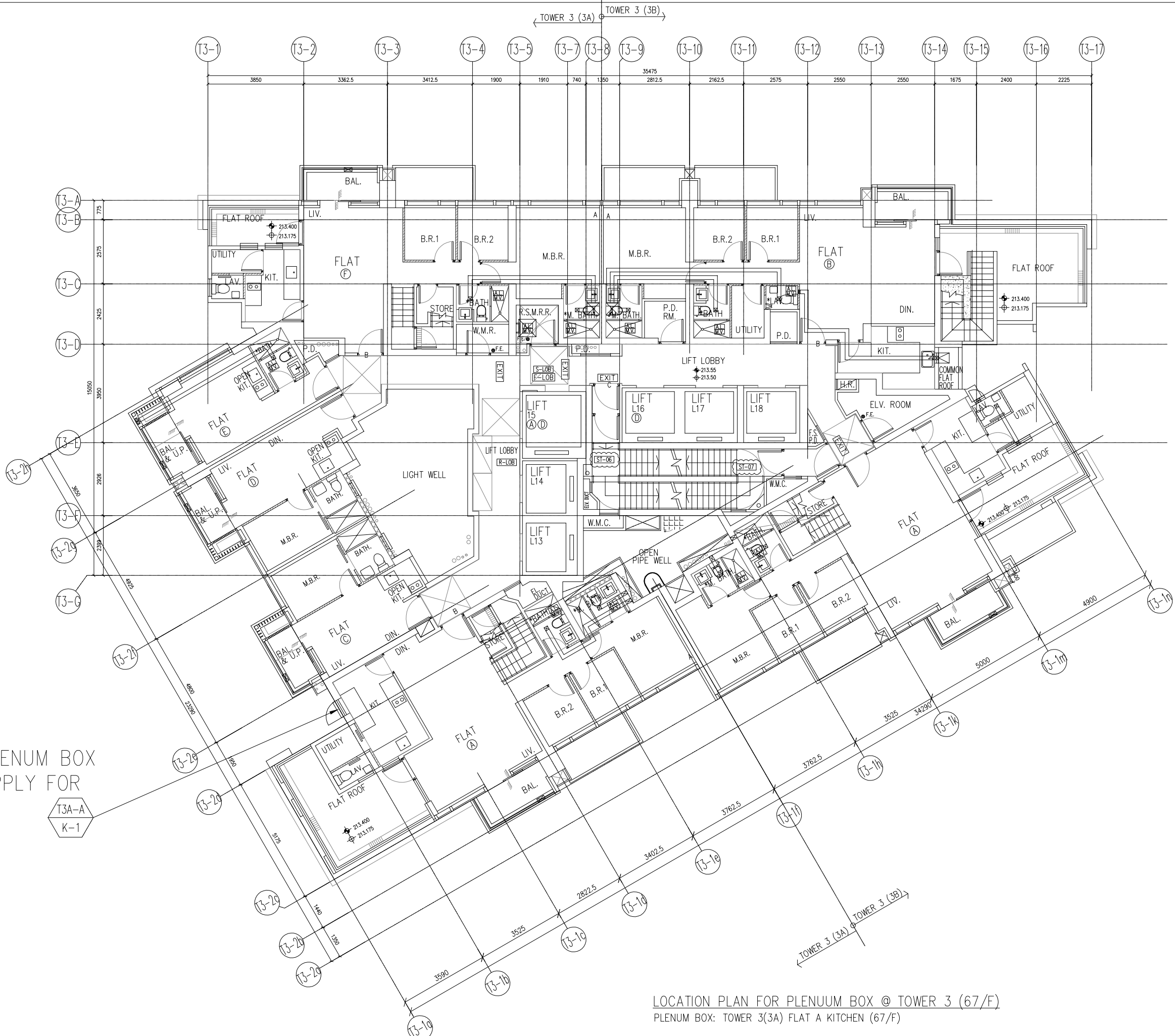
TITLE :  
 LOCATION PLAN  
 (FOR T3 TYPICAL FLOOR)

DATE : 15-JUN-22 SCALE : 1:150

DRAWN BY : CHECKED BY :

**美特鋁質有限公司**  
 MIDI ALUMINIUM FABRICATOR LTD.  
 Units 6-8, Sunray Industrial Centre, 1/F  
 610 Cha Kwo Ling Road, Kowloon  
 Tel:23489211-4 Fax:(852)2727666

DWG NO. : J858-SD-PB-3031 REV. : -



PLENUM BOX  
APPLY FOR

T3A-A  
K-1

LOCATION PLAN FOR PLENUM BOX @ TOWER 3 (67/F)  
PLENUM BOX: TOWER 3(3A) FLAT A KITCHEN (67/F)

B.D. REF :

---

CLIENT :  
 信和置業有限公司  
 Sino Land Company Limited

ARCHITECT :  
**ronald lu & partners**  
 Architects, Planners, Interior Designers  
 Ronald Lu & Partners (HK) Ltd.  
 呂元祥建築師事務所 (香港) 有限公司

MAIN CONTRACTOR :  
**Gammon**

STRUCTURAL ENGINEER :  
**AECOM**

FAÇADE CONSULTANT:  
**AECOM**

NOTE :  
 1. ALL DIMENSIONS ARE IN mm.  
 2. ALL ELEVATIONS ARE VIEWED FROM OUTSIDE.  
 3. ALL DIMENSIONS TO BE VERIFIED ON SITE BEFORE FABRICATION.

LEGEND :  
 X1 — DETAIL MARK NO.  
 X001 — REFER SHEET NO.  
 1. F.F.L. — FINISHED FLOOR LEVEL  
 2. S.F.L. — STRUCTURAL FLOOR LEVEL  
 3. (R) — REVERSED DETAIL

NO.	DATE	REVISED	BY

JOB NO. : J-858

PROJECT :  
 PROPOSED RESIDENTIAL DEVELOPMENT  
 AT TKOTL 70RP, PHASE 11, LOHAS PARK  
 TSEUNG KWAN O, N.T.

TITLE :  
 LOCATION PLAN  
 (FOR T3 67/F)

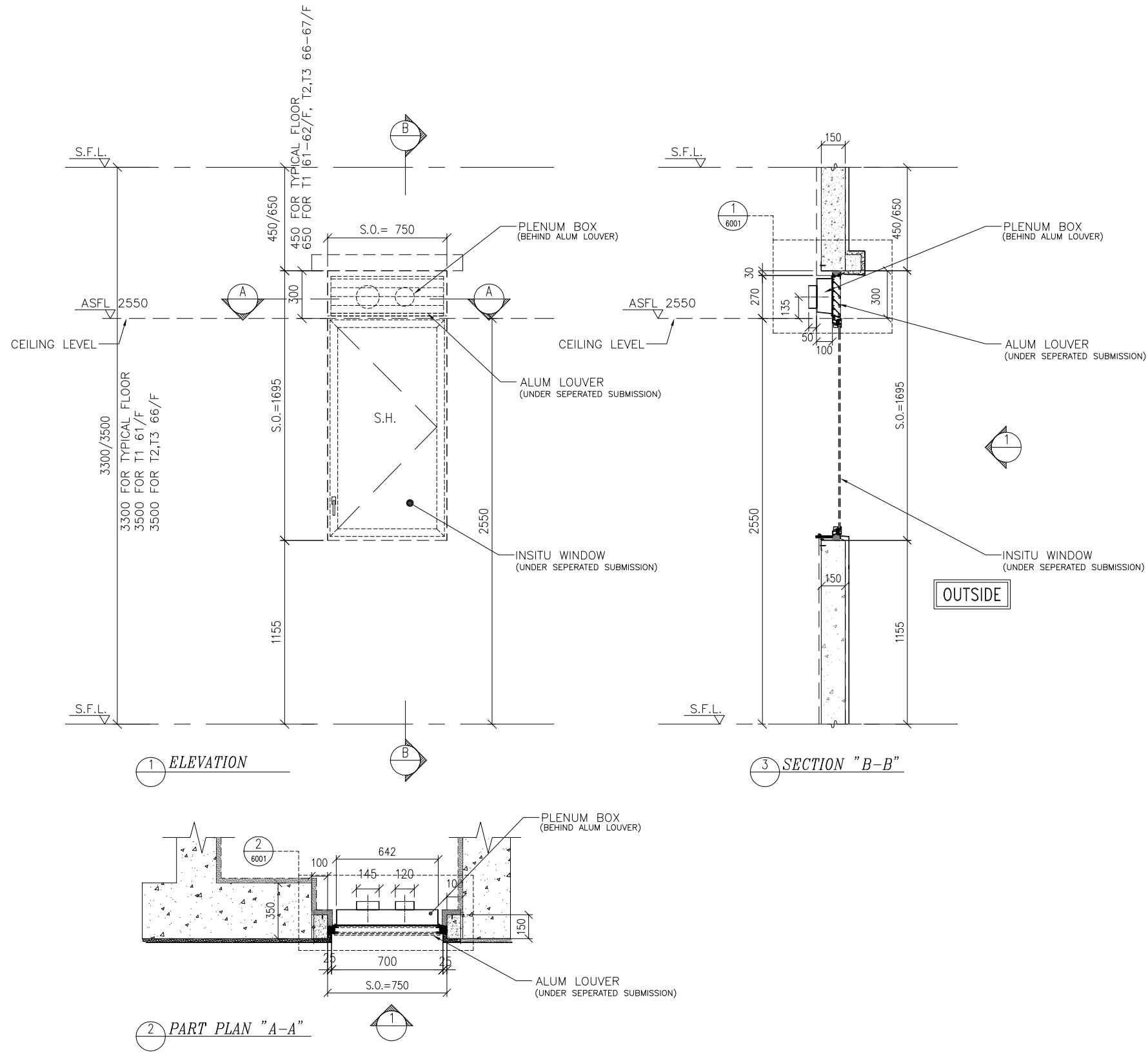
DATE : 15-JUN-22    SCALE : 1:150

DRAWN BY :    CHECKED BY :

**美特鋁質有限公司**  
 MIDI ALUMINIUM FABRICATOR LTD.  
 Units 6-8, Sunray Industrial Centre, 1/F  
 610 Cha Kwo Ling Road, Kowloon  
 Tel:23489211-4 Fax:(852)2727666

DWG NO. : J858-SD-PB-3032    REV. : -

ELEVATION



B.D. REF :

CLIENT :  
 信和置業有限公司  
 Sino Land Company Limited

ARCHITECT :  
**ronald lu & partners**  
 Architects, Planners, Interior Designers  
 Ronald Lu & Partners (HK) Ltd.  
 呂元祥建築師事務所 (香港) 有限公司

MAIN CONTRACTOR :  
**Gammon**

STRUCTURAL ENGINEER :  
**AECOM**

FACADE CONSULTANT:  
**AECOM**

NOTE :  
 1. ALL DIMENSIONS ARE IN mm.  
 2. ALL ELEVATIONS ARE VIEWED FROM OUTSIDE.  
 3. ALL DIMENSIONS TO BE VERIFIED ON SITE BEFORE FABRICATION.

LEGEND :  
 X1 --- DETAIL MARK NO.  
 X001 --- REFER SHEET NO.  
 1. F.F.L. --- FINISHED FLOOR LEVEL  
 2. S.F.L. --- STRUCTURAL FLOOR LEVEL  
 3. --- REVERSED DETAIL

NO.	DATE	REVISED	BY
-----	------	---------	----

JOB NO. : J-858  
 PROJECT : PROPOSED RESIDENTIAL DEVELOPMENT AT TKOTL 70RP, PHASE 11, LOHAS PARK TSEUNG KWAN O, N.T.

TITLE : SCHEDULE FOR PLENUM BOX

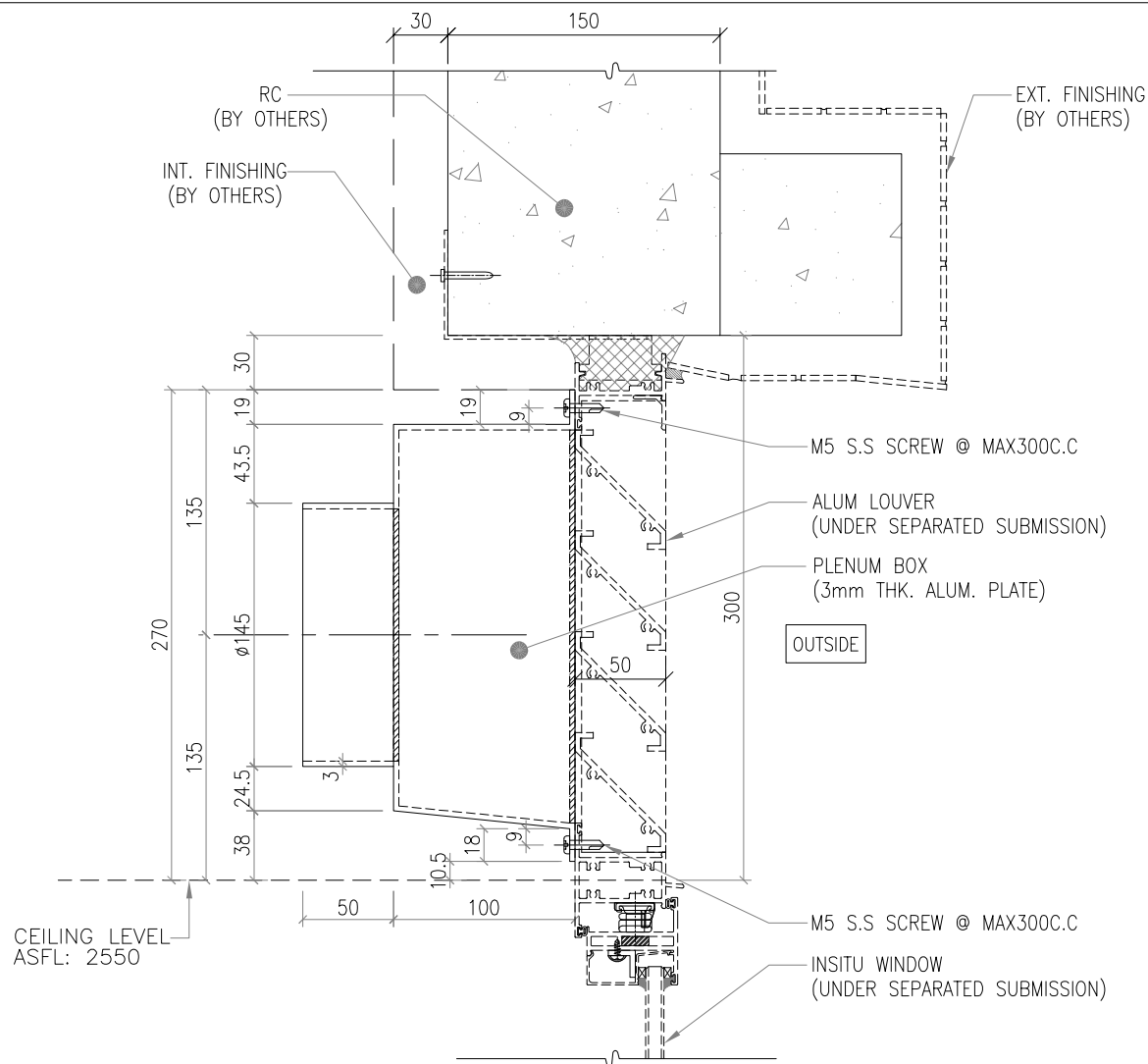
DATE : 02-JUN-22 SCALE : 1:30

DRAWN BY : CHECKED BY :

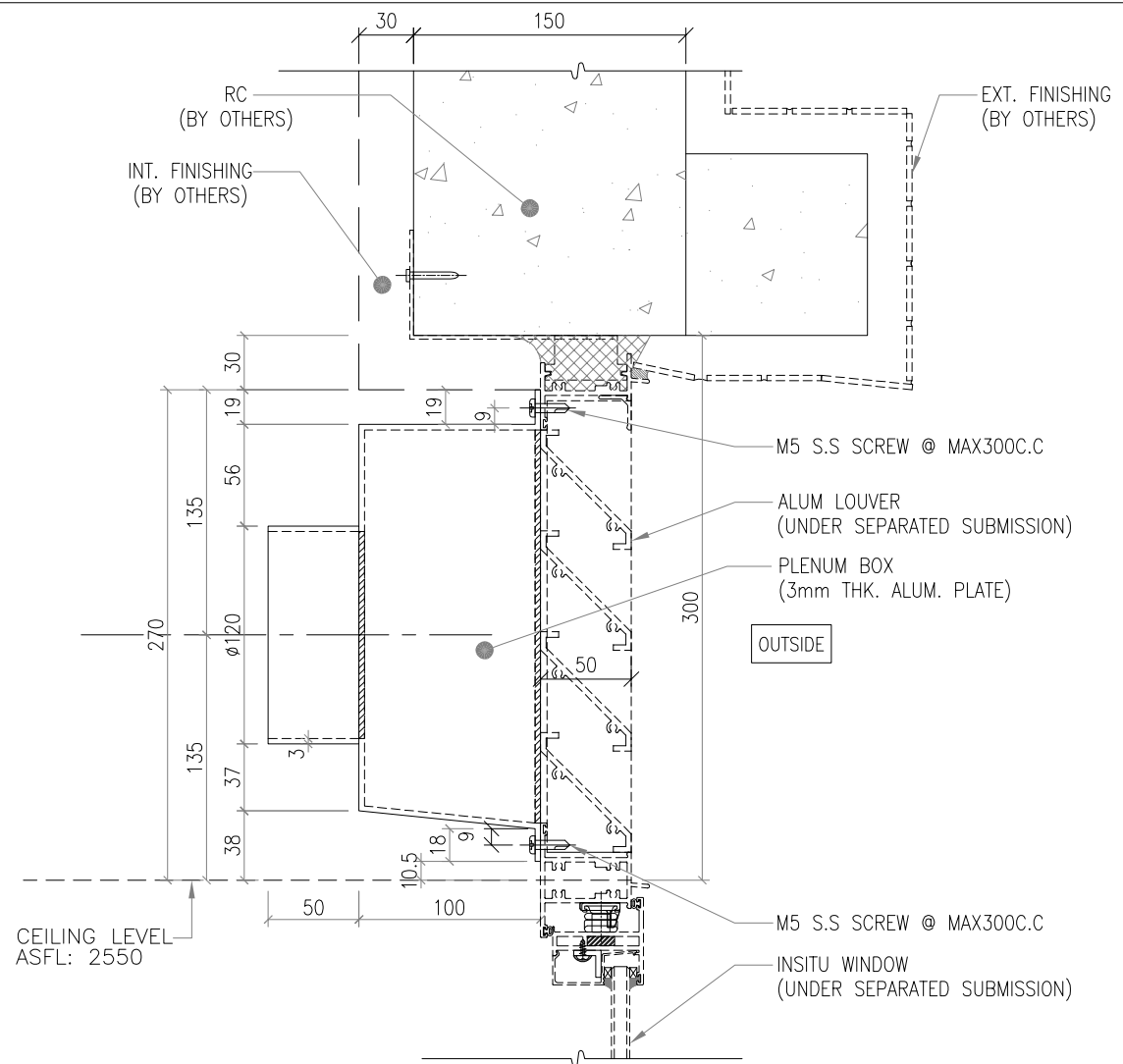
**美特鋁質有限公司**  
 MIDI ALUMINIUM FABRICATOR LTD.  
 Units 6-8, Sunray Industrial Centre, 1/F  
 610 Cha Kwo Ling Road, Kowloon  
 Tel:23489211-4 Fax:(852)2727666

DWG NO. : J858-SD-PB-4001 REV. : -

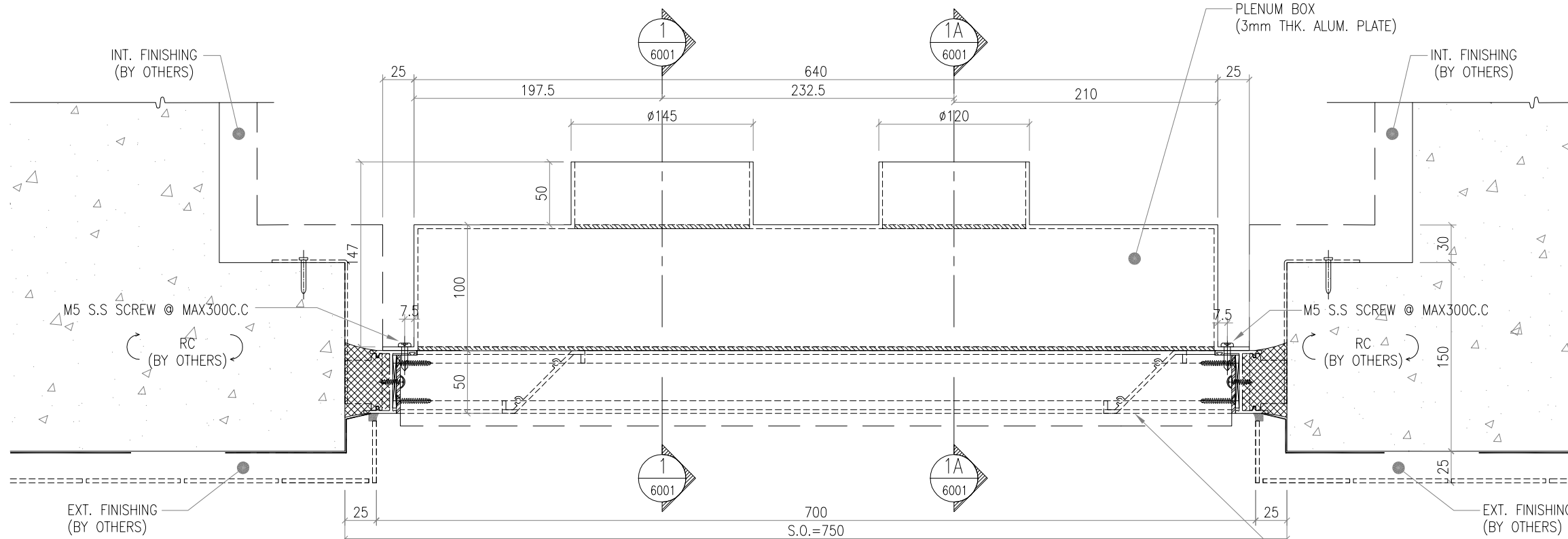
APPLY FOR WINDOW MARK	(TYPICAL)	(62/F ONLY)	(TYPICAL)	(62/F ONLY)	(TYPICAL)	(62/F ONLY)
SECTION :	3MM THK CHROMATED ALUM PLATE		3MM THK CHROMATED ALUM PLATE		3MM THK CHROMATED ALUM PLATE	
QTY.	46 NOS. : 45 NOS. (TYPICAL) + 1 NOS. (62/F)		50 NOS. : 49 NOS. (TYPICAL) + 1 NOS. (67/F)		50 NOS. : 49 NOS. (TYPICAL) + 1 NOS. (67/F)	
LOCATION :	TOWER 1(1A) FLAT B KITCHEN(9/F,10/F, 12/F-39/F, 41/F-52/F,53/F-61/F)&(62/F)		TOWER 2(2A) FLAT B KITCHEN(9/F,10/F, 12/F-39/F, 41/F-66/F)&(67/F)		TOWER 3(3A) FLAT B KITCHEN(9/F,10/F, 12/F-39/F, 41/F-66/F)&(67/F)	
REMARK :						



1 VERTICAL DETAIL  
6001 SCALE 1:1



1A VERTICAL DETAIL  
6001 SCALE 1:1



2 HORIZONTAL DETAIL  
6001 SCALE 1:1

B.D. REF :

CLIENT :  
信和置業有限公司  
Sino Land Company Limited

ARCHITECT :  
ronald lu & partners  
Architects, Planners, Interior Designers  
Ronald Lu & Partners (HK) Ltd.  
呂元祥建築師事務所 (香港) 有限公司

MAIN CONTRACTOR :  
Gammon

STRUCTURAL ENGINEER :  
AECOM

FAÇADE CONSULTANT:  
AECOM

- NOTE :
1. ALL DIMENSIONS ARE IN mm.
  2. ALL ELEVATIONS ARE VIEWED FROM OUTSIDE.
  3. ALL DIMENSIONS TO BE VERIFIED ON SITE BEFORE FABRICATION.
- LEGEND :
- x1 — DETAIL MARK NO.
  - x001 — REFER SHEET NO.
1. F.F.L. -- FINISHED FLOOR LEVEL
  2. S.F.L. -- STRUCTURAL FLOOR LEVEL
  3. (R) -- REVERSED DETAIL

NO.	DATE	REVISED	BY
JOB NO. : J-858			
PROJECT : PROPOSED RESIDENTIAL DEVELOPMENT AT TKOTL 70RP, PHASE 11, LOHAS PARK TSEUNG KWAN O, N.T.			
TITLE : TYPICAL DETAIL FOR PLENUM BOX			
DATE : 02-JUN-22		SCALE :	
DRAWN BY :		CHECKED BY :	
美特鋁質有限公司 <b>MIDI ALUMINIUM FABRICATOR LTD.</b> Units 6-8, Sunray Industrial Centre, 1/F 610 Cha Kwo Ling Road, Kowloon Tel:23489211-4 Fax:(852)2727666			
DWG NO. : J858-SD-PB-6001		REV. : -	