

工程指示 / 要求簡箋(E.I.)

工程指示編號：EI / 4672 / 22

修改版次：A

工程編號：J - 858

工程名稱：將軍澳日出康城 11

工程項目：試水箱 大圖和地址

收件人：生統 / 林哥

發件人：Ant Yeung

日期：31/08/2022

要求提供 / 確認 事項：

- |                                    |                                     |                               |
|------------------------------------|-------------------------------------|-------------------------------|
| <input type="checkbox"/> 初步鋁料 B.M. | <input type="checkbox"/> 加工拆圖，然後生產  | <input type="checkbox"/> 尺寸表  |
| <input type="checkbox"/> 正式鋁料 B.M. | <input type="checkbox"/> 技術上資料 / 指示 | <input type="checkbox"/> 報價   |
| <input type="checkbox"/> 配件 B.M.   | <input type="checkbox"/> 樣辦或貨品說明書   | <input type="checkbox"/> 分判合約 |
- 內容：

A：附上更新圖紙

附上 J858 試水箱大圖。

附地址：香港新界粉嶺坪輦坪原路 DD77, 328 地段

公正行 為香港幕牆檢測中心

謝謝

請在 預 2022.09.15 出貨單元 前完成上列要求。

附：1 頁

原合約工程包

原合約工程加 / 減賬

新工程報價

分發東莞各部門：

- |  |   |   |  |
|--|---|---|--|
| <input type="checkbox"/> 生產技術總監 <input type="checkbox"/> 連附件         | <input type="checkbox"/> 技術部 <input type="checkbox"/> 連附件   | <input type="checkbox"/> 生產部 <input type="checkbox"/> 連附件               | <input type="checkbox"/> 機械設計部 <input type="checkbox"/> 連附件    |
| <input type="checkbox"/> 採購部 <input type="checkbox"/> 連附件            | <input type="checkbox"/> 生產統籌部 <input type="checkbox"/> 連附件 | <input checked="" type="checkbox"/> 小羅 & 清 <input type="checkbox"/> 連附件 |  |
| <input checked="" type="checkbox"/> 質檢部 <input type="checkbox"/> 連附件 | <input type="checkbox"/> 會計部 <input type="checkbox"/> 連附件   | <input type="checkbox"/> 報關組 <input type="checkbox"/> 連附件               | <input type="checkbox"/> 其他 _____ <input type="checkbox"/> 連附件 |

分發：


- |   |  |
|---|--|
| <input type="checkbox"/> 濱 <input type="checkbox"/> 連附件 | <input type="checkbox"/> 水洪 <input type="checkbox"/> 連附件 |
|---|--|


分發香港各部門：

- |   |  |  |  |  |
|---|--|--|--|--|
| <input type="checkbox"/> 行政部 <input type="checkbox"/> 連附件 | <input type="checkbox"/> 會計部 <input type="checkbox"/> 連附件  | <input checked="" type="checkbox"/> 統籌部 <input type="checkbox"/> 連附件 | <input type="checkbox"/> 工程部地盤科文 <input type="checkbox"/> 連附件  | <input checked="" type="checkbox"/> 寶成 |
| <input type="checkbox"/> 採購部 <input type="checkbox"/> 連附件 | <input type="checkbox"/> QS 部 <input type="checkbox"/> 連附件 | <input type="checkbox"/> 維修部 <input type="checkbox"/> 連附件            | <input type="checkbox"/> 其他 _____ <input type="checkbox"/> 連附件 |  |

傳遞編號：

HK 1494 / 22

發件人簽署：

項目經理簽署：



香港幕牆檢測中心有限公司

Hong Kong Curtain Wall Testing Centre Ltd

Unit 1207, 12/F, Block A, New Trade Plaza, 6 On Ping Street, Shatin, N.T., Hong Kong

Tel : (852) 2687 6122

Web-site: www.curtainwalltest.com

Fax : (852) 2690 0122

e-mail: enquiry@curtainwalltest.com

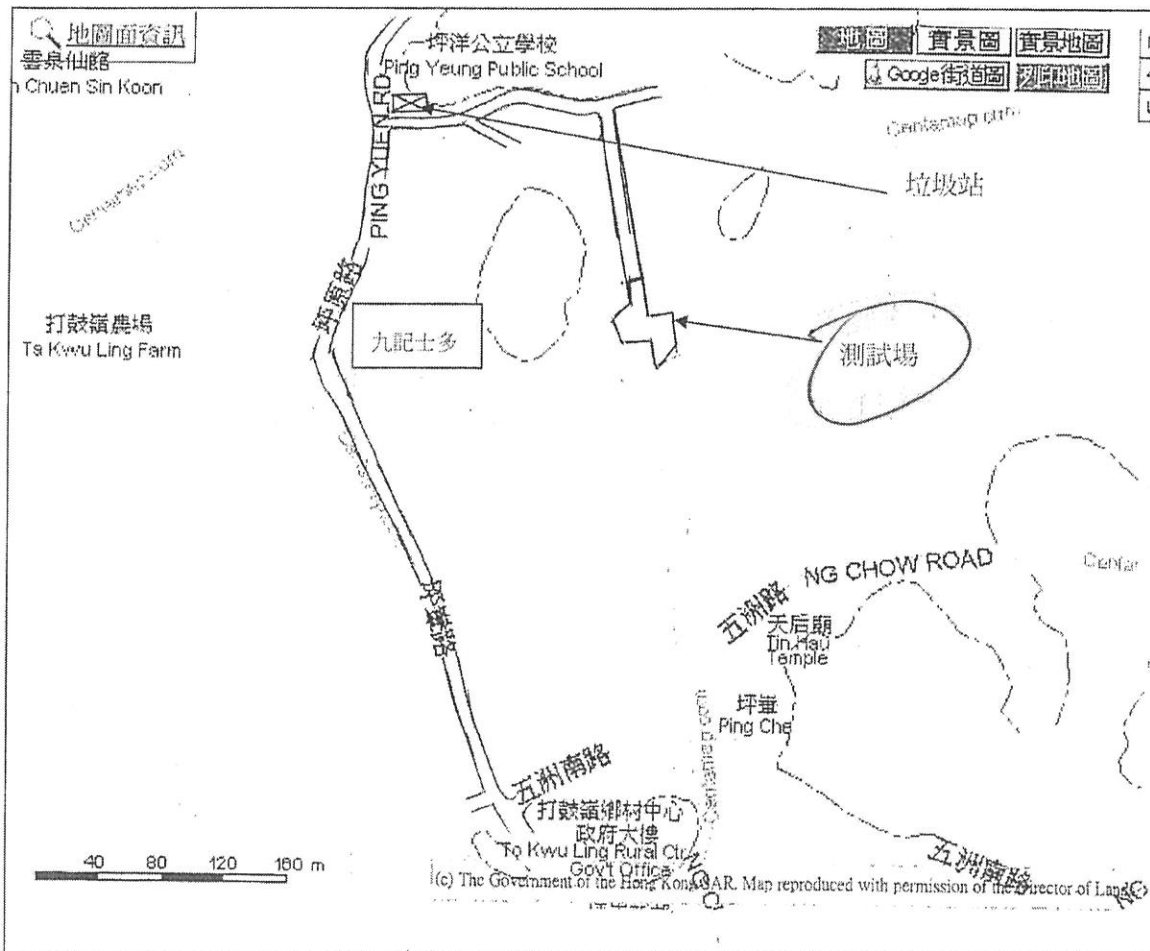
### 香港幕牆檢測中心有限公司 - 坪原路測試場

地址 : 香港新界粉嶺坪壘坪原路DD77 328地段

聯絡人 : 黃先生 (電話 6072 2594)

行駛路線 : 由坪壘路右轉坪原路(路口九記士多), 於垃圾站右轉, 右手邊第二個路口右轉, 直入到達大門。

地圖示標圖 :



**PROJECT :**

**PROPOSED RESIDENTIAL DEVELOPMENT  
AT TKOTL 70RP, PHASE 11, SAI SHAN ROAD  
LOHAS PARK, TSEUNG KWAN O, N.T.**

**BD DRAWING FOR  
PERFORMANCE TEST OF  
TOWER CURTAIN WALL  
DATE : 25 - AUG - 2022**



Units 6-8, Sunray Industrial Centre, 1/F  
610 Cha Kwo Ling Road, Kowloon  
Tel:23489211-4 Fax:(852)27727666





B.D. REF :

CLIENT :  
 信和置業有限公司  
 Sino Land Company Limited

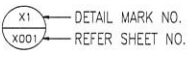
ARCHITECT :  
 **ronald lu & partners**  
 Architects, Planners, Interior Designers  
 Ronald Lu & Partners (HK) Ltd.  
 呂元祥建築師事務所(香港)有限公司

MAIN CONTRACTOR :  
 **Gammon**

STRUCTURAL ENGINEER :  
 **AECOM**

FAÇADE CONSULTANT:  
 **AECOM**

NOTE :  
 1. ALL DIMENSIONS ARE IN MM.  
 2. ALL ELEVATIONS ARE VIEWED FROM OUTSIDE.  
 3. ALL DIMENSIONS TO BE VERIFIED ON SITE BEFORE FABRICATION.

LEGEND :  
 X1 --- DETAIL MARK NO.  
 X001 --- REFER SHEET NO.  
 1. F.F.L. --- FINISHED FLOOR LEVEL  
 2. S.F.L. --- STRUCTURAL FLOOR LEVEL  
 3. (R) --- REVERSED DETAIL

A [23/06/22] GENERAL REVISED		LS
NO.	DATE	REVISOR
		BY

JOB NO. : J-858  
 PROJECT :  
 PROPOSED RESIDENTIAL DEVELOPMENT  
 AT TKOTL 70RP, PHASE 11, LOHAS PARK  
 TSEUNG KWAN O, N.T.

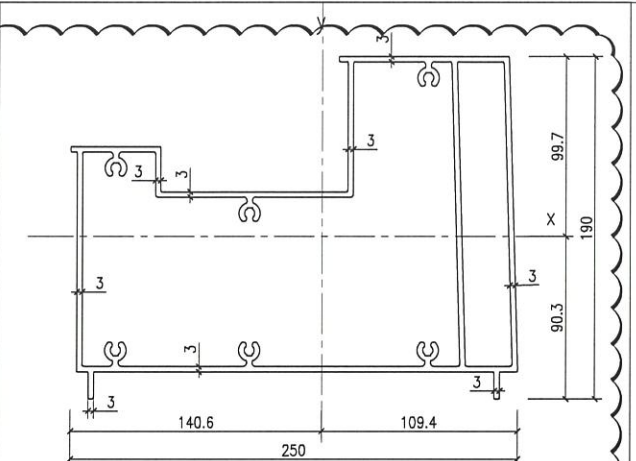
TITLE :  
 MATERIAL LIST FOR  
 CURTAIN WALL

DATE : 28-04-22 SCALE : 1:2(A1)

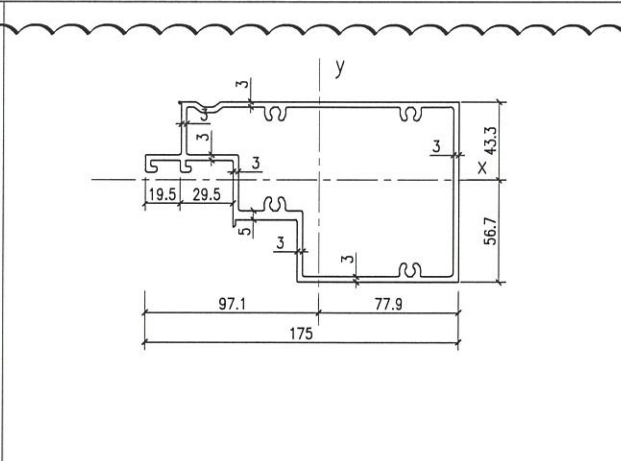
DRAWN BY : CHECKED BY :

 **美特鋁質有限公司**  
**MIDI ALUMINUM FABRICATOR LTD.**  
 Units 6-8, Sunray Industrial Centre, 1/F  
 610 Cha Kwo Ling Road, Kowloon  
 Tel:23489211-4 Fax:(852)27727666

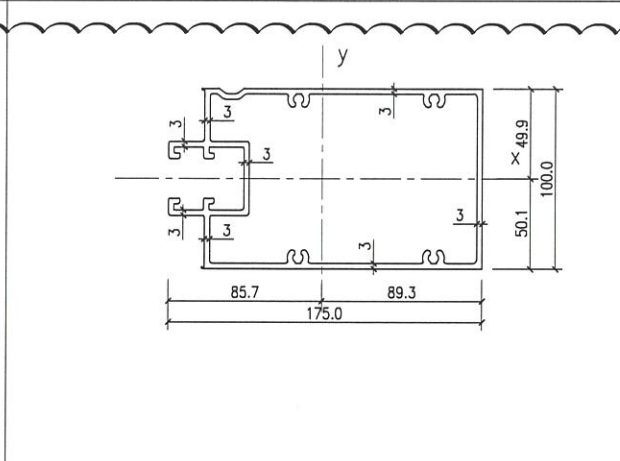
DWG NO. : J858-PT-DL02 REV. : A



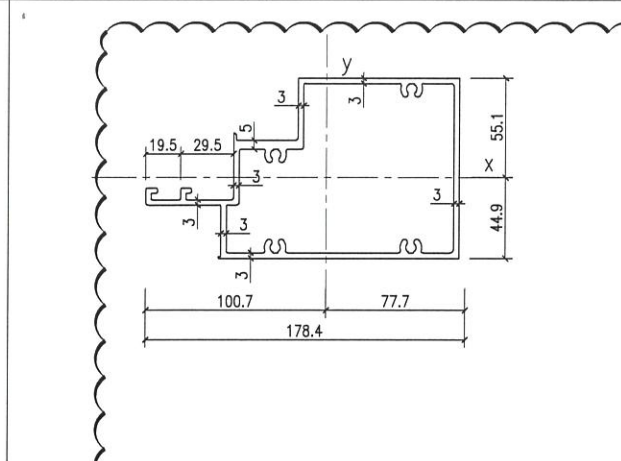
DIE SECTION	MULLION (F1)	SECTION MODULUS( cm <sup>2</sup> )	Zx	198.57
MATERIAL	6063-T6	Zy	138.56	
DIE NO.	-	MOMENT OF INERTIA ( cm <sup>4</sup> )	Ix	2790.99
		Iy	1381.47	
		CENTER OF GRAVITY ( cm)	Cx	14.06
		Cy	9.97	
		AREA ( mm <sup>2</sup> )	3745.70	
		OS.PERIMETER ( mm)	2448.55	
		WEIGHT ( kg/m)	10.15	
		CIR.SIZE ( mm)	317.1	
		AV.THICKNESS ( mm)	-	
		F(FACTOR)	-	



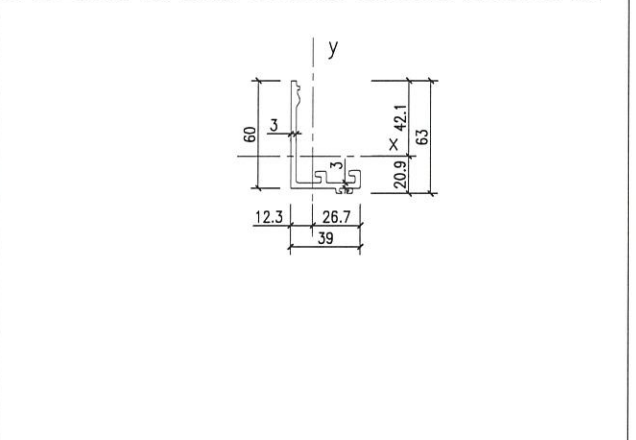
DIE SECTION	TRANSOM (T7)	SECTION MODULUS( cm <sup>2</sup> )	Zx	43.35
MATERIAL	6063-T6	Zy	56.75	
DIE NO.	-	MOMENT OF INERTIA ( cm <sup>4</sup> )	Ix	245.81
		Iy	551.18	
		CENTER OF GRAVITY ( cm)	Cx	5.67
		Cy	9.71	
		AREA ( mm <sup>2</sup> )	1899.89	
		OS.PERIMETER ( mm)	1183.79	
		WEIGHT ( kg/m)	5.15	
		CIR.SIZE ( mm)	195.9	
		AV.THICKNESS ( mm)	-	
		F(FACTOR)	-	



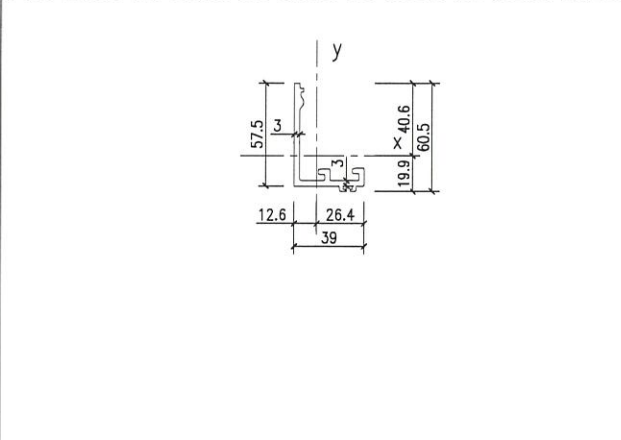
DIE SECTION	TRANSOM (T6)	SECTION MODULUS( cm <sup>2</sup> )	Zx	62.16
MATERIAL	6063-T6	Zy	80.88	
DIE NO.	-	MOMENT OF INERTIA ( cm <sup>4</sup> )	Ix	311.47
		Iy	722.19	
		CENTER OF GRAVITY ( cm)	Cx	5.01
		Cy	8.93	
		AREA ( mm <sup>2</sup> )	2073.35	
		OS.PERIMETER ( mm)	1341.74	
		WEIGHT ( kg/m)	5.62	
		CIR.SIZE ( mm)	204.8	
		AV.THICKNESS ( mm)	-	
		F(FACTOR)	-	



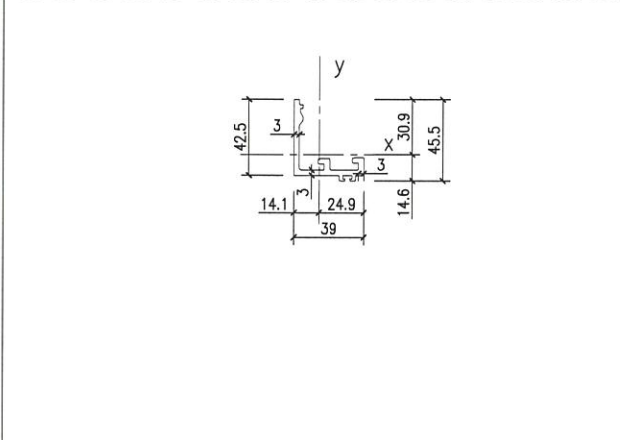
DIE SECTION	TRANSOM (T4)	SECTION MODULUS( cm <sup>2</sup> )	Zx	42.38
MATERIAL	6063-T6	Zy	49.02	
DIE NO.	-	MOMENT OF INERTIA ( cm <sup>4</sup> )	Ix	233.48
		Iy	493.74	
		CENTER OF GRAVITY ( cm)	Cx	5.51
		Cy	10.07	
		AREA ( mm <sup>2</sup> )	1826.89	
		OS.PERIMETER ( mm)	1135.98	
		WEIGHT ( kg/m)	4.95	
		CIR.SIZE ( mm)	203.5	
		AV.THICKNESS ( mm)	-	
		F(FACTOR)	-	



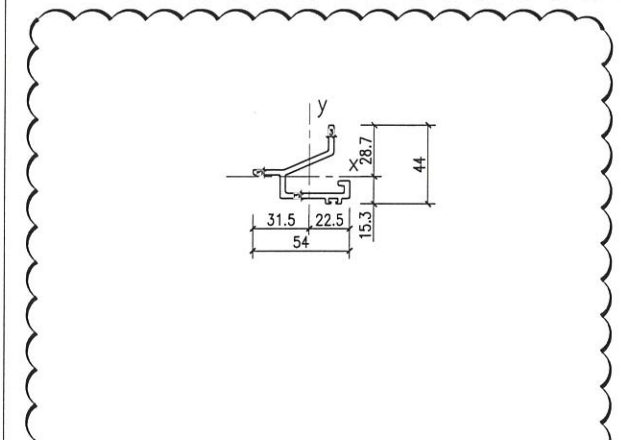
DIE SECTION	GLAZING(GA4)	SECTION MODULUS( cm <sup>2</sup> )	Zx	3.33
MATERIAL	6063-T5	Zy	2.47	
DIE NO.	-	MOMENT OF INERTIA ( cm <sup>4</sup> )	Ix	14.02
		Iy	6.58	
		CENTER OF GRAVITY ( cm)	Cx	4.21
		Cy	2.66	
		AREA ( mm <sup>2</sup> )	378.73	
		OS.PERIMETER ( mm)	254.57	
		WEIGHT ( kg/m)	1.03	
		CIR.SIZE ( mm)	87.8	
		AV.THICKNESS ( mm)	-	
		F(FACTOR)	-	



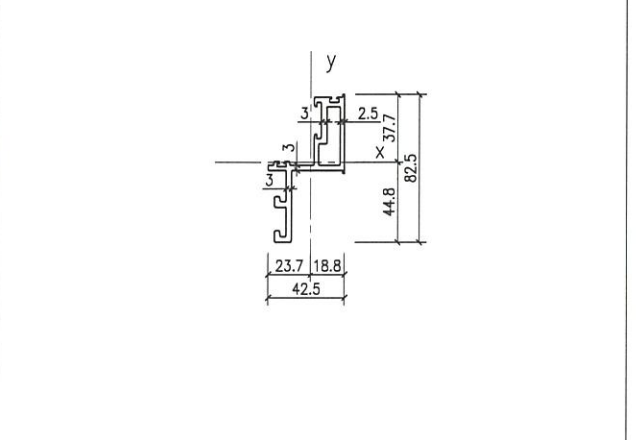
DIE SECTION	GLAZING(GA3)	SECTION MODULUS( cm <sup>2</sup> )	Zx	3.08
MATERIAL	6063-T5	Zy	2.45	
DIE NO.	-	MOMENT OF INERTIA ( cm <sup>4</sup> )	Ix	12.48
		Iy	6.49	
		CENTER OF GRAVITY ( cm)	Cx	4.05
		Cy	2.65	
		AREA ( mm <sup>2</sup> )	371.23	
		OS.PERIMETER ( mm)	249.57	
		WEIGHT ( kg/m)	1.01	
		CIR.SIZE ( mm)	85	
		AV.THICKNESS ( mm)	-	
		F(FACTOR)	-	



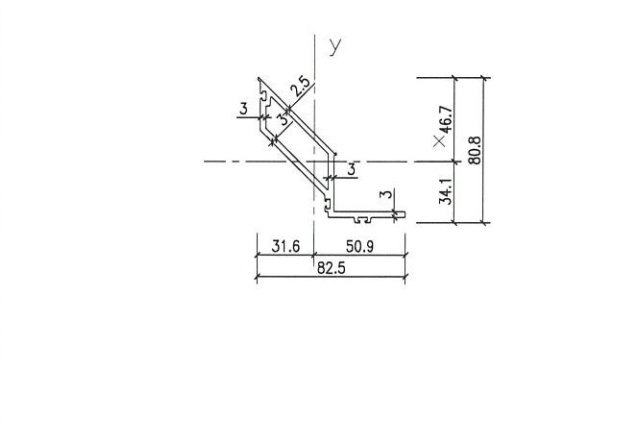
DIE SECTION	GLAZING(GA2)	SECTION MODULUS( cm <sup>2</sup> )	Zx	1.76
MATERIAL	6063-T5	Zy	2.35	
DIE NO.	-	MOMENT OF INERTIA ( cm <sup>4</sup> )	Ix	5.42
		Iy	5.86	
		CENTER OF GRAVITY ( cm)	Cx	3.08
		Cy	2.49	
		AREA ( mm <sup>2</sup> )	326.23	
		OS.PERIMETER ( mm)	219.57	
		WEIGHT ( kg/m)	0.88	
		CIR.SIZE ( mm)	67.8	
		AV.THICKNESS ( mm)	-	
		F(FACTOR)	-	



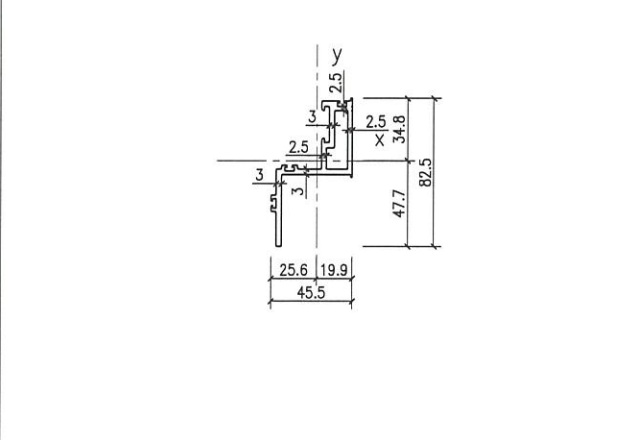
DIE SECTION	GLAZING(GA1)	SECTION MODULUS( cm <sup>2</sup> )	Zx	1.59
MATERIAL	6063-T5	Zy	2.46	
DIE NO.	-	MOMENT OF INERTIA ( cm <sup>4</sup> )	Ix	4.58
		Iy	7.75	
		CENTER OF GRAVITY ( cm)	Cx	2.88
		Cy	3.15	
		AREA ( mm <sup>2</sup> )	375.10	
		OS.PERIMETER ( mm)	258.10	
		WEIGHT ( kg/m)	1.016	
		CIR.SIZE ( mm)	63.5	
		AV.THICKNESS ( mm)	-	
		F(FACTOR)	-	



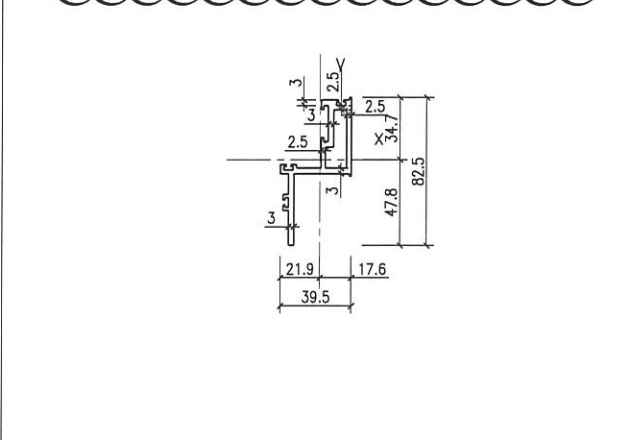
DIE SECTION	SASH(S4)	SECTION MODULUS( cm <sup>2</sup> )	Zx	6.65
MATERIAL	6063-T6	Zy	4.09	
DIE NO.	-	MOMENT OF INERTIA ( cm <sup>4</sup> )	Ix	29.77
		Iy	9.68	
		CENTER OF GRAVITY ( cm)	Cx	4.48
		Cy	2.37	
		AREA ( mm <sup>2</sup> )	574.87	
		OS.PERIMETER ( mm)	413.38	
		WEIGHT ( kg/m)	1.56	
		CIR.SIZE ( mm)	97.6	
		AV.THICKNESS ( mm)	-	
		F(FACTOR)	-	



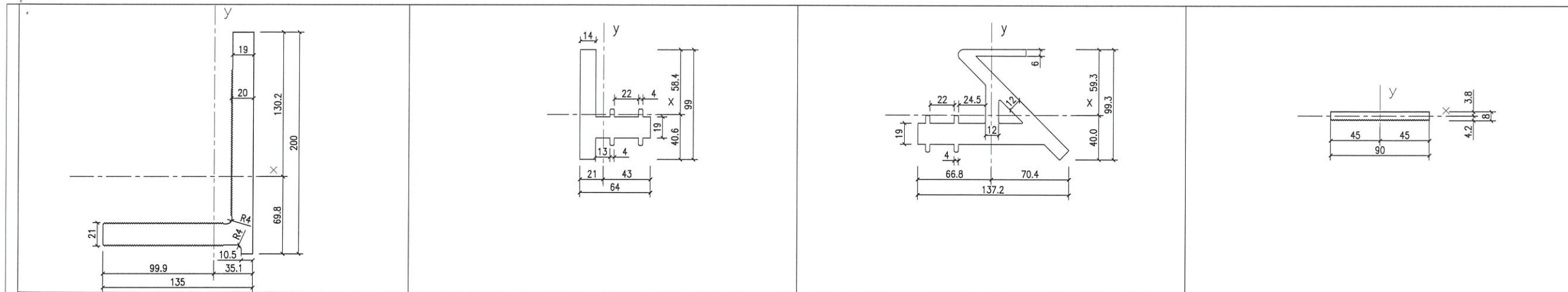
DIE SECTION	SASH(S3)	SECTION MODULUS( cm <sup>2</sup> )	Zx	7.26
MATERIAL	6063-T5	Zy	5.44	
DIE NO.	-	MOMENT OF INERTIA ( cm <sup>4</sup> )	Ix	33.89
		Iy	27.69	
		CENTER OF GRAVITY ( cm)	Cx	4.67
		Cy	5.09	
		AREA ( mm <sup>2</sup> )	615.23	
		OS.PERIMETER ( mm)	444.35	
		WEIGHT ( kg/m)	1.67	
		CIR.SIZE ( mm)	119.1	
		AV.THICKNESS ( mm)	-	
		F(FACTOR)	-	



DIE SECTION	SASH(S2)	SECTION MODULUS( cm <sup>2</sup> )	Zx	4.87
MATERIAL	6063-T5	Zy	5.04	
DIE NO.	-	MOMENT OF INERTIA ( cm <sup>4</sup> )	Ix	23.27
		Iy	12.91	
		CENTER OF GRAVITY ( cm)	Cx	4.78
		Cy	2.56	
		AREA ( mm <sup>2</sup> )	532.04	
		OS.PERIMETER ( mm)	393.54	
		WEIGHT ( kg/m)	1.44	
		CIR.SIZE ( mm)	105.4	
		AV.THICKNESS ( mm)	-	
		F(FACTOR)	-	



DIE SECTION	SASH(S1)	SECTION MODULUS( cm <sup>2</sup> )	Zx	4.86
MATERIAL	6063-T5	Zy	3.95	
DIE NO.	-	MOMENT OF INERTIA ( cm <sup>4</sup> )	Ix	23.23
		Iy	8.66	
		CENTER OF GRAVITY ( cm)	Cx	4.78
		Cy	2.19	
		AREA ( mm <sup>2</sup> )	523.04	
		OS.PERIMETER ( mm)	387.54	
		WEIGHT ( kg/m)	1.42	
		CIR.SIZE ( mm)	101.7	
		AV.THICKNESS ( mm)	-	
		F(FACTOR)	-	

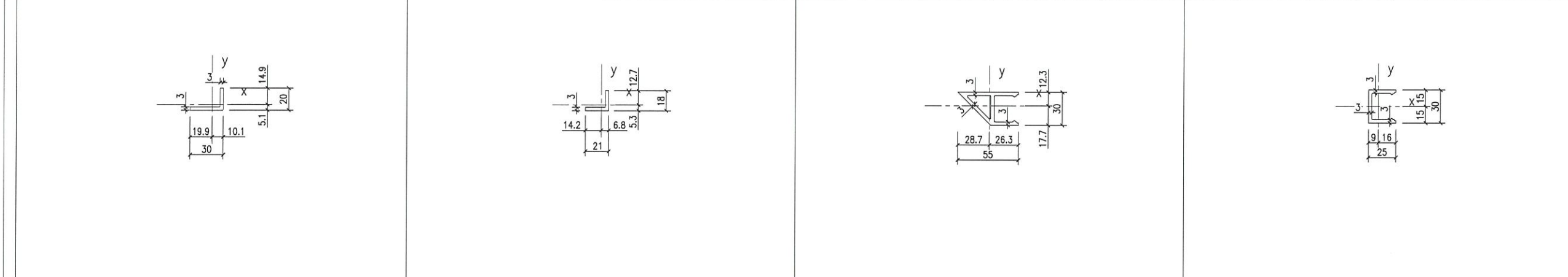


DIE SECTION	BRACKET (B1)	SECTION MODULUS (cm <sup>4</sup> )	Zx	Zy	MATERIAL	6061-T6	MOMENT OF INERTIA (cm <sup>4</sup> )	Ix	Iy	DIE NO.	-	CENTER OF GRAVITY (cm)	Cx	Cy	AREA (mm <sup>2</sup> )	OS.PERIMETER (mm)	WEIGHT (kg/m)	CIR.SIZE (mm)	AV.THICKNESS (mm)	F(FACTOR)
			172.14	92.76				2241.39	926.36				13.02	9.99	6116.9	810.7	16.58	269.7	-	-

DIE SECTION	BRACKET (B2)	SECTION MODULUS (cm <sup>4</sup> )	Zx	Zy	MATERIAL	6061-T6	MOMENT OF INERTIA (cm <sup>4</sup> )	Ix	Iy	DIE NO.	-	CENTER OF GRAVITY (cm)	Cx	Cy	AREA (mm <sup>2</sup> )	OS.PERIMETER (mm)	WEIGHT (kg/m)	CIR.SIZE (mm)	AV.THICKNESS (mm)	F(FACTOR)
			24.53	20.18				143.2	86.74				5.84	4.30	2446.28	378.57	6.63	142.1	-	-

DIE SECTION	BRACKET (B4)	SECTION MODULUS (cm <sup>4</sup> )	Zx	Zy	MATERIAL	6061-T6	MOMENT OF INERTIA (cm <sup>4</sup> )	Ix	Iy	DIE NO.	-	CENTER OF GRAVITY (cm)	Cx	Cy	AREA (mm <sup>2</sup> )	OS.PERIMETER (mm)	WEIGHT (kg/m)	CIR.SIZE (mm)	AV.THICKNESS (mm)	F(FACTOR)
			50.67	61.81				300.27	435.29				5.93	7.04	4329.89	658.99	11.73	154.5	-	-

DIE SECTION	BRACKET (B8)	SECTION MODULUS (cm <sup>4</sup> )	Zx	Zy	MATERIAL	6061-T6	MOMENT OF INERTIA (cm <sup>4</sup> )	Ix	Iy	DIE NO.	-	CENTER OF GRAVITY (cm)	Cx	Cy	AREA (mm <sup>2</sup> )	OS.PERIMETER (mm)	WEIGHT (kg/m)	CIR.SIZE (mm)	AV.THICKNESS (mm)	F(FACTOR)
			0.75	10.12				0.32	45.56				0.43	4.5	675	232	1.83	90.3	-	-

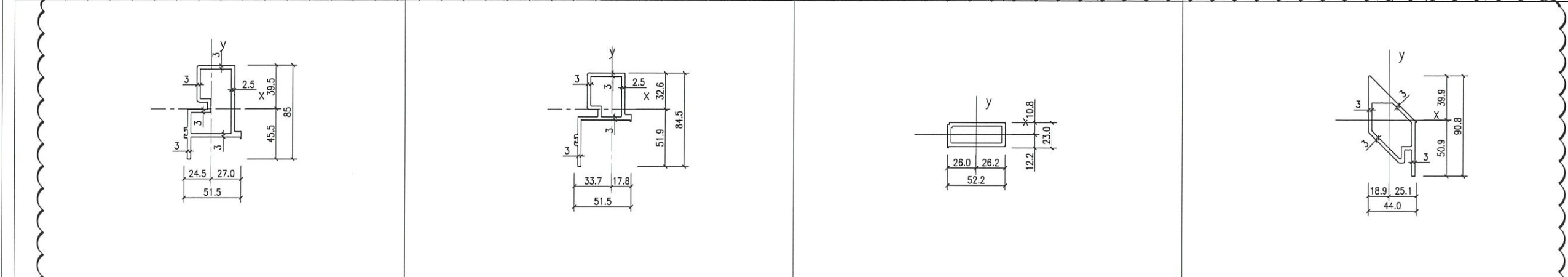


DIE SECTION	BRACKET (B11)	SECTION MODULUS (cm <sup>4</sup> )	Zx	Zy	MATERIAL	6063-T6	MOMENT OF INERTIA (cm <sup>4</sup> )	Ix	Iy	DIE NO.	-	CENTER OF GRAVITY (cm)	Cx	Cy	AREA (mm <sup>2</sup> )	OS.PERIMETER (mm)	WEIGHT (kg/m)	CIR.SIZE (mm)	AV.THICKNESS (mm)	F(FACTOR)
			0.31	0.64				0.45	1.27				1.45	1.98	14.1	99.7	0.38	41.1	-	-

DIE SECTION	BRACKET (B12)	SECTION MODULUS (cm <sup>4</sup> )	Zx	Zy	MATERIAL	6063-T6	MOMENT OF INERTIA (cm <sup>4</sup> )	Ix	Iy	DIE NO.	-	CENTER OF GRAVITY (cm)	Cx	Cy	AREA (mm <sup>2</sup> )	OS.PERIMETER (mm)	WEIGHT (kg/m)	CIR.SIZE (mm)	AV.THICKNESS (mm)	F(FACTOR)
			0.236	0.314				0.302	0.447				1.28	1.42	108.0	77.7	0.29	30.4	-	-

DIE SECTION	ATTACHMENT (A1)	SECTION MODULUS (cm <sup>4</sup> )	Zx	Zy	MATERIAL	6063-T5	MOMENT OF INERTIA (cm <sup>4</sup> )	Ix	Iy	DIE NO.	-	CENTER OF GRAVITY (cm)	Cx	Cy	AREA (mm <sup>2</sup> )	OS.PERIMETER (mm)	WEIGHT (kg/m)	CIR.SIZE (mm)	AV.THICKNESS (mm)	F(FACTOR)
			2.82	2.69				4.98	7.73				1.77	2.87	418.52	268.75	1.13	63.3	-	-

DIE SECTION	ATTACHMENT (A2)	SECTION MODULUS (cm <sup>4</sup> )	Zx	Zy	MATERIAL	6063-T5	MOMENT OF INERTIA (cm <sup>4</sup> )	Ix	Iy	DIE NO.	-	CENTER OF GRAVITY (cm)	Cx	Cy	AREA (mm <sup>2</sup> )	OS.PERIMETER (mm)	WEIGHT (kg/m)	CIR.SIZE (mm)	AV.THICKNESS (mm)	F(FACTOR)
			2.08	0.87				3.12	1.39				1.50	1.60	224.78	154.00	0.61	43.8	-	-



DIE SECTION	ATTACHMENT (A3)	SECTION MODULUS (cm <sup>4</sup> )	Zx	Zy	MATERIAL	6063-T6	MOMENT OF INERTIA (cm <sup>4</sup> )	Ix	Iy	DIE NO.	-	CENTER OF GRAVITY (cm)	Cx	Cy	AREA (mm <sup>2</sup> )	OS.PERIMETER (mm)	WEIGHT (kg/m)	CIR.SIZE (mm)	AV.THICKNESS (mm)	F(FACTOR)
			9.56	7.15				43.52	19.33				4.55	2.70	767.28	508.09	2.08	100.5	-	-

DIE SECTION	ATTACHMENT (A4)	SECTION MODULUS (cm <sup>4</sup> )	Zx	Zy	MATERIAL	6063-T5	MOMENT OF INERTIA (cm <sup>4</sup> )	Ix	Iy	DIE NO.	-	CENTER OF GRAVITY (cm)	Cx	Cy	AREA (mm <sup>2</sup> )	OS.PERIMETER (mm)	WEIGHT (kg/m)	CIR.SIZE (mm)	AV.THICKNESS (mm)	F(FACTOR)
			6.02	5.72				31.23	16.16				5.19	2.83	647.28	428.34	1.75	111.2	-	-

DIE SECTION	ATTACHMENT (A6)	SECTION MODULUS (cm <sup>4</sup> )	Zx	Zy	MATERIAL	6063-T5	MOMENT OF INERTIA (cm <sup>4</sup> )	Ix	Iy	DIE NO.	-	CENTER OF GRAVITY (cm)	Cx	Cy	AREA (mm <sup>2</sup> )	OS.PERIMETER (mm)	WEIGHT (kg/m)	CIR.SIZE (mm)	AV.THICKNESS (mm)	F(FACTOR)
			2.38	4.89				2.9	12.81				1.22	2.62	407.72	271.43	1.10	57.3	-	-

DIE SECTION	ATTACHMENT (A9)	SECTION MODULUS (cm <sup>4</sup> )	Zx	Zy	MATERIAL	6063-T5	MOMENT OF INERTIA (cm <sup>4</sup> )	Ix	Iy	DIE NO.	-	CENTER OF GRAVITY (cm)	Cx	Cy	AREA (mm <sup>2</sup> )	OS.PERIMETER (mm)	WEIGHT (kg/m)	CIR.SIZE (mm)	AV.THICKNESS (mm)	F(FACTOR)
			9.51	7.25				48.37	18.16				5.09	2.50	817.52	398.41	2.22	111.9	-	-

B.D. REF :

CLIENT :  
 信和置業有限公司  
 Sino Land Company Limited

ARCHITECT :  
 Ronald Lu & Partners  
 Architects, Planners, Interior Designers  
 Ronald Lu & Partners (HK) Ltd.  
 呂元祥建築師事務所 (香港) 有限公司

MAIN CONTRACTOR :  
 Gammon

STRUCTURAL ENGINEER :  
 AECOM

FAÇADE CONSULTANT:  
 AECOM

NOTE :  
 1. ALL DIMENSIONS ARE IN mm.  
 2. ALL ELEVATIONS ARE VIEWED FROM OUTSIDE.  
 3. ALL DIMENSIONS TO BE VERIFIED ON SITE BEFORE FABRICATION.

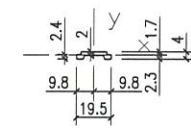
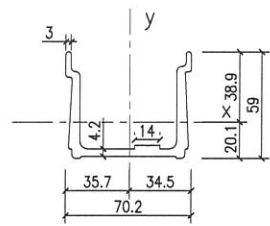
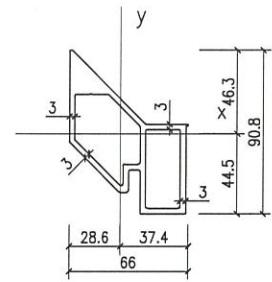
LEGEND :  
 X1 --- DETAIL MARK NO.  
 X001 --- REFER SHEET NO.  
 1. F.F.L. --- FINISHED FLOOR LEVEL  
 2. S.F.L. --- STRUCTURAL FLOOR LEVEL  
 3. (R) --- REVERSED DETAIL

NO.	DATE	REVISION	BY
A	23/06/22	GENERAL REVISED	LS

JOB NO. : J-858  
 PROJECT : PROPOSED RESIDENTIAL DEVELOPMENT AT TKOTL 70RP, PHASE 11, LOHAS PARK TSEUNG KWAN O, N.T.

TITLE : MATERIAL LIST FOR CURTAIN WALL

DATE : 28-04-22 SCALE : 1:2(A1)  
 DRAWN BY : CHECKED BY :  
 美特鋁質有限公司  
 MIDI ALUMINUM FABRICATOR LTD.  
 Units 6-8, Sunray Industrial Centre, 1/F  
 610 Cha Kwo Ling Road, Kowloon  
 Tel:23489211-4 Fax:(852)27727666  
 DWG NO. : J858-PT-DL03 REV. : A



DIE SECTION	ATTACHMENT (A10)	SECTION MODULUS( cm <sup>3</sup> )	Zx	15.38
MATERIAL	6063-T5	MOMENT OF INERTIA ( cm <sup>4</sup> )	Zy	13.42
DIE NO.	-		Ix	71.21
			Iy	40.08
		CENTER OF GRAVITY ( cm)	Cx	4.63
			Cy	2.99
		AREA ( mm <sup>2</sup> )		1083.01
		OS.PERIMETER ( mm)		567.11
		WEIGHT ( kg/m)		2.93
		CIR.SIZE ( mm)		114.2
		AV.THICKNESS ( mm)		-
		F(FACTOR)		-

DIE SECTION	GUTTER SLEEVE (GS1)	SECTION MODULUS( cm <sup>3</sup> )	Zx	6.68
MATERIAL	6061-T6	MOMENT OF INERTIA ( cm <sup>4</sup> )	Zy	17.25
DIE NO.	-		Ix	25.96
			Iy	61.51
		CENTER OF GRAVITY ( cm)	Cx	3.89
			Cy	3.57
		AREA ( mm <sup>2</sup> )		861.31
		OS.PERIMETER ( mm)		360.23
		WEIGHT ( kg/m)		2.33
		CIR.SIZE ( mm)		104.3
		AV.THICKNESS ( mm)		-
		F(FACTOR)		-

DIE SECTION	SLIDE BAR	SECTION MODULUS( cm <sup>3</sup> )	Zx	0.02
MATERIAL	6063-T5	MOMENT OF INERTIA ( cm <sup>4</sup> )	Zy	0.17
DIE NO.	-		Ix	0.0056
			Iy	0.16
		CENTER OF GRAVITY ( cm)	Cx	0.28
			Cy	0.94
		AREA ( mm <sup>2</sup> )		47.9
		OS.PERIMETER ( mm)		48.8
		WEIGHT ( kg/m)		0.13
		CIR.SIZE ( mm)		19.9
		AV.THICKNESS ( mm)		-
		F(FACTOR)		-

B.D. REF :

CLIENT :  
 信和置業有限公司  
 Sino Land Company Limited

ARCHITECT :  
**ronald lu & partners**  
 Architects Planners Interior Designers  
 Ronald Lu & Partners (HK) Ltd.  
 呂元祥建築師事務所 (香港) 有限公司

MAIN CONTRACTOR :  
**Gammon**

STRUCTURAL ENGINEER :  
**AECOM**

FACADE CONSULTANT:  
**AECOM**

NOTE :  
 1. ALL DIMENSIONS ARE IN mm.  
 2. ALL ELEVATIONS ARE VIEWED FROM OUTSIDE.  
 3. ALL DIMENSIONS TO BE VERIFIED ON SITE BEFORE FABRICATION.

LEGEND :  
 X1 --- DETAIL MARK NO.  
 X001 --- REFER SHEET NO.  
 1. F.F.L. --- FINISHED FLOOR LEVEL  
 2. S.F.L. --- STRUCTURAL FLOOR LEVEL  
 3. /R --- REVERSED DETAIL

A	23/06/22	GENERAL REVISED	LS
NO.	DATE	REVISED	BY

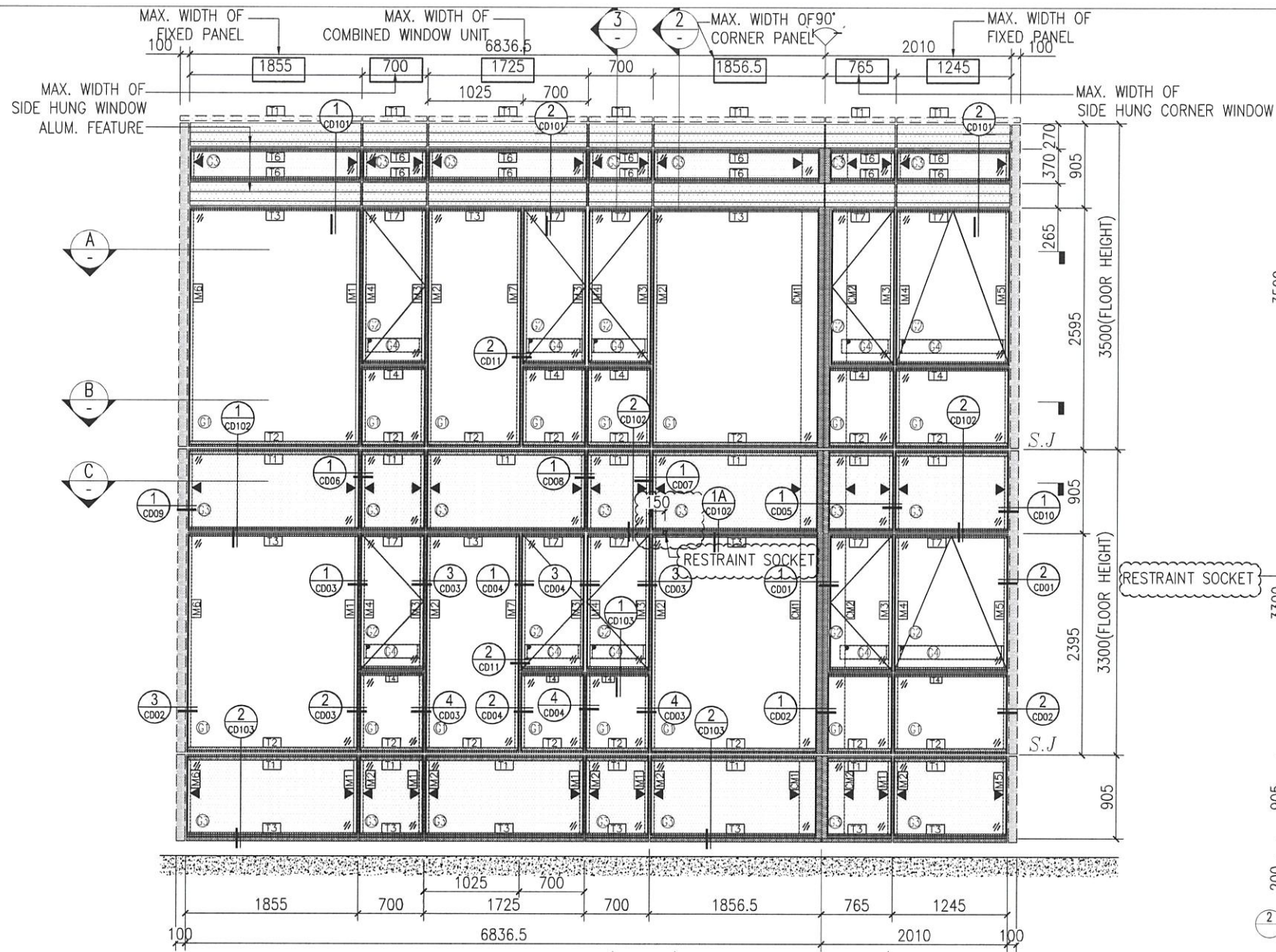
JOB NO. : J-858  
 PROJECT :  
 PROPOSED RESIDENTIAL DEVELOPMENT  
 AT TKOTL 70RP, PHASE 11, LOHAS PARK  
 TSEUNG KWAN O, N.T.

TITLE :  
 MATERIAL LIST FOR  
 CURTAIN WALL

DATE : 28-04-22 SCALE : 1:2(A1)  
 DRAWN BY : CHECKED BY :

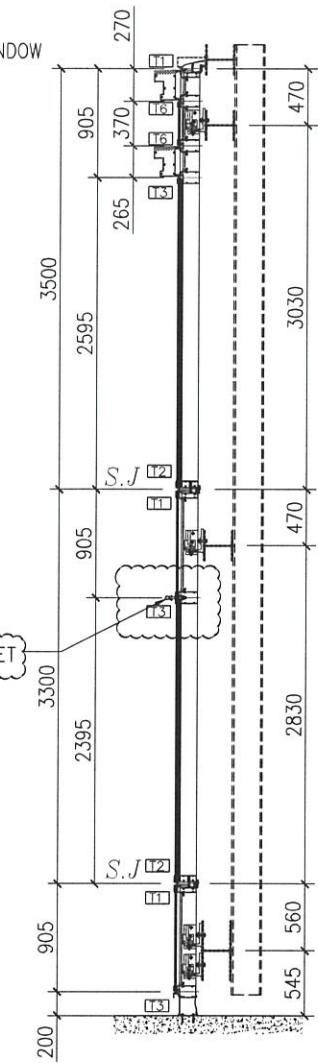
**美特鋁質有限公司**  
 MIDI ALUMINIUM FABRICATOR LTD.  
 Units 6-8, Sunray Industrial Centre, 1/F  
 610 Cha Kwo Ling Road, Kowloon  
 Tel:23489211-4 Fax:(852)2727666

DWG NO. : J858-PT-DL04 REV. : A

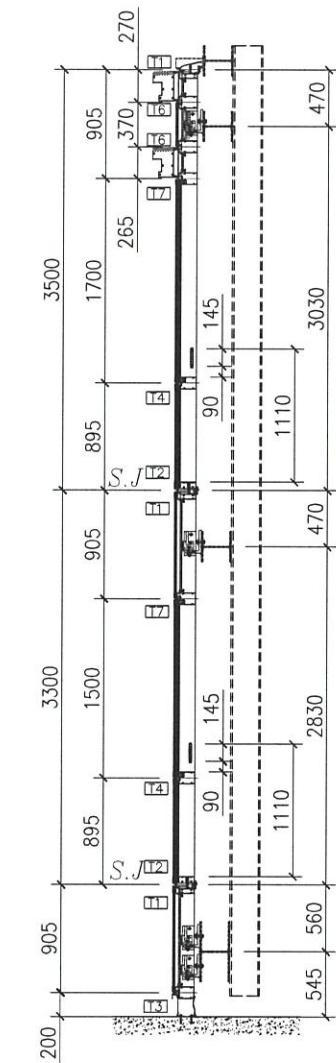


RESTRAINT SOCKET

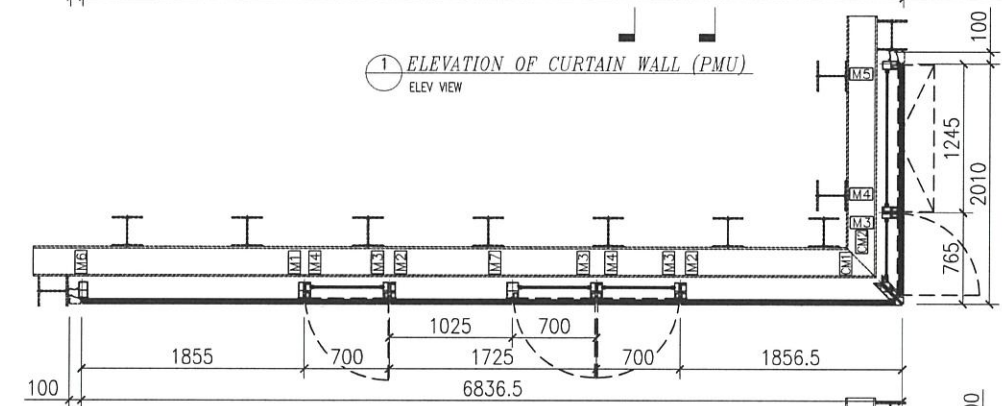
SECTION OF CURTAIN WALL (PMU)  
FIX WINDOW



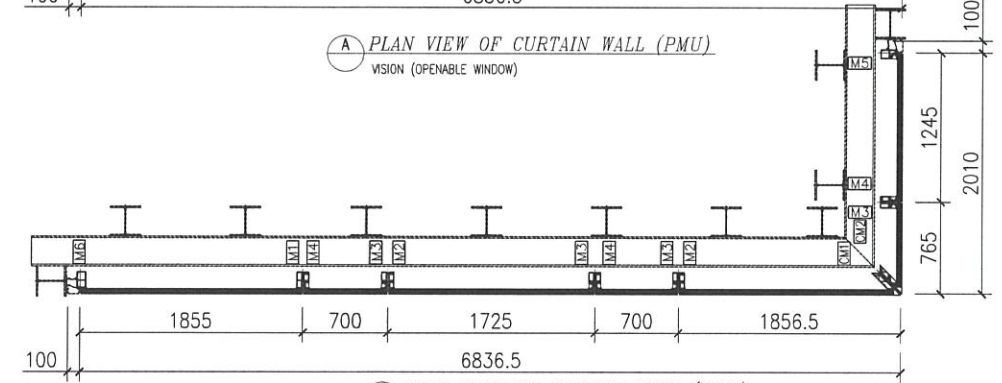
SECTION OF CURTAIN WALL (PMU)  
OPENABLE WINDOW



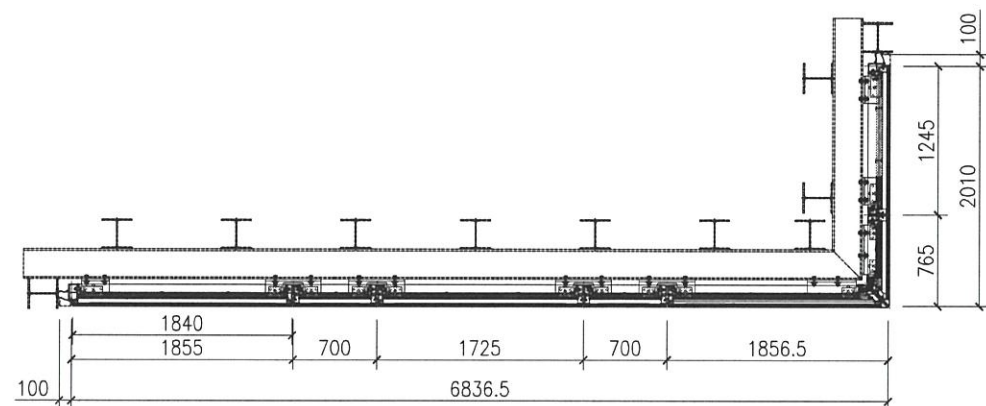
ELEVATION OF CURTAIN WALL (PMU)  
ELEV VIEW



PLAN VIEW OF CURTAIN WALL (PMU)  
VISION (OPENABLE WINDOW)



PLAN VIEW OF CURTAIN WALL (PMU)  
VISION (FIX WINDOW)



PLAN VIEW OF CURTAIN WALL (PMU)  
SPANDREL

- LEGEND:
- (G) 10mm THK. HEAT STRENGTHENED GLASS (OUTSIDE) +12mm AIR SPACE + 12mm THK. TEMPERED GLASS
  - (G) 10mm THK. HEAT STRENGTHENED GLASS (OUTSIDE) +12mm AIR SPACE + 10mm THK. TEMPERED GLASS
  - (G) 12mm THK. HEAT STRENGTHENED GLASS
  - (G) 12mm THK. CLEAR TEMPERED GLASS ( INTERNAL PROTECTIVE BARRIER )
  - (G) 3 mm THK. ALUM. CLADDING
  - (G) 3 mm THK. ALUM. BACKPAN
  - S.J. STACK JOINT
  - ▲ WIND LOAD + DEAD LOAD BRACKET

B.D. REF :

CLIENT :  
信和置業有限公司  
Sino Land Company Limited

ARCHITECT :  
ronald lu & partners  
Architects, Planners, Interior Designers  
Ronald Lu & Partners (HK) Ltd.  
呂元祥建築師事務所 (香港) 有限公司

MAIN CONTRACTOR :  
Gammon

STRUCTURAL ENGINEER :  
AECOM

FACADE CONSULTANT:  
AECOM

NOTE :  
1. ALL DIMENSIONS ARE IN mm.  
2. ALL ELEVATIONS ARE VIEWED FROM OUTSIDE.  
3. ALL DIMENSIONS TO BE VERIFIED ON SITE BEFORE FABRICATION.

LEGEND :  
(X1) DETAIL MARK NO.  
(X001) REFER SHEET NO.  
1. F.F.L. -- FINISHED FLOOR LEVEL  
2. S.F.L. -- STRUCTURAL FLOOR LEVEL  
3. (R) -- REVERSED DETAIL

B	17/08/22	GENERAL REVISED	LUO
A	23/06/22	GENERAL REVISED	LUO
NO.	DATE	REVISED	BY

JOB NO. : J-858  
PROJECT :  
PROPOSED RESIDENTIAL DEVELOPMENT  
AT KOTL 70RP, PHASE 11, LOHAS PARK  
TSEUNG KWAN O, N.T.

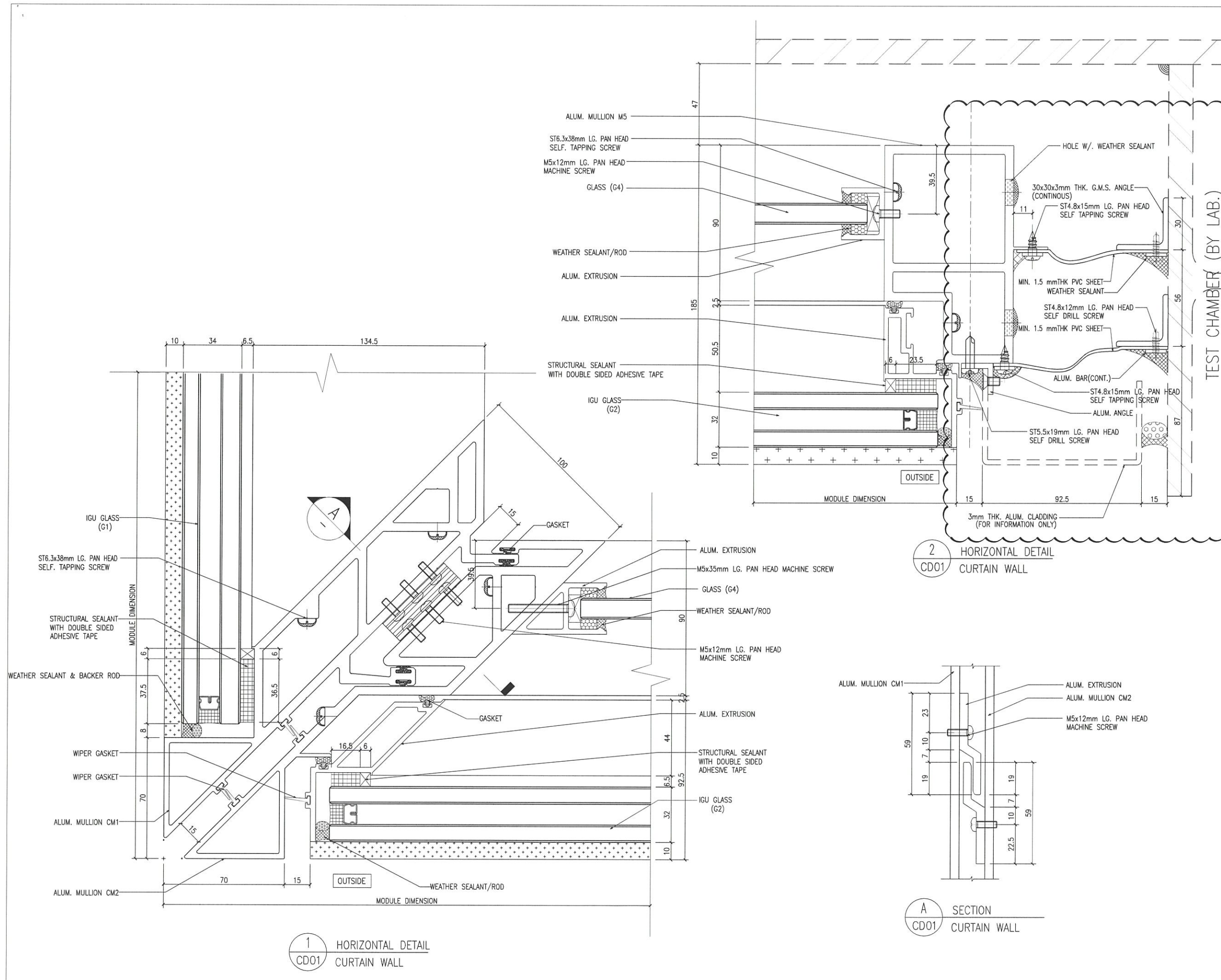
TITLE :  
PARTIAL ELEVATION, SECTION AND PLAN  
OF CURTAIN WALL PERFORMANCE TEST

DATE : 28-04-22 SCALE : 1:60(A3)

DRAWN BY : CHECKED BY :

美特鋁質有限公司  
MIDI ALUMINIUM FABRICATOR LTD.  
Units 6-8, Sunray Industrial Centre, 1/F  
610 Cha Kwo Ling Road, Kowloon  
Tel:23489211-4 Fax:(852)27727666

DWG NO. : J858-PT-PE101 REV. : B



B.D. REF :

CLIENT : 信和置業有限公司 Sino Land Company Limited

ARCHITECT : ronald lu & partners Architects, Planners, Interior Designers Ronald Lu & Partners (HK) Ltd. 呂元祥建築師事務所 (香港) 有限公司

MAIN CONTRACTOR : Gammon

STRUCTURAL ENGINEER : AECOM

FAÇADE CONSULTANT: AECOM

NOTE :

1. ALL DIMENSIONS ARE IN mm.
2. ALL ELEVATIONS ARE VIEWED FROM OUTSIDE.
3. ALL DIMENSIONS TO BE VERIFIED ON SITE BEFORE FABRICATION.

LEGEND :

x1 --- DETAIL MARK NO.  
 xcd01 --- REFER SHEET NO.

1. F.F.L. --- FINISHED FLOOR LEVEL  
 2. S.F.L. --- STRUCTURAL FLOOR LEVEL  
 3. (R) --- REVERSED DETAIL

A	23/06/22	GENERAL REVISED	LS
NO.	DATE	REVISED BY	BY

JOB NO. : J-858

PROJECT : PROPOSED RESIDENTIAL DEVELOPMENT AT TKOTL 70RP, PHASE 11, LOHAS PARK TSEUNG KWAN O, N.T.

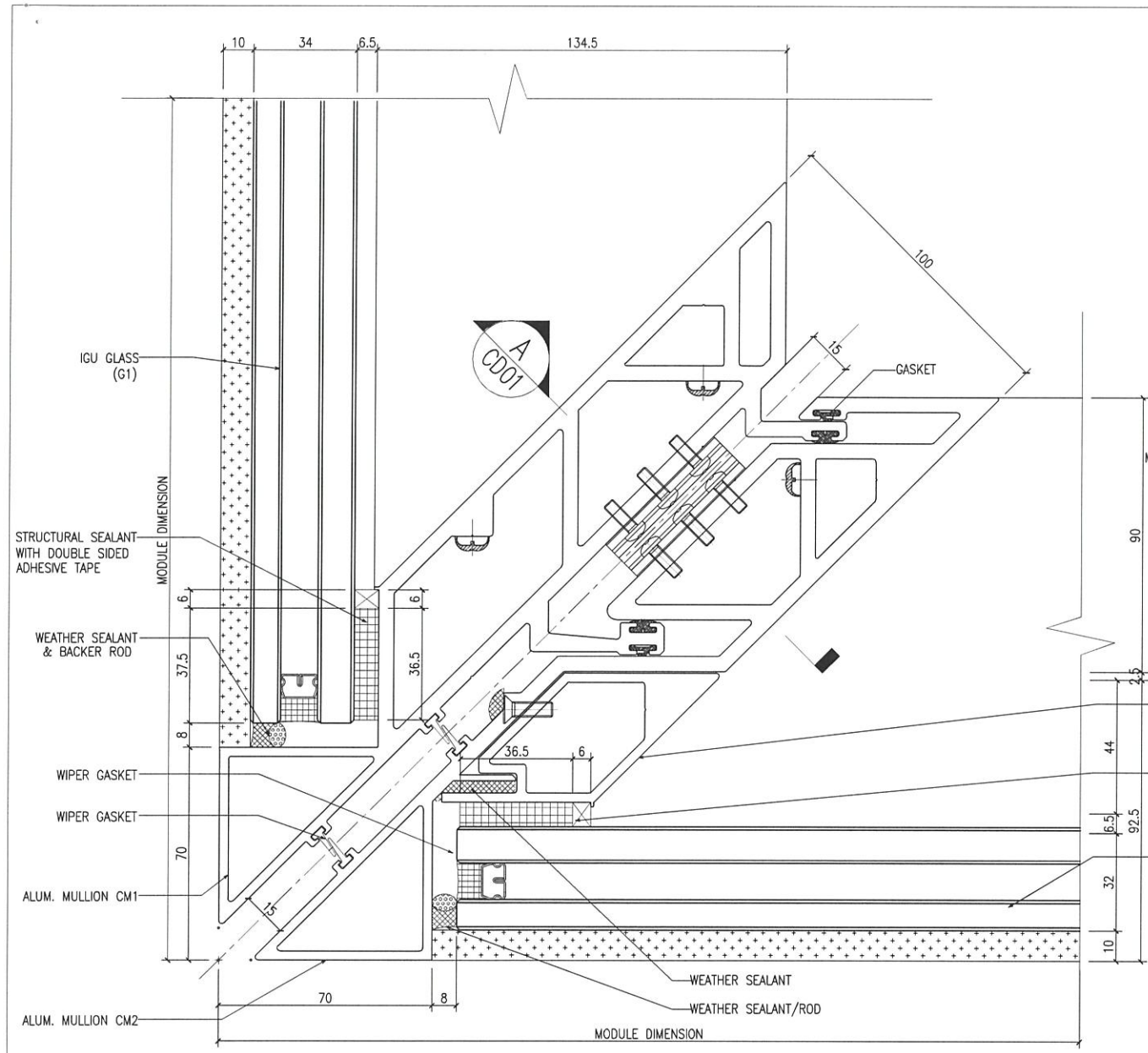
TITLE : DETAILS OF CURTAIN WALL PERFORMANCE TEST

DATE : 28-04-22 SCALE : 1:2(A3)

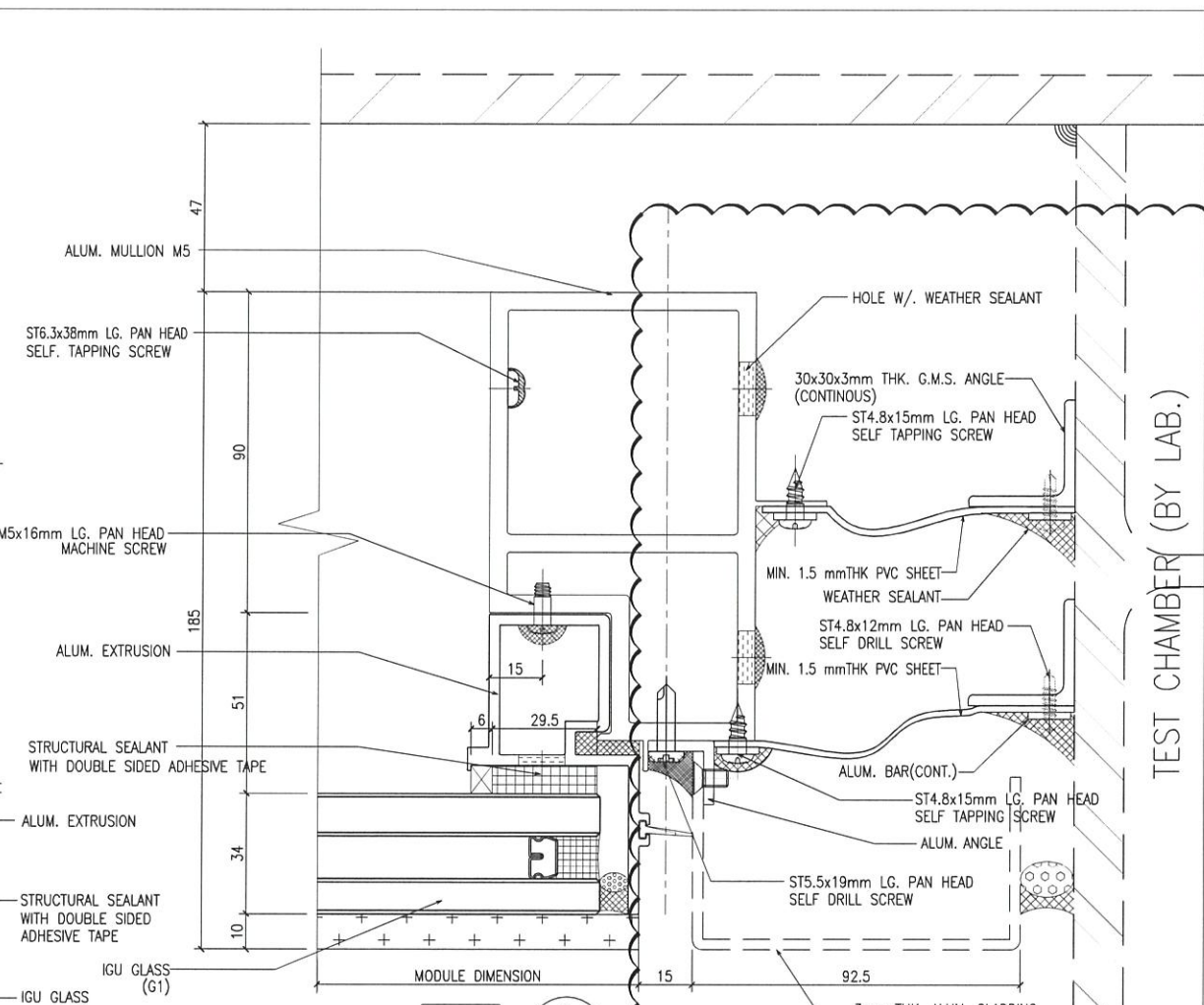
DRAWN BY : CHECKED BY :

美特鋁質有限公司  
 MIDI ALUMINUM FABRICATOR LTD.  
 Units 6-8, Sunray Industrial Centre, 1/F  
 610 Cha Kwo Ling Road, Kowloon  
 Tel:23489211-4 Fax:(852)27727666

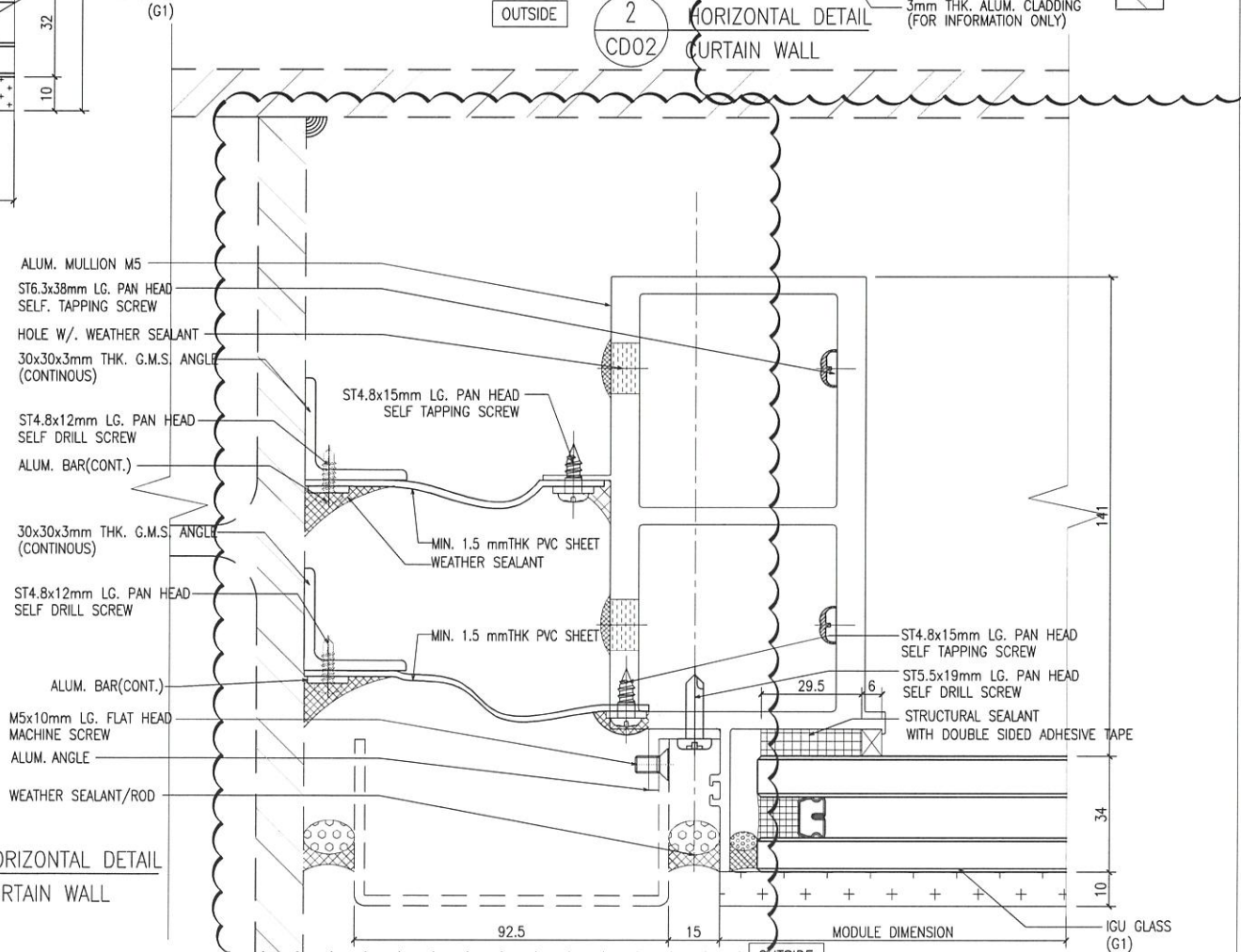
DWG NO. : J858-PT-CD01 REV. : A



1 HORIZONTAL DETAIL  
CD02 CURTAIN WALL



2 HORIZONTAL DETAIL  
CD02 CURTAIN WALL



3 HORIZONTAL DETAIL  
CD02 CURTAIN WALL

TEST CHAMBER (BY LAB.)

B.D. REF :

CLIENT :  
信和置業有限公司  
Sino Land Company Limited

ARCHITECT :  
ronald lu & partners  
Architects, Planners, Interior Designers  
Ronald Lu & Partners (HK) Ltd.  
呂元祥建築師事務所(香港)有限公司

MAIN CONTRACTOR :  
Gammon

STRUCTURAL ENGINEER :  
AECOM

FAÇADE CONSULTANT :  
AECOM

NOTE :  
1. ALL DIMENSIONS ARE IN mm.  
2. ALL ELEVATIONS ARE VIEWED FROM OUTSIDE.  
3. ALL DIMENSIONS TO BE VERIFIED ON SITE BEFORE FABRICATION.

LEGEND :  
x1 -- DETAIL MARK NO.  
x001 -- REFER SHEET NO.  
1. F.F.L. -- FINISHED FLOOR LEVEL  
2. S.F.L. -- STRUCTURAL FLOOR LEVEL  
3. /R -- REVERSED DETAIL

A	23/06/22	GENERAL REVISED	LS
NO.	DATE	REVISED	BY

JOB NO. : J-858  
PROJECT : PROPOSED RESIDENTIAL DEVELOPMENT AT TKOTL 70RP, PHASE 11, LOHAS PARK TSEUNG KWAN O, N.T.

TITLE : DETAILS OF CURTAIN WALL PERFORMANCE TEST

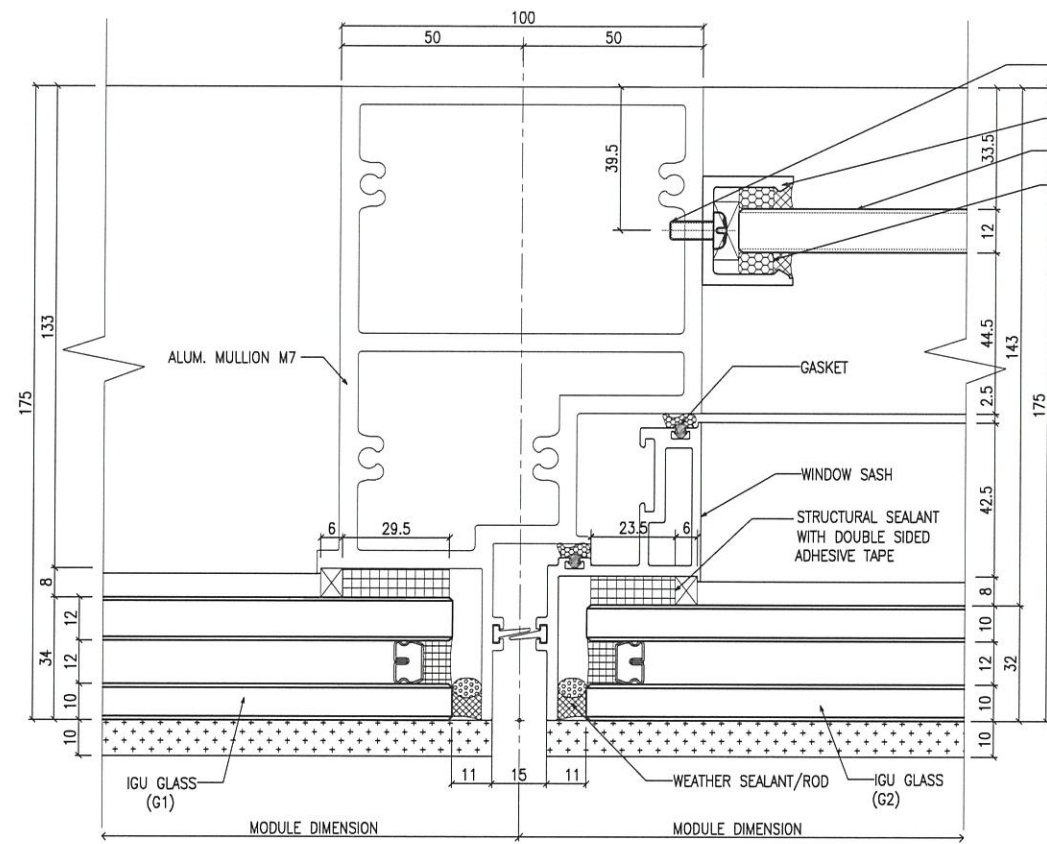
DATE : 28-04-22 SCALE : 1:2(A3)

DRAWN BY : CHECKED BY :

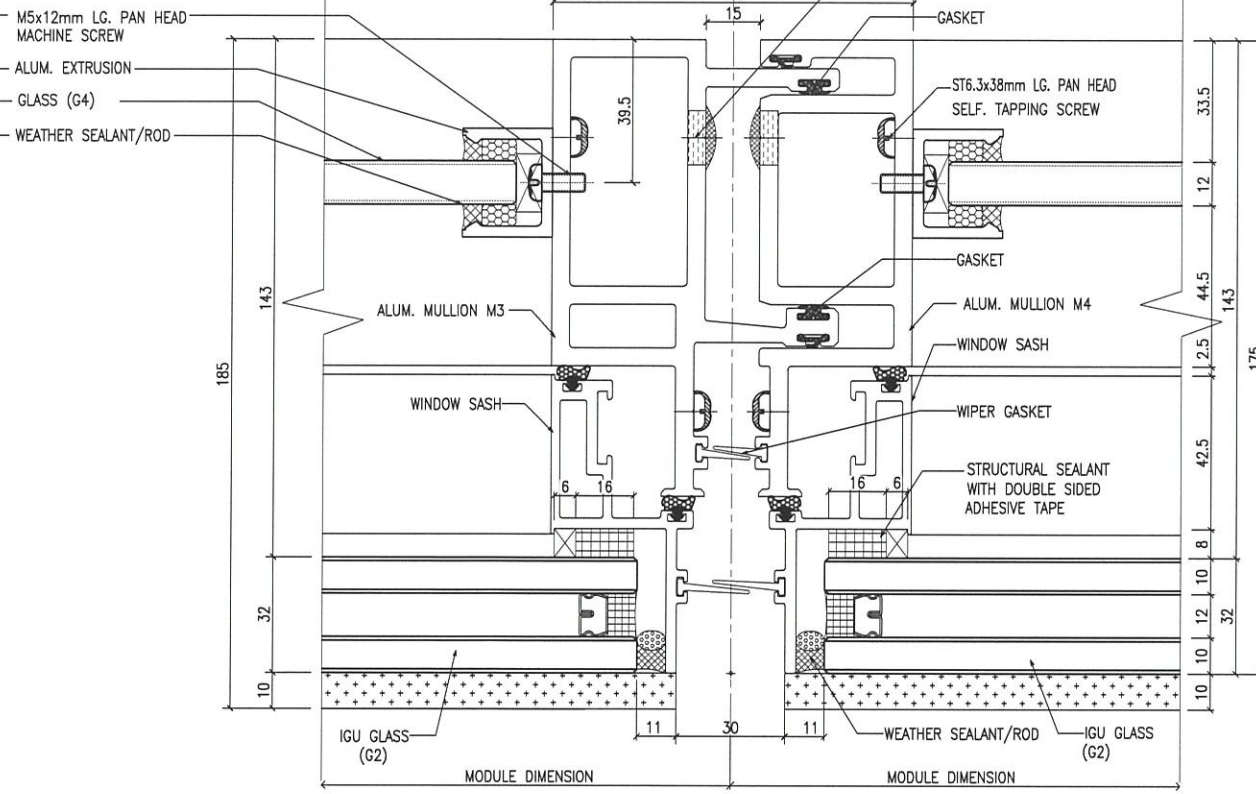
美特鋁質有限公司  
MIDI ALUMINUM FABRICATOR LTD.  
Units 6-8, Sunray Industrial Centre, 1/F  
610 Cha Kwo Ling Road, Kowloon  
Tel:23489211-4 Fax:(852)27727666

DWG NO. : J858-PT-CD02 REV. : A

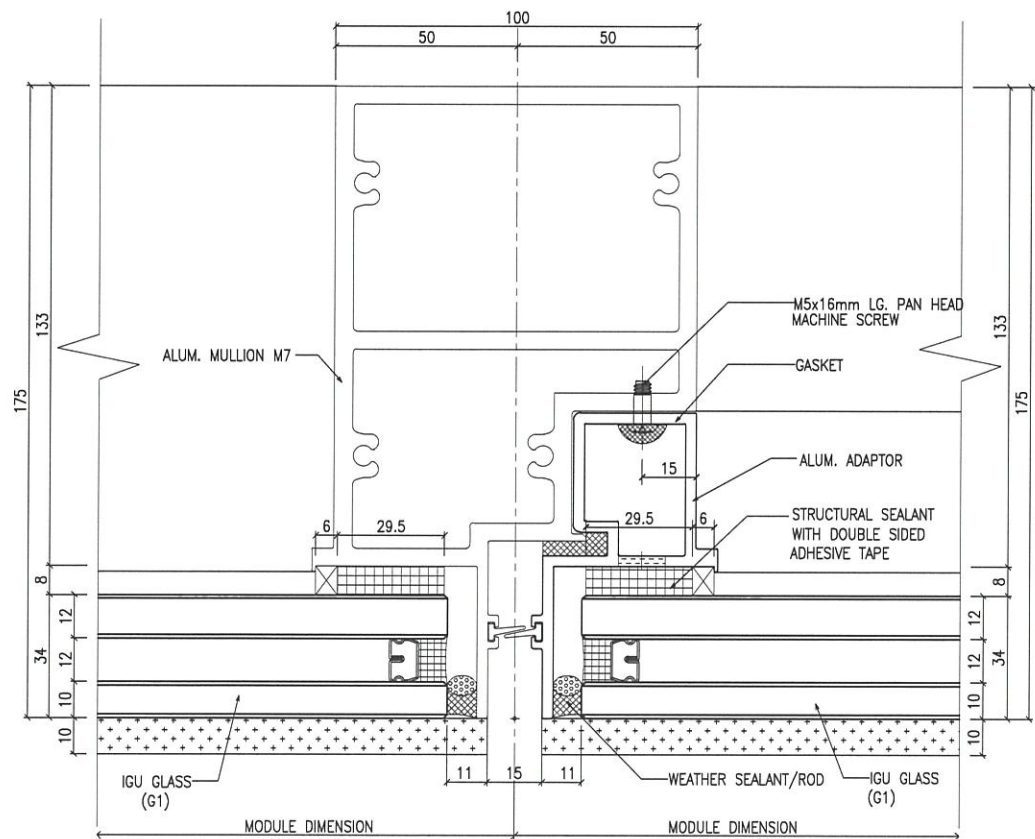




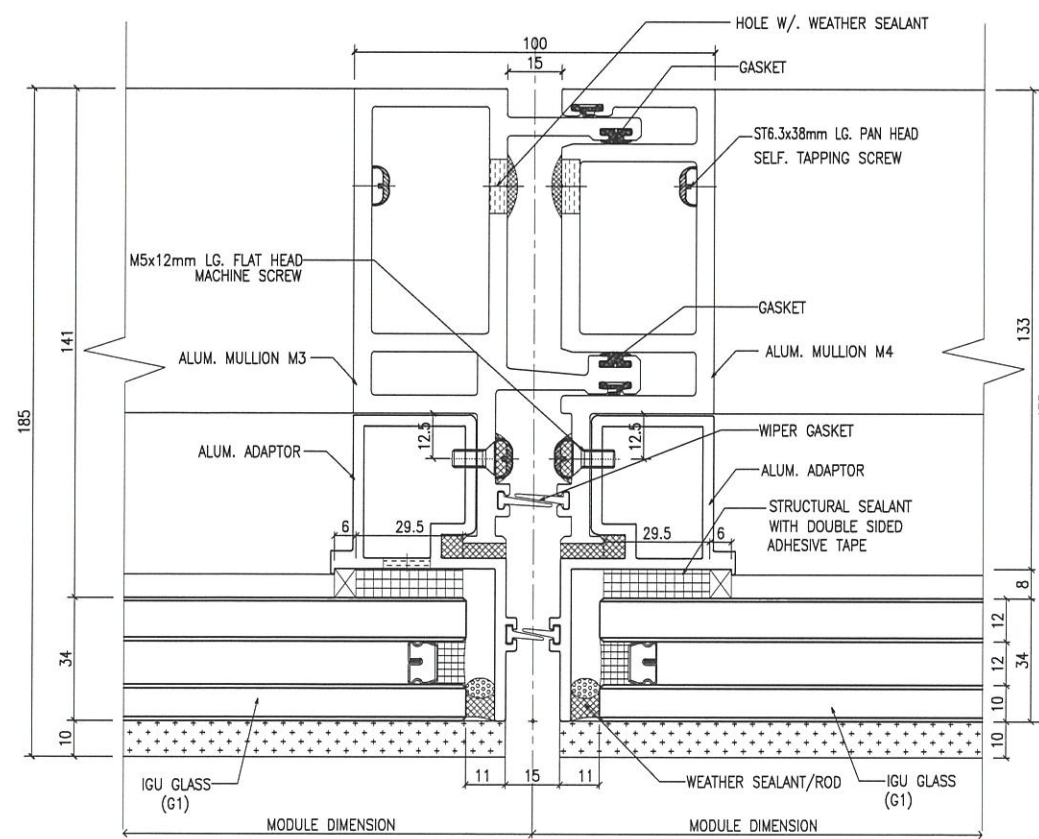
OUTSIDE  
1 HORIZONTAL DETAIL  
CD04 CURTAIN WALL



OUTSIDE  
3 HORIZONTAL DETAIL  
CD04 CURTAIN WALL



OUTSIDE  
2 HORIZONTAL DETAIL  
CD04 CURTAIN WALL



OUTSIDE  
4 HORIZONTAL DETAIL  
CD04 CURTAIN WALL

B.D. REF :

CLIENT :

信和置業有限公司  
Sino Land Company Limited

ARCHITECT :

ronald lu & partners  
Architects, Planners, Interior Designers  
Ronald Lu & Partners (HK) Ltd.  
呂元祥建築師事務所(香港)有限公司

MAIN CONTRACTOR :

Gammon

STRUCTURAL ENGINEER :

AECOM

FAÇADE CONSULTANT :

AECOM

NOTE :

1. ALL DIMENSIONS ARE IN mm.
2. ALL ELEVATIONS ARE VIEWED FROM OUTSIDE.
3. ALL DIMENSIONS TO BE VERIFIED ON SITE BEFORE FABRICATION.

LEGEND :

- X1 --- DETAIL MARK NO.
- X001 --- REFER SHEET NO.

1. F.F.L. --- FINISHED FLOOR LEVEL
2. S.F.L. --- STRUCTURAL FLOOR LEVEL
3. (R) --- REVERSED DETAIL

A	23/06/22	GENERAL REVISED	LS
NO.	DATE	REVISED	BY

JOB NO. : J-858

PROJECT : PROPOSED RESIDENTIAL DEVELOPMENT  
AT TKOTL 70RP, PHASE 11, LOHAS PARK  
TSEUNG KWAN O, N.T.

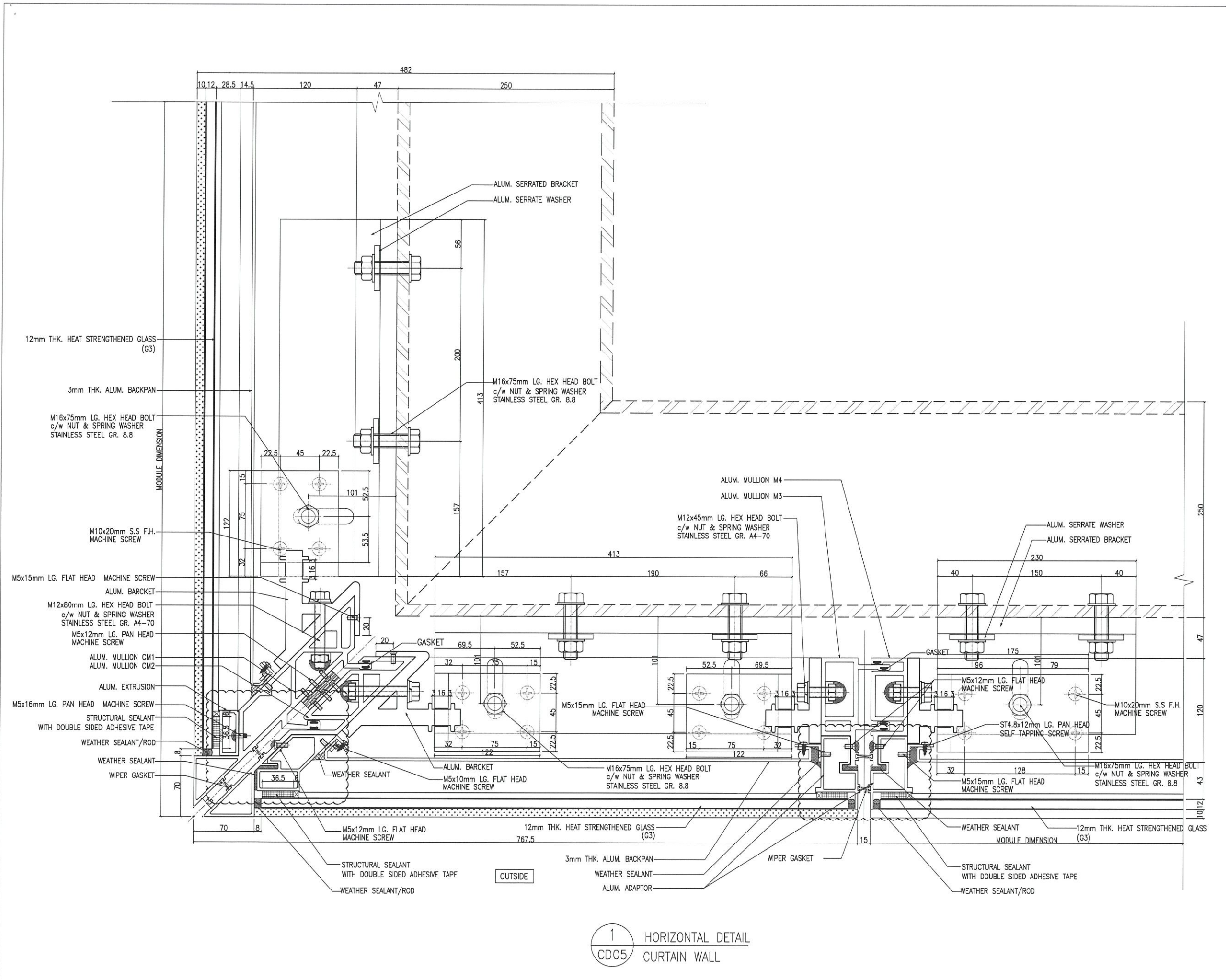
TITLE : DETAILS OF  
CURTAIN WALL PERFORMANCE TEST

DATE : 28-04-22 SCALE : 1:2(A3)

DRAWN BY : CHECKED BY :

美特鋁質有限公司  
MIDI ALUMINIUM FABRICATOR LTD.  
Units 6-8, Sunray Industrial Centre, 1/F  
610 Cha Kwo Ling Road, Kowloon  
Tel:23489211-4 Fax:(852)2772666

DWG NO. : J858-PT-CD04 REV. : A



1 HORIZONTAL DETAIL  
CD05 CURTAIN WALL

B.D. REF :  
 CLIENT :  
 ARCHITECT :  
 MAIN CONTRACTOR :

信和置業有限公司  
Sino Land Company Limited

ronald lu & partners  
Ronald Lu & Partners (HK) Ltd.  
呂元祥建築師事務所 (香港) 有限公司

Gammon

STRUCTURAL ENGINEER :  
AECOM

FACADE CONSULTANT:  
AECOM

NOTE :  
 1. ALL DIMENSIONS ARE IN mm.  
 2. ALL ELEVATIONS ARE VIEWED FROM OUTSIDE.  
 3. ALL DIMENSIONS TO BE VERIFIED ON SITE BEFORE FABRICATION.

LEGEND :  
 X1 --- DETAIL MARK NO.  
 X001 --- REFER SHEET NO.  
 1. F.F.L. --- FINISHED FLOOR LEVEL  
 2. S.F.L. --- STRUCTURAL FLOOR LEVEL  
 3. (R) --- REVERSED DETAIL

A 23/06/22 GENERAL REVISED		LS
NO.	DATE	REVISOR

JOB NO. : J-858  
 PROJECT : PROPOSED RESIDENTIAL DEVELOPMENT AT TKOTL 70RP, PHASE 11, LOHAS PARK TSEUNG KWAN O, N.T.

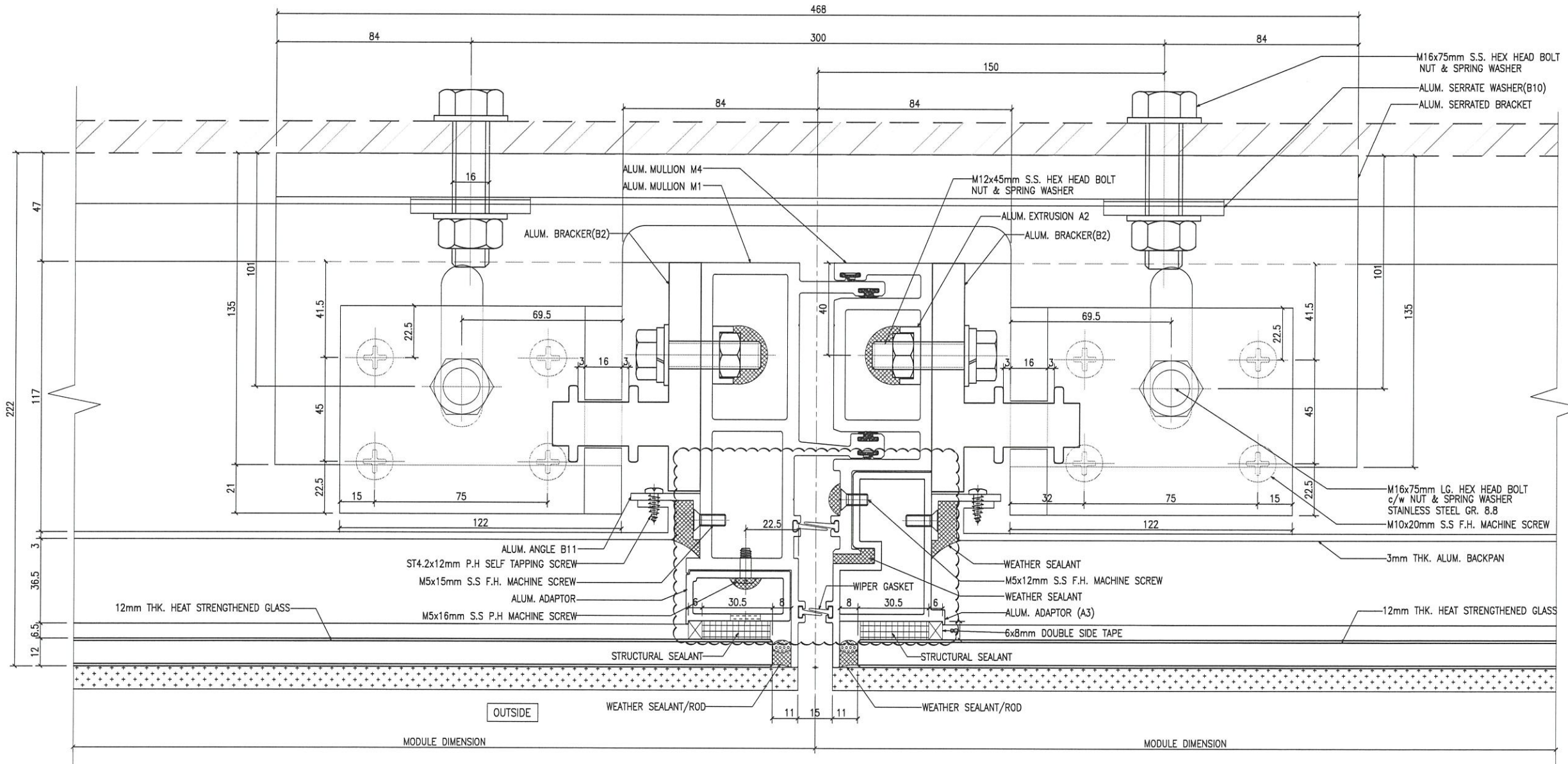
TITLE : DETAILS OF CURTAIN WALL PERFORMANCE TEST

DATE : 28-04-22 SCALE : 1:4(A3)

DRAWN BY : CHECKED BY :

美特鋁質有限公司  
MIDI ALUMINIUM FABRICATOR LTD.  
Units 6-8, Sunray Industrial Centre, 1/F  
610 Cha Kwo Ling Road, Kowloon  
Tel:23489211-4 Fax:(852)2772666

DWG NO. : J858-PT-CD05 REV. : A



1 HORIZONTAL DETAIL  
CD06 CURTAIN WALL

B.D. REF :

CLIENT :  
 信和置業有限公司  
 Sino Land Company Limited

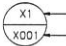

ARCHITECT :  
 **ronald lu & partners**  
 Architects Planners Interior Designers  
 Ronald Lu & Partners (HK) Ltd.  
 呂元祥建築師事務所(香港)有限公司

MAIN CONTRACTOR :  
 **Gammon**

STRUCTURAL ENGINEER :  
 **AECOM**

FAÇADE CONSULTANT:  
 **AECOM**

NOTE :  
 1. ALL DIMENSIONS ARE IN mm.  
 2. ALL ELEVATIONS ARE VIEWED FROM OUTSIDE.  
 3. ALL DIMENSIONS TO BE VERIFIED ON SITE BEFORE FABRICATION.

LEGEND :  
 X1 --- DETAIL MARK NO.  
 X001 --- REFER SHEET NO.  
 1. F.F.L. --- FINISHED FLOOR LEVEL  
 2. S.F.L. --- STRUCTURAL FLOOR LEVEL  
 3. (R) --- REVERSED DETAIL

A 23/06/22 GENERAL REVISED		LS
NO.	DATE	REVISED BY

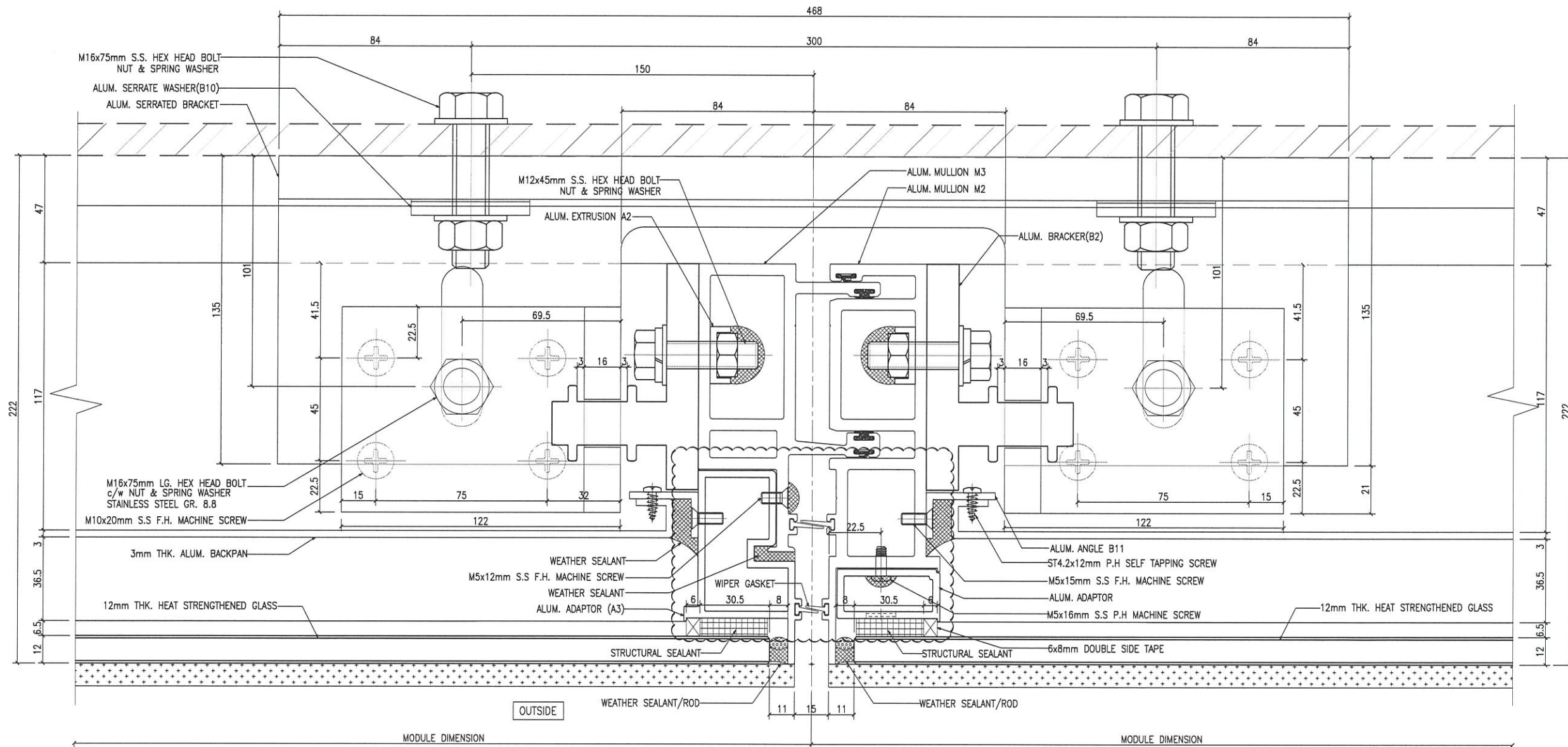
JOB NO. : J-858  
 PROJECT :  
 PROPOSED RESIDENTIAL DEVELOPMENT  
 AT TKOTL 70RP, PHASE 11, LOHAS PARK  
 TSEUNG KWAN O, N.T.

TITLE :  
 DETAILS OF  
 CURTAIN WALL PERFORMANCE TEST

DATE : 28-04-22 SCALE : 1:2(A3)  
 DRAWN BY : CHECKED BY :

 **美特鋁質有限公司**  
 MIDI ALUMINUM FABRICATOR LTD.  
 Units 6-8, Sunray Industrial Centre, 1/F  
 610 Cha Kwo Ling Road, Kowloon  
 Tel:23489211-4 Fax:(852)2727666

DWG NO. : J858-PT-CD06 REV. : A



1 HORIZONTAL DETAIL  
CD07 CURTAIN WALL

B.D. REF :

CLIENT :  
 信和置業有限公司  
 Sino Land Company Limited

ARCHITECT :  
 ronald lu & partners  
 Architects Planners Interior Designers  
 Ronald Lu & Partners (HK) Ltd.  
 呂元祥建築師事務所 (香港) 有限公司

MAIN CONTRACTOR :  
 Gammon

STRUCTURAL ENGINEER :  
 AECOM

FAÇADE CONSULTANT:  
 AECOM

NOTE :  
 1. ALL DIMENSIONS ARE IN mm.  
 2. ALL ELEVATIONS ARE VIEWED FROM OUTSIDE.  
 3. ALL DIMENSIONS TO BE VERIFIED ON SITE BEFORE FABRICATION.

LEGEND :  
 X1 --- DETAIL MARK NO.  
 X001 --- REFER SHEET NO.  
 1. F.F.L. --- FINISHED FLOOR LEVEL  
 2. S.F.L. --- STRUCTURAL FLOOR LEVEL  
 3. /R --- REVERSED DETAIL

A 23/06/22 GENERAL REVISED		LS
NO.	DATE	REVISED BY

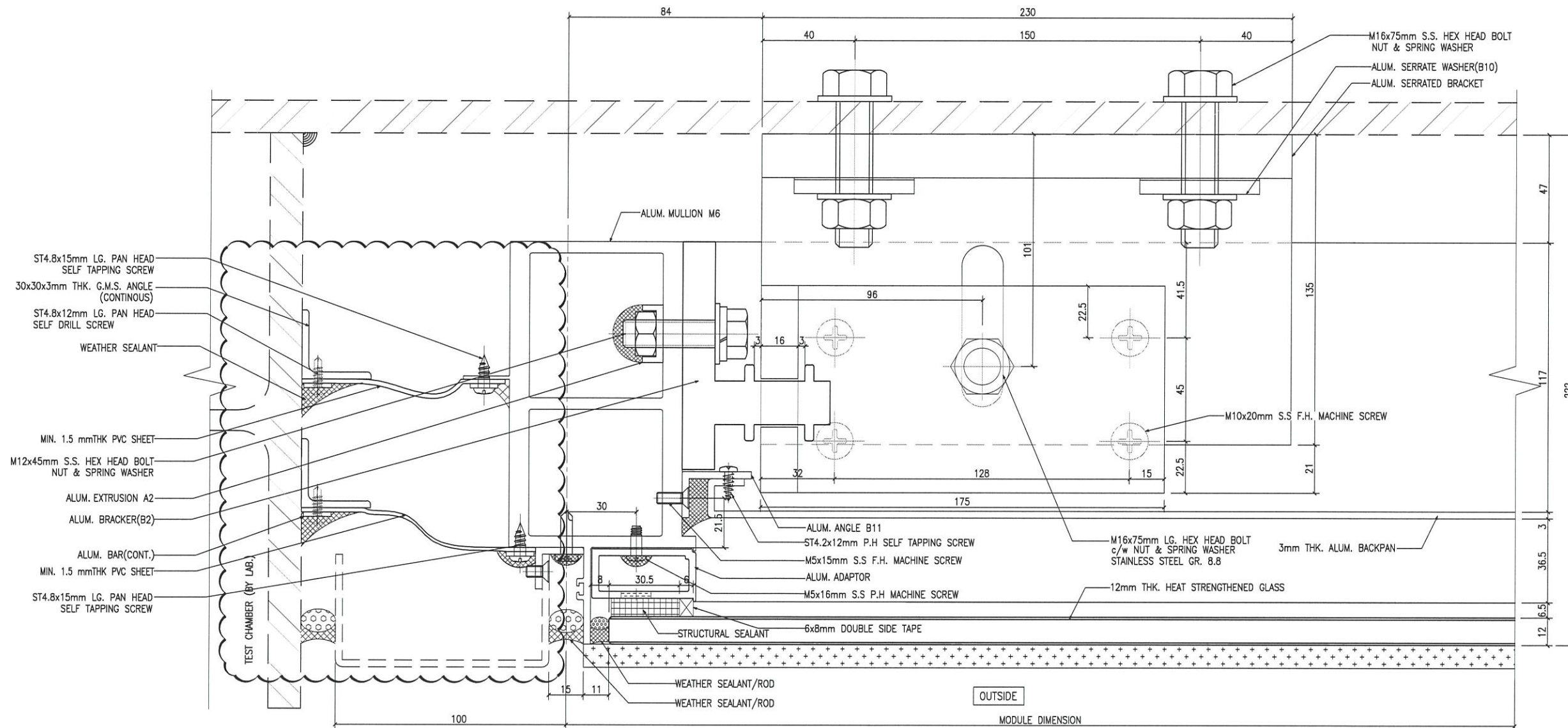
JOB NO. : J-858  
 PROJECT :  
 PROPOSED RESIDENTIAL DEVELOPMENT  
 AT TKOTL 70RP, PHASE 11, LOHAS PARK  
 TSEUNG KWAN O, N.T.

TITLE :  
 DETAILS OF  
 CURTAIN WALL PERFORMANCE TEST

DATE : 28-04-22 SCALE : 1:2(A3)  
 DRAWN BY : CHECKED BY :

美特鋁質有限公司  
 MIDI ALUMINUM FABRICATOR LTD.  
 Units 6-8, Sunray Industrial Centre, 1/F  
 610 Che Kwo Ling Road, Kowloon  
 Tel:23489211-4 Fax:(852)2772666  
 DWG NO. : J858-PT-CD07 REV. : A





1 HORIZONTAL DETAIL  
CD09 CURTAIN WALL

B.D. REF :

CLIENT :  
信和置業有限公司  
Sino Land Company Limited

ARCHITECT :  
ronald lu & partners  
Architects Planners Interior Designers  
Ronald Lu & Partners (HK) Ltd.  
呂元祥建築師事務所(香港)有限公司

MAIN CONTRACTOR :  
Gammon

STRUCTURAL ENGINEER :  
AECOM

FACADE CONSULTANT:  
AECOM

NOTE :  
1. ALL DIMENSIONS ARE IN mm.  
2. ALL ELEVATIONS ARE VIEWED FROM OUTSIDE.  
3. ALL DIMENSIONS TO BE VERIFIED ON SITE BEFORE FABRICATION.

LEGEND :  
X1 --- DETAIL MARK NO.  
X001 --- REFER SHEET NO.  
1. F.F.L. --- FINISHED FLOOR LEVEL  
2. S.F.L. --- STRUCTURAL FLOOR LEVEL  
3. (R) --- REVERSED DETAIL

A	23/06/22	GENERAL REVISED	LS
NO.	DATE	REVISED	BY

JOB NO. : J-858  
PROJECT : PROPOSED RESIDENTIAL DEVELOPMENT AT TKOTL 70RP, PHASE 11, LOHAS PARK TSEUNG KWAN O, N.T.

TITLE : DETAILS OF CURTAIN WALL PERFORMANCE TEST

DATE : 28-04-22 SCALE : 1:2(A3)

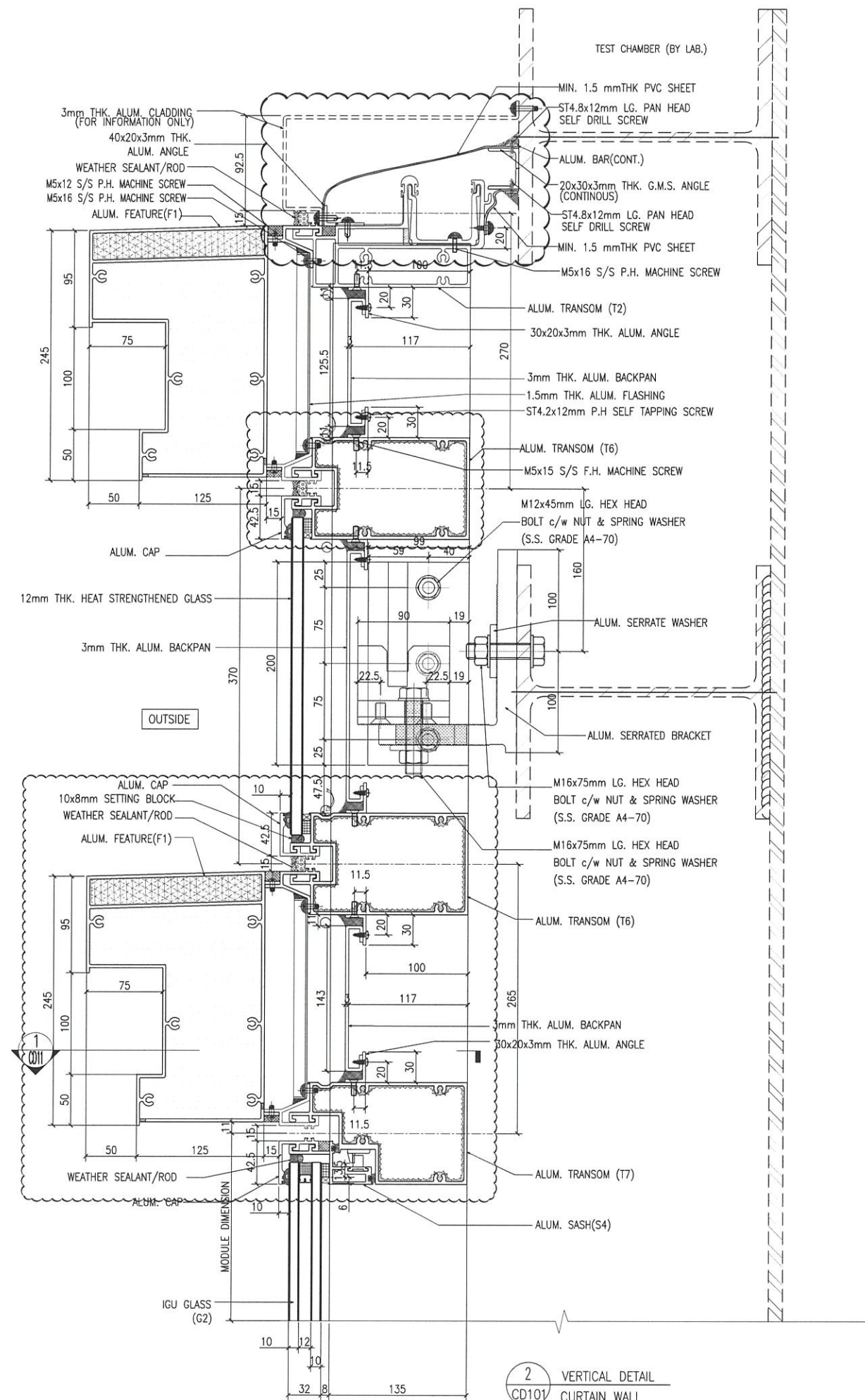
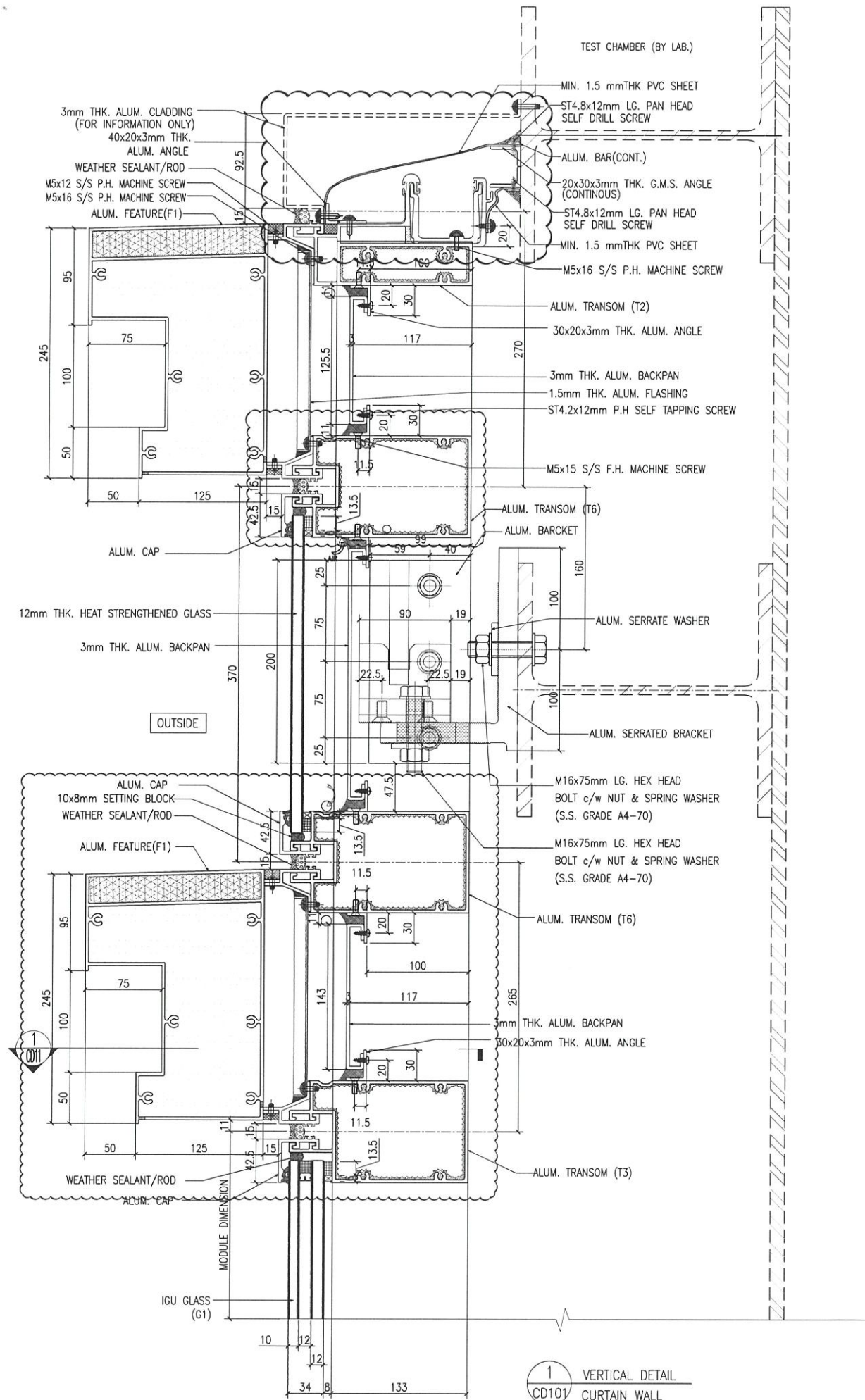
DRAWN BY : CHECKED BY :

美特鋁質有限公司  
MIDI ALUMINIUM FABRICATOR LTD.  
Units 6-8, Sunray Industrial Centre, 1/F  
610 Cha Kwo Ling Road, Kowloon  
Tel:23489211-4 Fax:(852)2727666

DWG NO. : J858-PT-CD09 REV. : A







B.D. REF :

CLIENT :  
 信和置業有限公司  
 Sino Land Company Limited

ARCHITECT :  
 ronald lu & partners  
 Ronald Lu & Partners (HK) Ltd.  
 呂元祥建築師事務所(香港)有限公司

MAIN CONTRACTOR :  
 Gammon

STRUCTURAL ENGINEER :  
 AECOM

FACADE CONSULTANT:  
 AECOM

NOTE :  
 1. ALL DIMENSIONS ARE IN mm.  
 2. ALL ELEVATIONS ARE VIEWED FROM OUTSIDE.  
 3. ALL DIMENSIONS TO BE VERIFIED ON SITE BEFORE FABRICATION.

LEGEND :  
 X1 -- DETAIL MARK NO.  
 XCD1 -- REFER SHEET NO.  
 1. F.F.L. -- FINISHED FLOOR LEVEL  
 2. S.F.L. -- STRUCTURAL FLOOR LEVEL  
 3. (R) -- REVERSED DETAIL

A 23/06/22 GENERAL REVISED		LS
NO.	DATE	REVISOR

JOB NO. : J-858  
 PROJECT : PROPOSED RESIDENTIAL DEVELOPMENT AT TKOTL 70RP, PHASE 11, LOHAS PARK TSEUNG KWAN O, N.T.

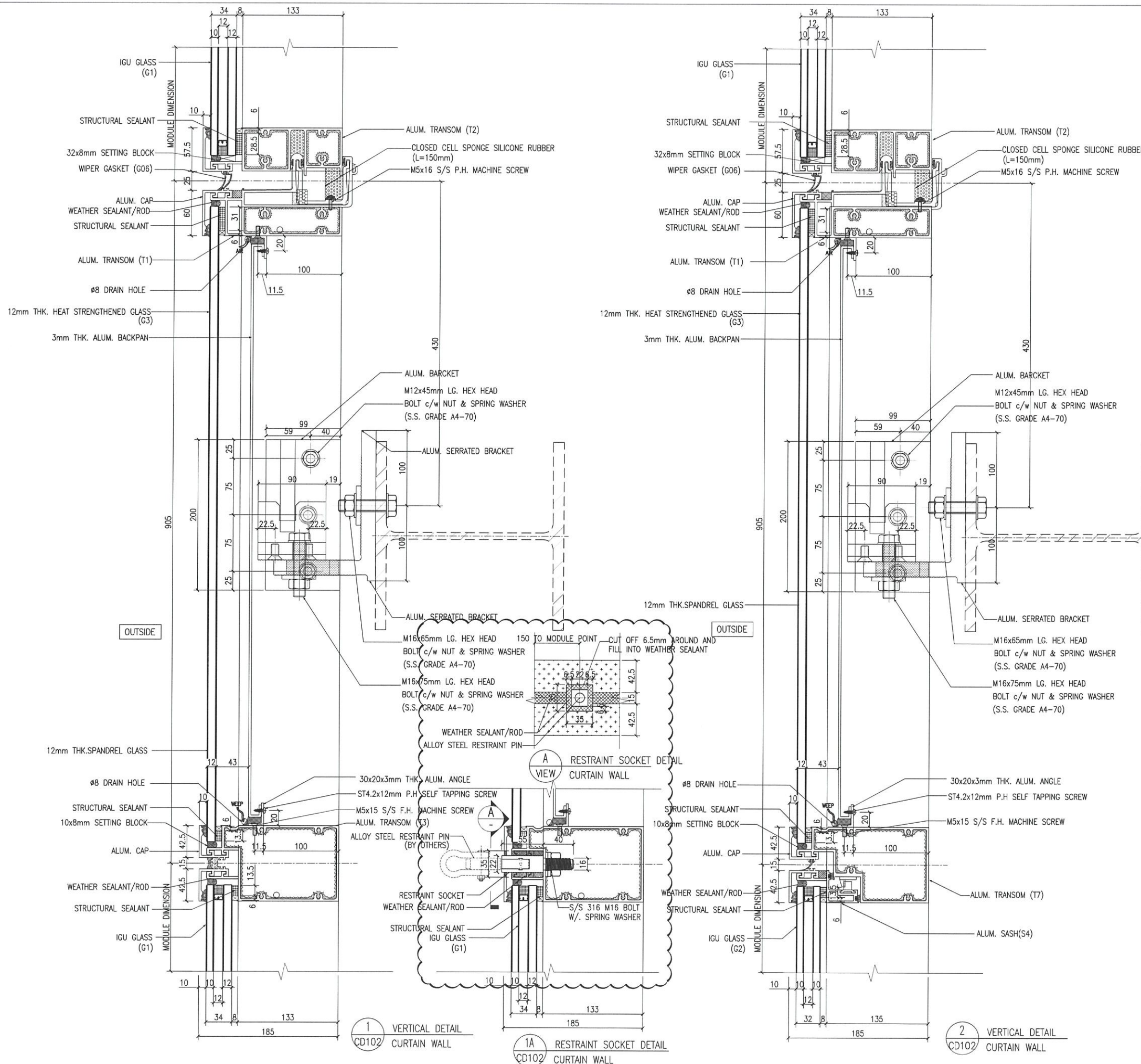
TITLE : DETAILS OF CURTAIN WALL PERFORMANCE TEST

DATE : 28-04-22 SCALE : 1:5(A3)

DRAWN BY : CHECKED BY :

美特鋁質有限公司  
 MIDI ALUMINIUM FABRICATOR LTD.  
 Units 6-8, Sunray Industrial Centre, 1/F  
 610 Cha Kwo Ling Road, Kowloon  
 Tel:23489211-4 Fax:(852)2727666

DWG NO. : J858-PT-CD101 REV. : A



B.D. REF :

CLIENT :  
 信和置業有限公司  
 Sino Land Company Limited

ARCHITECT :  
 ronald lu & partners  
 Architects, Planners, Interior Designers  
 Ronald Lu & Partners (HK) Ltd.  
 呂元祥建築師事務所 (香港) 有限公司

MAIN CONTRACTOR :  
 Gammon

STRUCTURAL ENGINEER :  
 AECOM

FACADE CONSULTANT:  
 AECOM

NOTE :  
 1. ALL DIMENSIONS ARE IN mm.  
 2. ALL ELEVATIONS ARE VIEWED FROM OUTSIDE.  
 3. ALL DIMENSIONS TO BE VERIFIED ON SITE BEFORE FABRICATION.

LEGEND :  
 X1 -- DETAIL MARK NO.  
 X001 -- REFER SHEET NO.  
 1. F.F.L. -- FINISHED FLOOR LEVEL  
 2. S.F.L. -- STRUCTURAL FLOOR LEVEL  
 3. (R) -- REVERSED DETAIL

B	17/08/22	GENERAL REVISED	LS
A	23/06/22	GENERAL REVISED	LS
NO.	DATE	REVISED	BY

JOB NO. : J-858  
 PROJECT :  
 PROPOSED RESIDENTIAL DEVELOPMENT  
 AT TKOTL 70RP, PHASE 11, LOHAS PARK  
 TSEUNG KWAN O, N.T.

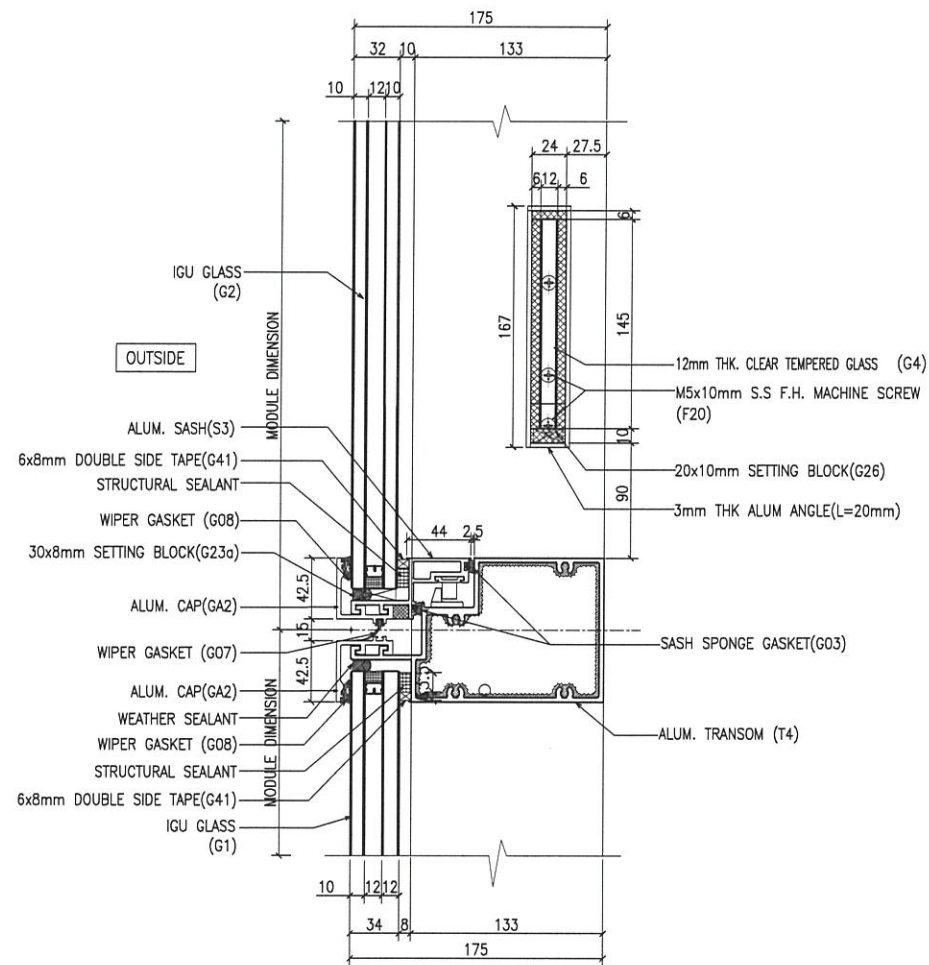
TITLE :  
 DETAILS OF CURTAIN WALL PERFORMANCE TEST

DATE : 28-04-22 SCALE : 1:5(A3)

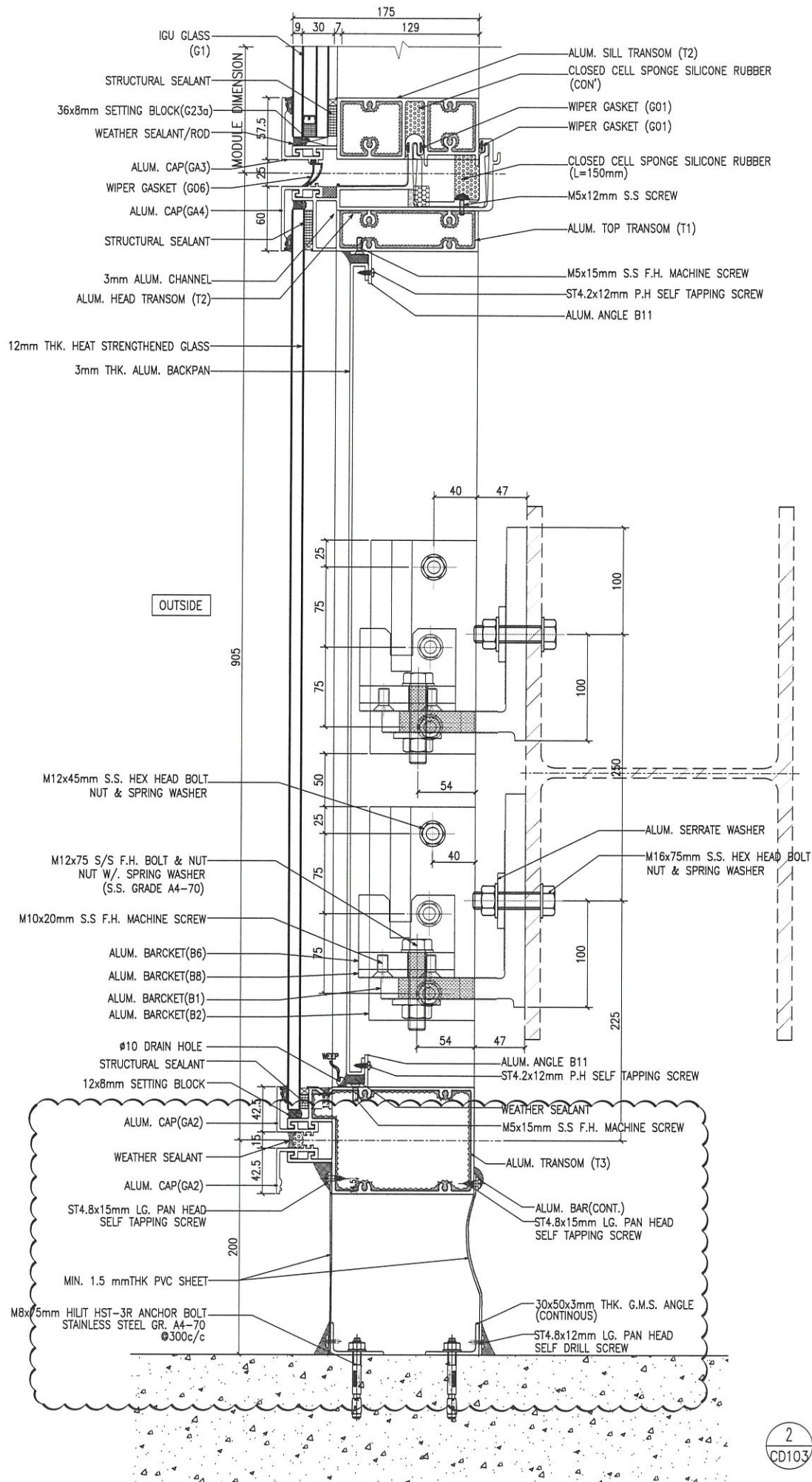
DRAWN BY : CHECKED BY :

美特鋁質有限公司  
 MIDI ALUMINUM FABRICATOR LTD.  
 Units 6-8, Sunray Industrial Centre, 1/F  
 610 Cha Kwo Ling Road, Kowloon  
 Tel:23489211-4 Fax:(852)27727666

DWG NO. : J858-PT-CD102 REV. : B



1 VERTICAL DETAIL  
CD103 CURTAIN WALL



2 VERTICAL DETAIL  
CD103 CURTAIN WALL

B.D. REF :

CLIENT :  
信和置業有限公司  
Sino Land Company Limited

ARCHITECT :  
ronald lu & partners  
Architects Planners Interior Designers  
Ronald Lu & Partners (HK) Ltd.  
呂元祥建築師事務所 (香港) 有限公司

MAIN CONTRACTOR :  
Gammon

STRUCTURAL ENGINEER :  
AECOM

FACADE CONSULTANT:  
AECOM

NOTE :  
1. ALL DIMENSIONS ARE IN mm.  
2. ALL ELEVATIONS ARE VIEWED FROM OUTSIDE.  
3. ALL DIMENSIONS TO BE VERIFIED ON SITE BEFORE FABRICATION.

LEGEND :  
X1 --- DETAIL MARK NO.  
X001 --- REFER SHEET NO.  
1. F.F.L. --- FINISHED FLOOR LEVEL  
2. S.F.L. --- STRUCTURAL FLOOR LEVEL  
3. /R --- REVERSED DETAIL

A	23/06/22	GENERAL REVISED	LS
NO.	DATE	REVISED	BY

JOB NO. : J-858  
PROJECT : PROPOSED RESIDENTIAL DEVELOPMENT AT TKOTL 70RP, PHASE 11, LOHAS PARK TSEUNG KWAN O, N.T.

TITLE : DETAILS OF CURTAIN WALL PERFORMANCE TEST

DATE : 28-04-22 SCALE : 1:5(A3)

DRAWN BY : CHECKED BY :

美特鋁質有限公司  
MIDI ALUMINIUM FABRICATOR LTD.  
Units 6-8, Sunray Industrial Centre, 1/F  
610 Cha Kwo Ling Road, Kowloon  
Tel: 23489211-4 Fax: (852) 2772666

DWG NO. : J858-PT-CD103 REV. : A