



美特鋁質有限公司

MIDI ALUMINIUM FABRICATOR LTD.

工程指示 / 要求簡箋 ENGINEER INSTRUCTIONS(E.I.)

工程指示編號:	EI- 4650	修改版本:	-
	HK- 0727		
工程編號:	J 858	工程名稱:	將軍澳日出康城11
收件人:	Maggie/ 生統/ 王良	發件人:	Karina Lee
工程項目:	Curtain Wall +Glass Cladding 鋁料 模圖 (30個) (X86272- X86301) 畫 圖	日期:	03/05/2022

<input type="checkbox"/> 原合約工程包	<input type="checkbox"/> 原合約工程加 / 減賬 QT-	<input type="checkbox"/> 新工程報價 QT-
---------------------------------	--	------------------------------------

信件批核號碼/圖紙參考編號:	批核模具圖紙編號:
客戶指示附件:	管理內部批簽署:

<input type="checkbox"/> 初步鋁料 B.M.	<input type="checkbox"/> 加工拆圖, 然後生產	<input type="checkbox"/> 尺寸表
<input type="checkbox"/> 正式鋁料 B.M.	<input type="checkbox"/> 技術上資料/指示	<input type="checkbox"/> 報價
<input type="checkbox"/> 配件 B.M.	<input type="checkbox"/> 樣辦或貨品說明書	<input type="checkbox"/> 分判合約
<input type="checkbox"/> 其他:		

內容: 請為Curtain Wall + Glass Cladding 開新模圖共30個 (X86272, X86273, X86274, X86275, X86276, X86277, X86278, X86279, X86280, X86281, X86282, X86283, X86284, X86285, X86286, X86287, X86288, X86289, X86290, X86291, X86292, X86293, X86294, X86295, X86296, X86297, X86298, X86299, X86300, X86301) 謝謝
完成上列要求日期: 06/05/2022

國內

<input type="checkbox"/> 生產技術總監	<input type="checkbox"/> 連附件	<input type="checkbox"/> 技術部	<input type="checkbox"/> 連附件	<input type="checkbox"/> 生產部	<input type="checkbox"/> 連附件
<input type="checkbox"/> 採購部	<input type="checkbox"/> 連附件	<input checked="" type="checkbox"/> 生產統籌部	<input checked="" type="checkbox"/> 連附件	<input type="checkbox"/> 報關組	<input type="checkbox"/> 連附件
<input checked="" type="checkbox"/> 質檢部	<input checked="" type="checkbox"/> 連附件	<input type="checkbox"/> 會計部	<input type="checkbox"/> 連附件	<input type="checkbox"/> 機械設計部	<input type="checkbox"/> 連附件
<input type="checkbox"/> 其他:					

香港

<input type="checkbox"/> 行政部	<input type="checkbox"/> 連附件	<input type="checkbox"/> 會計部	<input type="checkbox"/> 連附件	<input type="checkbox"/> 統籌部	<input type="checkbox"/> 連附件	<input type="checkbox"/> 工程部	<input type="checkbox"/> 連附件
<input checked="" type="checkbox"/> 採購部	<input checked="" type="checkbox"/> 連附件	<input type="checkbox"/> QS部	<input type="checkbox"/> 連附件	<input type="checkbox"/> 地盤管理	<input type="checkbox"/> 連附件	<input type="checkbox"/> 維修部	<input type="checkbox"/> 連附件

*發件人簽署:		*組別成員批核簽署:	
傳遞編號:		項目經理簽署:	







CW · 零件图 (03)



MIDI ALUMINIUM FABRICATOR LTD.

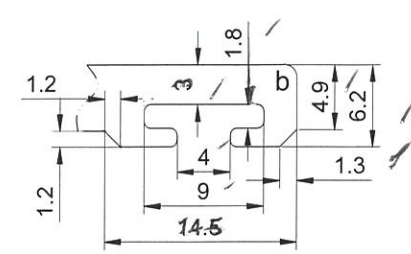
DRAWING NO.

M3

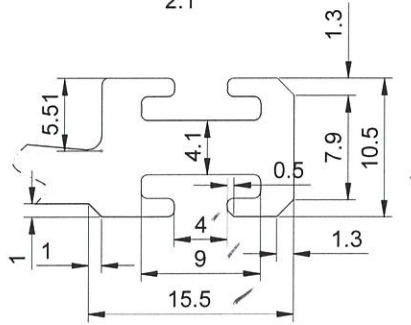
REV.

X81274

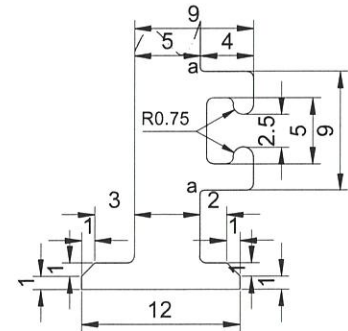
TITLE



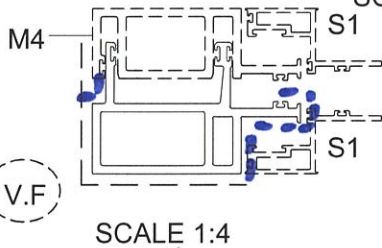
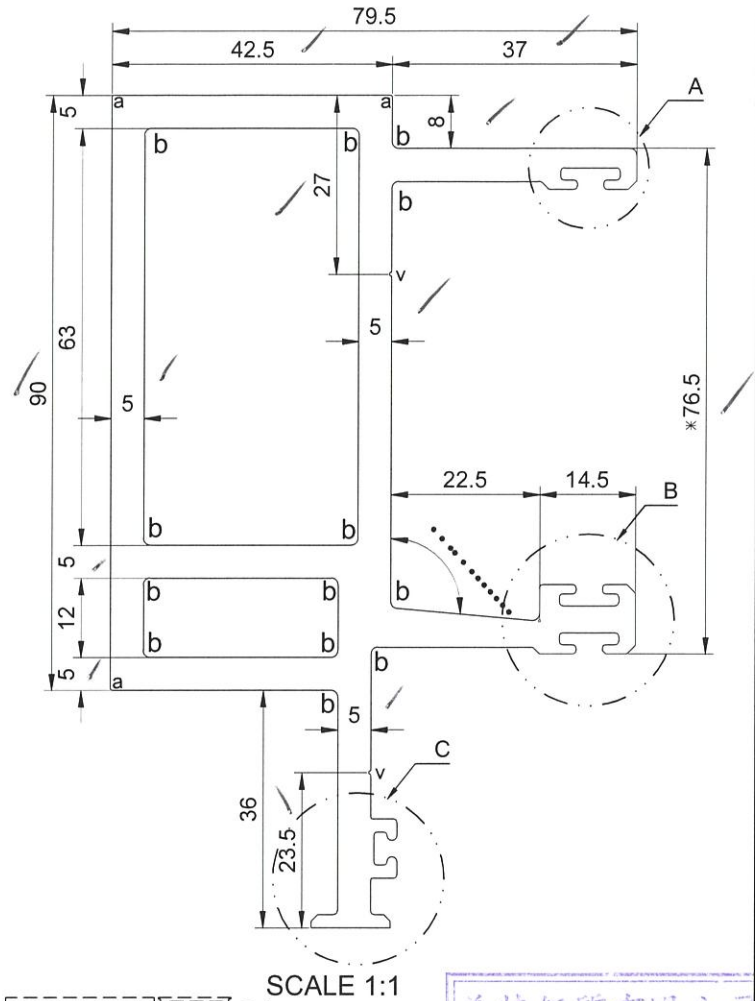
A  
2:1



B  
2:1



C  
2:1



APPROVED :

6063-T6

Unspec. Radius: R0.5

Unspec. Thickness: 5.0

Exposed Surface: — —

1. Important dimension: \*

2. Referenced dimension: ( )

a=R0.3  
b=R1.0  
v=R0.3XDP0.3

SECTIONAL AREA	mm <sup>2</sup>	ADDITIONAL TOLERANCE	DATE	REVISION			
				NO.	DATE	NAME	DESCRIPTION
2020.3		Thickness ± mm	08/03/2022				
WEIGHT	KG/M	Flatness /25mm width	SCALE				
5.48		Straightness /300mm	1 : 1				
PERIMETER	mm	Twist /300 mm max	DRAWN				
836.05		Angularity ± degree	CHECK				
V.F.	mm						
177.56							

270.06

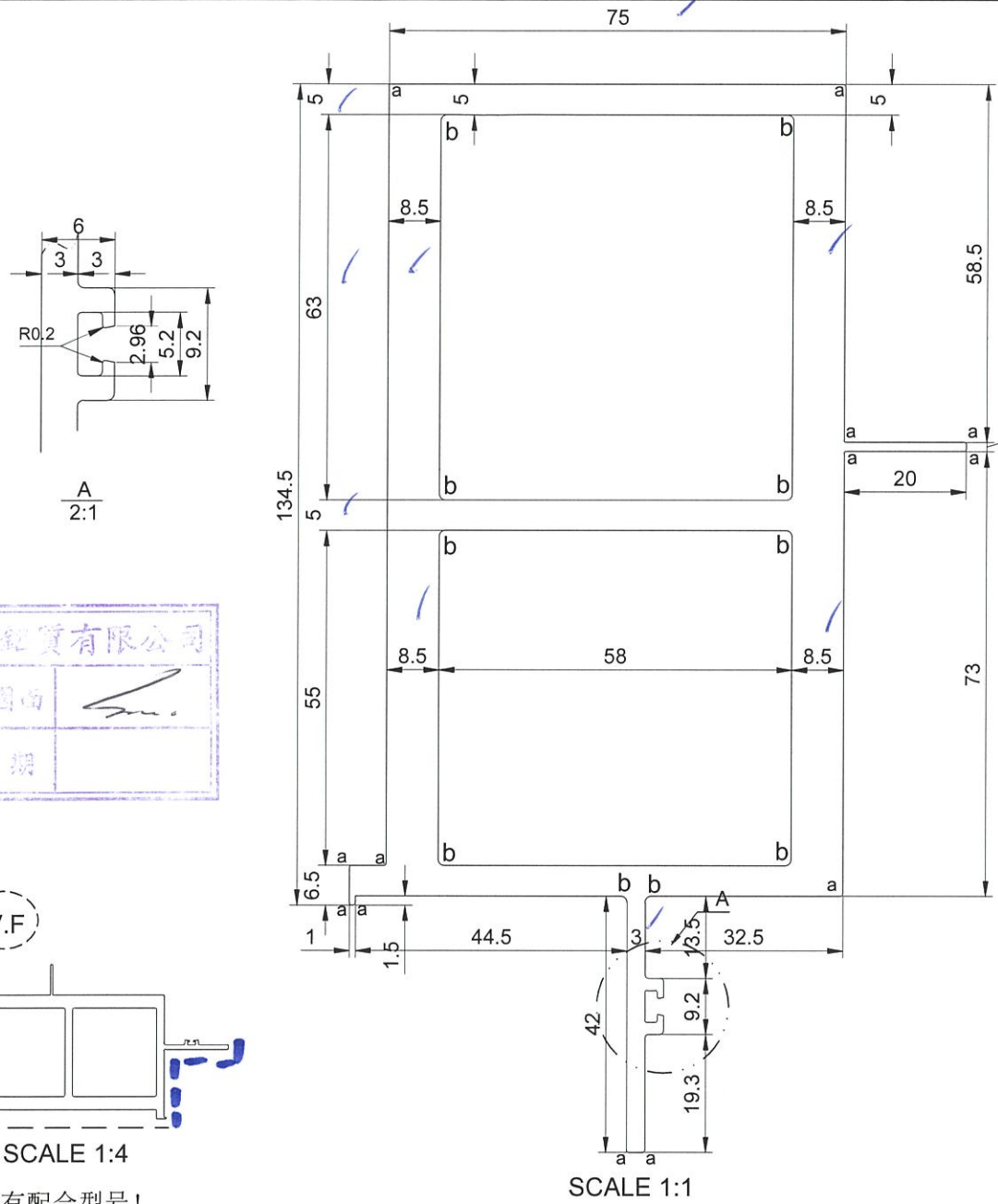




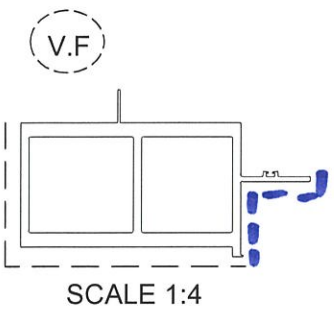


換邊色 (F8)

	DRAWING NO.	REV.	TITLE
	M6 X86278		



美特铝业有限公司  
 承認圖面  
 日期



SCALE 1:1

备注：没有配合型号！

APPROVED :

6063-T6  
 Unspec.Radius: R0.5  
 Unspec.Thickness: 5.0

Exposed Surface: — —  
 1.Important dimension: \*  
 2.Referenced dimension: ( )

a=R0.3  
 b=R1.0  
 v=R0.3XDP0.3

SECTIONAL AREA	mm <sup>2</sup>	3415.38	ADDITIONAL TOLERANCE	DATE	REVISION			
WEIGHT	KG/M	9.26	Thickness ± mm	08/03/2022	NO.	DATE	NAME	DESCRIPTION
PERIMETER	mm	1061.45	Flatness /25mm width	SCALE				
V.F.	mm	230.34	Straightness /300mm	1 : 1				
			Twist /300 mm max	DRAWN				
			Angularity ± degree	CHECK				

320.34

水擋模(D1) X



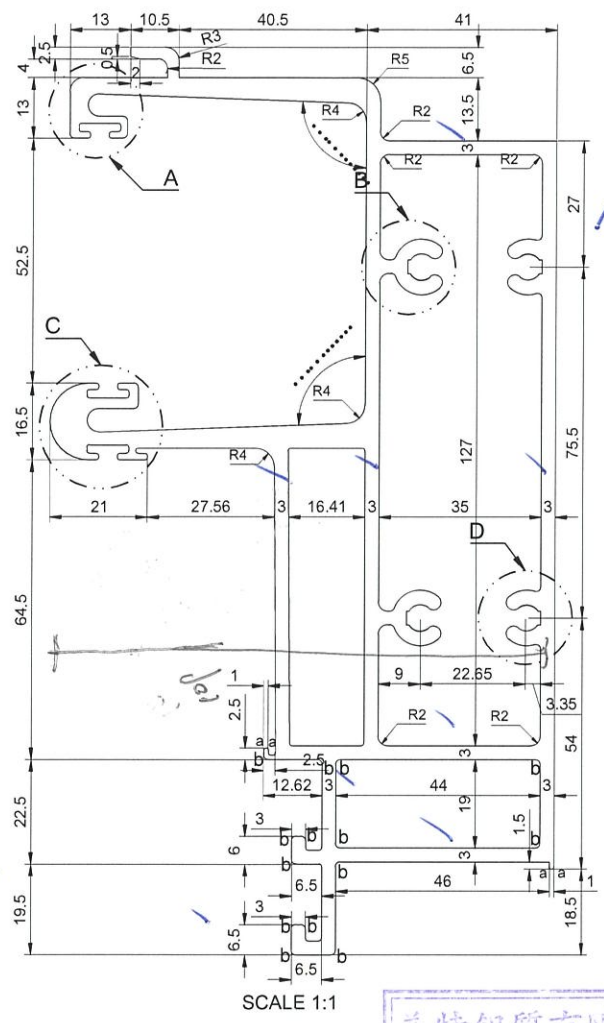
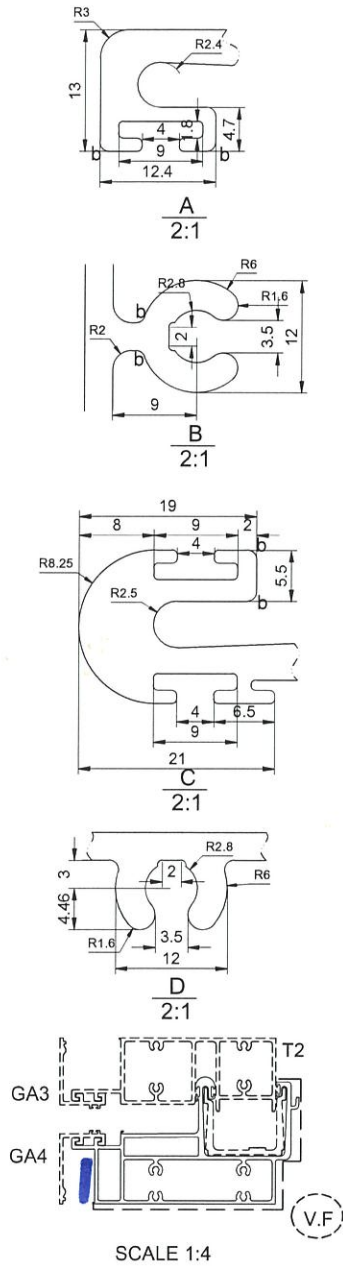
MIDI ALUMINIUM FABRICATOR LTD.

DRAWING NO.

第 1 x 86279

REV.

TITLE



美特鋁質有限公司  
承認圖面  
日期

APPROVED :

6063-T6  
Unspec.Radius: R0.5  
Unspec.Thickness: 5.0

Exposed Surface: ---  
1.Important dimension: \*  
2.Referenced dimension: ()

a=R0.3  
b=R1.0  
v=R0.3XDP0.3

SECTIONAL AREA		ADDITIONAL TOLERANCE		DATE	REVISION			
2750.06	mm <sup>2</sup>	Thickness	± mm	09/01/2020	NO.	DATE	NAME	DESCRIPTION
7.45	KG/M	Flatness	/25mm width	SCALE				
1653.96	mm	Straightness	/300mm	DRAWN				
V.F.	mm	Twist	/300 mm max	CHECK				
309.3	mm	Angularity	± degree					

底模 (D2)



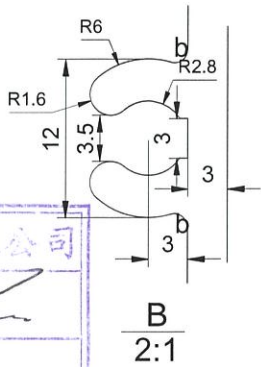
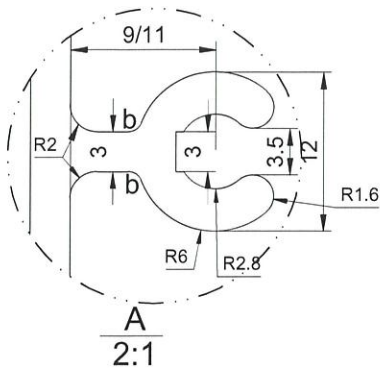
MIDI ALUMINIUM FABRICATOR LTD.

DRAWING NO.

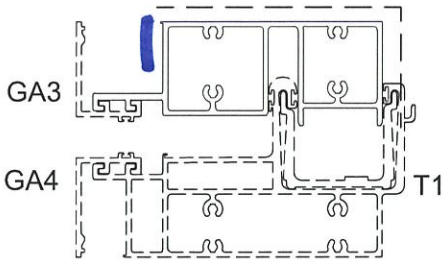
T2 X81280

REV.

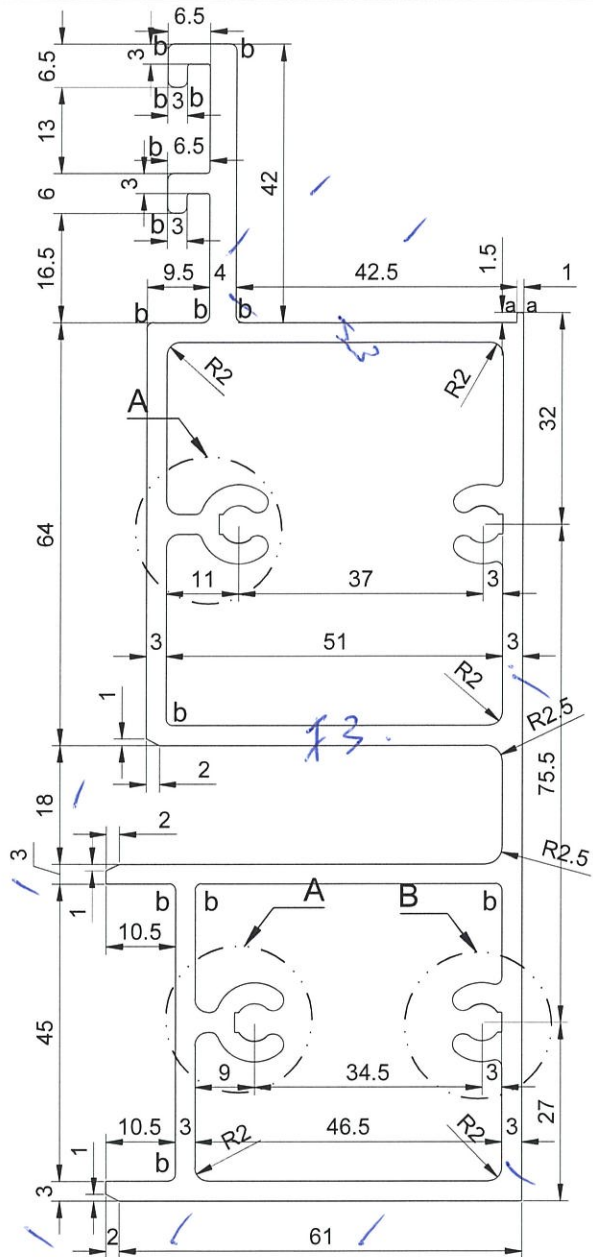
TITLE



V.F



SCALE 1:4



SCALE 1:1

美特鋁業有限公司  
承認圖面  
日期

APPROVED :

6063-T6

Unspec. Radius: R0.5

Unspec. Thickness: 5.0

Exposed Surface: — —

1. Important dimension: \*

2. Referenced dimension: ( )

a=R0.3  
b=R1.0  
v=R0.3XDP0.3

SECTIONAL AREA	mm <sup>2</sup>	ADDITIONAL TOLERANCE	DATE	REVISION			
				NO.	DATE	NAME	DESCRIPTION
1894.4		Thickness	08/03/2022				
WEIGHT	KG/M	Flatness	SCALE				
5.13		/25mm width	1 : 1				
PERIMETER	mm	Straightness	DRAWN				
1186.71		/300mm	-				
V.F.	mm	Twist	CHECK				
200		/300 mm max					
		Angularity					
		degree					





425 Cap. (A12)



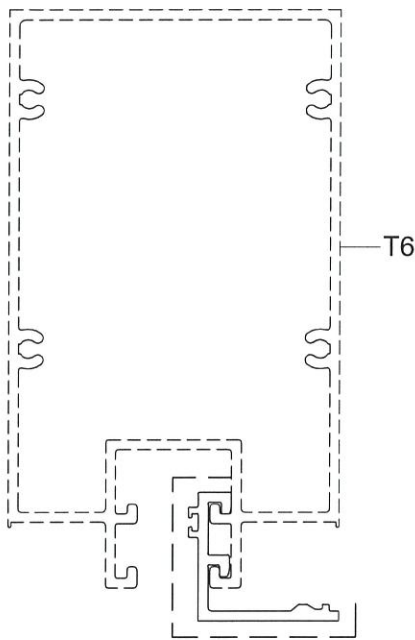
MIDI ALUMINIUM FABRICATOR LTD.

DRAWING NO.

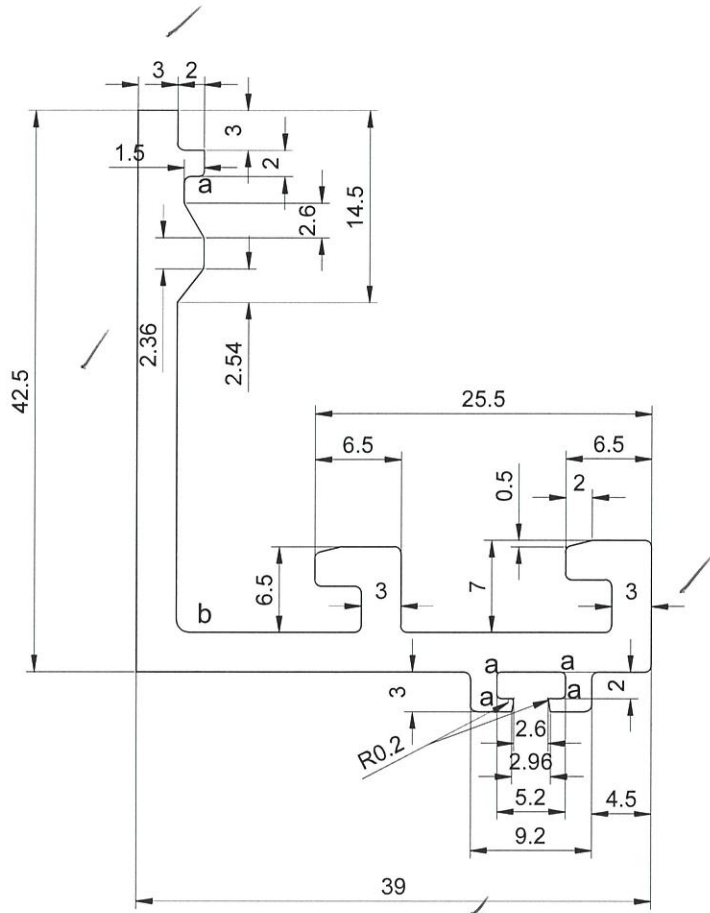
REV.

TITLE

GA2 x86x83



SCALE 1:2



SCALE 2:1

APPROVED :

6063-T5

Unspec. Radius: R0.5

Unspec. Thickness: 3.0

Exposed Surface: — —

1. Important dimension: \*

2. Referenced dimension: ( )

a=R0.3

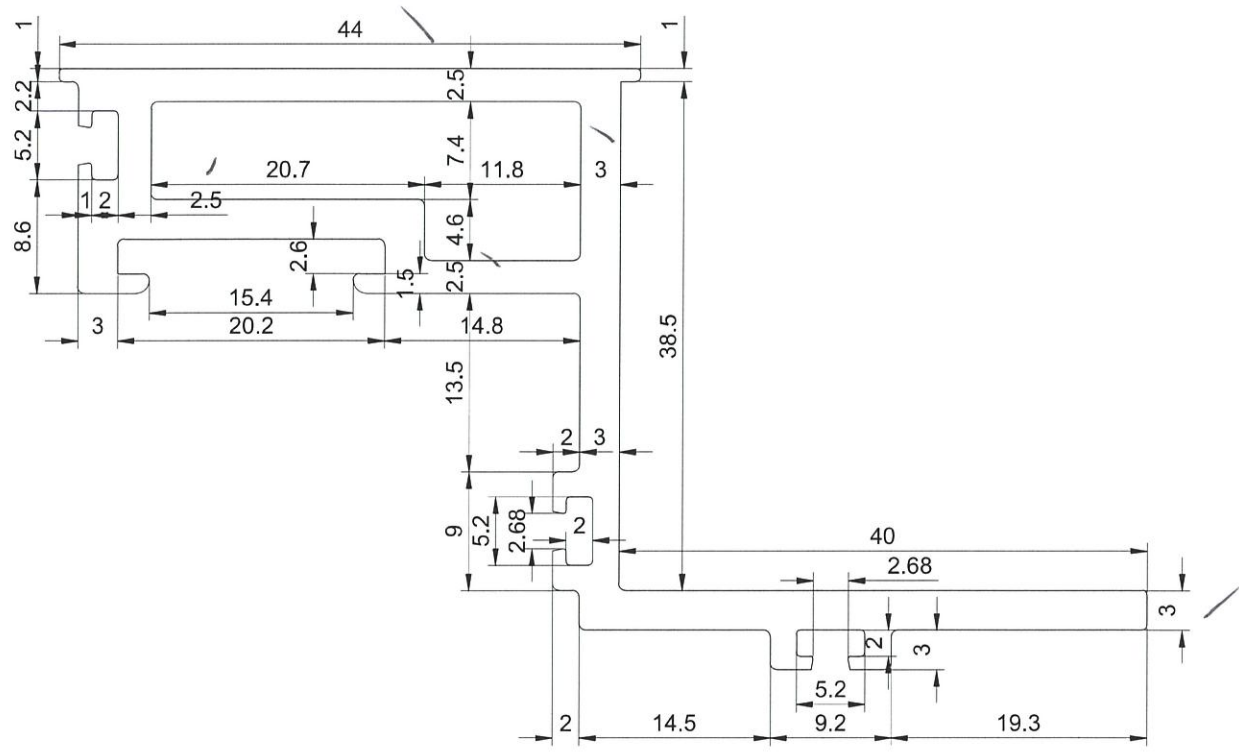
b=R1.0

v=R0.3XDP0.3

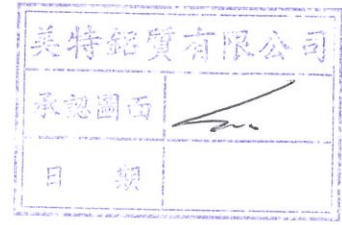
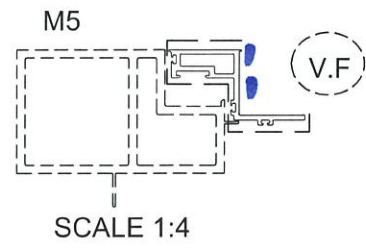
SECTIONAL AREA	mm <sup>2</sup>	ADDITIONAL TOLERANCE	DATE	REVISION			
				NO.	DATE	NAME	DESCRIPTION
326.23	✓	Thickness ± 0.1 mm	09/03/2022				
WEIGHT	KG/M	Flatness 0.1 /25mm width	SCALE				
0.875	✓	Straightness 0.3 /300mm	1 : 1				
PERIMETER	mm	Twist 0.5° /300 mm max	DRAWN				
219.57	✓	Angularity ± 1.0 degree	-				
V.F.	mm		CHECK				
109.80	✓						

正身圖 (SI)

	DRAWING NO.	REV.	TITLE
	SZ X 86284		



SCALE 2:1



APPROVED :

6063-T5  
 Unspec. Radius: R0.5  
 Unspec. Thickness: 5.0

Exposed Surface: — —  
 1. Important dimension: \*  
 2. Referenced dimension: ( )

a=R0.3  
 b=R1.0  
 v=R0.3XDP0.3

SECTIONAL AREA	mm <sup>2</sup>	ADDITIONAL TOLERANCE	DATE	REVISION			
				NO.	DATE	NAME	DESCRIPTION
532.04		Thickness ± mm	08/03/2022				
WEIGHT	KG/M	Flatness /25mm width	SCALE				
1.44		Straightness /300mm	1 : 1				
PERIMETER	mm	Twist /300 mm max	DRAWN				
393.54		Angularity ± degree	CHECK				
V.F.	mm						
451.54							

491.54

企 特 鋁 業 S2.



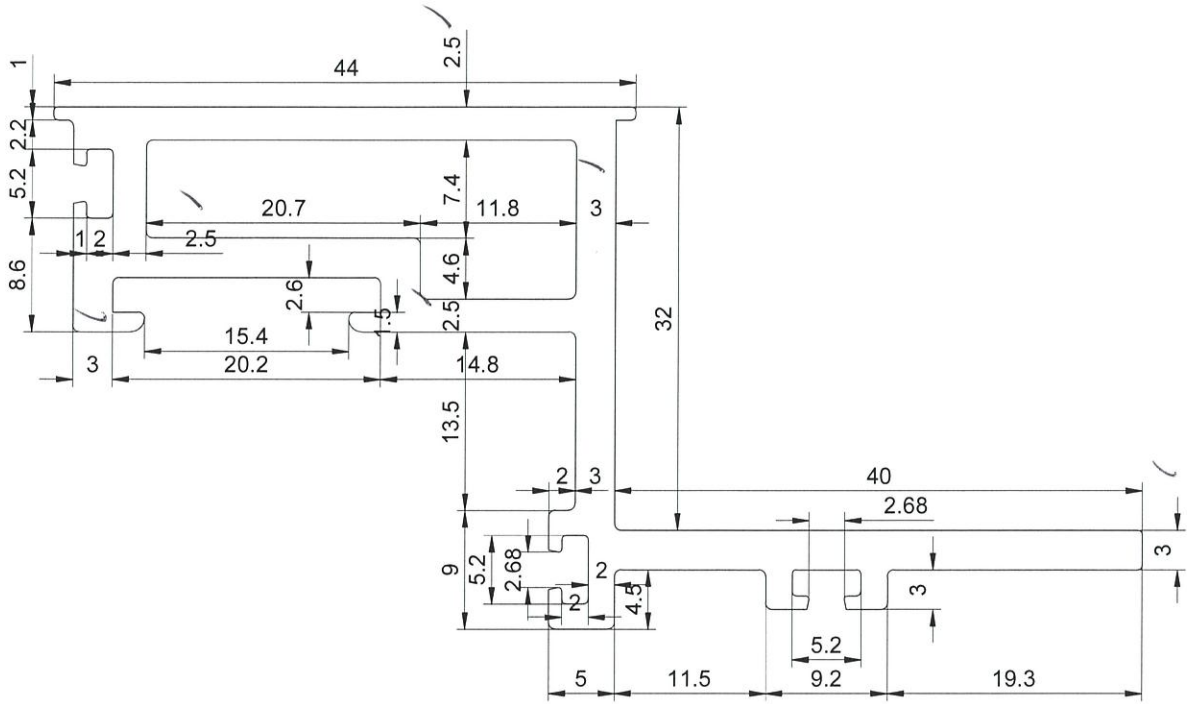
MIDI ALUMINIUM FABRICATOR LTD.

DRAWING NO.

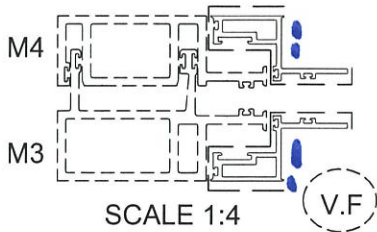
-S1 X86>86

REV.

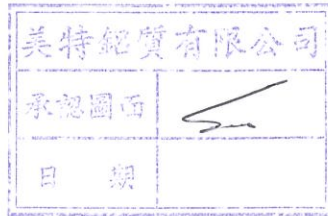
TITLE



SCALE 2:1



SCALE 1:4



APPROVED :

6063-T5

Unspec. Radius: R0.5

Unspec. Thickness: 5.0

Exposed Surface: — —

1. Important dimension: \*

2. Referenced dimension: ( )

a=R0.3

b=R1.0

v=R0.3XDP0.3

SECTIONAL AREA	mm <sup>2</sup>	ADDITIONAL TOLERANCE	DATE	REVISION			
				NO.	DATE	NAME	DESCRIPTION
523.04		Thickness ± mm	08/03/2022				
WEIGHT	KG/M	Flatness /25mm width	SCALE				
1.42		Straightness /300mm	1 : 1				
PERIMETER	mm	Twist /300 mm max	DRAWN				
387.54		Angularity ± degree	CHECK				
V.F.	mm						
454.54							

486.54.

轉角圓角槽 (B12)



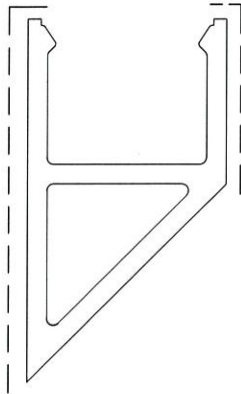
MIDI ALUMINIUM FABRICATOR LTD.

DRAWING NO.

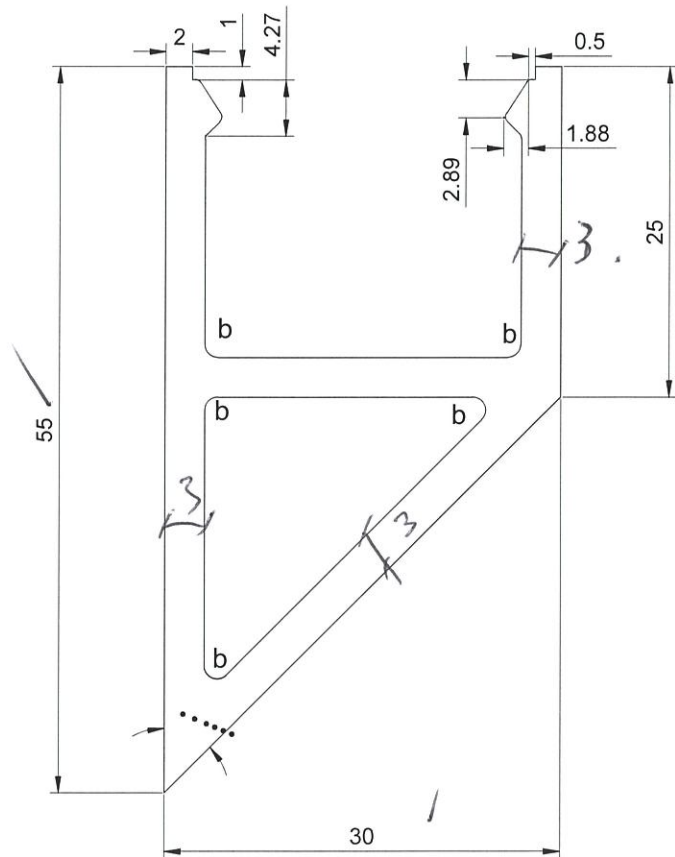
A1 X86286

REV.

TITLE



SCALE 1:1



SCALE 2:1

APPROVED :

6063-T5

Unspec. Radius: R0.5

Unspec. Thickness: 5.0

Exposed Surface: — —

1. Important dimension: \*

2. Referenced dimension: ( )

a=R0.3

b=R1.0

v=R0.3XDP0.3

SECTIONAL AREA	mm <sup>2</sup>	ADDITIONAL TOLERANCE	DATE	REVISION			
				NO.	DATE	NAME	DESCRIPTION
418.52		Thickness	08/03/2022				
WEIGHT	KG/M	Flatness	SCALE				
1.13		/25mm width	1 : 1				
PERIMETER	mm	Straightness	DRAWN				
268.76		/300mm	-				
V.F.	mm	Twist	CHECK				
84		/300 mm max					
		Angularity					
		degree					

鋁板角 (ST2)



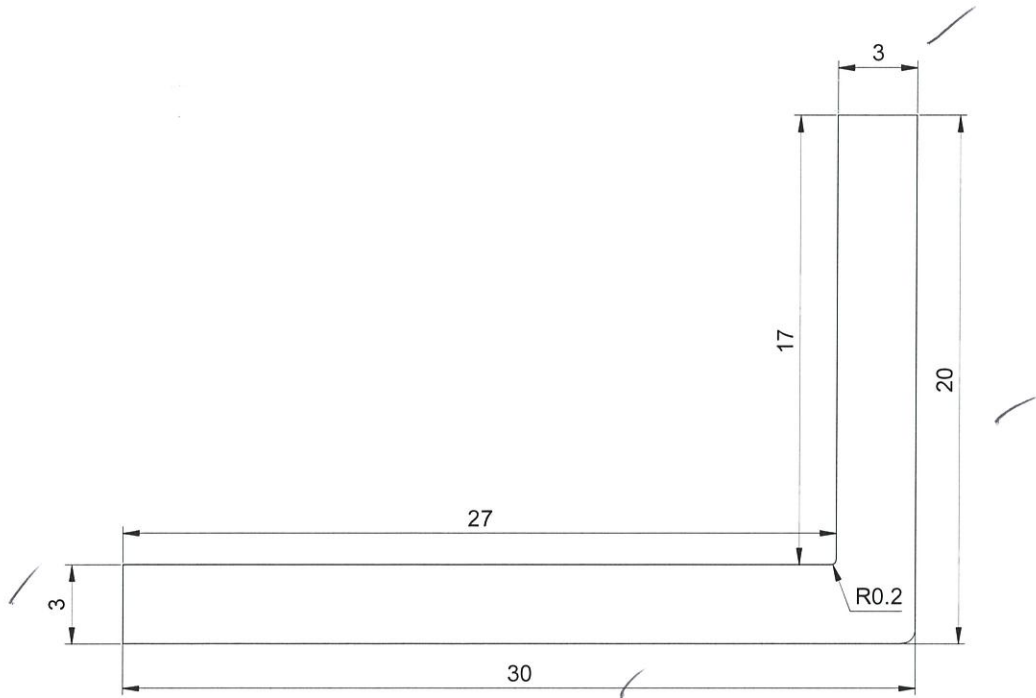
MIDI ALUMINIUM FABRICATOR LTD.

DRAWING NO.

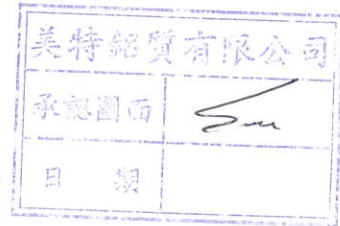
B11 x 81287

REV.

TITLE



SCALE 4:1



APPROVED :

6063-T5

Unspec. Radius: R0.5

Unspec. Thickness: 5.0

Exposed Surface: — —

1. Important dimension: \*

2. Referenced dimension: ( )

a=R0.3

b=R1.0

v=R0.3XDP0.3

SECTIONAL AREA	mm <sup>2</sup>	ADDITIONAL TOLERANCE	DATE	REVISION			
				NO.	DATE	NAME	DESCRIPTION
141		Thickness	08/03/2022				
WEIGHT	KG/M	Flatness	SCALE				
0.38		/25mm width	1 : 1				
PERIMETER	mm	Straightness	DRAWN				
99.7		/300mm	-				
V.F.	mm	Twist	CHECK				
		/300 mm max					
		Angularity					
		degree					

生田企 (E4)



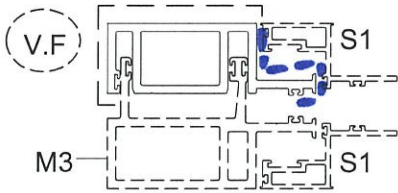
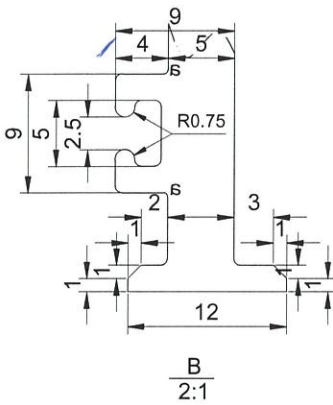
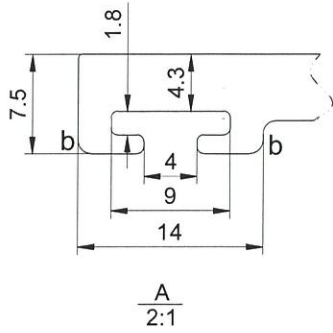
MIDI ALUMINIUM FABRICATOR LTD.

DRAWING NO.

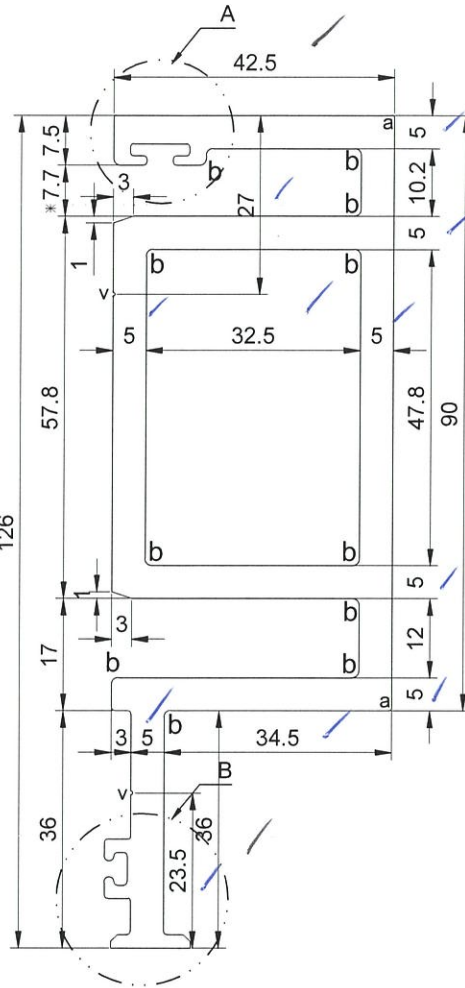
~~M4~~ X86280

REV.

TITLE



SCALE 1:4



APPROVED :

6063-T6

Unspec.Radius: R0.5

Unspec.Thickness: 5.0

Exposed Surface: — —

1.Important dimension: \*

2.Referenced dimension: ( )

a=R0.3  
b=R1.0  
v=R0.3XDP0.3

SECTIONAL AREA	mm <sup>2</sup>	ADDITIONAL TOLERANCE	DATE	REVISION			
				NO.	DATE	NAME	DESCRIPTION
1665.38		Thickness ± mm	08/03/2022				
WEIGHT	KG/M	Flatness /25mm width	SCALE				
4.51		Straightness /300mm	1 : 1				
PERIMETER	mm	Twist /300 mm max	DRAWN				
V.F.	mm	Angularity ± degree	CHECK				
140.5							

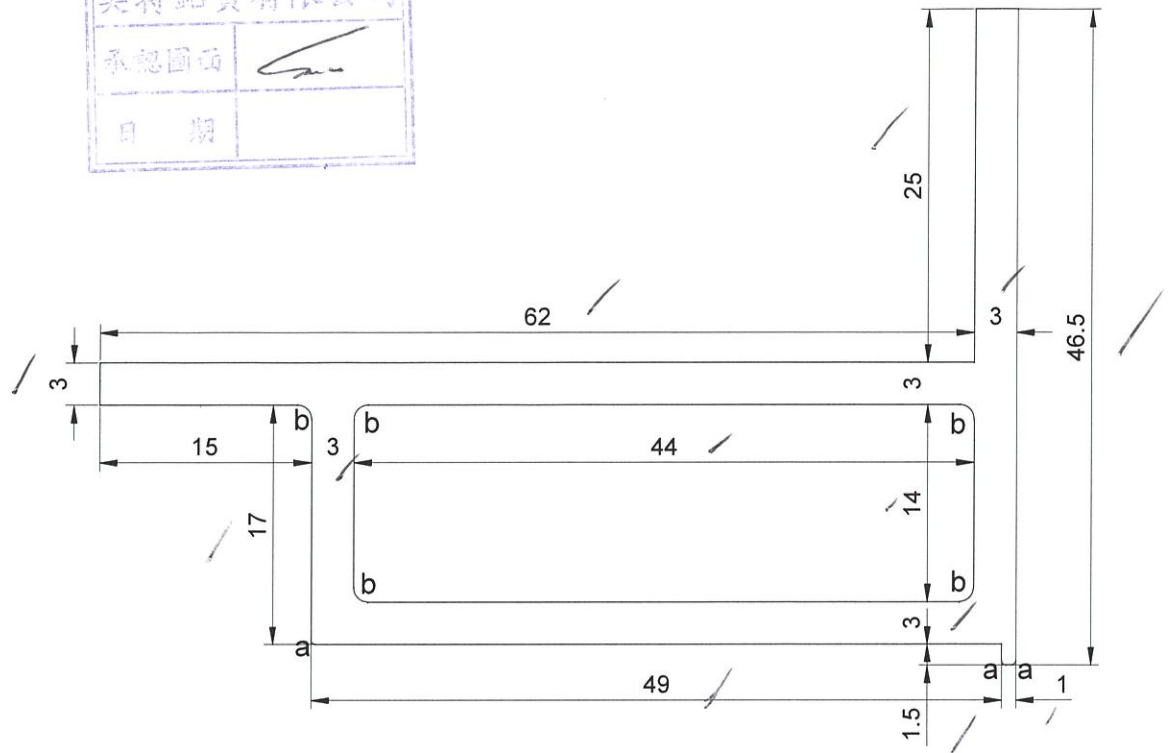
233.



(016) GC 包

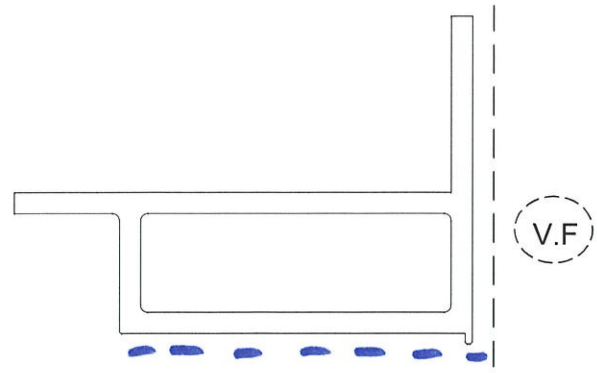
	DRAWING NO.	REV.	TITLE
	GC3 X81290		

美特鋁質有限公司  
承認圖面  
日期



SCALE 2:1

美特鋁質有限公司  
圖面  
期



SCALE 1:1

APPROVED :

6063-T6  
Unspec. Radius: R0.5

- 1. Important dimension: \*
- 2. Referenced dimension: ( )

a=R0.3  
b=R1.0  
v=R0.5XDP0.5

SECTIONAL AREA	506.52	ADDITIONAL TOLERANCE	DATE	REVISION			
WEIGHT	1.372	Thickness ± 0.1 mm	01/03/2022	NO.	DATE	NAME	DESCRIPTION
PERIMETER	336.468	Flatness 0.1 /25mm width	SCALE				
V.F.	48.5	Straightness 0.3 /300mm	1 : 1				
		Twist 0.5° /300 mm max	DRAWN				
		Angularity ± 1.0 degree	CHECK				

96.5



(D18) GC 接頂接



MIDI ALUMINIUM FABRICATOR LTD.

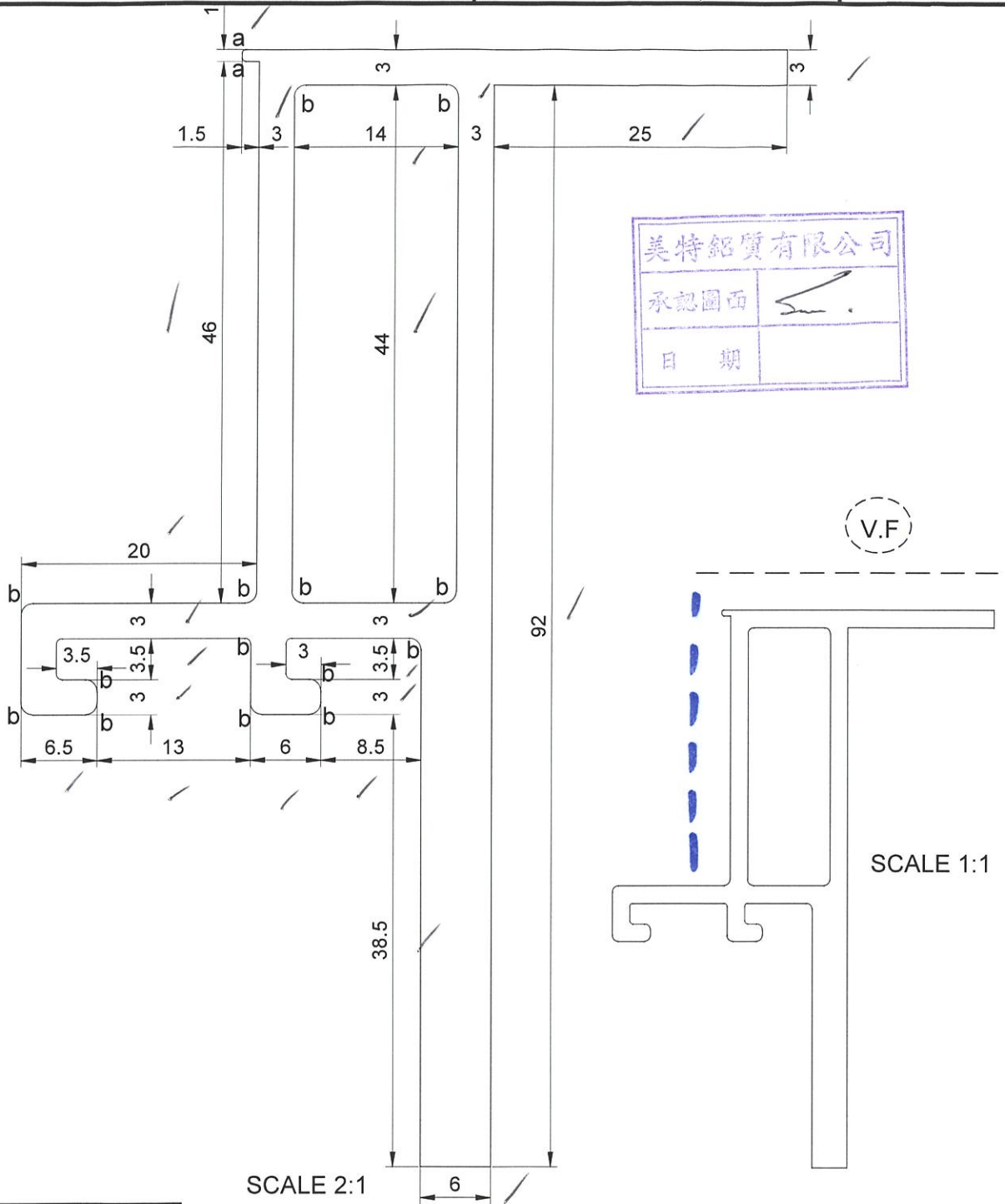
DRAWING NO.

REV.

TITLE

GC4

X86292



美特鋁質有限公司  
承認圖面  
日期

SCALE 2:1

6063-T6  
Unspec. Radius: R0.5

1. Important dimension: \*  
2. Referenced dimension: ( )

a=R0.3  
b=R1.0  
v=R0.5XDP0.5

APPROVED :

SECTIONAL AREA	mm <sup>2</sup>	849.02
WEIGHT	KG/M	2.3
PERIMETER	mm	471.09
V.F.	mm	91.0

ADDITIONAL TOLERANCE	
Thickness	± 0.1 mm
Flatness	0.1 /25mm width
Straightness	0.3 /300mm
Twist	0.5° /300 mm max
Angularity	± 1.0 degree

DATE	01/03/2022
SCALE	1 : 1
DRAWN	-
CHECK	-

REVISION			
NO.	DATE	NAME	DESCRIPTION

138









企特角鋁五 (P24)



MIDI ALUMINIUM FABRICATOR LTD.

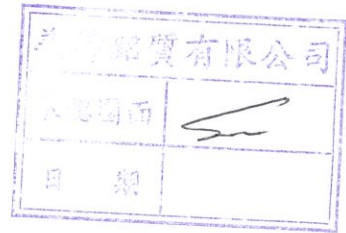
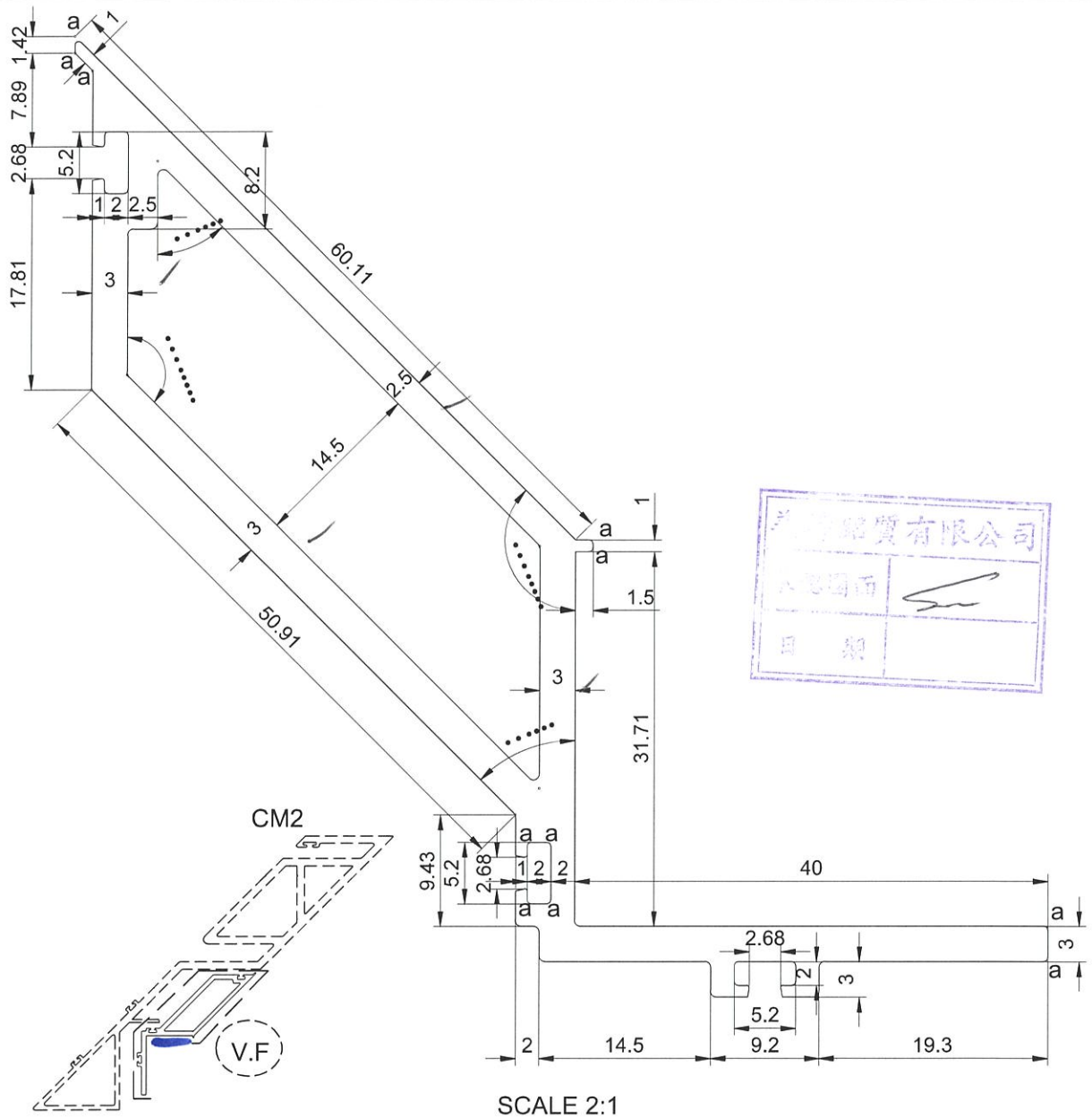
DRAWING NO.

SS

REV.

X 8629X

TITLE



SCALE 2:1

SCALE 1:4

APPROVED :

6063-T5

Unspec. Radius: R0.5

Unspec. Thickness: 5.0

Exposed Surface: — —

1. Important dimension: \*

2. Referenced dimension: ( )

a=R0.3

b=R1.0

v=R0.3XDP0.3

SECTIONAL AREA	mm <sup>2</sup>	ADDITIONAL TOLERANCE	DATE	REVISION			
				NO.	DATE	NAME	DESCRIPTION
615.23		Thickness	08/03/2022				
WEIGHT	KG/M	Flatness	SCALE				
1.67		/25mm width	1 : 1				
PERIMETER	mm	Straightness	DRAWN				
444.35		/300mm	-				
V.F.	mm	Twist	CHECK				
237.08		/300 mm max					
		Angularity					
		degree					

269.08

浴室攪料 D25



MIDI ALUMINIUM FABRICATOR LTD.

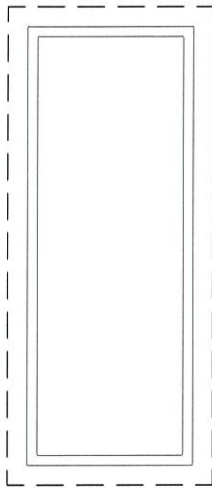
DRAWING NO.

A5 X86298

REV.

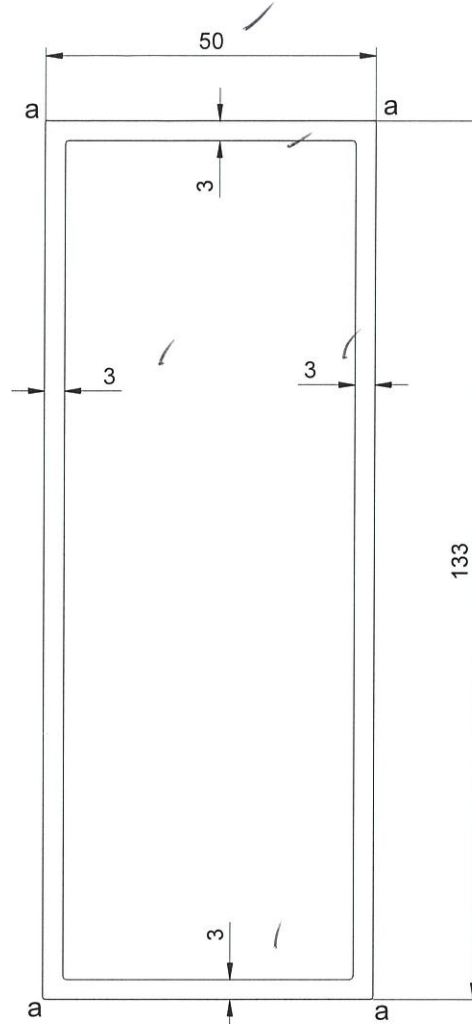
TITLE

美特鋁質有限公司	
承認圖面	
日期	



SCALE 1:2

V.F



SCALE 1:1

APPROVED :

6063-T6

Unspec. Radius: R0.5

Unspec. Thickness: 5.0

Exposed Surface: — —

1. Important dimension: \*

2. Referenced dimension: ( )


a=R0.3

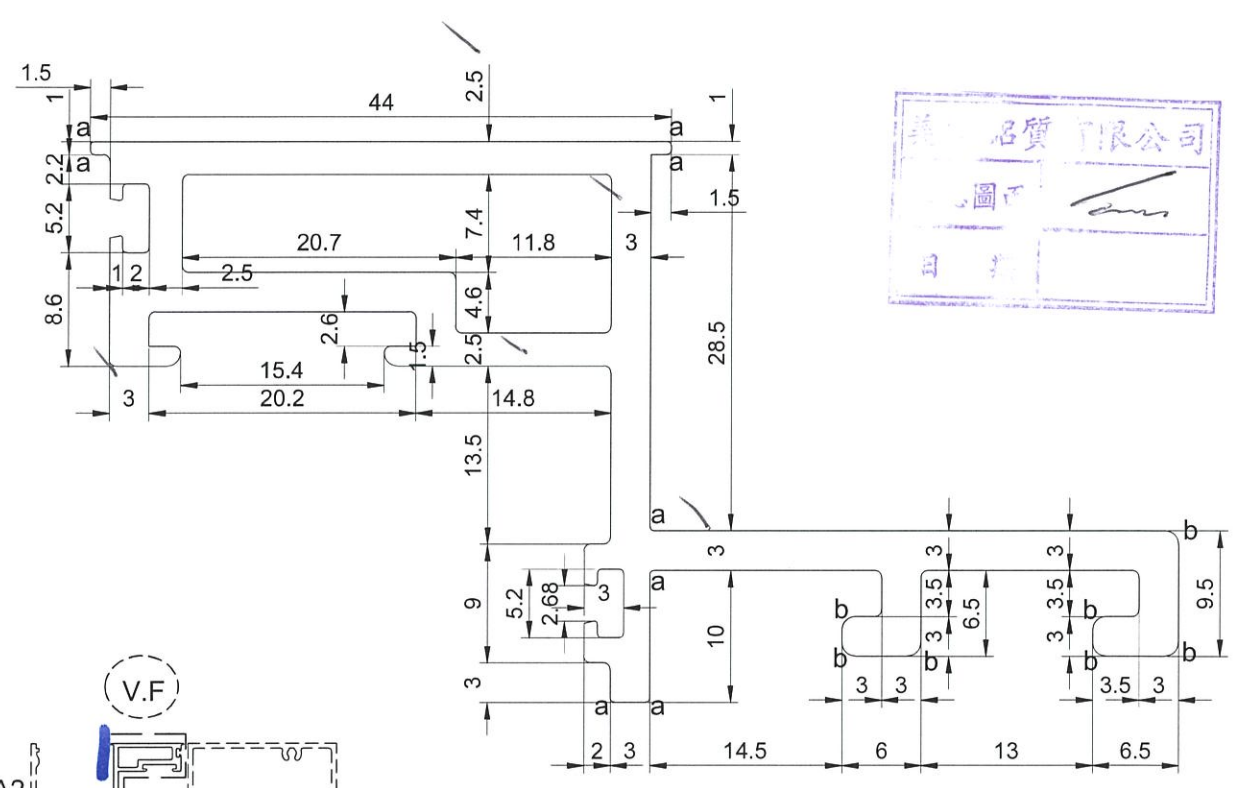
b=R1.0

v=R0.3XDP0.3

SECTIONAL AREA mm <sup>2</sup>	ADDITIONAL TOLERANCE	DATE	REVISION			
			NO.	DATE	NAME	DESCRIPTION
1062.1 1123.9	Thickness mm	08/03/2022				
WEIGHT 2.88 3.05 KG/M	Flatness /25mm width	SCALE 1 : 1				
PERIMETER 706.6 720.6 mm	Straightness /300mm	DRAWN -				
V.F. 366.0	Twist /300 mm max	CHECK				
	Angularity degree					

高玉揚 (SY)

 MIDI ALUMINIUM FABRICATOR LTD.	DRAWING NO. <del>S4</del> X86299	REV. TITLE
--	-------------------------------------	---------------



SCALE 2:1

SCALE 1:4

APPROVED :

6063-T6<sup>5</sup>  
 Unspec. Radius: R0.5  
 Unspec. Thickness: 5.0  
 3.0

Exposed Surface: — —  
 1. Important dimension: \*  
 2. Referenced dimension: ()

a=R0.3  
 b=R1.0  
 v=R0.3XDP0.3

SECTIONAL AREA		ADDITIONAL TOLERANCE		DATE	REVISION			
574.87	mm <sup>2</sup>	Thickness	mm	08/03/2022	NO.	DATE	NAME	DESCRIPTION
1.56	KG/M	Flatness	/25mm width	SCALE				
413.38	mm	Straightness	/300mm	DRAWN				
166.86	mm	Twist	/300 mm max	CHECK				
		Angularity	degree					

196.86

57.5 Cap. (A13)



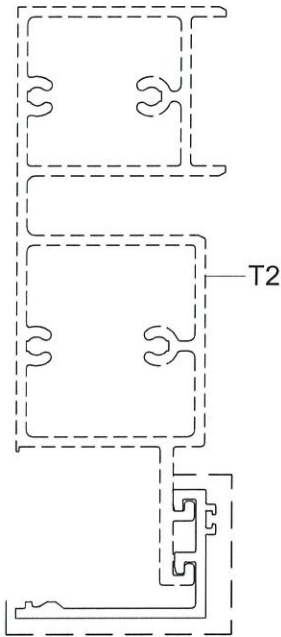
MIDI ALUMINIUM FABRICATOR LTD.

DRAWING NO.

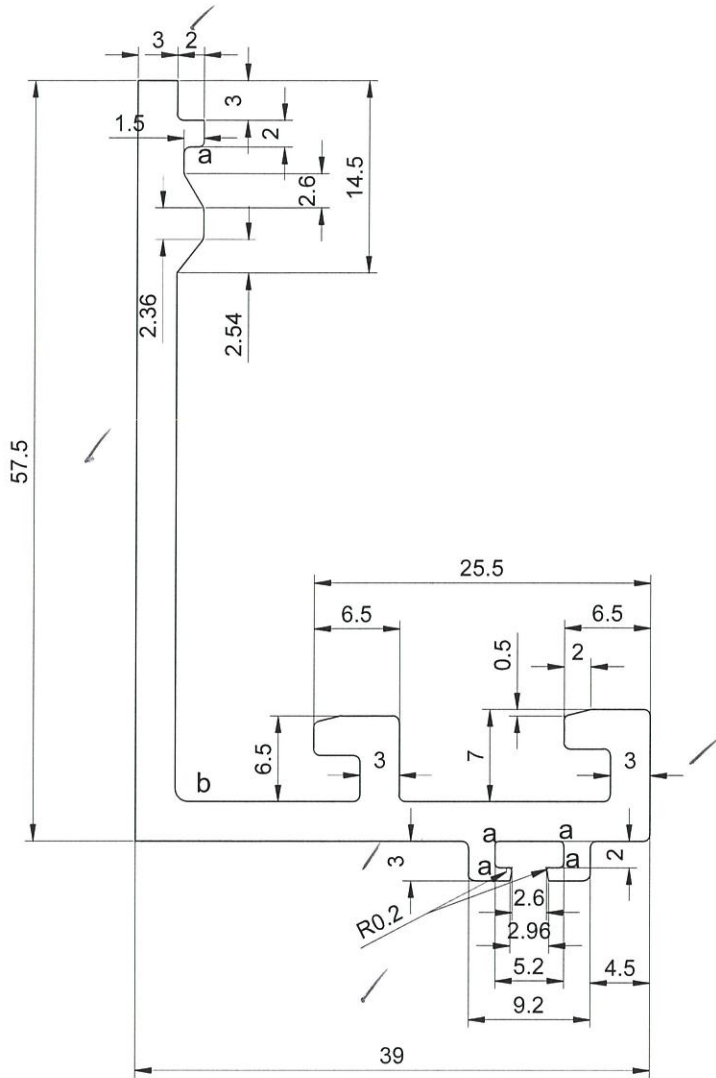
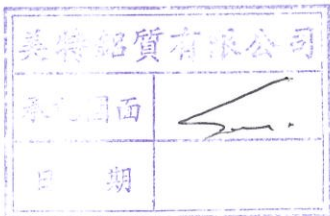
GAS X82300

REV.

TITLE



V.F. SCALE 1:2



SCALE 2:1

APPROVED :

6063-T6  
Unspec. Radius: R0.5  
Unspec. Thickness: 3.0

Exposed Surface: — —

a=R0.3  
b=R1.0  
v=R0.3XDP0.3

- 1. Important dimension: \*
- 2. Referenced dimension: ()

SECTIONAL AREA	mm <sup>2</sup>	ADDITIONAL TOLERANCE	DATE	REVISION			
				NO.	DATE	NAME	DESCRIPTION
371.23		Thickness ± 0.1 mm	09/03/2022				
WEIGHT	KG/M	Flatness 0.1 /25mm width	SCALE				
1.01		Straightness 0.3 /300mm	1 : 1				
PERIMETER	mm	Twist 0.5° /300 mm max	DRAWN				
249.57		Angularity ± 1.0 degree	CHECK				
V.F.	mm						
124.80							

60 Cap (A14)



MIDI ALUMINIUM FABRICATOR LTD.

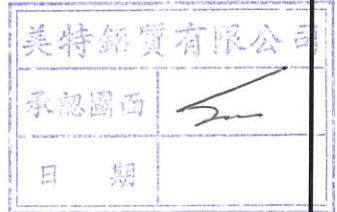
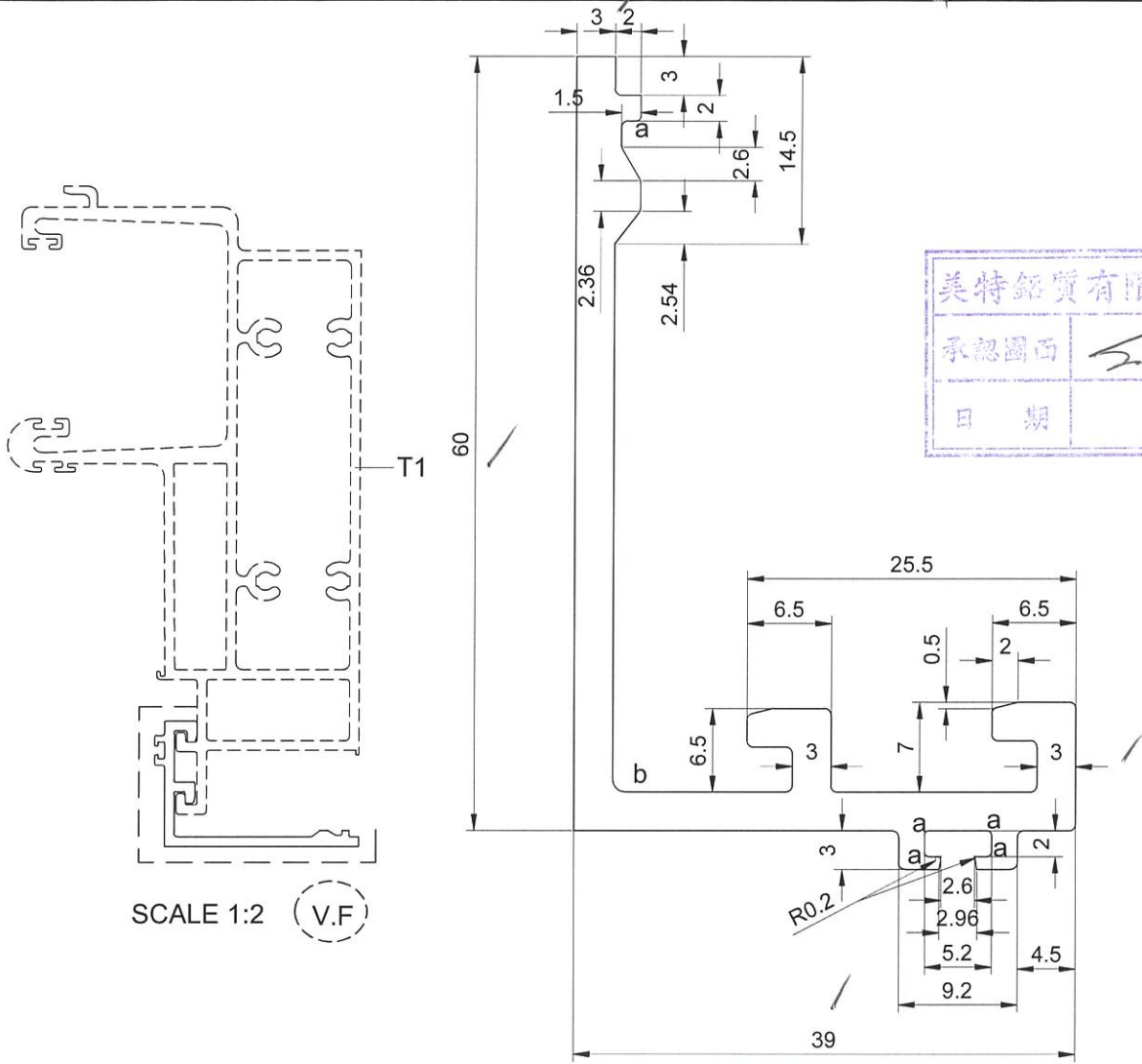
DRAWING NO.

GA4

REV.

x86301

TITLE



SCALE 1:2 (V.F.)

SCALE 2:1

APPROVED :

75  
6063-J6  
Unspec. Radius: R0.5  
Unspec. Thickness: 3.0

Exposed Surface: — —  
1. Important dimension: \*  
2. Referenced dimension: ()  
a=R0.3  
b=R1.0  
v=R0.3XDP0.3

SECTIONAL AREA		ADDITIONAL TOLERANCE		DATE	REVISION			
378.73	mm <sup>2</sup>	Thickness	± 0.1	09/03/2022	NO.	DATE	NAME	DESCRIPTION
1.025	KG/M	Flatness	0.1 /25mm width	SCALE				
254.57	mm	Straightness	0.3 /300mm	1 : 1				
V.F.	mm	Twist	0.5° /300 mm max	DRAWN				
127.30	mm	Angularity	± 1.0 degree	CHECK				