



美特鋁質有限公司

MIDI ALUMINIUM FABRICATOR LTD.



工程指示 / 要求簡箋 ENGINEER INSTRUCTIONS(E.I.)

工程指示編號:	EI- 4650	修改版本:	A
	HK-0749		
工程編號:	J 858	工程名稱:	將軍澳日出康城11
收件人:	Maggie/ 生統/ 王良	發件人:	Karina Lee
工程項目:	Curtain Wall +Glass Cladding 鋁料 模圖 畫圖 新增18個 (X86302-X86319)	日期:	10/05/2022

<input type="checkbox"/> 原合約工程包	<input type="checkbox"/> 原合約工程加 / 減賬 QT-	<input type="checkbox"/> 新工程報價 QT-
---------------------------------	--	------------------------------------

信件批核號碼/圖紙參考編號:	批核模具圖紙編號:
客戶指示附件:	管理內部批簽署:

<input type="checkbox"/> 初步鋁料 B.M.	<input type="checkbox"/> 加工拆圖, 然後生產	<input type="checkbox"/> 尺寸表
<input type="checkbox"/> 正式鋁料 B.M.	<input type="checkbox"/> 技術上資料/指示	<input type="checkbox"/> 報價
<input type="checkbox"/> 配件 B.M.	<input type="checkbox"/> 樣辦或貨品說明書	<input type="checkbox"/> 分判合約
<input type="checkbox"/> 其他:		

內容: A版: 新增 Curtain Wall 模圖 共18個, 開新模圖 (X86302, X86303, X86304, X86305, X86306, X86307, X86308, X86309, X86310, X86311, X86312, X86313, X86314, X86315, X86316, X86317, X86318, X86319)
完成上列要求日期: 12/05/2022

國內

<input type="checkbox"/> 生產技術總監	<input type="checkbox"/> 連附件	<input type="checkbox"/> 技術部	<input type="checkbox"/> 連附件	<input type="checkbox"/> 生產部	<input type="checkbox"/> 連附件
<input type="checkbox"/> 採購部	<input type="checkbox"/> 連附件	<input checked="" type="checkbox"/> 生產統籌部	<input checked="" type="checkbox"/> 連附件	<input type="checkbox"/> 報關組	<input type="checkbox"/> 連附件
<input checked="" type="checkbox"/> 質檢部	<input checked="" type="checkbox"/> 連附件	<input type="checkbox"/> 會計部	<input type="checkbox"/> 連附件	<input type="checkbox"/> 機械設計部	<input type="checkbox"/> 連附件
<input type="checkbox"/> 其他:					

香港

<input type="checkbox"/> 行政部	<input type="checkbox"/> 連附件	<input type="checkbox"/> 會計部	<input type="checkbox"/> 連附件	<input type="checkbox"/> 統籌部	<input type="checkbox"/> 連附件	<input type="checkbox"/> 工程部	<input type="checkbox"/> 連附件
<input checked="" type="checkbox"/> 採購部	<input checked="" type="checkbox"/> 連附件	<input type="checkbox"/> QS部	<input type="checkbox"/> 連附件	<input type="checkbox"/> 地盤管理	<input type="checkbox"/> 連附件	<input type="checkbox"/> 維修部	<input type="checkbox"/> 連附件

*發件人簽署:	*組別成員批核簽署:
傳遞編號:	項目經理簽署:

水枱套芯 (DP)

MIDI ALUMINIUM FABRICATOR LTD.

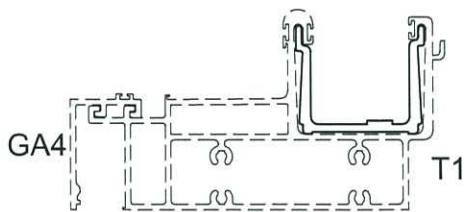
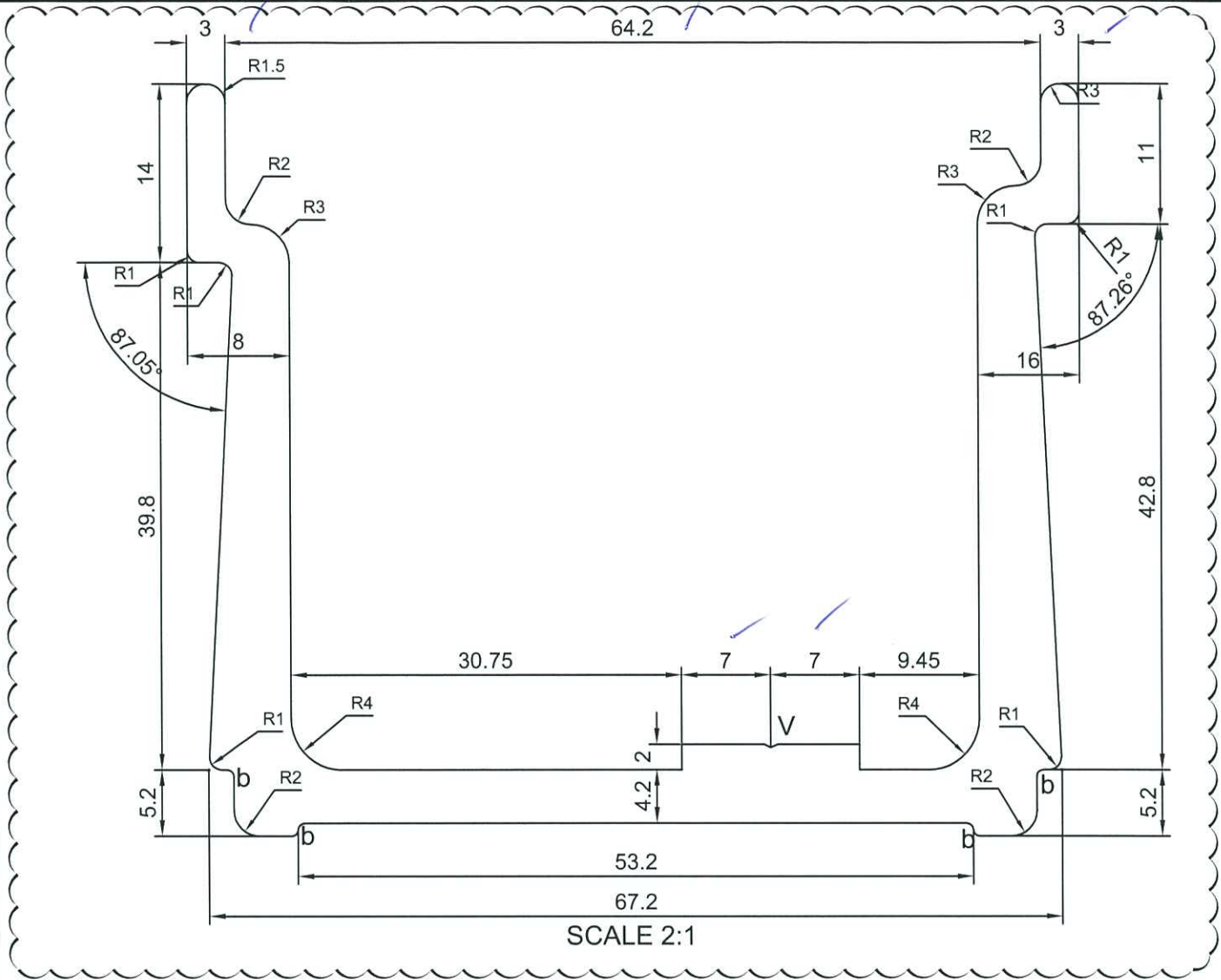
DRAWING NO.

GS1 X86303

REV.

A

TITLE



SCALE 1:4

NO V.F

美特鋁質有限公司
承認圖面
日期 10/05/2022

APPROVED :

6061-T6

Unspec. Radius: R0.5
Unspec. Thickness: 5.0

Exposed Surface: — —

1. Important dimension: *
2. Referenced dimension: ()

a=R0.3
b=R1.0
v=R0.3XDP0.3

SECTIONAL AREA	mm ²	ADDITIONAL TOLERANCE	DATE	REVISION			
				NO.	DATE	NAME	DESCRIPTION
861.31		Thickness	08/03/2022				
WEIGHT	KG/M	Flatness	SCALE				
		/25mm width	1 : 1				
PERIMETER	mm	Straightness	DRAWN				
		/300mm	-				
V.F.	mm	Twist	CHECK				
		/300 mm max					
		Angularity					
		degree					

死准 轉角.

(A8)



MIDI ALUMINIUM FABRICATOR LTD.

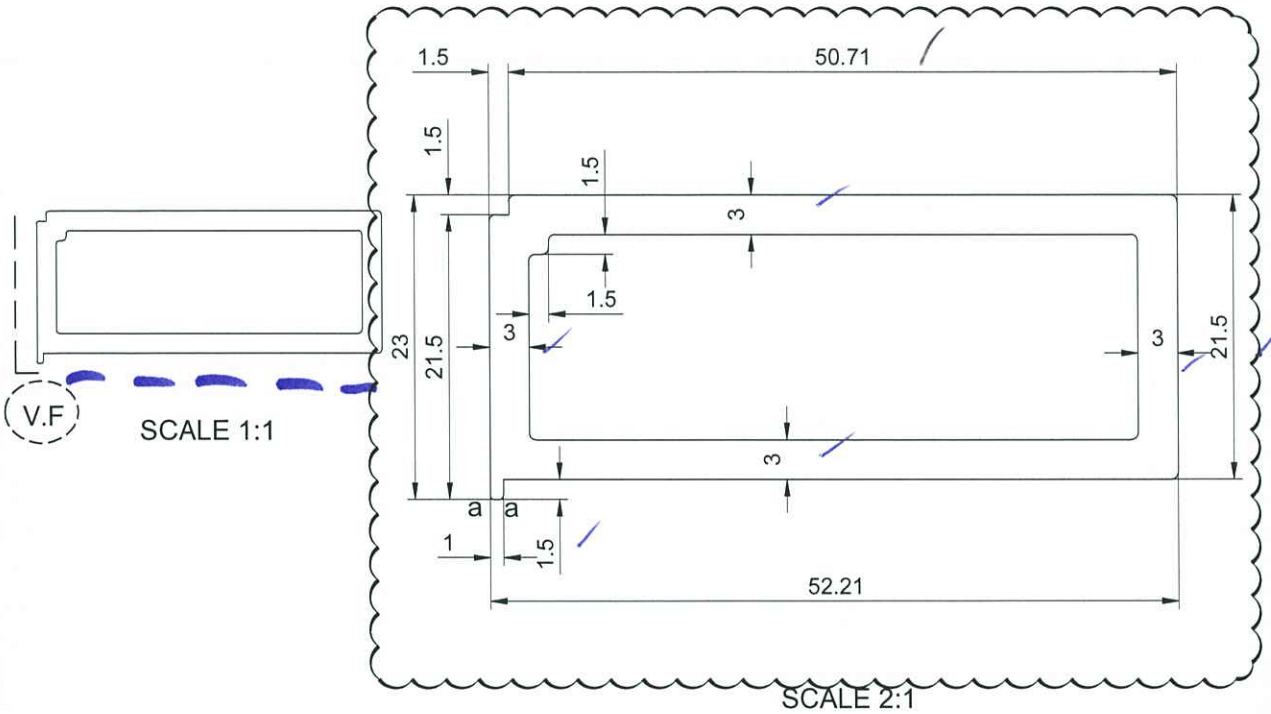
DRAWING NO.

REV.

TITLE

-A6 X 86304

A



美特鋁質有限公司
承認圖面
日期 16/05/2022

APPROVED :

6063-T5

Unspec. Radius: R0.5

Unspec. Thickness: 3.0

Exposed Surface: — —

1. Important dimension: *

2. Referenced dimension: ()

a=R0.3

b=R1.0

v=R0.3XDP0.3

SECTIONAL AREA		ADDITIONAL TOLERANCE		DATE	REVISION			
407.72	mm ²	Thickness	± 0.1 mm	09/03/2022	NO.	DATE	NAME	DESCRIPTION
1.10	KG/M	Flatness	0.1 /25mm width	SCALE				
271.43	mm	Straightness	0.3 /300mm	DRAWN				
23.00	mm	Twist	0.5° /300 mm max	CHECK				
		Angularity	± 1.0 degree					

75.21

2x槽板

(A10)



MIDI ALUMINIUM FABRICATOR LTD.

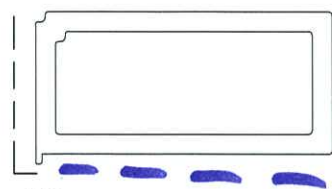
DRAWING NO.

AZ X86305

REV.

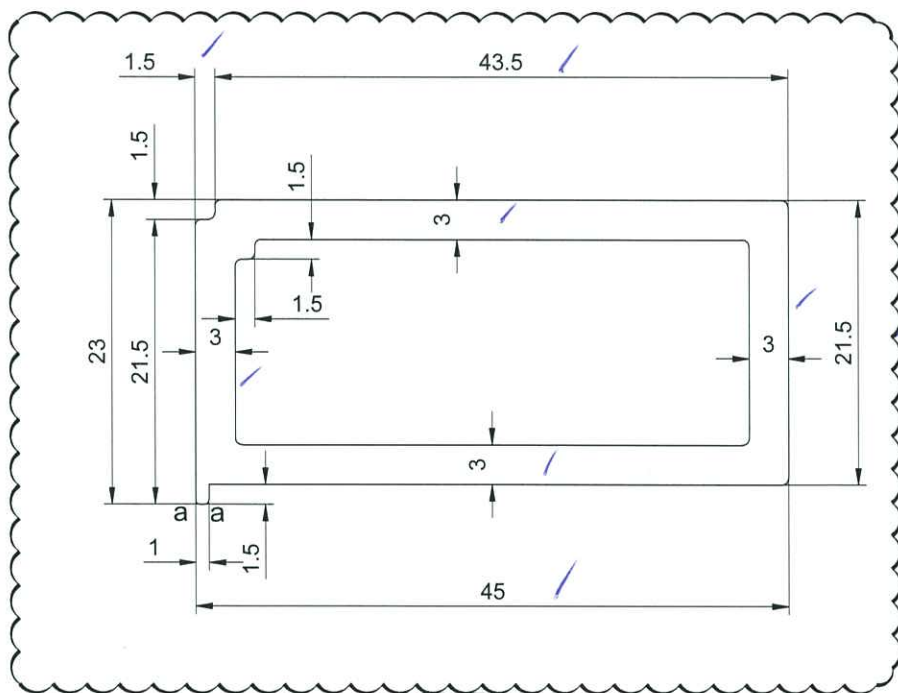
A

TITLE



V.F.

SCALE 1:1



SCALE 2:1



APPROVED :

6063-T5

Unspec.Radius: R0.5

Unspec.Thickness:3.0

Exposed Surface: — —

1.Important dimension: *

2.Referenced dimension: ()

a=R0.3

b=R1.0

v=R0.3XDP0.3

SECTIONAL AREA	mm ²	ADDITIONAL TOLERANCE	DATE	REVISION			
364.52		Thickness ± 0.1 mm	09/03/2022	NO.	DATE	NAME	DESCRIPTION
WEIGHT	KG/M	Flatness 0.1 /25mm width	SCALE				
0.98		Straightness 0.3 /300mm	1 : 1				
PERIMETER	mm	Twist 0.5° /300 mm max	DRAWN				
242.38		Angularity ± 1.0 degree	CHECK				
V.F.	mm						
23.00							

08

Feature D12



MIDI ALUMINIUM FABRICATOR LTD.

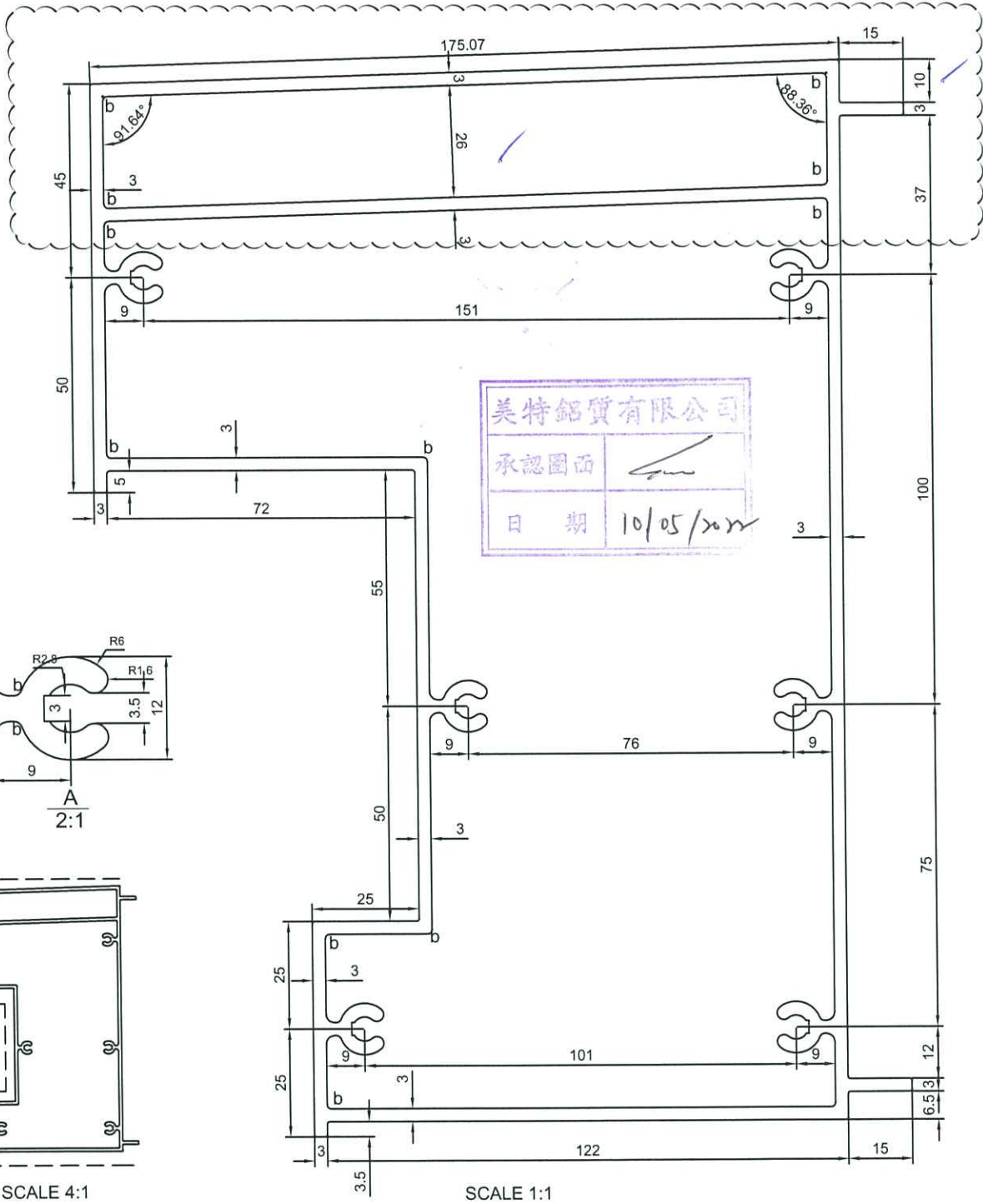
DRAWING NO.

F1 x 86307

REV.

A

TITLE



美特鋁質有限公司
承認圖面
日期 10/05/2020

APPROVED :

6063-T6

Unspec. Radius: R0.5

Unspec. Thickness: 3.0

Exposed Surface: ---

1. Important dimension: *

2. Referenced dimension: ()


a=R0.3

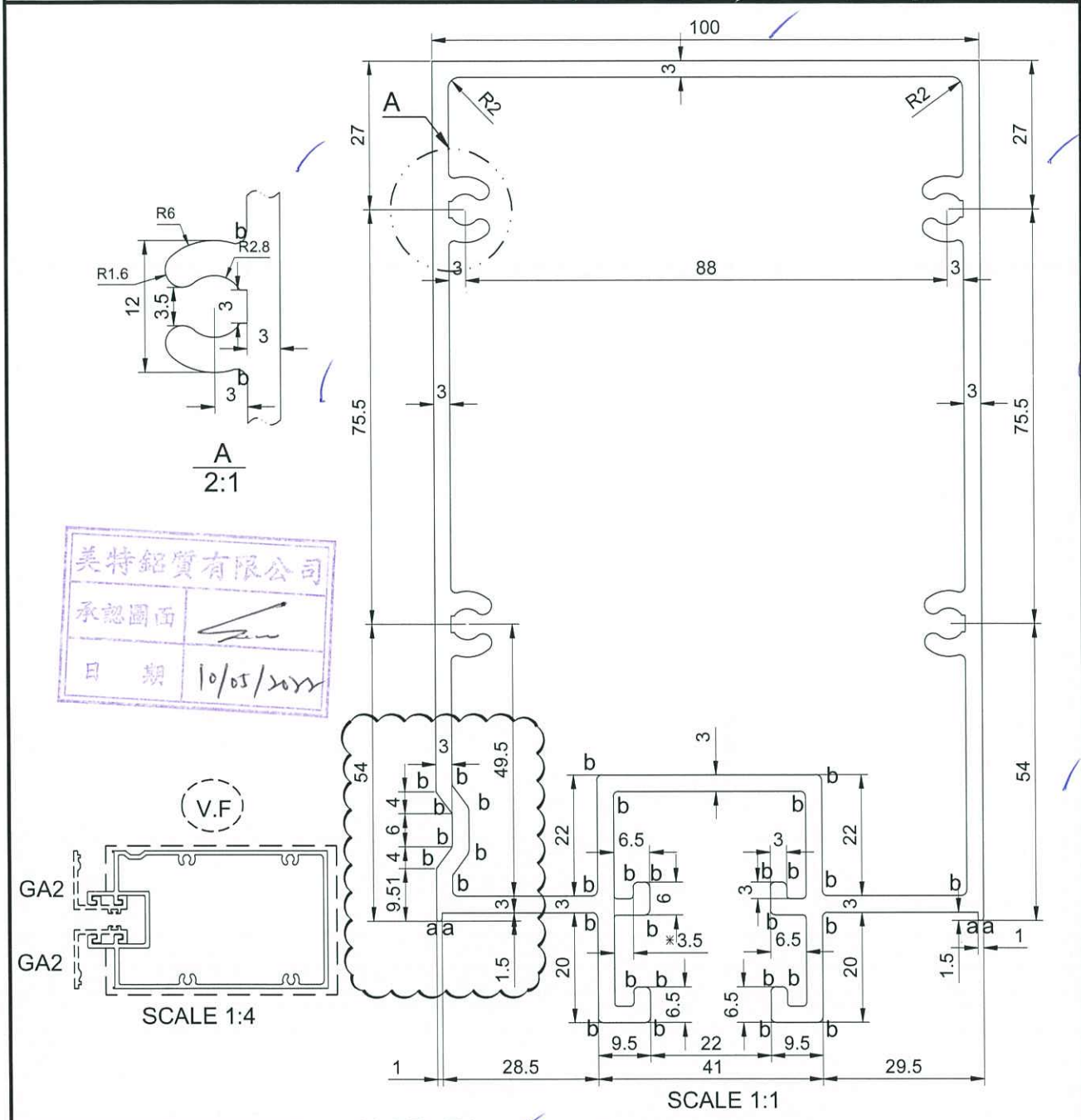
b=R1.0

v=R0.3XDP0.3

SECTIONAL AREA	mm ²	ADDITIONAL TOLERANCE	DATE	REVISION			
				NO.	DATE	NAME	DESCRIPTION
3745.70		Thickness ± mm	09/01/2020				
WEIGHT	KG/M	Flatness /25mm width	SCALE				
10.15		Straightness /300mm	1 : 1				
PERIMETER	mm	Twist /300 mm max	DRAWN				
2448.55		Angularity ± degree	CHECK				
V.F.	mm						
657							

Feator 中模 (P13)

 MIDI ALUMINIUM FABRICATOR LTD.	DRAWING NO. T6 X86308 REV. A	TITLE
--	--	-------

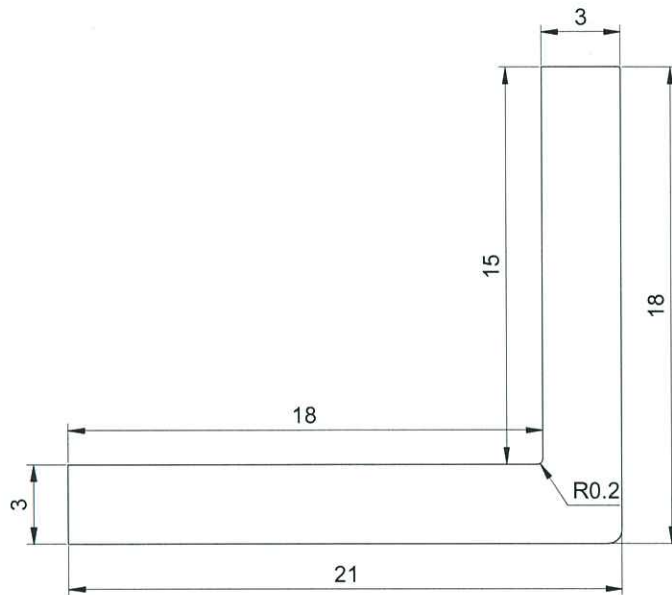


APPROVED : 6063-T6 Exposed Surface: — — a=R0.3
 Unspec. Radius: R0.5 1. Important dimension: * b=R1.0
 Unspec. Thickness: 3.0 2. Referenced dimension: () v=R0.3XDP0.3

SECTIONAL AREA		ADDITIONAL TOLERANCE		DATE	REVISION			
2073.35	mm ²	Thickness	mm	08/03/2022	NO.	DATE	NAME	DESCRIPTION
5.62	KG/M	Flatness	/25mm width	SCALE				
1341.74	mm	Straightness	/300mm	DRAWN				
V.F.	mm	Twist	/300 mm max	CHECK				
475.41	mm	Angularity	degree					

鋁板角

 MIDI ALUMINIUM FABRICATOR LTD.	DRAWING NO.	REV.	TITLE
	B12	X86315	



SCALE 4:1

美特鋁質有限公司	
承認圖面	
日期	10/05/2022

APPROVED :

6063-T5

Unspec. Radius: R0.5
Unspec. Thickness: 5.0

Exposed Surface: — —

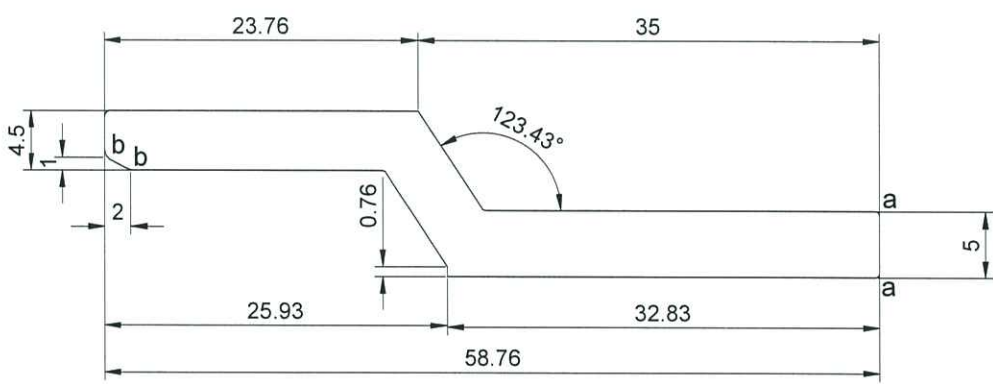
1. Important dimension: *
2. Referenced dimension: ()

a=R0.3
b=R1.0
v=R0.3XDP0.3

SECTIONAL AREA	mm ²	ADDITIONAL TOLERANCE	DATE	REVISION			
				NO.	DATE	NAME	DESCRIPTION
108		Thickness	08/03/2022				
WEIGHT	KG/M	Flatness	SCALE				
0.29		/25mm width	1 : 1				
PERIMETER	mm	Straightness	DRAWN				
77.7		/300mm	-				
V.F.	mm	Twist	CHECK				
		/300 mm max					
		Angularity					
		degree					

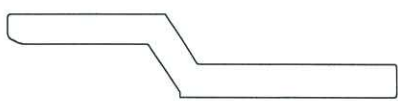
OK 轉角 interlock

 MIDI ALUMINIUM FABRICATOR LTD.	DRAWING NO.	REV.	TITLE
	BC01 X86316		



SCALE 2:1

美特鋁質有限公司
承認圖面
日期 10/05/2020



SCALE 1:1
NO V.F

APPROVED : 6063-T5 Exposed Surface: ----
 Unspec.Radius: R0.5 1.Important dimension: * a=R0.3
 Unspec.Thickness:1.8 2.Referenced dimension:() b=R1.0
 e=C0.5XDP0.5

SECTIONAL AREA	mm ²	ADDITIONAL TOLERANCE	DATE	REVISION			
				NO.	DATE	NAME	DESCRIPTION
298.9		Thickness ± 0.1 mm	09/01/2020				
WEIGHT	KG/M	Flatness 0.1 /25mm width	SCALE				
0.81		Straightness 0.3 /300mm	1 : 1				
PERIMETER	mm	Twist 0.5° /300 mm max	DRAWN				
134.3		Angularity ± 1.0 degree	-				
V.F.	mm		CHECK				
-							

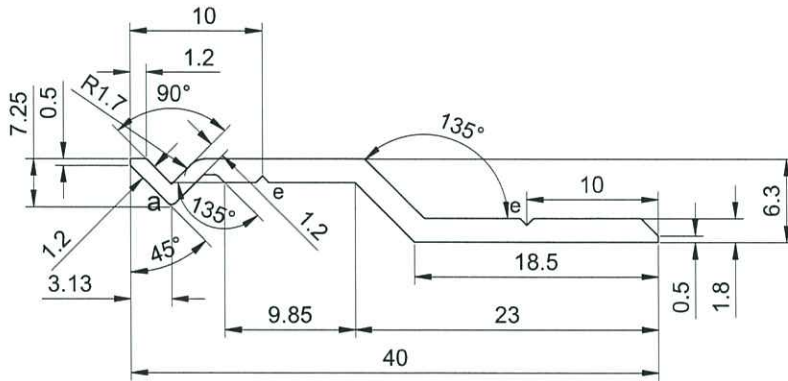
室內收口之訂扣碼



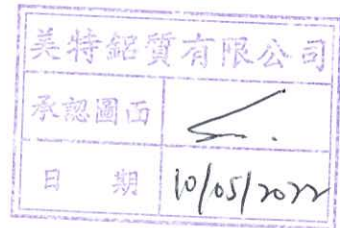
MIDI ALUMINIUM FABRICATOR LTD.

DRAWING NO. REV.
BC03 X86317

TITLE



SCALE 2:1



SCALE 1:1
NO V.F

APPROVED :

6063-T5

Unspec.Radius: R0.5
Unspec.Thickness: 5.0

Exposed Surface: — —

1.Important dimension: *
2.Referenced dimension:()

a=R0.3
b=R1.0
v=R0.3XDP0.3

SECTIONAL AREA	mm ²	ADDITIONAL TOLERANCE	DATE	REVISION			
				NO.	DATE	NAME	DESCRIPTION
71.75		Thickness	08/03/2022				
WEIGHT	KG/M	Flatness	SCALE				
		/25mm width	1 : 1				
PERIMETER	mm	Straightness	DRAWN				
		/300mm	-				
V.F.	mm	Twist	CHECK				
		/300 mm max					
		Angularity					
		degree					

美特鋁質有限公司



MIDI ALUMINIUM FABRICATOR LTD.

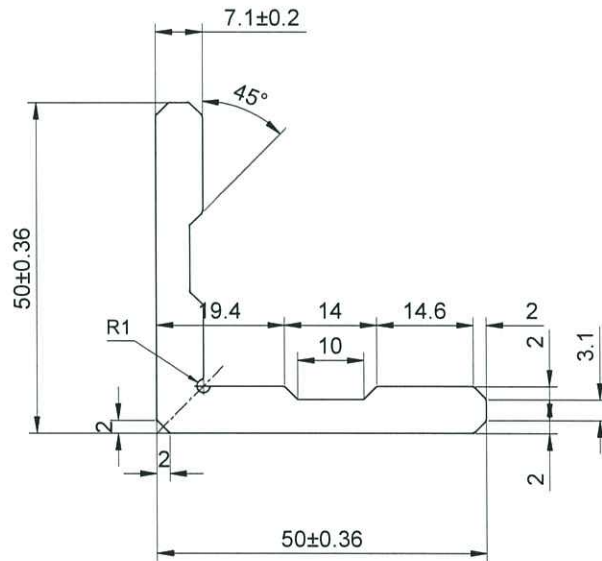
DRAWING NO.

REV.

TITLE

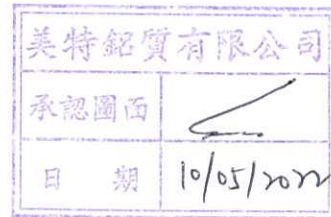
CORNER BLOCK

X 81318



SCALE 1:1

NO V.F



APPROVED :

6063-T5

Unspec.Radius: R0.5

Unspec.Thickness: 5.0

Exposed Surface: — —

1.Important dimension: *

2.Referenced dimension:()

a=R0.3

b=R1.0

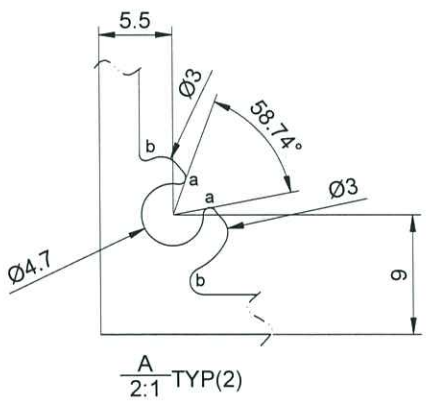
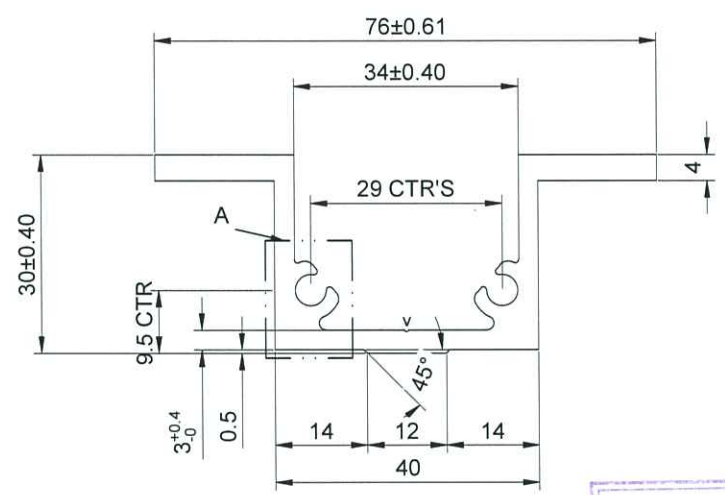
v=R0.3XDP0.3

SECTIONAL AREA	mm ²	ADDITIONAL TOLERANCE	DATE	REVISION			
				NO.	DATE	NAME	DESCRIPTION
599.14		Thickness	08/03/2022				
WEIGHT	KG/M	Flatness	SCALE				
1.623		/25mm width	1 : 1				
PERIMETER	mm	Straightness	DRAWN				
199.63		/300mm	-				
V.F.	mm	Twist	CHECK				
		/300 mm max					
		Angularity					
		degree					

A
D54

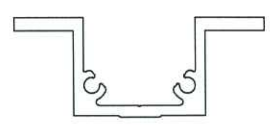
OK. 船板加片.

	DRAWING NO.	REV.	TITLE
	-SS6 X86319		



SCALE 1:1

美特鋁質有限公司
承認圖面
日期 10/05/2022



NO V.F
SCALE 1:2

APPROVED :

6063-T5
Unspec. Radius: R0.5
Unspec. Thickness: 8.0

- 1. Important dimension: *
- 2. Referenced dimension: ()

a=R0.3
b=R1.0
v=R0.5XDP0.5

SECTIONAL AREA	mm ²	ADDITIONAL TOLERANCE	DATE	REVISION			
				NO.	DATE	NAME	DESCRIPTION
492.84		Thickness ± 0.1 mm	09/03/2022				
WEIGHT	KG/M	Flatness 0.1 /25mm width	SCALE				
1.335		Straightness 0.3 /300mm	1 : 1				
PERIMETER	mm	Twist 0.5° /300 mm max	DRAWN				
287.33		Angularity ± 1.0 degree	-				
V.F.	mm		CHECK				
0.00							