



工程指示 / 要求簡箋(E.I.)

工程指示編號：EI / 4635 / 22      修改版次：  
 工程編號      : J - 858      工程名稱      : 將軍澳日出康城 11  
 工程項目      : 售樓處 拉手 2 隻 2017-D2A  
 收件人      : 生統 / 楊榮輝      發件人      : Ant Yeung      日期 : 28/04/2022

要求提供 /  確認 事項 :

- |                                    |                                     |                               |
|------------------------------------|-------------------------------------|-------------------------------|
| <input type="checkbox"/> 初步鋁料 B.M. | <input type="checkbox"/> 加工拆圖，然後生產  | <input type="checkbox"/> 尺寸表  |
| <input type="checkbox"/> 正式鋁料 B.M. | <input type="checkbox"/> 技術上資料 / 指示 | <input type="checkbox"/> 報價   |
| <input type="checkbox"/> 配件 B.M.   | <input type="checkbox"/> 樣辦或貨品說明書   | <input type="checkbox"/> 分判合約 |

內容 :

請速速寄出 2 隻拉手 2017-D2A 香港寫字樓 1/F 阿源 收

如 J858 的拉手有到貨 請優先使用 J858 色 (H433072)

售樓處地址: 奧海城一期 SHOP#101, 聯絡人: Ken, 電話: 90629019

謝謝

請在 2022.05.06 前完成上列要求。

附: 1 頁

以上項目為:

- 原合約工程包       原合約工程加 / 減賬       新工程報價

原因: -

分發東莞各部門 :

- |  |  |  |  |
|--|--|--|--|
| <input type="checkbox"/> 生產技術總監 <input type="checkbox"/> 連附件 | <input type="checkbox"/> 技術部 <input type="checkbox"/> 連附件              | <input type="checkbox"/> 生產部 <input type="checkbox"/> 連附件    | <input type="checkbox"/> 機械設計部 <input type="checkbox"/> 連附件                    |
| <input type="checkbox"/> 採購部 <input type="checkbox"/> 連附件    | <input checked="" type="checkbox"/> 生產統籌部 <input type="checkbox"/> 連附件 | <input type="checkbox"/> 小羅 & 清 <input type="checkbox"/> 連附件 |  |
| <input type="checkbox"/> 質檢部 <input type="checkbox"/> 連附件    | <input type="checkbox"/> 會計部 <input type="checkbox"/> 連附件              | <input type="checkbox"/> 報關組 <input type="checkbox"/> 連附件    | <input checked="" type="checkbox"/> 其他 <u>楊榮輝</u> <input type="checkbox"/> 連附件 |

分發其他分判 :

- 濱  連附件

分發香港各部門 :

- 行政部  連附件     會計部  連附件     統籌部  連附件     工程部地盤科文  連附件  
 採購部  連附件     QS 部  連附件     維修部  連附件     其他 \_\_\_\_\_  連附件

傳遞編號 :

HK 0705122

發件人簽署 :

項目經理簽署 :

# Gammon

## MATERIALS SUBMISSION FORM

Form RLP/TSF

Project Proposed Residential Development at TKOTL 70RP, Phase 11, Lohas Park, Tseung Kwan O, New Territories  
 Works Main Contract  
 Contract No. J3931  
 Ref. No. P19084NT/MS/MD/456 (Rev.0)  
 GECL Ref. J3931/304/D02767  
 Date 12 Feb 2022  
 To / Attn RLP / Mr. Kenneth Wong / Ms. Florence Cheung  
 Subject **Material Submission – Midi – Hardware for Precast & Insitu Window for Tower (MS08)**

We write to request this submission replied by:  RLP /  AECOM /  WSP /  Others  
 Anticipated date of response **26 Feb 2022**

We certify that the submission has been checked and is in full compliance with the Specification & Contract Documents, unless otherwise stated in the remarks.

Received by / / /

Received by RLP

  
 Matthew Wong MW/BK/JT/BN/HW/vh  
 For and on behalf of  
 Gammon Engineering & Construction Company Limited

- cc: wlv
- Mr. KS Lee / Mr. Teddy Wu /
- Mr. HF Au / Mr. Si Fung / Mr. Jedy Cheung
- MTRC (Site)  Mr. Tony Fan
- MTRC (STR)  Mr. Ricky Tang
- MTRC (E&M)  Mr. Anthony Lam
- MTRC (Cost & Prog)  Mr. Herbert Tsang / Mr. Ericson Lee /
- SKY CASTLE  Mr. Raymond / Mr. Kenneth Leung / Mr. Andy Chan
- AECOM  Mr. Henry Lo / Mr. Cole Li
- AECOM (Facade)  Ms. Monica Lee / Ms. Phoebe Chung /
- Mr. Frank Ko
- WSP  Mr. Simon Kwan / Mr. Tommy Leung
- ADI (LANDSCAPE)  Mr. Walter So / Mr. Kenji Ho
- MDL  Mr. Morly Law
- Bera  Mr. Keith Yim / Mr. Randolph Chan
- RE (AECOM)  Mr. Simon Tso / Mr. Ken Siu
- COV  Mr. Marcus Koo
- ESI  ESI
- WSP (Safety & Risk)  Mr. Chris Tso / Mr. Louis Siu
- Ramboll  Mr. David Young
- Tin Lee  Mr. Eddie Kwok
- AEC  Mr. Andy Lai

Material / Work Description *	Hardware for window
Location	Precast alum. window, insitu alum. window
Brand Name	TungShing
Model / Reference No. *	1) Hinge: Heavy Duty 4 Bar Hinge 2021A Series - 14", 16", 18" for Side Hung Window 2) Handle(拉手) : 2017-D2A 3) Lock Fastener(扣碼) : TC903 4) Wedget(窗結) : 50-LC-04A 5) Lock Set Stages(鎖扣) : 201-10 6) S.S Roller Pin(窗鎖點) : (M-HD-2) 7) 鎖蓋 : 2035B
Country of Origin	China
Supplier Name	TungShing
Others (Color / Pattern, etc.) *	N/A
Material / Work Reference *	N/A
Specification Reference	N/A
Related Dwg. / A.I. Ref. *	N/A
Related BQ Reference	N/A
Submission Attachment	N/A
Sample	<input type="checkbox"/> N/A
Catalogue / Technical Data *	<input checked="" type="checkbox"/> Attached
Test Report / Certificate *	<input type="checkbox"/> N/A
Equipment Schedule	<input type="checkbox"/> N/A
Method Statement	<input type="checkbox"/> N/A
Installation Details	<input type="checkbox"/> N/A
Job Reference	<input type="checkbox"/> N/A
Remarks (To list deviations, if any)	* Delete as appropriate

Review Status / Comment

### RESPONSE TO TECHNICAL SUBMISSION

Date 22/2-2022  
 Comments REVIEW STATUS - B (APPROVAL COMMENT)  
 - COLOUR SHALL MATCH APPROVED AL OF SILVER CHAMPAGNE COLOUR CLADDING OF CURTAIN WALL.

  
 RONALD LU & PARTNERS  
 For and on behalf of Ronald Lu & Partners (Hong Kong) Ltd.

Replied by SE / Date

Replied by BS / Date

Replied by / Date

- cc: wlv
- Mr. KS Lee / Mr. Teddy Wu /
- Mr. HF Au / Mr. Si Fung / Mr. Jedy Cheung
- MTRC (Site)  Mr. Tony Fan
- MTRC (STR)  Mr. Ricky Tang
- MTRC (E&M)  Mr. Anthony Lam
- MTRC (Cost & Prog)  Mr. Herbert Tsang / Mr. Ericson Lee /
- SKY CASTLE  Mr. Raymond / Mr. Kenneth Leung / Mr. Andy Chan
- AECOM  Mr. Henry Lo / Mr. Cole Li
- AECOM (Facade)  Ms. Monica Lee / Ms. Phoebe Chung /
- Mr. Frank Ko
- WSP  Mr. Simon Kwan / Mr. Tommy Leung
- ADI (LANDSCAPE)  Mr. Walter So / Mr. Kenji Ho
- MDL  Mr. Morly Law
- Bera  Mr. Keith Yim / Mr. Randolph Chan
- RE (AECOM)  Mr. Simon Tso / Mr. Ken Siu
- COV  Mr. Marcus Koo
- ESI  ESI
- WSP (Safety & Risk)  Mr. Chris Tso / Mr. Louis Siu
- Ramboll  Mr. David Young
- Tin Lee  Mr. Eddie Kwok
- AEC  Mr. Andy Lai

No review is made of detail dimensions/quantities.  
 The submission is reviewed for general compliance with the design intent only.  
 Any comments or amendments required shall not be deemed to be variation.  
 The review does not release the Contractor from his responsibilities to comply with contract requirements.  
 For resubmission, the Contractor has to highlight or cloud those revision areas in the shop drawing for review.

Legend: A (No objection) C (Amendment & resubmission required)  
 B (No objection, subject to comments as noted) D (Rejected & resubmission required)

w/e

- THE SUBMITTED MATERIALS SHALL BE IN COMPLIANCE WITH THE CONTRACT SPECIFICATION AND RELEVANT STATUTORY REQUIREMENTS

- THE SUBMITTED MATERIALS SHALL TALLY W/ THE APPROVED DETAIL OF SINO'S JOB REF - GRAND CENTRAL.

- TOP HUNG LIMIT STAY O/S. V.15D-200. - SUBJECT TO SINO'S COMMENT.

PLEASE ENSURE NO SCRATCHING FINISH AT HANDLE CONSIDERING GLASS BARRIER / MULLION / END POST... ETC.



美特鋁質有限公司  
MIDI ALUMINIUM FABRICATOR LTD.

Our ref. MC/40805/858

1<sup>st</sup> December, 2021

Gammon Construction Company Limited  
22/F Tower 1, The Quayside,  
77 Hoi Bun Road,  
Kwun Tong, Kowloon.

By Email & Hand

Attn.: Mr. Matthew Wong

Dear Sir,

**Re: Design, Supply and Installation of Curtain Wall, Glass Wall, Aluminium Window, Aluminium Cladding, Aluminium Louvres and Glass Balustrade Nominated Sub-Contract at T.K.O.T.L. 70 RP, Phase 11, LOHAS Park, Tseung Kwan O, N.T.**  
**Submission of Revised Sample of Hardware for Precast & Insitu Window(MS08)**

As per the comment from 1st sample submission, we would like to submit the revised 1 set of hardware sample for Precast alum. window & Insitu Alum. Window for your review and comment.

Brand: TungShing

- A/B?
- ✓ 1.) Hinge: Heavy Duty 4 Bar Hinge 2021A Series - 14", 16", 18" for Side Hung Window
  - ✓ 2.) Handle(拉手): 2017-D2A
  - ✓ 3.) Lock Fastener(扣碼): TC903 ✓
  - ✓ 4.) Wedge(窗拈): 50-LC-04A ✓
  - ✓ 5.) Lock Set Stage(鎖扣): 201-10 ✓
  - ✓ 6.) S.S Roller Pin(窗鎖點): (M-HD-2) ✓
  - ✓ 7.) 鎖盒: 2035B ✓

Remarks:

- 1.) As per comment, the handle was changed to Model: 2017-D2A
- 2.) The hardware were used in the previous project - Grand Central(凱滙), attached is the approved record for your reference.
- 3.) The sample will be delivered to site office directly

If you have any query, please feel free to contact us.

Thank you for your kind attention.

Yours faithfully,  
MIDI ALUMINIUM FABRICATOR LTD.

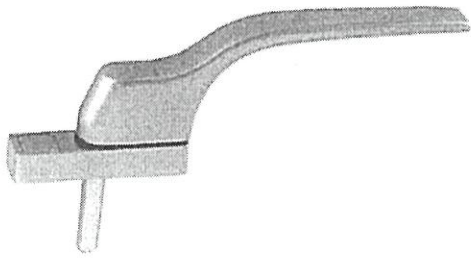
Francis Mau  
Managing Director

Encl - 9 page(s)

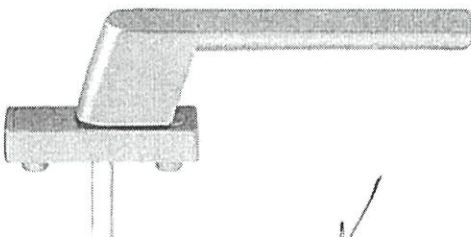
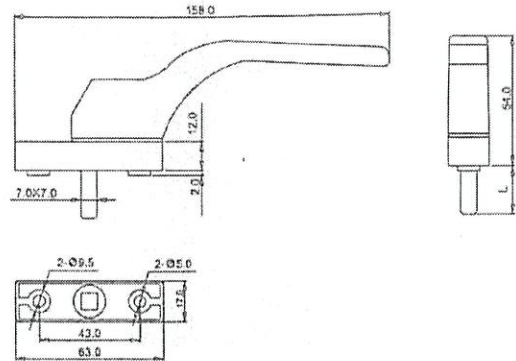
FM/MT/DW/JL/EL/yl



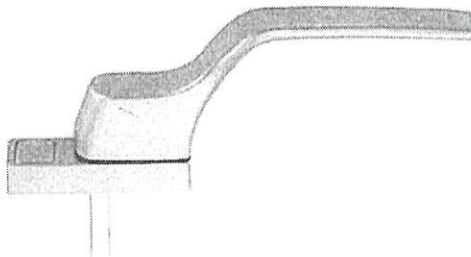
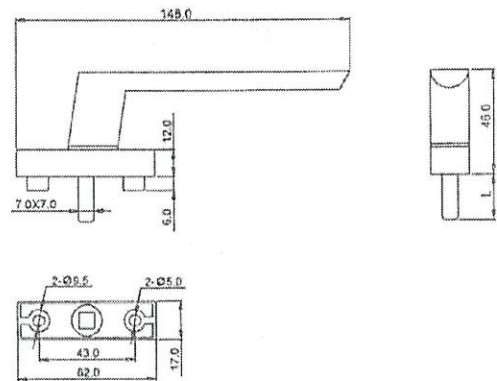
# Tung<sup>®</sup> 四方轴两点锁执手系列



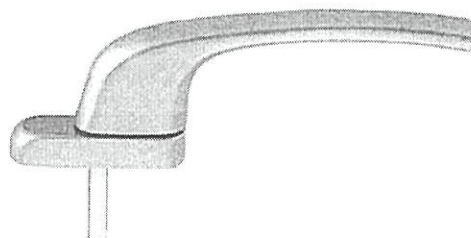
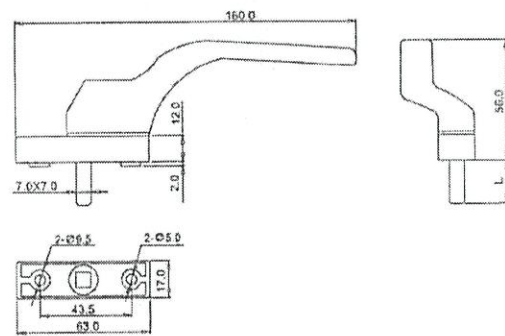
**2017-D2** L=可根据要求长度做



**2017-D2A** L=可根据要求长度做



**2017-D3分左右** L=可根据要求长度做



**2017-D9** L=可根据要求长度做

