



工程指示 / 要求簡箋 ENGINEER INSTRUCTIONS(E.I.)

工程指示編號:	EI- 4395	修改版本:	KL
	HK- <del>0910</del> 0908		
工程編號:	J 858	工程名稱:	將軍澳日出康城11
收件人:	生統	發件人:	Renee Lo
工程項目:	佛沙窗 大貨(T1-T3) 安裝扁撐巴 方案	日期:	06/06/2022

<input checked="" type="checkbox"/> 原合約工程包	<input type="checkbox"/> 原合約工程加 / 減賬 QT-	<input type="checkbox"/> 新工程報價 QT-
--------------------------------------------	------------------------------------------	------------------------------------

信件批核號碼/圖紙參考編號:	批核模具圖紙編號:
客戶指示附件:	管理內部批簽署:

<input type="checkbox"/> 初步鋁料 B.M.	<input checked="" type="checkbox"/> 加工拆圖, 然後生產	<input type="checkbox"/> 尺寸表
<input type="checkbox"/> 正式鋁料 B.M.	<input type="checkbox"/> 技術上資料/指示	<input type="checkbox"/> 報價
<input type="checkbox"/> 配件 B.M.	<input type="checkbox"/> 樣辦或貨品說明書	<input type="checkbox"/> 分判合約
<input type="checkbox"/> 其他:		

內容: 因應顧問要求, 修扇撐時, 請使用EI 4601 的扁撐巴, 修在生窗底橫料之下(SH-GR-02) 和生窗頂橫料(SH-GR-01) 請儘快加上, 謝謝 MOS 6/6/2022
完成上列要求日期: <del>04/19/2022</del>

國內

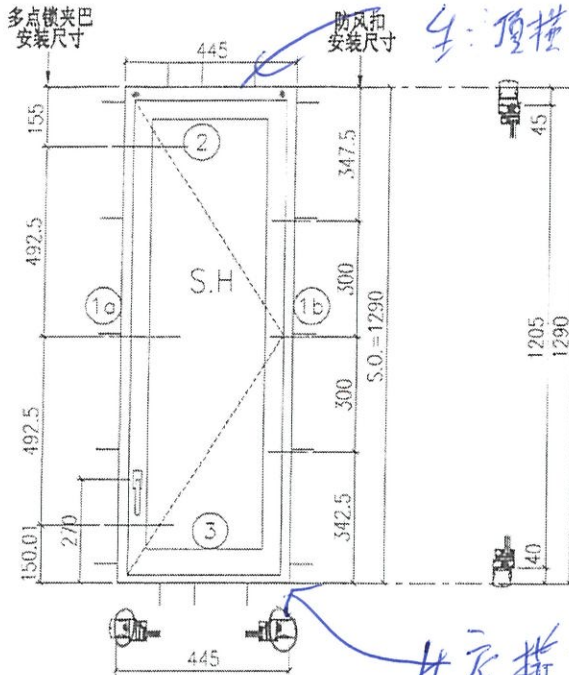
<input type="checkbox"/> 生產技術總監	<input type="checkbox"/> 連附件	<input type="checkbox"/> 技術部	<input type="checkbox"/> 連附件	<input type="checkbox"/> 生產部	<input type="checkbox"/> 連附件
<input type="checkbox"/> 採購部	<input type="checkbox"/> 連附件	<input checked="" type="checkbox"/> 生產統籌部	<input checked="" type="checkbox"/> 連附件	<input type="checkbox"/> 報關組	<input type="checkbox"/> 連附件
<input checked="" type="checkbox"/> 質檢部	<input checked="" type="checkbox"/> 連附件	<input type="checkbox"/> 會計部	<input type="checkbox"/> 連附件	<input type="checkbox"/> 機械設計部	<input type="checkbox"/> 連附件
<input checked="" type="checkbox"/> 其他: 粵仔 Doris 米洪					

香港

<input type="checkbox"/> 行政部	<input type="checkbox"/> 連附件	<input type="checkbox"/> 會計部	<input type="checkbox"/> 連附件	<input type="checkbox"/> 統籌部	<input type="checkbox"/> 連附件	<input type="checkbox"/> 工程部	<input type="checkbox"/> 連附件
<input type="checkbox"/> 採購部	<input type="checkbox"/> 連附件	<input type="checkbox"/> QS部	<input type="checkbox"/> 連附件	<input type="checkbox"/> 地盤管理	<input type="checkbox"/> 連附件	<input type="checkbox"/> 維修部	<input type="checkbox"/> 連附件

*發件人簽署:	*組別成員批核簽署:
傳遞編號:	項目經理簽署:

 美特铝质有限公司 MIDI Aluminium Fabricator Ltd.	工程號	J858	拆圖	SHAW	2022.02.15
	地盤	康城11期	復核		
名稱	50佛沙窗	顏色	批准		



生: 頂橫加上企料的  
 扇樞頂部向下20mm  
 開水線孔左右各一  
 SH  
 -GR01

修着椅位量

生: 底橫加上扇樞  
 SH GR02

- 注:
- 1) 生窗底料需開15mm去水缺口2處;
  - 2) 窗玉搭位6mm;
  - 3) 滴水線比窗玉每頭長1mm;
  - 4) TH窗需裝3組TC903扣碼;
  - 5) 用東城產2021-A12"扇樞;
  - 6) 安裝201-10多点鎖夾巴3個;
  - 7) 框橫料兩端需切1x2mm切口打磨;
  - 8) 摩爾16個;

参考J858-ST3/SA03詳細圖

序号	料号	名称	出荷	长度(mm)	支/幅	加工说明
1a	X86157	边企料		1290	1	X86157-03L
1b	X86157	边企料		1290	1	X86157-02R
2	X86161	生頂橫(空腔)	避位	387	1	X86161-01RR
3	X86158	生底橫	避位	379	1	X86158-01RA

窗玉用料

序号	料号	名称	出荷	长度(mm)	支/幅	加工说明
1a	X86163	窗玉企	45°斜口	1205	1	X86163-02B
1b	X86163	窗玉企	45°斜口	1205	1	X86163-03LA
2a	X86163	窗玉橫	45°斜口	385	1	X86163-01LB
2b	X86163	窗玉橫	45°斜口	385	1	X86163-01RB
3a	X86171	窗玉玻璃綫企	直口	1141	1	
3b	X86171	窗玉玻璃綫企	直口	1141	1	X86171-01B
4a	X86171	窗玉玻璃綫橫	直口	289	1	
4b	X86171	窗玉玻璃綫橫	直口	289	1	X86171-02A
5a	X86153	撞角碼	直口	45	1	J858-LM01L
5b	X86153	撞角碼	直口	45	1	J858-LM01F
5c	X86153	撞角碼	直口	45	2	J858-LM01
6	-	15x15x2鋁角	直口	140	8	J858-LM04
7	X86154	拉巴用壓板1	直口	80	3	J858-LM05
8	X86155	拉巴用壓板2	直口	15	6	J858-LM06
9	X86237	14x3拉巴	直口	120	1	J858-LM07D
10	X86237	14x3拉巴	直口	865	1	J858-LM07H

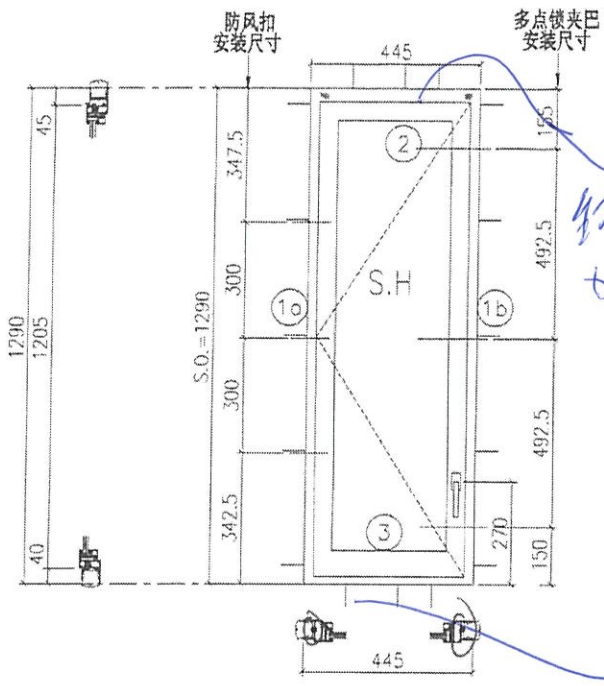
加工細則		
頂留	-	mm
底留	-	mm
企料底部開避位		mm
底橫料防水巴鋸去		mm
水線孔在企料	頂	底
按裝扣碼		
多点鎖夾巴型号:		
手柄型号:		
限位撐型号:		
T窗最大的開度:		
窗玉搭位數:		

窗款	寬度	高度	支/幅	撐長
SRH	385	1205	1	12"

大圖版次	寬度	本圖版	Rev. 3
		日期	03/30
	寬度(W)	高度(H)	幅數
J1A-E/B-T	445	1290	46
		轉層數	
圖号			

T1A-E-B1

美特铝质有限公司 MIDI Aluminium Fabricator Ltd.	工程號	J858	拆圖	SHAW	2022.02.15
	地盤	康城1期	復核		
名稱	50保潔窗	顏色	批准		



企料的  
頂部向下 20mm  
物理性 開水線孔左右各一  
加上扇撐吧 SK-GK01

修扇撐位置

修底橫 加上扇撐吧  
SK-GK02

- 注:
- 1) 生窗底料需開15mm去水缺口2個;
  - 2) 窗玉搭位6mm;
  - 3) 滴水線比窗玉每頭長1mm;
  - 4) T窗需裝3組TCS03扣碼;
  - 5) 用東城產2021-A12扇撐;
  - 6) 安裝201-10多点鎖夾巴3個;
  - 7) 框橫料兩端需切1x2mm切口打膠;
  - 8) 膠丸16個;

參考J858-ST3/SA04詳細圖

序号	料号	名称	出荷	长度(mm)	支/幅	加工说明
1a	X86157	边企料		1290	1	X86157-02L
1b	X86157	边企料		1290	1	X86157-03R
2	X86161	生頂橫 (空腔)	避位	387	1	X86157-01LB
3	X86158	生底橫	避位	379	1	X86158-01LA

窗玉用料

序号	料号	名称	出荷	长度(mm)	支/幅	加工说明
1a	X86163	窗玉企	45° 斜口	1205	1	X86163-02B
1b	X86163	窗玉企	45° 斜口	1205	1	X86163-03RB
2a	X86163	窗玉橫	45° 斜口	385	1	X86163-01LB
2b	X86163	窗玉橫	45° 斜口	385	1	X86163-01RB
3a	X86171	窗玉玻璃綫企	直口	1141	1	X86171-01A
3b	X86171	窗玉玻璃綫企	直口	1141	1	
4a	X86171	窗玉玻璃綫橫	直口	289	1	
4b	X86171	窗玉玻璃綫橫	直口	289	1	X86171-02A
5a	X86153	撞角碼	直口	45	1	J858-LM01L
5b	X86153	撞角碼	直口	45	1	J858-LM01R
5c	X86153	撞角碼	直口	45	2	J858-LM01
6	-	15x15x2鋁角	直口	140	8	J858-LM04
7	X86154	拉巴用頂板1	直口	80	3	J858-LM05
8	X86155	拉巴用頂板2	直口	15	6	J858-LM06
9	X86237	14x3拉巴	直口	120	1	J858-LM07D
10	X86237	14x3拉巴	直口	865	1	J858-LM07H

加工細則

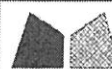
頂留	-	mm
底留	-	mm
企料底部開避位		mm
底橫料防水巴鋸去		mm
水線孔在企料---	頂	底
按裝扣碼		-
多点鎖夾巴型号:		-
手柄型号:		-
限位撐型号:		-
T窗最大的開度:		-
窗玉搭位數:		-

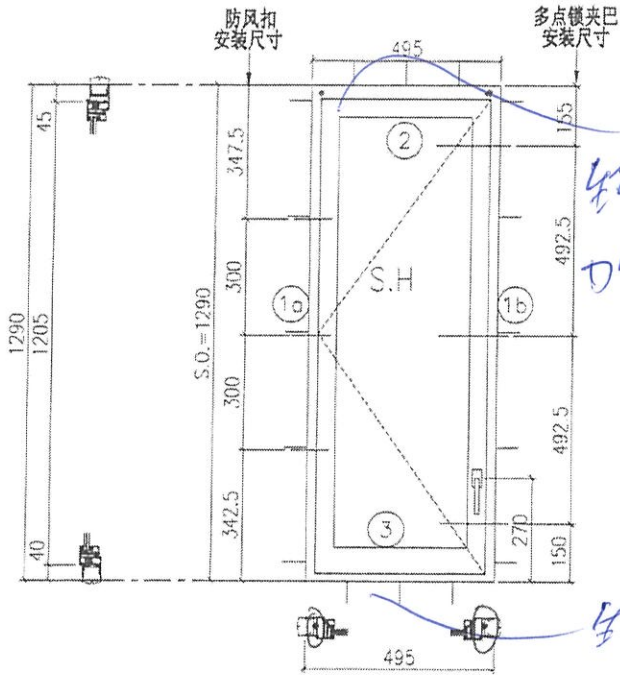
窗款	寬度	高度	隻/幅	撐長
SLH	385	1205	1	12"

大圖版次	寬度	本圖版	Rev. 2
		日期	03/30
窗号	寬度(W)	高度(H)	層數
T1B-C/B-1	445	1290	45
T1B-D/B-1	445	1290	45
T3B-D/B-1	445	1290	49

T1B-C-B1  
T1BD-B-1 T3D-B-1

 美特铝质有限公司 MIDI Aluminium Fabricator Ltd.	工程號	J858	拆圖	SHAW	2022.02.15
	地盤	康城1期	復核		
名稱	50佛沙窗	顏色	批准		



企料的  
頂部向下 20mm  
鎖橫 開水線孔 左右各一  
D上扇撐巴  
SH-GRO1

全底橫加上扇撐巴  
SH-GRO2

- 注:
- 1) 生窗底料需開15mm去水缺口2處;
  - 2) 窗玉擋位6mm;
  - 3) 滴水線比窗玉每項長1cm;
  - 4) TH窗需裝3組TC803扣碼;
  - 5) 用東城產2021-A12"扇撐;
  - 6) 安裝201-10多点锁夹巴3个;
  - 7) 框橫料兩端需切1x2mm切口打磨;
  - 8) 膠丸16个;

参考J858-ST3/SA05详细圖

序号	料号	名称	出荷	长度(mm)	支/幅	加工说明
1a	X86157	边企料		1290	1	X86157-02L
1b	X86157	边企料		1290	1	X86157-03R
2	X86161	生頂橫 (空腔)	避位	437	1	X86161-01LC
3	X86158	生底橫	避位	429	1	X86158-01LB

窗玉用料

序号	料号	名称	出荷	长度(mm)	支/幅	加工说明
1a	X86163	窗玉企	45° 斜口	1205	1	X86163-02B
1b	X86163	窗玉企	45° 斜口	1205	1	X86163-03RB
2a	X86163	窗玉橫	45° 斜口	435	1	X86163-01LC
2b	X86163	窗玉橫	45° 斜口	435	1	X86163-01RC
3a	X86171	窗玉玻璃綫企	直口	1141	1	X86171-01A
3b	X86171	窗玉玻璃綫企	直口	1141	1	
4a	X86171	窗玉玻璃綫橫	直口	339	1	
4b	X86171	窗玉玻璃綫橫	直口	339	1	X86171-02B
5a	X86153	撞角碼	直口	45	1	J858-1M01L
5b	X86153	撞角碼	直口	45	1	J858-1M01R
5c	X86153	撞角碼	直口	45	2	J858-1M01
6	-	15x15x2鋁角	直口	140	8	J858-1M04
7	X86154	拉巴用壓板1	直口	80	3	J858-1M05
8	X86155	拉巴用壓板2	直口	15	6	J858-1M06
9	X86237	14x3拉巴	直口	120	1	J858-1M07D
10	X86237	14x3拉巴	直口	865	1	J858-1M07H

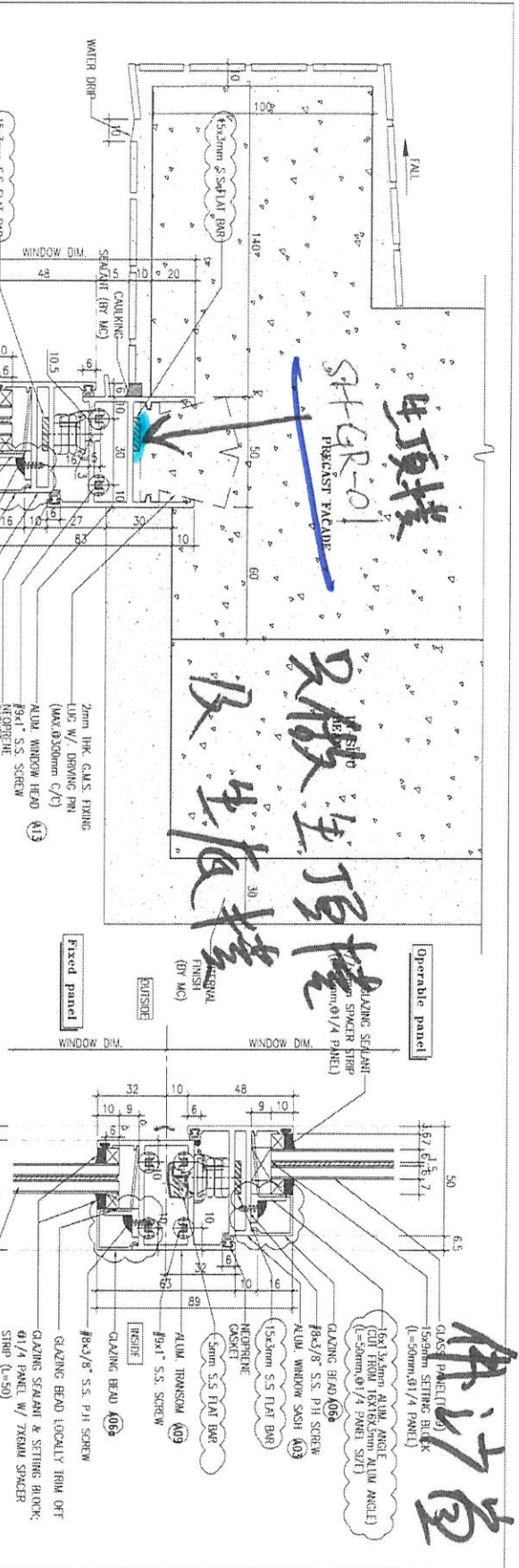
加工細則

頂留	-	mm
底留	-	mm
企料底部開避位		mm
底橫料防水巴鋸去		mm
水線孔在企料---	頂	底
按裝扣碼	-	
多点锁夹巴型号:	-	
手柄型号:	-	
限位撑型号:		
T窗最大的开度:		
窗玉擋位数:	-	

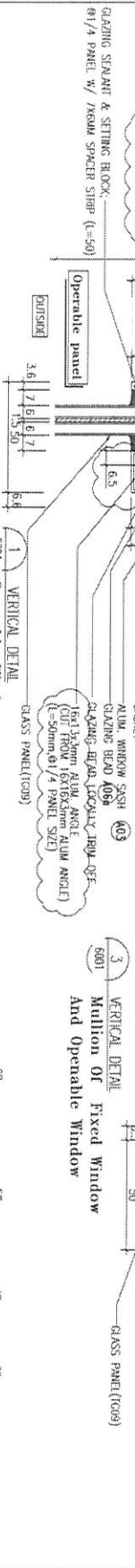
窗款	宽度	高度	支/幅	撑长
SLH	435	1205	1	14"

大图版次	宽度	本图版	Rev. 2
		日期	03/30
窗号	宽度(W)	高度(H)	幅数
T2B-D/B-1	495	1290	49
T3A-F/B-1	495	1290	49

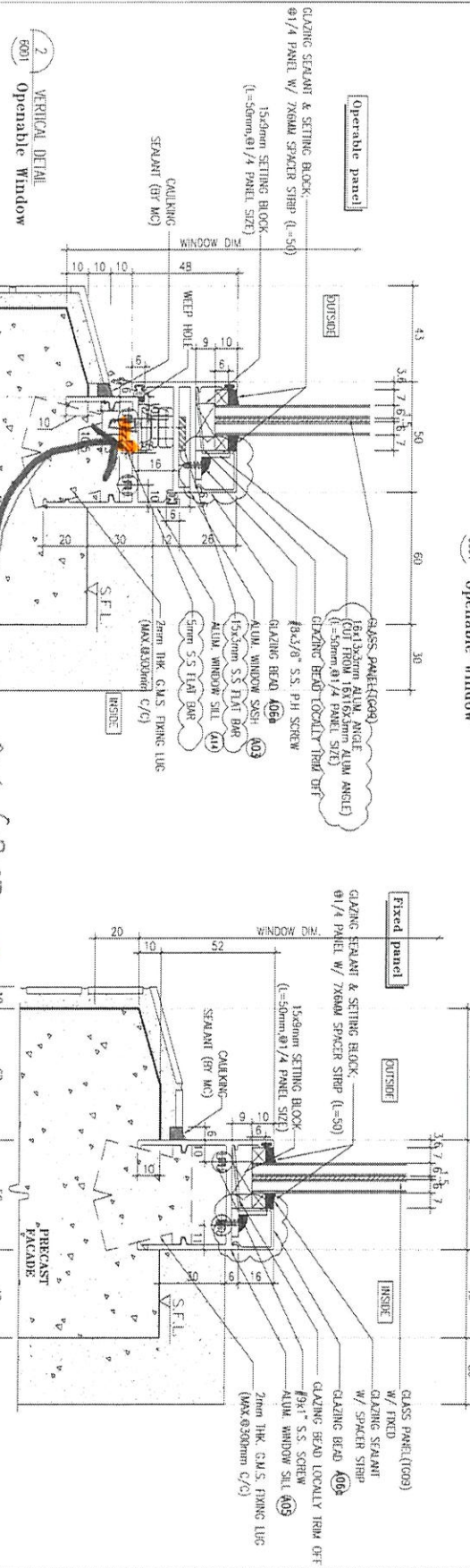
T2B-D-B-1  
T3A-F-B-1



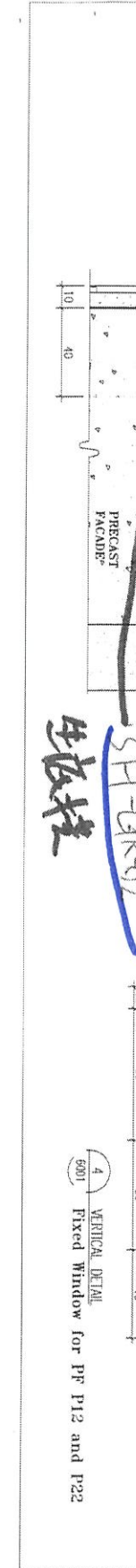
B.O. REF :  
 QLINE : 信和置业有限公司  
 Sino Land Company Limited  
 PROJECT : Ronald Yu & Partners (HK) Ltd.  
 吳元培建築師事務所(信和)有限公司  
 MAIN CONTRACTOR :  
 STRUCTURAL ENGINEER : Gammon  
 FACADE CONSULTANT : AECOM  
 AECOM



B.O. REF :  
 QLINE : 信和置业有限公司  
 Sino Land Company Limited  
 PROJECT : Ronald Yu & Partners (HK) Ltd.  
 吳元培建築師事務所(信和)有限公司  
 MAIN CONTRACTOR :  
 STRUCTURAL ENGINEER : Gammon  
 FACADE CONSULTANT : AECOM  
 AECOM

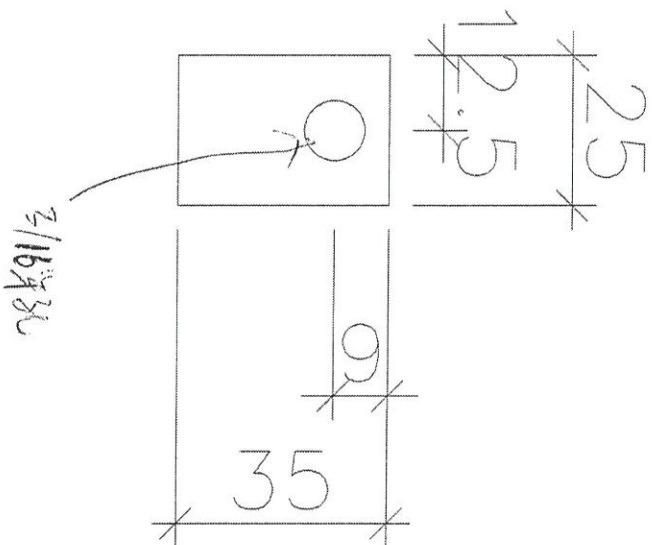
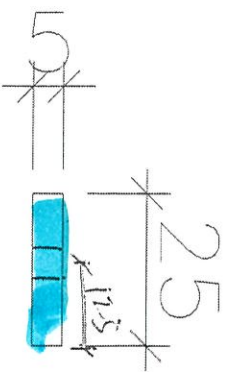


B.O. REF :  
 QLINE : 信和置业有限公司  
 Sino Land Company Limited  
 PROJECT : Ronald Yu & Partners (HK) Ltd.  
 吳元培建築師事務所(信和)有限公司  
 MAIN CONTRACTOR :  
 STRUCTURAL ENGINEER : Gammon  
 FACADE CONSULTANT : AECOM  
 AECOM



B.O. REF :  
 QLINE : 信和置业有限公司  
 Sino Land Company Limited  
 PROJECT : Ronald Yu & Partners (HK) Ltd.  
 吳元培建築師事務所(信和)有限公司  
 MAIN CONTRACTOR :  
 STRUCTURAL ENGINEER : Gammon  
 FACADE CONSULTANT : AECOM  
 AECOM

DATE : 01-OCT-21	SCALE : 1:2	
DRAWN BY : [Signature]	CHECKED BY : [Signature]	
THIS IS A PRELIMINARY DRAWING FOR INFORMATION ONLY. IT IS NOT TO BE USED FOR CONSTRUCTION. ANY DIMENSIONS NOT SHOWN SHALL BE AS PER THE ARCHITECT'S INTENT.		
PROJECT : PROPOSED RESIDENTIAL DEVELOPMENT AT TAOH TONG PHASE 11, LIGANG PARK, TISSING HAWN O, N.T.		
JOB NO. : J-628		
REVISIONS:		
NO.	DATE	DESCRIPTION
1	15-11-2021	ISSUED AS PER ARCHITECT COMMENT
2	15-11-2021	ISSUED AS PER ARCHITECT COMMENT
3	15-11-2021	ISSUED AS PER ARCHITECT COMMENT
4	15-11-2021	ISSUED AS PER ARCHITECT COMMENT
5	15-11-2021	ISSUED AS PER ARCHITECT COMMENT
6	15-11-2021	ISSUED AS PER ARCHITECT COMMENT
7	15-11-2021	ISSUED AS PER ARCHITECT COMMENT
8	15-11-2021	ISSUED AS PER ARCHITECT COMMENT
9	15-11-2021	ISSUED AS PER ARCHITECT COMMENT
10	15-11-2021	ISSUED AS PER ARCHITECT COMMENT
11	15-11-2021	ISSUED AS PER ARCHITECT COMMENT
12	15-11-2021	ISSUED AS PER ARCHITECT COMMENT
13	15-11-2021	ISSUED AS PER ARCHITECT COMMENT
14	15-11-2021	ISSUED AS PER ARCHITECT COMMENT
15	15-11-2021	ISSUED AS PER ARCHITECT COMMENT
16	15-11-2021	ISSUED AS PER ARCHITECT COMMENT
17	15-11-2021	ISSUED AS PER ARCHITECT COMMENT
18	15-11-2021	ISSUED AS PER ARCHITECT COMMENT
19	15-11-2021	ISSUED AS PER ARCHITECT COMMENT
20	15-11-2021	ISSUED AS PER ARCHITECT COMMENT
21	15-11-2021	ISSUED AS PER ARCHITECT COMMENT
22	15-11-2021	ISSUED AS PER ARCHITECT COMMENT
23	15-11-2021	ISSUED AS PER ARCHITECT COMMENT
24	15-11-2021	ISSUED AS PER ARCHITECT COMMENT
25	15-11-2021	ISSUED AS PER ARCHITECT COMMENT
26	15-11-2021	ISSUED AS PER ARCHITECT COMMENT
27	15-11-2021	ISSUED AS PER ARCHITECT COMMENT
28	15-11-2021	ISSUED AS PER ARCHITECT COMMENT
29	15-11-2021	ISSUED AS PER ARCHITECT COMMENT
30	15-11-2021	ISSUED AS PER ARCHITECT COMMENT
31	15-11-2021	ISSUED AS PER ARCHITECT COMMENT
32	15-11-2021	ISSUED AS PER ARCHITECT COMMENT
33	15-11-2021	ISSUED AS PER ARCHITECT COMMENT
34	15-11-2021	ISSUED AS PER ARCHITECT COMMENT
35	15-11-2021	ISSUED AS PER ARCHITECT COMMENT
36	15-11-2021	ISSUED AS PER ARCHITECT COMMENT
37	15-11-2021	ISSUED AS PER ARCHITECT COMMENT
38	15-11-2021	ISSUED AS PER ARCHITECT COMMENT
39	15-11-2021	ISSUED AS PER ARCHITECT COMMENT
40	15-11-2021	ISSUED AS PER ARCHITECT COMMENT
41	15-11-2021	ISSUED AS PER ARCHITECT COMMENT
42	15-11-2021	ISSUED AS PER ARCHITECT COMMENT
43	15-11-2021	ISSUED AS PER ARCHITECT COMMENT
44	15-11-2021	ISSUED AS PER ARCHITECT COMMENT
45	15-11-2021	ISSUED AS PER ARCHITECT COMMENT
46	15-11-2021	ISSUED AS PER ARCHITECT COMMENT
47	15-11-2021	ISSUED AS PER ARCHITECT COMMENT
48	15-11-2021	ISSUED AS PER ARCHITECT COMMENT
49	15-11-2021	ISSUED AS PER ARCHITECT COMMENT
50	15-11-2021	ISSUED AS PER ARCHITECT COMMENT
51	15-11-2021	ISSUED AS PER ARCHITECT COMMENT
52	15-11-2021	ISSUED AS PER ARCHITECT COMMENT
53	15-11-2021	ISSUED AS PER ARCHITECT COMMENT
54	15-11-2021	ISSUED AS PER ARCHITECT COMMENT
55	15-11-2021	ISSUED AS PER ARCHITECT COMMENT
56	15-11-2021	ISSUED AS PER ARCHITECT COMMENT
57	15-11-2021	ISSUED AS PER ARCHITECT COMMENT
58	15-11-2021	ISSUED AS PER ARCHITECT COMMENT
59	15-11-2021	ISSUED AS PER ARCHITECT COMMENT
60	15-11-2021	ISSUED AS PER ARCHITECT COMMENT
61	15-11-2021	ISSUED AS PER ARCHITECT COMMENT
62	15-11-2021	ISSUED AS PER ARCHITECT COMMENT
63	15-11-2021	ISSUED AS PER ARCHITECT COMMENT
64	15-11-2021	ISSUED AS PER ARCHITECT COMMENT
65	15-11-2021	ISSUED AS PER ARCHITECT COMMENT
66	15-11-2021	ISSUED AS PER ARCHITECT COMMENT
67	15-11-2021	ISSUED AS PER ARCHITECT COMMENT
68	15-11-2021	ISSUED AS PER ARCHITECT COMMENT
69	15-11-2021	ISSUED AS PER ARCHITECT COMMENT
70	15-11-2021	ISSUED AS PER ARCHITECT COMMENT
71	15-11-2021	ISSUED AS PER ARCHITECT COMMENT
72	15-11-2021	ISSUED AS PER ARCHITECT COMMENT
73	15-11-2021	ISSUED AS PER ARCHITECT COMMENT
74	15-11-2021	ISSUED AS PER ARCHITECT COMMENT
75	15-11-2021	ISSUED AS PER ARCHITECT COMMENT
76	15-11-2021	ISSUED AS PER ARCHITECT COMMENT
77	15-11-2021	ISSUED AS PER ARCHITECT COMMENT
78	15-11-2021	ISSUED AS PER ARCHITECT COMMENT
79	15-11-2021	ISSUED AS PER ARCHITECT COMMENT
80	15-11-2021	ISSUED AS PER ARCHITECT COMMENT
81	15-11-2021	ISSUED AS PER ARCHITECT COMMENT
82	15-11-2021	ISSUED AS PER ARCHITECT COMMENT
83	15-11-2021	ISSUED AS PER ARCHITECT COMMENT
84	15-11-2021	ISSUED AS PER ARCHITECT COMMENT
85	15-11-2021	ISSUED AS PER ARCHITECT COMMENT
86	15-11-2021	ISSUED AS PER ARCHITECT COMMENT
87	15-11-2021	ISSUED AS PER ARCHITECT COMMENT
88	15-11-2021	ISSUED AS PER ARCHITECT COMMENT
89	15-11-2021	ISSUED AS PER ARCHITECT COMMENT
90	15-11-2021	ISSUED AS PER ARCHITECT COMMENT
91	15-11-2021	ISSUED AS PER ARCHITECT COMMENT
92	15-11-2021	ISSUED AS PER ARCHITECT COMMENT
93	15-11-2021	ISSUED AS PER ARCHITECT COMMENT
94	15-11-2021	ISSUED AS PER ARCHITECT COMMENT
95	15-11-2021	ISSUED AS PER ARCHITECT COMMENT
96	15-11-2021	ISSUED AS PER ARCHITECT COMMENT
97	15-11-2021	ISSUED AS PER ARCHITECT COMMENT
98	15-11-2021	ISSUED AS PER ARCHITECT COMMENT
99	15-11-2021	ISSUED AS PER ARCHITECT COMMENT
100	15-11-2021	ISSUED AS PER ARCHITECT COMMENT



大管数量 =

$$483 \times 3$$

$$= 1449 \text{ 根 (含备)}$$

= 1690 (含备)

修窗了粒

材料 = 5mm 厚不锈钢包  
#304

圆管 = SH-GR 91

SH 窗框用 (生窗框)

铝包换用

井边高: T1A-E/B-1 = 46 (顶层)

T1B-C/B-1 = 45 (顶层)

T1B-D/B-1 = 45 (顶层)

T2B-D/B-1 = 49 (顶层)

T3B-D/B-1 = 49 (顶层)

T3A-F/R-1 = 49 (顶层)

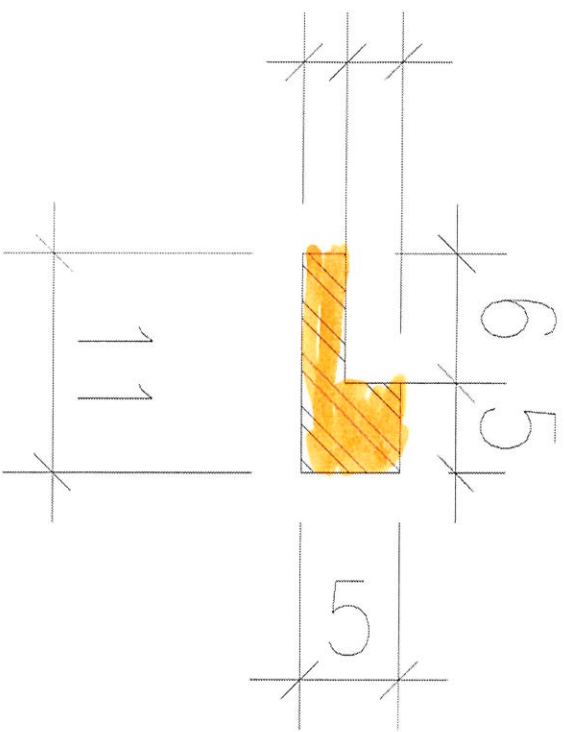
T2A-E/B-1 = 50 (顶层)

T2A-D/B-1 = 50 (顶层)

T3A-C/R-1 = 50 (顶层)

T3A-D/R-1 = 50 (顶层)

23



SH窗 生控柜用

伊少窗: T1A-E/B-1 = 46 (窗框)

T1B-C/B-1 = 45 (窗框)

T1B-D/B-1 = 45 (窗框)

T2B-D/B-1 = 49 (窗框)

T3B-D/B-1 = 49 (窗框)

T3A-F/B-1 = 49 (窗框)

= 223

L = 35 mm

材料 = 5mm 不锈钢网  
#304

图号: SH-GR-02

1 套窗子粒

敲配螺丝

生控柜用

大管数量: 223 \* 3

= 849 块窗框

1000 件

