

工程指示 / 要求簡箋(E.I.)

工程指示編號：EI/4306/22

修改版次：-

工程編號：J - 858

工程名稱：將軍澳日出康城 11

工程項目：幕牆 預留碼 (T1-T3: 9-12/F)

收件人：Maggie

發件人：Eric Liu

日期：18/01/2022

要求提供 / 確認 事項：

- | | | |
|------------------------------------|-------------------------------------|-------------------------------|
| <input type="checkbox"/> 初步鋁料 B.M. | <input type="checkbox"/> 加工拆圖，然後生產 | <input type="checkbox"/> 尺寸表 |
| <input type="checkbox"/> 正式鋁料 B.M. | <input type="checkbox"/> 技術上資料 / 指示 | <input type="checkbox"/> 報價 |
| <input type="checkbox"/> 配件 B.M. | <input type="checkbox"/> 樣辦或貨品說明書 | <input type="checkbox"/> 分判合約 |

內容：

請按 BM 先訂購幕牆 T1-T3: 9-12/F 用預留碼

2 月尾/2022 先交 1 半數量, 3 月中/2022 交 1 半數量

EI4247 已訂購 CA01, CA05 (Hilti Channel & T-bolt), 不需重覆訂購, 記錄用.

請在 2022.02.28 前完成上列要求。

附：1 頁 BM+ 2 頁加工圖+ 12 頁位置圖

以上項目為：

- 原合約工程包 原合約工程加 / 減賬 新工程報價

原因：-

分發東莞各部門：

- | | | | |
|--|---|--|--|
| <input type="checkbox"/> 生產技術總監 <input type="checkbox"/> 連附件 | <input type="checkbox"/> 技術部 <input type="checkbox"/> 連附件 | <input type="checkbox"/> 生產部 <input type="checkbox"/> 連附件 | <input type="checkbox"/> 機械設計部 <input type="checkbox"/> 連附件 |
| <input type="checkbox"/> 採購部 <input type="checkbox"/> 連附件 | <input type="checkbox"/> 生產統籌部 <input type="checkbox"/> 連附件 | <input type="checkbox"/> 小羅&清 <input type="checkbox"/> 連附件 | |
| <input type="checkbox"/> 質檢部 <input type="checkbox"/> 連附件 | <input type="checkbox"/> 會計部 <input type="checkbox"/> 連附件 | <input type="checkbox"/> 報關組 <input type="checkbox"/> 連附件 | <input type="checkbox"/> 其他 _____ <input type="checkbox"/> 連附件 |

分發其他分判：

分發香港各部門：

- | | | | |
|--|--|---|--|
| <input type="checkbox"/> 行政部 <input type="checkbox"/> 連附件 | <input type="checkbox"/> 會計部 <input type="checkbox"/> 連附件 | <input type="checkbox"/> 統籌部 <input type="checkbox"/> 連附件 | <input checked="" type="checkbox"/> 工程部地盤科文 <input type="checkbox"/> 連附件 |
| <input checked="" type="checkbox"/> 採購部 <input type="checkbox"/> 連附件 | <input type="checkbox"/> QS 部 <input type="checkbox"/> 連附件 | <input type="checkbox"/> 維修部 <input type="checkbox"/> 連附件 | <input type="checkbox"/> 其他 _____ <input type="checkbox"/> 連附件 |

傳遞編號：

HK

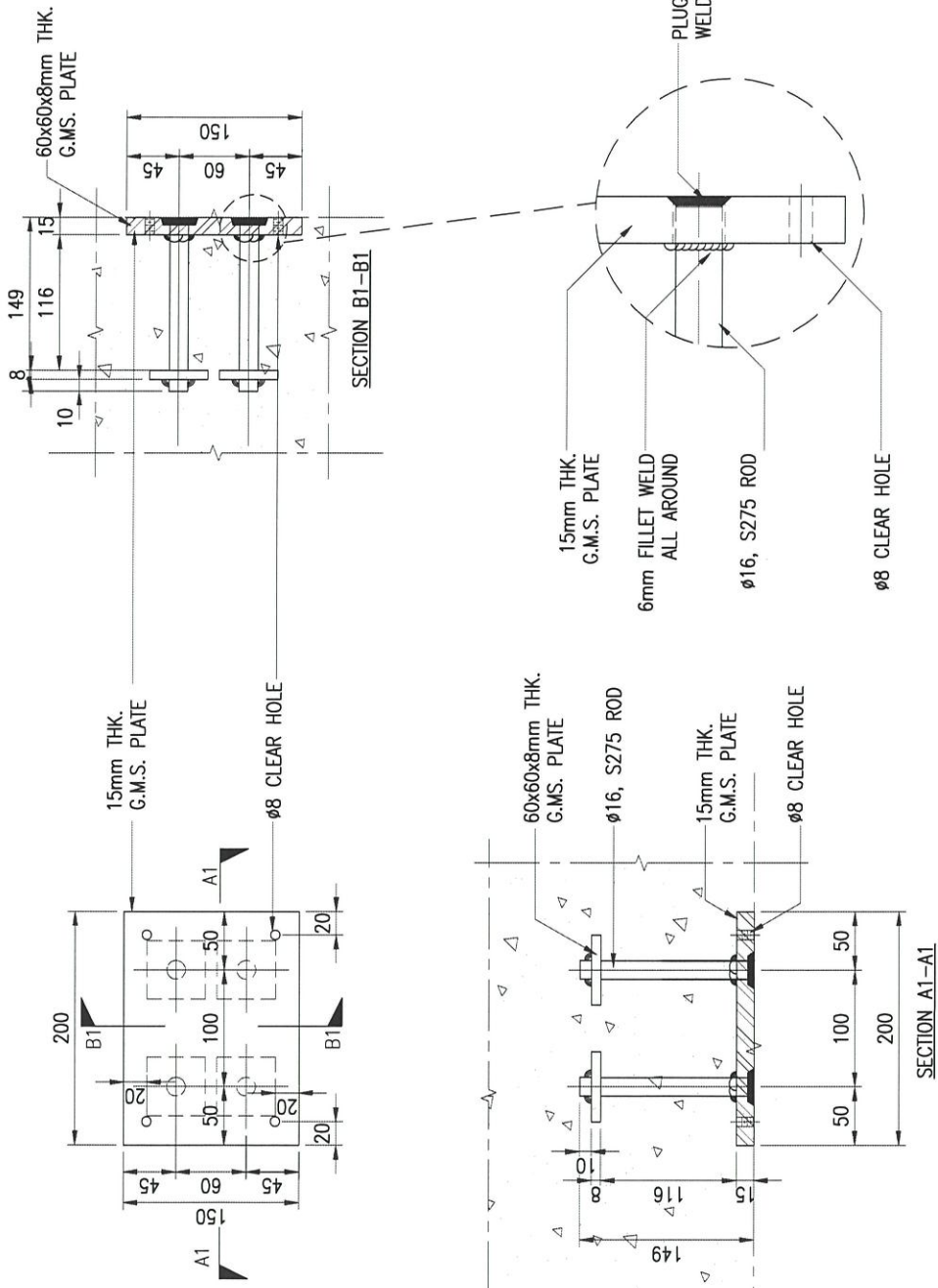
122

發件人簽署：

項目經理簽署：

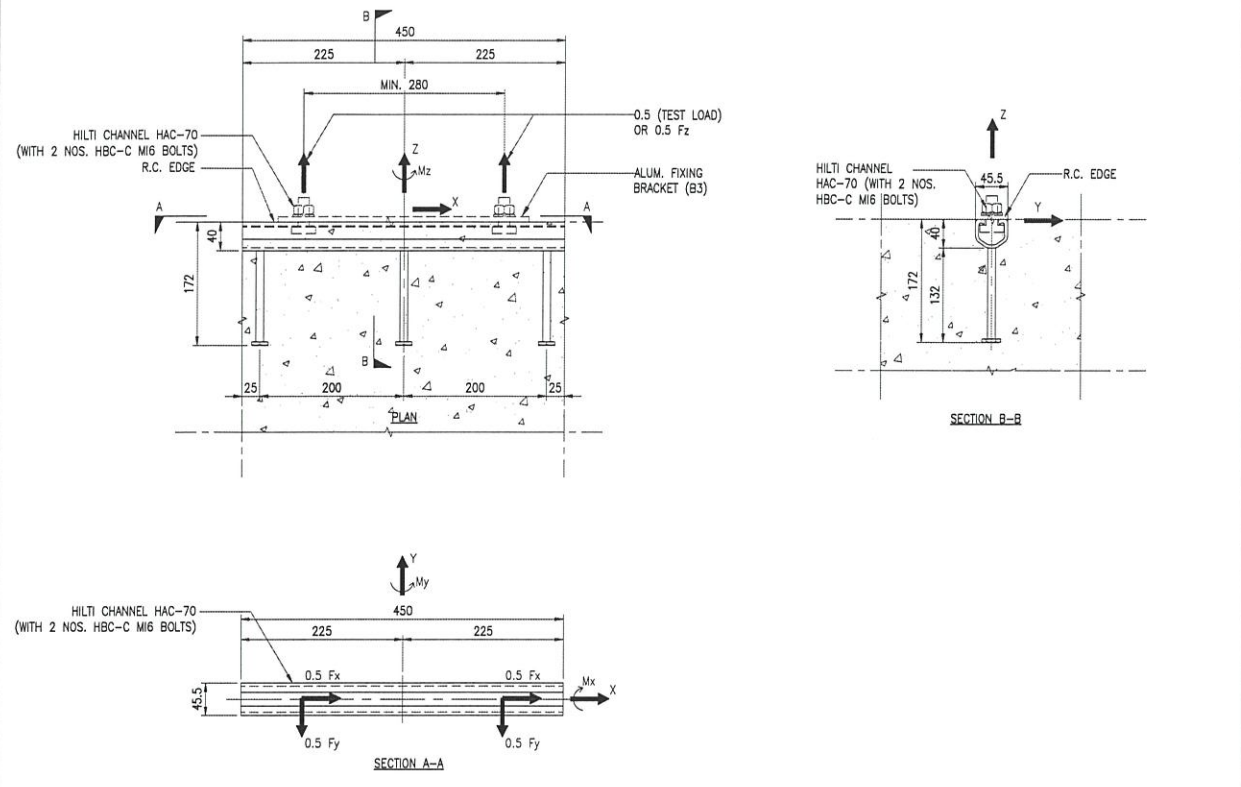
(Handwritten signatures)

BM編號：		預留碼樣辦		工程號：		J858		計算：		日期：		送呈：	
MIDI Aluminium Fabricator Ltd.		MIDI Aluminium Fabricator Ltd.		地盤名稱：		康城11期		核對：		日期：		副本：	
		項目類別：		幕牆(預留碼)				修改：		總重量(kg):		0.0	
序號	修改標示	配件圖號	物料編號	配件名稱	顏色	實用	後備	總數	單位	單件重量	總重量	備註	
									件	KG			
1		E14247 已訂	CA01	Hilti Channel HAC-70-450F		574	0	574	件				
2	暫停		CA02	轉角碼		39	0	39	件				
3		E14247 已訂	CA05	Hilti Channel HAC-70-350F		471	0	471	件				
4			CA04	200x150x15mm鐵板	熱浸鋅	717	0	717	件				
5				60x60x8mm方鐵介子	熱浸鋅	2868	0	2868	件			1鐵板 (Item 4) 有4個方鐵介子	
6				直徑16圓鐵	熱浸鋅	2868	0	2868	支			1鐵板 (Item 4) 有4個圓鐵	
7				350x200x15mm鐵板	熱浸鋅	145	0	145	件				
8			CA06	60x60x8mm方鐵介子	熱浸鋅	290	0	290	件			1鐵板 (Item 7) 有2個方鐵介子	
9				直徑16圓鐵	熱浸鋅	290	0	290	支				1鐵板 (Item 7) 有2個圓鐵
							總計	8262	件		0.0		



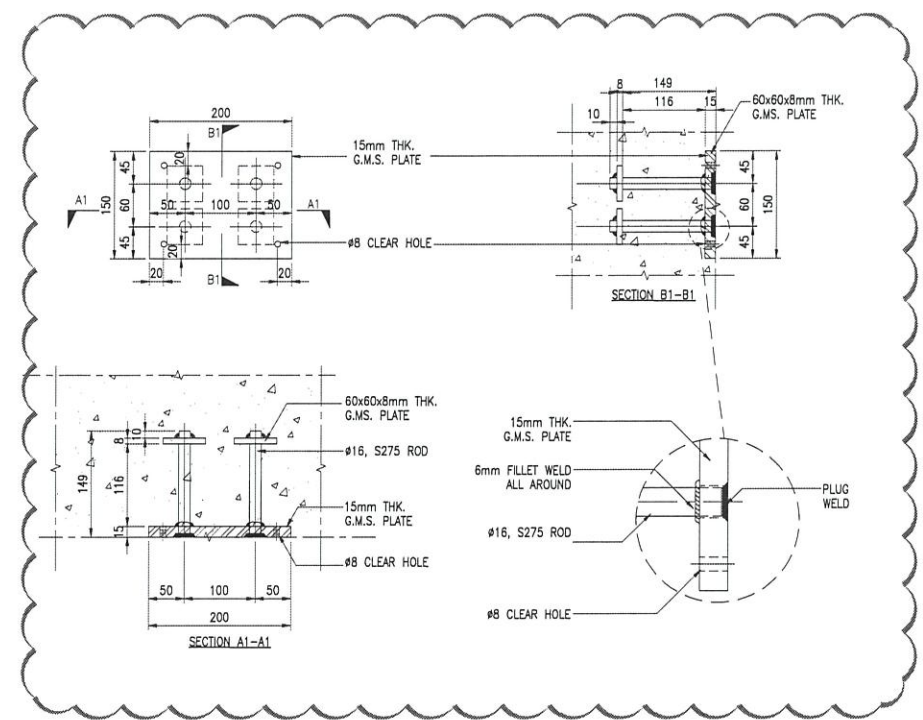
参考用

Approved: WM ISO A1 594mm x 841mm
 Project Management Initials: Designer: DL Checked: KW
 13/02/2018
 PATH: H:\SHT\01\PF\B\000\Business_Shar\technical_Library_Facade\21_AECOM\Current\Project\tech\PD\HighRes\Part11_TK038_BD\Submission\Power Curtain\WCH\WHS\SP\SSA\BBOX\A1_BD.dwg
 Rpt File by: kwolfehd
 Printed on: Recycled Content Paper

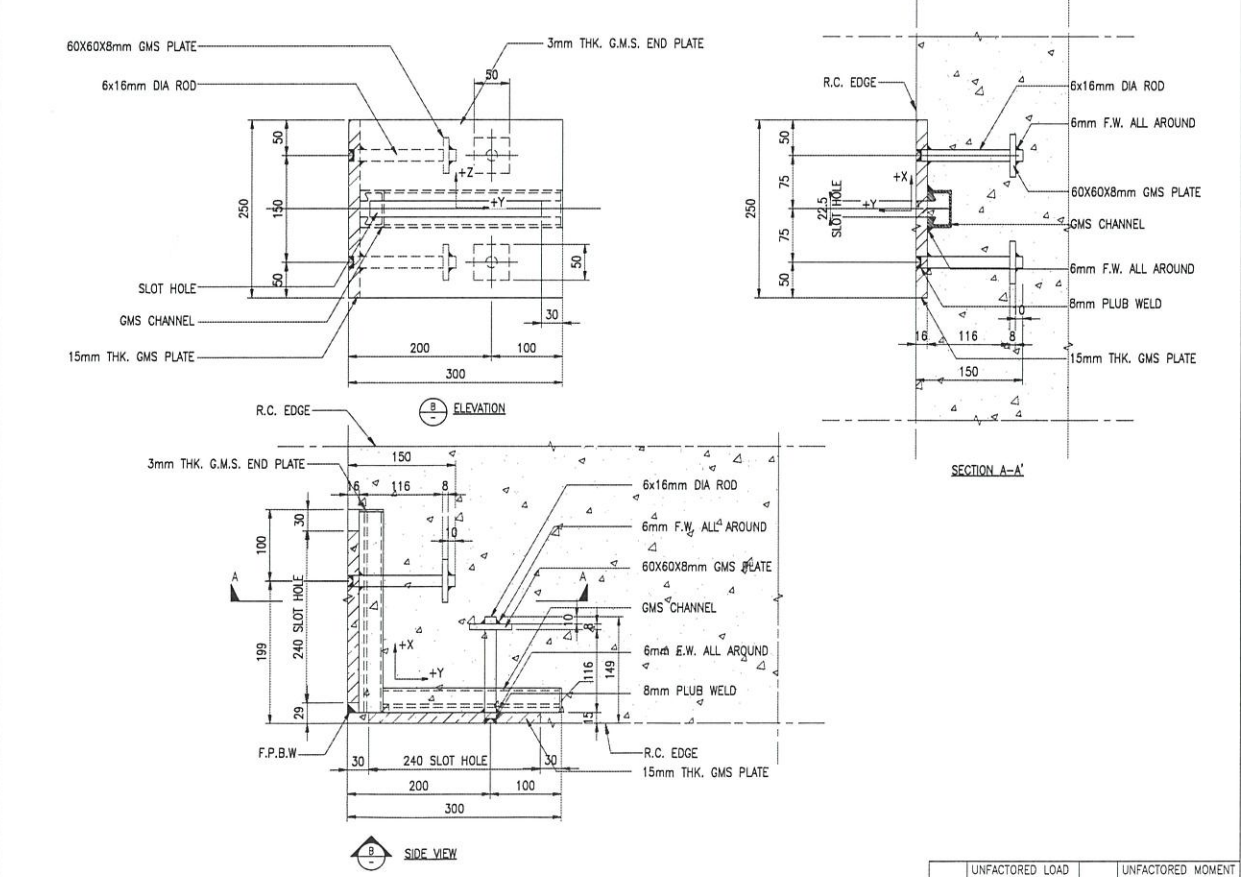


1 CAST-IN CHANNEL CA01
 HILTI CHANNEL - HAC-70 (WITH 2 NOS. HBC-C M16 BOLTS)
 FOR TOWER

UNFACTORED LOAD ALONG AXIS (kN)		UNFACTORED MOMENT ABOUT AXIS (kNm)	
Fx	-	Mx	+/-2.41
Fy	+/-7.19	My	+/-1.33
Fz	+/-27.07	Mz	+/-0.33



2 CAST-IN EMBED CA04



3 CAST-IN EMBED CA02
 CORNER

UNFACTORED LOAD ALONG AXIS (kN)		UNFACTORED MOMENT ABOUT AXIS (kNm)	
Fx	-	Mx	+/-0.54
Fy	-3.69	My	+/-1.05
Fz	+/-15.58	Mz	+/-0.25

B.D. AMENDMENT

*THE WORKS SHOWN ON THESE PLANS ARE TYPE II WORKS:
 SUPERSTRUCTURE (CURTAIN WALL AT TOWER 1, 2 & 3)
 IN RESPECT OF WHICH CONSENT IS APPLIED FOR THE PURPOSE
 OF FAST TRACK CONSENT APPLICATION UNDER REGULATION 33
 OF THE BUILDING (ADMINISTRATION) REGULATIONS.*

AECOM

PROJECT
 項目

PROPOSED RESIDENTIAL
 DEVELOPMENT AT
 TKOTL 70RP, PHASE 11.
 LOHAS PARK,
 TSEUNG KWAN O, N.T.

CLIENT
 業主
 SINO LAND COMPANY LIMITED

CONSULTANT
 工程顧問公司
 AECOM Asia Company Ltd.
 www.aecom.com

SUB-CONSULTANTS
 分判工程顧問公司

ISSUE/REVISION
 修訂

NO.	DATE	DESCRIPTION	CHK.
A	28.12.21	BD AMENDMENT	K
-	30.09.20	BD SUBMISSION	K

STATUS
 階段
 BD SUBMISSION

SCALE
 比例
 N.T.S.

DIMENSION UNIT
 尺寸單位
 MILLIMETRES

KEY PLAN
 索引圖

PROJECT NO.
 項目編號
 LP11

CONTRACT NO.
 合約編號
 -

SHEET TITLE
 圖紙名稱
 EMBED DETAIL

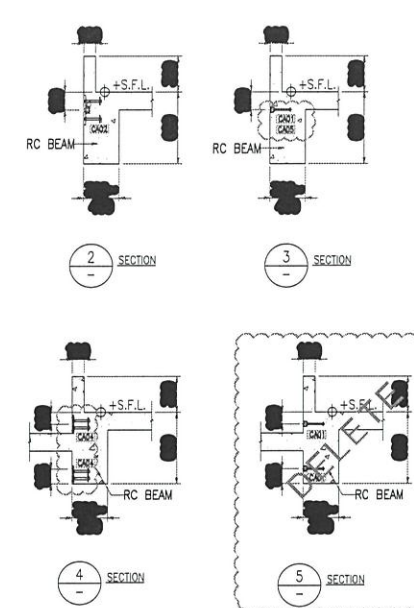
SHEET NUMBER
 圖紙編號
 LP11/0003

This drawing has been prepared for the use of AECOM's client. It may not be used, modified, reproduced or relied upon by third parties, except as required by law. AECOM accepts no responsibility, and denies any liability whatsoever, to any party that uses or relies on this drawing without AECOM's express written consent.

Approved: WM ISO A1 594mm x 841mm
 Checked: KW
 Designer: DL
 Project Management Initials:
 13/02/2018
 Plot File by: Kwehsheng
 PATH: HKSH10\PT\PSW02\business_Sharotechnical_Library_Facade\21_AECOM\Current Projects\td\11\TK006_BD\Submittal\Current\WCH\WHS\PS\SA\BOX\H_ED\Map
 Recycled Content Paper



1
 10/F, 12/F, 39/F & 41/F-61/F EMBED LAYOUT PLAN
 (13/F, 14/F, 24/F, 34/F & 44/F OMITTED)
 TOWER 1



CA01 : 36
 CA02 : 4
 CA03 : ✓
 CA04 : 39 x 2
 CA05 : 28
 CA06 : ✓

AECOM
 PROJECT
 PROPOSED RESIDENTIAL DEVELOPMENT AT TKOTL 70RP, PHASE 11. LOHAS PARK, TSEUNG KWAN O, N.T.

CLIENT
 SINO LAND COMPANY LIMITED

CONSULTANT
 AECOM Asia Company Ltd.
 www.aecom.com

SUB-CONSULTANTS
 分判工程師有限公司

ISSUE/REVISION

NO.	DATE	DESCRIPTION	CHK
A	05.01.22	BD AMENDMENT	K
-	30.09.20	BD SUBMISSION	K

STATUS
 階段
 BD SUBMISSION

SCALE
 比例
 N.T.S.

DIMENSION UNIT
 尺寸單位
 MILLIMETRES

KEY PLAN
 索引圖

PROJECT NO.
 項目編號
 LP11

CONTRACT NO.
 合約編號
 -

SHEET TITLE
 圖紙名稱
 TOWER 1
 10/F, 12/F, 39/F & 41/F-61/F
 EMBED LAYOUT PLAN

SHEET NUMBER
 圖紙編號
 LP11/0042

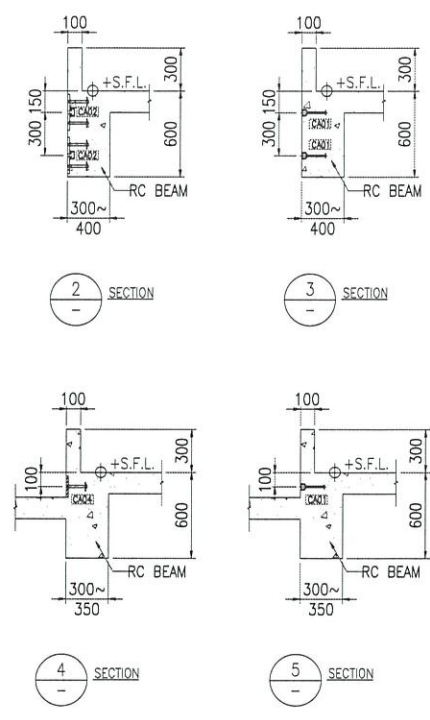
BD AMENDMENT

This drawing has been prepared for the use of AECOM's client. It may not be used, modified, reproduced or relied upon by third parties, except as required by law. AECOM accepts no responsibility, and denies any liability whatsoever, to any party that uses or relies on this drawing without AECOM's express written consent.

Approved: MW ISO A1 594mm x 841mm
 Checked: RW
 Designer: DL
 Project Management Initials:
 13/02/2018
 Plot File by: Kwekshid
 PATH: HKSHIT01PEP3W000business_Sharetechnical_Library_External_AECOM_Curram Projects\tech\11\Phelohas Park\11_TK006_BD_Submission_Curtain Wall\WHS-P-SUBA\BOXN_EDM.dwg
 Printed on: & Post-Consumer Recycled Content Paper



1
-
12/F & 41/F EMBED LAYOUT PLAN
TOWER 1



CA01: 54
 CA02: 4
 CA04: 39 x 2
 CA05: 40

AECOM
PROJECT
 項目
 PROPOSED RESIDENTIAL DEVELOPMENT AT TKOTL 70RP, PHASE 11. LOHAS PARK, TSEUNG KWAN O, N.T.

CLIENT
 業主
 SINO LAND COMPANY LIMITED

CONSULTANT
 顧問公司
 AECOM Asia Company Ltd.
 www.aecom.com

SUB-CONSULTANTS
 分判工程顧問公司

ISSUE/REVISION
 修訂

NO.	DATE	DESCRIPTION	CHK.
A	05.01.22	BD AMENDMENT	K
-	30.09.20	BD SUBMISSION	K

STATUS
 階段
 BD SUBMISSION

SCALE
 比例
 N.T.S.

DIMENSION UNIT
 尺寸單位
 MILLIMETRES

KEY PLAN
 索引圖

PROJECT NO.
 項目編號
 LP11

CONTRACT NO.
 合約編號
 -

SHEET TITLE
 圖紙名稱
 TOWER 1
 12/F & 41/F EMBED LAYOUT PLAN

SHEET NUMBER
 圖紙編號
 LP11/0044

B.D. AMENDMENT

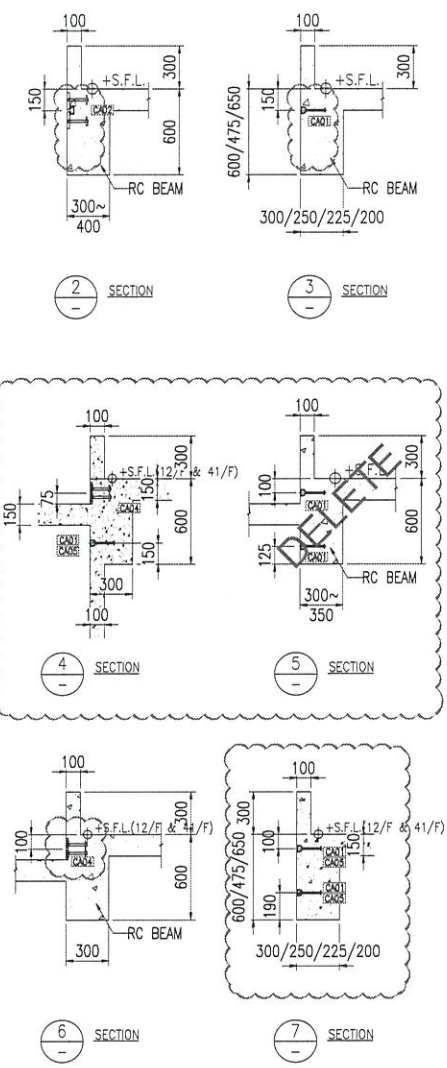
"THE WORKS SHOWN ON THESE PLANS ARE TYPE II WORKS: SUPERSTRUCTURE (CURTAIN WALL AT TOWER 1, 2 & 3) IN RESPECT OF WHICH CONSENT IS APPLIED FOR THE PURPOSE OF FAST TRACK CONSENT APPLICATION UNDER REGULATION 33 OF THE BUILDING (ADMINISTRATION) REGULATIONS."

This drawing has been prepared for the use of AECOM's client. It may not be used, modified, reproduced or relied upon by third parties, except as required by AECOM or as required by the client. AECOM accepts no responsibility, and denies any liability whatsoever, to any party that uses or relies on this drawing without AECOM's express written consent.

Approved: VV ISO A1 594mm x 841mm
 Project Management Initials: Designer: DL Checked: KW
 Plot File by: Kwokthid
 PATH: H:\GIS\TOPPPS\W02\business_Sharutechnical_Library_AECOM\CurrentProjects\path\T2\T2\T2-12\F\B.D. Submitter\Current\W02\W02-02\B0001_BD.dwg
 13/02/2018
 Printed on: % Post-Consumer Recycled Content Paper



1 12/F & 41/F EMBED LAYOUT PLAN TOWER 2



CA01 = 49
 CA02 = 3
 CA04 = 39
 CA05 = 35



PROJECT
 項目
 PROPOSED RESIDENTIAL DEVELOPMENT AT TKOTL 70RP, PHASE 11. LOHAS PARK, TSEUNG KWAN O, N.T.

CLIENT
 業主
 SINO LAND COMPANY LIMITED

CONSULTANT
 工程顧問公司
 AECOM Asia Company Ltd.
 www.aecom.com

SUB-CONSULTANTS
 分門工程顧問公司

ISSUE/REVISION
 修訂

NO.	DATE	DESCRIPTION	CHK
A	30.12.21	BD AMENDMENT	K
-	30.09.20	BD SUBMISSION	K

STATUS
 階段
 BD SUBMISSION

SCALE
 比例
 N.T.S.

DIMENSION UNIT
 尺寸單位
 MILLIMETRES

KEY PLAN
 索引圖

PROJECT NO.
 項目編號
 LP11

CONTRACT NO.
 合約編號

SHEET TITLE
 圖紙名稱
 TOWER 2
 12/F & 41/F EMBED LAYOUT PLAN

SHEET NUMBER
 圖紙編號
 LP11/0054

B.D. AMENDMENT

"THE WORKS SHOWN ON THESE PLANS ARE TYPE II WORKS: SUPERSTRUCTURE (CURTAIN WALL AT TOWER 1, 2 & 3) IN RESPECT OF WHICH CONSENT IS APPLIED FOR THE PURPOSE OF FAST TRACK CONSENT APPLICATION UNDER REGULATION 33 OF THE BUILDING (ADMINISTRATION) REGULATIONS."

This drawing has been prepared for the use of AECOM's client. It may not be used, modified, reproduced or used again by third parties, except as agreed by AECOM or as required by law. AECOM accepts no responsibility, and disavows any liability whatsoever, to any party that uses or relies on this drawing without AECOM's express written consent.

