



工程指示 / 要求簡箋 ENGINEER INSTRUCTIONS(E.I.)

工程指示編號:	EI- 5445	修改版本:	G
工程編號:	J 857	工程名稱:	啟德6552
收件人:	生統	發件人:	Nero HO
工程項目:	屋頂欄河 - 地盤用鋁料加工圖(T1~T8)&(TL)	日期:	11/04/2023

<input type="checkbox"/> 原合約工程包	<input type="checkbox"/> 原合約工程加 / 減賬 QT-	<input type="checkbox"/> 新工程報價 QT-
---------------------------------	--	------------------------------------

信件批核號碼/圖紙參考編號:	批核模具圖紙編號:
客戶指示附件:	管理內部批簽署:

<input type="checkbox"/> 初步鋁料 B.M.	<input type="checkbox"/> 加工拆圖, 然後生產	<input type="checkbox"/> 尺寸表
<input type="checkbox"/> 正式鋁料 B.M.	<input type="checkbox"/> 技術上資料/指示	<input type="checkbox"/> 報價
<input type="checkbox"/> 配件 B.M.	<input type="checkbox"/> 樣辦或貨品說明書	<input type="checkbox"/> 分判合約
<input type="checkbox"/> 其他:		

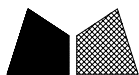
內容: 修改加工圖及修正分座表 按附件資料生產加工。
完成上列要求日期: 14/04/2023

國內

<input type="checkbox"/> 生產技術總監	<input type="checkbox"/> 連附件	<input type="checkbox"/> 技術部	<input type="checkbox"/> 連附件	<input type="checkbox"/> 生產部	<input type="checkbox"/> 連附件
<input type="checkbox"/> 採購部	<input type="checkbox"/> 連附件	<input checked="" type="checkbox"/> 生產統籌部	<input checked="" type="checkbox"/> 連附件	<input type="checkbox"/> 報關組	<input type="checkbox"/> 連附件
<input type="checkbox"/> 質檢部	<input type="checkbox"/> 連附件	<input type="checkbox"/> 會計部	<input type="checkbox"/> 連附件	<input type="checkbox"/> 機械設計部	<input type="checkbox"/> 連附件
<input type="checkbox"/> 香港辦	<input type="checkbox"/> 連附件	<input type="checkbox"/> 其他:			

<input type="checkbox"/> 行政部	<input type="checkbox"/> 連附件	<input type="checkbox"/> 會計部	<input type="checkbox"/> 連附件	<input type="checkbox"/> 統籌部	<input type="checkbox"/> 連附件	<input type="checkbox"/> 工程部	<input type="checkbox"/> 連附件
<input type="checkbox"/> 採購部	<input type="checkbox"/> 連附件	<input type="checkbox"/> QS部	<input type="checkbox"/> 連附件	<input checked="" type="checkbox"/> 地盤管理	<input checked="" type="checkbox"/> 連附件	<input type="checkbox"/> 維修部	<input type="checkbox"/> 連附件

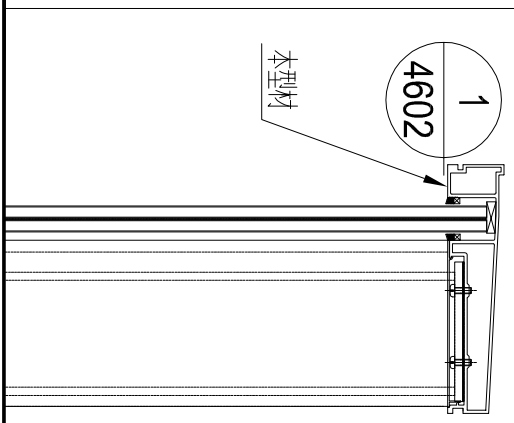
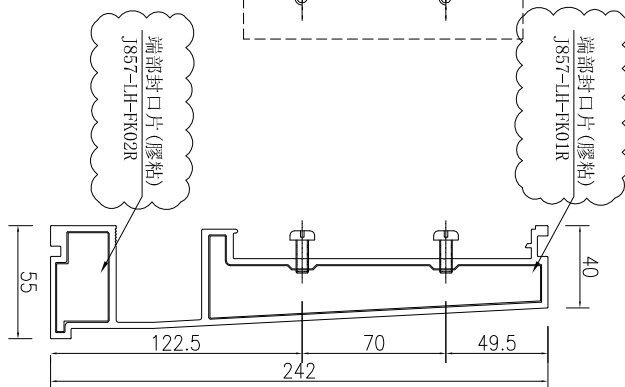
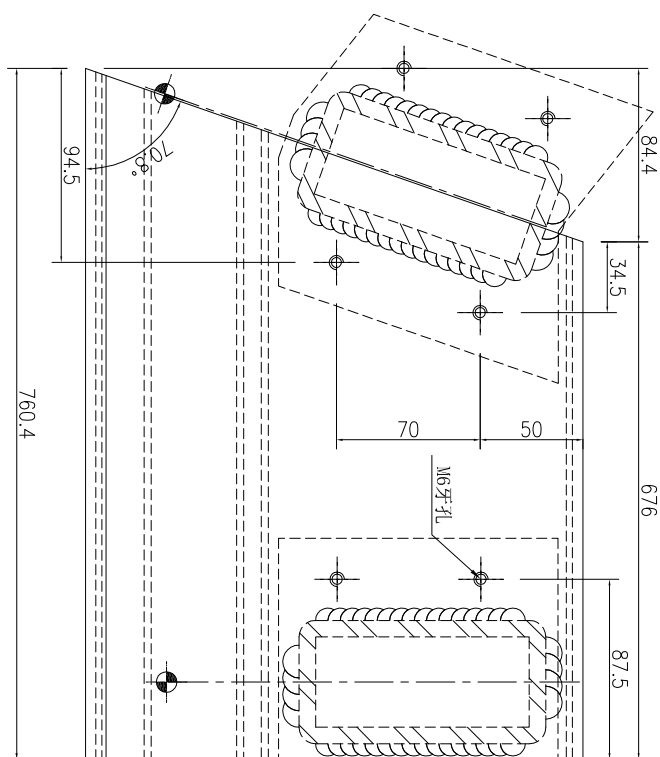
*發件人簽署:	*組別成員批核簽署:
傳遞編號: HK-0688/23	項目經理簽署:



美特鋁質 有限公司  
MIDI Aluminium Fabricator Ltd.

產品編號	L(MM)	數量	A	N	M	B	N1	M1	備註
		1							

工程號	J-857	地盤	啓德6552
-----	-------	----	--------

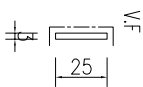
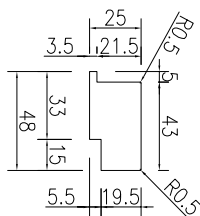


名稱	欄河頂橫加工圖	制圖	吳祿瑜	2022.11.21	修改	A	B	C
材料	X86355	復核			日期	2023.2.24	2023.4.04	2023.4.07
顏色	ECK3X10063S-XF1(深灰色)	批准			圖號	J857-LH-DH100		

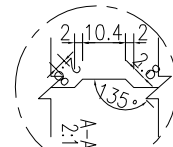
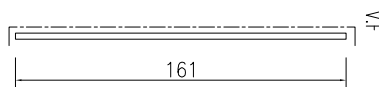
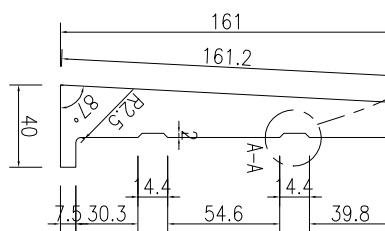


美特鋁質 有限公司  
MIDI Aluminium Fabricator Ltd.

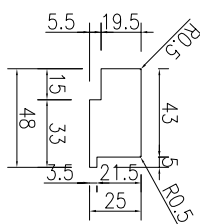
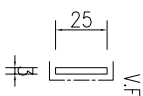
工程號 J-857 地盤 啓德6552



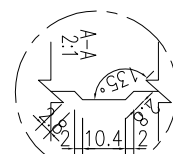
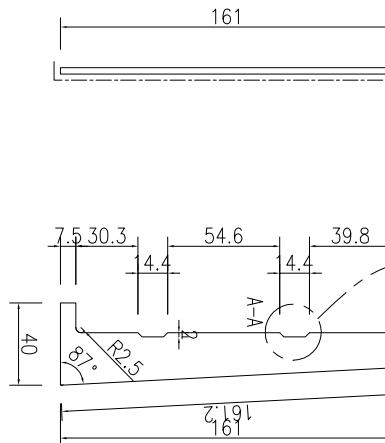
物料编号	J857-LH-FK02
数量	12



物料编号	J857-LH-FK01
数量	12



物料编号	J857-LH-FK02R
数量	13



物料编号	J857-LH-FK01R
数量	13

名稱	封口片加工圖	制圖	吳祚瑜	2022.11.21	修改	A	B
材料	3mm 鋁板	復核			日期	2023.2.24	2023.4.7
顏色	ECK3X10063S-XF1(深灰色)	批准			圖號	J857-LH-FK01	

J857 拦河地盤用铝型材 T1~T8座&amp;TL座 EI5445 分座数量表(修改版A)

座号	铝板加工图号	数量
T1	LH-DH09B	1
T1	LH-DH100	1
T1	LH-DH101	1
T1	LH-DH102	1
T1	LH-DH103	1
T1	LH-DH103A	1
T1	LH-DH104	1
T1	LH-DH104A	1
T1	LH-DH105	1
T1	LH-DH106	1
T1	LH-DH107	1
T1	LH-DH108	1
T1	LH-DH109	1
T1	LH-DH10A	1
T1	LH-DH110	1
T1	LH-DH111	1
T1	LH-DH112	1
T1	LH-DH113	1
T1	LH-DH114	1
T1	LH-DH115	1
T1	LH-DH116	10
T1	LH-DH117	1
T1	LH-DH118	1
T1	LH-DH11A	1
T1	LH-DH120	1
T1	LH-DH125	1
T1	LH-DH126	1
T1	LH-DH127	1
T1	LH-DH128	1
T1	LH-DH129	1
T1	LH-DH130	1
T1	LH-DH131	1
T1	LH-DH132	1
T1	LH-DH133	1
T1	LH-DH134	1
T1	LH-DH135	1
T1	LH-DH194	1

T1	LH-DH195	1
T1	LH-DH196	1
T1	LH-DH200	1
T1	LH-DH201	1
T1	LH-DH202	1
T1	LH-DH207	1
T1	LH-DH208	1
T1	LH-DH230	3
T1	LH-DH230A	1
T1	LH-DH231	1
T1	LH-DH231A	1
T1	LH-DH232	1
T1	LH-DH233	1
T1	LH-DH234	1
T1	LH-DH78A	1
T1	LH-DH81	1
T1	LH-DH82	1
T1	LH-DH83	1
T1	LH-DH84	1
T1	LH-DH85	1
T1	LH-DH86	1
T1	LH-DH87	1
T1	LH-DH88	1
T1	LH-DH89	1
T1	LH-DH90	1
T1	LH-DH91	1
T1	LH-DH92	1
T1	LH-DH93	1
T1	LH-DH94	1
T1	LH-DH95	1
T1	LH-DH96	1
T1	LH-DH97	1
T1	LH-DH98	1
T1	LH-DH99	1
T1	LH-DHG09B	1
T1	LH-DHG100	1
T1	LH-DHG101	1
T1	LH-DHG102	1
T1	LH-DHG103	1

T1	LH-DHG103A	1
T1	LH-DHG104	1
T1	LH-DHG104A	1
T1	LH-DHG105	1
T1	LH-DHG106	1
T1	LH-DHG107	1
T1	LH-DHG108	1
T1	LH-DHG109	1
T1	LH-DHG10A	1
T1	LH-DHG110	1
T1	LH-DHG111	1
T1	LH-DHG112	1
T1	LH-DHG113	1
T1	LH-DHG114	1
T1	LH-DHG115	1
T1	LH-DHG116	10
T1	LH-DHG117	1
T1	LH-DHG118	1
T1	LH-DHG11A	1
T1	LH-DHG120	1
T1	LH-DHG125	1
T1	LH-DHG126	1
T1	LH-DHG127	1
T1	LH-DHG128	1
T1	LH-DHG129	1
T1	LH-DHG130	1
T1	LH-DHG131	1
T1	LH-DHG132	1
T1	LH-DHG133	1
T1	LH-DHG134	1
T1	LH-DHG135	1
T1	LH-DHG194	1
T1	LH-DHG195	1
T1	LH-DHG196	1
T1	LH-DHG200	1
T1	LH-DHG201	1
T1	LH-DHG202	1
T1	LH-DHG207	1
T1	LH-DHG208	1

T1	LH-DHG230	3
T1	LH-DHG230A	1
T1	LH-DHG231	1
T1	LH-DHG231A	1
T1	LH-DHG232	1
T1	LH-DHG233	1
T1	LH-DHG234	1
T1	LH-DHG78A	1
T1	LH-DHG81	1
T1	LH-DHG82	1
T1	LH-DHG83	1
T1	LH-DHG84	1
T1	LH-DHG85	1
T1	LH-DHG86	1
T1	LH-DHG87	1
T1	LH-DHG88	1
T1	LH-DHG89	1
T1	LH-DHG90	1
T1	LH-DHG91	1
T1	LH-DHG92	1
T1	LH-DHG93	1
T1	LH-DHG94	1
T1	LH-DHG95	1
T1	LH-DHG96	1
T1	LH-DHG97	1
T1	LH-DHG98	1
T1	LH-DHG99	1
T1	LH-LC09B	1
T1	LH-LC100	1
T1	LH-LC101	1
T1	LH-LC102	1
T1	LH-LC103	1
T1	LH-LC103A	1
T1	LH-LC104	1
T1	LH-LC104A	1
T1	LH-LC105	1
T1	LH-LC106	1
T1	LH-LC107	1
T1	LH-LC108	1

T1	LH-LC109	1
T1	LH-LC10A	1
T1	LH-LC110	1
T1	LH-LC111	1
T1	LH-LC112	1
T1	LH-LC113	1
T1	LH-LC114	1
T1	LH-LC115	1
T1	LH-LC116	10
T1	LH-LC117	1
T1	LH-LC118	1
T1	LH-LC11A	1
T1	LH-LC120	1
T1	LH-LC125	1
T1	LH-LC126	1
T1	LH-LC127	1
T1	LH-LC128	1
T1	LH-LC129	1
T1	LH-LC130	1
T1	LH-LC131	1
T1	LH-LC132	1
T1	LH-LC133	1
T1	LH-LC134	1
T1	LH-LC135	1
T1	LH-LC194	1
T1	LH-LC195	1
T1	LH-LC196	1
T1	LH-LC200	1
T1	LH-LC201	1
T1	LH-LC202	1
T1	LH-LC207	1
T1	LH-LC208	1
T1	LH-LC230	4
T1	LH-LC231	2
T1	LH-LC232	1
T1	LH-LC233	1
T1	LH-LC234	1
T1	LH-LC31A	1
T1	LH-LC78A	1

T1	LH-LC81	1
T1	LH-LC82	1
T1	LH-LC83	1
T1	LH-LC84	1
T1	LH-LC85	1
T1	LH-LC86	1
T1	LH-LC87	1
T1	LH-LC88	1
T1	LH-LC89	1
T1	LH-LC90	1
T1	LH-LC91	1
T1	LH-LC92	1
T1	LH-LC93	1
T1	LH-LC94	1
T1	LH-LC95	1
T1	LH-LC96	1
T1	LH-LC97	1
T1	LH-LC98	1
T1	LH-LC99	1
T1	LH-LV09B	1
T1	LH-LV100	1
T1	LH-LV101	1
T1	LH-LV102	1
T1	LH-LV103	1
T1	LH-LV103A	1
T1	LH-LV104	1
T1	LH-LV104A	1
T1	LH-LV105	1
T1	LH-LV106	1
T1	LH-LV107	1
T1	LH-LV108	1
T1	LH-LV109	1
T1	LH-LV10A	1
T1	LH-LV110	1
T1	LH-LV111	1
T1	LH-LV112	1
T1	LH-LV113	1
T1	LH-LV114	1
T1	LH-LV115	1

T1	LH-LV116	10
T1	LH-LV117	1
T1	LH-LV118	1
T1	LH-LV11A	1
T1	LH-LV120	1
T1	LH-LV125	1
T1	LH-LV126	1
T1	LH-LV127	1
T1	LH-LV128	1
T1	LH-LV129	1
T1	LH-LV130	1
T1	LH-LV131	1
T1	LH-LV132	1
T1	LH-LV133	1
T1	LH-LV134	1
T1	LH-LV135	1
T1	LH-LV194	1
T1	LH-LV195	1
T1	LH-LV196	1
T1	LH-LV200	1
T1	LH-LV201	1
T1	LH-LV202	1
T1	LH-LV207	1
T1	LH-LV208	1
T1	LH-LV230	4
T1	LH-LV231	2
T1	LH-LV232	1
T1	LH-LV233	1
T1	LH-LV234	1
T1	LH-LV31A	1
T1	LH-LV78A	1
T1	LH-LV81	1
T1	LH-LV82	1
T1	LH-LV83	1
T1	LH-LV84	1
T1	LH-LV85	1
T1	LH-LV86	1
T1	LH-LV87	1
T1	LH-LV88	1

T1	LH-LV89	1
T1	LH-LV90	1
T1	LH-LV91	1
T1	LH-LV92	1
T1	LH-LV93	1
T1	LH-LV94	1
T1	LH-LV95	1
T1	LH-LV96	1
T1	LH-LV97	1
T1	LH-LV98	1
T1	LH-LV99	1
T1	J857-LH-HG01	33
T1	J857-LH-HG02	7
T1	J857-LH-HG03	9
T1	J857-LH-HGD01	33
T1	J857-LH-QG01	65
T1	J857-LH-QGD01	93
T1	J857-LH-HG04	2
T1	J857-LH-HG04R	3
T1	J857-LH-HG05	2
T1	J857-LH-HG05R	3
T1	J857-LH-HG01A	4
T1	J857-LH-HGD01A	37
T1	J857-LH-HGD02A	23
T1	J857-LH-HG11	1
T1	J857-LH-HG12	1
T1	J857-LH-HG06	18
T1	J857-LH-HG07	1
T1	J857-LH-HG08	5
T1	J857-LH-QG02	28
T1	J857-LH-HG09	1
T1	J857-LH-HG09R	1
T1	J857-LH-HG10	1
T1	J857-LH-HG10R	1
T1		702

J857 拦河地盤用鉛型材 T1~T8座&amp;TL座 EI5445 分座數量表(修改版A)

座号	加工图号	数量
T2	LH-DH121	1
T2	LH-DH122	1
T2	LH-DH123	1
T2	LH-DH124	1
T2	LH-DH136	1
T2	LH-DH137	1
T2	LH-DH138	1
T2	LH-DH139	1
T2	LH-DH142	1
T2	LH-DH142A	1
T2	LH-DH143	1
T2	LH-DH144	1
T2	LH-DH145	1
T2	LH-DH220	1
T2	LH-DH221	1
T2	LH-DH222	1
T2	LH-DH231	1
T2	LH-DH236	1
T2	LH-DH31	1
T2	LH-DH32A	1
T2	LH-DH37	1
T2	LH-DH38	1
T2	LH-DH40	1
T2	LH-DH41	1
T2	LH-DH68	1
T2	LH-DH74	1
T2	LH-DH75	1
T2	LH-DH76	1
T2	LH-DH77	1
T2	LH-DH78	1
T2	LH-DH79	1
T2	LH-DH80	1
T2	LH-DHG121	1
T2	LH-DHG122	1
T2	LH-DHG123	1
T2	LH-DHG124	1
T2	LH-DHG136	1

T2	LH-DHG137	1
T2	LH-DHG138	1
T2	LH-DHG139	1
T2	LH-DHG142	1
T2	LH-DHG142A	1
T2	LH-DHG143	1
T2	LH-DHG144	1
T2	LH-DHG145	1
T2	LH-DHG220	1
T2	LH-DHG221	1
T2	LH-DHG222	1
T2	LH-DHG231	1
T2	LH-DHG236	1
T2	LH-DHG31	1
T2	LH-DHG32A	1
T2	LH-DHG37	1
T2	LH-DHG38	1
T2	LH-DHG40	1
T2	LH-DHG41	1
T2	LH-DHG68	1
T2	LH-DHG74	1
T2	LH-DHG75	1
T2	LH-DHG76	1
T2	LH-DHG77	1
T2	LH-DHG78	1
T2	LH-DHG79	1
T2	LH-DHG80	1
T2	LH-LC121	1
T2	LH-LC122	1
T2	LH-LC123	1
T2	LH-LC124	1
T2	LH-LC136	1
T2	LH-LC137	1
T2	LH-LC138	1
T2	LH-LC139	1
T2	LH-LC142	1
T2	LH-LC142A	1
T2	LH-LC143	1
T2	LH-LC144	1

T2	LH-LC145	1
T2	LH-LC220	1
T2	LH-LC221	1
T2	LH-LC222	1
T2	LH-LC230	1
T2	LH-LC231	1
T2	LH-LC236	1
T2	LH-LC31	1
T2	LH-LC32A	1
T2	LH-LC37	1
T2	LH-LC38	1
T2	LH-LC40	1
T2	LH-LC41	1
T2	LH-LC68	1
T2	LH-LC74	1
T2	LH-LC75	1
T2	LH-LC76	1
T2	LH-LC77	1
T2	LH-LC78	1
T2	LH-LC79	1
T2	LH-LC80	1
T2	LH-LV121	1
T2	LH-LV122	1
T2	LH-LV123	1
T2	LH-LV124	1
T2	LH-LV136	1
T2	LH-LV137	1
T2	LH-LV138	1
T2	LH-LV139	1
T2	LH-LV142	1
T2	LH-LV142A	1
T2	LH-LV143	1
T2	LH-LV144	1
T2	LH-LV145	1
T2	LH-LV220	1
T2	LH-LV221	1
T2	LH-LV222	1
T2	LH-LV230	1
T2	LH-LV231	1

T2	LH-LV236	1
T2	LH-LV31	1
T2	LH-LV32A	1
T2	LH-LV37	1
T2	LH-LV38	1
T2	LH-LV40	1
T2	LH-LV41	1
T2	LH-LV68	1
T2	LH-LV74	1
T2	LH-LV75	1
T2	LH-LV76	1
T2	LH-LV77	1
T2	LH-LV78	1
T2	LH-LV79	1
T2	LH-LV80	1
T2	J857-LH-HG01	12
T2	J857-LH-HG02	6
T2	J857-LH-HG03	6
T2	J857-LH-HGD01	12
T2	J857-LH-QG01	32
T2	J857-LH-QGD01	32
T2	J857-LH-HG04	1
T2	J857-LH-HG04R	2
T2	J857-LH-HG05	1
T2	J857-LH-HG05R	2
T2	J857-LH-HG01A	2
T2	J857-LH-HGD01A	11
T2	J857-LH-HGD02A	9
		258

J857 拦河地盤用鉛型材 T1~T8座&amp;TL座 EI5445 分座數量表(修改版A)

座号	加工图号	数量
T3	LH-DH09	1
T3	LH-DH09A	1
T3	LH-DH10	1
T3	LH-DH10	1
T3	LH-DH11	1
T3	LH-DH116	9
T3	LH-DH116A	4
T3	LH-DH12	1
T3	LH-DH13	1
T3	LH-DH14	1
T3	LH-DH146	1
T3	LH-DH147	1
T3	LH-DH148	1
T3	LH-DH15	1
T3	LH-DH150A	1
T3	LH-DH151	1
T3	LH-DH152	1
T3	LH-DH153	1
T3	LH-DH155	1
T3	LH-DH156	1
T3	LH-DH157	1
T3	LH-DH158	1
T3	LH-DH16	1
T3	LH-DH165	1
T3	LH-DH17	1
T3	LH-DH18	1
T3	LH-DH19	1
T3	LH-DH20	1
T3	LH-DH211	1
T3	LH-DH212	1
T3	LH-DH230	1
T3	LH-DH230A	1
T3	LH-DH231	1
T3	LH-DH240	1
T3	LH-DH241	1
T3	LH-DH300	1
T3	LH-DH301	1

T3	LH-DH39	1
T3	LH-DH40	1
T3	LH-DH43A	1
T3	LH-DH45	1
T3	LH-DH66	1
T3	LH-DH67	1
T3	LH-DH68	1
T3	LH-DH69	1
T3	LH-DH70	1
T3	LH-DH71	1
T3	LH-DH71A	1
T3	LH-DH73	1
T3	LH-DHG09	1
T3	LH-DHG09A	1
T3	LH-DHG10	2
T3	LH-DHG11	1
T3	LH-DHG116	9
T3	LH-DHG116A	4
T3	LH-DHG12	1
T3	LH-DHG13	1
T3	LH-DHG14	1
T3	LH-DHG146	1
T3	LH-DHG147	1
T3	LH-DHG148	1
T3	LH-DHG15	1
T3	LH-DHG150A	1
T3	LH-DHG151	1
T3	LH-DHG152	1
T3	LH-DHG153	1
T3	LH-DHG155	1
T3	LH-DHG156	1
T3	LH-DHG157	1
T3	LH-DHG158	1
T3	LH-DHG16	1
T3	LH-DHG165	1
T3	LH-DHG17	1
T3	LH-DHG18	1
T3	LH-DHG19	1
T3	LH-DHG20	1

T3	LH-DHG211	1
T3	LH-DHG212	1
T3	LH-DHG230	1
T3	LH-DHG230A	1
T3	LH-DHG231	1
T3	LH-DHG240	1
T3	LH-DHG241	1
T3	LH-DHG300	1
T3	LH-DHG301	1
T3	LH-DHG39	1
T3	LH-DHG40	1
T3	LH-DHG43A	1
T3	LH-DHG45	1
T3	LH-DHG66	1
T3	LH-DHG67	1
T3	LH-DHG68	1
T3	LH-DHG69	1
T3	LH-DHG70	1
T3	LH-DHG71	1
T3	LH-DHG71A	1
T3	LH-DHG73	1
T3	LH-LC09	1
T3	LH-LC09A	1
T3	LH-LC10	2
T3	LH-LC11	1
T3	LH-LC116	11
T3	LH-LC116A	2
T3	LH-LC12	1
T3	LH-LC13	1
T3	LH-LC146	1
T3	LH-LC147	1
T3	LH-LC148	1
T3	LH-LC15	1
T3	LH-LC150A	1
T3	LH-LC151	1
T3	LH-LC152	1
T3	LH-LC153	1
T3	LH-LC155	1
T3	LH-LC156	1

T3	LH-LC157	1
T3	LH-LC158	1
T3	LH-LC16	1
T3	LH-LC165	1
T3	LH-LC17	1
T3	LH-LC18	1
T3	LH-LC19	1
T3	LH-LC20	1
T3	LH-LC211	1
T3	LH-LC212	1
T3	LH-LC230	1
T3	LH-LC230	1
T3	LH-LC231	1
T3	LH-LC231	1
T3	LH-LC240	1
T3	LH-LC241	1
T3	LH-LC300	1
T3	LH-LC301	1
T3	LH-LC39	1
T3	LH-LC40	1
T3	LH-LC43A	1
T3	LH-LC45	1
T3	LH-LC66	1
T3	LH-LC68	1
T3	LH-LC69	1
T3	LH-LC70	1
T3	LH-LC71	1
T3	LH-LC71A	1
T3	LH-LC73	1
T3	LH-LV09	1
T3	LH-LV09A	1
T3	LH-LV10	2
T3	LH-LV11	1
T3	LH-LV116	11
T3	LH-LV116A	2
T3	LH-LV12	1
T3	LH-LV13	1
T3	LH-LV146	1
T3	LH-LV147	1

T3	LH-LV148	1
T3	LH-LV15	1
T3	LH-LV150A	1
T3	LH-LV151	1
T3	LH-LV152	1
T3	LH-LV153	1
T3	LH-LV155	1
T3	LH-LV156	1
T3	LH-LV157	1
T3	LH-LV158	1
T3	LH-LV16	1
T3	LH-LV165	1
T3	LH-LV17	1
T3	LH-LV18	1
T3	LH-LV19	1
T3	LH-LV20	1
T3	LH-LV211	1
T3	LH-LV212	1
T3	LH-LV230	2
T3	LH-LV231	2
T3	LH-LV240	1
T3	LH-LV241	1
T3	LH-LV300	1
T3	LH-LV301	1
T3	LH-LV39	1
T3	LH-LV40	1
T3	LH-LV43A	1
T3	LH-LV45	1
T3	LH-LV66	1
T3	LH-LV68	1
T3	LH-LV69	1
T3	LH-LV70	1
T3	LH-LV71	1
T3	LH-LV71A	1
T3	LH-LV73	1
T3	J857-LH-HG01	25
T3	J857-LH-HG02	5
T3	J857-LH-HG03	5
T3	J857-LH-HGD01	25

T3	J857-LH-QG01	43
T3	J857-LH-QGD01	63
T3	J857-LH-HG04	1
T3	J857-LH-HG04R	1
T3	J857-LH-HG05	1
T3	J857-LH-HG05R	1
T3	J857-LH-HG01A	4
T3	J857-LH-HGD01A	27
T3	J857-LH-HGD02A	11
T3	J857-LH-HG06	12
T3	J857-LH-HG07	2
T3	J857-LH-HG08	2
T3	J857-LH-QG02	20
T3	J857-LH-HG09	1
T3	J857-LH-HG09R	1
T3	J857-LH-HG10	1
T3	J857-LH-HG10R	1

J857 拦河地盤用鉛型材 T1~T8座&amp;TL座 EI5445 分座數量表(修改版A)

座号	加工图号	数量
T5	LH-DH116	6
T5	LH-DH148A	1
T5	LH-DH160	1
T5	LH-DH161	1
T5	LH-DH163	1
T5	LH-DH164	1
T5	LH-DH167	1
T5	LH-DH168	1
T5	LH-DH169	1
T5	LH-DH230	1
T5	LH-DH231	1
T5	LH-DH50	1
T5	LH-DH51	2
T5	LH-DH52	1
T5	LH-DH53	1
T5	LH-DH54	1
T5	LH-DH55	1
T5	LH-DH56	1
T5	LH-DH57	1
T5	LH-DH58	1
T5	LH-DH59	1
T5	LH-DH60	1
T5	LH-DH61	1
T5	LH-DH62	1
T5	LH-DH63	1
T5	LH-DH64	1
T5	LH-DH65	1
T5	LH-DHG116	7
T5	LH-DHG148A	1
T5	LH-DHG160	1
T5	LH-DHG161	1
T5	LH-DHG163	1
T5	LH-DHG164	1
T5	LH-DHG167	1
T5	LH-DHG168	1
T5	LH-DHG169	1
T5	LH-DHG230	1

T5	LH-DHG231	1
T5	LH-DHG50	1
T5	LH-DHG51	2
T5	LH-DHG52	1
T5	LH-DHG53	1
T5	LH-DHG54	1
T5	LH-DHG55	1
T5	LH-DHG56	1
T5	LH-DHG57	1
T5	LH-DHG58	1
T5	LH-DHG59	1
T5	LH-DHG60	1
T5	LH-DHG61	1
T5	LH-DHG62	1
T5	LH-DHG63	1
T5	LH-DHG64	1
T5	LH-DHG65	1
T5	LH-LC116	7
T5	LH-LC148A	1
T5	LH-LC160	1
T5	LH-LC161	1
T5	LH-LC163	1
T5	LH-LC164	1
T5	LH-LC167	1
T5	LH-LC168	1
T5	LH-LC169	1
T5	LH-LC230	1
T5	LH-LC231	1
T5	LH-LC50	1
T5	LH-LC51	2
T5	LH-LC52	1
T5	LH-LC53	1
T5	LH-LC54	1
T5	LH-LC55	1
T5	LH-LC56	1
T5	LH-LC57	1
T5	LH-LC58	1
T5	LH-LC59	1
T5	LH-LC60	1

T5	LH-LC61	1
T5	LH-LC62	1
T5	LH-LC63	1
T5	LH-LC64	1
T5	LH-LC65	1
T5	LH-LV116	7
T5	LH-LV148A	1
T5	LH-LV160	1
T5	LH-LV161	1
T5	LH-LV163	1
T5	LH-LV164	1
T5	LH-LV167	1
T5	LH-LV168	1
T5	LH-LV169	1
T5	LH-LV230	1
T5	LH-LV231	1
T5	LH-LV50	1
T5	LH-LV51	2
T5	LH-LV52	1
T5	LH-LV53	1
T5	LH-LV54	1
T5	LH-LV55	1
T5	LH-LV56	1
T5	LH-LV57	1
T5	LH-LV58	1
T5	LH-LV59	1
T5	LH-LV60	1
T5	LH-LV61	1
T5	LH-LV62	1
T5	LH-LV63	1
T5	LH-LV64	1
T5	LH-LV65	1
T5	J857-LH-HG01	18
T5	J857-LH-HG02	5
T5	J857-LH-HG03	5
T5	J857-LH-HGD01	18
T5	J857-LH-QG01	34
T5	J857-LH-QGD01	34
T5	J857-LH-HG04	1

T5	J857-LH-HG04R	1
T5	J857-LH-HG05	1
T5	J857-LH-HG05R	1
T5	J857-LH-HG01A	2
T5	J857-LH-HGD01A	9
T5	J857-LH-HGD02A	7
		271

J857 拦河 地盤用鉛型材 T1~T8座&amp;TL座 EI5445 分座數量表(修改版A)

座号	加工图号	数量
T6	LH-DH09A	1
T6	LH-DH10	2
T6	LH-DH10	1
T6	LH-DH11	1
T6	LH-DH116	9
T6	LH-DH116A	4
T6	LH-DH12	1
T6	LH-DH13	1
T6	LH-DH144	1
T6	LH-DH15	1
T6	LH-DH150	1
T6	LH-DH155A	1
T6	LH-DH16	1
T6	LH-DH165A	1
T6	LH-DH17	1
T6	LH-DH172	1
T6	LH-DH173	1
T6	LH-DH176	1
T6	LH-DH177	1
T6	LH-DH178	1
T6	LH-DH18	1
T6	LH-DH19	1
T6	LH-DH20	1
T6	LH-DH209	1
T6	LH-DH210	1
T6	LH-DH230	1
T6	LH-DH230A	1
T6	LH-DH231	1
T6	LH-DH231A	1
T6	LH-DH240	1
T6	LH-DH241	1
T6	LH-DH302	1
T6	LH-DH303	1
T6	LH-DH40	1
T6	LH-DH41	1
T6	LH-DH42	1
T6	LH-DH43	1

T6	LH-DH44	1
T6	LH-DH45	1
T6	LH-DH46	1
T6	LH-DH46B	1
T6	LH-DH47	1
T6	LH-DH48	1
T6	LH-DH49	1
T6	LH-DHG09A	1
T6	LH-DHG10	2
T6	LH-DHG10	1
T6	LH-DHG11	1
T6	LH-DHG116	9
T6	LH-DHG116A	4
T6	LH-DHG12	1
T6	LH-DHG13	1
T6	LH-DHG144	1
T6	LH-DHG15	1
T6	LH-DHG150	1
T6	LH-DHG155A	1
T6	LH-DHG16	1
T6	LH-DHG165A	1
T6	LH-DHG17	1
T6	LH-DHG172	1
T6	LH-DHG173	1
T6	LH-DHG176	1
T6	LH-DHG177	1
T6	LH-DHG178	1
T6	LH-DHG18	1
T6	LH-DHG19	1
T6	LH-DHG20	1
T6	LH-DHG209	1
T6	LH-DHG210	1
T6	LH-DHG230	1
T6	LH-DHG230A	1
T6	LH-DHG231	1
T6	LH-DHG231A	1
T6	LH-DHG240	1
T6	LH-DHG241	1
T6	LH-DHG302	1

T6	LH-DHG303	1
T6	LH-DHG40	1
T6	LH-DHG41	1
T6	LH-DHG42	1
T6	LH-DHG43	1
T6	LH-DHG44	1
T6	LH-DHG45	1
T6	LH-DHG46	1
T6	LH-DHG46B	1
T6	LH-DHG47	1
T6	LH-DHG48	1
T6	LH-DHG49	1
T6	LH-LC09	1
T6	LH-LC09A	1
T6	LH-LC10	1
T6	LH-LC11	1
T6	LH-LC116	9
T6	LH-LC116A	4
T6	LH-LC12	1
T6	LH-LC13	1
T6	LH-LC144	1
T6	LH-LC15	1
T6	LH-LC150	1
T6	LH-LC155A	1
T6	LH-LC16	1
T6	LH-LC165A	1
T6	LH-LC17	1
T6	LH-LC172	1
T6	LH-LC173	1
T6	LH-LC174	1
T6	LH-LC176	1
T6	LH-LC177	1
T6	LH-LC178	1
T6	LH-LC18	1
T6	LH-LC19	1
T6	LH-LC20	1
T6	LH-LC209	1
T6	LH-LC210	1
T6	LH-LC230	1

T6	LH-LC231	1
T6	LH-LC231	1
T6	LH-LC240	1
T6	LH-LC241	1
T6	LH-LC302	1
T6	LH-LC303	1
T6	LH-LC40	1
T6	LH-LC41	1
T6	LH-LC42	1
T6	LH-LC43	1
T6	LH-LC44	1
T6	LH-LC45	1
T6	LH-LC46	1
T6	LH-LC46B	1
T6	LH-LC47	1
T6	LH-LC48	1
T6	LH-LC49	1
T6	LH-LV09	1
T6	LH-LV09A	1
T6	LH-LV10	1
T6	LH-LV11	1
T6	LH-LV116	9
T6	LH-LV116A	4
T6	LH-LV12	1
T6	LH-LV13	1
T6	LH-LV144	1
T6	LH-LV15	1
T6	LH-LV150	1
T6	LH-LV155A	1
T6	LH-LV16	1
T6	LH-LV165A	1
T6	LH-LV17	1
T6	LH-LV172	1
T6	LH-LV173	1
T6	LH-LV174	1
T6	LH-LV176	1
T6	LH-LV177	1
T6	LH-LV178	1
T6	LH-LV18	1

T6	LH-LV19	1
T6	LH-LV20	1
T6	LH-LV209	1
T6	LH-LV210	1
T6	LH-LV230	1
T6	LH-LV231	1
T6	LH-LV231	1
T6	LH-LV240	1
T6	LH-LV241	1
T6	LH-LV302	1
T6	LH-LV303	1
T6	LH-LV40	1
T6	LH-LV41	1
T6	LH-LV42	1
T6	LH-LV43	1
T6	LH-LV44	1
T6	LH-LV45	1
T6	LH-LV46	1
T6	LH-LV46B	1
T6	LH-LV47	1
T6	LH-LV48	1
T6	LH-LV49	1
T6	J857-LH-HG01	25
T6	J857-LH-HG02	5
T6	J857-LH-HG03	5
T6	J857-LH-HGD01	25
T6	J857-LH-QG01	43
T6	J857-LH-QGD01	63
T6	J857-LH-HG04	1
T6	J857-LH-HG04R	1
T6	J857-LH-HG05	1
T6	J857-LH-HG05R	1
T6	J857-LH-HG01A	4
T6	J857-LH-HGD01A	27
T6	J857-LH-HGD02A	11
T6	J857-LH-HG06	12
T6	J857-LH-HG07	2
T6	J857-LH-HG08	2
T6	J857-LH-QG02	20

T6	J857-LH-HG09	1
T6	J857-LH-HG09R	1
T6	J857-LH-HG10	1
T6	J857-LH-HG10R	1
		474

J857 拦河地盤用鉛型材 T1~T8座&amp;TL座 EI5445 分座數量表(修改版A)

座号	加工图号	数量
T7	LH-DH01	1
T7	LH-DH108A	1
T7	LH-DH123	1
T7	LH-DH124	1
T7	LH-DH136	1
T7	LH-DH137	1
T7	LH-DH138	1
T7	LH-DH139	1
T7	LH-DH13B	1
T7	LH-DH140	1
T7	LH-DH142	1
T7	LH-DH142A	1
T7	LH-DH145	1
T7	LH-DH174	1
T7	LH-DH180	1
T7	LH-DH230	1
T7	LH-DH231	1
T7	LH-DH27	1
T7	LH-DH28	1
T7	LH-DH29	1
T7	LH-DH30	1
T7	LH-DH31	1
T7	LH-DH32	1
T7	LH-DH33	1
T7	LH-DH34	1
T7	LH-DH35	1
T7	LH-DH36	1
T7	LH-DH37	1
T7	LH-DH38	1
T7	LH-DH39	1
T7	LH-DH49	1
T7	LH-DHG01	1
T7	LH-DHG108A	1
T7	LH-DHG123	1
T7	LH-DHG124	1
T7	LH-DHG136	1
T7	LH-DHG137	1

T7	LH-DHG138	1
T7	LH-DHG139	1
T7	LH-DHG13B	1
T7	LH-DHG140	1
T7	LH-DHG142	1
T7	LH-DHG142A	1
T7	LH-DHG145	1
T7	LH-DHG174	1
T7	LH-DHG180	1
T7	LH-DHG230	1
T7	LH-DHG231	1
T7	LH-DHG27	1
T7	LH-DHG28	1
T7	LH-DHG29	1
T7	LH-DHG30	1
T7	LH-DHG31	1
T7	LH-DHG32	1
T7	LH-DHG33	1
T7	LH-DHG34	1
T7	LH-DHG35	1
T7	LH-DHG36	1
T7	LH-DHG37	1
T7	LH-DHG38	1
T7	LH-DHG39	1
T7	LH-DHG49	1
T7	LH-LC01	1
T7	LH-LC108A	1
T7	LH-LC123	1
T7	LH-LC1230	1
T7	LH-LC124	1
T7	LH-LC136	1
T7	LH-LC137	1
T7	LH-LC138	1
T7	LH-LC139	1
T7	LH-LC13B	1
T7	LH-LC140	1
T7	LH-LC142	1
T7	LH-LC142A	1
T7	LH-LC145	1

T7	LH-LC174	1
T7	LH-LC180	1
T7	LH-LC231	1
T7	LH-LC235	1
T7	LH-LC27	1
T7	LH-LC28	1
T7	LH-LC29	1
T7	LH-LC30	1
T7	LH-LC31	1
T7	LH-LC32	1
T7	LH-LC33	1
T7	LH-LC34	1
T7	LH-LC35	1
T7	LH-LC36	1
T7	LH-LC37	1
T7	LH-LC38	1
T7	LH-LC39	1
T7	LH-LC49	1
T7	LH-LV01	1
T7	LH-LV108A	1
T7	LH-LV123	1
T7	LH-LV1230	1
T7	LH-LV124	1
T7	LH-LV136	1
T7	LH-LV137	1
T7	LH-LV138	1
T7	LH-LV139	1
T7	LH-LV13B	1
T7	LH-LV140	1
T7	LH-LV142	1
T7	LH-LV142A	1
T7	LH-LV145	1
T7	LH-LV174	1
T7	LH-LV180	1
T7	LH-LV231	1
T7	LH-LV235	1
T7	LH-LV27	1
T7	LH-LV28	1
T7	LH-LV29	1

T7	LH-LV30	1
T7	LH-LV31	1
T7	LH-LV32	1
T7	LH-LV33	1
T7	LH-LV34	1
T7	LH-LV35	1
T7	LH-LV36	1
T7	LH-LV37	1
T7	LH-LV38	1
T7	LH-LV39	1
T7	LH-LV49	1
T7	J857-LH-HG01	12
T7	J857-LH-HG02	6
T7	J857-LH-HG03	6
T7	J857-LH-HGD01	12
T7	J857-LH-QG01	32
T7	J857-LH-QGD01	32
T7	J857-LH-HG04	2
T7	J857-LH-HG04R	1
T7	J857-LH-HG05	2
T7	J857-LH-HG05R	1
T7	J857-LH-HG01A	2
T7	J857-LH-HGD01A	11
T7	J857-LH-HGD02A	9
T7		254

J857 拦河 地盤用铝型材 T1~T8座&amp;TL座 EI5445 分座数量表(修改版A)

座号	加工图号	数量
T8	LH-DH01	1
T8	LH-DH02	1
T8	LH-DH03	1
T8	LH-DH04	1
T8	LH-DH05	1
T8	LH-DH06	1
T8	LH-DH07	1
T8	LH-DH08	1
T8	LH-DH09	1
T8	LH-DH09A	1
T8	LH-DH10	2
T8	LH-DH11	1
T8	LH-DH116	11
T8	LH-DH116A	4
T8	LH-DH12	1
T8	LH-DH13	1
T8	LH-DH144A	1
T8	LH-DH145A	1
T8	LH-DH15	1
T8	LH-DH16	2
T8	LH-DH17	1
T8	LH-DH175	1
T8	LH-DH18	1
T8	LH-DH183	1
T8	LH-DH185	1
T8	LH-DH186	1
T8	LH-DH187	1
T8	LH-DH188	1
T8	LH-DH19	1
T8	LH-DH190	1
T8	LH-DH191	1
T8	LH-DH20	1
T8	LH-DH205	1
T8	LH-DH206	1
T8	LH-DH21	1

T8	LH-DH213	1
T8	LH-DH214	1
T8	LH-DH215	1
T8	LH-DH22	1
T8	LH-DH225	1
T8	LH-DH23	1
T8	LH-DH230	1
T8	LH-DH230A	1
T8	LH-DH231	1
T8	LH-DH231A	1
T8	LH-DH24	1
T8	LH-DH240	1
T8	LH-DH241	1
T8	LH-DH25	1
T8	LH-DH26	1
T8	LH-DH46A	1

T8	LH-DHG01	1
T8	LH-DHG02	1
T8	LH-DHG03	1
T8	LH-DHG04	1
T8	LH-DHG05	1
T8	LH-DHG06	1
T8	LH-DHG07	1
T8	LH-DHG08	1
T8	LH-DHG09	1
T8	LH-DHG09A	1
T8	LH-DHG10	2
T8	LH-DHG11	1
T8	LH-DHG116	11
T8	LH-DHG116A	4
T8	LH-DHG12	1
T8	LH-DHG13	1
T8	LH-DHG144A	1
T8	LH-DHG145A	1
T8	LH-DHG15	1
T8	LH-DHG16	2
T8	LH-DHG17	1
T8	LH-DHG175	1
T8	LH-DHG18	1
T8	LH-DHG183	1
T8	LH-DHG185	1
T8	LH-DHG186	1
T8	LH-DHG187	1
T8	LH-DHG188	1
T8	LH-DHG19	1
T8	LH-DHG190	1
T8	LH-DHG191	1
T8	LH-DHG20	1
T8	LH-DHG205	1
T8	LH-DHG206	1
T8	LH-DHG21	1
T8	LH-DHG213	1
T8	LH-DHG214	1

T8	LH-DHG215	1
T8	LH-DHG22	1
T8	LH-DHG225	1
T8	LH-DHG23	1
T8	LH-DHG230	1
T8	LH-DHG230A	1
T8	LH-DHG231	1
T8	LH-DHG231A	1
T8	LH-DHG24	1
T8	LH-DHG240	1
T8	LH-DHG241	1
T8	LH-DHG25	1
T8	LH-DHG26	1
T8	LH-DHG46A	1
T8	LH-LC01	1
T8	LH-LC02	1
T8	LH-LC03	1
T8	LH-LC04	1
T8	LH-LC05	1
T8	LH-LC06	1
T8	LH-LC07	1
T8	LH-LC08	1
T8	LH-LC09	1
T8	LH-LC09A	1
T8	LH-LC10	2
T8	LH-LC11	1
T8	LH-LC116	11
T8	LH-LC116A	4
T8	LH-LC12	1
T8	LH-LC13	1
T8	LH-LC144A	1
T8	LH-LC145A	1
T8	LH-LC15	1
T8	LH-LC16	2
T8	LH-LC17	1
T8	LH-LC175	1
T8	LH-LC18	1

T8	LH-LC182	1
T8	LH-LC183	1
T8	LH-LC185	1
T8	LH-LC186	1
T8	LH-LC187	1
T8	LH-LC188	1
T8	LH-LC19	1
T8	LH-LC190	1
T8	LH-LC191	1
T8	LH-LC192	1
T8	LH-LC193	1
T8	LH-LC20	1
T8	LH-LC205	1
T8	LH-LC206	1
T8	LH-LC21	1
T8	LH-LC213	1
T8	LH-LC214	1
T8	LH-LC215	1
T8	LH-LC22	1
T8	LH-LC225	1
T8	LH-LC23	1
T8	LH-LC230	1
T8	LH-LC230	1
T8	LH-LC231	1
T8	LH-LC231	1
T8	LH-LC24	1
T8	LH-LC240	1
T8	LH-LC241	1
T8	LH-LC25	1
T8	LH-LC26	1
T8	LH-LC28	1
T8	LH-LC46A	1
T8	LH-LV01	1
T8	LH-LV02	1
T8	LH-LV03	1
T8	LH-LV04	1
T8	LH-LV05	1

T8	LH-LV06	1
T8	LH-LV07	1
T8	LH-LV08	1
T8	LH-LV09	1
T8	LH-LV09A	1
T8	LH-LV10	2
T8	LH-LV11	1
T8	LH-LV116	11
T8	LH-LV116A	4
T8	LH-LV12	1
T8	LH-LV13	1
T8	LH-LV144A	1
T8	LH-LV145A	1
T8	LH-LV15	1
T8	LH-LV16	2
T8	LH-LV17	1
T8	LH-LV175	1
T8	LH-LV18	1
T8	LH-LV182	1
T8	LH-LV183	1
T8	LH-LV185	1
T8	LH-LV186	1
T8	LH-LV187	1
T8	LH-LV188	1
T8	LH-LV19	1
T8	LH-LV190	1
T8	LH-LV191	1
T8	LH-LV192	1
T8	LH-LV193	1
T8	LH-LV20	1
T8	LH-LV205	1
T8	LH-LV206	1
T8	LH-LV21	1
T8	LH-LV213	1
T8	LH-LV214	1
T8	LH-LV215	1
T8	LH-LV22	1

T8	LH-LV225	1
T8	LH-LV23	1
T8	LH-LV230	1
T8	LH-LV230	1
T8	LH-LV231	1
T8	LH-LV231	1
T8	LH-LV24	1
T8	LH-LV240	1
T8	LH-LV241	1
T8	LH-LV25	1
T8	LH-LV26	1
T8	LH-LV28	1
T8	LH-LV46A	1
T8	J857-LH-HG01	29
T8	J857-LH-HG02	5
T8	J857-LH-HG03	7
T8	J857-LH-HGD01	29
T8	J857-LH-QG01	49
T8	J857-LH-QGD01	75
T8	J857-LH-HG04	1
T8	J857-LH-HG04R	1
T8	J857-LH-HG05	1
T8	J857-LH-HG05R	1
T8	J857-LH-HG01A	4
T8	J857-LH-HGD01A	31
T8	J857-LH-HGD02A	15
T8	J857-LH-HG06	17
T8	J857-LH-HG07	1
T8	J857-LH-HG08	4
T8	J857-LH-QG02	26
T8	J857-LH-HG09	1
T8	J857-LH-HG09R	1
T8	J857-LH-HG10	1
T8	J857-LH-HG10R	1

J857 拦河地盤用鉛型材 T1~T8座&amp;TL座 EI5445 分座數量表(修改版A)

座号	加工图号	数量
L座	J857-LH-SZ01	3
L座	J857-LH-SZ02	1
L座	J857-LH-SZ03	3
L座	J857-LH-SZ04	2
L座	J857-LH-SZ05	3
L座		12