



工程指示 / 要求簡箋 ENGINEER INSTRUCTIONS(E.I.)

工程指示編號:	EI- 4708	修改版本:	A
	HK- /		
工程編號:	J 857	工程名稱:	啟德6552
收件人:	Maggie Lor	發件人:	Nero HO
工程項目:	屋頂欄河 - 地盤用預留碼(T5-T8座)	日期:	20/09/2022

<input type="checkbox"/> 原合約工程包	<input type="checkbox"/> 原合約工程加 / 減賬 QT-	<input type="checkbox"/> 新工程報價 QT-
---------------------------------	------------------------------------------	------------------------------------

信件批核號碼/圖紙參考編號:	批核模具圖紙編號:
客戶指示附件:	管理內部批簽署:

<input type="checkbox"/> 初步鋁料 B.M.	<input type="checkbox"/> 加工拆圖, 然後生產	<input type="checkbox"/> 尺寸表
<input type="checkbox"/> 正式鋁料 B.M.	<input type="checkbox"/> 技術上資料/指示	<input type="checkbox"/> 報價
<input type="checkbox"/> 配件 B.M.	<input type="checkbox"/> 樣辦或貨品說明書	<input type="checkbox"/> 分判合約
<input type="checkbox"/> 其他:		

內容:	由於已獲取BD批圖, 因此可以放行生產加工。 請按附件資料生產加工, 送地盤。 廠驗焊: Fillet Weld: 100%目測, 10%磁粉。 驗焊報告: 1) 項目名稱: Kai Tak Area 4C Site 2, Kai Tak, Kowloon - N.K.I.L.6552. 2) 位置: Superstructure – Glass and Metal Balustrade, AC Grille and Ceiling
完成上列要求日期:	11月尾

國內

<input type="checkbox"/> 生產技術總監	<input type="checkbox"/> 連附件	<input type="checkbox"/> 技術部	<input type="checkbox"/> 連附件	<input type="checkbox"/> 生產部	<input type="checkbox"/> 連附件
<input type="checkbox"/> 採購部	<input type="checkbox"/> 連附件	<input type="checkbox"/> 生產統籌部	<input type="checkbox"/> 連附件	<input type="checkbox"/> 報關組	<input type="checkbox"/> 連附件
<input type="checkbox"/> 質檢部	<input type="checkbox"/> 連附件	<input type="checkbox"/> 會計部	<input type="checkbox"/> 連附件	<input type="checkbox"/> 機械設計部	<input type="checkbox"/> 連附件
<input type="checkbox"/> 香港辦	<input type="checkbox"/> 連附件	<input type="checkbox"/> 其他:			

<input type="checkbox"/> 行政部	<input type="checkbox"/> 連附件	<input type="checkbox"/> 會計部	<input type="checkbox"/> 連附件	<input type="checkbox"/> 統籌部	<input type="checkbox"/> 連附件	<input type="checkbox"/> 工程部	<input type="checkbox"/> 連附件
<input checked="" type="checkbox"/> 採購部	<input checked="" type="checkbox"/> 連附件	<input type="checkbox"/> QS部	<input type="checkbox"/> 連附件	<input checked="" type="checkbox"/> 地盤管理	<input checked="" type="checkbox"/> 連附件	<input type="checkbox"/> 維修部	<input type="checkbox"/> 連附件

*發件人簽署:	<i>Mc</i>	*組別成員批核簽署:	
傳遞編號:	/	項目經理簽署:	<i>AP</i>



YOUR REF 來函編號: **BD 3/4056/19 Pt.IV**
OUR REF 本署編號: **2845 1660**
FAX 圖文傳真: **3106 3173**
TEL 電話: **3106 3173**
WEBSITE 網址: **www.bd.gov.hk**

22 June 2022

CHAN Bong Kwok
11/F, Universal Trade Centre,
3-5A Arbuthnot Road,
Central, Hong Kong

911-209

Dear Sir,

Kai Tak Area 4C Site 2, Kai Tak, Kowloon -
N.K.I.L. 6552

I refer to your application dated received on 26 May 2022 for approval of proposals in respect of Superstructure - Glass and Metal Balustrade, AC Grille and Ceiling (Amendment) and the application for consent to the commencement and carrying out of the above building works.

2. Your submission of plans has been checked under the curtailed check system announced in Practice Note for Authorized Persons, Registered Structural Engineers and Registered Geotechnical Engineers ADM-19. On this basis, I am satisfied that your submission is fundamentally acceptable and may be approved.

3. You are reminded that the curtailed check system covers only the fundamental issues of a building proposal. Although non-fundamental issues will not be raised as reasons for disapproving a submission, I expect that all contraventions of the Buildings Ordinance and its subsidiary legislation are rectified as and when they are discovered and in any event, before completion of the works is certified. In this connection, I ask you to note that the Building Authority attaches great importance to the proper assumption of duties and responsibilities by authorized persons and registered structural engineers.

4. In accordance with the provisions of regulation 30(1) of the Building (Administration) Regulations, this is to notify that the above - mentioned plans submitted with your application dated received on 26 May 2022 are hereby approved. One set of the said plans, on which I have signified my approval, is enclosed. Your client has been sent a copy of this letter but I would request that you ensure that the contents are understood by him.

5. This approval should not be deemed to confer any title to land or to act as a waiver of any term in any lease or licence. Section 14(2) of the Buildings Ordinance refers.

6. Consent to the commencement and carrying out of the above Superstructure - Glass and Metal Balustrade, AC Grille and Ceiling (Amendment) is given in the Form BD103 enclosed. You are reminded to ensure that the plans now approved are compatible with all previously approved plans, any conditions imposed are fulfilled and no works are carried out before all required plans have been approved and consent given. Your attention is drawn to paragraph 10 of Practice Note for Authorized Persons, Registered Structural Engineers and Registered Geotechnical Engineers APP-97.

/7,.....

S.L.9A (11/2009)

BD REF: BD 3/4056/19
 F.S.N. REF:

BD AMENDMENT

The works shown on these plans are Type B works
 Superstructure - Glass and Metal Balustrade,
 A/C Grille and Ceiling.
 The contractor shall be responsible for obtaining all necessary
 permits from the relevant authorities and for compliance with the
 Building (Amendment) Regulations.

ALL WORKMANSHIP SHALL BE IN ACCORDANCE WITH THE BIDDING DOCUMENTS
 ALL AMENDMENTS TO THE PROVISIONS APPLIED WORKS
 HAVE BEEN RECHECKED AND SHALL BE RECHECKED IN
 CASE OF ANY AMENDMENTS RECHECKED FOR COMPLIANCE
 SUBMITTED TO THE ISSUING AUTHORITY AT SUBMITTAL

CLIENT: MARBLE EDGE INVESTMENT LTD.

ARCHITECT: RONALD LU & PARTNERS
 REGISTERED ARCHITECTS

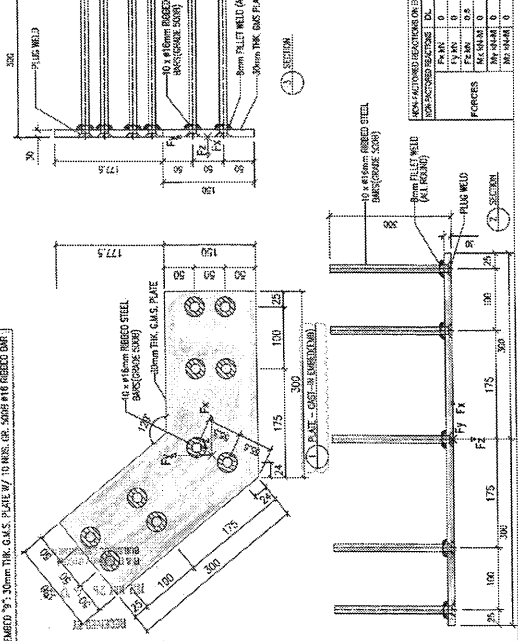
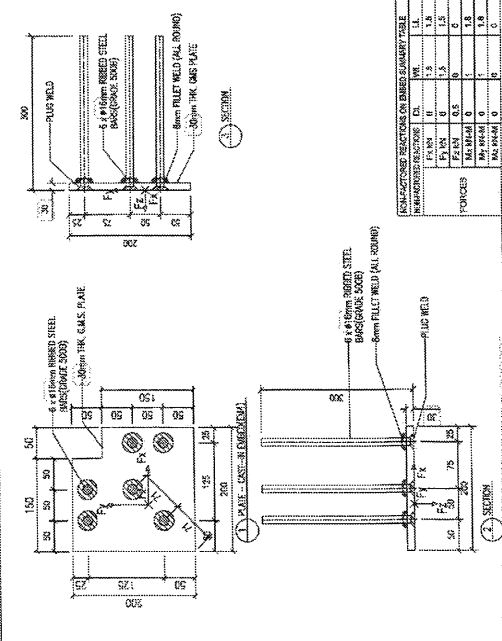
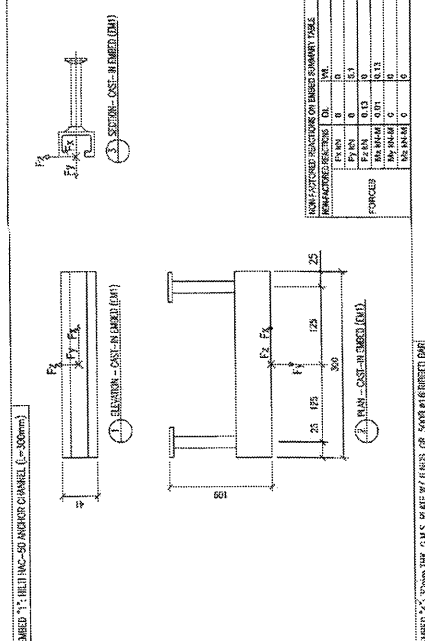
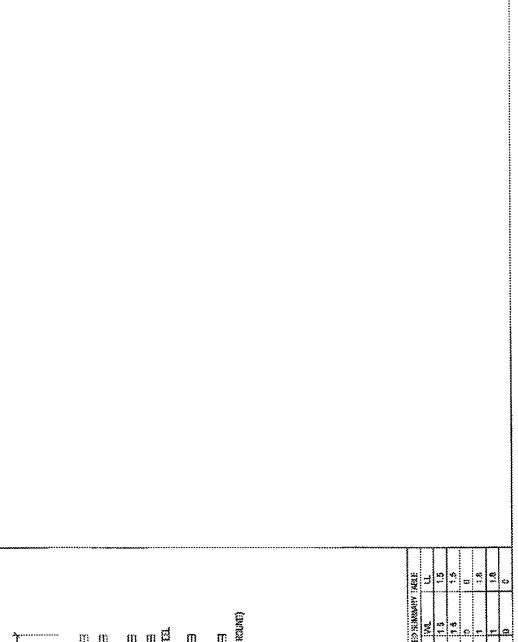
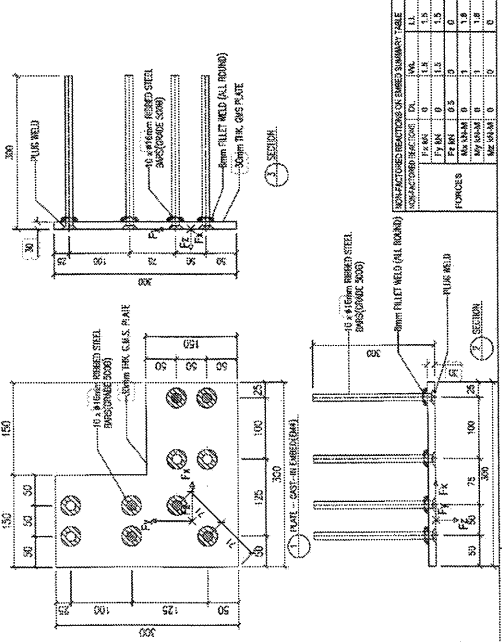
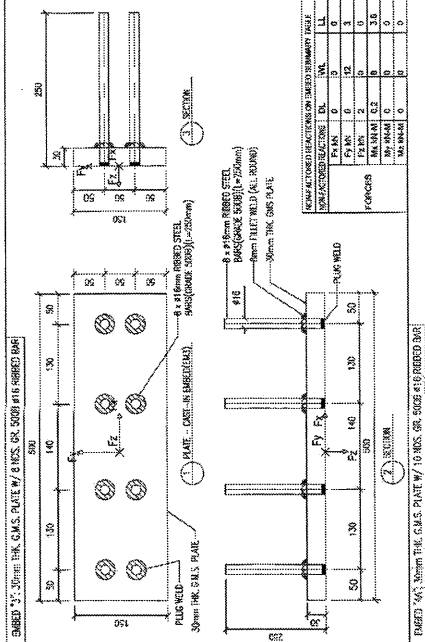
STRUCTURAL ENGINEERS: CMA
 CHOW MAN WING & ASSOCIATES LTD

MAIN CONTRACTOR: Inhabit
 裕民建築有限公司

PROJECT: PROPOSED RESIDENTIAL DEVELOPMENT AT NEW KOWLOON INLAND LOT, NO.6552

TITLE: TOWER GLASS BALUSTRADE PARTIAL ELEVATION & PLAN & SECTION

DATE: 18.03.2022
 SCALE: AS SHOWN
 SHEET NO.: 01
 DRAWN BY: ZGH
 CHECKED BY: HZC
 DATE: 18.03.2022
 DRAWN BY: ZGH
 CHECKED BY: HZC
 DATE: 18.03.2022
 SHEET NO.: 01
 DRAWN BY: ZGH
 CHECKED BY: HZC
 DATE: 18.03.2022
 SHEET NO.: 01



Structural Engineer
 CHOW MAN WING
 CHOW MAN WING & ASSOCIATES LTD

REINFORCEMENT SUMMARY TABLE

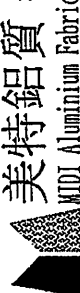
NO.	DESCRIPTION	UNIT	QTY
1	10# 1800mm x 1800mm	m ²	0
2	10# 1800mm x 1800mm	m ²	0
3	10# 1800mm x 1800mm	m ²	0
4	10# 1800mm x 1800mm	m ²	0
5	10# 1800mm x 1800mm	m ²	0
6	10# 1800mm x 1800mm	m ²	0
7	10# 1800mm x 1800mm	m ²	0
8	10# 1800mm x 1800mm	m ²	0
9	10# 1800mm x 1800mm	m ²	0
10	10# 1800mm x 1800mm	m ²	0

REINFORCEMENT SUMMARY TABLE

NO.	DESCRIPTION	UNIT	QTY
1	10# 1800mm x 1800mm	m ²	0
2	10# 1800mm x 1800mm	m ²	0
3	10# 1800mm x 1800mm	m ²	0
4	10# 1800mm x 1800mm	m ²	0
5	10# 1800mm x 1800mm	m ²	0
6	10# 1800mm x 1800mm	m ²	0
7	10# 1800mm x 1800mm	m ²	0
8	10# 1800mm x 1800mm	m ²	0
9	10# 1800mm x 1800mm	m ²	0
10	10# 1800mm x 1800mm	m ²	0

REINFORCEMENT SUMMARY TABLE

NO.	DESCRIPTION	UNIT	QTY
1	10# 1800mm x 1800mm	m ²	0
2	10# 1800mm x 1800mm	m ²	0
3	10# 1800mm x 1800mm	m ²	0
4	10# 1800mm x 1800mm	m ²	0
5	10# 1800mm x 1800mm	m ²	0
6	10# 1800mm x 1800mm	m ²	0
7	10# 1800mm x 1800mm	m ²	0
8	10# 1800mm x 1800mm	m ²	0
9	10# 1800mm x 1800mm	m ²	0
10	10# 1800mm x 1800mm	m ²	0

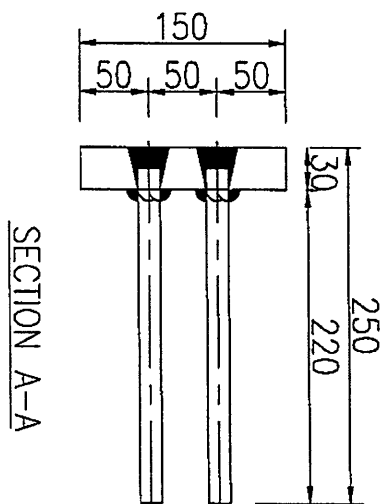
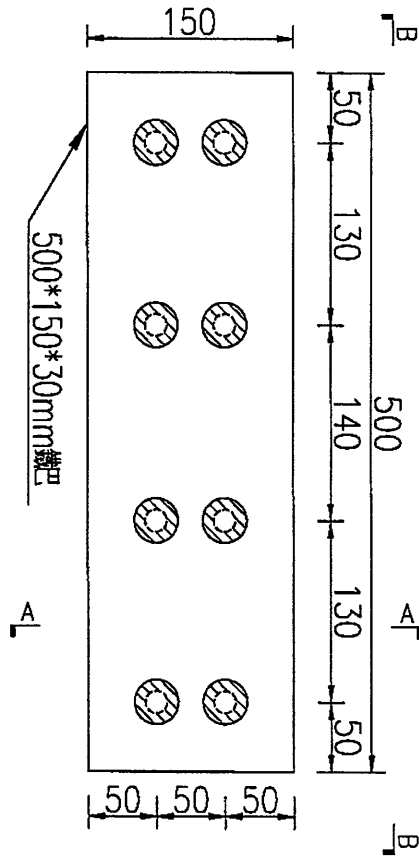
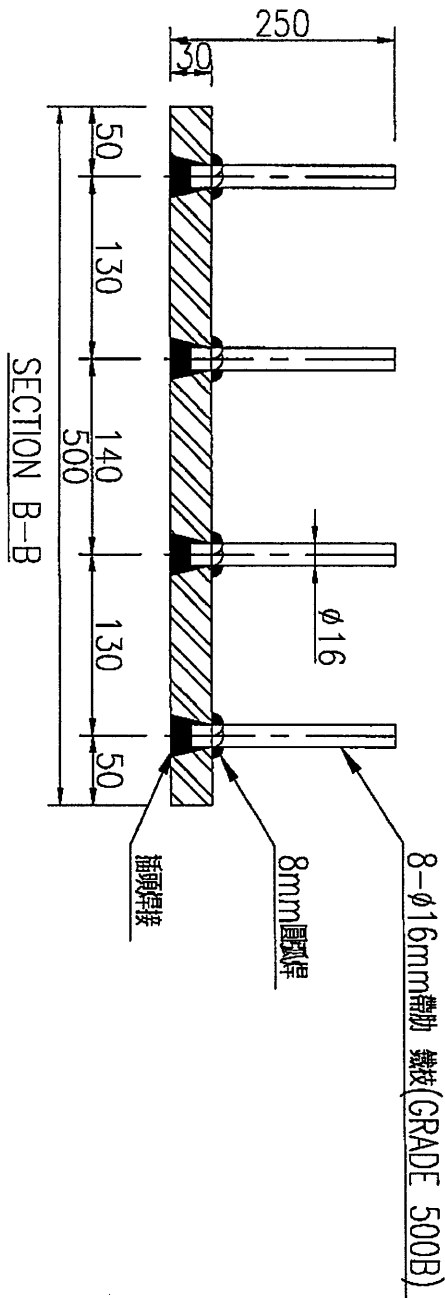
 美特鋁質有限公司 MIDI Aluminium Fabricator Ltd.		工程號: J-857	計算:	WYY	日期: 16/05/2022	送呈:施哥					
地盤名稱: 啟德6552		項目類別: 擱河預埋鐵件	核對:	日期:	副本:						
修改版次:		A/C Code:	批准:	日期:							
BM編號:		鐵件總重量KG:		4339.15		此BM依據最新施工圖資料計算					
序號	修改內容	鐵件圖號	圖紙名稱	顏色	實用	後備	總數	單位	單件 (kg)	總重量 (kg)	備注
1		J857-LH-EM03	鐵件加工圖	熱浸鍍鋅	136	0	136	件	20.819	2831.407	T5-T8
2		J857-LH-EM04	鐵件加工圖	熱浸鍍鋅	13	0	13	件	12.261	159.392	T5-T8
3		J857-LH-EM04a	鐵件加工圖	熱浸鍍鋅	52	0	52	件	25.930	1348.355	T5-T8
4					合計:		201	件	4339.155		KG
加工說明											
1.所有需燒焊之鐵件均需驗磁粉焊10%,目測100%,除特別注明外,詳見附件8.56-1 2.所有鐵件均需熱浸鍍鋅,材質為Grade S275(BS EN10025 & EN10210)及花鐵枝 Grade 500B (須提供測試報告根據 CS2 2012, Mill Cert. Tensile, Rebend, Chemical and Bond Property) 3.加工成品分三批交地盤,到貨前需提前三至五天聯絡地盤負責人以便安排申請入關紙及告知來貨詳情											



美特鋁質 有限公司
MIDI Aluminium Fabricator Ltd.

產品編號	L(MM)	數量	A	N	M	B	N1	M1	備註
		136							

工程號	J857	地盤	啓德6552
-----	------	----	--------



名稱	鐵件加工圖	制圖	WYY	2022-05-16	修改			
材料	詳見加工圖	復核			日期			
顏色	熱浸鍍鋅	批准			圖號	J857-LH-EM03		

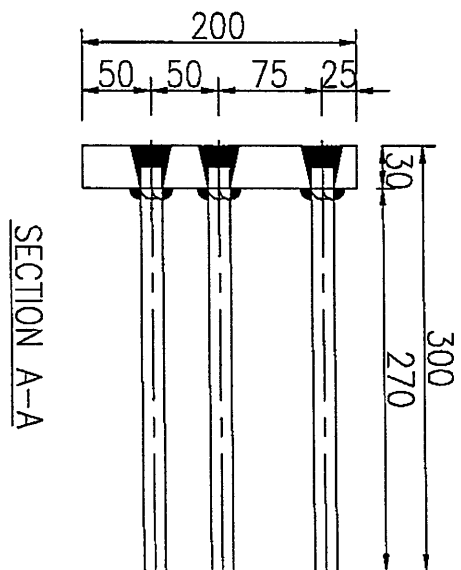
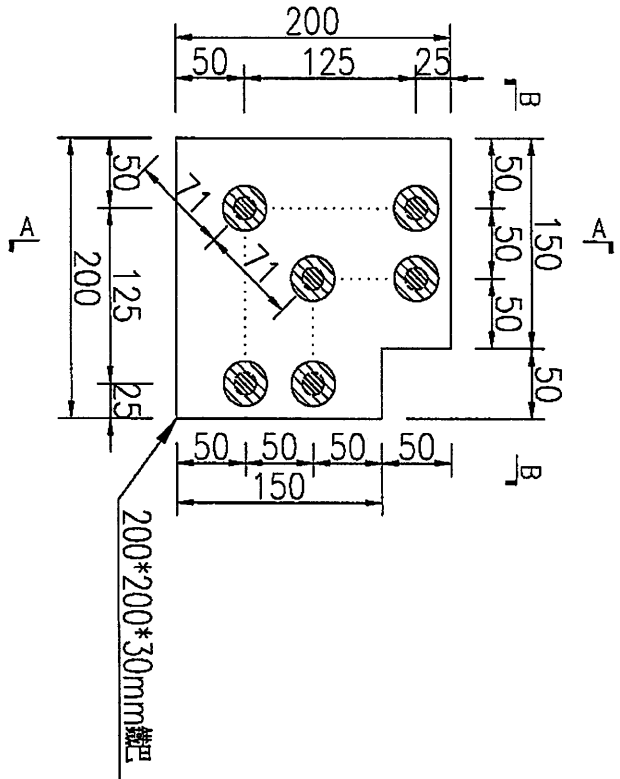
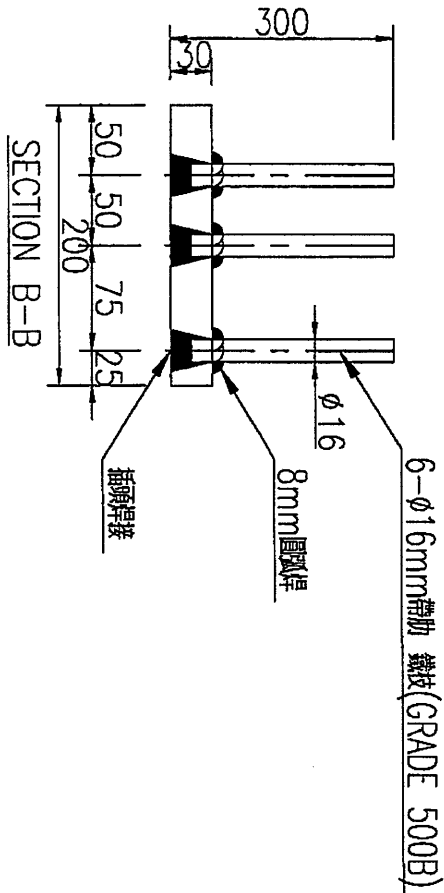
EG-DWG3



美特鋁質 有限公司
MIDI Aluminium Fabricator Ltd.

產品編號	L(MM)	數量	A	N	M	B	N1	M1	備註
		13							

工程號 | J857 | 地盤 | 啓德6552



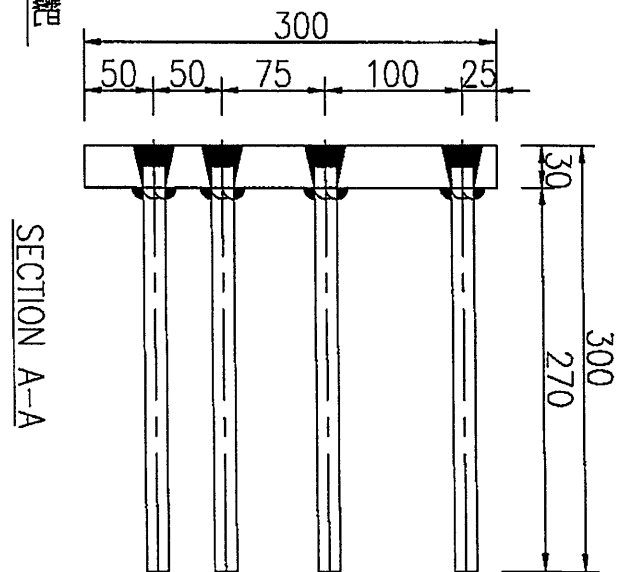
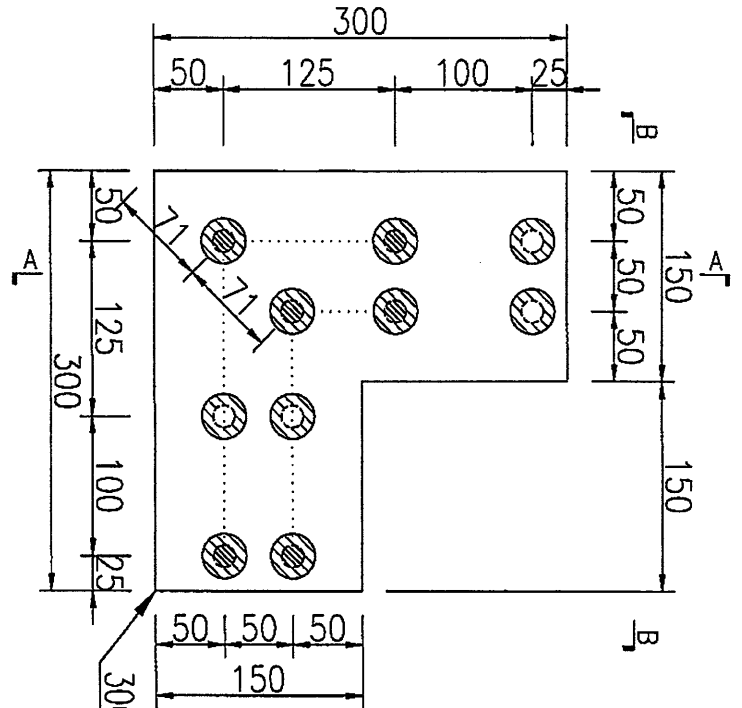
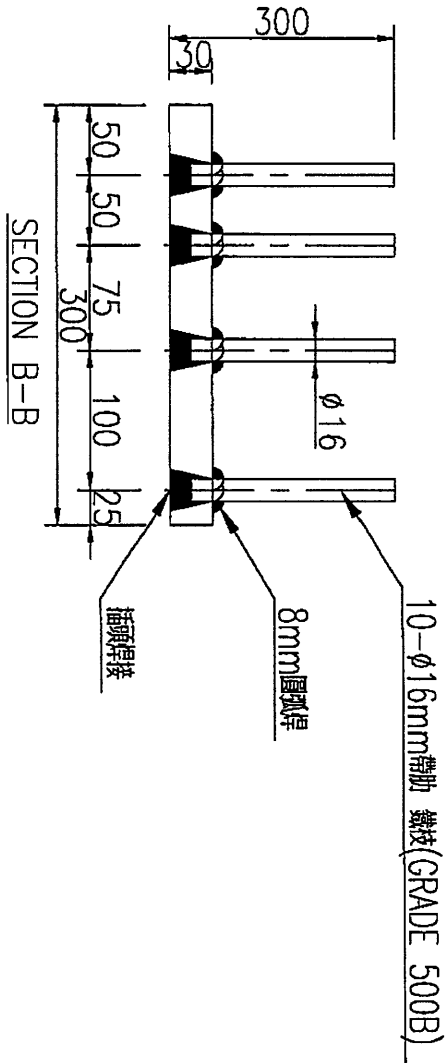
名稱	鐵件加工圖	制圖	WYY	2022-05-16	修改			
材料	詳見加工圖	復核			日期			
顏色	熱浸鍍鋅	批准			圖號	J857-LH-EM04		

EG-DWG3


美特鋁質 有限公司
 MIDI Aluminium Fabricator Ltd.

產品編號	L(MM)	數量	A	N	M	B	N1	M1	備註
		52							

工程號 J857 地盤 啓德6552

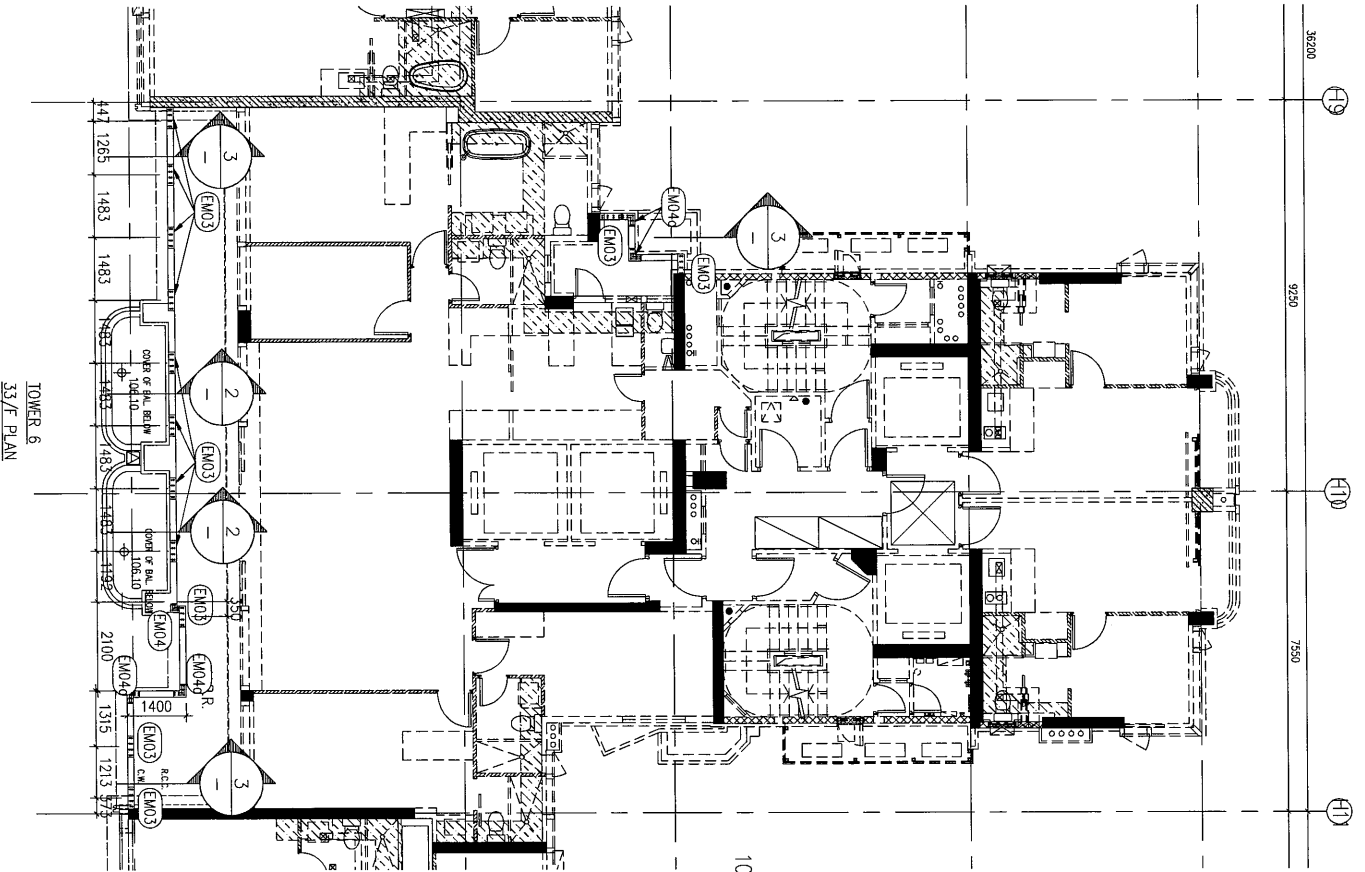


名稱	鐵件加工圖	制圖	WYY	2022-05-16	修改		
材料	詳見加工圖	復核			日期		
顏色	熱浸鍍鋅	批准			圖號	J857-LH-EM04c	



美特鋁質 有限公司
MIDI Aluminium Fabricator Ltd.

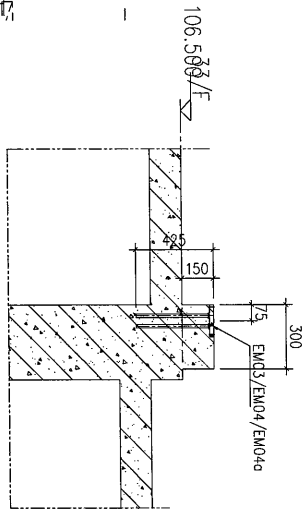
工程號 J857 地盤 啓德6552



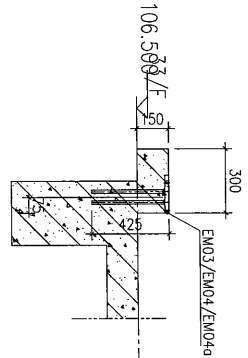
TOWER 6
33/F PLAN

- EM03 X 13nos
- EM04 X 1nos
- EM04o X 4nos

2 VERTICAL SECTION 2
FOR GLASS BALUSTRADE



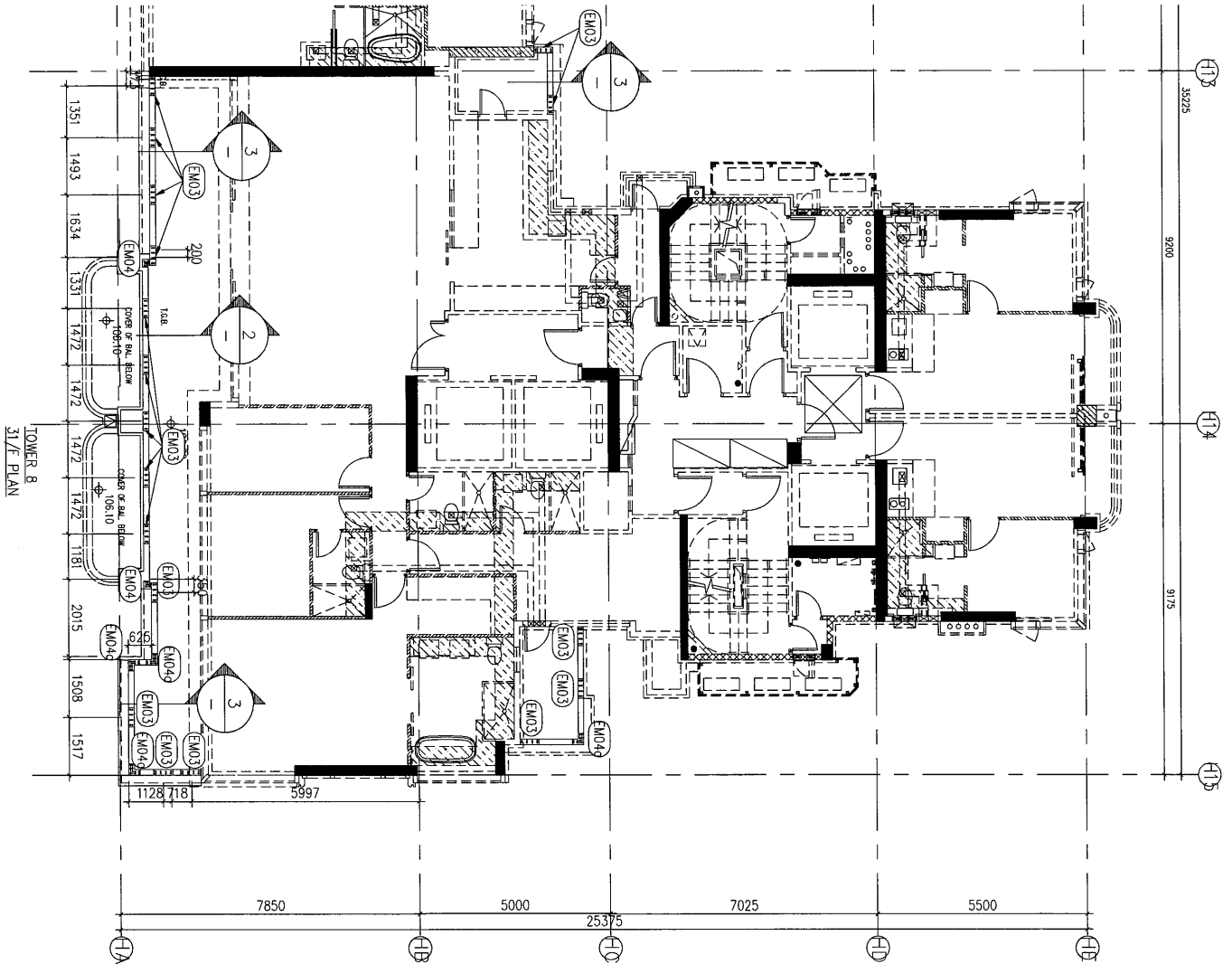
3 VERTICAL SECTION 3
FOR GLASS BALUSTRADE



名稱	預埋鐵件位置圖	制圖	WYY	2022-05-16	修改			
材料		復核			日期			
顏色		批准			圖號	J857-LH-MWZ3		



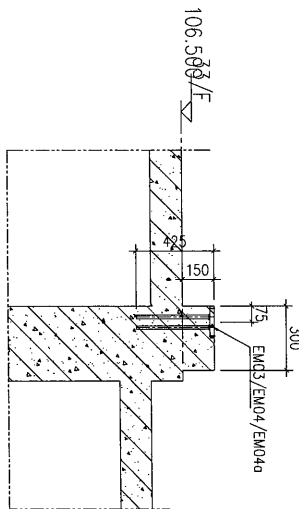
工程號 | J857 | 地盤 | 啓德6552



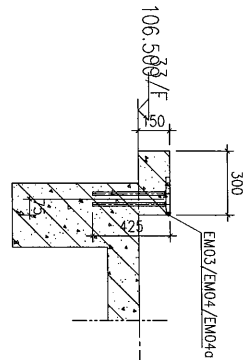
TOWER 8
31/F PLAN

- EM03 X 18nos
- EM04 X 2nos
- EM04d X 4nos

2 VERTICAL SECTION 2
FOR GLASS BALUSTRADE



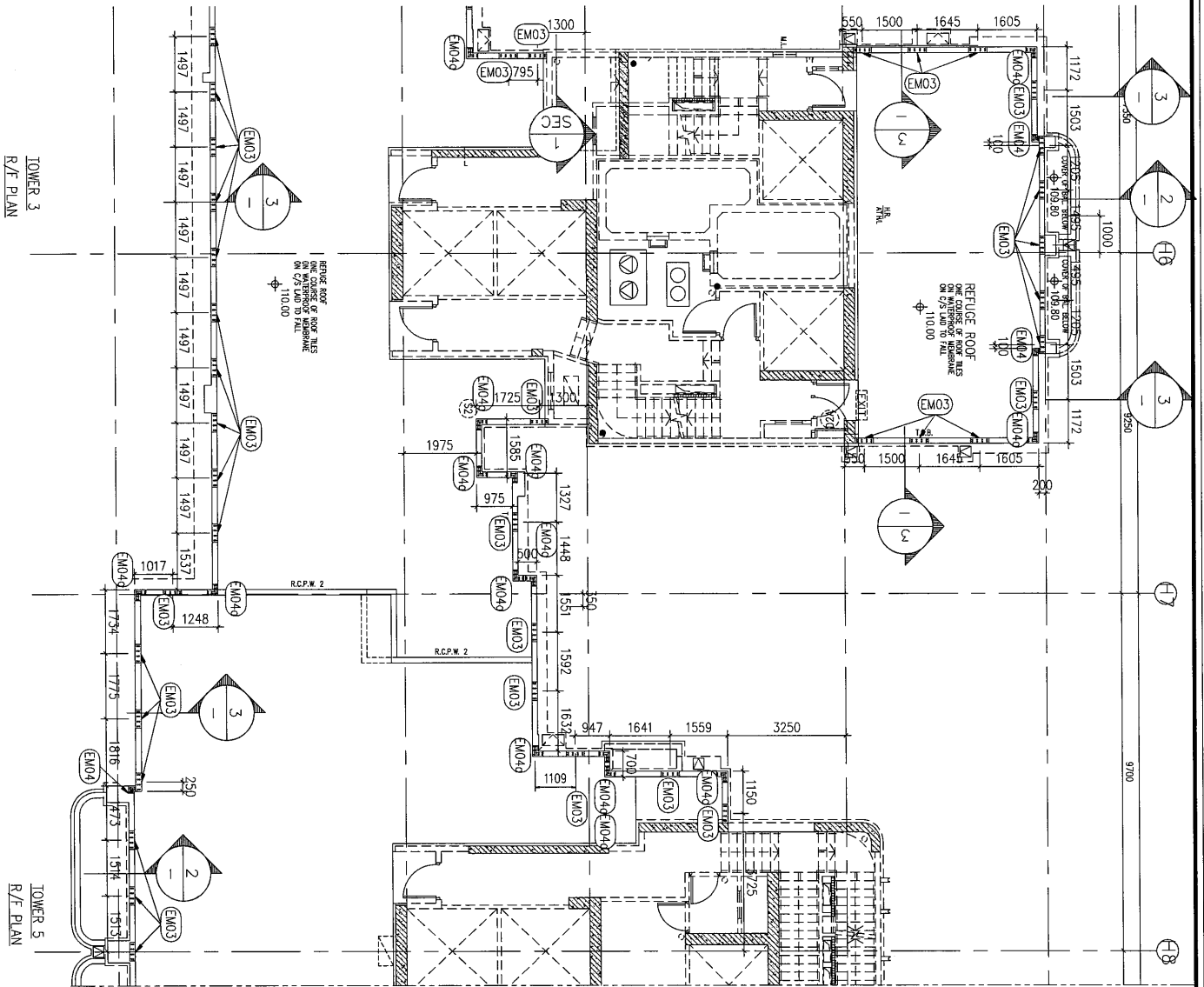
3 VERTICAL SECTION 3
FOR GLASS BALUSTRADE



名稱	預埋鐵件位置圖	制圖	WYY	2022-05-16	修改	
材料		復核			日期	
顏色		批准			圖號	J857-LH-MWZ4



工程號 J857 地盤 啓德6552

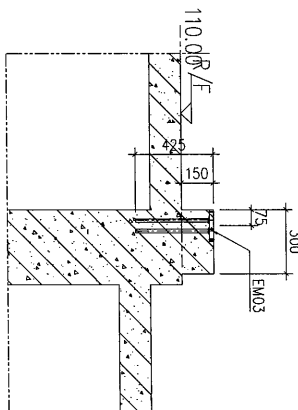


TOWER 3
R/F PLAN

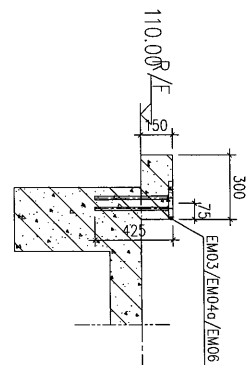
TOWER 5
R/F PLAN

- EMO3 X 11nos
- EMO4 X 1nos
- EMO4d X 6nos

2 VERTICAL SECTION 2
FOR GLASS BALUSTRADE



3 VERTICAL SECTION 3
FOR GLASS BALUSTRADE



名稱	預埋鐵件位置圖	制圖	WYY	2022-05-16	修改	
材料		復核			日期	
顏色		批准			圖號	J857-LH-MWZ8-1



美特鋁質 有限公司
MIDI Aluminium Fabricator Ltd.

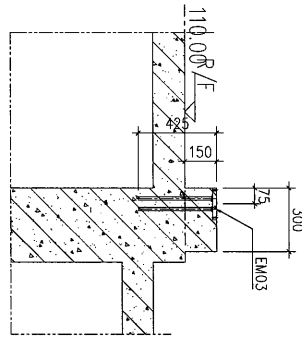
工程號

J857

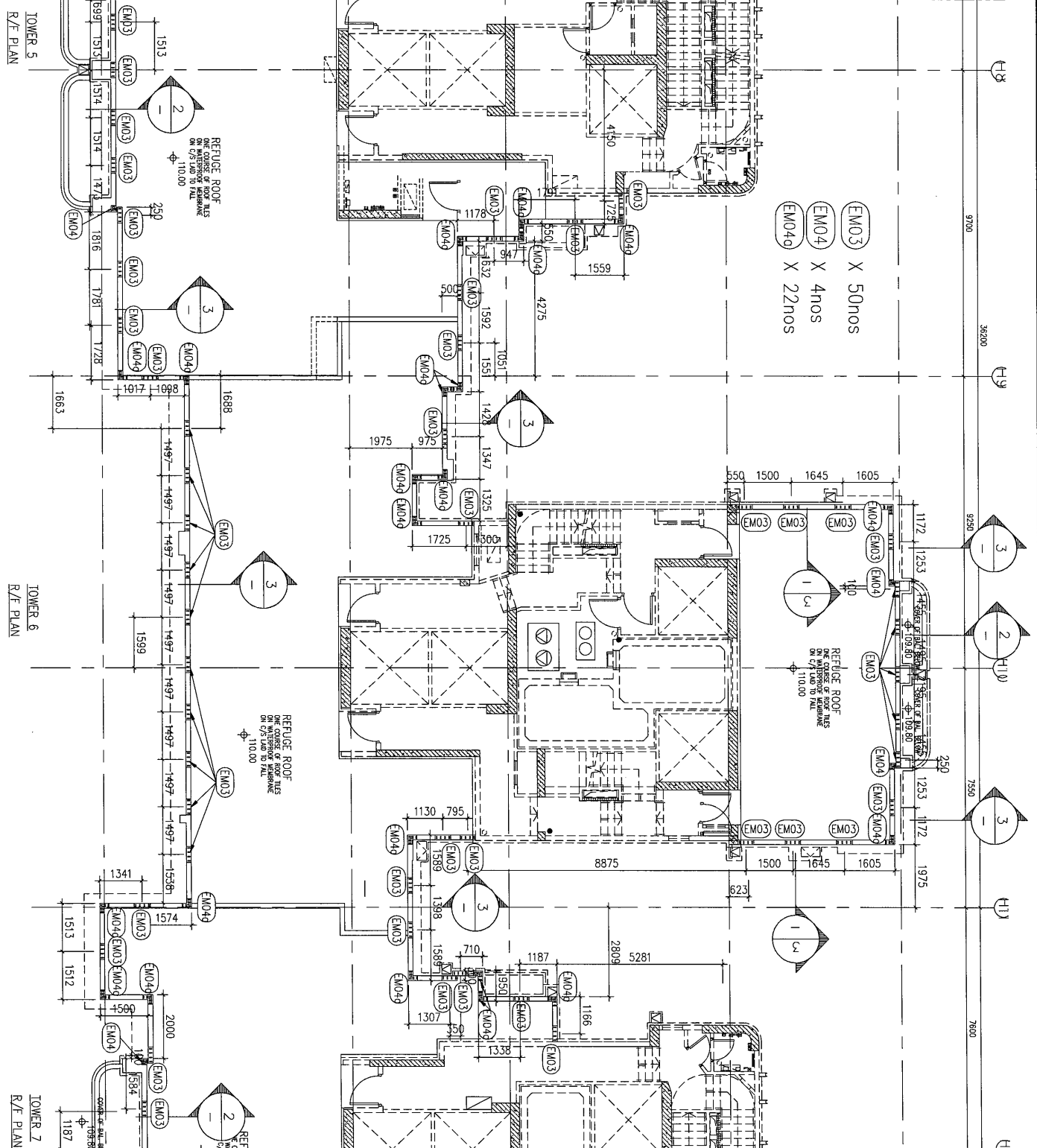
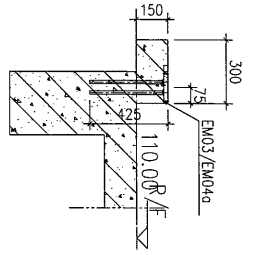
地盤

啓德6552

2 VERTICAL SECTION 2 FOR GLASS BALUSTRADE



3 VERTICAL SECTION 3 FOR GLASS BALUSTRADE



名稱 預埋鐵件位置圖

制圖 WYY

2022-05-16

修改

材料

復核

日期

顏色

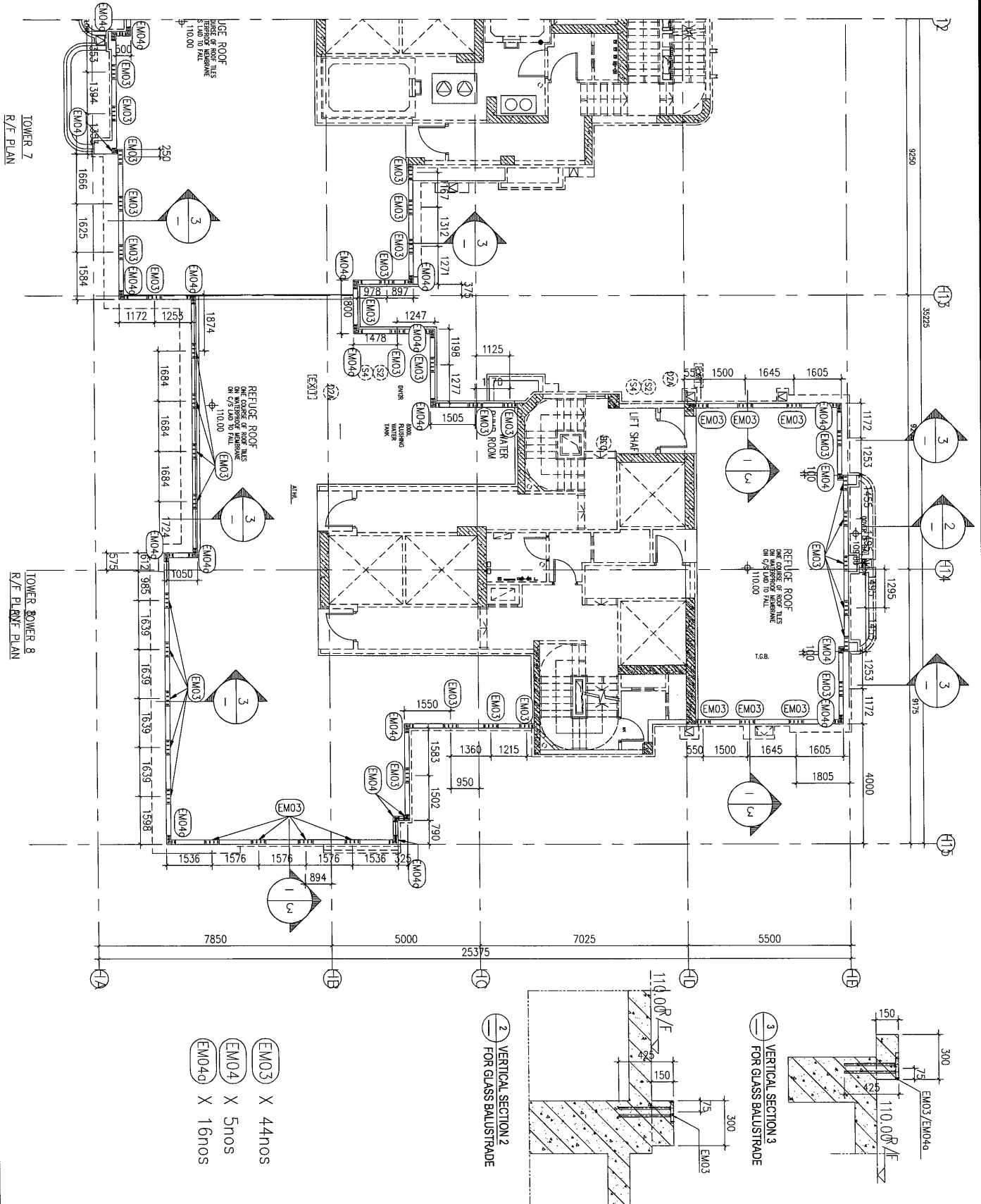
批准

圖號

J857-LH-MWZ9



工程號 J857 地盤 啓德6552



名稱	預埋鐵件位置圖	制圖	WYY	2022-05-16	修改	
材料		復核			日期	
顏色		批准			圖號	J857-LH-MWZ10