



工程指示 / 要求簡箋 ENGINEER INSTRUCTIONS(E.I.)

工程指示編號:	EI- 4707	修改版本:	A
	HK- /		
工程編號:	J 857	工程名稱:	啟德6552
收件人:	Maggie Lor	發件人:	Nero HO
工程項目:	屋頂欄河 - 地盤用預留碼(T1-T3座)	日期:	20/09/2022

<input type="checkbox"/> 原合約工程包	<input type="checkbox"/> 原合約工程加 / 減脹 QT-	<input type="checkbox"/> 新工程報價 QT-
---------------------------------	--	------------------------------------

信件批核號碼/圖紙參考編號:	批核模具圖紙編號:
客戶指示附件:	管理內部批簽署:

<input type="checkbox"/> 初步鋁料 B.M.	<input type="checkbox"/> 加工拆圖, 然後生產	<input type="checkbox"/> 尺寸表
<input type="checkbox"/> 正式鋁料 B.M.	<input type="checkbox"/> 技術上資料/指示	<input type="checkbox"/> 報價
<input type="checkbox"/> 配件 B.M.	<input type="checkbox"/> 樣辦或貨品說明書	<input type="checkbox"/> 分判合約
<input type="checkbox"/> 其他:		

內容:	由於已獲取BD批圖, 因此可以放行生產加工。  請按附件資料生產加工, 送地盤。  廠驗焊: Fillet Weld: 100%目測, 10%磁粉。 驗焊報告: 1) 項目名稱: Kai Tak Area 4C Site 2, Kai Tak, Kowloon - N.K.I.L.6552. 2) 位置: Superstructure – Glass and Metal Balustrade, AC Grille and Ceiling
完成上列要求日期:	11月尾

國內

<input type="checkbox"/> 生產技術總監	<input type="checkbox"/> 連附件	<input type="checkbox"/> 技術部	<input type="checkbox"/> 連附件	<input type="checkbox"/> 生產部	<input type="checkbox"/> 連附件
<input type="checkbox"/> 採購部	<input type="checkbox"/> 連附件	<input type="checkbox"/> 生產統籌部	<input type="checkbox"/> 連附件	<input type="checkbox"/> 報關組	<input type="checkbox"/> 連附件
<input type="checkbox"/> 質檢部	<input type="checkbox"/> 連附件	<input type="checkbox"/> 會計部	<input type="checkbox"/> 連附件	<input type="checkbox"/> 機械設計部	<input type="checkbox"/> 連附件
<input type="checkbox"/> 香港辦	<input type="checkbox"/> 連附件	<input type="checkbox"/> 其他:			

<input type="checkbox"/> 行政部	<input type="checkbox"/> 連附件	<input type="checkbox"/> 會計部	<input type="checkbox"/> 連附件	<input type="checkbox"/> 統籌部	<input type="checkbox"/> 連附件	<input type="checkbox"/> 工程部	<input type="checkbox"/> 連附件
<input checked="" type="checkbox"/> 採購部	<input checked="" type="checkbox"/> 連附件	<input type="checkbox"/> QS部	<input type="checkbox"/> 連附件	<input checked="" type="checkbox"/> 地盤管理	<input checked="" type="checkbox"/> 連附件	<input type="checkbox"/> 維修部	<input type="checkbox"/> 連附件

*發件人簽署:	<i>ML</i>	*組別成員批核簽署:	
傳遞編號:	/	項目經理簽署:	<i>PH</i>



YOUR REF 來函檔號: **BD 3/4056/19 Pt.IV**  
OUR REF 本署檔號: **2845 1660**  
FAX 圖文傳真: **3106 3173**  
TEL 電話: **3106 3173**  
WEBSITE 網址: [www.bld.gov.hk](http://www.bld.gov.hk)

22 June 2022

**CHAN Bong Kwok**  
**11/F, Universal Trade Centre,**  
**3-5A Arbuthnot Road,**  
**Central, Hong Kong**

97109

Dear Sir,

**Kai Tak Area 4C Site 2, Kai Tak, Kowloon -  
N.K.I.L. 6552**

I refer to your application dated received on 26 May 2022 for approval of proposals in respect of Superstructure - Glass and Metal Balustrade, AC Grille and Ceiling (Amendment) and the application for consent to the commencement and carrying out of the above building works.

2. Your submission of plans has been checked under the curtailed check system announced in Practice Note for Authorized Persons, Registered Structural Engineers and Registered Geotechnical Engineers ADM-19. On this basis, I am satisfied that your submission is fundamentally acceptable and may be approved.

3. You are reminded that the curtailed check system covers only the fundamental issues of a building proposal. Although non-fundamental issues will not be raised as reasons for disapproving a submission, I expect that all contraventions of the Buildings Ordinance and its subsidiary legislation are rectified as and when they are discovered and in any event, before completion of the works is certified. In this connection, I ask you to note that the Building Authority attaches great importance to the proper assumption of duties and responsibilities by authorized persons and registered structural engineers.

4. In accordance with the provisions of regulation 30(1) of the Building (Administration) Regulations, this is to notify that the above - mentioned plans submitted with your application dated received on 26 May 2022 are hereby approved. One set of the said plans, on which I have signified my approval, is enclosed. Your client has been sent a copy of this letter but I would request that you ensure that the contents are understood by him.

5. This approval should not be deemed to confer any title to land or to act as a waiver of any term in any lease or licence. Section 14(2) of the Buildings Ordinance refers.

6. Consent to the commencement and carrying out of the above Superstructure - Glass and Metal Balustrade, AC Grille and Ceiling (Amendment) is given in the Form BD103 enclosed. You are reminded to ensure that the plans now approved are compatible with all previously approved plans, any conditions imposed are fulfilled and no works are carried out before all required plans have been approved and consent given. Your attention is drawn to paragraph 10 of Practice Note for Authorized Persons, Registered Structural Engineers and Registered Geotechnical Engineers APP-97.

17.....

S.L.9A (11/2009)

BD REF: BD 3/4056/19  
 U.S.A. REF:

### BD AMENDMENT

The works shown on these plans are Type II works:  
 Superstructure - Glass and Metal Balustrade,  
 A/C Chiller and Ceiling.  
 Planning permission was granted for the proposed works by the Planning Department under application number 133 of the Building (Amendment) Regulations.

DESIGNER: MARBLE EDGE INVESTMENT LTD.  
 ARCHITECT: RONALD LU & PARTNERS  
 STRUCTURAL ENGINEER: CIMA

**Proposed Residential Development at New Kowloon Inland Lot, No. 6592**

**TOWER GLASS BALUSTRADE PARTIAL ELEVATION & PLAN & SECTION**

DATE: 18.03.2022  
 SCALE: AS SHOWN  
 DRAWN BY: ZCH  
 CHECK BY: HZG  
 JOB NO.: 12155  
 DWG NO.: BD-GN-004  
 REV: A

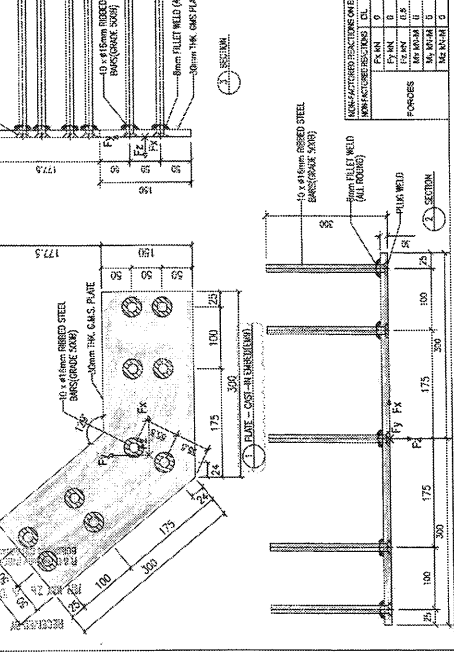
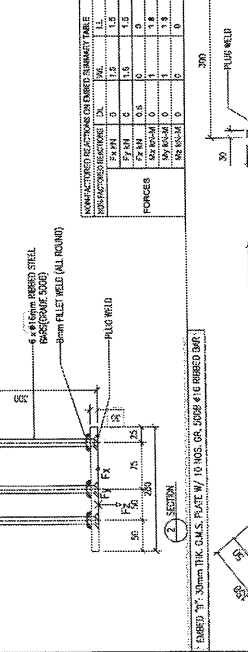
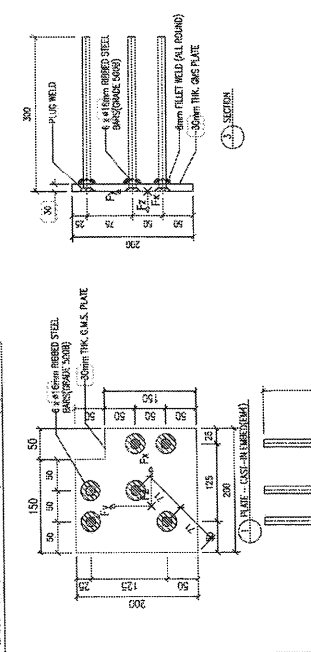
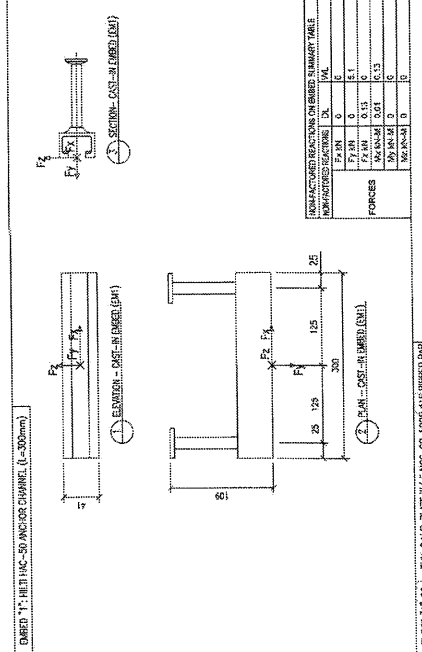
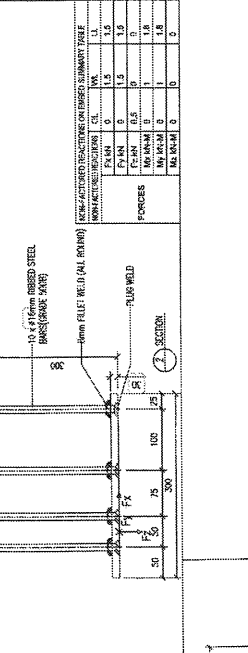
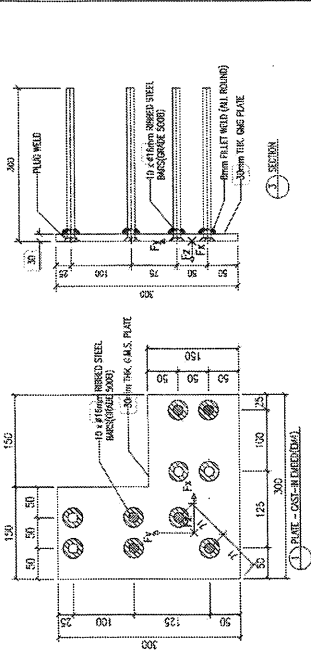
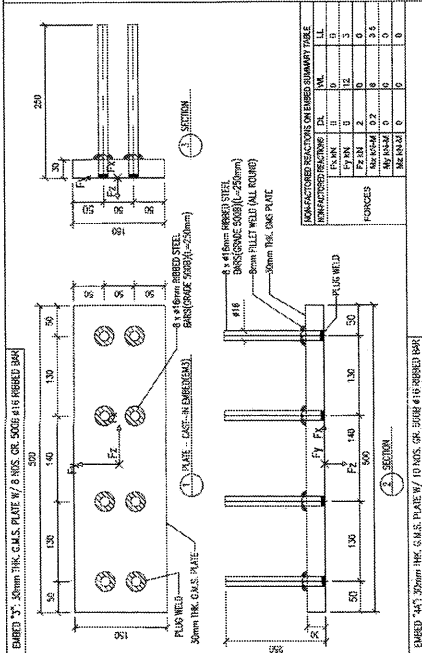
**Project Information:**  
 PROJECT: PROPOSED RESIDENTIAL DEVELOPMENT AT NEW KOWLOON INLAND LOT, NO. 6592  
 TITLE: TOWER GLASS BALUSTRADE PARTIAL ELEVATION & PLAN & SECTION


**Client:** MARBLE EDGE INVESTMENT LTD.  
**Architect:** RONALD LU & PARTNERS  
**Structural Engineer:** CIMA

**Main Contractor:** Inhabit Group (裕民建築有限公司)

Notes:  
 1. All dimensions are in millimeters unless otherwise specified.  
 2. The contractor shall ensure that the works are carried out in accordance with the approved plans and specifications.  
 3. The contractor shall be responsible for obtaining all necessary permits and approvals from the relevant authorities.

Site Approval  
 Site Supervisor  
 Site Engineer  
 Site Inspector



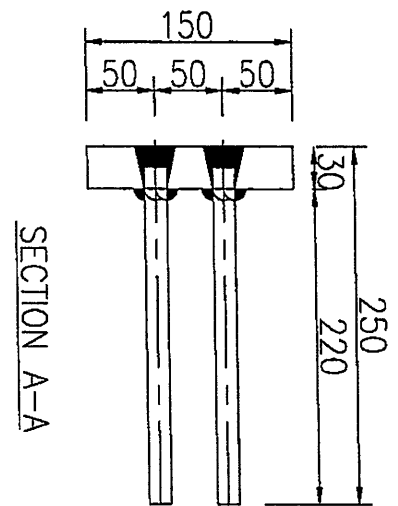
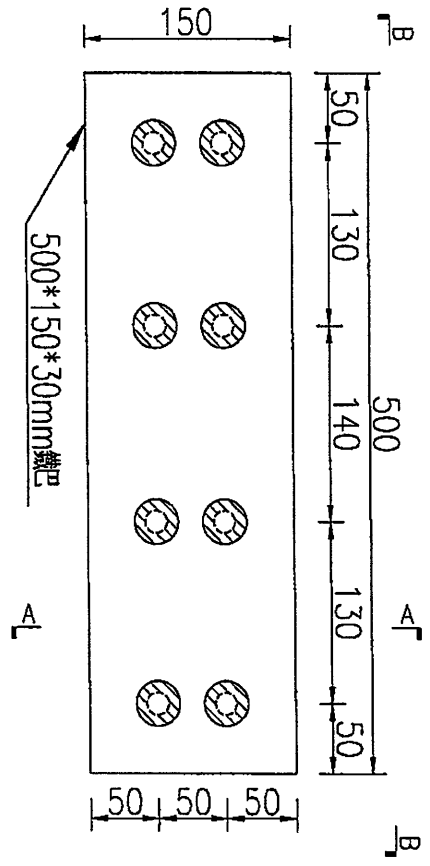
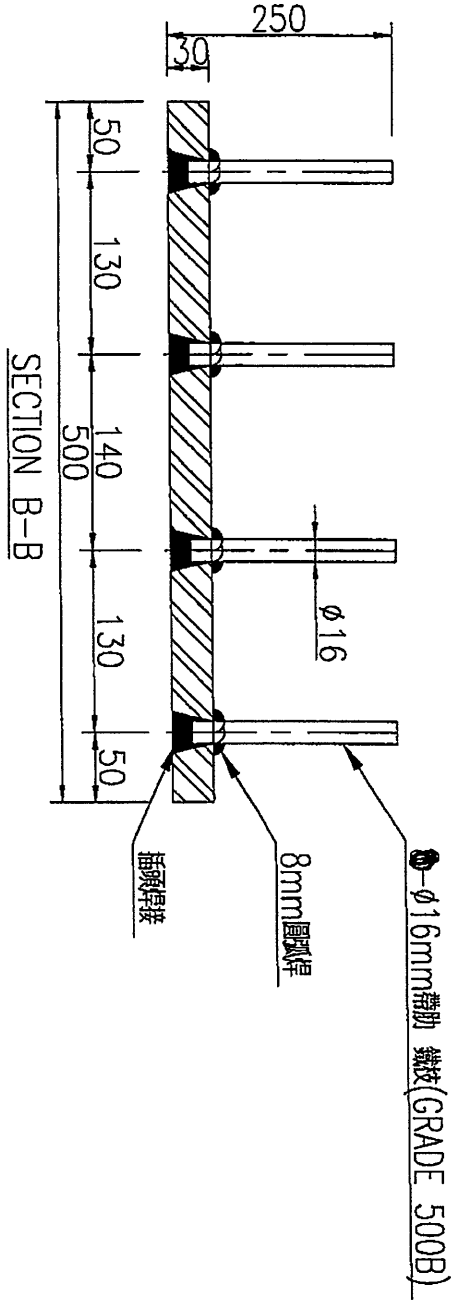
 <b>美特鋁質</b> 有限公司 MIDI Aluminium Fabricator Ltd.		工程號:	J-857	計算:	WYY	日期:	16/05/2022	送呈: 施哥		
地盤名稱:		啟德6552		核對:		日期:		副本:		
項目類別:		擱河預埋鐵件		批准:		日期:				
修改版次:				A/C Code:		鐵件總重量KG:	3928.63	此BM依據最新施工圖資料計算		
BM編號:										
序號	修改內容	鐵件圖號	圖紙名稱	顏色	實用	後備	總數	單位	單件重量 (kg)	備注
1		J857-LH-EM03	鐵件加工圖	熱浸鍍鋅	125	0	125	件	20.819	2602.396 T1-T3
2		J857-LH-EM04	鐵件加工圖	熱浸鍍鋅	13	0	13	件	12.261	159.392 T1-T3
3		J857-LH-EM04a	鐵件加工圖	熱浸鍍鋅	44	0	44	件	25.930	1140.916 T1-T3
4		J857-LH-EM06	鐵件加工圖	熱浸鍍鋅	1	0	1	件	25.930	25.930 T1-T3
5					合計:		183	件	3928.635	KG
<b>加工說明</b> 1. 所有需燒焊之鐵件均需驗磁粉10%, 目測100%, 除特別注明外, 詳見附件8.56-1 2. 所有鐵件均需熱浸鍍鋅, 材質為Grade S275(BS EN10025 & EN10210) 及花鐵枝 Grade 500B (須提供測試報告根據 CS2 2012, Mill Cert. Tensile, Rebend, Chemical and Bond Property) 3. 加工成品分三批交地盤, 到貨前需提前三至五天聯絡地盤負責人以便安排申請入關紙及告知來貨詳情										




**美特鋁質** 有限公司  
 MIDI Aluminium Fabricator Ltd.

工程號	J857	地盤	啓德6552
-----	------	----	--------

產品編號	L(MM)	數量	A	N	M	B	N1	M1	備註
		125							



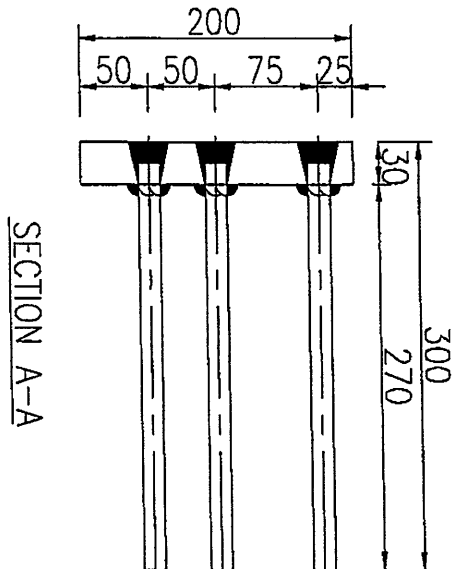
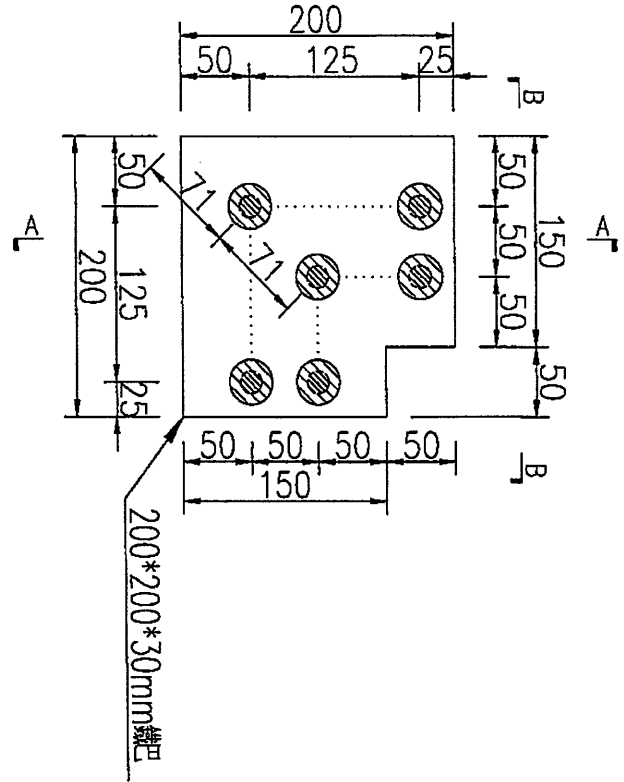
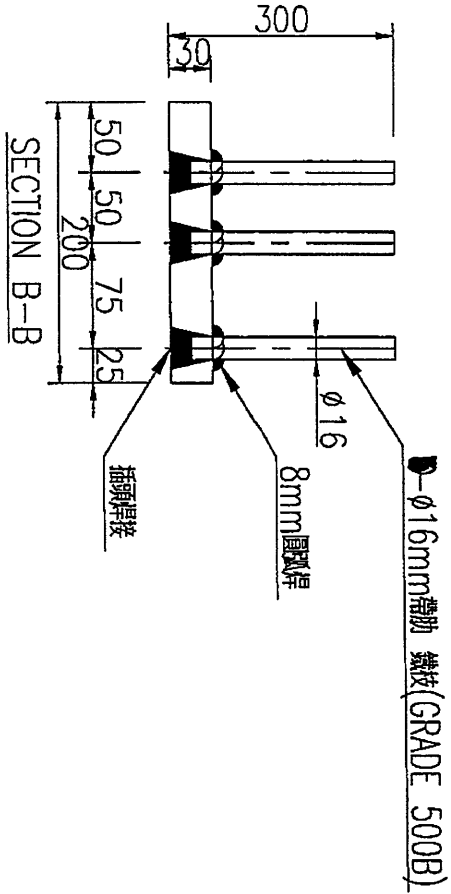
名稱	鐵件加工圖	制圖	WYY	2022-05-16	修改		
材料	詳見加工圖	復核			日期		
顏色	熱浸鍍鋅	批准			圖號	J857-LH-EM03	



美特鋁質 有限公司  
MIDI Aluminium Fabricator Ltd.

產品編號	L(MM)	數量	A	N	M	B	N1	M1	備註
		13							

工程號	J857	地盤	格德6552
-----	------	----	--------



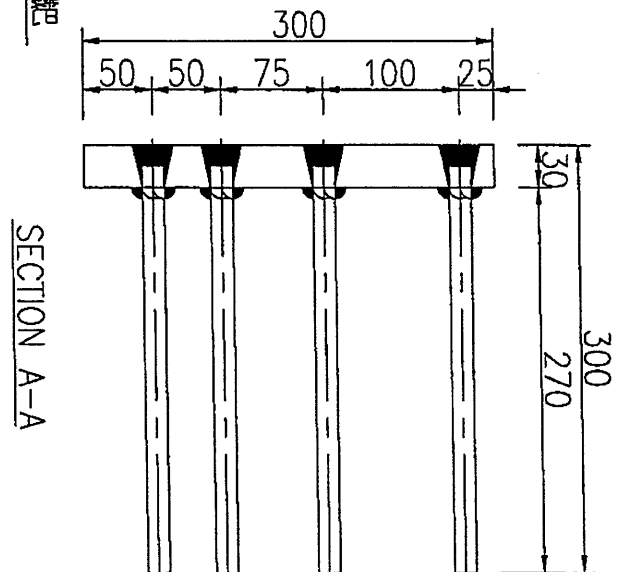
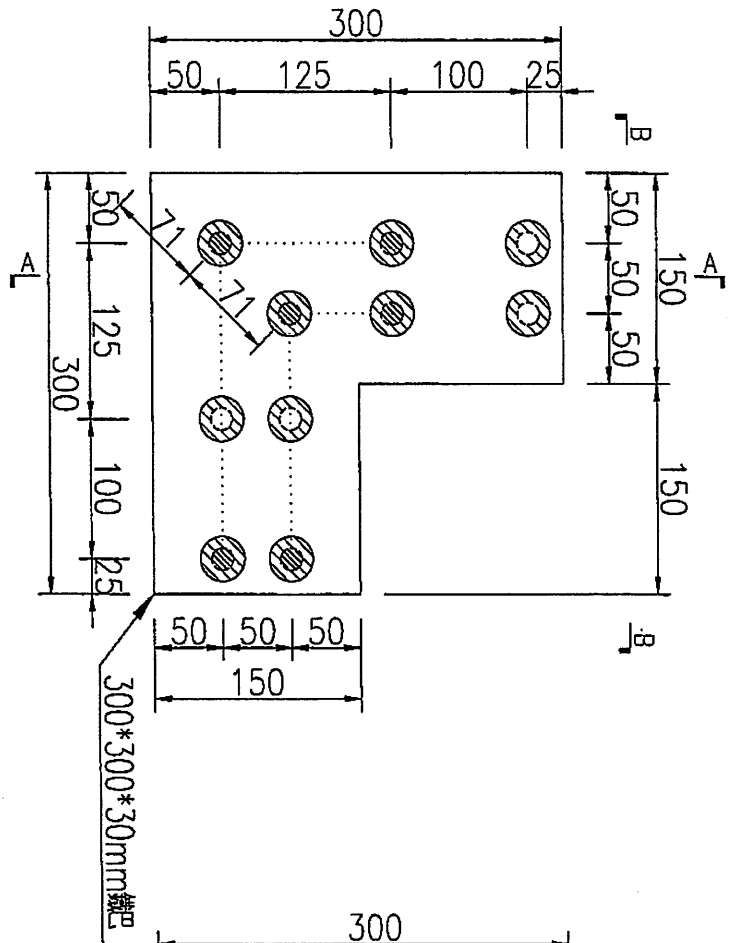
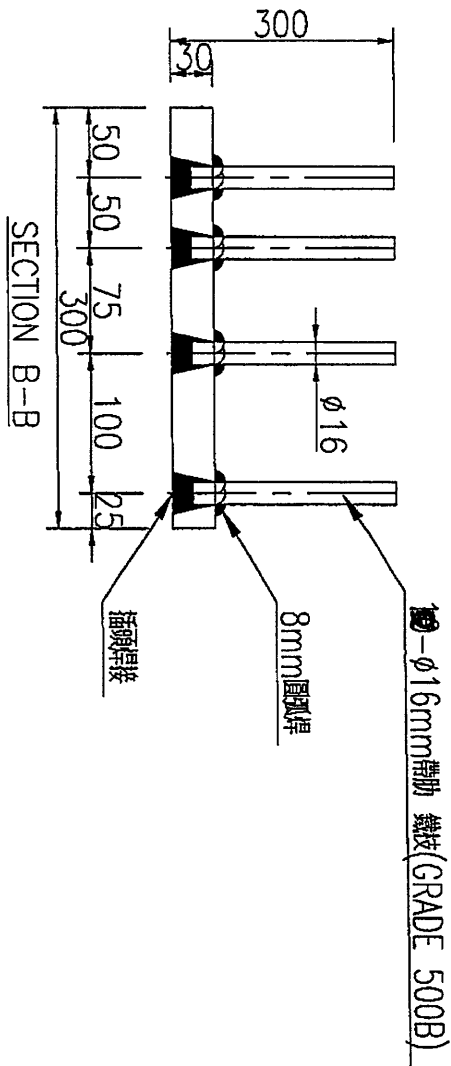
名稱	鐵件加工圖	制圖	WYY	2022-05-16	修改			
材料	詳見加工圖	復核			日期			
顏色	熱浸鍍鋅	批准			圖號	J857-LH-EM04		



美特鋁質 有限公司  
MIDI Aluminium Fabricator Ltd.

產品編號	L(MM)	數量	A	N	M	B	N1	M1	備註
		44							

工程號 J857 地盤 啓德6552

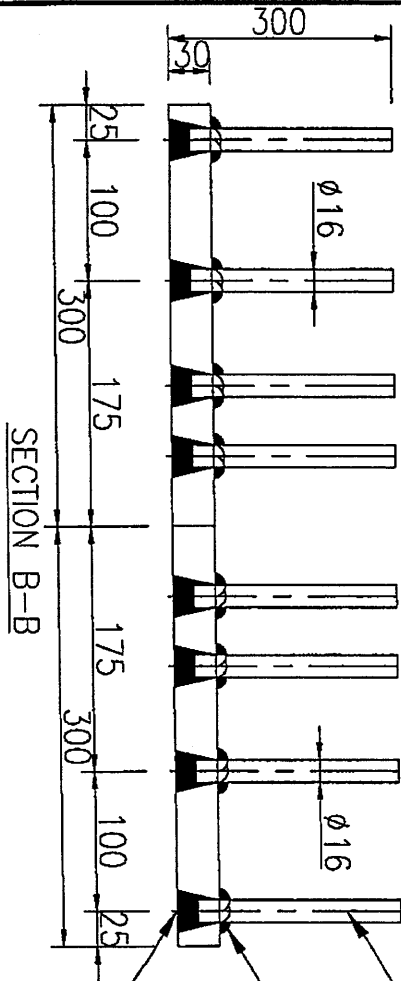


名稱	鐵件加工圖	制圖	WYY	2022-05-16	修改			
材料	詳見加工圖	復核			日期			
顏色	熱浸鍍鋅	批准			圖號	J857-LH-EM04c		

**美特鋁質** 有限公司  
MIDI Aluminium Fabricator Ltd.

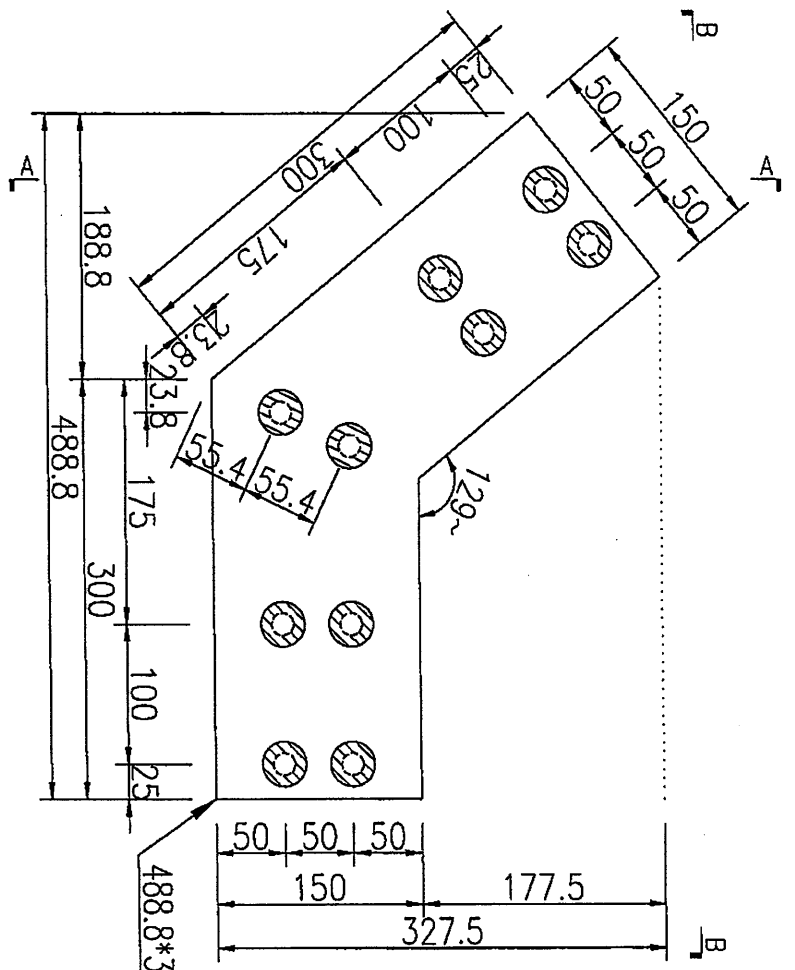
產品編號	L(MM)	數量	A	N	M	B	N1	M1	備註
		1							

工程號 J857 地盤 啓德6552

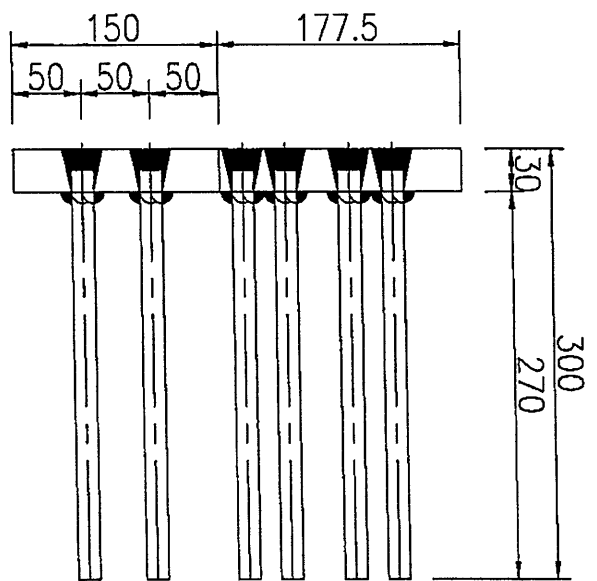


SECTION B-B

插頭焊接  
8mm圓弧焊  
 $\phi 16$ mm帶肋 鐵枝 (GRADE 500B)



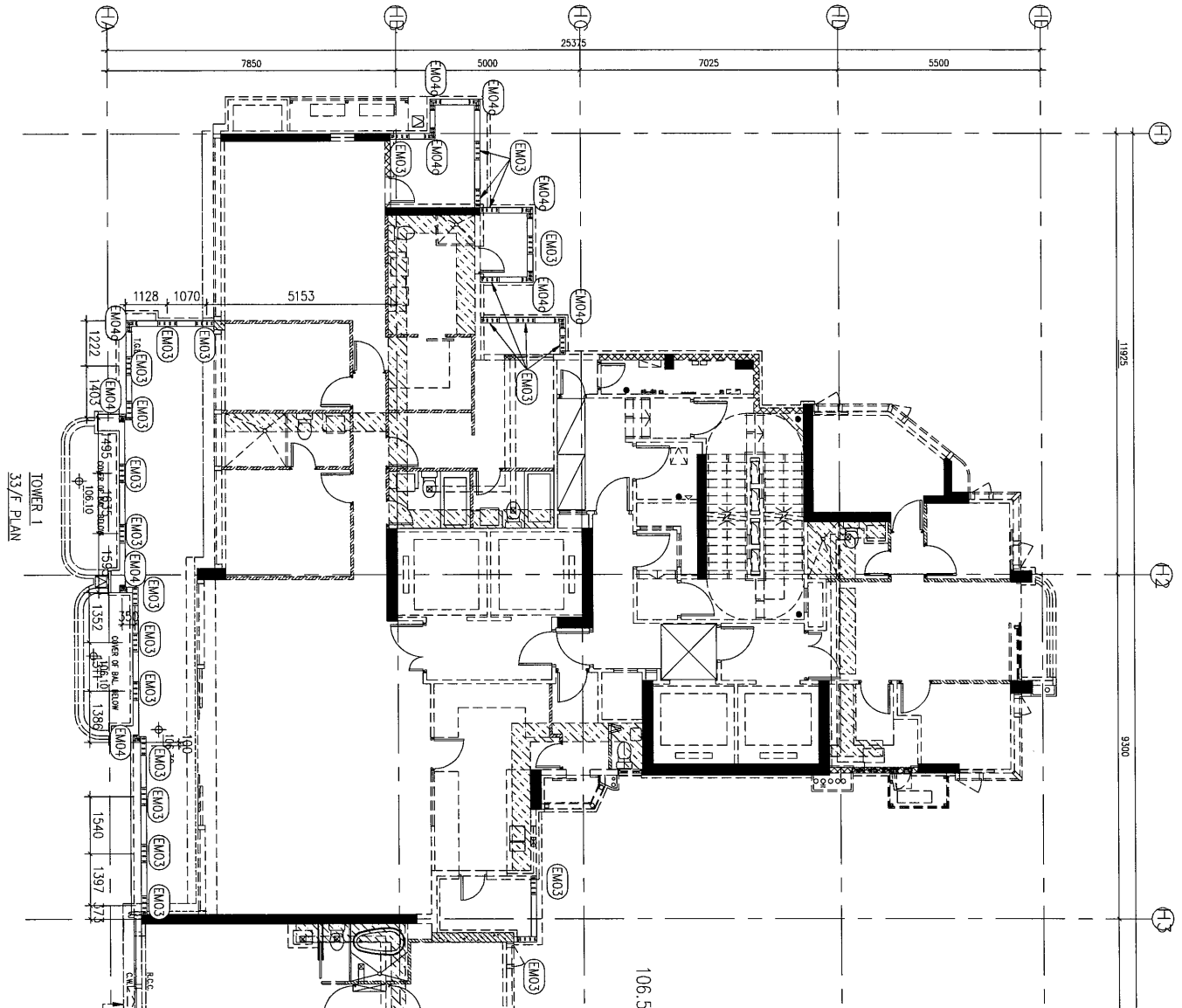
SECTION A-A



名稱	鐵件加工圖	制圖	WYY	2022-05-16	修改			
材料	詳見加工圖	復核			日期			
顏色	熱浸鍍鋅	批准			圖號	J857-LH-EM06		



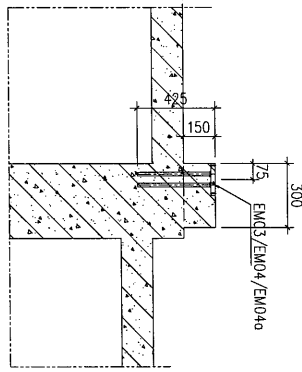
工程號	J857	地盤	啓德6552
-----	------	----	--------



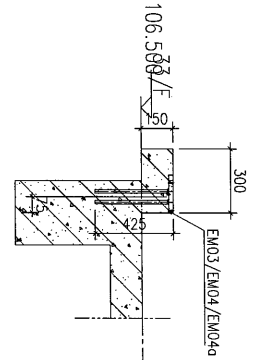
TOWER 1  
33/F PLAN

- EM03 X 24nos
- EM04 X 3nos
- EM04c X 7nos

2 VERTICAL SECTION 2  
FOR GLASS BALUSTRADE



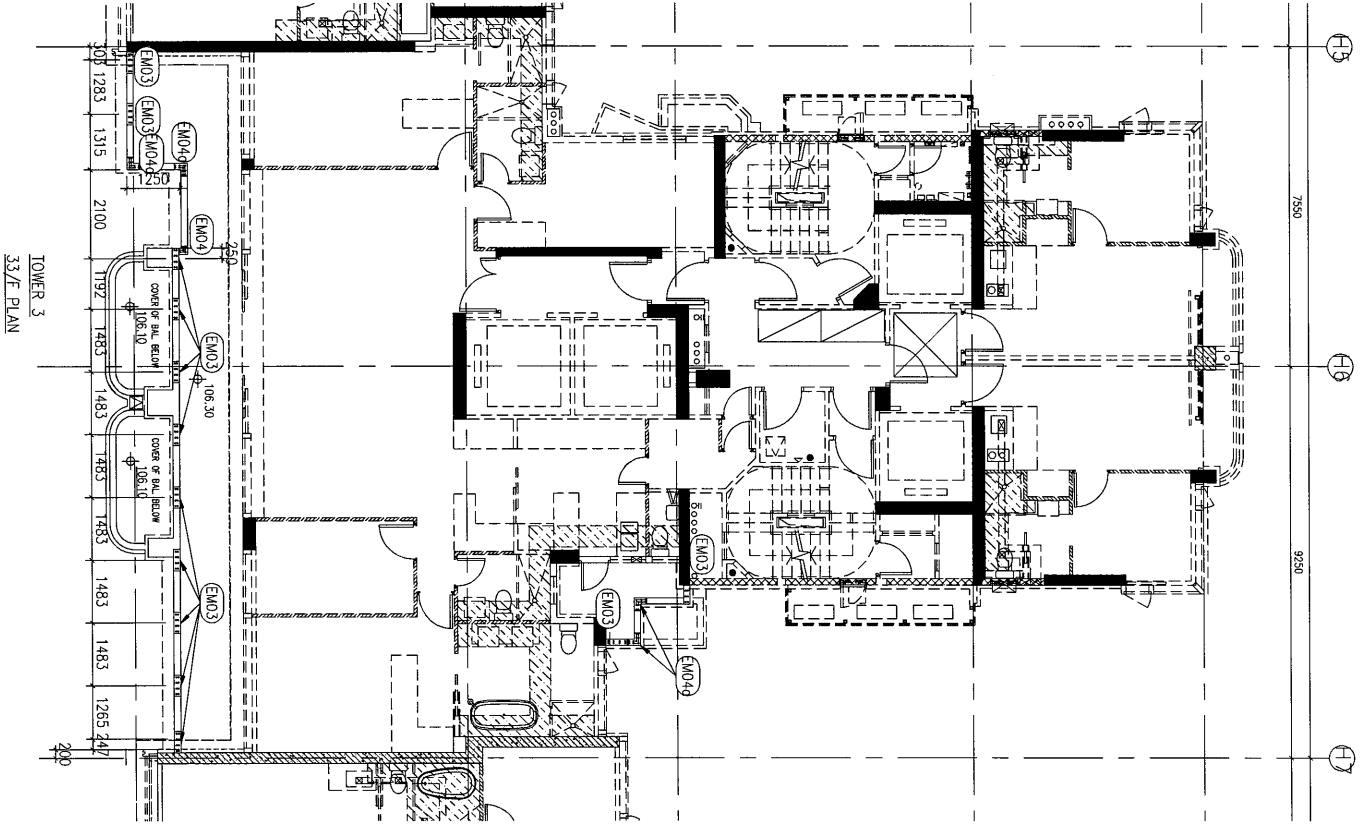
3 VERTICAL SECTION 3  
FOR GLASS BALUSTRADE



名稱	預埋鐵件位置圖	制圖	WYY	2022-05-16	修改		
材料		復核			日期		
顏色		批准			圖號	J857-LH-MWZ1	

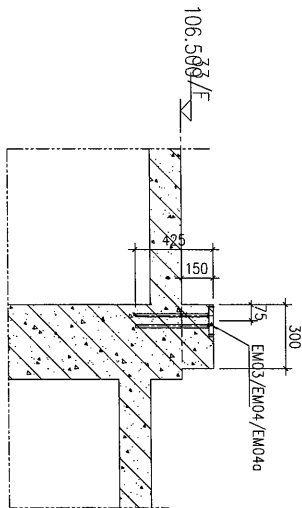


工程號	J857	地盤	啓德6552
-----	------	----	--------

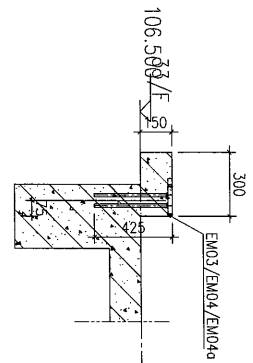


- EM03 X 13nos
- EM04 X 1nos
- EM04d X 4nos

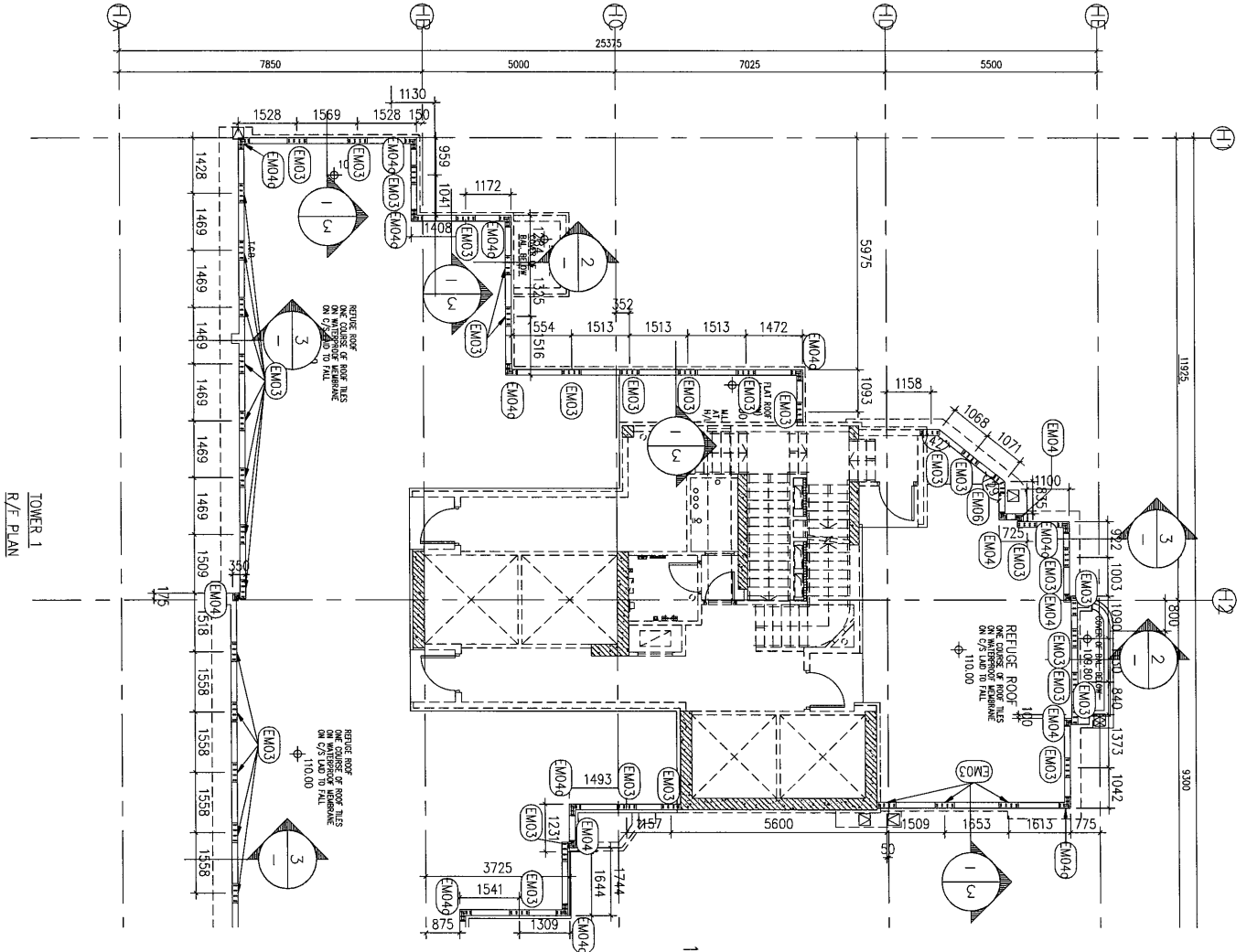
2 VERTICAL SECTION 2 FOR GLASS BALUSTRADE



3 VERTICAL SECTION 3 FOR GLASS BALUSTRADE



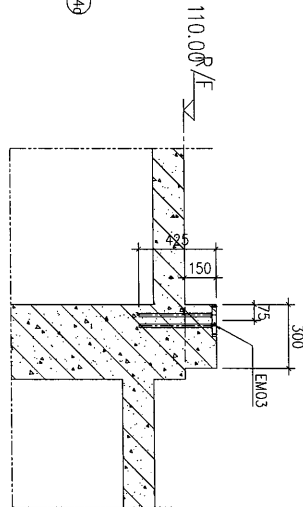
名稱	預埋鐵件位置圖	制圖	WYY	2022-05-16	修改		
材料		復核			日期		
顏色		批准			圖號	J857-LH-MWZ2	



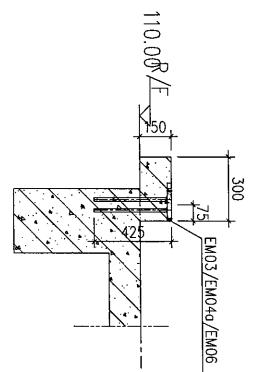
TOWER 1  
R/F PLAN

- EM03 X 40nos
- EM04 X 5nos
- EM04c X 11nos
- EM06 X 1nos

2 VERTICAL SECTION 2  
FOR GLASS BALUSTRADE



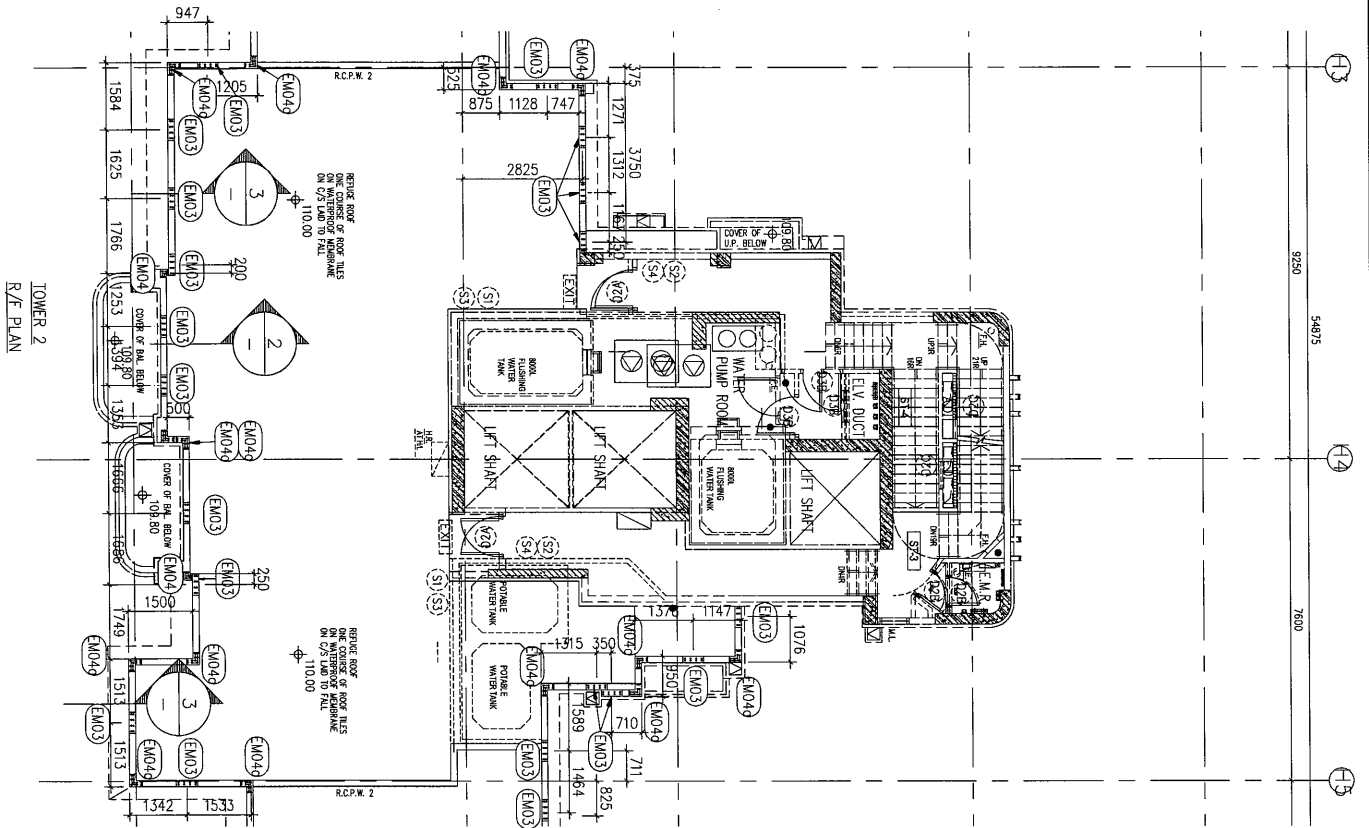
3 VERTICAL SECTION 3  
FOR GLASS BALUSTRADE



名稱	預埋鐵件位置圖	制圖	WYY	2022-05-16	修改		
材料		復核			日期		
顏色		批准			圖號	J857-LH-MWZ6	



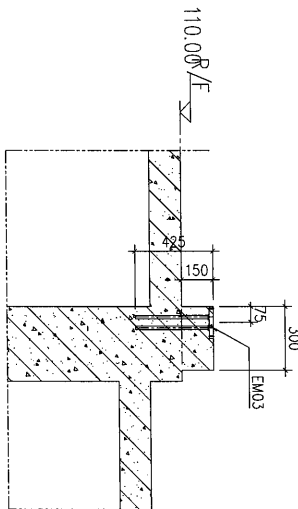
工程號	J857	地盤	啓德6552
-----	------	----	--------



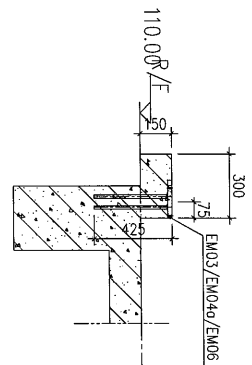
TOWER 2  
R/E PLAN

- EMO3 X 20nos
- EMO4 X 2nos
- EMO4o X 14nos

2 VERTICAL SECTION 2  
FOR GLASS BALUSTRADE



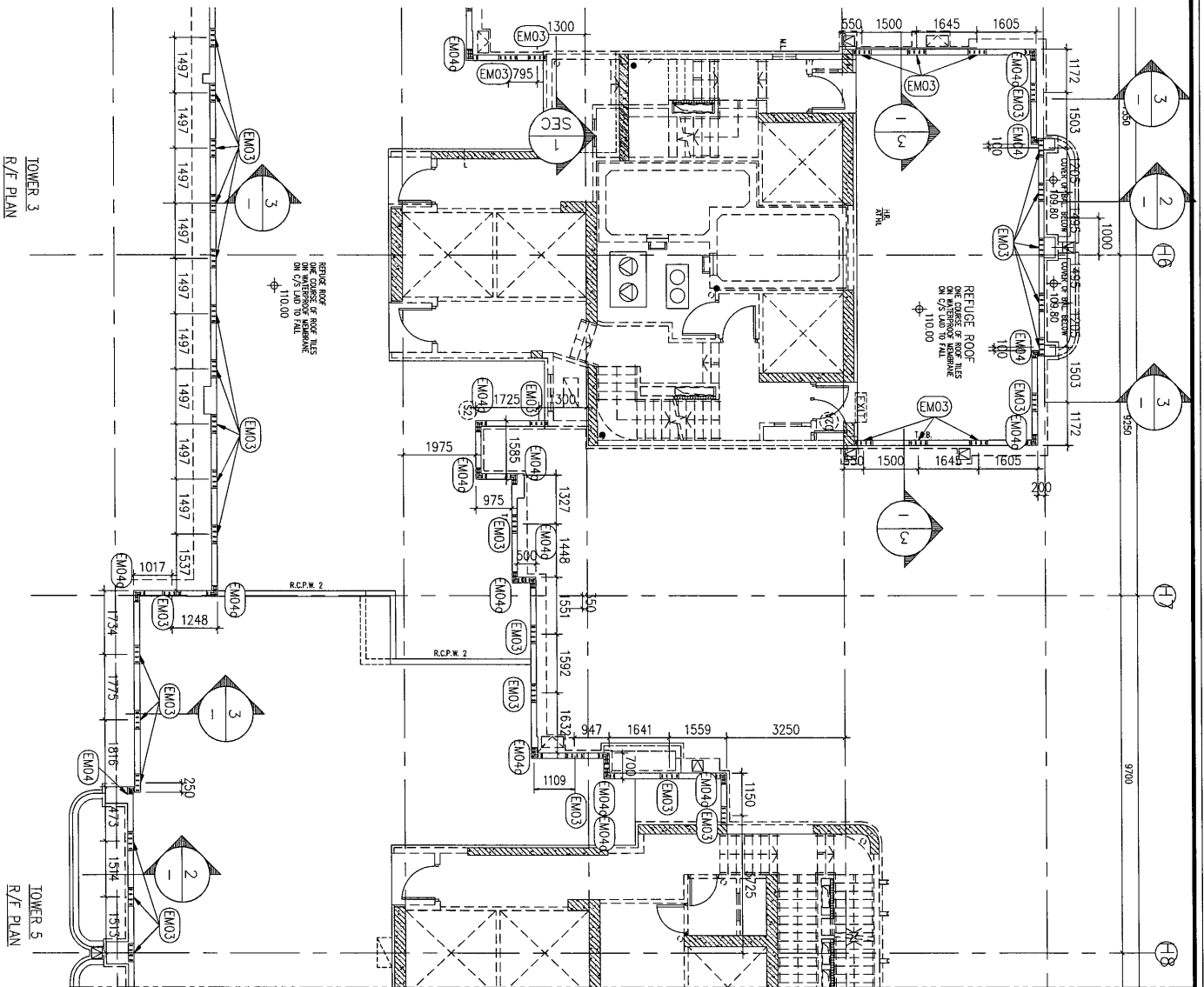
3 VERTICAL SECTION 3  
FOR GLASS BALUSTRADE



名稱	預埋鐵件位置圖	制圖	WYY	2022-05-16	修改	
材料		復核			日期	
顏色		批准			圖號	J857-LH-MWZ7



工程號 J857 地盤 啓德6552

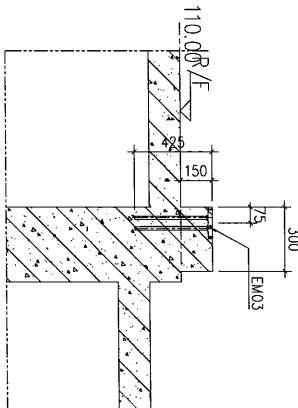


TOWER 3  
R/F PLAN

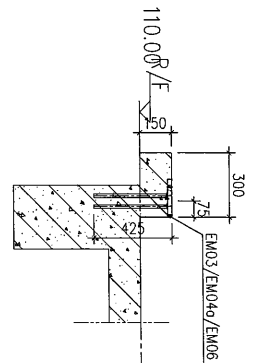
TOWER 5  
R/F PLAN

- EM03 X 28nos
- EM04 X 2nos
- EM04d X 8nos

2 VERTICAL SECTION 2  
FOR GLASS BALUSTRADE



3 VERTICAL SECTION 3  
FOR GLASS BALUSTRADE



名稱	預埋鐵件位置圖	制圖	WYY	2022-05-16	修改	
材料		復核			日期	
顏色		批准			圖號	J857-LH-MWZ8