



工程指示 / 要求簡箋 ENGINEER INSTRUCTIONS(E.I.)

工程指示編號:	EI- 46 n / n	修改版本:	-
	HK- 0661 / n		
工程編號:	J 857	工程名稱:	NKIL6552
收件人:	Maggie Lor	發件人:	Nero HO
工程項目:	後裝FD門和鋁窗 - 地盤用玻璃(樣辦層)	日期:	20/04/2022

<input type="checkbox"/> 原合約工程包	<input type="checkbox"/> 原合約工程加 / 減賬 QT-	<input type="checkbox"/> 新工程報價 QT-
---------------------------------	--	------------------------------------

信件批核號碼/圖紙參考編號:	批核模具圖紙編號:
客戶指示附件:	管理內部批簽署:

<input type="checkbox"/> 初步鋁料 B.M.	<input type="checkbox"/> 加工拆圖, 然後生產	<input type="checkbox"/> 尺寸表
<input type="checkbox"/> 正式鋁料 B.M.	<input type="checkbox"/> 技術上資料 / 指示	<input type="checkbox"/> 報價
<input type="checkbox"/> 配件 B.M.	<input type="checkbox"/> 樣辦或貨品說明書	<input type="checkbox"/> 分判合約
<input type="checkbox"/> 其他:		

內容: 可按BM表及加工圖加工首3層樣辦層(T1至T6: 2/F, 3/F&5/F) 、(T7至T8: 5/F, 6/F&7/F)

完成上列要求日期: 五月中

**國內**


<input type="checkbox"/> 生產技術總監	<input type="checkbox"/> 連附件	<input type="checkbox"/> 技術部	<input type="checkbox"/> 連附件	<input type="checkbox"/> 生產部	<input type="checkbox"/> 連附件
<input type="checkbox"/> 採購部	<input type="checkbox"/> 連附件	<input type="checkbox"/> 生產統籌部	<input type="checkbox"/> 連附件	<input type="checkbox"/> 報關組	<input type="checkbox"/> 連附件
<input type="checkbox"/> 質檢部	<input type="checkbox"/> 連附件	<input type="checkbox"/> 會計部	<input type="checkbox"/> 連附件	<input type="checkbox"/> 機械設計部	<input type="checkbox"/> 連附件
<input type="checkbox"/> 其他:					

**香港**


<input type="checkbox"/> 行政部	<input type="checkbox"/> 連附件	<input type="checkbox"/> 會計部	<input type="checkbox"/> 連附件	<input type="checkbox"/> 統籌部	<input type="checkbox"/> 連附件	<input type="checkbox"/> 工程部	<input type="checkbox"/> 連附件
<input type="checkbox"/> 採購部	<input type="checkbox"/> 連附件	<input type="checkbox"/> QS部	<input type="checkbox"/> 連附件	<input type="checkbox"/> 地盤管理	<input type="checkbox"/> 連附件	<input type="checkbox"/> 維修部	<input type="checkbox"/> 連附件

*發件人簽署:	<i>M</i>	*組別成員批核簽署:	<i>CP</i>
傳遞編號:	HK- 0661 / n	項目經理簽署:	


訂貨 B/M

 <b>美特鋁質</b> 有限公司 MIDI Aluminium Fabricator Ltd.		工程號: J-857	計算: 黃汉卿	日期: 20/4/2022	送呈: 施哥				
地盤名稱: 啟德6552		核對:	日期:	副本:					
項目類別: 後裝窗		批准:	日期:	A/C Code:					
修改版次:		總計玻璃面積 (平方米): 24.216		此BM依據					
序號	修改內容	玻璃圖號	顏色與類型	厚度 (mm)	玻璃尺寸		數量 (塊)	總面積 (平方米)	備注
					寬度 (mm)	高度 (mm)			
1		AW1-G7-GL1	IGU VISION GLASS 6mm HEAT STRENGTHENED LOW IRON+12AS+10mm TEMPERED LOW IRON WITH LOW-E CLATING ON SURFACE #2 Sample No. R20210930026	28.00	521.5	2374.5	3	3.715	FD門玻璃
						小計	3	3.715	
2		AW1-G8-GL1	LAMINATED GLASS 6mm TEMPEDED CLEAR+1.52PVB+6mm TEMPEDED CLEAR Sample No. R20210902041	13.52	521.5	2374.5	3	3.715	FD門玻璃
3		AW2-G8-GL1		13.52	521.5	2374.5	3	3.715	FD門玻璃
4		AW07-G8-GL1		13.52	496.5	2374.5	3	3.537	FD門玻璃
5		AW09-GL1		13.52	497.0	1096.0	3	1.634	
6		AW08-GL1		13.52	472.0	1292.0	3	1.829	
7		AW19-GL1		13.52	432.5	1498.0	3	1.944	
8		AW19-GL2		13.52	426.5	1498.0	3	1.917	
9		AW19-GL3		13.52	924.0	630.0	3	1.746	
						小計	24	20.037	


訂貨 BM

 <b>美特鋁質</b> 有限公司 MIDI Aluminium Fabricator Ltd.		工程號: J-857	計算: 黃汉卿	日期: 20/4/2022	送呈: 施哥			
地盤名稱: 啟德6552		核對:	日期:	副本:				
項目類別: 後裝窗		批准:	日期:	A/C Code:				
修改版次:		總計玻璃面積 (平方米): 24.216		此BM依據				
BM編號:	修改內容	玻璃圖號	顏色與類型	玻璃尺寸		數量 (塊)	總面積 (平方米)	備注
				厚度 (mm)	寬度 (mm)			
10		AW-GB-GL2	MONOLITHIC GLASS 12mm TEMPERED CLEAR FOR FIXED GLASS BARRIER Sample No. R20211028043	12.00	515.5	300.0	3	0.464
						小計	3	0.464
1). 本表中所有玻璃對角線尺寸偏差要求不超過正負2mm。 2). 本表中所有玻璃要求倒棱角。 3). 本表中不同種類玻璃參照玻璃加工圖加工。 4). 本表中所有強化玻璃均需HEAT SOAK TEST。 5). 本表中所有強化玻璃之入爐方向均以寬度方向進入。 6). 本表中所有玻璃成品送交香港地盤。 7). 本表中所有玻璃成品均需注明室內外面及其玻璃編號，以便識別。								

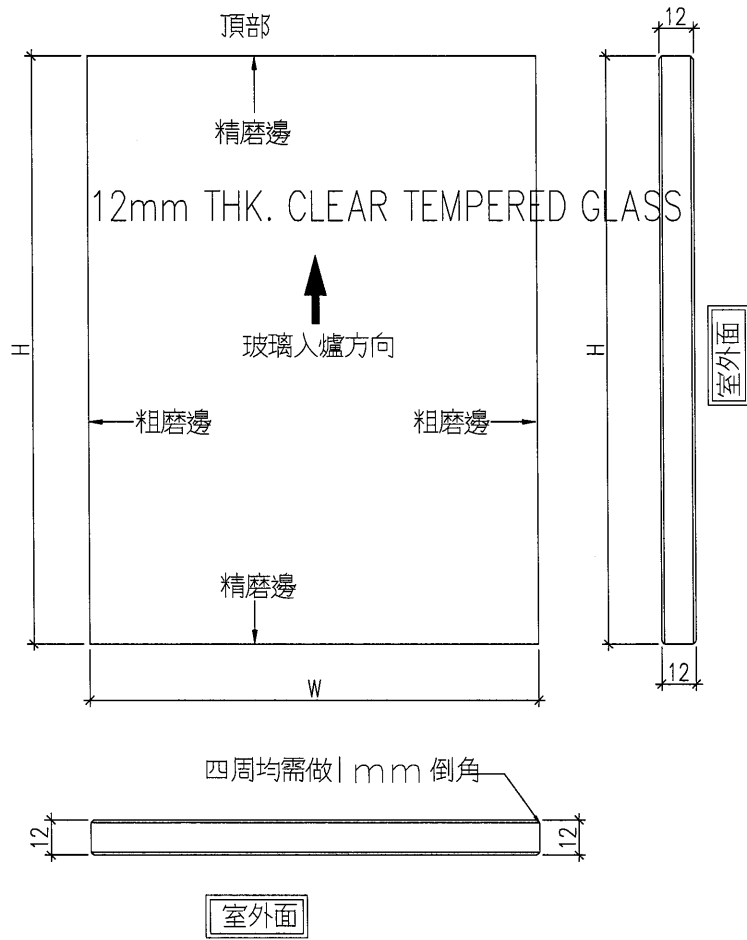
此BM是供參考

		美特鋁質有限公司 MIDI Aluminium Fabricator Ltd.		工程號: J-857	計算: 曾建平	日期: 20/4/2022	送呈: 施哥	
地盤名稱: 啟德6552		項目類別: 後裝窗		核對: 批准:	日期: 日期:	副本: A/C Code:		
BM編號: 修改版次:		總計玻璃面積 (平方米): 24.216		此BM依據				
序號	修改內容	玻璃圖號	顏色與類型	厚度 (mm)	玻璃尺寸		備注	
					寬度 (mm)	高度 (mm)		
1		AW1-G7-GL1	IGU VISION GLASS 6mm HEAT STRENGTHENED LOW IRON+12AS+10mm TEMPERED LOW IRON WITH LOW-E CLATING ON SURFACE #2 Sample No. R20210930026	28.00	521.5	2374.5	3 3.715 FD門玻璃	
2		AW1-G8-GL1	LAMINATED GLASS 6mm TEMPEDED CLEAR+1.52PVB+6mm TEMPEDED CLEAR Sample No. R20210902041	13.52	521.5	小計	3 3.715	
3		AW2-G8-GL1				2374.5	3 3.715	FD門玻璃
4		AW07-G8-GL1				2374.5	3 3.537	FD門玻璃
5		AW09-GL1				1096.0	3 1.634	
6		AW08-GL1				1292.0	3 1.829	
7		AW19-GL1				1498.0	3 1.944	
8		AW19-GL2				1498.0	3 1.917	
9		AW19-GL3				630.0	3 1.746	
						小計	24 20.037	

此BM只供參考

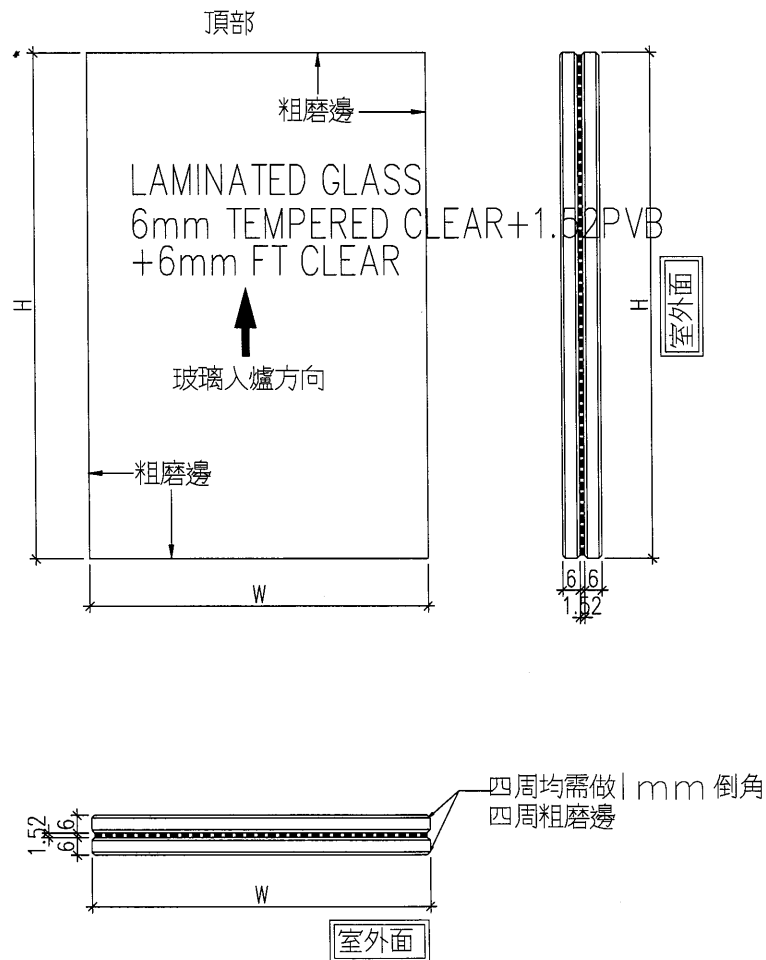
 <b>美特鋁質</b> 有限公司 MIDI Aluminium Fabricator Ltd.		工程號: J-857 地盤名稱: 啟德6552 項目類別: 後裝窗 修改版次:	計算: 曾建平 核對: 批准:	日期: 20/4/2022 日期: 日期:	送呈: 副本: A/C Code:	施哥			
<b>地盤用玻璃B.M.表</b>		總計玻璃面積 (平方米): 24.216		此BM依據					
BM編號:	修改內容	玻璃圖號	顏色與類型	厚度 (mm)	玻璃尺寸		數量 (塊)	總面積 (平方米)	備注
					寬度 (mm)	高度 (mm)			
10		AW-GB-GL2	MONOLITHIC GLASS 12mm TEMPERED CLEAR FOR FIXED GLASS BARRIER Sample No. R20211028043	12.00	515.5	300.0	3	0.464	
						小計	3	0.464	
1). 本表中所有玻璃對角線尺寸偏差要求不超過正負2mm。 2). 本表中所有玻璃要求倒棱角。 3). 本表中不同種類玻璃參照玻璃加工圖加工。 4). 本表中所有強化玻璃均需HEAT SOAK TEST。 5). 本表中所有強化玻璃之入爐方向均以寬度方向進入。 6). 本表中所有玻璃成品送交香港地盤。 7). 本表中所有玻璃成品均需注明室內外面及其玻璃編號，以便識別。									

 <b>美特鋁質</b> 有限公司 MIDI Aluminium Fabricator Ltd.				類別		物料號	
修改	-	-		制圖	HHQ	2022.4.20	圖號 J857-G1
日期	-	-		復核	WLQ	2022.4.20	數量
				批准			位置



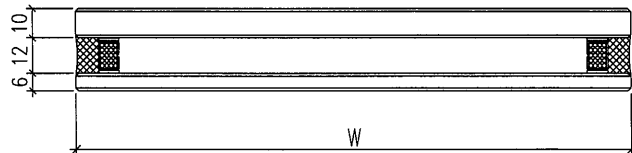
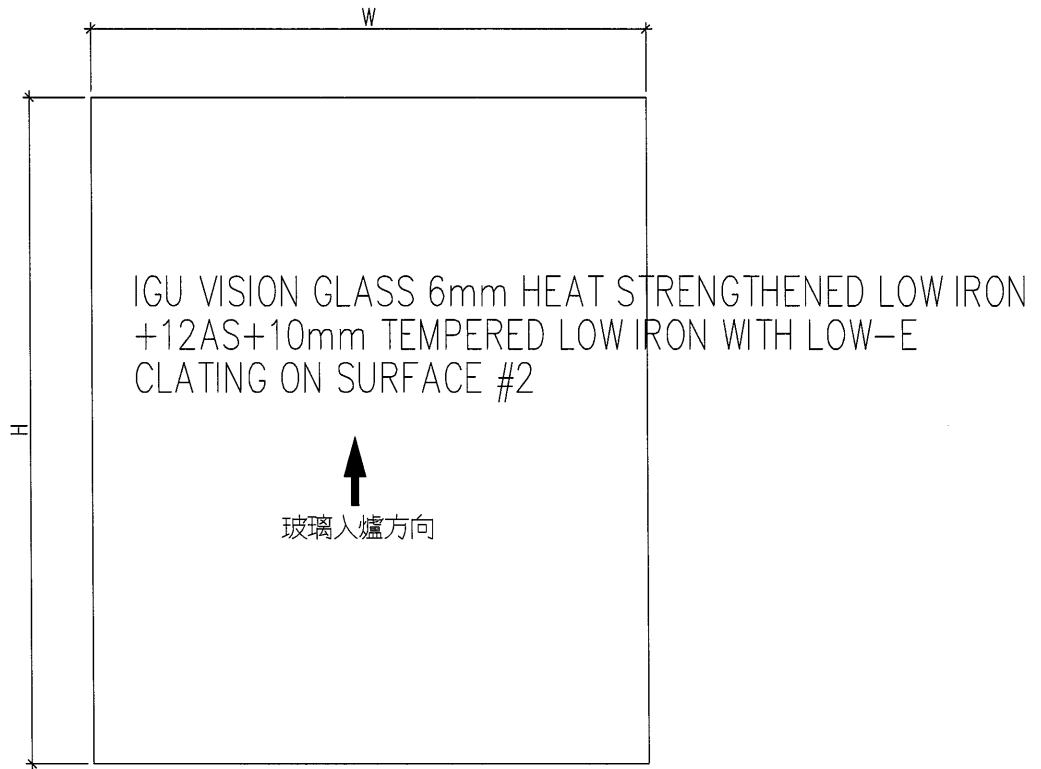
工程號	J-857	地盤	啟德6552	附件
名稱	玻璃加工圖		採用	
材料	-		地盤	
顏色	-		工廠	

 <b>美特鋁質</b> 有限公司 MIDI Aluminium Fabricator Ltd.				類別		物料號	
修改	-	-		制圖	HHQ	2022.4.20	圖號 J857-G2
日期	-	-		復核	WLQ	2022.4.20	數量
				批准			位置



工程號	J-857	地盤	啟德6552	附件
名稱	玻璃加工圖		採用	
材料	-		地盤	
顏色	-		工廠	

 美特鋁質 有限公司 MIDI Aluminium Fabricator Ltd.				類別		物料號	
修改	-	-		制圖	HHQ	2022.4.20	圖號 J857-G4
日期	-	-		復核	WLQ	2022.4.20	數量
				批准			位置



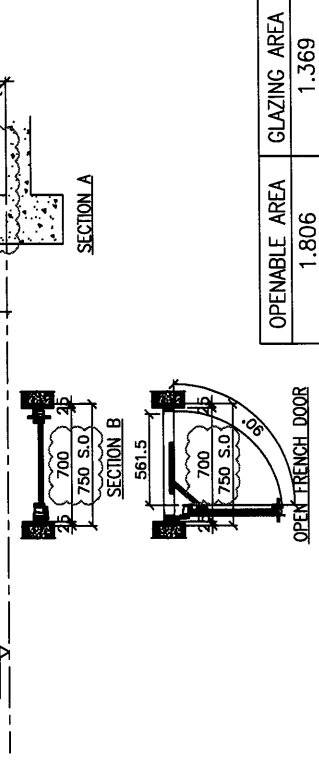
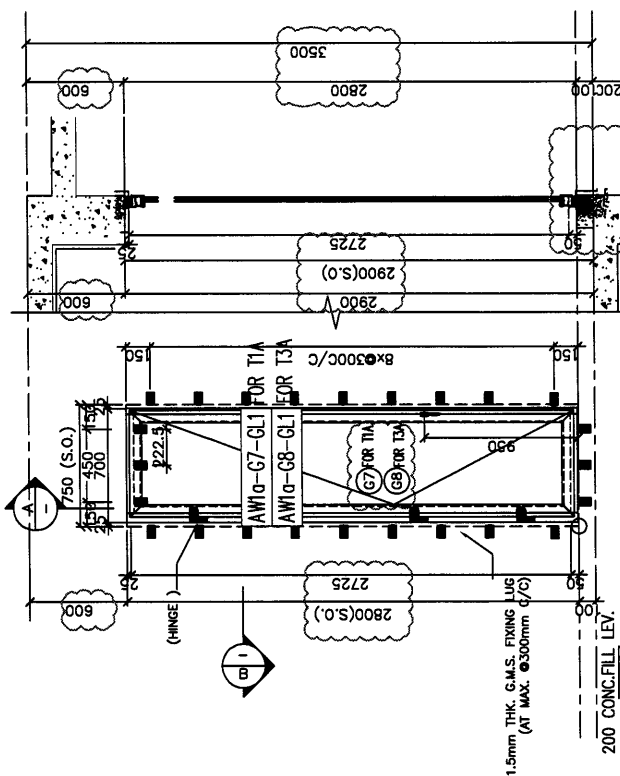
工程號	J-857	地盤	啟德6552	附 件
名稱	玻璃加工圖		採用	
材料	-		地盤	
顏色	-		工廠	

B.A. REF :  
 F.S.D. REF :  
 M.M. :  
 1.M dimensions are in mm.  
 2.M dimensions are viewed from outside.  
 3.M dimensions to be verified on site before construction.  
 GENERAL NOTES :  
 Legend :  
 1. F.F.L. — Finished Floor Level  
 2. S.F.L. — Structural Floor Level  
 3. (R) — Rebarbed Detail  
 (X1) — DETAIL MARK NO.  
 (X001) — REFER SHEET NO.

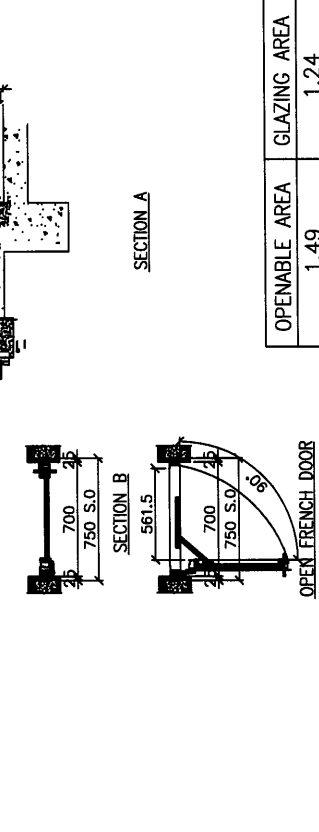
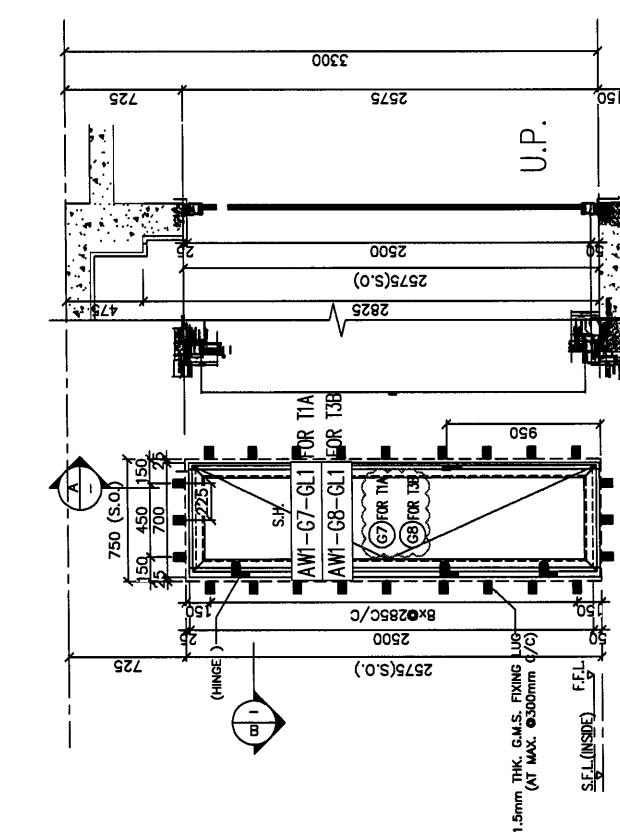
1	REBARBED	REBARBED
2	REBARBED	REBARBED
3	REBARBED	REBARBED
4	REBARBED	REBARBED
5	REBARBED	REBARBED
6	REBARBED	REBARBED
7	REBARBED	REBARBED
8	REBARBED	REBARBED
9	REBARBED	REBARBED
10	REBARBED	REBARBED
11	REBARBED	REBARBED
12	REBARBED	REBARBED
13	REBARBED	REBARBED
14	REBARBED	REBARBED
15	REBARBED	REBARBED
16	REBARBED	REBARBED
17	REBARBED	REBARBED
18	REBARBED	REBARBED
19	REBARBED	REBARBED
20	REBARBED	REBARBED

CLIENT : MARBLE EDGE INVESTMENT LTD.  
 ARCHITECT : RONALDU WAPATINES ARCHITECTURE INTERIOR DESIGNER  
 STRUCTURAL ENGINEER : G.M. MOYNS & ASSOCIATES LTD.  
 WINDOW CONTRACTOR : 裕民建築有限公司  
 美特鋁質有限公司  
 MIDIL Aluminium Extrusion Sdn. Bhd.  
 Unit 6-9, Sunny Industrial Centre, 1/1  
 142, JALAN 111-1, KAWASAN 17777846

PROJECT : PROPOSED RESIDENTIAL DEVELOPMENT AT BAYVIEW LOWFLOOR INLAND LOT, NO.6662  
 TITLE : WINDOW SCHEDULE FOR IN-SITU ALUM. WINDOW  
 JOB NO. : J-857  
 DRAWN BY : AM  
 DATE : 18/02/2021  
 CHECK BY :  
 SCALE : AS SH.  
 DWG. NO. : 1857-WJ-2001  
 REV. : F



OPENABLE AREA	1.806
GLAZING AREA	1.369



OPENABLE AREA	1.49
GLAZING AREA	1.24

WINDOW MARK	AW 10
SECTION :	65mm ALUM. SECTION
QTY.	3 NOS.
LOCATION :	T1 FLAT A M.B.R. AT 33F(GB), T1 FLAT A K.I.T AT 33F(GB) T3 FLAT A KIT AT 33F(G7)
GLAZING	(G7) LAMINATED GLASS 6mm FT CLEAR+1.52PVB+6mm FT CLEAR
REMARK :	

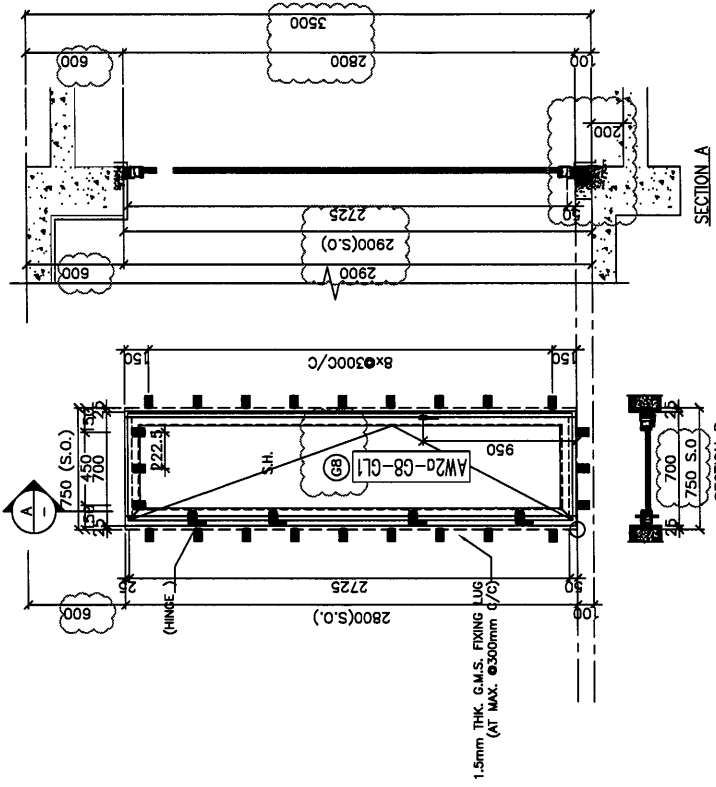
B.D. REF :  
 F.S.D. REF :  
 Note:  
 1. All dimensions are in mm.  
 2. All dimensions are viewed from outside.  
 3. All dimensions to be verified on site before fabrication.

GENERAL NOTES  
 Legend:  
 1. P.F.L.— Finished Floor Level  
 2. S.F.L.— Standard Floor Level  
 3. R.— Recessed Detail  
 DETAIL MARK NO. REFER SHEET NO.  
 X1  
 X001

NO.	DESCRIPTION	BY
1.	ISSUED FOR PERMIT	ARCHITECT
2.	FOR QUOTE	ARCHITECT
3.	FOR FABRICATION	ARCHITECT
4.	FOR CONSTRUCTION	ARCHITECT
5.	FOR RECORD	ARCHITECT

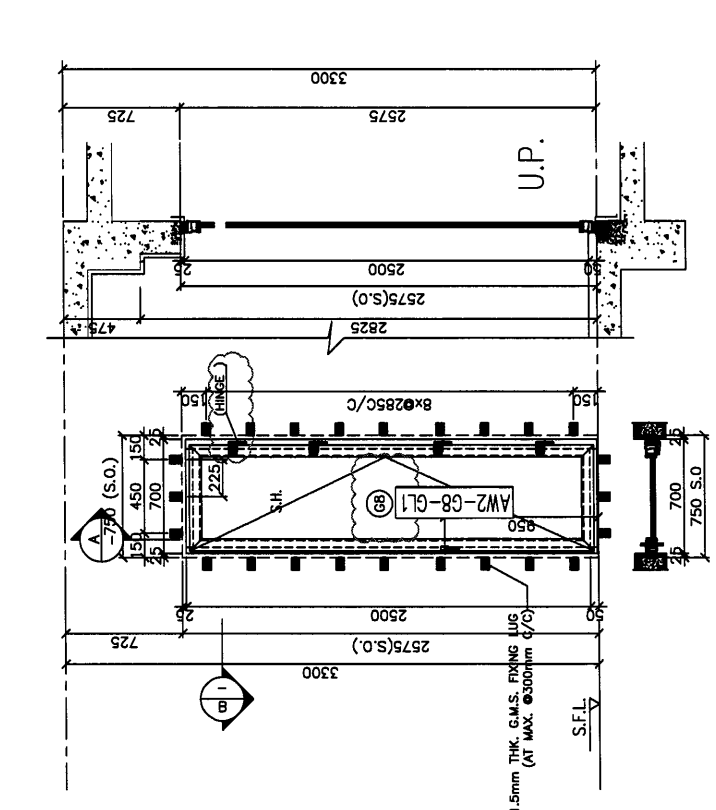
CLIENT : MARBLE EDGE INVESTMENT LTD.  
 ARCHITECT : SHAN LU ARCHITECTS  
 ARCHITECT (HONG KONG) INTERIOR REPAIRS  
 STRUCTURAL ENGINEER : C.H. WONG & ASSOCIATES LTD.  
 WINDOW CONTRACTOR : 裕民建築有限公司  
 美特鋁質有限公司  
 MIDY Aluminium Fabrication Ltd.  
 Unit 8-1, Sunny Industrial Centre, 1/F  
 142-142B, 1/F, Tin Shui Wai  
 NO.6552

PROJECT : PROPOSED RESIDENTIAL DEVELOPMENT DEWILSON INLAND LOT, NO.6552  
 TITLE : WINDOW SCHEDULE FOR IN-SITU ALUM. WINDOW  
 JOB NO. : J-857  
 DRAWN BY : AM  
 DATE : 10.07.2021  
 CHECK BY :  
 SCALE : AS SHD  
 DWG. NO. : JB57-1W-2002  
 REV. : F



OPENABLE AREA	1.806
GLAZING AREA	1.369

OPEN FRENCH DOOR



OPENABLE AREA	1.49
GLAZING AREA	1.24

OPEN FRENCH DOOR

WINDOW MARK	AW 2
SECTION :	65mm ALUM. SECTION
QTY.	50 NOS.
LOCATION :	T6 FLAT A UTILITY RM AT 2F-32F T8 FLAT A UTILITY RM AT 5F-30F
GLAZING	⑧ LAMINATED GLASS 6mm FT CLEAR+1.52PVB+6mm FT CLEAR
REMARK :	

WINDOW MARK	AW 2a
SECTION :	65mm ALUM. SECTION
QTY.	3 NOS.
LOCATION :	T6 FLAT A AT 33F T8 FLAT A AT 31F
GLAZING	⑧ LAMINATED GLASS 6mm FT CLEAR+1.52PVB+6mm FT CLEAR
REMARK :	

D.D. REF :  
 F.S.D. REF :  
 Note:  
 1. All dimensions are in mm.  
 2. All dimensions are viewed from outside.  
 3. All dimensions to be verified on the site before fabrication.

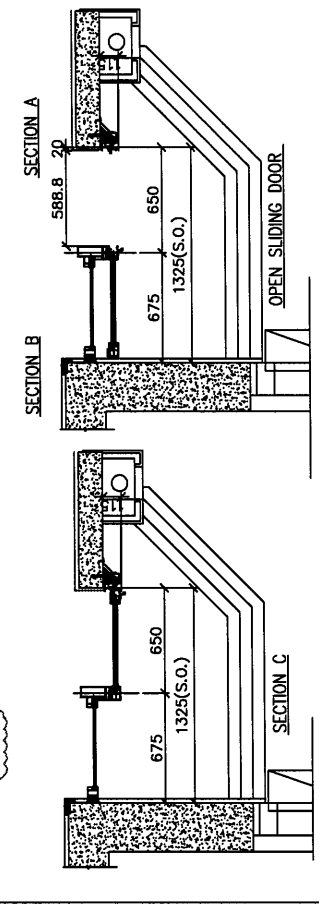
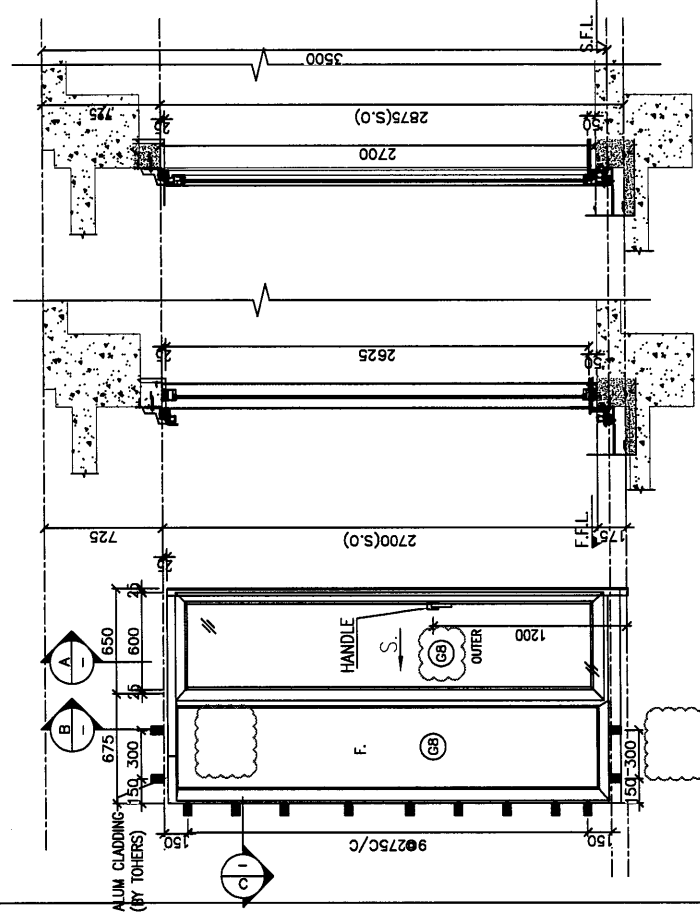
GENERAL NOTES  
 Legend:  
 1. F.F.L. - Finished Floor Level  
 2. S.F.L. - Structural Floor Level  
 3. (R) - Rebarbed Detail  
 4. (X1) - DETAIL MARK NO.  
 5. (X001) - REFER SHEET NO.

NO.	DATE	GENERAL REMARK	BY

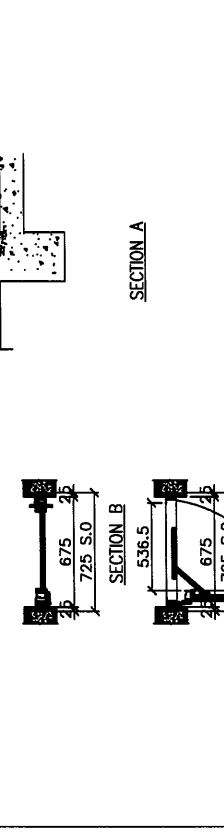
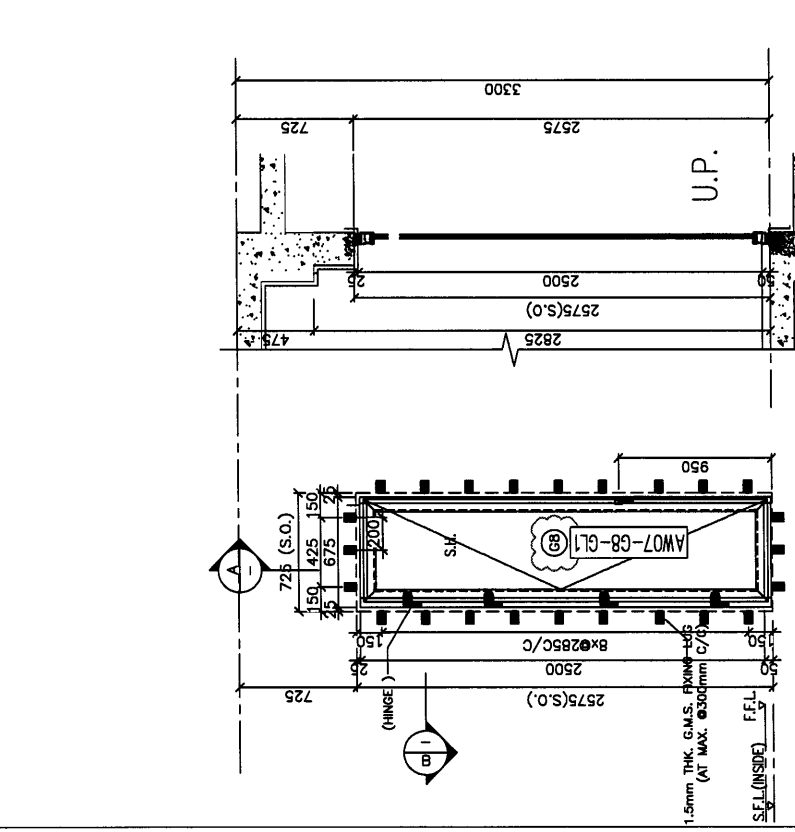
CLIENT : MARBLE EDGE INVESTMENT LTD.  
 ARCHITECT : RONALD LU & PARTNERS  
 ARCHITECT PLANNERS INTERIOR EXTERIOR  
 STRUCTURAL ENGINEER : C M WONG & ASSOCIATES LTD  
 WINDOW CONTRACTOR : 裕民建築有限公司  
 美特鋁業有限公司  
 MIDTI ALUMINIUM FABRICATORS LTD.  
 110, Cheong Chee Road, #04-01, Singapore  
 Tel: 65-63777866

PROJECT : PROPOSED RESIDENTIAL DEVELOPMENT AT NEW KOWLOON INLAND LOT. NO.6552  
 TITLE : WINDOW SCHEDULE FOR IN-SITU ALUM. WINDOW

JOB NO. : J-857  
 DRAWN BY : AM  
 DATE : 06/JUN/2022  
 CHECK BY :  
 SCALE : A1  
 DATE :  
 DWG. NO. : J057/1W/2028  
 REV. : B



OPENABLE AREA	GLAZING AREA
1.554	1.357



OPENABLE AREA	GLAZING AREA
1.43	1.18

WINDOW MARK	SECTION :	QTY.	LOCATION :	GLAZING	REMARK :
AW 06c	65mm ALUM. SECTION	1 NOS.	T1 FLAT B UTILITY RM AT 33F	(R) LAMINATED GLASS 6mm FT CLEAR+1.52PB+6mm FT CLEAR	
AW 07	65mm ALUM. SECTION	23 NOS.	T8 FLAT B UTILITY RM AT 5F-30F	(R) LAMINATED GLASS 6mm FT CLEAR+1.52PB+6mm FT CLEAR	

B.D. REF :  
 F.S.D. REF :  
 DATE :  
 1.M dimensions are in mm.  
 2.M dimensions are viewed from outside.  
 3.M dimensions to be verified on site.  
 4.M dimensions to be verified on site.  
 5.M dimensions to be verified on site.  
 GENERAL NOTES

Legend:  
 1. F.F.A. - Finished Floor Level  
 2. S.F.L. - Structural Floor Level  
 3. N.O. - Noted Detail  
 4. X1 - Detail Mark No.  
 5. V001 - Refer Sheet No.

NO.	REVISION	DATE	BY
1.	ISSUED FOR PERMIT		
2.	ISSUED FOR PERMIT		
3.	ISSUED FOR PERMIT		
4.	ISSUED FOR PERMIT		
5.	ISSUED FOR PERMIT		

CLIENT :  
 MARBLE EDGE INVESTMENT LTD.

ARCHITECT :  
 RONALD LU & PARTNERS  
 REGISTERED ARCHITECTS

STRUCTURAL ENGINEER :  
 C.M. WONG & ASSOCIATES LTD.  
 REGISTERED STRUCTURAL ENGINEERS

MAIN CONTRACTOR :  
 裕民建築有限公司

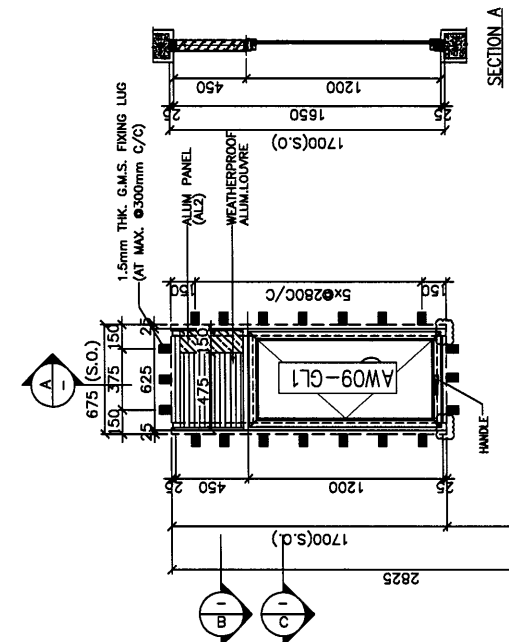
MIDT  
 美特經貿有限公司  
 110, 112, 114, 116, 118, 120, 122, 124, 126, 128, 130, 132, 134, 136, 138, 140, 142, 144, 146, 148, 150, 152, 154, 156, 158, 160, 162, 164, 166, 168, 170, 172, 174, 176, 178, 180, 182, 184, 186, 188, 190, 192, 194, 196, 198, 200, 202, 204, 206, 208, 210, 212, 214, 216, 218, 220, 222, 224, 226, 228, 230, 232, 234, 236, 238, 240, 242, 244, 246, 248, 250, 252, 254, 256, 258, 260, 262, 264, 266, 268, 270, 272, 274, 276, 278, 280, 282, 284, 286, 288, 290, 292, 294, 296, 298, 300, 302, 304, 306, 308, 310, 312, 314, 316, 318, 320, 322, 324, 326, 328, 330, 332, 334, 336, 338, 340, 342, 344, 346, 348, 350, 352, 354, 356, 358, 360, 362, 364, 366, 368, 370, 372, 374, 376, 378, 380, 382, 384, 386, 388, 390, 392, 394, 396, 398, 400, 402, 404, 406, 408, 410, 412, 414, 416, 418, 420, 422, 424, 426, 428, 430, 432, 434, 436, 438, 440, 442, 444, 446, 448, 450, 452, 454, 456, 458, 460, 462, 464, 466, 468, 470, 472, 474, 476, 478, 480, 482, 484, 486, 488, 490, 492, 494, 496, 498, 500, 502, 504, 506, 508, 510, 512, 514, 516, 518, 520, 522, 524, 526, 528, 530, 532, 534, 536, 538, 540, 542, 544, 546, 548, 550, 552, 554, 556, 558, 560, 562, 564, 566, 568, 570, 572, 574, 576, 578, 580, 582, 584, 586, 588, 590, 592, 594, 596, 598, 600, 602, 604, 606, 608, 610, 612, 614, 616, 618, 620, 622, 624, 626, 628, 630, 632, 634, 636, 638, 640, 642, 644, 646, 648, 650, 652, 654, 656, 658, 660, 662, 664, 666, 668, 670, 672, 674, 676, 678, 680, 682, 684, 686, 688, 690, 692, 694, 696, 698, 700, 702, 704, 706, 708, 710, 712, 714, 716, 718, 720, 722, 724, 726, 728, 730, 732, 734, 736, 738, 740, 742, 744, 746, 748, 750, 752, 754, 756, 758, 760, 762, 764, 766, 768, 770, 772, 774, 776, 778, 780, 782, 784, 786, 788, 790, 792, 794, 796, 798, 800, 802, 804, 806, 808, 810, 812, 814, 816, 818, 820, 822, 824, 826, 828, 830, 832, 834, 836, 838, 840, 842, 844, 846, 848, 850, 852, 854, 856, 858, 860, 862, 864, 866, 868, 870, 872, 874, 876, 878, 880, 882, 884, 886, 888, 890, 892, 894, 896, 898, 900, 902, 904, 906, 908, 910, 912, 914, 916, 918, 920, 922, 924, 926, 928, 930, 932, 934, 936, 938, 940, 942, 944, 946, 948, 950, 952, 954, 956, 958, 960, 962, 964, 966, 968, 970, 972, 974, 976, 978, 980, 982, 984, 986, 988, 990, 992, 994, 996, 998, 1000

PROJECT :  
 PROPOSED RESIDENTIAL  
 NEW KOWLOON INLAND LOT,  
 NO. 6552

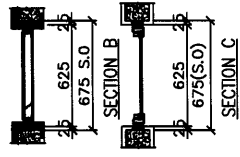
TITLE :  
 WINDOW SCHEDULE FOR  
 IN-SITU ALUM. WINDOW

JOB NO. : J-857  
 DRAWN BY : AM  
 DATE : 18.03.2021  
 CHECK BY :  
 SCALE : A1  
 AS 1:50

DWG. NO. : J857-W-2007  
 REV. : E



S.F.L./200 CONC. FILL LEV. OF STAIRCASE LANDING (WHERE APPLICABLE)



FREE AREA(%)	OPENABLE AREA	GLAZING AREA
56%	0.585	0.52

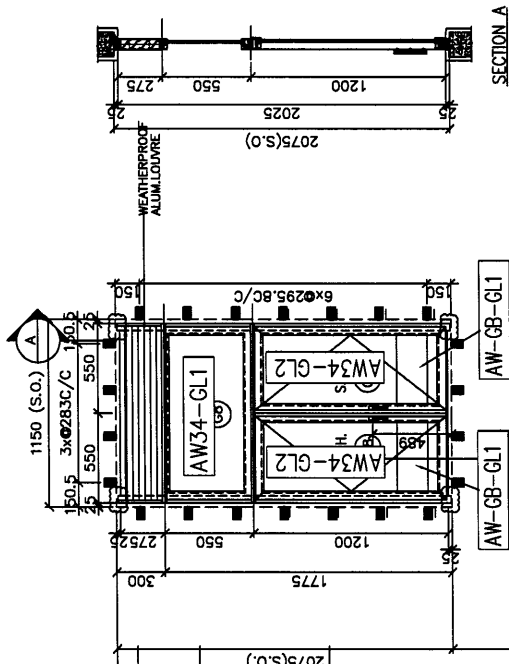
AW 09

65mm ALUM. SECTION

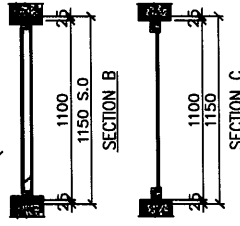
27 NOS.

T1 FLAT B UTILITY RM AT 2F-32F

② LAMINATED GLASS 6mm FT CLEAR+1.52PVB+6mm FT CLEAR



200 CONC. FILL LEV.



FREE AREA(%)	OPENABLE AREA	GLAZING AREA
56%	1.15	1.27

AW 34

65mm ALUM. SECTION

1 NOS.

TOWER L FLAT A KITCHEN AT 6F

② LAMINATED GLASS 6mm FT CLEAR+1.52PVB+6mm FT CLEAR/12mm THK. CLEAR TEMPERED GLASS(G8)

BUL. REF :  
 F.S.D. REF :  
 M.M. :  
 1.M dimensions are in mm.  
 2.M dimensions are viewed from outside.  
 3.M dimensions to be verified on site.  
 4.M dimensions to be verified on site.

GENERAL NOTES  
 Legend:  
 1. F.F.L. - Finished Floor Level  
 2. S.F.L. - Structural Floor Level  
 3. (P) - Proposed Detail  
 (X1) - DETAIL MARK NO.  
 (Y001) - REFER SHEET NO.

NO.	DATE	REVISION
1.	08.03.2021	GENERAL EXAMINE
2.	08.03.2021	GENERAL EXAMINE
3.	08.03.2021	GENERAL EXAMINE
4.	08.03.2021	GENERAL EXAMINE
5.	08.03.2021	GENERAL EXAMINE
6.	08.03.2021	GENERAL EXAMINE
7.	08.03.2021	GENERAL EXAMINE
8.	08.03.2021	GENERAL EXAMINE
9.	08.03.2021	GENERAL EXAMINE
10.	08.03.2021	GENERAL EXAMINE

CLEAR :  
 MARBLE EDGE INVESTMENT LTD.

ARCHITECT :  
**RONALD LUI & PARTNERS**  
 ARCHITECTS / INTERIOR DESIGNERS

STRUCTURAL ENGINEER :  
**C.M. WONG & ASSOCIATES LTD**  
 STRUCTURAL ENGINEERS

MAIN CONTRACTOR :  
 裕民建築有限公司

窗務經理有限公司  
**MIDI**  
 WINDOW SCHEDULE MANAGER LTD.  
 110, G/F, Sunny House, 100, Canton Road, Tsim Sha Tsui, Kowloon, Hong Kong.  
 Tel: (852) 23388111 Fax: (852) 2777766

PROJECT :  
 PROPOSED RESIDENTIAL  
 NEW KOWLOON INLAND LOT.  
 NO.6552

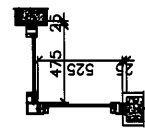
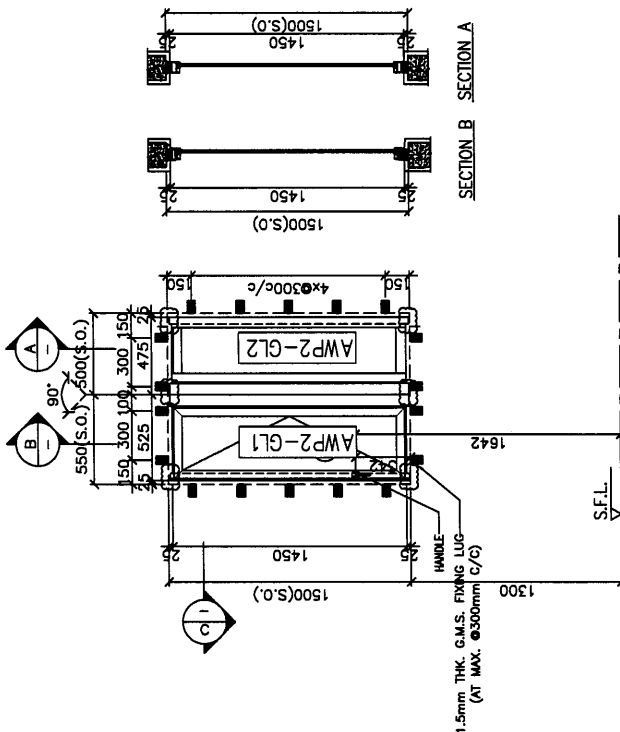
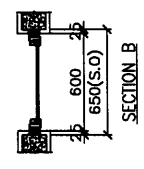
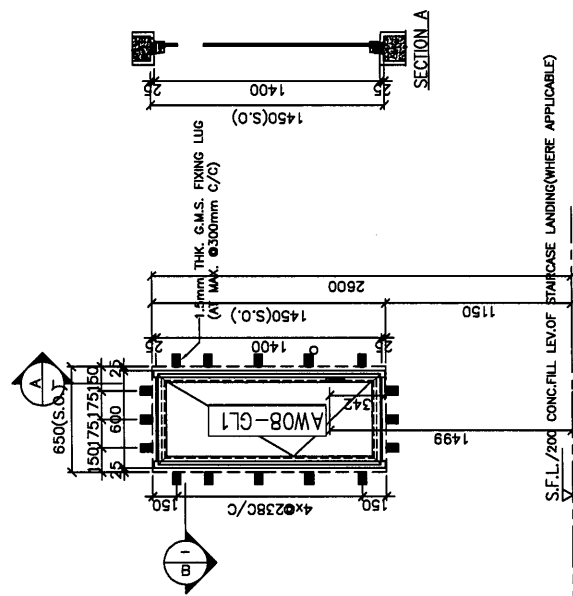
TITLE :  
 WINDOW SCHEDULE FOR  
 IN-SITU ALUM. WINDOW

JOB NO. : J-857

DATE : 18.02.2021

SCALE : A1 : A3 : B3

REV. : D



FREE AREA(%)	OPENABLE AREA	GLAZING AREA
56%	0.688	0.62

OPENABLE AREA	GLAZING AREA
0.53	0.78

WINDOW MARK	AW 08
SECTION :	65mm ALUM. SECTION
QTY.	27 NOS.
LOCATION :	T1 FLAT A M.BATH AT 2F-32F
GLAZING	② LAMINATED GLASS 6mm FT CLEAR+1.52PVB+6mm FT CLEAR
REMARK :	

BLD. REF :  
 F.S.D. REF :  
 DIMS :  
 1.M dimensions are in mm.  
 2.M dimensions are viewed from outside.  
 3.M dimensions to be verified on site before installation.  
 GENERAL NOTES

Legend:  
 1. FFA - Finished Floor Level  
 2. SFL - Structural Floor Level  
 3. ( ) - Reveal Detail  
 X1 - DETAIL MARK NO.  
 Y001 - REFER SHEET NO.

NO.	REVISION	DATE	BY
1.	ISSUED		
2.	REVISED		
3.	REVISED		
4.	REVISED		
5.	REVISED		

CLIENT :  
 MARBLE EDGE INVESTMENT LTD.

ARCHITECT :  
 DENNIS LU & PARTNERS  
 ARCHITECTS (HONG KONG) LIMITED

STRUCTURAL ENGINEER :  
 C M WONG & ASSOCIATES LTD  
 STRUCTURAL ENGINEERS

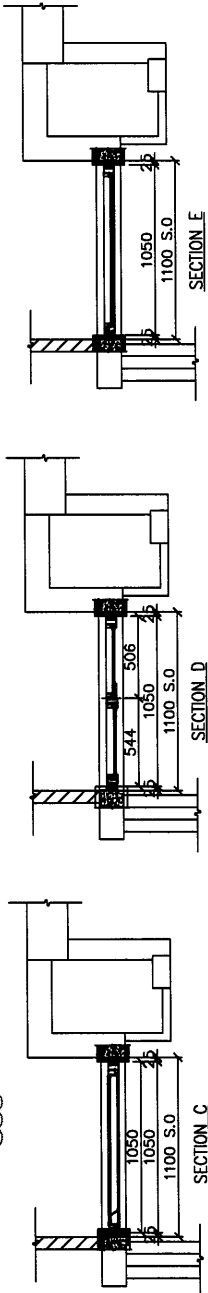
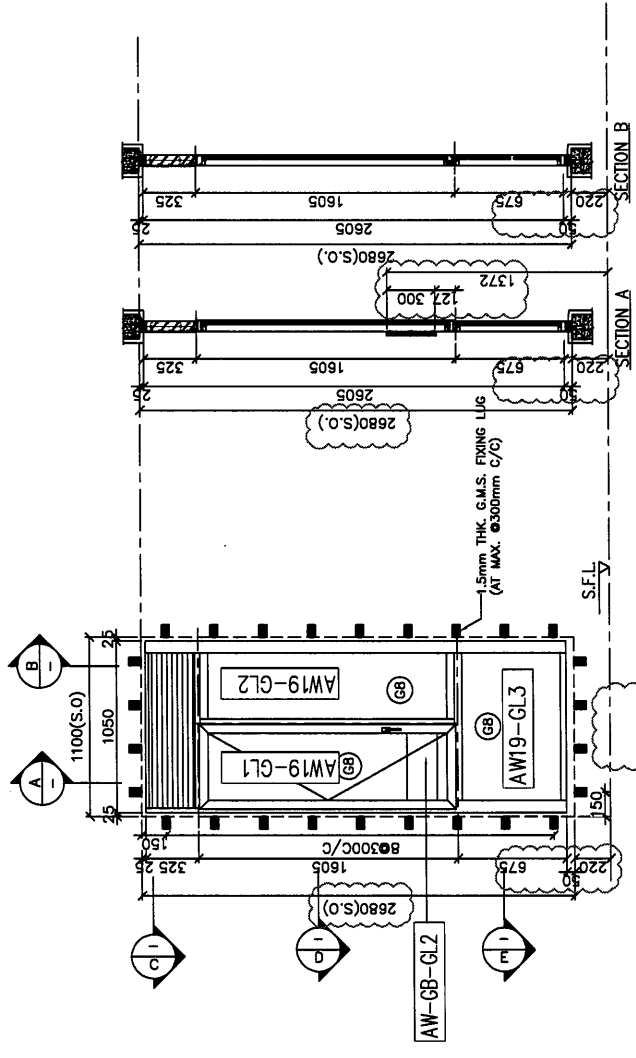
UAW CONTRACTOR :  
 裕民建築有限公司

AW 19  
 MIDY Aluminium Fabrication Ltd.  
 Unit 4-5, Sunny Industrial Centre, 1/F  
 182,318,319,321,322,323,324,325,326,327,328,329,330,331,332,333,334,335,336,337,338,339,340,341,342,343,344,345,346,347,348,349,350,351,352,353,354,355,356,357,358,359,360,361,362,363,364,365,366,367,368,369,370,371,372,373,374,375,376,377,378,379,380,381,382,383,384,385,386,387,388,389,390,391,392,393,394,395,396,397,398,399,400,401,402,403,404,405,406,407,408,409,410,411,412,413,414,415,416,417,418,419,420,421,422,423,424,425,426,427,428,429,430,431,432,433,434,435,436,437,438,439,440,441,442,443,444,445,446,447,448,449,450,451,452,453,454,455,456,457,458,459,460,461,462,463,464,465,466,467,468,469,470,471,472,473,474,475,476,477,478,479,480,481,482,483,484,485,486,487,488,489,490,491,492,493,494,495,496,497,498,499,500,501,502,503,504,505,506,507,508,509,510,511,512,513,514,515,516,517,518,519,520,521,522,523,524,525,526,527,528,529,530,531,532,533,534,535,536,537,538,539,540,541,542,543,544,545,546,547,548,549,550,551,552,553,554,555,556,557,558,559,560,561,562,563,564,565,566,567,568,569,570,571,572,573,574,575,576,577,578,579,580,581,582,583,584,585,586,587,588,589,590,591,592,593,594,595,596,597,598,599,600,601,602,603,604,605,606,607,608,609,610,611,612,613,614,615,616,617,618,619,620,621,622,623,624,625,626,627,628,629,630,631,632,633,634,635,636,637,638,639,640,641,642,643,644,645,646,647,648,649,650,651,652,653,654,655,656,657,658,659,660,661,662,663,664,665,666,667,668,669,670,671,672,673,674,675,676,677,678,679,680,681,682,683,684,685,686,687,688,689,690,691,692,693,694,695,696,697,698,699,700,701,702,703,704,705,706,707,708,709,710,711,712,713,714,715,716,717,718,719,720,721,722,723,724,725,726,727,728,729,730,731,732,733,734,735,736,737,738,739,740,741,742,743,744,745,746,747,748,749,750,751,752,753,754,755,756,757,758,759,760,761,762,763,764,765,766,767,768,769,770,771,772,773,774,775,776,777,778,779,780,781,782,783,784,785,786,787,788,789,790,791,792,793,794,795,796,797,798,799,800,801,802,803,804,805,806,807,808,809,810,811,812,813,814,815,816,817,818,819,820,821,822,823,824,825,826,827,828,829,830,831,832,833,834,835,836,837,838,839,840,841,842,843,844,845,846,847,848,849,850,851,852,853,854,855,856,857,858,859,860,861,862,863,864,865,866,867,868,869,870,871,872,873,874,875,876,877,878,879,880,881,882,883,884,885,886,887,888,889,890,891,892,893,894,895,896,897,898,899,900,901,902,903,904,905,906,907,908,909,910,911,912,913,914,915,916,917,918,919,920,921,922,923,924,925,926,927,928,929,930,931,932,933,934,935,936,937,938,939,940,941,942,943,944,945,946,947,948,949,950,951,952,953,954,955,956,957,958,959,960,961,962,963,964,965,966,967,968,969,970,971,972,973,974,975,976,977,978,979,980,981,982,983,984,985,986,987,988,989,990,991,992,993,994,995,996,997,998,999,1000

PROJECT :  
 PROPOSED RESIDENTIAL  
 NEW LUNGA IN-LAND LOT,  
 NO.6552

TITLE :  
 WINDOW SCHEDULE FOR  
 IN-SITU ALUM. WINDOW

JOB NO. : J-857  
 DRAWN BY : AM  
 DATE : 18.OCT.2021  
 CHECK BY :  
 SCALE : A3 : 3/8  
 DWG. NO. : JB57-W-2013  
 REV. : E



FREE AREA(%)	OPENABLE AREA	GLAZING AREA
56%	0.489	1.8

WINDOW MARK  
 AW 19

SECTION :  
 QTY. : 23 NOS.

LOCATION : TOWER 8 FLAT A KITCHEN AT 5/F-30/F.

GLAZING : 66 LAMINATED GLASS 6mm FT CLEAR+1.52PVB+6mm FT CLEAR

REMARK :