

工程指示 / 要求簡箋(E.I.)

工程指示編號：EI/4403 / 22

修改版次：-

工程編號：J857

工程名稱：啟德 6552

工程項目：後裝趟門 - 大貨地盤用鐵件 (T1-T3 座)

收件人：Maggie Lor (羅小姐)

發件人：Yancy Chen

日期：21/02/2022

□要求提供 / □確認 事項：

- ( ) 初步鋁料 B.M.                      ( ) 加工拆圖，然後生產                      ( ) 尺寸表
- ( ) 正式鋁料 B.M.                      ( ) 技術上資料 / 指示                      ( ) 報價
- ( ) 配件 B.M.                              ( ) 樣辦或貨品說明書                      ( ) 分判合約
- ( ) 其他：\_\_\_\_\_

內容：

請按附件 BM 表和圖紙，生產 G.M.S.鐵件，按地盤通知，送地盤。

廠驗焊： Fillet Weld: 100%目測，10%磁粉。

驗焊報告： 1) 項目名稱： Kai Tak Area 4C Site 2, Kai Tak, Kowloon - N.K.I.L.6552.

2) 位置： Superstructure - Aluminium Sliding Door.

請在 30/04/2022 前完成上列要求。

附： 1+ 27 頁

以上項目為：

- 原合約工程包                       原合約工程加 / 減賬                       新工程報價

原因：-

分發東莞各部門：

- ( )生產技術總監□連附件    ( )技術部    □連附件    ( )生產部    □連附件    ( )機械設計部□連附件
- ( )採購部    □連附件    ( )生產統籌部□連附件
- ( )質檢部    □連附件    ( )會計部    □連附件    ( )報關組    □連附件    ( )其他 \_\_\_\_\_□連附件


分發香港各部門：

- ( )行政部□連附件    ( )會計部□連附件    ( )統籌部□連附件    ( )工程地盤科文    連附件 明
- ( )採購部□連附件    ( )QS 部    □連附件    ( )維修部□連附件    ( )其他 \_\_\_\_\_□連附件

傳遞編號：

發件人簽署：

項目經理簽署：

 <b>美特鋁質</b> 有限公司 MIDI Aluminium Fabricator Ltd.		工程號:	J-857	計算:	ZJP	日期:	18/02/2022	送呈:施哥		
地盤名稱:		啟德6552		核對:		日期:		副本:		
項目類別:		後裝趟門(T1 T2 T3)		批准:		日期:				
BM編號:		修改版次:		A/C Code:		鐵件總重量KG:		1217.58		
BM編號:						鐵件總重量KG:		1217.58		
此BM依據最新施工圖資料計算										
序號	修改內容	鐵件圖號	图纸名稱	顏色	實用	後備	總數	單位	單件重量(kg)	備注
1		J857-FF-01	鐵件加工圖	熱浸鍍鋅+噴瀝青油	84	0	84	件	2.380	199.920
2		J857-FF-01R	鐵件加工圖	熱浸鍍鋅+噴瀝青油	57	0	57	件	2.380	135.660
3		J857-FF-02	鐵件加工圖	熱浸鍍鋅+噴瀝青油	247	0	247	件	1.000	247.000
4		J857-FF-03	鐵件加工圖	熱浸鍍鋅+噴瀝青油	137	0	137	件	1.000	137.000
5		J857-FF-03R	鐵件加工圖	熱浸鍍鋅+噴瀝青油	110	0	110	件	1.000	110.000
6		J857-FF-04	鐵件加工圖	熱浸鍍鋅+噴瀝青油	251	0	251	件	1.000	251.000
7		J857-FF-05	鐵件加工圖	熱浸鍍鋅+噴瀝青油	137	0	137	件	1.000	137.000
8		J857-FF-05R	鐵件加工圖	熱浸鍍鋅+噴瀝青油	110	0	110	件	1.000	110.000
9		J857-FF-06	鐵件加工圖	熱浸鍍鋅+噴瀝青油	83	0	83	件	14.000	1162.000
10		J857-FF-07	鐵件加工圖	熱浸鍍鋅+噴瀝青油	28	0	28	件	6.800	190.400
11		J857-FF-08	鐵件加工圖	熱浸鍍鋅+噴瀝青油	83	0	83	件	12.800	1062.400
12		J857-FF-09	鐵件加工圖	熱浸鍍鋅+噴瀝青油	28	0	28	件	6.200	173.600
13		J857-FF-10	鐵件加工圖	熱浸鍍鋅+噴瀝青油	108	0	108	件	33.000	3564.000
14		J857-FF-11	鐵件加工圖	熱浸鍍鋅+噴瀝青油	40	0	40	件	35.000	1400.000
15		J857-FF-12	鐵件加工圖	熱浸鍍鋅+噴瀝青油	1	0	109	件	3.000	327.000
16		J857-FF-13	鐵件加工圖	熱浸鍍鋅+噴瀝青油	40	0	3	件	3.200	9.600
17					合計:		1023	件	合計:	1217.580
<b>KG</b>										
加工說明		1.所有需燒焊之鐵件均需驗磁粉焊20%,目測100%,除特別注明外,詳見附件8.56-1 2.所有鐵件均需熱浸鍍鋅,材質為Grade S275(BS EN10025 & EN10210) 3.加工成品分三批交地盤,到貨前需提前三至五天聯絡地盤負責人以便安排申請入閘紙及告知來貨詳情								

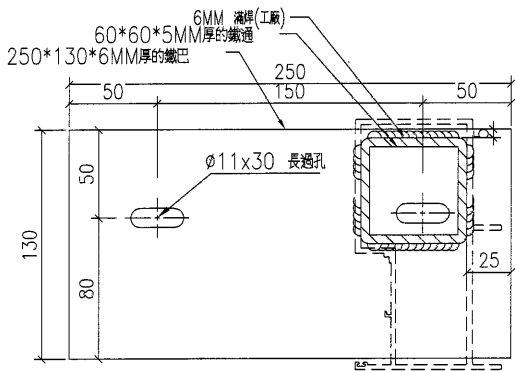
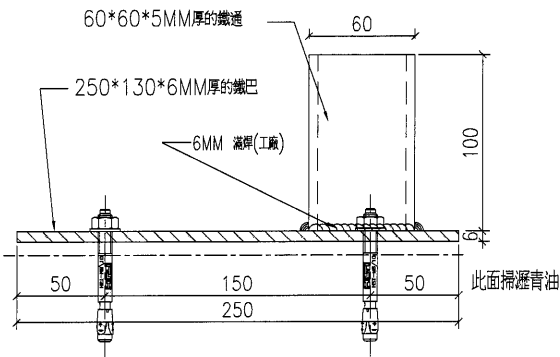


# EG-DWG3


**美特鋁質** 有限公司  
 MIDI Aluminium Fabricator Ltd.

工程號 | J857 | 地盤 | 啓德6552

窗號	座數	單位	樓層	數量
SD-01	T1	FLAT A	2/F-32/F	27
SD-03	T2	FLAT A	2/F-32/F	27
SD-05	T3	FLAT A	2/F-32/F	27
SD-3A	T2	FLAT A	33/F	1
SD-26	T1	FLAT A	33/F	1
SD-26	T3	FLAT A	33/F	1
			合計：	84



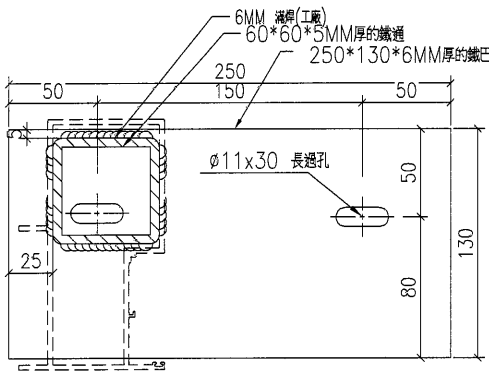
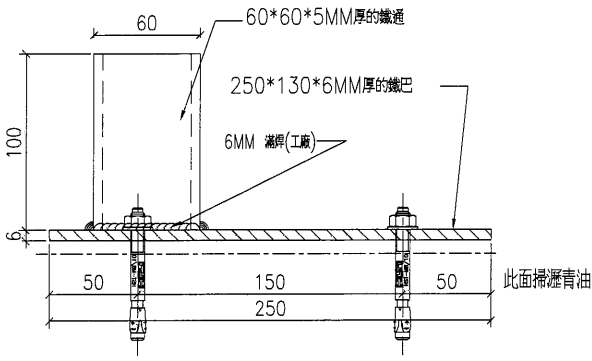
單件重量：2.38KG

名稱	鐵巴加工圖	制圖	ZJP	2022-02-09	修改		
材料	見圖標示	復核			日期		
顏色	熱浸鍍鋅	批准			圖號	J857-FF-01	



美特鋁質 有限公司  
MIDI Aluminium Fabricator Ltd.

工程號 | J857 | 地盤 | 啓德6552



單件重量：2.38KG

窗號	座數	單位	樓層	數量
SD-02	T1	FLAT B	2/F-32/F	27
SD-04	T2	FLAT B	2/F-32/F	27
SD-4A	T2	FLAT B	33/F	1
SD-26	T1	FLAT A	33/F	1
SD-26	T3	FLAT A	33/F	1
			合計：	57

名稱	鐵巴加工圖	制圖	ZJP	2022-02-09	修改		
材料	見圖標示	復核			日期		
顏色	熱浸鍍鋅	批准			圖號	J857-FF-01R	

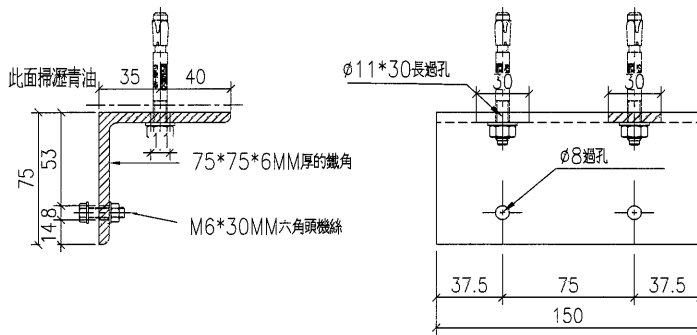
# EG-DWG3



美特鋁質有限公司  
MIDI Aluminium Fabricator Ltd.

工程號 J857 地盤 啓德6552

窗號	座數	單位	樓層	數量
SD-01	T1	FLAT A	2/F-32/F	27
SD-03	T2	FLAT A	2/F-32/F	27
SD-05	T3	FLAT A	2/F-32/F	27
SD-02	T1	FLAT B	2/F-32/F	27
SD-04	T2	FLAT B	2/F-32/F	27
SD-06	T3	FLAT B	2/F-32/F	27
SD-3A	T2	FLAT A	33/F	1
SD-4A	T2	FLAT B	33/F	1
SD-22	T3	FLAT C	2/F-32/F	27
SD-20	T1	FLAT C	3/F-32/F	26
SD-23	T1	FLAT C	33/F	1
SD-21	T3	FLAT D	2/F-32/F	27
SD-24	T3	FLAT D	33/F	1
SD-25	T3	FLAT C	33/F	1
合計:				247



單件重量：1KG

名稱	鐵角加工圖	制圖	ZJP	2022-02-09	修改			
材料	見圖標示	復核			日期			
顏色	熱浸鍍鋅	批准			圖號	J857-FF-02		











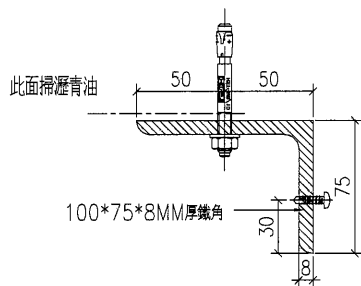
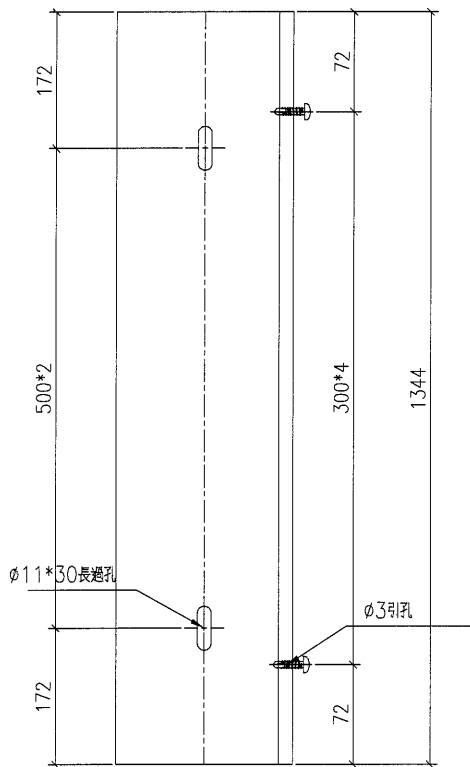
# EG-DWG3



美特鋁質 有限公司  
MIDI Aluminium Fabricator Ltd.

工程號	J857	地盤	啓德6552
-----	------	----	--------

窗號	座數	單位	樓層	數量
AW3	T2	A	2~32F	27
AW3	T3	A	2~32F	27
AW3a	T2	A	33F	1
AW4	T2	B	2~32F	27
AW4a	T2	B	33F	1
			合計:	83



單件重量：14KG

名稱	鐵角加工圖	制圖	ZJP	2022-02-09	修改			
材料	見圖標示	復核			日期			
顏色	熱浸鍍鋅	批准			圖號	J857-FF-06		

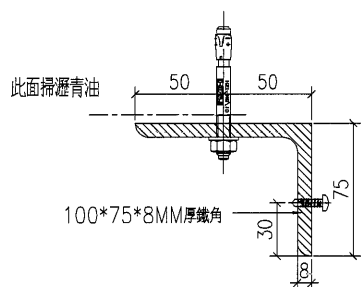
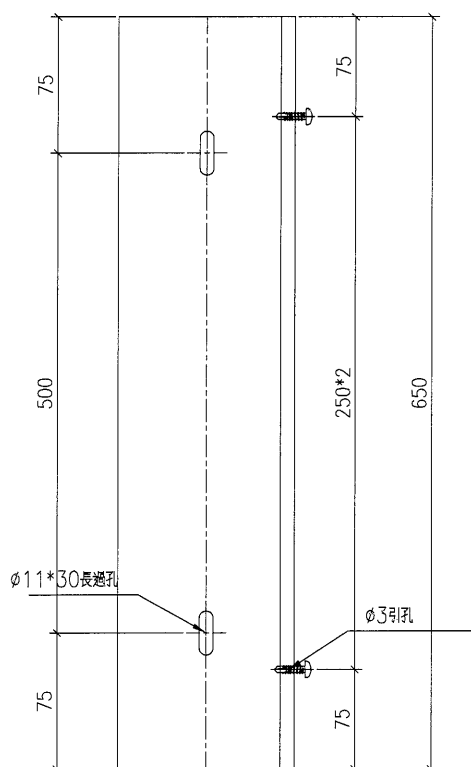
# EG-DWG3



美特鋁質 有限公司  
MIDI Aluminium Fabricator Ltd.

工程號	J857	地盤	啓德6552
-----	------	----	--------

窗號	座數	單位	樓層	數量
AW06	T1	B	2~32F	27
AW06a	T1	B	33F	1
合計：				28



單件重量：6.8KG

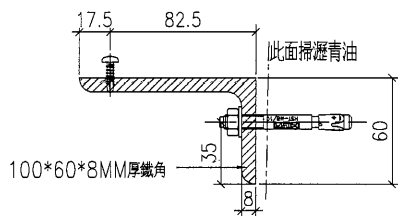
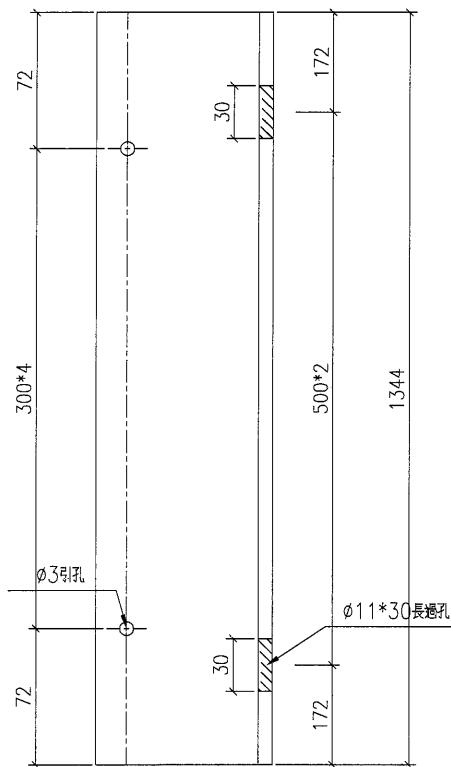
名稱	鐵角加工圖	制圖	ZJP	2022-02-09	修改		
材料	見圖標示	復核			日期		
顏色	熱浸鍍鋅	批准			圖號	J857-FF-07	

# EG-DWG3



美特鋁質 有限公司  
MIDI Aluminium Fabricator Ltd.

工程號	J857	地盤	啓德6552
-----	------	----	--------



單件重量：12.8KG

窗號	座數	單位	樓層	數量
AW3	T2	A	2~32F	27
AW3	T3	A	2~32F	27
AW3a	T2	A	33F	1
AW4	T2	B	2~32F	27
AW4a	T2	B	33F	1
			合計：	83

名稱	鐵角加工圖	制圖	ZJP	2022-02-09	修改		
材料	見圖標示	復核			日期		
顏色	熱浸鍍鋅	批准			圖號	J857-FF-08	

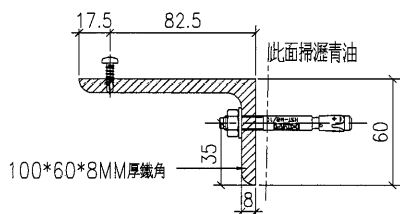
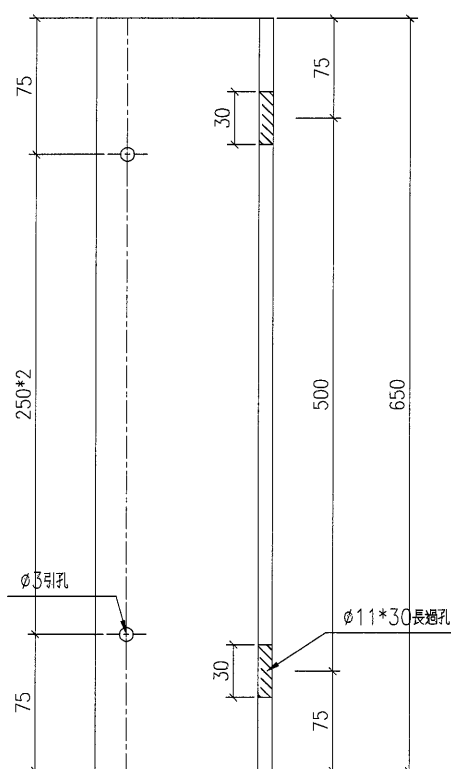
# EG-DWG3



美特鋁質 有限公司  
MIDI Aluminium Fabricator Ltd.

工程號	J857	地盤	啓德6552
-----	------	----	--------

窗號	座數	單位	樓層	數量
AW06	T1	B	2~32F	27
AW06a	T1	B	33F	1
合計：				28



單件重量：6.2KG

名稱	鐵角加工圖	制圖	ZJP	2022-02-09	修改		
材料	見圖標示	復核			日期		
顏色	熱浸鍍鋅	批准			圖號	J857-FF-09	





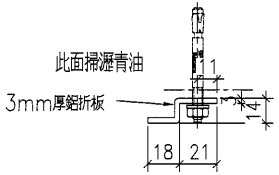
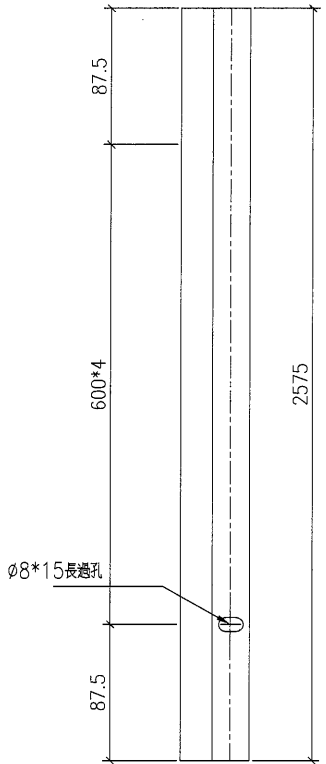
# EG-DWG3



美特鋁質 有限公司  
MIDI Aluminium Fabricator Ltd.

工程號	J857	地盤	啓德6552
-----	------	----	--------

窗號	座數	單位	樓層	數量
AW3	T2	A	2~32F	27
AW3	T3	A	2~32F	27
AW06	T1	B	2~32F	27
AW4	T2	B	2~32F	27
AW4a	T2	B	33F	1
			合計：	109



單件重量：3KG

名稱	鐵巴加工圖	制圖	ZJP	2022-02-09	修改			
材料	見圖標示	復核			日期			
顏色	熱浸鍍鋅	批准			圖號	J857-FF-12		



J857-FF-12

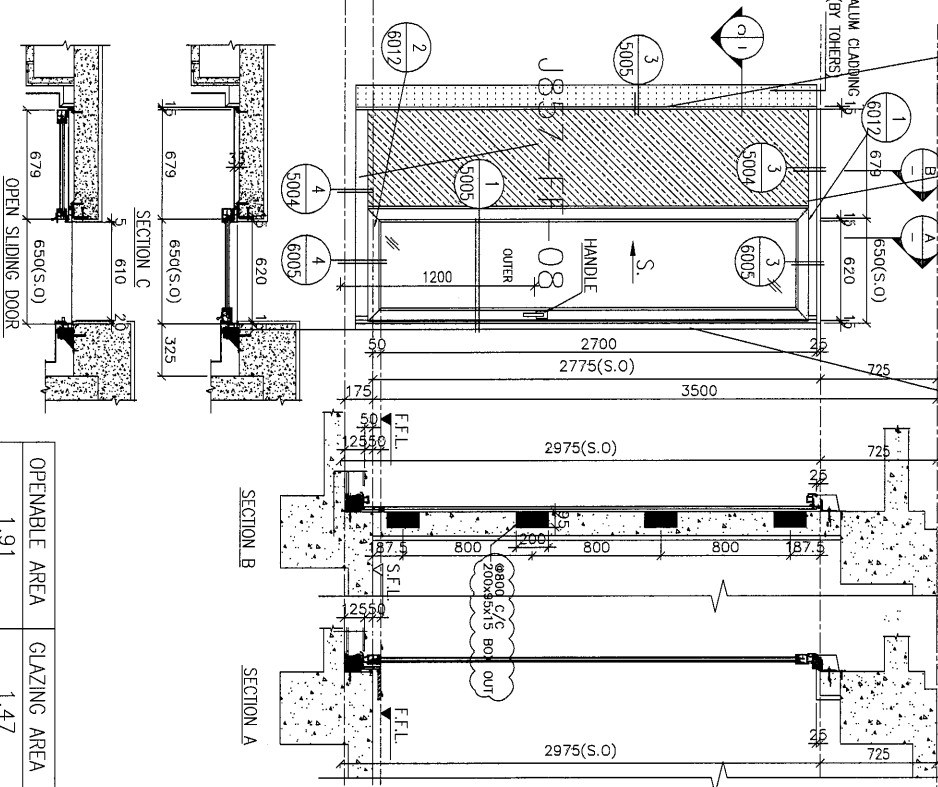
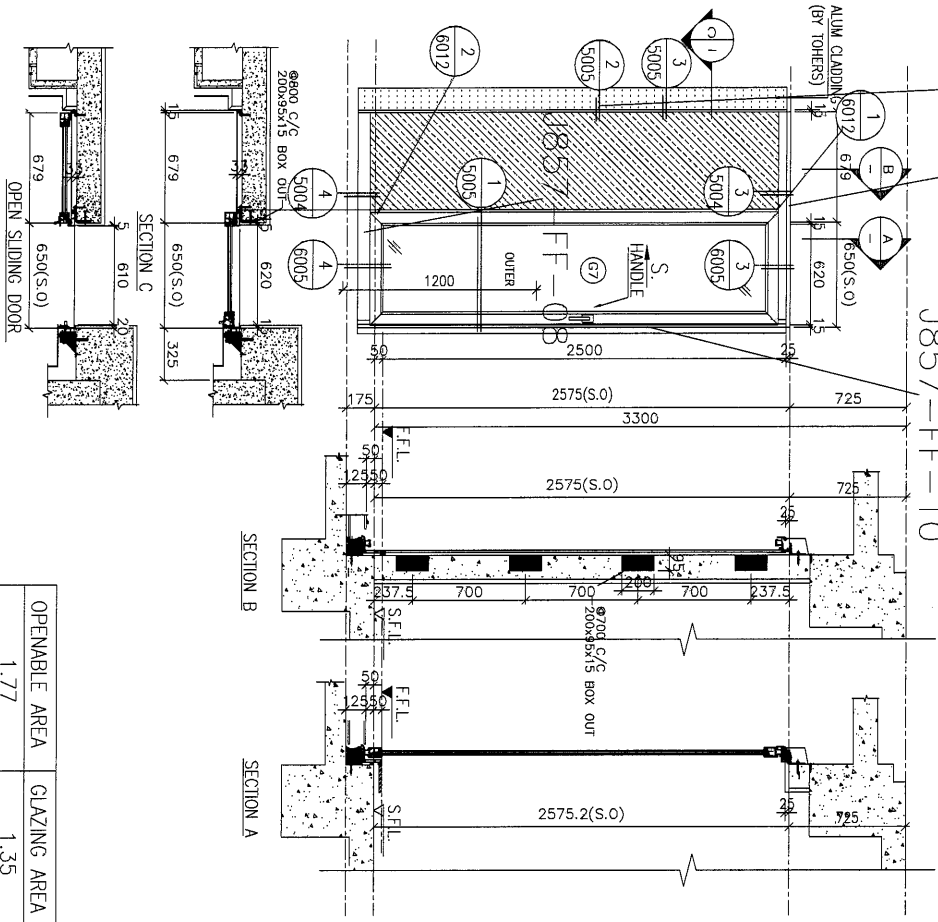
J857-FF-06

J857-FF-10

J857-FF-13

J857-FF-06

J857-FF-11



OPENABLE AREA	1.77
GLAZING AREA	1.35

OPENABLE AREA	1.91
GLAZING AREA	1.47

ISO REF :  
 T/S.D. REF :  
 MARK :  
 1. All dimensions are in mm.  
 2. All dimensions are viewed from outside.  
 3. All dimensions to be verified on site.  
 GENERAL NOTES

Legend :  
 1. F.F.L. - Finished Floor Level  
 2. S.F.L. - Structural Floor Level  
 3. R.F.L. - Retained Level  
 X1 - DETAIL WORK NO.  
 X001 - REFER SHEET NO.

NO.	REVISION
1	GENERAL REVISION
2	GENERAL REVISION
3	GENERAL REVISION
4	GENERAL REVISION
5	GENERAL REVISION
6	GENERAL REVISION
7	GENERAL REVISION
8	GENERAL REVISION
9	GENERAL REVISION
10	GENERAL REVISION
11	GENERAL REVISION
12	GENERAL REVISION
13	GENERAL REVISION
14	GENERAL REVISION
15	GENERAL REVISION
16	GENERAL REVISION
17	GENERAL REVISION
18	GENERAL REVISION
19	GENERAL REVISION
20	GENERAL REVISION
21	GENERAL REVISION
22	GENERAL REVISION
23	GENERAL REVISION
24	GENERAL REVISION
25	GENERAL REVISION
26	GENERAL REVISION
27	GENERAL REVISION
28	GENERAL REVISION
29	GENERAL REVISION
30	GENERAL REVISION
31	GENERAL REVISION
32	GENERAL REVISION
33	GENERAL REVISION
34	GENERAL REVISION
35	GENERAL REVISION
36	GENERAL REVISION
37	GENERAL REVISION
38	GENERAL REVISION
39	GENERAL REVISION
40	GENERAL REVISION
41	GENERAL REVISION
42	GENERAL REVISION
43	GENERAL REVISION
44	GENERAL REVISION
45	GENERAL REVISION
46	GENERAL REVISION
47	GENERAL REVISION
48	GENERAL REVISION
49	GENERAL REVISION
50	GENERAL REVISION
51	GENERAL REVISION
52	GENERAL REVISION
53	GENERAL REVISION
54	GENERAL REVISION
55	GENERAL REVISION
56	GENERAL REVISION
57	GENERAL REVISION
58	GENERAL REVISION
59	GENERAL REVISION
60	GENERAL REVISION
61	GENERAL REVISION
62	GENERAL REVISION
63	GENERAL REVISION
64	GENERAL REVISION
65	GENERAL REVISION
66	GENERAL REVISION
67	GENERAL REVISION
68	GENERAL REVISION
69	GENERAL REVISION
70	GENERAL REVISION
71	GENERAL REVISION
72	GENERAL REVISION
73	GENERAL REVISION
74	GENERAL REVISION
75	GENERAL REVISION
76	GENERAL REVISION
77	GENERAL REVISION
78	GENERAL REVISION
79	GENERAL REVISION
80	GENERAL REVISION
81	GENERAL REVISION
82	GENERAL REVISION
83	GENERAL REVISION
84	GENERAL REVISION
85	GENERAL REVISION
86	GENERAL REVISION
87	GENERAL REVISION
88	GENERAL REVISION
89	GENERAL REVISION
90	GENERAL REVISION
91	GENERAL REVISION
92	GENERAL REVISION
93	GENERAL REVISION
94	GENERAL REVISION
95	GENERAL REVISION
96	GENERAL REVISION
97	GENERAL REVISION
98	GENERAL REVISION
99	GENERAL REVISION
100	GENERAL REVISION

WINDOW MARK :

SECTION : 65mm ALUM. SECTION

QTY : 104 NOS.

LOCATION : T2 FLAT A UTILITY RM AT 2F-31F  
 T5 FLAT A UTILITY RM AT 2F-31F  
 T7 FLAT A UTILITY RM AT 2F-31F  
 T7 FLAT A UTILITY RM AT 5F-30F

GLAZING : IGL VISION GLASS 6mm HS LOW IRON+12AS+10mm FT LOW IRON WITH LOW-E CLATING ON SURFACE #2

REMARK :

WINDOW MARK :

SECTION : 65mm ALUM. SECTION

QTY : 3 NOS.

LOCATION : T2 FLAT A UTILITY RM AT 33F  
 T5 FLAT A UTILITY RM AT 33F  
 T7 FLAT A UTILITY RM AT 31F

GLAZING : IGL VISION GLASS 6mm HS LOW IRON+12AS+10mm FT LOW IRON WITH LOW-E CLATING ON SURFACE #2

REMARK :

ARCHITECT :

STRUCTURAL ENGINEER :

MAIN CONTRACTOR : 裕民建设有限公司

PROJECT : 美特经贸有限公司  
 MIDY (MIDY) COMMERCIAL DEVELOPMENT LTD.  
 11th & 9th Storey, Inland Centre, 1/F  
 810 Chiu Sha Kwan Road, Kowloon  
 Tel: 23898211-4 Fax: 23898277/277666

PROPOSED RESIDENTIAL DEVELOPMENT AT NEW KOWLOON INLAND LOT, NO.6552

TITLE : WINDOW SCHEDULE FOR IN-SITU ALUM. WINDOW

JOB NO. : J-857

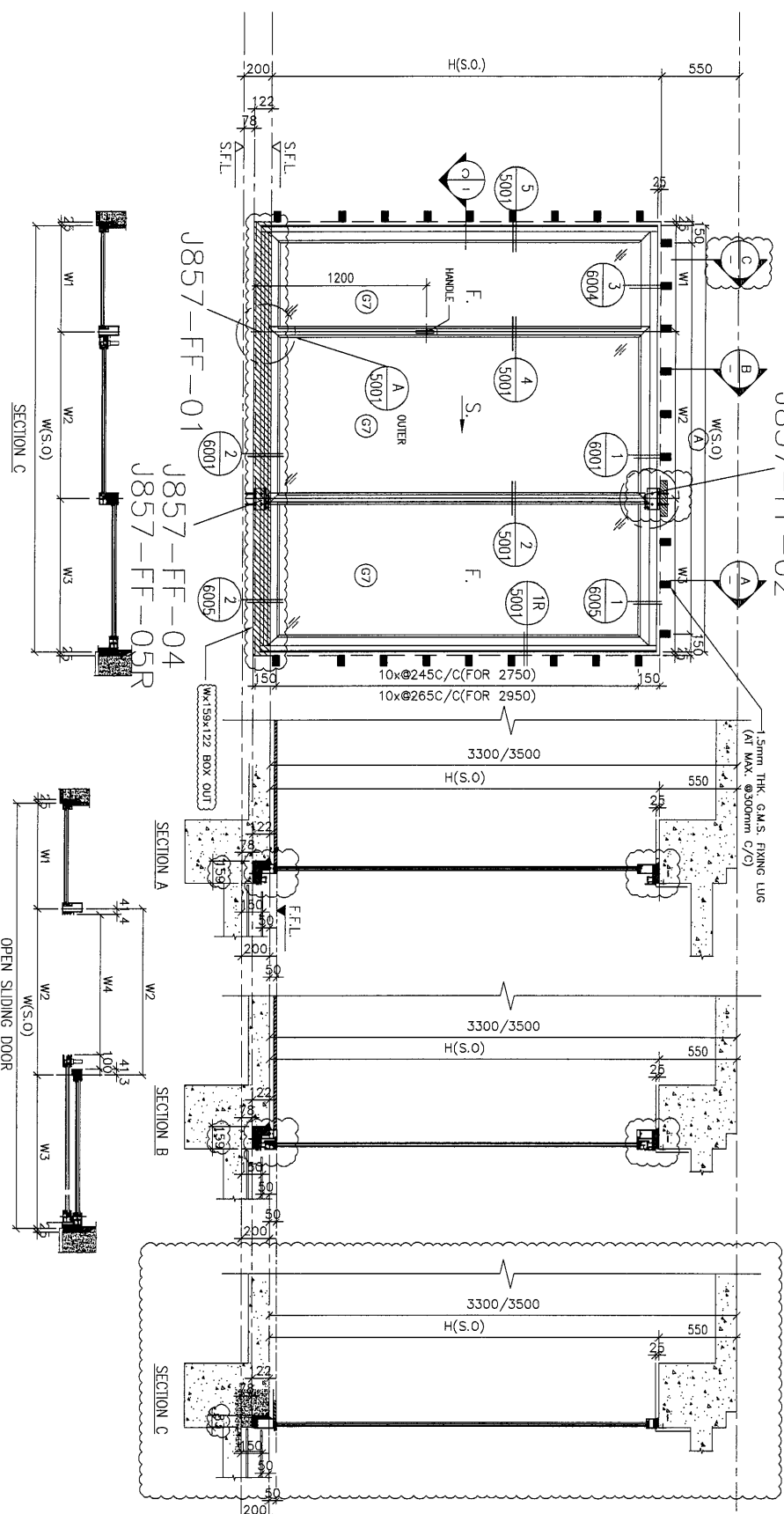
DRAWN BY : AM DATE : 18.OCT.2021

CHECK BY : SCALE : AS SHD

PROJECT NO. : J857-INV-2003 REV. : 0



J857-FF-03R  
J857-FF-02



S.D. MARK	QTY.	LOCATION		H(S.O.)	W(S.O.)	W1	W2	W3	W4	A
		TOWER	FLOOR MARK							
SD-01	27	T1	FLAT A	2750	3775	1186	1341	1248	1158.4	12x@289.5C/C
SD-03	27	T2	FLAT A	2750	3050	820	1161.5	1088.5	978.9	10x@275C/C
SD-05	27	T3	FLAT A	2750	2900	795	1099	1006	916.5	10x@260C/C
SD-07	27	T5	FLAT A	2750	3750	1170	1336.5	1243.5	1153.9	12x@287.5C/C
SD-09	27	T6	FLAT A	2750	2900	795	1099	1006	916.4	10x@260C/C
SD-11	23	T8	FLAT A	2750	2800	745	1074	981	891.4	10x@250C/C
SD-13	23	T8	FLAT A	2750	3625	1136	1291	1198	1108.4	12x@277.1C/C
SD-3A	1	T2	FLAT A	2950	3050	820	1161.5	1088.5	978.9	10x@275C/C
SD-7A	1	T5	FLAT A	2950	3750	1170	1336.5	1243.5	1185.9	12x@287.5C/C
SD-11A	1	T7	FLAT A	2950	2800	745	1074	981	891.4	10x@250C/C
TOTAL	184									

B.O. REF :  
F.S.O. REF :  
Note:  
1. All dimensions are in mm.  
2. All elevations are viewed from outside.  
3. All elevations to be verified on site.  
Show dimensions.  
GENERAL NOTES

Legend:  
1. F.L. - Finished floor level  
2. S.F.L. - Structural floor level  
3. @ - Reserved label  
X1 - DETAIL MARK NO.  
X001 - REFER SHEET NO.

CLIENT :  
MARBLE EDGE INVESTMENT LTD.

ARCHITECT :  
PINALTY LV  
PARTNERS  
ARCHITECTS TRAINERS INTERIORS  
STRUCTURAL ENGINEER :  
CMA  
C M WONG & ASSOCIATES LTD

MAIN CONTRACTOR :  
裕民建築有限公司  
MIDI 美特鋁質有限公司  
MIDI Aluminium Fabrication Ltd.  
Unit 6-8, Sunny Industrial Centre, 1/F  
810 Chin Lee Road, Kowloon  
Tel: 23489271-4 Fax: 23277186

PROJECT :  
PROPOSED RESIDENTIAL  
DEVELOPMENT AT  
NEW KOWLOON INLAND LOT,  
NO.6552  
TITLE :  
LARGE SCHEDULE FOR  
IN-SITU ALUM. WINDOW

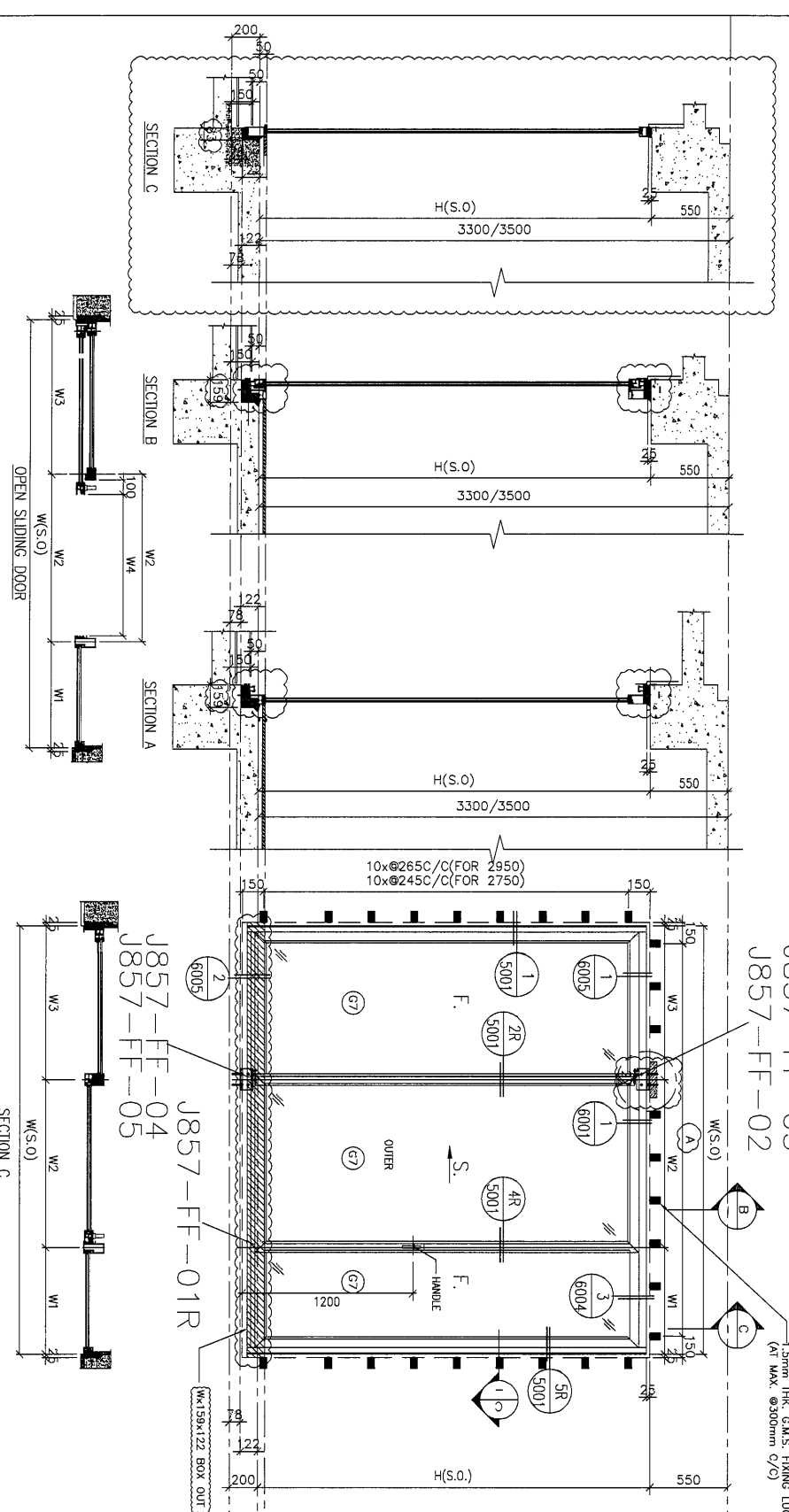
JOB NO. : J-857  
DRAWN BY : AM  
DATE : 18/03/2021  
SCALE : A1 : 1/30  
DWG. NO. : 0857-1W-0201  
REV. : 0

B.O. REF :  
F.S.D. REF :  
Note:  
1. All dimensions are in mm.  
2. All elevations are viewed from outside.  
3. All dimensions to be verified on site before construction.

GENERAL NOTES

J857-FF-03  
J857-FF-02

1.5mm THK. G.M.S. FIXING LUGS  
(AT MAX. @300mm C/C)



S.D. MARK	QTY.	LOCATION				
		TOWER	FLAT	FLOOR MARK	H(S.O)	W(S.O)
SD-02	27	T1	FLAT B	2/F-32/F	2750	3600
SD-04	27	T2	FLAT B	2/F-32/F	2750	2800
SD-06	27	T3	FLAT B	2/F-32/F	2750	2900
SD-08	27	T5	FLAT B	2/F-32/F	2750	3750
SD-10	27	T6	FLAT B	2/F-32/F	2750	2900
SD-12	23	T7	FLAT B	5/F-30/F	2750	3050
SD-14	23	T8	FLAT B	5/F-30/F	2750	3625
SD-4A	1	T2	FLAT B	33/F	2950	2800
SD-8A	1	T5	FLAT B	33/F	2950	3750
SD-12A	1	T7	FLAT B	31/F	2950	3050

TOWER	FLAT	FLOOR MARK	H(S.O)	W(S.O)	W1	W2	W3	W4	A
					1120	1286.5	1193.5	1103.9	11x@300C/C
					745	1074	981	891.4	10x@250C/C
					795	1099	1006	916.4	10x@260C/C
					1170	1336.5	1243.5	1153.9	12x@287.5C/C
					795	1099	1006	916.4	10x@260C/C
					2900	3750	2900	916.4	10x@275C/C
					820	1061.5	1068.5	978.9	10x@275C/C
					3625	1136	1291	1108.4	12x@277.1C/C
					2800	1074	981	891.4	10x@250C/C
					745	1074	981	891.4	10x@250C/C
					1170	1336.5	1243.5	1153.9	12x@287.5C/C
					820	1161.5	1068.5	978.9	10x@275C/C

ARCHITECT :  
**ENNAALP** PVT  
ARCHITECTS & PLANNERS  
ARCHITECTS & PLANNERS, INDIA  
STRUCTURAL ENGINEER :  
**CMA** C M WONG & ASSOCIATES LTD  
MAIN CONTRACTOR :  
**裕民建築有限公司**  
MIDI ASSOCIATES PAPERWORKERS LTD.  
510 Chai Chee Lane, Royal Garden, Kowloon  
Tel: 24249271-4 Fax: 2424771866

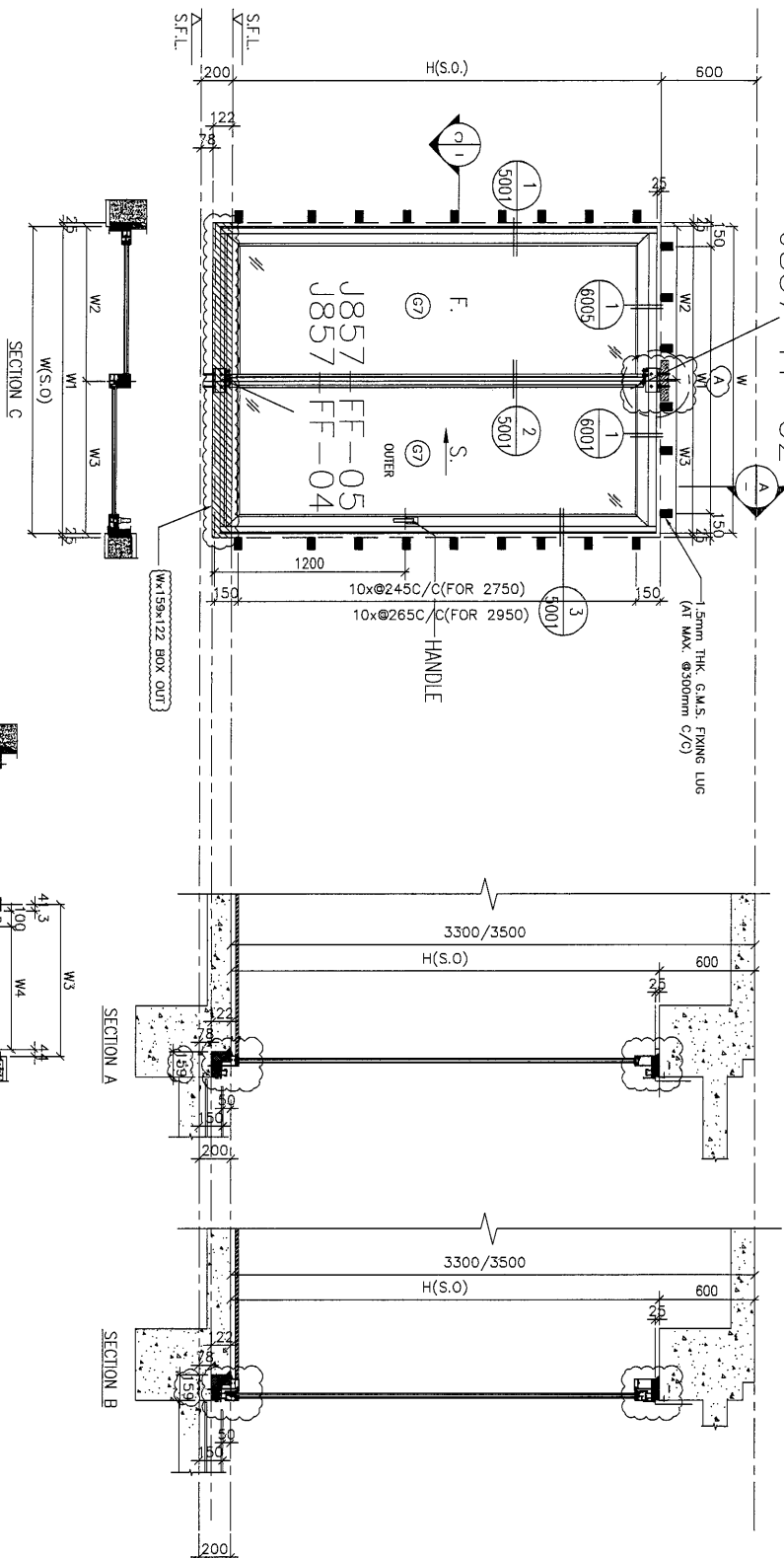
CLIENT :  
**MARBLE EDGE INVESTMENT LTD.**

PROJECT :  
PROPOSED RESIDENTIAL DEVELOPMENT AT NEW KOWLOON INLAND LOT, NO.6552

TITLE :  
LOWRGE SCHEDULE FOR IN-SITU ALUM. WINDOW

JOB NO. : J-957  
DRAWN BY : AN  
DATE : 18/OCT/2021  
SCALE : A1: 1/30  
DWG. NO. : J857-AW-2022  
REV. : 0

J857-FF-03  
J857-FF-02



OPEN SLIDING DOOR

S/D MARK	QTY.	LOCATION				A
		TOWER	FLOOR MARK	H(S.O)	W(S.O)	
SD-20	26	T1	FLAT C 3/F-32/F	2700	2725	8x@296.875C/C
		T3	FLAT D 2/F-32/F	2700	2425	7x@296.4C/C
		T6	FLAT D 2/F-32/F	2700	2425	7x@296.4C/C
SD-21	23	T8	FLAT D 5/F-30/F	2700	2425	7x@296.4C/C
		T11	FLAT C 35/F	2900	2725	8x@296.9C/C
		T13	FLAT D 35/F	2900	2425	7x@296.4C/C
SD-24	1	T6	FLAT D 33/F	2900	2425	7x@296.4C/C
		T16	FLAT D 33/F	2900	2425	7x@296.4C/C
		T18	FLAT D 31/F	2900	2425	7x@296.4C/C
TOTAL	107					

B.O. REF :  
F.S.D. REF :  
Note:  
1. All dimensions are in mm.  
2. All dimensions are viewed from outside.  
3. All dimensions to be verified on site before construction.  
GENERAL NOTES

- Legend:  
1. F.F.L. --- Finished Floor Level  
2. S.F.L. --- Structural Floor Level  
3. C/P --- Reworked Detail
- X1 --- DETAIL MARK NO.  
X001 --- REFS SHEET NO.

NO.	DATE	REVISION
1	20/10/2021	GENERAL REVISION
2	26/10/2021	GENERAL REVISION
3	28/10/2021	GENERAL REVISION

CLIENT : MARBLE EDGE INVESTMENT LTD.

ARCHITECT : **ENRUAL** LV & PARTNERS  
ARCHITECTS (HONG KONG) LIMITED

STRUCTURAL ENGINEER : **CMA** C M WONG & ASSOCIATES LTD  
STRUCTURAL ENGINEERS

MAIN CONTRACTOR : 裕民建築有限公司

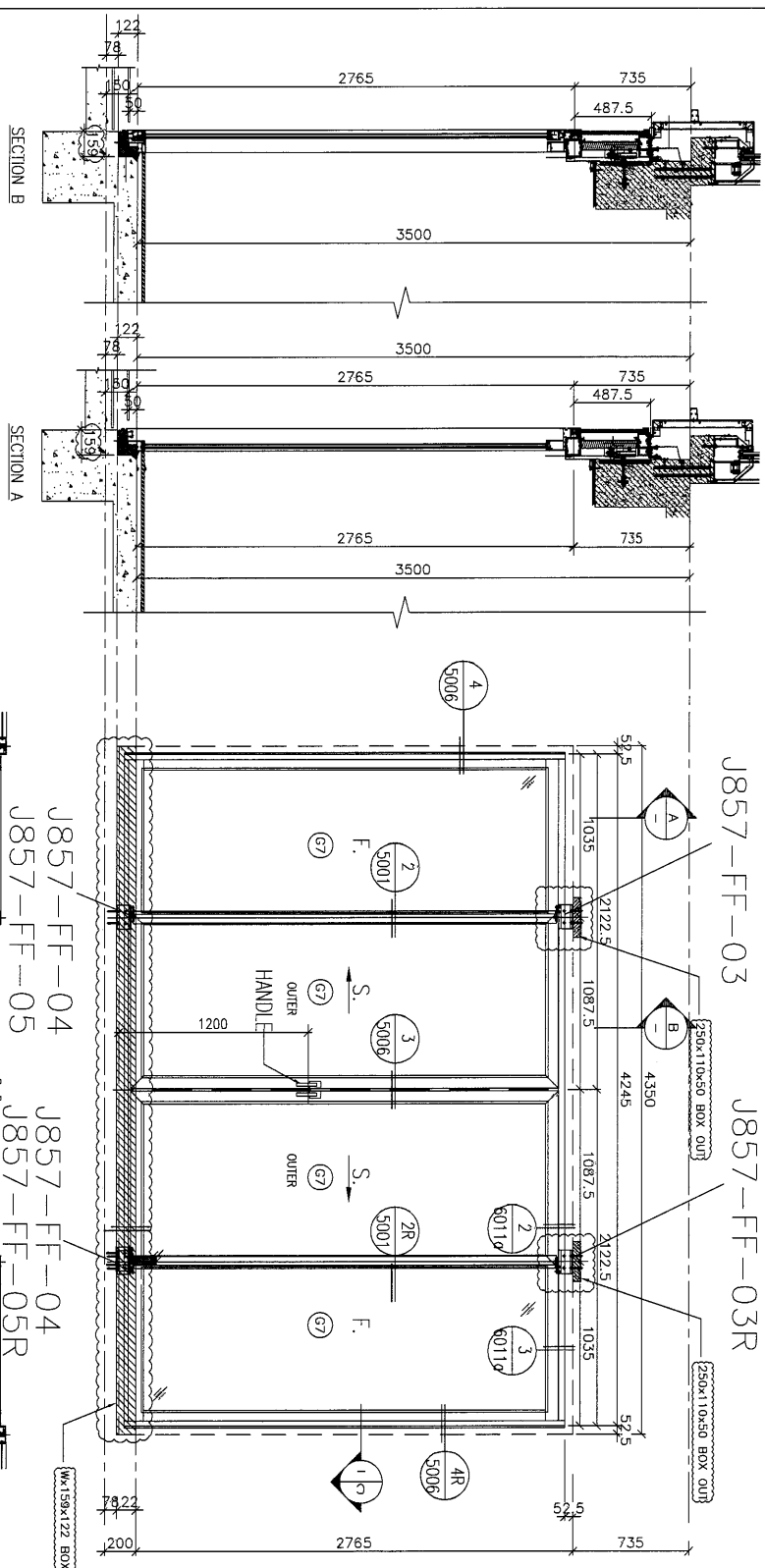
MEP CONTRACTOR : 美特經貿有限公司  
MIDI Aircondition Installation Ltd.  
Unit 6-8, Suning Industrial Centre, 1/F  
610 Cheung Yue Ling Road, Kowloon  
Tel: 23388211-4 Fax: (852) 7721866

PRODUCT : PROPOSED RESIDENTIAL DEVELOPMENT AT NEW KOWLOON INLAND LOT. NO.6552

TITLE : LOBBY SCHEDULE FOR IN-SITU ALUM. WINDOW

JOB NO. : J-857  
DRAWN BY : NI  
DATE : 18/OCT/2021  
SCALE : A1: 1/30  
CHKD BY :  
DWG. NO. : J857-1W-2023  
REV. : 0





R.O. REF :  
 F.S.D. REF :  
 Note:  
 1. All dimensions are in mm.  
 2. All elevations are viewed from outside.  
 3. All elevations to be worked on site  
 unless otherwise stated.

Legend:  
 1. F.L.— Finished Floor Level  
 2. S.F.L.— Structural Floor Level  
 3. Ⓣ — Revised Detail  
 X1 — DETAIL MARK NO.  
 X007 — REFER SHEET NO.

NO.	DATE	REVISION
1	13/10/2021	ISSUED FOR PERMIT
2	13/10/2021	GENERAL REVISION
3	01/11/2021	GENERAL REVISION

CLIENT : MARBLE EDGE INVESTMENT LTD.

ARCHITECT : **ENNAALP LTD**  
 ARCHITECTS IN CHARGE: INDIRA SUBRAMANIAM  
 STRUCTURAL ENGINEER : **CMA**  
**C M WONG & ASSOCIATES LTD**  
 STRUCTURAL ENGINEER

MAIN CONTRACTOR : **裕民建築有限公司**  
**美特经贸有限公司**  
**MIDI** 美特经贸有限公司  
 11th & 8th Street, Island City, 1/F  
 610, Chin Yee Ling Road, Kowloon  
 Tel: 24248271-4 Fax: 24248271778566

PROJECT : PROPOSED RESIDENTIAL DEVELOPMENT AT NEW KOWLOON INLAND LOT, NO.8552

TITLE : LOUVER SCHEDULE FOR IN-SITU ALUM. WINDOW

JOB NO. : J-857

DRAWN BY : AN DATE : 18/01/2021

SCALE : AS SHOWN

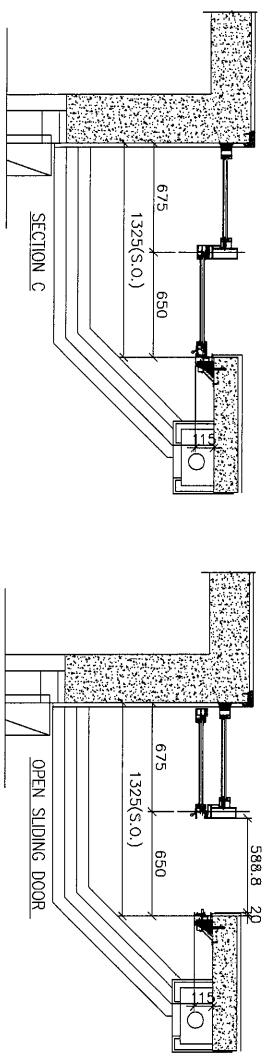
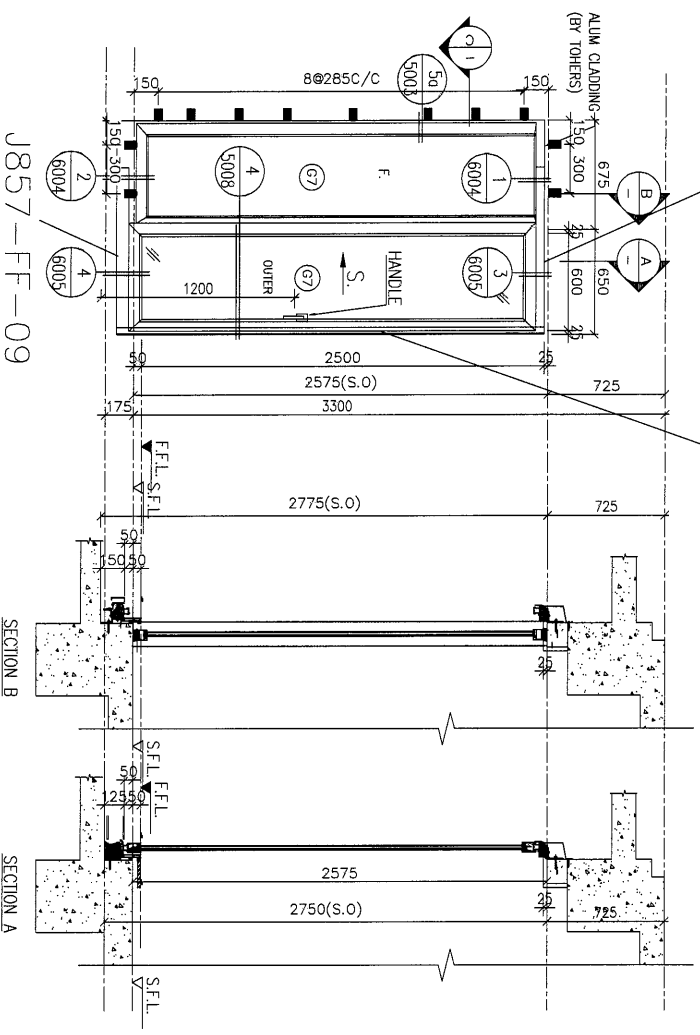
DWG. NO. : 0857-AW-2025 REV. : 0

WINDOW MARK	
SECTION :	141mm ALUM. SECTION
QTY. :	4 NOS.

LOCATION : T1/T3/T6 FLAT A LIV. AT 33F/78 FLAT A LIV. AT 31F  
 GLAZING : ③ IGL VISION GLASS 6mm HS LOW IRON+12AS+10mm FT LOW IRON WITH LOW-E CLADDING ON SURFACE #2

REMARK :

J857-FF-07 J857-FF-10



OPENABLE AREA	GLAZING AREA
1.68	1.31

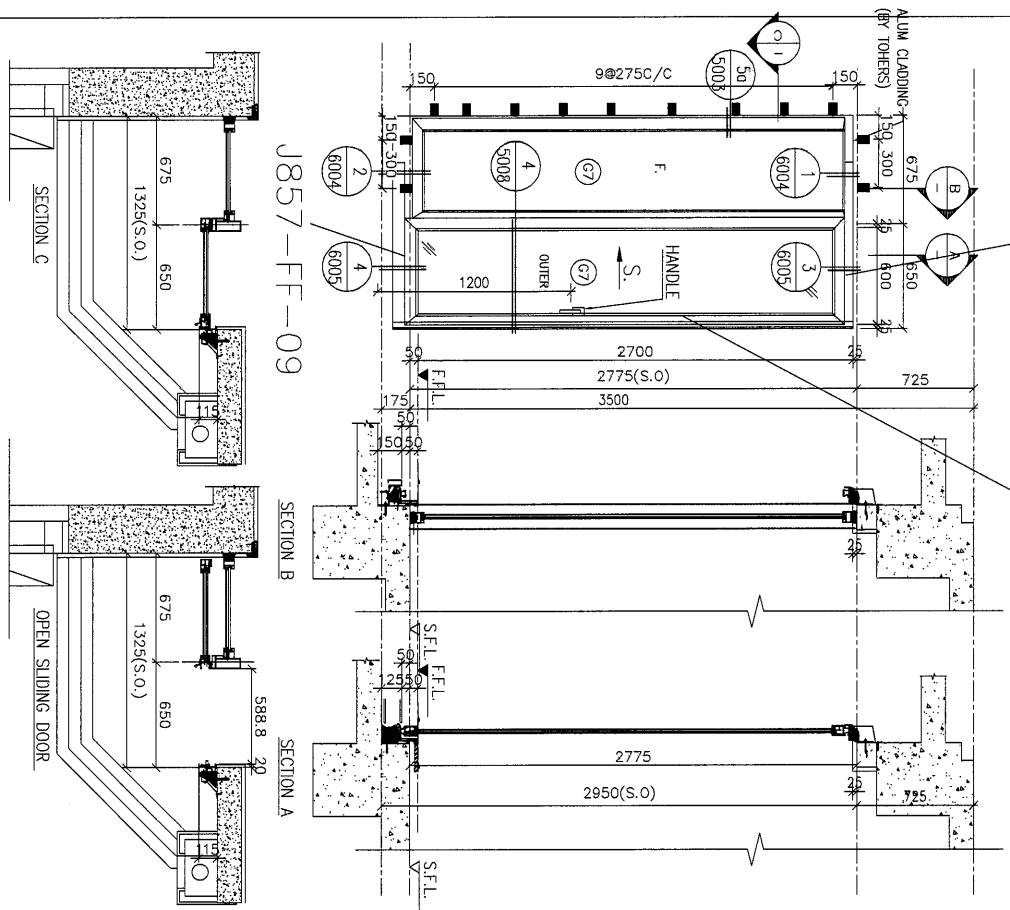
WINDOW MARK	AW 06
SECTION :	65mm ALUM. SECTION
QTY :	27 NOS.
LOCATION :	T1 FLAT B UTILITY RM AT 2F-32F
GLAZING	IGU VISION GLASS 6mm HS LOW IRON+12AS+10mm FT LOW IRON WITH LOW-E CLADDING ON SURFACE #2
REMARK :	

B.L. REF :  
 F.S.D. REF :  
 Note:  
 1. All dimensions are in mm.  
 2. All elevations are viewed from outside.  
 3. All dimensions to be verified on site before construction.  
 GENERAL NOTES

Legend:  
 1. F.F.L. --- Finished Floor Level  
 2. S.F.L. --- Structural Floor Level  
 3. ( ) --- Referred level  
 X1 --- DETAIL MARK NO.  
 X001 --- REFER SHEET NO.

CLIENT :  
 MARBLE EDGE INVESTMENT LTD.  
 ARCHITECT :  
 BENTALL & PARTNERS  
 ARCHITECTS PLANNING INTERIOR DESIGNERS  
 STRUCTURAL ENGINEER :  
 CMA C.M. WONG & ASSOCIATES LTD.  
 MAIN CONTRACTOR :  
 裕民建築有限公司  
 美特銘有限公司  
 MIDDI Aluminium Windows Ltd.  
 Unit 6-8, Sanyo Industrial Centre, 1/F  
 810 Chee Chee Ling Road, Kowloon  
 Tel: 23489211-4 Fax: (852) 2777866  
 Product :  
 PROPOSED RESIDENTIAL  
 DEVELOPMENT AT  
 NEW KOWLOON INLAND LOT,  
 NO.6552  
 WINDOW SCHEDULE FOR  
 IN-SITU ALUM. WINDOW  
 JOB NO. : J-857  
 DRAWN BY : AN  
 DATE : 18/OCT/2021  
 CHECK BY :  
 SCALE : A1:  
 AS 1:30  
 DWG. NO. : J857/IN-2025  
 REV. : -

J857-FF-07 J857-FF-11



BD. REF :  
 F.S.D. REF :  
 Note:  
 1. All dimensions are in mm.  
 2. All dimensions are viewed from outside.  
 3. All dimensions to be verified on site.  
 GENERAL NOTES

Legend :  
 1. F.F.L. --- Finished Floor Level  
 2. S.F.L. --- Structural Floor Level  
 3. (Symbol) --- Staircase Detail  
 (Symbol) --- REIN. MARK NO.  
 (Symbol) --- REFER SHEET NO.

NO.	DATE	REVISION	BY
1	08.10.2022	GENERAL REVISION	
2		REVISED	

CLIENT :  
**MARBLE EDGE INVESTMENT LTD.**

ARCHITECT :  
**PMVA & PARTNERS**  
 ARCHITECTS | FRAMEWORK INVESTMENT SERVICES

STRUCTURAL ENGINEER :  
**CMA C.M WONG & ASSOCIATES LTD**

MAIN CONTRACTOR :  
**裕民建築有限公司**  
**美特堅有限公司**  
**MIDI Aluminium Extrusion Ltd.**  
 Units 6-8, Sangri Industrial Centre, 1/F  
 8111 Chee Koo Yung Road, Yuen Long  
 Tel: (852) 2717-7788

PRODUCT :  
**PROPOSED RESIDENTIAL DEVELOPMENT AT NEW KOWLOON INLAND LOT.**  
 NO.6552

TITLE :  
**WINDOW SCHEDULE FOR IN-SITU ALUM. WINDOW**

JOB NO. : J-857  
 DRAWN BY : AN  
 DATE : 08.JAN.2022  
 CHECK BY :  
 SCALE : A1 : 1/30  
 DWG. NO. : J857/MK/2028  
 REV. : -

IGU VISION GLASS 6mm HS LOW IRON+12AS+10mm FT LOW IRON WITH LOW-E CLATING ON SURFACE #2

65mm ALUM. SECTION  
 1 NOS.  
 T1 FLAT B UTILITY RM AT 33F  
 IGU VISION GLASS 6mm HS LOW IRON+12AS+10mm FT LOW IRON WITH LOW-E CLATING ON SURFACE #2